

NOTE: UNLESS OTHERWISE SPECIFIED

ALL RESISTORS ARE IN OHMS, 0402
 ALL CAPACITORS ARE IN pF, 0402
 ALL INDUCTORS ARE IN nH, 0402

PCA ADDITIONAL PARTS

PCB1	PCB, DC2693A REV02
STNCL1	TOOL, STENCIL, 700-DC2693A REV02
LB1	LABEL

CUSTOMER NOTICE

LINEAR TECHNOLOGY HAS MADE A BEST EFFORT TO DESIGN A CIRCUIT THAT MEETS CUSTOMER-SUPPLIED SPECIFICATIONS; HOWEVER, IT REMAINS THE CUSTOMER'S RESPONSIBILITY TO VERIFY PROPER AND RELIABLE OPERATION IN THE ACTUAL APPLICATION. COMPONENT SUBSTITUTION AND PRINTED CIRCUIT BOARD LAYOUT MAY SIGNIFICANTLY AFFECT CIRCUIT PERFORMANCE OR RELIABILITY. CONTACT LINEAR TECHNOLOGY APPLICATIONS ENGINEERING FOR ASSISTANCE.

APPROVALS

PCB DES.	AK
APP ENG.	WESTON S.

IC NO.
LTC5556IUH

SKU NO.
DC2693A

SIZE: N/A

1630 McCarthy Blvd.
 Milpitas, CA 95035
 Phone: (408)432-1900 www.linear.com
 Fax: (408)434-0507
 LTC Confidential-For Customer Use Only

**TITLE: DEMO CIRCUIT SCHEMATIC,
 DUAL PROGRAMMABLE GAIN MIXER**

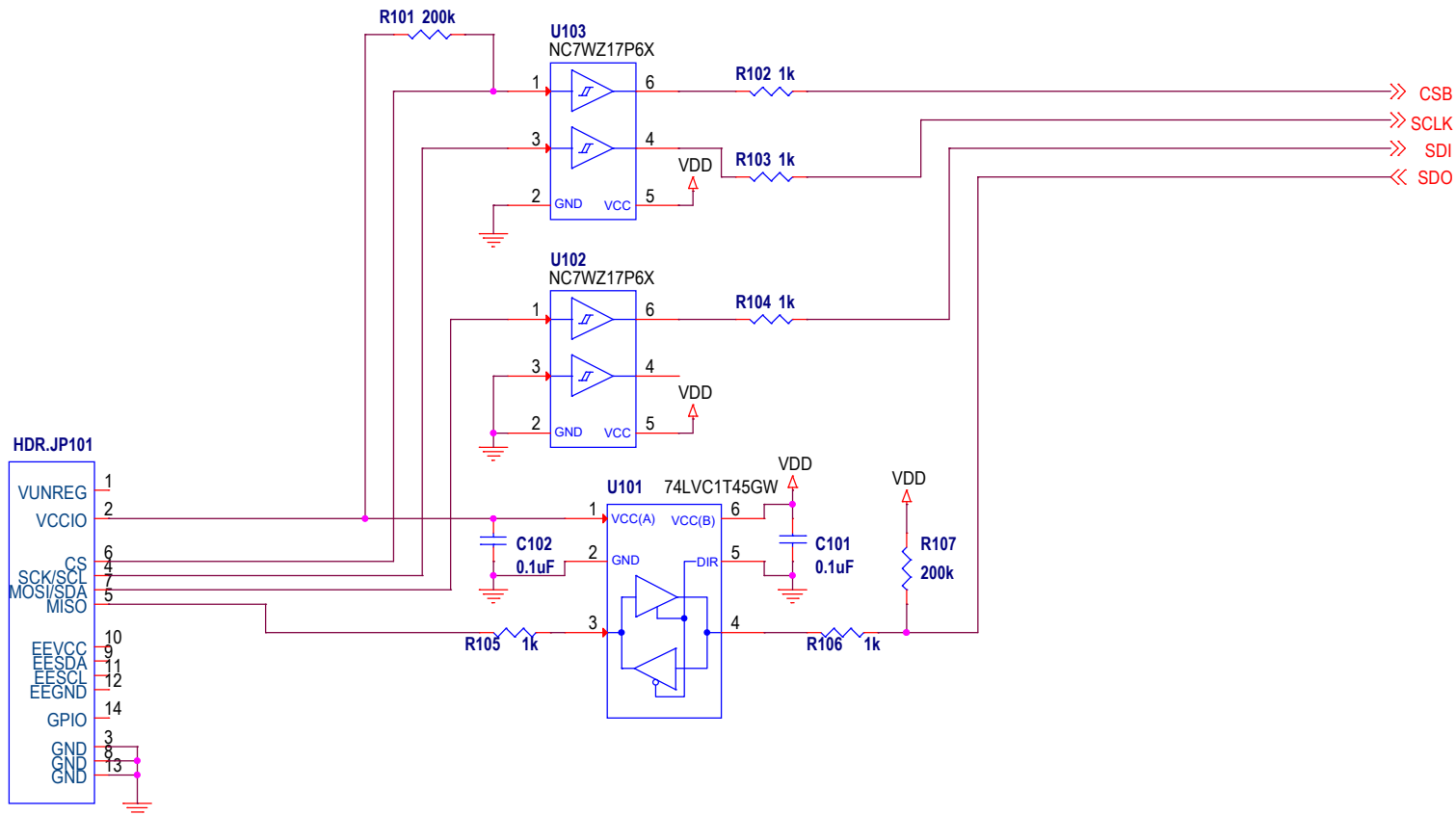
PCA BOM: 700-DC2693A_REV02
 PCA ASS'Y: 705-DC2693A_REV02

SCHEMATIC NO. AND REVISION:
710-DC2693A_REV02

DATE: Thursday, October 19, 2017

SHEET 1 OF 2

THIS CIRCUIT IS PROPRIETARY TO LINEAR TECHNOLOGY AND SUPPLIED FOR USE WITH LINEAR TECHNOLOGY PARTS.



CUSTOMER NOTICE

LINEAR TECHNOLOGY HAS MADE A BEST EFFORT TO DESIGN A CIRCUIT THAT MEETS CUSTOMER-SUPPLIED SPECIFICATIONS; HOWEVER, IT REMAINS THE CUSTOMER'S RESPONSIBILITY TO VERIFY PROPER AND RELIABLE OPERATION IN THE ACTUAL APPLICATION. COMPONENT SUBSTITUTION AND PRINTED CIRCUIT BOARD LAYOUT MAY SIGNIFICANTLY AFFECT CIRCUIT PERFORMANCE OR RELIABILITY. CONTACT LINEAR TECHNOLOGY APPLICATIONS ENGINEERING FOR ASSISTANCE.

THIS CIRCUIT IS PROPRIETARY TO LINEAR TECHNOLOGY AND SUPPLIED FOR USE WITH LINEAR TECHNOLOGY PARTS.

APPROVALS

PCB DES.	AK
APP ENG.	WESTON S.

IC NO.
LTC5556IUH

SKU NO.
DC2693A

SIZE: N/A

SCALE = NONE

DATE: Thursday, October 19, 2017



1630 McCarthy Blvd.
Milpitas, CA 95035
Phone: (408)432-1900 www.linear.com
Fax: (408)434-0507
LTC Confidential-For Customer Use Only

TITLE: DEMO CIRCUIT SCHEMATIC,
DUAL PROGRAMMABLE GAIN MIXER

PCA BOM: 700-DC2693A_REV02
PCA ASS'Y: 705-DC2693A_REV02

SCHEMATIC NO. AND REVISION:
710-DC2693A_REV02

SHEET 2 OF 2