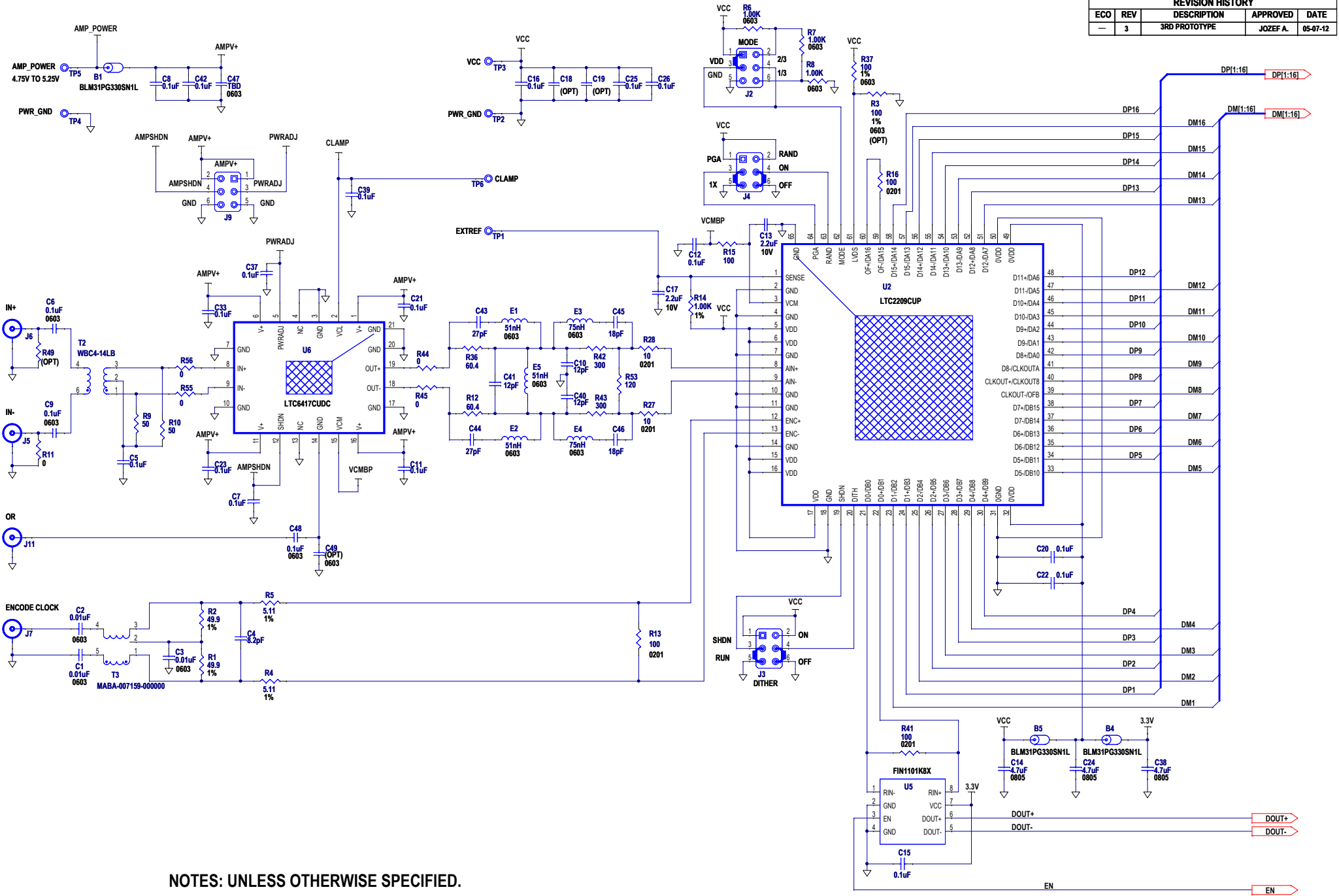


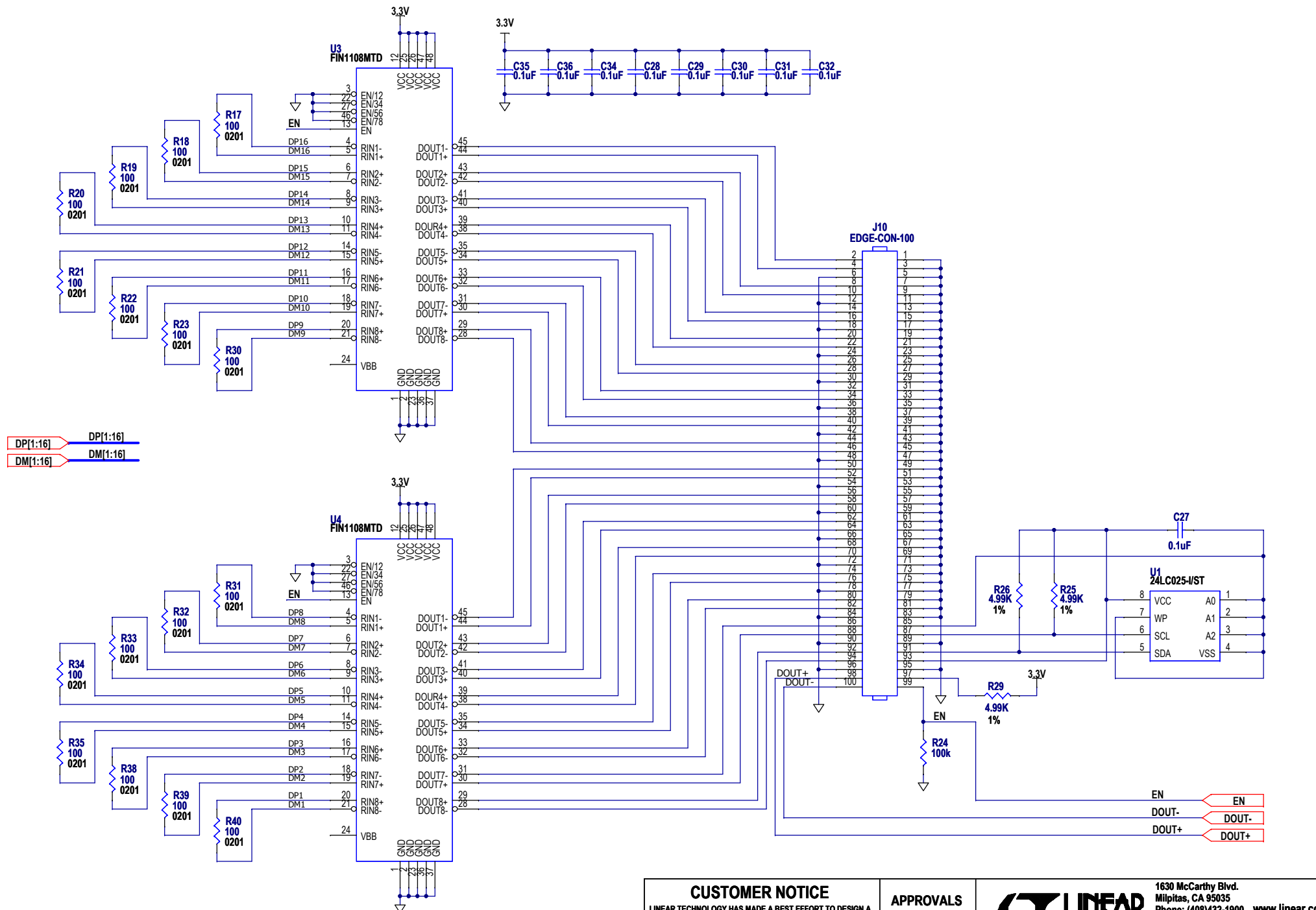
REVISION HISTORY				
ECO	REV	DESCRIPTION	APPROVED	DATE
-	3	3RD PROTOTYPE	JOZEF A.	05-07-12



NOTES: UNLESS OTHERWISE SPECIFIED.

1. ALL RESISTORS ARE 0402.
ALL CAPACITORS ARE 0402.
2. INSTALL SHUNTS AS SHOWN.

CUSTOMER NOTICE		APPROVALS		LINEAR TECHNOLOGY	
<p>LINEAR TECHNOLOGY HAS MADE A BEST EFFORT TO DESIGN A CIRCUIT THAT MEETS CUSTOMER-SUPPLIED SPECIFICATIONS; HOWEVER, IT REMAINS THE CUSTOMER'S RESPONSIBILITY TO VERIFY PROPER AND RELIABLE OPERATION IN THE ACTUAL APPLICATION. COMPONENT SUBSTITUTION AND PRINTED CIRCUIT BOARD LAYOUT MAY SIGNIFICANTLY AFFECT CIRCUIT PERFORMANCE OR RELIABILITY. CONTACT LINEAR TECHNOLOGY APPLICATIONS ENGINEERING FOR ASSISTANCE.</p>		<p>PCB DES. A.K.</p> <p>APP ENG. JOZEF A.</p> <p>SCALE = NONE</p>		<p>TITLE: SCHEMATIC</p> <p>16-BIT, ADC BUFFER + ADC</p> <p>SIZE N/A</p> <p>IC NO. LTC2209CUP/LTC6417CUDC</p> <p>DEMO CIRCUIT 1685A</p> <p>DATE: Thursday, May 31, 2012</p>	
<p>THIS CIRCUIT IS PROPRIETARY TO LINEAR TECHNOLOGY AND SUPPLIED FOR USE WITH LINEAR TECHNOLOGY PARTS.</p>		<p>1630 McCarthy Blvd. Milpitas, CA 95035 Phone: (408)432-1900 www.linear.com Fax: (408)434-0597 LTC Confidential-For Customer Use Only</p>		<p>REV. 3</p> <p>SHEET 1 OF 2</p>	



DP[1:16] DP[1:16]
DM[1:16] DM[1:16]

EN EN
DOUT- DOUT-
DOUT+ DOUT+

CUSTOMER NOTICE LINEAR TECHNOLOGY HAS MADE A BEST EFFORT TO DESIGN A CIRCUIT THAT MEETS CUSTOMER-SUPPLIED SPECIFICATIONS; HOWEVER, IT REMAINS THE CUSTOMER'S RESPONSIBILITY TO VERIFY PROPER AND RELIABLE OPERATION IN THE ACTUAL APPLICATION. COMPONENT SUBSTITUTION AND PRINTED CIRCUIT BOARD LAYOUT MAY SIGNIFICANTLY AFFECT CIRCUIT PERFORMANCE OR RELIABILITY. CONTACT LINEAR TECHNOLOGY APPLICATIONS ENGINEERING FOR ASSISTANCE.		APPROVALS PCB DES. A.K. APP ENG. JOZEF A.			1630 McCarthy Blvd. Milpitas, CA 95035 Phone: (408)432-1900 www.linear.com Fax: (408)434-0507 LTC Confidential-For Customer Use Only	
		TITLE: SCHEMATIC 16-BIT, ADC BUFFER + ADC			SIZE IC NO. LTC2209CUP/LTC6417CUDC REV. 3 N/A DEMO CIRCUIT 1685A	
THIS CIRCUIT IS PROPRIETARY TO LINEAR TECHNOLOGY AND SUPPLIED FOR USE WITH LINEAR TECHNOLOGY PARTS.		SCALE = NONE		DATE: Monday, May 07, 2012		SHEET 2 OF 2