

# LTC6810-1

## 6-Channel Battery-Stack Monitor with Daisy-Chain Interface

### DESCRIPTION

Demonstration circuit 2515B features the [LTC®6810-1](#), a 6-channel battery-stack monitor. Multiple boards can be linked through a 2-wire isolated serial interface (isoSPI™) to monitor a long series of cells in a stack. The DC2515B demo board also features reversible isoSPI enabling a redundant communication path. The PCB, components, and DuraClik connectors are optimized for Low EMI Susceptibility and Emissions.

The DC2515B can communicate to a PC by connecting a DC2792B dual master isoSPI together with DC2026

Linduino® One. The DC2026 must be loaded with the appropriate program (called a **sketch**) to control the battery stack monitor IC and receive data through a USB serial port. The DC2026C provides a standard SPI interface which can be translated to isoSPI and then connected to a DC2515B isoSPI port (J4 or J5 connector). The DC2792B companion board provides two SPI-isoSPI channels for reversible operation.

[Design files for this circuit board are available.](#)

All registered trademarks and trademarks are the property of their respective owners.

### PERFORMANCE SUMMARY Specifications are at T<sub>A</sub> = 25°C

PARAMETER	MIN	TYP	MAX	UNITS
V <sup>+</sup> Supply Voltage	5.0	20	27.5	V
V <sup>+</sup> to C6 Voltage	-0.3			V
C0/S0 Voltage	0		5	V
V <sub>REG</sub> Supply Voltage	4.5	5	5.5	V
V <sub>REF1</sub> 1st Reference Voltage, No Load	3.1	3.2	3.3	V
V <sub>REF2</sub> 2nd Reference Voltage, 5k Load to V <sup>-</sup>	2.994	3	3.006	V
V <sub>BIAS</sub> IBIAS Voltage, READY/ACTIVE State	1.9	2.0	2.1	V
C <sub>PIN</sub> Input Range	0		5	V
Cell Count			6	

## HARDWARE SETUP

### Wiring J1 Connector

The DC2515B demo board connector pinout is critical; correct wiring must be followed to avoid the risk of damaging the DC2515B demo board.

When connected to a battery-stack, power for the DC2515B is provided by the cell group being monitored. To connect the cell group, separate the screw-terminal block section from the J1 connector. Then, insert the cell-voltage connections or resistors into the screw-terminal clamping contacts. These connections provide the power and input stimulus for the battery-stack monitor IC.

Cell-voltages are wired to J1 starting from position 4 (most negative potential of the group). Please reference the appropriate demo board J1 connector pinout in Table 1.

Alternatively, resistors can be used to simulate battery cell-voltages. 100Ω 2W or equivalent resistors are recommended because 100Ω (or lower values) typically will not induce measurement errors and the 2W (or greater rating) will keep the resistor temperatures low preventing power dissipation damage.

### DC2515B 6 Resistor Connection

Carefully connect six 100Ω resistors onto the screw-terminal block between each C<sub>PIN</sub> input clamping contact from position 4 to position 10 as shown in Table 1, DC2515B J1 pinout and Figure 1. Provide a stack-equivalent power supply connection to position 10 (positive) and position 4 (negative). The power supply may be adjusted to provide the desired nominal cell-voltage (ex. 19.8V will be 3.3V per cell).

Table 1. DC2515B J1 Pinout

J1 PIN	C <sub>PIN</sub> INPUT
1	NC
2	NC
3	NC
4	C0/V <sup>-</sup>
5	C1
6	C2
7	C3
8	C4
9	C5
10	C6
11	NC
12	NC
13	NC
14	NC
15	NC
16	NC

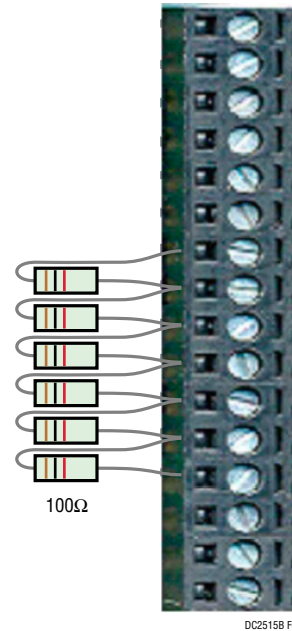


Figure 1. Resistor Divider String

## DC2515B SERIAL INTERFACE OPTIONS

The isoSPI is the only communication option to DC2515B. Due to the custom EMI optimized isoSPI cable with DuraClik connectors, it's highly recommended to use DC2792B dual master isoSPI demo board or equivalent for easy plug-and-play operation. The DC2792B dual master isoSPI demo board can be connected as a typical single-ended isoSPI bus master or to both ends of a reversible configuration with two isoSPI bus masters. Refer to demo manual DC2792B for usage details.

### DC2792B to DC2515B Typical isoSPI Connection

A typical isoSPI connection begins with the isoSPI Master connected to the first (or **bottom**) DC2515B. Additional DC2515B boards can be daisy-chained onto the isoSPI bus. Communication begins from the first (or **bottom**) DC2515B then to the next **upper** DC2515B and, finally, to the last (or **top**) DC2515B.

Figure 2 shows the following connections for two boards on a stack interfaced to a PC:

1. Connect a USB cable from the PC USB port to the DC2026 J5 connector.
2. Connect the DC2026 to the DC2792B dual master isoSPI demo board.
  - a. Connect a 14-pin ribbon cable from the DC2026 J1 header to the DC2792B J1 header.
3. Connect the DC2792B to the DC2515B. This DC2515B is the first (or **bottom**) board of the stack.

- a. Connect a 2-wire twisted-pair patch cable from the DC2792B J2 MAIN DuraClik connector to the **bottom** DC2515B J4 isoSPI A DuraClik connector.

**CAUTION!** The 2-wire twisted-pair patch cable with the DuraClik end plugs have 1mm thick center locking tabs on the wiring side that must be pressed down to release from the DuraClik receptacles. Failure to do so may damage the cable and prevent board-to-board isoSPI communication.

4. Connect or daisy-chain the DC2515B to another DC2515B in isoSPI mode. This DC2515B is the last (or **top**) board of a two-board stack. More DC2515B **upper** boards can be daisy-chained together in the same manner.

- a. Connect a 2-wire twisted-pair patch cable from the **bottom** DC2515B J5 isoSPI B DuraClik connector to the next **upper** or **top** DC2515B J4 isoSPI A DuraClik connector.

5. **CAUTION!** Prevent damage to the DC2515B. Refer to Table 1 and confirm that the cell-voltage connections to the screw-terminal block matches the DC2515B J1 pinout.

- a. Plug the screw-terminal blocks into the J1 cell-voltage connectors.

6. Refer to the Software Setup section of this demo manual to properly setup the PC with the Arduino IDE software to allow communication to the DC2515B boards.

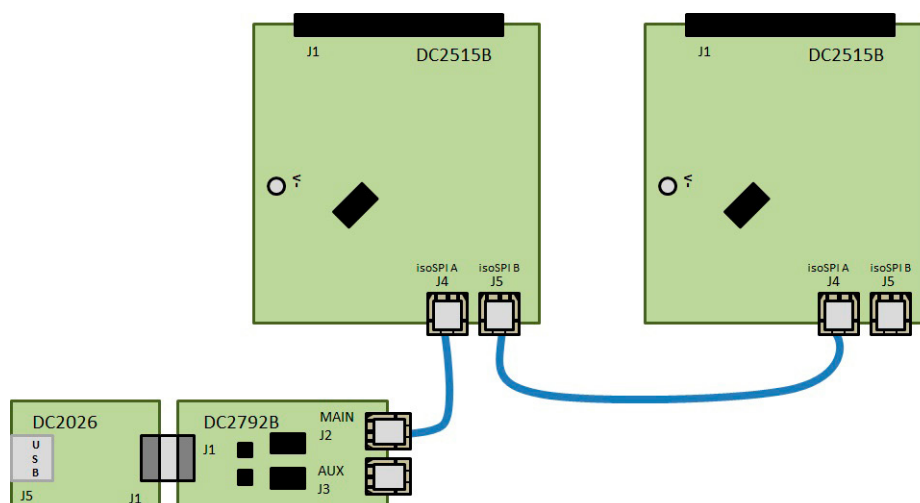


Figure 2. DC2792B Typical isoSPI Connection to the **Bottom** DC2515B in a Two-Board DC2515B Stack

## DC2515B SERIAL INTERFACE OPTIONS

### DC2792B to DC2515B Reverse isoSPI Connection

A reverse isoSPI connection begins with the isoSPI Master connected to the last (or **top**) DC2515B. Additional DC2515B boards can be daisy-chained onto the isoSPI bus. Communication begins from the last (or **top**) DC2515B then to the next **lower** DC2515B and, finally, to the first (or **bottom**) DC2515B.

Figure 3 shows the following connections for two boards on a stack interfaced to a PC:

1. Connect a USB cable from the PC USB port to the DC2026 J5 connector.
2. Connect the DC2026 to the DC2792B dual master isoSPI demo board.
  - a. Connect a 14-pin ribbon cable from the DC2026 J1 header to the DC2792B J1 header.
3. Connect the DC2792B to the DC2515B in isoSPI mode. This DC2515B is the last (or **top**) board of a two-board stack.
  - a. Connect a 2-wire twisted-pair patch cable from the DC2792B J2 MAIN DuraClik connector to the **top** DC2515B J5 isoSPI B DuraClik connector.

**CAUTION!** The 2-wire twisted-pair patch cable with the DuraClik end plugs have 1mm thick center locking tabs on the wiring side that must be pressed down to

release from the DuraClik receptacles. Failure to do so may damage the cable and prevent board-to-board isoSPI communication.

4. Connect or daisy-chain the DC2515B to another DC2515B in isoSPI mode. This DC2515B is the first (or **bottom**) board of a two-board stack. More DC2515B **lower** boards can be daisy-chained together in the same manner.
  - a. Connect a 2-wire twisted-pair patch cable from the **top** DC2515B J4 isoSPI A DuraClik connector to the next **lower** or **bottom** DC2515B J5 isoSPI B DuraClik connector.
5. **CAUTION!** Prevent damage to the DC2515B. Refer to Table 1 and confirm that the cell-voltage connections to the screw-terminal block matches the DC2515B J1 pinout.
  - a. Plug the screw-terminal blocks into the J1 cell-voltage connectors.
6. Refer to the Software Setup section of this demo manual to properly setup the PC with the Arduino IDE software to allow communication to the DC2515B boards.

### DC2792B to DC2515B Redundant isoSPI Connection

A redundant isoSPI connection begins with the primary (or **main**) isoSPI Master connected to the first (or **bottom**) DC2515B and has a backup auxiliary (or **aux**) isoSPI

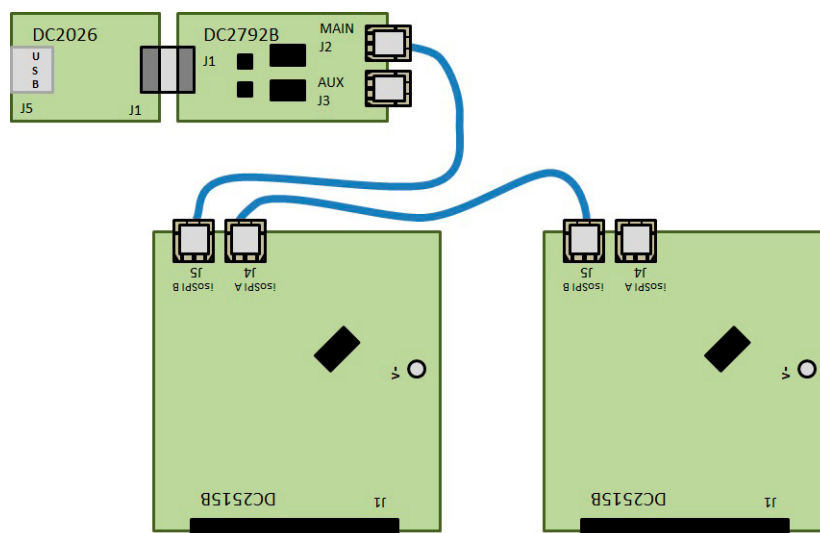


Figure 3. DC2792B Reverse isoSPI Connection to the *Top* DC2515B in a Two-Board DC2515B Stack

## DC2515B SERIAL INTERFACE OPTIONS

Master connected to the last (or **top**) DC2515B. Additional DC2515B boards can be daisy-chained between the two isoSPI masters on the isoSPI bus. Primary (or **main**) communication begins from the first (or **bottom**) DC2515B then to the next **upper** DC2515B and, finally, to the last (or **top**) DC2515B. The backup auxiliary (or **aux**) communication begins in the reverse direction to provide coverage when a possible isoSPI daisy-chain break occurs.

Figure 4 shows the following connections for two boards on a stack interfaced to a PC:

1. Connect a USB cable from the PC USB port to the DC2026 J5 connector.
2. Connect the DC2026 to the DC2792B dual master isoSPI demo board.
  - a. Connect a 14-pin ribbon cable from the DC2026 J1 header to the DC2792B J1 header.
3. Connect the DC2792B primary (or **main**) isoSPI master to the first (or **bottom**) DC2515B board of the stack.
  - a. Connect a 2-wire twisted-pair patch cable from the DC2792B J2 MAIN DuraClik connector to the **bottom** DC2515B J4 isoSPI A DuraClik connector.

**CAUTION!** The 2-wire twisted-pair patch cable with the DuraClik end plugs have 1mm thick center locking tabs on the wiring side that must be pressed down to release from the DuraClik receptacles. Failure to do

so may damage the cable and prevent board-to-board isoSPI communication.

4. Connect or daisy-chain the DC2515B to another DC2515B in isoSPI mode. This DC2515B is the last (or **top**) board of a two-board stack. More DC2515B **upper** boards can be daisy-chained together in the same manner.
  - a. Connect a 2-wire twisted-pair patch cable from the **bottom** DC2515B J5 isoSPI B DuraClik connector to the next **upper** or **top** DC2515B J4 isoSPI A DuraClik connector.
5. Connect the DC2792B auxiliary (or **aux**) isoSPI Master to the last (or **top**) DC2515B board of the stack.
  - a. Connect a 2-wire twisted-pair patch cable from the DC2792B J3 AUX DuraClik connector to the **top** DC2515B J5 isoSPI B DuraClik connector.
6. **CAUTION!** Prevent damage to the DC2515B. Refer to Table 1 and confirm that the cell-voltage connections to the screw-terminal block matches the DC2515B J1 pinout.
  - a. Plug the screw-terminal blocks into the J1 cell-voltage connectors.
7. Refer to the Software Setup section of this demo manual to properly setup the PC with the Arduino IDE software to allow communication to the DC2515B boards.

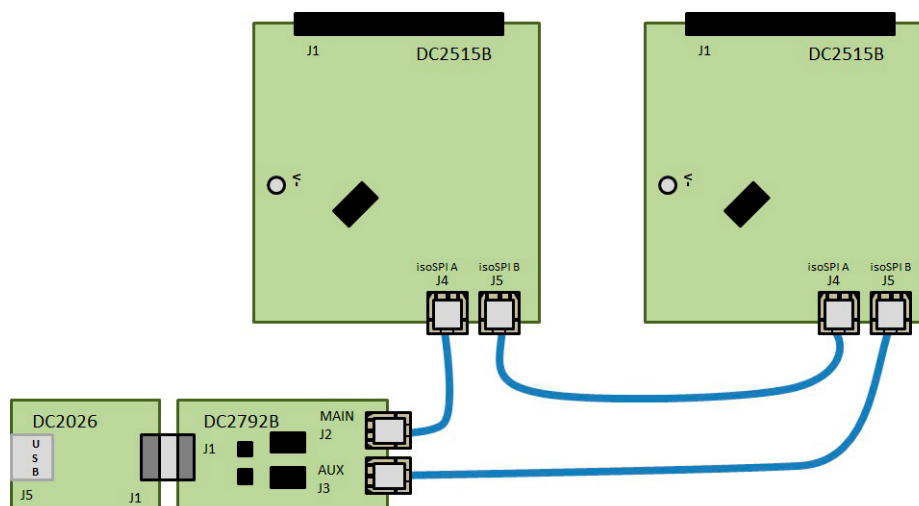


Figure 4. DC2792B Redundant isoSPI Connections to the *Bottom* and *Top* DC2515B in a Two-Board DC2515B Stack

## SOFTWARE SETUP

The DC2515B can be controlled with the DC2026 Linduino One board together with DC2792B dual isoSPI Master or equivalent isoSPI transceiver. The DC2026 is part of the Arduino compatible Linduino platform that provides example code that will demonstrate how to control the multicell battery-stack monitor ICs. Compared to most Arduino compatible microcontroller boards, the DC2026 offers conveniences such as an isolated USB connection to the PC, built-in SPI MISO line pull-up to properly interface with the battery stack monitor IC open drain SDO, and an easy ribbon cable connection for SPI communication through the DC2792B 14-pin QuikEval™ J1 connector.

### Arduino IDE Setup

1. Download then install the [Arduino IDE](#) onto the PC. Detailed instructions can be found under the quick start tab.
2. Set the Arduino IDE to open BMS Sketchbooks. From within the Arduino IDE, click on **File** menu select **Preferences**. Then under **Sketchbook location**: select **Browse** and locate the path to the extracted **LTSketchbook.zip** file that was downloaded (see Figure 5).

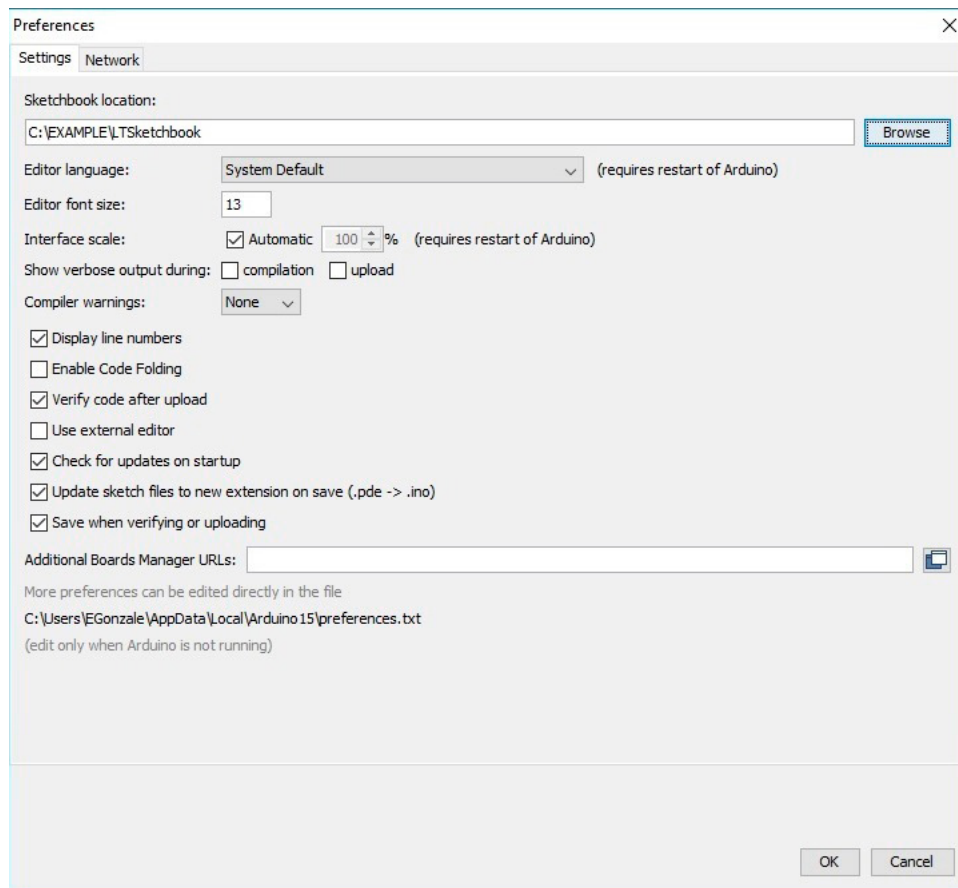


Figure 5. Sketchbook Location Path

## SOFTWARE SETUP

- Close then re-open the Arduino IDE to enable the use of the Sketchbook Location that was previously set.
- Select the correct COM port to allow communication to DC2026 through USB. Under the **Tools** menu, select **Port** → Select the highest number **COMxx** with the ✓ check mark symbol. There may be more than one option; DC2026 is usually the highest COM port number. The PC screenshots (Figure 6) used in this example show the DC2026 connected to COM6.

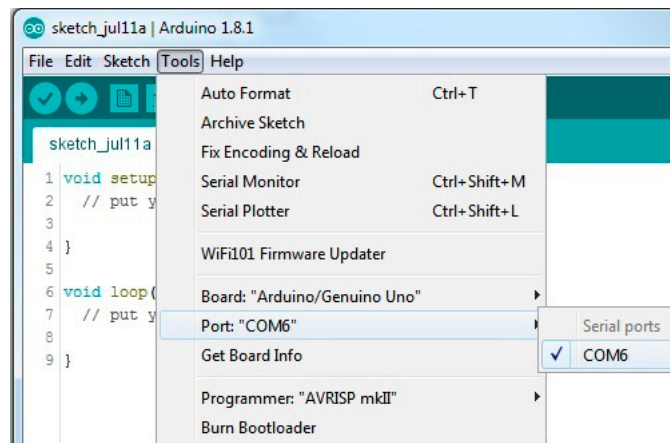


Figure 6. Selecting Correct COM

- Select the correct Arduino compatible microcontroller board. Under the **Tools** menu, select **Board** → **Arduino/Genuino Uno** with the ● black dot symbol (see Figure 7).

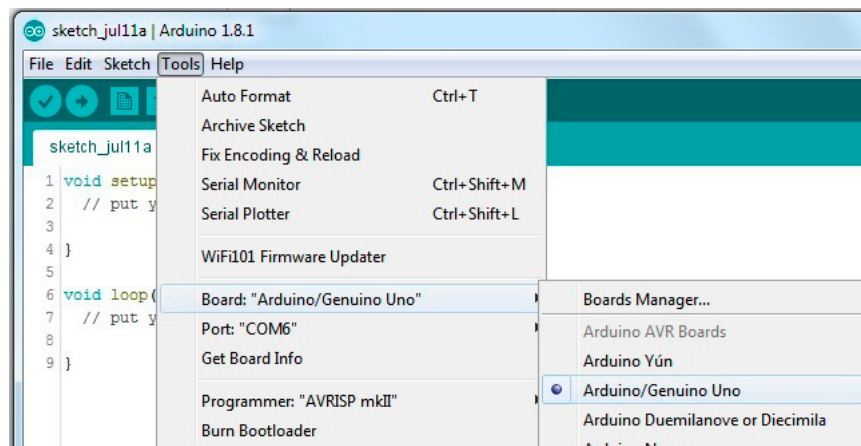


Figure 7. Selecting Compatible Microcontroller Board

## SOFTWARE SETUP

6. Open one of the programs or **sketches** associated with the DC2515B. In this example LTC6810 sketch will be opened. Under the **File** menu, select **Sketchbook** → **Part Number** → **6000** → **6810** → **DC2515** (see Figure 8).

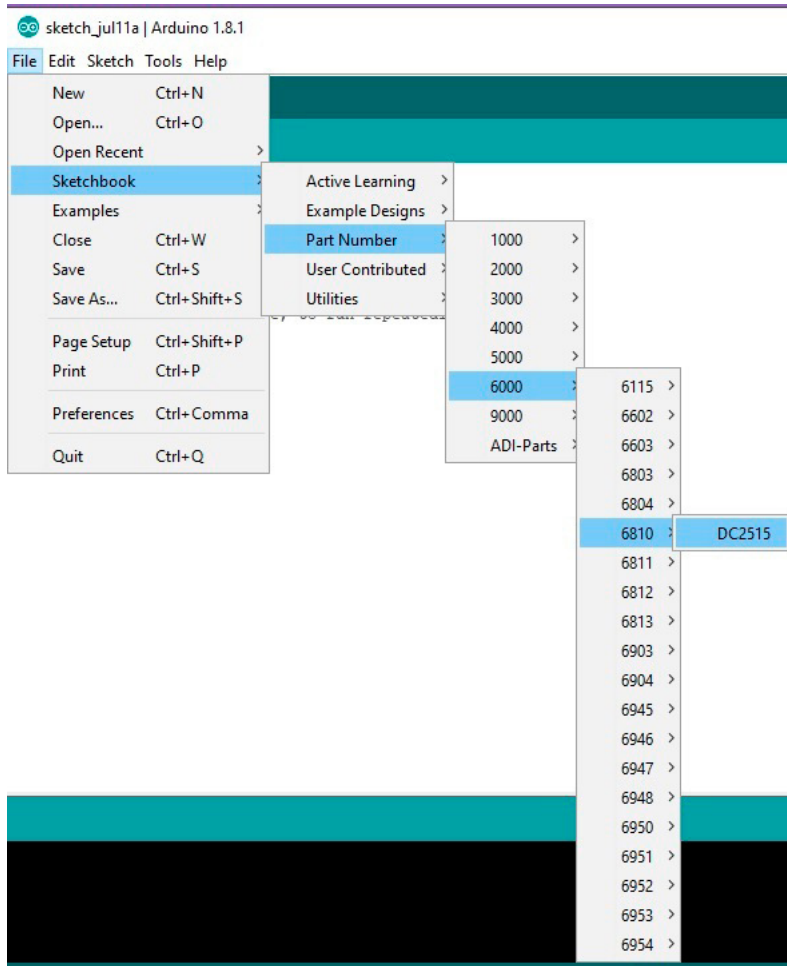


Figure 8. Selecting the LTC6810 Sketch



## SOFTWARE SETUP

7. Upload the **DC2515** sketch onto the DC2026 by clicking on the **Upload** button on the top left corner. When this process is completed there will be a **Done Uploading** message on the bottom left corner (see Figure 9).

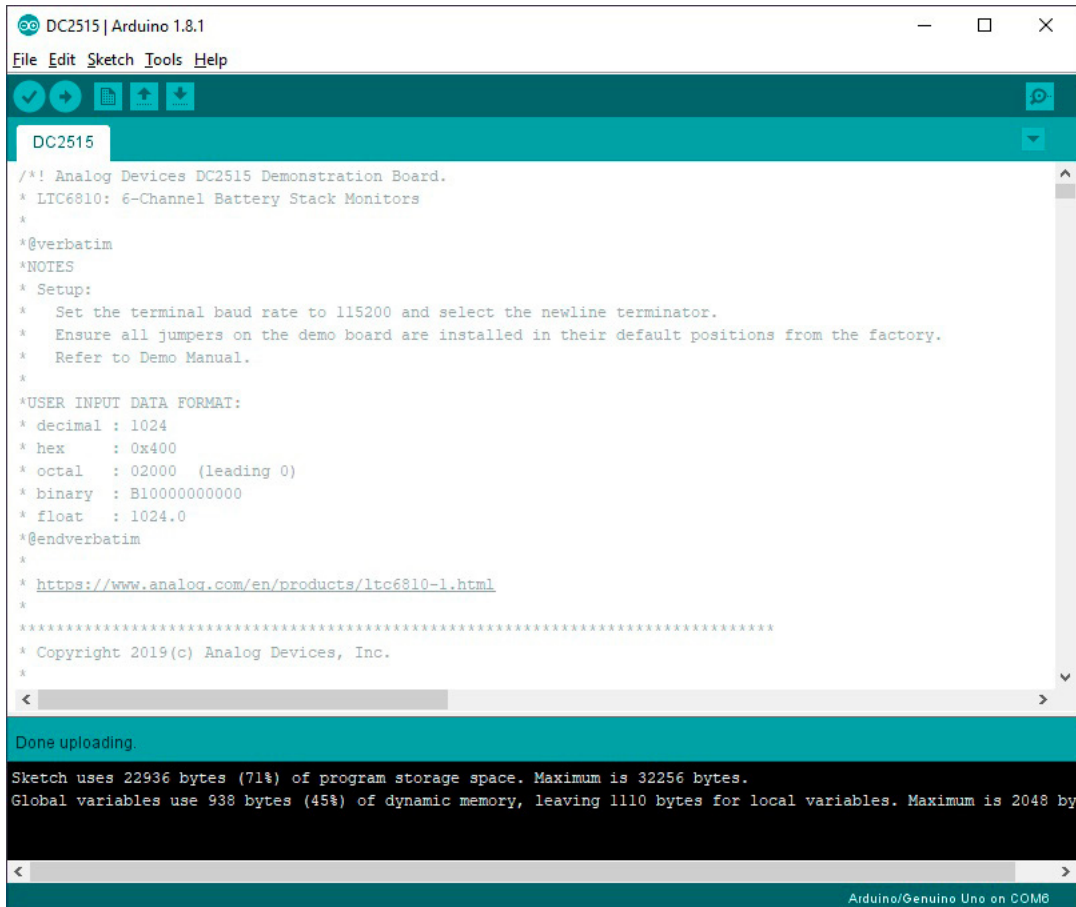


Figure 9. Uploading DC2515 Sketch

8. Open the Arduino **Serial Monitor** (Figure 10) tool. Click on the Serial Monitor button on the top right corner then the Serial Monitor window will open and show on the top left corner the **COMxx** used.



Figure 10. Arduino Serial Monitor Tool

## SOFTWARE SETUP

9. Configure the **Serial Monitor** to allow communication to the DC2026 through USB. On the bottom of the Serial Monitor window, set the following starting from bottom left to bottom right:
  - a. Click on the **Autoscroll** checkbox for the ✓ check mark symbol.
  - b. Select **Both NL & CR** on the left dropdown menu.
  - c. Select **115200 baud** on the right dropdown menu.
  - d. As shown in Figure 11, when configured correctly the **DC2515** sketch menu will appear.

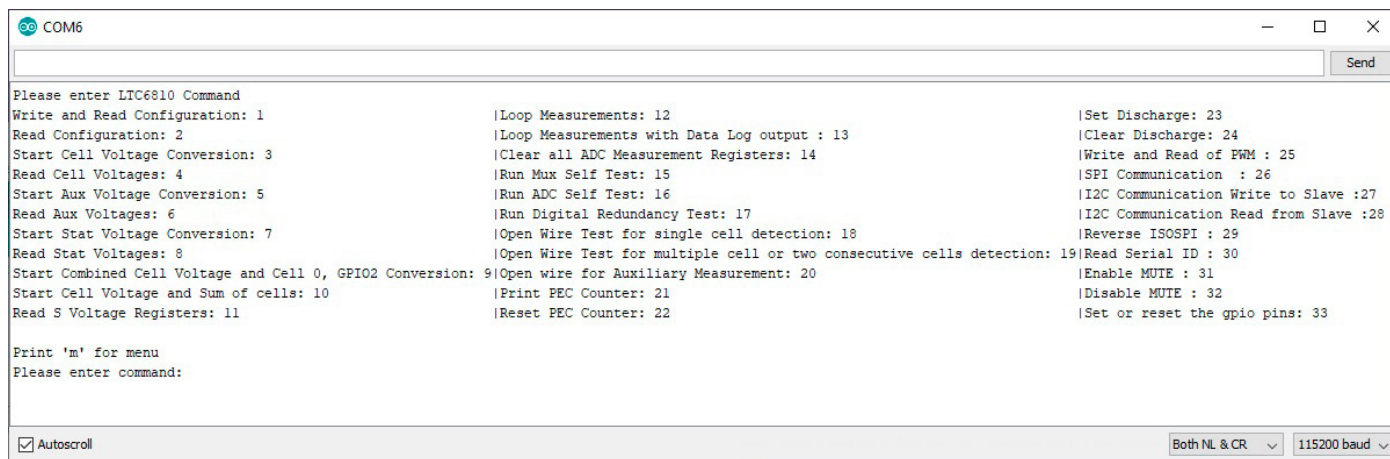


Figure 11. DC2515 Sketch Menu

## APPENDIX A: THE SKETCHBOOK CONTENTS

The LTSketchbook will generally contain the following folders: Libraries, Part Number, Documentation, and Utilities.

**Libraries directory:** Contains a subdirectory for each IC in the sketchbook. Each subdirectory contains a `.cpp` and `.h` file. These files contain all of the constant definitions and low-level IC command implementations. Porting to a different microcontroller requires changes to some library files.

**Part Number directory:** Contains example control programs for each IC. Inside the 6000 folder of the Part Number folder, each 68xx folder is a BMS IC with a sketch (`.ino`) file that implements a control program to evaluate the functionality of the IC. This sketch allows the user to control the IC through a serial terminal and make all primary measurements. This sketch also allows

for evaluation of self-test and discharge features of the IC. Generally, the name of a sketch relates to the IC's demo board. For example, the sketch for LTC6804 is `DC1942.ino`, for LTC6811 it is `DC2259.ino`, and for LTC6810 it is `DC2515.ino`.

**Utilities directory:** Contains support programs, including a program that emulates a standard Analog Devices DC590 isolated USB to serial controller.

**Documentation directory:** Contains `html` documentation for the provided code base. Documentation for all of the BMS ICs can be accessed by opening the `Linduino.html` file, as found in the main sketchbook directory (Figure 12) and in the Documentation directory.

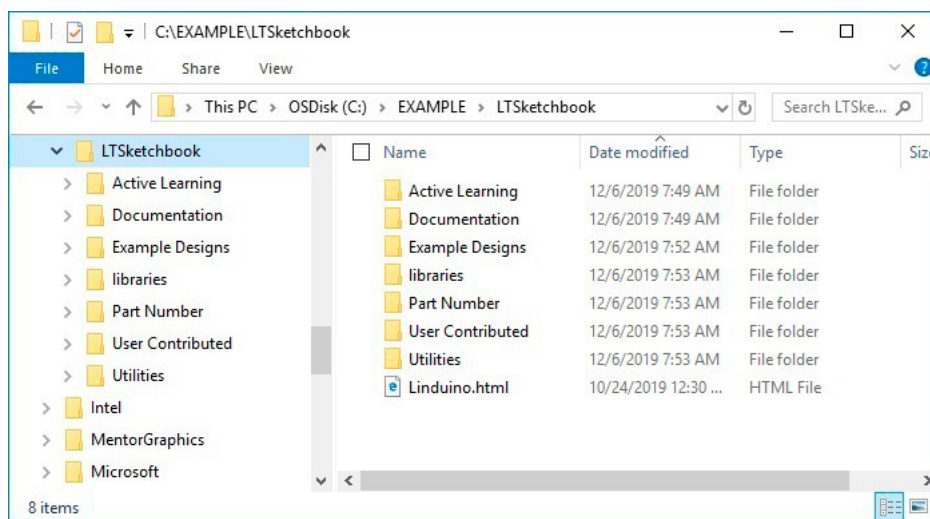


Figure 12. Documentation Directory

## APPENDIX A: THE SKETCHBOOK CONTENTS

### What Is A Sketch

A **sketch** is simply another word for a microcontroller/Linduino program. The term is generally only used when referring to Arduino-based programs, as sketches have several abstractions that remove some of the complexity of a standard microcontroller (MCU) program. All sketches contain two primary functions, *the setup()* and the *loop()* function. These are in fact the only functions that are mandatory in a sketch and are almost always implemented in some form in a typical MCU program. The *setup()* function is run once at power on or after the MCU is reset. The *setup()* function generally is used to initialize the MCU peripheral circuits and to initialize all of the control variables. The *loop()* function is similar to a *main()* function that has implemented an infinite loop inside a standard C program. The code within the *loop()* function is typically where the primary program code is placed. The code within the *loop()* function will repeat infinitely.

### Sketch Modifications

Sketches can be modified to a set of applications specific requirements. All sketches are written such that the most common modifications can be made by changing the variables listed in the */\*Setup Variables \*/* table at the top of the sketch. For reference, example modifications to a DC2259 (LTC6811) sketch are shown below. These modifications are applicable to most of the available BMS ICs in the sketchbook.

Common modifications can be made by changing the *Setup Variables*. The most common application changes are listed below. After the variables are changed, the sketch will need to be recompiled and uploaded to the Linduino.

1. To change the number of ICs in the isoSPI network, change the TOTAL\_IC variable. A number between 1

and 4 should be entered. In an application that has 2 devices in the network the modified line will look like the following.

```
const uint8_t TOTAL_IC = 2;
```

2. Often an application may need to sample data at a rate faster than the default 500ms (2Hz). To modify the loop/sample rate the MEASUREMENT\_LOOP\_TIME variable should be changed. The loop time must be entered in milliseconds and should be a number larger than 20ms. To change the loop rate to roughly 10 measurements a second the loop rate should be changed to 100ms. The modified line will look like the following.

```
const uint16_t MEASUREMENT_LOOP_TIME = 100;
```

3. It is possible to modify which measurements fall within the loop during the Loop Measurements command. The following list are the measurements that can be looped.

```
const uint8_t MEASURE_CELL = ENABLED;  
// This is ENABLED or DISABLED  
const uint8_t MEASURE_AUX = DISABLED;  
// This is ENABLED or DISABLED  
const uint8_t MEASURE_STAT = DISABLED;  
//This is ENABLED or DISABLED
```

By default, only a cell measurement is done, as noted by MEASURE\_CELL = ENABLED. What measurements are made can be changed by setting what the Measure field is equal to. To Measure Cells and the Status register but not the AUX register, the variables would be setup as shown below.

```
const uint8_t MEASURE_CELL = ENABLED;  
// This is ENABLED or DISABLED  
const uint8_t MEASURE_AUX = DISABLED;  
// This is ENABLED or DISABLED  
const uint8_t MEASURE_STAT = ENABLED;  
//This is ENABLED or DISABLED
```

## APPENDIX A: THE SKETCHBOOK CONTENTS

4. ADC conversion settings can also be modified in the Setup Variables section. The default setup is to run the ADC in **Normal** mode, which has a 7kHz filter code; in this mode the ADC\_OPT bit is disabled. Typical choice for which cell to convert is ALL. Full ADC conversion programming requires setting ADC\_OPT, ADC\_CONVERSION\_MODE, CELL\_CH\_TO\_CONVERT, AUX\_CH\_TO\_CONVERT, and STAT\_CH\_TO\_CONVERT. These variables are programmed with constants listed in the *LTC68xy\_daisy.h* file. For simplicity they are also listed below.

```
MD_422HZ_1KHZ
MD_27KHZ_14KHZ
MD_7KHZ_3KHZ
MD_26HZ_2KHZ
ADC_OPT_ENABLED
ADC_OPT_DISABLED
CELL_CH_ALL
CELL_CH_1and7
CELL_CH_2and8
CELL_CH_3and9
CELL_CH_4and10
CELL_CH_5and11
CELL_CH_6and12
```

To set the ADC to have a 1kHz filter corner the ADC\_OPT and ADC\_CONVERSION\_MODE variables would be changed as follows.

```
ADC_OPT = ADC_OPT_ENABLED;
ADC_CONVERSION_MODE = MD_422HZ_1KHZ;
```

To convert only cells 2 and 8,

```
CELL_CH_TO_CONVERT = CELL_CH_2and8;
```

5. In another example, the user may wish to change the undervoltage and overvoltage thresholds. Each number is based on an LSB of 100µV.

```
//Under Voltage and Over Voltage Thresholds
const uint16_t OV_THRESHOLD = 41000;
// Over voltage threshold ADC Code.
// LSB = 0.0001
const uint16_t UV_THRESHOLD = 30000;
// Under voltage threshold ADC Code.
// LSB = 0.0001
```



## ESD Caution

**ESD (electrostatic discharge) sensitive device.** Charged devices and circuit boards can discharge without detection. Although this product features patented or proprietary protection circuitry, damage may occur on devices subjected to high energy ESD. Therefore, proper ESD precautions should be taken to avoid performance degradation or loss of functionality.

## Legal Terms and Conditions

By using the evaluation board discussed herein (together with any tools, components documentation or support materials, the "Evaluation Board"), you are agreeing to be bound by the terms and conditions set forth below ("Agreement") unless you have purchased the Evaluation Board, in which case the Analog Devices Standard Terms and Conditions of Sale shall govern. Do not use the Evaluation Board until you have read and agreed to the Agreement. Your use of the Evaluation Board shall signify your acceptance of the Agreement. This Agreement is made by and between you ("Customer") and Analog Devices, Inc. ("ADI"), with its principal place of business at One Technology Way, Norwood, MA 02062, USA. Subject to the terms and conditions of the Agreement, ADI hereby grants to Customer a free, limited, personal, temporary, non-exclusive, non-sublicensable, non-transferable license to use the Evaluation Board FOR EVALUATION PURPOSES ONLY. Customer understands and agrees that the Evaluation Board is provided for the sole and exclusive purpose referenced above, and agrees not to use the Evaluation Board for any other purpose. Furthermore, the license granted is expressly made subject to the following additional limitations: Customer shall not (i) rent, lease, display, sell, transfer, assign, sublicense, or distribute the Evaluation Board; and (ii) permit any Third Party to access the Evaluation Board. As used herein, the term "Third Party" includes any entity other than ADI, Customer, their employees, affiliates and in-house consultants. The Evaluation Board is NOT sold to Customer; all rights not expressly granted herein, including ownership of the Evaluation Board, are reserved by ADI. CONFIDENTIALITY. This Agreement and the Evaluation Board shall all be considered the confidential and proprietary information of ADI. Customer may not disclose or transfer any portion of the Evaluation Board to any other party for any reason. Upon discontinuation of use of the Evaluation Board or termination of this Agreement, Customer agrees to promptly return the Evaluation Board to ADI. ADDITIONAL RESTRICTIONS. Customer may not disassemble, decompile or reverse engineer chips on the Evaluation Board. Customer shall inform ADI of any occurred damages or any modifications or alterations it makes to the Evaluation Board, including but not limited to soldering or any other activity that affects the material content of the Evaluation Board. Modifications to the Evaluation Board must comply with applicable law, including but not limited to the RoHS Directive. TERMINATION. ADI may terminate this Agreement at any time upon giving written notice to Customer. Customer agrees to return to ADI the Evaluation Board at that time. LIMITATION OF LIABILITY. THE EVALUATION BOARD PROVIDED HEREUNDER IS PROVIDED "AS IS" AND ADI MAKES NO WARRANTIES OR REPRESENTATIONS OF ANY KIND WITH RESPECT TO IT. ADI SPECIFICALLY DISCLAIMS ANY REPRESENTATIONS, ENDORSEMENTS, GUARANTEES, OR WARRANTIES, EXPRESS OR IMPLIED, RELATED TO THE EVALUATION BOARD INCLUDING, BUT NOT LIMITED TO, THE IMPLIED WARRANTY OF MERCHANTABILITY, TITLE, FITNESS FOR A PARTICULAR PURPOSE OR NON-INFRINGEMENT OF INTELLECTUAL PROPERTY RIGHTS. IN NO EVENT WILL ADI AND ITS LICENSORS BE LIABLE FOR ANY INCIDENTAL, SPECIAL, INDIRECT, OR CONSEQUENTIAL DAMAGES RESULTING FROM CUSTOMER'S POSSESSION OR USE OF THE EVALUATION BOARD, INCLUDING BUT NOT LIMITED TO LOST PROFITS, DELAY COSTS, LABOR COSTS OR LOSS OF GOODWILL. ADI'S TOTAL LIABILITY FROM ANY AND ALL CAUSES SHALL BE LIMITED TO THE AMOUNT OF ONE HUNDRED US DOLLARS (\$100.00). EXPORT. Customer agrees that it will not directly or indirectly export the Evaluation Board to another country, and that it will comply with all applicable United States federal laws and regulations relating to exports. GOVERNING LAW. This Agreement shall be governed by and construed in accordance with the substantive laws of the Commonwealth of Massachusetts (excluding conflict of law rules). Any legal action regarding this Agreement will be heard in the state or federal courts having jurisdiction in Suffolk County, Massachusetts, and Customer hereby submits to the personal jurisdiction and venue of such courts. The United Nations Convention on Contracts for the International Sale of Goods shall not apply to this Agreement and is expressly disclaimed.