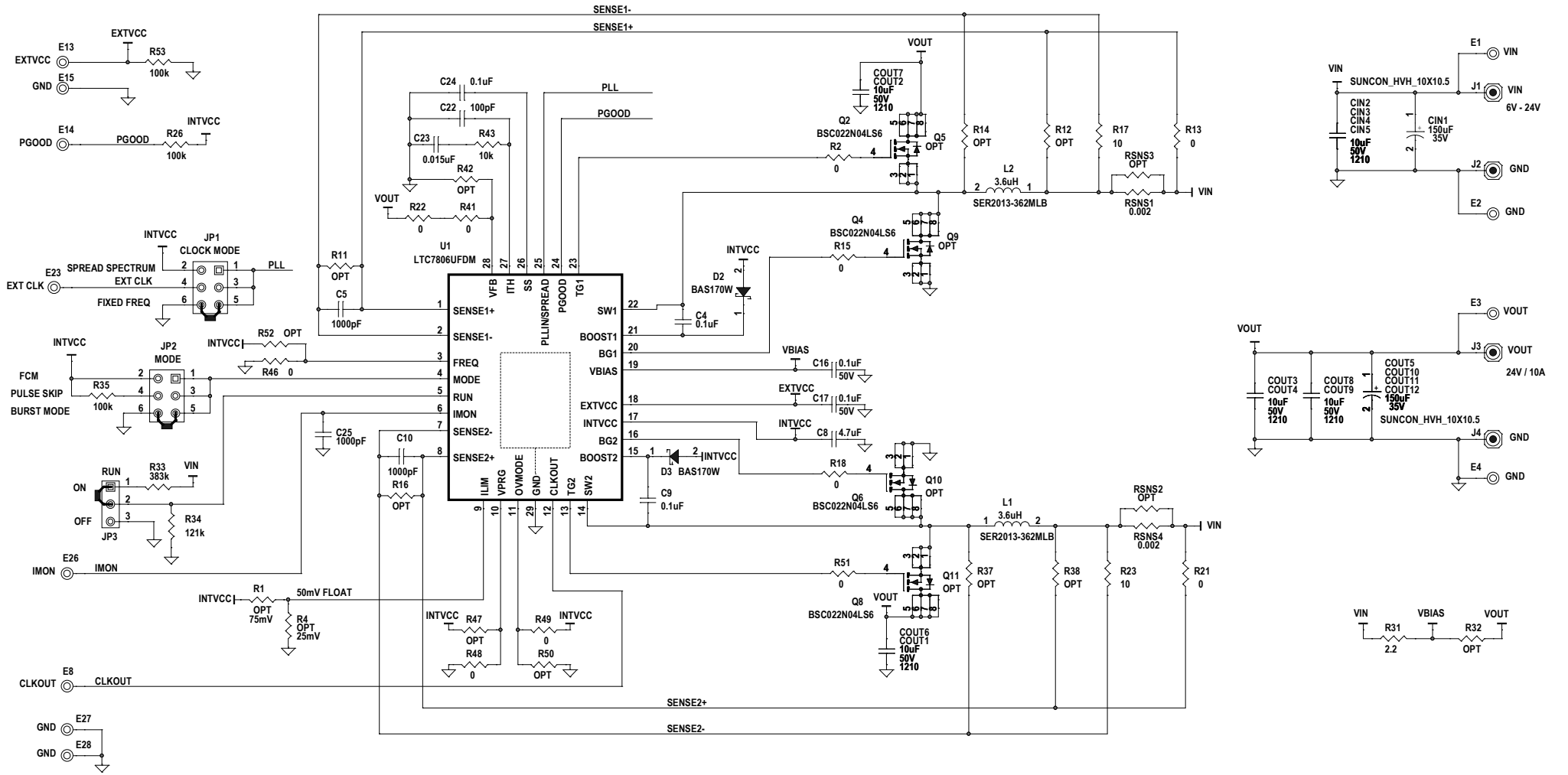


REVISION HISTORY				
ECO	REV	DESCRIPTION	APPROVED	DATE
	02	PRODUCTION	GP	05-20-21



NOTES:
1. ALL RESISTORS AND CAPACITORS ARE 0603.

PCA ADDITIONAL PARTS

MP1	STANDOFF,NYLON,SNAP-ON,0.625 (5/8"),15.9mm
MP2	STANDOFF,NYLON,SNAP-ON,0.625 (5/8"),15.9mm
MP3	STANDOFF,NYLON,SNAP-ON,0.625 (5/8"),15.9mm
MP4	STANDOFF,NYLON,SNAP-ON,0.625 (5/8"),15.9mm
LB1	BOARD S/N LABEL 895-0154
STNCL1	TOOL, STENCIL, 700-DC2951A REV02
PCB1	PCB, DC2951A REV02

CUSTOMER NOTICE		APPROVALS		 2555 AUGUSTINE DRIVE SANTA CLARA, CA 95054 www.analog.com
<small>ANALOG DEVICES HAS MADE A BEST EFFORT TO DESIGN A CIRCUIT THAT MEETS CUSTOMER-SUPPLIED SPECIFICATIONS; HOWEVER, IT REMAINS THE CUSTOMER'S RESPONSIBILITY TO VERIFY PROPER AND RELIABLE OPERATION IN THE ACTUAL APPLICATION. COMPONENT SUBSTITUTION AND PRINTED CIRCUIT BOARD LAYOUT MAY SIGNIFICANTLY AFFECT CIRCUIT PERFORMANCE OR RELIABILITY. CONTACT ANALOG DEVICES APPLICATIONS ENGINEERING FOR ASSISTANCE.</small>		PCB DES.	LT	
		APP ENG.	GORAN P.	
TITLE: SCHEMATIC HIGH EFFICIENCY POLYPHASE BOOST CONVERTER				IC NO. LTC7806UFDM SKU NO. DC2951A SCHEMATIC NO. AND REVISION: 710-DC2951A_REV02
<small>THIS CIRCUIT IS PROPRIETARY TO ANALOG DEVICES AND SUPPLIED FOR USE WITH ANALOG DEVICES PARTS.</small>		SIZE: N/A	DATE: Friday, May 21, 2021	