

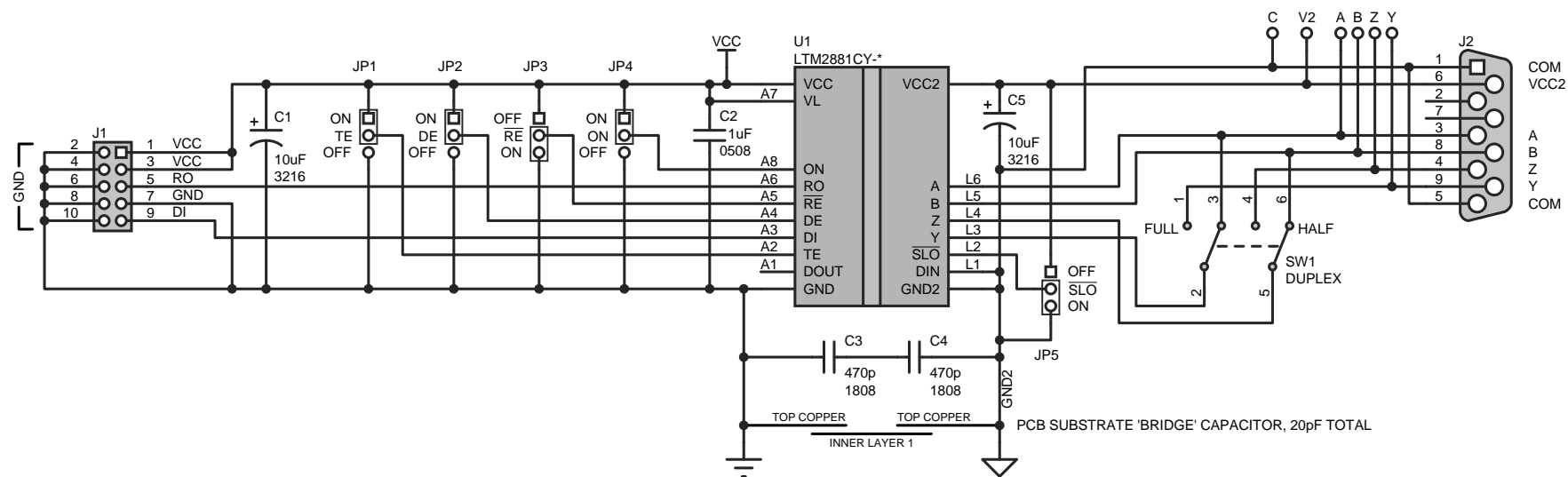
NOTES: UNLESS OTHERWISE SPECIFIED

- ALL RESISTORS ARE IN OHMS, 0805.
- ALL CAPACITORS ARE IN MICROFARADS, 0805.

ASSY	U1	VCC
-A	LTM2881CY-3	3.0V - 3.6V
-B	LTM2881CY-5	4.5V - 5.5V

REVISION HISTORY

ECO	REV	DESCRIPTION	APPROVED	DATE
-	1	1ST PROTOTYPE	KEITH B.	08-16-10



CUSTOMER NOTICE

LINEAR TECHNOLOGY HAS MADE A BEST EFFORT TO DESIGN A CIRCUIT THAT MEETS CUSTOMER - SUPPLIED SPECIFICATIONS; HOWEVER, IT REMAINS THE CUSTOMERS RESPONSIBILITY TO VERIFY PROPER AND RELIABLE OPERATION IN THE ACTUAL APPLICATION. COMPONENT SUBSTITUTION AND PRINTED CIRCUIT LAYOUT MAY SIGNIFICANTLY AFFECT CIRCUIT PERFORMANCE OR RELIABILITY. CONTACT LINEAR TECHNOLOGY APPLICATIONS ENGINEERING FOR ASSISTANCE.

THIS CIRCUIT IS PROPRIETARY TO LINEAR TECHNOLOGY AND SUPPLIED FOR USE WITH LINEAR TECHNOLOGY PARTS.

APPROVALS

PCB DES. KEITH B.

APP ENG. KEITH B.



1630 McCarthy Blvd.  
Milpitas, CA 95035  
Phone: (408) 432-1900  
Fax: (408) 434-0507  
www.linear.com

LTC CONFIDENTIAL  
FOR CUSTOMER  
USE ONLY

TITLE: SCHEMATIC

RS485/RS422 uMODULE ISOLATOR, LOW EMI

SIZE

N/A

IC NO.

LTM2881CY-3/-5  
DEMO CIRCUIT 1746A

REV.

1

SCALE = NONE

DATE: Tuesday, August 17, 2010

SHEET 1 OF 1