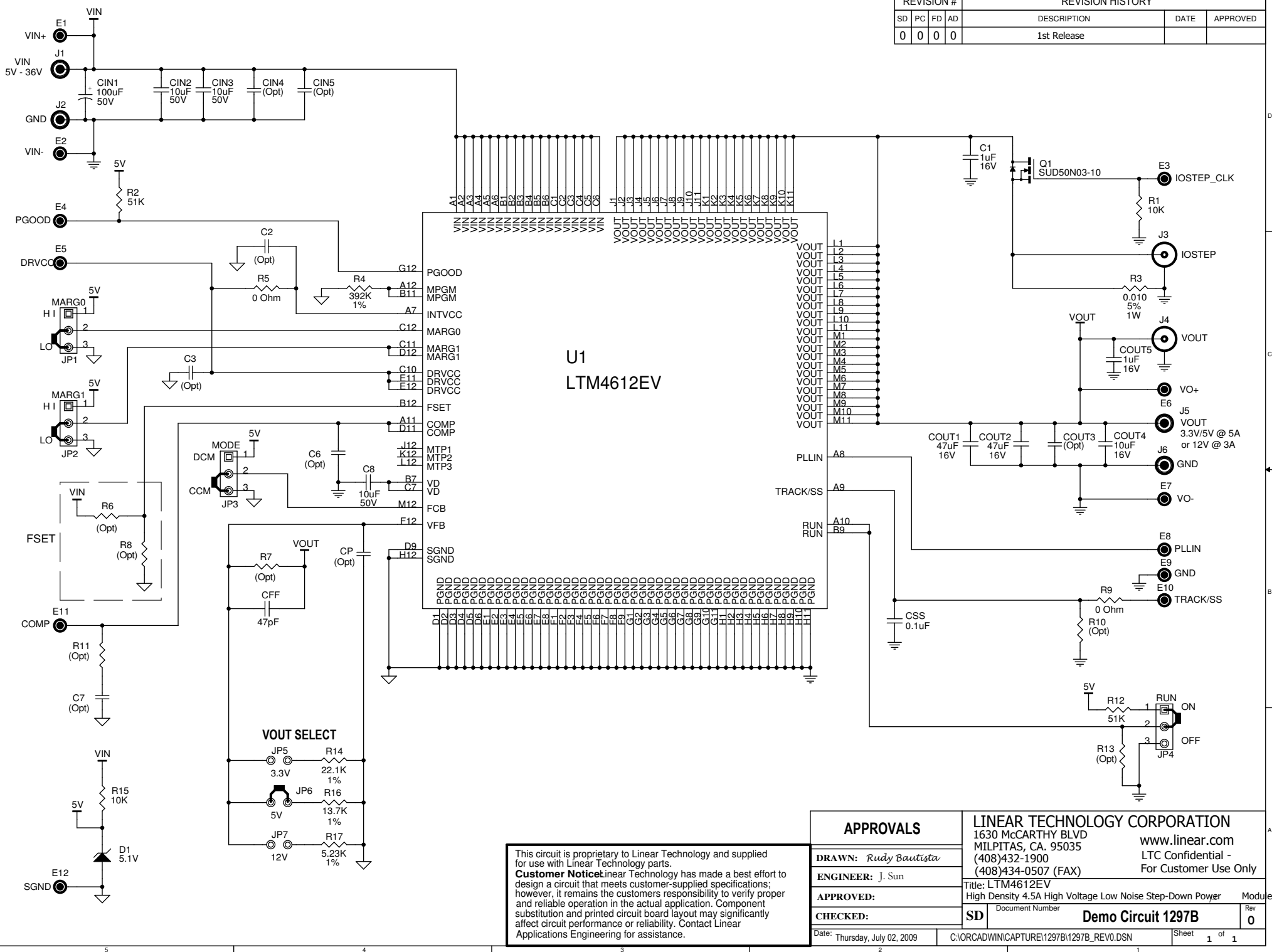


REVISION #				REVISION HISTORY		
SD	PC	FD	AD	DESCRIPTION	DATE	APPROVED
0	0	0	0	1st Release		



This circuit is proprietary to Linear Technology and supplied for use with Linear Technology parts.  
**Customer Notice:** Linear Technology has made a best effort to design a circuit that meets customer-supplied specifications; however, it remains the customer's responsibility to verify proper and reliable operation in the actual application. Component substitution and printed circuit board layout may significantly affect circuit performance or reliability. Contact Linear Applications Engineering for assistance.

APPROVALS		LINEAR TECHNOLOGY CORPORATION	
DRAWN: <i>Rudy Bautista</i>		1630 McCARTHY BLVD MILPITAS, CA. 95035 (408)432-1900 (408)434-0507 (FAX)	
ENGINEER: J. Sun		www.linear.com LTC Confidential - For Customer Use Only	
APPROVED:		Title: LTM4612EV High Density 4.5A High Voltage Low Noise Step-Down Power	
CHECKED:		Document Number	
Date: Thursday, July 02, 2009		SD <b>Demo Circuit 1297B</b>	
C:\ORCAD\WINCAPTURE\1297B\1297B_REV0.DSN		Sheet 1 of 1	