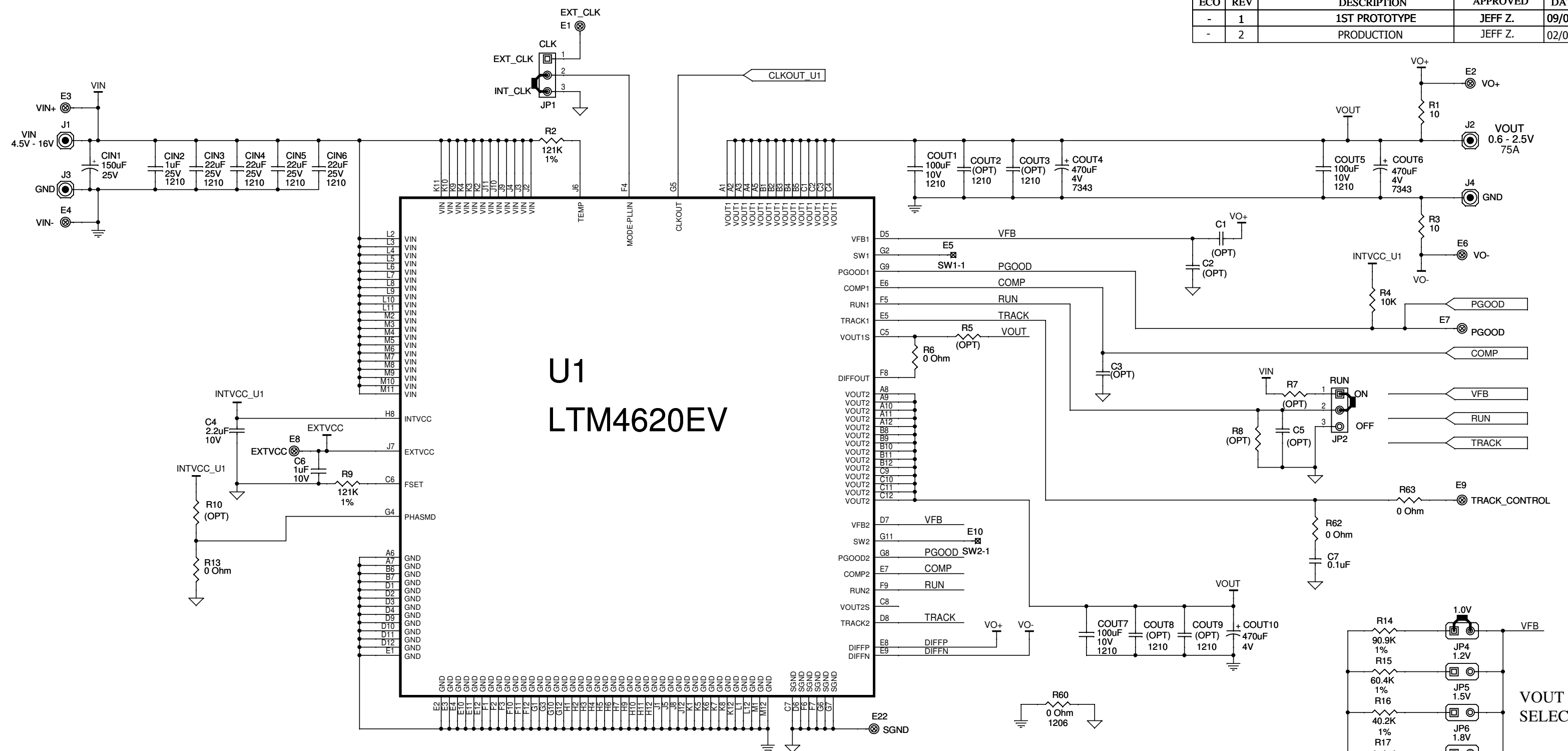
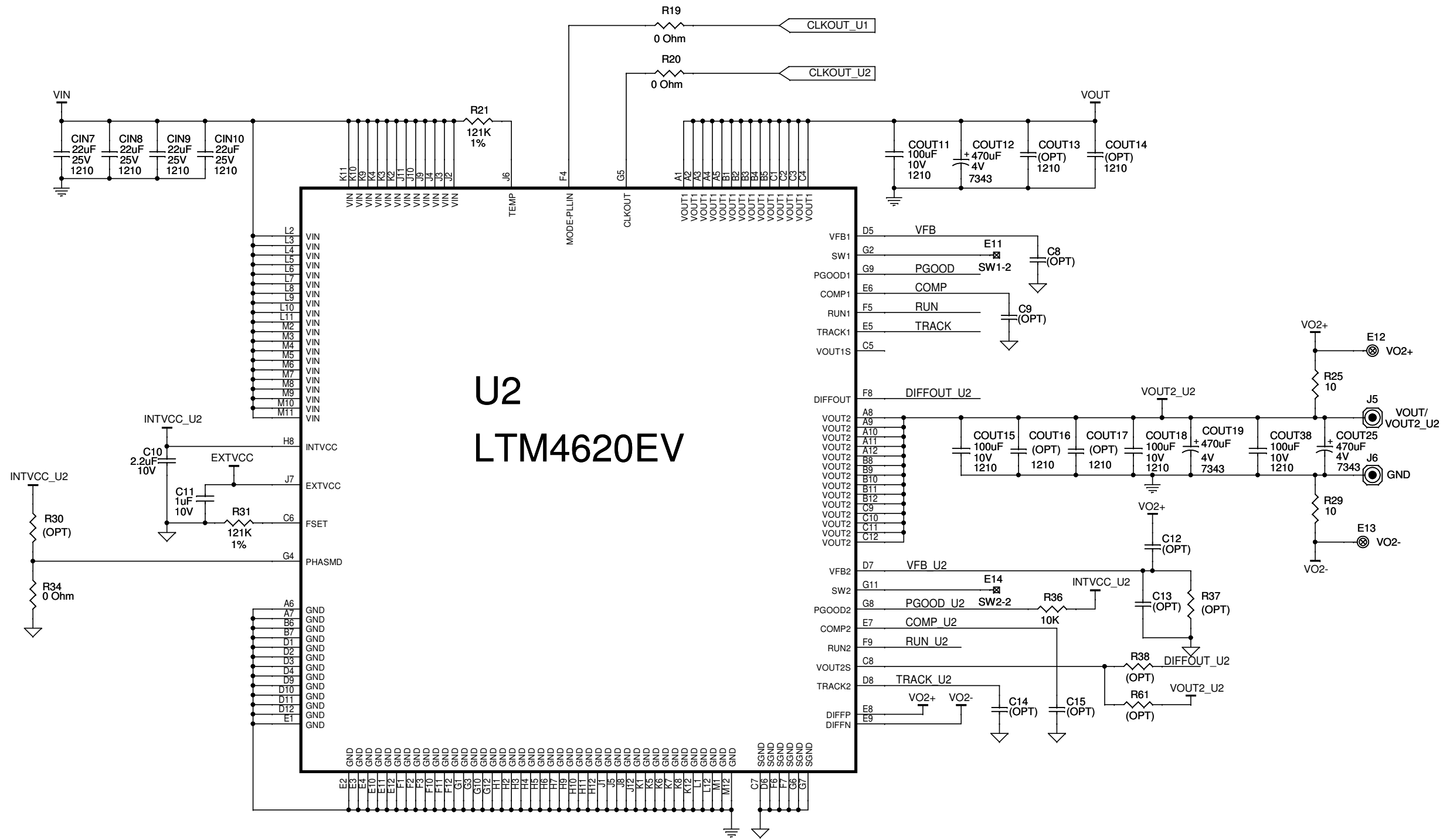


REVISION HISTORY				
ECO	REV	DESCRIPTION	APPROVED	DATE
-	1	1ST PROTOTYPE	JEFF Z.	09/02/10
-	2	PRODUCTION	JEFF Z.	02/06/12



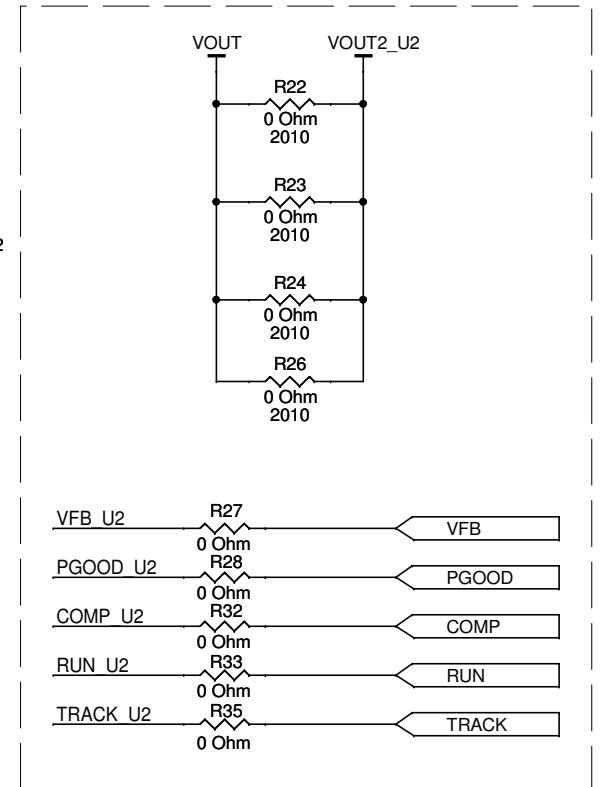
NOTE: UNLESS OTHERWISE SPECIFIED.
 1. ALL RESISTORS 0603.
 2. ALL CAPACITORS 0603.

CUSTOMER NOTICE LINEAR TECHNOLOGY HAS MADE A BEST EFFORT TO DESIGN A CIRCUIT THAT MEETS CUSTOMER-SUPPLIED SPECIFICATIONS; HOWEVER, IT REMAINS THE CUSTOMER'S RESPONSIBILITY TO VERIFY PROPER AND RELIABLE OPERATION IN THE ACTUAL APPLICATION. COMPONENT SUBSTITUTION AND PRINTED CIRCUIT BOARD LAYOUT MAY SIGNIFICANTLY AFFECT CIRCUIT PERFORMANCE OR RELIABILITY. CONTACT LINEAR TECHNOLOGY APPLICATIONS ENGINEERING FOR ASSISTANCE. <small>C:\PADS PROJECTS\1780A\SCH\1780A-B_REV2\1780A-B_00_REV2.DSN</small>		APPROVALS PCB DES. R'B APP ENG. JEFF Z.		 1630 McCarthy Blvd. Milpitas, CA 95035 www.linear.com Phone: (408)432-1900 Fax: (408)434-0507 <small>LTC CONFIDENTIAL - FOR CUSTOMER USE ONLY</small>	
		TITLE: SCHEMATIC HIGH EFFICIENCY, POLYPHASE, STEP-DOWN POWER μ MODULE REGULATOR			
THIS CIRCUIT IS PROPRIETARY TO LINEAR TECHNOLOGY AND SUPPLIED FOR USE WITH LINEAR TECHNOLOGY PARTS.		SCALE = NONE	SIZE N/A IC NO. LTM4620EV DEMO CIRCUIT 1780A-B	REV. 2	DATE: Monday, February 06, 2012 SHEET 1 OF 4



U2
LTM4620EV

DO NOT STUFF 0 OHM JUMPERS FOR SEPARATE VOUT2_U2.



CUSTOMER NOTICE

LINEAR TECHNOLOGY HAS MADE A BEST EFFORT TO DESIGN A CIRCUIT THAT MEETS CUSTOMER-SUPPLIED SPECIFICATIONS; HOWEVER, IT REMAINS THE CUSTOMER'S RESPONSIBILITY TO VERIFY PROPER AND RELIABLE OPERATION IN THE ACTUAL APPLICATION. COMPONENT SUBSTITUTION AND PRINTED CIRCUIT BOARD LAYOUT MAY SIGNIFICANTLY AFFECT CIRCUIT PERFORMANCE OR RELIABILITY. CONTACT LINEAR TECHNOLOGY APPLICATIONS ENGINEERING FOR ASSISTANCE.

THIS CIRCUIT IS PROPRIETARY TO LINEAR TECHNOLOGY AND SUPPLIED FOR USE WITH LINEAR TECHNOLOGY PARTS.

APPROVALS

PCB DES.	R/B
APP ENG.	JEFF Z.

SCALE = NONE



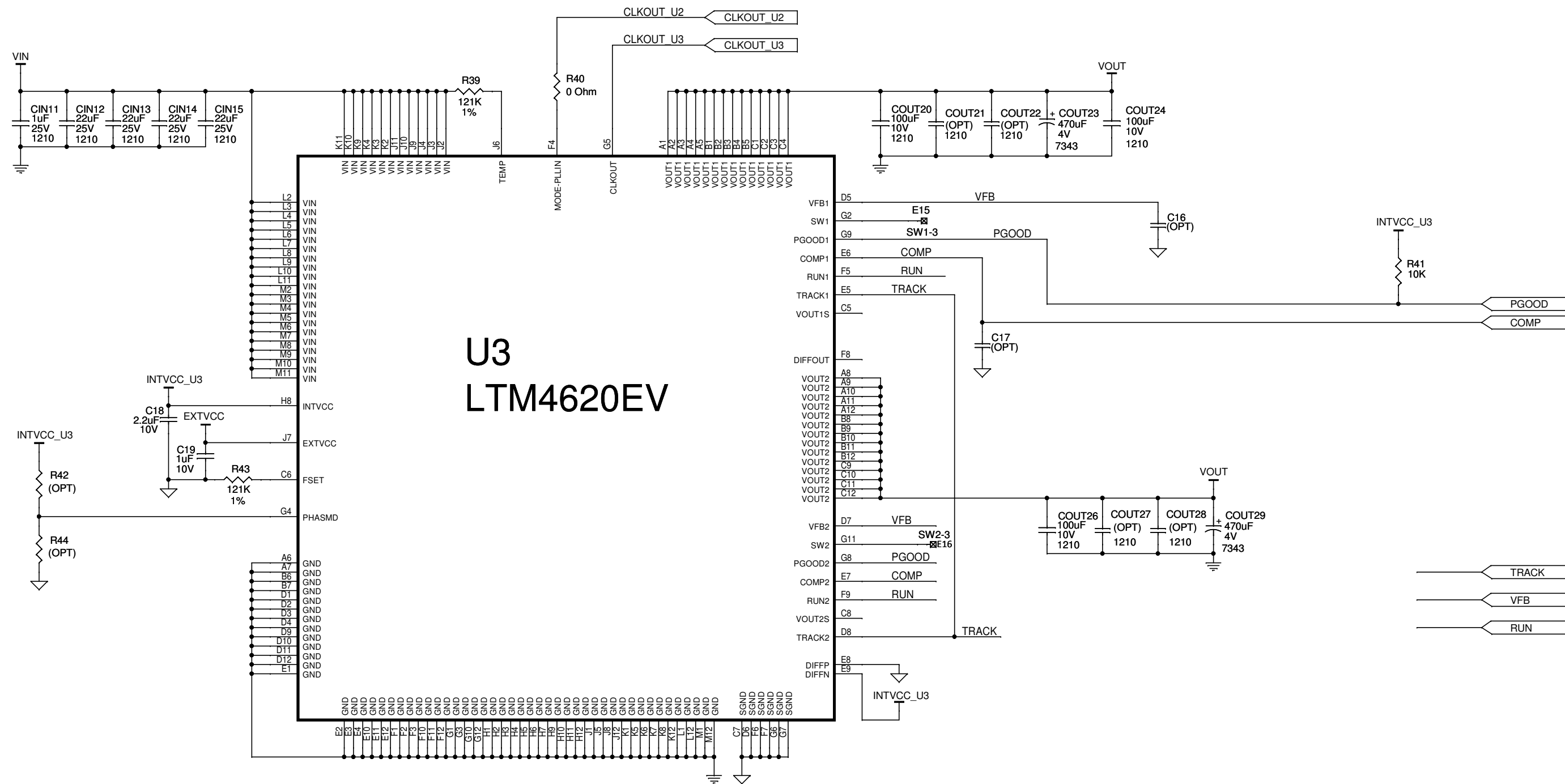
1630 McCarthy Blvd.
Milpitas, CA 95035 www.linear.com
Phone: (408)432-1900
Fax: (408)434-0507

LTC CONFIDENTIAL - FOR CUSTOMER USE ONLY

TITLE: SCHEMATIC
HIGH EFFICIENCY, POLYPHASE,
STEP-DOWN POWER μ MODULE REGULATOR

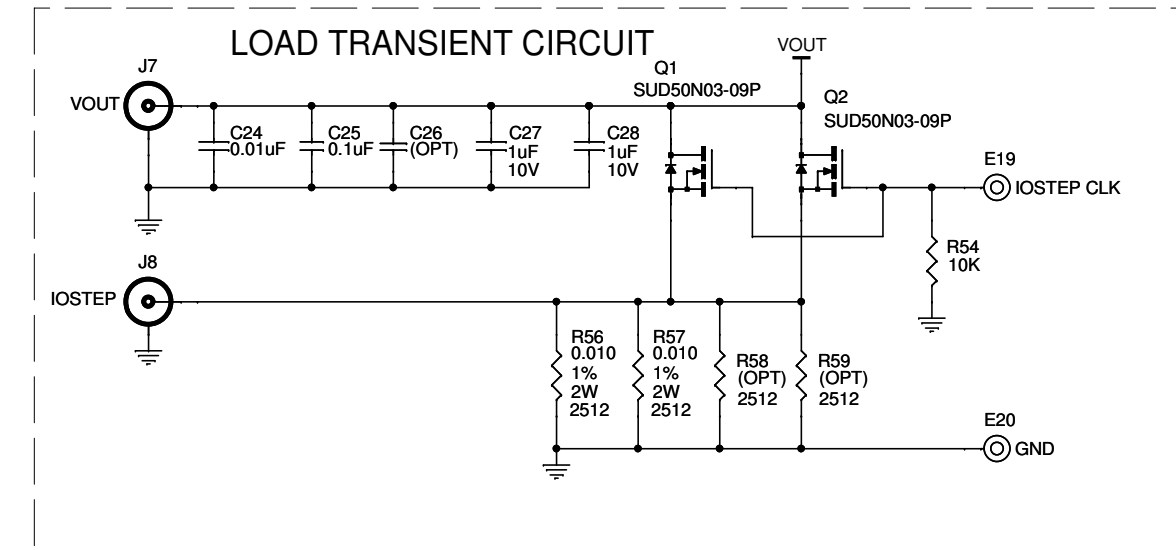
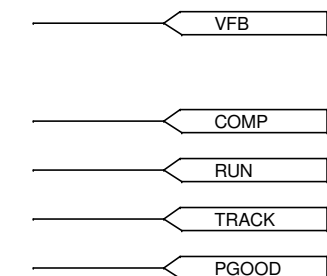
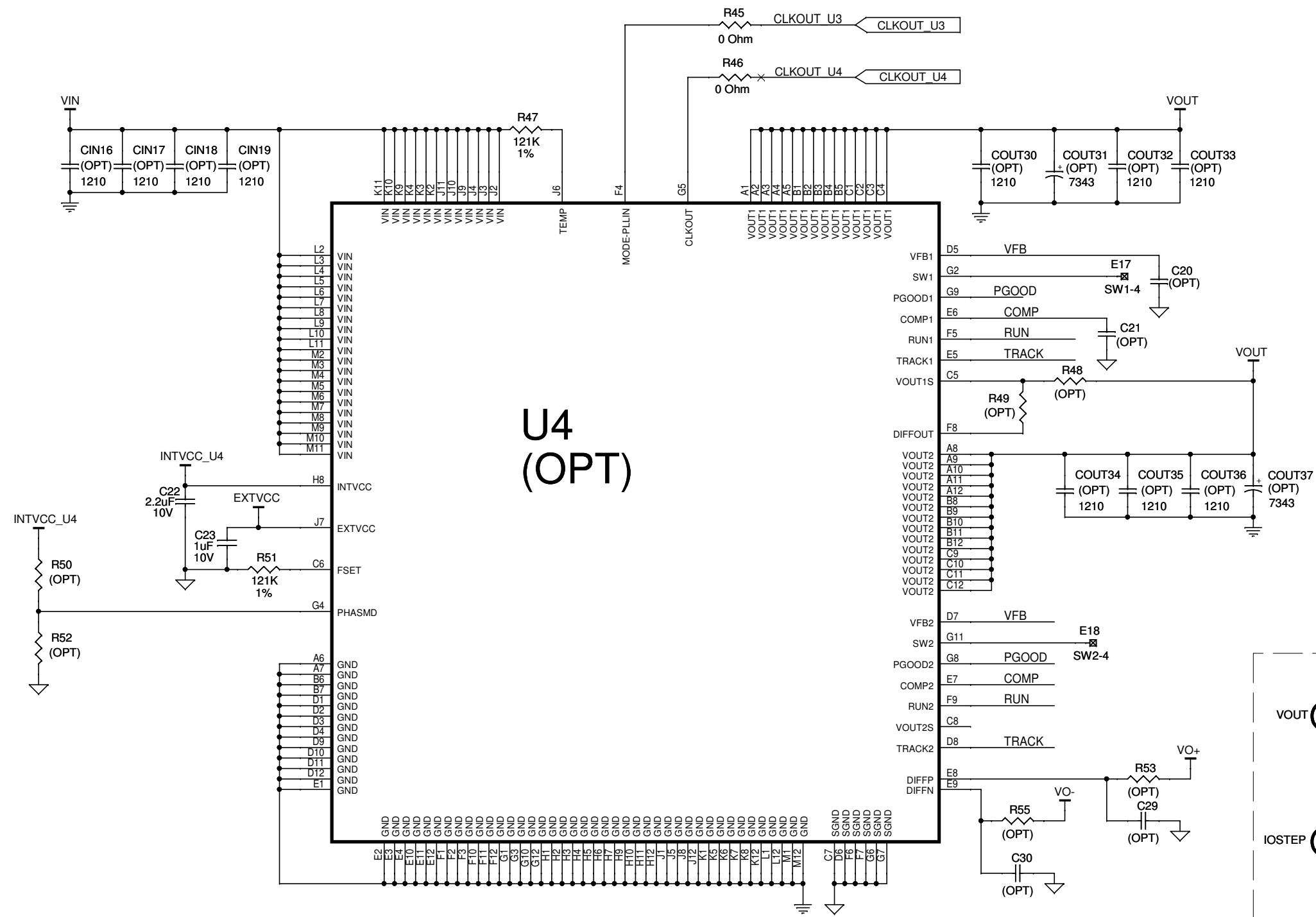
SIZE	IC NO.	REV.
N/A	LTM4620EV	2

DATE: Monday, February 06, 2012 SHEET 2 OF 4



U3
LTM4620EV

<p>CUSTOMER NOTICE</p> <p>LINEAR TECHNOLOGY HAS MADE A BEST EFFORT TO DESIGN A CIRCUIT THAT MEETS CUSTOMER-SUPPLIED SPECIFICATIONS; HOWEVER, IT REMAINS THE CUSTOMER'S RESPONSIBILITY TO VERIFY PROPER AND RELIABLE OPERATION IN THE ACTUAL APPLICATION. COMPONENT SUBSTITUTION AND PRINTED CIRCUIT BOARD LAYOUT MAY SIGNIFICANTLY AFFECT CIRCUIT PERFORMANCE OR RELIABILITY. CONTACT LINEAR TECHNOLOGY APPLICATIONS ENGINEERING FOR ASSISTANCE.</p>		<p>APPROVALS</p>		<p>LINEAR TECHNOLOGY</p> <p>1630 McCarthy Blvd. Milpitas, CA 95035 www.linear.com Phone: (408)432-1900 Fax: (408)434-0507 LTC CONFIDENTIAL - FOR CUSTOMER USE ONLY</p>	
		PCB DES.	R'B		
<p>THIS CIRCUIT IS PROPRIETARY TO LINEAR TECHNOLOGY AND SUPPLIED FOR USE WITH LINEAR TECHNOLOGY PARTS.</p>		<p>SCALE = NONE</p>		<p>TITLE: SCHEMATIC</p> <p>HIGH EFFICIENCY, POLYPHASE, STEP-DOWN POWER μMODULE REGULATOR</p>	
		SIZE	N/A	IC NO.	LTM4620EV
		DATE:	Monday, February 06, 2012	REV.	2
					SHEET 3 OF 4



CUSTOMER NOTICE LINEAR TECHNOLOGY HAS MADE A BEST EFFORT TO DESIGN A CIRCUIT THAT MEETS CUSTOMER-SUPPLIED SPECIFICATIONS; HOWEVER, IT REMAINS THE CUSTOMER'S RESPONSIBILITY TO VERIFY PROPER AND RELIABLE OPERATION IN THE ACTUAL APPLICATION. COMPONENT SUBSTITUTION AND PRINTED CIRCUIT BOARD LAYOUT MAY SIGNIFICANTLY AFFECT CIRCUIT PERFORMANCE OR RELIABILITY. CONTACT LINEAR TECHNOLOGY APPLICATIONS ENGINEERING FOR ASSISTANCE.		APPROVALS				1630 McCarthy Blvd. Milpitas, CA 95035 www.linear.com Phone: (408)432-1900 Fax: (408)434-0507 LTC CONFIDENTIAL - FOR CUSTOMER USE ONLY	
		PCB DES.	R'B			TITLE: SCHEMATIC	
THIS CIRCUIT IS PROPRIETARY TO LINEAR TECHNOLOGY AND SUPPLIED FOR USE WITH LINEAR TECHNOLOGY PARTS.		APP ENG.	JEFF Z.	HIGH EFFICIENCY, POLYPHASE, STEP-DOWN POWER μ MODULE REGULATOR		SIZE	IC NO.
		SCALE = NONE		DEMO CIRCUIT 1780A-B		N/A	LTM4620EV
		DATE:		Monday, February 06, 2012		REV. 2	
		SHEET 4 OF 4					