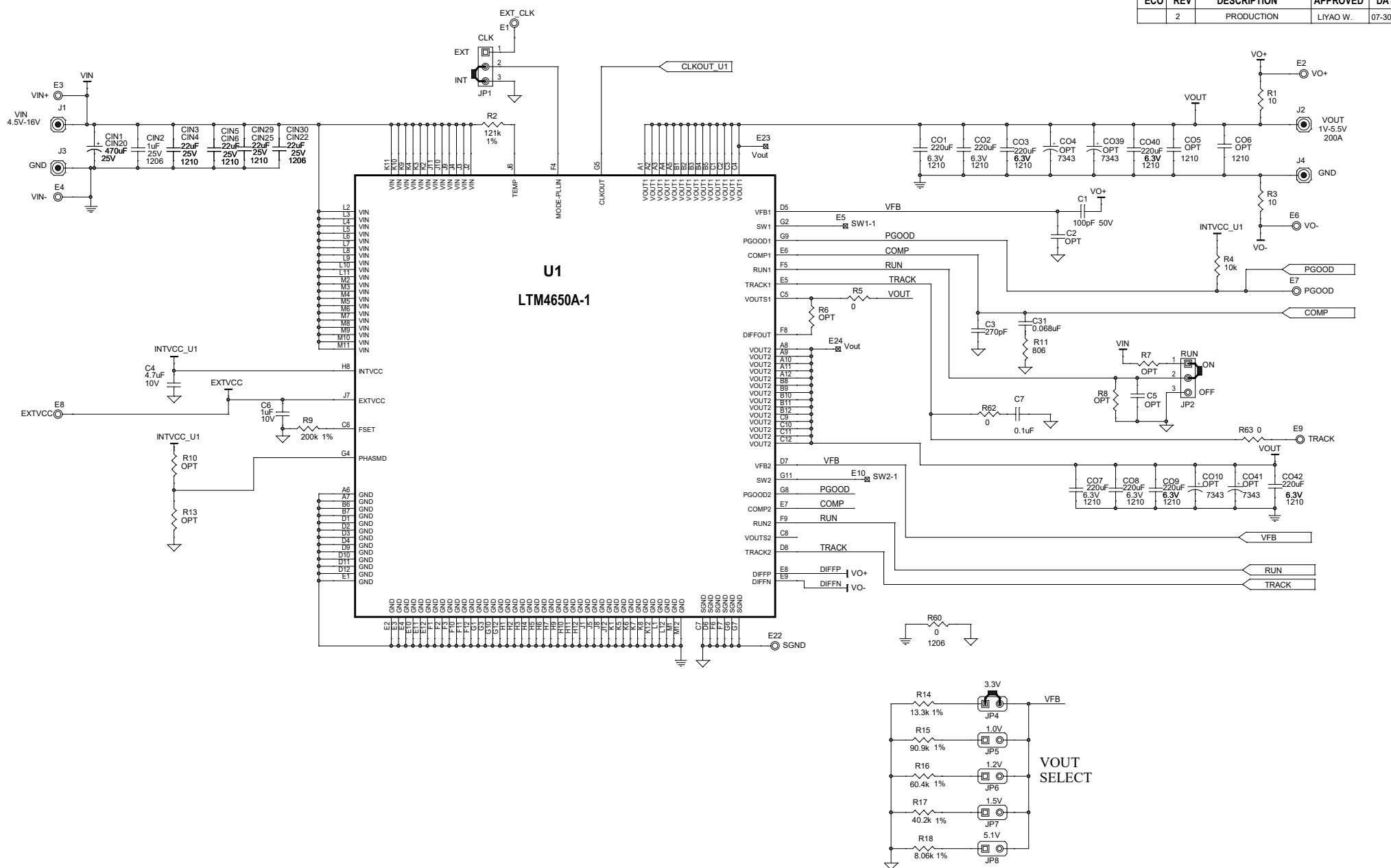


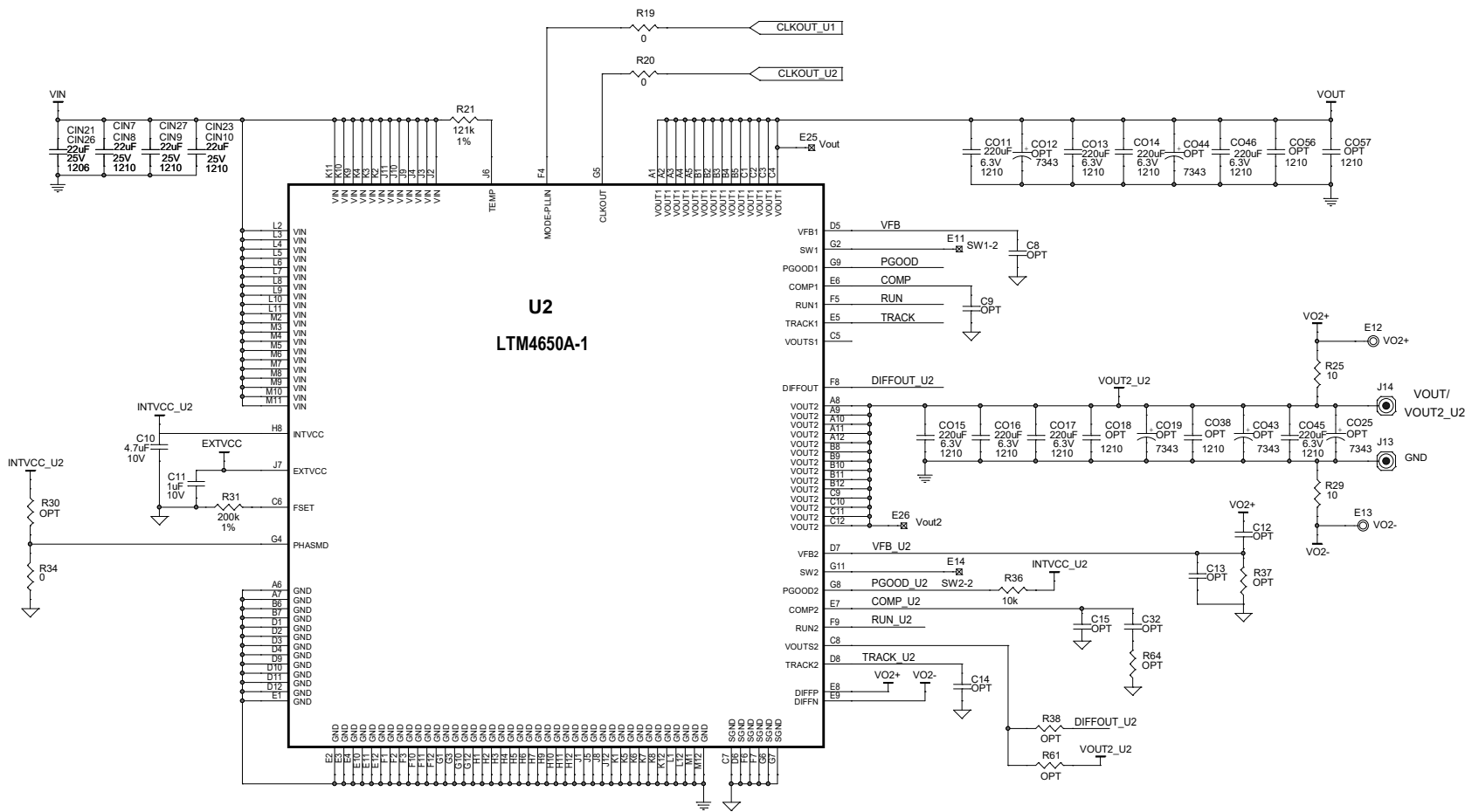
REVISION HISTORY				
ECO	REV	DESCRIPTION	APPROVED	DATE
	2	PRODUCTION	LIYAO W.	07-30-21



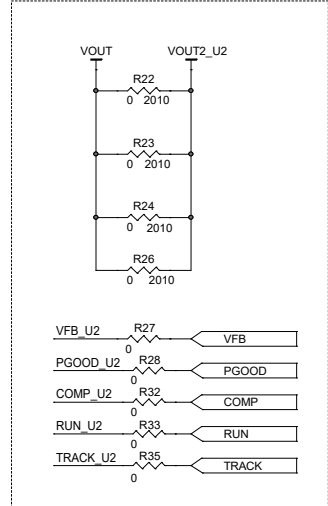
NOTE: UNLESS OTHERWISE SPECIFIED,
1. ALL CAPACITORS, RESISTORS 0603.

<Variant Name>

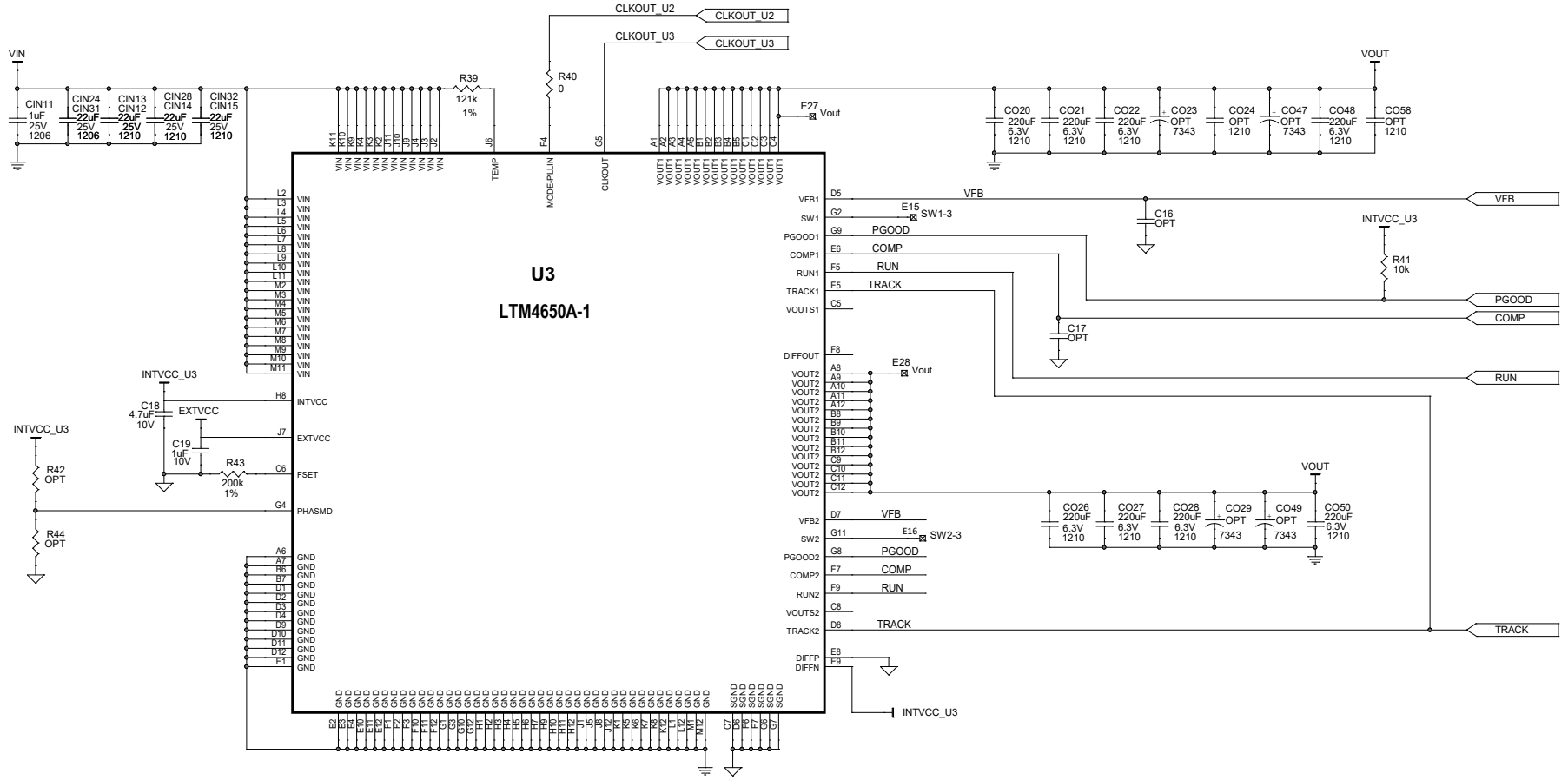
CUSTOMER NOTICE		APPROVALS		 AHEAD OF WHAT'S POSSIBLE™	2555 AUGUSTINE DRIVE SANTA CLARA, CA 95054 www.analog.com
<small>ANALOG DEVICES HAS MADE A BEST EFFORT TO DESIGN A CIRCUIT THAT MEETS CUSTOMER-SUPPLIED SPECIFICATIONS; HOWEVER, IT REMAINS THE CUSTOMER'S RESPONSIBILITY TO VERIFY PROPER AND RELIABLE OPERATION IN THE ACTUAL APPLICATION. COMPONENT SUBSTITUTION AND PRINTED CIRCUIT BOARD LAYOUT MAY SIGNIFICANTLY AFFECT CIRCUIT PERFORMANCE OR RELIABILITY. CONTACT ANALOG DEVICES APPLICATIONS ENGINEERING FOR ASSISTANCE.</small>		PCB DES.	LT		
		APP ENG.	Liyao Wu	TITLE: SCHEMATIC	
				HIGH EFFICIENCY, POLYPHASE STEP-DOWN DC/DC μMODULE REGULATOR	
				IC NO. LTM4650AEY-1	SCHEMATIC NO. AND REVISION: 710-DC3064A_REV02
				SKU NO. DC3064A	
THIS CIRCUIT IS PROPRIETARY TO ANALOG DEVICES AND SUPPLIED FOR USE WITH ANALOG DEVICES PARTS.		SIZE:	N/A	DATE: Friday, July 30, 2021	SHEET 1 OF 5



REMOVE 0 OHM JUMPERS FOR SEPARATE VOUT2_U2.

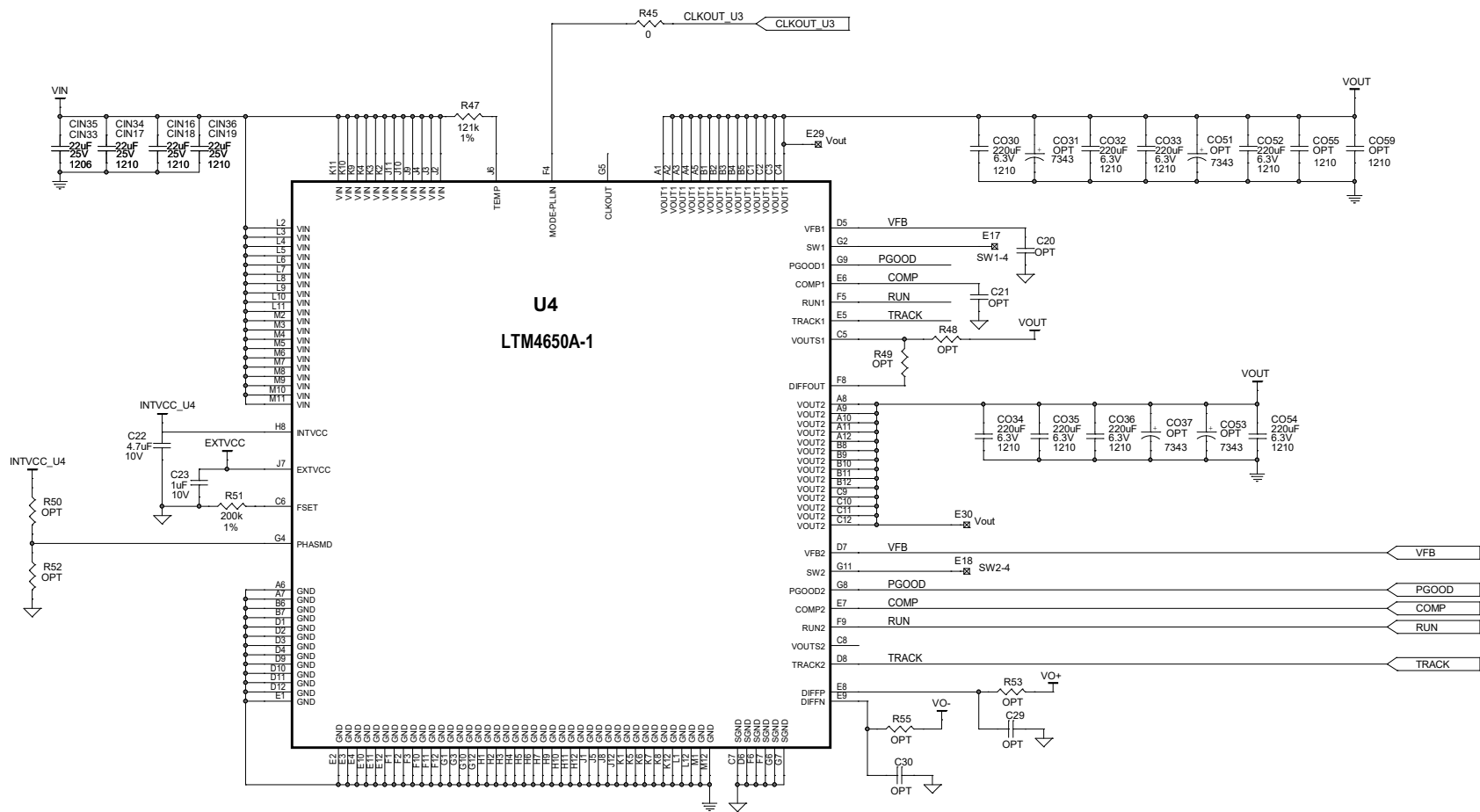


CUSTOMER NOTICE ANALOG DEVICES HAS MADE A BEST EFFORT TO DESIGN A CIRCUIT THAT MEETS CUSTOMER-SUPPLIED SPECIFICATIONS; HOWEVER, IT REMAINS THE CUSTOMER'S RESPONSIBILITY TO VERIFY PROPER AND RELIABLE OPERATION IN THE ACTUAL APPLICATION. COMPONENT SUBSTITUTION AND PRINTED CIRCUIT BOARD LAYOUT MAY SIGNIFICANTLY AFFECT CIRCUIT PERFORMANCE OR RELIABILITY. CONTACT ANALOG DEVICES APPLICATIONS ENGINEERING FOR ASSISTANCE.		APPROVALS PCB DES. LT APP ENG. Liyao Wu		ANALOG DEVICES AHEAD OF WHAT'S POSSIBLE™ 2555 AUGUSTINE DRIVE SANTA CLARA, CA 95054 www.analog.com
THIS CIRCUIT IS PROPRIETARY TO ANALOG DEVICES AND SUPPLIED FOR USE WITH ANALOG DEVICES PARTS.		TITLE: SCHEMATIC HIGH EFFICIENCY, POLYPHASE STEP-DOWN DC/DC uMODULE REGULATOR IC NO. LTM4650EY-1 SKU NO. DC3064A SIZE: N/A DATE: Friday, July 30, 2021		




<Variant Name>

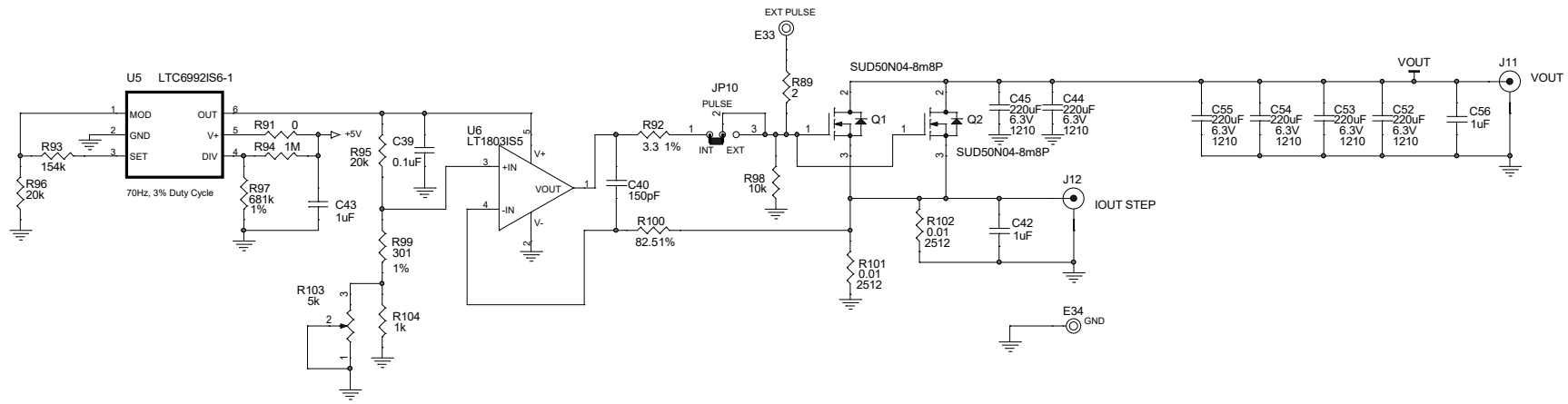
CUSTOMER NOTICE ANALOG DEVICES HAS MADE A BEST EFFORT TO DESIGN A CIRCUIT THAT MEETS CUSTOMER-SUPPLIED SPECIFICATIONS; HOWEVER, IT REMAINS THE CUSTOMER'S RESPONSIBILITY TO VERIFY PROPER AND RELIABLE OPERATION IN THE ACTUAL APPLICATION. COMPONENT SUBSTITUTION AND PRINTED CIRCUIT BOARD LAYOUT MAY SIGNIFICANTLY AFFECT CIRCUIT PERFORMANCE OR RELIABILITY. CONTACT ANALOG DEVICES APPLICATIONS ENGINEERING FOR ASSISTANCE.	APPROVALS PCB DES. LT APP ENG. Liyao Wu		ANALOG DEVICES AHEAD OF WHAT'S POSSIBLE™ 2555 AUGUSTINE DRIVE SANTA CLARA, CA 95054 www.analog.com
	TITLE: SCHEMATIC HIGH EFFICIENCY, POLYPHASE STEP-DOWN DC/DC μMODULE REGULATOR		
THIS CIRCUIT IS PROPRIETARY TO ANALOG DEVICES AND SUPPLIED FOR USE WITH ANALOG DEVICES PARTS.	IC NO. LTM4650EY-1 SKU NO. DC3064A		SCHEMATIC NO. AND REVISION: 710-DC3064A_REV02
	SIZE: N/A	DATE: Friday, July 30, 2021	SHEET 3 OF 5



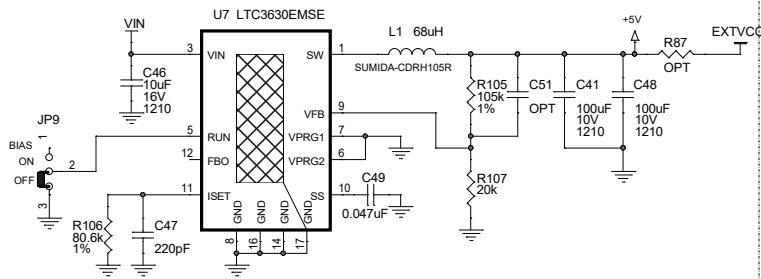
<Variant Name>

CUSTOMER NOTICE		APPROVALS		 ANALOG DEVICES AHEAD OF WHAT'S POSSIBLE™	2555 AUGUSTINE DRIVE SANTA CLARA, CA 95054 www.analog.com						
<small>ANALOG DEVICES HAS MADE A BEST EFFORT TO DESIGN A CIRCUIT THAT MEETS CUSTOMER-SUPPLIED SPECIFICATIONS; HOWEVER, IT REMAINS THE CUSTOMER'S RESPONSIBILITY TO VERIFY PROPER AND RELIABLE OPERATION IN THE ACTUAL APPLICATION. COMPONENT SUBSTITUTION AND PRINTED CIRCUIT BOARD LAYOUT MAY SIGNIFICANTLY AFFECT CIRCUIT PERFORMANCE OR RELIABILITY. CONTACT ANALOG DEVICES APPLICATIONS ENGINEERING FOR ASSISTANCE.</small>		PCB DES.	LT			TITLE: SCHEMATIC HIGH EFFICIENCY, POLYPHASE STEP-DOWN DC/DC uMODULE REGULATOR					
		APP ENG.	Liyao Wu	IC NO.	LTM4650EY-1			SCHMATIC NO. AND REVISION:	710-DC3064A_REV02		
<small>THIS CIRCUIT IS PROPRIETARY TO ANALOG DEVICES AND SUPPLIED FOR USE WITH ANALOG DEVICES PARTS.</small>				SKU NO.	DC3064A	SIZE:	N/A	DATE:	Friday, July 30, 2021	SHEET	4 OF 5

DYNAMIC LOAD CIRCUIT



OPTIONAL 5V BIAS



PCA ADDITIONAL PARTS

MP5	STANDOFF,NYLON,SNAP-ON,0.50"
MP6	STANDOFF,NYLON,SNAP-ON,0.50"
MP7	STANDOFF,NYLON,SNAP-ON,0.50"
MP8	STANDOFF,NYLON,SNAP-ON,0.50"
LB1	BOARD S/N LABEL 895-0154
PCB1	PCB, DC3064A REV02
STNCL1	TOOL, STENCIL, DC3064A REV02

<Variant Name>

CUSTOMER NOTICE ANALOG DEVICES HAS MADE A BEST EFFORT TO DESIGN A CIRCUIT THAT MEETS CUSTOMER-SUPPLIED SPECIFICATIONS; HOWEVER, IT REMAINS THE CUSTOMER'S RESPONSIBILITY TO VERIFY PROPER AND RELIABLE OPERATION IN THE ACTUAL APPLICATION. COMPONENT SUBSTITUTION AND PRINTED CIRCUIT BOARD LAYOUT MAY SIGNIFICANTLY AFFECT CIRCUIT PERFORMANCE OR RELIABILITY. CONTACT ANALOG DEVICES APPLICATIONS ENGINEERING FOR ASSISTANCE.	APPROVALS PCB DES. LT APP ENG. Liyao Wu		2555 AUGUSTINE DRIVE SANTA CLARA, CA 95054 www.analog.com
	TITLE: SCHEMATIC HIGH EFFICIENCY, POLYPHASE STEP-DOWN DC/DC uMODULE REGULATOR		
THIS CIRCUIT IS PROPRIETARY TO ANALOG DEVICES AND SUPPLIED FOR USE WITH ANALOG DEVICES PARTS.	IC NO. LTM4650EY-1 SKU NO. DC3064A	SCHEMATIC NO. AND REVISION: 710-DC3064A_REV02	SIZE: N/A DATE: Friday, July 30, 2021 SHEET 5 OF 5