

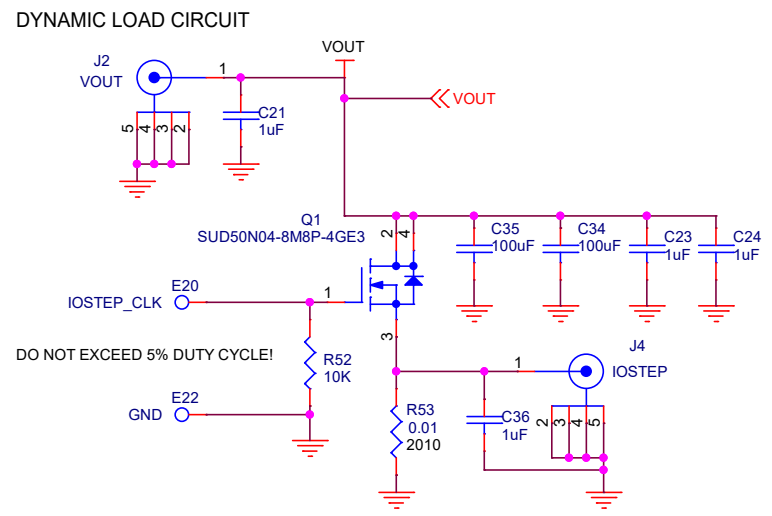
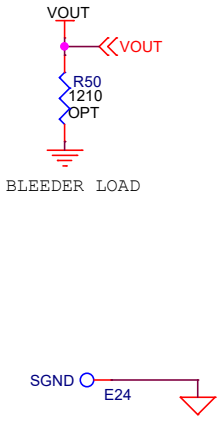
NOTE: UNLESS OTHERWISE SPECIFIED

1. ALL RESISTORS AND CAP ARE 0603.
2. WHEN VIN<5.75V, SHORT INTVCC TO VIN WITH R8=0
3. WHEN EXTVCC IS USED, R106=OPEN



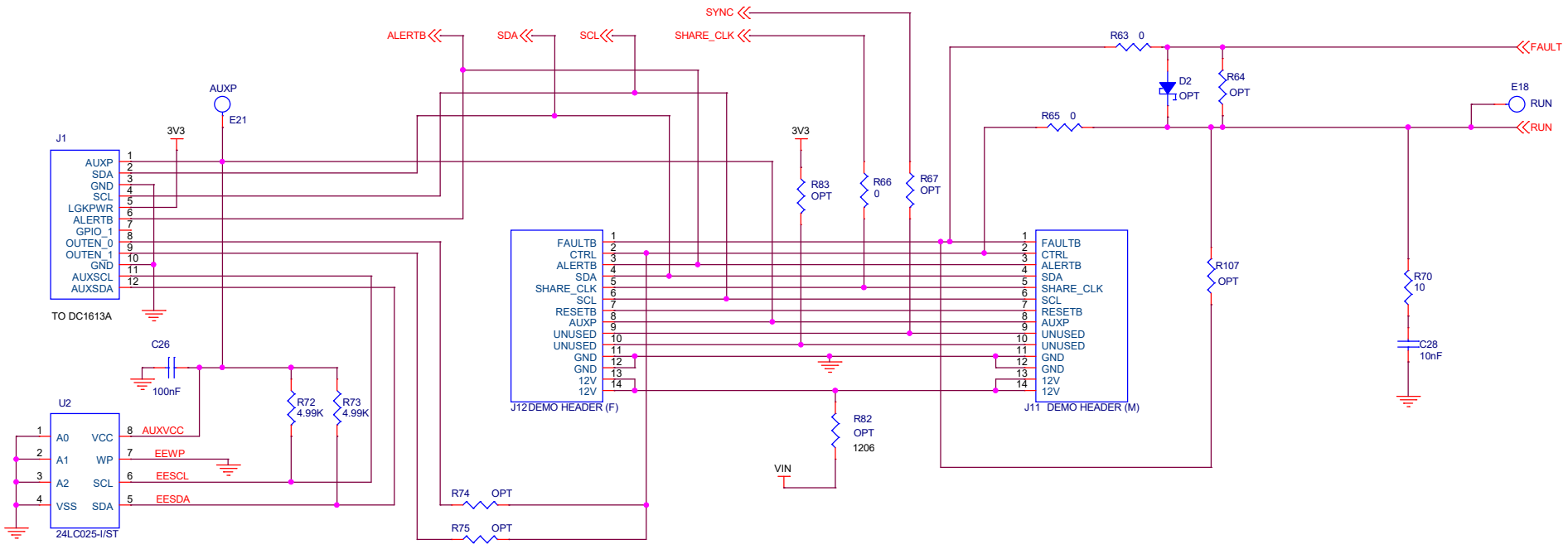
CUSTOMER NOTICE		APPROVALS		ANALOG DEVICES		POWER BY LINEAR	
ANALOG DEVICES HAS MADE A BEST EFFORT TO DESIGN A CIRCUIT THAT MEETS CUSTOMER-SUPPLIED SPECIFICATIONS. HOWEVER, IT REMAINS THE CUSTOMER'S RESPONSIBILITY TO VERIFY PROPER AND RELIABLE OPERATION IN THE ACTUAL APPLICATION. COMPONENT SUBSTITUTION AND PRINTED CIRCUIT BOARD LAYOUT MAY SIGNIFICANTLY AFFECT CIRCUIT PERFORMANCE OR RELIABILITY. CONTACT ANALOG DEVICES APPLICATIONS ENGINEERING FOR ASSISTANCE.				PCR DES.	HZ	www.analog.com Phone: (408)432-1900	
				APP ENG.	Yan.L.		
THIS CIRCUIT IS PROPRIETARY TO ANALOG DEVICES AND SUPPLIED FOR USE WITH ANALOG DEVICES PARTS.				TITLE: SCHEMATIC			
				DUAL PHASE SINGLE 60A OUTPUT STEP-DOWN uMODULE REGULATOR WITH DIGITAL POWER MANAGEMENT			
				IC NO. LTM4680EY		SCHEMATIC NO. AND REVISION: DC2845A_REV01	
				SIZE: N/A	DATE: Friday, March 18, 2022	SHEET 1 OF 3	

ALL PARTS ON THIS PAGE ARE FOR DEMO ONLY, NOT NEEDED IN CUSTOMER DESIGN

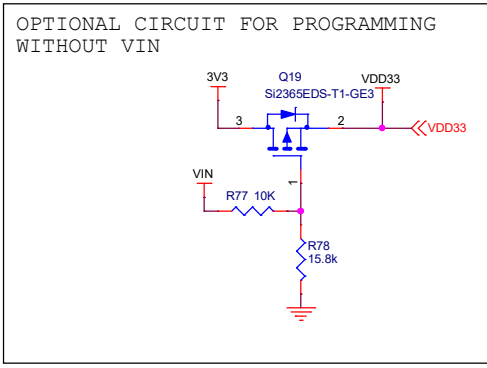


<p>CUSTOMER NOTICE</p> <p>ANALOG DEVICES HAS MADE A BEST EFFORT TO DESIGN A CIRCUIT THAT MEETS CUSTOMER-SUPPLIED SPECIFICATIONS; HOWEVER, IT REMAINS THE CUSTOMER'S RESPONSIBILITY TO VERIFY PROPER AND RELIABLE OPERATION IN THE ACTUAL APPLICATION. COMPONENT SUBSTITUTION AND PRINTED CIRCUIT BOARD LAYOUT MAY SIGNIFICANTLY AFFECT CIRCUIT PERFORMANCE OR RELIABILITY. CONTACT ANALOG DEVICES APPLICATIONS ENGINEERING FOR ASSISTANCE.</p>	<p>APPROVALS</p>		<p>www.analog.com Phone: (408)432-1900</p>
	PCB DES.	HZ	
APP ENG.	Yan L.	<p>IC NO. LTM4680EY</p> <p>SKU NO. DC2845A</p>	<p>SCHEMATIC NO. AND REVISION:</p> <p>DC2845A_REV01</p>
<p>THIS CIRCUIT IS PROPRIETARY TO ANALOG DEVICES AND SUPPLIED FOR USE WITH ANALOG DEVICES PARTS.</p>	<p>SIZE: N/A</p>	<p>DATE: Friday, March 18, 2022</p>	<p>SHEET 2 OF 3</p>

ALL PARTS ON THIS PAGE ARE FOR DEMO BOARD ONLY, NOT NEEDED IN CUSTOMER DESIGN



PSM STACKING CONNECTORS:
 J12, FEMALE, CONN RECEPT 2MM DUAL R/A 14POS, Sullins Conn. NPPN072FJFN-RC
 J11, MALE CONN HEADER 14POS 2MM R/A GOLD, Molex Connector Corp. 87760-1416



CUSTOMER NOTICE
 ANALOG DEVICES HAS MADE A BEST EFFORT TO DESIGN A CIRCUIT THAT MEETS CUSTOMER-SUPPLIED SPECIFICATIONS; HOWEVER, IT REMAINS THE CUSTOMER'S RESPONSIBILITY TO VERIFY PROPER AND RELIABLE OPERATION IN THE ACTUAL APPLICATION. COMPONENT SUBSTITUTION AND PRINTED CIRCUIT BOARD LAYOUT MAY SIGNIFICANTLY AFFECT CIRCUIT PERFORMANCE OR RELIABILITY. CONTACT ANALOG DEVICES APPLICATIONS ENGINEERING FOR ASSISTANCE.

THIS CIRCUIT IS PROPRIETARY TO ANALOG DEVICES AND SUPPLIED FOR USE WITH ANALOG DEVICES PARTS.

APPROVALS	
PCB DES.	HZ
APP ENG.	Yan L.

www.analog.com		Phone: (408)432-1900	
TITLE: SCHEMATIC DUAL PHASE SINGLE 60A OUTPUT STEP-DOWN uMODULE REGULATOR WITH DIGITAL POWER MANAGEMENT			
IC NO. LTM4680EY		SCHEMATIC NO. AND REVISION:	
SKU NO. DC2845A		DC2845A_REV01	
SIZE: N/A	DATE: Friday, March 18, 2022	SHEET 3 OF 3	