

High Voltage μ Module Regulator

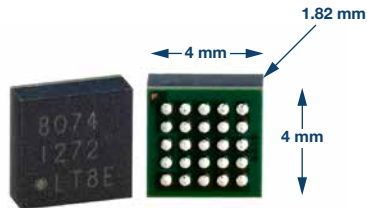
*Input Range: Up to 60 V,
Output: Up to 48 V*

	Part Number	V_{IN} Range	V_{OUT} Range	EMC Compliant	I_{OUT}	Package Size (mm)	
Step-Down	LTM8074	3.2 V to 40 V	0.8 V to 12 V	CISPR 22 Class B	1.2 A continuous, 1.75 A peak	4 × 4 × 1.82	BGA
	LTM8063	3.2 V to 40 V	0.8 V to 15 V	CISPR 22 Class B	2 A continuous, 2.5 A peak	6.25 × 4 × 2.22	BGA
	LTM8065	3.4 V to 40 V	0.97 V to 18 V	CISPR 22 Class B	2.5 A continuous, 3.5 A peak	6.25 × 6.25 × 2.32	BGA
	LTM8002	3.4 V to 40 V	0.97 V to 18 V	CISPR 25 Class 5	2.8 A continuous, 3.5 A Peak	6.25 × 6.25 × 2.22	BGA
	LTM8053	3.4 V to 40 V	0.97 V to 15 V	CISPR 22 Class B	3.5 A constant, 6 A peak	6.25 × 9 × 3.32	BGA
	LTM8003	3.4 V to 40 V	0.97 V to 18 V	CISPR 25 Class 5	3.5 A continuous, 6 A peak	6.25 × 9 × 3.32	BGA
	LTM8050	3.6 V to 58 V	0.8 V to 24 V		2 A	9 × 15 × 4.92	BGA
	LTM4653	3.1 V to 58 V	0.5 V to 54.5 V	EN 55022 Class B	4 A	15 × 9 × 5.01	BGA
	LTM8073	3.4 V to 60 V	0.8 V to 15 V	CISPR 22 Class B	3 A continuous, 5 A peak	6.25 × 9 × 3.32	BGA
	LTM8071	3.6 V to 60 V	0.97 V to 15 V	CISPR 22 Class B	5 A continuous, 7.25 A peak	9 × 11.25 × 3.32	BGA
Step-Down: Constant Current Constant Voltage	LTM8026	6 V to 36 V	1.2 V to 24 V		5 A	11.25 × 15 × 2.82	LGA
						11.25 × 15 × 3.42	BGA
	LTM8052	6 V to 36 V	1.2 V to 24 V		5 A (sink and source)	11.25 × 15 × 2.82	LGA
					11.25 × 15 × 3.42	BGA	
LTM8064	6 V to 58 V	1.2 V to 36 V		7 A (sink), 9 A (source)	16 × 11.9 × 4.92	BGA	
Isolated (2 kV AC)	LTM8067	2.8 V to 40 V	2.5 V to 24 V		450 mA	9 × 11.25 × 4.92	BGA
	LTM8068	2.8 V to 40 V	V_{OUT1} : 1.2 V to 18 V V_{OUT2} : 2.5 V to 18 V		I_{OUT1} : 300 mA (LDO) I_{OUT2} : 450 mA	9 × 11.25 × 4.92	BGA
Buck-Boost	LTM8054	5 V to 36 V	1.2 V to 36 V		5.4 A	11.25 × 15 × 3.42	BGA
	LTM8055	5 V to 36 V	1.2 V to 36 V		8.5 A	15 × 15 × 4.92	BGA
	LTM8056	5 V to 58 V	1.2 V to 48 V		5.5 A	15 × 15 × 4.92	BGA
Inverting	LTM4651	3.6 V to 58 V	-0.5 V to -26.5 V	EN 55022 Class B	4 A	9 × 15 × 5.01	BGA

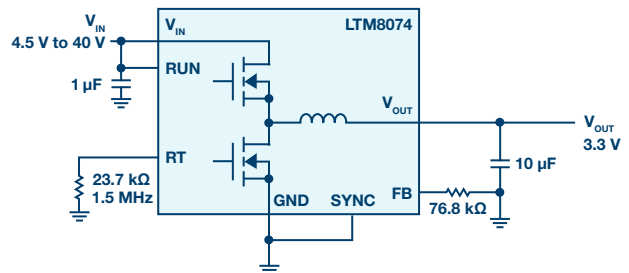
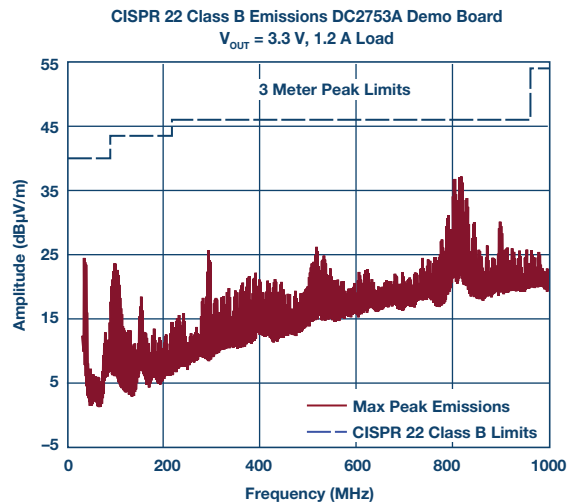
LTM8074

40 V, 1.2 A (Continuous), 1.75 A (Peak) Silent Switcher Step-Down μ Module Regulator

- ▶ V_{IN} range: 3.2 V to 40 V
- ▶ V_{OUT} range: 0.8 V to 12 V
- ▶ I_{OUT} : 1.2 A (continuous), 1.75 A (peak)
- ▶ Low noise, Silent Switcher[®] architecture
- ▶ CISPR 22 Class B compliant
- ▶ Require only four external components
- ▶ 4 mm × 4 mm × 1.82 mm BGA package



LTM8074 package photo.

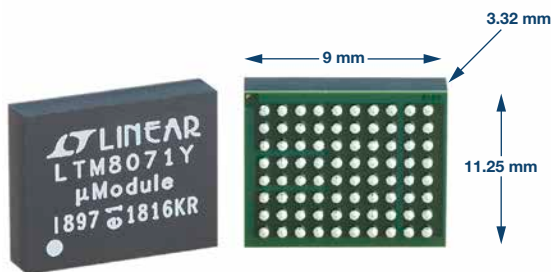


LTM8074 typical application.

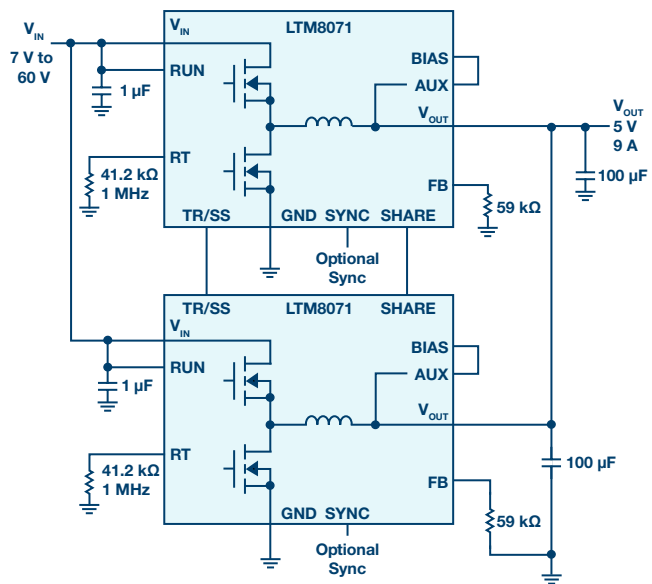
LTM8071

60 V, 5 A (Continuous), 7.25 A (Peak) Silent Switcher Step-Down μ Module Regulator

- ▶ V_{IN} range: 3.6 V to 60 V
- ▶ V_{OUT} range: 0.97 V to 15 V
- ▶ I_{OUT} : 5 A (continuous), 7.25 A (peak)
- ▶ Low noise, Silent Switcher architecture
- ▶ CISPR 22 Class B compliant
- ▶ Parallelable up to 9 A
- ▶ 9 mm × 11.25 mm × 3.32 mm BGA package



LTM8071 package photo.



Two LTM8071s can deliver up to 9 A.

Analog Devices, Inc. Worldwide Headquarters

Analog Devices, Inc.
One Technology Way
P.O. Box 9106
Norwood, MA 02062-9106
U.S.A.
Tel: 781.329.4700
(800.262.5643, U.S.A. only)
Fax: 781.461.3113

Analog Devices, Inc. Europe Headquarters

Analog Devices GmbH
Ott-Aicher-Str. 60-64
80807 München
Germany
Tel: 49.89.76903.0
Fax: 49.89.76903.157

Analog Devices, Inc. Japan Headquarters

Analog Devices, KK
New Pier Takeshiba
South Tower Building
1-16-1 Kaigan, Minato-ku,
Tokyo, 105-6891
Japan
Tel: 813.5402.8200
Fax: 813.5402.1064

Analog Devices, Inc. Asia Pacific Headquarters

Analog Devices
5F, Sandhill Plaza
2290 Zuchongzhi Road
Zhangjiang Hi-Tech Park
Pudong New District
Shanghai, China 201203
Tel: 86.21.2320.8000
Fax: 86.21.2320.8222

©2019 Analog Devices, Inc. All rights reserved. Trademarks and registered trademarks are the property of their respective owners. Ahead of What's Possible is a trademark of Analog Devices.
PH21240-4/19

analog.com



AHEAD OF WHAT'S POSSIBLE™