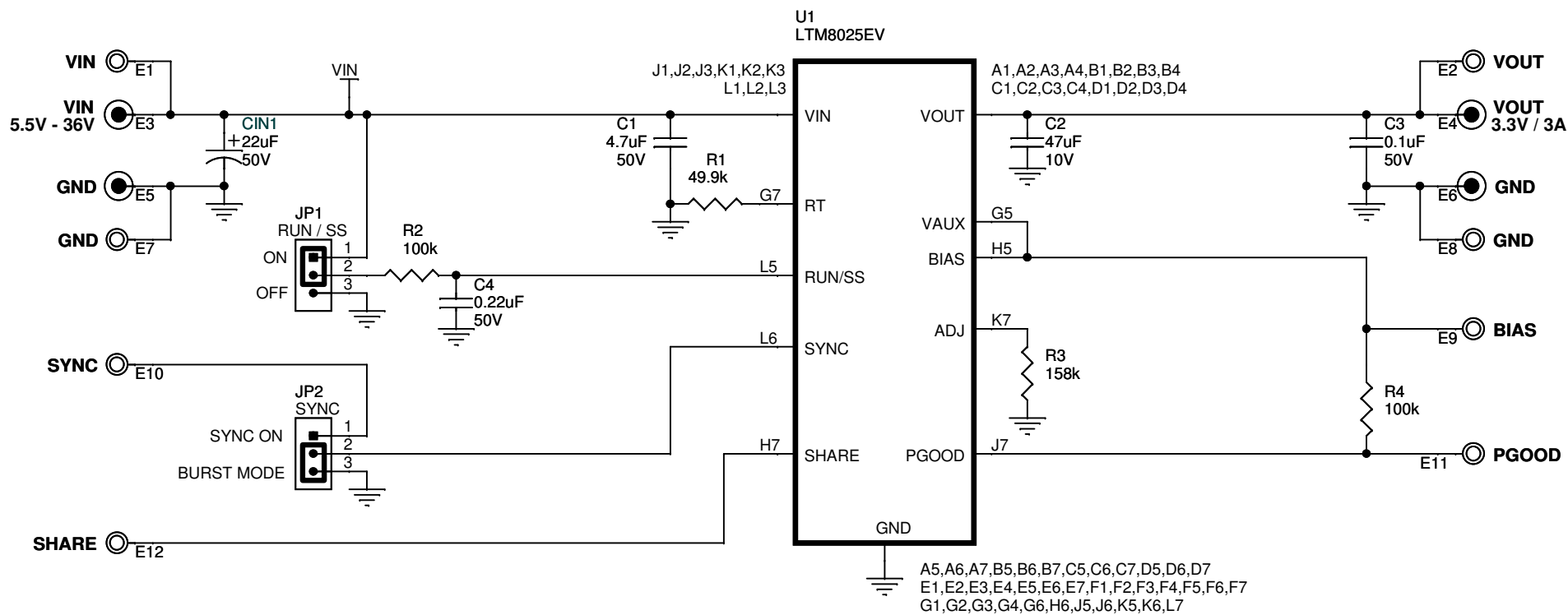
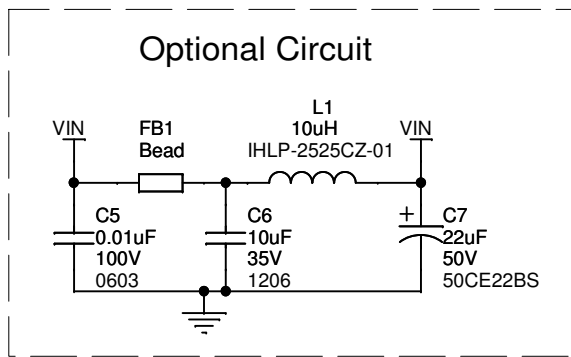


NOTES: UNLESS OTHERWISE SPECIFIED



A5,A6,A7,B5,B6,B7,C5,C6,C7,D5,D6,D7  
 E1,E2,E3,E4,E5,E6,E7,F1,F2,F3,F4,F5,F6,F7  
 G1,G2,G3,G4,G6,H6,J5,J6,K5,K6,L7



LTC CONFIDENTIAL - FOR CUSTOMER USE ONLY

### Customer Notice

Linear Technology Has Made A Best Effort To Design A Circuit That Meets Customer-Supplied Specifications; However, It Remains The Customer's Responsibility To Verify Proper And Reliable Operation In The Actual Application. Component Substitution And Printed Circuit Board Layout May Significantly Affect Circuit Performance Or Reliability. Contact Linear Technology Applications Engineering For Assistance.  
 This Circuit Is Proprietary To Linear Technology And Supplied For Use With Linear Technology Parts.

### Linear Technology Corporation

1630 McCarthy Blvd.  
 Milpitas, CA. 95035  
 Phone (408) 432-1900  
 Fax (408) 434-0507  
[www.linear.com](http://www.linear.com)

Title		
LTM8025EV, 36V, 3A Step-Down $\mu$ Module <sup>®</sup> Regulator		
Size	Document Number	Rev. B
Date: Monday, February 06, 2012		Sheet 1 of 1
Demo Circuit 1379B		