

REPERE INDEXE	REF. ADRET PART NUMBER	DESCRIPTION	PART DESCRIPTION	FOURNISSEUR/PLAN SUPPLIER/DRAWING	QTE QTY
C	-001	3700180000 22MMF/16V 5,08 ... STAND L TAG	* 22MMF/16V 5,08 ... STAND L TAG	STC	1
C	-002	3700180000 22MMF/16V 5,08 ... STAND L TAG	* 22MMF/16V 5,08 ... STAND L TAG	STC	1
C	-003	3700180000 22MMF/16V 5,08 ... STAND L TAG	* 22MMF/16V 5,08 ... STAND L TAG	STC	1
D	-001	4500310000 1 N 4448	* 1 N 4448	ITT	1
D	-002	4500310000 1 N 4448	* 1 N 4448	ITT	1
D	-003	4500310000 1 N 4448	* 1 N 4448	ITT	1
D	-004	4600080000 ZPD6,8	* ZPD6,8	ITT	1
D	-005	4500310000 1 N 4448	* 1 N 4448	ITT	1
D	-006	4500310000 1 N 4448	* 1 N 4448	ITT	1
D	-007	4600170000 ZPD 10	* ZPD 10	ITT	1
D	-008	4600170000 ZPD 10	* ZPD 10	ITT	1
K	-001	1520312200 03 TOUCHES ORE 10 .MODE. 2230A	* 03 TOUCHES ORE 10 .MODE. 2230A	C932471	1
P	-001	2133100000 10K 3/4" 15T CERMET 43 P	* 10K 3/4" 15T CERMET 43 P	SPECTROL	1
P	-002	2132470000 4K7 3/4" 15T CERMET 43 P	* 4K7 3/4" 15T CERMET 43 P	SPECTROL	1
Q	-001	4300580000 BC 337-25 TO 92 (2N2222)	* BC 337-25 TO 92 (2N2222)	ITT	1
Q	-002	4300190000 BC550C /414C/413C/549C(BC184C)	* BC550C /414C/413C/549C(BC184C)	RTC	1
Q	-003	4300190000 BC550C /414C/413C/549C(BC184C)	* BC550C /414C/413C/549C(BC184C)	RTC	1
Q	-004	4300190000 BC550C /414C/413C/549C(BC184C)	* BC550C /414C/413C/549C(BC184C)	RTC	1
Q	-005	4300190000 BC550C /414C/413C/549C(BC184C)	* BC550C /414C/413C/549C(BC184C)	RTC	1
R	-001	2210006800 68R 5% N4	* 68R 5% N4	SOUCOR	1
R	-002	2210011000 100R 5% N4	* 100R 5% N4	SOUCOR	1
R	-003	2210021200 1K2 5% N4	* 1K2 5% N4	SOUCOR	1
R	-004	2210013900 390R 5% N4	* 390R 5% N4	SOUCOR	1
R	-005	2210032200 22K 5% N4	* 22K 5% N4	SOUCOR	1
R	-006	2210003300 33R 5% N4	* 33R 5% N4	SOUCOR	1
R	-007	2500210000 10K0 * 1% 0,3 W SMA207	* 10K0 * 1% 0,3 W SMA207	DRALORIC	1
R	-008	2500133200 3K32 * 1% 0,3 W SMA207	* 3K32 * 1% 0,3 W SMA207	DRALORIC	1
R	-009	2500178700 7K87 * 1% 0,3 W SMA207	* 7K87 * 1% 0,3 W SMA207	DRALORIC	1
R	-010	2500269800 69K8 * 1% 0,3 W SMA207	* 69K8 * 1% 0,3 W SMA207	DRALORIC	1
R	-011	2500211300 11K3 * 1% 0,3 W SMA207	* 11K3 * 1% 0,3 W SMA207	DRALORIC	1
R	-012	2210018200 820R 5% N4	* 820R 5% N4	SOUCOR	1
R	-013	2500240200 40K2 * 1% 0,3 W SMA207	* 40K2 * 1% 0,3 W SMA207	DRALORIC	1
R	-014	2500224900 24K9 * 1% 0,3 W SMA207	* 24K9 * 1% 0,3 W SMA207	DRALORIC	1
R	-015	2500316200 162K * 1% 0,3 W SMA207	* 162K * 1% 0,3 W SMA207	DRALORIC	1
R	-016	2200052200 2M2 5% CB	* 2M2 5% CB	ALLEN BRADLEY	1
R	-017	2500310000 100K * 1% 0,3 W SMA207	* 100K * 1% 0,3 W SMA207	DRALORIC	1
R	-018	2210032200 22K 5% N4	* 22K 5% N4	SOUCOR	1
R	-019	2210021000 1K0 5% N4	* 1K0 5% N4	SOUCOR	1
R	-020	2210022200 2K2 5% N4	* 2K2 5% N4	SOUCOR	1
R	-021	2210013300 330R 5% N4	* 330R 5% N4	SOUCOR	1
R	-022	2210013300 330R 5% N4	* 330R 5% N4	SOUCOR	1
R	-023	2210034700 47K 5% N4	* 47K 5% N4	SOUCOR	1
R	-024	2210034700 47K 5% N4	* 47K 5% N4	SOUCOR	1
R	-025	2210034700 47K 5% N4	* 47K 5% N4	SOUCOR	1
R	-026	2210031000 10K 5% N4	* 10K 5% N4	SOUCOR	1
R	-027	2210012700 270R 5% N4	* 270R 5% N4	SOUCOR	1
R	-028	2210011800 180R 5% N4	* 180R 5% N4	SOUCOR	1
R	-029	2210011800 180R 5% N4	* 180R 5% N4	SOUCOR	1
SN	-001	4160405300 C-MOS 4053	* C-MOS 4053	RTC	1
SN	-002	4200180000 LM 1458 N B+ DIP 8 PATTES	* LM 1458 N B+ DIP 8 PINS NS		1
Z1		1100520000 FIL.NJ.ETAME.4/10	* TINNED BARE THREAD 4/10	ELECTROFIL	0
Z1		1270030400 CI CIRCUIT MODE 2230A	* PC MODE CIRCUIT 2230A	D997003	1
Z1		1300600000 SOUPLISSO 1X1,2 COUL. NATUREL	* SPAGHETTI 1X1,2 GRAY COLORED	HABIA	0
Z4		4900310000 16 SUPPORT C.I. DIL J23-5016	* 16 CONNECTOR P.C. DIL J23-5016	JERMYN	1
Z6		6400280000 PLOT A FOURCHE SOUDE .BFM013C	* SOLDERED FORK CONTACT BFM013C	COMATEL	3
Z8		8006763200 TOUCHE GRISE D6H11 OREOR 2230A	* GREY TOUCH D6H11 OREOR 2230A	A942431	3

 *027010000 04 BLOC ROUES CODEES ... 2230A * 04 SPIN WHEELS BLOCK ... 2230A D920933..... *

REPERE INDEXE	REF. ADRET PART NUMBER	DESCRIPTION	PART DESCRIPTION	FOURNISSEUR/PLAN SUPPLIER/DRAWING	QTE QTY
	0270010000	02 ROUE CODEE EQUIPEE .. 2230A	* 02 FITTED SPIN WHEEL ... 2230A	*942914.....	9
	1100530000	FIL.NU.ETAME.6/10	* TINNED BARE THREAD 6/10	ELECTROFIL	0
	1270100300	CI ROUE CODEUSE	* PC SPIN WHEEL	E997010	1
	1426020000	26 TRANSITION COUDE 3429-5003	* 26 BENDED LINKAGE .. 3429-5003	3M	2
	1540007800	ECROU FENDU M2	* SPLIT THUMB M2	CONTRAVES	8
	1540011600	JOUE BLOC ROUE CODEE 509-1153	* FLANGE BLOCK COD.WHEEL509-1153	CHERRY	4
	1541012000	9PTS SPECIAL TAM.&LEV.20-255 M	* 9PTS SPECIAL TAM.&LEV.20-255 M	CHERRY	1
	4500310000	1 N 4448	* 1 N 4448	ITT	15
	4900150000	16 SUPPORT NATTE 'S'CA-16S-TDS	* 16 MAT CONNECTOR 'S'CA-16S-TDS	EUROPAVIA	1
	6130121200	LAD 2 X12 CYLINDRIQUE FENDUE	* LAD 2 X12 CYLINDRIQUE FENDUE	SAGIC	4
	6200020000	ECROU H M2 U NF E27-411-5 INOX	* NUT H M2 U NF E27-411-5 INOX	BD	4
	6300010000	Z 2,5U(5X0,5) NF E27-611 INOX	* Z 2,5U(5X0,5) NF E27-611 INOX	BD	8
	6301020000	DI 2 EVENTAIL NFE 27-618 INOX	* STEEL 2 FAN NFE 27-618 INOX	BD	8
	6360011000	BAK 2.6X 5X 1 PLATE 100A	* BAK 2.6X 5X 1 PLATE 100A	MFOH	4
	6800220000	TIGE FILETEE M2 LAITON	* THREADED PIN M2 BRASS	WEBER	0
	6900160000	COLLE D'ARRET ROUGE . 9036 BIS	* RED STOP GLUE 9036 BIS	MESPOULET	1

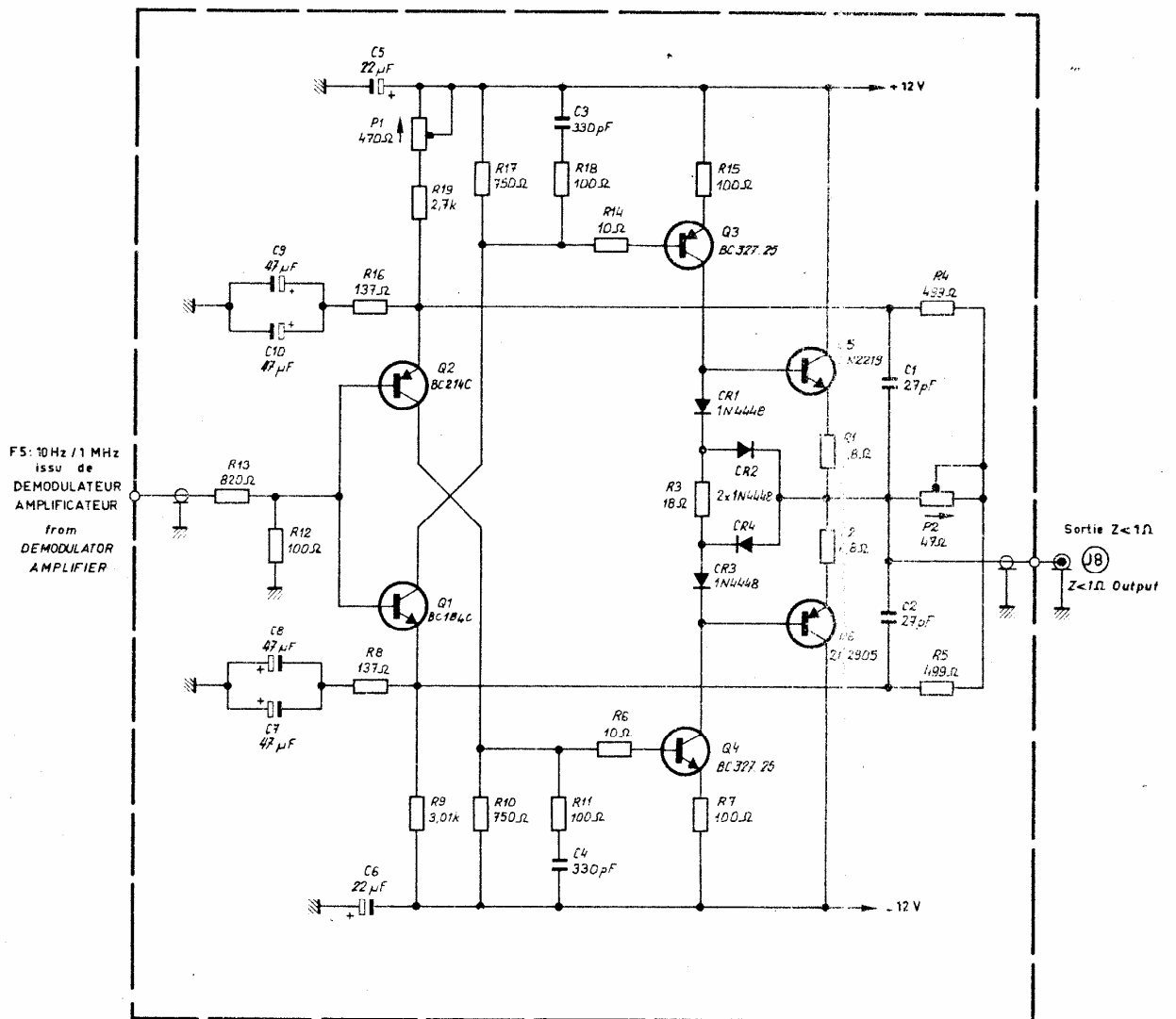


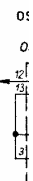
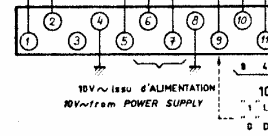
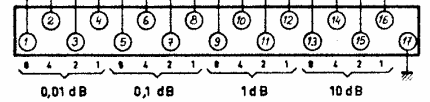
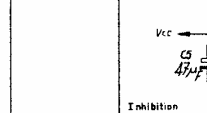
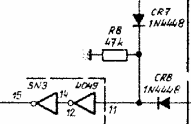
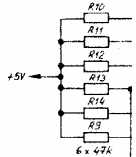
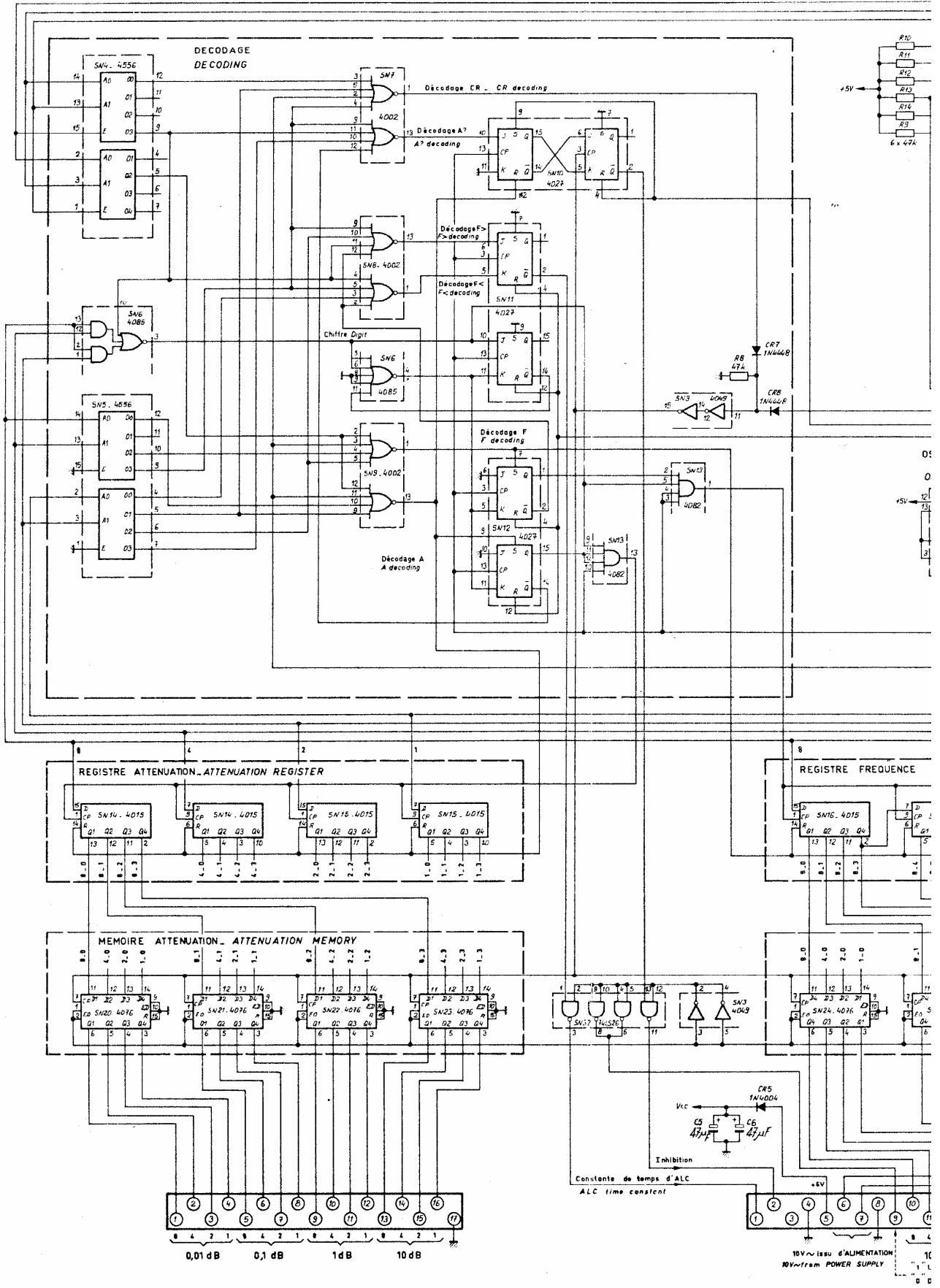
PLATE V-9
PLANCHE V-9

Ce document ne peut être communiqué ni reproduit sans autorisation		act électronique	DATE: JUILLET 1978
ÉTUDE	DESSIN	VERIFIÉ	PAGE: 1 / 1
ACORT	MW	2230 A AMPLIFICATEUR Z<1Ω Z<1Ω AMPLIFIER	977094A

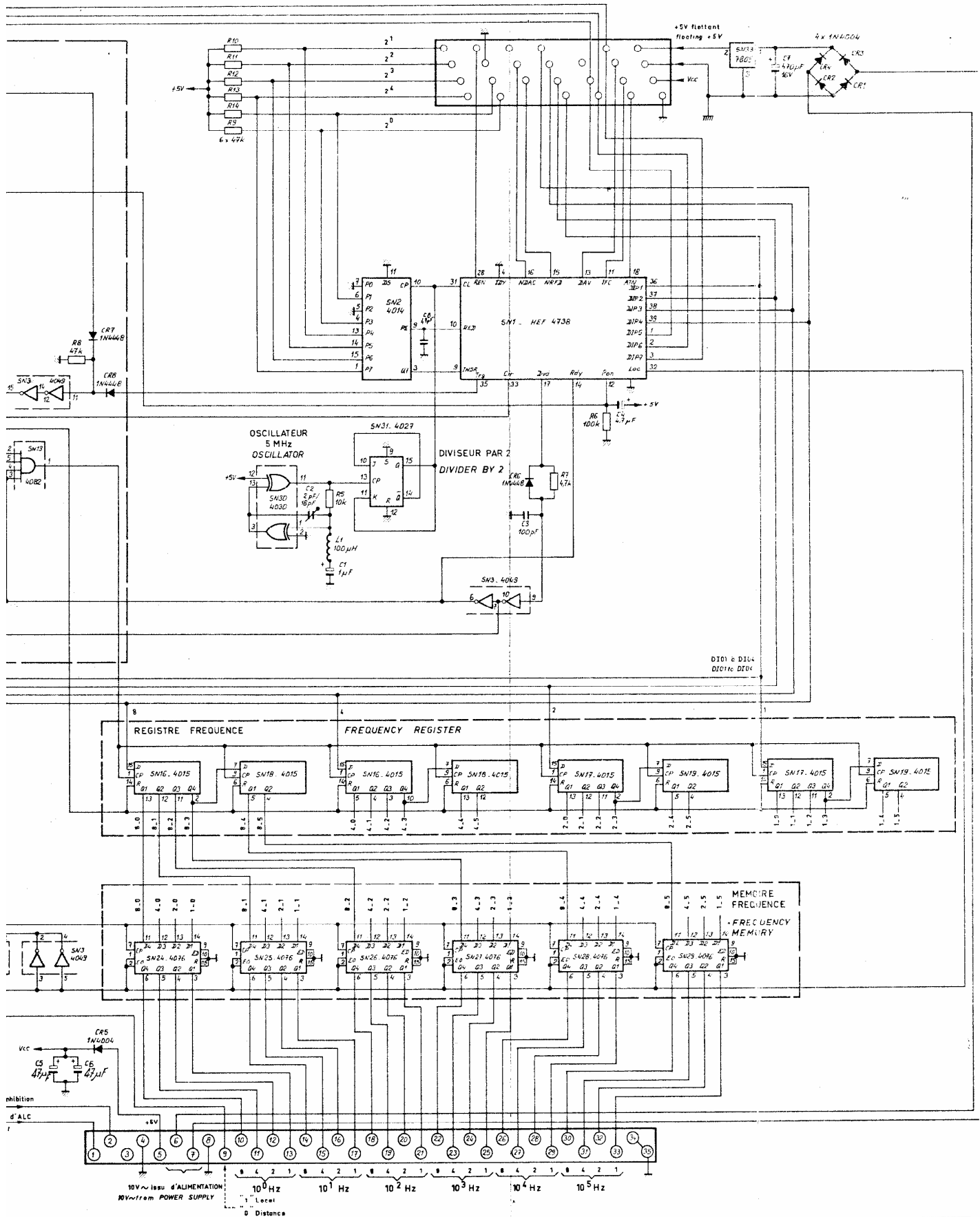
*0270940000 01 AMPLI Z=0 2230A * 01 AMPLI Z=0 2230A E932549.A977094 *

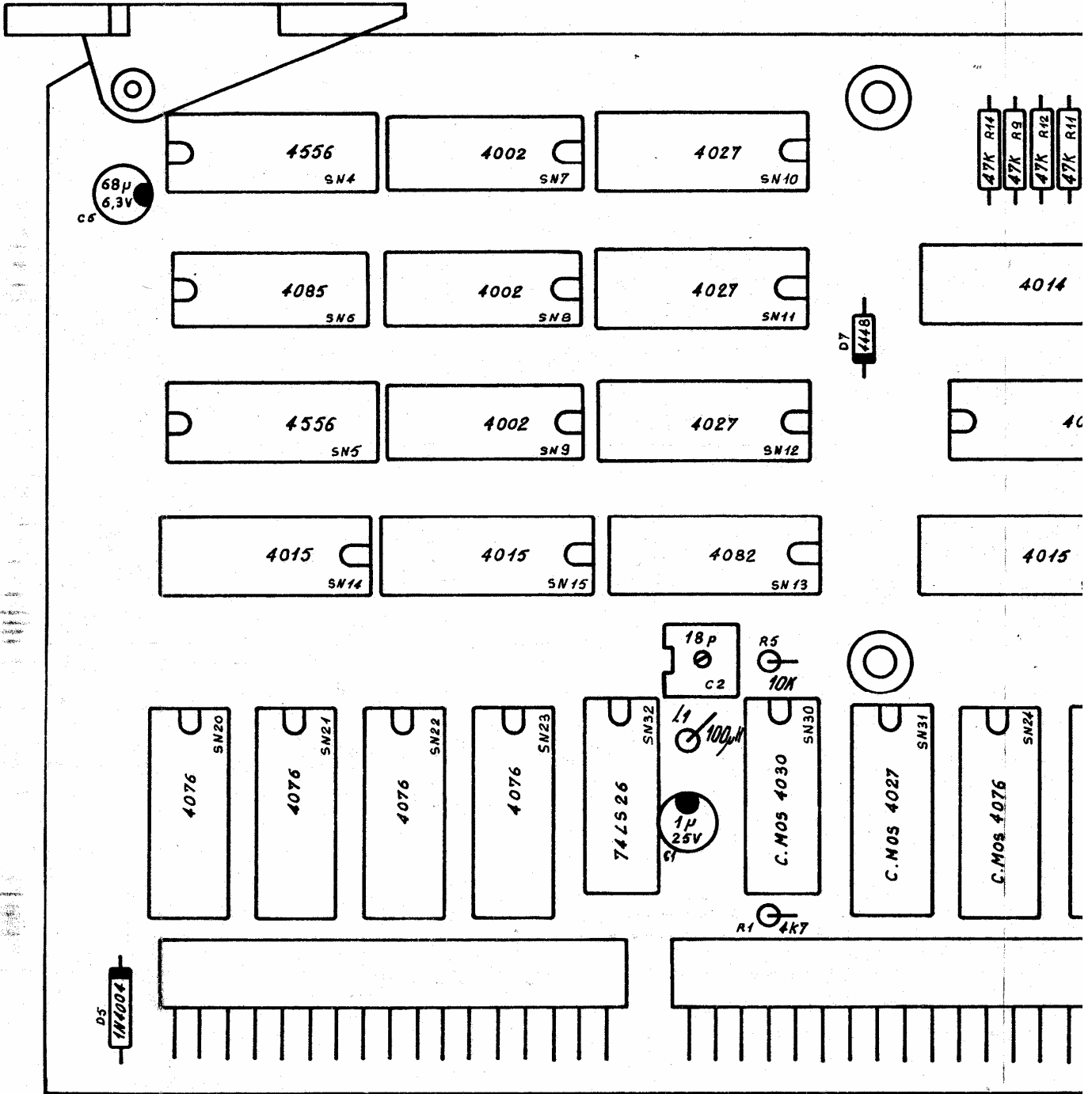
REPERE INDEXE	REF. PART	ADRET NUMBER	DESCRIPTION	PART DESCRIPTION	FOURNISSEUR/PLAN SUPPLIER/DRAWING	QTE QTY
C -001	3120002700	27PF 2,5 'L'	2222 680 10 279	* 27PF 2,5 'L'	2222 680 10 279 COGECO	1
C -002	3120002700	27PF 2,5 'L'	2222 680 10 279	* 27PF 2,5 'L'	2222 680 10 279 COGECO	1
C -003	3120013300	330PF 2,5 'N33'	2222 680 58 331	* 330PF 2,5 'N33'	2222 680 58 331 COGECO	1
C -004	3120013300	330PF 2,5 'N33'	2222 680 58 331	* 330PF 2,5 'N33'	2222 680 58 331 COGECO	1
C -005	3700180000	22MMF/16V 5,08	... STAND L TAG	* 22MMF/16V 5,08	... STAND L TAG STC	1
C -006	3700180000	22MMF/16V 5,08	... STAND L TAG	* 22MMF/16V 5,08	... STAND L TAG STC	1
C -007	3700250000	47MMF/6,3V 5,08	... STAND L TAG	* 47MMF/6,3V 5,08	... STAND L TAG STC	1
C -008	3700250000	47MMF/6,3V 5,08	... STAND L TAG	* 47MMF/6,3V 5,08	... STAND L TAG STC	1
C -009	3700250000	47MMF/6,3V 5,08	... STAND L TAG	* 47MMF/6,3V 5,08	... STAND L TAG STC	1
C -010	3700250000	47MMF/6,3V 5,08	... STAND L TAG	* 47MMF/6,3V 5,08	... STAND L TAG STC	1
D -001	4500310000	1 N 4448	* 1 N 4448 ITT	1
D -002	4500310000	1 N 4448	* 1 N 4448 ITT	1
D -003	4500310000	1 N 4448	* 1 N 4448 ITT	1
D -004	4500310000	1 N 4448	* 1 N 4448 ITT	1
P -001	2131470000	47R 3/4" 15T CERMET	43 P	* 47R 3/4" 15T CERMET	43 P SPECTROL	1
P -002	2130470000	47R 3/4" 15T CERMET	43 P	* 47R 3/4" 15T CERMET	43 P SPECTROL	1
Q -001	4300190000	BC550C /414C/413C/549C	(BC184C)	* BC550C /414C/413C/549C	(BC184C) RTC	1
Q -002	4300110000	BC560C /416C/415C/559C	(BC214C)	* BC560C /416C/415C/559C	(BC214C) RTC	1
Q -003	4300570000	BC 327-25 TO 92 (2N2907)	* BC 327-25 TO 92 (2N2907) ITT	1
Q -004	4300580000	BC 337-25 TO 92 (2N2222)	* BC 337-25 TO 92 (2N2222) ITT	1
Q -005	4800060000	2N2219	* 2N2219 RTC	1
Q -006	4800080000	2N2905	* 2N2905 RTC	1
R -001	2300096800	6R8 SFR 25 1/4W 5% RC2T	* 6R8 SFR 25 1/4W 5% RC2T RTC	1
R -002	2300096800	6R8 SFR 25 1/4W 5% RC2T	* 6R8 SFR 25 1/4W 5% RC2T RTC	1
R -003	2210001800	18R	5% N4	* 18R	5% N4 SOVCOR	1
R -004	2500049900	499R * 1% 0,3 W	SMA207	* 499R * 1% 0,3 W	SMA207 DRALORIC	1
R -005	2500049900	499R * 1% 0,3 W	SMA207	* 499R * 1% 0,3 W	SMA207 DRALORIC	1
R -006	2900001000	10R	5% NK3	* 10R	5% NK3 SOVCOR	1
R -007	2210011000	100R	5% N4	* 100R	5% N4 SOVCOR	1
R -008	2500013700	137R * 1% 0,3 W	SMA207	* 137R * 1% 0,3 W	SMA207 DRALORIC	1
R -009	2500130100	3K01 * 1% 0,3 W	SMA207	* 3K01 * 1% 0,3 W	SMA207 DRALORIC	1
R -010	2500075000	750R * 1% 0,3 W	SMA207	* 750R * 1% 0,3 W	SMA207 DRALORIC	1
R -011	2210011000	100R	5% N4	* 100R	5% N4 SOVCOR	1
R -012	2210011000	100R	5% N4	* 100R	5% N4 SOVCOR	1
R -013	2210018200	820R	5% N4	* 820R	5% N4 SOVCOR	1
R -014	2900001000	10R	5% NK3	* 10R	5% NK3 SOVCOR	1
R -015	2210011000	100R	5% N4	* 100R	5% N4 SOVCOR	1
R -016	2500013700	137R * 1% 0,3 W	SMA207	* 137R * 1% 0,3 W	SMA207 DRALORIC	1
R -017	2500075000	750R * 1% 0,3 W	SMA207	* 750R * 1% 0,3 W	SMA207 DRALORIC	1
R -018	2210011000	100R	5% N4	* 100R	5% N4 SOVCOR	1
R -019	2210022700	2K7	5% N4	* 2K7	5% N4 SOVCOR	1
Z1	1100010000	FIL NOIR KY30-04	* BLACK THREAD KY30-04 FILECA	0
Z1	1100030000	FIL ROUGE KY30-04	* RED THREAD KY30-04 FILECA	0
Z1	1100070000	FIL BLEU KY30-04	* BLUE THREAD KY30-04 FILECA	0
Z1	1100430000	COAX KX 21 A	* COAX KX 21 A FILECA	0
Z1	1270940000	CI AMPLI Z=0 2230A	* PC AMPLI Z=0 2230A C997094	1
Z4	4900010000	DISSIPATEUR T 05	... REF 207-AB	* DISSIPATOR T 05	... REF 207-AB SPETELEC	2
Z4	4900070000	ENTRETOISE T05 T05-001	* SPACER T05 T05-001 JERMYN	2
Z6	6400280000	PLOT A FOURCHE SOUDE BFMQ13C	* SOLDERED FORK CONTACT BFMQ13C COMATEL	2
Z8	8101120000	ECROU A SERTIR M3 H4	NICKELE	* NUT TO SQUEEZE M3 H4	NICKEL 91+71	2

REPERE INDEXE	REF. ADRET PART NUMBER	DESCRIPTION	PART DESCRIPTION	FOURNISSEUR/PLAN SUPPLIER/DRAWING	QTE QTY
	001	0269970000	06 CARTE REGISTRE IEEE . 2230A	* 06 IEEE REGISTER BOARD . 2230A E932563.B976997	1
	001	0274880000	02 CARTE ISOLATION IEEE 2230A	* 02 IEEE INSULATING BOARD 2230A D932961.C977488	1
Z0		0205430000	00 MATTE 26'171'177'L90 2230A	* 00 FLAT-T.26'171 177'L90 2230A ADRET.....	1
Z0		0206700000	00 MATTE 26'171'171'L200 2230	* 00 FLAT-T.26'171 171'L200 2230 ADRET.....	1
Z1		1100530000	FIL.NU.ETAME.6/10	* TINNED BARE THREAD 6/10 ELECTROFIL	0
Z1		1269990000	CARTE INTERCONNEXION 2230A IEC	* INTERCONNECTION BOARD2230A IEC C996999.....SF	1
Z1		1424018400	24PTS CI'IEEE' REF 57-20240-14	* 24PTS PC'IEEE' REF 57-20240-14 AMPHENOL	1
Z1		1530214500	DOUBLE INVERSEUR CI TS 2 BLEU	* DOUBLE REVERSEUR PC TS 2 BLUE JEANRENAULT	3
Z6		6100030600	TCB M3X 6 U DIN7985-4,8 INOX	* TCB M3X 6 U DIN7985-4,8 INOX BD	4
Z6		6100031200	TCB M3X12 U DIN7985-4,8 INOX	* TCB M3X12 U DIN7985-4,8 INOX BD	2
Z6		6200010000	ECROU H M2,5 U NFE27-411-5INOX	* NUT H M2.5 U NFE27-411-5 INOX BD	2
Z6		6200030000	ECROU H M3 U NF E27-411-5 INOX	* NUT H M3 U NF E27-411-5 INOX BD	2
Z6		6303010000	ACI 2,5 ONDUFLEX REF 50025132	* STEEL 2.5 ONDUFLEX REF50025132 NOMEL	2
Z6		6303030000	ACI 3 ONDUFLEX REF 52030132	* STEEL 3 ONDUFLEX REF 52030132 NOMEL	8
Z6		6305030000	ACI 3 CONTACT REF 55-03-01	* STEEL 3 CONTACT REF 55-03-01 NOMEL	2
Z6		6701240000	ENLIS 2 L 4	* ENLIS 2 L 4 ACCEL	2
Z8		6700200000	ENMET 2 L 5 M3X0,50 TT	* ENMET 2 L 5 M3X0,50 TT ACCEL	2
Z8		8006702000	PANNEAU OPTION 'I E C' . 2230A	* 'I E C' OPTION PANEL ... 2230A B942235.A942236	1
Z8		8006733100	FIXATION STANDARD IEC . 2230A	* IEC STANDARD ANCHOR 2230A C942347	2



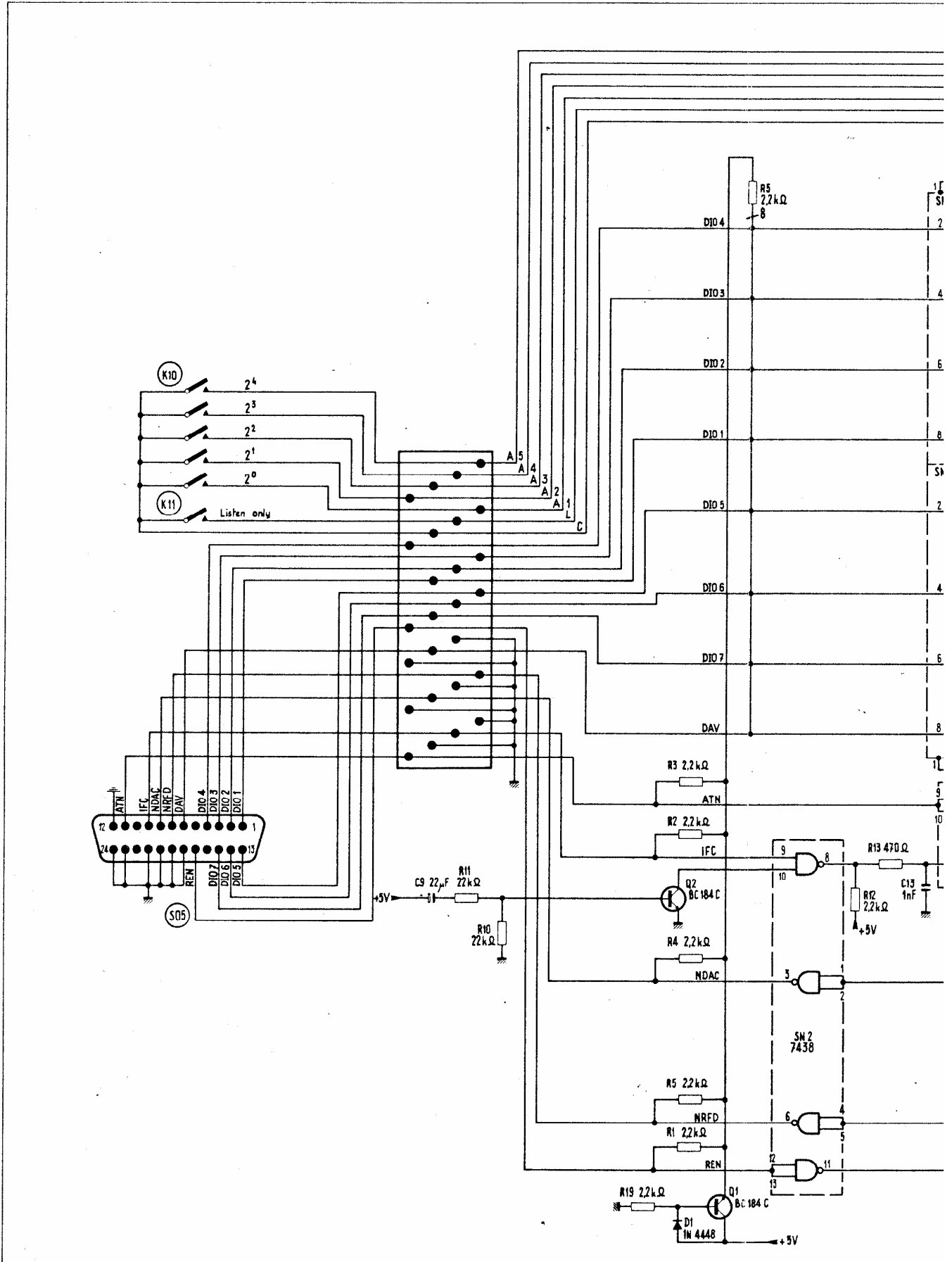
10
11
12
13
14
15
16
17

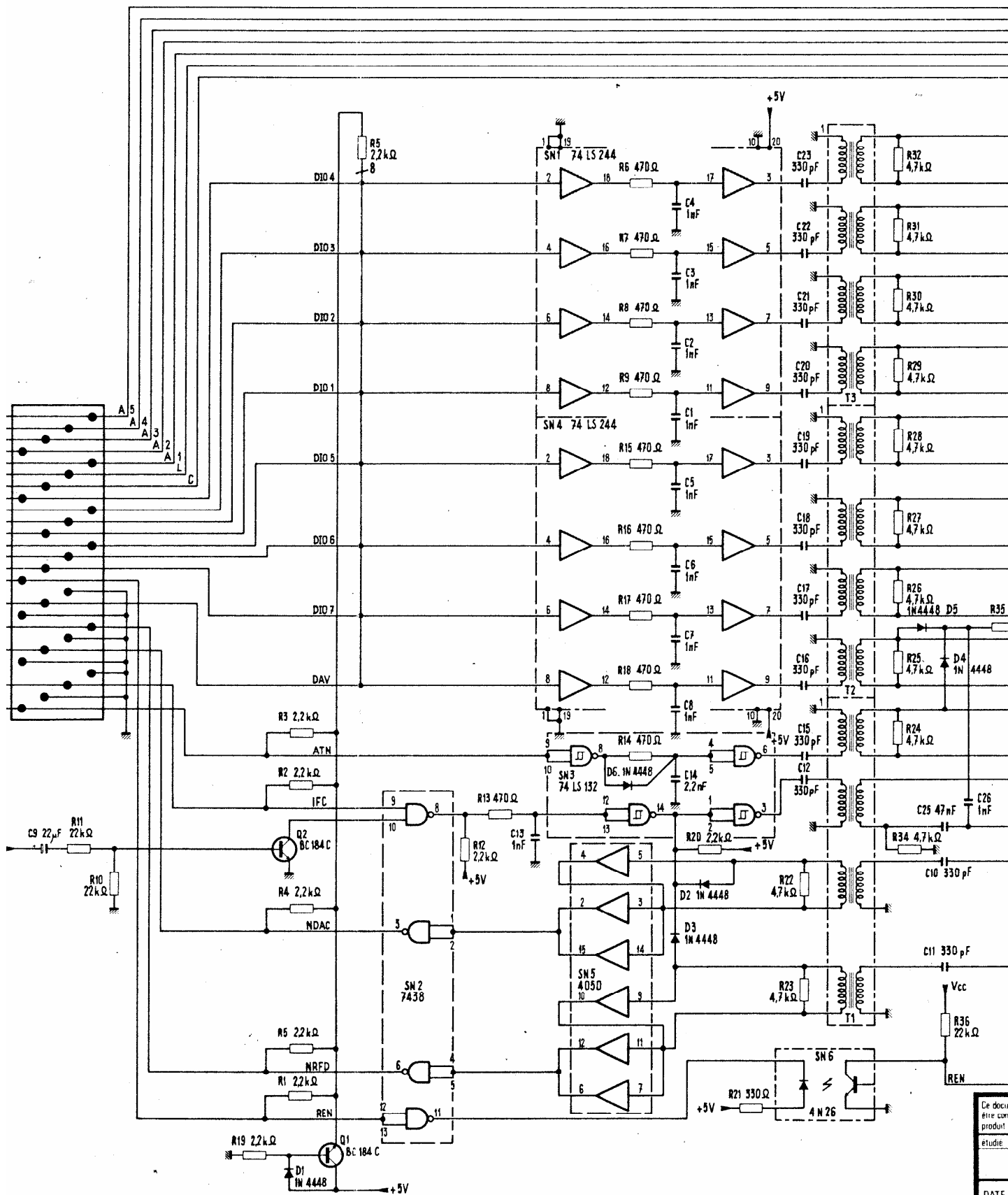




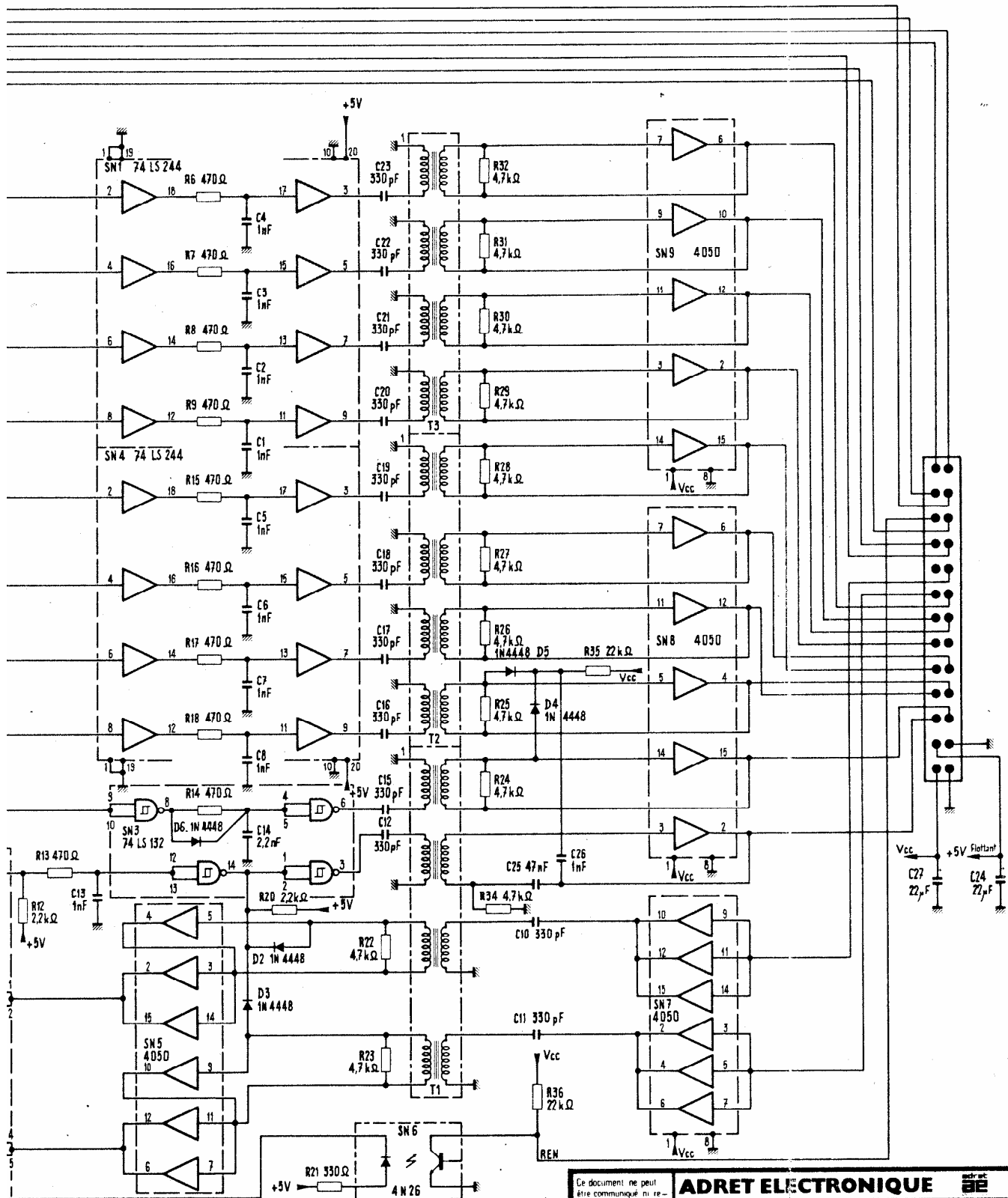
*0269970000 06 CARTE REGISTRE IEEE . 2230A * 06 IEEE REGISTER BOARD . 2230A E932563.8976997 *

REPERE INDEXE	REF. ADRET PART NUMBER	DESCRIPTION	PART DESCRIPTION	FOURNISSEUR/PLAN SUPPLIER/DRAWING	QTE QTY
B -001	1417016300	TM 17 MCIG MALE*CARTE*	TM 17 MCIG MALE	TRELEC	1
B -002	1435004600	TM 35 MCIG MALE*CARTE*	TM 35 MCIG MALE	TRELEC	1
C -001	3700020000	1MMF/35V 5,08 ... STAND L TAG	1MMF/35V 5,08 ... STAND L TAG	STC	1
C -002	3600120000	4/20 PF ... REF C010 808 23209	4/20 PF ... REF C010 808 23209	RTC(C010)	1
C -003	3120011000	100PF 2,5 N10'2222 680 58 101	100PF 2,5 N10'2222 680 58 101	COGECO	1
C -004	3700100000	4,7MMF/35V 5,08 ... STAND L TAG	4,7MMF/35V 5,08 ... STAND L TAG	STC	1
C -005	3700250000	47MMF/6,3V 5,08 ... STAND L TAG	47MMF/6,3V 5,08 ... STAND L TAG	STC	1
C -006	3700250000	47MMF/6,3V 5,08 ... STAND L TAG	47MMF/6,3V 5,08 ... STAND L TAG	STC	1
C -007	3500280000	470MMF 16V PROMISIC 031	470MMF 16V PROMISIC 031	SIC SAFCO	1
C -008	3120004700	47PF 2,5 2222 680 10 479	47PF 2,5 2222 680 10 479	COGECO	1
D -001	4500040000	IN4004	IN4004	ITT	1
D -002	4500040000	IN4004	IN4004	ITT	1
D -003	4500040000	IN4004	IN4004	ITT	1
D -004	4500040000	IN4004	IN4004	ITT	1
D -005	4500040000	IN4004	IN4004	ITT	1
D -006	4500310000	1 N 4448	1 N 4448	ITT	1
D -007	4500310000	1 N 4448	1 N 4448	ITT	1
D -008	4500310000	1 N 4448	1 N 4448	ITT	1
L -001	5300460000	100MMH ORE 53870 DEL 1025-68	100MMH ORE 53870 DEL 1025-68	OREGA DELEVAN	1
R -001	2200024700	4K7 5% N4	4K7 5% N4	SOVCOR	1
R -005	2200031000	10K 5% N4	10K 5% N4	SOVCOR	1
R -006	2210041000	100K 5% N4	100K 5% N4	SOVCOR	1
R -007	2210024700	4K7 5% N4	4K7 5% N4	SOVCOR	1
R -008	2210034700	47K 5% N4	47K 5% N4	SOVCOR	1
R -009	2210034700	47K 5% N4	47K 5% N4	SOVCOR	1
R -010	2210034700	47K 5% N4	47K 5% N4	SOVCOR	1
R -011	2210034700	47K 5% N4	47K 5% N4	SOVCOR	1
R -012	2210034700	47K 5% N4	47K 5% N4	SOVCOR	1
R -013	2210034700	47K 5% N4	47K 5% N4	SOVCOR	1
R -014	2210034700	47K 5% N4	47K 5% N4	SOVCOR	1
SN -001	4160473800	C-MOS 4738	C-MOS 4738	RTC	1
SN -002	4160401400	C-MOS 4014	C-MOS 4014	RTC	1
SN -003	4160404900	C-MOS 4049	C-MOS 4049	RTC	1
SN -004	4160455600	C-MOS 4556	C-MOS 4556	RTC	1
SN -005	4160455600	C-MOS 4556	C-MOS 4556	RTC	1
SN -006	4160408500	C-MOS 4085	C-MOS 4085	RTC	1
SN -007	4160400200	C-MOS 4002	C-MOS 4002	RTC	1
SN -008	4160400200	C-MOS 4002	C-MOS 4002	RTC	1
SN -009	4160400200	C-MOS 4002	C-MOS 4002	RTC	1
SN -010	4160402700	C-MOS 4027	C-MOS 4027	RTC	1
SN -011	4160402700	C-MOS 4027	C-MOS 4027	RTC	1
SN -012	4160402700	C-MOS 4027	C-MOS 4027	RTC	1
SN -013	4160408200	C-MOS 4082	C-MOS 4082	RTC	1
SN -014	4160401500	C-MOS 4015	C-MOS 4015	RTC	1
SN -015	4160401500	C-MOS 4015	C-MOS 4015	RTC	1
SN -016	4160401500	C-MOS 4015	C-MOS 4015	RTC	1
SN -017	4160401500	C-MOS 4015	C-MOS 4015	RTC	1
SN -018	4160401500	C-MOS 4015	C-MOS 4015	RTC	1
SN -019	4160401500	C-MOS 4015	C-MOS 4015	RTC	1
SN -020	4160407600	C-MOS 4076	C-MOS 4076	RTC	1
SN -021	4160407600	C-MOS 4076	C-MOS 4076	RTC	1
SN -022	4160407600	C-MOS 4076	C-MOS 4076	RTC	1
SN -023	4160407600	C-MOS 4076	C-MOS 4076	RTC	1
SN -024	4160407600	C-MOS 4076	C-MOS 4076	RTC	1
SN -025	4160407600	C-MOS 4076	C-MOS 4076	RTC	1
SN -026	4160407600	C-MOS 4076	C-MOS 4076	RTC	1
SN -027	4160407600	C-MOS 4076	C-MOS 4076	RTC	1
SN -028	4160407600	C-MOS 4076	C-MOS 4076	RTC	1
SN -029	4160407600	C-MOS 4076	C-MOS 4076	RTC	1
SN -030	4160407000	C-MOS 4070	C-MOS 4070	RTC	1
SN -031	4160402700	C-MOS 4027	C-MOS 4027	RTC	1
SN -032	4150742600	SN 74 LS 26 N 3	SN 74 LS 26 N 3	TEXAS	1
SN -033	4200260000	7805 UC 1A REGULATEUR	7805 UC 1A REGULATOR	FAIRCHILD	1
Z0	0206460000	00 ETIQUETTE 6997 . IEC 2230A	00 LABEL 6997 IEC 2230A	*942375.....	1
Z1	1269970200	CI CARTE REGISTRE . IEEE 2230A	PC REGISTER BOARD . IEEE 2230A	F996997	1
Z1	1900200000	EXTRACTEUR DE CARTE 'ELEVATEUR'	BOARD EXTRACTOR 'LIFTER'	TRELEC	2
Z4	4900340000	40 SUPPORT C.I. DIL J23.5040	40 CONNECTOR P.C. DIL J23.5040	JERMYN	1
Z6	6100030600	TCB M3X 6 U DIN7985-4,8 INOX	TCB M3X 6 U DIN7985-4,8 INOX	BD	1
Z6	6200030000	ECROU H M3 U NF E27-411-5 INOX	NUT H M3 U NF E27-411-5 INOX	BD	1
Z6	6300030000	Z 3U (6X0,8) NF E27-611 INOX	Z 3U (6X0,8) NF E27-611 INOX	BD	1
Z6	6400530000	OUILLET LAITON N° 2070	FIXING EYELET BRASS .. N° 2070	MFORM	2
Z8	8100120000	00 COLONNETTE A SERTIR 4500	00 PILLAR TO SQUEEZE 4500	ADRET	4

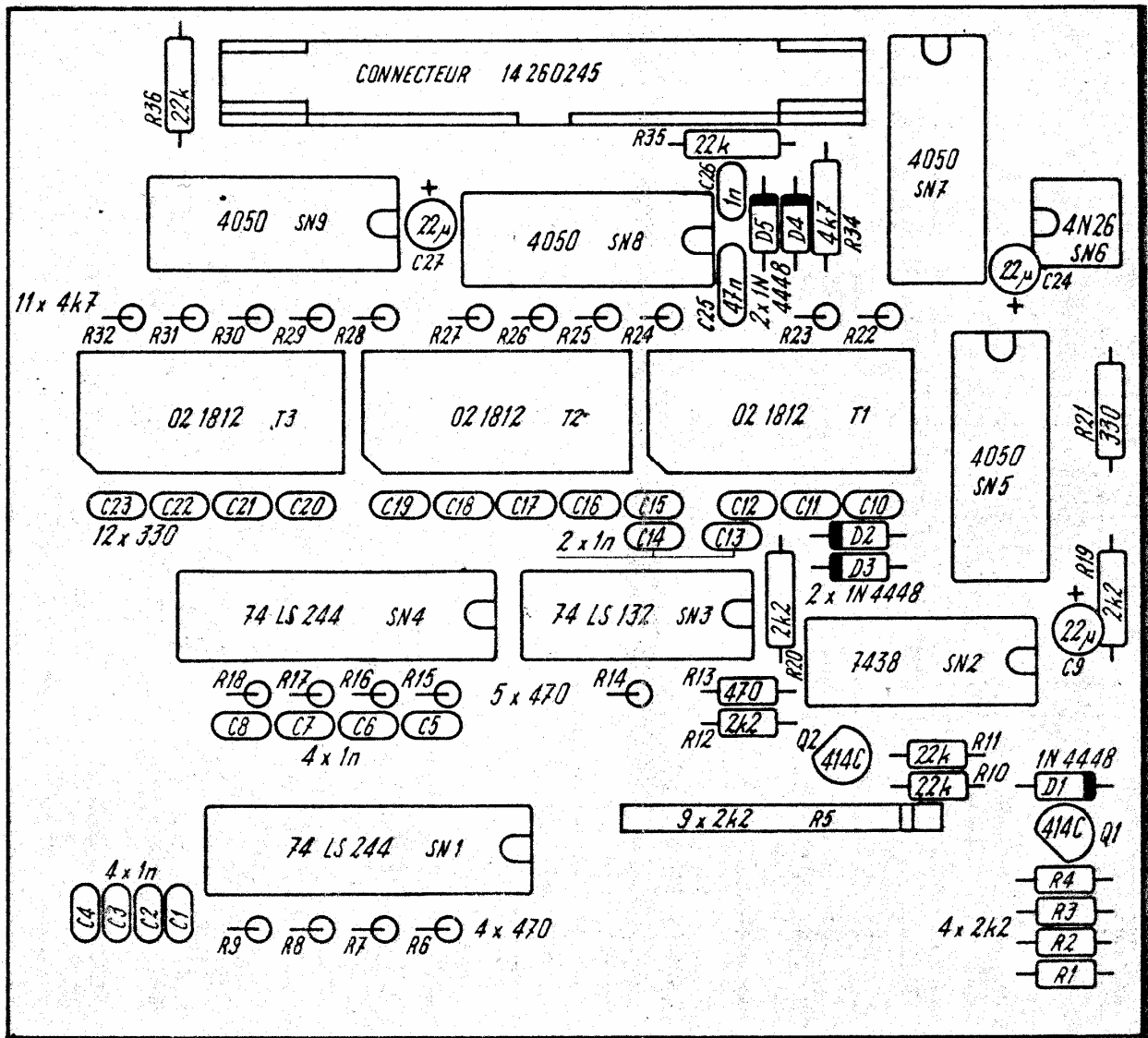




Ce document
 être com
 produit
 étudié
 DATE



Ce document ne peut être communiqué ni reproduit sans autorisation			ADRET ELECTRONIQUE	
étudié	dessiné	vérifié	TYPE Model 2230A	
5				
DATE 09/07/81			ISOLATEUR BUS IEEE	
			ISOLATOR IEEE BUS	
			PLANCHE V.10	
			Plate V.10	
			C.977488	



REPERE INDEXE	REF. ADRET PART NUMBER	DESCRIPTION	PART DESCRIPTION	FOURNISSEUR/PLAN SUPPLIER/DRAWING	QTE QTY
B -001	1426024500	26 TRANSITION DROIT 3429-6002	* 26 STRAIGHT LINKAGE 3429-6002	3M	1
C -001	3120021000	1 NF 2,5 2222 630 51 102	* 1 NF 2,5 2222 630 51 102	COGECO	1
C -002	3120021000	1 NF 2,5 2222 630 51 102	* 1 NF 2,5 2222 630 51 102	COGECO	1
C -003	3120021000	1 NF 2,5 2222 630 51 102	* 1 NF 2,5 2222 630 51 102	COGECO	1
C -004	3120021000	1 NF 2,5 2222 630 51 102	* 1 NF 2,5 2222 630 51 102	COGECO	1
C -005	3120021000	1 NF 2,5 2222 630 51 102	* 1 NF 2,5 2222 630 51 102	COGECO	1
C -006	3120021000	1 NF 2,5 2222 630 51 102	* 1 NF 2,5 2222 630 51 102	COGECO	1
C -007	3120021000	1 NF 2,5 2222 630 51 102	* 1 NF 2,5 2222 630 51 102	COGECO	1
C -008	3120021000	1 NF 2,5 2222 630 51 102	* 1 NF 2,5 2222 630 51 102	COGECO	1
C -009	3700180000	22MMF/16V 5,08 ... STAND L TAG	* 22MMF/16V 5,08 ... STAND L TAG	STC	1
C -010	3120013300	330PF 2,5 'N33' 2222 680 58 331	* 330PF 2,5 'N33' 2222 680 58 331	COGECO	1
C -011	3120013300	330PF 2,5 'N33' 2222 680 58 331	* 330PF 2,5 'N33' 2222 680 58 331	COGECO	1
C -012	3120013300	330PF 2,5 'N33' 2222 680 58 331	* 330PF 2,5 'N33' 2222 680 58 331	COGECO	1
C -013	3120021000	1 NF 2,5 2222 630 51 102	* 1 NF 2,5 2222 630 51 102	COGECO	1
C -014	3232220200	2200PF 5,08 10% IRD607	* 2200PF 5,08 10% IRD607	LCC	1
C -015	3120013300	330PF 2,5 'N33' 2222 680 58 331	* 330PF 2,5 'N33' 2222 680 58 331	COGECO	1
C -016	3120013300	330PF 2,5 'N33' 2222 680 58 331	* 330PF 2,5 'N33' 2222 680 58 331	COGECO	1
C -017	3120013300	330PF 2,5 'N33' 2222 680 58 331	* 330PF 2,5 'N33' 2222 680 58 331	COGECO	1
C -018	3120013300	330PF 2,5 'N33' 2222 680 58 331	* 330PF 2,5 'N33' 2222 680 58 331	COGECO	1
C -019	3120013300	330PF 2,5 'N33' 2222 680 58 331	* 330PF 2,5 'N33' 2222 680 58 331	COGECO	1
C -020	3120013300	330PF 2,5 'N33' 2222 680 58 331	* 330PF 2,5 'N33' 2222 680 58 331	COGECO	1
C -021	3120013300	330PF 2,5 'N33' 2222 680 58 331	* 330PF 2,5 'N33' 2222 680 58 331	COGECO	1
C -022	3120013300	330PF 2,5 'N33' 2222 680 58 331	* 330PF 2,5 'N33' 2222 680 58 331	COGECO	1
C -023	3120013300	330PF 2,5 'N33' 2222 680 58 331	* 330PF 2,5 'N33' 2222 680 58 331	COGECO	1
C -024	3700180000	22MMF/16V 5,08 ... STAND L TAG	* 22MMF/16V 5,08 ... STAND L TAG	STC	1
C -025	3233470300	47NF 5,08 10% IRD607	* 47NF 5,08 10% IRD607	LCC	1
C -026	3120021000	1 NF 2,5 2222 630 51 102	* 1 NF 2,5 2222 630 51 102	COGECO	1
C -027	3700180000	22MMF/16V 5,08 ... STAND L TAG	* 22MMF/16V 5,08 ... STAND L TAG	STC	1
D -001	4500310000	1 N 4448	* 1 N 4448	ITT	1
D -002	4500310000	1 N 4448	* 1 N 4448	ITT	1
D -003	4500310000	1 N 4448	* 1 N 4448	ITT	1
D -004	4500310000	1 N 4448	* 1 N 4448	ITT	1
D -005	4500310000	1 N 4448	* 1 N 4448	ITT	1
D -006	4500310000	1 N 4448	* 1 N 4448	ITT	1
Q -001	4300190000	BC550C /414C/413C/549C(BC184C)	* BC550C /414C/413C/549C(BC184C)	RTC	1
Q -002	4300190000	BC550C /414C/413C/549C(BC184C)	* BC550C /414C/413C/549C(BC184C)	RTC	1
R -001	2900022200	2K2 5% NK3	* 2K2 5% NK3	SOUCOR	1
R -002	2900022200	2K2 5% NK3	* 2K2 5% NK3	SOUCOR	1
R -003	2900022200	2K2 5% NK3	* 2K2 5% NK3	SOUCOR	1
R -004	2900022200	2K2 5% NK3	* 2K2 5% NK3	SOUCOR	1
R -005	2610922200	9X2K2 2% 4310R-101-222	* 9X2K2 2% 4310R-101-222	BOURNS	1
R -006	2200014700	470R 5% N4	* 470R 5% N4	SOUCOR	1
R -007	2200014700	470R 5% N4	* 470R 5% N4	SOUCOR	1
R -008	2200014700	470R 5% N4	* 470R 5% N4	SOUCOR	1
R -009	2200014700	470R 5% N4	* 470R 5% N4	SOUCOR	1
R -010	2900032200	22K 5% NK3	* 22K 5% NK3	SOUCOR	1
R -011	2900032200	22K 5% NK3	* 22K 5% NK3	SOUCOR	1
R -012	2900022200	2K2 5% NK3	* 2K2 5% NK3	SOUCOR	1
R -013	2900014700	470R 5% NK3	* 470R 5% NK3	SOUCOR	1
R -014	2200014700	470R 5% N4	* 470R 5% N4	SOUCOR	1
R -015	2200014700	470R 5% N4	* 470R 5% N4	SOUCOR	1
R -016	2200014700	470R 5% N4	* 470R 5% N4	SOUCOR	1
R -017	2200014700	470R 5% N4	* 470R 5% N4	SOUCOR	1
R -018	2200014700	470R 5% N4	* 470R 5% N4	SOUCOR	1
R -019	2210022200	2K2 5% N4	* 2K2 5% N4	SOUCOR	1
R -020	2210022200	2K2 5% N4	* 2K2 5% N4	SOUCOR	1
R -021	2210013300	330R 5% N4	* 330R 5% N4	SOUCOR	1
R -022	2200024700	4K7 5% N4	* 4K7 5% N4	SOUCOR	1
R -023	2200024700	4K7 5% N4	* 4K7 5% N4	SOUCOR	1
R -024	2200024700	4K7 5% N4	* 4K7 5% N4	SOUCOR	1
R -025	2200024700	4K7 5% N4	* 4K7 5% N4	SOUCOR	1
R -026	2200024700	4K7 5% N4	* 4K7 5% N4	SOUCOR	1
R -027	2200024700	4K7 5% N4	* 4K7 5% N4	SOUCOR	1
R -028	2200024700	4K7 5% N4	* 4K7 5% N4	SOUCOR	1
R -029	2200024700	4K7 5% N4	* 4K7 5% N4	SOUCOR	1
R -030	2200024700	4K7 5% N4	* 4K7 5% N4	SOUCOR	1
R -031	2200024700	4K7 5% N4	* 4K7 5% N4	SOUCOR	1
R -032	2200024700	4K7 5% N4	* 4K7 5% N4	SOUCOR	1
R -034	2210024700	4K7 5% N4	* 4K7 5% N4	SOUCOR	1
R -035	2210032200	22K 5% N4	* 22K 5% N4	SOUCOR	1
R -036	2210032200	22K 5% N4	* 22K 5% N4	SOUCOR	1
SN -001	4157424400	SN 74 LS 244 N 3	* SN 74 LS 244 N 3	TEXAS	1
SN -002	4110743800	SN 7438 N	* SN 7438 N	TEXAS	1
SN -003	4157413200	SN 74 LS 132 N 3	* SN 74 LS 132 N 3	TEXAS	1
SN -004	4157424400	SN 74 LS 244 N 3	* SN 74 LS 244 N 3	TEXAS	1
SN -005	4160405000	C-MOS 4050	* C-MOS 4050	RTC	1
SN -006	4000200000	COUPLEUR OPTO 4N26	* OPTO COUPLER 4N26	MOTOROLA	1
SN -007	4160405000	C-MOS 4050	* C-MOS 4050	RTC	1
SN -008	4160405000	C-MOS 4050	* C-MOS 4050	RTC	1

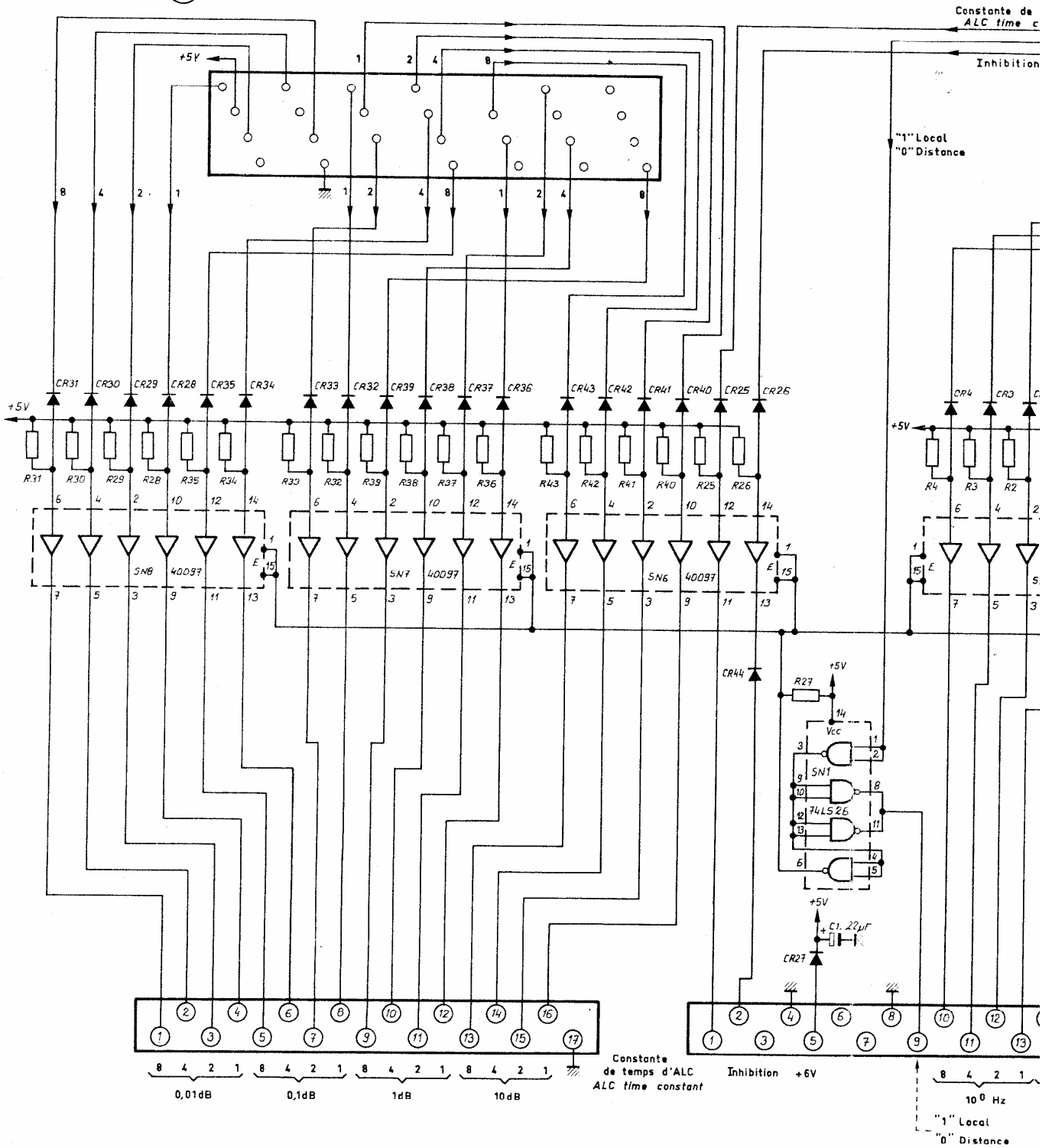
 *0274880000 02 CARTE ISOLATION IEEE 2230A * 02 IEEE INSULATING BOARD 2230A D932961.C977488 *

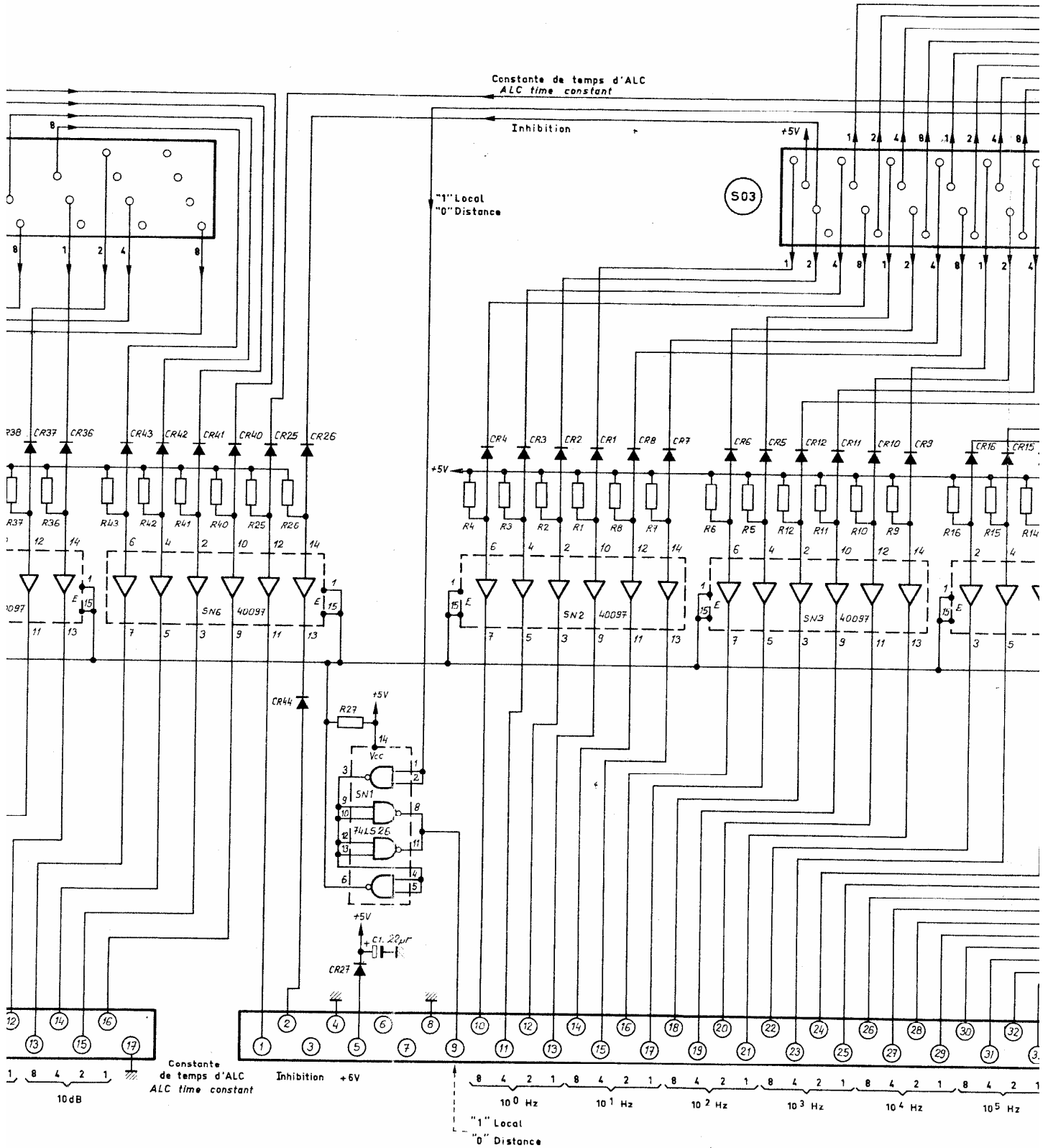
REPERE INDEXE	REF. ADRET PART NUMBER	DESCRIPTION	PART DESCRIPTION	FOURNISSEUR/PLAN SUPPLIER/DRAWING	QTE QTY
SN -009	4160405000	C-MOS 4050	* C-MOS 4050	RTC	1
T -001	0218120000	01 TRANSFO ISOLATION ... 2230A	* 01 INSULATING TRANSFO .. 2230A	ADRET.....	1
T -002	0218120000	01 TRANSFO ISOLATION ... 2230A	* 01 INSULATING TRANSFO .. 2230A	ADRET.....	1
T -003	0218120000	01 TRANSFO ISOLATION ... 2230A	* 01 INSULATING TRANSFO .. 2230A	ADRET.....	1
Z1	1274880000	CI CARTE ISOLATION 2230A	* INSULATION BOARD PC 2230A	A997488	1

 *0422308302 03 OPTION 1 BCD 2230A * 03 OPTION 1 BCD 2230A A932555(2)..... *

REPERE INDEXE	REF. ADRET PART NUMBER	DESCRIPTION	PART DESCRIPTION	FOURNISSEUR/PLAN SUPPLIER/DRAWING	QTE QTY
	001	0269130000 01CARTE OPTION BCD 2230A	* 01 BCD OPTION BOARD 2230A	932547. 976913	1
Z0	0206730000	00 NATTE 25'171'179'L210 2230	* 00 FLAT-T.25'171 179'L210 2230	ADRET.....	1
Z0	0206740000	00 NATTE 37'180'181'L150 2230	* 00 FLAT-T.37'180 181'L150 2230	ADRET.....	1
Z1	1900120000	VERROUILLAGE FEMELLE . 8630-01	* FEMALE LOCKING 8630-01	SOURIAU	4
Z6	6100030800	TCB M3X 8 U DIN7985-4,8 INOX	* TCB M3X 8 U DIN7985-4,8 INOX	BD	4
Z8	8000090000	ETIQUETTE SIGNALETIQUE . ADRET	* LABEL ADRET	A940006	1
Z8	8006701200	PANNEAU OPTION 'B C D' . 2230A	* 'B C D' OPTION PANEL ... 2230A	B942187.A942185	1

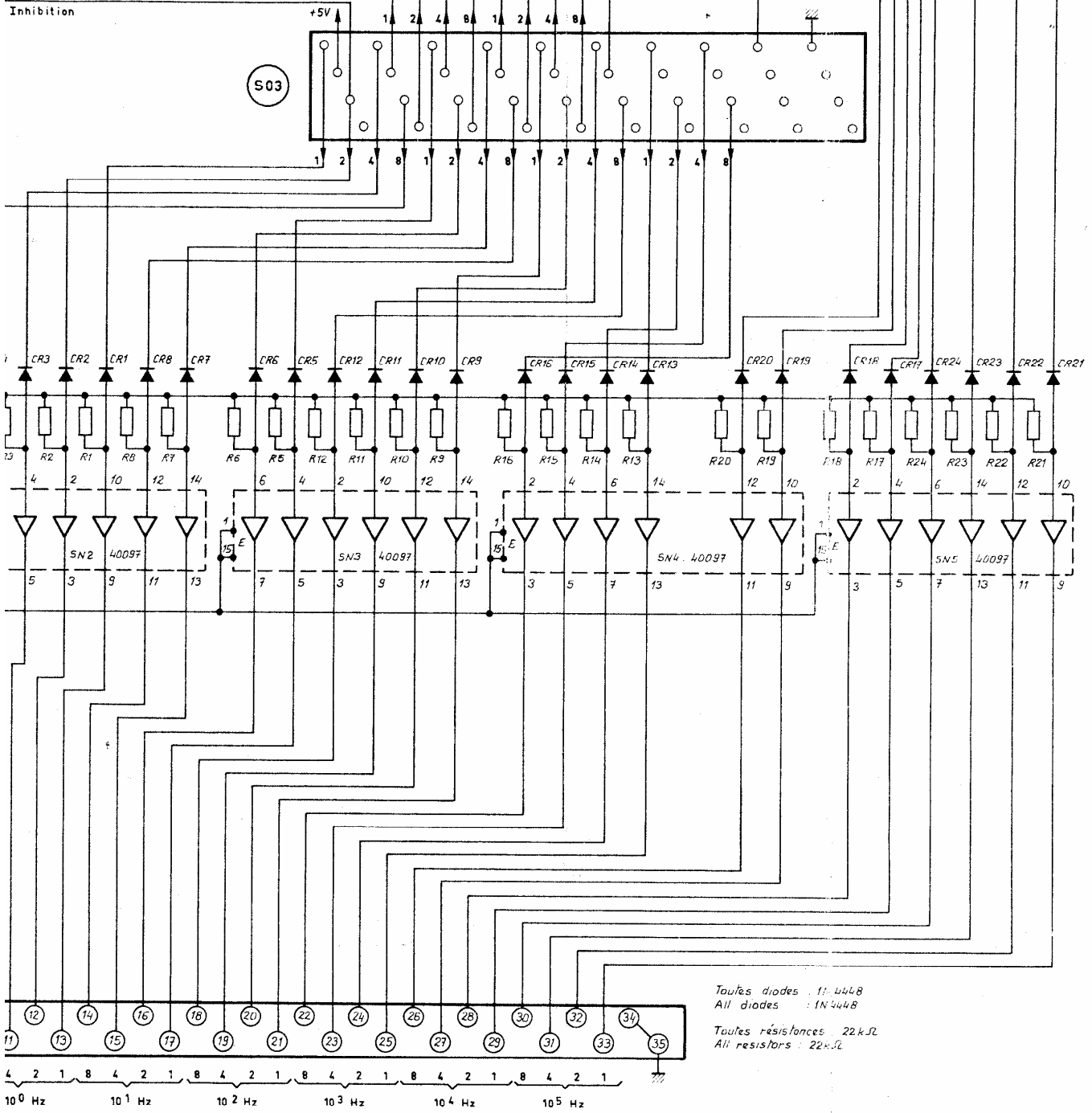
S04





stante de temps d'ALC
LC time constant

Inhibition



Toutes diodes : 1N448
All diodes : 1N448
Toutes résistances : 22kΩ
All resistors : 22kΩ

Ce document ne peut être communiqué ou reproduit sans autorisation		admat électronique	DATE : JUILLET 1978
ÉTUDE	DESSINÉ	VERIFIÉ	2230A
ACORT	HV		PROGRAMMATION BCD PARALLELE PARALLEL BCD PROGRAMMING
			PAGE : 1 / 1
			976913A

