

Anritsu

Site Master™
and
Cable Mate™
Antenna and
Cable Analyzer

*Battery Replacement
and
Disposal Guide*

Introduction

This guide provides a description of the battery contained in the Site Master and Cable Mate series instruments and instructions for its removal, replacement, and disposal.

Battery Description

The Site Master and Cable Mate instruments are powered by a rechargeable nickel-cadmium (NiCd) battery. The concentrations of these heavy metal components as a percentage of cell weight are as follows:

<u>Component</u>	<u>% of Cell Weight *</u>
Nickel	19 to 26%
Cadmium	17 to 22%

* Concentrations vary depending upon the state of charge or discharge.

The chemical components of the battery are packed in a hermetically-sealed cell case. The battery is housed in a cylindrical metal case with a resetting safety valve. This safety device activates to ensure safety in the case of an abnormal increase in gas pressure in the battery.

Optimal operating temperature range for battery use is -20 C to 60 C . The nickel-cadmium battery should not be used or placed in high temperature zones such as under strong direct sunlight, inside a hot vehicle, near a fire, or in front of a stove.

After use, the battery should be recharged as soon as possible. When the nickel-cadmium battery is not to be used for a long time, it should be stored in a cool place.

When spent, the nickel-cadmium battery should be replaced and recycled as described in the following paragraphs. Do *not* throw the battery away!

Battery Removal and Replacement

The following paragraphs provide instructions for removing and replacing the Site Master and Cable Mate battery assembly. Refer to Figure 1 during this procedure.

Battery Removal

- Step 1.** Place the Site Master or Cable Mate face up on the work surface.
- Step 2.** Remove the four corner rubber bumpers (1).
- Step 3.** Remove the four screws (PN 900-811) (2).
- Step 4.** While holding the two halves of the Site Master or Cable Mate together, turn it over and set it face down on the work surface.

CAUTION

In the next step, the Main RF PCB assembly (3) and test port panel (4) must stay with the front panel.

- Step 5.** Remove the bottom half (5) and fold it over to lay upside down on the work surface.
- Step 6.** Disconnect the battery connector from J6 (6) of the Main RF PCB assembly (3).
- Step 7.** Remove the four push-pull connectors (7) holding the battery bracket (8) in place and lift the bracket clear.
- Step 8.** Remove the battery assembly (9).

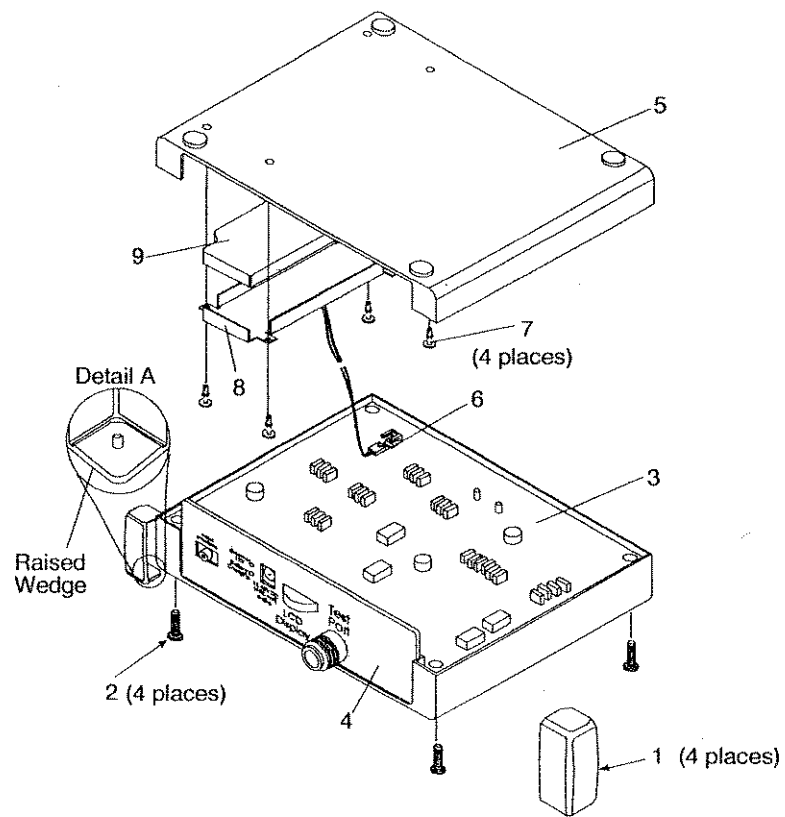


Figure 1. Battery Removal

Battery Replacement

NOTE

When replacing the battery, use all new parts provided in the replacement battery pack kit (PN ND41794).

- Step 1.** Install the new battery assembly (9).
- Step 2.** Install the battery bracket (8) and insert four new push-pull connectors (7) to hold the battery bracket in place.
- Step 3.** Attach the battery connector to J6 (6) on the Main RF PCB assembly (3).
- Step 4.** Set the bottom half in place.
- Step 5.** While holding the two halves together, turn the Site Master or Cable Mate over and lay it face up on the work surface.
- Step 6.** Install the four screws (2).
- Step 7.** Install the rubber bumpers (1) on all four corners of the instrument.

NOTE

Corner bumpers can only mount one way. That is, the raised-wedged area on the bumper inside (Detail A) attaches to the front cover.

Uncontrolled Disposal Dangers

There are dangers in uncontrolled disposal of spent nickel-cadmium batteries. A few of the reasons are listed here.

- Nickel-cadmium batteries when exposed to open flames or overheated beyond their normal operating temperature range may explode.
- Applying a strong shock to a nickel-cadmium battery or throwing it against anything can cause it to break up and leak fluid.
- Attempting to disassemble a nickel-cadmium battery can cause it to leak fluid, generate heat, or break up.
- Allowing a nickel-cadmium battery to become wet by exposing it to water or salt water can cause it to generate heat.
- Cadmium is classified by the US Environmental Protection Agency as a "B1" probable human carcinogen.

Battery Disposal

Spent nickel-cadmium batteries are valuable resources. Because they are reusable, do *not* throw them away. Arrange for proper return for recycling in your locality. If you do not have access to proper disposal methods, return the battery to your ANRITSU service center. Service centers will dispose of the unit at no charge. ANRITSU service centers are listed in Table 1 on the following pages.

Table 1. ANRITSU Service Centers (1 of 2)

UNITED STATES

ANRITSU COMPANY

685 Jarvis Drive

Morgan Hill, CA 95037-2809

Telephone: (408) 776-8300

FAX: 408-776-1744

ANRITSU COMPANY

10 Kingsbridge Road

Fairfield, NJ 07004

Telephone: (201) 227-8999

FAX: 201-575-0092

AUSTRALIA

ANRITSU PTY. LTD.

Unit 3, 170 Foster Road

Mt Waverley, VIC 3149

Australia

Telephone: 03-9558-8177

Fax: 03-9558-8255

BRAZIL

ANRITSU ELECTRONICA LTDA.

Praia de Botafogo 440, Sala 2401

CEP 22250-040, Rio de Janeiro, RJ, Brasil

Telephone: 021-28-69-141

Fax: 021-53-71-456

CANADA

ANRITSU INSTRUMENTS LTD.

215 Stafford Road, Unit 102

Nepean, Ontario K2H 9C1

Telephone: (613) 828-4090

FAX: (613) 828-5400

CHINA

ANRITSU BEIJING SERVICE CENTER

Beijing Fortune Building

416W, 5 Dong San Huan Bei Lu

Chaoyang qu

Beijing 100004, China

Telephone: 010-501-7559

FAX: 010-501-7558

FRANCE

ANRITSU S.A.

9 Avenue du Quebec

Zone de Courtaboeuf

91951 Les Ulis Cedex

Telephone: 016-44-66-546

FAX: 016-44-61-065

GERMANY

ANRITSU GmbH

Grafenberger Allee 54-56

D-40237 Dusseldorf, Germany

Telephone: 0211-67 97 60

FAX: 0211-68 33 53

INDIA

MEERA AGENCIES (P) LTD

A-23 Hauz Khas

New Delhi 110 016

Telephone: 011-685-3959

FAX: 011-686-6720

ISRAEL

TECH-CENT, LTD

Haarad St. No. 7, Ramat Haahayal

Tel-Aviv 69701

Telephone: (03) 64-78-563

FAX: (03) 64-78-334

Table 1. ANRITSU Service Centers (2 of 2)

ITALY

ANRITSU Sp.A
Rome Office
Via E. Vittorini, 129
00144 Roma EUR
Telephone: (06) 50-22-666
FAX: (06) 50-22-4252

JAPAN

ANRITSU CORPORATION
1800 Onna Atsugi-shi
Kanagawa-Prf. 243 Japan
Telephone: 0462-23-1111
FAX: 0462-25-8379

KOREA

ANRITSU KOREA (AWK)
#901 Daeo Bldg. 26-5
Yeoido Dong, Youngdeungpo
Seoul Korea 150 010
Telephone: 02-782-7156
FAX: 02-782-4590

SINGAPORE

ANRITSU (SINGAPORE) PTE LTD
3 Shenton Way #24-03
Shenton House
Singapore 0106
Telephone: 2265206
FAX: -2265207

SOUTH AFRICA

ETESCSA
1st Floor MOntrorse Place
Waterfall Park
Becker Road
MIDRAND
SOUTH AFRICA
Telephone: 011-315-1366
Fax: 011-315-2175

SWEDEN

ANRITSU AB
Box 247
S-127 25 Skarholmen
Telephone: (08) 74-05-840
FAX: (08)71-09-960

TAIWAN

ANRITSU CO., LTD.
8F, No. 96, Section 3
Chien Kuo N. Road
Taipei, Taiwan, R.O.C.
Telephone: (02) 515-6050
FAX: (02) 509-5519

UNITED KINGDOM

ANRITSU LTD.
200 Capability Green
Luton, Bedfordshire
LU1 3LU, England
Telephone: 015-82-41-88-53
FAX: 015-82-31-303

NOTES