

DATRON  
4708

CALIBRATION &  
SERVICING  
HANDBOOK

VOLUMES 1 & 2

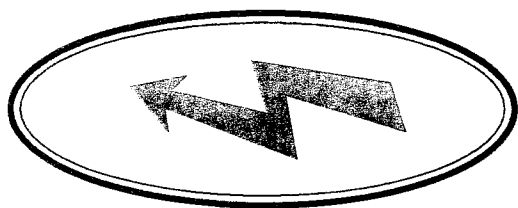




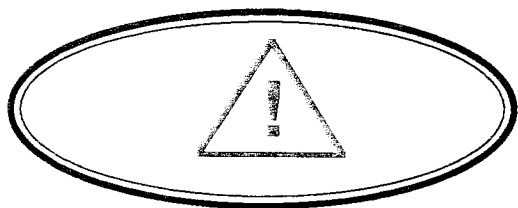
**DANGER**  
**HIGH VOLTAGE**



**THIS INSTRUMENT IS CAPABLE  
OF DELIVERING  
A LETHAL ELECTRIC SHOCK !  
when connected to a high voltage source**



FRONT or REAR terminals  
carry the Full Input Voltage  
**THIS CAN KILL !**



Guard terminal is sensitive to  
over-voltage  
**It can damage your  
instrument !**

Unless **you** are **sure** that it is **safe** to do so,  
**DO NOT TOUCH**  
the **I+ I- Hi or Lo leads and terminals**

**DANGER**

# CONTENTS

Servicing Diagrams and Component Lists .....	Refer to Volume 2
General Description, Installation, Controls, Connections and Operation; .....	Refer to
Applications, Specification and Specification Verification .....	User's Handbook

## PART 1 CALIBRATION AND SERVICING INFORMATION

Section	Title	Page
<b>1</b>	<b>CALIBRATION</b>	
1.1	Guide to Routine Calibration .....	1-1
1.2	DC Calibration:	
1.2.1	Zeros .....	1-5
1.2.2	Voltage .....	1-9
1.2.3	Current .....	1-14
1.3	AC Calibration:	
1.3.1	Introduction .....	1-16
1.3.2	Voltage .....	1-18
1.3.3	Current .....	1-26
1.4	Resistance Calibration .....	1-28
1.5	Remote Calibration Guidelines .....	1-31
1.6	Pre-Calibration:	
1.6.1	Introduction .....	1-33
1.6.2	Procedure .....	1-34
1.6.3	Remote Pre-Calibration Guidelines .....	1-37
1.7	Ohms Option Internal Adjustment .....	1-38
Appendices:		
1	Notes on the Use of the Null Detector .....	1-A1
2	Calibration Source Zero Offsets .....	1-A2
<b>2</b>	<b>FAULT DIAGNOSIS</b>	
2.1	Introduction .....	2-1
2.2	Diagnostic Guides .....	2-2
2.2.1	FAIL 1 (Excessive internal Temperature) .....	2-2
2.2.2	FAIL 2 (Over-Voltage) .....	2-2
2.2.3	FAIL 3 (Control Data Corrupted) .....	2-3
2.2.4	FAIL 4 (Precision Divider Fault) .....	2-3
2.2.5	FAIL 5 (Safety Circuits 'Watchdog' Tripped) .....	2-4
2.2.6	FAIL 6 (Calibration Memory Fault) .....	2-5
2.2.7	FAIL 7 (P. A. 400V Power Failure) .....	2-5
2.2.8	FAIL 8 (P. A. 38V Power Failure) .....	2-6
2.2.9	FAIL 9 (P. A. 15V Power Failure) .....	2-6
2.2.10	Error EF (External Frequency selected but not detected) .....	2-7
2.2.11	Error OL (Output Limits exceeded) .....	2-8
2.3	Self-Test Sequence .....	2-9
2.4	Fuse Protection .....	2-11
<b>3</b>	<b>DISMANTLING AND REASSEMBLY</b>	
3.1	General Precautions .....	3-1
3.2	General Mechanical Layout .....	3-1
3.3	Location and Access .....	3-2
3.4	General Access .....	3-3
3.5	Removal and Fitting .....	3-5
<b>4</b>	<b>SERVICING AND INTERNAL ADJUSTMENTS</b>	
4.1	Introduction .....	4-1
4.2	Cleaning the Air Intake Filter .....	4-3
4.3	Lithium Battery - Replacement .....	4-4
4.4	Standard Resistor Adjustment - Current/Ohms Assembly .....	4-6
4.5	Bias Current Adjustment - 100V PA .....	4-7
4.6	Capacitive Load Test .....	4-8
4.7	Quiescent Current Adjustment - Current/Ohms Assembly .....	4-9
4.8	Compliance Adjustment .....	4-10
4.9	Common Mode Null Adjustments .....	4-11
4.10	Sense Amplifier Zeros .....	4-12

# PART 2 TECHNICAL DESCRIPTIONS

Section	Title	Page
<b>5</b>	<b>PRINCIPLES OF OPERATION</b>	
5.1	Block Diagrams	5-1
5.2	Inputs	5-1
5.3	Digital Outputs	5-1
5.4	Precision Reference	5-2
5.5	Analog Control	5-3
5.6	DC Voltage Outputs	5-3
5.7	AC Voltage Outputs	5-3
5.8	1000V Ranges	5-5
5.9	DC/AC Current Outputs; Resistance Outputs	5-5
5.10	Datron 'Autocal'	5-5
<b>6</b>	<b>DIGITAL CIRCUITS; REFERENCE CIRCUITS; POWER SUPPLIES</b>	
6.1	Digital	6-1
6.2	Keyboard	6-11
6.3	Digital Displays	6-15
6.4	Analog Control Interface	6-22
6.5	Precision Divider	6-30
6.6	AC Reference - the Quasi-Sinewave	6-43
6.7	Power Supplies	6-47
<b>7</b>	<b>DC VOLTAGE OUTPUTS - AMPLITUDE CONTROL SYSTEM</b>	
7.1	Introduction	7-1
7.2	Low Voltage Loops	7-2
7.3	DC 1V Loop	7-3
7.4	100mV Range	7-6
7.5	100 $\mu$ V - 10mV Ranges	7-7
7.6	DC 10V Loop	7-7
7.7	DC High Voltage Loops	7-9
7.8	100V Range	7-10
7.9	1000V Range	7-15
7.10	Logic Control of DC Outputs	7-20
7.11	DC Assembly Relay Drives and Logic	7-21
7.12	PA Assembly Logic and Relay Drives	7-24
<b>8</b>	<b>AC VOLTAGE OUTPUTS - FREQUENCY CONTROL SYSTEM</b>	
8.1	Digital Frequency Synthesizer	8-1
8.2	Quadrature Sinewave Oscillator	8-9
8.3	External Frequency Lock	8-17
<b>9</b>	<b>AC VOLTAGE OUTPUTS - AMPLITUDE CONTROL SYSTEM</b>	
9.1	Introduction	9-1
9.2	AC Voltage Amplitude Control System - Block Diagram	9-2
9.3	Voltage Controlled Amplifiers	9-3
9.4	AC Low Voltage Loop	9-7
9.5	AC High Voltage Loops	9-12
9.6	AC 100V Range	9-13
9.7	AC 1000V Range	9-15
9.8	AC High Voltage Sensing	9-18
9.9	Sine/Quasi-Sine RMS Comparator	9-19
9.10	Logic Control of AC Outputs	9-30
<b>10</b>	<b>CURRENT OUTPUTS AND RESISTANCE</b>	
10.1	DC and AC Current	10-1
10.2	Resistance	10-5
10.3	Function Switching	10-6
10.4	Current/Ohms Assembly Analog Control	10-7

# ILLUSTRATIONS

## PART 1 CALIBRATION AND SERVICING INFORMATION

Title	Page
<b>1 CALIBRATION</b>	
Calibration Mode Keys .....	1-3
<b>DC Calibration:</b>	
Zeros:	
±0 Alignment Check.....	1-6
±0 Realignment.....	1-7
Range Zero Connections.....	1-8
Voltage:	
Low Voltage Connection.....	1-10
High Voltage Connection .....	1-12
Current:	
100µA to 1A.....	1-15
<b>AC Calibration:</b>	
Mid-frequency Exclusions .....	1-16
Voltage (1V to 1000V):	
Connections .....	1-18
2-wire Compensation Connections .....	1-20
Millivolts:	
LF Connections .....	1-21
HF Connections .....	1-22
Current:	
Connections for Thermal Transfer, Current Shunts and DC Current Standard .....	1-26
Alternative Method using Verified 4707, Calibrated Standard AC Shunts and AC DVM.....	1-27
<b>Resistance Calibration:</b>	
4-wire .....	1-29
2-wire .....	1-30
<b>Remote Calibration Guidelines:</b>	
Transfer of Calibration Facilities .....	1-31
<b>Pre-Calibration:</b>	
Identification of Access Holes .....	1-33
Procedure:	
DC Connections.....	1-34
AC Connections (LF).....	1-35
AC Connections (HF).....	1-36
Pre-Cal Disable.....	1-36
<b>Remote Pre-Calibration Guidelines:</b>	
Transfer of DC Pre-Calibration Facilities .....	1-37
Transfer of AC Pre-Calibration Facilities .....	1-37
<b>2 FAULT DIAGNOSIS</b>	
<b>Self Test Sequence:</b>	
Stage 1 .....	2-9
Stage 2 .....	2-10
<b>3 DISMANTLING AND REASSEMBLY</b>	
<b>HF Transformer Assembly:</b>	
HF Transformer .....	3-10
<b>LF Transformer Assembly:</b>	
LF Transformer .....	3-11
<b>4 SERVICING AND INTERNAL ADJUSTMENTS</b>	
Battery Replacement .....	4-5

## PART 2 TECHNICAL DESCRIPTIONS

Section	Figure	Title	Page
5	5.1	4708 Simplified Block Diagram	5-0
	5.2	4708 Block Diagram - Digital, Control and References	5-7
	5.3	4708 Block Diagram - DC Operation	5-9
	5.4	4708 Block Diagram - AC Operation	5-11
6	6.1	Digital Function Block Diagram	6-2
	6.2	Software Overview	6-4
	6.3	Master Clock Waveforms	6-8
	6.4	Clock Shaping Circuit	6-9
	6.5	Clock Shaping Waveforms	6-9
	6.6	M6 Interface (P8279) - Simplified Schematic	6-11
	6.7	Action of Buzzer Control Latch	6-13
	6.8	Mode and Output Displays - Functional Block Diagram	6-14
	6.9	RAM Access - Write Mode Logic	6-16
	6.10	Read Mode Logic - RAM Access and Segment Switching	6-17
	6.11	Display Scan Sequences	6-17
	6.12	Display Timing Waveforms	6-19
	6.13	Comma Logic - Timing Waveforms	6-20
	6.14	Serial Data Link - Simplified Functional Block Diagram	6-22
	6.15	Serial Data Transfer Organization	6-23
	6.16	SSDA Clock Generator Waveforms	6-25
	6.17	WATCHDOG Circuitry - Simplified Block Diagram	6-29
	6.18	Precision Divider Out-Guard Circuitry - Simplified Block Diagram	6-30
	6.19	Precision Divider In-Guard Circuitry - Simplified Block Diagram	6-30
	6.20	13-Bit Counter Waveforms	6-32
6.21	BUSY Waveforms	6-33	
6.22	MSB Sync Logic Waveforms	6-34	
6.23	MSB Set/Reset Pulse Generation	6-35	
6.24	LSB Set/Reset Pulse Generation	6-36	
6.26	Action of LSD Switch	6-38	
6.27	Action of Main and Guard Switches (MSD)	6-40	
6.28	Quasi-Sinewave Generation	6-45	
6.29	Power Distribution Simplified Block Diagram	6-47	
7	7.1	Low Voltage DC Operation - Simplified Functional Diagram	7-2
	7.2	DC High Voltage Loop - Simplified Block Diagram and Routing	7-9
	7.3	Action of Constant-Current Source	7-18
	7.4	UPD(IG) Signal Distribution	7-21
	7.5	Typical Clamped Buffer	7-22
		Circuit Diagram 430668.....DC Clamp Circuit	7-23
	7.6	Limit Status Signal Origins	7-26
8	8.1	Frequency Synthesizer Block Diagram	8-1
	8.2	VCO Block Diagram	8-2
	8.3	Frequency Dividers Block Diagram	8-4
	8.4	The Quadrature Sinewave Oscillator and its System Environment	8-9
	8.5	Basic Quadrature Sinewave Oscillator	8-10
	8.6	Gain and Phase Response of Practical Circuit	8-10
	8.7	Corrected Quadrature Oscillator	8-11
	8.8	Fine Frequency Control	8-12
	8.9	Summing $A^2\sin^2\omega t$ with $A^2\cos^2\omega t$	8-14
	8-10	External Frequency Lock - Block Diagram	8-17
	8-11	1MHz/10MHz detector Waveforms	8-18
9	9.1	Output Amplitude Control System	9-1
	9.2	VCA - Block Diagram	9-3
	9.3	1V Buffer - Output Stage	9-4
	9.4	Simplified Diagram of Tracking Analog-to-Digital Converter	9-5
	9.5	A-D Tracking - R/2R Network	9-5
	9.6	Window Comparator Action	9-6
	9.7	Low Voltage Loop - Simplified Block Diagram and Routing	9-7
	9.8	Millivolt Attenuators	9-10
	9.9	The Sine/Quasi-Sine RMS Comparator and its System Environment	9-19
	9.10	Sine/Quasi-Sine RMS Comparator - Block Diagram	9-20
	9.11	Sine/Quasi-Sine RMS Comparator - Sequence Cycle	9-20
	9.12	Sine/Quasi-Sine RMS Comparator - Sequence Timing	9-22
	9.13	Comparator Timing Logic	9-25
	9.14	Three Stages of Output Build-up from Zero	9-29
10	10.1	Basic Voltage-to-Current Converter	10-1
	10.2	AC Current Generation	10-1
	10.3	Current Range Configurations	10-3
	10.4	Routing of Functions on Current/Ohms Assembly	10-6
	10.5	Typical Clamped Buffer	10-8
	Circuit Diagram 430669.....Current/Ohms Clamp Circuit	10-9	





# **PART 1**

## **CALIBRATION AND SERVICING INFORMATION**

- SECTION 1      Calibration.**
- SECTION 2      Fault Diagnosis**
- SECTION 3      Dismantling and Reassembly.**
- SECTION 4      Servicing and Internal Adjustments.**



# SECTION 1 CALIBRATION

(User's are recommended to have first completed the Verification procedures in Section 7 of the User's Handbook.)

## 1.1 GUIDE TO ROUTINE CALIBRATION

### Circumstances Calling For Subsequent Recalibration

#### SCHEDULED RECALIBRATION

Routine calibration is carried out from the front panel, avoiding thermal disturbance and allowing immediate return to use. The 4708 is fully calibrated before leaving the factory. The specifications for the 4708 are based on standard intervals of up to 24 hours, 90 days or 1 year from calibration. Some users will wish to maintain the highest accuracy by recalibrating at short intervals (e.g. every 24 hours). In these cases, recalibration becomes a routine task. For this reason, Routine Autocalibration procedures are also explained in Section 8 of the User's Handbook.

Users may wish to choose alternative schemes, accounting for:

- The accuracy required when in use,
- The instrument specifications (*User's Handbook Section 6*)
- The scheduled calibration intervals normally adopted by the user's organization

The Routine Calibration procedures are sufficient for all normal recalibration purposes, except when Pre-cal is called for (*Refer to Table 1.1*).

#### RE STANDARDIZATION

Occasions may arise when it is necessary to trim the instrument's internal Master Reference. For example, when the 4708 is to be made traceable to a different National Standard, after transportation from one country to another (*Refer to AUTOCAL FACILITIES page 1-3*).

#### CALIBRATION MEMORY CORRUPTION

##### Battery Change

Calibration corrections are stored in an internal memory which remains energized by a battery. The Lithium battery which powers the non-volatile calibration memory should be replaced after 5 years (*Refer to Section 4.3*). After replacement, a full Pre-calibration is required followed by a complete Routine Autocalibration.

##### Memory Check failure

When cal is pressed the constant is checked to be within prescribed limits before being stored. Values outside prescribed limits flag a *Fail 6*. The same check is performed:

- When the instrument is powered-up
- Each time the output is switched ON
- During each self-test routine

#### CRITICAL PART CHANGES

Recalibration (or Verification) is necessary after replacement of a critical PCB assembly or a critical component. These are listed in Table 1.1 (*see flap of this page*), indicating the extent of the recalibration necessary.

##### Ohms Internal Adjustments

- If the Power Supply/Current Heatsink has been changed it may be necessary to adjust the quiescent bias current (IQ) by internal adjustment. Refer to *Section 4.7* for further information.
- If a standard resistor value has been changed by subjecting to undue stress, it may be possible to recalibrate by internal adjustment. Refer to *Section 4.4* for further information.

### Recalibration Procedures in this Section

#### ROUTINE AUTOCALIBRATION

The Routine Calibration procedures are sufficient for all normal recalibration purposes, except when Pre-cal is called for (*refer to Table 1.1 on flap of this page*).

#### REMOTE CALIBRATION OVER THE IEEE 488 BUS

The device-dependent commands necessary for routine calibration of the instrument over the IEEE 488 bus are described as a supplement to Section 5 of the User's Handbook. A guide line example is given, but this needs to be adapted for the bus controller in use.

#### PRE-CALIBRATION PROCEDURES

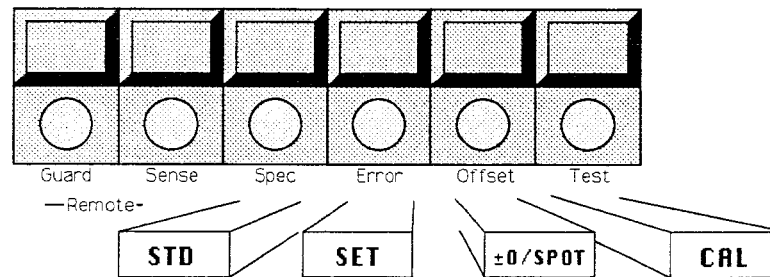
In an initial internal calibration process at manufacture, certain 'Pre-cal' parameters are established in a special calibration memory.

Under certain conditions (detailed in Table 1.1) these parameters need to be re-established by completing the 'Pre-Cal' procedure before a Full Routine Autocalibration.

Assembly	Components Replaced	Calibration Required
<b>Digital</b> <i>(11.2)</i>	Complete Assembly Lithium Battery ( <i>Sect. 4.3</i> ) Non-volatile RAM (M10/M23) Non-volatile RAM Supply commutator components	Pre- & Routine Calibration Pre- & Routine Calibration Pre- & Routine Calibration Pre- & Routine Calibration
<b>Reference Divider</b> <i>(11.4)</i>	Complete Assembly  Reference Assembly ( <i>11.4-7</i> ) Any set of main, guard or LSD switch FET's Reference Buffer Switch Driver Flip Flops or their preselected resistors R79	Pre- & Routine Calibration  Pre- & Routine Calibration Pre- & Routine Calibration  Pre- & Routine Calibration Pre- & Routine Calibration  Pre- & Routine Calibration
<b>DC Assembly</b> <i>(11.5)</i>	Complete Assembly 1V attenuator R73/R74  100mV attenuator R69/70/71 72/75/76 100V/1000V attenuator R8/9/25/26/46/47/64/65 88/95/98	DC (All Ranges) only. DC (1V, 100mV, 10mV, 1mV, 100 $\mu$ V Ranges) only. DC (100mV, 10mV, 1mV, 100 $\mu$ V Ranges) only.  DC (100V, 1000V Ranges) only.
<b>Sine Source</b> <i>(11.6)</i>	Complete Assembly	Specification Verification at User's Discretion
<b>AC</b> <i>(11.7)</i>	Complete Assembly  Sense Amplifier Reference Inverter AC/DC Transfer & Integrators	Routine Calibration  Routine Calibration Routine Calibration Routine Calibration
<b>I/<math>\Omega</math> Option</b> <i>(11.8)</i>	Complete Assembly (N.B. Internal Adjustment required, refer to <i>Section 4.5</i> )  +10 attenuator (R43/44) (DCI function)  Current shunts R8/9/10/79/80 (DCI function)  M8 and associated components Current Shunts Feedback resistor R45  Standard Resistors, associated pre-selected/variable trimmer resistors ( $\Omega$ function)	I/ $\Omega$  DCI  DCI  ACI  I/ $\Omega$ Option internal adjustment ( <i>Section 1.5</i> ) $\Omega$ calibration (replaced values only)
All Other Assemblies Not Listed Above		Specification Verification at User's Discretion

**Table 1.1**

## AUTOCAL FACILITIES



These keys are activated by two rear panel switches (*refer to flap of page 1-2 'Preparing the 4708'*). When these modes are active, the legend 'cal' is presented on the MODE display.

The following is a general description of the facilities available. For specific information see the introduction proceeding each of the function's calibration routines.

### CAL

The 4708 assumes that the selected range is to be calibrated at the exact Full Range value or at Zero. The instrument decides on 'Zero Offset' or 'Full Range Gain' from the OUTPUT display value (defined by the same limits as for 'SET'), and executes the calibration. If the value initially set on the OUTPUT display is below 2% of Full Range value, the instrument assumes that an offset calibration is requested, and if at 2% or above, a gain calibration is assumed.

### CAL (with pre-selection)

If the CAL key is pressed after first pressing STD SET or ±0. The CAL key executes, then cancels, the preselected AUTOCAL mode.

#### Caution

The following keys preselect an AUTOCAL mode, modifying the action of the 'CAL' key.

### SET

The SET key allows gain or offset calibration to a Calibration Standard value which cannot be adjusted to a nominal Full Range value or to absolute zero.

Before selecting SET, the  $\uparrow\downarrow$  keys are operated to place the Calibration Standard value on the OUTPUT display and set the 4707 output level.

Pressing SET then informs the 4708 that calibration is to be carried out at this value. The instrument acknowledges by duplicating the value on the MODE display.

Next, the  $\uparrow\downarrow$  keys are manipulated to null the 4708 output against the Calibration Standard (the OUTPUT display changes during this adjustment).

Pressing the CAL key executes the calibration. The 4708 memorizes the difference between the two display values, and exits from SET mode. This is shown by transfer of the Standard value from the MODE display to the OUTPUT display. The instrument uses the difference to modify stored constants, which in 'RUN' mode correct both positive and negative outputs on the calibrated range only.

### ±0 / SPOT

On the DCV function, the ±0 key is used to align the ON+ and ON- zeros of all DC voltage and current ranges, by a two part calibration on the 10V range. It is only necessary when the ON+ and ON- zeros of the 10V range do not coincide at the same null.

On the ACV and ACI function, the function of the key changes to SPOT Frequency calibration. When SPOT is pressed, the 4708 assumes that the spot frequency is to be changed, and so defaults the frequency to 1kHz. When used with SET, SPOT calibration can be carried out within 10% of the full range value, but when SPOT is used without SET, the 4708 assumes that the calibration is to be at Full Range. After SPOT calibration, selecting Spot F at the calibrated value achieves the highest possible accuracy. It is only necessary to perform Spot Frequency calibration if the accuracy achievable is required in use. For recall procedures see the User's Manual page 4-10.

### STD

The STD key allows a user to re-standardize by trimming the value of the internal Master Reference voltage effectively changing the gain of all DC voltage and current ranges in the same ratio. The facility can be used to avoid a full recalibration of the 4708 when Laboratory References have been re-standardized (for instance when the instrument has been moved from one country to another).

First check ±0 Alignment. The STD calibration is carried out on either the 1V or 10V range, using the DC Low Voltage procedure. Select STD after placing the Calibration standard value on the OUTPUT display. Continue the routine from step (1.). Procedurally STD differs from SET only in the use of the STD key instead of the SET key.

#### Caution

Using the 'STD' key changes the gain of all voltage and current ranges

## GENERAL NOTES

### INTERCONNECTIONS

It is recognised that interconnection instructions may need to be adapted to meet an individual user's requirements. It is assumed that users will possess some knowledge of the operation and use of standards equipment.

### SENSE AVAILABILITY AS FOLLOWS

1V 10V 100V 1000V	-	Local/Remote Sense
1mV 10mV 100mV	-	Local Sense only
All current ranges	-	not applicable

(Local: 2-wire sense, Remote: 4-wire sense)

Output must be OFF to change sense connection (except that Remote changes automatically to Local when switching to Millivolt Ranges).

### OUTPUT OFF DEFAULT WHEN UPGRANGING

The 4708 cannot enter High-Voltage state with OUTPUT ON. Consequently, when ranging-up, the operating system allows the upranging to occur, but defaults to OUTPUT OFF for two specific cases:

- When upranging to the 1000V Range
- When upranging to the 100V Range;  
To a voltage of 90V or more on DC  
To a voltage of 75V or more on AC

Otherwise, OUTPUT remains ON when changing OUTPUT RANGE (refer to *User's Handbook Section 4, pages 4-7 to 4-9*).

## GENERAL PROCEDURE

Prepare the instrument for calibration (refer to '*Preparing the 4708 procedure on flap of page 1-2*'). Note that your instrument will not necessarily have all options fitted - Option 10 incorporates the DC Voltage function, Option 20 the AC Voltage function and Option 30 adds the Resistance and Current functions. The message *Error 3* appears on the MODE display for any attempt to select an inappropriate mode. Select the equipment and procedures to be used. Set all sources to zero and all measurement devices to low sensitivity and configure using the interconnection diagram provided. If calibrating DC function, start with  $\pm 0$  Alignment check routine. When all calibration has been completed use the 'Return to Use' routine on the flap of page 1-2.

### Calibration Routine

Set the 4708 to OUTPUT ON and Full Range value. Adjust the 4708 output to equal the calibration standard and press 'cal'. The OUTPUT display changes to nominal.

### Calibration Routine (with preselection)

The OUTPUT display is set to the Calibration Standard value, the 4708 output is switched ON, and one of the calibration mode preselector keys (STD, SET or  $\pm 0$ ) is pressed. The 4708 output is adjusted to equal the Calibration Standard value, and the CAL key is pressed to execute the calibration.

## 1.2 DC CALIBRATION

### 1.2.1 Zero Calibrations

The following procedures are available;

**±0 ALIGNMENT CHECK**  
**±0 CALIBRATION**  
**RANGE ZERO CALIBRATION**

#### **±0 ALIGNMENT CHECK**

±0 alignment can be checked without affecting the stored constants. If necessary recalibrate before proceeding with DC Range Zero, DC Voltage, DC Current or DC Current Range Zero calibration (*refer to Appendix 2 - Calibration Source Zero Offsets*).

#### **NOTE**

For alignment checks only, set the security keyswitch to RUN.

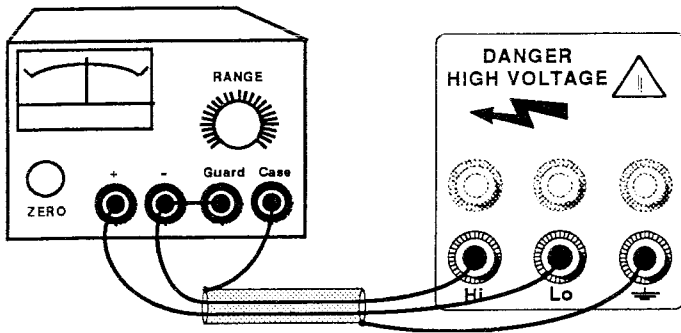
#### **±0 CALIBRATION**

The ±0 key is used to align the ON+ and ON- zeros of all DC voltage and current ranges, by a two part calibration on the 10V range. It is only necessary when the ON+ and ON- zeros of the 10V range do not coincide at the same null. Available in DC function only.

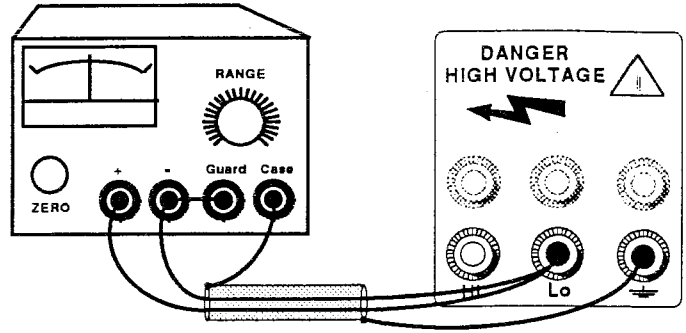
#### **RANGE ZERO CALIBRATION**

All the procedures for DC Gain calibration take into account the zero offsets. However a Range Zero calibration will allow the 4708 ON+ zero output to be set as close as possible to absolute zero. The procedure adjusts each range to a null detected across the sense 'Hi' and 'Lo' terminals.

## ±0 ALIGNMENT CHECK



**4708 ON+ & ON- ALIGNMENT MEASUREMENT**



**NULL DETECTOR SELF-ZERO**

The following checks the ON+ and ON- zero turnover. The alignment should be checked and if necessary calibrated before proceeding with DC or DCI calibration (refer to *Appendix 2 - Calibration Source Zero Offsets*). It is not necessary to be in 'CAL' mode to perform the alignment check.

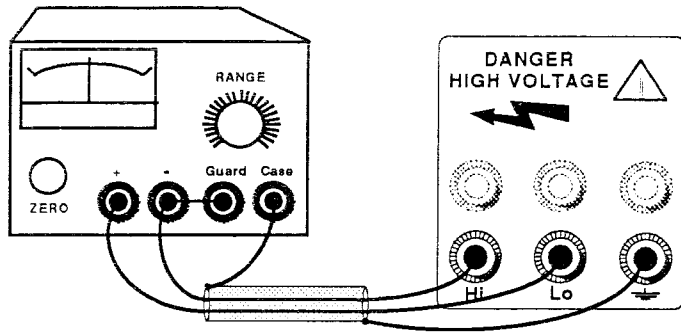
### ROUTINE:

1. **Null Detector**  
Set to Low sensitivity
2. **4708**  
With OUTPUT OFF, Select DC, OUTPUT Zero.  
Select 10V RANGE and ON+.
3. **Null Detector**
  - a. Successively increase sensitivity range, using 'self-zero' control to give near-zero readings; until a range is reached which clearly resolves a single increment of the least-significant digit on the 4708 OUTPUT display.
  - b. Disconnect Hi lead from the 4708 Hi terminal, and connect to Lo as illustrated for Null Detector self-zero.
  - c. Adjust Null Detector to zero using self-zero control.
  - d. Disconnect Hi lead from the 4708 Lo terminal, and reconnect to Hi.
  - e. Note Null detector reading.
4. **4708**  
Select 'ON-'.
  5. **Null Detector**  
Note Null detector reading.

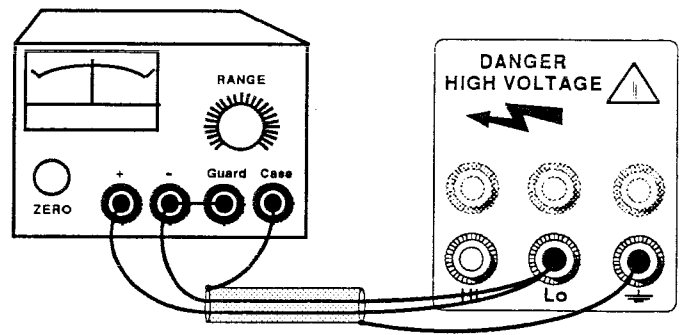
If the turnover is considered excessive the user can recalibrate as close as possible to absolute zero (*refer on to ±0 CALIBRATION*)



## ±0 CALIBRATION



4708 ON+ & ON- ALIGNMENT



NULL DETECTOR SELF-ZERO

EXPLANATORY NOTE: After '±0' is selected; the calibration firmware stores the OUTPUT display value every time the CAL key is pressed, until it has received one reading from each polarity (as defined by the ON state). If it receives only one polarity it will continue to update the stored value until it stores the other polarity. It then carries out the necessary calculations to align the two zeros. Thus the ±0 calibration can be performed in either direction: ON+ first, then ON-; or ON- first, then ON+; and it is possible to correct the nulling for the first polarity, but not for the second (opposite). This procedure will allow, at time of calibration, the turnover error to be reduced to  $\leq 5\mu\text{V}$  taking polarity into account. Use of the ±0 key should be followed by a complete Range Zero Calibration.

### ROUTINE:

#### 1. Null Detector

Set to low sensitivity.

#### 2. 4708

- With OUTPUT OFF, Select DC, OUTPUT Zero.
- Select 10V RANGE and ON+.

#### 3. Null Detector

- Successively increase sensitivity range, using 'self-zero' control to give near-zero readings; until a range is reached which clearly resolves a single increment of the least-significant digit on the 4708 OUTPUT display.
- Disconnect from the 4708 Hi terminal, and connect to Lo as illustrated for Null Detector self-zero.
- Adjust to zero using self-zero control.
- Disconnect from the 4708 Lo terminal, and reconnect to Hi.

#### 4. 4708

Press ±0 Key: ±0 LED lights,  
Adjust the OUTPUT  $\uparrow\downarrow$  keys to null the detector.  
Press CAL key: CAL LED lights

#### 5. Null Detector

Reduce Null Detector sensitivity

#### 6. 4708

Select 'ON-'

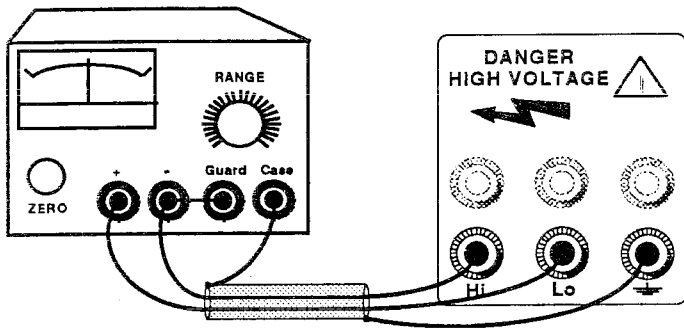
#### 7. Null Detector

Successively increase sensitivity range, using the 4708 OUTPUT  $\uparrow\downarrow$  keys to give near-zero readings; until the zeroed range is reached.

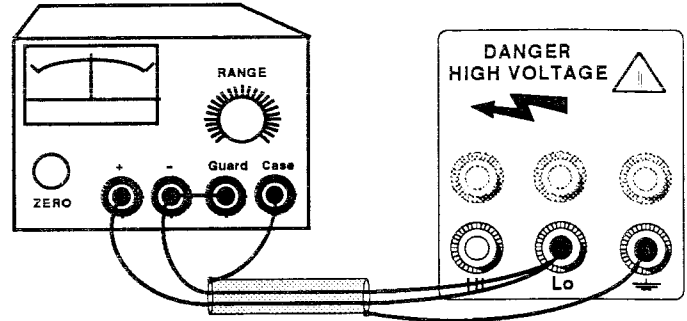
#### 8. 4708

Press CAL key: CAL LED goes off.  
±0 LED goes OFF, OUTPUT display falls to zero.

## RANGE ZERO CALIBRATION



4708 ON+ RANGE ZERO



NULL DETECTOR SELF-ZERO

### Calibration of DC Voltage Range Zeros.

The routine below includes a sequence for zeroing the Null Detector on the correct sensitivity range. This is necessary, because for most Null Detectors the zero is range-dependent. The self-zero input should include the Hi and Lo leads as shown in the connection illustration. Commencing with the lowest range calibrate the DC Zeros in the sequence of the table using the Zero Calibration Routine for each range selected.

#### ROUTINE:

1. **Null Detector**  
Set to Low sensitivity
2. **4708**  
With OUTPUT OFF, Select DC, OUTPUT Zero.  
Select RANGE from table and ON+.
3. **Null Detector**  
Successively increase sensitivity range, using 'self-zero' control to give near-zero readings; until a range is reached which clearly resolves a single increment of the least-significant digit on the 4708 OUTPUT display.
  - a. Disconnect from the 4708 Hi terminal, and connect to Lo as illustrated for Null Detector self-zero.
  - b. Adjust to zero using self-zero control.
  - c. Disconnect Hi lead from the 4708 Lo terminal, and reconnect to Hi.
4. **4707**  
Use OUTPUT  $\uparrow\downarrow$  keys to zero the Null Detector reading. Continue until a single increment of the least-significant digit on the OUTPUT display gives the closest approach to zero. Press CAL key. CAL LED flashes once. OUTPUT display reverts to zero. The Range is now calibrated at zero to the Null Detector zero value.

#### Nominal Calibration Points for Range Zeros

4708 Range	Calibration Operation	4708 Output Setting	AUTOCAL Key Used
100mV	ON+ zero	(ON+) 0.0000mV	OUTPUT $\uparrow\downarrow$ then 'CAL'
1V	ON+ zero	(ON+) .000000V	OUTPUT $\uparrow\downarrow$ then 'CAL'
10V	ON+ zero	(ON+) 0.00000V	OUTPUT $\uparrow\downarrow$ then 'CAL'
100V	ON+ zero	(ON+) 0.0000V	OUTPUT $\uparrow\downarrow$ then 'CAL'
1000V	ON+ zero	(ON+) 0.000V	OUTPUT $\uparrow\downarrow$ then 'CAL'

## 1.2.2 Voltage

### INTRODUCTION

The following routines:

**DC Low voltage** (100mV to 10V) and  
**DC High Voltage** (100V to 1kV)

adjust all DC Voltage Range gains against a Calibration Source, after correcting for the Source's zero offset.

The procedures assume that the 4708 'ON+' and 'ON-' output zero levels are coincident, and that all DC Voltage Range zeros have been adjusted to a null detected across the Sense 'Hi' and 'Lo' terminals (Refer to '±0 Alignment Routine').

#### Caution

First read 'Notes on the use of the Null Detector' (*Appendix 1*), and 'Calibration Source Zero Offsets' (*Appendix 2*).

### 1. CONNECTIONS

Ensure that all source outputs are OFF and Null Detector is set to Low Sensitivity. Use short leads and connect the Null Detector between the 4708 and Calibration Source as shown.

### 2. CALIBRATION ROUTINES

Start with the lowest Nominal Calibration Point from the table. Use the accompanying routine and repeat for each 4708 Range to be calibrated. Ensure that the interconnecting circuit has thermally stabilised before carrying out each 'Autocal' operation.

Notes:

- The Null Detector should be approximately self-zeroed before use to avoid excessive deflections. It is not necessary to do this on the sensitivity range used for final gain calibration, as the reference zero is set in operation (e.).
- The routine assumes calibration at nominal Full Range values. To trim the internal Master Reference Voltage on the 1V or 10V Range, or to calibrate at a non-nominal value, refer to following description of SET and STD keys.

### DC AUTOCAL FACILITIES

#### CAL

If the CAL key is pressed the 4708 assumes that a calibration at either Zero or Full Range is required. It uses the value on the OUTPUT display to distinguish between Zero (Offset calibration) and Full Range (Gain calibration).

#### Caution

Below 2% of Range, the 4708 corrects for an assumed offset error; at 2% of Range and above the correction is for an assumed gain error.

If SET or STD has been pressed the CAL key executes the preselected AUTOCAL mode.

#### SET

The SET key allows calibration to any value in the selected Range (e.g. at a standard cell voltage). Press SET after operation (k.) and before operation (l.). The SET LED lights green and the OUTPUT display reading also appears on the MODE display. Continue the routine but note that on pressing CAL (step (n.)) the MODE display clears as its value is transferred to the OUTPUT display. The SET LED goes off.

#### Caution

If the value initially set on the OUTPUT display is below 2% of Full Range value, the instrument assumes that an offset calibration is requested, and if at 2% or above, a gain calibration is assumed.

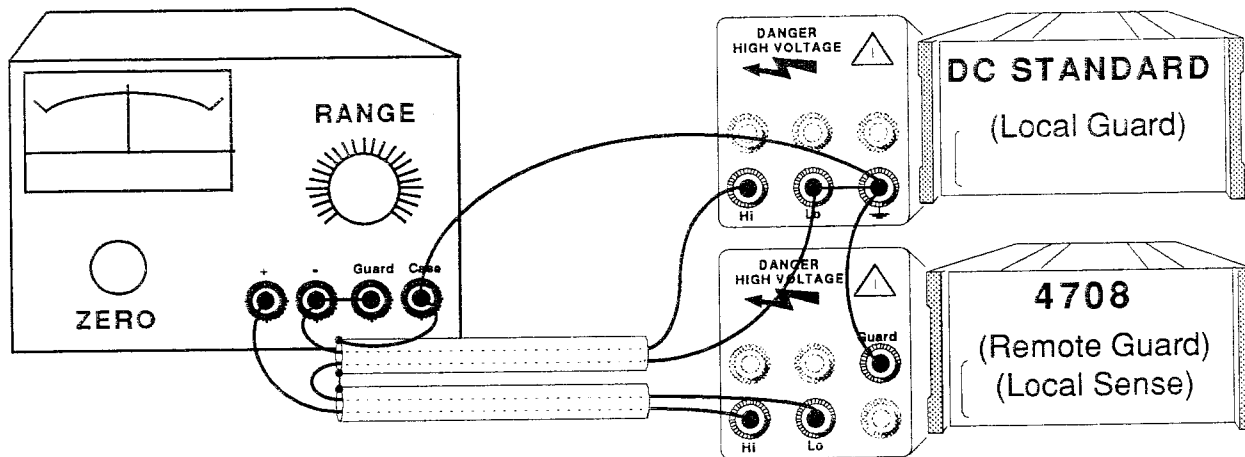
#### STD

The STD key allows a user to trim the value of the internal Master Reference voltage. STD calibration in DC mode effectively changes the gain of all voltage and current ranges in the same ratio. It does not affect values of AC or Ohms functions. STD calibration can be carried out on either 1V or 10V Ranges and differs from the SET procedure only in the use of the STD key instead of the SET key.


#### ±0

DO NOT USE - refer to earlier ±0 Alignment routine.

## DC LOW VOLTAGE (100mV to 10V)



### WARNING:

Terminals marked with the  symbol carry the output of the 4708. These terminals and any other connections to the load under test could carry lethal voltages. Under no circumstances should users touch any of the front (or rear) panel terminals unless they are first satisfied that no dangerous voltage is present.

### CAUTION:

Connection or disconnection of measurement circuitry should only be attempted when all voltage sources are OUTPUT OFF.

Before setting OUTPUT ON ensure that the correct polarities have been selected and any measurement device has been set to low sensitivity.

**Routine:**

- a. **Null Detector**  
Set to Low sensitivity.
- b. **4708**  
Ensure OUTPUT OFF.  
Select OUTPUT Zero DC and required RANGE.
- c. **Calibration Source**  
Set to 'ON+' Zero.  
Select correct Range.
- d. **4708**  
Press the ON+ key.
- e. **Null Detector**  
Successively increase sensitivity range, using self-zero to give near-zero readings; until a range is reached which clearly resolves a single increment of the least-significant digit on the 4708 OUTPUT display.
- f. **4708**  
Reselect OUTPUT Zero.
- g. **Null Detector**  
Use the 'Self-zero' control to give an accurate zero.
- h. **4708**  
Press the OFF key.
- j. **Calibration Source**  
Set to the required voltage for Range gain calibration.

- k. **4708**  
Use Full Range or OUTPUT  $\uparrow\downarrow$  keys to set the required positive value on the OUTPUT display.  
Press the ON+ key and select Full Range.

N.B. At this stage do not readjust the Null-Detector self-zero.

- l. **4708**  
Use OUTPUT  $\uparrow\downarrow$  keys to zero the Null Detector reading. Continue until a single increment of the least-significant digit on the OUTPUT display gives the closest approach to zero.

- m. **Null Detector**  
Set to LOW sensitivity.

- n. **4708**  
Press CAL key:  
CAL LED flashes once.

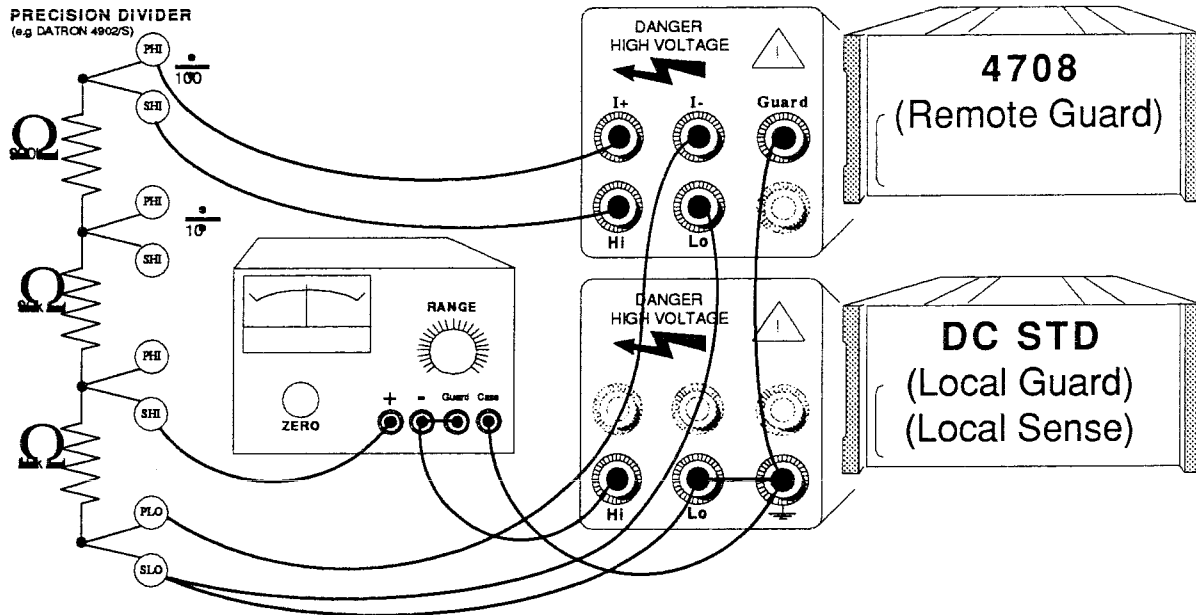
The 4708 is now gain-calibrated at this voltage.

**Nominal Calibration Points for Low Voltage**


4708 Range	Calibration Operation	Calibration Source & 4708 Output (ON+ Nominal) [1]	Control to be Adjusted to Obtain Null	Press 'CAL' Key to Calibrate
100mV 100mV	Zero offset Range gain	0.0000mV 100.0000mV	Null Det. 'Zero' 4708 OUTPUT $\uparrow\downarrow$	Not used [2] 'CAL'
[3] 1V 1V	Zero offset Range gain	.000000V 1.000000V	Null Det. 'Zero' 4708 OUTPUT $\uparrow\downarrow$	Not used [2] 'CAL'
[3] 10V 10V	Zero offset Range gain	0.00000V 10.00000V	Null Det. 'Zero' 4708 OUTPUT $\uparrow\downarrow$	Not used [2] 'CAL'

- [1] It is expected that many users will wish to calibrate Range gains at values other than the nominals shown. In these cases set the Calibration Source voltage and 4708 OUTPUT display to in-house standard values near nominal.
- [2] For non-nominal gain calibration; use 'SET' key after entering value on the OUTPUT display before adjusting for null.
- [3] To trim the internal Master Reference voltage on 1V or 10V Range: use 'STD' key after entering value on 4708 OUTPUT Display before adjusting for null (Refer to Calibration Routine and description of 'STD').

## DC HIGH VOLTAGE (100V to 1000V)



### WARNING:

Terminals marked with the  symbol carry the output of the 4708. These terminals and any other connections to the load under test could carry lethal voltages. Under no circumstances should users touch any of the front (or rear) panel terminals unless they are first satisfied that no dangerous voltage is present.

### CAUTION

Connection or disconnection of measurement circuitry should only be attempted when all voltage sources are OUTPUT OFF.

Before setting OUTPUT ON ensure that the correct polarities have been selected and any measurement device has been set to low sensitivity.

**Note:** On the diagram, the terminals of the Precision Divider are marked 'PHI', 'PLO', 'SHI' and 'SLO'. These are terms which apply to the Datron 4902 and 4902S, referring to their Power Hi & Lo inputs and Hi & Lo Sense points, for true 4-wire connections (described in their User's Handbook).

For other dividers, it is important that true 4-wire connections are made directly to the elements of the divider, and that the divider has been calibrated at the connection points.

**Routine:**

- a. **Null Detector**  
Set to Low sensitivity.
- b. **4708**  
Ensure OUTPUT OFF.  
Select OUTPUT Zero DC and required RANGE.
- c. **Calibration Source**  
Set to 'ON+' Zero.  
Select correct Range.
- d. **4708**  
Press the ON+ key.
- e. **Null Detector**  
Successively increase sensitivity range, using self-zero to give near-zero readings; until a range is reached which clearly resolves a single increment of the least-significant digit on the 4708 OUTPUT display.
- f. **4708**  
Reselect OUTPUT Zero.
- g. **Null Detector**  
Use the 'Self-zero' control to give an accurate zero.
- h. **4708**  
Press the OFF key.
- j. **Calibration Source**  
Set to the required voltage for Range gain calibration.

- k. **4708**  
Use Full Range or OUTPUT  $\uparrow\downarrow$  keys to set the required positive value on the OUTPUT display.  
Press the ON+ key and select Full Range.

N.B. At this stage do not readjust the Null-Detector self-zero.

- l. **4708**  
Use OUTPUT  $\uparrow\downarrow$  keys to zero the Null Detector reading. Continue until a single increment of the least-significant digit on the OUTPUT display gives the closest approach to zero.

- m. **Null Detector**  
Set to LOW sensitivity.

- n. **4708**  
Press CAL key:  
CAL LED flashes once.

The 4708 is now gain-calibrated at this voltage.

**Nominal Calibration Points for High Voltage**

4708 Range	Calibration Operation	Precision Divider Select	Calibration Source (ON+ Nominal) [1]	4708 Output (ON+ Nominal) [1]	Control to be Adjusted to Obtain Null	Press 'CAL' Key to Calibrate
100V	Zero offset	+10	0.00000V	0.0000V	Null Det. 'Zero' 4708 OUTPUT $\uparrow\downarrow$	Not used [2] 'CAL'
100V	Range gain	+10	10.00000V	100.0000V		
1000V	Zero offset	+100	.00000V	0.000V	Null Det. 'Zero' 4708 OUTPUT $\uparrow\downarrow$	Not used [2] 'CAL'
1000V	Range gain	+100	10.00000V	1000.000V		

[1] It is expected that many users will wish to calibrate Range gains at values other than the nominals shown. In these cases set the Calibration Source voltage and 4708 OUTPUT display to in-house standard values near nominal.

[2] For non-nominal gain calibration; use 'SET' key after entering value on the OUTPUT display before adjusting for null.

## 1.2.3 Current

The following routine:

### DC Current Calibration (100 $\mu$ A to 1A)

adjusts all DC Current Range Zeros and Range Gains against a Standardized DVM, using a set of calibrated current shunts. The routine sets an independent output zero level using the standard calibration load for the Range. The Range Zero calibration has not been separated from the Range Gain calibration, because of the need to change shunts between ranges.

The procedure assumes the following:

- The 4708 'ON+' and 'ON-' output zero levels are coincident, having been adjusted to a null detected across the Sense 'Hi' and 'Lo' terminals on the 10V Range (*refer 'Zero Alignment Check'*) and
- that the 4708 DC 1V and 100mV Full Range values have already been calibrated or verified.
- the DVM used has been correctly Standardized (*sic*)

## GENERAL PROCEDURE

### 1. STANDARDIZATION

First read 'Calibration Source Zero Offsets'. Note that any offset in the source's output must be nullified before gain calibration is carried out.

The Zero and Full Range routines assume that the preferred shunt values (*refer to table*) are used and therefore the DVM has been standardized against the 1V and 100mV Ranges of the 4708.

Preferred Shunt Values

4708 Range	Nominal Shunt value	Minimum Wattage	Nominal DVM Reading
100 $\mu$ A	10k $\Omega$	1mW	1V
1mA	1k $\Omega$	10mW	1V
10mA	100 $\Omega$	100mW	1V
100mA	10 $\Omega$	1W	1V
1A	0.1 $\Omega$	1W	100mV

## 2. CONNECTIONS

Ensure that the 4708 OUTPUT OFF LED is lit and select DCI function. Connect the calibrated current shunt and DVM across the 4708 Hi and Lo terminals as shown. Use short leads and ensure that the DVM is set to the 1V Range.

## 3. CALIBRATION ROUTINE

### Caution

The combined Zero and Full Range procedure assumes that the DVM used has been standardized on the required voltage ranges.

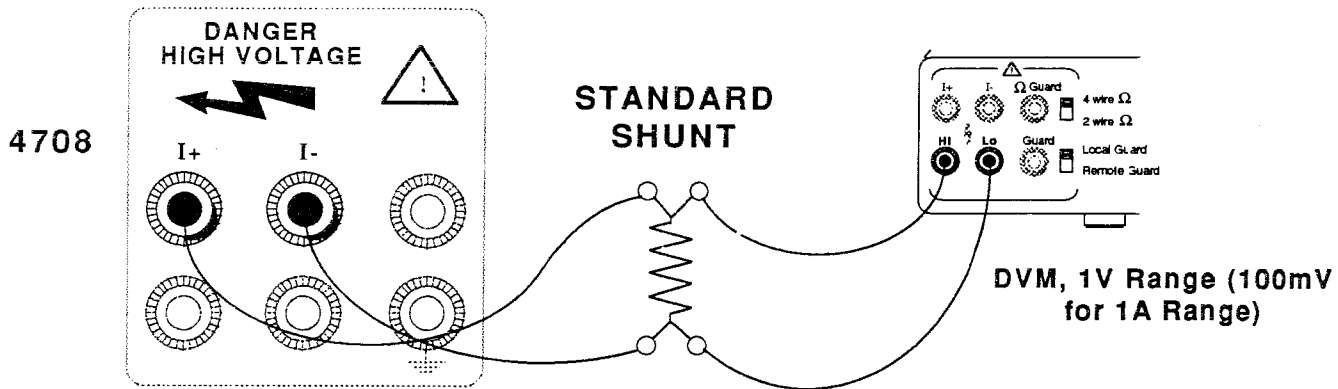
### EXPLANATORY NOTE

The offset voltage developed across the shunt is measured by the DVM. However as the shunt is unlikely to be exactly a nominal value, the voltage measured across the shunt for a Nominal Full Range current must be calculated from the product of the shunts Actual Value and the Nominal Full Range Current. The 4708 OUTPUT  $\uparrow\downarrow$  keys are adjusted to give this reading and the 'CAL' key is pressed.

Use the routine and accompanying table, start with the 100 $\mu$ A Range and repeat the procedure for each 4708 Range. Ensure that the interconnecting circuit has thermally stabilised before carrying out each 'Autocal' operation.



DC CURRENT (100µA to 1A)



**Zero Calibration:**

1. **4708**  
Ensure OUTPUT OFF  
Select RANGE as detailed in the table below.
2. **DVM**  
Press 'Input Zero' key.
3. **4708**  
Ensure 'Zero' OUTPUT is selected.  
Select OUTPUT 'ON+'.  
Increment the OUTPUT value until the DVM reads zero.  
Continue until a single increment of the least-significant digit on the OUTPUT display gives the closest approach to zero.  
Press CAL. CAL LED flashes once.  
OUTPUT display reverts to zero.

**Range Gain Calibration:**

4. **4708**  
Select Full Range.  
Increment the OUTPUT value until the DVM reads the product of the Shunt value and the Nominal Full range output.  
Press CAL. The Range has now been gain-calibrated at this current.  
Select Zero and OUTPUT OFF. Select next range and shunt value.  
Repeat the routine from Step 1.

4708 Range	Calibration Operation	4708 OUTPUT	To correct DVM reading:	4708 Autocal
100µA	DVM Zero Range Zero Range Gain	OFF ON+ FULL RANGE	DVM 'Input Zero' 4708 OUTPUT ↑↓ keys 4708 OUTPUT ↑↓ keys	-Not Used- 'CAL' 'CAL'
1mA	DVM Zero Range Zero Range Gain	OFF ON+ FULL RANGE	DVM 'Input Zero' 4708 OUTPUT ↑↓ keys 4708 OUTPUT ↑↓ keys	-Not Used- 'CAL' 'CAL'
10mA	DVM Zero Range Zero Range Gain	OFF ON+ FULL RANGE	DVM 'Input Zero' 4708 OUTPUT ↑↓ keys 4708 OUTPUT ↑↓ keys	-Not Used- 'CAL' 'CAL'
100mA	DVM Zero Range Zero Range Gain	OFF ON+ FULL RANGE	DVM 'Input Zero' 4708 OUTPUT ↑↓ keys 4708 OUTPUT ↑↓ keys	-Not Used- 'CAL' 'CAL'
*1A	DVM Zero Range Zero Range Gain	OFF ON+ FULL RANGE	DVM 'Input Zero' 4708 OUTPUT ↑↓ keys 4708 OUTPUT ↑↓ keys	-Not Used- 'CAL' 'CAL'

\*DVM on 100mV Range for 1A.

## 1.3 AC CALIBRATION

The following routines:

- AC Voltage Calibration (1Volt to 1000Volts)
- 2-Wire HF Compensation (1Volt & 10Volt)
- Millivolts LF (1mVolt to 100mVolts)
- Millivolts HF (1mVolt to 100mVolts)
- AC Current Calibration (1mA to 1A)
- AC Current Calibration (100 $\mu$ A to 1A)

adjust the Gain of all AC Voltage and Current Ranges.

### 1.3.1 Introduction

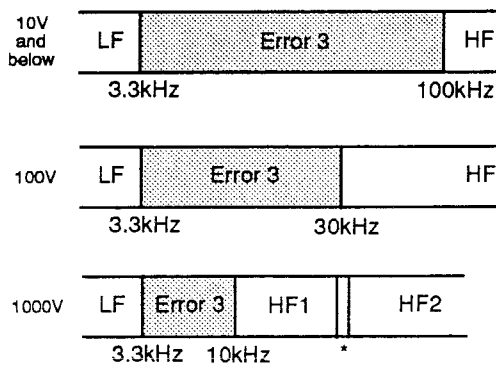
#### 'Wideband' Calibration

When CAL is pressed without preselecting SET, or STD; the instrument makes the assumption that each OUTPUT Range is to be calibrated at the exact Full Range value, at either LF or HF, or both.

This allows two correction values to be stored for each output range. From their difference, the microprocessor calculates a compensation factor, which affects the corrections applied at all subsequently-selected frequencies on that output range. In this way, the instrument can be calibrated to meet its 'Wideband' specification.

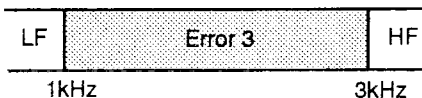
To ensure that the selected Low and High frequencies have sufficient separation for the compensation to be effective over the full frequency range, calibration is automatically prohibited in an 'excluded' band of frequencies for each output range. Because of the extended frequency range of lower Voltage ranges, and the Voltage/Frequency constraints on higher Voltage ranges, the exclusion band can differ from one output range to another. If an excluded frequency is selected, the calibration is cancelled and **Error 3** is displayed. The following diagram illustrates the mid-frequency exclusions:

#### Voltage Ranges:



\* HF1/HF2 cross-overs are Frequency-Range dependent:  
 HF1 is available up to 33kHz on the 10kHz Range.  
 HF2 is only available above 30kHz on the 100kHz Range.  
 (Note for 700V HF2 SET mode must be used)

#### All Current Ranges:



#### 'Spot' Calibration

Spot Calibration is not required for operation of the AC functions - it is merely a method of achieving the highest possible levels of accuracy. For each output range, a user may select five frequencies for SPOT calibration. The 4708 stores frequencies and their amplitude corrections, in memories that are separate to those used for wideband corrections. Enhanced accuracy is obtained at these spots, as any flatness errors in the wideband calibration are eliminated.

## AC AUTOCAL FACILITIES

#### SET

The SET key allows calibration to any value between 20% and 200% of nominal Full Range value (20% to 110% on 1000V range). If, for instance, an adjustable DC voltage standard is not available, the SET key permits the 4708 to be calibrated against a Thermal Transfer standard whose reference is a buffered bank of Standard Cells. SET can also be used as a means of compensating for known errors in the Measurement System.

Press SET after selecting the Full Range OUTPUT value. The SET LED lights green and the OUTPUT display reading also appears on the MODE display. Continue the routine but note that on pressing CAL the MODE display clears as its value is transferred to the OUTPUT display. The SET LED goes off.

#### STD

##### CAUTION

This calibration affects all Voltage and Current Ranges and is NOT recommended - Use DC standardization procedure for highest accuracy.

The STD facility is restricted to the 1V and 10V Ranges, on the 100Hz and 1kHz Frequency Ranges only. STD calibration differs from SET procedure only in the use of the STD key instead of the SET key.

#### $\pm 0$ / Spot

When SPOT is pressed in either ACV or ACI functions, the 4708 assumes that the spot frequency is to be changed, and so the frequency defaults to 1kHz. The Frequency  $\uparrow\downarrow$  keys are then used to program the required frequency. When used with SET, spot calibration can be carried out within 10% of the full range output, but when spot calibration is attempted without the use of SET, the 4708 assumes that the calibration is performed at full range.

## AC CALIBRATION SEQUENCE

### INTRODUCTION

Because most users will calibrate the 4708 AC ranges via thermal transfer standards, the calibration procedures assume that this method will be employed. However, details of setting up a thermal transfer standard are not included, as several different models are in use, each with its own methods of connection and procedures.

Instead it is assumed that users will be able to operate their own equipment correctly, according to the manufacturer's instructions. The procedures which follow therefore concentrate on the operation of the 4708 during calibration, accepting that the required thermal transfer will be set up to a DC source of suitable accuracy.

### AC PROCEDURES

#### AC Voltage Calibration (1V to 1000V)

Select AC and the desired frequency, set the 4708 OUTPUT display to the Calibration Standard value, and switch the 4708 OUTPUT ON. If calibrating a non-nominal voltage value, SET needs to be selected. Adjust the 4708 output to obtain a null at the Calibration Standard value, and press the CAL key to execute the calibration.

#### LF Millivolts Calibration

Because 'Flatness' data is passed on to the millivolt ranges from the 1V Range calibration, the 1V range must be calibrated first. A DVM is then standardized at the required millivolt value and frequency, using the calibrated 1V Range and an Inductive Voltage Divider (IVD). The desired frequency is selected, the OUTPUT display set to Full Range, and incremented or decremented to give the required value on the DVM. If calibrating at a non-nominal value SET must be selected. The CAL key is pressed to execute the calibration.

#### HF Millivolt Calibration

From the 10V Range a 10% Range correction is calculated. This is applied at 100mV on the 1V Range to standardize a DVM, which is subsequently used to calibrate the 100mV Full Range. The process is extended to calibrate the 10mV Range from 10% of the 100mV Range, and 1mV Range from 10% of the 10mV Range.

#### Current calibration

(Using Thermal Transfer, Current Shunts and DC Current Standard)  
The method employs a DC Current Standard, so that the shunt remains connected for both AC and DC nulling of the Thermal Transfer Standard.

#### Alternative Current Calibration

(Using verified 4708 1V Range, Calibrated Standard AC Shunts and AC DVM)

This method required Standard Current Shunts which have been designed to give a flat frequency response. Each current range requires its own specific value of shunt, calibrated to develop either 1V or 100mV Full Range at LF and HF. An AC DVM is standardized to the appropriate voltage, and the Current range is calibrated when the voltage across its shunt is correct.

#### High Frequency Calibrations

Several iterations may be required to achieve satisfactory calibration; particularly if the initial errors are large, or if the Transfer System being used imposes a long calibration time.

#### CAUTION:

Connection or disconnection of measurement circuitry should only be attempted when all voltage sources are OUTPUT OFF. Before setting OUTPUT ON ensure the correct polarities have been selected and that any measurement device has been set to low sensitivity.

#### SPOT Memory Erasure

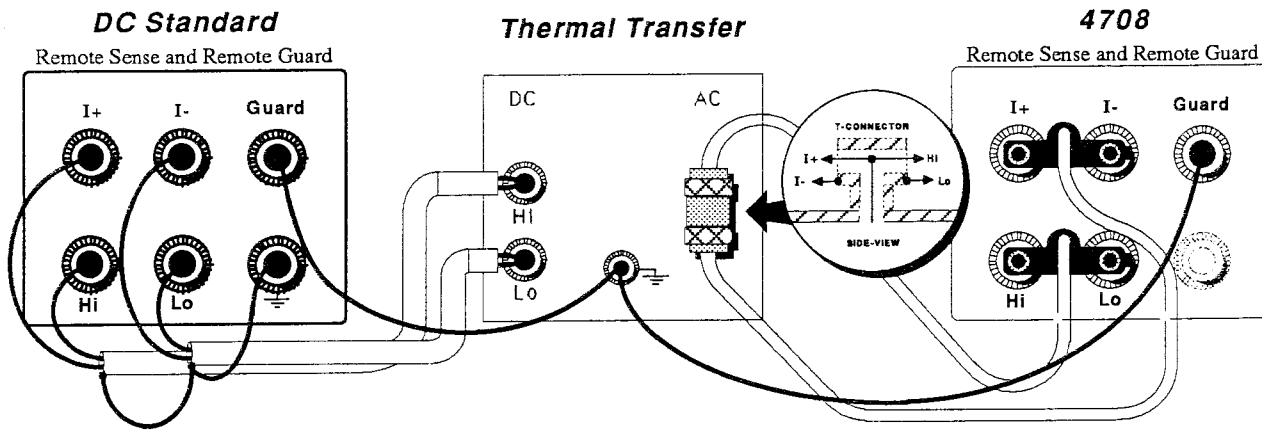
To prevent unwanted calibrations at obsolete spot frequencies, it is possible to 'uncalibrate' any spot frequency on any range. The procedure is:

- 1 Select SPOT
- 2 Select zero output
- 3 Set Output ON
- 4 Press Cal


Any subsequent selection of SPOT will cause the message 'SFX ---' to be displayed.

## 1.3.2 Voltage

### AC VOLTAGE CALIBRATION (1V to 1000V)



#### WARNING:

Terminals marked with the  symbol carry the output of the 4708. These terminals and any other connections to the load under test could carry lethal voltages. Under no circumstances should users touch any of the front (or rear) panel terminals unless they are first satisfied that no dangerous voltage is present.

**Note:** For the arrangement shown in the diagram, the coaxial T-connector provides true 4-wire connection to the AC coaxial input of the Thermal Transfer.

For Thermal Transfers with other AC terminations, it is important that true 4-wire connections are made directly to the AC input terminals, and that the device has been calibrated at the connection points.

Ensure case of Thermal Transfer Standard is adequately grounded.

Commencing with the 1V Range, calibrate the 4708 at the calibration points in the table as part of the following procedure:

**1. 4708 & DC Voltage Standard**

With OUTPUT OFF, connect to the Thermal Transfer AC and DC inputs, respectively.

**2. 4708**

- a. On A C FUNCTION, select the required OUTPUT RANGE.
- b. Select the required FREQUENCY RANGE.
- c. Use FREQUENCY  $\uparrow\downarrow$  keys to display the required Calibration Frequency.
- d. Press the Full Range key to display the required Calibration Voltage.
- e. Set 4708 OUTPUT ON.

**3. DC Voltage Calibration Standard**

Set to the Calibration Voltage, OUTPUT ON.

**4. Thermal Transfer Standard**

- a. Configure for DC measurement at the required Calibration Voltage.
- b. Adjust for Null at the Calibration Voltage.
- c. Configure for AC measurement at the Calibration Voltage.

**5. 4708**

- a. Use the OUTPUT  $\uparrow\downarrow$  keys to adjust the OUTPUT Display reading to obtain a null on the Thermal Transfer.
- b. Execute the calibration by pressing the CAL key. Repeat (a.) to (b.) until satisfactory null is achieved.

Calibration Points for 1V to 1000V Ranges.

DC Standard OUTPUT Voltage	4708 OUTPUT RANGE/ FREQUENCY		4708 Nominal OUTPUT Voltage	Freq. Band set by 4708
1.000000V	1V	1kHz	1.000000V	LF
* 1.000000V	1V	1MHz	1.000000V	HF
10.00000V	10V	1kHz	10.00000V	LF
* 10.00000V	10V	1MHz	10.00000V	HF
100.0000V	100V	1kHz	100.0000V	LF
100.0000V	100V	100kHz	100.0000V	HF
1000.000V	1000V	1kHz	1000.000V	LF
1000.000V	1000V	30kHz	1000.000V	HF1
**700.000V	1000V	100kHz	700.000V	HF2

\* Note that at these points a 2-wire calibration is also possible.

\*\* Note that SET must be used for this calibration point.

## 2-WIRE HF COMPENSATION (1V & 10V) (Using AC DVM)

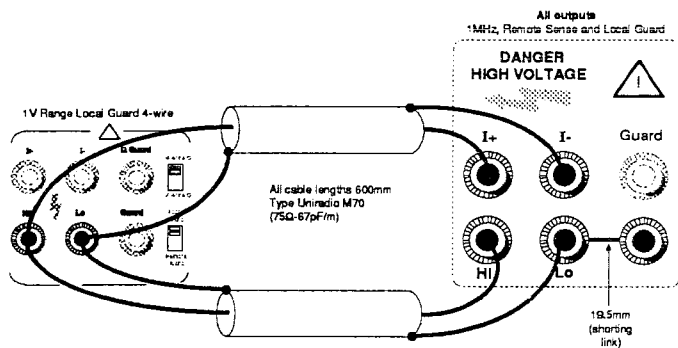


Fig. 1 AC DVM Standardization

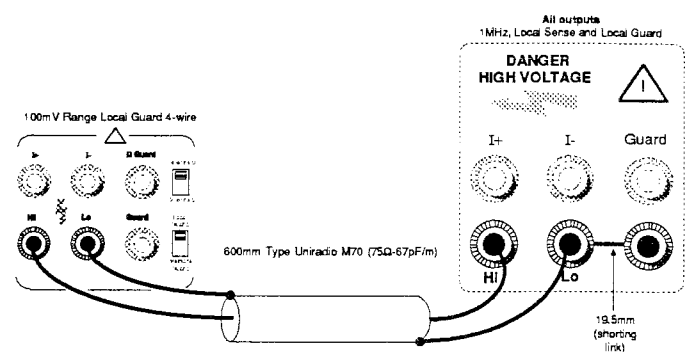


Fig. 2 4708 Calibration

On the 1V and 10V ranges there are two HF calibration memories. One holds the correction value obtained during Remote Sense (4-wire) 'wideband' calibration; the other contains a 2-wire HF compensation value which is added to the wideband correction, when Remote Sense is not selected (local sense).

During a 4-wire HF calibration on the 1V or 10V range, the stored HF 2-wire compensation value is cleared to zero. Any 4-wire HF calibration to be performed must therefore be completed before the 2-wire compensation is executed.

Calibrate the 4708 at the calibration points in the table, commencing with the 1V Range as part of the following procedure:

### 1. 4708 & AC Voltmeter

With 4708 OUTPUT OFF, connect the AC DVM to the 4708 terminals using the exact 4-wire connections as in Fig. 1.

### 2. AC Voltmeter

Configure for AC measurement at 1V or 10V.

### 3. 4708

- On AC FUNCTION, select the required OUTPUT RANGE.
- Select the required FREQUENCY RANGE.
- Use FREQUENCY keys to display the required Calibration Frequency.
- Press the Full Range key to display the required Calibration Voltage.
- Set 4708 OUTPUT ON.

### 4. HF 2-wire Calibration Sequence

- Record the DVM reading.
- Set 4708 OUTPUT OFF.
- On the 4708 deselect Remote Sense.
- Connect the DVM to the 4708 Hi and Lo terminals for measurement of the 4708 2-wire output as shown in Fig. 2.
- Set 4708 OUTPUT ON.
- Use the 4708 OUTPUT keys to display the DVM reading recorded at (a.)
- Execute the calibration by pressing the CAL key.

Calibration Points for 2-wire HF Compensation.

DC Standard OUTPUT Voltage	4707 OUTPUT RANGE/ FREQUENCY	4707 Nominal OUTPUT Voltage	Freq. Band set by 4707
1.000000V	1V 1MHz	1.000000V	HF
10.00000V	10V 1MHz	10.00000V	HF

# MILLIVOLTS (LF) FULL RANGE CALIBRATION (1mV - 100mV)

(Using calibrated 4708 1V Range, Inductive Voltage Divider (IVD) and AC DVM)

4708

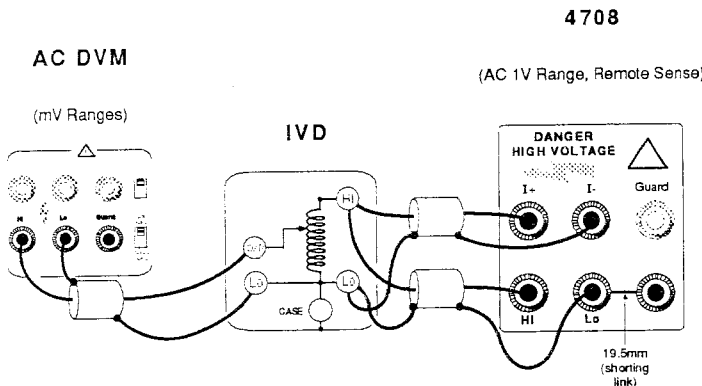


Fig. 1 Standardization of DVM

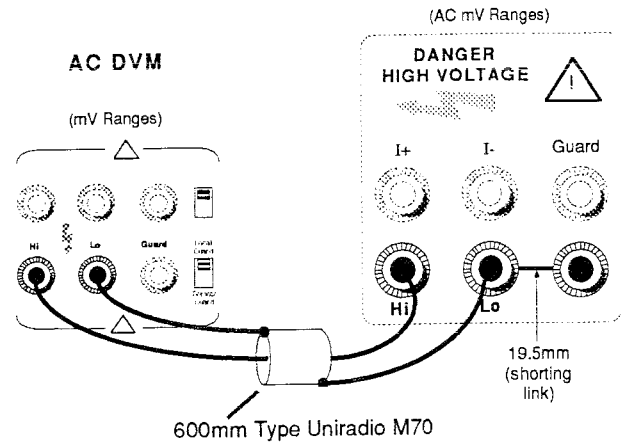


Fig. 2 Calibration of 4708

## CALIBRATION PROCEDURE

Standardize and calibrate at the calibration points in the table using the following procedures:

### Stage 1

Connect as Fig. 1, to standardize the DVM.

#### 1 4708, IVD and AC DVM

With OUTPUT OFF, connect the circuit for Standardization.

#### 2 IVD

Set ratio as required for the Millivolt Range to be calibrated.

#### 3 AC DVM

Configure for measurement at the required Calibration Point.

#### 4 4708

- On AC FUNCTION, select 1V RANGE.
- Select the required Frequency Range.
- Use FREQUENCY  $\updownarrow$  keys to display the required Calibration Frequency.
- Use OUTPUT  $\updownarrow$  keys to display the required IVD input voltage (if at Nominal Full Range, merely press the Full Range key).
- Set OUTPUT ON and note DVM reading as V1.
- Set OUTPUT OFF, and reconnect the circuit for Calibration.

### Stage 2

Connect as Fig. 2, to calibrate the 4708.

#### 1 4708

Selecting SET as required in the following procedure:

- Select the required Millivolt OUTPUT RANGE.
- Use OUTPUT  $\updownarrow$  keys to display the Calibration Voltage on the OUTPUT Display (if at Nominal Full Range, merely press the Full Range key).
- Set 4708 OUTPUT ON (and if NOT at Nominal Full Range, Select SET).
- Use the  $\updownarrow$  keys to adjust the OUTPUT Display reading to obtain V1 on the DVM.
- Execute the calibration by pressing the CAL key. Repeat (d.) to (e.) as required. Set OUTPUT OFF.

### Nominal Cal. Points for Millivolt Ranges.

IVD Ratio (1V Range to mV Range)	4708 OUTPUT RANGE/ FREQUENCY	4708 Nominal OUTPUT Voltage	Freq. Band set by 4708
10 : 1	100mV 1kHz	100.0000mV	LF
100 : 1	10mV 1kHz	10.0000mV	LF
1000 : 1	1mV 1kHz	1.0000mV	LF

**MILLIVOLTS (HF) CALIBRATION PROCEDURE (1mV to 100mV)**  
 (Using verified 4708 1V and 10V Ranges, 10% Range Correction factor and AC DVM)

**SUMMARY**

The verified output values of 1V on the 1V Range; and 10V on the 10V Range are used to measure the 4708 linearity error at 1V on the 10V range. From the linearity measurement, a 10% of range Linearity and Scaling Factor 'C' is derived.

This factor is subsequently used to correct the 4708 output setting at 10% of range, to standardize a DVM for calibration of the next range down.

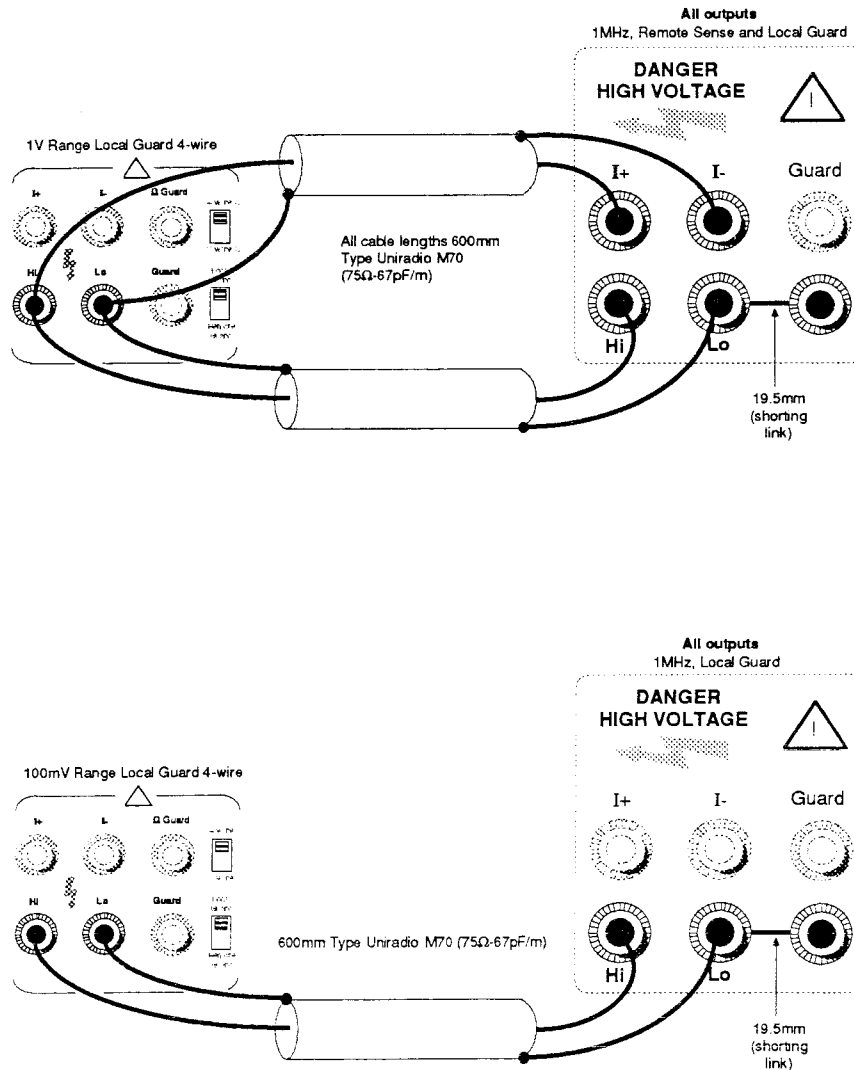
N.B. Calibrate the 4708 at or close to the calibration points in the table, selecting SET as required as part of the following procedure.

Note:

It is assumed that the 1V and 10V ranges have been Wideband calibrated at the required HF calibration points. It is also assumed that the Millivolts (LF) Calibration has been completed.

Nominal Cal. Points for HF Millivolt Ranges.

4708 OUTPUT RANGE/ FREQUENCY		4708 Nominal OUTPUT Voltage	Freq. Band set by 4708
100mV	1MHz	100.0000mV	HF
10mV	1MHz	10.0000V	HF
1mV	1MHz	1.0000mV	HF





**Stage 1**

**Derive the Linearity and Scaling Factor 'C' as follows**  
(C is a number of value close to 0.1):

- a. Ensure that the Millivolts (LF) Calibration has been completed.

Ensure that the 4708 has been calibrated and verified at 10V and 1V HF (1MHz) Full Range.  
Record the measured values as follows:

4708 10V FR setting - 10.000,00V  
Actual output voltage - 'V1'

4708 1V FR setting - 1.000,000V  
Actual output voltage - 'V2'

- b. Calculate 1V correction 'V3' =  $\frac{1}{V2}$

- c. With OUTPUT OFF connect a DVM to the 4708 terminals using the exact 4-wire connections as in Fig. 1.  
Set the DVM to measure AC on its 1V range.

- d. On 4708, select the 1V range and Remote Sense.  
Set FREQUENCY to 1MHz.  
Set OUTPUT display reading to V3.  
Set OUTPUT ON, and note the DVM reading as 'Vt'.  
Set OUTPUT OFF.

- e. On 4708, select the 10V range (Remote Sense).  
Set 4708 OUTPUT display reading to 1V.  
Set OUTPUT ON.  
Adjust the OUTPUT display for a DVM reading of Vt.

- f. Note the 4708 OUTPUT display reading as 'V4'.  
Set OUTPUT OFF.

- g. From the values V1 and V4 calculate the 10V range linearity correction and scaling factor 'C' as follows:

$$C = \frac{V1 \times V4}{100}$$

Note:

The optimum resolutions quoted above the boxes in this column may not be achievable with the DVM in use. In these cases it is permissible to reduce the resolution by a maximum of 1 digit only.

Record in 6<sup>1/2</sup> digits resolution

V1 = .....V
V2 = .....V
V3 = .....V

Vt is a transfer value

Vt = .....V
-------------

Record in 6<sup>1/2</sup> digits resolution

V4 = .....V
-------------

Calculate in 6<sup>1/2</sup> digits resolution

C = .....
-----------

N.B. The following calibration from the front panel can only be carried out if the IEEE Address switch on the rear panel is set to Address 31 (11111).

## Stage 2

### To Calibrate the 100mV Range Full Range Output

- a. Insert the Calibration security key into the 'CALIBRATION ENABLE' switch on the rear panel, and turn to 'ENABLE'.
- b. Ensure that the DVM is still connected to the 4708 terminals as shown in Fig. 1.
- c. Set the 4708 to the 1V range.  
Calculate the value 'V3 x C'.  
Set OUTPUT display to this value.
- d. Set the DVM to measure 100mV.
- e. Set 4708 OUTPUT ON, allow the output to settle.  
Note the DVM reading as 'V(100t)'.
- f. Set 4708 OUTPUT OFF and reconnect the DVM to the 4708 terminals in 2-wire as shown in Fig. 2.
- g. Set 4708 to its 100mV range.  
(Remote Sense is automatically deselected.)  
Set OUTPUT ON and adjust the 4708 Output for a DVM reading of V(100t).  
Press the 'CAL' pushbutton and observe the DVM reading.
- h. Repeat operation (g.) until the post-CAL DVM reading is within 1µV of V(100t).

Calculate in 6<sup>1/2</sup> digits resolution

$$V3 \times C = \dots\dots\dots V$$

V(100t) is a transfer value

$$V(100t) = \dots\dots\dots mV$$

## Stage 3

### To Calibrate the 10mV Range Full Range Output

- a. Ensure that the DVM is still connected to the 4708 terminals as shown in Fig. 2.
- b. Ensure that the 4708 is set to the 100mV range.  
Calculate the value '100mV x C'.  
Set OUTPUT display to this value.
- c. Set the DVM to measure 10mV.
- d. Allow the output to settle.  
Note the DVM reading as 'V(10t)'.
- e. Set 4708 to its 10mV range.
- f. Adjust the 4708 Output for a DVM reading of V(10t).  
Press the 'Cal' pushbutton and observe the DVM reading.
- g. Repeat operation (f.) until the post-CAL DVM reading is within 1µV of V(10t).

Calculate in 6<sup>1/2</sup> digits resolution

$$100mV \times C = \dots\dots\dots mV$$

V(10t) is a transfer value

$$V(10t) = \dots\dots\dots mV$$

#### Stage 4

##### To calibrate the 1mV Range Full Range Output

- a. Ensure that the DVM is still connected to the 4708 terminals as shown in Fig. 2.
- b. Ensure that the 4708 is set to the 10mV range.  
Calculate the value '10mV x C'.  
Set OUTPUT display to this value.
- c. Set the DVM to measure 1mV.
- d. Allow the output to settle.  
Note the DVM reading as 'V(lt)'.
- e. Set 4708 to its 1mV range.
- f. Adjust the 4708 Output to give a settled DVM reading of V(lt).  
Press the 'CAL' pushbutton and observe the DVM reading.
- g. Repeat operation (f.) until the post-CAL DVM reading is within 1μV of V(lt).

Calculate in 5<sup>1/2</sup> digits resolution

$10\text{mV} \times C = \dots\dots\dots\text{mV}$
---

V(lt) is a transfer value

$V(\text{lt}) = \dots\dots\dots\text{mV}$
---

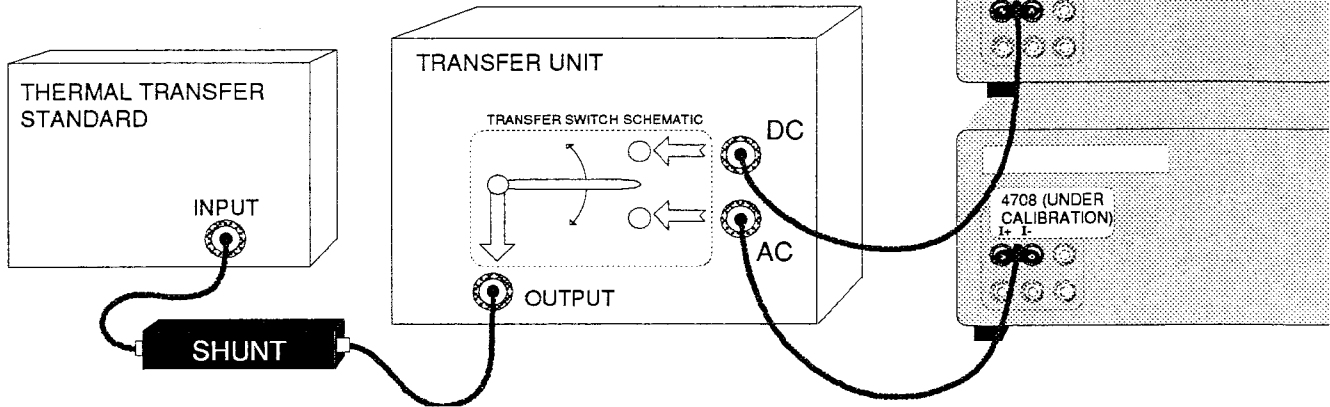
#### Stage 5

##### Calibration Disable

- a. Turn the Calibration security key, inserted in the 'CALIBRATION ENABLE' switch on the rear panel, to 'RUN'. Remove the key.

### 1.3.3 AC Current

#### AC CURRENT CALIBRATION (1mA - 1A) (Using Thermal Transfer, Current Shunts and DC Current Standard)



For all connections use low loss co-axial cable and keep leads as short as possible. Some types of shunt can be directly fitted to the Thermal Transfer.

#### Note

Calibrate 1mA Range only if the Thermal Transfer is adequately calibrated at these levels.

#### Routine

Commencing with the lowest Range, calibrate the 4708 at the calibration points in the table as part of the following routine:

#### 1. Thermal Transfer Standard

Configure for DC measurement at the required developed voltage and connect with the appropriate shunt to the Transfer Unit.

#### 2. DC Current Standard

- a. With OUTPUT OFF, connect to the Transfer Unit and set to the required calibration current.
- b. Set OUTPUT ON.

#### 3. 4708

- a. With OUTPUT OFF, set to the required calibration Current and Frequency and connect to the Transfer Unit.
- b. Set OUTPUT ON.

#### 4. Transfer Unit

Switch for DC output.

#### 5. Thermal Transfer Standard

Adjust for null at the Calibration Current.  
Configure for AC measurement at reduced sensitivity.

#### 6. Transfer Unit

Switch for AC output.

#### 7. Thermal Transfer & 4708

Use the OUTPUT keys to adjust the OUTPUT Display reading to obtain a null on the Thermal Transfer increasing the Transfer sensitivity as required.

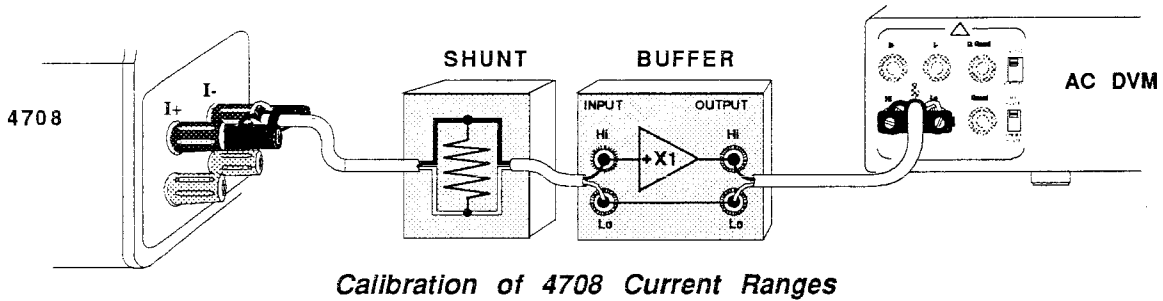
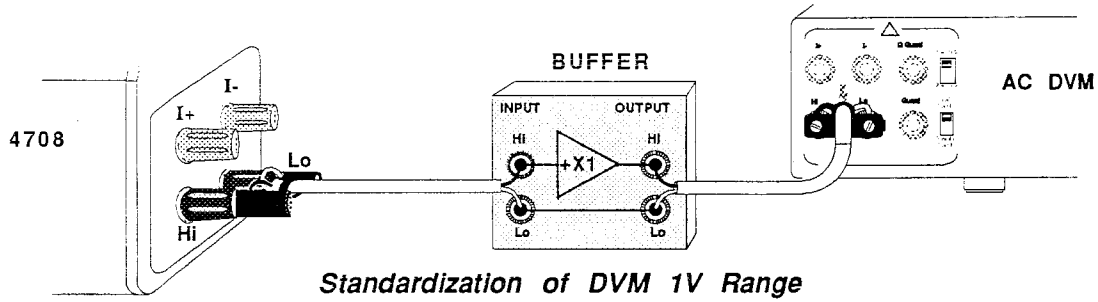
Execute the calibration by pressing the CAL key.

Nominal Cal. Points for 1mA to 1A Ranges.

DC Standard OUTPUT Current	4708 OUTPUT RANGE/ FREQUENCY	4708 Nominal OUTPUT Current	Freq. Band set by 4708
1.000000mA	1mA 300Hz	1.000000mA	LF
1.000000mA	1mA 5kHz	1.000000mA	HF
10.000000mA	10mA 300Hz	10.000000mA	LF
10.000000mA	10mA 5kHz	10.000000mA	HF
100.000000mA	100mA 300Hz	100.000000mA	LF
100.000000mA	100mA 5kHz	100.000000mA	HF
1.000000A	1A 300Hz	1.000000A	LF

## CURRENT FULL RANGE CALIBRATION (100µA - 1A)

(Alternative Method using verified 4708 1V Range, Calibrated Standard AC Shunts and AC DVM).



### 100µA to 1A procedure

Commencing with the 100µA Range, calibrate the 4708 at the calibration points in the table as part of the following procedure:

#### 1. 4708 and AC DVM

With OUTPUT OFF, connect the 4708 and DVM for Standardization. Select the 1V Range on the AC DVM.

#### 2. 4708

- a. Set to the 1V Range at the Calibration Frequency and adjust for calibrated 1.000000V output.
- b. Set OUTPUT ON and note the DVM reading as 'V1'.
- c. Set OUTPUT OFF, and reconnect the test circuit for Calibration, using the correct shunt for the range to be calibrated.
- d. On I FUNCTION, select the required OUTPUT RANGE.
- e. Select the required FREQUENCY RANGE .
- f. Use FREQUENCY keys to display the required Calibration Frequency.
- g. Press the Full Range key.
- h. Set 4708 OUTPUT ON.
- j. Use the OUTPUT keys to adjust the OUTPUT Display reading to obtain a DVM reading of 'V1'.
- k. Execute the calibration by pressing the CAL key. Set OUTPUT OFF.

Calibration points for 100µA to 1A Ranges.

4708 OUTPUT RANGE/ FREQUENCY	4708 Nominal OUTPUT Current	Freq. Band set by 4708
100µA 300Hz	100.0000µA	LF
100µA 5kHz	100.0000µA	HF
1mA 300Hz	1.000000mA	LF
1mA 5kHz	1.000000mA	HF
10mA 300Hz	10.00000mA	LF
10mA 5kHz	10.00000mA	HF
100mA 300Hz	100.0000mA	LF
100mA 5kHz	100.0000mA	HF
1A 300Hz	1.000000A	LF

## 1.4 RESISTANCE CALIBRATION

(Measurement and Storage of the values of an internal resistor.)

### Calibration Memory

In  $\Omega$  function, each RANGE key selects a nominal-value standard resistor. Adjustment of the resistor value is not routinely necessary unless *Error 6* occurs during calibration (*refer to Section 4.4*). During calibration the actual value is measured and stored in the calibration memory to be displayed whenever that range is selected. Separate memory stores exist for Remote Sense (4-wire), Local Sense (2-wire) and Local Sense zero. Zero calibration is not available in Remote Sense.

### 4-wire Calibration Limits

The value measured in 4-wire Remote Sense does not include the resistance of internal or external wiring because of the measurement techniques used.

The instrument accepts any value within  $\pm 200$ ppm of nominal as a valid calibration.

### 2-wire Calibration Limits

The value measured in 2-wire Local Sense is greater than for 4-wire Remote Sense, as it includes the resistance of internal wiring and relay contacts. The instrument will not accept any 2-wire value less than the stored value for 4-wire, so the 4-wire Remote Sense calibration must be carried out before attempting 2-wire Local Sense. The extra internal resistance depends on range, so the instrument accepts the following values  $x$  as valid 2-wire calibrations:

#### Zero calibration.

10 $\Omega$  to 1M $\Omega$  Ranges:  $0 \leq x < 0.9000\Omega$

#### Value calibrations.

10 $\Omega$  to 1M $\Omega$  Ranges: 4-wire value  $\leq x < (4\text{-wire value} + 1.999\Omega)$

*Error 6* appears on the MODE display for any attempt to enter a value outside the 4-wire or 2-wire limits.

#### Note:

When resistance is calibrated in Remote Sense, the instrument overwrites the Local Sense calibration memory with the new 4-wire value. For this reason 2-wire calibration should always be performed after 4-wire calibration.

### General Procedure.

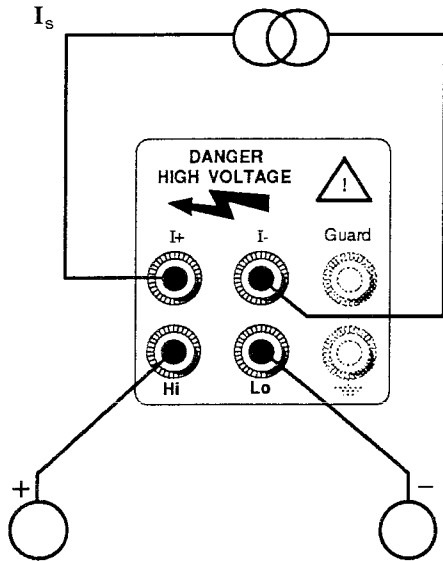
Prepare the 4708 for calibration. Connect as required and use the following calibration routines to calibrate the resistors in sequence, commencing with the 100M $\Omega$  Range.

#### Note

All measurements use 4-wire connections to exclude the effect of external lead resistance from the measured value.

## 4-WIRE RESISTANCE CALIBRATION

(Remote Sense selected)



### CALIBRATION SEQUENCE

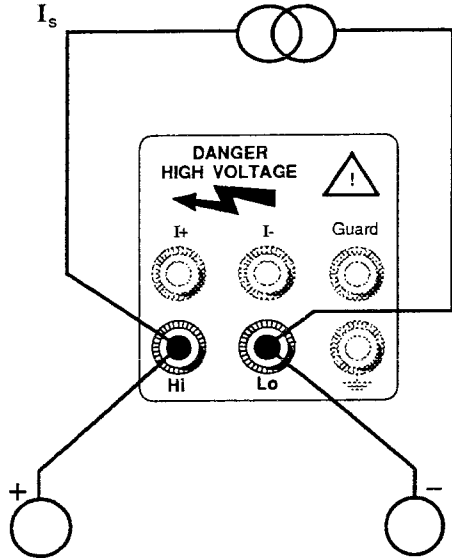
1. **4708**  
Select **OUTPUT OFF** and  $\Omega$ .  
Select **Remote Sense**.
2. **4708**  
Press required (**RANGE**) key; The previously-calibrated value appears on the **OUTPUT** display.
3. **4708 and resistance-measuring equipment**  
Press **OUTPUT ON+** and measure the value of the internal resistor.
4. **4708**  
Using the **OUTPUT**  $\uparrow\downarrow$  keys, set the measured value on the **OUTPUT** display.  
Press **CAL** Key to store **OUTPUT** display value.  
Set **OUTPUT OFF**.
5. Repeat operations (2) to (4) for each **RANGE**.

Nominal Calibration Points and Limits for 4-wire calibration.

Range	Measured Resistance	
	Minimum	Maximum
100M $\Omega$	99.9800 1 M $\Omega$	100.01999 M $\Omega$
10M $\Omega$	9.99800 1 M $\Omega$	10.001999 M $\Omega$
1M $\Omega$	.999800 1 M $\Omega$	1.0001999 M $\Omega$
100k $\Omega$	99.9800 1 k $\Omega$	100.01999 k $\Omega$
10k $\Omega$	9.99800 1 k $\Omega$	10.001999 k $\Omega$
1k $\Omega$	.999800 1 k $\Omega$	1.0001999 k $\Omega$
100 $\Omega$	99.9800 1 $\Omega$	100.01999 $\Omega$
10 $\Omega$	9.99800 1 $\Omega$	10.001999 $\Omega$

## 2-WIRE RESISTANCE CALIBRATION

(Remote Sense OFF. Note: 2-wire calibration should always be performed after 4-wire calibration.)



### CALIBRATION SEQUENCE

1. **4708**  
Select OUTPUT OFF and  $\Omega$ . **Deselect** Remote Sense.
2. **4708**  
Press required resistor (RANGE) key; The previously-calibrated value appears on the OUTPUT display.
3. **4708 and resistance-measuring equipment**  
Press OUTPUT ON+ and measure the value of the internal resistance.
4. **4708**  
Using the OUTPUT  $\uparrow\downarrow$  keys set the **measured** value on the OUTPUT display.  
Press CAL Key to store OUTPUT display value
5. **4708**  
Press Zero Key and repeat operations (3) to (4) for this RANGE selection. Set OUTPUT OFF.
6. Repeat operations (2) to (5) for each RANGE value of the Table.

### Nominal Calibration Points and Zero Limits for 2-wire calibration.

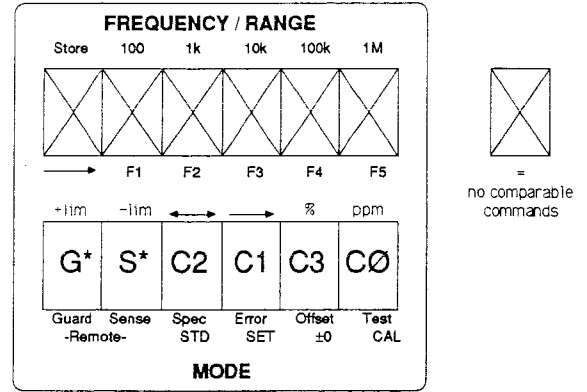
\* The Local Limit Span: Lower Limit = Remote Value; Upper Limit = Remote Value + 'U' (digits).

Range	*Local Limit Span 'U' (digits)	Measured Zero Limit	
1M $\Omega$	+19		
100k $\Omega$	+199		
10k $\Omega$	+199		
1k $\Omega$	+1999		
100 $\Omega$	+1999		
10 $\Omega$	+1999		



## 1.5 REMOTE CALIBRATION GUIDELINES

The operation of the instrument in systems applications via the IEEE 488 interface, is described in Section 5 of the User's Handbook. In addition to its capability as a programmable calibrator, the 4708 can itself be calibrated under remote control. Full autocalibration of the instrument over the bus implies availability of a suitably programmed controller, programmable standards, programmable Null Detector, and a programmable Thermal Transfer.



### Calibration Commands

The table below lists the device-dependant commands used for Routine Calibration. The relevant calibration codes are also listed.

These commands can only be activated when two conditions have been fulfilled:

- the CALIBRATION ENABLE Keyswitch on the instrument Rear Panel must be set to ENABLE, and
- the IEEE Interface command-code W1 must have been received and activated.

Additional commands can be activated when 'PRE-CAL ENABLE' switch is enabled. Refer to 1.6.3 Remote Pre-Calibration Guidelines.

### Transfer of calibration facilities

When the 4708 is under remote control over the bus, the command-code W0 overrides the settings of the CALIBRATION ENABLE and internal PRE-CALIBRATION ENABLE switches, disabling the 'C' codes.

### General Procedure

The Main Register is set to the Calibration Standard value (M\*\*\*...), the 4708 Output is switched ON (01), and one or a specified sequence of the calibration mode command codes (C1, C2, C3, I) may be transmitted.

The 'M' Code is adjusted to obtain a null at the Calibration Standard value, and C0 is transmitted to execute the calibration.

### Availability of Command Codes

Command Codes (Key caps)	Description	Functions and Facilities					
		DC Voltage	DC Current	AC Voltage	AC Current	2-Wire $\Omega$	4-Wire $\Omega$
C0	Range Zero	100mV-1000V Ranges	All Ranges			10 $\Omega$ -1M $\Omega$ Ranges	
	Gain calibration to Nominal Full Range	100mV-1000V Ranges	All Ranges	All Ranges	All Ranges	10 $\Omega$ -1M $\Omega$ Ranges	All Ranges
*C1 (SET)	Zero offset for range at User's selected value	All Ranges	All Ranges				
	Gain for range at User's selected value	All Ranges	All Ranges	All Ranges	All Ranges		
*C2 (STD)	Internal Reference gain at user's Standard value	1V & 10V Ranges		1V & 10V Ranges			
*C3 ( $\pm 0$ )	Alignment of internal ON+ and ON- zeros	10V Range					
I	User's Message	Refer to User's Handbook Section 5 'Programming of Bus Transmissions'					

\*Preselector - must be activated later by command code C0 (CAL)

## Command Code Facilities (Routine Calibration)

For a General description see 'Autocal Facilities' page 1-3.

### C1 (SET)

C1 gives calibration at any point in the selected range by allowing the user to input the value of the calibration standard used (initial M code used). Before executing the calibration CØ uses the final 'M' Code value to distinguish between Zero (Offset calibration) and Full Range (gain calibration). The limits of Offset or Full Range depend on function selected (refer Sect 1.2 DC Calibration and Sect 1.3 AC Calibration).

### C2 (STD)

C2 allows a user to compensate for changes of the internal Master Reference voltage. For best accuracy it is recommended this procedure is carried out in DC function. Note that the gain of all voltage and current ranges change in the same ratio. Execute with CØ

### CØ (execute pre-selection)

CØ executes one of the above preselected AUTO-CAL modes.

### CØ (CAL ONLY)

If Command CØ is sent without pre-selection code C1/C2 the instrument assumes that the selected range is to be calibrated at either Zero or Full Range. It uses the value input by the 'M' Code to distinguish between Zero (Offset calibration) and Full Range (gain calibration) according to the function selected (refer Sect 1.2 DC Calibration and Sect 1.3 AC Calibration).

## Guidelines - An Example

The following sequence suggests a method of calibrating the instrument 1V Range Gain against a buffered standard cell value of +1.018057V. It is assumed that the instrument is correctly addressed with its Calibration Keyswitch set to ENABLE and the instrument Output is OFF. Connect the Null Detector, set to low sensitivity, between the Standard Cell buffer and the 4708. The nulling operation is seperated into its own string, as it is likely to be iterative.

### SET Calibration of 1V DC Gain

FØR5GØSØW1M+1.018057C1Ø1=M(for null)CØ

The example suggests only the broad outline of one of many sequences which could be used to perform instrument calibrations.

## Calibration Command Strings

The following AC command strings are given for the sole purpose of illustrating the methodology designed into the 4708 for remote calibration modes. Some reference to external operations is inferred. The nulling operation is seperated into its own string, as it is likely to be iterative.

It is assumed that the 4708 has previously been programmed in function and range (not autorange RØ) and that the external circuit is set up correctly. The 4708 is already programmed into its calibration mode by W1, with the calibration keyswitch set to ENABLE, and output OFF.

- a. Nominal Full Range LF Gain Calibration:  
H(LF)A1Ø1=M(for null)=CØ=ØØ=
- b. Nominal Full Range HF Gain Calibration:  
H(HF)A1Ø1=M(for null)=CØ=ØØ=
- c. Combined Nominal LF and HF Gain Cal:  
H(LF)A1Ø1=M(for null)=CO=  
H(HF)=M(for null)=CO=ØØ=
- d. Non-nominal LF Gain Calibration:  
H(LF) M(20%-200%FR)C1=  
Ø1=M(for null)=CØ=ØØ=
- e. Non-nominal HF Gain Calibration:  
H(HF) M(20%-200%FR)C1=  
Ø1=M(for null)=CO=ØØ=
- f. Combined Non-nominal LF and HF Gain Cal:  
H(LF)M(20%-200%FR)C1=  
Ø1=M(for null)=CØ=  
H(HF)M(20%-200%FR)C1=  
M(for null)=CØ=ØØ=
- g. Standardization at Nominal Full Range  
1V or 10V Range only):  
H(LF)A1C2Ø1=M(for null)=CØ=ØØ=
- h. Standardization at a Non-nominal value  
(1V or 10V range only):  
H(LF)M(20%-200%FR)C2=  
Ø1=M(for null)=CØ=ØØ=

## 1.6 PRE-CALIBRATION

### 1.6.1 Introduction

In an initial calibration process at manufacture, certain 'PRE-CAL' parameters are established in a special calibration memory to define the overall linearity of the instrument, and to allow maximum routine calibration memory span for adjustments. For normal purposes, these factory defined pre-calibration parameters are valid for the life of the instrument, and subsequent Routine Calibration procedures are sufficient to maintain calibration.

Preparation for the pre-calibration operation includes removal of the Top Cover, to facilitate selection of pre-calibration mode and operation of the calibration memory clear push-button. DC and AC pre-calibration must then be completed followed by a Full Routine Recalibration. Thereafter all routine calibrations may be performed from the front panel or over the IEEE Interface without removing the covers.

#### Circumstances Calling for Pre-Calibration

The stored parameters are invalidated by replacement of certain critical parts of the instrument.

- The Lithium battery which powers the whole calibration memory when the instrument supply is switched off. This should be replaced at five-year intervals (*Refer to Section 4.3*).
- The Digital Assembly
- The Reference Divider Assembly
- Critical components in the Digital or Reference Divider, AC and Sine Source assemblies

A full list appears on flap of page 1-1. After replacement of any of these parts, new parameters must be stored in the pre-calibration memory, by procedures (in manual or remote control) detailed in this section.

### EQUIPMENT REQUIREMENTS

#### DC

- A precision divider capable of dividing 20,000,000V to 10,000,000V to a ratio error of better than 0.1ppm between tapings. For example a Datron 4902/S precision divider or alternatively a Datron 4903 DC Calibration Unit.
- A DC 10V reference with an accuracy of better than 2ppm. Example: Datron Instruments 4000A or a bank of standard cells.

#### AC

- A precision voltmeter capable of 1V AC measurement with a stability between readings of better than  $\pm 5$ ppm. Example: Datron Instruments 1281
- An inductive voltage divider with ratios of  $\times 1.0$  and  $\times 0.1$  capable of dividing 10,000,00V to 1,000,000V to an accuracy better than 2ppm.
- An AC/DC Thermal Transfer Standard. Example: Holt Model 6B

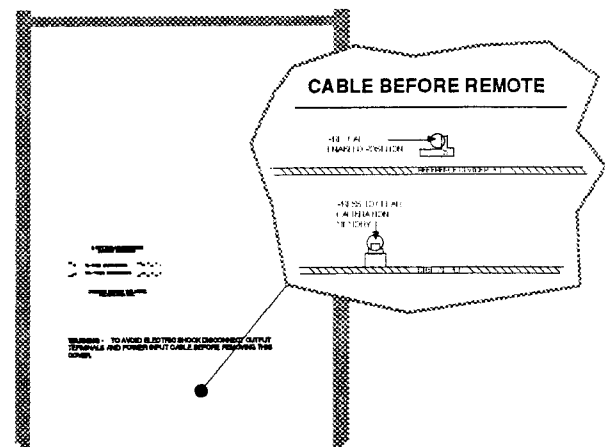
### PREPARING THE 4708

Before clearing the pre-calibration store, prepare the 4708 as described on flap of page 1-2. The adjustments detailed in the following sequences include intentionally clearing the instrument's pre-calibration memory, which loses **all** previous calibration information. Therefore before proceeding make certain that the reasons for carrying out a complete recalibration are valid. (If in any doubt, consult your Datron Service Centre)

#### Identification of Access Holes

These give access to the 'PRE-CAL ENABLE' switch and the 'CLEAR CALIBRATION MEMORY' switch.

- Release 6 screws retaining the top cover.
- Lift the top cover at the front of the instrument and locate the two holes which give access to the two-position 'PRE-CAL ENABLE' switch and the press-button 'CLEAR



- Locate the hole which gives access to the PRE-CAL ENABLE switch. Insert an insulated tool in the hole and move the pre-cal switch to the right (Enable). The legend 'cal', as presented on the MODE display, also appears on the OUTPUT display.

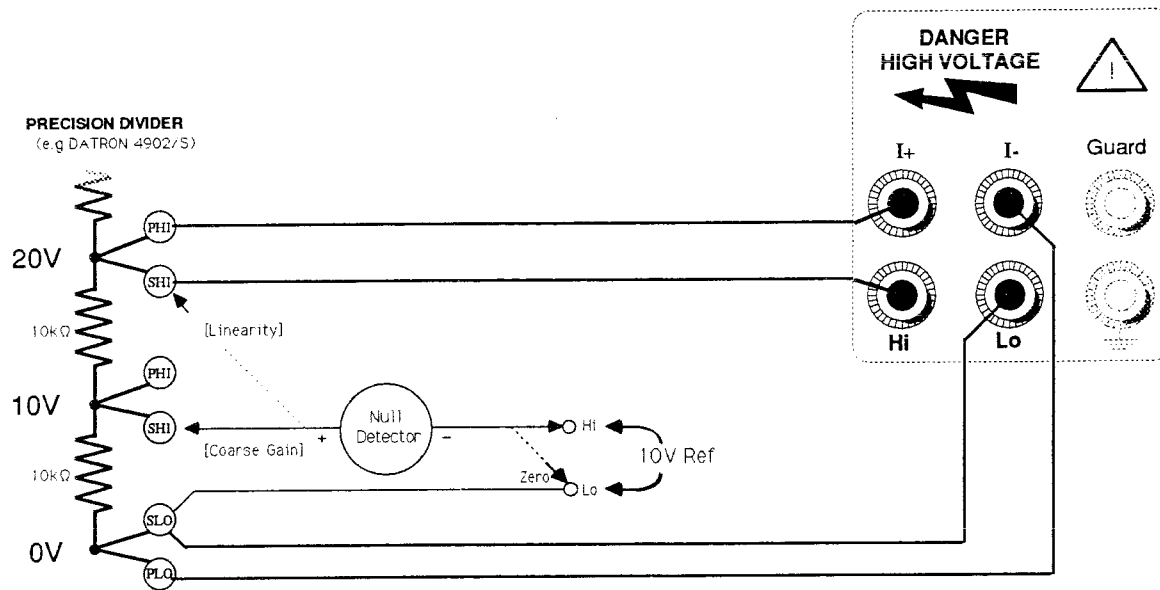
#### Caution

The following operation (d.) clears all the calibration memory stores as part of pre-calibration. Proceed only if this is required.

- Locate the hole which gives access to the Calibration Memory CLEAR push-button. Insert an insulated tool in the hole and press the button to clear the calibration memory.
- Refit the top cover but do not secure.

Complete the following pre-calibration procedure.

## 1.6.2 Procedure



First complete the  $\pm 0$  calibration procedure on page 1-7, but with precalibration mode selected.

Ensure the 4708 OUTPUT OFF LED is lit, cancel any MODE keys, select Remote Sense and deselect Remote Guard. Select DCV FUNCTION and 10V RANGE. Connect the Precision Divider to the instrument terminals as shown. Use short leads.

**a. 4708**

Ensure OUTPUT OFF and select the 10V RANGE.

**b. Precision Divider/Null Detector**

Set the Null Detector to Low sensitivity and connect to the Precision Divider at 10V tapping.

**c. 4708**

Connect to the precision divider as shown. Select +ON with zero OUTPUT

**d. Reference/Null Detector**

If the reference is a buffered bank of standard cells, switch the Buffer output to zero. However if an electronic reference is used connect Null Detector -ve lead to Reference Low.

Set Null Detector to high sensitivity. Zero Null Detector. Reduce Null Detector sensitivity.

Switch on or reconnect the 10V reference Hi to Null detector.

**e. 4708**

Select SET, its LED lights. Adjust the OUTPUT keys for Full Scale OUTPUT (+19.999999V).

Use instrument OUTPUT keys to adjust the Null Detector reading to zero.

Press CAL: the SET LED goes out.

**f. Precision Divider/Null Detector**

Increase Null Detector sensitivity. Reconfigure Null Detector Hi to divider 20V tapping.

**g. Reference/Null Detector**

If the reference is a buffered bank of standard cells, switch the Buffer output to zero. However if an electronic reference is used connect Null Detector -ve lead to Reference Low.

Set Null Detector to high sensitivity. Zero Null Detector. Reduce Null Detector sensitivity.

Switch on or reconnect the 10V reference Hi to Null detector.

**h. 4708**

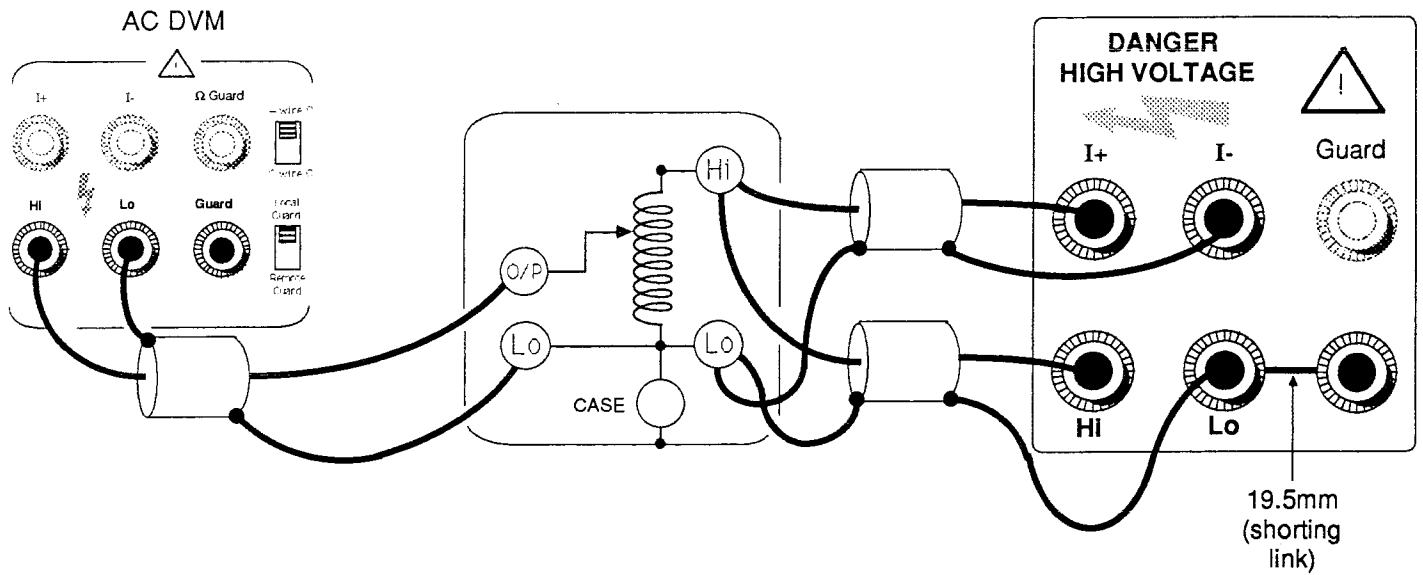
Select STD, its LED lights. Press +ON and Full Range OUTPUT (10.000000V).

**j. Null Detector**

Increase Null Detector sensitivity and use 4708 OUTPUT keys to adjust the reading to zero.

**k. 4708**

Press the CAL key: the STD LED goes OFF. Pre-cal is now completed. Select OUTPUT OFF and disconnect.



Ensure the 4708 OUTPUT OFF LED is lit, cancel any MODE keys, select Remote Sense and deselect Remote Guard. Select ACV FUNCTION and connect the IVD to the instrument terminals as shown. Use short leads. Select the 1kHz Frequency Range.

**a. IVD**

Select x1.0 ratio.

**b. 4708**

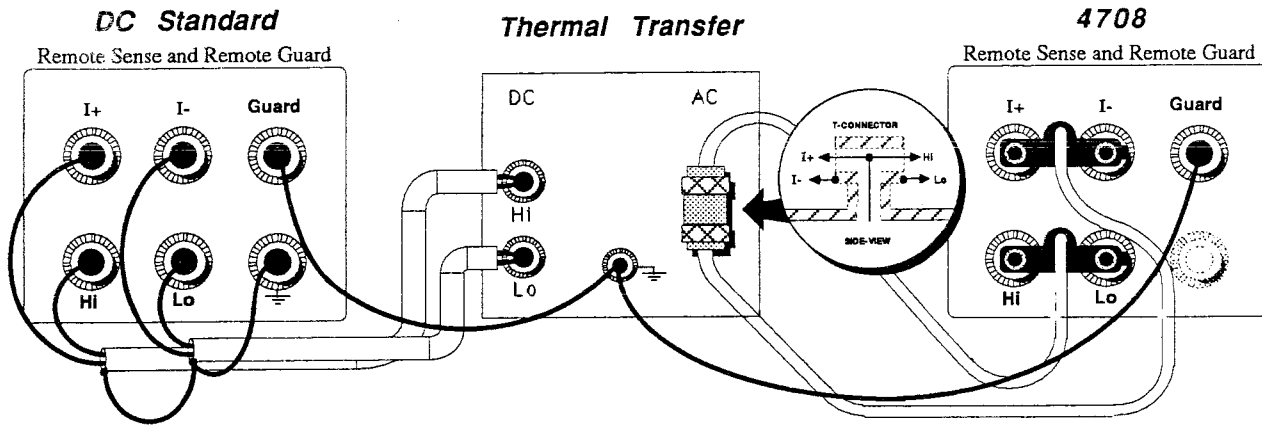
Select 10V range, at 1kHz on the 1kHz Frequency range. Select 1,000,00V. Press the  $\pm 0$  key, its LED lights. Use instrument OUTPUT keys to adjust the DVM reading to 1V. Press CAL: the  $\pm 0$  LED remains lit and 1,000,00V (nominal 10% Full Range) appears on the OUTPUT display.

**c. IVD**

Select the x0.1 ratio to divide the 4708 output by 10.

**d. 4708**

Select Full Range. Use instrument OUTPUT keys to adjust the DVM reading to 1V. Press the CAL key: the  $\pm 0$  LED goes OFF. Recheck, without pre-selection, at 1V and 10V. If required repeat the procedure. Select OUTPUT OFF and disconnect. Pre-cal is now completed. Disable pre-cal and complete a Full Routine Calibration.



- a. **4708 & DC Voltage Standard**  
With OUTPUT OFF, connect to the Thermal Transfer AC and DC inputs, respectively.
- b. **4708**  
On AC function, select the 10V range, select the 1MHz frequency range and use the FREQUENCY keys to display 1MHz. Use the OUTPUT keys to output 1V and set OUTPUT ON. Press the SPOT / ± key.
- c. **DC Voltage Standard**  
Set to 1V output and set OUTPUT ON.
- d. **Thermal Transfer Standard**  
Configure for DCV measurement at the 1V level and adjust for Null. Configure for ACV measurement at the 1V level.
- e. **4708**  
Use the OUTPUT keys to adjust the OUTPUT display reading to obtain a null on the Thermal Transfer Standard. Press the CAL key.
- f. **DC Voltage Standard**  
Set to 10V Output, select Output on.
- g. **Thermal Transfer Standard**  
Configure for DCV measurement at the 10V level and adjust for Null. Configure for ACV measurement at the 10V level.
- h. **4708**  
Press Full range key to display 10V and use the OUTPUT keys to obtain a null on the Thermal Transfer. Press the CAL key.

## PRE-CAL DISABLE

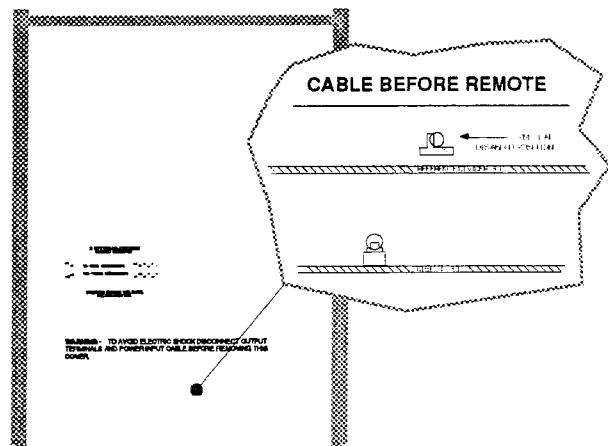
When pre-calibration is complete the pre-cal enable switch must be set to RUN.

### Caution

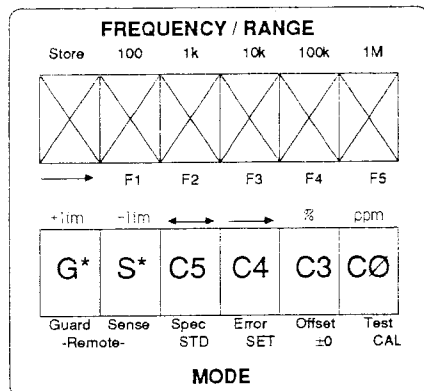
**DO NOT** press the internal push-button which clears the calibration memory. If this is done, any parameters stored in the calibration memory are cleared; so pre-calibration is cancelled, and must be repeated.

- a. Lift the top cover at the front.
- b. Locate the hole which gives access to the PRE-CAL ENABLE switch.
- c. Insert an insulated tool in the hole Pre-cal and move the switch to the left (RUN). The legend 'cal' remains on the MODE display, but disappears from the OUTPUT display.
- d. Refit and secure the top cover.

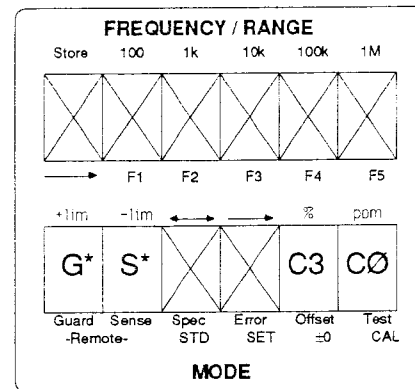
A Full Routine Calibration is necessary before completion of the Return to Use procedure on page of page 1-2.



### 1.6.3 REMOTE PRE-CALIBRATION GUIDELINES



*Transfer of DC precalibration facilities*



*Transfer of AC precalibration facilities*

### General Procedure

The transfer of Pre-calibration facilities to remote control is illustrated above. The general procedure follows that for remote Routine Calibration; the external circuit is connected as for manual pre-calibration.

These commands can only be activated when the following conditions have been fulfilled:

- The CALIBRATION ENABLE Keyswitch on the instrument Rear Panel must be set to ENABLE
- Ensure that the IEEE address switch is set correctly
- The IEEE Interface command-code W1 must have been received and activated.
- The internal 'PRE-CAL ENABLE' switch is set to ENABLE.

When the 4708 is under remote control over the bus, the command code W0 overrides the setting of the CALIBRATION ENABLE and internal PRE-CAL ENABLE switches, disabling the 'C' codes.

### Pre-Calibration Command Strings

The following command strings are given for the sole purpose of illustrating the methodology for the remote pre-calibration mode. Some reference to external operations is inferred. The nulling operation is separated into its own string, as it is likely to be iterative.

It is assumed that the external circuit is set up correctly. The 4708 has already been programmed into its calibration mode by W1, with the calibration keyswitch and the internal PRE-CAL ENABLE switch set to ENABLE.

The calibration memory stores have been cleared, and the 4708 Output is OFF.

The string sequence for DC pre-calibration is as follows:

- 1)  $\pm$ Zero
 

F0R6M+001C3=	(Set-up and $\pm 0$ preselection)
M***=	(Iterative nulling operation)
C0=M-0=	('CAL' and -ON)
M***=	(Iterative nulling operation)
C0=00=	('CAL' then OUTPUT OFF)

- 2) Coarse Gain and Linearity

- |                      |                                     |
|----------------------|-------------------------------------|
| F0R6C4M+19.99999901= | (Set-up and linearity preselection) |
| M***=                | (Iterative nulling operation)       |
| C0=00=               | ('CAL' then OUTPUT OFF)             |
| C5=M+10.00000001=    | (Set-up and linearity preselection) |
| M***=                | (Iterative nulling operation)       |
| C0=00=               | ('CAL' then OUTPUT OFF)             |

The string sequence for AC pre-calibration is as follows:

Full Range and 1/10th Range Linearity for first LF, and then for HF

- |                    |   |
|--------------------|---|
| F1R6H***C301=M***= | (Program to frequency and voltage)      |
| M***=              | (Iterative nulling operation)           |
| C0=M***=           | (First 'CAL' of two-part process)       |
| M***=              | (Iterative nulling operation)           |
| C0=00              | (Second 'CAL' cancels preselected mode) |

## 1.7 $\Omega$ OPTION INTERNAL ADJUSTMENT

The Autocal procedure for routine calibration of the 4708 resistance Function is described in Section 1.4.

The method of calibration is to measure the value of each standard resistor, and store the measured value in non-volatile calibration memory. Subsequently, each time a resistance RANGE is selected, the previously calibrated value is displayed.

If a standard resistor has been subjected to undue stress, its value may have moved outside its tolerance (signalled by an *Error 6* message during Routine Autocalibration). If the value is less than approx. 50ppm outside tolerance, it can be adjusted internally using a variable trimmer. For values out of tolerance in excess of 50ppm it is likely that the resistor has been over-stressed - consult your Datron Service Centre.

### Manual Trimming Procedure

The following procedure is a supplement to Routine Autocalibration. It is necessary only when the 4-wire calibration of Section 1.4 has resulted in an '*Error 6*' message.

It can also be used when, for operational reasons, it is necessary to adjust a resistor to its nominal value. For this purpose a continuously-reading method of measurement is convenient.

- a. Release eight screws retaining the top cover.
- b. Lift the top cover at the front of the instrument and locate the 8 holes giving access for ' $\Omega$  OPTION ADJUSTMENT'.
- c. Insert an insulated screw driver tool in the hole for the range selected, and adjust the preset resistor (rotating clockwise increases the resistance value).
- d. Re-measure the 4-wire value and repeat operation (c.) until the desired value is obtained.
- e. Re-calibrate the range for 4-wire and 2-wire connections as detailed in Section 1.4.
- f. Repeat the manual trimming procedure above for all ranges as required.
- g. Finally refit and secure the top cover using the eight screws removed in (a.), above.



## Appendix 1 - Notes on the Use of the Null Detector

The Null Detector is normally connected in series with the 4708 Hi lead. A high-impedance-input device should be chosen to reduce off-null currents due to differences in the outputs of the DC voltage source and the 4708. A battery-operated instrument is preferred to ensure adequate isolation. Some Null Detectors possess high input impedance only when their readings are on-scale, so care should be taken to ensure that drain currents from the DC Voltage source do not become excessive. This applies particularly if the DC source is a standard cell or a bank of cells. Six points are important:

1. The null detector should be connected to the 4708 (or 4708 load resistor) only when the 4708 OUTPUT OFF LED is lit. (with output OFF, the I+, I-, Hi and Lo terminals are at high impedance).
2. Always set the null detector to its lowest sensitivity before connecting up, and increase sensitivity only when the voltages output by the DC Voltage source and the 4708 are close in value.
3. Do not change polarity of the 4708 or DC Voltage source without first switching the 4708 OUTPUT OFF. Care must be taken to ensure that the correct polarity ON key is pressed, to avoid excessive voltages being connected across the null detector, particularly when checking the 4708 directly against a standard cell.
4. Most Null Detectors are equipped with a 'Self-zero' or 'Zero-check' facility. For maximum accuracy, the Null Detector range zero should be checked before each calibration nulling operation is performed. However, when gain-calibrating the 4708 Voltage and Current Ranges, the zero offset of the calibration voltage source is nullified by adjustment of the Null Detector zero control. This setting should not be altered until the corresponding Range gain has been calibrated.
5. **WARNING**  
During performance checks and calibration a common mode voltage equal to the full range voltage is present at the Null Detector input terminals. On 1000V checks this voltage is potentially lethal, so **EXTREME CAUTION** must be observed when making adjustments to the null detector sensitivity.
6. **CAUTION**  
The Null Detector used must be able to withstand voltages up to 1200V between its input terminals. Such voltages will be present during the time that the 4708 is ramping from zero to 1000V Full range after setting OUTPUT ON. Inadvertent disconnection of the Precision Divider terminals can transfer full output across the Null detector.



## Appendix 2 - Calibration Source Zero Offsets

It is common practice to accept a small offset in the output of a voltage calibration standard, providing that the same offset is present at all output values, including zero.

A more difficult situation arises if there is a 'DC turnover offset' between the source's positive and negative output values. In this case, a difference in DC value will be observed when switching the source between its positive and negative outputs with zero volts selected. This type of error is normally adjusted out on the 4708 by a preliminary ' $\pm 0$ ' calibration on the 10V Range, to a null detected across its output terminals. This sets both ON+ and ON- zeros to the same DC level; and as the same linear analog circuitry is used to generate both output polarities, range calibration of zero and gain in positive polarity is then all that is required.

The 4708 analog circuitry is fully floating, so its output may be referred to any common mode voltage within the range specified on page 6.1 of the User's Handbook. In particular, each Range zero may be aligned to absolute zero in Local Sense by calibration to a null across its Hi and Lo (Sense) terminals. But if it is then gain-calibrated against an offset source without re-zeroing to that source's offset zero, normal mode gain errors will result. It is therefore essential that any offset in the source's output be nullified before gain calibration is carried out. This can be done at Range zero, simply by trimming the Null Detector null.

Thus the notional sequence of calibration for the 4708 should be as follows:

- a.  $\pm 0$   
Check that the 10V Range 'ON+' and 'ON-' zeros coincide at absolute zero (Adjust if necessary).
- b. **Range Zeros**  
Carry out 'ON+' zero calibration on all Ranges against the same absolute zero.
- c. **Range Gain**  
Each Range Gain in turn. (Null Detector connections as shown for Voltage or Current)
  - i. At 'ON+' zero output from both source and 4708, trim the Null Detector for null.
  - ii. At the required positive DC level, calibrate the 4708 Range gain.

This sequence ensures that the 4708 'ON+' and 'ON-' zeros are both set to absolute zero, and that both positive and negative polarities are accurately gain-calibrated to a unipolar source. If it is required to check the 4708 'ON-' gain calibrations against a bipolar source, the source's 'ON-' zero offset must first be nullified, as described in c. i. above.



# SECTION 2

## FAULT DIAGNOSIS

---

**WARNING**  
**HAZARDOUS ELECTRICAL POTENTIALS ARE EXPOSED WHEN THE INSTRUMENT COVERS ARE REMOVED.**  
**ELECTRIC SHOCK CAN KILL**

---

**CAUTION**  
The instrument warranty can be invalidated if damage is caused by unauthorised repairs or modifications. Check the warranty detailed in the "Terms and Conditions of Sale". It appears on the invoice for your instrument.

---

### 2.1 INTRODUCTION

#### 2.1.1 Use of Diagnostic Guides

The diagnostic guides given in Section 2.2 are intended to aid the user in locating a failed printed circuit board or other assembly. The self-diagnostic capabilities of the instrument provide the first step in fault analysis by displaying a FAIL message on the mode display. Initial actions to be taken after the occurrence of a FAIL message are given, where applicable, in the diagnostic guides of Section 2.2. The FAIL message localizes the failure into a distinct functional area and the "Fault Condition" summary in each guide relates the function failure to a probable hardware boundary.

The identities of the assemblies involved in the failure are given beneath the fault condition summary, but it is unlikely that all assemblies listed will prove to be faulty. For successful failure analysis, it is advisable to be familiar with the electronic functioning of the instrument and with the physical location of the assemblies. To assist in these aspects, the diagnostic guides include references to relevant parts of this publication.

#### 2.1.2 Effects of Protective Measures on Diagnosis

##### 2.1.2.1 Protective Suppression of Fault Conditions

The 4708 incorporates built-in protection in hardware and software. To minimize damage, protective circuitry acts immediately, backed up by a pre-programmed CPU response to detected failure symptoms. If possible the CPU informs the user by presenting a failure message on the MODE display.

When investigating a failure, it should therefore be anticipated that protective measures will have suppressed the original fault conditions. A useful starting-point is to identify the origin of the failure message to localize the area of search.

##### 2.1.2.2 FAIL 5 as Default State

Faults which result in display messages FAIL 2, 3 or 4 can pose a safety hazard to the operator, and apply excessive voltage to external circuitry. To protect against this, the instrument is programmed to default to FAIL 5 state as rapidly as possible after its initial response to the failure symptoms. The CPU switches Output OFF and trips the safety monitor (Watchdog). If the conditions of the original failure message have been removed the display changes to FAIL 5.

In normal use, an operator will probably notice only FAIL 5, and miss the original failure message. In FAIL 5 state, front panel control is inhibited until Safety Reset is pressed. This returns the instrument to the state for which the original fault conditions and failure message were produced, but with Output OFF.

##### 2.1.2.3 To Observe the Original Failure Message

Two procedures can be used:

- a. Carry out the self-test routine of Section 2.3.  
The failure message may recur during this test.
- b. Reset the instrument to reproduce the fault, carefully watching the MODE display.  
The original failure message could reappear momentarily, prior to defaulting into FAIL 5.

Then select the appropriate diagnostic guide in Section 2.2.

#### 2.1.3 FAIL 6

FAIL 6 reports two types of NV RAM failure.

- a. Overall sumcheck failure.  
The values are calculated at Power on, Self-Test and recovery from FAIL). If the instruments stored calibration constants are outside maximum or minimum permissible values a Fail 6 message is displayed.
- b. Limits check of the calibration constants.  
Values are checked when read from the NV RAM at every OUTPUT change. When a Fail 6 occurs the output remains on and the stored gain or zero correction value is defaulted to x1 or x0 respectively.

## 2.2 DIAGNOSTIC GUIDES

---

### 2.2.1 FAIL 1 (Excessive Internal Temperature)

---

#### INITIAL ACTION

1. Wait approximately 1 minute until the CPU has defaulted the instrument to OUTPUT OFF. The CPU clears the FAIL 1 message and enables the keyboard.
2. Switch OUTPUT ON.
3. No failure display - no further action. FAIL 1 recurs - fault persists.

#### FAULT CONDITION

High temperature sensed in:

- Positive Heatsink Assembly, or
- Negative Heatsink Assembly.

Fault indication signal OVERTEMP active.

#### POSSIBLE FAULT LOCATIONS

- Positive Heatsink Assembly (*page 11.13-1*).
- Negative Heatsink Assembly (*page 11.13-2*).
- Power Amplifier Assembly (*page 11.9-1*).

#### FURTHER INFORMATION IN THIS HANDBOOK

Technical Descriptions: *Section 7.12.9*.

### 2.2.2 FAIL 2 (Over-Voltage)

---

#### INITIAL ACTION

1. Ensure that OUTPUT is OFF (4708 should have tripped to FAIL 5).
2. Power OFF any external voltage source.

#### N.B.

This failure can be caused by injection of an external voltage across the terminals OR the output of high voltage when not requested by the user.

DC - voltages in excess of 130V.

AC - voltages between the limits of 75V to 110V RMS.

2. Disconnect external leads from the terminals.
3. Press Safety Reset.
4. Carry out self-test sequence.
5. FAIL 2 recurs - fault persists.
6. No failure display - Reproduce original conditions in Local Sense with no external connections.
7. No failure display - check external circuit and proceed with careful use.
8. FAIL 2 recurs - fault persists.

#### FAULT CONDITION

1. Over voltage circuit on the DC Assembly has detected the excess voltage between PHi and PLo lines and has activated HV ST signal to the CPU, and
2. The CPU has recognized that the instrument is not in High Voltage State, so has generated FAIL 2 display, then
3. The CPU has switched Output OFF, tripped the watchdog and generated FAIL 5 display.

#### POSSIBLE FAULT LOCATIONS

- Injection of external voltage.
- D.C Assembly (*page 11.5-1*).
- Power Amplifier Assembly (*page 11.9-1*).

#### FURTHER INFORMATION IN THIS HANDBOOK

Self-test procedure: *Section 2.3*.

Technical descriptions: *Section 7.3.7*.

---

**2.2.3 FAIL 3** (Control Data Corrupted)

---

**INITIAL ACTION**

No immediate action required.

**FAULT CONDITION**

1. Control data corrupted.
2. CPU has detected errors in serial transfer of data between out-guard and in-guard circuits, and generated FAIL 3 display, then
3. The CPU has switched Output OFF, tripped the watchdog and generated FAIL 5 display.

**POSSIBLE FAULT LOCATIONS**

- Reference Divider Assembly (*page 11.4-1*).
- Analog Interface Assembly (*page 11.3-1*).

**FURTHER INFORMATION IN THIS HANDBOOK**

Technical descriptions: *Section 6.4*.

---

**2.2.4 FAIL 4** (Precision Divider Fault)

---

**INITIAL ACTION**

No immediate action required.

**FAULT CONDITION**

1. Precision divider fault.
2. CPU has detected errors in the most-significant data bits set in the precision divider input data latches, and generated FAIL 4 display, then
3. The CPU has switched Output OFF, tripped the watchdog and generated FAIL 5 display.

**POSSIBLE FAULT LOCATION**

- Analog Interface Assembly (*page 11.3-1*).

**FURTHER INFORMATION IN THIS HANDBOOK**

Technical description: *Section 6.5.2.3*.

---

## 2.2.5 **FAIL 5** (Safety Circuits 'Watchdog' Tripped)

---

### INITIAL ACTION

Use the checking sequence below, watching the MODE display carefully at each stage to detect any FAIL number appearing immediately before FAIL 5. If no failure message occurs, carry on to the next stage.

- Stage 1: Press Safety Reset.
- Stage 2: Carry out self-test sequence (Section 2.3).
- Stage 3: Set Output ON.
- Stage 4: Proceed with careful use.

If FAIL 2 occurs at stage 3, ensure that it is not due to injection of an excessive external voltage by disconnecting the instrument terminals and repeating the checks. If FAIL 5 alone occurs, proceed to "Fault Condition" below. For any FAIL other than FAIL 5, transfer to the diagnostic guide for that message.

### FAULT CONDITION

18mS monostable (M10 in reference divider) has been deprived of at least two trigger pulses and has timed out, activating "BARK" and "BARK DELAYED" (BARK +47mS) signals from M13 in the reference divider assembly.

Summary of "BARK" effects:

1. Removes the drive from the High Voltage (1kV) transformer.
2. Disables the 400V Power Supply.
3. BARK status message sent to CPU signalling a failure.
4. CPU starts controlled shut-down.

Summary of "BARK DELAYED" effects:

1. Disconnects the voltage Power and Sense circuits from the instrument output terminals.
2. BARK DELAYED disables the registers of the serial/parallel data converters.
3. Outputs from control latches in the reference divider pcb are disabled by setting into "Tristate". Each output line has a pull-up or pull-down resistor which sets the analog circuitry into a safe condition.

### POSSIBLE FAULT LOCATIONS

- Digital Assembly (No gated WRT STRB pulses at J2/J3-29) (*page 11.2-1*).
- Analog Interface Assembly (No SSDA strobe pulses; or Watchdog disabled) (*page 11.3-1*).
- Reference Divider Assembly (Incorrect functioning of Watchdog setup circuitry) (*page 11.4-1*).

NB.

The Watchdog is designed primarily to ensure that CPU malfunctions do not set up dangerous conditions in the analog circuitry.

### FURTHER INFORMATION IN THIS HANDBOOK

Technical description: *Section 6.4*.



---

## 2.2.6 **FAIL 6** (Calibration Memory Fault)

---

### INITIAL ACTION

1. Select Output OFF, Spec OFF, Error OFF.
2. Perform self-test sequence (Section 2.3) or select Output ON at the requested value.
3. No failure display - no further action.
4. FAIL 6 recurs - recalibration required.
5. Select Cal (*refer to Section 1*).
6. Recalibrate (*refer to Section 1*).
7. Calibration failure - fault persists.

### FAULT CONDITION

Calibration memory fault on Digital pcb assembly.

### POSSIBLE FAULT LOCATION

- Digital Assembly (*page 11.2-1*)

### FURTHER INFORMATION IN THIS HANDBOOK

Self-test procedures: *Section 2.3*.

Calibration procedures: *Section 1*.

Technical descriptions: *Section 6.1*.

---

## 2.2.7 **FAIL 7** (P.A. 400V Power Failure)

---

### INITIAL ACTION

1. Switch power OFF.
2. Check line supply is correct for input voltage setting.
3. Switch power ON - no failure display - no further action.
4. FAIL 7 recurs - fault persists.

### FAULT CONDITION

- Positive or Negative 400V power supply failure
- Fault indication signal 400V(2) FAIL active
- Check line input voltage

### POSSIBLE FAULT LOCATIONS

- Power Amplifier Assembly (*page 11.9-1*).
- Reference Divider Assembly (*page 11.4-1*).
- Positive Heatsink Assembly (*page 11.13-1*).
- Negative Heatsink Assembly (*page 11.13-2*).
- Power Supply/I Heatsink Assembly (*page 11.13-3*).
- Mother Board (*page 11.16-1*).

### FURTHER INFORMATION IN THIS HANDBOOK

Technical descriptions: *Sections 6.7*.

---

### 2.2.8 **FAIL 8** (P.A.38V Power Failure)

---

#### INITIAL ACTION

1. Switch power OFF.
2. Check line supply is correct for input voltage setting.
3. Switch power on - no failure display - no further action.
4. FAIL 8 recurs - fault persists.

#### FAULT CONDITION

- Positive or Negative 38V power supply failure.
- Fault indication signal 38V(2) FAIL active.
- Check line input voltage.
- It is possible for a misleading FAIL 8 message to occur, caused by a logic supply failure, in particular -15 Volts. The FAIL 9 message will have been displayed momentarily. Refer for fault location and further information to FAIL 9.

#### POSSIBLE FAULT LOCATIONS

- Power Amplifier Assembly (*page 11.9-1*).
- Reference Divider Assembly (*page 11.4-1*).
- Power Supplies (*page 11.12-1*).
- Mother Board (*page 11.16-1*).

#### FURTHER INFORMATION IN THIS HANDBOOK

Technical descriptions: *Section 6.7*.

---

### 2.2.9 **FAIL 9** (P.A. 15V Power Failure)

---

#### INITIAL ACTION

1. Switch power OFF.
2. Check line supply is correct for input voltage setting.
3. Switch power on - no failure display - no further action.
4. FAIL 9 recurs - fault persists.

#### FAULT CONDITION

- Positive or Negative 15V power supply failure. This is indicated by a transitory Fail 9 followed by Fail 8.
- Fault indication signal 15V(2) FAIL active.
- Also 400V power supply is disabled.
- Check line input voltage.

#### POSSIBLE FAULT LOCATIONS

- Power Amplifier Assembly (*page 11.9-1*).
- Reference Divider Assembly (*page 11.4-1*).
- Power Supplies (*page 11.11-1*).

#### FURTHER INFORMATION IN THIS HANDBOOK

Technical descriptions: *Section 6.7*.

---

**2.2.10 Error EF**  
(External Frequency selected but not detected)

---

**INITIAL ACTION**

- If External Frequency Lock is not required:  
Ensure external frequency selection switch (S53) is set to **OFF**.
- If External Frequency Lock reference is required:
  1. Ensure reference frequency is available at Rear Panel connector J53.
  2. Ensure Rear Panel switch S53 is set to **ON**.

**FAULT CONDITION**

- The external reference signal detector has set 'EXT REF ST' to Logic  $\emptyset$ .

**POSSIBLE FAULT LOCATIONS**

- External circuit.
- Interconnection Assembly (*page 11.17-2*).
- Mother Assembly (*page 11.16-4*).
- Analog Interface Assembly (*page 11.3-4*).

**FURTHER INFORMATION IN THIS HANDBOOK**

Technical descriptions:  
External Frequency Lock: Section 8.3.

---

**2.2.11 Error OL** (Voltage: Output current limit exceeded)  
(Current: Output compliance voltage limit exceeded)

---

**INITIAL ACTION**

- If Voltage range selected:
  1. Set Output OFF (Automatic if 100 or 1000V range selected).
  2. Disconnect external circuit.
  3. Set Output ON:
    - If no Error OL or FAIL message, check external circuit for low resistance, drawing output current in excess of specification (refer to User's Handbook *Section 6*). Ensure Capacitive Load constraints are not exceeded, *page 6.7*.
    - If Error OL recurs, internal fault persists.
  
- If I range selected:
  1. Set Output OFF.
  2. Short Output terminals I+ to I-.
  3. Set Output ON:
    - If no Error OL or FAIL message, check external circuit for high resistance, developing output voltage in excess of compliance limit.
    - If Error OL recurs, internal fault persists.

**FAULT CONDITION (IN DC RANGES)**

- If Low DC Voltage range (100 $\mu$ V -10V):  
DC Overcurrent Detector circuit (*Vol 2 page 11.5-2*) has detected a current in the PLO(DCV) line of approx 28mA or more, and has activated LIM ST signal to the CPU.
  
- If High Voltage range (100V or 1000V): Either
  - a. DC Overcurrent Detector circuit (*Vol 2 page 11.5-2*) has detected excessive current in the PLO(DCV) line and has activated LIM DET signal to the CPU, or
  - b. DC 1000V Over-Voltage detector (*Vol 2 page 11.14-2*) has detected an output voltage in excess of 1440V and has activated LIM DET signal to the CPU.

In either condition **a.** or **b.**, M10 in the power amplifier removes the 16kHz drive from the input to the PA, and generates HI I ST signal to the CPU; which responds by setting Output OFF, and DC Reference voltage to zero.

- If I range selected:  
Overvoltage detector circuit (M15 in I/ohms Assembly) has detected a terminal voltage of 4.4V or more and has activated LIM ST signal to the CPU. If 100mA or 1A range selected, the CPU switched Output OFF and reduces DC Reference voltage to zero.

**FAULT CONDITION IN AC RANGES**

- If 1mV, 10mV, 100mV or 1V Range:  
Sine Source Assembly overcurrent sense circuit (M49a/M49b) has detected a current in the AC 1V line of approximately 25mA RMS or more, and has activated LIM ST signal to the CPU.
  
- If 10V range:  
10V overload detector in the Power Amplifier Assembly has detected a current in the I+ line of approximately 60mA RMS or more. In this condition a hardware limit comes into effect.
  
- If High Voltage ranges (100V or 1kV): Either
  - a. 100V Overload detector in the Power Amplifier Assembly has detected a load in excess of 120mA RMS on the 400V power supply,
  - b. 1kV Current Overload detector (M8) in the Output Control assembly has detected an excessive output current, or
  - c. 1k Overvoltage Detector in the Output Control Assembly has detected a voltage on the PHI(V) line in excess of 1440V RMS.

In these ranges the output is switched off automatically by the CPU.

- If I range selected:  
Overvoltage detector circuit has detected a terminal voltage of 3V RMS or more and has activated LIM ST signal to the CPU. If 100mA or 1A range selected, the CPU switched Output OFF.

**POSSIBLE FAULT LOCATIONS**

- External circuit.
- Sine Source Assembly (*page 11.6-1*).
- AC Assembly (*page 11.7-1*).
- DC Assembly (*page 11.5-1*).
- Power Amplifier Assembly (*page 11.9-1*).
- I/Ohms Assembly (*page 11.8-1*).

**FURTHER INFORMATION IN THIS HANDBOOK**

Technical descriptions:  
Low DC Voltage ranges: Section 7.3 and 7.6.  
Low AC Voltage ranges: Section 9.4.  
100 or 1000V ranges: Section 9.5.  
I ranges: Section 10.

## 2.3 SELF-TEST SEQUENCE

### 2.3.1 General

The self-test sequence is performed in two stages:

Stage 1 is a fully automated test of safety monitoring and high-voltage safety interlocks;

Stage 2 is a semi-automatic test of keyboard and display functions, which also responds to operator's key selections.

### 2.3.2 Stage 1 (Fig. 2.1)

Entry into Stage 1 is selected automatically whenever the TEST key is pressed for the first time (the test is not allowed if OUTPUT ON, ERROR or SPEC are selected or when in remote control). Indication of test mode is given by the LED in the TEST key being lit. The full sequence of Stage 1 must be completed before exit from the test mode can be made. The tests performed in Stage 1 are as follows:

1. Safety Monitor Watchdog Test. In this, the safety monitor is tripped causing the word SAFEtY to appear in the Mode display, the Safety Reset LED flashes and the buzzer sounds continuously. It is necessary for the operator to reset the safety monitor by pressing the Safety Reset key, after which the SAFEtY display is replaced by the 'running' message, and the test sequence continues.
2. Calibration Memory Test. The contents of the non-volatile calibration RAM are checked for validity. Failure results in the message FAIL 6 appearing on the Mode display.
3. High-voltage Protection. This test ensures that a voltage demand made to the power amplifier does not trip the software voltage detector when immediately below the detector threshold level, but when raised to a level above the detector threshold the detector is tripped.

Incorrect detect action is shown by the message FAIL 2 on the Mode display. No voltages appear at the output terminals during this test.

Fail messages are updated as the test sequence progresses through the calibration memory and high-voltage tests. After completion of the high-voltage test, the test mode ends and the Test LED is cancelled. If faults were encountered the last FAIL message will remain on the display replacing the running message. Fault diagnosis can now be performed. If no faults are encountered during Stage 1, the message PASS is displayed. The calibrator can now be returned to normal operation, or Stage 2 of the self-test sequence can be selected.

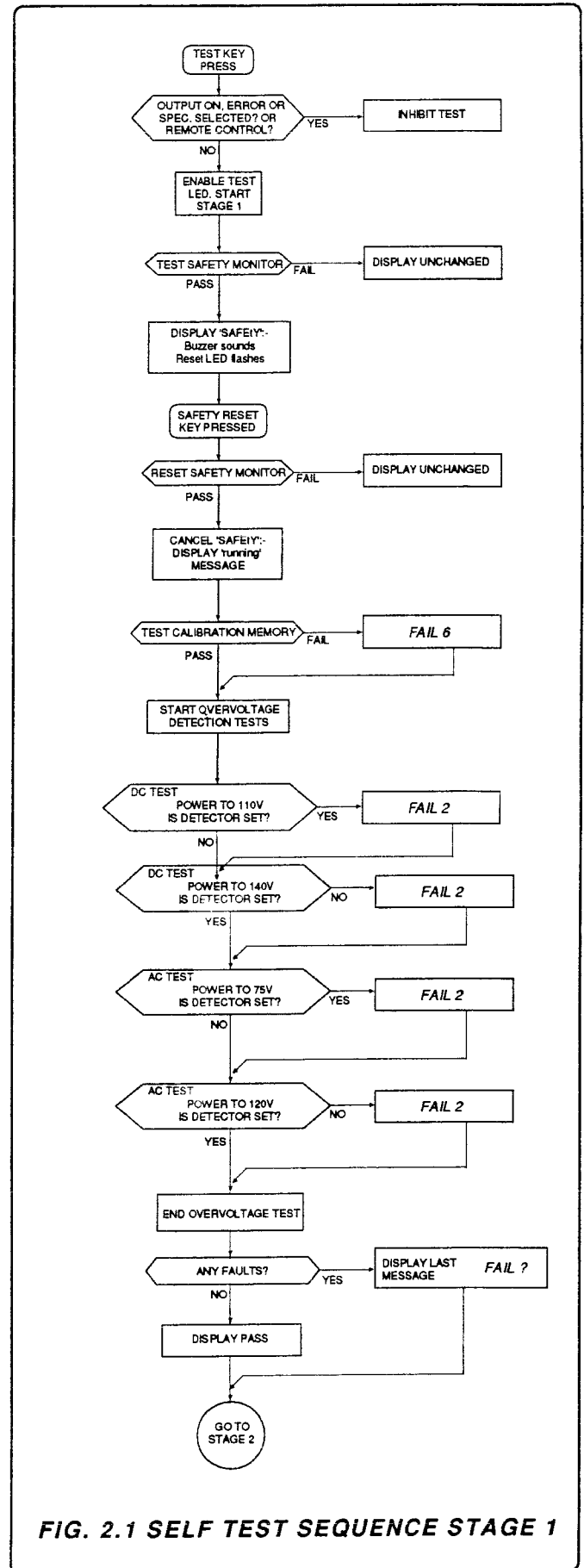


FIG. 2.1 SELF TEST SEQUENCE STAGE 1

### 2.3.3 Stage 2 (Fig. 2.2)

Entry into Stage 2 of the self-test sequence is made when the Test key is pressed AFTER the completion of Stage 1. and BEFORE any other key.

The test proceeds by sequentially displaying all segments and legends.

The test continues, showing segment-by-segment, all seven-segment digits, legends and commas.

After all digits have been displayed, the keyboard LED indicators are lit in a sequence which proceeds from left to right. (Test LED remains lit).

The next test in the sequence requires operator participation in order to check key functions. Two half-digit symbols are shown on the mode display to indicate that the keys are ready to be checked.

Operation of Up, Down and Output Selection keys are shown by a symbol on the display immediately above the key; operation of Frequency Range, Mode, Range, Function and Output keys are shown by the key's LED. In these tests the display or LED remains lit until another key is pressed.

At any part of Stage 2, pressing Test or Zero key will end the test and cancel the Test LED.

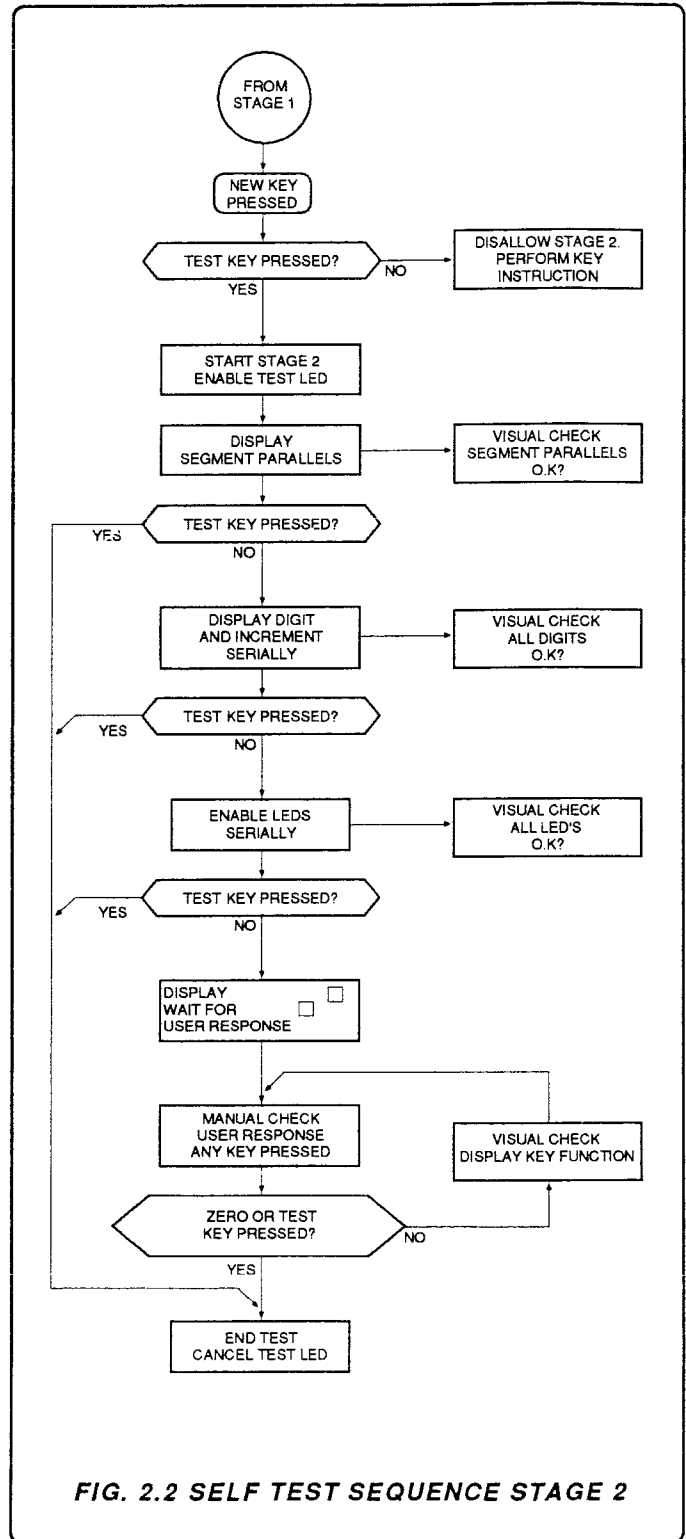


FIG. 2.2 SELF TEST SEQUENCE STAGE 2

---

## 2.4 FUSE PROTECTION

In addition to the electronic protection devices used in the instrument, fuses are provided to protect against catastrophic component failure.

### 2.4.1 Fuse Replacement

A blown fuse is merely a symptom of failure, in the large majority of cases the cause lies elsewhere.

#### CAUTION

Every occurrence of a blown fuse should be investigated to find the cause. Only when satisfied that the cause is known, and has been removed, should a user replace a fused link by a serviceable item.

### 2.4.2 Reasons For Fusing

The fuses in the calibrator fall into two groups:

- a. Clip-in anti-surge fuses in the Power Supplies and Mother Board protect the power source from damage.
- b. Soldered-in fuses are used in some locations to ensure that the printed circuit tracks are protected in the unlikely event of extreme failure conditions.

### 2.4.3 Locating a Blown Fuse

The ultimate causes of blown fuses are so extensive that it is impractical to list them. In many cases the underlying cause, or the blown fuse itself, will activate an electronic protective process which can conceal some of the symptoms.

Fault location in the Calibrator should proceed from the primary indications of fault condition (e.g. failure messages described in Section 2.2). These will lead to particular areas of investigation, and at this point the relevant circuit fuses should be checked first. Whether fuses are blown or not, the checks will add to the information available for further diagnosis. Table 2.1 is indexed in Circuit Diagram page order, giving fuse values. The types of fuses to be used can be found in the component lists of Section 12.

*Table 2.1 (overleaf)* lists their locations.

LOCATION AND DESIGNATOR	VALUE/FITTING	PROTECTED CIRCUITS	Page
<b>DC Assembly</b>			
F1	1A/Solder-in	DC 10V, 100V & 1kV Error	11.5-1
F2	250mA/Solder-in	SHI(DCV)	11.5-2
F3	1A/Solder-in	Power Lo/Guard	11.5-2
F4	1A/Solder-in	Power Lo	11.5-2
F5	1A/Solder-in	DC 1kV	11.5-1
F6	1A/Solder-in	PHI(V)	11.5-2
<b>AC Assembly</b>			
F1	1A/Solder-in	1V range only & Current ranges up to 10mA	11.7-1
F2	1A/Solder-in	All AC Voltage ranges (PHI(ACV))	11.7-1
<b>I/Ω Assembly</b>			
F1 Not used	---	---	---
F2	375mA/Solder-in	PLO(Ohms)	11.8-3
F3	1A/Solder-in	SLO(Ohms)	11.8-3
F4	375mA/Solder-in	PHI(Ohms)	11.8-3
F5	2.5A/Solder-in	All Current/Ohms Outputs	11.8-1
<b>Power Supply (OG)</b>			
F1	4A/Clip-in	Digital and Display supplies	11.10-1
<b>Power Supply (IG)</b>			
F1	4A/Clip-in	Supplies -22V(2)	11.11-1
F2	4A/Clip-in	Supplies +22V(2)	11.11-1
F3	3.15A/Clip-in	Supplies +15V(2)	11.11-1
F4	3.15A/Clip-in	Supplies -10V(2), -15V(2)	11.11-1
F5	1A/Clip-in	Supplies -8V(2)	11.11-2
F6	1A/Clip-in	Supplies +8V(2)	11.11-2
<b>Power Supply (38V)</b>			
F1	1A/Solder-in	-38V Supply Line	11.12-1
F2	1A/Solder-in	+38V Supply Line	11.12-1
<b>Mother Board</b>			
F1	1A/Clip-in	Transformer secondary to 400V PSU	11.16-5
F2	1A/Clip-in	Transformer secondary to 400V PSU	11.16-5
F3	2.5A/Solder-in	Transformer secondary to 38V PSU	11.16-5
F4	2.5A/Solder-in	Transformer secondary to 38V PSU	11.16-5
<b>Power Input Module</b>			
220/240V	3A/Clip-in	All circuits	11.18-6
100/120V	6.25A/Clip-in	All circuits	11.18-6

**TABLE 2.1 FUSE LOCATION AND PURPOSE**



# SECTION 3

## DISMANTLING AND REASSEMBLY

---

### 3.1. GENERAL PRECAUTIONS

---

#### 3.1.1 WARNINGS

1. ISOLATE THE INSTRUMENT FROM LINE SUPPLY BEFORE ANY DISMANTLING OR REASSEMBLING.
2. THE COMBINED REMOVAL OF TOP AND BOTTOM COVERS, GROUND/GUARD ASSEMBLIES AND REAR PANEL ASSEMBLY LEAVES THE MOULDED INTERNAL CHASSIS UNSUPPORTED. THIS CAN CONSTITUTE A SAFETY HAZARD TO BOTH PERSONNEL AND EQUIPMENT.

#### 3.1.2 CAUTIONS

1. REMOVAL OF THE TOP GROUND/GUARD ASSEMBLY INVALIDATES MANUFACTURER'S CALIBRATION CERTIFICATION.
2. HANDLE THE INSTRUMENT CAREFULLY WHEN INVERTED, TO AVOID SHAKING PRINTED CIRCUIT BOARDS LOOSE.
3. DO NOT TOUCH THE PCB EDGE CONNECTORS.
4. ENSURE THAT NO WIRES ARE TRAPPED WHEN FITTING GROUND/GUARD ASSEMBLIES.
5. DO NOT ALLOW WASHERS, NUTS ETC. TO FALL INTO THE INSTRUMENT.

---

### 3.2 General Mechanical Layout *(Volume 2, pages 11.0-1 and 11.18-1 to 11.18-7).*

All circuits are housed within a single unit on printed circuit board assemblies, the eight major PCBs being plugged into a "Mother" PCB assembly.

The 4708 MULTIFUNCTION CALIBRATOR can be used as a bench-top instrument, or it may be rack mounted in a standard 19" rack.

---

#### 3.2.1 Front Panel

Six output terminals with captive, insulated caps are provided. Alternatively, the terminals can be fitted to the rear panel (Option 42) at manufacture (*page 11.19-2*).

A printed overlay on the front panel labels all the controls, and retains polarizing filters for the displays.

The intake filter is retained by a grille but is removable for cleaning. At the extreme left of the panel, an extractor fan draws cooling air through the filter and internal heat exchangers, discharging to atmosphere.

#### 3.2.2 Rear Panel

The recessed Power Input plug, Power Fuses and Line Voltage Selector are contained in an integral filter module at the centre of the rear panel.

The Calibration Enable switch (with removable key), and the External Frequency Input BNC socket (J53) are mounted directly on the panel between the Power Input module and the cooling-air intake filter.

The IEEE 488 standard connector socket (J27) with instrument address switch, the Calibration Interval Switch and the external frequency switch (S53) are all mounted on the Interconnection PCB assembly. This is fitted on spacers to the inside face of the panel with external components protruding to the rear. Socket J54 is provided to facilitate future expansion.

---

## 3.3 LOCATION AND ACCESS

---

### 3.3.1 External Construction

Rigid side extrusions, together with the front and rear panel assemblies, form the basic chassis of the instrument. The side extrusions have handles and rear spacers fitted for bench-top use, or are fitted with 'ears' and slides for rack mounting (see User's Handbook, *Section 2*).

The top cover locates into the side extrusions and is secured by screws. The bottom cover is attached in the same way, and includes six domed feet. An operator's instruction card pulls forward from below.

---

### 3.3.2 Internal Construction

The chassis is enclosed top and bottom by ground and guard screens. The upper ground and guard screens allow most internal adjustments to be performed without removal. Locations of adjustable components, instructions and warnings are printed on its upper surface.

The interior of the chassis is divided into two compartments. A thermally-enclosed compartment occupies the forward half of the chassis, and is used to house the low power, precision printed circuit board assemblies.

The rear compartment contains high power components, is air-cooled and further subdivided. One section is positioned across the intake airflow, housing the In-guard and Out-guard Power Supply assemblies and providing anchorage for the Mains (Line) Transformer assembly. The other section houses three Heatsink assemblies, provides anchorage for the LF Transformer assembly, High Voltage assembly and 38V Power Supply assembly.

Filtered air passes over the power supplies, mixes with air in the rear compartment, is drawn through the heatsink assemblies, and is finally expelled from the instrument by the extractor fan.

Guard screens are provided against the outer walls of the power supply sub-compartment and the heatsink compartment.

Interconnections between the Power Amplifier assembly, all forward-compartment assemblies, and the Front assembly are made via a Mother PCB. The latter fits across the bottom of the forward compartment, extending at the front to the Front assembly and at the rear to the 38V Power Supply. Four moulded stiffeners keep the mother pcb rigid, also providing lateral locating slots for printed circuit boards and guard screens.

The main printed circuit boards in the forward compartment fit across the full width of the instrument chassis. They slide into vertical slots cut into the moulded chassis, their PCB edge-connection fingers making electrical contacts with sockets mounted on the Mother Assembly. Interleaved between the assemblies are screening shields. These are also guided by slots, and make similar electrical contact.

The Power Amplifier assembly PCB slots in behind the forward compartment across the full width. It connects to the Mother PCB in the same way, but has additional discrete electrical connections for the high power lines.

Each PCB is identified by the color of its ejector lever. The color name is coded at its correct location on the top of the internal moulded chassis (refer to *Table 3.1*). Also, each assembly's edge connector is uniquely configured to prevent incorrect fitting.

The Front PCB assembly, carrying the display components, connects into the front end of the mother PCB outside the thermally-insulated compartment.

---

## 3.4 GENERAL ACCESS

---

- ENSURE THAT POWER IS OFF.
- Heed the General Precautions 3.1.1 & 3.1.2.

If, during a procedure, sufficient access has been obtained then no further dismantling is required.

---

### 3.4.1 TOP COVER (11.18-2 Detail 10)

- **Removal**
  - a. Remove the eight M4 x 12mm socket head countersunk screws from cover.
  - b. Remove cover by lifting at the front.

- **Fitting**

Locate cover at rear first, then reverse removal procedure.
- 

### 3.4.2 BOTTOM COVER (11.18-2 Detail 10)

- **Removal**
  - a. Invert the instrument.
  - b. Remove the eight M4 x 12mm socket head countersunk screws from cover.
  - c. Remove cover by lifting at the front.

- **Fitting**

Locate cover at rear first, then reverse removal procedure.
- 

### 3.4.3 FRONT PANEL (11.18-4 Detail 6)

- Remove covers 3.4.1 & 3.4.2
- **Removal**
  - a. Remove the four M4 x 8mm taptite screws from the front panel.
  - b. Remove Earth Connector.
  - c. Remove the Front Panel.

- **Fitting**

Reverse the removal procedure, referring to *Page 11.18-4*.
-

---

#### 3.4.4 TOP GROUND/GUARD SHEET (11.18-2 Detail 9)

- Removal of the Top ground/guard shield involves breaking Datron's calibration seal and renders manufacturer's calibration invalid.
- Instrument cooling air-flow adversely affected. Internal temperature rise triggers Fail 1. Power OFF and allow to cool as required.
- Remove the top cover (*para. 3.4.1*).

- **Removal**

- a. Refer to *Page 11.18-2* Detail 9 and remove:
  - i. ten M4 x 8mm pozi-countersunk screws
  - ii. six M3 x 6mm pozi-pan screws and M3 shakeproof washers
  - iii. one M3 x 12mm pozi-pan screw and M3 shakeproof washer
- b. Remove the top ground/guard assembly.

- **Fitting**

Refer to *Page 11.18-2* Detail 9 and reverse the removal procedure.

---

#### 3.4.5 BOTTOM GROUND SHEET (Page 11.18-1 Detail 8)

- Invert the instrument
- Remove the bottom cover (*para. 3.4.2*).

- **Removal**

- a. Refer to *Page 11.18-1* Detail 8 and remove:
  - i. ten M4 x 8mm pozi-countersunk screws
  - ii. six M3 x 6mm pozi-pan screws and M3 shakeproof washers
- b. Remove the bottom ground sheet assembly.

- **Fitting**

Reverse the removal procedure.

---

#### 3.4.6 BOTTOM GUARD PLATE (Page 11.18-1 Detail 7)

- Invert the instrument. Remove the bottom cover (*para. 3.4.2*). Remove the bottom ground sheet assembly (*para. 3.4.5*).

- **Removal**

- a. Refer to *Fig. 11.18-1* Detail 7 and remove ten M3 x 6mm pozi-countersunk screws.
- b. Remove the bottom guard plate.

- **Fitting**

Reverse the removal procedure, ensuring that no wiring is strained or trapped.

### 3.5. REMOVAL AND FITTING

Note:

Do not remove the Top Ground/Guard sheet (*para 3.4.4*) if only selecting pre-cal, erasing cal memory, removing Instruction Card or Rear Panel.

In addition to the following Location instructions, refer to Volume 2 page 11.0-1.

Assembly	Access Required (Heed Caution 3.1)	Location (Page Detail in bracket)	Ejector Color	Section	Page (Vol 2)
Instruction Card	-	11.18-2 (11)	-	3.5.1	-
Front Assembly	3.4.5	11.18-3 (4)	-	3.5.2	11.1-1
Digital Analog Interface Reference Divider Output Control Sine Source AC Current (OR Current Link pcb)	} 3.4.4	Chassis Identifier Code { BLK BRN RED ORG YEL GRN BLU BLU	BLACK BROWN RED ORANGE YELLOW GREEN BLUE BLUE	3.5.4	11.2-1 11.3-1 11.4-1 11.5-1 11.6-1 11.7-1 11.8-1
Common Guard and Ground Screens	3.4.4	11.18-5 (13)	-	3.5.6	-
Power Amplifier	3.4.4	11.18-1 (4) VLT	VIOLET	3.5.8	11.9-1
Power Supplies Out-Guard In-Guard ±38V	} 3.4.4	11.18-1 (1) 11.18-1 (2) 11.18-1 (5)	- - -	3.5.10 3.5.12 3.5.14	11.10-1 11.11-1 11.12-1
Heatsinks	3.4.4	11.18-1 (4)	-	3.5.16	11.13-1
High Voltage	3.4.4	11.18-1 (5)	-	3.5.18	11.14-1
Transformers Mains HF LF	} 3.4.4	11.18-5 (9) 11.18-4 (6) 11.18-5 (10)	- - -	3.5.20 3.5.22 3.5.24	11.15-1 11.15-2 11.15-2
Mother Board	-	11.18-3 (3)	-	-	11.16-1
Interconnections	3.5.28	11.18-6 (15)	-	-	11.17-1
Terminal Board	3.4.3	11.18-4 (8)	-	3.5.26	11.17-3
Rear Panel	-	11.18-4 (6)	-	3.5.28	11.18-6
Instrument Assembly	-	-	-	-	11.20-1

**TABLE 3.1 INTERNAL LOCATION AND ACCESS**

---

### 3.5.1 INSTRUCTION CARD

- a. Pull the instruction card forward to its fullest extent.
- b. Bow the card and release the rear lugs from the slots.
- c. Refit in reverse procedure.

---

### 3.5.2 FRONT ASSEMBLY (Page 11.18-3 Detail 4)

- Remove Front Panel (*para. 3.4.3*)

- **Removal**

- a. Remove two screws retaining the power switch, together with their two shakeproof washers and four plain washers.
- b. Fold the power switch and its cable clear of the pcb.
- c. Remove the M3 x 6mm pozi-pan screws and wavey washers from 11 positions on the circuit board.
- d. Ease the lower edge of the PCB away from the Mother PCB, to disengage the mating connectors.
- e. Remove the assembly.

- **Fitting**

Reverse the removal procedure. Ensure all mating connectors are full engaged and that the surfaces of displays are clean.

---

### 3.5.3 MAJOR PCB ASSEMBLIES

- ENSURE THAT THE INSTRUMENT POWER IS OFF.

- **Removal**

- a. Identify the PCB assembly to be removed (*see Table 3.1*)

Note (operations c to e):

The I/Ω's Link PCB has only one ejector. To remove, grip the top edge and pull gently while levering the ejector upwards and outwards.

- b. Place the thumb of each hand under the lip of the two ejectors on the PCB assembly to be removed.
- c. Gently lever the ejectors upwards and outwards to release the edge connectors.
- d. Remove the assembly.

- **Fitting**

- a. Identify the chassis location of the PCB assembly to be fitted (*See Table 3.1 and page 11.0-1*).

Note:

The single ejector of the I/Ω's Link PCB locates to the 'BLU' identifier of the chassis.

- b. Ensure the ejectors are in the 'down' position.
- c. Insert the PCB edges into the identified slots in the side walls of the chassis.
- d. Allow the PCB to slide down to the Mother PCB, then press home by gently pushing down on the ejectors.

---

### 3.5.4 COMMON, GUARD AND GROUND SCREENS (Page 11.18-5 Detail 12)

- The first screen (counting from front to back) is the Ground Screen and has two securing screws. Of the six remaining screens the first five are aluminium, single screw and interchangeable. The rearmost screen is steel and not interchangeable. Each plate mates with a miniature connector on the mother PCB adjacent to the side wall of the chassis.
  
- **Removal**
  - a. Remove any adjacent assemblies to obtain access.
  - b. Undo securing screw/s.
  - c. Grip the plate and lift out from the chassis.
- **Fitting**
  - a. Insert the plate into the correct slots in the side walls of the chassis (ensure correct orientation).
  - b. Allow the plate to slide down to the Mother PCB, then gently press home.
  - c. Secure with a 3 x 6mm Pozi-screw and shakeproof washer (two for the ground screen).
  - d. Replace assemblies removed for access.

---

### 3.5.5 POWER AMPLIFIER ASSEMBLY (Page 11.18-1 Detail 4)

- Do not pull on the connector wires. Some resistance to movement will be felt from the locking clips of the connector bases.
  
- **Removal**
  - a. Disconnect the five connectors from the assembly as shown on *Page 11.18-1 Detail 4*.
  - b. Fold back the connectors and wires clear of the assembly.
  - c. Place the thumb of each hand under the lip of the two ejectors.
  - d. Gently lever the ejectors upwards and outwards to release the edge connectors.
  - e. Remove the assembly.
- **Fitting**
  - a. Ensure that all wires and connectors are clear of the PCB area.
  - b. Insert the PCB edges into their respective slots in the side walls of the chassis; component side facing the rear of the instrument.
  - c. Allow the assembly to slide down to the Mother PCB taking care not to trap any wires.
  - d. Ensure the ejectors are in the 'down' position then press the assembly home by gently pushing down on the ejectors.
  - e. Identify and fit the five connectors J1 to J5, as shown on *Page 11.18-1 Detail 4*.

---

### 3.5.6 OUT-GUARD POWER SUPPLY (Page 11.18-1 Detail 1)

- Do not pull on the connector wires. Some resistance to movement will be felt from the locking clips of the connector bases.
  
- **Removal**
  - a. Disconnect J1, J2, and J3 from the In-Guard Power Supply Assembly.
  - b. Disconnect the connector J3 from the PCB.
  - c. Fold back the connectors and wires clear of the assembly.
  - d. Grip the top edge of the PCB and lift gently from the chassis.
  - e. Remove the assembly.
  
- **Fitting**
  - a. Ensure that all wires and connectors are clear of the PCB area.
  - b. Insert the PCB edges into their respective slots in the chassis sub-compartment.
  - c. Allow the assembly to slide down to the miniature connectors on the chassis, taking care not to trap any wires.
  - d. Fit the J3 connector to the assembly.
  - e. Press the assembly home by gently pushing down on the top edge of the PCB.
  - f. Fit J1, J2 and J3 to the In-Guard Power Supply Assembly.

---

### 3.5.7 IN-GUARD POWER SUPPLY (Page 11.18-1 Detail 2)

- Do not pull on the connector wires. Some resistance to movement will be felt from the locking clips of the connector bases.
- The Out-Guard Power Supplies components can obstruct the removal of the In-Guard Power Supply. Remove Out-Guard Power Supply Assembly (*para 3.5.6*)
  
- **Removal**
  - a. Disconnect the three connectors J1, J2 and J3 from the PCB.
  - b. Fold back the connectors and wires clear of the assembly.
  - c. Grip the top edge of the PCB and lift gently from the chassis.
  - d. Remove the assembly.
  
- **Fitting**
  - a. Ensure all wires and connectors are clear of the PCB area.
  - b. Insert the PCB edges into the respective slots in the chassis sub-compartment.
  - c. Allow the assembly to slide down to the miniature connectors on the chassis, taking care not to trap any wires.
  - d. Press the assembly home by gently pushing the top edge of the PCB.
  - e. Fit the Out-Guard Power Supply (*para. 3.5.6*)
  - f. Identify and fit the three connectors J1, J2 and J3 as shown on *Page 11.18-1 Detail 2*.

---

### 3.5.8 38V POWER SUPPLY (Page 11.18-1 Detail 5)

- Heed the General Precautions 3.1.
  
- **Removal**
  - a. Grip the edges of the pcb and pull the assembly vertically upwards. Some resistance will be felt from the edge connector.
  
- **Fitting**
  - a. Locate the assembly into the guides
  - b. Apply downward pressure until the connector is felt to have engaged.



---

### 3.5.9 HEATSINK ASSEMBLIES (Page 11.18-1 Detail 3)

- Heed the Warnings and Cautions 3.1.1 & 3.1.2. Allow heatsinks to cool before handling. Do not pull on the connector wires. When disconnecting connectors, some resistance to movement will be felt from the locking clips of the connector bases.
- Although the heatsink assemblies are discrete items, removal is simplified when performed in the following order:
  1. Negative Heatsink assembly
  2. Positive Heatsink assembly
  3. Power Supply/Current Heatsink assembly.

- **Removal**

- a. Remove the six M3 x 12mm pozi-countersunk screws from the heatsink retaining plate.
- b. Remove the heatsink retaining plate.
- c. Disconnect connectors:  
  
J1 at the Negative Heatsink Assembly  
J2 at the Power Amplifier Assembly
- d. Remove Negative Heatsink assembly.
- e. Disconnect J3 at the Power Amplifier assembly
- f. Remove the Positive Heatsink assembly

- g. Disconnect at the following points:

J1	Power Amplifier Assembly
J31, J19	Mother Assembly
J1	In-Guard PSU Assembly

- h. Remove the Power Supply/Current Heatsink assembly.

- **Fitting**

Reverse the removal procedure. To ensure correct location, orient the PCB side of each heatsink to face inwards

---

### 3.5.10 HIGH VOLTAGE ASSEMBLY (Page 11.18-1 Detail 5)

- **Removal**

- a. Lift the assembly upwards as shown on Page 11.18-1 Detail 5.
- b. Remove the connections J2, J3, and J4 as shown in the diagram.
- c. Lift the assembly clear of the instrument.

- **Fitting**

Reverse the removal procedure, referring to Page 11.18-1 Detail 5.

---

### 3.5.11 MAINS TRANSFORMER ASSEMBLY (Page 11.18-5 Detail 9)

- Remove the Out-Guard and In-Guard Power Supply Assemblies (see paras 3.5.10 and 3.5.12).

- **Removal**

- a. Disconnect the connectors from the transformer at the following assemblies:

J32 - Mother Assembly (Page 11.18-1 Detail 3)  
J6 - Interconnection Assembly  
(fixed on the rear panel see page 11.18-4 Detail 8)  
J4 - H.V Assembly (Page 11.18-1 Detail 5)  
J33 - Mother Assembly (Page 11.18-1 Detail 3)

- c. Release the four M8 x 110mm bolts, washers and nylock nuts.
- d. Remove the M3 x 8mm pozi-countersunk screw, M3 steel nut and shakeproof washer which secures the solder tag terminals of four ground wires. Fold back the wire which is fitted to the rear panel assembly.
- e. Remove the Mains (Line) Transformer assembly.

- b. Turn the instrument to stand on its left side (on Left Hand extrusion)

- **Fitting**

Reverse the removal procedure, referring to Page 11.18-5 Detail 9.

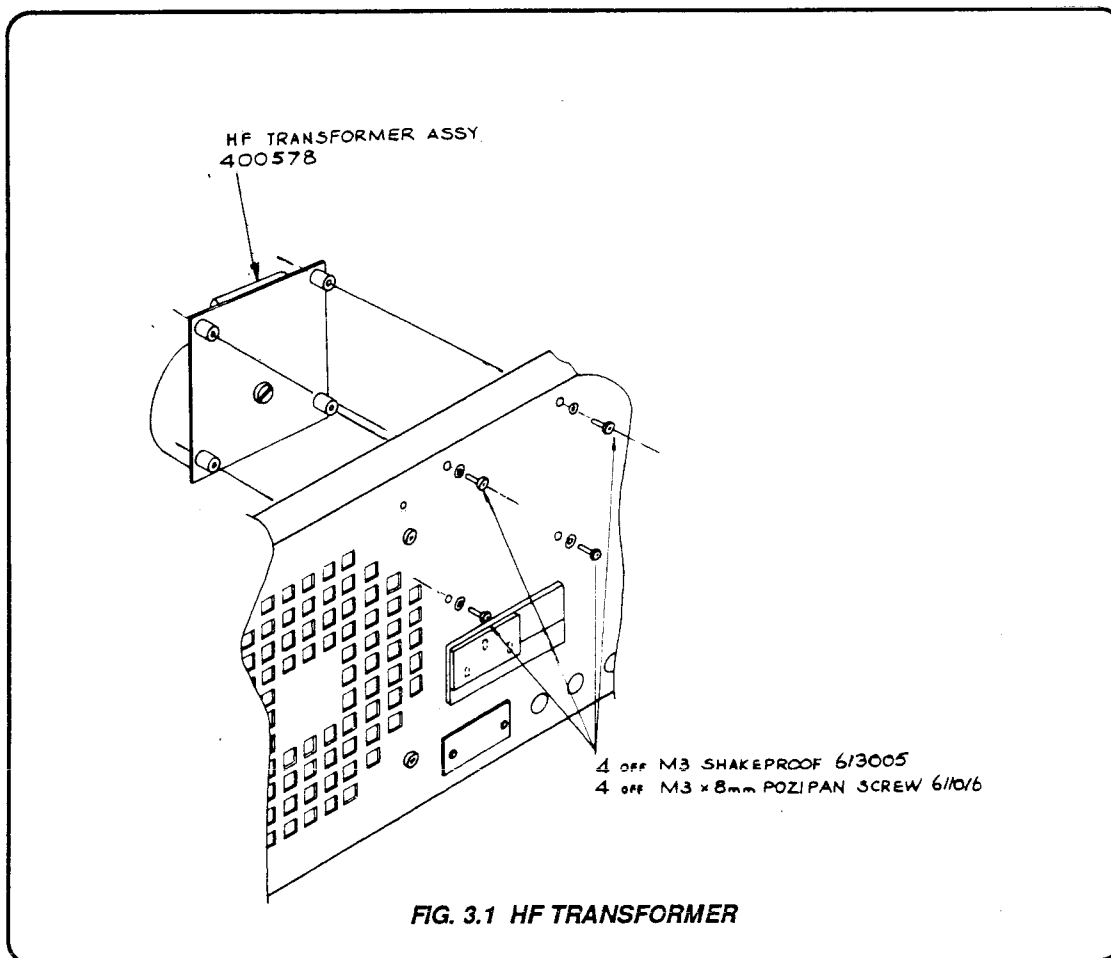
3.5.12 HF TRANSFORMER ASSEMBLY (Page 11.15-2)

• Removal

- a. Remove four M3 x 8mm pozi-pan screws (see Fig. 3.1).
- b. Disconnect connectors at the following points:  
J2 - High Voltage Assembly;  
J5 - Power Amplifier Assembly.
- c. Remove the HF transformer assembly.

• Fitting

Reverse removal procedure, referring to Fig. 3.1.



3.5.13 LF TRANSFORMER ASSEMBLY (Page 11.15-2 Detail 1 to 4)

- Remove High Voltage Assembly (3.5.18) and the Heatsinks (3.5.16.)

Removal

- Disconnect connector J4 from the Power Amplifier and J3 from the High Voltage Assembly (see Fig. 3.2).
- Turn the instrument to stand on its right hand side (on R.H. extrusion).
- Desolder J34 from the mother board and connections A, B, M, H, K, & L. Unscrew supporting clips.
- From the LF Transformer; remove the four M5 nylock nuts and flat steel washers, Remove the pair of transformer assembly M5 x 65mm screws closest to the rear panel and the transformer bolt plate.
- Slide out the LF Transformer.

Fitting

Reverse the removal procedure, referring to Fig. 3.2 and Page 11.15-2 Detail 1 to 4.

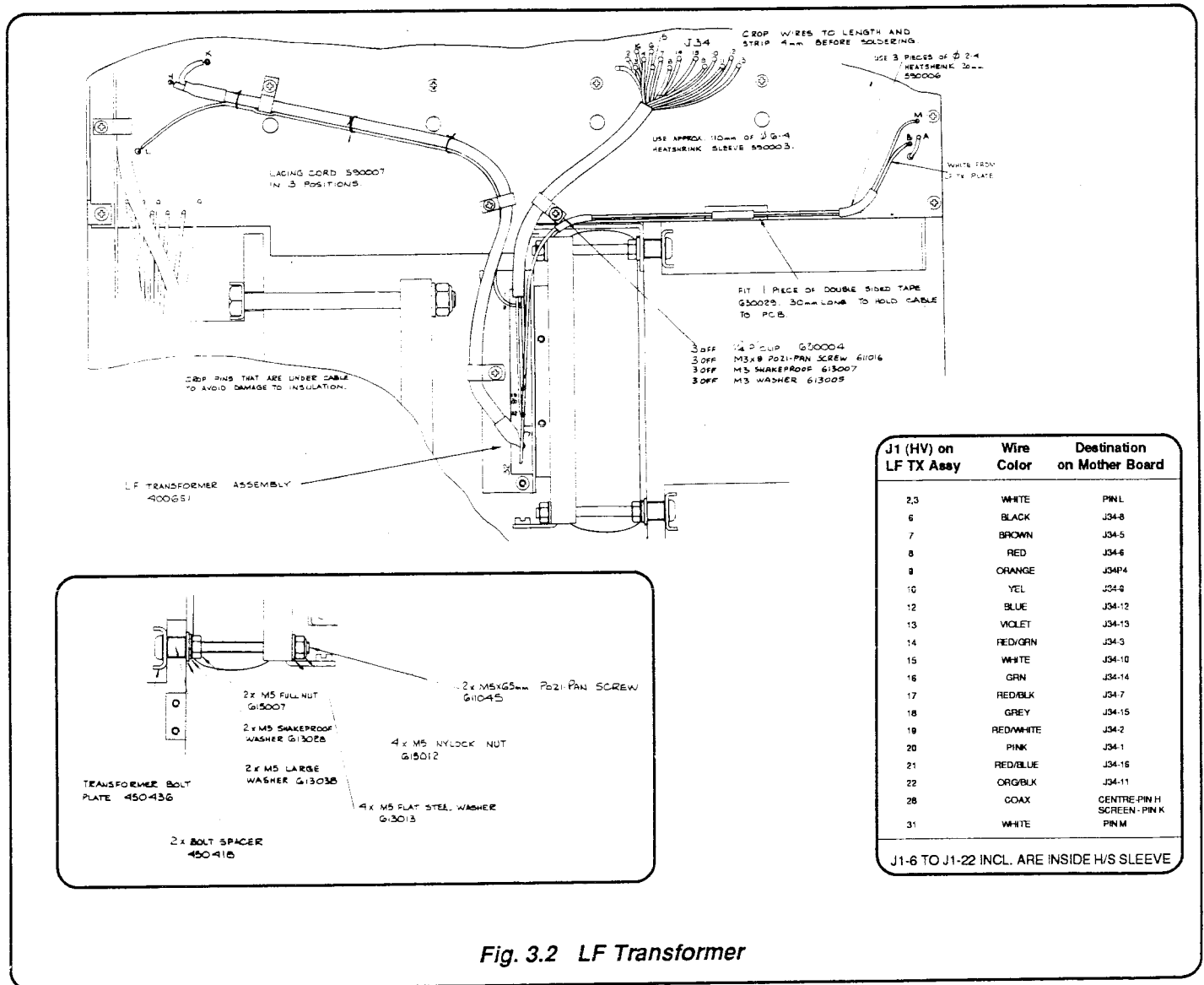


Fig. 3.2 LF Transformer

---

### 3.5.14 TERMINAL PCB ASSEMBLY (Page 11.17-3)

- Remove Front panel (*para 3.4.3*).
  
- **Removal**
  - a. Remove the four M3 x 6mm pozi-pan screws (*11.18-4* Detail 8)
  - b. The terminal board can be tipped down to facilitate component access. If leads are short remove Bottom Guard Plate (*para. 3.4.6*) and desolder as required.
  
- **Fitting**

Reverse the removal procedure.

---

### 3.5.15 REAR PANEL ASSEMBLY (Page 11.18-6)

- Do not remove the rear panel assembly when Top and Bottom covers and Ground/Guard assemblies are removed. Perform the following operations with Top and Bottom Covers and Ground/Guard assemblies fitted, or with AT LEAST the Top OR Bottom Ground Sheet assembly fitted.
- This procedure provides access to rear panel-mounted components by releasing the Rear Panel assembly and moving it away from the chassis to the extent allowed by internal wiring connections.
  
- **Removal**
  - a. Remove the six screws of the two rear spacers *11.18-4* Detail 7.
  - b. Remove the two rear spacers.
  - c. Remove the four screws of the filter grill.
  - d. Remove the filter grille and filter.
  - e. Remove the Pozi-pan screw revealed by the removal of the filter and grill.
  - f. Remove the four rear panel screws (*Page 11.18-4* Detail 6)
  - g. Looking at the rear, locate the upper right hand screw securing the extractor fan. Above this screw, locate an M3 x 6mm Pozi-pan screw (screw fixing hole only shown on cut-away sketch above Rear Panel in Detail 6 of *page 11.18-4*). Removal of the screw allows the rear panel to be detached.
  - h. Gently pull the Rear Panel assembly away from the chassis to the extent allowed by the wiring. Do not stress the wires.
  
- **Fitting**
  - a. Press the Rear Panel assembly to the chassis while ensuring that:
    - i. The wires lay in the cut-out in the moulded internal chassis
    - ii. The ribbon cables fit in the recess in the moulded internal chassis
    - iii. All other wires are free and not trapped by the rear panel assembly.
  - b. Fit screws, filter, filter grille and rear spacers, reversing the removal procedure.

# SECTION 4 SERVICING & INTERNAL ADJUSTMENTS

## 4.1 INTRODUCTION

This section provides procedures for any maintenance or calibration operations which require removal of covers or partial dismantling. The operations fall into three Categories:

- A: Routine Servicing (TABLE 4.1a),
- B: Internal Calibration Adjustments (TABLE 4.1b)
- C: Adjustment Following Replacement of PCBs (TABLE 4.1c - overleaf).

Category A	Routine Servicing			
Servicing Required	Time Interval	Procedure (Section 4)	Calibration Required	Calibration Procedure
Clean the Air Intake Filter	1 year (or less in adverse conditions)	4.2	-	-
Change Lithium Battery (non-volatile calibration memory)	5 years	4.3	(a) Full pre-cal then (b) Full routine recalibration	Sect. 1.4 Sect. 1.2

TABLE 4.1a.

Category B	Internal Calibration Adjustments			
Indication	Adjustment Required	Procedure (Section 4)	Calibration Required	Calibration Procedure
"ERROR 6" (during Routine Recalibration)	Re-set internal trimmers	4.4	Routine 4-wire & 2-wire $\Omega$	Sect. 1.2

TABLE 4.1b.

### 4.1.1 General Procedure Notes

- a. Set Power OFF before attempting to dismantle the instrument (for dismantling and reassembly instructions consult Section 3).
- b. If Top ground/guard assembly is removed subsequent testing with Power On should be completed in less than 5 minutes to avoid overheating.
- c. After servicing ensure that all connections have been made (Section 3, Fig. 3.6) and that Top and Bottom shields and covers have been replaced. Leave assembled instrument powered-up for at least 1 hour before carrying out any adjustment.
- d. Although replacement assemblies are set up by the manufacturer, the internal adjustments recommended in Table 4.1 must be carried out to ensure correct operation. These adjustments need to be carried out when the assembly is in the user's instrument, in order to account for interaction between assemblies.

### WARNING

**HAZARDOUS ELECTRICAL POTENTIALS  
ARE EXPOSED WHEN THE INSTRUMENT  
COVERS ARE REMOVED.**

**ELECTRIC SHOCK CAN KILL!**

### CAUTION

AFTER ANY MAINTENANCE OPERATIONS WHICH INCLUDE REMOVAL OF TOP OR BOTTOM GROUND ASSEMBLY, CARRY OUT THE FULL SELF-TEST SEQUENCE (Section 2.3) BEFORE RETURNING TO NORMAL USE.

DAMAGE CAUSED BY UNAUTHORISED REPAIRS OR MODIFICATIONS CAN INVALIDATE INSTRUMENT WARRANTY. CHECK THE WARRANTY DETAILED IN THE "TERMS AND CONDITIONS OF SALE". IT APPEARS ON THE INVOICE FOR YOUR INSTRUMENT.

#### 4.1.1 General Procedure Notes

- a. Set Power OFF before attempting to dismantle the instrument (for dismantling and reassembly instructions consult *Section 3*).
- b. If Top ground/guard assembly is removed subsequent testing with Power On should be completed in less than 5 minutes to avoid overheating.
- c. After servicing ensure that all connections have been made (*Section 3, Fig. 3.6*) and that Top and Bottom shields and covers have been replaced. Leave assembled instrument powered-up for at least 1 hour before carrying out any adjustment.
- d. Although replacement assemblies are set up by the manufacturer, the internal adjustments recommended in *Table 4.1* must be carried out to ensure correct operation. These adjustments need to be carried out when the assembly is in the user's instrument, in order to account for interaction between assemblies.

#### WARNING

**HAZARDOUS ELECTRICAL POTENTIALS  
ARE EXPOSED WHEN THE INSTRUMENT  
COVERS ARE REMOVED.**

**ELECTRIC SHOCK CAN KILL!**

#### CAUTION

AFTER ANY MAINTENANCE OPERATIONS WHICH INCLUDE REMOVAL OF TOP OR BOTTOM GROUND ASSEMBLY, CARRY OUT THE FULL SELF-TEST SEQUENCE (*Section 2.3*) BEFORE RETURNING TO NORMAL USE.

DAMAGE CAUSED BY UNAUTHORISED REPAIRS OR MODIFICATIONS CAN INVALIDATE INSTRUMENT WARRANTY. CHECK THE WARRANTY DETAILED IN THE "TERMS AND CONDITIONS OF SALE". IT APPEARS ON THE INVOICE FOR YOUR INSTRUMENT.

Category C		Adjustment Following Replacement of PCBs		
PCB Assembly	Adjustments	Procedure (Section 4)	Pre-cal (Sect. 1.4)	Routine cal (Sect. 1.2)
Terminal	Capacitive Load Test	4.6	-	Full
Digital	-	-	Full	Full
Reference Divider	-	-	Full	Full
DC	Capacitive Load Test	4.6	-	Full
Sine Source	-	-	-	Full
AC	Capacitive Load Test Sense Amp zeros	4.6 4.10	-	Full
Current/Ohms Assembly	Quiescent Current Compliance Resistance	4.7 4.8 4.4	-	All I ranges All I ranges Ohms
Power Amp	100V PA bias	4.5	-	-
Mother	Common-mode null	4.9	Full	Full
Out-guard PSU	Common-mode null	4.9	-	Full
Heatsinks +ve & -ve	100V PA bias	4.5	-	-
Power supply Current Heatsinks	Quiescent Current	4.7	-	All I ranges
HF or LF Transformer	-	-	-	1kV Range
Mains (line) Transformer	Common-mode null	4.9	-	-

TABLE 4.1c.

---

## 4.2 **CLEANING THE AIR INTAKE FILTER**

(Datron Part No. 450277-1) (Refer to *Section 3.14, Fig. 3.8*)

### 4.2.1 **Servicing Frequency**

The filter should be cleaned at intervals no greater than one year.  
In dusty conditions the frequency should be increased.

### 4.2.2 **Removal** (*Fig. 3.8*)

- a. Remove the four M3 x 10mm pozi-countersunk screws (11) which retain the filter grille (12).
- b. Remove the filter grille and reticulated foam filter.

### 4.2.3 **Cleaning**

- a. Wash the foam filter in a dilute solution of household detergent (hand hot).  
Rinse thoroughly in clean hand-hot water and dry completely, without using excessive heat.
- b. Clean the grille, and the grille holes in the rear panel (use a vacuum cleaner and soft brush on the rear panel).

### 4.2.4 **Inspection**

Examine the foam filter for wear, replacing if links are broken.

### 4.2.5 **Reassembly**

Place the filter in the grille housing and secure the grille to the rear panel using the screws removed in 4.2.2 above.

---

## 4.3 LITHIUM BATTERY - REPLACEMENT

(Datron Part No. 920101)

### FIRST READ THESE NOTES!

- This procedure is to be performed at intervals of 5 years from new.
- Procedure 4.3.1 allows calibration memory to be retained during battery replacement. This requires the use of an Extender Card (Datron Part No. 400625) to give access to the battery and during its removal provide a supply to the non-volatile RAMs. To ensure memory integrity the soldering iron used must be isolated from mains earth by at least 50k $\Omega$ .
- Procedure 4.3.3 resets the calibration memory to its nominal state (but does not require the use of an extender card) during replacement of the battery. If this method is used a Precalibration and full Routine Recalibration (*Section 1.4 and 1.2*) **must** follow before the instrument specification can be realized, as calibration data will be corrupted. In this case it is therefore recommended that the battery be replaced immediately prior to a scheduled full recalibration.

#### 4.3.1 Procedure (Calibration Maintained)

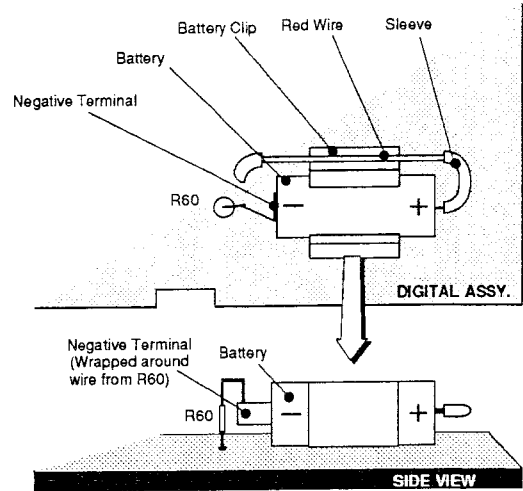
- a. Ensure that power OFF is selected.
- b. Remove the top cover and top ground/guard assembly (*Section 3 paras. 3.2.1 and 3.4.1*).
- c. Remove the Digital Assembly from the chassis (*Section 3 para. 3.6.4*).  
Do not place the assembly on any conducting surface or touch the gold edge connector.
- d. Place extender card in digital assembly slot.  
Push Digital Assembly onto extender card

#### Caution

- If the calibrator has been in use; allow to cool for 2 hours. From power ON (step f.) the internal temperature of the instrument will begin to rise. Ensure the procedure is completed within approximately 15 minutes; any Fail 1 message which occurs during this time period can be safely ignored.
  - Precautions must be taken to prevent solder or other material falling into the calibrator.
  - Ensure continuity of mains supply while battery is disconnected.
- e. Select power ON. To reduce power dissipation ensure output remains OFF.
  - f. Remove battery (refer to *Fig. 4.1*).



- i. Push sleeve back along the red wire to expose the solder joint.
- ii. Unsolder the red wire from the positive terminal of the battery.
- iii. Unsolder the negative terminal of the battery from resistor R60 at the wrap-joint.
- iv. Remove battery from battery clip



**FIG. 4.1 BATTERY REPLACEMENT**

- g. Fit and solder in a new battery, reversing the procedure of step (f.) Select power OFF (calibration maintained).
- h. Refit the Digital Assembly into the chassis (*Section 3 para. 3.5.5*).

#### 4.3.2 Return to Use

Refit the top ground/guard assembly into the chassis (*Section 3 para. 3.4.8*).  
 Refit the top cover (*Section 3 para. 3.4.2*).

- Users having followed procedure 4.3.3 must now carry out Pre-calibration and full Routine Calibration in accordance with *Section 1.4* and *1.2* respectively.

#### 4.3.3 Procedure (Calibration lost)

Follow the procedure 4.3.1 (ignore steps (d.) and (e.)) and 4.3.2.

---

## 4.4 OHMS FUNCTION-STANDARD RESISTOR ADJUSTMENT

### 4.4.1 Introduction

Routine adjustment of the standard resistors used in  $\Omega$  function is not required. A resistor is calibrated by the user entering its measured value into a non-volatile calibration memory. This value is subsequently recalled and displayed to the user each time the resistor is selected.

### 4.4.2 'Error 6' Message

'Error 6' is displayed if the value entered by the user during calibration is outside the resistor's tolerance (*Section 1.2*) i.e. outside the calibration memory span. Under normal use the resistor drift is well within the tolerance, so 'Error 6' appears only if the user enters an erroneous value.

### 4.4.3 Undue Resistor Stress

If the resistor has been subjected to undue stress, it is possible that its value may have changed slightly, and be outside its tolerance. If it is less than approximately 50ppm outside tolerance an internal trimmer can be adjusted, and the value can be calibrated.

### 4.4.4 Possible Damage

A stressed resistor may have been damaged if its value is greater than 50ppm outside its tolerance. It is advisable to have such a resistor tested or replaced by Datron Service Center.

### 4.4.5 To Reset Internal Trimmers

Follow the procedure detailed in *Section 1.7* to adjust the resistor value. If this is unsuccessful contact your Datron Service Center.

---

## 4.5 Bias Current Adjustment - 100V PA

(Refer to *Layout Drawing 480618* and *480637*)

Adjustment of the 100V/1kV amplifier bias voltages must be carried out after fitting a replacement Power amplifier assembly or Heatsink assembly. The following procedure ensures the drain voltages of Q4 and Q2 are +120V and -120V respectively.

**USE EXTREME CARE THROUGHOUT THE FOLLOWING PROCEDURES.**

### 4.5.1 Test Equipment Required

Digital voltmeter (any Datron Autocal voltmeter)

### 4.5.2 Initial Conditions

Remove Top cover.  
Remove Top ground/Guard assembly.  
Ensure 38V/400V selector is set to 400V.

### 4.5.3 Procedure

- a. Set 4708 Power OFF to connect DVM as follows;
- b. Power Amplifier Assembly Connect DVM in DC function, Lo to  $\nabla$  2C (near Q20) and Hi to Tab of Q4.

**WARNING.** At Power ON (even with Output OFF) the heatsinks are maintained at LETHAL VOLTAGES!  
Use insulated adjustment tool.

- c. Select Power ON .
- d. Positive Heatsink Assembly Adjust R10 for a reading of +120V (5V).
- e. Power OFF, disconnect DVM.

### 4.5.4 Return to Use

Refit Top ground/guard shield and Top cover.

---

## 4.6 CAPACITIVE LOAD TEST

(Refer to *Layout Drawing 480536*)

The AC 1kv current overload detector, on the DC Assembly monitors output current. ERROR OL is displayed when output current limit is exceeded.

After replacing the DC Assembly, the Terminal assembly, AC assembly, PA assembly, Positive or Negative Heatsinks, or the HF transformers it is necessary to ensure the limit level is re-set to account for any capacitance changes. The value of R84 will lie between  $2k43\Omega$  and  $3k65\Omega$ . R84 will be selected from the E96 (1%) series.

### 4.6.1 Test Equipment Required

- a. Test Load ( $1k\Omega$  non-inductive resistor, capable of dissipating 20 Watts).
- b. Digital Voltmeter fitted with AC Volts Ranges (any Datron Autocal multimeter)

### 4.6.2 Initial Conditions

Top cover removed.  
Remove Top ground/guard assembly.  
Ensure 38V/400V power supply selector set to 400V.

### 4.6.3 Procedure

**WARNING THE PROCEDURES INVOLVE THE MEASUREMENT OF LETHAL VOLTAGES. USE EXTREME CARE TO AVOID ELECTRIC SHOCK.**

- a. Ensure 4708 Power OFF.
- b. On DC board remove Link J, and make Link L. DC assembly must be fitted in chassis (not on extender card)
- c. Monitor Link L with respect to  $\nabla 2B$  with scope set to 5V per division.
- d. Connect Load resistor across the 4708 output terminals.
- e. Connect the DVM across the Load resistor and select AC 1kV range on DVM.
- f. Set 4708 Power ON.
- g. On 4708 select AC 1kV Range and adjust OUTPUT  $\updownarrow$  keys for 90V on the OUTPUT display. Select 10kHz range and set frequency to 4kHz. Set OUTPUT ON.
- h. Increment demanded voltage and check that 'Scope goes to zero volts when the DVM indicated between 108V and 112V. Select output OFF.

**WARNING Calibrator Power must be OFF when changing R84. Lethal voltages are present!**

- j. If outside limits set in (h.) reselect R84 and repeat from step (f.).
- k. When correct operation occurs solder in R84 break Link L and replace Link J.

### 4.6.4 Return to Use

Refit Top ground/guard shield and Top cover.

---

## 4.7 QUIESCENT CURRENT ADJUSTMENT - CURRENT/OHMS ASSEMBLY

(Refer to *Layout Drawing No. 480614 and Page 11.8*)

To allow a measurement of quiescent current in the power amplifier stage, its power supply lines are broken and a 0.1 $\Omega$  resistor inserted in series with each 22V supply line. The voltage developed across either of these resistors gives a current measurement. The quiescent current is set by adjustment of R23 on the Current/Ohms Assembly.

### 4.7.1 Test Equipment Required

- a. Digital Voltmeter (any Datron Autocal voltmeter)
- b. Two 2.5-watt resistors, 0.1 $\Omega$ , 10%, wire wound (Welwyn W21 or equivalent)

### 4.7.2 Initial Conditions

- Top cover removed.
- Top ground/guard assembly removed.

### 4.7.3 Procedure

- a. Switch the 4708 Power OFF.
- b. Break the 22V supply connections to the Voltage-to-Current converter power stage by removing connector J1 from the In-guard power supply pcb.
- c. Re-make each 22V supply connection from its female pin on the freed J1 connector to its corresponding male pin on the In-guard P.S pcb, using one 0.1 $\Omega$  resistor in series with each supply line (Red and Brown wires).
- d. Connect the digital voltmeter across one of the 0.1 $\Omega$  resistors fitted in step (c.).
- e. Switch 4708 Power ON. Select AC Current, 1Amp Range, ensure OUTPUT OFF.

**CAUTION** In the following (step f.), use a thin insulated screwdriver.

- f. Carefully adjust R23 on I/ $\Omega$  assembly for a digital voltmeter reading of 10mV  $\pm$ 1mV (equivalent to 100mA through a 0.1 $\Omega$  resistor).
- g. Switch 4708 Power OFF.
- h. Disconnect and remove both 0.1 $\Omega$  resistors and the digital voltmeter from J1. Reconnect J1 to the In-guard Power Supply pcb pins.

### 4.7.4 Return to Use

Refit top ground/guard assembly and Top cover.

---

## 4.8 COMPLIANCE ADJUSTMENT

(Refer to *Layout Drawing 480614 Page 11.8*)

Ensure that the Quiescent Current Adjustment Procedure has been completed (*Section 4.7*).

In the following procedure a DVM is used to measure output current as a voltage developed across a load resistor. Series resistance is then added to one of the power leads to establish a compliance voltage. The change in current output due to compliance is measured and an adjustment made to bring the instrument within manufacturer's specification.

### 4.8.1 Test Equipment Required

- a. Digital Multimeter fitted with AC Volts Ranges. (Datron Instruments model 1081).
- b. Test leads, (each containing a  $22.1\Omega$  resistor).
- c. One 2.5-watt load resistor of  $0.10\Omega$ , 10%, Wire Wound. (Welwyn W21 or equivalent).
- d. A  $1.4\Omega$  resistor to introduce compliance voltage.

### 4.8.2 Initial Conditions

Remove Top cover.  
Remove Top ground/guard assembly.

### 4.8.3 Procedure

- a. Connect the  $0.1\Omega$  load resistor between the 4708 current output terminals (I+/I-).
- b. HF adjustment. Select ACI, 1A full range output at 5kHz. Select OUTPUT ON.
- c. With the DVM, measure the AC voltage across the load and note the reading. Set OUTPUT OFF.
- d. Introduce the  $1.4\Omega$  compliance resistor in series with the I+ lead. Set OUTPUT ON (Test should be done in less than 5 minutes to avoid overheating). Use the DVM to measure the AC voltage across the  $0.1\Omega$  load and note the reading.
- e. Remove compliance resistor. If there is a change of reading  $>10\mu\text{V}$  between (c.) and (d.) adjust R10 to reduce the change of reading to  $<10\mu\text{V}$ . After each adjustment of R10 repeat (c.) to (e.).
- f. LF Adjustment. Complete above procedure, leaving the 4708 as selected (ACI, 1A Full Range), but change frequency to 500Hz and limit to  $5\mu\text{V}$ .
- g. If change of reading in (d.) is  $>5\mu\text{V}$  adjust R31.
- h. If an adjustment was made to R31 repeat complete procedure from (b.) until no further adjustments are required.
- j. Output OFF, disconnect load resistor.

### 4.8.4 Return to Use

Replace Top ground/guard assembly and Top cover.

---

## 4.9 COMMON MODE NULL ADJUSTMENTS

(Refer to *Diagram 480561 Page 11.10-1* & *Diagram 480604 Page 11.18-4*)

The procedure ensures that after replacement of Outguard Power Supply, Mains transformer or Mother Assembly, any power supply noise breakthrough on the Lo or Guard terminals is adjusted to a minimum. Resistor R12 on the Outguard Power Supply Assembly (accessible through a hole in the Top earth shield) is adjusted to minimize the voltage between Lo and Ground. On the Mother Assembly (accessible through a hole in the Bottom ground shield) R25 is adjusted to minimize noise between Guard and Ground.

### 4.9.1 Test Equipment Required

Oscilloscope (with AC input and sensitivity to 100mV/div).

### 4.9.2 Initial Conditions

Remove Top and Bottom covers.  
Ensure all guard/earth screws are correctly tightened.

### 4.9.3 Procedure

- a. Set 4708 to AC 10V range with Output OFF.
- b. Ensure that the OUTPUT display is 0.000,00 V with local guard selected.
- c. Connect the oscilloscope AC input to the 4708 Guard terminal and the oscilloscope Ground to the 4708 Ground terminal.
- d. Locate R12 on the Outguard Power Supply assembly (accessible through the hole in the Top ground/guard assembly)
- e. Select OUTPUT ON and adjust the oscilloscope controls to obtain the line related noise waveform.
- f. Without touching the Top ground/guard assembly, adjust R12 for minimum waveform amplitude.
- g. Select Remote Guard and obtain a noise waveform.
- h. Locate R25 on the Mother pcb assembly through the hole in the Bottom ground/guard assembly
- j. Without touching the Bottom Ground Assembly, adjust R25 for minimum waveform amplitude.
- k. Repeat procedure from step (b.) to step (j.) until minimum waveform amplitude is obtained.
- l. Select OUTPUT OFF. Disconnect the oscilloscope.

### 4.9.4 Return to Use

- a. Refit Top cover.
- b. Refit Bottom cover.

---

## 4.10 SENSE AMPLIFIER ZEROS

(Refer to *Layout Drawing 480844*)

The sense amplifier, situated on the AC Assembly, is provided with access holes located in the Top ground/guard shield. In the following procedure the reading and adjustment steps are always taken with the 4708 OUTPUT ON and at one-tenth of the selected Full Range value.

### 4.10.1 Test Equipment Required

Digital voltmeter  
(Datron Instruments model 1081 or 1071).

### 4.10.2 Initial Conditions

Remove Top cover only.

### 4.10.3 Procedure

- a. Connect the DVM Hi to TP5 on the AC Assembly (accessible via the hole in the upper guard shield). Connect its Lo to the 4708 Lo terminal. On the DVM select the DC 10V range with filter in.
- b. On the 4708 select the AC 100V range, set 10V and 1kHz output. Select OUTPUT ON and adjust R122 for a DVM reading of less than  $200\mu\text{V}$ .
- c. On the 4708 select the AC 10V range, 1V output. Select OUTPUT ON.
- d. Note the DVM reading.
- e. On the 4708 select the 1V range, 100mV output. Select OUTPUT ON.
- f. Note the DVM reading.
- g. Adjust R107 on the AC assembly to set both (d.) and (f.) readings to less than  $200\mu\text{V}$ .
- h. Repeat procedure from (b.) to (g.) until readings are correct and the difference between all ranges is less than  $400\mu\text{V}$  taking polarity into account.
- j. Disconnect the DVM.

### 4.10.4 Return to Use

Refit Top cover.







# **PART 2**

## **TECHNICAL DESCRIPTIONS**

- SECTION 5 Principles of Operation.**
- SECTION 6 Digital, Control and References; Power Supplies**
- SECTION 7 DC Voltage Outputs - Amplitude Control System.**
- SECTION 8 AC Outputs - Frequency Control System.**
- SECTION 9 AC Voltage Outputs - Amplitude Control System**
- SECTION 10 Current Outputs; Resistance.**

# PART 2 TECHNICAL DESCRIPTIONS

## SECTION 5 PRINCIPLES OF OPERATION

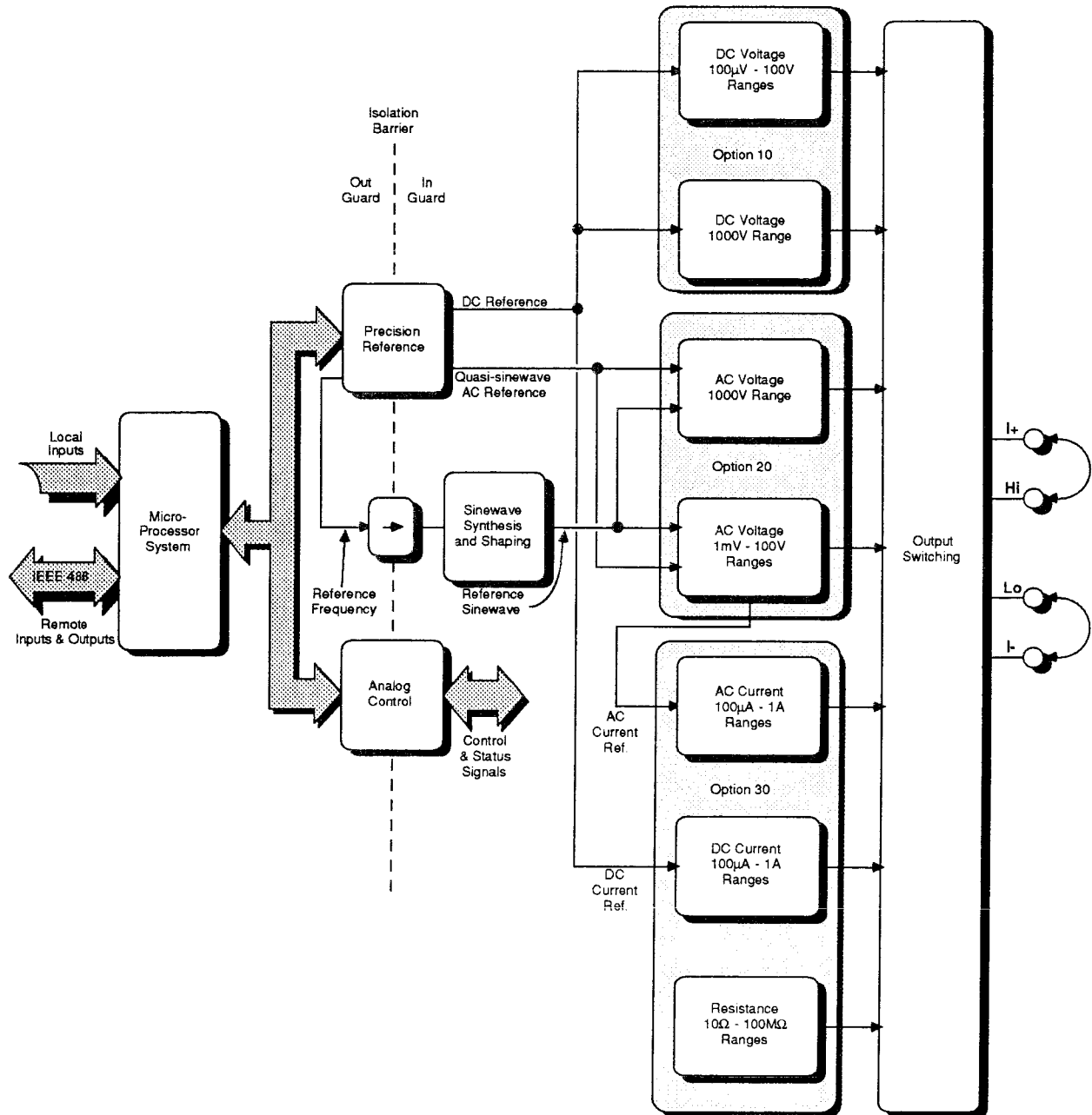


FIG. 5.1 4708 SIMPLIFIED BLOCK DIAGRAM

## 5.1 BLOCK DIAGRAMS

### 5.1.1 SIMPLIFIED BLOCK DIAGRAM

*Figure 5.1* illustrates the general functions and signal flow within the 4708.

### 5.1.2 GENERAL DESCRIPTION

The Datron 4708 Autocal Multifunction Standard mainframe contains just a microprocessor system and IEEE-488 interface. To provide any useful function, one or both of Options 10 and 20 must be installed.

**Option 10** provides the 4708 with the capability of sourcing DC Voltages in decade ranges from 100 $\mu$ V to 1000V, with accuracies and capabilities published in Section 6 of the User's Handbook.

**Option 20** provides the 4708 with the capability of sourcing AC Voltages in decade ranges from 1mV to 1000V, at variable frequencies between 10Hz and 1MHz, with accuracies and capabilities as described in Section 6 of the User's Handbook.

**Option 30** adds the functions of DC and AC current ranges, and eight accurately defined resistor values, in decades.

For DC and AC amplitude control, an adjustable precision reference is derived from a pre-conditioned zener diode.

For AC outputs, the calibrator frequency is synthesized using a crystal-controlled oscillator as a frequency reference.

### 5.1.3 FUNCTIONAL BLOCK DIAGRAMS

*Figures 5.2* (Digital, Control and References), *5.3* (DC/ $\Omega$ ) and *5.4* (AC) break the main functional divisions into smaller blocks.

They can be thrown clear of the handbook to provide a functional overview; they also form an index to other sections of Part 2.

## 5.2 INPUTS

The microprocessor accepts inputs from two main sources:

- The front panel keyboard provides local control inputs.
- The IEEE 488 bus system provides remote control inputs.

## 5.3 DIGITAL OUTPUTS

The microprocessor system outputs digital information to five main areas:

- The front panel displays provide local outputs for monitoring and control.
- The IEEE 488 bus system provides remote outputs.
- The precision reference generator produces an accurate DC reference for output-amplitude control. Sensed DC outputs are scaled and compared against the DC reference directly. Sensed AC outputs are scaled and compared against a 'quasi-sinewave' reference, whose peak value is set by the DC reference.
- The frequency synthesizer and sinewave oscillator together determine the frequency and purity of the AC output sinewave signal.
- Various decoders control function and range selection, internal processes and status monitoring.

## 5.4 PRECISION REFERENCE

(Fig. 5.2)

### 5.4.1 AMPLITUDE REFERENCE

The circuits produce a DC reference voltage which can be set between 0V and  $\pm 20$ V for DC outputs, and between +0.126V and +2.794V for AC outputs. The value of the reference is set by the value on the OUTPUT display, modified in software by range scaling and calibration corrections.

For DC, the range-scaled sense voltage is compared directly with the reference - the resulting error controls the DC output value directly. For AC outputs it determines the amplitude of the 'quasi-sinewave', a stepped waveform which is used as the AC amplitude reference. This operates in the error sensing loop, having a shape whose crest factor closely approaches that of a true sinewave.

The circuitry is divided into four main areas:

- a. The period division comparator, outside guard, consists of a binary counter and comparator, both effectively of 25 bits. The counter is driven by a crystal-controlled clock; the comparator being set by latched data from the microprocessor system.

When the binary count matches the data set in the latches, the comparator produces a switching pulse (reset). The counter fills to overflow point, at which the comparator produces a second pulse (set). Thus accurate mark-period timing is generated.

- b. The switching integrator receives the pulses across guard. They are used to drive solid-state divider switches, chopping the output from a very stable 20V DC Master Reference. The resulting square wave is very accurately defined, both in mark-period ratio and amplitude. Integration of the square wave, by an active low-pass filter with high rejection at the chopping frequency, generates the DC Reference voltage.
- c. For DC outputs, the selected output polarity controls a switch which inverts the DC Reference for negative outputs.
- d. For AC outputs, a negative version of the DC reference is generated by inversion. Both positive and negative versions are passed to the quasi-sinewave generator, which sets the positive and negative inputs to a potential divider, whose centre-tap is tied to reference common.

The outputs from the divider are selected in ten equal time-steps by digital logic, the ratios being selected so as to produce a

periodic signal of quasi-sinusoidal form. The Crest Factor of this signal (Peak value divided by RMS value) is 1.397, close to that for a pure sinewave. The RMS ratio of sinewave to quasi-sinewave is stored during calibration, and reapplied as correction during normal use.

Because the amplitude of the quasi-sinewave depends on the value of the DC Reference voltage, its settling time to a stable value is determined by the 7-pole DC reference filter.

For accurate sine/quasi-sine RMS comparison, it is important that both the quasi-sinewave steps and the comparator sequence are synchronized to zero-crossing points in the sensed output sinewave. This is ensured by first:

including the divide-by-ten logic of the quasi-sinewave generator as part of the range-divider chain for the frequency synthesizer,

and then:

feeding the quasi-sinewave frequency to the comparator to synchronize the ten-step sequence which controls the RMS comparison process.

### 5.4.2 FREQUENCY REFERENCE

When the 4708 is operating in AC function, its internal frequency reference is derived from the 13-bit counter in the Precision Reference out-guard circuitry. The counter is tapped at 16kHz, which is fed directly to the synthesizer to establish the frequency of the VCO oscillation.

For users who wish to lock the output frequency of the 4708 to an external frequency source, a phase-locked loop ensures that the 16kHz reference frequency phase is tied to that of the external Reference Frequency. With correct frequency selection on the front panel, this ensures that the 4708 output frequency locks to the external reference frequency.

This function is performed in the External Reference Frequency Buffer.

## 5.5 ANALOG CONTROL

(Fig. 5.2)

The analog circuitry is controlled by data held in a 48-bit in-guard latch. The microprocessor regularly updates the latch contents, using the serial link to pass the data (through opto-isolators) across the isolation barrier. Certain analog status signals are returned to the microprocessor, also using the serial link.

## 5.6 DC VOLTAGE OUTPUTS

(Fig. 5.3)

### 5.6.1 LOW VOLTAGE - 100 $\mu$ V TO 10V RANGES

#### 5.6.1.1 Power Delivery

The basic DC range of the 4708 is 10V (19.999,999V FS). The 10V range output is derived from a buffered 'Error' amplifier, which compares the sensed output directly with the DC Reference.

For the 1V range, the DC reference is attenuated by 10:1 before being applied to the error amplifier. The error amplifier output is buffered before being applied to the I+ and I- terminals.

For the 100mV range, the 1V DC buffer output signal is reduced by a passive 10:1 attenuator before passing to the Hi and Lo terminals. The I+ and I- terminals are not used.

The 100mV attenuator also serves the 100 $\mu$ V, 1mV and 10mV ranges. Output values on these ranges are set purely by scaling the DC reference in software, and the consequent reduction in output resolution available is matched by the resolution of the OUTPUT display.

#### 5.6.1.2 Sensing

On the 1V and 10V ranges, the input from the Hi and Lo (sense) terminals is applied to the error amplifier.

For the millivolt ranges and the 100 $\mu$ V range, there is no remote sensing. To complete the sense feedback, the 1V DC buffer output is applied directly to the error amplifier, which is configured as for the 1V range.

### 5.6.2 HIGH VOLTAGE - 100V RANGE

The 10V range signal is applied to the 100V power amplifier, which drives the output terminals directly from the VMOS output stage. The sensed signal is attenuated before being applied to the error amplifier.

## 5.7 AC VOLTAGE OUTPUTS

(Fig. 5.4)

### 5.7.1 SINEWAVE SYNTHESIS AND SHAPING

To control AC outputs, the frequency synthesizer and quadrature oscillator together generate a reference sinewave of stable amplitude and high purity.

#### 5.7.1.1 Frequency Synthesis

The user-demanded frequency is related to frequency range selection, and is expressed as a binary number 'n' by the microprocessor. It is passed into guard together with binary-coded frequency-range data, to control the frequency of the synthesizer.

The binary counter in the reference divider is synchronized to the 4.096MHz master crystal-controlled clock. This counter outputs a 16kHz frequency reference signal to the synthesizer, where it is divided by two to 8kHz.

In the synthesizer, binary subdivisions of 'n' switch the capacitors of a voltage-controlled oscillator, adjusting its relaxation time-constant so as to cover five possible frequency bands within each frequency range. The VCO output frequency is divided by 'n', then phase-compared with the 8kHz reference. The integrated output from the phase comparator controls the charge and discharge current of the capacitors in the VCO.

Thus the VCO frequency is adjusted to:  $n \times 8\text{kHz}$ .

The frequency range data is decoded and used to define division ratios in a series of frequency dividers, which act on the output from the VCO. The result is the user-selected frequency, to an accuracy of 100ppm.

#### 5.7.1.2 Sinewave Shaping

The quadrature oscillator is approximately tuned to the user-selected frequency by the binary word 'n', together with the decoded frequency range data, which combine to switch its circuit constants. The oscillator output is applied to a second phase comparator, and referred to the synthesizer frequency. The comparator output adjusts the oscillator frequency to that of the synthesizer.

The quadrature oscillator feedback is conditioned to ensure that its unity loop gain and its 360° loop phaseshift occur together, only at a specific amplitude, and at the synthesized frequency.

The oscillator output passes as reference sinewave to the VCA.

## 5.7.2 VOLTAGE-CONTROLLED AMPLIFIERS

The output from the quadrature oscillator is applied to two cascaded voltage-controlled amplifiers. The gain of the second of these (the 1V buffer) is adjusted in coarse steps; the gain of the first being adjusted in response to the error between the scaled output amplitude, and that of the quasi-sinewave reference.

The settling curve of the 7-pole filter in the precision reference divider is imposed on the 1V buffer slew rate, by using the filter's DC reference output to control the coarse gain. This signal is changed into a 10-bit word by an analog-to-digital converter, whose digital output adjusts the input resistance of the 1V buffer in steps of 1000ppm of Full Scale. As the 1V buffer is part of the error loop, this adjustment injects an undesirable scaling into the loop. Therefore, to correct the loop gain, the same 10-bit word is used to apply inverse scaling to the error signal from the comparator, before it reaches the first VCA.

## 5.7.3 LOW VOLTAGE - 1mV TO 10V RANGES

### 5.7.3.1 Power Delivery

On the 1V range, the output from the 1V buffer is passed to the I+ and I- terminals directly.

For the 10V range, the 10V amplifier (a X10 amplifier on the Power Amplifier assembly) is inserted between the 1V buffer and the I+ and I- terminals.

For the millivolt ranges, the 1V buffer output signal is reduced by switched, passive attenuators before being output via the Hi and Lo terminals.

### 5.7.3.2 Sensing

On the 1V range, the input from the Hi and Lo (sense) terminals is applied to the non-inverting input to the 1V/10V sense amplifier, which acts as a voltage follower.

For the 10V range, the sense amplifier is configured as a divide-by-ten inverter.

For the millivolt ranges, there is no remote sensing. To complete the sense feedback, the 1V buffer output is input directly into the sense amplifier, which is configured as for the 1V range.

## 5.7.3.3 Sine/Quasi-Sine RMS Comparator

The output sinewave is sensed and scaled to 1V levels before being applied to the comparator, which compares it with the reference quasi-sinewave to generate a DC signal whose value represents the output RMS error.

In a strict sense, this circuit does not compare RMS values directly. Instead, it compares the magnitudes of the mean-squares of its two inputs, but if these are equal, then the RMS values are equal. The error loop gain is virtually linear, due to the scaling applied to the error amplifier.

A cycling sequence is continuously imposed, each cycle having a duration of ten quasi-sinewave periods. During the first cycle:

- a. the reference quasi-sinewave is first squared and integrated as an analog DC signal (REF), which is memorized in a sample-and-hold circuit;
- b. the sensed sinewave input is squared, the (REF) value is subtracted, and the result is integrated and memorized as the DC (SIG) signal in a second sample-and-hold circuit;
- c. the DC (SIG) value is output as the mean-square AC error signal.

On subsequent cycles, the (REF) value is also subtracted from the squared quasi-sinewave, so that both (REF) and (SIG) signals converge to steady states as the 4708 output reaches the demanded voltage.

The mean-square AC error signal is passed through the scaled error amplifier to control the VCA.

## 5.7.4 HIGH VOLTAGE - 100V RANGE

The high voltage loop uses much of the low voltage circuitry; the only differences being in the power amplification to the range voltages, and the attenuation of the sensed output down to 1V range levels.

### 5.7.4.1 Power Delivery

On the 100V range, the 100V amplifier (on the Power Amplifier assembly) is included in the output path from the 1V buffer to the I+ and I- terminals.

### 5.7.4.2 Sensing

The 1V/10V sense amplifier is not used on the 100V range. Instead, a separate inverting sense amplifier reduces the sensed sinewave by a ratio of 100:1.



## 5.8 1000V RANGES

### 5.8.1 DC 1000V RANGE

(Fig. 5.3)

#### 5.8.1.1 Power Delivery

An AC voltage-amplifier/rectifier system is employed to transform the DC Reference levels up to the high voltages required for the DC 1000V range.

The error voltage, which results from comparison between the scaled sense voltage and the DC Reference, controls the amplitude of a 16kHz AC signal output from a DC modulator. The modulated signal drives the HF step-up transformer via the 100V AC Power Amplifier. A high voltage rectifier and elliptical filter convert the AC transformer output into the DC voltage output. Output polarity is determined by a changeover switch, inserted between the rectifier and the filter.

#### 5.8.1.2 Sensing

The sensed signal is reduced to DC Reference levels by an extensively-guarded precision attenuator, before being applied to the error amplifier.

### 5.8.2 AC 1000V RANGE

(Fig. 5.4)

#### 5.8.2.1 Power Delivery

The output from the AC 1V Buffer is pre-amplified by the 1kV error amplifier, before being applied to the 100V power amplifier. The 100V amplifier output is transformed up by 1:6, then passed to the I+ and I- terminals. The error amplifier receives feedback from the transformer secondary.

To cover the full frequency range, two transformers with a frequency overlap are employed. The HF transformer is selected as frequency is increased above 3kHz, but the LF transformer is used as frequency is reduced below 3.3kHz. A second feedback loop from the LF transformer primary only, eliminates any saturation of its magnetic circuit.

#### 5.8.2.2 Sensing

The amplifier used to sense the 100V range is also employed for the 1000V range. Although the basic amplifier is common to both, each range has its own input attenuator and feedback ratio. On the 1000V range this ratio is 550:1, and software scales the reference divider digital input to set the quasi-sinewave to values which at full scale are equivalent to 1100V RMS. The amplifier output is compared with the quasi-sinewave in the RMS comparator, the resulting error signal being used to control the output from the VCA.

## 5.9 OPTION 30: DC/AC CURRENT Outputs; RESISTANCE Outputs

Option 30 adds a separate PCB assembly which introduces both DC and AC Current functions, together with the Resistance function.

### 5.9.1 DC CURRENT (Fig. 5.3)

The DC Reference is switched to drive a voltage-to-current converter (this converter is the current amplifier used for the AC Current function).

The various ranges are selected by digital control signals from the microprocessor system. The converter shunts are switched into the output circuit to scale the current.

### 5.9.2 AC CURRENT (Fig. 5.4)

The ACI Reference signal is obtained by activating either the AC 10V range (used for the 1mA, 10mA and 100mA ranges), or the AC 1V range (for the 100 $\mu$ A and 1A ranges). This is switched to drive a voltage-to-current converter, followed by a current amplifier.

Range selection is the same as for DC current output.

### 5.9.3 10A CURRENT RANGE (Fig 5.3, 5.4)

If the 4708 is fitted with Option 30 (the resistance and current option), then it has the capability of slave mode control over the model 4600 Autocal Transconductance Amplifier, extending the AC and DC Current functions to effectively include a 10A range, controlled from the front panel or IEEE-488 interface of the 4708. An analog bus to the model 4600 carries the reference voltages (either DC or AC) which the 4600 will 'convert' to an output current, while a digital bus carries status and control signals between the 4600 and the 4708.

### 5.9.3 RESISTANCE (Fig. 5.3)

Eight fixed precision resistors, in a decade range (from 10 $\Omega$  to 100M $\Omega$ ) are switched to the output terminals. The resistors are fully floating, being selected by relays under the control of digital signals from the microprocessor system.

## 5.10 DATRON 'AUTOCAL'

Precision components are used in all critical locations. Individual analog corrections for frequency-response, gain and offset errors are not applied. Instead, the accumulated errors are measured during calibration, and stored digitally in non-volatile memories.

In subsequent use, characteristic equations are applied to the stored errors to generate software corrections, which are then used to modify the reference divider ratios and so compensate for the accumulated analog errors.



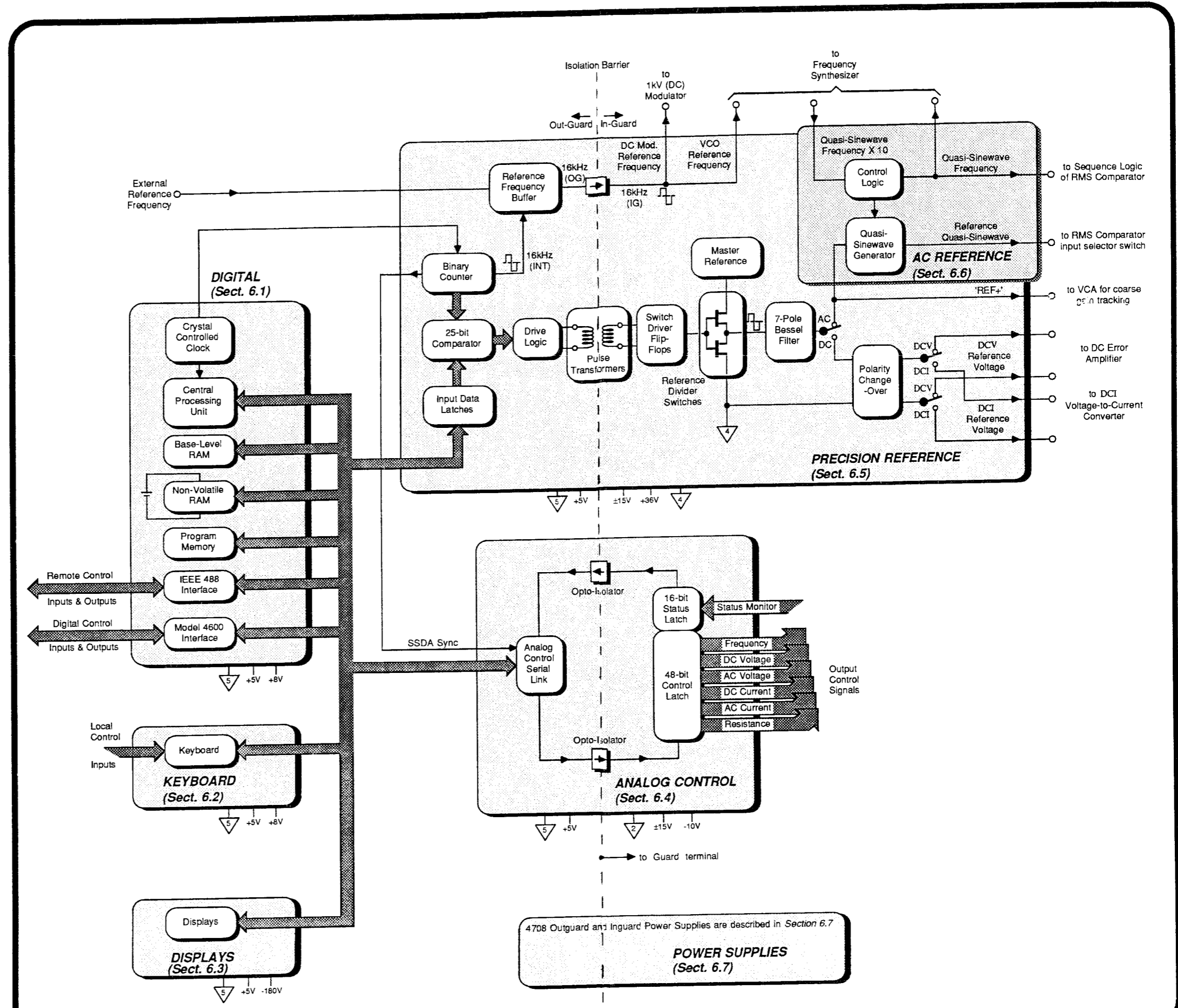


FIG. 5.2 4708 BLOCK DIAGRAM - DIGITAL, CONTROL AND REFERENCES



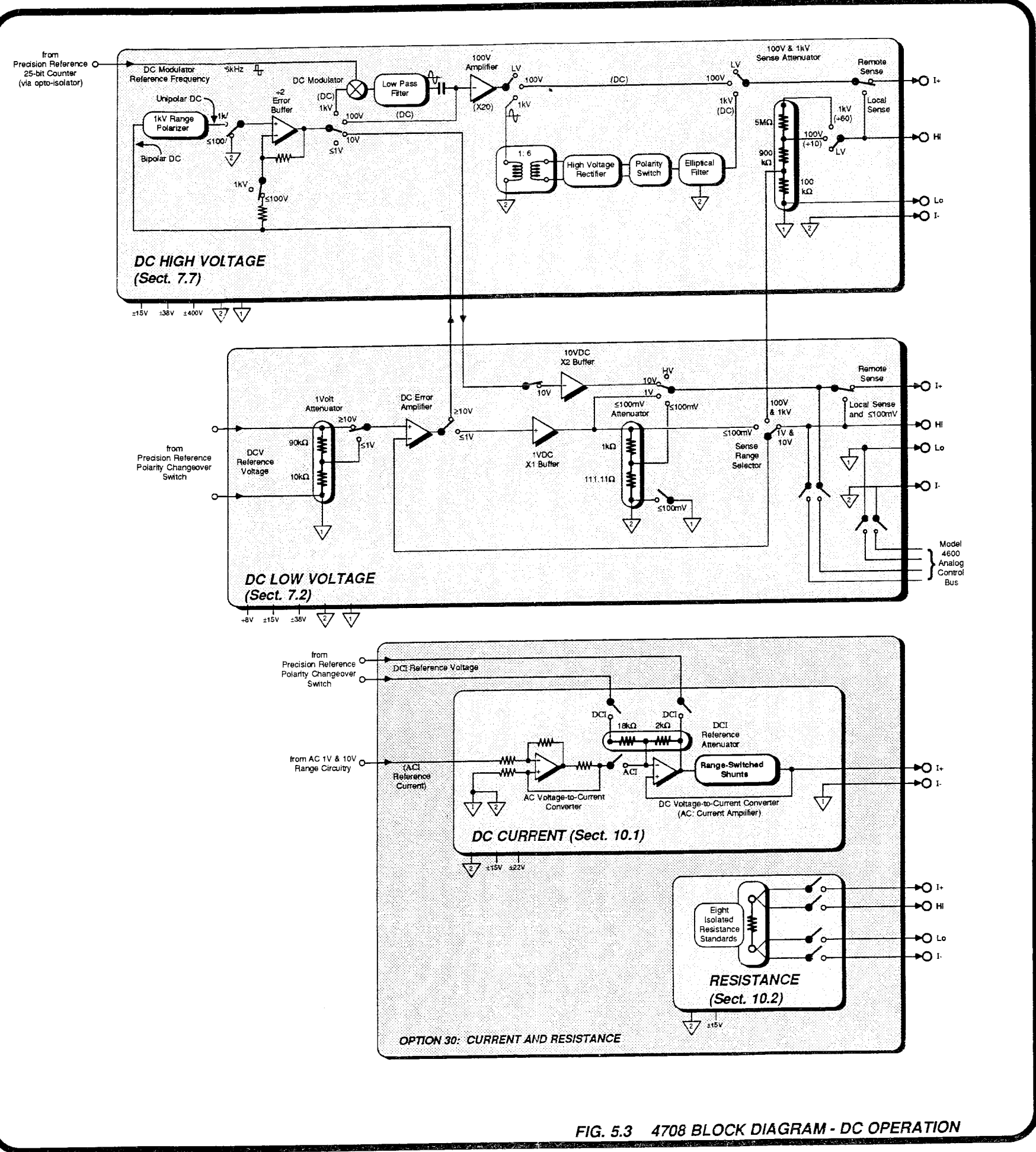


FIG. 5.3 4708 BLOCK DIAGRAM - DC OPERATION



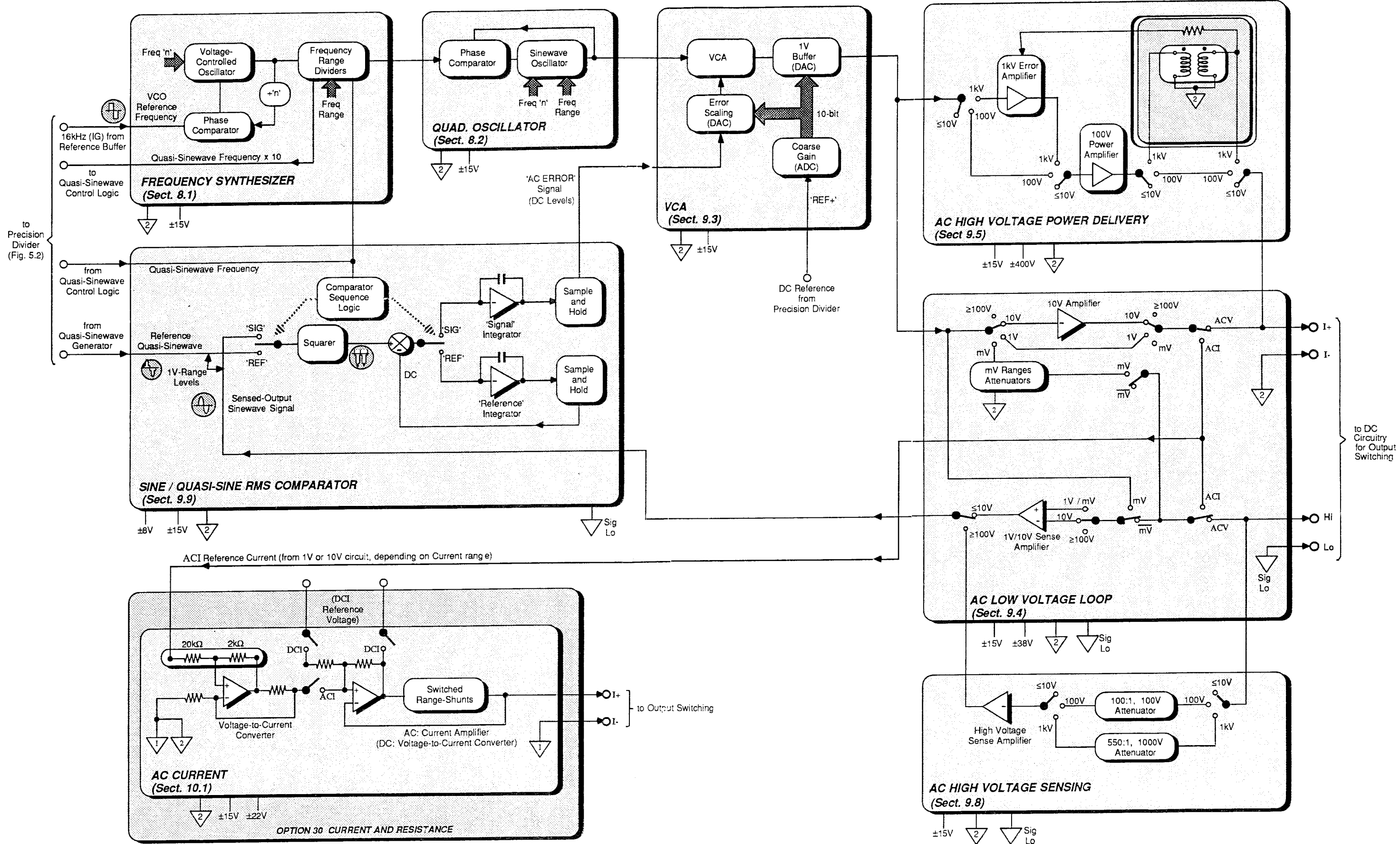


FIG. 5.4 4708 BLOCK DIAGRAM - AC OPERATION





# SECTION 6

## DIGITAL CIRCUITS; REFERENCE CIRCUITS; POWER SUPPLIES

### 6.1 DIGITAL

The circuits described in this sub-section perform the following functions:

- Central processing, with supporting memory, for management of instrument operation.
- Storage of calibration constants in non-volatile memory.
- Generation of Master clocks, with clock-waveform shaping.
- Address decoding to generate control signals.
- Controlled power-up and power-down of digital circuits.
- Servicing IRQs from asynchronous sources.
- Interfacing the instrument to the IEEE 488 bus.

The functions are performed by circuits located mainly on the Digital Assembly (400796). Master Clock generation, synchronization and division is carried out by circuits on the Analog Interface Assembly (400648).

*Fig. 6.1* shows the arrangement and main interconnections of the central digital circuits.

#### 6.1.1 GENERAL

The instrument is managed by a 6802-series micro-processor system, under the control of an operating program held in 26k bytes of EPROM. All front and rear panel controls provide direct inputs to the system, except for the Power ON/OFF switch and Safety Reset Key. The system ensures that the processor reverts to a safe state on power-up and power down.

Work space and stack is provided by 2k bytes of random-access memory (RAM). A further 2k bytes of CMOS RAM act as a non-volatile memory to hold calibration constants, powered by a back-up Lithium battery when the instrument is turned off.

#### 6.1.1.1 Synchronous Operation

The operating program manipulates the internal circuitry by activating control signals. These result from providing peripheral decoders with specific address combinations. The program is run at 680kHz cycling frequency, originally derived from a 4.096MHz master crystal oscillator.

#### 6.1.1.2 Asynchronous Operation

Any Key operation (other than Safety Reset), or one of two internal conditions, will initiate an asynchronous interrupt (IRQ) which suspends the CPU's current task. The CPU absorbs the new instructions, rearranges its schedule to conform to the demanded new configuration, then continues with the interrupted task until it is completed. Finally it returns to the initial operation of the amended schedule and proceeds synchronously.

Three main sources of interrupt are used:

- Remote Command via the Digital Interface
- Keyboard Command
- Real-time Clock Pulses (8ms intervals)

The CPU identifies the source by polling the data bus each time it receives an IRQ interrupt.

#### 6.1.1.3 Output Generation

From user inputs of output value, frequency, error and calibration constants, the CPU computes a binary value to a resolution of 25 bits. This is used to adjust the mark/period ratio of the Reference Divider switch which ultimately controls the Working Reference Voltage for the output analogue circuitry.

#### 6.1.1.4 Display Refresh

The gas discharge display is continuously refreshed by cycling through character data stored in a separate display-image RAM. To alter the display the processor merely alters the contents of the RAM.

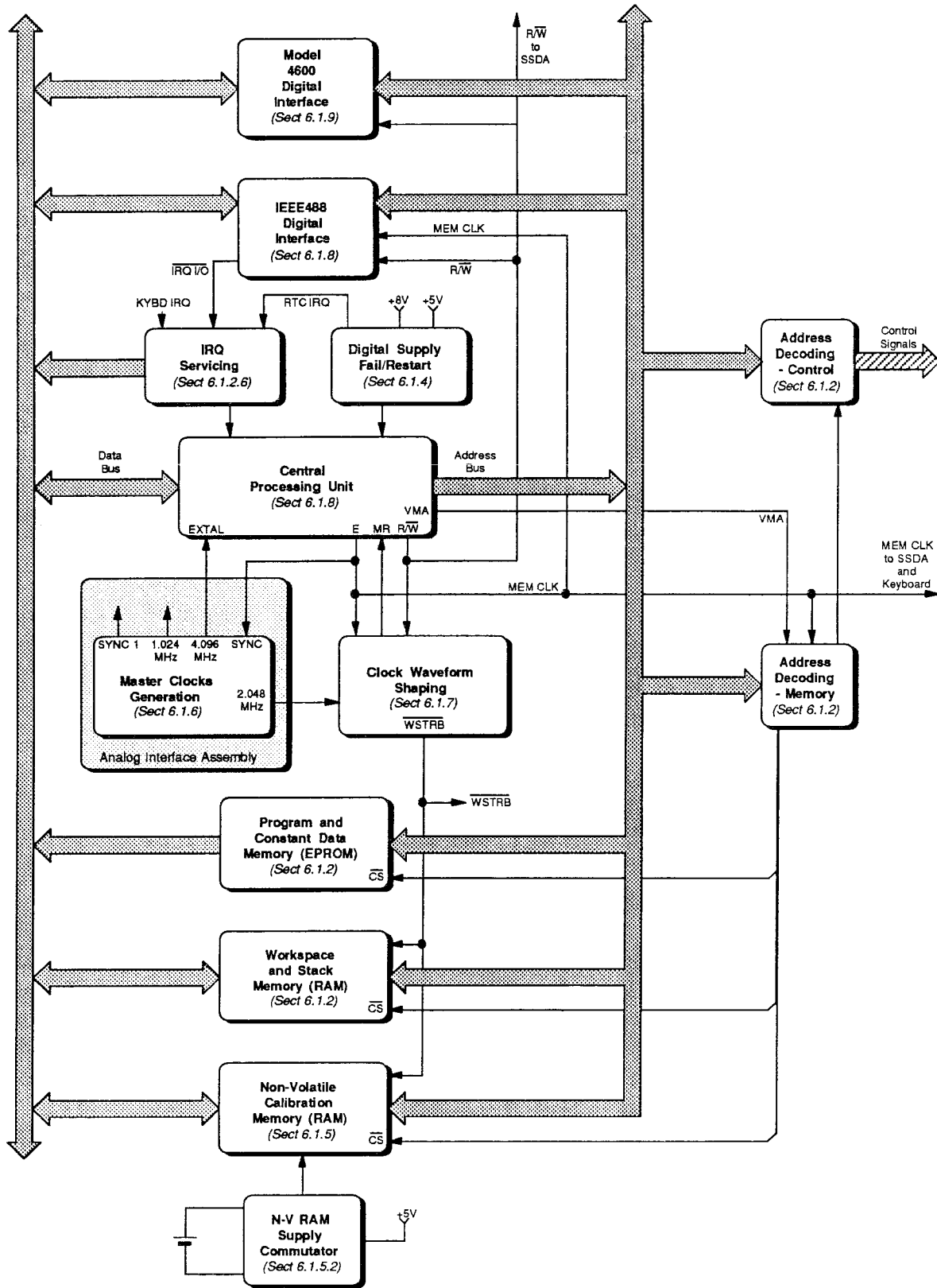


FIG. 6.1 DIGITAL FUNCTION BLOCK DIAGRAM

## 6.1.2 CENTRAL PROCESSOR and PROCESSOR MEMORY

(Circuit Diagram 430796 Pages 11.2-2 and 11.2-3)

A 6802 microprocessor (M34), together with its memory, controls communication throughout the whole instrument.

### 6.1.2.1 Memory

The memory can be split into four main areas, the microprocessor RAM not being used:

- **Program Memory** (M18, M19, M20 and M21) defines and controls the operational functions of the whole instrument system.
- **Constant Data Memory** (held in EPROM with the Program Memory) - stores fixed factors used in processing; such as the key mapping tables, and the instrument specification tables that are used in 'Spec' Mode.
- **Non-Volatile Calibration Memory** (M23) - stores all the calibration constants used to correct each output value, which are determined during the 'Auto-cal' cycle.
- **Volatile Operating Memory** (M22) - used for volatile data storage such as display images, computation results and present output value. This memory is also used for scratch pad operations.

Separate memory is used for special purposes, such as the Display Image RAM M16 (which is synchronously loaded but asynchronously read); the storage areas in the IEEE 488 GPIA (M29) and the Keyboard Interface (M6 on Front Assembly); and the Memory Address decoder PROM (M3). These are described in later sub-sections.

### 6.1.2.2 Central Processing Unit

(Circuit Diagram 430796 Page 11.2-2)

The MC6802 (M34) is a monolithic 8-bit micro-processor, with interrupt and clock-stretching facilities. It is driven by a single phase 4.096MHz square wave generated by the Master Clock X1 in the Analogue Interface Assembly. (This clock synchronizes the reference divider switch with the processor cycle).

### 6.1.2.3 Address and Data Lines

Address lines A<sub>15-11</sub> are decoded as chip-select signals for the RAM/ROM circuit, lines A<sub>13-0</sub> are connected to the instrument address bus. Data lines D<sub>7-0</sub> are linked via programming plug JL1 to the instrument data bus.

### 6.1.2.4 E, MR and MEMCLK

The 4.096MHz clock input at M34-39 (EXTAL) is divided by four and used as output at M34-37 (E). Although the natural frequency of E is 1.024MHz, the action of the waveform shaping input to MR reduces it to approx. 680kHz as MEMCLK for the IEEE 488 interface; and for the Analogue-Interface and Front assemblies.

### 6.1.2.5 $\overline{\text{NMI}}$

The internal switch S1 provides a non-maskable hardware interrupt which has two functions.

- With the external CALIBRATION switch set to RUN,  $\overline{\text{NMI}}$  initializes the processor system.
- With the CALIBRATION switch set to ENABLE,  $\overline{\text{NMI}}$  clears the non-volatile calibration memory (M23) before initializing the processor system.

### 6.1.2.6 $\overline{\text{IRQ}}$

Any one of three asynchronous Interrupt Request signals are able to activate the maskable  $\overline{\text{IRQ}}$  input at M34-4:

- **RTC IRQ** is a real-time clock occurring every 8ms to provide timing information for the processor's monitoring facility.
- **KYBD IRQ** occurs each time a front panel key is pressed. (Not Safety Reset).
- **IRQ IO** occurs when the IEEE 488 Interface has a transaction to communicate to the processor.

D1, D2 and Q1 constitute a DTL OR-gate to isolate the IRQ inputs. On receipt of Logic-0 on pin 4, M34 stores its register contents in stack RAM, and vectors to IRQ service addresses FFF8 and FFF9, saving the current processor environment.

The IRQ Service Routine addresses M51 and M52, setting Logic-0 at M52-9 which enables the tristate buffers M36 and M37 (at M36-1 and 15, M37-15). This sets IRQ data bits D<sub>5</sub>, D<sub>6</sub> and D<sub>7</sub> on the data bus so that the processor can identify the source of the IRQ and select the appropriate sub-routine to service the interrupt request.

The IRQ inputs are released as part of the service sub-routine, and after its completion, the processor recovers its environment from stack RAM and proceeds with the interrupted operation.

### 6.1.2.7 Software Interrupt

The 6802 will also recognise Opcode 3F on the data bus as an interrupt request ('Implied' addressing mode). This code is hard-wired via R9, R10 and AN3 onto the data bus so that if the CPU tries to access a non-available address, the floating bus will be pulled to 3F, initiating the software interrupt. The CPU vectors to FFFA and FFFB, whose contents cause the 6802 to re-initialize the system.

### 6.1.2.8 Read-Write Line $\overline{\text{R/W}}$

The processor sets the  $\overline{\text{R/W}}$  line to Logic-1 when it is in Read state, and Logic-0 when it has data to write into the addressed device. The  $\overline{\text{R/W}}$  signal is passed only to the SSDA on the Analogue Interface assembly, and to the IEEE 488 GPIA (M29). All other devices which require read-write control, operate from the  $\overline{\text{RD STRB}}$  and  $\overline{\text{WRT STRB}}$  signals generated from  $\overline{\text{R/W}}$  by M49/50.

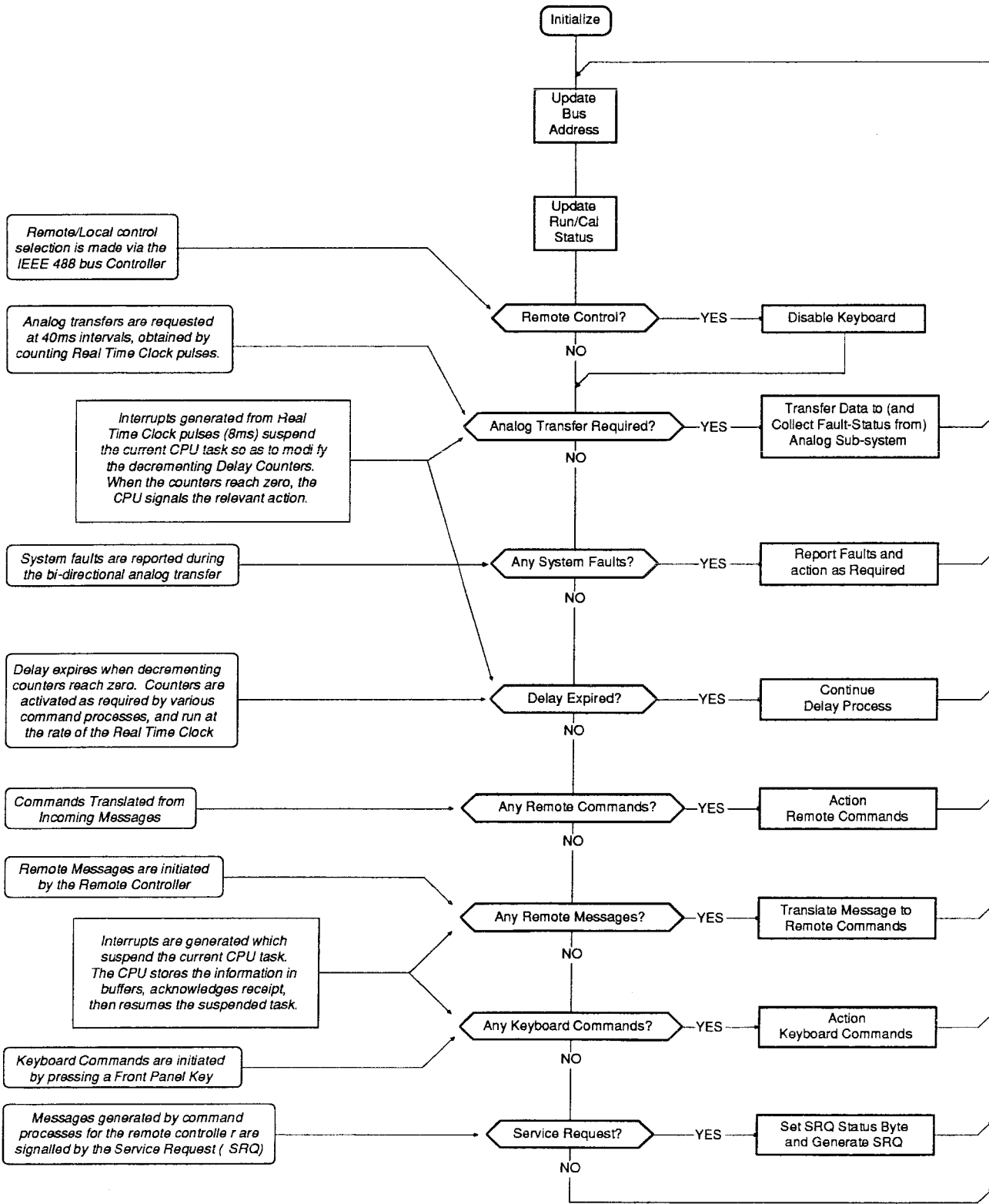


FIG. 6.2 SOFTWARE OVERVIEW

### 6.1.3 SOFTWARE OVERVIEW

The software management organization is shown in *Figure 6.2*. The machine cycle progresses through the task schedule as illustrated, being interrupted by the demands of activities dependent on real time, and those dedicated to local and remote commands. Real time and

command interrupts suspend the current activity of the processor so that the immediate task can be serviced. The processor then resumes the suspended task and continues with the programmed routine, accounting for any alterations introduced by the interrupt.

---

### 6.1.4 DIGITAL SUPPLY: FAIL/RESTART CIRCUITRY

Power-up, restart and shut-down of the digital circuitry are performed in a controlled sequence to safeguard against both hardware and software failures. The Safety Monitor ('Watchdog' - *Section 6.4.6*) maintains a continuous surveillance of the software management, and shuts down the instrument in the event of a failure either in the digital control circuits or in software management.

#### 6.1.4.1 Power-up Sequence (Circuit Diagram 430796 Page 11.2-2)

Power-on is first sensed by the Supply Fail Detector circuit. This draws its supplies from the +8V DC unregulated supply, which is the first of the power supplies to rise to a working level. The comparator circuit of M28 has a nominal threshold of +7.1V, above which a good working level of the +5V DC supply is assured.

As the +8V supply rises, but still below +7V, M28-2 follows until the Zener D6 avalanches, when it is held at +2.45V. At this level M28-3 voltage is less than 1V, so M28-1 remains at 0V holding the 'D' input of M8-5 at Logic-0 and M7-3 at Logic-1. Thus M8 and M9 are held in reset, initiating and maintaining the following states:

- a. M8-2 ( $\bar{Q}$ ) at Logic-1, PWR ON RST active. This signal is fed to the Front Panel assembly, holding the keyboard encoder M6 in reset, and disabling the LED cathode driver decoder M4.
- b. M6-4 at Logic-0,  $\overline{\text{PWR ON RST}}$  active. This signal holds the microprocessor M34 in reset state. The VMA output at M34-5 is held at Logic-0, disabling address decoder M3, setting all M3 address outputs to Logic-1. This combination sets M5-13 to Logic-1, but the Logic-0 at M6-2 sets Logic-1 at M5-11, ultimately setting Logic-1 at M7-2.

The Logic-0 of  $\overline{\text{PWR ON RST}}$  also holds the IEEE 488 GPIA M29 (*page 11.2-4*) in reset. It is also fed to the Analog Interface assembly where it holds the SSDA M44 in reset.

When the +8V supply rises above about +7.1V, M28-3 voltage rises above the +2.45V on M28-2, so M28-1 rises to place a Logic-1 both on M8-5 (D input) and M7-1. M7-3 thus falls to Logic-0, removing the resets from 14-bit counter M9 and restart flip-flop M8. So M8 is enabled to receive its clock from M9, which itself starts to count its own 2.048MHz clocks.

At full count, 8ms after M9 is enabled, M9-3 clocks M8. As M8 'D' input is already at Logic-1, this is clocked to M8-1 (Q), with Logic-0 to M8-2 ( $\bar{Q}$ ). The PWR ON RST and  $\overline{\text{PWR ON RST}}$  signals revert to their inactive states, and start-up proceeds:

#### a. PWR ON RST at Logic-0:

On the Front assembly, enables keyboard encoder M6 and LED cathode driver decoder M4.

#### b. $\overline{\text{PWR ON RST}}$ at Logic-1:

- i. Removes reset from CPU M34, allowing the software to initialize; and also removes the reset from the IEEE bus controller M29 (*page 11.2-4*).
- ii. Removes the reset from the SSDA M44 on the Analog Interface assembly.

#### c. M8-1 to Logic-1:

- i. Provides an enabling input to M10-1 (See Non-Volatile RAM Supplies - *Section 6.1.5*).
- ii. Triggers monostable M53-4. This monostable has a relaxation period of 470ms, during which time it holds the  $\overline{\text{FP RST}}$  output at Logic-0. On the Reference Divider assembly this allows the Watchdog circuits to reset. (See *Section 6.4.6*)
- iii. Enables the 'Real-Time Clock' IRQ via M7-13 and flip-flop M8-10. The actions of M9, M8 and M51 interrupt the software routine every 8ms. 'RTC IRQ' sets five external states onto lines D<sub>4-0</sub> of the Data bus (M36 and M37), and forces the CPU to observe them.

Address decoder M51-5 is normally held at Logic-1, so the Logic-1 at M7-11 and M8-10 allows M9-3 clock to affect the RTC IRQ output at M8-13. For so long as the +8V supply holds above +7.1V, M9 continues cycling through its full count, clocking M8-11 to initiate the RTC IRQ at 8ms intervals.

The CPU terminates each RTC IRQ service sub-routine by addressing M51, pulsing M51-5 (M7-12) to Logic-0 (Real-time clock reset 'RTC RST'). M7-11 and M8-10 are pulsed to Logic-1, resetting M8-13 (RTC IRQ) to Logic-0. At the next full count of M9; M8-13 is once again clocked to Logic-1, initiating another RTC IRQ.

Pulses from M9-3 regularly clock the binary state of M8-5 through to M8-1, monitoring the supply status. When running normally, M8-5 and M8-1 are both at Logic-1. If the supply fails, M8-5 reverts to Logic-0, but M7-1 at Logic-0 provides a fast reset setting M8-4 to Logic-1 without waiting for the next clock pulse. M7-3 also resets the 8ms counter to zero count at M9-11.

#### 6.1.4.2 CPU Re-start

(Circuit Diagram 430796 page 11.2-2)

Memory addressing by the CPU is monitored by the NAND logic of M4, M5 (four elements) and M7-3. In the correct addressing sequence there are two basic conditions:

- **Invalid memory address:**  
CPU VMA = Logic- $\emptyset$ ,  
and M3 outputs (D $\emptyset$ -7) = Logic-1.
- **Valid memory address:**  
CPU VMA = Logic-1  
CPU E = Logic-1  
M3 outputs (D $\emptyset$ -7) = One address line set to Logic- $\emptyset$

Both these conditions disable M5-11, setting a Logic- $\emptyset$  at M7-3 which allows the clock M9 and flip-flop M8 to function normally. The possibility of a glitch occurring at the change-over between the two conditions is gated from the control line by switching at M5-5.

Incorrect addressing sequence in the CPU would be shown by:

- CPU VMA = Logic-1, and E = Logic-1, the CPU indicating that it has selected a valid external address;
- All M3 outputs = Logic-1, no address is selected.

This situation is most likely with a software failure. The logic control path via M4 and M5 now gives a Logic- $\emptyset$  at M7-2 and thus a Logic-1 at M7-3 which:

- Resets counter M9 to zero;
- Forces M8-1 to Logic- $\emptyset$ . This forces RTC RST at M7-11 and removes an enable from M10-1.  
(See Non-Volatile RAM Supplies *Section 6.1.5* )
- Forces M8-2 to Logic-1. This change:

Resets the CPU by M34-40 to Logic- $\emptyset$ . VMA is forced to Logic- $\emptyset$  which in its turn removes the reset from M9-11 and M8-4 via M6-2 (Logic- $\emptyset$ ), and the M4/M5/M7 control path.

Makes PWR ON RST and  $\overline{\text{PWR ON RST}}$  signals active, thus resetting the other software-controlled areas.

After 8ms from CPU reset, flip-flop M8-3 is triggered from clock M9. M8-1 and M8-2 change state and the start-up sequence proceeds again.

## 6.1.5 NON-VOLATILE RAM

### 6.1.5.1 'NV INHIBIT' Signals

(Circuit Diagram 430796 pages 11.2-2 and 11.2-3)

Chip-select to the non-volatile memory M23 is inhibited during power-up, re-start and power-down operations, by the logic signal 'NV INHIBIT' being set to Logic-1. During normal running this signal reverts to Logic-0. With the  $\overline{\text{NV INHIBIT}}$  signal at Logic-1 (M10-4) during normal running; write access to the NV RAM is available, but only enabled if the calibration security keyswitch on the rear panel is set to ENABLE. The NAND logic gates M10, used to control the inhibit, remain powered from the RAM standby supply after power-down.

Conditions for normal running are as follows:

- Supply fail detector circuit provides a Logic-1 (supplies valid) output to opto-coupler M11. This action causes its optically-coupled transistor to conduct and hold M10-2 at Logic-1.
- M10-8 is held at Logic-1 (to +5V via R6).
- M10-1 is held at Logic-1 by flip flop M8-1.

The above conditions ensure a Logic-1 output from M10-10 (by holding  $\overline{\text{NV INHIBIT}}$  inactive).

During power-up,  $\overline{\text{NV INHIBIT}}$  is held active until the power supplies have settled and the CPU has gained control of memory:

The input to M10-8 is delayed on the +5V supply by the time-constant C8, R6. Also, the input to M10-1 is held at Logic-0 by flip-flop M8-1 until the CPU reset is removed.

At power-down, or in the event of a supply failure,  $\overline{\text{NV INHIBIT}}$  becomes active before +5V supply fails:

The first indication of supply failure is made by supply fail detector M28 output going to Logic-0. This cuts off the opto-coupler M11 which takes M10-2 to Logic-0. M10-8/12/13 are held at Logic-1 by the +5V supply, thus M10-9 is taken to Logic-1 and M10-10 to Logic-0 ( $\overline{\text{NV INHIBIT}}$  active).

In the event of a CPU reset, the  $\overline{\text{NV INHIBIT}}$  is made active for the period of reset by the switching action of M8-1 and M10-9.

### 6.1.5.2 Supply Commutator

(Circuit Diagram 430796 page 11.2-3)

This circuit provides the non-volatile RAM M23 with a battery-driven standby supply when the instrument is in the power-down condition. It also ensures continuity of supply during the change-over period between normal (line) operation and standby, minimizing battery current leakage.

In the power-down condition, the battery powers M10 and M23, returning from battery common (TP13) via D7 and R60. The battery common is isolated from the general common 5A by transistor Q2, which is cut-off.

During power-up, M28 is powered from the +8V supply before the +5V supply voltage becomes established. As long as the +5V supply voltage is less than the battery voltage, Q3-4 is biased negatively, and Q3 is unbalanced in favour of heavy conduction through Q3-6. M28-5 is held low, and M28-6 high as the +5V supply voltage increases, so M28-7 remains at Common-5A potential, and opto-coupler M39 is not energized. Q2 stays off, maintaining isolation of the battery supply from Common-5B. M10 and M23 remain powered from the battery.

As the +5V supply voltage increases, D7 cathode potential rises, reducing Q3-4 bias, reaching zero when the supply voltage is equal to the battery voltage (less than 10mV is developed across R60).

When the +5V supply voltage exceeds the battery voltage, Q3 becomes biased in favour of heavy conduction through Q3-2, pulling M28-6 low and reversing the differential input to M28. M28-7 rises to the +8V rail and energizes the opto-coupler M39, which switches Q2 on, connecting common-5A to the battery common. M10 and M23 are now powered from the +5V supply and the standby battery is isolated by reverse-biased diode D7.

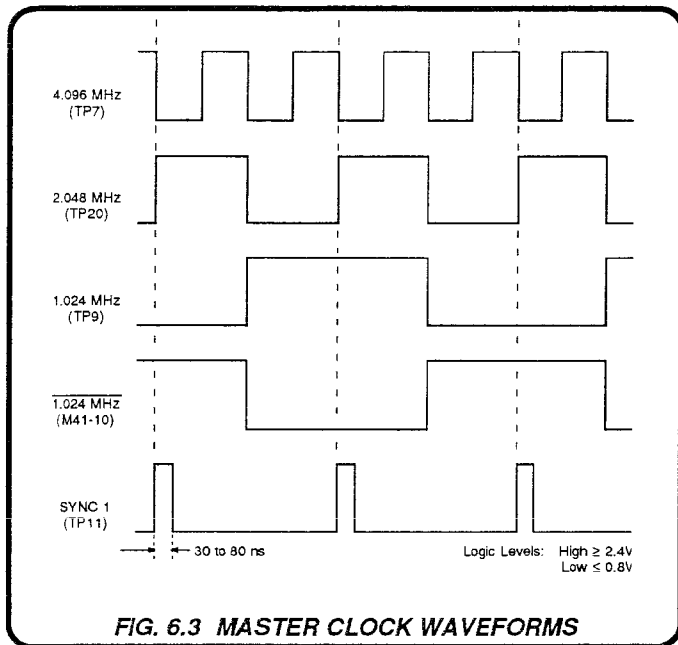
During power down, Q3 compares the +5V supply against the battery, switching Q2 off via M28 and M39 when the +5V supply voltage falls below the battery voltage, and the non-volatile RAM supply commutates to standby battery. Alternatively, Q2 is switched off by failure of the +8V supply to M28 if this occurs before the +5V supply voltage falls below the battery voltage.

Eventually the +5V and +8V supplies both fall to zero, the battery provides the supply to the non-volatile RAM, and battery common is isolated from Common-5A by Q2.

## 6.1.6 MASTER CLOCK GENERATION

(Circuit Diagram 430648 page 11.3-3)

(Refer to Fig. 6.3 for waveforms)



The master clock generator is based on crystal oscillator X1 which provides a precision 4.096MHz squarewave reference frequency output.

The primary frequency of 4.096MHz is divided by JK flip flop stages M41, both of which are connected to toggle when clocked. The first division stage is synchronized at its reset input, M41-3, to the memory clock via flip-flop M42. This ensures correct phasing of the 2.048MHz squarewave output from M41-14.

M41-11 and M41-10 outputs provide complementary 1.024MHz and 1.024MHz squarewaves respectively. Monostable M40, which is triggered at 2.048MHz from M41-15, provides the positive-going 2.048MHz synchronizing pulses, SYNC1.

## 6.1.7 CLOCK WAVEFORM GENERATION

(Circuit Diagrams 430796 page 11.2-2

and 430648 page 11.3-3)

**NB** As the circuit locations in Fig 6.4 are clearly marked, and as there are no duplicate designators in the circuits, this description does not refer to a component's location except where necessary.

**NOTE** To avoid confusion, the terms 'high' and 'low' are used to replace 'Logic-1' and 'Logic-0' respectively in the following description.

The crystal oscillator on the Analog Interface Assembly provides a 4.096MHz Master Clock signal (X1-8) for the whole instrument. This drives the 6802 CPU at M34-39 (EXTAL) so M34-38 is not connected. M41 divides 4.096MHz to generate a 2.048MHz clock for the Memory Clock Stretching Circuit (M35/M49).

The CPU (M34) divides the EXTAL input internally by 4 and outputs the result as E (Enable) at M34-37, to act as a 'Phase 2' Memory Clock for the SSDA on the Analog Interface and the keyboard controller on the Front assembly.

If M34-3 (MR-Memory Ready) were permanently held at +5V, the E signal would be 1.024MHz. But in the 4708, a 'stretching' circuit (M35/M49) doubles the Logic High (+5V) time of E by switching MR to Logic Low (0V) for part of the cycle. This is shown on Fig.6.4.

The frequency of E is thus reduced to approximately 680kHz, with 1µs available for data access to the SSDA, Keyboard Controller, IEEE GPIA and memory.

### 6.1.7.1 Memory Clock Stretching Circuit

(Fig. 6.4)

The action of M35 and M49 is dependent upon the finite propagation time between clocks at M35-1/M35-6 and Q output at M35-15. When M34-3 (MR) is +5V; M34-37 (E) is toggled by alternate positive-going edges of the 4.096MHz clock, with a propagation delay of approximately 80ns. Also, the 4.096MHz signal is divided by 2 in M41, resulting in 2.048MHz signal whose negative-going edges clock M35. M35 cascade action is controlled by the condition of the Memory Clock (E) and affected by its own propagation times.

### 6.1.7.2 Shaping Action (Figs. 6.4 and 6.5)

**At T1 and T2:** The 4.096MHz clock edge at T1 causes E to rise from low to high at T2. As M35-10 is also high, MR changes from high to low at T2, holding E high. M35 pin state is 4 and 10 high, 9, 12 and 16 low.

**At T3:** The 2.048MHz falling edge clocks M35, and M35-9 rises to high awaiting the next clock edge (not until T5). M35-10 also remains high, so MR is held low and E stays high.

**At T4:** MR is still low, so the 4.096MHz clock has no effect on E, and E is stretched.

**At T5:** MR returns to high when the Logic-1 on M35-9 is clocked as a Logic-0 to M49-4. This allows the 6802 to toggle E at the next effective clock edge.

**At T6:** The rising edge of the 4.096MHz clock causes E to fall to low, setting up M35-4 to low, M35-12 and 16 to high. (M35-9 is already high.)

**At T7:** M35-10 is toggled to high, but as M49-5 is now low, MR remains high to allow E to be toggled at the next effective processor clock edge (not until the next T1). Also at T7, M35-15 is clocked to low to set M35-9 ready for the next (T3) clock edge. The circuit is now set up to its initial (pre-T1) condition so the action repeats.

#### Note:

A remote possibility exists, that a severe disturbance could upset the synchronization of the 'E' signal with the 2.048MHz clock. To guard against this, M42 acts as a monostable to provide negative reset pulses into M41-3. Under all normal conditions, these will occur when M41 is already toggled in its reset state.



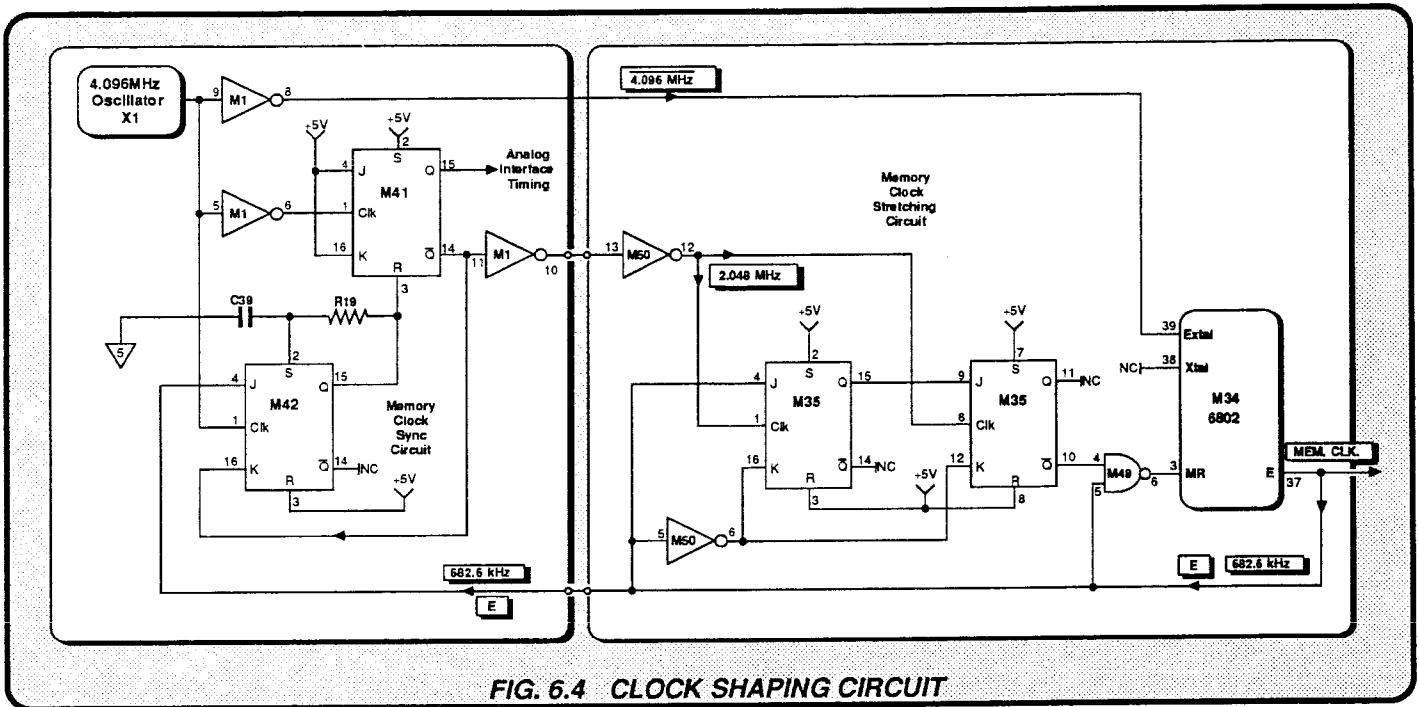


FIG. 6.4 CLOCK SHAPING CIRCUIT

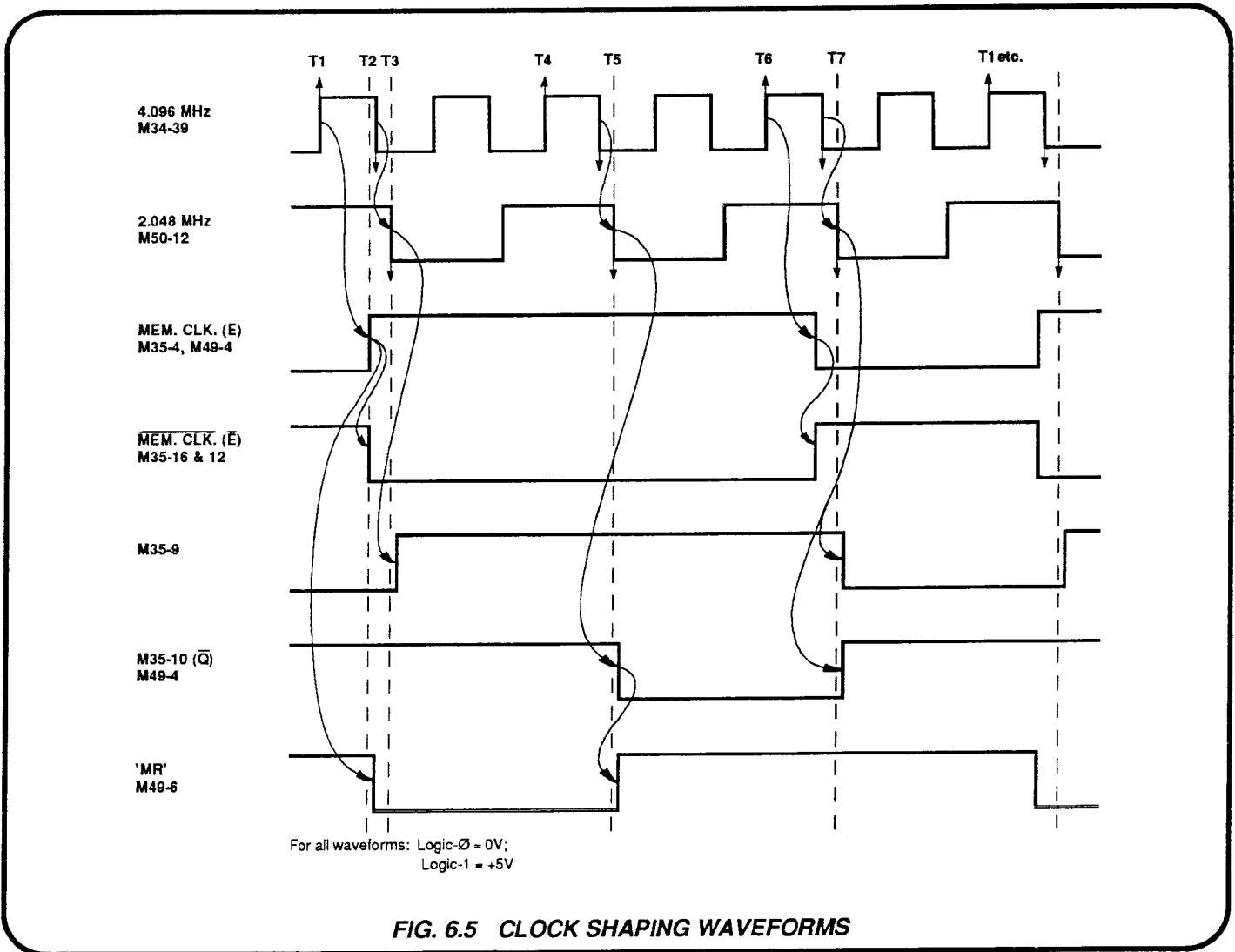


FIG. 6.5 CLOCK SHAPING WAVEFORMS

## 6.1.8 IEEE 488 DIGITAL INTERFACE

(Circuit Diagram 430796 Page 11.2.4)

The IEEE Interface circuitry is located on the bottom right-hand corner of the Digital PCB (viewed from the front of the instrument). M29, M40, M47 and M48 execute and decode interface functions, and transfer data (input/output).

The General Purpose Interface Adaptor (GPIA) M29, is software-driven by the 6802 CPU, as part of its normal function. M29 is addressed at CS by  $\overline{\text{XIOBBD}}$  from M51, and its internal registers are accessed by  $A_0$ ,  $A_1$  and  $A_2$  from the address bus.

The GPIA is clocked by Memory Clock E, with read or write control direct from the processor R/W signal at M29-5; and at instrument power-on, the signal  $\overline{\text{PWR ON RST}}$  from the Restart Generator circuit (M6-4) initializes M29 at M29-19.

Information is passed between M29 and the CPU (M34), via the data bus  $D_0$ - $D_7$ . The address switch data is linked to  $D_0$ - $D_6$  by tristate buffers M47. During initialization and at subsequent intervals, the state of M29-4 (ASE) changes from +5V to 0V, enabling M47. The status of the address switches on the 4708 rear panel is transferred into M29 via M47 and the data bus for comparison with the received address.

M40 and M48 are bidirectional bus-driver arrays. The drivers for bus management lines: IFC, ATN and REN are permanently held in Receive state, and the SRQ driver in Transmit state. The EOI line

driver is switched from Receive to Transmit by M29-28 ( $\overline{\text{T/R1}}$ ) changing from 0V to +5V as required by M29. M29-27 ( $\overline{\text{T/R2}}$ ) is normally held at 0V for reception of system data via  $\text{DIO}_{1-8}$  bus lines, and set to +5V for instrument data to be sent over the bus.

Some system controllers output excessive noise along the REN line. To avoid spurious switching of M29 between Local and Remote control states, the noise is filtered by R58 and C31.

Difficulty has been experienced with certain controllers in that NDAC can transfer data on to the bus too early. Resistor R62 and capacitor C7 slow down the transitions of NDAC to overcome this problem.

M29-40 ( $\overline{\text{IRQ}}$ ) is used to inform the CPU when certain states occur. In particular, the  $\overline{\text{IRQ IO}}$  signal is generated at each byte-transfer over the bus, whether the byte is sent or received. Additionally,  $\overline{\text{IRQ IO}}$  is activated whenever certain specific commands are received, e.g: 'DAC', 'SPA', and changes between Remote and Local Status.

When the CPU receives  $\overline{\text{IRQ IO}}$ , it addresses M29's 'Interrupt' Status Register, then M29 identifies the reason via the instrument data bus.

For further information refer to 'Getting Aboard the 488 Bus' published by Motorola, or the appropriate device data sheets.

## 6.1.9 MODEL 4600 DIGITAL INTERFACE

(Circuit Diagram 430796 Page 11.2.3)

The processor communicates with the 4600 using 9 signals in the digital bus. Eight signals are controlled by the processor using the PIA M26, which drives the digital bus via the IEEE bus buffer M25. The signal IDIGBUSON is driven from +5V (circuit diagram 430604-2.0 page 11.16-4) so that the model 4600 may detect that the 4708 is turned on.

The data on the digital bus IAD0 to IAD4 is bi-directional so model 4600 control data can be written from the model 4708, and status information read back. Writing occurs when signal  $\overline{\text{IWR}}$  pulses low and reading occurs when the signal  $\overline{\text{IRD}}$  pulses low. When  $\text{IA}/\overline{\text{D}}$  is low, they are in data mode as described, when high, they are in

address mode. The address mode is used during a write or read to determine which address is to be written or read. The 4600 latches the address on lines IAD0 to IAD4 when  $\text{IA}/\overline{\text{D}}$  is high and  $\overline{\text{IWR}}$  pulses low. All subsequent writes and reads are to this address until another address is latched. The 4600 uses only addresses 0,1,2 and 3. The remaining addresses 4 to 31 are reserved for future expansion.

The processor reads the 4600 status registers each 40ms to check for malfunctions, that the analog bus is connected, and the status of the on/off keys. The digital bus is reset by driving both  $\overline{\text{IWR}}$  and  $\overline{\text{IRD}}$  low, either by the processor or M24 (ie BARK DEL (OG) is set).

## 6.2 KEYBOARD

(Circuit Diagram 430558 Page 11.1-1)

The circuitry described in this section performs the following functions:

- Provides front-panel operator control of instrument Output, Function, Range and Mode circuitry, by push-button keys. Key operation is detected internally and transferred to the CPU via the instrument data bus.
- Indicates the present instrument state by means of LEDs fitted in the keys.
- Generates audible warning of errors, failures, and high voltage at the Output Terminals.

(Also see Circuit Diagram 430648 Page 11.3-3)

In addition a rocker switch sets instrument Power ON and OFF (refer to Section 6.7) and a 'Reset' key provides a hardware reset for the safety monitor (Watchdog) circuits (refer to Section 6.4). The circuitry is located on the Front PCB Assembly (400558), linked to the CPU by control signals and the data bus.

### 6.2.1 KEY and LED MATRICES

The keys are electrically arranged in an 8 x 7 matrix as shown in the circuit diagram. The seven columns are scanned by M5; any key contact is detected on one of the eight return lines RL<sub>0-7</sub>, memorized by M6, and signal KYBD IRQ is passed to the CPU. The CPU responds by interrogating M6 Keyboard memory and acting on the specific key command.

The LEDs in the keys are electrically arranged in an 8 x 4 matrix. The four rows are scanned by M4, and the eight columns receive the appropriate bit patterns from M6 display memory. This memory is up-dated as required from the CPU data bus D<sub>0-7</sub>.

### 6.2.2 PROGRAMMABLE INTERFACE M6

(Fig. 6.6)

M6 interfaces the keyboard and LEDs to the instrument data bus. It is addressed by  $\overline{\text{KYBD CS}}$  from the Digital assembly, to chip-select  $\overline{\text{CS}}$  which enables commands or data to flow via the data bus at DB<sub>0-7</sub>. The CPU sets address A<sub>0</sub> to Logic-0 for data flow; but for programming the interface for mode change or during initialization, A<sub>0</sub> is set to Logic-1.

#### 6.2.2.1 Read/Write Control

The  $\overline{\text{WRT STRB}}$  signal from the Digital assembly is applied to M6  $\overline{\text{WR}}$ . Data or Command is input to M6 from the CPU data bus during  $\overline{\text{WR}}$  low and  $\overline{\text{CS}}$  low, and is latched on the  $\overline{\text{WR}}$  positive-going edge.

The  $\overline{\text{RD STRB}}$  signal from the Digital assembly is applied to M6  $\overline{\text{RD}}$ . Data is output from M6 on to the data bus during  $\overline{\text{RD}}$  low and  $\overline{\text{CS}}$  low.

#### 6.2.2.2 M6 Initialization

Switching power on to the instrument causes M6 to be cleared by the PWR ON RESET pulse from the Digital assembly. The interface is then programmed during initialization as follows:

- Clock divider set to 'divide by eight':** The memory clock (E) at approximately 680kHz is divided by 8 to give an internal clock frequency of 85kHz.
- An inherent division by 16** reduces the scan clock to 5kHz giving a scan cycling frequency of 333Hz.
- Encoded Keyboard Scan:**  
The scan output from SL<sub>3-0</sub> is a 4-bit count. SL<sub>3</sub> is not used; SL<sub>2-1</sub> scans M4, SL<sub>2-0</sub> scans M5.
- Keyboard Mode:**  
The internal keyboard RAM is programmed as FIFO, input being routed via RL<sub>7-0</sub> return lines. Two-key lockout is employed with debounce.
- Display Mode:**
  - Eight character left entry for the LED display.
  - Inter-digit blanking:
    - all 1's on B<sub>0-3</sub> and A<sub>0-3</sub> between digits.

#### 6.2.2.3 M6 Reprogramming

The Frequency Store key and the 13 dual  $\updownarrow$  keys have a reprogrammable function. When one of these keys is pressed, the P8279 is reprogrammed into Scanned Sensor Mode. When released, the P8279 reverts to Encoded Keyboard Scan Mode.

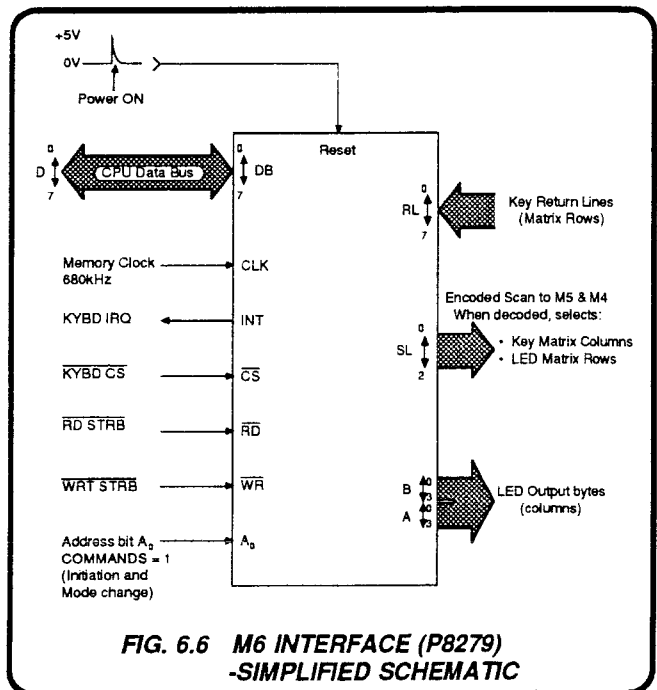


FIG. 6.6 M6 INTERFACE (P8279)  
-SIMPLIFIED SCHEMATIC

### 6.2.3 SCAN DECODING

The encoded scan output from M6 (approximately 333Hz cycle frequency at  $SL_{2,0}$ ) is decoded by M5 to energize each key-matrix column line once every scan cycle.  $SL_{2,1}$  scan outputs are also decoded by M4A to energize each LED-matrix cathode driver once in every scan cycle for a period of two digits.

### 6.2.4 KEY SELECTION

The keys are electrically grouped within a matrix of 8 rows of 7 (one position vacant - the Reset key is not part of the matrix). This does not conform to their physical grouping on the front panel. Each of the eight return lines  $RL_{0,7}$  defines a matrix row, whose seven elements are scanned by M5 (Low active).

The keyboard memory RAM in the P8279 (M6) is an image of the key matrix, internally synchronized to the  $SL_{2,0}$  column scan, and receiving row inputs from  $RL_{0,7}$ . It thus stores the state of each of the 55 keys. The use of 2-key lockout rejects two or more simultaneous contacts. Any single key depression is debounced, initiating the interrupt KYBD IRQ to the CPU which then interrogates the keyboard image RAM in the P8279.

The next action depends upon the key's function:

#### a. $\updownarrow$ key pressed:

- i. M6 is reprogrammed into Scanned - Sensor mode for as long as the key is pressed, the CPU acting on the key information.
- ii. If a single  $\up$  or  $\downarrow$  key is held down for longer than half a second, the display enters 'auto  $\updownarrow$ ' mode, running at about 3 digits per second.
- iii. When the key is released, M6 is returned to Encoded Keyboard Scan mode.

#### b. 'Store' key pressed:

- i. M6 is reprogrammed into Scanned - Sensor mode for as long as the key is pressed, the CPU acting on the key information.
- ii. If an F1 to F5 key is pressed while 'Store' is held down, the appropriate frequency memory location is accessed, and the output frequency is reset to the value in the memory.
- iii. When the 'Store' key is released, M6 is returned to Encoded Keyboard Scan mode.

#### c. Any other key pressed (not 'Reset'):

- i. M6 remains in Encoded Scan mode; the scan continues as the CPU is acting on the key information.
- ii. KYBD IRQ interrupts are generated only by the low-going edges of the key contact pulses, so M6 remains sensitive to subsequent key depressions.

### 6.2.5 KEY LED OPERATION

After performing the change requested by the key depression, the CPU changes the bit-patterns stored in M6 internal display RAM. As this is scanned internally in synchronism with the decoded outputs of M4A, each output byte of  $B_{0,3}$  /  $A_{0,3}$  drives the row of LEDs accessed by M4A output lines.

The bit-pattern of the byte selects the LEDs to be lit in that matrix row:

$B_{0,3}$ / $A_{0,3}$ bits at:	Logic-1 = LEDs unlit;
	Logic-0 = LEDs lit.

During changes of output between successive bytes, all the lines from  $B_{0,3}$  /  $A_{0,3}$  are set to Logic-1 to avoid spurious LED flashes.

Transistors Q25-Q32 drive the LED anodes, from a +5V supply regulated by M2. Darlington amplifiers Q21-Q24 drive the LED cathodes.

## 6.2.6 AUDIBLE WARNING BUZZER

There are two reasons for an audible warning from the calibrator:

- When the instrument enters High Voltage State (>110VDC or >75VRMS). A 4kHz tone is used, pulsed as described in the User's Handbook.
- When an inappropriate selection is attempted, or if any FAIL or Error message is displayed. For this purpose a single 500Hz 'Beeper' pulse is generated.

### 6.2.6.1 High Voltage State Alarm Control (Circuit Diagram 430558 page 11.1-1)

M4B and M1 act as a control latch for the quartz warning buzzer. With ALARM at Logic-1 (+5V) M1 remains unchanged; but with ALARM at Logic-0 (0V) the state of M1 depends on the condition of the A<sub>0</sub> line:

A<sub>0</sub> at Logic-1: the buzzer sounds a tone.  
A<sub>0</sub> at Logic-0: the buzzer is silent.

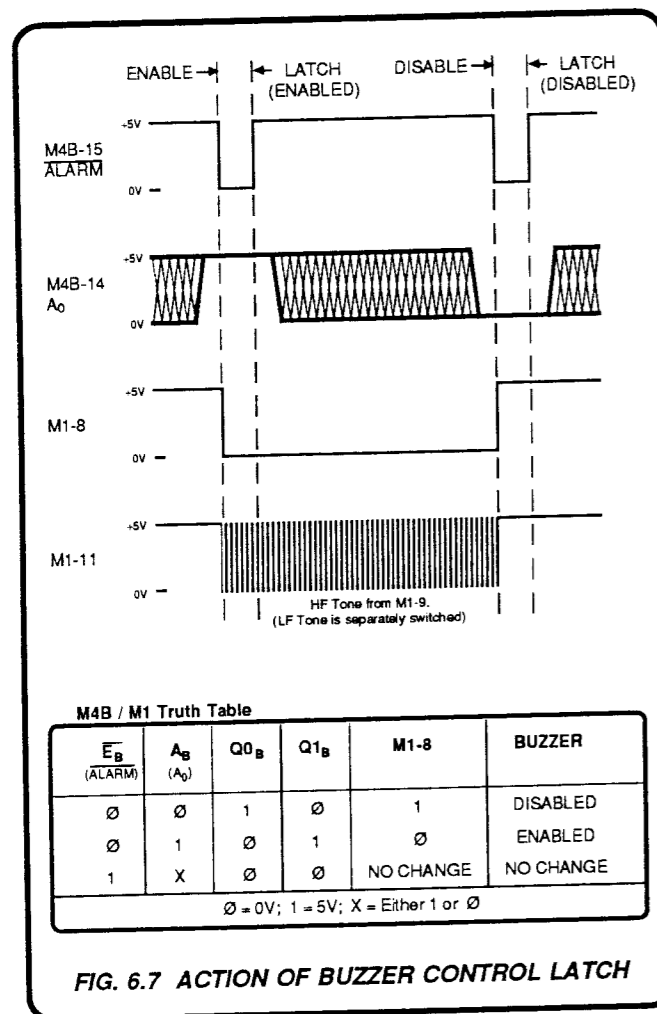


FIG. 6.7 ACTION OF BUZZER CONTROL LATCH

The latch is operated at CPU speed. Two  $\overline{ALARM}$  pulses are used for each burst of sound. The first, with A<sub>0</sub> at Logic-1, starts the burst; the second, with A<sub>0</sub> at Logic-0, ends it.

The waveforms and truth table in Fig.6.7 illustrate the action of the latch, with M1-13 at Logic-0.

During POWER ON initialization, the combination of  $\overline{ALARM}$  at Logic-0 and A<sub>0</sub> at Logic-0; is applied to M4B to force power-up in the disabled condition.

The 4kHz HF TONE signal at M1-9 originates in the Precision Divider counter which is situated on the Analog Interface Assembly. (Refer to Circuit Diagram 430648 page 11.3-2).

The 500Hz LF TONE signal at M1-13 remains at Logic-0 unless the 'Beeper' in the Analog Interface assembly is switched. (See section 6.2.6.2).

Note that A<sub>0</sub> may be used for other purposes when  $\overline{ALARM}$  is at Logic-1, but this will not affect the buzzer state.

### 6.2.6.2 'Beeper' Control

(Circuit Diagrams: 430558 page 11.1-1,  
430648 page 11.3-3)

The Alarm Control circuitry on the Front assembly is overridden for Beeper control. During a 'Beep', the HF TONE signal is inhibited, and the LF TONE signal at M1-13 is enabled to control the buzzer output.

On the Analog Interface assembly (page 11.3-3) the Beeper consists of a monostable timer and NAND logic. Unless a requirement arises for a 500Hz warning, the  $\overline{BEEP}$  signal is at Logic-1. Thus M55-3 is at Logic-0, so M54-5 at Logic-1 inhibits the LF TONE signal, M54-4 remaining at Logic-0. M54-8 is at Logic-0 enabling the 4kHz HF TONE, which is passed to the Front assembly at M1-9 (page 11.1-1).

When required, a single 'Beep' is originated by the CPU pulsing M34-3 (page 11.3-1) to Logic-0. This is the  $\overline{BEEP}$  signal applied to the monostable M55-2. M55-3 rises to Logic-1 for approx. 150ms until the monostable times out, then reverts to Logic-0. M54-8 is at Logic-1 during this period, inhibiting the HF tone and setting M54-11 to Logic-1. This is passed to M1-9 on the Front assembly, where it ensures that M1-12 is at Logic-0 to override any High Voltage alarm. M54-5 at Logic-0 enables the 500Hz LF TONE signal to pass via M54-4 to M1-13 on the Front assembly (see page 11.1-1). As M1-12 is held at Logic-0 during the beep, the buzzer produces 150ms of audible 500Hz output.

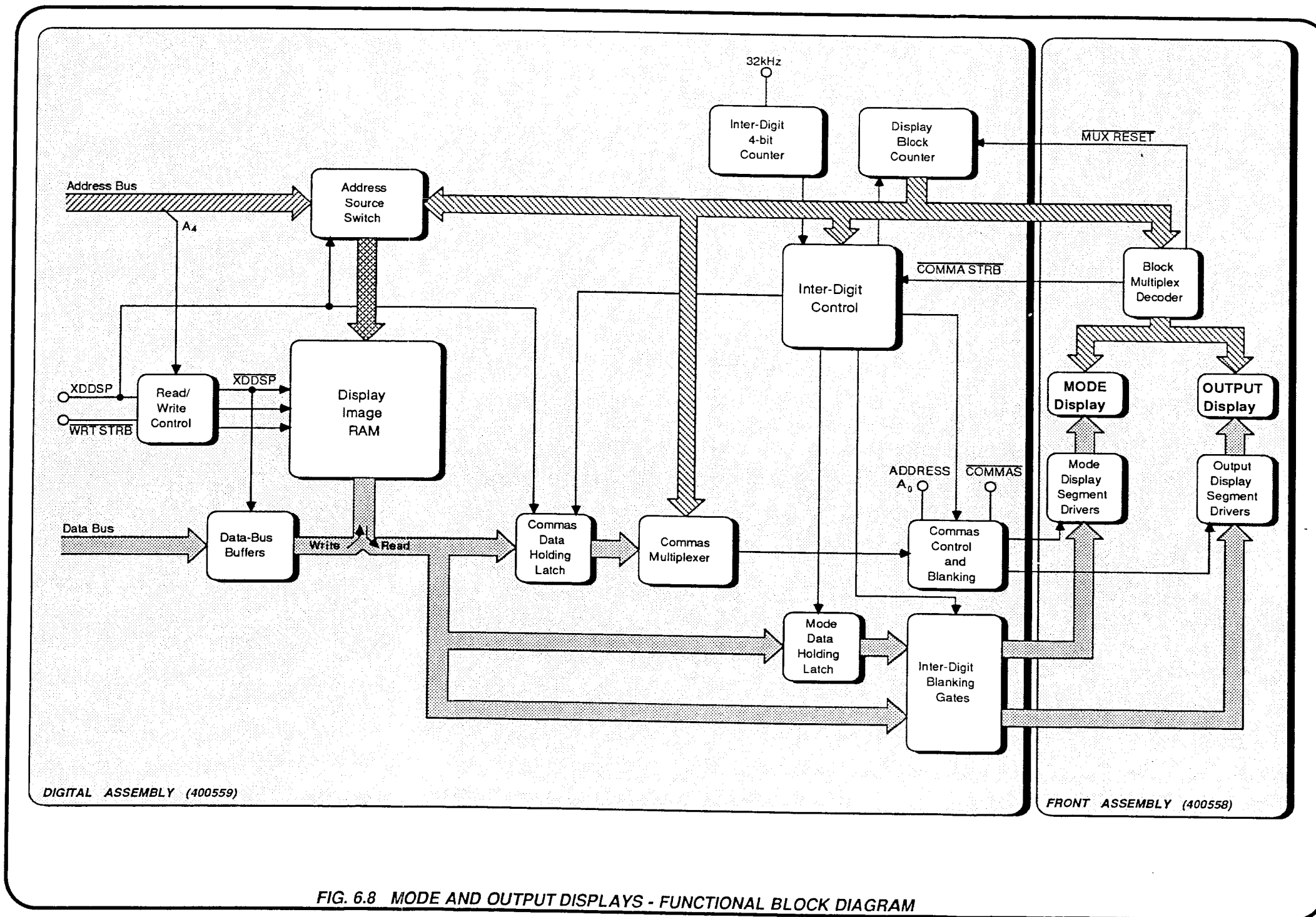


FIG. 6.8 MODE AND OUTPUT DISPLAYS - FUNCTIONAL BLOCK DIAGRAM

## 6.3 DIGITAL DISPLAYS

The circuits described in this section perform the following functions:

- Storage of display data in a Display Image RAM, updated under CPU control.
- Generation of multiplex count which selects segment data from the RAM, and energizes the appropriate digital blocks in synchronism.
- Distribution of high voltage supplies to energize the plasma displays.

Part of the Digital assembly (400796) houses the display multiplexer, which includes the display image RAM, the interdigit and multiplex counters, and control circuitry.

The two plasma displays, the block multiplex decoder, segment drivers and high voltage circuits are located on the Front assembly (400558). The block diagram of *Fig.6.8* shows the arrangement and main interconnections of the display circuitry.

---

### 6.3.1 GENERAL (*Fig.6.8*)

The purpose of the Display Image RAM is to accept and store current display data, which is read out to drive the display segments. The Display Block Counter generates a 4-bit count at 2kHz which scans the 11 digit-blocks of both displays in parallel. The same count scans the RAM, selecting segment information for each block in turn. As there are two displays, and therefore two RAM bytes to read for each block, the 'MODE' display data is first entered into a holding latch during the inter-digit blanking period at the start of the time-slot for its block.

To update the displayed characters, the CPU writes into the RAM at high speed (680 kHz), using signal XDDSP to connect the Address bus through the Address Source Switch to the RAM. XDDSP also connects the Data Bus to the RAM through the Data Bus Buffers, writing the new segment data into the selected RAM Address. The high speed of the transfer, compared with the much slower scanning speed in Read mode, avoids spurious effects appearing on the displays.

Each RAM address contains only 8 bits, but there are nine segments in each display block. Comma-segment information is therefore not written into its normal block address in the RAM, but stored as a bit in a separate 'Commas' byte, which holds the data for all eight blocks having a comma. The byte is read out into a Commas Data Holding Latch, once every block-scan cycle, and then selected for display by a Commas Multiplexer 8-into-1 switch.

### 6.3.2 STATIC CONDITIONS (Circuit Diagram 430558 *Page 11.1-2*)

All plasma display block anodes are driven from the +5V supply and all segment cathodes from the -175V supply. The supplies are connected by conduction of anode and cathode driver transistors:

<b>Anodes:</b>	
Both Displays -	Q10 to Q20,
<b>Cathodes:</b>	
MODE display -	Q2 to Q9, and Q41,
OUTPUT display -	Q33 to Q40, and Q42.

When not energized, all anodes and cathodes are held at -70V by the action of 75V zener D17.

To energize a particular block (simultaneously on both displays), the multiplex decoder causes the relevant anode driver transistor to conduct, lifting its two anodes to +5V.

At the same time, the two sets of data (for the characters to be displayed in the two blocks) are extracted from the Display Image RAM, and applied to the segment cathode drivers. Those segments selected for illumination are pulled to -175V, striking the discharge.

Four keep-alive electrodes in each digit block (two anodes and two cathodes) are maintained at +5V and -175V respectively. This ensures a rapid strike when a digit is energized, helping to prevent inter-block 'streaming'.

### 6.3.3 WRITE MODE

(Fig. 6.9)

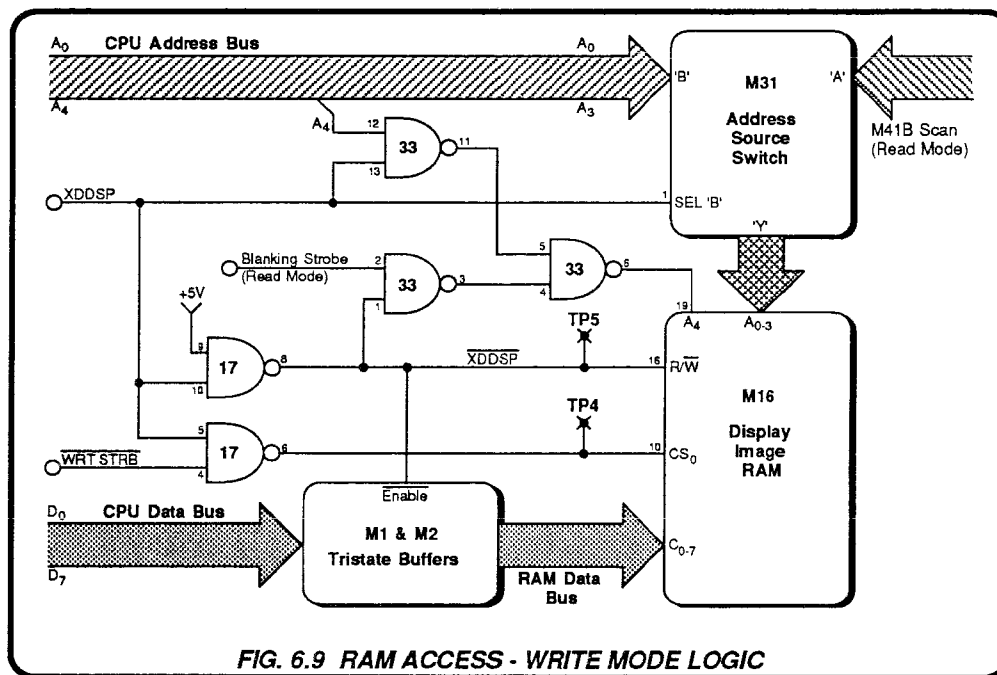


FIG. 6.9 RAM ACCESS - WRITE MODE LOGIC

Whenever the CPU is programmed to update a display (eg. for Range, Function, Mode or Value change) it sets address decode XDDSP to Logic-1 with each byte of data to be transferred. This causes M31 and M33 to select the CPU address lines A<sub>4-0</sub> which are mapped directly to the RAM address input lines A<sub>4-0</sub>. The RAM is placed into its write mode by signal XDDSP at Logic-0 (M17-8, TP5, M16-16).

The RAM M16 is divided into two sections, using the address bit A<sub>4</sub> to differentiate between OUTPUT and MODE display images. When the CPU is loading the RAM with OUTPUT display data, it sets A<sub>4</sub> to Logic-1, passing to set M16-19 (A<sub>4</sub>) input to Logic-1. MODE display and COMMAS images are written into M16

with A<sub>4</sub> at Logic-0 (M33-4 and 13 at Logic-1 in write mode). (In Read mode M16-19 is again used to differentiate between the two image sections).

The signal XDDSP (M17-8) enables the tri-state buffers M1 and M2, connecting the CPU data bus to M16 data input/output lines D<sub>0-7</sub>. With each byte of display data, the CPU also generates the write strobe signal WRT STRB. This is combined with XDDSP (M17-6, M16-10, TP4) to enable M16 internal Input/Output tri-state buffers to accept the data byte (chip select CS<sub>0</sub>). Once the display data has been loaded into the RAM, the CPU returns XDDSP to Logic-0 and the RAM reverts to Read mode.

### 6.3.4 READ MODE

(Fig. 6.10)

Unless the CPU has data to update, the signal XDDSP remains at Logic-0, to hold the display multiplexer circuitry in Read mode. The RAM data bus is isolated from the CPU data bus by tri-state buffers M1/M2, and M16 is chip-selected in read mode by M17-6 and M17-8 at Logic-1.

#### 6.3.4.1 Display Scan Address Interlacing

(Circuit Diagram 430796 Page 11.2-1)

M31-1 (SEL) at Logic-0 causes the RAM to be addressed from the display block scan, mapping M41B outputs: Q4B, Q3B, Q2B, Q1B to RAM address input lines: A<sub>0</sub>, A<sub>3</sub>, A<sub>2</sub>, A<sub>1</sub> respectively. This bit-rotation interlaces the extraction of display data, in synchronism with the interlaced block selection by the Front Assembly Scan decoder.

#### 6.3.4.2 Block Multiplex Decoding

(Circuit Diagram 430558 Page 11.1-2)

(Figs. 6.10 and 6.11)

The 4-bit Block scan output MUX A<sub>3-0</sub> from the multiplex scan counter M41B (dig) is used at DATA<sub>4-1</sub> input to M3 (on the Front assembly), which decodes it into a low-active 16-line scan S<sub>15-0</sub>.

To strobe the commas, M3 output S<sub>6</sub> generates the signal COMMA STRB, and its S<sub>13</sub> terminates each scan by resetting M41B in the Digital assembly (MUX RESET). Outputs S<sub>7</sub>, S<sub>14</sub> and S<sub>15</sub> are not used.

The other eleven M3 outputs switch transistors Q10 - Q20 on sequentially, driving the anodes of both plasma displays in synchronism. As can be seen from Fig. 6.11, the interlace is maintained to avoid consecutive activation of adjacent blocks, thus preventing inter-block 'streaming'.



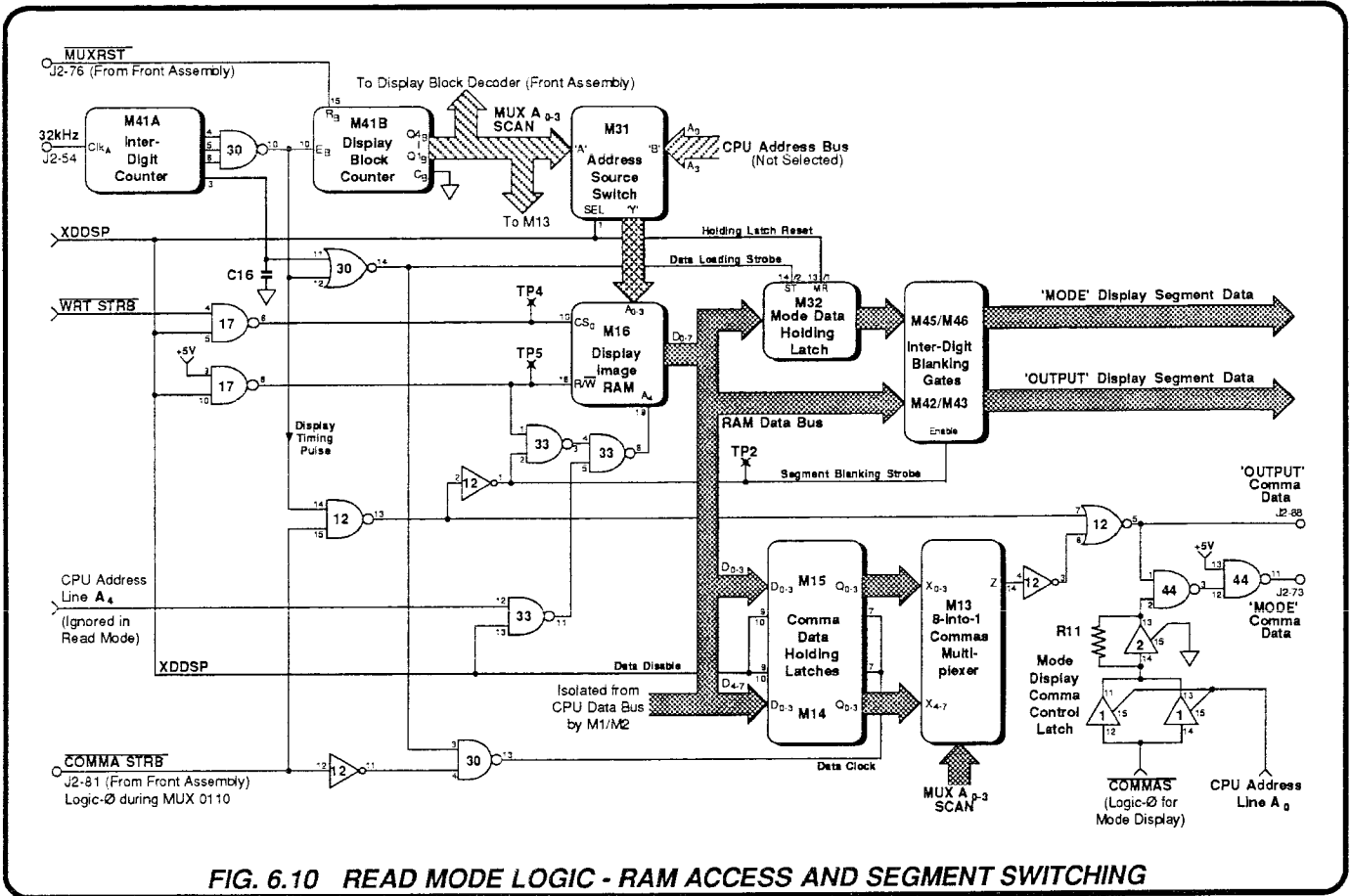


FIG. 6.10 READ MODE LOGIC - RAM ACCESS AND SEGMENT SWITCHING

### 6.3.4.3 Display Data Selection

(Circuit Diagram 430796 Page 11.2-1)

When the processor writes display data into the Display Image RAM, the  $A_4$  input is used to select the MODE or OUTPUT display data storage area (see para 6.3.3 and Fig. 6.11). In Read mode also,  $A_4$  is set to Logic-1 to read OUTPUT display data, and to Logic-0 for MODE or COMMA data.

For an alpha-numeric display block, 18 bits of data could be required:

- One byte - OUTPUT display block segments;
- One byte - MODE display block segments;
- Two bits - COMMAS (one for each display).

The problem of transferring two bytes of data along the single-byte RAM data bus is overcome by strobing each MODE display segment byte into a holding latch (M32), during the first 30µs of its block selection time-slot. The MODE display section of the RAM is selected by setting its  $A_4$  input to Logic-0 for this 'Inter-digit' period, during which the inter-digit blanking gates, (M42/43, M45/46), set all the segment lines going to the Front Assembly to Logic-0 (segments OFF).

COMMAS data are stored in the Display Image RAM as a separate byte (refer to Section 6.3.4.6).

MUX A <sub>3-0</sub> SCAN	M3 Output 'S'	Display Block Anode Energized, or Signal Selected (for both displays simultaneously)
A <sub>3</sub> A <sub>2</sub> A <sub>1</sub> A <sub>0</sub>		
M3 DATA 4-1 Input		
D <sub>4</sub> D <sub>3</sub> D <sub>2</sub> D <sub>1</sub>		
M16 A <sub>3-0</sub> Input (Display Image RAM - Digital Assembly)		
A <sub>0</sub> A <sub>3</sub> A <sub>2</sub> A <sub>1</sub>		
0 0 0 0	S <sub>0</sub>	A <sub>1</sub>
0 0 0 1	S <sub>1</sub>	A <sub>3</sub>
0 0 1 0	S <sub>2</sub>	A <sub>5</sub>
0 0 1 1	S <sub>3</sub>	A <sub>7</sub>
0 1 0 0	S <sub>4</sub>	A <sub>9</sub>
0 1 0 1	S <sub>5</sub>	A <sub>11</sub>
0 1 1 0	S <sub>6</sub>	COMMA STRB
0 1 1 1	S <sub>7</sub>	Not Used
1 0 0 0	S <sub>8</sub>	A <sub>2</sub>
1 0 0 1	S <sub>9</sub>	A <sub>4</sub>
1 0 1 0	S <sub>10</sub>	A <sub>6</sub>
1 0 1 1	S <sub>11</sub>	A <sub>8</sub>
1 1 0 0	S <sub>12</sub>	A <sub>10</sub>
1 1 0 1	S <sub>13</sub>	MUX RESET
1 1 1 0	S <sub>14</sub>	} Not included in cycle (MUX RESET at S <sub>13</sub> )
1 1 1 1	S <sub>15</sub>	

FIG. 6.11 DISPLAY SCAN SEQUENCES

### 6.3.4.4 Display Timing

(Fig. 6.12)

Read mode is driven by a 32kHz square wave (Waveform 'A', generated from the 13-bit counter in the Analog Interface Assembly M15-11), used as clock for a 4-bit counter (M41A). The three most significant bits are combined at M30-10 to produce Waveform B, the display master-timing pulse, used also for inter-digit blanking.

The following example explains how the display data is set up for the next display block in sequence, during the 62.5µs of the display timing pulse.

#### Example

##### Initial State:

M41B count has already reached 1001, and the block-4 anodes of both displays are energized (Fig. 6.11).

The OUTPUT display data for block 4 is selected in the Display Image RAM (M16) to drive the segment cathodes for a figure '6', which appears on the OUTPUT display.

Block 4 of the MODE display is showing a figure '3', and the data for this is being output from the MODE display Holding Latch (M32). The data held in M16 for the next byte (Block 6 of both displays) is:

OUTPUT display -	Figure '8'
MODE display -	Figure '7'

**Block Changeover:** The next block is selected during the display master timing pulse (Fig. 6.12, Waveform B).

- The negative-going leading edge triggers the scan counter (M41B) whose output advances to 1010 (block 6). On the Front Assembly, M3 de-energizes A<sub>4</sub> anodes and energizes A<sub>6</sub> anodes.
- For the duration of the Display Master Timing Pulse (Logic-Ø at M12-14), the A<sub>4</sub> input to M16 is set to Logic-Ø as A<sub>3,0</sub> inputs are advanced to 0101. MODE display data for figure '7' is loaded onto the RAM data bus as follows:

- M17-6 at Logic-1 selects M16 at M16-10,
  - M17-8 at Logic-1 holds M16 in Read mode,
  - RAM address A<sub>4,0</sub> = 00101 reads MODE display block 6 data onto the RAM data bus (M1/M2 isolates from the CPU data bus),
  - M30-14 at Logic-1 strobes the byte into M32 during the 30µs of Waveform D, then returns to Logic-Ø leaving figure '7' data latched at M32 output.
  - M12-1 at Logic-Ø blanks the two displays by setting M45/M46/M42/M43 outputs to Logic-Ø, regardless of their inputs from M32 and the RAM data bus.
- c. The positive-going edge of Waveform B lifts the RAM A<sub>4</sub> input (M16-19) to Logic-1, addressing the OUTPUT display section of memory. A<sub>3,0</sub> is still at 0101, selecting block 6 display data (in our example a figure '8') which it loads on to the RAM data bus.

The end of the master timing pulse also releases the blanking by enabling gates M42/M43/M45/M46, so the data for both MODE and OUTPUT displays are now delivered to the cathode drivers on the Front assembly, to strike the gas discharge in the two energized A<sub>6</sub> blocks.

This condition persists for 437.5µs until the next master timing pulse, when Waveforms B and C repeat the process for the next block of stored display data.

At any time during the cycle, the CPU may force Write mode. This will not disturb the scan from M41B, but XDDSP will reset M32 outputs to Logic-Ø (M32-1/13). However, the speed of byte transfer from the CPU ensures that the data being transferred is not visible on the displays. Subsequently, each block will be driven by its new stored data.

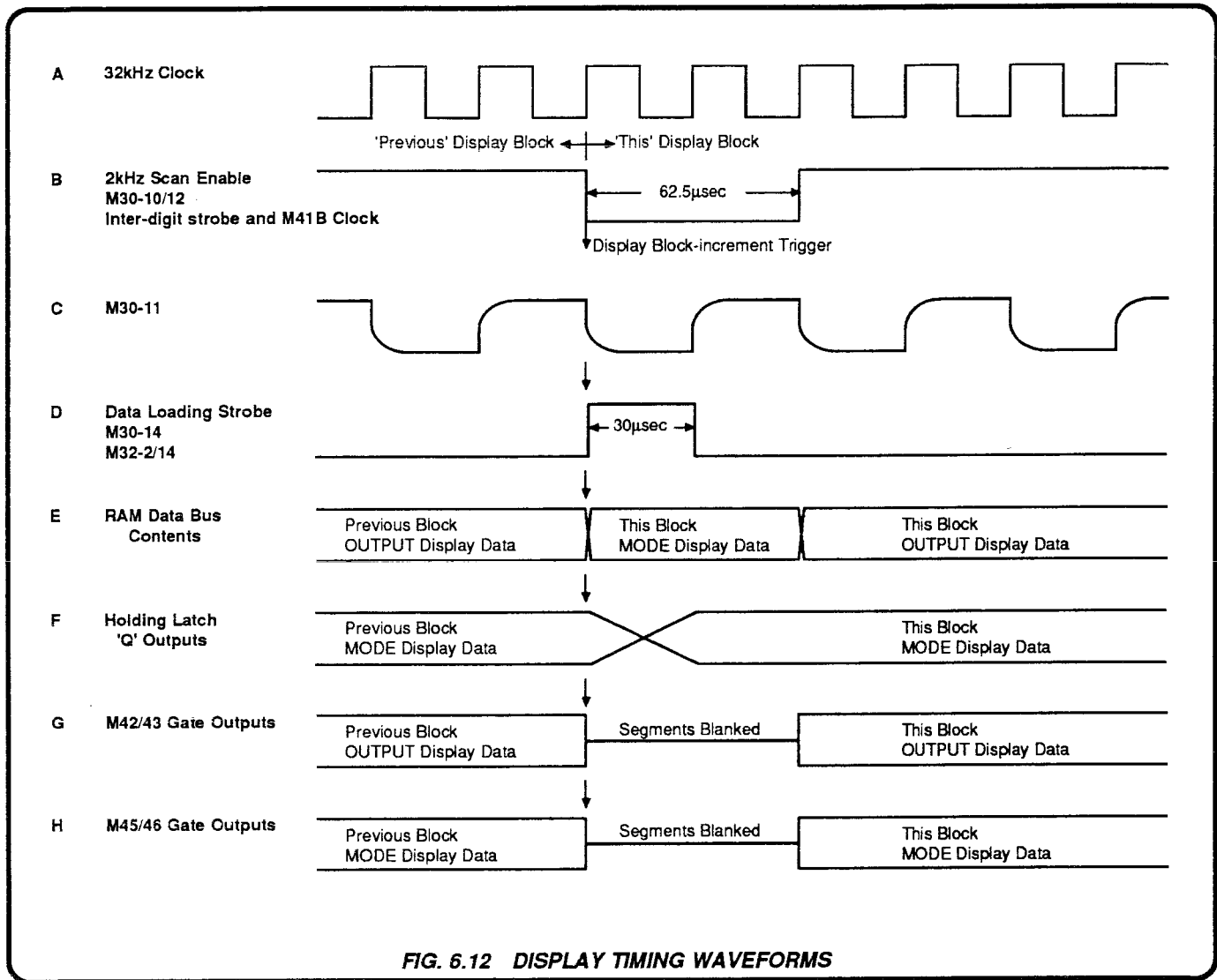


FIG. 6.12 DISPLAY TIMING WAVEFORMS

### 6.3.4.5 Display Segment Drive (Circuit Diagram 430558 Page 11.1-2)

The strobed segment signals from the Digital Assembly are input to the Front Assembly on J1 pins 67-75 (MODE display) and J1 pins 82-90 (OUTPUT display). These are already synchronized to their blocks by the 4-bit block scan MUX A<sub>3-0</sub> within the Digital assembly.

For each block in sequence, the appropriate segment bit-pattern is set at the input to the segment drivers. For bits at Logic-1, the rise is passed through line capacitors to reverse-bias the DC restoration diodes and forward bias their driver-transistor bases. The segment cathodes are pulled down to -170V by the resultant collector currents, from their quiescent -70V. The correct block anode is simultaneously lifted from -70V to +5V by its anode driver transistor, striking the gas discharge and displaying its digit. For bits at Logic-0 the cathode drivers remain cut off.

The above action proceeds for both displays simultaneously. The anode driver transistor energizes its corresponding block anode on both displays, at the same time as the cathode drivers are loaded with the correct block bit-pattern for their own display.

The cathode driver emitter resistors control the segment cathode currents for uniform brilliance of all segments.

During change-over between blocks, all segment inputs at Logic-1 are returned to Logic-0 by the inter-digit blanking strobes M42/43/45/46 on the Digital assembly. This turns off the drive transistors and blanks the display. The high scan frequency and persistence of the operator's vision prevents the blanking being observed on the display.

6.3.4.6 Comma Logic (Figs. 6-10 and 6.13)  
 (Circuit Diagram 430559 Page 112-1)

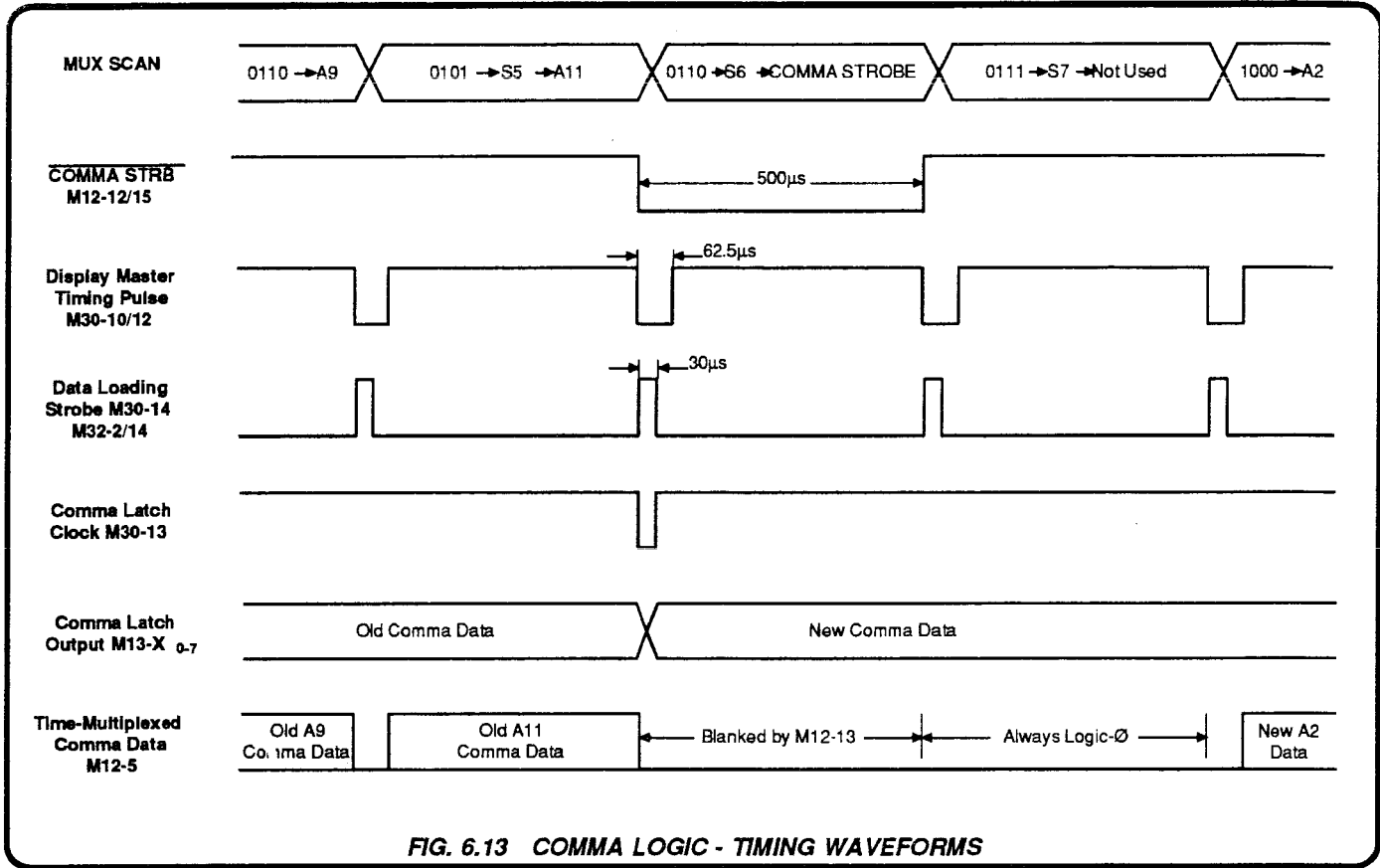


FIG. 6.13 COMMA LOGIC - TIMING WAVEFORMS

The comma is the ninth segment (i) in each of the numerical display blocks. It cannot fit into a block's byte in memory, as there are only eight bits per byte. But all the comma information can be stored in a single byte of memory in the RAM (RAM address 01100). This is possible although there are nine numerical blocks, because the ninth block never requires a comma. Legend blocks A<sub>10</sub> and A<sub>11</sub> do not have a segment (i).

The RAM COMMA data is updated by the CPU in Write mode, and is read out (as though it were another display block) by M41B scan 0110 during the master display pulse (Waveform B sets RAM A<sub>4</sub> input to Logic-0). The same MUX combination 0110 selects S<sub>6</sub> output from M3 decoder on the Front Assembly, which sets the signal COMMA STRB to Logic-0.

Thus for the duration of S<sub>6</sub> = 0, (500µs); the COMMA data is on the RAM data bus, but the blanking gates prevent it reaching segments (a)-(h).

6.3.4.7 Comma Drive Multiplexing

The COMMA STRB signal is inverted and combined with the Data Loading Strobe at M30-13 as a Logic-0 pulse, whose positive-going edge clocks the comma data into latches M14/15, approximately 30µsec after it has been loaded on to the RAM data bus. The permanently-enabled outputs from these latches are input as X<sub>0-7</sub> into the 8-into-1 multiplexer M13 during a complete MUX scan until the next COMMA STRB signal.

The block-multiplex scan from M41B selects the correct X input to synchronize with activation of its display block anode. This is output from M13-14 (Z), into blanking gates M12.

Comma information is blanked during COMMA STRB, and by inter-digit blanking during display-block change-over (M12-7).

The Comma drive line from M12-5 to the front panel, via J2-88, controls segment (i) cathode driver for the OUTPUT display.

If commas are required on the MODE display (e.g. in 'Spec' operating mode +Lim or -Lim) they will always be in the same display blocks as the OUTPUT display. When this mode is selected, the CPU pulses the COMMAS line to Logic-0 at the same time as Address line A<sub>0</sub> goes to Logic-1. Tristate buffer outputs M1-11 and 13 go to +5V, setting M2-13 output to +5V (Logic-1). Outputs M1-13 and M1-11 go tristate when the COMMAS line returns to Logic-1, leaving M2-13 latched to +5V by the positive feedback action of R11. So M44-2 enables the comma data to the MODE display segment driver, via J2-73, to copy the OUTPUT display commas on to the MODE display.

When MODE display commas are not required, Logic-0 (0V) is set on A<sub>0</sub> with COMMAS signal at Logic-0. Thus M2-13 latches to Logic-0 and M44-2 disables the flow of comma data to the MODE display.



## 6.4 ANALOG CONTROL INTERFACE

The circuitry described in this section performs the following functions:

- Provides a two-way interface via a serial data link between out-guard digital processing and in-guard analog control circuitry on the reference divider assembly (see Fig. 6.14).
- Monitors the CPU operation, serial transfer, digital supply failure and restart operations (watchdog), imposing a controlled safety default condition if there is a danger of losing digital control of the analog functions.

A manual reset of the safety monitor is provided on the front panel (see Fig. 6.17).

### 6.4.1 GENERAL

Safety and Control information is input from Digital (400796) and Front (400558) Assemblies to out-guard circuits located on the Analog Interface Assembly (400648), processed and transferred across the 'Guard' isolation barrier to in-guard circuits in the Reference Divider Assembly (400652). After further processing in the Reference Divider Assembly, safety and control information is output to the following assemblies:

- Sine Source Assembly (400446),
- AC Assembly (400844),
- PA Assembly (400618),
- DC Assembly (400536),
- Current/Ohms Assembly (400614), and
- High Voltage Assembly (400537).

Certain selected 'Status' signals, originating in the analog assemblies, are returned to the CPU during the data transfer. Thus, the data link forms a continuous loop, as shown in Fig. 6.14.

### 6.4.2 SERIAL DATA TRANSFER (Fig. 6.14)

(Circuit Diagrams: 430796 Page 11.2-2, 430648 Page 11.3-3, 430652 Pages 11.4-4 and 11.4-5)

A bi-directional serial data link passes information across the guard isolation screen; passing CPU commands to control the in-guard analog circuitry, and returning critical status signals from the guarded circuits back to the CPU.

The link is managed by a synchronous serial data adaptor (SSDA) which, having first been loaded with three bytes of control instructions by the microprocessor; transmits the resultant 24-bit word across guard one bit at a time, via its Tx DATA channel.

The 48 bits necessary to control the analog circuitry thus require two successive 24-bit transmissions.

Simultaneously with each 24-bit transmission, the SSDA receives a 24-bit word via its Rx DATA channel, enabling the CPU to parity-check its returned data, and obtain the status of the analog functions.

#### 6.4.2.1 The Transfer Cycle (Fig. 6.14)

The CPU uses an address-code signal  $\overline{AN\ I/F\ STRT}$  (Analog Interface Start) to initiate each 24-bit shift, by triggering a separate clock generator (M2, M3, M4) which produces a burst of 24 clocks per shift. Data is clocked in a serial string through a continuous loop comprising:

- the 48-bit, serial in/parallel out, analog control shift register;
- the 16-bit, parallel in/serial out, status shift register;
- back to the SSDA receiver (Rx DATA).

The serial data string is correctly located after two 24-bit shifts, so then the SSDA generates a strobe pulse which:

- Transfers the data present in the serial data string of the six 8-bit analog-control shift registers (M27, M25, M31, M19, M30, M15) into their enabled parallel output registers and onto the analog control bus.

When the strobe ends, further transfer is disabled and the registers' output data is latched.

- Injects the status data at each of the 8-bit parallel inputs of the two status shift registers (M18, M22) into corresponding locations in the serial data string.

When the strobe ends, the parallel inputs to the status registers are disabled.

After the strobe pulse, the CPU initiates a further circulation of serial data (including the status data), in order to obtain the status data and return the analog control bits to the SSDA Rx DATA register for parity checking by the CPU.

This extra (confirmatory) circulation requires three more 24-bit shifts, so a complete data transfer consists of five shifts. If no error is detected, the SSDA provides a trigger-enable to allow updates to prevent activation (BARK) of the watchdog circuits.

If an error is detected on the first transfer, the CPU activates a second complete transfer, and then a third if an error is detected on the second. If the error persists after the third transfer, the trigger-enable is withheld, and the instrument will shut down under the control of the 'Watchdog' safety monitor.

All interfacing between out-guard and in-guard circuits is achieved using electrically-isolating opto-couplers.

#### 6.4.2.2 Data Transfer Organization (Fig. 6.15)

Data is transferred serially via the SSDA, control registers and status registers as directed by the CPU.

The exchange of data between the CPU and SSDA is made in bytes of 8 bits on the instrument data bus, each exchange comprising three bytes (24 bits) of parallel data.

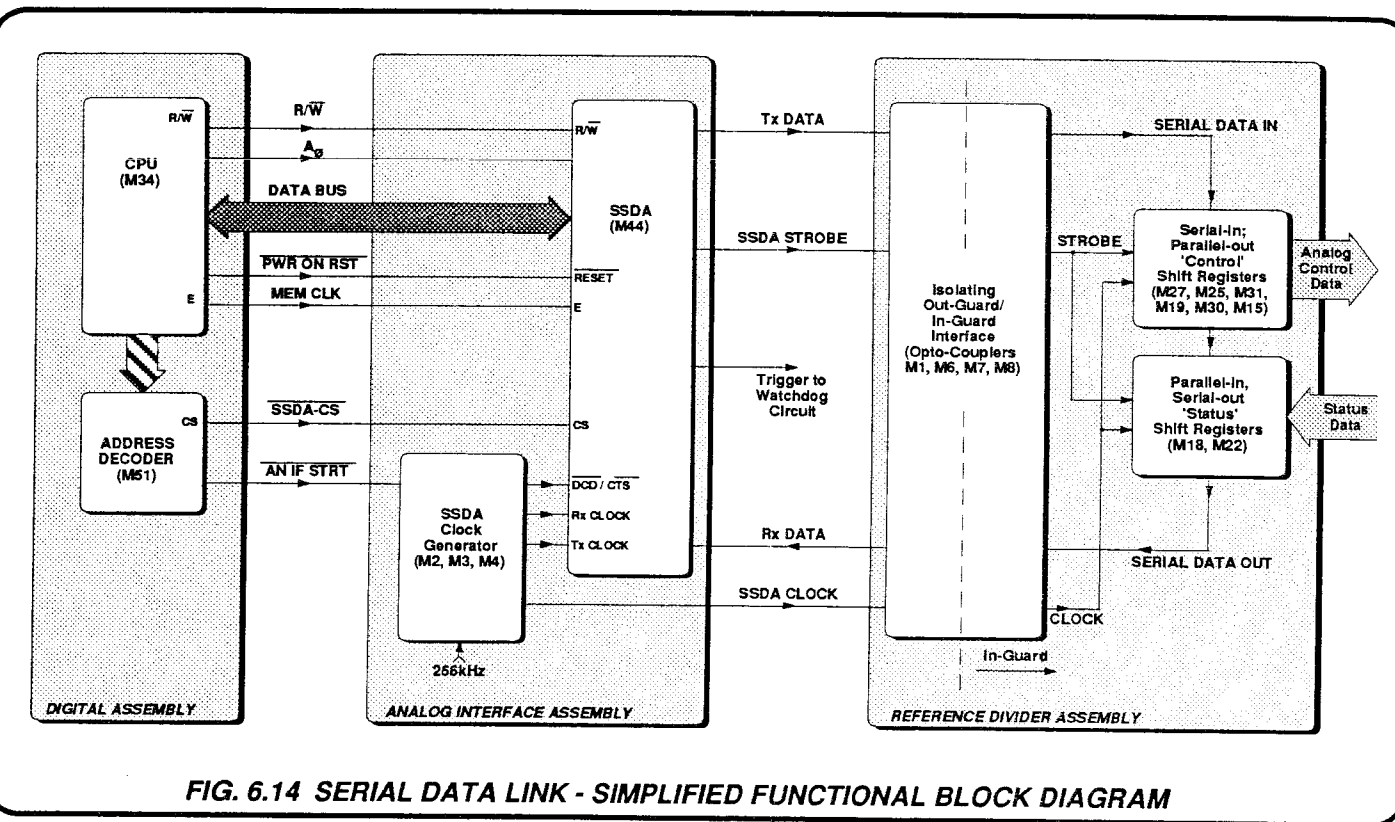


FIG. 6.14 SERIAL DATA LINK - SIMPLIFIED FUNCTIONAL BLOCK DIAGRAM

The shifts of serial data through the in-guard circuit are synchronized by clocks which are controlled from the CPU, and the SSSDA Rx return registers are cleared when read by the CPU.

Once the in-guard serial data is correctly positioned at the inputs to the control registers, the SSSDA generates a strobe which enables its transfer to the parallel outputs of the control registers. The same strobe enables injection of the data on the parallel inputs of the status registers into the serial data string.

The transfer operation requires five serial data shifts, each of three bytes, through the registers. During this operation: the control registers are loaded with bytes of new data (ND); the status registers are loaded with new status data (NS); and the whole of the ND and NS data is returned to the CPU, which:

- a. verifies that the analog control bits of the serial data string return to the SSSDA Rx DATA register without error. This indicates that at least, the correct bit pattern was applied to the analog control register inputs at the time the strobe was generated.
- b. acts upon the status data received.

### 6.4.2.3 Transfer Sequence

The sequence of events in the transfer operation is as follows, referring to *Fig. 6.15*:

- a. Three bytes of new data, ND1, ND2 and ND3 are loaded into the SSSDA transmitter registers; this data is destined for control registers D1, D2 and D3. The SSSDA receiver registers were cleared when last read by the CPU.
- b. A burst of 24 clock pulses, initiated by the CPU, shifts all data three bytes to the right. After the shift is completed, the transmitter registers are loaded with new data bytes ND4, ND5 and ND6 (destined for control registers D4, D5 and D6). During this period, no transfers are made between the serial data string and the parallel control or status registers.
- c. A second burst of 24 clock pulses again shifts all data three bytes to the right. New data bytes ND1 to ND6 are now correctly positioned in control registers D1 - D6. After completion of the shift, three dummy bytes are loaded into the transmitter registers. Old data in the receiver register is ignored.
- d. With new data bytes ND1 to ND6 correctly located, the SSSDA generates a strobe pulse. This pulse:
  - i. latches the 48 bits of bytes ND1 to ND6 at the parallel outputs of control registers D1 to D6;
  - ii. enables the parallel inputs of status registers S1 and S2, loading two new status bytes NS1 and NS2 and clearing old data OD5 and OD6 from the registers.
- e. A third burst of 24 clocks again shifts all data three bytes to the right. The CPU reads bytes NS1, NS2 and ND1 from the SSSDA receiver registers (the CPU may take immediate action on NS returns). After the shift is complete, new data bytes ND1, ND2 and ND3 are re-loaded into the transmitter registers.

- f. A fourth burst of 24 clocks again shifts all data three bytes to the right. The CPU reads bytes ND2, ND3 and ND4 from the receiver registers. After the shift is complete, new data bytes ND4, ND5 and ND6 are re-loaded into the transmitter registers.
- g. A fifth burst of 24 clocks again shifts all data three bytes to the right. Bytes ND5 and ND6 are read from the receiver registers. The CPU has now read all new data and status bytes and the transfer sequence ends. If an error is detected between new data transmitted and new data received, the transfer process is repeated; three attempts are allowed before a fault condition is declared.

## 6.4.3 SYNCHRONOUS SERIAL-DATA ADAPTOR

(Circuit Diagram 430648 Page 113-3)

### 6.4.3.1 SSSDA Initialization

When power supplies are first switched on or an external reset signal EXT RST is applied, the signal  $\overline{\text{PWR ON RST}}$  (Power On Reset) is held at Logic-0 for approximately 8ms.

During this period, the SSSDA is latched in a reset condition to prevent erroneous output transitions at its Tx and Rx interfaces; the internal transmit registers are inhibited to prevent the loading of data from the data bus and the SSSDA strobe output is held at Logic-1.

After  $\overline{\text{PWR ON RST}}$  returns to Logic-1; the instrument state is initialized by the firmware program. This routine clears the latches, registers and SSSDA strobe.

### 6.4.3.2 Parallel Data Input From CPU

The conditions for parallel data on the data bus to be accepted by the SSSDA are as follows:

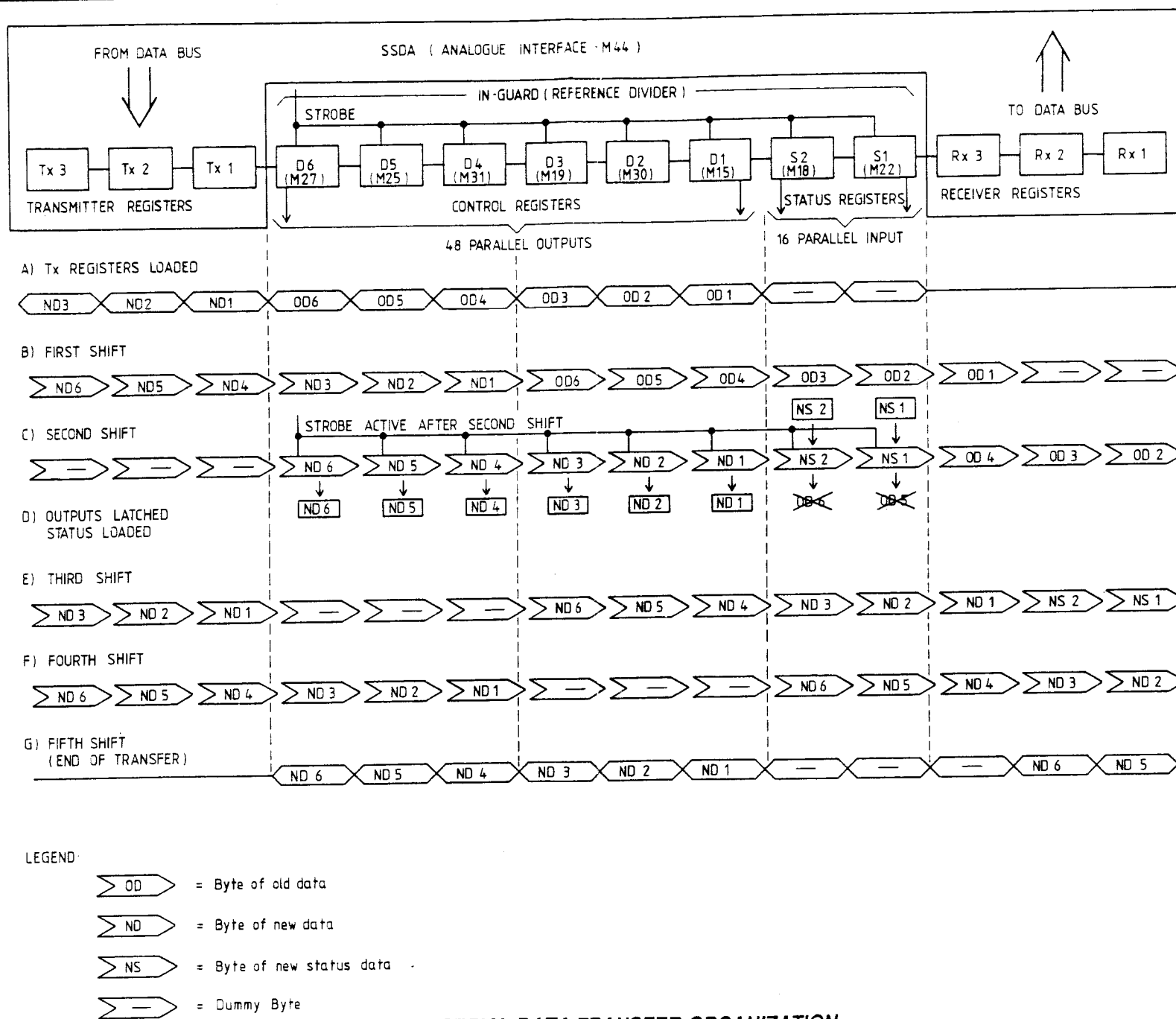
- a. Chip-select  $\overline{\text{SSDA CS}}$  at Logic-0.
- b. Read/Write command  $\overline{\text{R/W}}$  at Logic-0. This controls the direction of data flow via the Data Bus through the SSSDA input/output port. When  $\overline{\text{R/W}}$  is at Logic-0, data on the Data Bus is written into a selected register within the SSSDA.
- c. The memory clock 'MEM CLK' 682.6kHz square wave synchronizes the SSSDA operating cycle to that of the CPU.

With register address bit A<sub>0</sub> at Logic-1 and input conditions present as above, the SSSDA accepts data from the data bus into a 3-byte internal FIFO register. The data is entered over several MEM CLK cycles and stored in the FIFO register in readiness for serial transmission from the SSSDA.

When the address bit A<sub>0</sub> is at Logic-0, data transferred into the SSSDA are recognised as programming instructions. The SSSDA is programmed as part of the initialization routine. For details of 'Control Byte' operation, refer to Motorola 6852 data sheet.







**FIG. 6.15 SERIAL DATA TRANSFER ORGANIZATION**



### 6.4.3.3 Parallel Data Output to CPU

The conditions for data to be read back from the SSDA on to the data bus are as follows:

- Chip-select  $\overline{\text{SSDA CS}}$  at Logic-0.
- Read/Write command  $\text{R}/\overline{\text{W}}$  at Logic-1.
- Memory clock, MEM CLK, present.

The data read from the SSDA may be from one of two sources, selection being made by address bit  $A_0$ :

- With  $A_0$  at Logic-1, received data from the serial data input FIFO is transferred to the data bus.
- With  $A_0$  at Logic-0, the CPU reads an internal SSDA status register.

### 6.4.3.4 Serial Data Transmission

Serial data transmission is controlled by the  $\overline{\text{CTS}}$  (clear to send) input to the SSDA. Transmission is inhibited by  $\overline{\text{CTS}}$  at Logic-1, and enabled when  $\overline{\text{CTS}}$  is set to Logic-0 by the CPU address-code signal  $\overline{\text{AN I/F STRT}}$ . The first serial bit is transmitted by the negative transition of the first full positive Tx clock pulse (256 kHz) after  $\overline{\text{CTS}}$  has been set to Logic-0.  $\overline{\text{CTS}}$  is held at Logic-0 by the  $\overline{\text{AN I/F STRT}}$  latch for the duration of 24 full Tx clock pulses, thus enabling the serial shift transmission of the 24 data bits from the Tx Data FIFO in the SSDA.

### 6.4.3.5 Serial Data Reception

Serial data is received by the SSDA, controlled by the  $\overline{\text{DCD}}$  (data carrier detect) level and clocked by Rx CLOCK.  $\overline{\text{DCD}}$  is common to the transmit control  $\overline{\text{CTS}}$  so that transmission to, and reception from the serial/parallel shift registers is synchronous. Both Rx CLOCK and Tx CLOCK have the same frequency but Rx CLOCK is inverted with respect to the latter. The first bit arriving at its Rx DATA input is clocked into the SSDA Receive FIFO register on the positive transition of the first full Rx clock after  $\overline{\text{DCD}}$  is set to Logic-0.

## 6.4.4 SSDA CLOCK GENERATION

Serial data is transmitted and received in bursts of 24 data bits. Three clocks are used to time the flow of bits, ensuring that:

- Data has time to settle before being clocked along the shift registers.
- The first Rx data sample is taken before it is lost by the first bit-shift.
- Subsequent Rx data has time to settle before being sampled by the SSDA.
- Exactly 24 bits are shifted in each burst.

### 6.4.4.1 SSDA, Tx and Rx Clock Action

(Fig. 6.16)

The three clocks are derived from the 256 kHz square wave output from the 13-bit counter. The 256 kHz squarewave is used directly as the signal 'Tx CLOCK' into the SSDA.

(Refer to Circuit Diagram 430648 Page 11.3-2 - M15-14).

After  $\overline{\text{CTS}}$  is set to Logic-0, the negative transition of the first full positive pulse triggers the first serial Tx data bit setup. (Refer to Fig. 6.16 Waveforms G and H).

'Rx CLOCK' is an inverted version of the 256kHz squarewave. After  $\overline{\text{DCD}}$  is set to Logic-0, the positive transition of the first full Rx clock cycle triggers the SSDA. The SSDA thus samples the first Rx data bit before the SSDA clock triggers the shift registers. (Fig. 6.16 Waveforms K and J).

'SSDA CLOCK' is also an inverted version of the 256kHz squarewave. The inversion allows approximately 2ms of data setup time for all serial data bits prior to clocking the data along the shift registers. SSDA CLOCK is gated at M2-3 by the action of M3-12 to ensure that the first Rx data is sampled before it is lost by the first bit-shift. 24 clock pulses are counted by M4, allowing 24 bits to be shifted before resetting the Analog Interface Start latch M2-11 (TP3) to Logic-1.

(Refer to Fig. 6.16 Waveform I).

### 6.4.4.2 SSDA Clock Circuitry

(Circuit Diagram 430648 Page 11.3-3)

The following paragraphs describe the action of the SSDA clock generator circuitry.

The action of the SSDA clock generator is initiated by the command  $\overline{\text{AN I/F STRT}}$  from the CPU. This occurs after the parallel data has been loaded into the SSDA transmit registers from the data bus. The Logic-0 pulse of  $\overline{\text{AN I/F STRT}}$  sets flip-flop M2-10/11 to give a Logic-0 at TP3 which then:

- Sets the D input level of flip-flop M3-5;
- Removes 'SET' to enable shift register M3 at M3-6 and M3-8;
- Removes 'RESET' to enable counters M4 at M4-7 and M4-15. (Refer to Fig. 6.16 Waveforms A and C).

At the next rising edge of the inverted 256 kHz (Rx CLOCK) from M43-8 after  $\overline{\text{AN I/F STRT}}$ , the shift register M3 is clocked but only M3-1 'Q' output changes state to Logic-0. This is applied to the SSDA  $\overline{\text{CTS}}$  and  $\overline{\text{DCD}}$  inputs, thus releasing the inhibits on the SSDA transmit and receive registers.

(Refer to Fig. 6.16 Waveforms D and E).

At the next (second) rising edge of the clock to M3, M3-12 changes to Logic-1. This allows NAND M2-3 to pass 256 kHz clock pulses via buffer M5-12 to the Reference Divider Assembly to shift the serial data string along the analog-control and status registers.

(Refer to Fig. 6.16 Waveforms D, F and I).

The 256 kHz clock at NAND M2-3 is applied to the 4-bit up-counter clock input at M4-1, each rising edge causing the counter to increment by 1.



The divide-by-16 output M4-6 is applied to enable M4 at its M4-10 input ; the falling edge occurring at count-16 and incrementing the second counter to produce, at M4-11, a Logic-1 output. Later, at count-24, M4-6 changes again to Logic-1, and together with M4-11 output, gives a Logic-0 from NAND M2-4, causing the following actions:

- a. Flip-flop M2-12 is reset to give Logic-1 at TP3.
- b. The Logic-1 at TP3 sets shift register M3 to give:
  - i. Logic-1 at M3-1, thus inhibiting  $\overline{\text{DCD}}$  and  $\overline{\text{CTS}}$ ;

- ii. Logic-0 at M3-12, disabling NAND M2-3 and thus stopping any further SSDA clocks.

- c. The Logic-1 at TP3 resets the up-counters M4 causing:

- i. the counter outputs to fall to Logic-0, inhibiting further counting;
- ii. NAND M2-5 to rise to Logic-1, re-setting flip-flop M2-12 to prepare for the next  $\overline{\text{AN I/F STRT}}$  input.

(Refer to Fig. 6.16 Waveforms I, B, C, E and F).

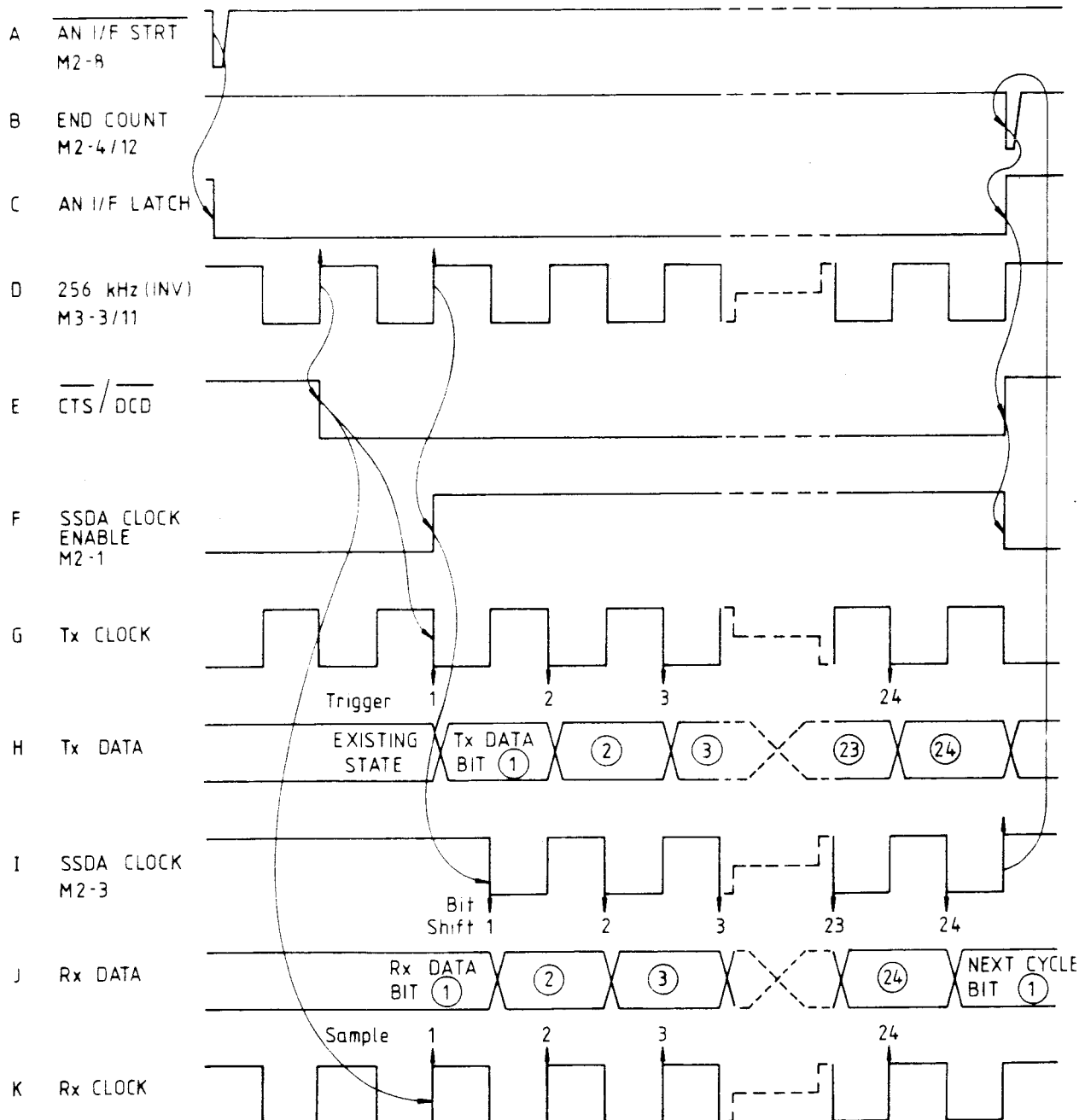


FIG. 6.16 SSDA CLOCK GENERATOR WAVEFORMS

## 6.4.5 SERIAL/PARALLEL CONVERTER

(Circuit Diagram 430652 Pages 11.4-4 and 11.4-5)

Serial control data transmitted from the SSDA (Analog Interface Assembly), together with their control signals (SSDA strobe and SSDA clock), enter the Reference Divider Assembly via the Mother Assembly.

The data and signals cross the isolation barrier through opto-isolators M6, M7 and M8 into guard.

Serial control and status data is returned out of guard to the SSDA receiver via opto-isolator M1.

### 6.4.5.1 Logic Levels

The nominal logic levels (Logic-1 = +5V, Logic-Ø = 0V) used in the out-guard SSDA circuits, are offset at the opto-isolator outputs to:

$$\text{Logic-1} = 10\text{V}, \quad \text{Logic-Ø} = 15\text{V};$$

and level-shifted for the in-guard circuitry to:

$$\text{Logic-1} = 0\text{V}, \quad \text{Logic-Ø} = 15\text{V}$$

### 6.4.5.2 Serial-In/Parallel-Out Control-Data Convertors

Six 8-bit serial shift registers M27, M25, M31, M19, M30 and M15 each have latching parallel outputs. Their serial "D" inputs and "Q's" outputs are cascaded to form a single 48-bit serial shift register. M27 receives 'serial data in' from M8 via the level-shifting buffer M36-4, and M15 passes serial data on to the Parallel-in/Serial-out Status-Data converters.

### 6.4.5.3 Parallel-In/Serial-Out Status-Data Converters

Two 8-bit serial shift registers M18 and M22 each have parallel inputs. M18 serial "Ds" input accepts serial data from M15; M18 "Q8" output is cascaded to M22 "Ds" input; and M22 "Q8" output delivers SERIAL DATA OUT to buffer M11-11 and back to the SSDA via M1 opto-isolator.

M18 and M22 thus form a 16-bit serial shift register whose 16 parallel inputs' states can be inserted into the serial data string.

### 6.4.5.4 Serial Data Cycling

The serial data, organized into five blocks of three bytes (*Refer to Section 6.4.2.2*), is accompanied by synchronized bursts of 24 clocks. The output from opto-coupler M7 is buffered via level-shifter M36-2 and then inverted at M14-6. The timing of the positive clock edges allows all bits of serial data (distributed throughout the shift registers) to stabilize before being clocked on.

After the CPU has generated two bursts of data and clock pulses, the serial control data has shifted into the correct positions in control registers M27, M25, M31, M19, M30 and M15. So before the third

burst of three bytes, the SSDA produces a strobe which writes the control data into their parallel outputs. Simultaneously, the strobe also fills the 16-bit serial register of M18 and M22 with the status data present on their parallel inputs.

When the strobe ends, further transfers between serial and parallel registers are disabled. The new control data remains latched in the parallel control registers, and the new status data is in the serial status register ready for shifting to the SSDA Rx DATA register through guard.

The control and status bits in the registers are then circulated by three further bursts of clock pulses, until the CPU has read both the new status data and all the control data that were written by the strobe. Verification that the returned control data is identical to the transmitted data, ends the transfer.

If after three attempts, the returned data does not match the transmitted data; the CPU omits to re-trigger monostable M10 in the Reference Divider Assembly. M10 times out and allows the signal BARK DEL to go to Logic-Ø, disabling the 48 control data outputs by 'tri-stating' the registers M27, M25, M31, M19, M30 and M15.

### 6.4.5.5 Parallel Control-Data Outputs and Status-Data Inputs

The data latched in M27, M25, M31, M19, M30 and M15 outputs control the operation of the Analog circuitry. The effects are therefore described in the sub-sections relevant to their destinations.

As this is a multi-purpose converter, designed for use in more than one model of instrument, some of the control and status lines are not used.

## 6.4.6 SAFETY MONITOR (WATCHDOG)

(Fig.6.17)

### 6.4.6.1 Watchdog Signals

The watchdog circuits continuously monitor the CPU/SSDA functional process. Detection of a processor malfunction by the watchdog results in the following actions:

- a. **BARK.** This signal:
  - i. removes the drive from the primary of the High Voltage (1kV) transformer,
  - ii. disables the 400V Power Supply, and
  - iii. disconnects the Current Assembly output from the instrument output terminals.
- b. **BARK.** This is returned as a status bit to the CPU via the SSDA to signal a failure.
- c. **BARK DELAYED.** This occurs 47ms after BARK and disconnects the AC Voltage Power and Sense circuits from the instrument output terminals.
- d. **BARK DELAYED.** This signal disables the registers of the serial/parallel data converters.

### 6.4.6.2 Effects at Power-on

The watchdog outputs are manipulated by the power-on reset circuits as follows:

- $\overline{\text{BARK DELAYED}}$  and  $\overline{\text{BARK DELAYED}}$  are held active for 80ms from power-on and then are allowed revert to the inactive state only after two SSSA strobes have been detected.
- BARK is forced active until CPU/SSDA functioning has been verified; the latter must occur within 470ms of power-on.
- $\overline{\text{BARK}}$  is held inactive for 470ms from power-on, after which it provides a FAIL message to the CPU.

### 6.4.6.3 Effects after 'Reset'

Operation of the Reset control on the front panel provides a further 100ms period for the CPU/SSDA functional process to settle, during which time the watchdog circuits must verify correct functioning before their outputs are reset.

### 6.4.6.4 Watchdog Trip Action

The watchdog is tripped if the system fails to transmit analog-control updates to the analog circuitry. The updates are of two types:

- Transfer of 'Output value' data via the Analog Interface comparators,
- Transfer of analog switching data via the SSSA every 40ms.

The CPU generates pulses at 8ms intervals to verify that the correct output value has been latched into the Analog Interface comparators. These pulses are allowed to pass into guard only if the SSSA verifies that the analog switching data is being transferred normally at 40ms intervals. Once in guard, the pulses prevent the watchdog flip-flops from generating their four BARK output signals, by re-triggering a monostable (M10-4: 18ms) to hold it in its unstable state.

If two or more pulses are missing, M10 releases the hold, and the watchdog flip-flops 'Bark', activating the safety circuitry. They will be missing if the output value comparators are incorrectly updated; if the SSSA fails to generate 'Transmit' pulses for a period exceeding 470ms; or if the CPU crashes.

## 6.4.7 WATCHDOG CIRCUITRY

### 6.4.7.1 Out-Guard Watchdog

(Circuit Diagrams 430648 *Section 11.3*  
and 430652 *Section 11.4*)

The CPU verifies the validity of each serial-interface transfer by giving the SSSA an instruction to generate a 'Watchdog Enable' trigger. This ' $\overline{\text{W.DOG ENBL SET}}$ ' pulse (M44-7 on *page 11.3-3*), triggers watchdog-enabling monostable M29-11 (*page 11.3-1*).

$\overline{\text{W.DOG ENBL SET}}$  triggering and retriggering extends the natural (470ms) unstable state of M29 indefinitely. Unless the retrigger fails, the M29-9 output ( $\overline{\text{W.DOG ENABLE}}$ ) remains at Logic-0. Absence of  $\overline{\text{W.DOG ENBL SET}}$  retriggers, for longer than 470ms, allows M29-9 to restabilize to Logic-1.

$\overline{\text{W.DOG ENABLE}}$  is inverted at M43-3 and applied to NAND gate M46-12 (*page 11.3-4*).

During each successful processor cycle, the CPU addresses M51-9 (Digital Assembly *page 11.2-2*). The resulting low active pulses at 8ms intervals are inverted, and gated with WRT STRB to generate the active-low signal  $\overline{\text{W.DOG}}$  at M49-11.

$\overline{\text{W.DOG}}$  travels via the Mother Assembly to the Analog Interface Assembly to be gated with the  $\overline{\text{W.DOG ENABLE}}$  signal at NAND M46 (*page 11.3-4*). The resulting signal at M46-13,  $\overline{\text{W.DOG}}$ , consists of positive-going pulses at 8ms intervals when the CPU/SSDA system is working normally, or a Logic-1 level if the SSSA fails.

The  $\overline{\text{W.DOG}}$  signal travels via the Mother Assembly to be passed into guard on the Reference Divider Assembly (Opto-coupler M9 on *page 11.4-5*).

### 6.4.7.2 In-Guard Watchdog

(Circuit Diagram 430652 Page 11.4-5)

#### NOTE:

The operating levels of the in-guard CMOS circuits are negatively displaced as follows (nominal voltages):

- Opto-coupler output circuits

Logic-1: -10VDC      Logic-Ø: -15VDC

- Digital CMOS circuits

Logic-1: 0V              Logic-Ø: -15VDC

Level-shifter M36 carries out the interfacing between these two levels.

The 'W.DOG' signal is opto-coupled into guard by M9. During normal operation: the W.DOG in-guard positive-going pulses, at 8ms intervals, keep re-triggering the monostable M10-4 to give a continuous Logic-Ø at M10-7. The 18ms unstable state of M10 allows for one pulse to be absent, but if two or more pulses are missing, M10 resets, taking M10-7 to Logic-1.

The logic level from M10-7 is connected directly to the set input of flip-flop M13-6. With the reset input to M13-4 held at Logic-Ø during normal operation, the output conditions of M13-1 and M13-2 are as follows:

- Set input M13-6 = Logic-Ø (no fault);  
M13-1 (Q) = Logic-Ø -  $\overline{\text{BARK}}$  not active  
M13-2 (Q) = Logic-1 -  $\overline{\text{BARK}}$  not active
- Set input M13-6 = Logic-1 (malfunction);  
M13-1 (Q) = Logic-1 -  $\overline{\text{BARK}}$  active  
M13-2 (Q) = Logic-Ø -  $\overline{\text{BARK}}$  active

The action of M13-2 changing to Logic-Ø triggers the monostable M10-11 which has a relaxation time of 47ms. After 47ms, M10-9 output clocks flip-flop M13-11 to give the command BARK DEL from M13-13 and  $\overline{\text{BARK DEL}}$  from inverter M14-12.

### 6.4.7.3 Power-On Reset

(Circuit Diagram 430652 Page 11.4-5)

When power is first applied, the build-up of the 15V supply forces shift register M37 Set inputs to Logic-Ø, but its Reset inputs are held at Logic-1 by the charging action of R122/C7.

So M37 is forced into reset state for about 80ms:

- M37-2 imposes Logic-1 at M13-8 Set input.
- M37-1 at Logic-Ø holds M10 inactive at M10-3, thus preventing random triggering at M10-4 from erratic W.DOG inputs, as the SSDA/CPU functions start up. 'Q' output M10-7 holds M13-6 Set input at Logic-1.

Also, the Reset inputs M13-4 and M13-10 are held at Logic-1 for a period of 470ms from power-on by the signal  $\overline{\text{FP RST}}$ , generated by the power-on reset action of M53 on the Digital Assembly. (page 11.2-2).

Therefore, the Set/Reset inputs M13-8/M13-10, initially both at Logic-1, force M13-13 output to Logic-1 to give active BARK DELAYED and  $\overline{\text{BARK DELAYED}}$  outputs.

The Set/Reset inputs M13-6 and M13-4, also initially at Logic-1, force:

- M13-1 to Logic-1 (Active BARK), and
- M13-2 to Logic-1 (Non-active  $\overline{\text{BARK}}$ ).

The output states of M37 (M37-1 = Logic-Ø, M37-2 = Logic-1) remain unchanged after the 80ms time constant at M37 Reset inputs, but then M37-11 is free to be triggered from the SSDA strobe input. Two strobe inputs must occur before M37-1 clocks to Logic-1 and M37-2 to Logic-Ø. M13-13 now changes to Logic-Ø, making BARK DELAYED and  $\overline{\text{BARK DELAYED}}$  inactive, and the inhibit is removed from M10-3.

The outputs M13-1 and M13-2 remain unchanged until M10-7 falls to Logic-Ø by the clocking action of pulses on the W.DOG input. This must occur before M13-4 returns to Logic-Ø (at 470ms from power-on) for BARK to be made inactive, otherwise BARK remains active and  $\overline{\text{BARK}}$  is set to Logic-Ø, producing a fail status bit which is passed to the CPU.



#### 6.4.7.4 Malfunction

(Fig 6.17)

Any malfunction which introduces one of the following conditions will cause the watchdog to bark:

- a. CPU WRT STRB fails at Logic-0.
- b. M51 on the Digital Assembly does not receive the address to activate M51-9.
- c. Failure of transmission of bursts of the W.DOG ENABLE SET pulses from the SSDA to M29 (The SSDA is not transferring serial data).
- d. The SSDA Strobe is not triggering M37.
- e. W.DOG pulses are not triggering M10.

As well as these failures the CPU is informed, via SSDA Status byte transfer, of certain analog malfunctions. Subsequent CPU action can include deliberate activation of the watchdog by omitting to address M51 as in (b) above.

#### 6.4.7.5 Reset

Once the watchdog has 'Barked' it can be reset, if the malfunction has cleared, by pressing the Reset control on the front panel.

The Reset input to the watchdog circuit, FP RST, is active for 100ms after pressing the Reset key. (M53-9 on Digital Assembly page 112-2). During this period, the Reset inputs at M13-4 and M13-10 are held at Logic-1, allowing the correct pulse inputs from the processor and SSDA to hold M13-6 at Logic-0, and to reset BARK DEL at M13-13 to Logic-0. The watchdog will not reset if the malfunction persists.



DIGITAL PCB ASSEMBLY

ANALOG INTERFACE ASSEMBLY

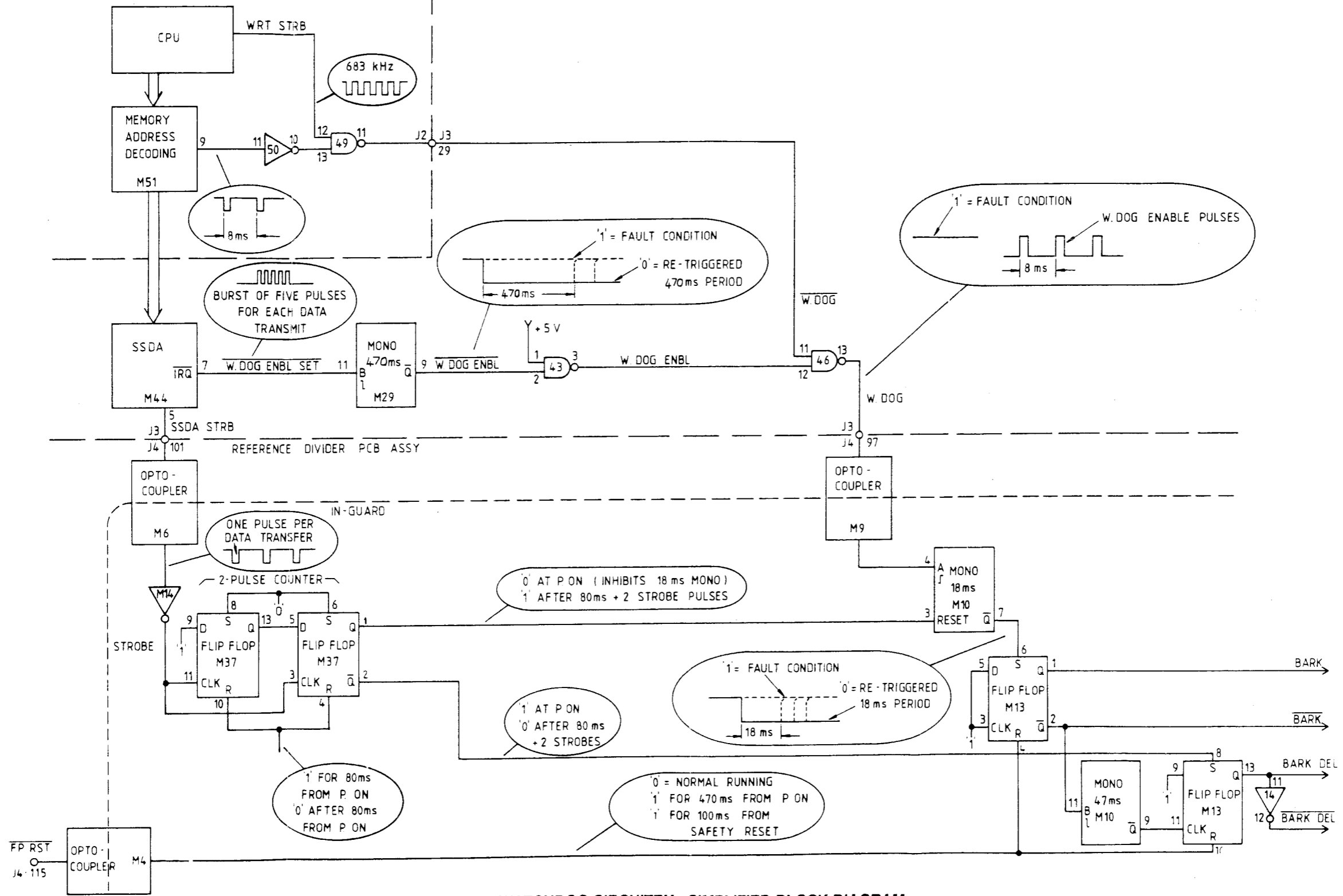


FIG. 6.17 WATCHDOG CIRCUITRY - SIMPLIFIED BLOCK DIAGRAM



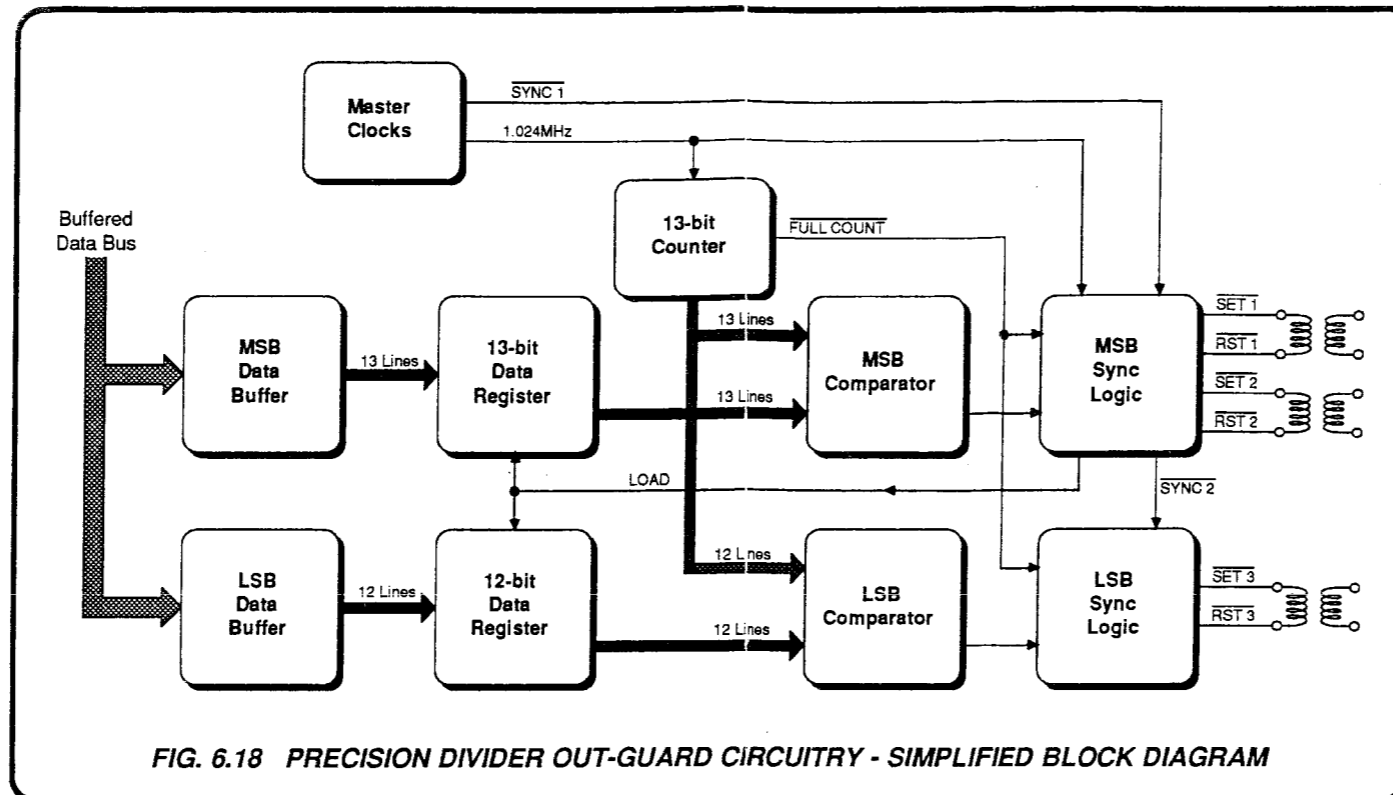


FIG. 6.18 PRECISION DIVIDER OUT-GUARD CIRCUITRY - SIMPLIFIED BLOCK DIAGRAM

## 6.5 PRECISION DIVIDER

The out-guard circuitry described in this section performs the following functions:

- Receives and latches the demanded output value from the CPU in the form of a 25-bit word.
- Generates a continuous 13-bit up-count from the 1.024MHz Master Clock (8ms count cycle).
- Compares the 13-bit count with the 13 most-significant bits of the 25-bit word, generating 'Set' and 'Reset' pulses. These are transferred into guard to trigger the 'Most Significant' JFET switch in the Reference Divider.
- Compares the 12 most-significant bits of the count with the 12 least-significant bits of the 25-bit word, generating 'Set' and 'Reset' pulses. These are transferred into guard to trigger the 'Least-Significant' JFET switch in the Reference Divider.

The out-guard circuitry is located on the Analogue Interface Assembly.

The in-guard circuitry performs the following functions:

- Provides a Master Reference Voltage (20.6V) which is chopped by the 'Most Significant' JFET switch to generate a square-wave, whose Mark/Period ratio is controlled by the 13 most-significant bits of the 25-bit word. A 7-pole Bessel filter smooths the square-wave to provide a DC voltage, whose value varies directly as the Mark/Period ratio of the MSB square-wave.
- Provides a Buffered Reference Voltage (8.83V) which is chopped by the 'Least-Significant' JFET switch to generate a square-wave, whose Mark/Period ratio is controlled by the 12 least-significant bits of the 25-bit word. A 3-pole Bessel filter smooths the square-wave to provide a DC voltage, whose value varies directly as the Mark/Period ratio of the LSB square-wave.
- Conditions the two DC voltages produced by the Bessel filters, delivering them via full 4-wire connections to be summed on either the DC assembly (for DC output selections) or on the AC assembly (for AC outputs) as a DC 'Working Reference'.

The value of this reference voltage is accurately proportional to the value demanded by the CPU's 25-bit word. For DC outputs, with polarity changeover switching, it can have values between +20V and -20V (including zero); but as a reference for AC outputs, its value lies between +0.126V and +2.79V.

- For AC outputs only, the in-guard circuitry digitally generates a stepped AC reference voltage whose peak value is equal to the DC Working Reference Voltage. This gives the Sense/Reference Comparator (described in sub-section 9.5) the considerable advantage of comparing AC Sense against AC Reference. (If AC were compared with DC, small DC off-sets would magnify and lead to 'DC turnover' errors). The AC waveform is constructed in ten steps by a digitally controlled switching network. It has been given the name 'Quasi-Sinewave'.

The in-guard circuitry is located on the Reference Divider Assembly.

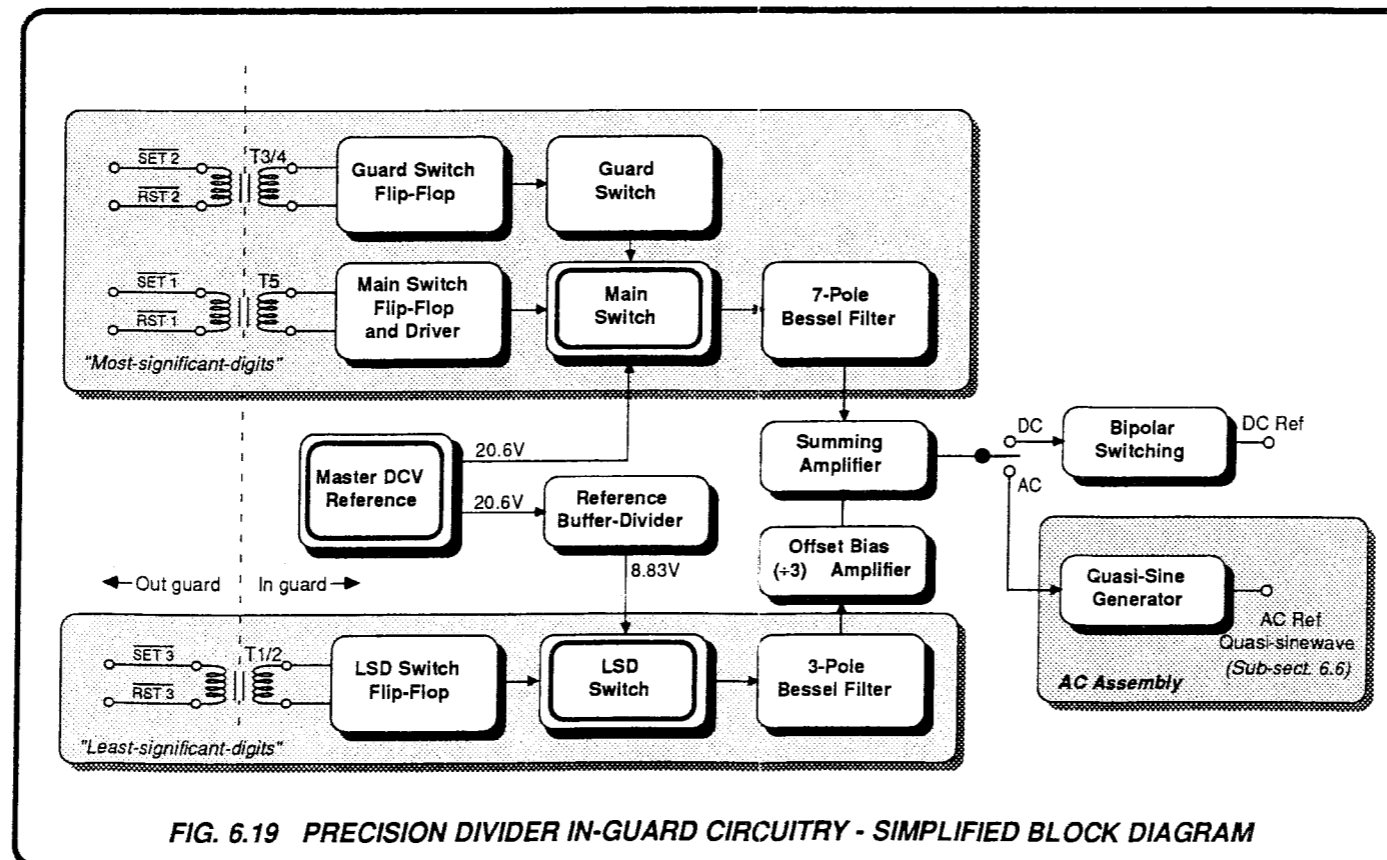


FIG. 6.19 PRECISION DIVIDER IN-GUARD CIRCUITRY - SIMPLIFIED BLOCK DIAGRAM



## 6.5.1 PRECISION DIVIDER COMPARATORS

(Circuit Diagram No. 430648 *Section 11.3*)

### 6.5.1.1 General (*Figs. 6.18 and 6.19*)

The comparators are designed as a means of translating a binary word into the accurately defined Mark/Period ratio of a square-wave. The ratio of the square-wave's average value to its peak value subsequently defines the division ratio applied to the Master Reference, and must be adjustable at high resolution.

The required decimal resolution translates into a 25-bit binary word, each bit needing to exert control of the division ratio. A single comparator of this length would require more than 30 million clocks to scan, which at sensible clock frequencies would occupy several seconds. To filter out the resultant chopping frequency would require large and expensive components, and force unrealistic operational time constraints.

In the Datron Precision Divider, the 25-bit word is split into two parts (13 most-significant bits - MSB; 12 least-significant bits - LSB), a scan-cycling frequency as high as 125Hz is obtained.

Both MSB and LSB comparators are scanned concurrently by the same 13-bit counter, forming two separate square-waves. These act on two separate reference divider switches and filters to generate two separate DC voltages which are subsequently recombined, giving the required resolution.

In summary, the two comparators translate information from the CPU into time-related pulses which control mark/period switching in the reference divider. One comparator operates on the thirteen most-significant bits of CPU data; the other deals with the twelve least-significant bits. The comparators perform concurrently, cycling continuously at 125Hz, taking 8ms per full count.

At the start of each 8ms counting period, each comparator generates a SET pulse to start its reference divider 'Mark' element. Then after precisely-measured delay times, each generates a RESET pulse to terminate the 'Mark', and start the 'Space'.

At each 8ms full-count, the clock resets and continues up-counting from zero.

### 6.5.1.2 Comparator Operation (*Fig. 6.18*)

The MSB and LSB Data Buffers are periodically loaded and latched with binary 'Demanded Output Value' data under the control of the CPU.

At the end of each comparator counting cycle, the 13-bit counter FULL COUNT output enables the generation of set pulses SET 1, SET 2 and SET 3 by the MSB and LSB 'Sync Logic' circuits.

FULL COUNT also generates the LOAD command. This writes the data, currently latched in the buffers, into working data latches which form the 13-bit and 12-bit Data Registers, updating the earlier 'Demanded Output Value' which is resident in the comparator.

The MSB and LSB comparators translate this binary data into 'RESET' pulses, whose time relationships to the 'SET' pulses are established by the value of their binary words.

### 6.5.1.3 13-Bit (MSB) Comparator

(Circuit Diagram No. 430648 *Page 11.3-2*)

The 13 binary outputs of the up-counter scan the 13 Exclusive-OR elements of the MSB Comparator. With the least-significant bit at 512kHz, and the most-significant at 125Hz, the 8ms scan time thus divides into 8192 time elements, each of 977ns.

Each time element has a unique binary code, incrementing by one bit on its predecessor. When this coincides with the bit-pattern set in the data register, the comparator provides an output pulse to the MSB sync logic. The latter generates reset pulses  $\overline{RST\ 1}$  and  $\overline{RST\ 2}$  in synchronism with the signal SYNC1 (2.048MHz).

### 6.5.1.4 12-Bit (LSB) Comparator

(Circuit Diagram No. 430648 *Page 11.3-1*)

This functions in the same manner as the MSB comparator, but scanning only twelve bits over the same 8ms counting period, thus accommodating 4096 time elements of 1954ns for each binary increment.

SYNC2 pulses, generated in the MSB Sync Logic circuitry at half the rate of SYNC1, synchronize the  $\overline{RST\ 3}$  output from the LSB Sync Logic.

## 6.5.2 COMPARATOR CIRCUIT ACTION

### 6.5.2.1 Input Data Latches

(Circuit Diagram 430648 *Pages 11.3-1 and 11.3-2*)

The input buffered data latches M31 to M34 and M37 to M39 receive 27 data bits in four bytes from the buffered data bus. Latches are selected by signals REF DIV 1, 2, 3 or 4 from the memory address decoding on the digital pcb. Data is clocked to the 'Q' outputs of the latches on the positive-going edge of  $\overline{WRT\ STRB}$ .

Data from the input latches is used as follows:

25 bits form a data word to the comparator registers M47, M48, M49 (part), M51 and M52. The remaining 3 bits from the data latches are used for separate functions:

- a. M34-5 triggers monostable M29 (part), whose Q output is inverted and buffered to provide the control  $\overline{UPD\ (OG)}$  used in the relay drive logic for analog switching.
- b. M34-4 (EXT FREQ SEL) selects between the internal 16kHz synchronizing frequency and the 16kHz output from the External Frequency Input Buffer.
- c. M34-3 ( $\overline{BEEP}$ ) triggers the Beeper monostable M55, which is activated to draw attention to display messages.

### 6.5.2.2 13-Bit Counter

(Circuit Diagram 430648 Page 11.3-2)

(Refer to Fig 6-20 for Waveforms)

The counter consists of three 4-bit binary counters M15, M16, M17 and J-K flip flop M42 (half dual package). The squarewave outputs from the counter are on 13 binary-coded lines, the first (least-significant) being a 512kHz squarewave, the others successively divided in frequency to the most significant output of 125Hz.

Bit 1 is provided by J-K flip flop M42, which toggles on each falling edge of the 1.024MHz clock to give 512kHz Q and  $\bar{Q}$  outputs. These outputs are used as follows:

- a. The two complementary 'Q' outputs together provide the least-significant input to the 13-bit comparator;
- b. The Q output controls the counting rate of M15, synchronizes M16 and M17, and is used in the gating of FULL COUNT.

Counters M15, M16 and M17 are cascaded as a 12-bit counter and are synchronously clocked by the 1.024MHz. M15 can count only when its count-enable input M15-7 is set to Logic-1 by the Q output of M42.

As M42 output is at 512kHz, clocking of M15 occurs on the rising edge of alternate 1.024MHz clocks, thus giving outputs of 256, 128, 64 and 32kHz squarewaves from M15.

Counter M16 is enabled by the carry output from M15 together with 512kHz from M42 at the count-enable pins M16-10 and M16-7 respectively, thus giving outputs of 16, 8, 4 and 2kHz squarewaves from M16.

Counter M17 functions in a similar manner to give outputs of 1kHz, 500, 250 and 125Hz squarewaves.

The 2μs-long 'Carry' output from M17 occurs at the end of the 125Hz output when all counter outputs are at Logic-1. The carry output is NAnDED with M42Q output to give the 1μs-long logic command FULL COUNT. The counting cycle resets and continues, starting from bit 1.

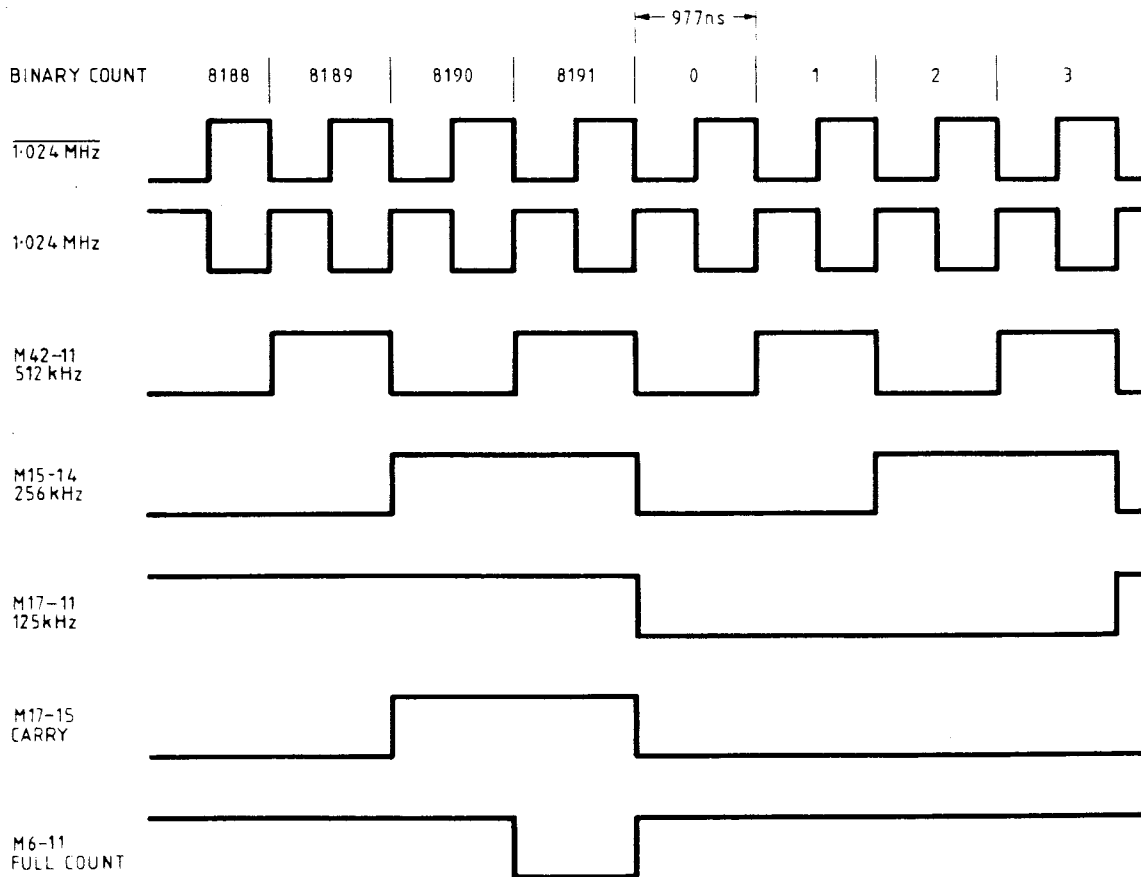


FIG. 6.20 13-BIT COUNTER WAVEFORMS



**6.5.2.3 13-Bit Comparator Action**  
(Circuit Diagram 430648 Page 11.3-2)

The 13-bit comparator provides a Logic-1 output at TP12 whenever a coincidence occurs between the following two sets of data:

- a. Data set in registers M47, M48 and M49-1;
- b. Data from 13-bit counter M42, M15, M16 and M17.

Twelve exclusive-OR elements M25, M26, M27 and three NOR gates of M12 are used to detect a coincidence. The data in the registers is preset by the CPU, while that presented by the 13-bit counter cycles through every binary combination possible on 13 lines.

Two coincident inputs to an exclusive-OR gate provide a Logic-0 to the 12-input NOR gates M24/M23; full coincidence in bits 2 to 13 is shown by a Logic-0 at NAND M13-6. Coincidence at bit 1 is shown by Logic-0 at M12-13 and M12-4 (M12 acting as an exclusive-OR gate) as follows:

M12 INPUT PINS			OUTPUT PINS	
6	11	9/12	4	13
0	1	0	0	0
0	1	1	1	0
1	0	0	0	1
1	0	1	0	0

} Only 4 input combinations available

A  $\overline{\text{BUSY}}$  signal is generated by the comparator at NAND M50-13 (TP2) when the 13-bit counter approaches full count. Bits 8 to 13 are at Logic-1 for the period of 125 $\mu\text{s}$  preceding the end of the counter cycle (see Fig. 6-21). The  $\overline{\text{BUSY}}$  level is applied to the M49 D-input at pin 9 and is synchronously clocked through as the signal  $\overline{\text{REF BUSY}}$  to buffer M45-2 by 1.024MHz.

As described earlier, the demanded output value is defined by the CPU to a resolution of 25 bits, contained in four data bytes. The time needed for the 4-byte transfer could allow the latches to contain

spurious data until they were fully loaded, and an inaccurate parity could be registered with the counter still running. The counter must not be interrupted, as its full count defines the 'period' of the mark-to-period ratio used to control the division of the reference voltage. It is therefore necessary to reduce the loading time, and this is achieved by double-latching the data.

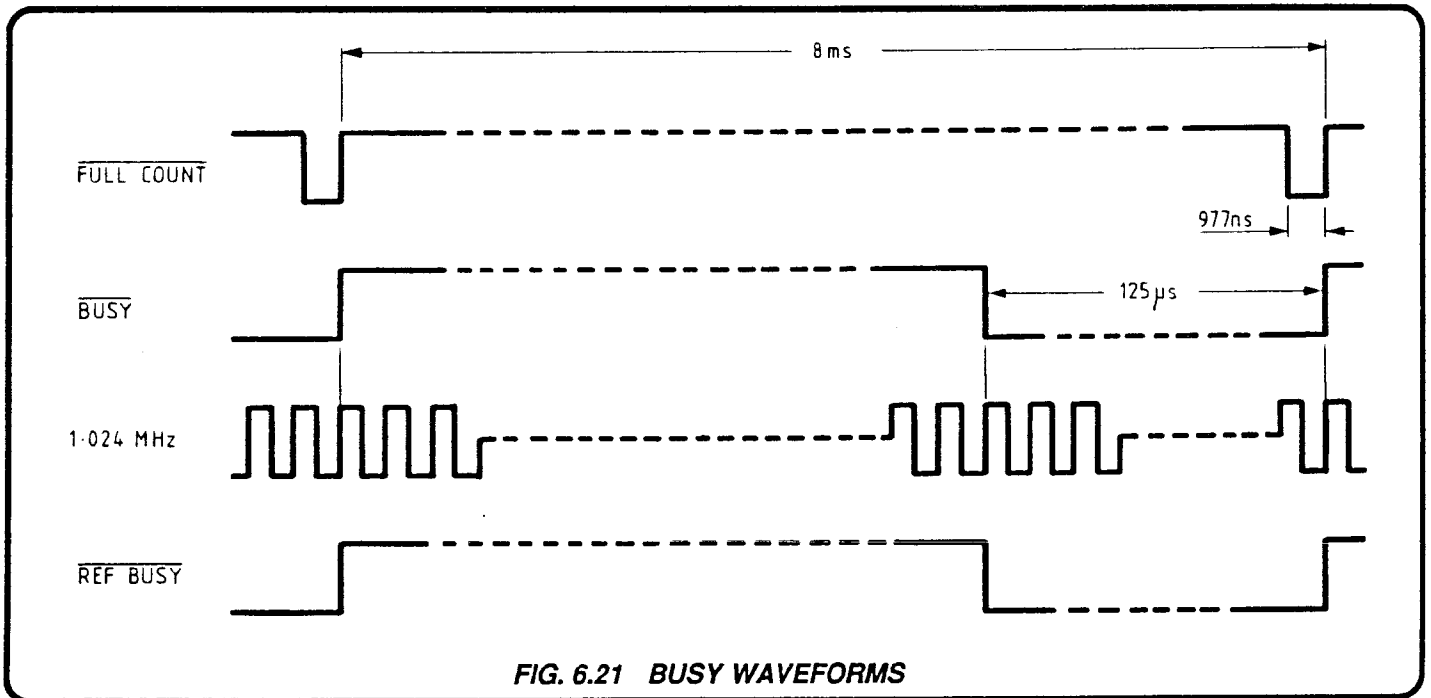
When the CPU has data to load into the input data latches, it first interrogates the comparator by enabling buffers M45 using the signal  $\overline{\text{REV DIV RD}}$ . The  $\overline{\text{REF BUSY}}$  signal at Logic-1 (M45-3) indicates to the CPU that enough time is available to load the latches (at least 125 $\mu\text{s}$  remain before the LOAD pulse occurs).

If the  $\overline{\text{REF BUSY}}$  signal is at Logic-0, the CPU waits until it returns to Logic-1 again.

When the  $\overline{\text{REF BUSY}}$  signal is at Logic-1, the CPU loads the data by first carrying out four transfers of one byte each into the seven quad buffer latches M31 to M34, and M37 to M39. Each byte's destination is addressed by one of the chip-select signals  $\overline{\text{REF.DIV.1}}$  to  $\overline{\text{REF.DIV.4}}$ , which enables the selected buffer latches. The data is latched by the  $\overline{\text{WRT STRB}}$  signal.

Once the full 25-bit word has been latched into the buffers, it is available as a single word at the data inputs of the comparator latches M47, M48, M49, M51 and M52. The CPU again interrogates the comparator by  $\overline{\text{REV DIV RD}}$ , and five of the elements of M45 buffer the five most-significant data bits back to the CPU. If parity with the transmitted data is confirmed, the CPU takes no action. When the counter times out, the  $\overline{\text{FULL COUNT}}$  signal is clocked through to M14-6 by  $\overline{\text{SYNC 2}}$  as the LOAD signal, and the new data is transferred into the comparator latches.

If the data latched in the buffers is not as transmitted, the CPU initiates the FAIL 4 message procedure to the operator.



**FIG. 6.21 BUSY WAVEFORMS**

### 6.5.2.4 'Most Significant Bits' SYNC Logic

(Circuit Diagram 430648 Page 11.3-2)

(Refer to Fig. 6.22 for Waveforms)

This circuit, M14, M6, M7 and M8, provides the following signals:  $\overline{\text{SYNC 2}}$ , LOAD,  $\overline{\text{SET 1}}$ , SET 2,  $\overline{\text{RST 1}}$  and  $\overline{\text{RST 2}}$ .

$\overline{\text{SYNC 2}}$  is obtained by NAND gating 1.024MHz and SYNC1 to give a synchronizing pulse at half the rate of SYNC1.

The LOAD pulse enables the 13-bit comparator registers, and is generated at M14-6 at the end of the counter's full-count output. FULL COUNT sets the D input M14-2 and the level is clocked, inverted, from M14-6 by the next two  $\overline{\text{SYNC 2}}$  pulses that occur.

The inverse of LOAD is used to time the pulse  $\overline{\text{SET 1}}$  by NOR-gating at M7-4 with 1.024MHz. The M7-4 pulse is NAND-gated

with SYNC1 to provide  $\overline{\text{SET 1}}$  from M8-1. The pulse  $\overline{\text{SET 2}}$ , which occurs 977ns before  $\overline{\text{SET 1}}$ , is obtained by gating the signal FULL COUNT with 1.024MHz at NOR M7-10 and then NAND-gating at M8-10 with SYNC1.

Reset pulse generation (see Fig. 6.23) is initiated by a Logic-1 level at TP12. This can occur at any one of the 8192 binary counts of the 13-bit counter, its actual time slot depending on the binary count at which the coincidence occurs.

The coincidence level at TP12 is NAND gated at M6-8; M6-10 being at Logic-1 for all binary counts except 8191. The Logic-0 at M6-8 is NOR-gated at M7-1 with 1.024 MHz, this is then used to select the next SYNC1 pulse via NAND M8-4 to provide the pulse  $\overline{\text{RST 1}}$ .

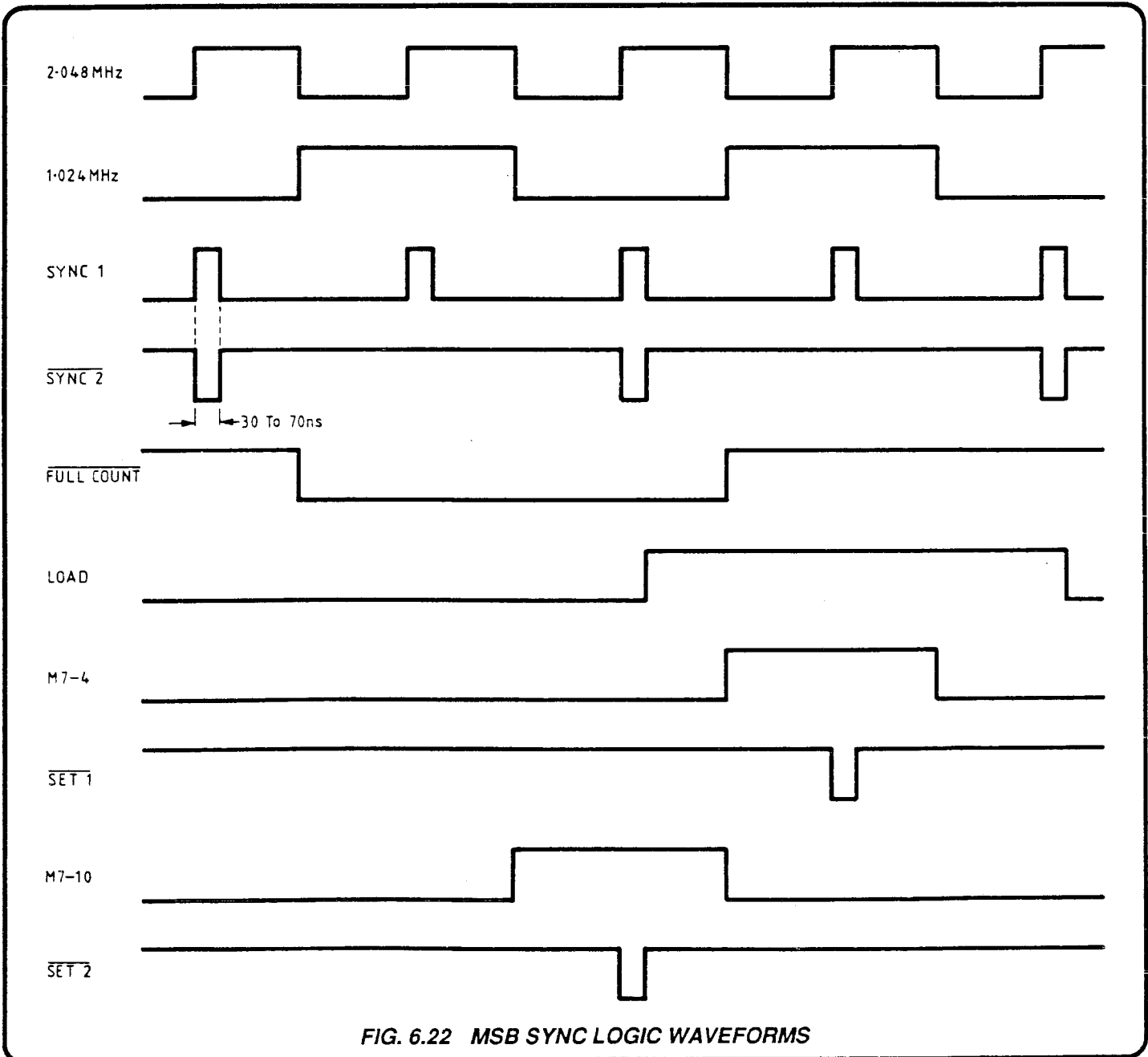


FIG. 6.22 MSB SYNC LOGIC WAVEFORMS

The coincidence level at TP12 is used to set the D input at flip-flop M14-12. This level is clocked to NAND M6-5 by the next SYNC 2 pulse. NAND input M6-4 is at Logic-1 except when LOAD is active, thus M14-9 output is inverted at M6-6 to be NOR-gated with 1.024MHz at M7-13. This is then used to select the next SYNC1 pulse via NAND M8-10 to provide the pulse  $\overline{RST\ 1}$ .

The pulse-timing example given in Fig.6.23 shows the generation of  $\overline{RST\ 1}$  and  $\overline{RST\ 2}$  when coincidence occurs in the comparator at binary count = 0 (waveforms in continuous lines).

Coincidence occurring at binary count 1 causes  $\overline{RST\ 1}$  and  $\overline{RST\ 2}$  to increment in time by 977ns with respect to the SET 1 and SET 2 pulses (waveforms in broken lines).

$\overline{RST\ 1}$  and  $\overline{RST\ 2}$  are generated with the same relationship in time to the comparator coincidence when the latter occurs in any binary count time slot from 0 to 8190 (inclusive).

Note that as the comparator word increments in value,  $\overline{RST\ 1}$  and  $\overline{RST\ 2}$  increment in time after SET 1 and SET 2, which remain stationary with respect to FULL COUNT and LOAD.

$\overline{RST\ 1}$  and  $\overline{RST\ 2}$  are inhibited when coincidence occurs at binary count 8191 to allow for the re-loading of the input registers at the end of the counter cycle. The inhibit is performed by the level of FULL COUNT going to Logic-0 and NAND M6-10, preventing  $\overline{RST\ 1}$  being generated; and by flip-flop M14-5 output going to Logic-0 for the period of the load pulse, inhibiting  $\overline{RST\ 2}$ .

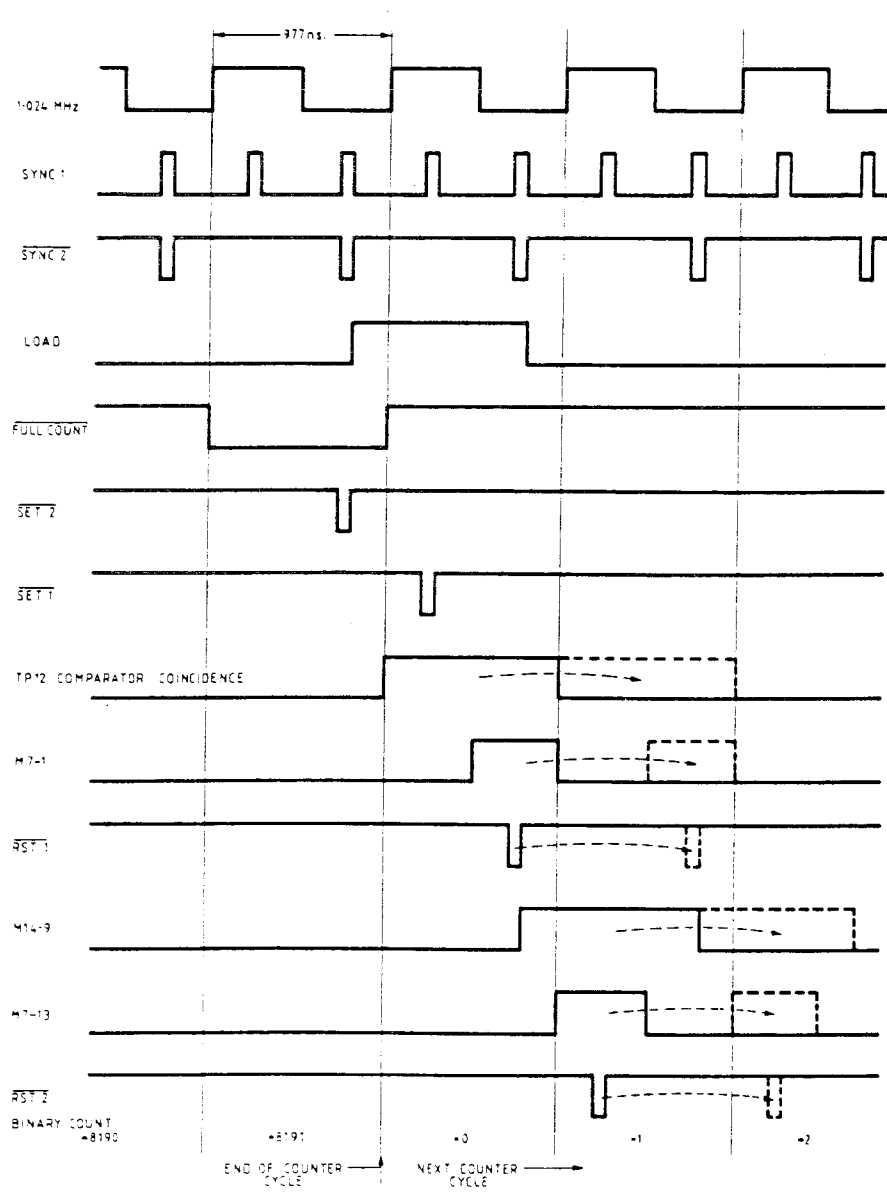


FIG. 6.23 MSB SET/RESET PULSE GENERATION

**6.5.2.5 12-Bit Comparator Action**  
(Circuit Diagram 430648 Page 11.3-1)

This functions in an identical manner to the 13-bit comparator previously described. Twelve exclusive-OR gates, M19, M20 and M21, receive the 12-bit binary output from the common counter and compare these bits with the data in the data registers.

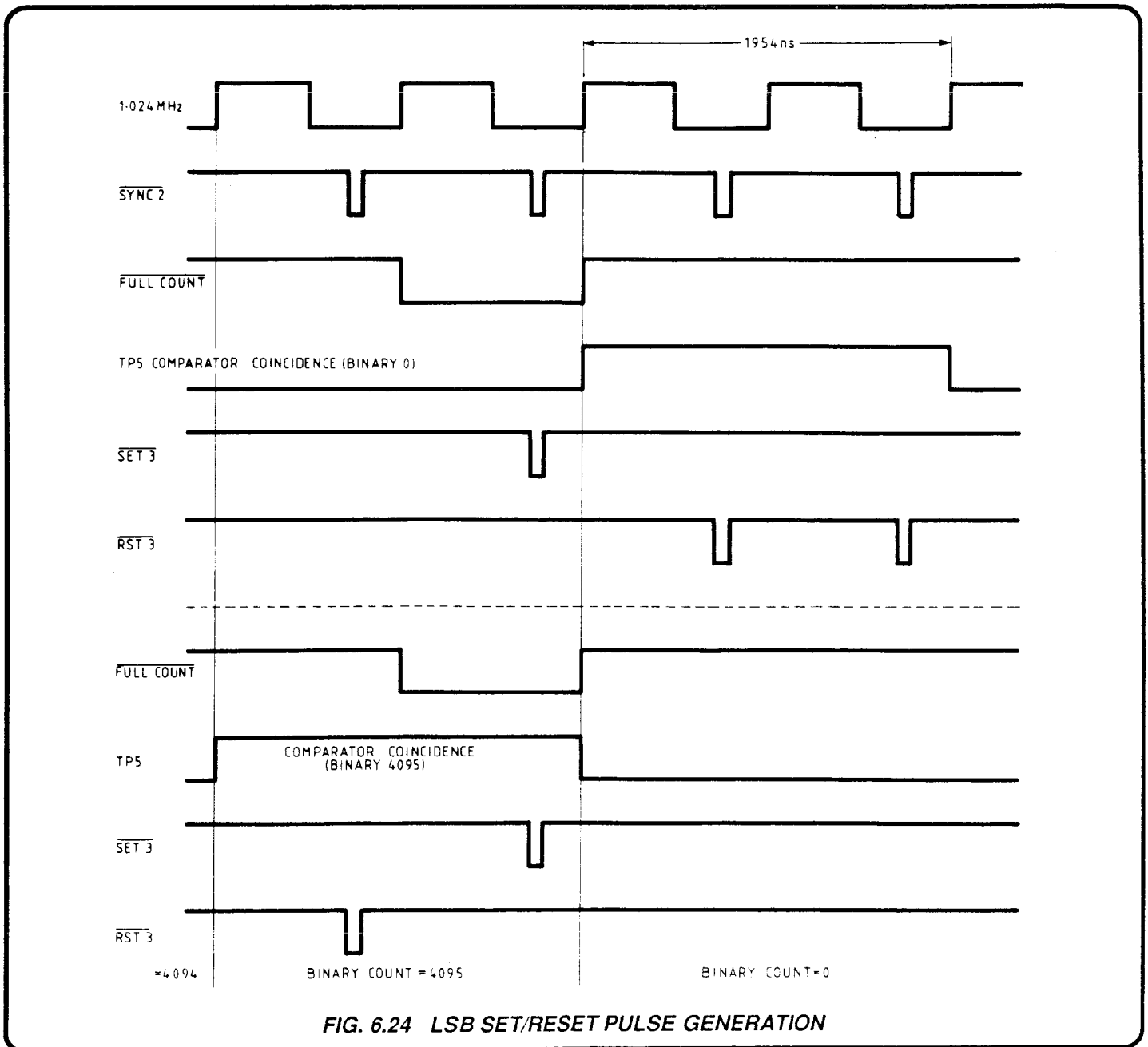
The least-significant bit changes at a rate of 256kHz, and the most-significant bit at 125Hz. Coincidence occurring in any of the 4096 binary-count time slots available in the comparator cycle is shown as a Logic-0 at TP5 for a period of 1954ns.

**6.5.2.6 'Least Significant Bits' SYNC Logic**  
(Refer to Fig. 6.24 for Waveforms)

The timing of SET 3 is controlled by the FULL COUNT pulse from the 13-bit counter. The inverted FULL COUNT at M43-6 is gated with the inverted SYNC 2 from M43-11 to give, at M46-1, SET 3.

The comparator coincidence logic level is inverted to Logic-0 at M12-1; M12-2 being at Logic-0 except when FULL COUNT is low. The waveform at M12-1 lasts for 1954ns and therefore allows two consecutive SYNC 2 pulses to be gated to M46-4 (RST 3).

This condition exists for all RST 3 timings except at the binary count of 4095; in this instance, the FULL COUNT pulse occurs after the gating of the first SYNC 2 pulse, sets M12-2 to Logic-1 and so prevents the second pulse appearing at RST 3. In practice, the second pulse of RST 3 has no operational significance.



**FIG. 6.24 LSB SET/RESET PULSE GENERATION**

### 6.5.3 REFERENCES and REFERENCE DIVIDER

(Circuit Diagrams 430652 Section 11.4)

(Refer also to Fig. 6.19)

The set and reset pulses from the precision divider comparators control the timing of JFET switches, which in turn chop the Master Reference voltages.

The chopped references are filtered to generate two voltages whose levels are proportional to the MSB and LSB squarewaves' mark:period ratio (duty cycle). These MSB and LSB voltages are conditioned, and transferred to the AC Assembly by full 4-wire sensed connection where they are summed at a star-point to generate a Working Reference: 'REF+Ve'. The output voltage increments at high resolution (0.03ppm: approx. 0.6 $\mu$ V), with a maximum possible range of adjustment of 0-20V.

The high resolution associated with the full 13-bit count and a 20V reference is advantageous for DC outputs. Such resolution, however, is not strictly necessary for the accuracies associated with AC outputs; and also the 1V Range is the basic AC range, all other ranges employing either attenuation or amplification.

For AC outputs, therefore, the working reference is reduced to a range from 0.126V to 2.79V by software. This results in a reduction of the maximum mark:period ratio of the chopping waveform to about 0.14.

---

### 6.5.4 MASTER REFERENCE

(Circuit Diagram DC400761 Page 11.4-2)

The Master Reference determines the fundamental long and short term stability of the whole calibrator. It is a separate PCB mounted on the Reference Divider assembly.

(Refer to the Layout Drawing facing Page 11.7-7)

At the heart of the reference circuit is the zener diode chip M2, which also contains a coarse temperature compensating element (the base-emitter junction between pins 4 and 7) and a temperature sensing element (the base-collector junction between pins 6 and 8). The voltage generated across pins 6 and 8 varies with the temperature of the chip M2, which also contains the Zener Diode element. Amplifier M1A and associated circuitry provide a constant current bias for the zener diode element and temperature compensating element of M2. Amplifier M1B and the circuitry associated with it detect the temperature of the chip M2 and drive a variable current through the heater element between pins 1 and 2. Careful design of the entire thermal and electrical system ensures that this feedback loop, when equilibrium is reached, will maintain the temperature of the Zener Diode chip to within a few millidegrees.

The output of the Zener Diode is approximately 7.2V, which is amplified to 20.6V by amplifier M3. This is an approximate value, but it has high time and temperature stability. Correction constants are stored for the Absolute Reference value are stored in non-volatile memory and applied to affect the mark/period ratio of the JFET Reference Divider switching squarewave. During Instrument recalibration, these constants are updated. M4 and Q2 provide a remote sensing 4-wire drive of this voltage to the 'Most Significant' Switch in the Reference Divider.

The master reference circuit, including Zener Diode chip, temperature control amplifier, output amplifier and 4-wire sensing amplifier are assembled, conditioned and tested as a single entity, and therefore there is no method of repairing and testing a reference module without specialized test equipment and processes. If a fault is suspected on the Reference PCB Assembly, (DC400761), contact your Datron Service Center.

---

### 6.5.5 REFERENCE BUFFER-DIVIDER

(Circuit Diagram 430652 Page 11.4-2)

R80 and R81 drop the 20.6V Master Reference voltage (V Ref) to +8.83V. M23/Q40 is a voltage-follower providing +8.83V with respect to Common-4 at the star-point TP11 to supply the Least-Significant Digit switch.

6.5.6 LEAST-SIGNIFICANT-DIGITS SWITCHING  
(Fig.6.26)

6.5.6.1 Switch Driver

$\overline{\text{SET}}\ 3$  and  $\overline{\text{RST}}\ 3$  pulses from the LSB Comparator in the Analog Interface Assembly are transferred into guard via pulse transformers T1 and T2, whose centre-tapped secondaries are balanced about Common-4 0V (T1) and +9V (T2).

Q5-Q8 form a fast bistable using emitter-coupled logic, to switch TP1 between +9V (mark) and +20V (space). During the "Mark" time after  $\overline{\text{SET}}\ 3$  pulse, Q29 and Q30 are switched ON, connecting LKA to +9V Ref. Q1-Q4 have the same bistable action as Q5-Q8, switching Q31 off during the "Mark" period by -11V at TP2, thus disconnecting LKA from Common-4 (0V). During the "Space" time after  $\overline{\text{RST}}\ 3$  pulse, Q29 and Q30 disconnect LKA from +9V Ref, and Q1-Q4 switch Q31 on, connecting LKA to Common-4 (0V). Fig.6.26 demonstrates this action.

6.5.6.2 JFET Switch and 3-Pole Filter

The combined action of the switch FETs alternately provides charging current for the 3-pole filter (during "mark") and discharging current (during 'space').

Two JFETs in parallel (Q29 and Q30) are necessary to equalize the charging and discharging time-constants by matching the "ON" resistances. This preserves linearity of the filter output voltage over the full range of mark/period ratios applied via the set and reset pulses.

The 3-pole filter has the advantage of not being in series with the DC output signal. The 125Hz ripple content is reduced to a level which is acceptable within the overall instrument specification. The filter output is buffered by voltage-follower M16.

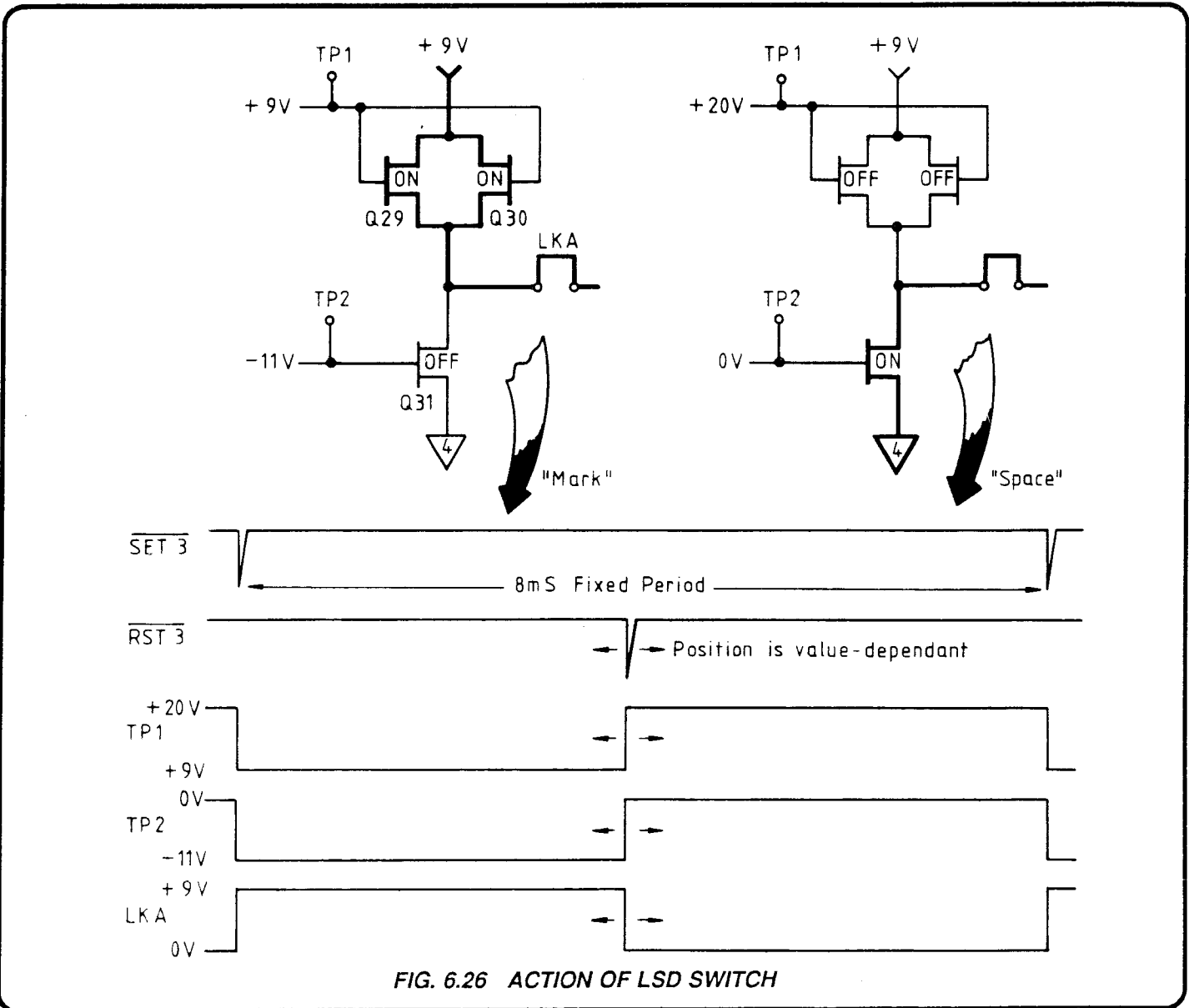


FIG. 6.26 ACTION OF LSD SWITCH

### 6.5.6.3 Offset Bias Amplifier

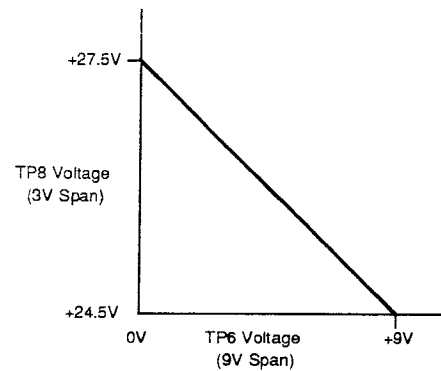
M20 performs a dual role:

- a. Its gain is set to 1/3 by R65/R64
- b. Its output is level-shifted to provide an offset bias for summing (this allows the summed output to have a negative zero offset).

Also a small thermal coefficient zero correction is factory-preset (D10/R85).

M20 transfer function is approximately as shown.

The actual values are as set digitally in software, affecting the mark:period ratio of the J-FET switches, using stored calibration constants.



### 6.5.7 MOST-SIGNIFICANT-DIGITS SWITCHING (Circuit Diagram No. 430652 Page 11.4-1)

The large reference voltage (20.6V) and the need for higher resolution makes the MSB Switching circuitry more complex than for LSB; but the principle is the same: the set and reset pulse-timing adjusts the mark:period ratio of the square wave fed to the filter.

The arrangement used for the MSB switching satisfies two essential requirements:

- a. The charge and discharge path resistances for the 7-pole filter must be closely matched.

- b. The leakage current of the path switched off must be minimal.

Requirement (a) demands that the matched devices used in both paths are of the same type (P-channel JFETs have approximately 10 times the "on" resistance of N-channel types). But without the voltage standoff and leakage current shunt created by the guard switch, the pinch-off gate voltage for one of the paths would be high enough to generate gate-leakage current in excess of requirement (b).

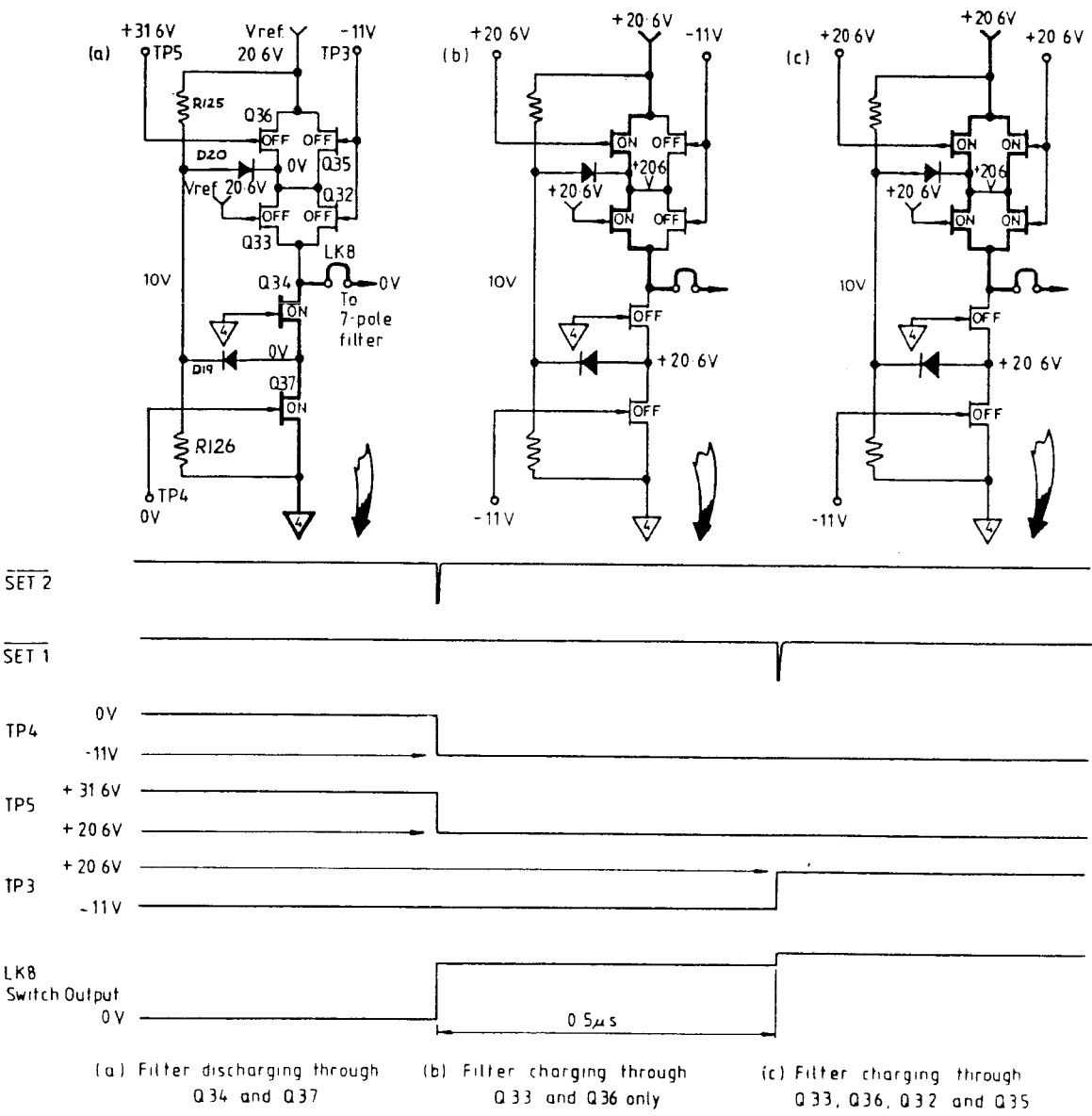
A description of the Main and Guard Switch action is given overleaf.

**6.5.8 MAIN and GUARD SWITCHES** (Fig. 6.27)  
(Circuit Diagram 430652 Page 11.4-1)

Refer to Fig. 6.27, in which only the Space to Mark (SET) state transfer a-b-c is shown.

The Mark to Space (RESET) transfer is symmetrical c-b-a.

The switch driver flip-flops establish the voltage shown at TP3, 4 and 5 as controlled by the set and reset pulses. The drivers are ECL fast bistables, but note that Q19 and Q20 are included in the main switch driver as a level-shifter for Q32/Q35.



**FIG. 6.27 ACTION OF MAIN AND GUARD SWITCHES (MSD)**

**6.5.8.1 Switch Timing**  
(Fig. 6.27)

$\overline{\text{SET}}\ 1$  pulse is delayed by  $0.5\mu\text{s}$  after  $\overline{\text{SET}}\ 2$  pulse, and  $\overline{\text{RST}}\ 2$  is delayed by  $0.5\mu\text{s}$  after  $\overline{\text{RST}}\ 1$ .

$\overline{\text{SET}}\ 2$  and  $\overline{\text{RST}}\ 2$  pulses control the timing of Q36, Q33, Q34 and Q37 in the main switch (TP4 and TP5).

$\overline{\text{SET}}\ 1$  and  $\overline{\text{RST}}\ 1$  pulses turn Q35 and Q32 on and off (TP3). Because of the  $0.5\mu\text{s}$  delays, Q35 and Q32 conduct only during the time that Q36 and Q33 are also conducting.



### 6.5.8.2 Filter Discharge Path

In *Fig. 6.27(a)* the switches are in "space" state:

Q37 and Q34 are turned on by TP4 at 0V, to provide the filter discharge path.

Q33 and Q36 are turned off by TP5 at +31.6V,

Q32 and Q35 are turned off by TP3 at -11V.

The filter discharges via resistor R79 and FETs Q34 and Q37. During both Mark and Space periods, R79 (78.7k $\Omega$ ) is a major determinant of the 7-pole filter charge and discharge currents. Because in 'space' state the 'On' resistances of Q34 and Q37 (3 $\Omega$ -5 $\Omega$  each) are very small in comparison, the potential at link B can be regarded as zero when considering the effects of the other switching voltages.

Reverse leakage currents in JFET junctions are normally of the order of a few picoamps unless the junction voltages are much in excess of 20V. To control leakage effects from the four JFETs which are turned off, the cathode of diode D20 is connected to the common junction of the four devices. Its anode is returned to the junction of R125 and R126, close to +10V.

The reverse leakage characteristics for a J108 FET (Q35 and Q32) are generally several times heavier than for a J174 (Q36 and Q33). This means that in this switch, the leakage currents via Q35 and Q32 out of the common junction are 4-5 times greater than those entering via Q36 and Q33.

The net leakage out of the junction holds D20 slightly in forward bias, so that its cathode cannot rise above about +10.3V, when the four FETs are turned off in 'space' state. Thus D20 guards the 'buffer' FETs Q33 and Q32 from the effects of the relatively high voltage on Q36 gate. The effects of the buffer FETs' own leakages on the voltage at the filter input can be regarded as negligible, because Q33 leakage currents towards LKB are virtually balanced by those away via Q32.

### 6.5.8.3 Filter Charge Path

To preserve linearity over the full range of Mark:Period ratios, the filter charging path time constant must closely match that of the discharge path. Q35 and Q32 are factory-selected to form a matched set with Q34 and Q37, all J108 N-channel FETs (the 'on' resistance of P-channel FETs in a true complementary switch would be much higher, of the order of 30 $\Omega$ -40 $\Omega$ ). Nevertheless, to avoid high voltages being developed across Q35/Q32 when changing between states (causing excessive leakage), P-channel FETs are employed. Q36/Q33 are switched on before (and switched off after) Q35/Q32.

*Fig. 6.27(b)* shows this intermediate state after  $\overline{\text{SET 2}}$  and before  $\overline{\text{SET 1}}$ , and *Fig. 6.27(c)* illustrates the fully-conducting state after  $\overline{\text{SET 1}}$ . Note that for descriptive purposes, the second step on LKB waveform is heavily exaggerated, and is not readily viewed on an oscilloscope. The slightly longer charging time-constant during this half micro-second, due to the higher resistance of Q36/Q33, is not sufficient to disturb the linearity of the filter in excess of specification.

The voltage between TP4 and LKB during 'mark' state is some 31 volts. In the absence of D19, an adverse voltage distribution could cause excessive reverse leakage in Q37. D19 controls the distribution by limiting the voltage at its cathode to about +10V, constraining Q37 source-gate voltage to a tolerable 20.5V.

---

## 6.5.9 7-POLE FILTER

(Circuit Diagram 430652 Page 11.4-1)

M26, M28, M32, Q41 and Q42, together with associated capacitors and resistors, form a 7-pole Bessel filter in three active elements; providing approximately 135dB of attenuation at the 125Hz switching frequency and increasing at a rate of 140dB/decade. This allows sufficient bandwidth to avoid excessive settling time while reducing the output ripple to within instrument specification. Q41 and Q42 source-followers provide input bias currents for M26 and M28 from the 15V supplies, and buffer the line from bias-current effects. M32 bias-current effects are insignificant.

The '+Ve SUMMING AMP' filter output DC voltage (TP13), is fed to a buffer amplifier for subsequent summing with the output from the Least-Significant Switch offset-bias amplifier. R101 and C51 prevent any spike remnants from the chopper-stabilized buffer amplifier being fed back into the filter.

## 6.5.10 SUMMING AMPLIFIER (Circuit Diagram 430652 Page 11.4-3)

### 6.5.10.1 '+VE SUMMING AMP' Buffer

M33, M34 and Q44 buffer the '+Ve SUMMING AMP' voltage output from the 7-pole filter (this is proportional to the Mark/Period ratio of the 13 most-significant bits of the binary word which defines the instrument output value demand).

M33 is a high-gain, chopper-stabilized integrator with a bandwidth of approximately 10Hz, and Q44 provides additional bandwidth for rejection of HF common-mode noise.

M35, D14, D15, Q48 and Q49 generate boot-strapped supplies to preserve full dynamic-range linearity. Q46 and Q47 establish 3mA constant-current drives for D14 and D15.

The whole amplifier acts as a voltage-follower, M34/Q45 providing the output drive, buffering the output of M33 and Q44. The output 'Hi O/P' is delivered to the DC assembly via RL2 for positive DC outputs, or via RL1 if the output is to be negative. For AC outputs, it is always delivered to the AC assembly via RL2 (RL1 being permanently de-energized for AC ranges). The output is sensed either in the DC or AC assembly to account for the volts-drops in the connecting circuit. The sense feedback voltage 'Hi SENSE' is applied to the inverting input of the whole buffer via R98.

For a zero count in the MSB comparator, the filter output voltage is approximately +3.2mV, and a full count of 8191 would produce +20.6V. These are the voltages which are developed at the buffer output.

### 6.5.10.2 '-VE SUMMING AMP' Buffer

M38, M39 and Q51 buffer the '-Ve SUMMING AMP' voltage output from the Offset Bias Amplifier derived from the 3-pole filter (this is proportional to the Mark/Period ratio of the 12 least-significant bits of the binary word which defines the instrument output value demand).

The dynamic range of the filter output voltage was originally defined by the Reference Buffer (8.83V) for efficient operation of the FET switching circuitry.

It was scaled in the Offset Bias Amplifier to give +27.5V for an LSB comparator count of zero (from approx. +1.1mV at TP6), and +24.5V for a full count of 4095 (from +8.83V at TP6). It now needs to be scaled down so that it has correct proportionality to the '+Ve SUMMING AMP' dynamic range.

R99 and R100 attenuate the '-Ve SUMMING AMP' input voltage by a factor of  $0.8545 \times 10^{-3}$ . At zero count, +27.5V is reduced to +23.5mV, and at full count +24.5V reduces to +20.9mV. These are the extremes of voltage developed at the buffer output.

The whole amplifier acts as a voltage-follower, but without bootstrapped supplies (the small input voltage dynamic range of approx. 2.5mV does not warrant it). Otherwise the circuit is identical to the '+Ve SUMMING AMP'. M39/Q52 provide the output drive, buffering the output of M38 and Q51.

The output 'Lo O/P' is delivered to the DC assembly via RL2 for positive DC outputs, or via RL1 if the output is to be negative. For AC outputs, it is always delivered to the AC assembly via RL2 (RL1 being permanently de-energized for AC ranges).

The feedback voltage, sensed in the DC or AC assembly, is returned via the appropriate relay, and applied to the inverting input of the whole buffer via R127.

### 6.5.10.3 Summing

On the DC or AC assembly, the outputs from the two buffers are summed by defining the 'Lo O/P' level as 'Reference Common' (Common-1 for DC, Common-2C for AC), and the 'Hi O/P' level as 'REF+Ve'. Thus at any instant, the voltage developed as 'REF+Ve' with respect to 'Reference Common' will always be 'Hi O/P' minus 'Lo O/P', at their current values.

The reference voltages and reference division circuitry are chosen to allow for software calibration adjustments, so the summing span overlaps the possible required span of 0V to 19.999999V at both extremes:

With an overall 25-bit count of zero in the comparators, REF+Ve is +3.2mV minus +23.5mV, a negative overlap of 20.3mV.

At overall full count, REF+Ve is +20.6V minus +20.9mV, approximately +20.58V.

### 6.5.10.4 Bipolar Reference Switching

Relays RL1 and RL2 are used in DC ranges for polarity reversal. However, this is not necessary for AC operation, for which RL1 is un-energized, and RL2 is energized, outputs from the summing buffers being fed to the AC assembly via RL2.

### 6.5.10.5 DC and AC References

For DC operation, the summed DC reference is applied to the Error Amplifier directly (*refer to page 11.5-1*), but for AC operation, the DC reference is applied to a voltage divider which is used to provide a 'Quasi-sinewave' AC reference signal.

The generation of this signal is described in *Section 6.6*.

## 6.6 AC REFERENCE - THE QUASI-SINEWAVE

### 6.6.1 AC-to-AC SENSE/REF COMPARISON

In the Sense/Reference comparator, a considerable advantage is gained by comparing AC with AC. (If AC sense were compared with DC reference, small DC offsets would be magnified, leading to 'DC turnover' errors). The AC waveform used as reference is constructed in ten steps by a digitally controlled switching network, based on the DC reference as its peak value. It has been given the name 'Quasi-Sinewave'.

To drive the VCA, the comparator produces a DC error signal which is proportional to the difference in 'Mean Square' values, and is driven to zero by the action of the Output-Sense loop. At zero error the RMS value of the comparator's sense input has thus been adjusted by the loop to be equal to the RMS value of its reference input.

On the 1V Range there is neither amplification nor attenuation in the Output-Sense loop. The quasi-sinewave is designed so that with the 1V Range selected, its RMS value is equal to the voltage demanded on the front panel OUTPUT display, (with small, controlled adjustments for calibration).

On higher ranges, decades of amplification are switched in to set the output to the demanded voltage. Switched decades of attenuation reduce the sensed sinewave back to the 1V-Range level for comparison with the quasi-sinewave.

For millivolt ranges, the instrument output terminals are not within the output/sense loop. Instead, the AC 1V output from the 1V buffer is sensed internally and applied to the comparator to complete the loop. The AC 1V signal is reduced to the selected millivolt range levels at the terminals by precise, passive, decade attenuators.

On current ranges, the current reference is derived from either the closed 1V or 10V Range Output/Sense loop.

Therefore on all ranges the Output/Sense loop gain is driven to a magnitude of 1, so that the VCA and the comparator both operate at 1V Range levels.

### 6.6.2 DC REFERENCE - SCALING for AC

The Reference Divider hardware is common to both DC and AC outputs. On DC ranges, the basic voltage range is the 10V Range, with 100% overrange at Full Scale. In these cases the full span of reference values is employed, generating the resolution necessary to accommodate the DC accuracy available.

The same analog accuracy is not available for AC, so the high resolution is not necessary. Moreover, the linearity of the analog circuitry is improved by using a smaller dynamic range in the reference circuits. So for AC outputs the 1V Range is the basic range, and the software scales its demanded value accordingly.

The sensed output is compared against the quasi-sinewave, whose characteristics match those of the sensed sinewave. To construct the quasi-sinewave, the DC reference voltage needs to be set as its peak value.

The software imposes the scaling factors which establish the reference voltage at the peak value of the quasi-sinewave. Thus the full span of the 25-bit comparator, and hence the possible dynamic range of the DC reference, are realized only on DC ranges and at times when the Reference Divider itself is being calibrated.

Before initial calibration, the maximum obtainable reference voltage for AC is slightly greater than 2.8V, and the minimum is slightly less than 125mV. This overlaps the peak voltages of the quasi-sinewaves corresponding to the maximum and minimum values of sensed output; giving a margin for accurate calibration from digital gain factors held in the non-volatile calibration memory.

### 6.6.3 DC REFERENCE - VOLTAGE VALUES for AC

As mentioned earlier, the DC Reference is used to establish the amplitude of the quasi-sinewave. When the 1V AC Range is selected, the reference is set to the peak value of the quasi-sinewave, which is 1.397 times the demanded RMS (sinewave) voltage output of the instrument. In normal use, therefore, the reference voltage is adjusted by front panel OUTPUT display selections; between 125.7mV (for 0.9V selection) and 2.79V (for 1.999999V selection), plus or minus any user-calibration corrections.

On higher and lower AC ranges, analog range switching in the sense amplifiers scales the sense voltages for comparison with the same RMS voltage span of quasi-sinewaves.

### 6.6.4 REFERENCE INVERTER (Circuit Diagram 430844 page 11.7-2)

The quasi-sinewave is derived by a specific form of D-A converter, selecting voltages from a divider network. Because negative values are required, the divider is strung between positive and negative reference voltages. The unity-gain Reference Inverter generates the negative reference 'REF-Ve' by inverting 'REF+Ve'.

M1, M2 and Q1 perform the inversion. M2 generates the bandwidth necessary for amplitude switching operations, while chopper-stabilized integrator M1 removes DC offsets, always referring the inverter output to Common-2C. To compensate for RMS value changes in the quasi-sinewave (due to switching errors arising from frequency changes), feedback from the quasi-sinewave is applied via R1, C4, R4 and C5. Q1 provides the output drive to the quasi-sinewave generator.

### 6.6.5 QUASI-SINEWAVE GENERATOR (Circuit Diagram 430844 page 11.7-3)

The SYNC  $\emptyset$  input to M11-15 RESET, if set to Logic-1, would disable the Quasi-sinewave sequence counter M11. The facility is not required in this application so J7-49 is unconnected on the Mother assembly (page 11.16-2). M11-15 is thus pulled down to logic- $\emptyset$  by R40 to enable the quasi-sinewave for both AC Voltage and AC Current functions.

The quasi-sinewave is generated at a frequency determined by the Frequency Synthesizer 100Hz-4kHz output (para 8.1.3.3 describes the synthesis), clocking the decade counter M11 via J7-50. This continuously recycles M11 in ascending count through Q<sub>0</sub> to Q<sub>9</sub>, ten clocks constituting one cycle of the quasi-sinewave, so the quasi-sinewave runs at a frequency of between 10Hz and 400Hz. The carry C<sub>out</sub> of M11 returns to the Synthesizer via J7-51 to be selected as the reference frequency for the 100Hz (10-330Hz) frequency range.

With increase of frequency range, the difference between the frequencies of output and quasi-sinewave increases in decade steps. As the comparison of sense and quasi-sinewave signals is performed at mean-square DC levels, this difference theoretically does not matter, so long as the signal is at an exact multiple of the quasi-sinewave frequency. However, to achieve optimum operation of the Sense/Reference comparator, each zero crossing of the quasi-sinewave is synchronized to coincide with a sense-signal zero crossing.

Synchronization is achieved by the clock input to M9, which controls the timing of the quasi-sinewave switches M8 and M14. Using the same clocks, M11 and M10 transit times prevent the data from arriving at M9 'D' inputs until the data already established there by the previous clock pulse has been latched at its outputs. Thus data ripples through M11 and M9 at successive clock pulses.

The ripple delays the data by one clock period and would, if left uncorrected, put the switching out of sequence. The arrangement of the connections between M11 outputs and M9 data inputs, combines appropriate outputs so as to correct the switching pattern. The table in Fig. 6.28 demonstrates the rotation of 1 clock period; the quasi-sinewave steps being labelled at M9 inputs and outputs.

The quasi-sinewave is output to the transfer switching input to the Sig/Ref comparator at M16-1. The action of the transfer switch is described in Section 9.5.

A second output is filtered and fed back as compensation to the Reference Inverter as described earlier (para 6.6.4).

Step	0	1	2	3	4	5	6	7	8	9
M11 Output at Logic-1:	Q <sub>9</sub>	Q <sub>0</sub>	Q <sub>1</sub>	Q <sub>2</sub>	Q <sub>3</sub>	Q <sub>4</sub>	Q <sub>5</sub>	Q <sub>6</sub>	Q <sub>7</sub>	Q <sub>8</sub>
M10 Output pin at Logic-1:	4	11	-	11	4	10	3	-	3	10
M9 Output pin at Logic-1:	O <sub>1</sub>	O <sub>4</sub>	O <sub>5</sub>	O <sub>4</sub>	O <sub>1</sub>	O <sub>2</sub>	O <sub>0</sub>	O <sub>3</sub>	O <sub>0</sub>	O <sub>2</sub>
Switch Energized M8 pin: M14 pin:	5 -	6 -	13 -	6 -	5 -	- 5	- 6	- 13	- 6	- 5
Step Voltage fed to M16-1:	+0.42	+1.16	+1.397	+1.16	+0.42	-0.42	-1.16	-1.397	-1.16	-0.42

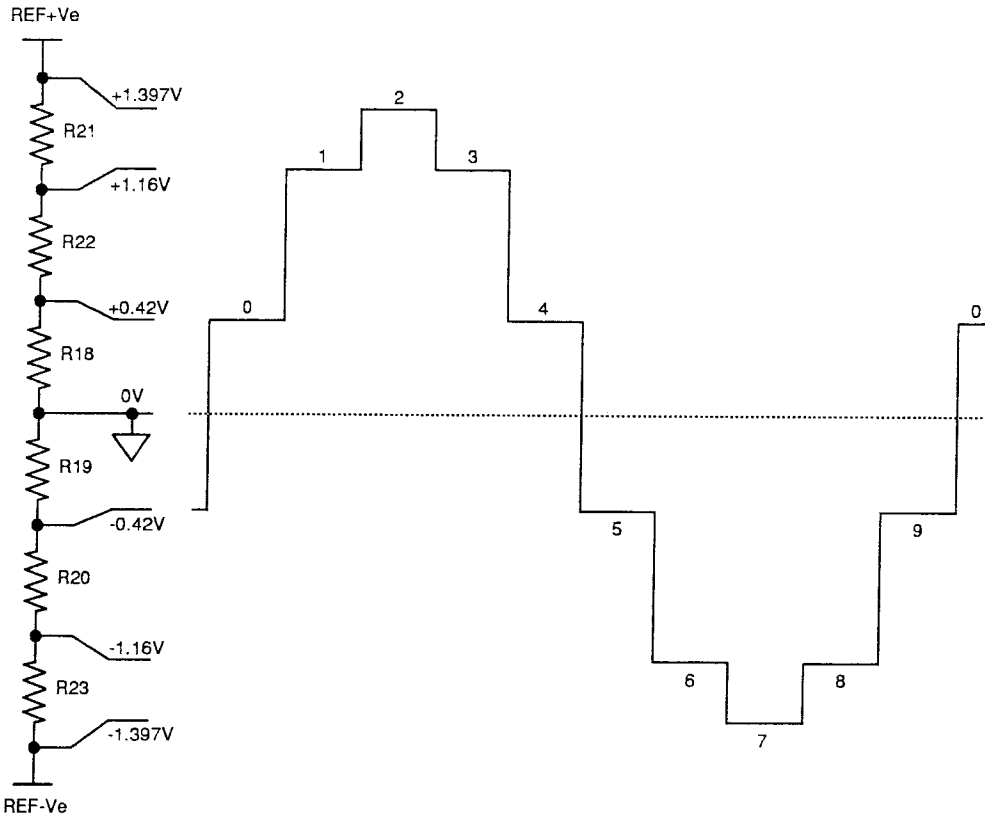


FIG. 6.28 QUASI-SINEWAVE GENERATION



## 6.7 POWER SUPPLIES

The circuits described in this section perform the following functions:

- Line power switching, fusing, filtering, voltage selection and transformation.
- Main digital supply generation and distribution (Out-guard).
- Display high voltage supply generation.
- In-guard stabilized supply generation for Common-2 and Common-4 circuitry.

A simplified power-distribution block diagram appears at *Fig. 6.29*.

The power input module is mounted on the rear panel. The mains (line) transformer is located in the rear section of the instrument, close to the In-guard and Out-guard Power Supply assemblies.

(For details of location and attachment, refer to *Section 3*; and *Section 11*, page 11.0-1).

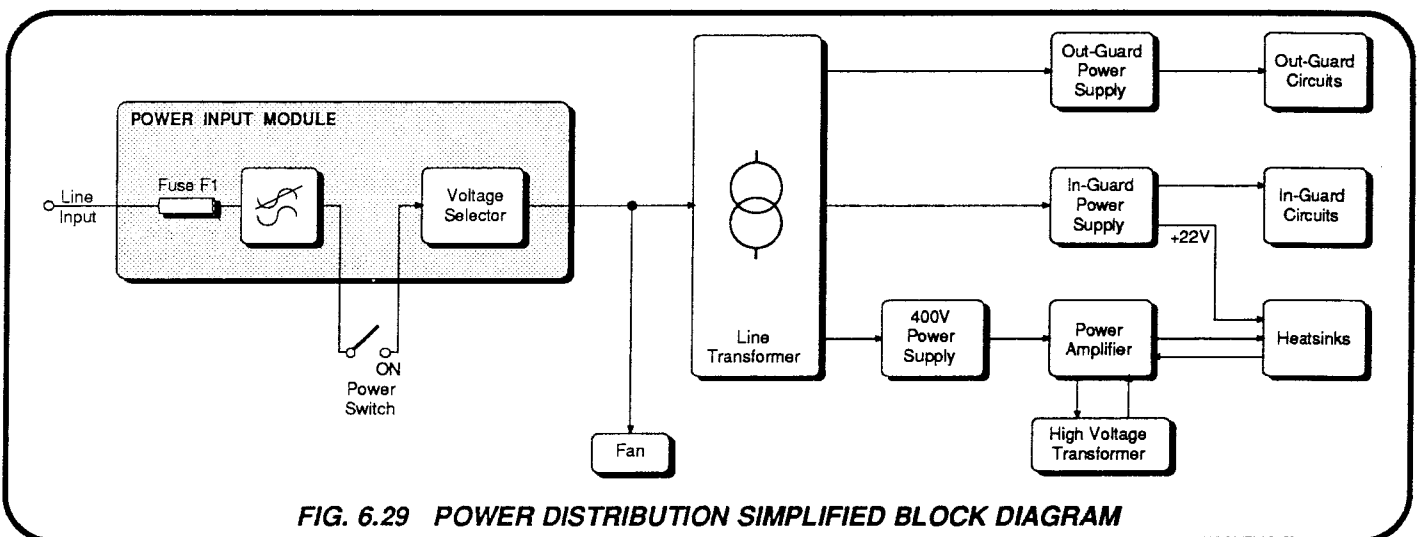
### 6.7.1 LINE POWER DISTRIBUTION (*Fig.6.29*) (Circuit Diagram 430830 Page 11.17-2)

The single phase line supply enters via a 3-pole input cable at the rear of the instrument. The cable connector plugs into a power input module which contains a fuse, filter and line voltage selector pcb. (For details of fuse values and operating voltage selection refer to the *User's handbook*, *Section 2*).

Both 'line' and 'neutral' rails are filtered by a low-pass LC network before being fed through the instrument to the two-pole 'Power' switch on the front panel.

The switched supply is fed back into the power input module, to the voltage selector pcb, which configures the line transformer primary circuit as determined by the user. Power for the air circulation fan is provided directly from the power input module.

All line transformer secondaries are electrostatically decoupled from the primaries by a ground screen between the windings. The secondaries which supply the Common-2 and Common-4 in-guard circuits are decoupled by an additional screen which is connected to the instrument guard.



**FIG. 6.29 POWER DISTRIBUTION SIMPLIFIED BLOCK DIAGRAM**

## 6.7.2 OUT-GUARD POWER SUPPLIES

(Circuit Diagram 430561 Page 11.10-1)

### 6.7.2.1 Digital Main Supply

This circuit provides:

- **+8V unregulated** supply for the Front and Digital assemblies.
- **+5V regulated** supply for out-guard digital circuits.

### 6.7.2.2 +8V Unregulated Supply

This is taken directly from full-wave rectifier D1, D2 via fuse F1 (rated at 4A).

### 6.7.2.3 +5V Regulated Supply

The output voltage is controlled by series regulator Q5, Q6. Load current is sensed by R1 in the base-emitter circuit of Q1, which increases the conduction of Q5 and Q6 parallel combination for increases of load current. The 2.45V zener D4 provides the reference voltage for comparator M1 at M1-3. The output voltage is sensed between the +5V and DIG COMMON rails on the Mother assembly, and divided down to reference potential at M1-2. R8 and R9 ensure that regulation persists even if the sense links are disconnected.

M1 output drives Q2 whose collector voltage controls Q5 and Q6 conduction. If the +5V rail voltage falls due to loading, Q2 collector voltage rises, increasing Q5 and Q6 conduction to restore the rail voltage. Zener D5 prevents the positive excursion of the +5V rail in the event of regulation breakdown. Zener D3 restricts positive excursions of Q2 base voltage, and hence the drive to Q5 and Q6, to provide current limiting. C9 and C10 give a controlled fast response to reduce the effects of transients on the +5V rail.

PTC thermistor R7 protects the power supply from high ground-leakage currents, notably in the external circuits of the IEEE 488 bus system. R7 presents a minimum of 80Ω between the digital common line and ground; this resistance increasing with increasing ground-leakage current.

A supplementary +5V supply is fed out to the Front assembly from J4-21. This is available to power the LEDs in the front panel keys, but is not used in this instrument, as a regulator on the Front assembly produces the required +5V supply from the unregulated +8V supply (*para 6.7.2.2*).

### 6.7.2.4 180V Display Supply

180 Volts are required to operate the digital plasma displays on the Front assembly. Because the display anode drivers are powered from the Digital Main Supply +5V rail, the 180V positive pole is referred to this rail in the power supply. The negative pole is therefore at a potential of -175V. Refer to *Section 6.3* for further details.

Series regulation is provided by D6, R16 and Q3; and shunt regulation by D7 and Q4.

### 6.7.2.5 Common Mode Null

This circuit provides a line-hum cancelling (bucking) output to the instrument guard network. For adjustments refer to *Section 4.9*.

## 6.7.3 IN-GUARD POWER SUPPLIES

(Circuit Diagram 430554 Pages 11.11-1/2)

### 6.7.3.1 In-Guard Common-2 Supplies

The general 15V supply for the analog circuitry is provided by three integrated-circuit regulators (*page 11.11-1*) as follows:

- **+15V from M2.**  
Because of the high current taken from this supply, the regulator power dissipation is shared. The rectifier output is first regulated to +18.5V by Q1, Q3 and D9; and then to +15V by M2.
- **-15V from M1.**  
This is a mirror image of the positive supply.
- **-10V from M6,**  
derived from the -15V supply.

The supply is protected by 3.15A fuses F3 and F4 at the bridge rectifier output. Chokes L4 and L5 attenuate HF transients on the AC input.

The 8V supply for the Sine-Source assembly is provided by two integrated-circuit regulators M8 and M9 (*page 11.11-2*). The supply is protected by 1A fuses F5 and F6 at the bridge rectifier output. Chokes L7 and L9 attenuate HF transients on the AC input.

### 6.7.3.2 ±22V PS/I Heatsink Supply

This provides +22V and -22V unregulated power outputs to the PS/I Heatsink assembly. Both supplies are protected at 4A by fuses F1 and F2, the AC input being HF-filtered by chokes L2 and L3. The 22V common return is maintained close to the common-2 return potential by resistor R1.

### 6.7.3.3 Reference Divider Common-4 Supplies

(Circuit Diagram 430554 Pages 11.11-2)

This circuit provides +36V, +15V and -15V regulated outputs to the Reference Divider in-guard circuits. The +36V supply is also used to power the +20V Master DC Reference.

Two secondary windings of the line transformer are used, and inter-supply transients are reduced by the special coupling arrangements of common-mode choke L10. The rectified output from bridge W4 is series-regulated by M3 to produce the +36V supply. R2/R3 sense the output voltage.

D11 and M4 reduce the +36V to generate the +15V regulated supply.

The -15V supply is provided by bridge W3 and regulator M7.



#### 6.7.3.4 38V Common-2 Supply (Circuit Diagrams 430653 Page 11.12-1 and 430604 Page 11.16-5)

The 38V regulated supply is used for two purposes:

- to power the 10V Amplifier in the Power Amplifier assembly;
- to provide a lower positive source voltage to reduce dissipation on the Power Amplifier assembly, when negative voltages are being output on the 100V DC Range (refer to *sub-section 7.8.3.4*).

It is plugged into the Mother assembly in the rear compartment next to the Heatsinks.

The mains (line) transformer 40VRMS secondary centre tap is referred to Common-2 on the Mother assembly. It provides a variable AC output by R25 on the Mother assembly to balance line-induced voltages on the guard screens. The 40V is rectified, filtered and smoothed on the Mother assembly before being passed to the regulator at approx. 50VDC.

On the 38V Power Supply assembly the output voltage is controlled by series regulators Q2 and Q1. As the regulator is symmetrical, only the positive side is described.

The output voltage is divided by R26 and R25 to provide a sense signal for comparator M1, which is powered by a local shunt regulator D8/R16/C8. The 2.45V reference for the comparator is derived by D6/R23 from the comparator supply.

M1 output drives Q8 whose collector voltage controls Q6 and hence Q2 conduction. If the +38V rail voltage falls due to loading, Q8 collector voltage rises, increasing Q5 and Q6 conduction to restore the rail voltage.

Load current is sensed by R24 in the base-emitter circuit of Q5, which is normally cut off unless the load current exceeds 170mA. At this point Q5 conducts and pulls down the base of Q6, setting a hard current limit.

Zener diode D2 turns Q5 hard on in the event of an output short circuit, providing a rapid reponse to catastrophic failure in the power amplifier circuitry. As the output voltage falls below +22V, D2 arrests the fall on Q5 base, switching Q5 hard on and turning Q6 and Q2 off. This leaves D2, R8 and R9 controlling the output current, which falls to less than 500 $\mu$ A.

When the load is removed, the conduction of Q5 via R26/R25 is insufficient to hold Q6 cut off, especially as Q8 is also cut off by the comparator. So Q2 is allowed to conduct, the output voltage rises until first D2, and then Q5, cut off and the output voltage is restored to comparator control.

The 38V output is taken through wired-in fuses F1 and F2. These merely protect the PCB tracking in the event of an output short-circuit. The output voltages are protected from reverse polarity by D1 and D2 on the Mother assembly.

#### 6.7.3.5 38V Supply Failure (Circuit Diagram 430618 Page 11.9-4)

The 38V output voltage is monitored in the Power Amplifier assembly. The monitor is described in *Section 7, para 7.8.6.3*.

#### 6.7.3.6 400V Common-2 Supply

This is described in *Section 7, paras 7.8.5 and 7.8.6.4*.



# SECTION 7

## DC VOLTAGE OUTPUTS - AMPLITUDE CONTROL SYSTEM

---

### 7.1 INTRODUCTION

#### 7.1.1 GENERAL PROCESS

When DC Voltage Function is selected, a relay (RL2) on the Reference Divider assembly feeds the output of the summing amplifier into the DC assembly as DC Ref (Hi and Lo), the value of which represents the demanded output voltage and polarity.

The DC Voltage circuitry selects the required range, from switching data transmitted into guard via the Serial Data Link. The appropriate range circuit generates the demanded voltage at the output terminals. Output switching and protection are provided.

---

#### 7.1.2 DC VOLTAGE SYSTEM BLOCK DIAGRAM

The DC Voltage Amplitude Control System is briefly described in *Section 5*, and illustrated in the Block diagram of *Fig. 5.3*.

DC Voltage Ranges up to 100V are described in *Section 5.6*, and the DC 1000V Range in *Section 5.8.1*; at block diagram level.

---

#### 7.1.3 CIRCUIT OPERATION

The circuits described in this section perform the following functions:

- Buffer the DC Ref voltage (-20V to +20V) and provide output voltages to the instrument terminals, on the 10V DC Range.

- Amplify the DC Ref voltage providing output voltages:

-200V to +200V on 100V Range  
-1100V to +1100V on 1000V Range

- Attenuate the DC Ref voltage and provide output voltages between -2V and +2V on the 1V DC Range.

- Further attenuate the 1V Range voltages and provide output voltages:

-200mV to +200mV on 100mV Range  
-20mV to +20mV on 10mV Range  
-2mV to +2mV on 1mV Range  
-200µV to +200µV on 100µV Range.

- On the 10V Range, sense the output voltage (at the load in Remote Sense), making continuous, direct comparisons in a closed negative-feedback loop with the DC Ref voltage input from the Precision Divider. The comparison generates an 'error' voltage which corrects the output voltage.

- On the 1V Range, sense the output voltage at 1V Range levels, comparing the sensed voltage with the attenuated DC Ref input, and correcting the output as on the 10V Range.

- On the sub-volt ranges; sense the 1V Buffer output at 1V Range levels, correcting its output as on the 1V Range.

- On the 100V Range, sense the output voltage at 100V levels, and reduce the sensed voltage to 10V levels. Compare the attenuated voltage with the DC Ref input from the Reference Divider and correct the output voltage as on the 10V Range.

- On the 1000V Range, provide a VCA drive from the Error Amplifier, to a DC Modulator for the high voltage amplification circuits. Attenuate the sensed output voltage, comparing the attenuated voltage with the DC Ref input at 10V Range levels, and correcting the output as on the 10V Range.

- Provide switching of DC Voltage Output, Range, Guard and Sense, under the control of signals from the Analog Control Interface.

- Sense excess currents in the output circuit, providing a  $\overline{\text{LIM ST}}$  status signal to the CPU via the Analog Control Interface.

- Sense High Voltage State (at approx. >130V) on the PHI (I+) output line, providing a  $\overline{\text{HV ST}}$  signal to the CPU via the Analog Control Interface.

Many of the circuits described in this section are located on the DC PCB assembly. The major exceptions are as follows:

10V Range Buffer stage	- Power Amplifier assembly,
100V Amplifier	- Power Amplifier assembly and Heatsink assemblies,
1000V Range output circuits	- LF and HF transformer assemblies and the High Voltage assembly,
Function Switching	- Current/Ohms assembly,
Output Filtering	- Terminal Board assembly.

---

## 7.2 LOW VOLTAGE LOOPS (Fig. 7.1)

Although the 10V range is regarded as the basic DC range of the instrument, this is because the full 20V Reference is used, and suffers no overall voltage attenuation nor amplification in its output loop. However, it does require power amplification at dissipations which preclude its positioning within the thermal shield, so its output buffer is located on the Power Amplifier assembly. This factor complicates the routing of its signals.

The 1V range loop is more direct; its buffer is located on the DC assembly, and there are fewer circuit elements to describe in its path. For reasons of simplicity, therefore, the 1V range is chosen for this description of the basic DC output loop.

The descriptions in Section 7.2.1 and Section 7.3 concentrate on the signal path of the 1V Range loop; from the polarity switch in the Precision Divider, out to the 'Power' terminals, and back to the 'Sense' input of the Error Amplifier.

For descriptions of the alterations to the 1V loop to accommodate the other DC voltage ranges, refer to the following sub-sections:

100mV Range	7.4
100 $\mu$ V to 10mV Ranges	7.5
10V Range	7.6
100V Range	7.8
1kV Range	7.9

On the circuit diagrams in Section 11, all relay contacts are shown with their relays in the unactivated condition.

### 7.2.1 1V RANGE SUMMARY

The low voltage loop and routing are illustrated in the simplified diagram of Fig. 7.1. Switching contacts are shown in positions set for the 1V Range.

DC Ref is variable between -20V and +20V referred to common-1, and the 1V attenuator provides voltages between -2V and +2V. The Error Amplifier and 1V Buffer are connected to form a voltage-follower when I+ is connected to Hi (in either local or remote sense).

The output from the 1V Buffer is connected directly to the I+ terminal via power switching, the sense feedback returning from the Hi terminal, via sense switching, to the Error Amplifier inverting input. The sensed output voltage is adjusted by the feedback until it equals the attenuated DC Ref Value, i.e. for zero differential input to the Error Amplifier.

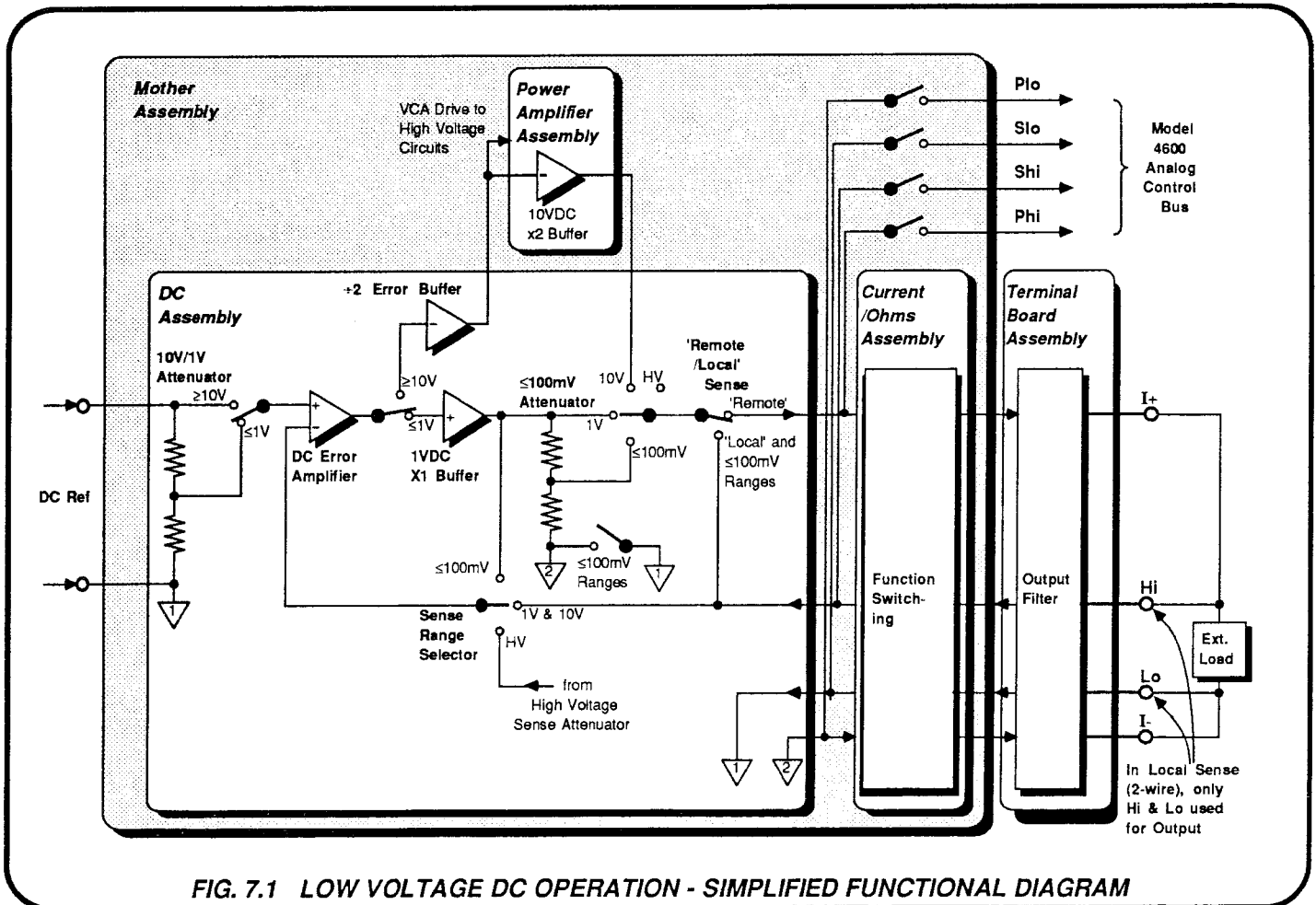


FIG. 7.1 LOW VOLTAGE DC OPERATION - SIMPLIFIED FUNCTIONAL DIAGRAM

## 7.3 DC 1V LOOP

### 7.3.1 REFERENCE DIVIDER ASSEMBLY

(Circuit diagram 430652 Page 11.4-3)

For positive outputs, the positive DC Reference PHI(REF), PLO(REF), SHI(REF) and SLO(REF) pass via energized relay RL2, to be output as a 4-wire sensed connection into the DC assembly. The four lines are routed out at J4 pins 9, 10, 11 and 12 into the Mother assembly. For negative outputs, energized relay RL1 configures the lines to give a negative DC reference.

### 7.3.2 DC ASSEMBLY

(Circuit diagram 430536 Page 11.5-1)

The DC Reference enters at J5 pins 1, 2, 3 and 4. On DC Voltage ranges, RL18 connects the power and sense lines to the two star-points TP2 and TP3. TP3 is the signal Common-1 point, to which all instrument DC voltage sense inputs are referred.

For the 1V and lower ranges, RL16-5/4 connects the output of the 1V attenuator to the non-inverting input of the Error Amplifier. (On the 10V and higher ranges, RL16-8/9 connects the full DC Reference to the Error Amplifier.)

### 7.3.3 ERROR AMPLIFIER

The DC Ref Voltage from the Reference Divider is applied to two amplifiers: M21 is a high-gain chopper-stabilized integrator of approximately 10Hz bandwidth, Q5 provides additional bandwidth for rejection of HF common-mode noise. M20 provides additional gain and output drive, through a transient-suppressing diode clamp circuit.

The whole amplifier is bootstrapped by M22, D48, D49, Q6, Q7 and Q10. Q8/Q9 provide 1.4mA constant-current drives for D48/D49 over the range of BS-Common variation (-20V to +20V on the 10V and higher ranges). Power for the bootstrapped amplifier is obtained originally from the  $\pm 38V$  supply; used also to power the 10V Buffer in the PA assembly, referred to Common-2.

Extensive screening and filtering is used to eliminate the effects of the chopping spikes at inputs and output of M21.

### 7.3.4 1V BUFFER

On the 1V and lower ranges the error amplifier output is applied to the 1V Buffer, via the closed contacts 10/11 of energized relay RL16. A current amplifier M23 is chosen, as the buffer has to drive the external load directly via the output switching, output lines and external leads.

It also drives the 100mV Attenuator on the 100 $\mu$ V - 100mV ranges.

M23 is powered by a separate individually-filtered 8V supply (refer to pages 11.5-4 and 11.11-2). Its input and output are protected by back-to-back zener diodes.

The output from the 1V buffer is connected, via contacts 12/7 of energized relay RL3, to the '1V+10V+100V' PHI(DCV) star point.

## 7.3.5 RANGE SWITCHING

On the 1V and 10V ranges the 1V+10V+100V star point is decoupled to Common-2A by C28 via contacts 2/3 of energized relay RL4.

Relay RL5 is energized on the 1V and 10V ranges; and after passing through the back-to-back contacts RL5-8/9, which cancel their own thermal EMFs, the DC1V+10V+100V signal is renamed PHI(DCV).

## 7.3.6 OUTPUT SWITCHING

(Circuit Diagram 430536 Page 11.5-2)

The PHI(DCV) output and other connections from the Range relays (Page 11.5-1) are passed to the instrument output terminals via several relay contacts which provide switching for Remote or Local Sense, Remote or Local Guard, and Output On/Off.

The output does not travel directly to the terminals from the DC assembly, as further switching is required. If Option 30 is fitted, function changes switch the terminal lines on the Current/Ohms assembly. When Option 30 is not fitted, a Current/Ohms Link PCB (Part No. 410288) is fitted in place of the Current/Ohms assembly. This PCB provides direct connections for the signals, on their route to the instrument terminals (para 7.3.8.1.)

### 7.3.6.1 DCV/ACV Switching

For DC voltage ranges, relays RL10 and RL11 are energized. The PHI(DCV) line from the range relays passes via RL10 contacts, TP8, 1A fuse F6, and RL15 contacts (if output is set ON); to the PHI(V) line at J5-19. For DC voltage outputs, the four ACV lines at J5-25/26/29/30 are disconnected by relays in the AC assembly.

In Remote Sense, the power return line PLO(DCV) is linked via RL11 contacts, 1A fuses F4 and F3, relay RL14 and RL15 contacts to J5-23 as PLO(V). PLO(DCV) is held close to Common-2A by R56/C30 (page 11.5-1), being protected against excessive departure from Common-2A potential by the back-to-back 3V zeners D13 and D25. The voltage developed across R56 by the output current is monitored by comparator M13 (page 11.5-2).

### 7.3.6.2 Output On/Off.

Because the DCV and ACV lines are separately switched, a single independent 4-pole relay RL15 can be used to set output on and off. Thus the lines at J5-19/20/23/24 carry either DCV or ACV signals to and from the output terminals. Where ACV and DCV join, the power lines change their names to PHI(V) and PLO(V).

### 7.3.6.3 Remote Sense Switching.

When Remote Sense is not selected, two-wire outputs to external loads can only be connected from the Hi and Lo terminals (a relay on the Mother assembly disconnects the I+ terminal). Relay contacts RL14-9/8 connect PHI(DCV) to SHI(DCV), and RL14-3/2 connect PLO(DCV) to SLO(DCV). Relay contact RL14-5/4 is open, severing the connection to the I- terminal.

In Remote Sense relay RL14 is energized, removing the connections between the power and sense lines, and RL14-5/4 reinstates the link from PLO(DCV) to the I- terminal. This gives full 4-wire sensing at the external load.

### 7.3.6.4 Remote Guard Switching

The front panel 'Guard' terminals are permanently connected to the internal guard shields via J5-15/16 and J5-11/12. With 'Remote Guard' selected, the direct connection between Guard and Lo is severed by the open contact of energized relay RL17. R121 damps any high frequency resonance in the combined internal and external guard circuits; C62 reducing HF noise on the millivolt ranges. With Remote Guard off, RL17 connects the guards to PLO(V) via PTC thermistor R97, which also assists in reducing millivolt noise.

## 7.3.7 OUTPUT PROTECTION

Two circuits are described in the following paragraphs:

- The DC Overcurrent Detector, which senses the current flowing in the PLO(DCV) return line, sending a signal to the status-reporting logic if the DC current exceeds approx. 28.5mA. On the 100V and 1kV DC ranges the 'LIM DET' signal is sent, but on the 10V DC and lower ranges the 'LIM ST' signal is made active.
- The Overvoltage Detector provides an indication to the CPU that the output voltage is in 'High Voltage State', ie. the 'HV ST' signal is activated if the output DC or peak AC voltage is greater than 110V. If the instrument has not been programmed into High Voltage State, then an anomaly exists, and remedial action is taken by the CPU.

The results of activating the overcurrent detector are described later in *sub-section 7.12.7*.

### 7.3.7.1 DC Overcurrent Detection

On DC voltage ranges of 1V and higher, the current taken by the instrument load develops a voltage across resistor R56 (*page 11.5-1*), which is applied to the resistor chain R31/R30/R36 (*page 11.5-2*). On 100mV and lower ranges R56 is shorted out by relays RL2-5/4 (*page 11.5-1*), RL11-2/5 & 11/8 and RL14-2/3 (*page 11.5-2*).

M13 is an open-collector comparator wired to detect excessive voltages across R30/R36 (R31 is the common bias resistor). Diodes D17 and D18 set the reference potential at M13-3 (for positive outputs) to approx. +285mV; and at M13-6 (negative outputs) to approx. -285mV. Under normal operation, when the output current is less than 25mA, both halves of M13 are held in open-collector. When the output current through R56 exceeds approximately 28.5mA, the voltage across it exceeds 285mV and one of the halves of M13 switches its output to the negative rail (analog logic-Ø). Diode D52 conducts, pulling M10-6 and M10-9 to logic-Ø:

#### LIM DET Activation:

On the 10V and lower DC ranges, M10-5 is permanently held at logic-1 disabling M10-6, so the overcurrent signal has no effect

on M10-4, which is held at logic-1 and D3 remains in reverse bias. The LIM DET signal is not activated.

On the 100VDC or 1kVDC range, M10-6 is enabled by M10-5 at logic-Ø, so the overcurrent signal sets M10-4 to logic-Ø and LIM DET is activated at logic-1.

#### LIM ST Activation:

In this case the effect of the 100VDC and 1kVDC signals is reversed, and M10-9 is sensitized to the DC overcurrent signal only on the 10V and 1V ranges, when M10-8 is at logic-Ø. For excessive DC output currents, M10-10 sets D9 cathode to logic-Ø pulling the LIM ST line to its logic-Ø active state.

The AC 1kV Overcurrent Detector receives no input on DC ranges, as no current passes through the sensing resistors R107 and R108.

### 7.3.7.2 High Voltage Status Detector ('Overvoltage')

In order to provide information to the CPU, so that it can decide whether the High/Low voltage state is as demanded, the voltage level on the PHI(V) line (TP8) is monitored and compared against a reference. The detector senses DC levels for DC voltage outputs, or peak levels for AC voltage outputs.

M17 is a dual comparator whose hysteresis is set to ±1.22V. For as long as the voltage on the PHI(V) line remains within approx. ±125V, the division ratio of M16 keeps the input to M17-5/9 within the ±1.22V hysteresis, and M17-12/7 remains at logic-1 (0V).

The PHI(V) voltage at TP8 is applied via R83 and R62 to M16-2, which is referred to Common-2B, M16-3 being connected directly to this common. Resistors R61 and R68 apply feedback to M16, setting its gain to -0.0098. C29, C31 and R63 ensure that any transient switching spikes do not activate the comparator. The output from M16-6 is compared with ±1.22V in comparator M17.

The open-collector comparator M17 is wired to detect excessive voltages at M16 output (R69 is the common bias resistor). Diodes D26 and D27 set the reference potential at M17-10 (for positive outputs) to +1.22V, and at M17-4 (negative outputs) to -1.22V. Under normal operation in low voltage state, the output voltage lies between -110V and +110V, and M16 output is between -1.07V and +1.07V. Both halves of M17 are thus held in open-collector,

If the DC PHI(V) voltage exceeds 125V (or for an AC peak corresponding to a sinewave RMS exceeding 90V), either M17-7 or M17-12 pulls towards logic-Ø. Current source Q2 permits only 3mA to flow in M17 output circuit, so the voltage input to D6 cathode and M12-11 (B trigger) suffers a negative-going trigger edge.

#### a. Effect of Overvoltage on DC Voltage Ranges

For DC outputs the 'Q' output of M12 is permanently held at logic-1 by DC FNCT at M12-13 set to logic-Ø, so the effect of the negative-going transition at M12-11 is suppressed. However, diode D6 conducts, pulling the HV ST line at J5-105 to logic-Ø (-15V). This is passed to the CPU, via the status register in the reference divider and the serial data interface.

The CPU is now aware that the DC output voltage exceeds 110V. The CPU has to make a decision, as to whether the programmed output voltage and the detected state are compatible. If High Voltage state has not been commanded, a fault is assumed and FAIL 2 message is presented on the MODE display.

#### b. Effect of Overvoltage on AC Voltage Ranges

For AC outputs the  $\overline{DC\ FNCT}$  signal is inactive at logic-1, so M12-13 at logic-1 removes the reset. Monostable M12 is set to produce a logic-1 at its Q output (M12-9) unless its B input at M12-11 is edge-triggered negatively. In 'Low Voltage State' conditions no trigger is given, so M12-9 remains at logic-1, D7 and D6 are reverse-biased and the HV ST line remains at the logic-1 level of 0V.

When the comparator output switches to logic-0, D6 conducts instantaneously to obtain the earliest possible reaction to the overvoltage. But as this is a peak value, the  $\overline{HV\ ST}$  signal would revert to logic-1 without monostable M12. M12 produces a logic-0 (-15V) pulse of 140ms duration, which forward-biases D7, and the HV ST line transmits a logic-0 pulse of 140ms duration. Successive positive or negative peaks of overvoltage retrigger the monostable, maintaining its Q output (and thus the  $\overline{HV\ ST}$  signal) at logic-0.

### 7.3.8 ROUTING to the TERMINALS

The power and sense lines from J5-20/24 connect to the model 4600 analog bus via relays RL2 and RL3. When the 10A range is selected, these relays are closed and the front panel terminals isolated using relays on the Current/Ohms Assembly. Four wire sense is used, and the 4708 drives the analog bus with a -10V to +10V signal that the 4600 will convert to a -10A to +10A signal. The 4708 guard is transferred to the analog bus by the changeover relay RL4. The analog bus also contains a grounded signal ANABUSON which is used by the 4600 to detect that the 4708 is connected to the analog bus.

#### 7.3.8.1 Current/Ohms Assembly (Circuit Diagram 430614 page 11.8-1)

With any Voltage Range selected, relays RL8 and 9 are un-energized as shown. Also, relays RL24 and RL25 (Ohms function switching - refer to page 11.8-3) are un-energized. Voltage Output relay RL23 is energized; connecting PHI(V) to J8-8/9 as 'PHI', and PLO(V) to J8-16/17 as 'PLO'.

PHI and PLO pass into the Mother assembly via at J8-25 and J8-29 respectively.

If the Current option is not fitted, a Link PCB (Part No. 410288) is fitted in its place. This shorts:

J8-25 [PHI(V)] to J8-8/9 [PHI],  
J8-29 [PLO(V)] to J8-16/17[PLO].

These connections do not involve any switching.

#### 7.3.8.2 Mother Assembly (Circuit Diagram 430604 page 11.16-1)

PHI and PLO enter at J8-8/9 and J8-16/17 respectively.

PLO passes through the common mode choke L1 via J23-3 and then J26-4 as 'I-' to the Terminal Board assembly.

PHI is switched by relay RL1. If Remote Sense is not selected, RL1 is un-energized as shown; disconnecting PHI from the I+ terminal circuit, and shorting it to the sense SHI input line. When in Remote Sense, RL1 is energized and PHI passes through the common mode choke L1 via J23-1 and J26-1, and as 'I+' to the Terminal Board assembly.

#### 7.3.8.3 Terminal Board Assembly (Circuit Diagram 430640 page 11.17-3)

I+ and I- are filtered and passed to the front panel terminals. Ferrite bead FB1 and C2 protect the internal circuitry from the effects of HF pickup in the external circuit.

#### 7.3.8.4 Option 42 - Rear Terminal Output (Circuit Diagram 430557 page 11.17-1 Layout Drawing 480603 page 11.19-2)

Option 42 is incorporated at manufacture. With rear output terminals, the Terminal Board assembly is not fitted. The connections to the rear are taken from J26 on the Mother assembly. A capacitor C1 connects Guard to Earth (Ground), and ferrite beads are fitted on the Hi, I+ and Guard leads at the terminals. The terminal filter relay is not fitted.

### 7.3.9 1V LOOP - OUTPUT SENSING

For users with Option 42 - Rear Output, the circuitry at the terminals is changed. Refer to Sect. 7.3.8.4.

#### 7.3.9.1 Terminal Board Assembly (Circuit Diagram 430640 page 11.17-3)

If Remote Sense is selected, the front panel sense terminals Hi and Lo are connected externally to I+ and I- respectively at the load.

The sensed voltage is filtered by FB2 and C3 to reject external HF pickup. Except on the 1000V Range, a signal ('R-', 'R+') originates as 'TERM FILTER' in the Reference Divider to energize relay RL1, which introduces capacitor C1 to augment this HF rejection.

The filtered sense voltage is fed into the Mother assembly between J26-2 (Hi) and J26-5 (Lo). (No external sensing is provided for the millivolt ranges. See paras 7.3.6.3, 7.3.8.2, 7.3.9.2 and Fig. 7.1 for the simplified local sensing arrangement.)

### 7.3.9.2 Mother Assembly (Circuit Diagram 430604 page 11.16-1)

Lo passes through the common mode choke and directly to the Current assembly at J8-18 as SLO.

Hi also passes through the choke and enters the Current assembly as SHI at J8-10. However, if Remote Sense is not selected, it is shorted to PHI by relay RL1 for two-wire connection. RL1 is energized from the REM SENSE +ve and -ve lines from the DC assembly.

### 7.3.9.3 Current/Ohms Assembly (Circuit Diagram 430614 page 11.8-1)

With any Voltage Range selected, relays RL8 and 9 are unenergized as shown. Ohms function relays RL24 and RL25 are also unenergized (refer to page 11.8-3). RL23 is energized; connecting SHI into the Mother assembly as 'SHI(V)' via J8-26, and connecting SLO via J8-30 as 'SLO(V)'.

If the Current option is not fitted, the Link PCB shorts:

J8-10 [SHI] to J8-26 [SHI(V)],  
J8-18 [SLO] to J8-30 [SLO(V)].

The connections involve no switching.

### 7.3.9.4 DC Assembly (Circuit diagram 430536 Page 11.5-2)

In normal 4-wire operation (Remote Sense selected) with OUTPUT 'ON' on the 1V and 10V Ranges, relays RL10, 11, 14 and 15 are energized.

SHI(V) enters from the Mother assembly at J5-20 and is passed directly through RL15 and RL10 contacts, 1A fuse F2, and to the range relays as SHI(DCV).

SLO(V) travels via RL15 and RL11 contacts to the range relays as SLO(DCV).

With Remote Sense not selected, relay RL14 is unenergized.  
RL14-9/8 short SHI(V) to the power Hi output PHI(V).  
RL14-2/3 short SLO(V) to the power Lo output PLO(V).

Refer to Page 11.5-1.

SLO(DCV) is referred to Reference Common-1. SHI(DCV) passes to the contacts 8/9/10/11 of energized 1V+10V range relay RL4, and via R77 to the inverting input of the Error Amplifier.

**N.B.** Although the relays are referred to above as 'energized' and 'un-energized', this is not strictly true as polarized relays are used to dispense with the power needed to hold the relays in.

This distinction is not significant to the present text, but is discussed later in *sect 7.11* where the relay logic is detailed.

---

## 7.4 100mV RANGE

The 1V Attenuator and 1V Buffer are connected into the circuit as for the 1V range. Relays RL1 and RL2 are energized. The output from the 1V buffer is connected to the star point at TP5 by RL1-7/12, and RL2-5/4 connects the Common-2 star point, at the base of the 100mV Attenuator, to Reference Common-1. Thus the 100mV Attenuator is connected across the 1V Buffer output.

The TP5 starpoint is connected directly to the Error Amplifier inverting input via RL2-9/8 and R77, completing the sense feedback. The Error Amplifier adjusts the voltage at TP5 until the error is reduced to zero; the TP5 voltage thus converges to that of the attenuated DC Ref at RL16-4.

The output of the 100mV Attenuator, at the TP6 star point, is therefore one hundredth of the DC Ref voltage, and can be varied between -200mV and +200mV. Note that the full DC Reference voltage resolution is available, so that the 100mV range resolution remains at 7½ digits. This is reflected in the resolution of the OUTPUT display on the instrument front panel.

The 100mV Attenuator output passes through RL2-2/3/10/11 to join the PHI(DCV) line. On ranges below 1V the Remote Sense relay

RL14 (*page 11.5-2*) cannot be energized; so with DC Voltage and Output ON selected, the 100mV range output is routed via RL14-9/8 and the SHI(V) line on towards the Hi terminal on the front panel for 2-wire connection.

The other connection to the load returns via the Lo terminal, arriving at the DC assembly as SLO(V), referred to Common-1 (*page 11.5-1*). Contacts 2 and 3 of unenergized Remote Sense relay RL14 connect the SLO(V) line to the PLO(DCV) line, and through the overcurrent sense resistor R56 to Common-2A. However, no overcurrent sensing is available on ranges below 1V, as R56 is shorted by the RL2-5/4 connection between Common-1 and Common-2A at the base of the 100mV Attenuator, and the contacts of the energized RL11 and un-energized RL14 (*page 11.5-2*).

**N.B.** Although the relays are referred to above as 'energized' and 'un-energized', this is not strictly true as polarized relays are used to dispense with the power needed to hold the relays in.

This distinction is not significant to the present text, but is discussed later in *sect 7.11* where the relay logic is detailed.



---

## 7.5 100 $\mu$ V - 10mV RANGES

These ranges use the same relay settings as 100mV Range, so the output voltages remain at 1/100 of the DC Ref voltages. The differences lie in the spans of DC Ref voltages used.

To achieve the correct DC Ref span, the appropriate scaling is computed digitally and the 4-byte binary words set in the 13-bit and 12-bit comparator latches of the Analog Interface. The DC Ref spans are scaled as follows:

10mV Range	-	-2V to +2V
1mV Range	-	-200mV to +200mV
100 $\mu$ V Range	-	-20mV to +20mV

Because of this scaling, the resolution available on these ranges is reduced in proportion to the scaling ratio. The displayed output resolution is automatically adjusted according to range selection:

10V, 1V and 100mV Ranges	-	7 $\frac{1}{2}$ digits
10mV Range	-	6 $\frac{1}{2}$ digits
1mV Range	-	5 $\frac{1}{2}$ digits
100 $\mu$ V Range	-	4 $\frac{1}{2}$ digits

---

## 7.6 DC 10V LOOP

### 7.6.1 DC REF. and ERROR AMPLIFIER (Circuit diagram 430536 Page 11.5-1)

The DC Ref signal is derived as for the 1V range, entering the DC assembly at the same pins: J5 pins 1, 2, 3 and 4. Relay RL18 again connects the power and sense lines to the two star-points TP2 and TP3, TP3 being the signal Common-1 point.

On this range, RL16-8/9 connects full DC Ref to the non-inverting input of the Error Amplifier, which operates as for the 1V range, except that the span of voltages is now the full -20V to +20V.

### 7.6.2 DC $\pm$ 2 ERROR BUFFER M14 (Circuit diagram 430536 Page 11.5-1)

The Error Amplifier output is blocked from the 1V Buffer by the open contacts 10/11 of RL16. Instead, it is connected by RL6-6/4 as input to M14.

For the 10V and 100V ranges, M14 is connected as an inverting  $\pm$ 2 line buffer by the un-energized relay RL6-6/4 and 11/13. For the 10V range, M14 output passes to the Power Amplifier assembly via J5-73 and the Mother assembly.

---

### 7.6.3 10V BUFFER (Power Ampl. Assembly) (Circuit Diagram No. 430618 pages 11.9-1/2).

The discrete, complementary, 10V Range buffer-amplifier is a dual-purpose circuit, generating power to the output terminals for both DC and AC functions.

As it provides the full output current, it is located on the Power Amplifier assembly so that the heat from its power stage can be developed outside the thermally-shielding Chassis assembly, and dissipated by forced-air cooling from the fan. Its output is fed back to the DC or AC assembly for range and output switching, as the 'DC10V+100V' signal.

The output from the line buffer M14 on the DC assembly (the signal 'DC 10V+100V+1kV ERROR') enters the PA assembly at J9-40, passing to the input of the 10V Power Amplifier via DC/AC selector relay RL4-11/13 and 10V selector RL3-9/13. The signal is attenuated by R171 and R124 in a ratio of 4.17:1. So a positive full range DC Ref signal of +10V from the Reference Divider appears at J9-40 as -5V, and is further attenuated by R171/R124 to approximately -1.2V across R124, which refers it to Common-2B.

The amplifier is best regarded as having separate DC and AC paths.

---

#### 7.6.3.1 DC Path

The DC path is blocked by C56; M17 is the DC input buffer, connected as an integrator with diode clamping. M19 operates as an inverter in open loop, so applies high DC gain to the output from M17 on M19-2, referred to Common-2C by R112.

The output from M19 drives both halves of the symmetrical, inverting, discrete power amplifier through current-limiters Q21 and Q24, and is buffered by emitter-followers Q22 and Q23. Common-emitter devices Q27 and Q29 form a voltage amplifier, driving the complementary output stage Q32 and Q33. Resistors R119 and R120 set the gain of the discrete stages to approximately 4.5.

The forward amplification contains three inversions, negative DC feedback being applied to M17 inverting input by R122, defining an overall gain of 10 in conjunction with input resistor R123.

For DC range selections, the DC error signal is applied at M17-2, is amplified by 10 and output at TP11 via the low DC resistance of L8. The forward voltage gain, from the output of the Error Amplifier to the output of the 10V Buffer, is thus of the order of 1.2. This is more than sufficient to support the specified output current, when corrected to the demanded output voltage by the sense feedback to the Error Amplifier.

In AC operation, the effect of the DC path is to sense and correct the DC offsets throughout the whole AC amplifier, referring the output to Common-2A at M17-3.

### 7.6.3.2 AC Path

The AC path is blocked by the integrator M17, but is applied to the non-inverting input of M19 through the coupling capacitor C56. M19 operates in open loop, applying its output to the discrete power amplifier (see *para 7.6.3.1* above).

The amplifier AC gain is also set to 10 by R122 and R123, the circuit time constants being selected to allow overall instrument output operation over the full frequency range of 10Hz to 1MHz.

### 7.6.3.3 Overload Detection

The 10V FLAG line, connected to D71 cathode, is pulled up to 0V (in-guard logic-1) by 7.2k $\Omega$  (See *page 11.9-5* - R154 in parallel with R38). An Error OL message results from this line being driven to logic-0 by Q34. During DC operation, relay RL8 is un-energized, configuring the collector loads of emitter-followers Q32 and Q33 as low-pass filters. This de-sensitizes the overload detector and the overload limiters Q28 and Q30 from the effects of transient currents.

Overload detector Q31 reaches V<sub>be</sub> threshold when the DC current value in R139 and R141 exceeds approximately 35mA. Similarly, Q34 detects currents in R147 and R149. In either case, Q34 conducts, pulling diode D71 cathode down to -15.7V. This drives the 10V FLAG line to logic-0, so the status message is returned to the CPU via the SSDA serial interface, and the 'Error OL' message is displayed.

This does not preclude further increase in output current, but under these conditions the instrument accuracy specification is not guaranteed.

During AC operation, relay RL8 is energized, the filter is removed, and the Overload Detector is adjusted to operate as a peak current detector. R172/R141 and R173/R147 cause the 10V FLAG to activate for RMS values of output sinewave current in excess of approximately 80mA.

---

### 7.6.4 RANGE SWITCHING (DC Assembly) (Circuit Diagram 430536 *Page 11.5-1*)

The DC 10V+100V signal enters the DC assembly from the Mother assembly at J5-37/38 and R73/L6 filter out any spikes picked up in transit. Relay RL4 is energized, shorting the high voltage resistor R67, so the signal goes directly through the 1Amp fuse F1 to the 1V+10V+100V star-point.

### 7.6.3.4 Overload Limiting

If the DC output current increases to approximately 39mA, the current in either R139 or R149 causes the V<sub>be</sub> threshold of Q28 or Q30 to be exceeded, shunting the base current of the corresponding voltage amplifier. Thus the output drive to the final stage is limited.

In AC operation, if the RMS output current increases to approximately 100mA, the peaks of current cause the V<sub>be</sub> threshold of Q28 or Q30 to be exceeded. The output drive to the final stage is limited at this level.

### 7.6.3.5 Output Protection

The output current passes through the combination of R144 and L8. At DC and low frequency AC, the inductor provides a low output impedance, whereas at high frequencies the resistor stabilizes the amplifier when driving capacitive loads.

### 7.6.3.6 10V Buffer Output

For DC and AC 10V ranges, relay RL3 is energized.

For DC, RL4 is un-energized, so the 10V Buffer output passes via RL3-8/4 and RL4-4/6 as the 'DC 10V+100V' signal, J19-19/20 to the Mother assembly, and thence to the DC assembly.

For AC, RL4 is energized, diverting the 10V Buffer output via RL4-4/8 as the 'AC 10V+100V' signal, and out at J19-15/16 via the Mother assembly to the AC assembly.

### 7.6.3.7 10V Amplifier Power Supplies

M17 and M19 are supplied from 15V Common-2A rails, but the discrete amplifier receives power from the 38V supply, which is also used for the Error Amplifier on the DC assembly.

---

### 7.6.5 REMAINDER OF THE 10V LOOP

From this point, the 10V range loop follows the same path as the 1V loop, both outwards to the I+ and I- terminals and back to the Error Amplifier inverting (sense) input. Of course, on the 10V range, the returning sense signal is compared with the full DC Ref voltage, rather than the attenuated DC Ref for the 1V range. Refer to *sub-section 7.3*; from *para. 7.3.6* onwards.

---

## 7.7 DC HIGH VOLTAGE LOOPS

The instrument includes two high voltage DC ranges. The 100V range extends from -200V to +200V full scale, the 1000V range from -1100V to +1100V full scale.

The simplified block diagram of Fig. 7.2 illustrates the high voltage DC circuit arrangement and signal flow. The details of the 100V and 1000V ranges are described in Sub-sections 7.8 and 7.9.

### 7.7.1 HIGH VOLTAGE DELIVERY

Both ranges employ the same referencing arrangement used for the 10V DC Range, but the techniques necessary to generate high voltages differ from those in the low voltage loops:

- For the 100V Range, a VMOS circuit amplifies the  $\pm 20V$  Reference directly, as a DC signal, powered from a separate  $\pm 400V$  supply. The 100V range voltages are passed back via the range switching circuitry in the DC assembly to be output from the instrument as for the low voltage ranges.

- For the 1000V Range, the DC reference is first converted to a 16kHz AC signal, amplified in the same 100V amplifier, then stepped up to 1000V range voltages through a separate transformer. Subsequent high voltage rectification, filtering and polarity-switching converts the AC output from the transformer secondary into a DC voltage. A separate line conveys the 1kV range voltage back to the DC assembly for range switching and output from the instrument.

### 7.7.2 HIGH VOLTAGE SENSING

A guarded high-voltage switched precision attenuator reduces the DC sense voltage from the Hi and Lo terminals to Reference levels. The attenuated sense voltage is compared with the DC Ref voltage, their difference being used as an error signal to correct the range output level.

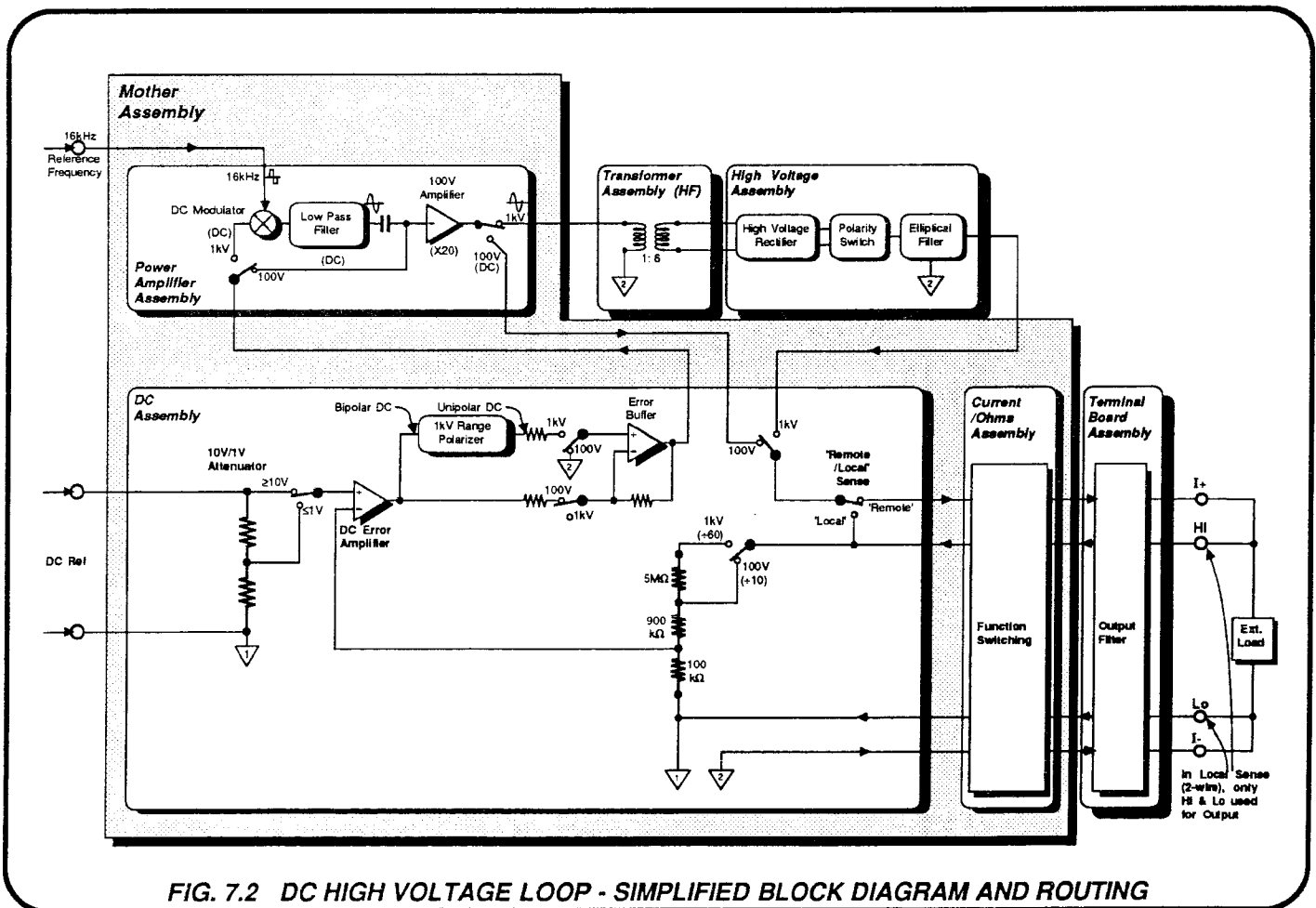


FIG. 7.2 DC HIGH VOLTAGE LOOP - SIMPLIFIED BLOCK DIAGRAM AND ROUTING

## 7.8 100V RANGE

### 7.8.1 INTRODUCTION

The '10V+100V+1000V DC ERROR' signal, generated by the +2 DC Error Buffer in the DC assembly, enters the Power Amplifier as for the 10VDC range; but the 10V Amplifier is bypassed for the high voltage ranges.

On the 100V range, the signal is switched directly into the 100V Amplifier, where it is scaled up by a factor of -20, the amplifier output being delivered via the 'DC 10V+100V' line to the PHI(DCV) line on the DC assembly. Thereafter the output is transferred to the instrument terminals as for the 10V range.

### 7.8.2 100V RANGE POWER ROUTING

#### 7.8.2.1 DC Reference and Error Amplifier (Circuit diagram 430536 Page 11.5-1)

The DC Ref signal is derived as for the 1V range, entering the DC assembly at the same pins: J5 pins 1, 2, 3 and 4. Relay RL18 again connects the power and sense lines to the two star-points TP2 and TP3, the latter being the signal Common-1 point.

On the 100V range, RL16-8/9 connects the full DC Reference to the non-inverting input of the Error Amplifier, which operates as for the 1V range, except that the span of voltages is now the full -20V to +20V.

#### 7.8.2.2 DC +2 Error Buffer M14

The Error Amplifier output is blocked from the 1V Buffer by the open contacts 10/11 of RL16. Instead, it is connected by RL6-6/4 as input to M14.

For the 10V and 100V ranges, M14 is connected as an inverting +2 line buffer by the un-energized relay RL6-6/4 and 11/13. For the 100V range, M14 output passes to the Power Amplifier assembly via J5-73 and the Mother assembly.

#### 7.8.2.3 Power Amplifier and Output Routing (Circuit Diagrams: 430618 pages 11.9-2 and 11.9-3; 430536 page 11.5-1)

'DC Error' enters the Power Amplifier assembly at J9-40 (refer to page 11.9-2). Relay RL3 is un-energized, shorting the 10V Amplifier input; and RL4 is un-energized, routing the DC Error signal to the 100V Amplifier as signal '100V I/P' (page 11.9-3).

Energized relay contacts RL2-8/4 apply the signal to the Gain Stage, which provides drive to the power amplifiers in the positive and negative heat sinks, via J3-12 and J3-11. The single-ended output from the heatsinks at J3-9 passes via R89, L7 and relay RL2-13/9 (RL2 energized), to RL3-6 (page 11.9-2), and onto the 'DC 10V+100V' line via RL4-4/6, R174 and J9-19/20.

On the DC assembly (page 11.5-1), the signal is routed to the PHI(DCV) line as for the 10V range.

### 7.8.3 100V AMPLIFIER (Circuit Diagram 430618 page 11.9-3)

The 100V amplifier is in three stages:

- **Gain Stage:** this is similar to the first stage of the 10V amplifier, but with a different distribution of gain.
- **Driver Stage:** providing most of the gain, this stage runs from a regulated 400V supply.
- **Buffer Output Stage:** complementary MOSFET circuits, located on the positive and negative heatsinks, provide a single-ended output with the required voltage swing, at low impedance.

The voltage gain for the whole 100V amplifier is set at 100 by the input resistors R74/R71 and the feedback resistor R88.

The 100V amplifier is also used for 100V AC outputs, and on the DC and AC 1000V ranges to drive the step-up transformer. For this reason the following description is applicable to both DC and AC signal processing, and will be referred to in the sub-sections dealing with those functions and ranges.

#### 7.8.3.1 Input to Gain and Driver Stages (Circuit Diagram 430618 pages 11.9-2 and 11.9-3)

The DC ERROR signal enters the PA assembly at J9-40, passing to the input of the 100V Power Amplifier via relays RL4-11/13 and RL2-8/4. It is referred to common 2B by developing a voltage across R72.

#### 7.8.3.2 DC Offset Correction

M10 is the DC offset integrator, with diode clamping. It provides a DC input to the non-inverting input of the voltage gain amplifier M8, controlling its DC offset. This is similar to the arrangement in the 10V Amplifier.

#### 7.8.3.3 Signal Processing

M8 is a high speed hybrid amplifier operating as an inverter. With link LKD normally made, its stage gain is approximately 2.5, frequency compensated by C18 and C72. It operates from the 15V Common-2B supplies, but its signal output is converted into a current by Q10 and Q8; allowing its mean DC voltage for AC signals to reach the -400V levels required to operate the driver MOSFET output circuit. Diodes D44, D43 and D36 prevent negative latch-up.

Voltage Regulator M21 sets its pin 1 to +12V. Common-emitter buffer Q10 drives the capacitance of Q8 source-gate from the output of M8, forming a cascode current generator. The drain of p-channel MOSFET Q8 passes the signal current to the mirror Q12/Q11 at voltages close to the negative 400V rail.

The current-mirror output transistor Q11 is also in cascode with its associated MOSFET Q9. Emitter resistor R53 defines the current in Q9, the ratio R52/R53 setting the mirror's current gain.

MOSFETs are inherently capacitive, so measures are taken to nullify the effects, on slew rate, of the capacitive currents between Q9 electrodes. The cascode arrangement ensures that any source-gate and source-drain capacitive currents join the main flow of source current and have little effect on slew rate.

The Miller feedback of the drain-gate capacitance has the greatest effect on slew rate, generating AC currents between anti-phase electrodes which normally pass into the input circuit. In this arrangement, Q13 diverts these currents back into the cascode current, while maintaining a standing bias of about 4 volts between gate and source. These measures minimize the reduction of Q9 operating bandwidth.

R51 and D42 provide Q13 operating bias, and D51 protects the bias circuit. The high-power resistor R49 refers the bias circuit to Common-2, and C26 stabilizes the base-emitter bias of Q13. Zener diode D39 protects the MOSFET from source-gate voltage breakdown.

### 7.8.3.4 Driver Regulator

At Full Scale on the 100V AC range, the output from the driver is 200V RMS. This requires Q9 drain to provide a peak-to-peak voltage swing approaching 600 Volts, as there is no voltage gain in the heatsink power amplifiers. The positive supply which provides Q9 current therefore needs special regulation.

The 400 volt supply is at this point unregulated, so can contain line ripple and level variations, this noise level being critical to the output performance. To define a stable supply voltage, a DC restoration circuit is employed as a trough detector, maintaining a level about 5V below the most negative excursions of the ripple.

At power-up, 75V zener D57 allows a rapid charge of reservoir capacitors C49 and C59, until the charge reduces D57 voltage below the avalanche level. When D57 cuts-off, R100 provides a charge path of  $1M\Omega$ , giving a time constant of approximately 10 seconds. The smoothed voltage across C49/C59 is divided by R101, R86 and R87; so a small voltage is dropped across R101, and Q20 gate is held about 5V below the +400V(2)B line voltage. The N-channel source-follower Q20 thus provides a quiet, low-impedance DC supply voltage.

Zener diodes D60 and D61 divide the voltage across C49 and C59, so that their breakdown voltages are not exceeded. The 10V zener D54 protects the TMOS gate/source from excessive voltages.

The opto-coupler M16 permits the 400v supply to be switched off, allowing D56 to assume forward bias, thus connecting the rail to the +38V supply. This facility is made available to reduce the voltage across R65, and hence its continuous power loading, when the instrument is delivering a DC output of negative polarity. M16 is turned off for AC and positive DC outputs, by the 'POSITIVE' signal from the processor being set to logic-1 (0V). Thus M16-6 is isolated from M16-5, and the +400V rail out of the regulator remains energized. For negative DC outputs, the cathode of the LED in M16 is pulled to logic-0 (the POSITIVE signal being set to -15V on M16-3 - see page 11.9-5); the LED emits, and M16-6/5 shorts out D54 turning Q20 off. The total supply voltage for negative outputs is then limited to 438V.

At HF, inductor L6 appears as a current source, increasing the impedance of Q9 drain load with frequency to compensate for capacitive loading. It has the advantage of not increasing the net power dissipated in the stage; any active current source would have significant output capacitance. The 12-watt resistor R65 is the main resistive drain load for Q9.

### 7.8.3.5 Driver Output

The driver develops its output voltage, which can involve peak-to-peak AC swings of up to 600V, across the load resistor R65. Zener diode D41 is included to clamp the output in the event of the heatsinks being disconnected. This is normally held below avalanche by the current passing through a series bias buffer (Q8) in the Positive Heatsink assembly, via J3-11 and J3-12.

The main frequency compensation is performed by capacitor C12. This could have been connected to the drain of Q9, but the output line slew rate is sensitive to capacitive loading. Instead it is connected via J2-7, to a low impedance point in the Negative Heatsink assembly, which follows the driver output voltage swing.

## 7.8.4 100V POWER AMPLIFIER

(Circuit Diagrams 430637 page 11.13-1  
and 430539 page 11.13-2)

The 100V power amplifier stage is split between the Positive and Negative Heatsink assemblies. The driver output voltage is connected into the Positive assembly, and the frequency compensation feedback is derived in the Negative assembly.

The whole circuit is a complementary, single-ended push-pull amplifier with unity voltage gain. To achieve the full 300V peak voltage output, two MOSFET source-followers are connected in cascode, for each polarity, in a totempole arrangement.

To obtain the required peak current levels, each source-follower consists of two MOSFETs in parallel. In all, therefore, eight MOSFET devices are used.

On 100V ranges, the output currents are such as to bias the amplifier in class A, but on 1000V ranges the output currents impose class AB conditions. Crossover distortion is minimized by a regulated bias, generated by a  $V_{gs}$  multiplier (M1 in the Positive Heatsink assembly).

Power for the amplifier is provided by the same 400V supply that serves the driver circuit. To minimize internal temperature by improving efficiency, overall power loss is reduced by regulation only where required. Thus only the driver stage is regulated, allowing the power amplifier to take power directly from the unregulated supply. Being source-followers, the ripple on their 400V rail is not transmitted.

#### 7.8.4.1 Positive Heatsink Assembly (Circuit Diagram 430637 Page 11.13-1)

N-channel MOSFETs Q1 and Q2 are connected in parallel, as are Q3 and Q4. All devices are matched for power dissipation and threshold voltage for an even dissipation of approximately 400W between the two heatsinks. All gate-source potentials are limited by 10V zeners.

The input voltage from the driver is present at J3-11 and J3-12. Most of the driver load current passes through the bias buffer Q8, and the voltage developed across Q8/R21 is applied to the bias control R10. The Vgs multiplier M1/Q8 acts as a high gain shunt regulator, generating a bias of between 5V and 9V, set by R10. The regulator's own bias chain of Q9, D8, and Q5 (which is connected as a diode) responds to the temperature of the heatsink to compensate for the temperature coefficients of the MOSFETs.

The 'DRIVE-' voltage at J3-11 is transferred directly to the negative heatsink input via J1-7 (Circuit Diagram 430539 page 11.13-2).

The 'DRIVE+' voltage at J3-12 is buffered by Q7 and applied to the gates of Q3 and Q4. In the event of an output short-circuit, Q6 detects the output current as a voltage across R14, imposing a hard limit of 1.5A by reducing the signal voltage at the input to the MOSFET gates.

The series gate resistors R5 and R6, together with their associated drain-gate capacitances, form the dominant pole of the amplifier. Damping resistor R19 with ferrite bead FB1, prevent local oscillations in emitter-follower Q7.

Q1 and Q2 act as buffers to provide a bootstrapped supply for the output devices Q3 and Q4, splitting the overall power dissipation to four points of application to the heatsink. The gates of Q1 and Q2 receive their drive from the output line, obtained via the divider R16/R22/R23/R15. Capacitors C10 and C13 decouple any noise on the 400V rail; C11 and C12 correct any lag which may be generated by C10 and C13. C5 and C6 control the division ratio at HF, swamping any stray capacitance.

The drains of Q3 and Q4 are shorted together, and connected via J1-5 by a 10nF capacitor to the corresponding point in the Negative Heatsink, completing an AC bootstrap (BS). The gates of Q3/Q4 (J1-1) and Q1/Q2 (J1-4) are similarly linked to their corresponding points in the negative heatsink. This ensures that AC swings in both polarities are identical.

The combined output from the Positive and Negative Heatsinks is transmitted back to the Power Amplifier assembly via along the screen of the input connection.

#### 7.8.4.2 Negative Heatsink Assembly (Circuit Diagram 430539 Page 11.13-2)

This is virtually a mirror image of the Positive Heatsink circuit. However, because the P-channel MOSFETs are operating closer to their maximum voltage rating, they are further protected by Zener diodes which limit their drain-gate potentials.

The HF swamp capacitors are not required, as the whole circuit is AC-bootstrapped to corresponding points in the Positive Heatsink assembly, via C1, C2 and C4.

HF compensation for the driver and output stages is derived at low impedance from the junction of R2 and D12. It feeds back via J2-7 to the driver output circuit, through C12 in the Power Amplifier assembly, to avoid capacitively loading the driver output line.

#### 7.8.4.3 Over-Temperature Detection

The two NTC thermistors in each heatsink circuit are part of a bridge network which detects excessive temperatures on the heatsinks. The action of the bridge is described in section 7.12.9.

#### 7.8.4.4 100V Output Connection

##### DANGER!

For guarding purposes, the output from the heatsinks is transmitted back to J3-9 of the Power Amplifier assembly along the screen of the input cable. The voltages on this screen are POTENTIALLY LETHAL. Utmost caution should be exercised when working in its vicinity.

#### 7.8.4.5 Heatsink Removal

The 100V Amplifier can work with the heatsinks removed, because of the clamp diode (D41 on page 11.9-3) in series with the driver load. If they are removed, however, J3-9 and J3-11 in the disconnected socket of J3 must be connected together, to maintain the feedback. In this condition, the gain falls due to loading of the driver by resistors in the DC or AC assembly.

### 7.8.5 POWER SUPPLIES AND PROTECTION

Three main power supplies are employed in the Power Amplifier:

- **15V Common-2 in-guard supply.**

This is used for all low voltage applications, including the switching and functional logic. For the most part the logic conforms to the standard: logic-0 = -15V; logic-1 = 0V.

- **38V Common-2 supply.**

Required mainly for the 10V Power Amplifier, but also for negative DC outputs in the 100V Amplifier driver, this supply is generated on the separate 38V Power Supply assembly (Refer to page 11.12-1). Part of the supply circuit is situated on the Mother Assembly.

- **400V Power Supply.**

The 100V Power Amplifier used for the 100V and 1000V ranges, for both DC and AC outputs. The line transformer secondary output is rectified and smoothed on the Mother assembly, and the main regulator circuitry for the driver stage is contained on the Power Supply / Current Heatsink. The power output stage of the 100V Amplifier receives unregulated 400V supply. Extensive protection is incorporated.

### 7.8.5.1 38V Supply

(Circuit Diagram 430653 Page 11.12-1)

The mains (line) transformer secondary centre tap is referred to Common-2 on the Mother assembly after passing through the 38V Power Supply assembly. This secondary also provides an adjustable AC output for the 'Common Mode Null' balancing circuit.

A single bridge rectifier on the Mother assembly provides both positive and negative raw supplies for the foldback regulator in the 38V Power Supply assembly.

The 38V supply circuit is described in *Section 6.7, para 6.7.3.4*.

### 7.8.5.2 400V Transformation and Rectification

(Circuit Diagram 430604 Page 11.16-5)

The mains (line) transformer secondary centre tap is referred to Common-2 on the Mother assembly. The secondary is switched with the secondary for the 38V supply, to allow a lower voltage to drive the 100V power amplifier for servicing purposes. Under operational conditions in the 4708, this switch, which is situated prominently on the Mains Transformer assembly, is set to the 400V position.

A single bridge rectifier on the Mother assembly uses series diodes to achieve the high peak inverse voltage performance required for the 400V supply.

After smoothing, and part-loading by a bleeder resistor chain (the bleeder resistors also balance the voltages across the capacitors); the rectifier output is passed via J31, to provide both positive and negative raw supplies for the foldback regulator in the PS/I Heatsink assembly.

### 7.8.5.3 400V Current Control

(Circuit Diagram 430540 Page 11.13-3)

When the 400V supply is enabled, the LEDs in opto-isolators M1 and M2 are conducting, allowing their opto-transistors to be energized. As the circuits for both polarities are otherwise symmetrical, only the positive circuit is described.

Zener Diode D8 protects the source-gate circuit of level-shifter Q3. This N-channel MOSFET supplies a current of 1.4mA, as defined by Q8, to the current-monitor reference zener diode D7. This current is available only if the 400V supply is enabled by M1, otherwise Q4 base is pulled down by D1/R9, Q4 conducting via D7 so Q9 is pinched off.

Under normal operating conditions the Power Amplifier supply current is drawn through the P-channel MOSFET Q9, which is held in conduction by R8, R12 and D2. The current is sensed by the parallel combination of resistors R17 and R32. Although the peaks of the current taken by the power amplifier can reach 1.4A, the mean value is less than 0.5A. Ripple currents making up the difference are smoothed by the main reservoir capacitors C31 and C22 on the Power Amplifier assembly (*page 11.9-3*).

For mean currents more than approximately 0.5A (in particular for output short-circuits); the voltage sensed across R17/R32, subsequently divided by the attenuator R10/R9, exceeds the threshold of Q4/D7. Q4 conducts to pass current into R8, reducing the drive to Q9 gate, so the +400V(2)B voltage at D5 anode falls. When the voltage dropped by Q9 rises to 56V, zener D5 conducts and pulls Q4 base down, further reducing the drive to Q9 gate. This cumulative action is slowed only by the time constant of the combination R34/C15, so that both voltage and current on the +400V(2)B line are simultaneously closed down.

With a persistent 400V overload, the circuit cannot recover naturally from this 'foldback' mode. However, the 400V voltage is monitored. If the 400V monitor senses a failure, a status bit is passed back to the CPU via the SSDA serial link. The CPU makes three attempts to reinstate correct operation by removing the PA bias while restarting the supply via the 400V enable line. If after the third attempt the voltage does not recover, the CPU assumes that a hardware fault is present, so displays the 'FAIL 7' message.

### 7.8.5.4 100V Current Sense and 1kV Overvolts Detector

(Circuit Diagram 430618 Page 11.9-6)

This detector circuitry is used only for AC High Voltage ranges, and is described with the AC Voltage Amplitude Control system in *Section 9*. However, as the 400V supplies pass through the circuit for DC high voltage ranges, it is worth a mention at this point.

The 400V(2)B lines enter the Power Amplifier assembly from the PS/I Heatsink at J1-8/6 and are filtered by L1 and L2 before being applied across two neon lamps LP1 and LP3. These lamps are visible from the top and rear of the instrument when the PA board is exposed, indicating that a dangerous voltage is present.

The 400V(2)B lines pass on to power the driver stage of the 100V amplifier, where the voltage is regulated as described in *sect. 7.8.3.4*.

The 400V(2)C lines supply the power amplifier in the Positive and Negative Heatsinks.

On the AC 100V range, the current in each of these lines is used as an analog of the load placed on the amplifier. (On the 1000V ranges, any overload is sensed by an AC or DC overcurrent detector in the DC assembly.) On the AC 1000V Range, the voltage applied to the primary of the step-up transformer is fed via a resistor to the detector at M2-5/9. The '100V AC' line is set to logic-Ø (-15V) only when the 100V AC range is selected.

## 7.8.6 PA POWER SUPPLY MONITORS

(Circuit Diagram 430618 Page 11.9-4)

All three power supply voltages: 15V, 38V, and 400V; are monitored using similar comparators to initiate individual 'FAIL' messages. In addition, if either the 400V or the 15V circuit detects a low power supply voltage, the 400V supply is disabled.

### 7.8.6.1 Comparator Supply Protection

To ensure that failure of either the 15V or the 38V supply does not remove the power from the three comparators, these two sources are 'OR'ed by D5, D6, D15 and D16 (the 38V supply being ballasted by R1 and R15) to provide the V+ and V- supply to the Quad op-amp M3. In nine of the possible sixteen states of failure of these two supplies, power will still be applied to the comparators. The maximum values of V+ and V- are limited to +16V and -16V by zener diodes D7 and D14.

### 7.8.6.2 15V Monitor

Zener diode D29 is the 2.45V reference for the 15V comparator. It is ballasted by R27 to V+, and its +2.45V above the -15V rail is applied to the non-inverting input of M3c. The +15V to -15V supply is divided by R29/R30/R33, generating a voltage +2.50V above the -15V rail at the inverting input to M3c under normal operating conditions. Thus the output at M3c-7 remains at the negative (V-) rail, holding D28 in forward bias, and the 15V(2) FAIL line at J9-108 is held at Logic-Ø (-15V).

If the voltage between the ±15V supply rails falls to less than 29.4V, the voltage across R30/R33 falls to less than the reference 2.45V. The output at M3c-7 changes state to the V+ rail, reverse-biasing D28, so the 15V(2) FAIL line is pulled to logic-1 (0V) by R28.

The logic levels on the 15V(2) FAIL line pass via the Mother assembly to the Parallel/Serial status registers in the Reference Divider assembly (M18-5 on page 11.4-4). During each control data transfer, the SSDA also passes the condition of the status registers back across guard to be read by the CPU. When the 15V(2) FAIL line switches to logic-1 due to a 15V failure, this is detected by the CPU which produces the FAIL 9 message on the MODE display.

The 15V monitor output line also gives an input to the 400V enable logic (sect 7.12.5). The effect of a 15V failure is to disable the 400V(2)B regulated supply via D26 conduction and J1-3 at logic-1.

### 7.8.6.3 38V Monitor

The action is similar to the 15V monitor, but because of the higher voltage, the divider between the +38V and -38V lines is balanced by two 10kΩ droppers in each line. Without Q5, the 2.45V zener bias current would affect the sensing level. By employing Q5 as a voltage follower, D25 bias current can pass directly to the V- rail and still be referred to the R25/R26 junction. The  $V_{be}$  drops in Q5 cancel one another out, so the zener and the sensor R25/R32 are referred to the same potential.

In normal operation the voltage across the 715Ω of R25/R32 is approximately 2.62V, in excess of the 2.45V of D25.

If the 76V between the +38V and -38V rails fails by falling to 71V, the voltage at M3b-2 falls below that at M3b-3, and the output at M3b-1 changes state from -V to +V. The action of D22 and the 38V(2) FAIL line are the same as for the 15V monitor.

### 7.8.6.4 400V Monitor

The 400V Monitor is in two mirrored halves, each dealing with its own polarity of the supply, so only the positive half is described.

Zener D9 provides the +2.45V reference on the non-inverting input at M3d-12. The divided +400V is sensed across R16 at a normal operating voltage of +3.27V (referred to common-2C) and applied to the inverting input at M3d-13, thus setting the output at M3d-14 to the V- rail voltage. D20 is reverse-biassed so the 400V(2) FAIL voltage is pulled to logic-Ø (-15V) by R7.

If the +400V supply fails by falling below +300V, the voltage across R16 falls below the +2.45V reference and the M3d-14 output switches to the V+ rail voltage. D20 conducts, pulling the 400V(2) FAIL line at J9-106 to logic-1.

In normal 400V operation R31 is shorted by the 400V/50V switch on the Mains (line) transformer, via the 'Lo SUPPLY A' and 'Lo SUPPLY B' lines. When the switch is set to 50V, the Lo SUPPLY A line is connected to -15V, effectively disabling the monitor output by holding the 400V(2) FAIL line at logic-Ø.

The output line gives an input via D3 to the 400V enable logic (described in sub-section 7.12.5). Its effect is as for a 15V failure.



## 7.9 1000V RANGE

### 7.9.1 INTRODUCTION

#### 7.9.1.1 Power Signal Processing

##### Method

The 1000V DC Range obtains its high voltages by using the 100V power amplifier to drive an AC signal into the primary of a step-up transformer. The AC signal is derived by modulating a 16kHz reference with the DC ERROR signal.

##### Error Signal Conditioning

The '10V+100V+1000V DC ERROR' signal is pre-conditioned by the VCA Drive circuitry in the DC assembly, before it enters the Power Amplifier. The 10V Amplifier is bypassed.

##### High AC Voltage Generation

The modulated 16kHz signal is passed from the DC modulator into the 100V Amplifier, where it is scaled up by a factor of -100, the amplifier output being delivered via the 'OUTPUT' line to the HF Transformer assembly.

##### Rectification and Output

The stepped-up secondary voltage is rectified and filtered in the High Voltage assembly:

- A constant-current source acts as a shunt to sustain the current drawn from the high-voltage secondary winding through the bridge rectifier. Polarity is switched with respect to common-2 via the LC-filtered 38V common-2 supplies. Positive polarity output is referred to -38V at zero output, to overlap with negative polarity output referred to +38V. The overlap allows digital calibration constants to be used to align zero voltage output in both polarities to the same calibrated zero.
- The main output filter is placed in the output line. This is a low-pass filter with a high rejection at 16kHz, reducing the ripple voltage to within specification limits.
- The output voltage is fed out through the Range switch on the DC assembly, where it is subject to Remote Sense and Output On/Off switching, before being passed to the I+ terminal by the same route as for low voltage ranges. High voltage status is detected on the DC assembly as described in *para 7.3.8.2* for the 1V Range.
- The external current is sunk into common-2 via the overcurrent detector, which warns the control processor when the output current exceeds approximately 28.5mA (*see para 7.3.8.1*). On the 1000V range the processor will switch the output off on receipt of the overcurrent signal from the overcurrent detector.

#### 7.9.1.2 Sense Loop

##### Sense Attenuation

The sensed output voltage from the Hi and Lo terminals is reduced down to 'DC Ref' levels by a guarded precision attenuator on the DC assembly, and then applied to the inverting input of the Error Amplifier:

- The Lo terminal and Sense Attenuator Lo are both referred to Common-1 (DC Ref Lo). The attenuator is dual-purpose, being used for both 100V and 1000V ranges. The Hi sense voltage is divided in the Sense Attenuators by 10 (100V Range) or 60 (1000V Range).
- The attenuated output is compared against DC Ref Hi in the Error Amplifier, modifying its output to the VCA Drive.
- The 10V Bootstrap, in addition to supplying the Error Amplifier, also buffers DC Ref Hi as reference for the VCA Drive circuit.

##### Error Conditioning

The bipolar DC error voltage between the buffered DC Ref Hi and the Error Amplifier output is converted by a switched precision rectifier in the 'VCA Drive', to provide a suitable unipolar control signal for the DC modulator. The buffered output from the rectifier becomes the '10V+100V+1000V DC ERROR' signal which adjusts the amplitude of the 1000V Range outputs.

##### Loop Action and Reference Scaling

The Sense loop thus stabilizes the 1000V Range DC output to a value which is 60 times the DC Ref voltage, this value being determined by the division ratio of the precision sense attenuator. The DC Ref voltage is scaled digitally so that Full Scale of 20V corresponds to 1100V on the OUTPUT display and at the output terminals.

## 7.9.2 1000V RANGE POWER ROUTING

### 7.9.2.1 DC Reference and Error Amplifier (Circuit diagram 430536 *Page 11.5-1*)

The DC Ref signal is derived as for the 1V range, entering the DC assembly at the same pins: J5 pins 1, 2, 3 and 4. Relay RL18 again connects the power and sense lines to the two star-points TP2 and TP3, the latter being the signal Common-1 point.

On the 1000V range, RL16-8/9 connects the full DC Reference to the non-inverting input of the Error Amplifier, which operates as for the 1V range, except that the span of voltages is now the full -20V to +20V.

The Error Amplifier output is blocked from the 1V Buffer by the open contacts 10/11 of RL16. Instead, it passes as input to M15-5. The error signal is conditioned by the VCA Drive circuit M15/M14 and passed to the line buffer at M14-5. For the 1000V range, M14 is connected as a non-inverting line buffer by contacts 8/4 and 9/13 of energized relay RL6. M14-7 output passes to the Power Amplifier assembly via J5-73 and the Mother assembly.

### 7.9.2.2 Power Amplifier Routing (Circuit Diagrams: 430618 *pages 11.9-2 and 11.9-3*)

'DC Error' enters the Power Amplifier assembly at J9-40 (Refer to *page 11.9-2*). Relay RL3 remains un-energized, shorting across the 10V Amplifier input. The DC Error signal is routed via link LK.W and TP14 to the 1kV DC Modulator at R78. The route to the 100V Amplifier input as signal '100V I/P' via RL4-11/13 is blocked by the open contacts 8/4 of unenergized relay RL2 (*page 11.9-3*).

The output from the modulator is a 16kHz AC signal at TP15 whose amplitude is determined by the value of the DC Error signal. With RL1 unenergized on the 1kV DC Range, this AC signal passes via RL1-11/13 contacts to the '1kV ERROR O/P' line.

RL2-6/4 contacts (*page 11.9-3*) apply the signal to the Gain Stage, which provides drive to the power amplifiers in the positive and negative heat sinks, via J3-12 and J3-11. The single-ended output from the heatsinks at J3-9 passes via the OUTPUT line to the 1kV ENABLE relay contacts RL6-8/9 (*page 11.9-2*). RL6 is energized, and RL7 is unenergized on the DC 1kV Range, so the OUTPUT line is connected to J5-3 (PA assembly) and out as a direct link to the High Frequency Transformer assembly.

### 7.9.2.3 High Voltage Assembly Routing (Circuit Diagram 430537 *page 11.14-1*)

The high voltage output from the secondary of the HF transformer is input to the High Voltage assembly between its J2-1/2 and J2-8/9. After rectification, polarity switching and filtering, the DC 1kV signal is output via J1-2/3 to pin L on the Mother assembly, where it is again filtered before passing to the DC assembly on J5-33/34.

### 7.9.2.4 DC Assembly Power and Sense Routing (Circuit Diagram 430536 *page 11.5-1*)

On the DC assembly, the DC 1kV signal line is fused at 1A by F5, and the signal is routed through RL7-5/4. At this point the voltage is also used to energize the attenuator guard network R15 etc. It is routed to the PHI(DCV) line through RL7-10/11, then out to the I+ terminal and back from the Hi terminal on the SHI(DCV) line as for the 1V range. The current returning from the I- terminal is sunk into common-2 via the overcurrent detector R56 (*see para 7.3.8.1*).

SHI(DCV) is range switched on to the HV attenuator R17 etc. by RL7-8/9, the reduced voltage being taken off through RL9-10/11 and applied to the inverting input of the Error Amplifier.

### 7.9.3 VCA DRIVE CIRCUITRY (Circuit Diagram 430536 page 11.5-1)

The attenuated sense signal is applied to the inverting input of the Error Amplifier via RL9-10/11. This bootstrapped, high gain circuit compares the sense signal with DC Ref. When both are equal; the output at M20-6, the bootstrap common BS at TP1, DC Ref Hi and the sense signal are all at the same level. Therefore the differential input to the error buffer-comparator M15 is zero at M15-6/5.

The second M15 stage acts as a bipolar-unipolar switch which adapts the bi-polar action of the Error Amplifier to the unipolar sensitivity of the DC modulator:

- With the front panel OUTPUT ON+ LED lit, the POSITIVE control signal is at logic-1 (0V). FET Q1 conducts, setting the M15-3 non-inverting input to zero volts, so the amplifier inverts the input at M15-2.
- Alternatively, if the OUTPUT ON- LED is lit the POSITIVE signal is at logic-0 (-15V), cutting off Q2. M15-3 follows the M15-7 voltage, so the amplifier acts as a voltage follower.

The gain from M15-7 to the I+ terminal is approx. x2000. R87 and C40 at the Error Amplifier input; and R40, C21 on the first stage of M14; provide frequency compensation for the overall loop.

For the 1000V range, the second M14 stage is connected as a non-inverting line buffer by contacts 8/4 and 9/13 of activated relay RL6. The output from M14-7 passes to the Power Amplifier assembly via J5-73 and the Mother assembly.

#### 7.9.3.1 Action of VCA Drive Circuitry

If a user increases a positive OUTPUT display value, the positive DC Ref Hi voltage will increase (this is a demand to increase a positive output voltage). The polarity switch inverts the positive input from M15-7, so M15-1 feeds a negative output to M14. This is inverted at M14-1 and then buffered by voltage follower action at M14-7. It is passed via the Mother assembly to the DC modulator on the Power Amplifier assembly as an increasing positive DC signal.

In the case of an increasing negative OUTPUT display value, the negative DC Ref Hi value will increase negatively. But now the POSITIVE signal is at logic-0 (-15V), so the output from M15-7 is not inverted and remains negative as for positive outputs. The action of M14 is not altered, so an increasing positive signal is sent to the DC modulator as before.

In both of the above cases the signal sent to the DC modulator is increasing positively, and this will result in an increasing 16kHz amplitude input to the 100V Amplifier. All polarity information is lost, so has to be re-inserted after rectification of the step-up transformer output, by the polarity switch in the High Voltage assembly.

### 7.9.4 DC MODULATOR

#### 7.9.4.1 16kHz Derivation (Circuit Diagrams: 430648 page 11.3-2; 430652 page 11.4-5; 430618 pages 11.9-5 /11.9-2)

The 13-bit counter in the Analogue Interface generates 16kHz at pin 14 of M16 (page 11.3-2). This is transferred into guard through optoisolator M3 on the Reference Divider (page 11.4-5). The 16kHz square wave, switching between logic-1 = 0V and logic-0 = -15V, enters the Power Amplifier assembly on J9-61 (page 11.9-5).

Providing the 1kV range is selected, and the 'PA CLAMP' signal is at logic-0 (-15V), the full 15V p-p squarewave passes via M6-4 and M9-10 to inverter Q41 (page 11.9-2).

#### 7.9.4.2 DC Error Signal Processing (Circuit Diagram 430618 page 11.9-2)

The modulator operates by alternately charging the low-pass filter formed by R83, C83 and C84 via the series switch Q39, and discharging it through Q40.

The 16kHz MOD DRIVE squarewave alternates between logic-1 (0V) and logic-0 (-15V). After inversion in Q41, the signal at its collector switches between the +15V and -15V rails. Positive half-cycles of the MOD DRIVE signal make Q41 conduct, switching Q40 off and Q39 on, so the DC Error voltage charges the filter. For negative half-cycles the conditions are reversed and the filter is discharged to Common-2.

The DC Error signal is always positive, due to the polarity switch on the DC assembly. Its amplitude depends on the difference between the conditioned output voltage and the DC Ref Value, but is limited to +12V by D75.

The filter reduces the 32kHz and higher harmonic content of the squarewave, while passing 16kHz with little distortion. Its output is buffered by source-follower Q42, before being AC-coupled to the 100V Amplifier by a high pass filter (formed mainly by C86 with the approx. 400Ω input resistance of the amplifier).

The near-sinusoidal 16kHz signal input to the 100V Amplifier has amplitude which is proportional to the value of the DC Error signal, so acts as an AC analog of the difference between the normalized instrument DC output voltage and the value of the DC Ref voltage. It is based on a mean of 0V, and is passed as the '1kV ERROR O/P' signal via RL1-11/13 and RL2-6/4 into the Gain Stage of the 100V Amplifier (page 11.9-3).

### 7.9.5 100V AMPLIFIER

(Circuit Diagram 430618 page 11.9-3)

(For description refer to Subsections 7.8.3 and 7.8.4)

This operates as for the 100V range, but in this case the DC path simply maintains the zero offset of the AC signal, which is amplified along the AC path. The output signal 'OUTPUT' is fed from J3-9 to relay RL6 contacts (page 11.9-2) for application to the step-up transformer.

### 7.9.6 '1kV ENABLE' RELAY RL6

(Circuit Diagram 430618 page 11.9-2)

Relay RL6 allows the OUTPUT signal from the 100V Amplifier to energize the HF step-up transformer, providing the following conditions are met:

#### The $\overline{1kV}$ Signal is at Logic-0:

This is a processor-controlled signal, set to logic-0 when the instrument output is switched on, in the 1000V range.

#### The Watchdog has NOT 'Barked'.

#### The '1kV ENABLE' Switch S1 on the Power Amplifier assembly is set to 'ENABLE'.

S1 is situated below the left-hand ejector lever (viewed from the front of the instrument), facing the rear. It allows the high voltage to be switched off for servicing purposes. A red LED glows when all other conditions are met.

When RL6 is closed, the OUTPUT signal from the 100V Amplifier is switched through to the contacts of RL7.

### 7.9.7 LF/HF TRANSFORMER SELECTION

The two transformers are separately located, their secondaries being connected into the High Voltage assembly. The HF transformer is selected when RL7 is unenergized, its primary being returned to Common-2C. RL7 is energized to select the LF transformer.

For the 16kHz signal used with the 1000V DC Range, the HF transformer is selected by RL7 being unenergized.

### 7.9.8 HIGH VOLTAGE TRANSFORMER AND RECTIFIER

(Circuit Diagram No. 430537 page 11.14-1).

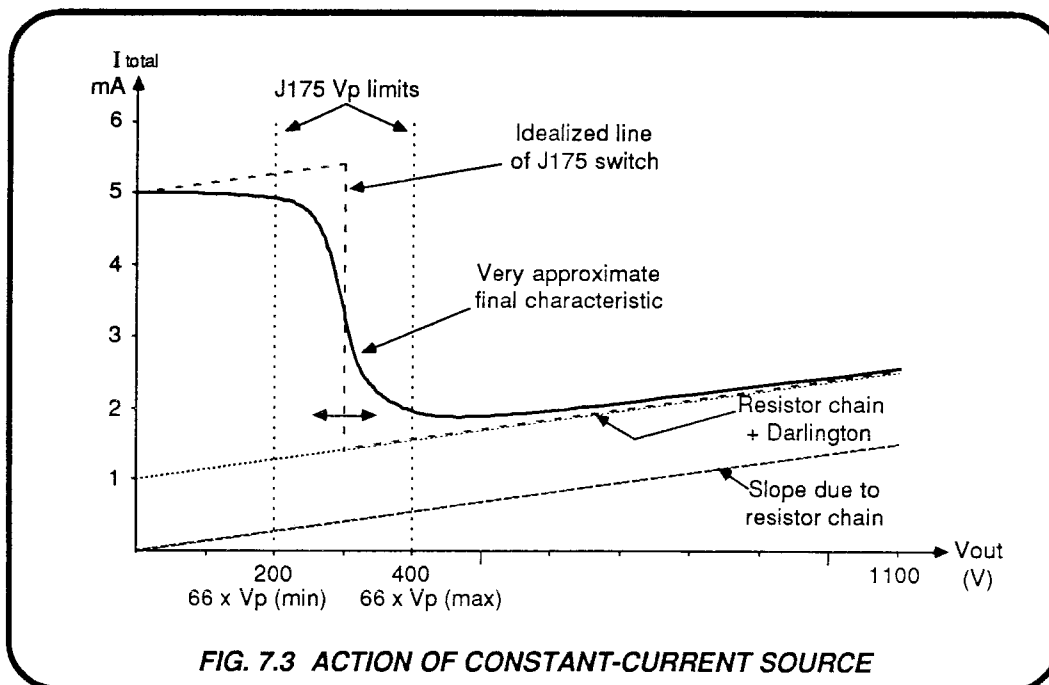
For the 1000V DC Range, the HF transformer gives a step up ratio of 1:6.17. This ratio generates secondary voltage outputs large enough to provide DC outputs from the instrument of 1100V. The AC relays RL2 and RL3 in the High Voltage assembly remain unenergized for the 1000V DC range, but the DC relay RL4 is energized, applying the HF transformer secondary voltage to the rectifier bridge via RL4-5/4 and RL4-2/3.

The rectifier bridge uses two series diodes in each arm. Each diode is current-rated at 1A, with a p.i.v. of 1.5kV.

N.B. The transformer secondary, and bridge rectifier are not directly referred to any common. This allows the rectifier output to float so that it may be used for either polarity.

### 7.9.9 CONSTANT-CURRENT ASSEMBLY

(Circuit Diagram 430563 page 11.14-2).



### 7.9.9.1 Constant-Current Source.

Q1-12 form a series Darlington chain, connected across the bridge rectifier output as a constant-current source, having two functions:

- It maintains conduction in diode bridge D56-D63 under no-load conditions.
- At higher voltages, D15-D17 limit Q11 base voltage to +2.4V, limiting the series current in R11, with Q13 pinched off. At lower voltages Q13 conducts, shunting R11 with 170-180 $\Omega$  (R10 plus Q13 'On' resistance which falls to approx 125 $\Omega$ ), and increasing the discharge current. The approximate shape of the overall characteristic is shown in *Fig. 7.3*.

**NB** Note that the minimum voltage applied across the constant-current source is 38V. Even at zero output voltage and current, the diode bridge generates 38V to back off the positive or negative 38V connected to RL3.

### 7.9.9.2 Overvoltage Detection

Zener diodes D1 - D13 form a series chain across the High Voltage supply. When the voltage exceeds 1440V this chain conducts, lifting D13 cathode and driving opto-isolator M1. M1 collector falls, turning on Q14, whose collector voltage rises to provide a 'LIM DET' logic-1 (0V) output at pin 5. This signal travels from the High Voltage assembly at J1-14, via the Mother assembly, to the Power Amplifier assembly at J9-69.

The operation of the LIM DET circuitry and subsequent action is described in *Section 7.12*.

### 7.9.10 POLARITY SWITCHING

(Circuit Diagram 430537 *page 11.14-1*)

Double-pole relay RL5 performs the polarity-reversal. With RL5 un-energized as shown the output filter is connected to rectifier positive, and the -38V Common-2 supply is connected to rectifier negative. During zero calibration, the -38V is backed off to give a true zero output by an output from the rectifier.

Relay RL5 is controlled by the Exclusive-NOR gate M4-2, under the influence of the CPU's 'POSITIVE' and 'PA CLAMP ON' signals from the serial data-link parallel output registers. When negative outputs are selected, providing the PA is not clamped; RL5 is energized, the output filter is connected to rectifier negative, and the +38V Common-2 supply is connected to rectifier positive. Again, the +38V is backed off by an output from the rectifier for all negative outputs, including zero.

The requirements which decide the use of the Exclusive-NOR function are discussed in *sub-section 7.12.4*.

### 7.9.11 OUTPUT FILTERING

The high voltage output is filtered in three stages:

- a. L3, R1, C1 and C2 together form a 2-pole low-pass filter, which attenuates 16kHz by approx. 30dB and 32kHz by approx. 42dB.
- b. L4, L5 and their associated capacitors form a 5-pole filter with elliptical characteristics, attenuating by at least 60dB above 16kHz.
- c. The final stage is formed by R10, with C1, R84 and R85 on the Mother assembly (Circuit Diagram 430604 *page 11.16-1*). This provides further attenuation of approximately 30dB at 16kHz and 36dB at 32kHz.

### 7.9.12 1kV DC OVERCURRENT

The overcurrent detector on the DC assembly operates on the 1000V Range identically as on the 1V Range. Refer to *para 7.3.8.1*.

### 7.9.13 1kV and 100V SENSE ATTENUATION

(Circuit Diagram 430536 *page 11.5-1*)

Both ranges' output voltages are sensed on the SHI(DCV) line and reduced to 10V Range levels in the same guarded attenuator.

The 1000V Range output is developed across the full attenuator via relay RL7-8/9 contacts, and the guard chain is driven from the DC 1kV line via RL7-5/4.

The 100V output enters the attenuator at the tapping between R85 and R101 via RL8-9/8 contacts, the corresponding guard voltage being applied to the Guard chain via RL8-4/5.

The output tapping is common to both ranges, taken at the 900k $\Omega$ /100k $\Omega$  junction of R101. Thus the 1000V DC Range voltages are attenuated by 60:1, the 100V DC Range voltages by 10:1. The reduced output from the Sense attenuator is applied to the inverting input of the Error Amplifier.

Each junction between adjacent elements of the attenuator has its own guard screen. To eliminate leakage while providing an effective guard, a separate attenuator steps the power output voltage on the PHI(DCV) down to the correct voltage for each junction's guard screen.

The Sense attenuator sinks into Common-1, the 'reference' common to which the Error Amplifier and the 10V/1V attenuator are also referred. The guard attenuator sinks into Common-2, the general analog power common.

## 7.10 LOGIC CONTROL OF DC OUTPUTS

Two main aspects of analog control functions can be considered:

- a. The effects of the controls on the analog circuitry, which are discussed elsewhere in the descriptions of the relevant circuits;
- b. The methods of implementing the control logic, which have been developed to use the minimum number of control signals. It is also required to dissipate as little energy as possible inside the heat-shielding chassis assembly, to avoid temperature effects on the accuracy of the analog circuits themselves.

### 7.10.1 LOGIC LEVELS

In general, the analog control logic operates between 0V and -15V, with Logic-1 = 0V, and Logic-Ø = -15V. These levels are set originally at the serial/parallel control data latches in the Reference Divider assembly as outputs from the serial data link, and are accepted by the parallel/serial status data latches as inputs to the link back to the CPU. Some special control signals are passed into guard via opto-isolators, also in the Reference Divider, operating between -10V and -15V. These are subsequently adjusted to the normal control logic levels.

### 7.10.2 HEAT REDUCTION

Two methods are used to ensure that the energy dissipated by the relays is minimized:

- Use of bistable latching relays.
- Use of an 'Update' signal;

#### 7.10.2.1 Update Considerations

For some heat-sensitive environments within the chassis assembly, polarized bistable latching relays are used which only require actuation, and hold on without a solenoid supply. Where relays need hold-on energization, they are usually tied to 0V or +15V on one side, and controlled on the other by the uncommitted collector of an inverting Darlington driver. Thus when the input to the driver is logic-1, the relay is held energized by its -15V output; and when the driver input is logic-Ø, its output is high impedance, releasing the relay.

For some relays it is necessary to hold the full actuating voltage across the solenoid for the whole time that it is energized. But where periodic updating will not cause difficulties, a relay is held on between 0V and -15V, raising the 0V side to +15V to actuate it during an update. Such relays have a secure hold-on voltage of approximately 12V, but require 20V or more to pull them in.

At intervals of 40ms (typically - depending on the priorities of the CPU's program), the CPU generates a data transfer across the serial interface, and an 'Update' signal is passed into guard by the CPU via an opto-isolator (M4 in the Reference Divider - *page 11.4-5*). This serves two purposes:

- It is mainly provided to ensure no delay in transferring important status data back to the CPU;
- It is available when it is required to update the analog state of the instrument functions, as demanded by reversionary modes or user inputs.

After passing into guard, the update signal is named 'UPD(IG)'

## 7.11 DC ASSEMBLY RELAY DRIVES AND LOGIC

### 7.11.1 INTRODUCTION

(Circuit Diagrams 430536 page 115-3  
and 430668 page 7-23).

The analog circuitry is mainly controlled by low-thermal relays, many contacts being fitted back-to-back to further reduce temperature effects. For the fastest response, the output relay RL15 is not latched, but can trip out quickly if the power supply fails, removing any output voltage from the terminals.

The rest of the relays are latched, allowing hold-on without power, to reduce the internal temperature at their contacts. As they are polarized they require a bipolar actuating drive, which is provided by 'Tristate' relay drivers and a bias amplifier.

#### 7.11.1.1 Latched Bistable Relays

(Circuit Diagram 430536 page 115-3).

As can be seen from the circuit diagram on page 115-3, the relays are strung out between the output of their bias amplifier (-7.5V approx. at M1-2) and the drive outputs from the Clamp assembly.

The bias amplifier M1 is a frequency-compensated voltage follower, buffering the tapping of attenuator R4/R5, to hold one side of each relay permanently at -7.5V. The relay drivers on the Clamp assembly can provide outputs at 0V or -15V when enabled by the  $\overline{\text{UPD}}(\overline{\text{IG}})$  pulse, but return to tristate when disabled. A relay is therefore driven to one or the other of its bistable states during update, then latched in the chosen state when the driver output returns to open-circuit.

All the latched relays operate in the same polarity sense: when its driver output updates at logic-1 (0V), the relay latches to select its nominal function; for a logic-0 (-15V) update, the function is deselected. In the analog circuit diagrams, the relay contacts are shown in their deselected state, equivalent to the un-energized state of a conventional non-latching relay. For consistency, in the analog descriptions relays are referred to as being 'energized' or 'unenergized'.

#### 7.11.1.2 'Tristate' Relay Drivers

(Circuit Diagram 430668 page 7-23).

The relay drivers (M1, M2, M3 on the Clamp assembly) are octal 'Tristate' buffers. Each chip is served by two inverted enable inputs on pins 1 and 19 (four buffers - half the chip - per enabling input).

Whenever a switching command has been received, the CPU performs a control data transfer and the  $\overline{\text{UPD}}(\overline{\text{IG}})$  line from J5-104 is pulsed to -15V for 50ms.

The switching logic places a logic-1 (0V) on the input of selected drivers, and logic-0 (-15V) on those whose function is not selected. Because all the buffers are non-inverting, during the update pulse a driver selects its function by setting its output voltage to 0V, or deselected by pulling its output voltage to -15V.

### 7.11.2 CLAMP ASSEMBLY

(Circuit Diagrams 430536 page 115-3  
and 430668 page 7-23).

On the DC Relay Drive Logic circuit diagram (page 115-3) the Clamp assembly is shown in block form. Also, the pcb pin numbers correspond to the pin numbers of the buffer chips: J7, J8 and J9 being the connections to M1, M2 and M3 respectively. For signals crossing the block from left to right, the output of each non-inverting buffer is drawn opposite its input, so the function remains unchanged as it crosses the block. As a further aid to identification, the pins of any one buffer are numbered so that the input and output numbers add up to 20.

#### 7.11.2.1 $\overline{\text{UPD}}(\overline{\text{IG}})$ Distribution

As the  $\overline{\text{UPD}}(\overline{\text{IG}})$  signal is distributed as the enable to many buffers, it is itself buffered before being fanned out. So the four  $\overline{\text{UPD}}(\overline{\text{IG}})$  connections at the top of the block are inputs to four buffers (M1) which are permanently enabled by J7-19 at -15V. The outputs of two of these buffers are brought out to J7-5 and J7-7 which are not connected (and not shown on the circuit diagram).

The input at J7-11 emerges from the Clamp assembly at J7-9 to operate the driver for the non-latching relay RL15 (at M2-6). The fourth input at J7-17 emerges at J7-3, and is reconnected as the fanned-out enable to the other buffers on the assembly (see Fig. 7.4).

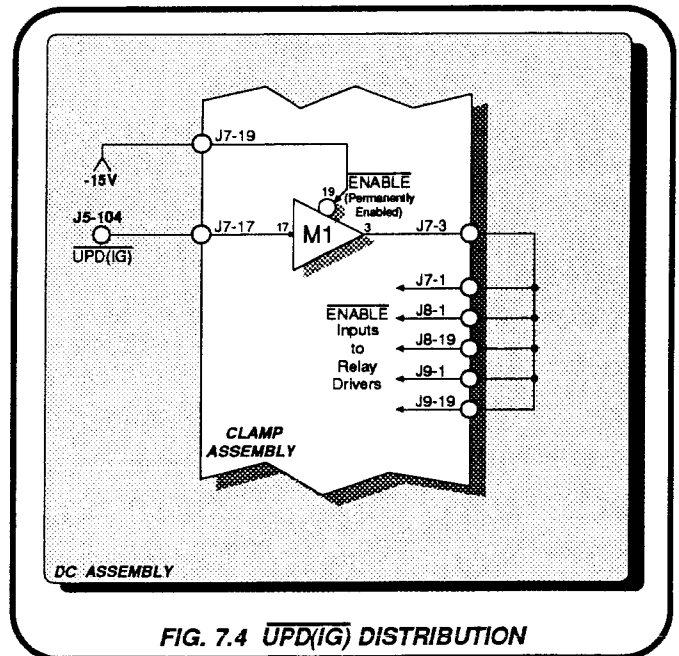


FIG. 7.4  $\overline{\text{UPD}}(\overline{\text{IG}})$  DISTRIBUTION

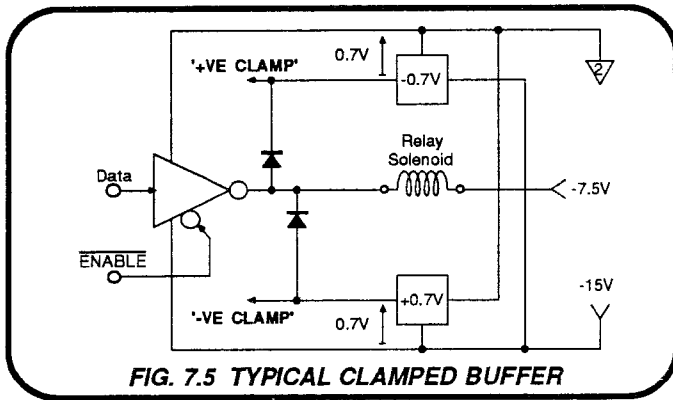
### 7.11.2.2 Buffer Clamping

(Circuit Diagram 430668 page 7-23).

The 40244 octal buffer can be sourced from several manufacturers. Some variants are protected against SCR avalanche if the output voltage were to exceed the rail voltage, but some are not. Each buffer drives its output into the solenoid of a relay, and is switched on and off by the update enable. The self-inductance of the solenoid can generate back EMF's well in excess of the rail voltage, so to guard against the possibility of catastrophic failure, it was decided to provide external protection in the form of a clamp circuit.

On the Clamp assembly Q1-Q4 form two power supplies, each delivering a regulated voltage of a diode-drop less than the rail voltage ('+VE CLAMP' and '-VE CLAMP'). A diode connected from the buffer output to each of the clamp lines permits the output voltage to rise to, but not exceed, the rail voltage (see Fig. 7.5).

Where two buffers are used in parallel to drive two relays, the clamp diodes can be omitted from one buffer output (eg. M2-9 and M2-7 are joined on the DC assembly between J8-9 and J8-7, so both are clamped).



### 7.11.3 DC ASSEMBLY SWITCHING LOGIC

(Circuit Diagram 430536 page 11.5-3).

The analog-control signals are transferred into guard on the Reference Divider assembly, and latched as 'Q' outputs in the Serial/Parallel Data Converter. Offset positive logic is employed (Logic-0 = -15V, Logic-1 = 0V) for the signals entering the DC assembly via J5 from the Mother assembly. For general analog control considerations refer to Sect. 7.10.

#### 7.11.3.1 Range Switching Logic

Range control data is input as a 3-bit code on DCR0, DCR1 and DCR2 lines. The bit-pattern is decoded by M4 to select the correct range relays. As the 100µV, 1mV, 10mV and 100mV ranges all use the same analog circuitry, only one bit-combination (DCR2) is required for these four ranges. The resulting five combination variations are listed in Table 4.1 against the range selections, showing the states of M6 'Q' output pins and the relays energized for each range.

Note that deselection of DC function sets each DCR(2-0) to logic-1. The M6 'Q' outputs all fall to logic-0, deselection of all range relays except RL1, RL2, RL3 and RL16, which are selected by DCR2 being at logic-1.

#### 7.11.3.2 Function and Output Switching Logic

Output voltages are passed through the DC assembly on all AC and DC ranges. RL15 connects the SHi, SLo, PHi and PLo to the Hi, Lo, I+ and I- terminals of the instrument. Four signals control this relay:

- OFF at logic-0 when Output is selected ON.
- BARK DEL at logic-0 unless the watchdog has tripped.
- AC FUNCT at logic-0 if AC Function is selected, or
- DC FUNCT at logic-1 if DC Function is selected.

Under these conditions M4 pins 1 and 2 are set to logic-1, M4-9 is at logic-0; M4 pins 3, 4 and 5 are at logic-0, M4-6 is at logic-1. So M2-2 is driven positive, and as M2-3 is biased at about -4.75V, then M2-1 goes to approx. -12V. During the update pulse J7-9 goes to -15V, so M2-7 goes to +15V. RL15 is thus actuated by some 27V, but after the UPD(IG) pulse is terminated, M2-7 returns to 0V and RL15 is held on. If AC and DC are both deselected, or if the output is set to OFF, or if the Watchdog barks; the -12V at M2-1 reverts to approx. +11.5V. If the UPD(IG) pulse is not present, the voltage across RL15 falls through zero and RL15 is de-energized. If it is present, only approx. 4.5V is connected across RL15, which is insufficient to hold the relay on. Under these conditions the instrument terminals are disconnected from the output.

Relays RL10 and RL18 are selected when DC voltage has been commanded, providing that the Watchdog has not barked. With DC FNCT at logic-1, M4-11/13 are at logic-0. If the Watchdog has not barked then BARK DEL is logic-0 at M14-12. As a result of both these conditions, M4-10 is at logic-1 and both relays RL10 and RL18 are selected. RL10 connects the PHI(DCV) and SHI(DCV) line to the PHI(V) and SHI(V) lines respectively, RL18 connects the DC Ref output from the Reference Divider to the DC Error Amplifier input.

Relay RL11 connects the power and sense Lo lines back to their respective commons. Thus when RL10 and RL18 are selected for DC voltage outputs, so is RL11. But in Current Function it is also required to tie the Local Guard to Common-2. This also is done by selecting RL11. With Current Function selected, the IFNCT signal is at logic-0 so M3-13 is at logic-1 and RL11 is selected.

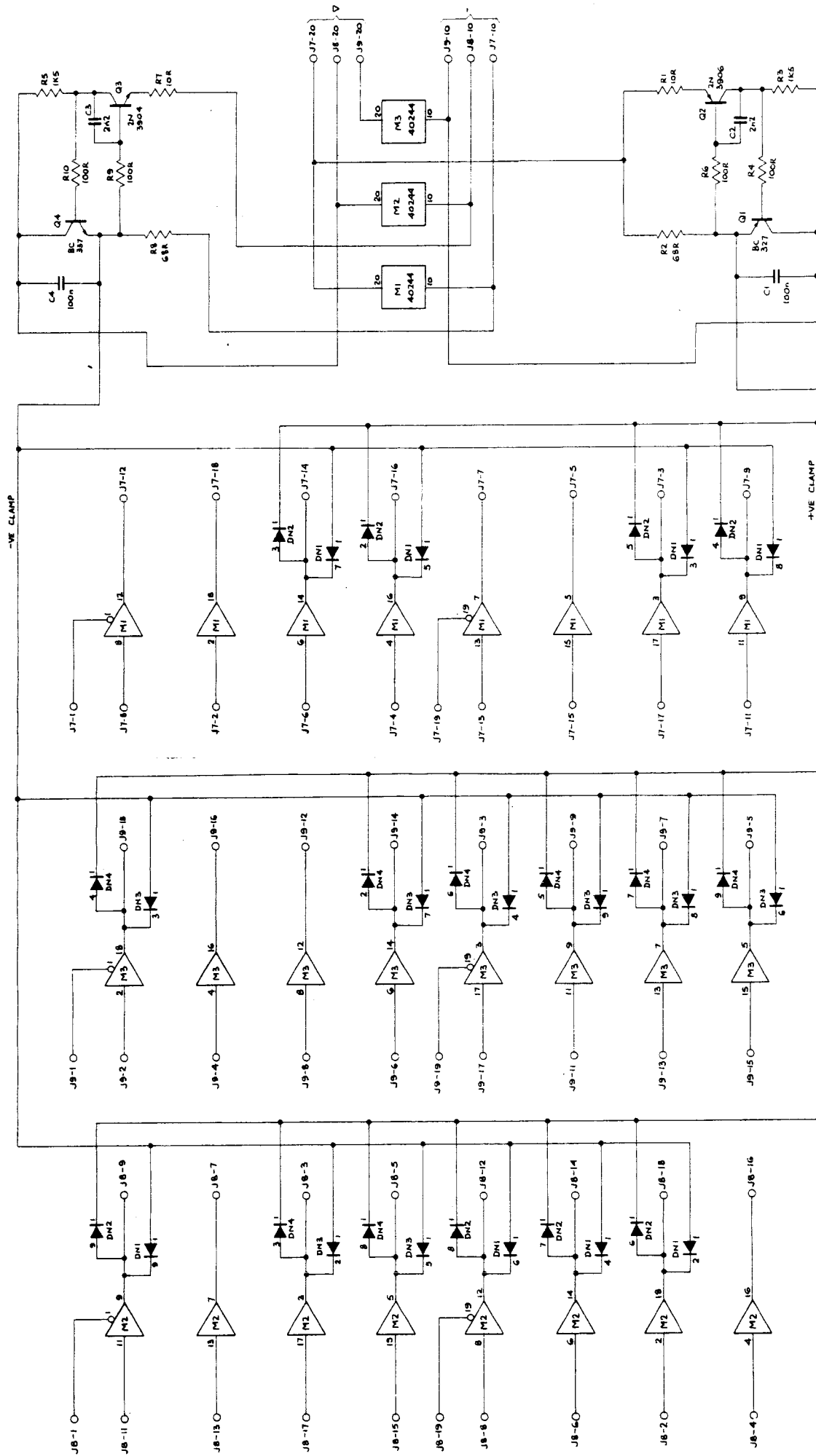
The Remote Sense Relay RL14 is also selected by the IFNCT signal, as well as by the front panel selection of remote sense. These are combined at OR-gate M10-3, before selecting RL14 directly via its buffer. RL14 removes the local sense short between the power and sense lines at both Hi and Lo signal levels. For Current Function this has negligible effect on the DC assembly, but the REM SENSE '+' and '-' signals are also passed out to RL1 on the Mother assembly (page 11.16-1). Although remote sense is not selectable for DC or AC Current ranges, it is necessary to route the current output to the I+ and I- terminals on the front panel. RL1 on the Mother assembly is energized to do this. (For Local Sense on voltage ranges, RL1 routes the power Hi line to the Hi terminal instead of I+).

REM GU selects the Remote Guard relay RL17 via its buffer.

The HIGH LIMIT and AC 1kV RANGE signals are concerned with the AC 1kV Overcurrent Detector circuit. The signals operate their relays RL12 and RL13 directly through their buffers. Section 9 discusses their effects. The effects of control signals '1kVDC', '100VDC', 'DC FNCT' and 'POSITIVE' are discussed in the descriptions of the analog circuitry at their destinations.



DN1 AND DN3 ARE CA-IN414B  
 DN2 AND DN4 ARE CC-IN414B



DC CLAMP CIRCUIT Drawing 430668

## 7.12 PA ASSEMBLY LOGIC AND RELAY DRIVES

(Circuit Diagrams 430618 Pages 11.9-4 and 11.9-5)

The CMOS logic operates between the levels 0V and -15V, with logic-1 = 0V, and logic-0 = -15V. Relays are tied to +15V on one side, and controlled on the other by the uncommitted collector of an inverting Darlington driver. Thus when the input to the driver is logic-1, the relay is energized by 15V; and when the driver input is logic-0, its output is high impedance, releasing the relay.

### 7.12.1 DC RANGE SWITCHING

(Page 11.9-5)

The three inputs DCR0, DCR1 and DCR2 carry the DC range switching information, and are decoded by M7a as follows:

Range Select	M7a inputs			M7a outputs		
	E	B	A	Q2	Q1	Q0
	DCR2	DCR1	DCR0			
1000V	0	0	0	0	0	1
100V	0	0	1	0	1	0
10V	0	1	0	1	0	0
1V	0	1	1	0	0	0
100mV	1	0	0	0	0	0
10mV	1	0	0	0	0	0
1mV	1	0	0	0	0	0
100µV	1	0	0	0	0	0
Deselect DC	1	1	1	0	0	0

### 7.12.2 AC RANGE SWITCHING

(Page 11.9-5)

The three inputs ACR0, ACR1 and ACR2 carry the AC range switching information, and are decoded by M7b as follows:

Range Select	M7b inputs			M7b outputs		
	E	B	A	Q2	Q1	Q0
	ACR2	ACR1	ACR0			
1000V	0	0	0	0	0	1
100V	0	0	1	0	1	0
10V	0	1	0	1	0	0
1V	0	1	1	0	0	0
100mV	1	0	0	0	0	0
10mV	1	0	1	0	0	0
1mV	1	1	0	0	0	0

### 7.12.3 FUNCTION AND RANGING LOGIC

#### DCV Logic

When un-energized, relay RL4 selects the DC ERROR signal in preference to the AC 1V signal, as input to the Power Amplifier when DC Voltage function is selected. When un-energized, Relay RL8 reduces the permissible overload on the output of the 10V Amplifier, also when DC Voltage is selected.

When 'DC' is selected on the front panel, both DC FNCT (J9-70) and  $\overline{\text{I FNCT}}$  (J9-72) signals are at logic-1. Under these conditions both inputs to NAND M6-12/13 are at logic-1, so M6-11 is at logic-0 and both relays RL4 and RL8 are un-energized. For all other function selections DC FNCT is at logic-0, so M6-11 is at logic-1 to energize both relays.

#### AC & DC 10V Range Logic

On the DC 10V Range only, the input to M6-1 is logic-0; and on the AC 10V Range only, the input to M6-2 is logic-0. Logic-1 occurs at M6-3 to operate relay RL3 only when either the AC or DC 10V range is commanded.

#### AC & DC 100V Range Logic

The input to Q12-8 is logic-1 only when the DC 100V range is selected, and the input to Q12-9 is logic-1 only on the AC 100V range. Either input gives logic-1 at M12-10, so relay RL2 operates only when either the AC or DC 100V range is commanded.

#### AC 100V Range Logic

A '100V AC' signal is also passed to activate the 100V Current Sense circuit (see page 11.9-6), only on the AC 100V Range.

#### DC 100V Range Logic

The decoded DC 100V Range signal at M7a-5 is also connected to the cathode of D31. On other ranges the diode conducts to pull the DC INPUT CLAMP signal to logic-0 (Off), but on the DC 100V Range D31 releases the line so that the PA CLAMP ON signal can set it to logic-1 (On).

#### AC & DC 1000V Range Logic

The 1kV signal enters the Power Amplifier at J9-32. It is at logic-0 only when AC or DC 1000V Range is commanded by the CPU, with the OUTPUT set ON. 'BARK' enters at J9-66, and is at logic-0 only if the watchdog has not detected a failure (see Sect. 6). With both inputs to M4-8/9 at logic-0 the output at M4-10 is logic-1 which lights the internal warning LED D70. Relay RL6 is energized if the internal 1kV ENABLE switch on the PA assembly is set to its normal operating position of ENABLE. This allows the AC drive to be passed to the step-up transformers (16kHz signal in the case of the DC 1kV Range, to the HF transformer).

For other ranges, or if the watchdog barks, RL6 is de-energized, removing the AC drive to the step-up transformers. LED D70 is also de-energized.

#### AC 1000V Range Logic

The input to M13-3 is logic-1 to energize relay RL1 only when the AC 1000V range is commanded. A 'AC 1kV RANGE' signal is also passed to the DC assembly to select the overload sense resistor.

#### DC 1000V Range Logic

Although the combination of the universal 1kV Range signal and the AC 1kV signal is used to define the DC 1kV circuitry, two extra facilities are required for the DC 1kV Range. The 16kHz REF FREQ signal has to be switched to the DC modulator. For negative outputs on the 100V Range the 100V Amplifier positive rail is reduced to +38V instead of the +400V supply, so this has to be restored to +400V for the AC signals on the 1kV Range. For these applications the decoded DC 1kV Range signal at M7a-4 is used as input to M4-6 and M6-6.

The REF FREQ signal enters at J9-61 and is enabled at M6-5 by the 1kV Range decode on M6-6. Provided that the PA CLAMP ON signal is Off (ie. at logic-Ø), the 16kHz 'MOD DRIVE' signal is passed to the 1kV DC Modulator (*see page 11.9-2*).

The POSITIVE signal entering at J9-41 is input to M4-5 and the 1kV Range decode is input to M4-6. If a negative output on the 100V Range is commanded, then both inputs are at logic-Ø. The output at M4-4 is logic-1 and M15 causes the LED in M16 to conduct by pulling M16-3 to logic-Ø. The photo-transistor of M16 conducts (*see page 11.9-3*), placing a short circuit between the source and gate of Q20, which turns off the +400V supply to the 100V Amplifier driver stage. Q9 conduction causes D56 to conduct, so for negative outputs on the 100V Range the positive rail for the driver is sourced from the +38V supply.

On the DC 1kV Range the +400V supply is required to deal with the AC signal being amplified, so M4-6 at logic-1 inhibits the disabling photo-coupler; M13-15 being open-collector. The same inhibition results for positive outputs on the DC 100V Range (when the +400V is needed to power the driver stage) by M4-5 at logic-1.

#### 7.12.4 'PA CLAMP ON' SIGNAL

PA CLAMP ON is applied before the 1kV DC control loop is broken by the 1kV line, and released when the loop is restored. It is also required on entry into and exit from the 100V DC Range. Other ranges are 'don't care' states.

##### 7.12.4.1 DC 1000V Range Clamp

When the DC 1000V Range is selected, but Output is set Off, the drive is removed from the input to the step-up transformer. The High Voltage assembly polarity relay RL5, in the positive position, connects -38V to the base of the Constant Current chain at Pin 2. The other end of the chain is connected, via the instrument output lines, to the head of the 1kV sense attenuator on the DC assembly. The attenuator output is fed to the inverting input of the Error Amplifier.

Under these conditions, the Error Amplifier 'sees' a negative voltage at the Output terminals, and would drive heavily into saturation on its positive side to correct the output. This would occur regardless of the size of the positive DC Ref voltage being applied on its non-inverting input. When the positive Output was reset to On, the power circuitry could generate a massive swing which would result in catastrophic failure. A similar (but polarity-reversed) effect could be present for negative DC Output selections.

This excess loop gain is removed by reversing the position of the polarity switch during the time that the output is turned off, so that the Error Amplifier sees a positive voltage and backs off toward zero. The logic to reverse the polarity is driven by the PA CLAMP ON and POSITIVE signals, employing an exclusive-NOR gate.

In the High Voltage assembly, M2-4 feeds the driver for the polarity changeover relay RL5. The inputs at M4-5 and M4-6 are POSITIVE and PA CLAMP ON respectively.

The required reversal conditions are satisfied as shown:

Selected Commands	'POSITIVE'	PA CLAMP ON	M2-4 State	RL5 State	Nominal Output Polarity
·VE·O/P ON	Ø	Ø	1	Energized	-ve
·VE·O/P OFF	Ø	1	Ø	Un-energized	+ve
+VE·O/P ON	1	Ø	Ø	Un-energized	+ve
+VE·O/P OFF	1	1	1	Energized	-ve

The PA CLAMP ON signal at logic-1 also disables the 16kHz MOD DRIVE signal to the DC Modulator.

#### 7.12.5 '400V ENABLE' LOGIC

The '400V(2) OFF' signal from the CPU is normally at logic-Ø for voltage ranges; but after a 'FAIL 7' message indicates a 400V supply failure, it is toggled three times, attempting to restore the supply.

Thus in normal operation, BARK is logic-Ø and the PSI OFF signal from M11-4, also logic-Ø, is input to M1-1/6 (*page 11.9-4*). M1 consists of six inverting drivers, each with uncommitted-collector output (as used for the relay drivers). M1-1 at logic-Ø allows M1-2 to be pulled to logic-1 by AN1-1/2, or to logic-Ø by M1-14. In the lower chain with four inversions, M1-14 is also open-collector, if a 400V or 15V failure has not been detected by the monitors.

Thus for normal operation M1-2 is pulled to logic-1 and the 'ENABLE 400V-' line from M1-15 is held at logic-Ø (-15V). With the 'ENABLE 400V+' line it energizes the opto-isolator LEDs in the 400V power supply (PS/I heatsink *page 11.13-3*).

A failure of either the 400V or 15V supply pulls M1-3 to logic-1, disabling the 400V supply by setting the ENABLE 400V- line to logic-1. If the +15V or -15V rail collapses, the opto-isolator current is cut off in any case, due to zener D24.

#### 7.12.6 'BIAS OFF' LOGIC

On the 100V or 1000V ranges, after receiving a 400V FAIL signal from the monitor, the CPU attempts three times to restore the 400V supply. The foldback current limiting for the supply (in the PS/I heatsink) prevents reinstatement if an overload persists. Thus it is necessary to remove the overload if the supply is to be restored. This is done by setting the BIAS OFF line to logic-Ø (-15V), cutting off Q10 (*page 11.9-3*) and removing the output drive.

The three attempts are made by toggling the 400V(2) OFF line (described in *sub-section 7.12.5*). Each time the supply is enabled, R6 and C1 hold the BIAS OFF signal at logic-Ø for about 1ms to allow the supply to build up before the load is reapplied.

After three unsuccessful attempts, the CPU assumes a permanent hardware fault and holds the 400V(2) OFF signal at logic-1.

## 7.12.7 'LIM ST' LOGIC

This status signal is passed back to the CPU via the SSDA serial link to indicate that certain limits have been exceeded. The  $\overline{\text{LIM ST}}$  signal entering the Reference Divider at J4-76 (page 11.4.4) can be activated to logic-0 by any one of nine detectors, as illustrated in the simplified diagram of Fig. 7.6.

### 7.12.7.1 'LIM DET'

The  $\overline{\text{LIM DET}}$  signal output from the Power Amplifier at J9-67 (page 11.9-5) can result from the LIM DET signal setting the latch M5a. LIM DET is associated with the high voltage ranges, and can be activated by:

- **DC Assembly** (page 11.5-1/2)  
AC 1kV Overcurrent Detector,  
DC Overcurrent Detector (100V & 1000V DC ranges);
- **High Voltage Assembly (Constant Current Source)**  
DC 1kV Overvoltage Detector;
- **Power Amplifier Assembly**  
AC 100V Overcurrent Detector,  
AC 1000V Overvoltage Detector.  
(These two combine to generate the  $\overline{100V \text{ FLAG}}$ , which is NORed with 'DC FNCT' before becoming LIM DET.)

$\overline{\text{NOT100V FLAG}}$  is initiated by the AC 100V Overload Detector or AC 1000V Overvoltage Detector (page 11.9-6), whenever the 400V supply current peaks are excessive, or the AC 1kV Range drive voltage to the primary of the step-up transformer is excessive.

The LIM DET logic-1 is immediately transferred via M12-3 as the signal I LIM 100V AMP to the gate of Q14 (page 11.9-3). Q14 conduction reduces the 100V amplifier input to zero, so if the overload is external the LIM DET signal should revert to logic-0.

### 7.12.7.2 'LIM ST' Generation

The latch M5a is set by logic-1 on pin 6, for as long as LIM DET remains at logic-1. Its 'Q' output activates the  $\overline{\text{LIM ST}}$  signal via M4-3, informing the CPU. It also reinforces and latches the 'LIM 100V AMP' signal.  $\overline{\text{LIM ST}}$  is also activated if the overload signal 10V FLAG from the 10V Amplifier is at logic-0 when in AC 10V Range.

Other detectors which can provide the  $\overline{\text{LIM ST}}$  signal are:

- **DC Assembly** (page 11.5-1/2)  
DC Overcurrent Detector (1V & 10V DC ranges);
- **Sine-Source Assembly (Constant Current Source)**  
AC 1V Buffer Overcurrent Detector;
- **Current/Ohms Assembly**  
DC and AC Current ranges Overvoltage Detector

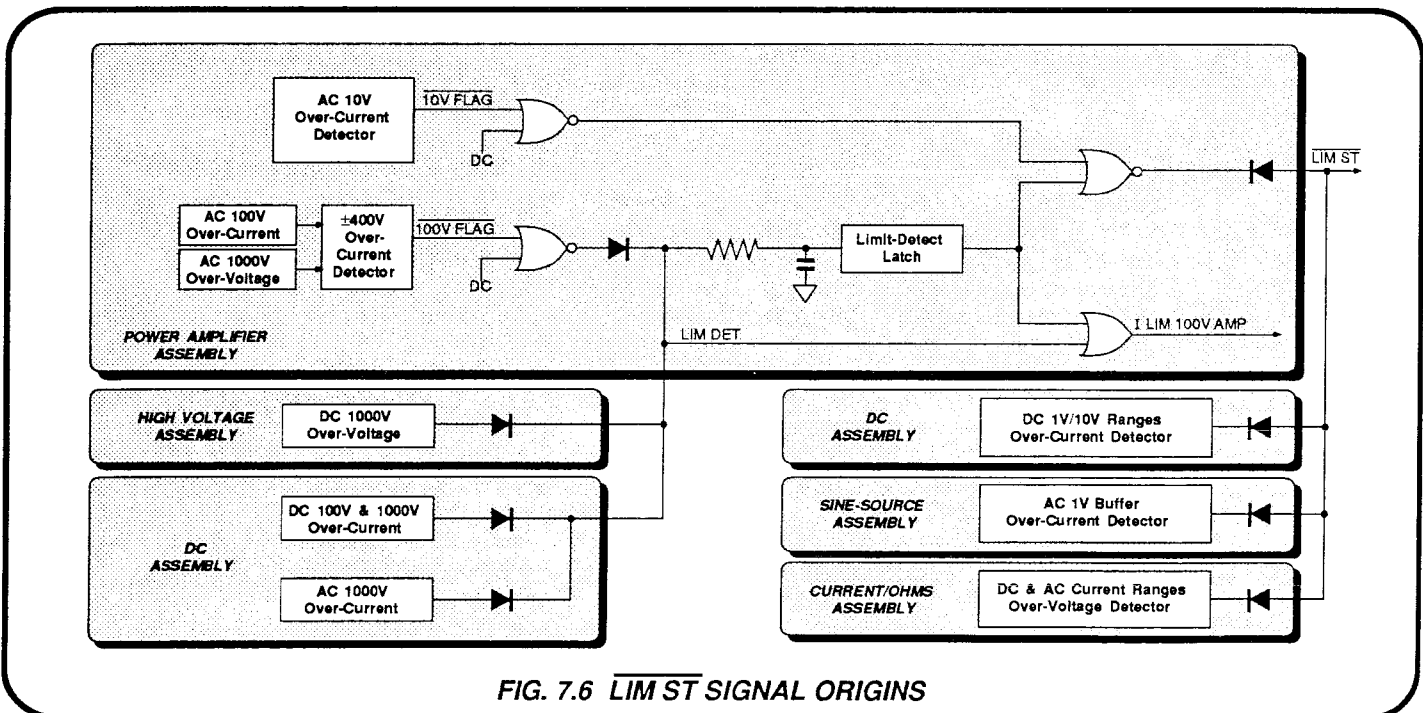


FIG. 7.6  $\overline{\text{LIM ST}}$  SIGNAL ORIGINS

### 7.12.7.3 CPU Response

On receipt of the  $\overline{\text{LIM ST}}$  signal, the CPU initiates a series of clock pulses on the 'LIM RST' line via the SSDA and Reference Divider, so that M5a can be reset as soon as the LIM DET signal clears to logic-0, M5a 'D' input being strapped to logic-0 (-15V). The CPU also displays the 'Error OL' message.

If the LIM DET line has cleared to logic-0, the 100V Amplifier input is reinstated by M5a being reset. Furthermore, if the overload was temporary, the LIM DET line remains at logic-0, and normal operation resumes. The CPU is informed by  $\overline{\text{LIM ST}}$  at logic-1, so the I LIM RST pulses are discontinued, and the Error message is removed.

For a persistent overload, the detectors operate once again. The cycle repeats until user action is taken to remove the overload. The Error message continues to be displayed.

If the overload is an internal fault, it is likely that another protection circuit will have detected it and taken its own action.

### 7.12.8 'LF', $\overline{\text{LF}}$ and '1kV GAIN'

These are signals used to control the gain and compensation of the AC 1kV amplifiers, (*Refer to section 9.?*).

The 'LF' signal is set to logic-1 by the CPU via the SSDA serial link and Reference Divider latches, when the AC 1000V range and the 100Hz or 1kHz frequency ranges are selected. It is inverted as  $\overline{\text{LF}}$  at M11-12, and then inverted as buffered 'LF' at M11-10.

'FREQ R0' is also CPU-controlled. It is set to logic-1 when either the 1kHz or 100kHz frequency range is selected.

$\overline{\text{LF}}$  and 'FREQ R0' are combined at M6-10 to give the '1kV GAIN' signal, which is at logic-0 only when the 100kHz range is selected. (The software prevents the 1MHz range being selected on the 1000V range).

### 7.12.9 THERMISTOR COMPARATOR

Two NTC thermistors situated in different positions on each PA heatsink are part of a bridge network which detects excessive temperatures on the heatsinks.  
(*Para 7.8.4.3 and pages 11.13-1/2 refer.*)

The reference arm of the bridge is formed by R165 and AN9-7/10 in parallel, both in series with AN9-6/11.

The sense arm has four parallel sections, each consisting of one section of AN9 in series with one of the NTC thermistors. Four null detectors are used (M22 and M23), each comparing the voltage at the reference arm junction with that at the junction of one of the sections (TEMP +R/-R/+F/-F).

At 25°C each thermistor resistance is 10kΩ. The bridge is unbalanced in favour of open-collector outputs from the four comparators, pulled up to Common-2 by AN2-3/4 and AN2-5/6. Q36 is therefore cut off, and the 'OVERTEMP' signal at J9-31 is at logic-0 (-15V).

If one of the chip temperatures exceeds 100°C, its thermistor resistance falls to the extent that the bias on its null detector is reversed. The null detector output is taken low to -15V, Q36 conducts and the OVERTEMP signal goes to logic-1.

The OVERTEMP status signal is passed to one of the Reference Divider status registers, (*page 11.4-4*), where for safety reasons it is pulled-up by a 1MΩ section of AN2. The CPU reacts to the logic-0 signal by displaying the 'FAIL 1' message, and forcing a recovery sequence:

#### OUTPUT OFF;

- Reference Divider ramp to zero;
- Remote Sense OFF;
- Analog Control 'OFF' bit set;
- Analog Control '1kV' line disabled;
- Display and Keyboard locked;

After approximately 1 minute, the CPU defaults the instrument to the normal 'OUTPUT OFF' state in the selected ranges with output set to zero. The FAIL 1 message is removed, and the user is at liberty to try another attempt.

Under normal power-up conditions, with the Power Amplifier assembly plugged in and Q36 cut off, AN2-7/8 holds the line more negative than -14V (logic-0). If the Power Amplifier is removed, no over-temperature information is available from the heatsinks. In this event, the OVERTEMP signal rises to logic-1, indicating failure.



# SECTION 8 AC VOLTAGE OUTPUTS - FREQUENCY CONTROL SYSTEM

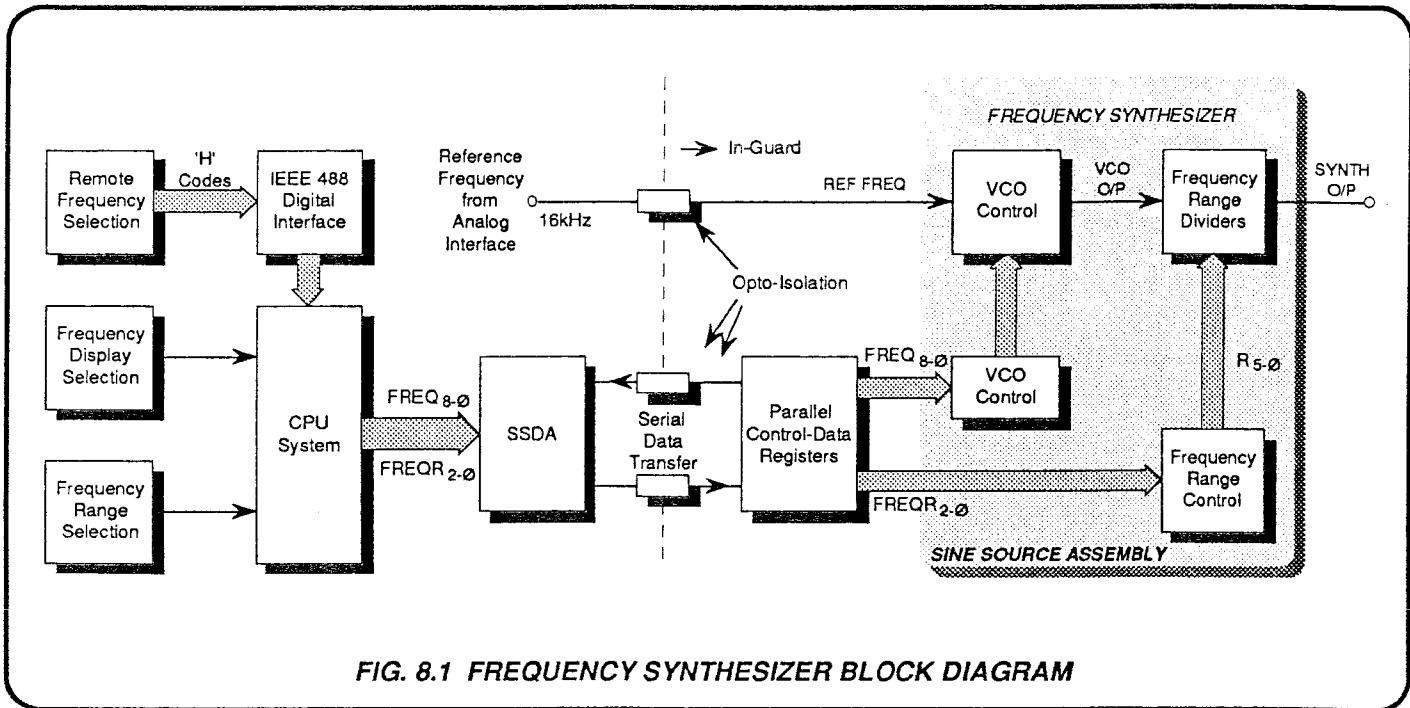


FIG. 8.1 FREQUENCY SYNTHESIZER BLOCK DIAGRAM

## 8.1 DIGITAL FREQUENCY SYNTHESIZER

(Fig. 8.1)

### 8.1.1 GENERAL

Users normally set the operating frequency by a combination of 'FREQUENCY RANGE' and 'FREQUENCY' display selections. These are memorized by the CPU and translated into two binary control words:

#### ' $FREQ_{2-\theta}$ '

A three-bit word, five of whose codes represent the five frequency ranges.

#### ' $FREQ_{8-\theta}$ '

A nine-bit word whose value 'n' defines the chosen frequency with respect to the selected frequency range.

Users can select a frequency by means other than pressing a FREQUENCY RANGE key and setting a frequency on the display; for example by using 'Store' or the IEEE 488 digital interface. But regardless of the selection method, the CPU will always compute the two binary words, which then synthesize the selected frequency in the Sine-Source Assembly.

Both words are passed into guard via the SSDA, and latched at the outputs of the Reference Divider Parallel Control registers. A 16kHz reference frequency is also taken into guard, to be divided by two to 8kHz in the Sine-Source assembly.

After entering the Sine-Source assembly,  $FREQ_{8-\theta}$  effectively multiplies the 8kHz reference by a factor 'n' to determine the frequency of a Voltage Controlled Oscillator (VCO). The VCO frequency (signal 'VCO O/P') is input into a series of frequency dividers, whose ratios are set by  $FREQ_{2-\theta}$ . The division ratios are chosen to make the dividers generate the Frequency Synthesizer output signal ('SYNTH O/P') at the user-selected frequency.

The purpose of the synthesizer is to provide an accurate frequency reference for the quadrature sinewave oscillator. The oscillator is approximately tuned by selection of circuit constants using the combination of ' $FREQ_{2-\theta}$ ' and ' $FREQ_{8-\theta}$ '.

'SYNTH O/P' acts as the reference in the phase comparator of a Phase-Locked Loop, controlling the frequency of the main Quadrature Sinewave Oscillator to an accuracy determined by the crystal oscillator.

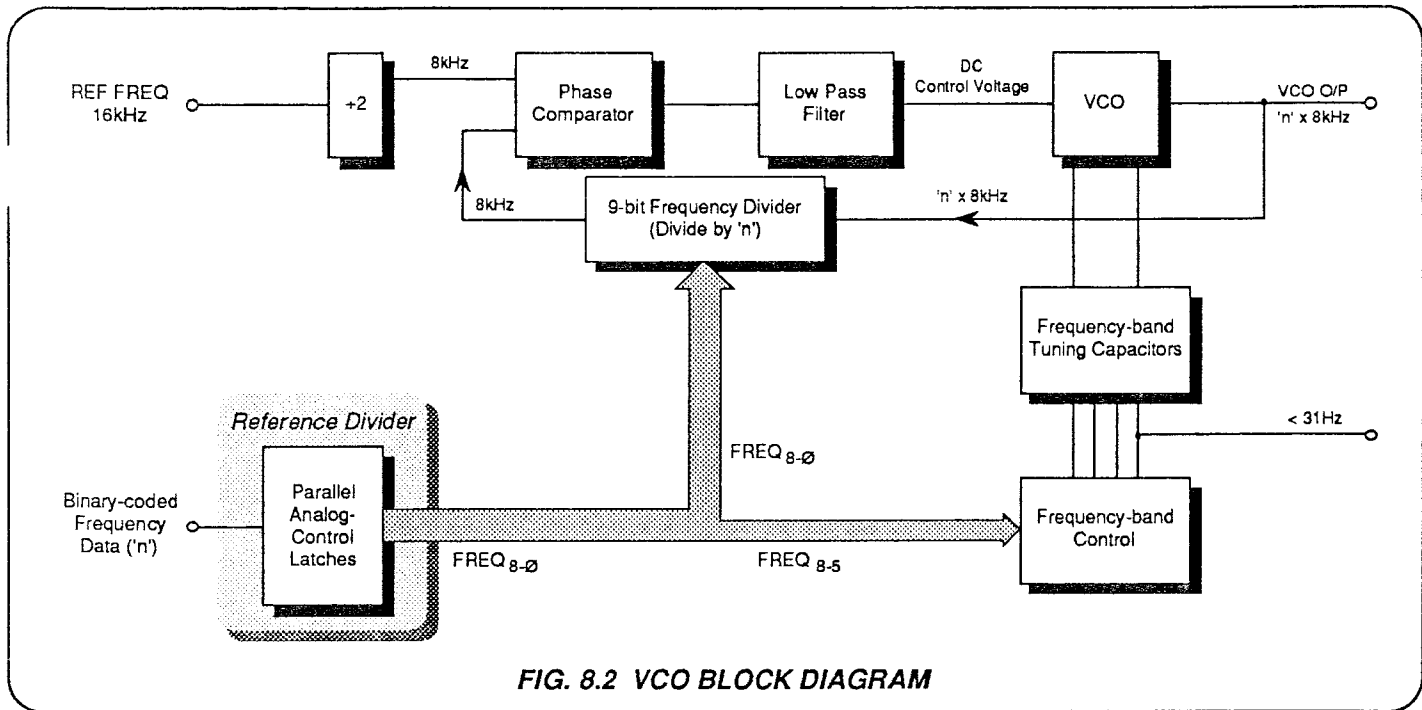


FIG. 8.2 VCO BLOCK DIAGRAM

### 8.1.2.1 Generation of 16kHz Reference

(Circuit Diagrams 430648 page 11.3-2, 430652 page 11.4-5 and 430446 page 11.6-4)

The 16kHz (INT) signal originates at M16-14 in the Analog Interface (page 11.3-2) and is buffered as '16kHz(OG)' (page 11.3-1). On the Reference Divider at J4-104, it passes into guard via opto-isolator M3 (page 11.4-5), gating with 'DISABLE REF FREQUENCY' and 'BARK' M24, filtered by R86/C38 to reduce harmonics from the transmission path, and is sent via the Mother Assembly to J6-53 on the Sine-Source Assembly (page 11.6-4).

Schmitt-trigger M14 inverts the 16kHz into an asymmetrical squarewave, which is then applied as clock to M13a, a bistable connected to divide by two. The resulting 8kHz squarewave is applied to the REF input of the phase comparator M12 as the reference frequency, and the divided VCO output signal is applied to M12 SIG input. This provides the correct sense for phase control of the VCO in the phase-locked loop.

### 8.1.2.2 Squarewave Generation by the VCO

The VCO is an integrated relaxation oscillator generating an output of frequency ' $n \times 8\text{kHz}$ '. Its natural frequency is dependent on:

- the value of capacitor C5 (or C5 plus one of C1 - C4),
- the value of its control voltage from the phase control element (phase comparator M12), and
- the value of the charging current for capacitors C1-C5, M11 pins 6-7 on alternate half cycles.

### 8.1.2.3 Coarse Frequency Control

(Circuit Diagram 430446 Page 11.6-4, and Fig. 8.2)

At any time, only one of the capacitors C1, C2, C3 and C4 can be connected in parallel with C5, by conduction of its associated JFET. This splits the frequency range of the VCO into five bands, governed by the four most-significant bits of the control word  $\text{FREQ}_{8-0}$  acting on M8. The association is shown in Table 8.1; note that the VCO frequency bands quoted in the table are correct only because the VCO is under the fine control of comparator M12, within the phase-locked loop.



FREQ <sub>9-5</sub> bits				Range of 'n' Values	M8 Outputs at Logic-1	C1-C5 Selection	VCO Frequency Band (kHz)
8	7	6	5				
0	0	0	0	10 to 31	X <sub>0</sub>	C5 and C4	80 to 248
0	0	0	1	32 to 63	X <sub>1</sub>	C5 and C3	256 to 504
0	0	1	X	64 to 127	X <sub>3,2</sub>	C5 and C2	512 to 1016
0	1	X	X	128 to 255	X <sub>7,4</sub>	C5 and C1	1024 to 2040
1	X	X	X	256 to 500	NONE	C5 only	2048 to 4000

**TABLE 8.1 COARSE FREQUENCY CONTROL**

### 8.1.2.4 Fine Frequency Control

(Circuit Diagram 430446 Page 11.6-4, and Fig. 8.2)

In the following description, capacitors C1, C2, C3 and C4 are ignored, but references to C5 should be read as including the appropriate additional capacitor.

The VCO output is fed back to M12 phase comparator via M9 and M13b, which are connected to act as a 9-bit frequency divider. Because the divider is controlled by FREQ<sub>9-5</sub>, the VCO output frequency is always divided by 'n' before being applied to the SIG input of the comparator. The output from the comparator will only be zero if the frequency fed back to M12-3 is 8kHz (ie. VCO frequency is n x 8kHz), and in phase with the 8kHz REF FREQ at M12-6.

The output from M12 is the control voltage, fed to the VCO M11.

The phase control loop seeks to phase-lock the two inputs to the comparator. If they are in phase, the comparator output is at high impedance ('TRISTATE'). In this condition the filter capacitor C14 has no charge or discharge path, so the extremely high gain of the PLL maintains its charge, and thus the voltage at TP6. So the frequency of VCO oscillation remains constant. Thus the loop stabilizes only when the frequency divided by 'n' from the VCO output is in phase with (and therefore at the same frequency as) the reference 8kHz.

In stable operation, therefore, the loop maintains VCO oscillations at n x 8kHz, and the feedback dividers reduce this frequency by a factor of 'n' to 8kHz.

Any disturbance in the loop will generate corrections to restore zero phase difference at the inputs of M12. Frequency deviations are therefore detected at an early stage as phase changes, giving a measure of 'phase advance' correction.

### 8.1.2.5 'INHIBIT' (VCO Off)

The VCO can be switched off by a logic-1 of 0V at M11 pin 5 (INHIBIT signal). This originates in the CPU system, setting FREQ<sub>9-5</sub> code to 111 (a non-existent 'R7' range) when AC functions are deselected. It also resets the +2 flip-flop M13a, so that no reference frequency is passed into the phase comparator.

### 8.1.2.6 VCO Supply Rail Protection

To prevent VCO oscillations appearing on the 15V power rails, the positive rail is heavily decoupled. M50 and M51 provide separate voltage regulation for circuits which are sensitive to the 8kHz reference frequency, thus increasing decoupling at this frequency.

### 8.1.2.7 VCO Output

The VCO and M12 operate from the +15V/0V supplies. M13, M9 and the frequency dividers which follow the VCO, all operate from the in-guard logic 0V/-15V supplies. The VCO output is therefore level-shifted to logic supply levels by Q5, Q6 and Q7. A re-conversion back to 5V levels is accomplished at the input to the phase comparator M12.

D43 also shifts the level of the INHIBIT signal at M11-5 to match the M11 supply levels. D44 limits the maximum negative excursion of M11-5 to one diode drop.

The n x 8kHz 'VCO OUT' output signal from M11 is inverted and level-shifted by Q5, Q6 and Q7 to match the phase and voltage requirements of the frequency divider M9. It is also fed as 'VCO O/P' to the frequency dividers at M5-9 (page 11.6-5).

### 8.1.3 FREQUENCY RANGE DIVIDERS

(Fig 8.3)

As mentioned earlier in para 8.1.1, the purpose of the synthesizer is to provide an accurate frequency reference for the quadrature sine wave oscillator. The VCO frequency (signal 'VCO O/P') is input to a series of frequency dividers, whose ratios are set by 'FREQ R<sub>2-5</sub>', to make the dividers generate the selected frequency as 'SYNTH O/P'. FREQ R<sub>2-5</sub> is a three-bit word, five of whose codes represent the five frequency ranges.

A second purpose is to clock the Quasi-Sine wave Generator in synchronism with the synthesizer output (and hence with the main quadrature sine wave oscillator output). The synthesizer frequency is a multiple of the Quasi-Sine frequency, except on the 100Hz frequency range, where they are both at the same frequency. Thus the divider ratios are also chosen to generate the correct frequencies for the quasi-sine wave clock, for each frequency range selected.

#### 8.1.3.1 Divider Ratios

(Circuit Diagram 430446 Page 11.6-5)

Binary/BCD Divider M5 is set for binary division by fixing M5-2 and M5-10 at Logic-0. Conversely, M1 is set for decimal division by fixing M1-2 and M1-10 at Logic-1.

BCD counter M2 is set to count up, by fixing M2-10 at Logic-1. Its  $\overline{\text{CARRY OUT}}$  signal at M2-7 is at 1/10 of its clock frequency, and its Q1 output on M2-6 is at half its clock frequency. Flip-flop M4a is connected to divide its clocks by two.

Multiplexer M6 selects the appropriate source frequency to clock the Quasi-Sine wave generator. In particular, on the 100Hz Range it selects the  $\overline{\text{CARRY OUT}}$  from M2, which is then divided by 10 in the quasi-sine wave counter, and returned via J6-51 to be used as SYNTH O/P.

**8.1.3.2 Ratio Selection by Frequency Range**  
(Fig. 8.3 and Table 8.2)

The frequency range selection word  $FREQ R_{2-0}$  is decoded by M29 into five range lines  $R_{4-0}$ . These lines perform the following functions:

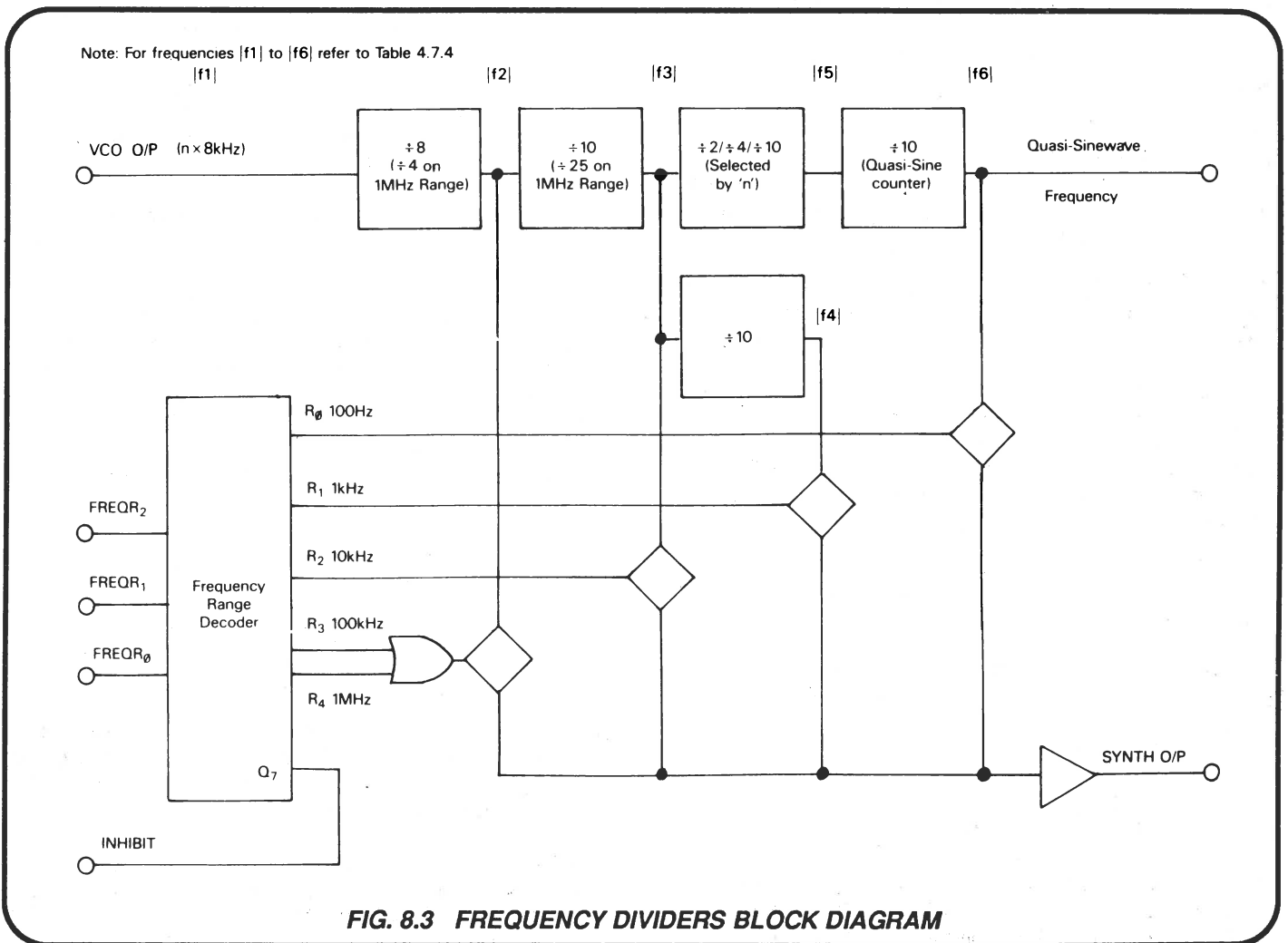
- a. Switch ranges in the quadrature sinewave oscillator by relays RL1-RL8 selection of integrator capacitors (page 11.6-1);
- b. Switch ranges in the Cosine Squarer output filter (page 11.6-2);
- c. Adjust the division ratios of Frequency Range Dividers M5 and M1 (page 11.6-5) for range  $R_4$  (1MHz Range),
- d. Select appropriate outputs from the Frequency Range Dividers (page 11.6-5); and
- e. The INHIBIT line turns off the VCO for non-AC functions.

Functions (a) and (b) are described later in Section 8.2. In this description we are concerned mainly with functions (c) and (d).

Table 8.2 shows how frequency range switching derives the synthesizer output frequencies by selecting the appropriate outputs from the dividers. Note that except for the 1MHz Range  $R_4$ , the ratios of individual dividers are not altered.

On the 100Hz Range  $R_0$  the overall division ratio of 8000 is achieved as for the 1kHz Range, but with a further division by 10 in the quasi-sinewave counter M11 on the AC Assembly.

On the 1MHz Range,  $R_4$ , the division ratio of M5 is changed from 8 to 4. The  $DP_A$  inputs M5-5 and M5-6 are primed to Logic-1 and Logic-0 respectively, whereas on all other ranges the priming is reversed. Range  $R_4$  also alters the division ratio of M1 from 10 to 25, by changing its priming bit-pattern, to correct the quasi-sinewave frequency; but as the synthesizer output is taken through M10-4/3 from M5 output, the adjustment to M1 does not affect the SYNTH O/P frequency.



**FIG. 8.3 FREQUENCY DIVIDERS BLOCK DIAGRAM**

**Model 4708 -  
Calibration and Servicing Handbook Vol. 1  
Part No: 850246 Issue: 1**

**Instrument Serial Number**

24029-6

**These advice sheets apply only to the instrument whose serial number is given above.**

**Introduction**

**AC Outputs - Improvement to Frequency Control System**

In **Section 8**, Sub-section 8.1 deals with the Digital Frequency Synthesizer. Paras 8.1.2 on pages 8-1 to 8-3 describe the operation of the Voltage Controlled Oscillator.

This addendum changes paras 8.1.2, dealing with the introduction of an integrated VCO chip to replace the discrete VCO previously used, and modifications to the associated circuitry.

This upgrade improves the reliability and maintainability of the Digital Frequency Synthesizer by reducing the critical component count and easing fault diagnosis.

Contract No. F33659-90-C0065 specifies AC voltage (Option 20) and AC Current (Option 30) functions only. Therefore this addendum is pertinent to the contract

**The above minor changes are detailed below.**

**Amendments to Section 8**

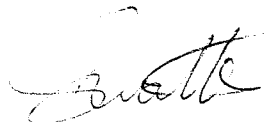
**Pages 8-1, 8-2 and 8-3:**

Delete the existing pages and substitute the new pages 8-1, 8-2 and 8-3 attached.

**Amendments to the Contents and Illustrations List**

No changes are required.

Checked by:



Date:

22nd May 92



## SECTION 8 AC VOLTAGE OUTPUTS - FREQUENCY CONTROL SYSTEM

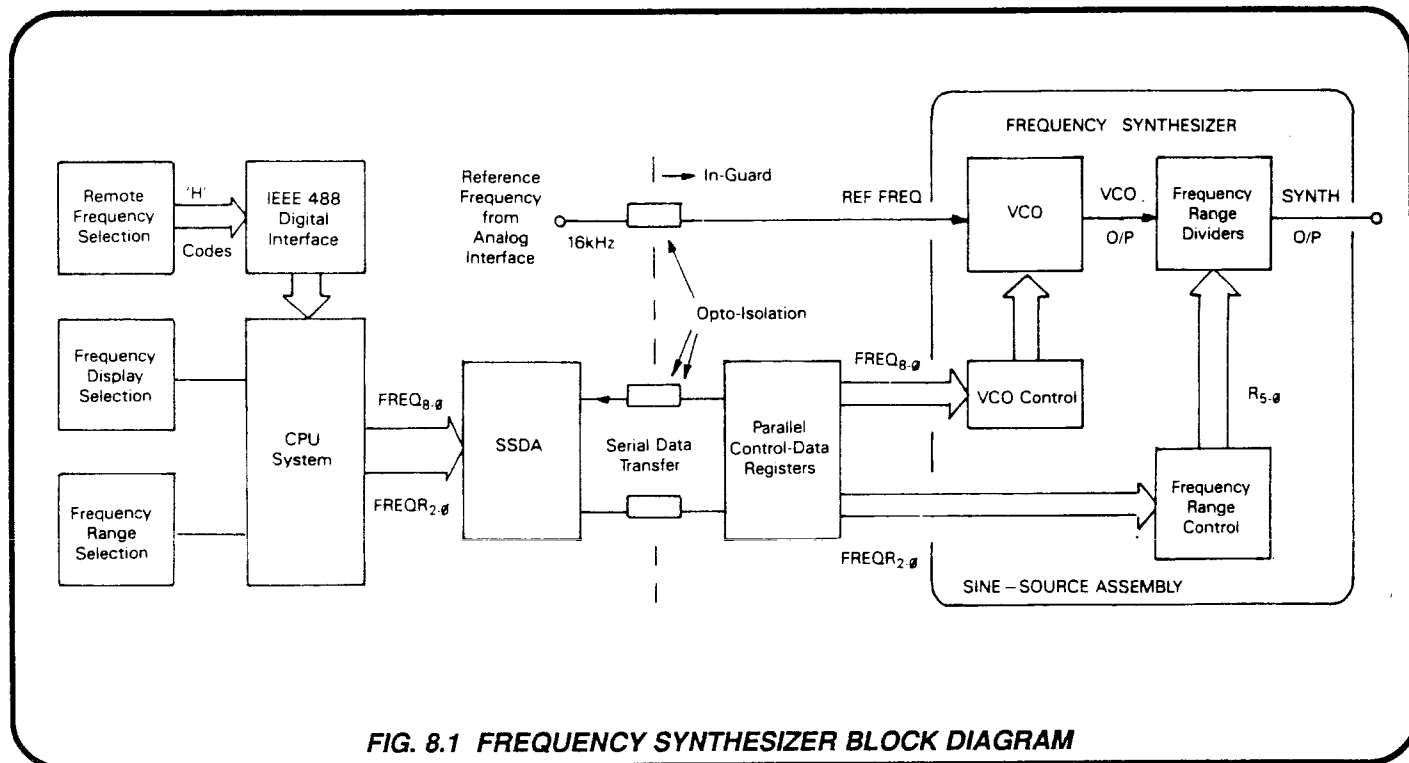


FIG. 8.1 FREQUENCY SYNTHESIZER BLOCK DIAGRAM

### 8.1 DIGITAL FREQUENCY SYNTHESIZER

(Fig. 8.1)

#### 8.1.1 GENERAL

Users normally set the operating frequency by a combination of 'FREQUENCY RANGE' and 'FREQUENCY' display selections. These are memorized by the CPU and translated into two binary control words:

##### 'FREQ R<sub>2-θ</sub>'

A three-bit word, five of whose codes represent the five frequency ranges.

##### 'FREQ R<sub>8-θ</sub>'

A nine-bit word whose value 'n' defines the chosen frequency with respect to the selected frequency range.

Users can select a frequency by means other than pressing a FREQUENCY RANGE key and setting a frequency on the display; for example by using 'Store' or the IEEE 488 digital interface. But regardless of the selection method, the CPU will always compute the two binary words, which then synthesize the selected frequency in the Sine-Source Assembly.

Both words are passed into guard via the SSDA, and latched at the outputs of the Reference Divider Parallel Control registers. A 16kHz reference frequency is also taken into guard, to be divided by two to 8kHz in the Sine-Source assembly.

After entering the Sine-Source assembly, FREQ R<sub>8-θ</sub> effectively multiplies the 8kHz reference by a factor 'n' to determine the frequency of a Voltage Controlled Oscillator (VCO). The VCO frequency (signal 'VCO O/P') is input into a series of frequency dividers, whose ratios are set by FREQ R<sub>2-θ</sub>. The division ratios are chosen so as to make the dividers generate the Frequency Synthesizer output signal ('SYNTH O/P') at the user-selected frequency.

The purpose of the synthesizer is to provide an accurate frequency reference for the quadrature sinewave oscillator. The oscillator is approximately tuned by selection of circuit constants using the combination of 'FREQ R<sub>2-θ</sub>' and 'FREQ R<sub>8-θ</sub>'.

'SYNTH O/P' acts as the reference in the phase comparator of a Phase-Locked Loop, controlling the frequency of the main Quadrature Sinewave Oscillator to an accuracy determined by the crystal oscillator.

## 8.1.2 VOLTAGE CONTROLLED OSCILLATOR

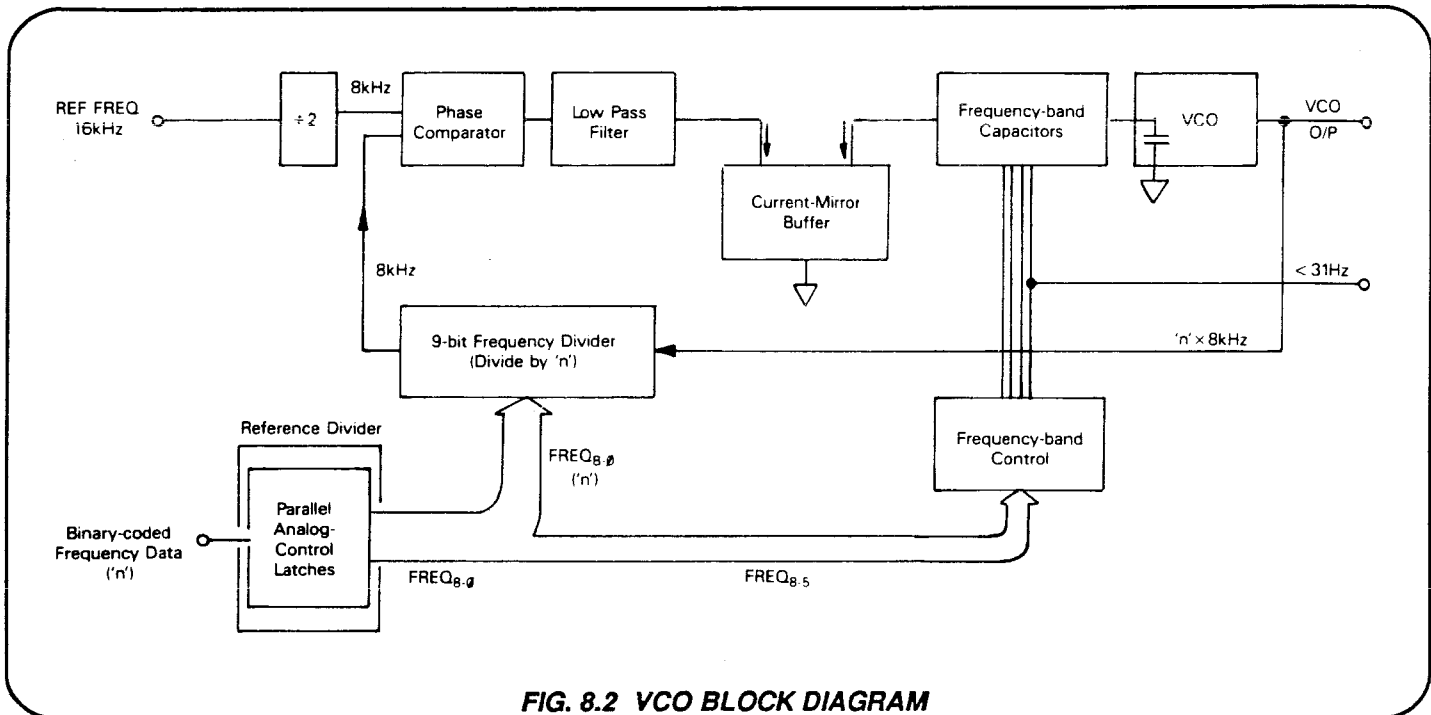


FIG. 8.2 VCO BLOCK DIAGRAM

### 8.1.2.1 Generation of 16kHz Reference

(Circuit Diagrams 430648 page 11.3-2, 430652 page 11.4-5 and 430446 page 11.6-4)

The 16kHz (INT) signal originates at M16-14 in the Analog Interface (page 11.3-2) and is buffered as '16kHz(OG)' (page 11.3-1). On the Reference Divider at J4-104, it passes into guard via opto-isolator M3 (page 11.4-5), gating with 'DISABLE REF FREQUENCY' and 'BARK' in M24, filtered by R86/C38 to reduce harmonics from the transmission path, and is sent via the Mother Assembly to J6-53 on the Sine-Source Assembly (page 11.6-4).

Schmitt-trigger M14 inverts the 16kHz into a symmetrical squarewave, which is then applied as clock to M13a, a bistable connected to divide by two. The resulting 8kHz squarewave is taken as the reference frequency for phase comparator M12. Note that in this configuration the SIG input of M12 is used for the reference, and the divided VCO output signal is applied to the REF input. This is necessary to provide the correct sense in the phase control element M50, because of the inversion of integrator M11.

### 8.1.2.2 Squarewave Generation by the VCO

The VCO is a discrete-component ECL relaxation oscillator generating an output of frequency ' $n \times 8\text{kHz}$ '. Its natural frequency is dependent on:

- the value of capacitor C2 (or C2 plus one of C3 - C6),
- the value of its continuous discharge current through the phase control element (current mirror M50), and
- the value of its charging current through Q2 on alternate half cycles (4.7mA).

Consider C2 fully discharged. Q4 is off, so all the 4.7mA from Q6 passes through Q5. The collector voltage of Q4 is close to the positive rail, buffered by Q7 and R9 to hold Q5 on. Also, as Q3 is turned off by Q4 collector voltage, Q2 is turned on by its emitter, passing 4.7mA into C2 and the current mirror M50.

Capacitor C2 charges until Q4 turns on. Cumulative Schmitt action passes the fall at Q4 collector to the base of Q5, ensuring a rapid transition between states; so the 4.7mA is transferred from Q5 to Q4. Q3 turns on, its emitter falling quickly to cut Q2 off, so the charging path to C2 etc. is interrupted.

M50 continues to discharge C2, whose voltage falls slowly until Q4 starts to cut off again. The cumulative action is repeated to turn Q2 on, recharging C2. The cycle of charge and discharge continues, generating 'VCO O/P' squarewaves at buffer Q12 emitter.

### 8.1.2.3 Coarse Frequency Control

(Circuit Diagram 430446 Page 11.6-4, and Fig. 8.2)

At any time, only one of the capacitors C3, C4, C5 and C6 can be connected in parallel with C2, by conduction of its associated transistor. This splits the frequency range of the VCO into five bands, governed by the four most-significant bits of the frequency control word  $\text{FREQ}_{8,\emptyset}$  acting on M8. The association is shown in Table 8.1; note that the VCO frequency bands quoted in the table are correct only because the VCO is under the fine control of comparator M12, within the phase-locked loop.

FREQ <sub>8-5</sub> bits 8 7 6 5	Range of 'n' Values	M8 Outputs at Logic-1	C2-C6 Selection	VCO Frequency Band (kHz)
0 0 0 0	10 to 31	X <sub>0</sub>	C2 and C6	80 to 248
0 0 0 1	32 to 63	X <sub>1</sub>	C2 and C5	256 to 504
0 0 1 X	64 to 127	X <sub>3-2</sub>	C2 and C4	512 to 1016
0 1 X X	128 to 255	X <sub>7-4</sub>	C2 and C3	1024 to 2040
1 X X X	256 to 500	NONE	C2 only	2048 to 4000

**TABLE 8.1 COARSE FREQUENCY CONTROL**

#### 8.1.2.4 Fine Frequency Control

(Circuit Diagram 430446 Page 11.6-4, and Fig. 8.2)

In the following description, capacitors C3, C4, C5 and C6 are ignored, but references to C2 should be read as including the appropriate additional capacitor.

The VCO output is fed back to M12 phase comparator via M9 and M13b, which are connected to act as a 9-bit frequency divider. Because the divider is controlled by FREQ<sub>8-0</sub>, the VCO output frequency is always divided by 'n' before being applied to the REF input of the comparator. The output from the comparator will only be zero if the frequency fed back to M12-6 is 8kHz (ie. the VCO frequency is n x 8kHz), and in phase with the 8kHz REF FREQ at M12-3 (TP14).

The output from M12 is integrated by M11 to drive a DC current into the current mirror M50, which has a gain of two, its output current being drawn from the charge on C2. During the half-cycles of the VCO oscillation when C2 is being charged, the mirror obtains its current from Q2 conduction.

The phase control loop seeks to phase-lock the two inputs to the comparator. If they are in phase, the comparator output is at high impedance ('TRISTATE'). In this condition the integrator capacitors C16 and C18 have no charge or discharge path, so M11's extremely high gain maintains their charge, and thus the voltage at TP6. M11 supplies the input current for M50, the mirror continues to draw the same discharge current from C2, so the frequency of VCO oscillation remains constant. Thus the loop stabilizes only when the frequency divided by 'n' from the VCO output is in phase with (and therefore at the same frequency as) the reference 8kHz.

In stable operation, therefore, the loop maintains VCO oscillations at n x 8kHz, and the feedback dividers reduce this frequency by a factor of 'n' to 8kHz.

Any disturbance in the loop will generate corrections to restore zero phase difference at the inputs of M12. Frequency deviations are therefore detected at an early stage as phase changes, giving a measure of 'phase advance' correction.

#### 8.1.2.5 'INHIBIT' (VCO Off)

The VCO can be switched off by a logic-1 of 0V at the base of Q11 (INHIBIT signal). This originates in the CPU system, setting FREQ R<sub>2-0</sub> code to 111 (a non-existent 'R7' range) when AC functions are deselected. It also resets the +2 flip-flop M13a, so that no reference frequency is passed into the phase comparator.

#### 8.1.2.6 VCO Supply Rail Protection

To prevent VCO oscillations appearing on the 15V power rails, which also supply the integrator M11 and current mirror M50, the positive rail is heavily decoupled, regulated by Q8, and all devices whose currents are likely to disturb the rails are supplied through constant current sources (Q1, Q6, Q9 and Q13).

#### 8.1.2.7 VCO Output

The VCO, M11 and M50 operate from the 15V supplies. M12, M9 and the frequency dividers which follow the VCO, all operate from the in-guard logic supplies of +0V and -15V. The VCO output from Q12 emitter is therefore limited by D1 to logic supply levels. A re-conversion back to 15V levels is accomplished at the input to the integrator M11, as TP31 pulses are negative at M11 input.

D1 is a Schottky hot carrier diode of reverse capacitance approx. 2pF. This avoids distorting the high frequency output squarewaves (for 1MHz output, the VCO oscillates at 4MHz).

The output passes through R12 to avoid loading the VCO, and then fed as 'VCO O/P' to the frequency dividers at M5-9 (page 11.6-5).

### 8.1.3 FREQUENCY RANGE DIVIDERS

(Fig 8.3)

As mentioned earlier in para 8.1.1, the purpose of the synthesizer is to provide an accurate frequency reference for the quadrature sinewave oscillator. The VCO frequency (signal 'VCO O/P') is input to a series of frequency dividers, whose ratios are set by 'FREQ R<sub>2-0</sub>', so as to make the dividers generate the selected frequency as 'SYNTH O/P'. FREQ R<sub>2-0</sub> is a three-bit word, five of whose codes represent the five frequency ranges.

A second purpose is to clock the Quasi-Sinewave Generator in synchronism with the synthesizer output (and hence with the main quadrature sinewave oscillator output). The synthesizer frequency is a multiple of the Quasi-Sine frequency, except on the 100Hz frequency range, where they are both at the same frequency. Thus the divider ratios are also chosen to generate the correct frequencies for the quasi-sinewave clock, for each frequency range selected.

#### 8.1.3.1 Divider Ratios

(Circuit Diagram 430446 Page 11.6-5)

Binary/BCD Divider M5 is set for binary division by fixing M5-2 and M5-10 at Logic-0. Conversely, M1 is set for decimal division by fixing M1-2 and M1-10 at Logic-1.

BCD counter M2 is set to count up, by fixing M2-10 at Logic-1. Its  $\overline{\text{CARRY OUT}}$  signal at M2-7 is at 1/10 of its clock frequency, and its Q1 output on M2-6 is at half its clock frequency. Flip-flop M4a is connected to divide its clocks by two.

Multiplexer M6 selects the appropriate source frequency to clock the Quasi-Sinewave generator. In particular, on the 100Hz Range it selects the  $\overline{\text{CARRY OUT}}$  from M2, which is subsequently divided by 10 in the quasi-sinewave counter, and returned via J6-51 to be used as SYNTH O/P.

**8.1.3.2 Ratio Selection by Frequency Range**  
(Fig. 8.3 and Table 8.2)

The frequency range selection word  $FREQ R_{2-0}$  is decoded by M29 into five range lines  $R_{4-0}$ . These lines perform the following functions:

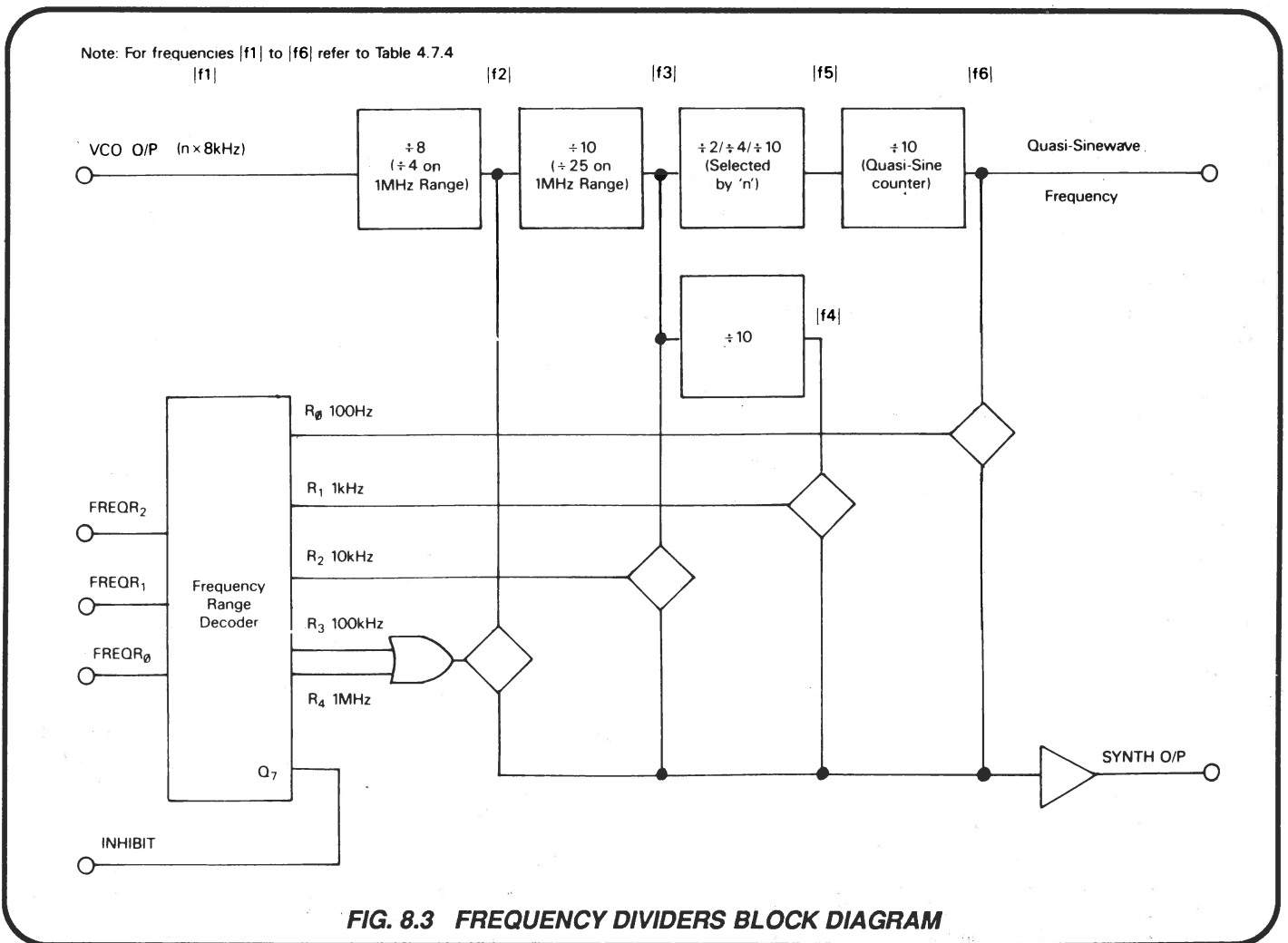
- a. Switch ranges in the quadrature sinewave oscillator by relays RL1-RL8 selection of integrator capacitors (page 11.6-1);
- b. Switch ranges in the Cosine Squarer output filter (page 11.6-2);
- c. Adjust the division ratios of Frequency Range Dividers M5 and M1 (page 11.6-5) for range  $R_4$  (1MHz Range),
- d. Select appropriate outputs from the Frequency Range Dividers (page 11.6-5); and
- e. The INHIBIT line turns off the VCO for non-AC functions.

Functions (a) and (b) are described later in Section 8.2. In this description we are concerned mainly with functions (c) and (d).

Table 8.2 shows how frequency range switching derives the synthesizer output frequencies by selecting the appropriate outputs from the dividers. Note that except for the 1MHz Range  $R_4$ , the ratios of individual dividers are not altered.

On the 100Hz Range  $R_0$  the overall division ratio of 8000 is achieved as for the 1kHz Range, but with a further division by 10 in the quasi-sinewave counter M11 on the AC Assembly.

On the 1MHz Range,  $R_4$ , the division ratio of M5 is changed from 8 to 4. The  $DP_A$  inputs M5-5 and M5-6 are primed to Logic-1 and Logic-0 respectively, whereas on all other ranges the priming is reversed. Range  $R_4$  also alters the division ratio of M1 from 10 to 25, by changing its priming bit-pattern, to correct the quasi-sinewave frequency; but as the synthesizer output is taken through M10-4/3 from M5 output, the adjustment to M1 does not affect the SYNTH O/P frequency.



**FIG. 8.3 FREQUENCY DIVIDERS BLOCK DIAGRAM**



FREQ. RANGE	FREQUENCY DISPLAY  Hz	VCO OUTPUT (n × 8kHz)  kHz	OVERALL DIVISION RATIO	RELEVANT DIVIDER RATIOS				QUASI-SINE CLOCK FREQUENCIES  (J6-50)*	SYNTHESIZER OUTPUT  (J6-52)
				M5	M1	M2	M11* (AC PCB)		
100Hz (R0)	10-63 64-127 128-330	80-504 512-1016 1024-2640	8000	8 8 8	10 10 10	10 10 10	10 10 10	Hz 100-630 640-1270 1280-3300	Hz 10-63 64-127 128-330
1kHz (R1)	0.30k-0.63k 0.64k-1.27k 1.28k-3.30k	240-504 512-1016 1024-2640	800	8 8 8	10 10 10	10 10 10		kHz 1.5-3.15 1.6-3.175 1.28-3.3	Hz 300-630 640-1270 1280-3300
10kHz (R2)	3.0k-6.3k 6.4k-12.7k 12.8k-33.0k	240-504 512-1016 1024-2640	80	8 8 8	10 10 10			kHz 1.5-3.15 1.6-3.175 1.28-3.3	kHz 3.0-6.3 6.4-12.7 12.8-33.0
100kHz (R3)	30k-63k 64k-127k 128k-330k	240-504 512-1016 1024-2640	8	8 8 8				kHz 1.5-3.15 1.6-3.175 1.28-3.3	kHz 30-63 64-127 128-330
1MHz (R4)	0.30M-1.00M	1200-4000	4	4				kHz 1.2-4.0	kHz 300-1000

\* Quasi-sine counter M11 on the AC Assembly divides VCO output at all frequencies, but contributes to SYNTH O/P only on the 100Hz Frequency Range.

**TABLE 8.2 SYNTHESIZER OUTPUT - DIVISION RATIOS**

**8.1.3.3 Frequency Synthesis for the Quasi-Sinewave Generator**  
(Fig. 8.3 and Table 8.3)

The 100Hz frequency range uses the quasi-sinewave counter as a divider in deriving its SYNTH O/P frequency. Although not a direct component of the frequency of the SYNTH O/P signal on other ranges, the quasi-sinewave frequency is deliberately derived in the synthesizer, so that the zero-crossings of its waveform can be synchronized at a time when the main sinewave is also crossing zero. (The main sinewave, of course, can be at a high multiple of the quasi-sinewave frequency.)

The quasi-sinewave frequency is held to a maximum of 330Hz (400Hz on the 1MHz range), to limit errors due to high harmonics. The 1MHz frequency range contains only one frequency band, but the other four ranges are each divided into three bands, corresponding to the three most significant bits of the frequency word  $FREQ_{8-6}$ .

Table 8.3 illustrates the way that the three bands affect the quasi-sine frequencies. Note that division ratios of 2, 4 or 10, by M2 and M4a, are selected by  $FREQ_6$ ,  $FREQ_7$  and  $FREQ_8$  at M6 pins 11, 10 and 9 respectively. Frequency range  $R_0$  at M7-2 ensures that on the 100Hz range, the divide-by-10 output of M2 is always selected, regardless of the state of these three bits.

To ensure that the Divide-by-2 outputs of M2 and M4a are locked into the correct phase for quasi-sinewave generation, a synchronizing signal 'CHOP LOCK' is derived from the quasi-sinewave counter 'Q<sub>0</sub>' output, entering at J6-75. Following DC-restoration from 8V supplies to the normal 0V/-15V logic supplies by C20/D3/R15/M7, the signal is applied to M4a SET input, and M2 RESET input.

For all frequency ranges, the '100-5kHz' quasi-sinewave generator clock is passed to the AC Assembly via J6-50 and the Mother Assembly. This output is level-shifted by Q42, to the 8V supplies which are used in the quasi-sinewave generator circuitry.

The quasi-sinewave generator reset signal 'SYNC<sub>0</sub>(IG)' (which was transferred into Guard by M2 on the Reference Divider), is input to the Sine-Source Assembly on J6-48 to be similarly level-shifted by M43, before being passed to the AC Assembly via J6-49. This signal, however, is not used on this instrument.

For other details of the quasi-sinewave generator refer to Section 6.6.

FREQ. RANGE	FREQUENCY DISPLAY Hz	FREQUENCIES SYNTHESIZED IN SINE-SOURCE ASSEMBLY				OVERALL DIVISION RATIO	QUASI-SINE CLOCK FREQUENCY (J7-50)	QUASI-SINE FREQUENCY (& J7-51) Hz	OUTPUT FREQUENCY Hz
		VCO OUTPUT (n × 8kHz) kHz	DIVIDER RATIOS for QUASI-SINEWAVE M5 M1 M2 M4a						
100Hz (R0)	10-63 64-127 128-330	80-504	8	10	10	—	Hz 100-630 640-1270 1280-3300	10-63 64-127 128-330	10-63 64-127 128-330
		512-1016	8	10	10	—			
		1024-2640	8	10	10	—			
1kHz (R1)	0.30k-0.63k 0.64k-1.27k 1.28k-3.30k	240-504	8	10	2	—	kHz 1.5-3.15 1.6-3.175 1.28-3.3	150-315 160-317.5 128-330	0.30k-0.63k 0.64k-1.27k 1.28k-3.30k
		512-1016	8	10	2	2			
		1024-2640	8	10	10	—			
10kHz (R2)	3.0k-6.3k 6.4k-12.7k 12.8k-33.0k	240-504	8	10	2	—	kHz 1.5-3.15 1.6-3.175 1.28-3.3	150-315 160-317.5 128-330	3.0k-6.3k 6.4k-12.7k 12.8k-33.0k
		512-1016	8	10	2	2			
		1024-2640	8	10	10	—			
100kHz (R3)	30k-63k 64k-127k 128k-330k	240-504	8	10	2	—	kHz 1.5-3.15 1.6-3.175 1.28-3.3	150-315 160-317.5 128-330	30k-63k 64k-127k 128k-330k
		512-1016	8	10	2	2			
		1024-2640	8	10	10	—			
1MHz (R4)	0.30M-1.00M	1200-4000	4	25	10	—	kHz 1.2-4.0	120-400	0.30M-1.00M

**TABLE 8.3 QUASI-SINEWAVE FREQUENCY DERIVATION IN FREQUENCY SYNTHESIZER**

### 8.1.3.4 Synthesizer Frequency Analysis

Table 8.4 is provided to allow a complete analysis of the frequencies to be found in the divider circuitry. In part, it duplicates figures from tables 8.2 and 8.3.

FREQ. RANGE (NOM)	FREQUENCY DISPLAY Hz	VCO DIVISOR 'n'	f1 VCO OUTPUT (n x 8kHz) kHz	f2 M5 OUTPUT (f1-8) kHz	f3 M1 OUTPUT (f2-10) kHz	f4 M2 OUTPUT (f3-10) Hz	f5* M6 OUTPUT (M6.3) Hz			f6 J6-51 INPUT (f5-10) Hz
							M6 Input Channels and Division Ratios			
							X <sub>0</sub> (f3-2)	X <sub>1</sub> (f3-4)	X <sub>2,7</sub> (f3-10)	
100Hz (R0)	10-63 64-127 128-330	10-63 64-127 128-330	80-504 512-1016 1024-2640	10-63 64-127 128-330	1.0-6.3 6.4-12.7 12.8-33.0	100-630 640-1270 1280-3300			100-630 640-1270 1280-3300	[ 10-63 ] [ 64-127 ] [ 128-330 ]
1kHz (R1)	0.30k-0.63k 0.64k-1.27k 1.28k-3.30k	30-63 64-127 128-330	240-504 512-1016 1024-2640	30-63 64-127 128-330	3.0-6.3 6.4-12.7 12.8-33.0	[ 100-630 ] [ 640-1270 ] [ 1280-3300 ]	1500-3150	1600-3175	1280-3300	150-315 160-317.5 128-330
10kHz (R2)	3.0k-6.3k 6.4k-12.7k 12.8k-33.0k	30-63 64-127 128-330	240-504 512-1016 1024-2640	30-63 64-127 128-330	[ 3.0-6.3 ] [ 6.4-12.7 ] [ 12.8-33.0 ]	100-630 640-1270 1280-3300	1500-3150	1600-3175	1280-3300	150-315 160-317.5 128-330
100kHz (R3)	30k-63k 64k-127k 128k-330k	30-63 64-127 128-330	240-504 512-1016 1024-2640	[ 30-63 ] [ 64-127 ] [ 128-330 ]	3.0-6.3 6.4-12.7 12.8-33.0	100-630 640-1270 1280-3300	1500-3150	1600-3175	1280-3300	150-315 160-317.5 128-330
1MHz (R4)	Hz 0.30M-1.00M	'n' 150-500	kHz 1200-4000	(f1-4) kHz [ 300-1000 ]	(f2-25) kHz 12-40	(f3-10) Hz 1200-4000			1200-4000	Hz 120-400

**TABLE 8.4 SYNTHESIZER DIVIDERS - FREQUENCY ANALYSIS**



## 8.2 QUADRATURE SINEWAVE OSCILLATOR

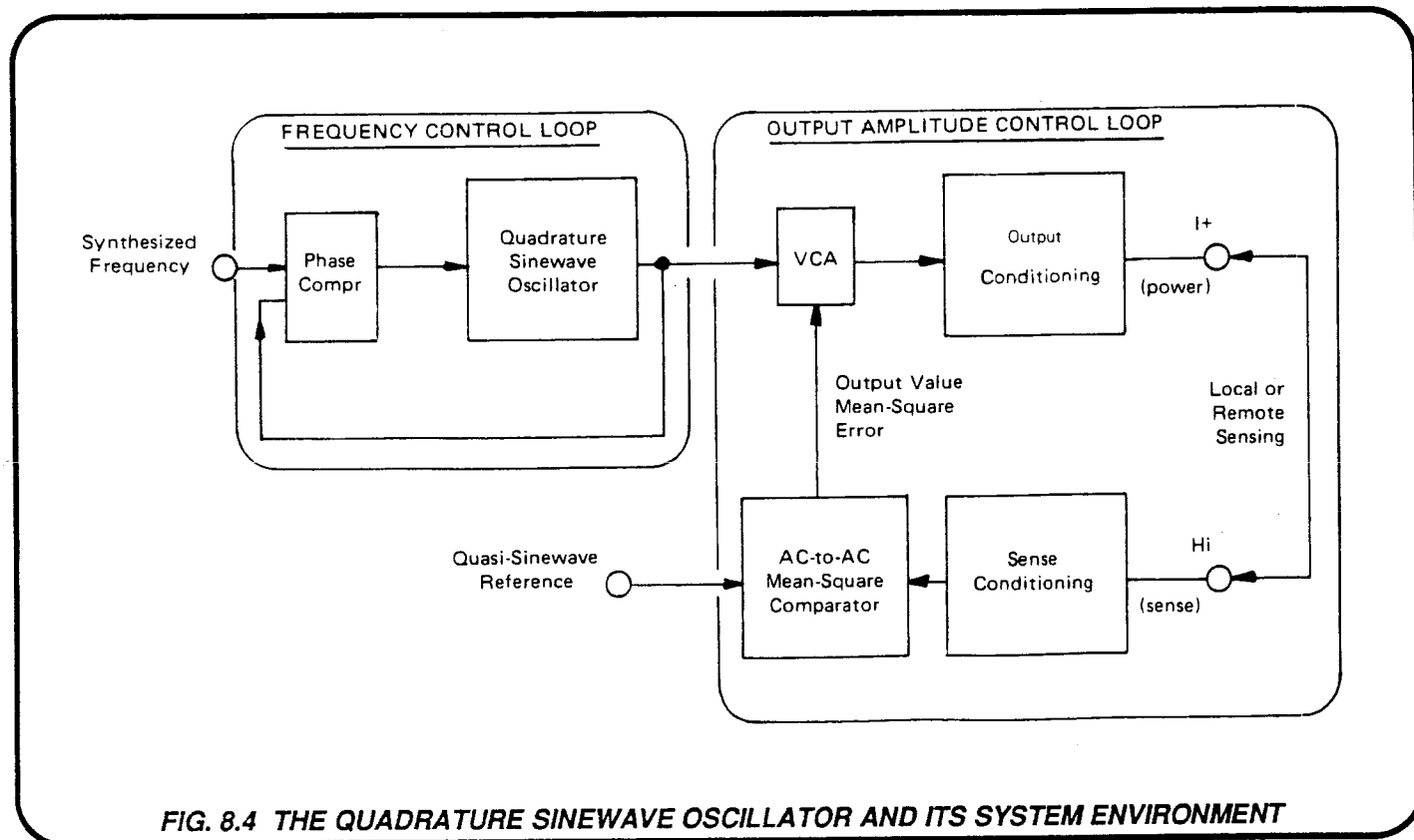


FIG. 8.4 THE QUADRATURE SINEWAVE OSCILLATOR AND ITS SYSTEM ENVIRONMENT

### 8.2.1 PURPOSE and ENVIRONMENT

(Fig. 8.4)

The purpose of the oscillator is to define the amplitude-stability, purity and frequency of the sinusoidal output of the instrument on all ranges. Its output is of sufficient constant amplitude to drive the subsequent signal-conditioning circuitry.

After originating in the oscillator, the sinewave amplitude is accurately defined in two output- sense loops, using a low-distortion VCA as control element. The sinewave is set close to its demanded value by analog conditioning in the output circuits.

The output voltage is sensed, attenuated to its 1V Range equivalent, then its mean-square value is compared against that of the quasi-sinewave reference. The difference is converted into a DC error voltage which corrects the output by adjusting the VCA gain.

As the purity and amplitude-stability of the output sinewave depend substantially upon its source, a high quality oscillator is necessary. A 'quadrature' (dual-integrator) circuit is chosen for two main reasons:

- This arrangement allows extensive phase and amplitude controls to be applied, to establish the required high specification.
- Its natural frequency can be easily programmed by electrical selection of its component values.

The oscillator is approximately tuned by selection of circuit constants using the two CPU-derived binary words 'FREQ R<sub>2-0</sub>' and 'FREQ<sub>3-0</sub>'. These also accurately define the crystal-sourced frequency of the Digital Frequency Synthesizer output, to which the oscillator is phase-locked. Thus the output sinewave frequency accuracy is held to 100ppm.

## 8.2.2 SIMPLE QUADRATURE OSCILLATOR

### 8.2.2.1 Basic Circuit (Fig. 8.5)

The circuit consists of two RC integrators and an inverter, connected in a positive feedback loop. The nominal phase-shift around the loop is 360° (actually 720°: 270° in each integrator, 180° in the inverter).

Assuming perfect integrators, matched components and an inverter gain of exactly -1, this circuit will undergo stable oscillation at a frequency given by:

$$\omega = 1/RC$$

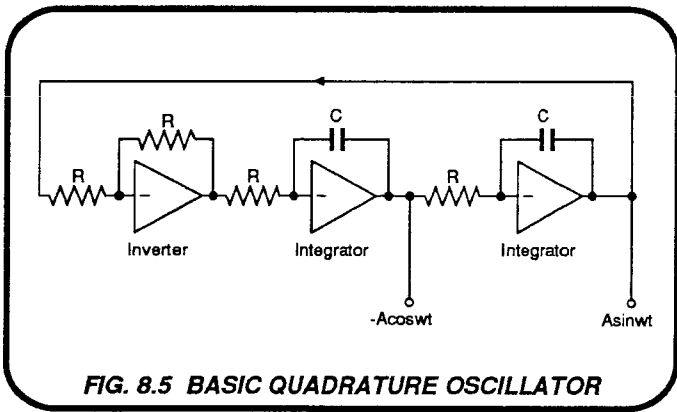


FIG. 8.5 BASIC QUADRATURE OSCILLATOR

### 8.2.2.2 Inadequacies of the Basic Circuit (Figs. 8.5 and 8.6)

For an unrefined practical implementation of the basic circuit, the loop gain and phase response would be as shown in Fig. 8.6.

The two main conditions for stable oscillation at constant amplitude are: exactly unity loop gain, and exactly 360° (or multiple of 360°) of loop phase-shift; so the circuit of Fig. 8.5 clearly does not satisfy these conditions. Without some attempt to control gain and phase, the loop would be either over- or under-damped, so oscillations would either die away or increase in amplitude until limited by the supply rails.

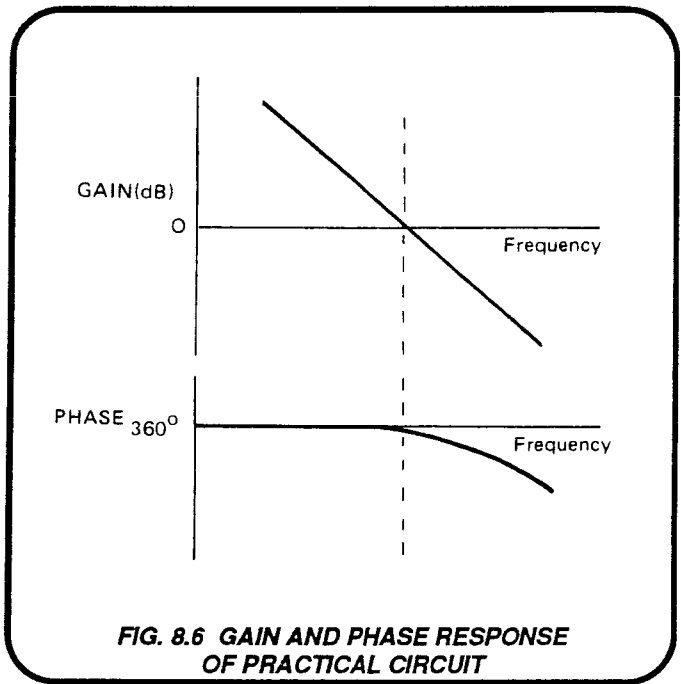


FIG. 8.6 GAIN AND PHASE RESPONSE OF PRACTICAL CIRCUIT

## 8.2.3 PRACTICAL QUADRATURE OSCILLATOR (Fig. 8.7)

The method chosen to refine the simple circuit corrects the loop phase-shift to exactly 360° using a feedback signal. Furthermore, it is arranged that this signal is correct only at a given output

amplitude, so the amplitude of stable oscillation is defined. In Fig. 8.7 the correction circuit is added.

### 8.2.3.1 Phase Correction

The loop phase is corrected by introducing a small cosine term ( $B \cdot \cos \omega t$ ) to be summed with the sine feedback ( $A \cdot \sin \omega t$ ) at the input to the inverter. The resultant output of the inverter is thus given by:

$$V(t) = -(A \cdot \sin \omega t + B \cdot \cos \omega t) = M \cdot \sin(\omega t + \phi) \quad \text{----- 1}$$

where  $M = \sqrt{A^2 + B^2}$   
and  $\sin \phi = B/M$ ;  $\cos \phi = A/M$ .

$$\text{Hence} \quad \phi = \tan^{-1}(B/A) \\ \text{and for } B \ll A: \quad \phi \approx B/A \quad \text{----- 2}$$

The  $\phi$  term represents an additional phase shift in the inverter, which by suitable scaling can be made equal to the phase error in the basic oscillator loop. Scaling is achieved by multiplying  $A \cdot \cos \omega t$  by the DC amplitude error ( $A^2 - I_{REF}$ ), as described opposite.

### 8.2.3.2 Constant Amplitude Control

The above method of phase correction plays its part in controlling the output amplitude. With both sine and cosine terms available, a DC analog of the sinusoidal output amplitude can be obtained utilizing the identity:

$$\sin^2\omega t + \cos^2\omega t = 1.$$

Equal-amplitude sine and cosine outputs are squared in 4-quadrant multipliers. Their squares are summed to generate amplitude feedback in the form:

$$\begin{aligned} & A^2 \sin^2\omega t + A^2 \cos^2\omega t \\ &= A^2(\sin^2\omega t + \cos^2\omega t) \\ &= A^2. \end{aligned}$$

This method therefore expresses the square of the output amplitude as a DC current analog, from which is subtracted a constant DC reference current  $I_{REF}$ .

The difference current ' $A^2 - I_{REF}$ ' is taken as the amplitude error, which defines the fraction 'B' of the cosine term to be fed back to the inverter as ' $B \cdot \cos\omega t$ '.

In a perfect oscillator, this 'cos' feedback would be driven to zero. But in any practical circuit, some small remnant of  $B \cdot \cos\omega t$  persists at the correct loop phase-shift, correcting the loop gain to within the stability specification.

Acting thus together, the combined feedbacks correct both loop gain and phase simultaneously. The method of amplitude correction prevents the appearance of AC components in the amplitude error signal, thus avoiding unacceptable levels of harmonic distortion due to the cosine multiplier.

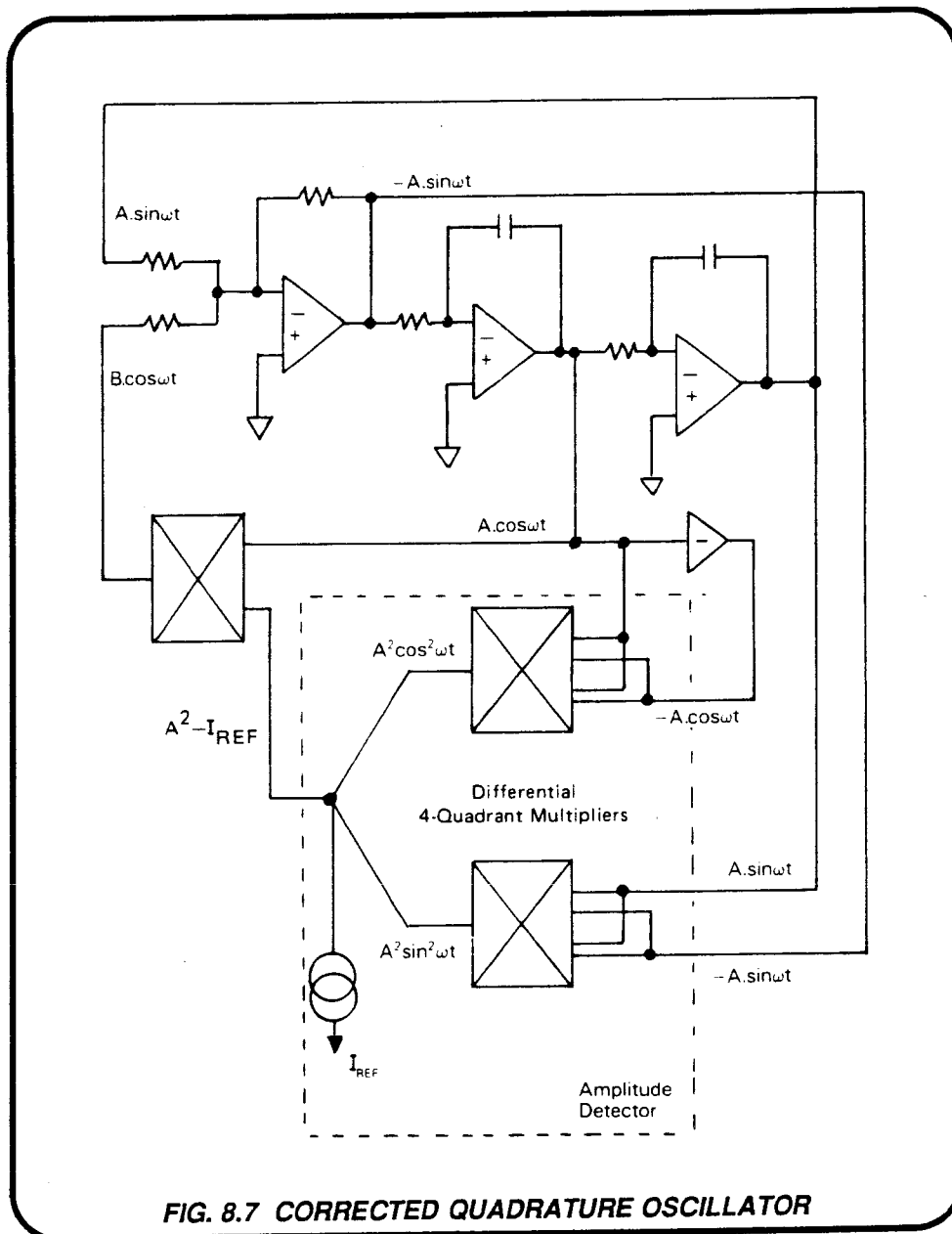


FIG. 8.7 CORRECTED QUADRATURE OSCILLATOR

## 8.2.4 FREQUENCY CONTROL

Section 8.1 describes frequency generation in the Frequency Synthesizer. Binary control words computed by the CPU represent user-selections of FREQUENCY RANGE and FREQUENCY. These adjust frequency division ratios in the feedback circuit of a

phase-locked loop, and division ratios in subsequent frequency dividers, to set the Synthesizer output signal 'SYNTH O/P' to the selected frequency. Stability and accuracy are assured by a crystal-sourced reference of 16kHz.

### 8.2.4.1 Coarse Adjustment

The Sinewave Oscillator is already approximately tuned to the selected frequency by the two binary control words, which select from weighted values of integration capacitance and resistance:

- **Frequency ranges** are selected by control word  $FREQ R_{2-\phi}$ , which controls relays to change the values of integrator capacitance.
- **Frequencies within a range** are selected by the control word  $FREQ_{8-\phi}$ , which controls FETs to change the values of integrator resistance.

### 8.2.4.2 Fine Adjustment

(Fig. 8.8)

The oscillator's output is converted into a squarewave and applied as 'signal' to the phase comparator of a second phase-locked loop. The Synthesizer output signal 'SYNTH O/P' is input as reference frequency to the same comparator. The difference is integrated to produce a DC phase error signal, which is applied to control the gain of the inverter stage of the oscillator.

It can be shown that the actual operating frequency is a function of the inverter gain. In the frequency domain, the oscillator loop transfer function is given by:

$$G \times (\omega_0/s) \times (\omega_0/s)$$

where  $G$  is the inverter gain,

$\omega_0$  is the unity-gain frequency

$s = j\omega$ , where  $\omega$  is the actual frequency of operation.

For stable oscillation, the loop transfer function must equal  $1/0$ .

$$\text{Hence } G \cdot \omega_0^2 / s^2 = 1/0$$

$$\text{Therefore } G \cdot \omega_0^2 = j^2 \cdot \omega^2 = -1 \cdot \omega^2$$

$$\text{and } \omega = -\omega_0 \cdot G^{1/2}$$

Thus by adjusting the gain of the inverter, the phase error signal from the comparator exerts fine control of the oscillator frequency. This phase-locks the oscillator to the Frequency Synthesizer.

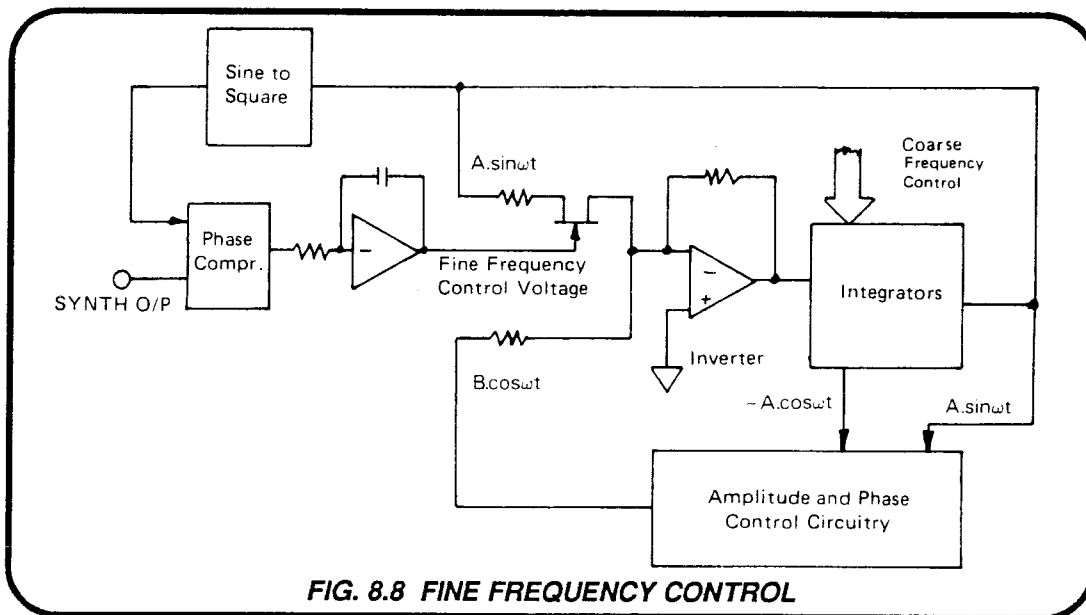


FIG. 8.8 FINE FREQUENCY CONTROL

## 8.2.5 OSCILLATOR OUTPUT

The  $A \cdot \sin \omega t$  signal is inverted and buffered out to provide the drive to the output loop VCA. The buffer feedback resistors are positive TC thermistors which compensate for the TC of the VCA input FETs (refer to section 9).



---

## QUADRATURE OSCILLATOR CIRCUIT DESCRIPTION

---

### 8.2.6 MAIN INTEGRATORS

(Circuit Diagram 430446 page 11.6-1)

The cascaded integrators consist of M19 and M30 together with their input resistors and feedback capacitors. Both circuits are identical in operation, although some slight differences in implementation exist.

Adjustments to the natural oscillation frequency are made by switching the integrator time constants.

#### 8.2.6.1 Frequency Range Switching

The feedback capacitors are selected by the binary control word 'FREQ  $R_{2-\emptyset}$ '. This is decoded into five lines  $R_{4-\emptyset}$  (page 11.6-5), each representing a frequency range. The capacitors for  $R_4$  (1MHz) are fixed, one other set being added in parallel when its range is selected. Relays RL1 to RL8 perform the switching.

#### 8.2.6.3 Slew Rate and Protection

Emitter-followers at the outputs of the integrator operational amplifiers allow the high slew-rates necessary to be achieved, by buffering any loading effects. The diode clamp networks between output and input prevent latch-up by imposing unity-gain feedback when output peaks exceed approx. 5V.

#### 8.2.6.2 Frequency Increments

The integrator input resistors are connected in a binary-weighted ladder network, the total input resistance depending on the pattern of FET conduction. Each FET is turned on by its corresponding binary digit in the frequency control word  $FREQ_{8-\emptyset}$  (appearing as  $A_{8-\emptyset}$  and  $B_{8-\emptyset}$  at the FET gates).

#### 8.2.6.4 Output Offset Control

The amplitude detector circuit squares the outputs from both integrators. It is therefore important that their DC offset voltages are not included in the squaring computation.

The least-significant bits, representing low frequencies, control the highest-value resistors at the base of the ladder. The most-significant bits, which represent the highest frequencies, control the lowest-value resistors at the top.

The 'Cosine' offset is removed by adjustment of R50 at the non-inverting input of M30, and the 'Sine' offset by R49 at the input of inverter M15. This latter adjustment removes the combined offsets of M15 and M19. (At manufacture, and after any replacement of major board components, the controls are iteratively adjusted for minimum AC fundamental component in the DC amplitude control signal 'V<sub>G</sub>' at link 'B').

Any user-selected frequency in a given frequency range is thus represented by a bit-pattern in the control word, which is repeated in the FET conduction pattern and resistance selection at the input of both integrators.

---

### 8.2.7 INVERTER STAGE

The inverter completes the positive feedback loop of the basic oscillator. The very high bandwidth device used for M15 is compensated by C27, and its TO8 case is grounded.

As mentioned earlier, its DC input offset is adjusted by R49 to null the sine DC offset.

#### 8.2.7.1 Gain Control

The inverter has three inputs:

- A.sinwt from the second integrator, the basic oscillator feedback loop.
- B.coswt from the Amplitude correction loop.
- 'FREQ ERROR', a DC current which alters the inverter's input resistance (and hence its gain) by controlling FET conduction, phase-locking the oscillator to the synthesizer output frequency (refer to para 8.2.4.2).

Two FETs in series are required for the amplitude levels reached by A.sinwt. R41 is selected to account for differing 'on' resistances of different batches of FETs. This input circuit is a scaled-down version of that employed for the VCA in the main output loop, details of which appear in Section 9. A description of the action of the frequency tracking loop follows at para 8.2.7.2.

Inputs (a) and (b) [A.sinwt and B.coswt] are summed as currents at the inverting input. The amplitude of the B.coswt signal is determined by the action of the amplitude control loop, described in sections 8.2.8 and 8.2.9.

#### 8.2.7.2 Frequency Tracking - General

As stated in para 8.2.4.2, the oscillator's output is applied to the comparator of a phase-locked loop. The Synthesizer output is input as reference frequency to the same comparator. The phase-difference pulse train from the comparator is integrated to produce a DC phase error signal, which is applied to control the gain of the inverter stage of the oscillator. This exerts fine control of the oscillator frequency, tracking the Synthesizer frequency.

Input (c) controls the gain of the inverter. The A.sinwt is applied via two input resistors R28 and R41 in series. R28 is shunted by the two FETs of Q29, whose the source-drain resistance is altered by the 'FREQ ERROR' current via current-mirrors M16 and M18.

### 8.2.7.3 Tracking Comparator

(Circuit Diagram 430844 Page 11.7-6)

After buffering and inversion by M47 on the Sine-source Assembly (page 11.6-1), the oscillator  $A \cdot \sin \omega t$  output is passed to the AC Assembly via J6-45 and J7-45.

On the AC Assembly, the sine wave is converted into a square wave by Schmitt bistable Q32/Q33, and level-shifted to logic supply levels of 0V and -15V by D25/Q28. Q28 provides a current-limited load for maximum gain, while D24 and D25 prevent voltage saturation of Q32. Q23 buffers the resulting square wave into the phase comparator input at M30-6.

The slower zero-crossings at the lowest frequencies could be susceptible to HF noise, so this is filtered, on the 100Hz frequency range only, by Q27 and C48.

The 'SYNTH O/P' square wave, at the demanded frequency, is transmitted from the Sine-source Assembly at low (1V Full Range) level. This holds the maximum slew rate to a value which avoids inducing interference in other internal circuits. Q20 and Q21 amplify the signal to the CMOS logic levels of 0V and -15V required by the comparator input at M30-3.

Note that current steering is used between Q32 and Q33, and between Q20 and Q21. Also, a constant current source Q22 provides Q23 emitter current. These measures prevent the fast switching edges in the schmitt and amplifier circuits from injecting spikes into the supply rails.

Phase-comparator output M30-5 consists of positive pulses (0V) when the oscillator lags the synthesizer, or negative (-15V) when the oscillator leads. When both are in phase, M30-5 is at high impedance.

At integrator M31 input, zener diode D30 holds the non-inverting input at -6.4V; so for in-phase signals into the comparator, the inverting input seeks the same level. The integrator tends to hold its voltage level (with very slight drift due to capacitor leakage but limited to -9.8V by D32/D33). When the oscillator output lags the synthesizer output, the positive-going comparator pulses are integrated to drive M31-6 slowly more negative. When the phase of the oscillator leads, the integrator output becomes more positive.

The phase control loop seeks to phase-lock the two inputs to the comparator. If they are in phase, the comparator output is at high impedance ('TRISTATE'). In this condition the integrator capacitors C53 and C56 have no charge or discharge path, so M31's extremely high gain maintains a constant charge on the capacitors. The constant voltage on Q37 base maintains a constant 'FREQ ERROR' current.

Q37 appears to be an open-collector amplifier. However, its collector current passes via J7-44 and J6-44, into the two current-mirrors at the input to the oscillator inverter on the Sine-source Assembly (page 11.6-1), and thence to the -15V rail.

With constant input current, the mirrors continue to draw the same output current from the AN4 bias network for Q29, so the frequency of the dual-integrator oscillator remains constant. Thus the loop stabilizes only when the oscillator frequency is in phase with (and therefore at the same frequency as) the Frequency Synthesizer output.

The overall action is for a lagging oscillator (frequency lower than the synthesizer) to increase the DC current flowing into the two current mirrors, and vice-versa if the oscillator leads. The two inputs to the comparator are in phase when the sine wave output from the oscillator is at the synthesizer frequency.

Any disturbance in the loop will generate corrections to restore zero phase difference at the inputs of M30. Frequency deviations are therefore detected at an early stage as phase changes, giving a measure of 'phase advance' correction.

### 8.2.8 SINEWAVE AMPLITUDE DETECTOR

The method of amplitude measurement relies on the identity ' $\sin^2 \omega t + \cos^2 \omega t = 1$ ' to convert AC output signals from the oscillator into a representative DC signal.

Squaring  $A \sin \omega t$  and  $A \cos \omega t$ :

$$A^2 \sin^2 \omega t = (A^2 - A^2 \cos 2\omega t)/2,$$

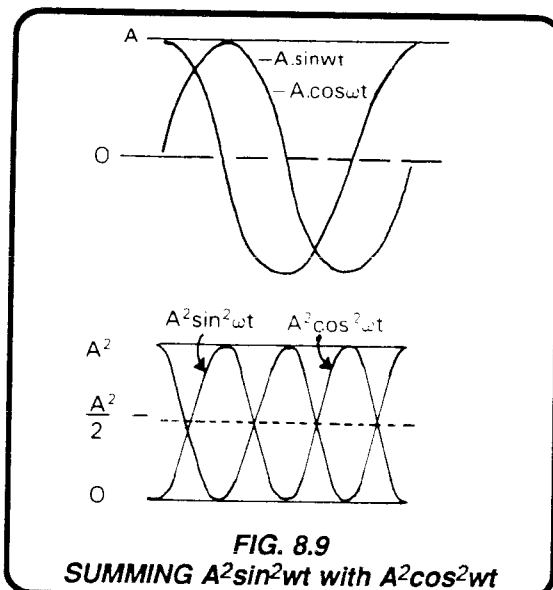
$$A^2 \cos^2 \omega t = (A^2 + A^2 \cos 2\omega t)/2,$$

The AC waveforms of  $A^2 \cos 2\omega t$  and  $A^2 \sin 2\omega t$  are inverted versions of each other, at twice the original frequency, and both are symmetrical about the DC mean value of  $A^2/2$ .

By summing the two, the AC waveforms are eliminated, leaving a DC signal,  $A^2$ , representing the square of the amplitude.

In the Amplitude Detector, the  $V_{\sin}$  and  $V_{\cos}$  outputs from the oscillator are squared electronically and summed as a differential current  $I^2$ . This is compared with a constant DC reference current  $I_{REF}$  to generate the error current  $(I^2 - I_{REF})$ , which is used to derive an amplitude error voltage ' $V_G$ '. This is filtered and passed to the Amplitude Control circuits (page 11.6-1).

$V_G$  is driven to zero by the action of the amplitude control loop, so that  $I^2 - I_{REF} = 0$ , and thus  $I^2 = I_{REF}$ . The loop therefore stabilizes only when the two are equal, and at a constant amplitude.



### 8.2.8.1 Squaring Circuit Inputs (Circuit Diagram 430446 Page 11.6-1)

Vcos and Vsin are squared independently in a pair of differential four-Quadrant multipliers, each with two identical differential inputs.

The Sine Squarer receives Vsinwt from the second integrator M30 (Q44 emitter), and -Vsinwt from the main inverter (M15-11).

As +Vcoswt is the only natural cosine output from the oscillator, the -Vcoswt signal is derived by inversion in M31. These are both fed as inputs to the Cosine Squarer.

### 8.2.8.2 Cosine Squarer (Circuit Diagram 430446 Page 11.6-2)

Isolating the Cosine circuit alone as an example, there are two differential inputs. One is applied across M34 pins 13 and 16, and the other across pins 6 and 10.

The multiplying action of the squaring circuitry relies on the exponential transconductance between a transistor's base voltage and its emitter-collector current:

$$\begin{array}{l} I_c \text{ is proportional to } \exp(V_{be}) \\ \text{so } V_{be} \text{ is proportional to } \ln(I_c) \end{array}$$

The difference between the currents in M34-1 and M34-14 collectors is linearly proportional to Vcoswt (due to M34 emitter resistors AN15). The currents are drawn from the supply through Q55 (which is connected as two matched diodes), but because of the exponential transconductance, Q55 base-emitter voltages increase logarithmically with increase of emitter current. Therefore the differential voltage at Q56 and Q57 bases due to Q55 emitter currents is logarithmic:

$$(V_{Q55-4} - V_{Q55-3}) \text{ is proportional to } \ln(V_{\text{coswt}})$$

The difference between the currents in M34-9 and M34-7 collectors is also linearly proportional to Vcoswt (due to other M34 emitter resistors AN15). But each collector current is divided between the two halves of the dual transistor in its collector circuit, regulated both by the dual transistor's exponential transconductance, and by its logarithmic differential base voltage.

The combined effect of these two factors is similar to the mathematical operation of multiplying by adding logarithms: a term is produced in each Q56 and Q57 collector current, proportional to the linear product of the two input voltages.

By cross coupling the collectors of Q56 and Q57 as shown, other constant terms are suppressed, and the difference between the currents drawn from AN15-7/8 and AN16-9/10 is proportional to:

$$V_{\text{coswt}} \times V_{\text{coswt}}$$

The inputs are equal, so the differential output current is proportional to  $V^2 \cos^2 wt$ .

### 8.2.8.3 Sine Squarer

The Sine Squarer behaves in the same way, producing a differential current in its collector loads proportional to  $V^2 \sin^2 wt$ .

### 8.2.8.4 $\cos^2$ , $\sin^2$ and $I_{\text{REF}}$ Summing

In this application, the currents from both Sine and Cosine Squarers are combined in common loads. The voltages developed across the loads will therefore also differ by an amount proportional to the expression  $V^2 \cos^2 wt + V^2 \sin^2 wt$ . Thus if a reference current was not superimposed, and utilizing the well-known identity ' $\sin^2 + \cos^2 = 1$ ', a DC voltage would exist between TP9 and TP10 (TP9 positive), equal to:

$$KV^2(\cos^2 wt + \sin^2 wt) = KV^2$$

where 'K' is a constant at constant temperature, dependent upon identical circuit values in both squarers, and 'V' is the amplitude of both sine and cosine outputs from the oscillator.

However, a reference current is superimposed. The DC current  $I_{\text{REF}}$  is drawn through the 1kohm load AN15 by M40 (pin 2), reducing the positive value of TP9 voltage to  $(KV^2 - KV_{\text{REF}})$  with respect to TP10. (The reference current is established at a value which includes the scaling factor 'K', by D26 and R91. The value of R91 for correct oscillator amplitude is determined at manufacture). M34 is connected as a diode to compensate for M40  $V_{be}$  temperature drift.

Voltage  $K(V^2 - V_{\text{REF}})$  is applied to the input of M35a, the unity-gain Summing Amplifier. M35a is connected to remove any common mode present at its input, so at TP11,  $K(V^2 - V_{\text{REF}})$  is referred to common 2A. At this point it can be recognized as the Amplitude Error Voltage. Moreover, the amplitude loop adjusts the oscillator outputs to drive the error voltage to zero, so the action of the loop also drives  $V^2$  to equal  $V_{\text{REF}}$ .

### 8.2.8.5 Filtering

Because components cannot be matched exactly, some small differences can exist between the  $\sin^2$  and  $\cos^2$  terms. Such differences appear in  $V_G$  as the fundamental and second harmonics of the oscillator frequency. These are limited by filtering in the filter formed by M35b and its associated circuit.

It would be possible to set a single low-pass bandwidth for all ranges, but as this would need to filter down to 20Hz for the 100Hz range, it would also impose inconveniently long settling times for the higher frequency ranges. The low-pass bandwidth of the filter is therefore switched between frequency ranges by the  $R_{4-0}$  signals decoded from  $\text{FREQ } R_{2-0}$  in the synthesizer (page 11.6-5).

The frequency range signals select the appropriate feedback components, by conduction of only one FET from Q47-Q52 per range. (Q48 is not used).

The filter output is the oscillator amplitude DC error signal ' $V_G$ ', limited to a maximum of approximately 6V by the action of back-to-back clamp diodes D24 and D25.  $V_G$  passes via link B to the 'Amplitude Control' circuitry (see page 11.6-1). The value of  $V_G$  determines the fraction, and its polarity the phase, of the  $V_{\text{coswt}}$  signal which is to be added to  $V_{\text{sinwt}}$  at M15 input.

## 8.2.9 AMPLITUDE CONTROL IMPLEMENTATION

(Circuit Diagram 430446 Page 11.6-1)

Before describing the control circuitry, it is useful to review the various controls imposed on the oscillator (*see Figs. 8.4 and 8.7*):

- Frequency control by phase-locked loop to the frequency of the synthesizer output (albeit with a constant phase lag). This is effected by controlling the gain of the inverter stage of the oscillator. (Input resistance of M15 is changed by adjusting the conduction of FETs Q29.)
- Phase control to establish exactly 360° loop phase-shift by injecting a small amount of  $V_{coswt}$  into the oscillator inverter input (via R29).
- Amplitude control by adjusting the sense and amplitude of  $V_{coswt}$  added to  $V_{sinwt}$ , so that the loop gain is exactly unity at 360° loop phase-shift, at a constant output amplitude, and at the synthesizer frequency. (M23 gain is adjusted by varying the attenuation of its input signal, using FETs Q41<sub>a</sub> and Q41<sub>b</sub>.)

Amplitude error is corrected by adding a controlled fraction of either  $V_{coswt}$  or  $-V_{coswt}$  to the  $V_{sinwt}$  feedback being applied to the main inverter M15. A push-pull control circuit is employed in order to adjust both amplitude and sense.  $V_{coswt}$  is input from Q31 emitter to R71, and its inverse is input to R70 from the output of M31, (which also provides the  $-V_{coswt}$  input for the cosine squarer).

### 8.2.9.1 $V_{coswt}$ Amplifier - M23

M23 is connected as a summing VCA, with a fixed feedback resistor R53.  $V_{coswt}$  and  $-V_{coswt}$  are applied to opposite ends of its balanced input resistor chain R71, R65, R64 and R70. The center of the chain is the virtual ground of M23, so if the 'on' resistances of Q41<sub>a</sub> and Q41<sub>b</sub> are equal, the balance is not disturbed and M23 output voltage is zero.

When the Loop-gain Error is zero ( $V_G = 0V$ ), the static conditions set approx. -3V bias on both FETs (depletion mode) to reduce crossover distortion. The FET gates are also bootstrapped by M24 and M25 to half the AC voltage between source and drain.

The DC conditions are:

Q41 <sub>a</sub>	Q46 emitter	- 0.75V
	M26 $I_{in}$	- 150 $\mu$ A
	M26 $I_{out}$	- 300 $\mu$ A
	Q41 <sub>a</sub> $V_{gs}$	- -1.5V
Q41 <sub>b</sub>	M32-6	- 0V
	Q45 emitter	- -0.75V
	M27 $I_{in}$	- 150 $\mu$ A
	M27 $I_{out}$	- 300 $\mu$ A
	Q41 <sub>b</sub> $V_{gs}$	- -1.5V

Amplitude Error:

M23-6	- zero
-------	--------

The Amplitude Error adjusts the 'on' resistance of Q41<sub>a</sub> and Q41<sub>b</sub> differentially, due to the inverter M32 in the side feeding Q41<sub>b</sub>. In the case of a positive  $V_G$  of about 0.5V:

Q41 <sub>a</sub>	Q46 emitter	- -0.25V
	M26 $I_{in}$	- 50 $\mu$ A
	M26 $I_{out}$	- 100 $\mu$ A
	Q41 <sub>a</sub> $V_{gs}$	- -0.5V (more conduction)
Q41 <sub>b</sub>	M32-6	- -0.5V
	Q45 emitter	- -1.25V
	M27 $I_{in}$	- 250 $\mu$ A
	M27 $I_{out}$	- 500 $\mu$ A
	Q41 <sub>b</sub> $V_{gs}$	- -2.5V (less conduction)

The output voltage at M23-6 is in the same phase as  $V_{coswt}$ , increasing with larger amplitude error.

For a negative  $V_G$ , M23-6 output voltage assumes the same phase as the  $-V_{coswt}$  signal, increasing with larger amplitude error.

Transistors Q45 and Q46 act as voltage-to-current converters to drive the 'x2' current mirrors M27 and M26. Voltage reference diodes D20 and D22 provide the crossover bias. D21 and D23 provide clamping when Q45 and Q46 bases are driven positive, preventing  $V_{be}$  breakdown.

M23 output (now recognized as 'B.coswt') is summed with the basic oscillator feedback ( $V_{sinwt}$ ) at the main inverter input (M15-5). When the amplitude is correct, and the loop phase is exactly 360°, M23 output is zero and does not inject any 'cos' component into the loop.

If the loop gain or phase is in error, then the squarers' output current is not equal to the reference current,  $V_G$  is not zero, and a small amount of cos component is fed into the loop. This adjusts the loop phase and gain to correct the oscillator amplitude.

### 8.3 EXTERNAL FREQUENCY LOCK

The External Frequency Lock allows the instrument output to be synchronized with an external reference frequency of either 1MHz or 10MHz (a tolerance of  $\pm 1\%$  on these frequencies is specified).

The main use envisaged for this facility is for a user to improve on the  $\pm 100\text{ppm}$  frequency accuracy of the instrument, by locking the internal frequency synthesizer to a customer's own frequency standard.

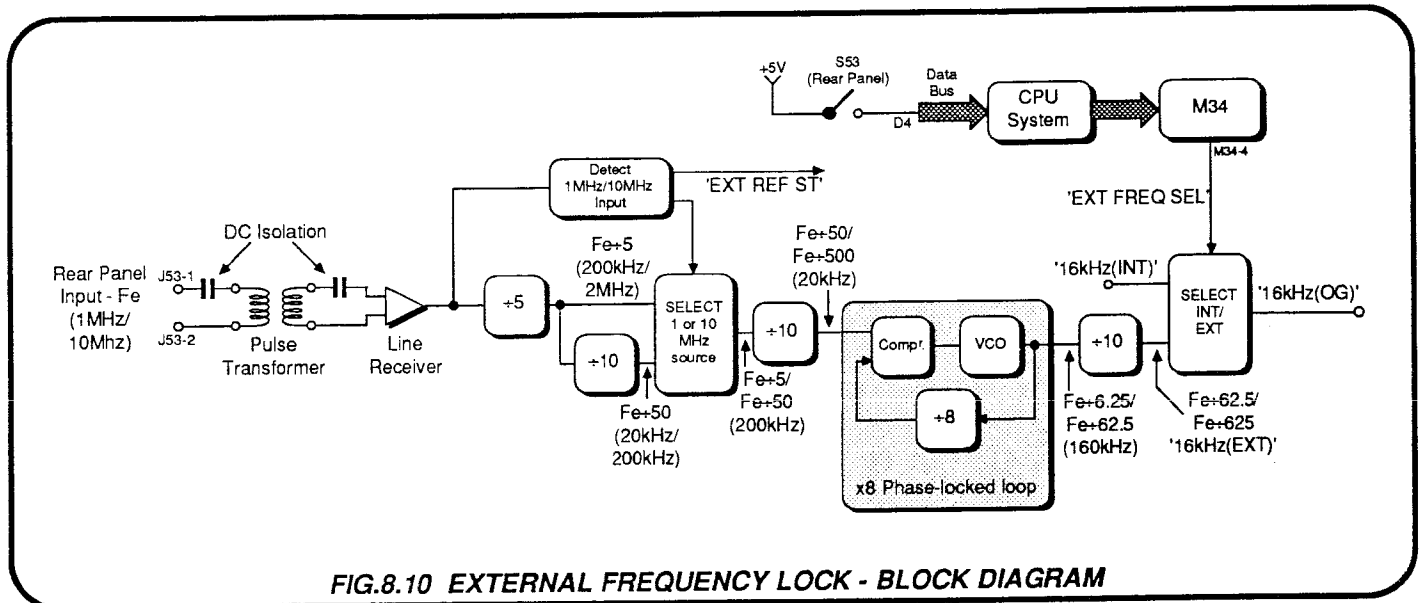


FIG.8.10 EXTERNAL FREQUENCY LOCK - BLOCK DIAGRAM

#### 8.3.1 INTRODUCTION

The output sinewave frequency is synthesized in the Sine-Source assembly, normally synchronized to an internally-generated reference frequency of 16kHz. To lock the output to an external reference, it is necessary only to divide the frequency of the reference down to 16kHz and use this instead of the internal reference. The circuitry described in this sub-section is shown in block form in Fig. 8.10 and carries out the following functions:

- Isolates, limits and buffers the input reference signal to TTL levels.
- Divides the input frequency 'Fe' by 5 and then by 10 (Fig. 8.10).
- Detects whether the Fe is 1MHz or 10MHz; from this it sets the selector to choose either its +5 or +50 input, to give an output of 200kHz. The detector sets the status signal 'EXT REF ST' to Logic-1 whenever either of the two signals is present.
- Divides the selector output by 10, then multiplies by 8 in a phase-locked loop, finally dividing by 10 again to 16kHz to give the signal '16kHz(EXT)'.
- Selects either '16kHz(INT)' or '16kHz(EXT)' in response to the position of the Rear Panel switch S53, and to the presence of a 1MHz or 10MHz External Reference signal. The selected signal '16kHz(OG)' is transferred into guard by opto-isolator M3 on the Reference Divider assembly, and thence as 'REF FREQ' to the digital frequency synthesizer on the Sine Source assembly.

#### 8.3.2 EXT REF SIGNAL INPUT

(Circuit Diagrams: 430830 Page 11.17-2;  
430604 Page 11.16-4;  
430648 Page 11.3-4.)

The External Reference signal of 1MHz or 10MHz enters the instrument via pins 1 (Hi) and 2 (Lo) of Rear-Panel connector J53 on the Interconnection assembly (page 11.17-2). It is transferred via J18 and J3 on the Mother assembly (page 11.16-4) to the buffer input circuit on the Analog Interface assembly (page 11.3-4).

C59 and R1 remove any DC components of the signal; and R15, D1 and D2 limit its excursions to approximately  $\pm 0.7\text{V}$  before it is applied to the pulse transformer T1.

The output from T1 drives line receiver M9, C62 setting the DC offset to zero, and R16 providing some noise-immunity.

### 8.3.3 DIVISION CHAIN

#### 8.3.3.1 '+5' and '+10' Counters M11

The line receiver output at TP24 clocks the +5 section of M11 counter. Its frequency is reduced to either 200kHz (for 1MHz input) or 2MHz (10MHz input), and this signal is used to clock the second (+10) section of M11. This section (and the other two +10 counters M28) is connected as a 'bi-quinary' divider to establish a symmetrical mark/space ratio. The frequency at M11-13 is either 20kHz (for 1MHz input) or 200kHz (10MHz input). The outputs from both counters are fed to the dual 4 into 1 line selector M18, which always chooses the 200kHz signal.

#### 8.3.3.2 'EXT FREQ SEL'

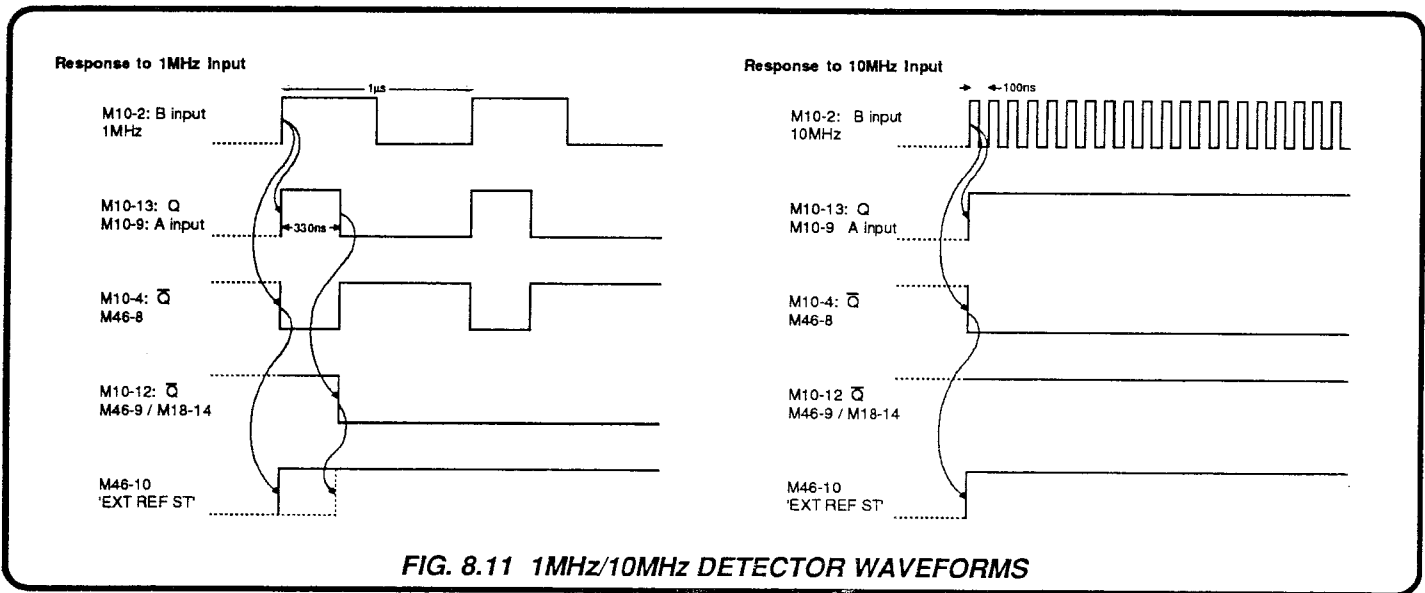
When S53 on the rear panel is closed to select External Reference, +5V from S53 enters the Digital assembly at J2-25 (page 11.2-2), setting line D2 on the Data bus to Logic-1 each time that M36 is enabled by any IRQ (ie. every 8ms in response to the internal signal RTC IRQ para 6.1.2.6). The CPU passes the information to the External Reference Buffer on the Analog Interface assembly via the Precision Divider Input Data Latches. The state of S53 is repeated at M34-4 (page 11.3-1) and input to M18-2 (B) to set M18 outputs.

#### 8.3.3.3 1MHZ/10MHZ Detector M10

The state of the other input to M18 at M18-14 'A' depends on the frequency of the external reference signal at TP24, which is used to clock M10-2 'B'. Each positive-going edge triggers the first (330ns) monostable, initially setting M10-13 to Logic-1 (Fig. 8.11).

If the frequency is 1MHz, M10-13 times out and returns to Logic-0 before the next 1MHz trigger arrives, thus providing a train of negative-going triggers for the second (5.7µs) monostable at M10-9. The first negative-going edge sets M10-12 to Logic-0, but in this case each succeeding retrigger arrives before the monostable has timed out, and so M10-12 remains at Logic-0. The output from M10-12 drives M18 control input M18-14 (A).

If the frequency is 10MHz, M10-13 (330ns) cannot time out before the next retrigger arrives at M10-2, so it remains at Logic-1. No negative edges appear at M10-9 to trigger M10-12 to Logic-0, so the control input to M18-14 remains at Logic-1 as shown in Fig 8.11.



### 8.3.3.4 M18 Frequency Selections

The input sources to M18-10/11/12/13 are switched to M18-9 according to the following table. The *italicized* frequencies cannot

be obtained because it is **frequency** which controls the A input to M18:

Reference Frequency	'EXT FREQ SEL' M18-2 (B)	1/10MHz Detect. M18-14 (A)	Source Transferred	M18-12 Frequency	M18-13 Frequency
<b>1MHz</b>	1	∅	M18-12 (2C2)	<b>200kHz</b>	<i>20kHz</i>
<b>10MHz</b>	1	1	M18-13 (2C3)	<i>2MHz</i>	<b>200kHz</b>
<b>No Input, or 10MHz (and Not Selected)</b>	∅	1	M18-11 (2C1)	0V	0V
<b>1MHz (and Not Selected)</b>	∅	∅	M18-11 (2C0)	0V	0V

### 8.3.3.5 Further Division of M18 Output

The 200kHz output from M18-9 is divided by a further +12.5 before it becomes the signal '16kHz EXT'. This is achieved in three stages:

+10 (M28-3); x8 (PLL); +10 (M28-13).

The x10 dividers are connected as bi-quinary counters to maintain the symmetrical squarewave.

### 8.3.3.6 PLL Frequency Multiplier

The Phase-Locked Loop is formed by M30 and M53. The VCO oscillates at a frequency which when divided by 8 (M53-11) phase-locks to the 20kHz present at TP25. At this frequency (160kHz) the error voltage across C30 is a very low amplitude ripple balanced about 0V DC.

The loop can be regarded as a simplified version of the synthesizer VCO, described in *para 8.1.2.4*. The VCO output is low-pass filtered, then buffered and inverted by Q1 which drives the final +10 counter.

### 8.3.4 INT/EXT Reference Selection

The 16kHz (EXT) signal output from M28-13 is a symmetrical squarewave phase-locked to the External Reference frequency at TP27. It is passed into the same selector (M18) which carries out the 1MHz/10MHz and INT/EXT selection of the divided signal input. The 16kHz (INT) signal is also applied to M18. In this case the other half of the dual selector is employed.

The 16kHz(EXT)REF signal from TP27 is input via M18-3 and M18-4, whereas the 16kHz(INT) signal goes to M18-5 and M18-6. Switching between 1MHz and 10MHz (M18-14) has no effect, as the output at M18-7 selects from shorted input lines. The INT/EXT switching by EXT FREQ SEL (M18-2) selects between the two pairs of shorted inputs to give the 16kHz (OG) output from M18-7. This is buffered out via M5-6, J3-104 (*page 11.3-1*) and the Mother assembly to the Sine Source assembly at J6-53 (*page 11.6-4*).

### 8.3.5 'EXT REF ST' (M46)

If no external reference signal is present, both M10 monostables remain permanently in their relaxed (timed-out) state. Thus M10-4 and M10-12 are at Logic-1, both inputs to NAND M46 are Logic-1, so its output (EXT REF ST) is at Logic-∅. For signal frequencies of 1MHz or 10MHz one of the inputs to M46 is at Logic-∅, so EXT REF ST goes to Logic-1.

M46 output is returned to the CPU, being sensed on the data bus line D4 at each RTC IRQ (M37-13 *page 11.2-2*), so the CPU knows whether an external reference signal is present or not. It also knows when S53 is selected, and issues the 'Error EF' message on the MODE Display if S53 is selected but no external reference signal is present. This warns the user that with the external reference facility selected, the VCO in the Reference Buffer is free-running in the absence of a locking signal, and is still the reference for synthesis of the instrument output frequency. The output is thus unlocked both from the user's sync source and from the internal crystal oscillator. This is normally because no external reference has been connected to J53 on the rear panel!





# SECTION 9 AC VOLTAGE OUTPUTS - AMPLITUDE CONTROL SYSTEM

## 9.1 INTRODUCTION

This complex system generates the whole range of AC voltage outputs, as defined by its inputs. For the AC Current function, an AC voltage is derived from the internal voltage amplitude loop on

the 1V or 10V range to act as an accurate reference. Thus the following description applies also to the generation of that reference.

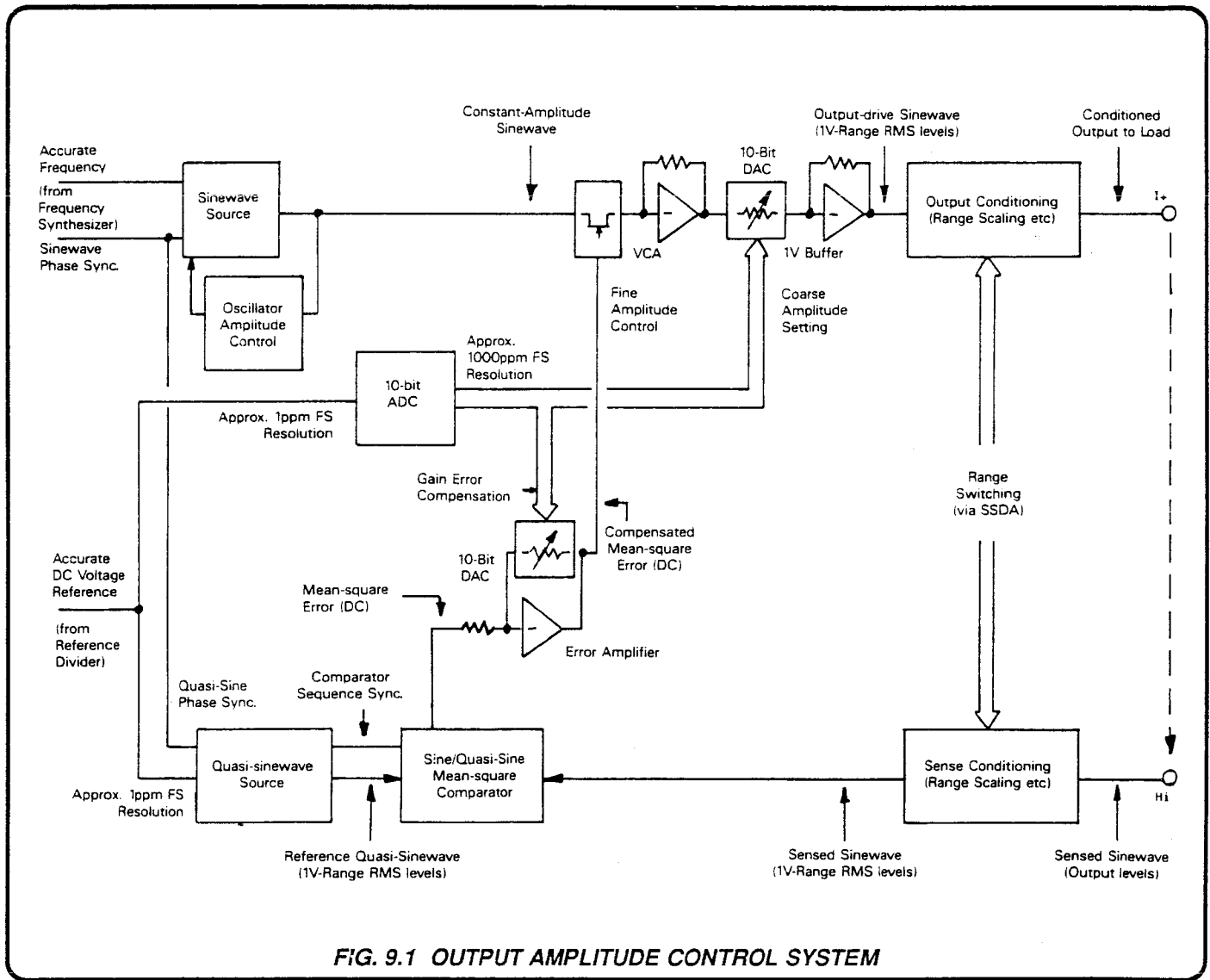


FIG. 9.1 OUTPUT AMPLITUDE CONTROL SYSTEM

Feature of Output	Controlling Element	Controlling Input to Loop
Frequency:	Frequency Synthesizer (Crystal-Sourced)	Constant-amplitude sinewave from Quadrature Oscillator
Sinewave Purity:	Quadrature Oscillator	Constant-amplitude sinewave
Voltage Range:	Processor, via SEDA and Control Latches	Ranging Signals
Coarse Amplitude:	Reference Divider	Accurate DC Reference Voltage (Resolution reduced to approx. 1000ppm FS by 10-bit DAC)
Fine Amplitude:	Reference Divider and Quasi-sinewave Generator	Quasi-sinewave RMS value at a resolution of approx. 1ppm FS

## 9.2 AC VOLTAGE AMPLITUDE CONTROL SYSTEM - BLOCK DIAGRAM

(Fig. 9.1)

The system elements are described individually in the five sub-sections from 9.3 to 9.7. The system block diagram at Fig. 9.1

throws clear of the handbook, so that it can be used for reference when reading these descriptions.

### 9.2.1 FREQUENCY and WAVESHAPE CONTROL

Sinewave sourcing is the subject of *sub-sections* 8.1 (Frequency Synthesizer) and 8.2 (Quadrature Oscillator). The result is a high-purity sinewave of constant 1.9V amplitude, input to the VCA.

### 9.2.2 OUTPUT RANGING

The microprocessor passes Voltage and Current range selections into guard via the serial data link as described in *sub-section* 6.4.

This range information is held in the Analog Control latches in the Reference Divider Assembly, providing signals to the Output and Sense conditioning circuitry.

Their effects are described in *sub-sections* 9.4 to 9.6.

### 9.2.3 COARSE AMPLITUDE SETTING

The 1V Buffer also acts as a coarse amplitude control within each range. The value of its input resistance is adjusted to control its gain, which is incremented in steps of approximately 1000ppm of Full Scale by a 10-bit digital-to-analog converter.

The increments are defined by a 10-bit analog-to-digital converter, which responds to the accurate DC Reference voltages generated by the Reference Divider. The value of the 'DC Ref' voltage is proportional to the values set on the front panel OUTPUT display, as described in *sub-section* 6.5.

This coarse adjustment of output amplitude allows the fine control element (the VCA) to operate within a small dynamic range, minimizing introduced distortion and thus maintaining the high purity of the output sinewave. The operation of the coarse amplitude control is described in *sub-section* 9.3.

### 9.2.4 FINE AMPLITUDE CONTROL

#### 9.2.4.1 Error Loop

The output amplitude is controlled within the coarse increments by an 'error' loop. The output is sensed at the load for 4-wire connections, or at an internal point in the forward path when 2-wire connection is selected (or imposed).

The sensed output is reduced to 1V Range RMS levels by the Sense Conditioning circuitry (as described in *sub-sections* 9.4 and 9.6), and its mean-square value is compared with that of the Reference Quasi-sinewave. The difference between the two values is expressed as a DC error, and fed to control the gain of the VCA.

Because the coarse amplitude control adjusts the error loop gain, and the error itself results from comparison with an amplitude analog, the gain of the error loop would not naturally be constant. Compensation is therefore applied to the error to reduce the loop gain in synchronism with increasing increments of coarse amplitude. (The Error Amplifier feedback resistance is reduced by a second DAC in step with the coarse amplitude ADC. The result is that the loop gain, and therefore the loop dynamics, are virtually linear.)

Details of VCA operation and error compensation are described in *sub-section* 9.3.

#### 9.2.4.2 Mean-Square Comparator

When a value is set on the OUTPUT Display, it describes the RMS value of the output. From the displayed value the Reference Divider generates an accurate DC Reference voltage (stepping in increments of approximately 1ppm of Full Scale), which results in a quasi-sinewave whose peak voltage has the same value. (Thus at 1V Full Range output, the DC Reference voltage and the quasi-sinewave peak voltage are both 1.397V.)

The Crest Factor for any wave is defined as its Peak value divided by its RMS value. For a pure sinewave the figure is  $\sqrt{2}$  (say 1.414), whereas the quasi-sinewave crest factor is 1.397. So for the same RMS value of 1V Full Range output, the quasi-sinewave input to the comparator has a peak value of 1.397V, against the sense feedback peak of 1.414V. The comparison is between mean-square rather than RMS values, but when the mean-square difference is zero, so is the RMS difference.

Generation of DC Reference voltage and Quasi-sinewave are described in *Section* 6.

#### 9.2.4.3 Synchronization

The comparator is based on a sequence of squaring, integration, sampling and subtraction. Its operation and accuracy rely heavily on the synchronism of sinewave and quasi-sinewave, each state-change in the sequence occurring at zero-crossings of both waveforms. Thus both waveforms synchronize to clocks from the synthesizer, even when the sinewave is at a multiple of the quasi-sinewave frequency. The comparison sequence cycles once every ten quasi-sinewave periods.

Comparator operation and synchronization details are described later in *sub-section* 9.7.

## 9.3 VOLTAGE CONTROLLED AMPLIFIERS

(Circuit Diagram 430446, page 11.6-3)

The circuits described in this section perform the following functions:

- Modify the output of the Sine Source by coarsely tracking the gain of the output amplitude to the requested output voltage, providing stepped coverage of the instrument's dynamic range.
- Provide smooth adjustment of gain, within the coarse steps, in response to error signals from the Sine/Quasi-Sine Comparator.
- Impose the settling rate of the true analog DC reference voltage on both the coarse gain adjustment and the mean-square error (AC AMPL ERROR) scaling.
- Sense excess currents in the output buffer, providing a LIM ST signal to the CPU via the analog control interface.

All the circuits described in this section are located on the Sine Source Assembly. On the circuit diagram, two voltage-controlled amplifiers are shown:

- The 1 Volt Buffer (M45, M46 and the discrete output amplifier). Its input resistance is controlled by the DAC M43.
- The main VCA M48/Q88, whose input resistance is determined by the FET chain Q76 and Q77.

For a general description of the Output Amplitude Control System refer to *sub-sections 9.1 and 9.2*.

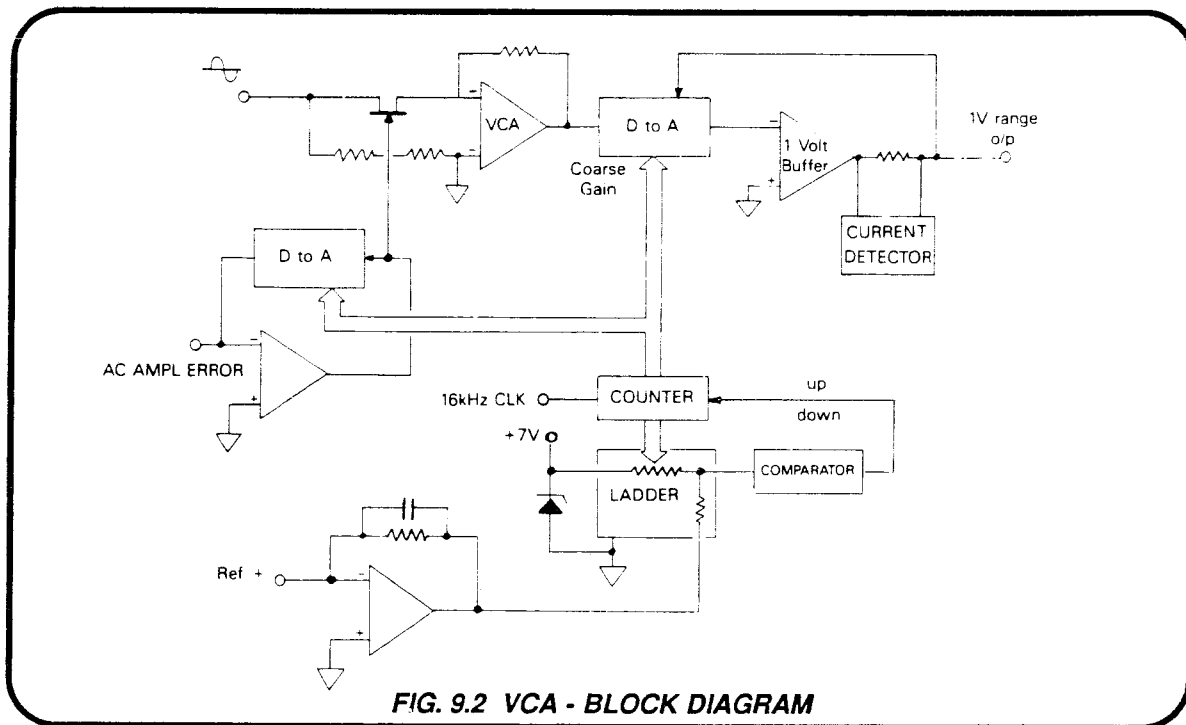


FIG. 9.2 VCA - BLOCK DIAGRAM

### 9.3.1 GENERAL (Fig. 9.2)

The main VCA receives a constant amplitude sinewave input from the Quadrature Oscillator (Sect. 8). Its gain is controlled by an error voltage, which is obtained by comparing the sensed sinewave output of the instrument with the reference quasi-sinewave.

The 1 Volt Buffer is included in the output signal path on all voltage and current ranges. It also acts as a VCA, since its input resistance is controlled by its 10-bit Digital-to-Analog Converter. The DAC receives its binary input from an Analog-to-Digital Converter, whose numerical output tracks the user's output demand, in increments of size approximately 1000ppm of full scale.

It is also necessary to ensure that the rate of coarse gain adjustment tracks the settling-time characteristics of the DC Reference filter. To

achieve this, the ADC is controlled by the level of the DC Reference voltage. The filtered reference's settling time is thus imposed on the ADC digital output, and hence on the 1V Buffer gain adjustments.

For reasons given in *sub-section 9.1*, it is also necessary to compensate the output loop gain error synchronously with the coarse gain steps. The tracking ADC therefore drives a second DAC, which selects values of feedback resistor in the Error Amplifier. This increments the output-amplitude error loop gain, modifying the AC AMPL ERROR signal which originated in the mean-square comparator.

The tracking ADC and its DACs ensure that the loop has the fastest possible settling time for any selected frequency.

### 9.3.1 VCA AND 1V BUFFER

The VCA and 1V Buffer combine in cascade to modify the amplitude of the sine wave output from the sine oscillator, accurately covering the instrument's dynamic range (see Section 9.1 and 9.2). The eventual output from the 1V Buffer (AC 1V FR) forms the instrument's basic 1V AC range.

#### 9.3.1.1 Main Voltage-controlled Amplifier

(Circuit Diagram 430446 Pages 11.6-1 & 11.6-3).

The Sine Oscillator output from +2 buffer M47 (page 11.6-1) is emitter-followed by Q75 to the VCA FET input chain Q76/Q77 (page 11.6-3). These dual FETs are enclosed with M47 PTC feedback resistors R136 and R137, in a metal heatsink. The matched FETs Q76/Q77 ( $R_{DS\ ON}$  within 1%) form the variable gain element for the low input-offset amplifier M48, to provide distortion-free and linear control of gain.

Each FET gate is current-bootstrapped from the divider AN18, to maintain a linear relationship between gain and input voltage. C106 and C117 drive the chain at HF. The center of the FET chain is also bootstrapped, M44 ensuring precise AC tracking. Resistors R143 and R135 divide and limit the maximum input resistance, preventing the gain from falling to zero.

#### 9.3.1.2 The 1V Buffer

The buffer consists of a voltage follower with hard current limiting. Amplifiers M45 and M46 buffer the Class A power stage from the capacitance of the input DAC. The first buffer M45 has extremely high DC gain, rolling off at HF due to the feedback of C108. It removes the input DC offsets of M46.

M46 controls the buffer's AC performance; C112 ensures that the non-inverting input appears as a virtual AC ground at HF, allowing source-follower Q74 to develop the AC input across R159.

The discrete output stage provides class A current amplification, avoiding any cross-over distortion particularly at HF. Power transistor Q93 is provided with load and quiescent currents, from constant-current source Q94 (70mA) and constant-current sink Q86 (140mA). Refer to Fig. 9.3.

With zero input conditions Q94 is saturated, limiting the quiescent current at 70mA. Only the small bias current for Q92 flows in R144, so the output voltage is just +Vb.

The input signal to Q92 controls Q93, allowing a small signal transistor with good HF performance to adjust the large output currents flowing in R144.

Voltage amplifier Q92 conduction falls during positive half-cycles of input, reducing Q93 conduction. The quiescent current still flows in Q94, but part is now diverted through the output circuit via R144, R112 and L7.

During negative half-cycles of input; Q92 conduction increases, so Q93 conducts more heavily, drawing its extra (load) current through R144, and its quiescent current from Q94. The emitter of Q92 also attempts to go negative, drawing current directly from the load. The combined currents flow into the current sink, so Q86 must be able to sink 70mA quiescent + 70mA load.

The VCA gain is adjusted by the 'AC AMPL ERROR' signal, scaled by M41 and M42. The coarse gain scaling of the 1V buffer derives from the DC Reference voltage 'Ref+'.

The thermal linking to M47 feedback resistors compensates for the FET chain temperature coefficient. The inertia of the heatsink's thermal time-constant also prevents gain modulation due to draughts.

The DC signal 'AC AMPL ERROR' is scaled and then fed to each gate by transistors Q78 to Q81, which have low collector capacitance. The voltage control element formed by these transistors adjusts the DC gate voltages of the FETs in the chain, and hence the input resistance of the VCA.

M48 output is emitter-followed and passed through DC-isolating (and AC-compensating) capacitors C121 and C122 into M43, the 1V buffer DAC.

In the output line, inductor L7 and resistor R112 provide phase compensation for capacitive loading at HF.

If any components in the discrete amplifier are changed, re-adjustment of gain (using M48 feedback resistor R149) may be necessary.

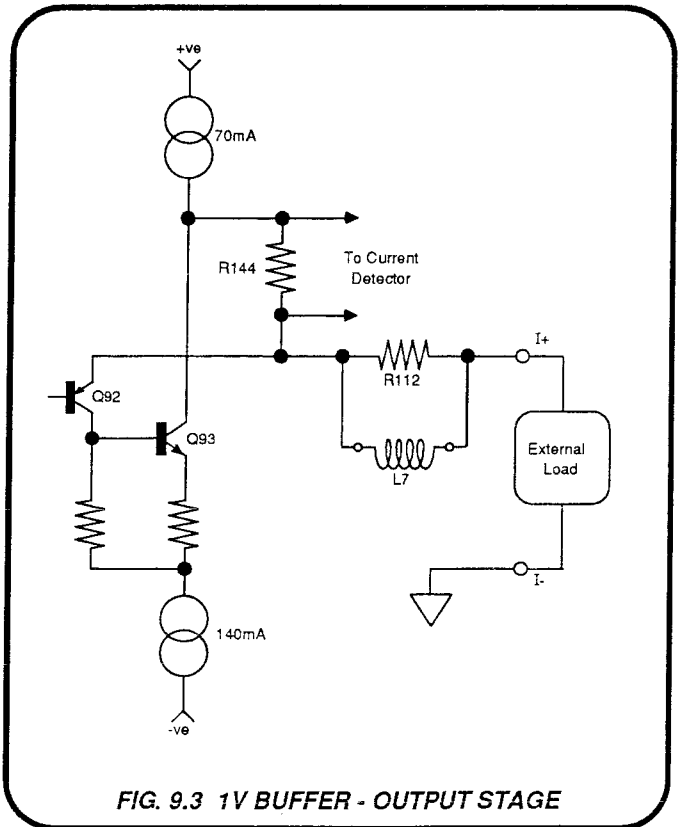


FIG. 9.3 1V BUFFER - OUTPUT STAGE

### 9.3.1.3 Current Detector

Except for a small bias current, all output current from the discrete buffer stage flows in R144, so the current level can be detected by sensing the differential voltage across it. This sense voltage rides on the output voltage; thus to capture it, the current detector is bootstrapped to the AC 1V output.

High-speed dual comparator M49 forms the basis of the Current Detector circuit. Its supplies are bootstrapped via TP29 to the junction of R144 and R112 in the 1V Buffer output. Q82 and Q84 provide constant current drive to 6.2V Zeners D40 and D41, with Q83 and Q85 providing the regulation for the bootstrapped rails at TP35 and TP36.

The comparator latching levels are set by dividers R151/R152 and R153/R154, their values allowing for bias current error in R144. The comparator's output is open-collector when the peak voltage across R144 is less than the positive or negative latch level. Line drivers Q90 and Q91 are cut off, so the LIM ST line at J6-70 is pulled to +15V by AN2 in the Reference Divider (page 11.4.4).

When the level is exceeded in either polarity, then either M49a or M49b output goes negative. This turns Q90 and Q91 on, pulling the LIM ST line to -15V (in-guard logic-0). The signal is passed to the CPU via the serial data link.

This limit is set much lower than the hard current limit of the buffer. If exceeded, the instrument displays 'Error OL', described in Section 2 (Fault Diagnosis). In overload at 35-40mA, a built-in margin of safety allows the instrument to meet most of its specifications.

### 9.3.2 ADC - DAC TRACKING

As mentioned earlier, it is necessary to track the coarse gain stepping rate to the settling time imposed by the DC Reference filtering. A tracking Analog-to-Digital Converter (ADC) is used to synchronize stepping, ensuring the fastest possible settling time at the selected frequency.

To set circuit conditions for the required output within a range, the gain of the main VCA is set in response to fine amplitude information, in the form of an error signal from the Sine/Quasi-Sine comparator. For constant output amplitude loop gain, the error loop gain also needs to track the coarse amplitude stepping.

For an outline of the Output Amplitude Control System, refer to the descriptions in sub-sections 9.1 and 9.2.

#### 9.3.2.1 Use of 'REF+' (Circuit Diagram 430446 page 11.6-3)

The ADC requires a voltage input which tracks the value of instrument AC output demanded by the user, with settling times imposed by the Reference filter. The DC 'REF+' voltage exhibits these characteristics, so is used in this circuit to determine the numerical value of the ADC binary output.

'REF+' originates in the Reference Divider and is used to set the peak value of the quasi-sinewave in the AC assembly. Its value ranges from +0.126V at 9% of Full Range, through +1.397V at Full Range, to +2.794V at Full Scale.

REF+ is input to the Sine-Source assembly at J6-57 and J6-56, then applied to amplifier M41b, which is connected to remove any common mode present at its input. Thus at TP47, M41b output is referred to Common-2A.

Capacitors C99, C130 and C131 filter any HF pickup from the reference voltage, and M41b scales up the DC voltage levels by a factor of 2.43, to:

9% of Full Range	: -0.306V,
Full Range	: -3.395V,
Full Scale	: -6.789V.

A fixed positive version of this Full Scale value is also generated (Q66/D30/D31) as a reference for the tracking ADC M38 at M38-27.

#### 9.3.2.2 Tracking ADC M38 (Fig.9.4)

M38 is a 'System DAC' which can be employed either in 'READ' or 'WRITE' mode. WRITE mode is not used for this function.

In READ mode the binary count can be output continuously from the ten pins DB<sub>9-0</sub>. An internal 10-bit counter is clocked at 16kHz into pin 9 via level shifters Q53 and Q54. The counter can be controlled by two level-sensitive inputs: CONT 1 and CONT 2 (logic-1 = +5V; logic-0 = 0V) as follows:

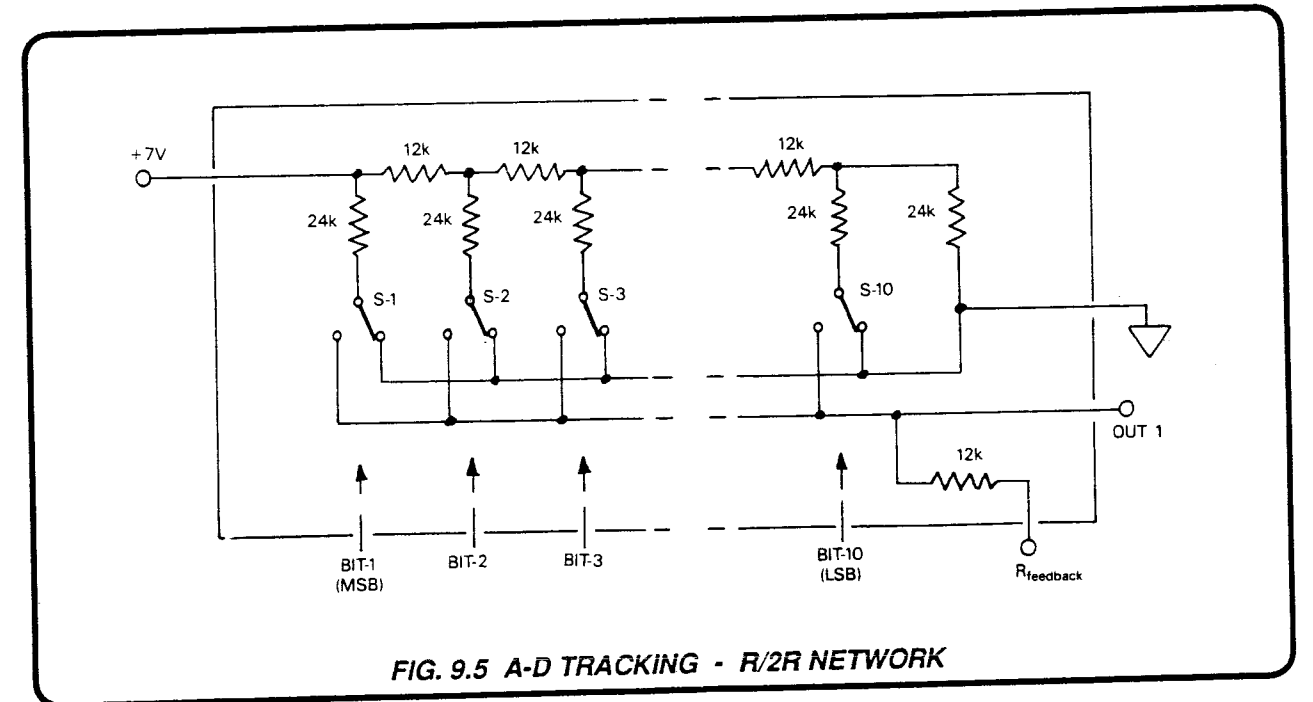
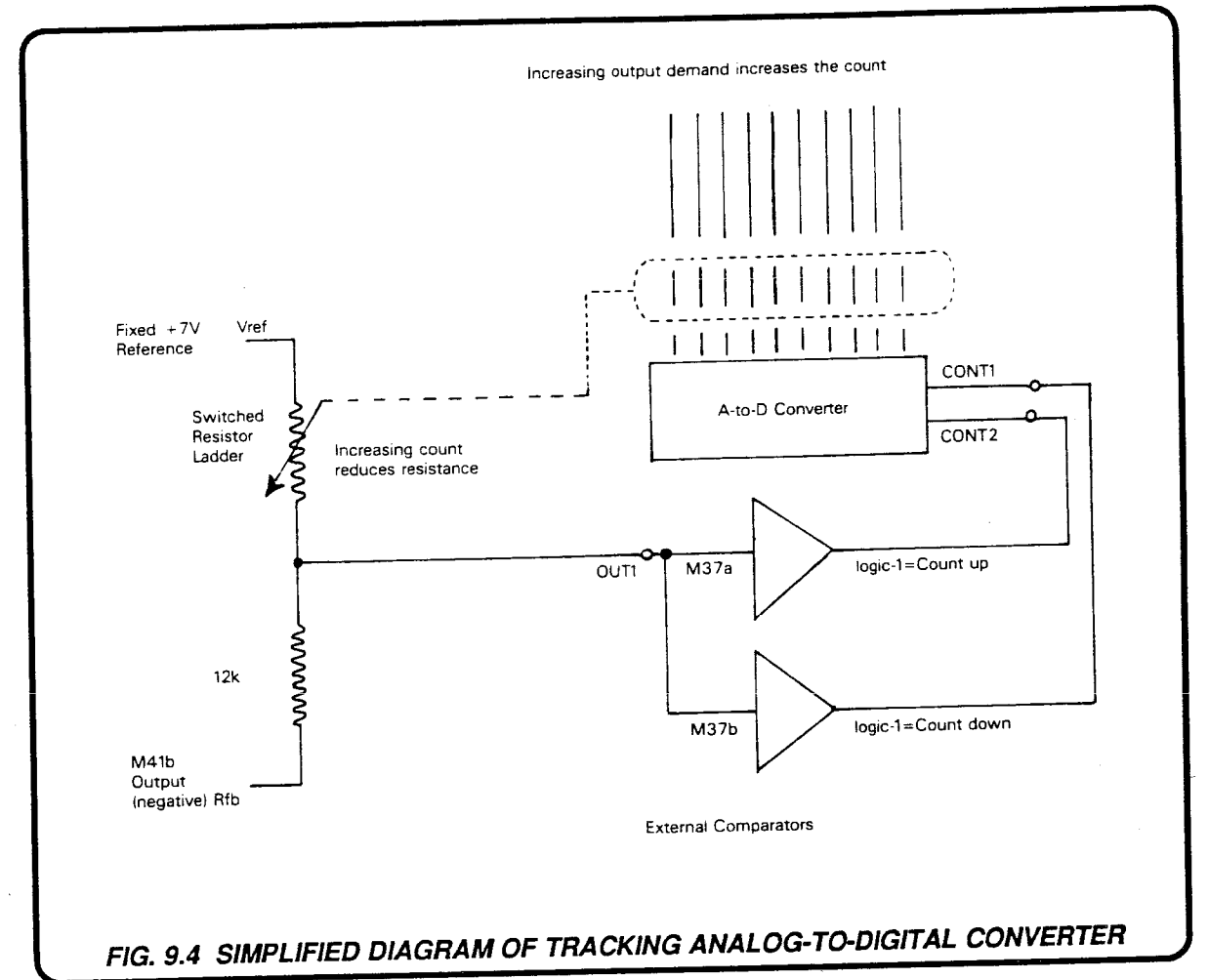
CONT 1	CONT 2	Effect on Count
0	0	not used
0	1	Incremented
1	0	Decrement
1	1	Frozen

An internal 12kΩ reference resistor and switched resistor ladder form a divider between pin 27 (V<sub>REF</sub>) and pin 1 (R<sub>FB</sub>). Their junction is brought out to pin 2 (OUT 1). (See Figs. 9.4 and 9.5.)

The ladder is switched by the 10-bit counter. At zero count it is open-circuit; as the count is increased the ladder resistance reduces in inverse proportion, until at full count of 2<sup>11</sup> - 1 (corresponding to the instrument Full Scale output), it reaches its minimum of 12kΩ.

At Full Scale (FS) the M41b output voltage is -6.789V, into R<sub>FB</sub>, and the fixed reference into V<sub>REF</sub> is the positive version of this input, so at FS the OUT 1 voltage is balanced at zero.

For instrument output values below FS, the negative M41b output voltage is linearly reduced, so that the OUT 1 voltage tends to increase positively. By feeding an external comparator which drives the CONT 1 and CONT 2 counter controls, the OUT 1 voltage is used to provide automatic control of the count itself. In the case of a reduced output demand, a lower count is required to increase the resistance of the ladder, resetting OUT 1 to the zero balance.



### 9.3.2.3 Window Comparator

M37 is a high-speed dual comparator, which accepts OUT 1 as its input voltage, and controls the M38 counter via its CONT 1 and CONT 2 inputs. The 'Counter Freeze' condition of M38, resulting from both CONT inputs being at logic-1, allows hysteresis bias to be applied the comparator to create a 'Dead Band' window.

Each of the two outputs of M37 responds to its input in the same way: high impedance when its non-inverting input is more positive than its inverting input, and pulled low when the inverting input is more positive (uncommitted-collector).

M37a is connected as a non-inverting device, but M37b inverts its input. OUT 1 is input to both circuits. Both inputs are biased by approximately 15mV to generate the dead-band hysteresis: M37a by R96/R98, M37b by R100/R101.

### 9.3.2.4 Action for OUT 1 = Zero

Because of the bias, both M37 outputs are pulled low when the voltage at OUT 1 is zero. The inverting level-shifters Q67 and Q68 are both cut off by -15V on their gates, so CONT 1 and CONT 2 are at logic-1. M38 is thus put in the 'Freeze' condition, so its 10-bit output value is held.

In this condition, M36-12 and M36-13 inputs are both at -15V, so M36-10 is also -15V. R99 is therefore placed in parallel with R100, increasing the bias on M37b. The bias on M37a is also increased by Q69 being cut off, placing AN11 and R97 in parallel with R96. The 'Freeze' window is therefore widened, to improve the comparator's noise rejection. (Refer to Fig. 9.6.)

### 9.3.2.5 Action when OUT 1 Voltage Changes

When a user demands a new (greater) output from the instrument, REF+ increases as the Reference filter settles, and the OUT 1 voltage becomes more negative. The bias on M37b is eroded and finally exceeded, so M37-7 is placed at high impedance, pulled up to Common-2C by AN13. Q67 conducts setting CONT 1 to logic-0, which increments the count to step up the gain in the 1V Buffer.

Simultaneously, M36-12 is set to 0V (in guard logic-1). M36-10 rises from -15V to 0V, switching R99 to shunt R101 instead of shunting R100. Q69 conducts, switching R97 to shunt R98 instead of shunting R96. The bias levels shift back to 15mV, narrowing the hysteresis window.

If the user had demanded a lower output, OUT 1 would have become more positive, exceeding M37a bias. CONT 2 would have fallen to logic-0, decrementing the counter and reducing the 1V Buffer gain. The effect on the comparator bias would be the same as for the incrementing case.

As the counter changes its numerical value, M38's internal resistance ladder is switched to back-off the OUT 1 voltage. When REF+ finally settles, the OUT 1 voltage once again enters (and widens) the comparator's dead band. The count freezes, and the 1V Buffer gain remains constant.

Thus the OUT 1 voltage remains close to zero as the comparator and tracking ADC have a sensitive response to the variations of REF+; but once settled, the wider hysteresis window prevents the comparator from responding to noise.

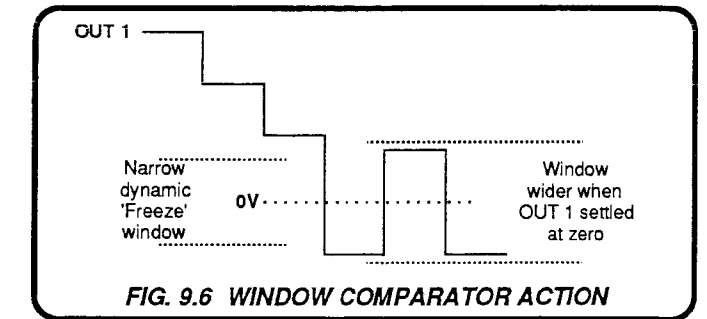
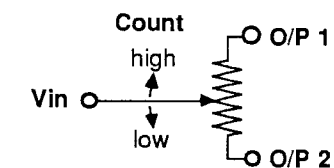


FIG. 9.6 WINDOW COMPARATOR ACTION

### 9.3.2.6 10-bit Digital-to-Analog Converters

M42 and M43 binary inputs are identically connected, so they both behave in the same way:



For low counts the resistance between Vin and O/P 1 is large, and small between Vin and O/P 2. The condition is incrementally reversed as the count increases to high values.

#### M43

As we have seen, an increase in user output demand increases the DC Reference voltage REF+, so a higher ADC count results. This reduces the resistance between M43 pins 15 (Vin) and 1 (O/P 1), and increases the resistance between Vin and O/P 2; increasing the gain of the 1V Buffer and thus increasing the instrument output. This is the stepped coarse gain adjustment referred to in sub-section 9.2.

#### M42

M42 has a different function. The fine adjustment of output value is incorporated in the 'Gain Error Loop', in which the output sinewave and quasi-sinewave are compared. This comparison generates the 'AC AMPL ERROR', to be used in controlling the VCA gain.

The error loop thus also passes through the 1V Buffer, and the effect of an increase in ADC count would be to increase the error loop gain, possibly overloading the VCA input FETs. This is prevented by reducing the gain of the error amplifier M41a, using M42 to track the steps of the coarse gain adjustment.

With an increase of the ADC count, M41a feedback is increased, as the resistance between M42 pins 15 and 1 is reduced. This reduces the error loop gain to compensate for the increase due to M43. Thus the fine gain remains virtually constant over the full span of coarse gain adjustment.

## 9.4 AC LOW VOLTAGE LOOP

The circuits described in this section perform the following functions:

- Connect the VCA (1V buffer) output to the instrument's terminals to provide the **AC 1V Range: 0.09V to 2V**.
- Amplify the VCA output voltages and connect to the terminals for the **AC 10V Range: 0.9V to 20V**.
- Passively attenuate the basic AC 1V range voltages to provide the millivolt range outputs:
  - 9mV to 200mV** on the **AC 100mV Range**
  - 0.9mV to 20mV** on the **AC 10mV Range**
  - 90 $\mu$ V to 2mV** on the **AC 1mV Range**
- Sense the voltages at the output terminals (or at the load in Remote Sense) and scale the signal to the 1V RMS Full-Range level for comparison with the quasi-sinewave.

- Provide switching of AC voltage output, Range, Guard and Sense, under the control of signals from the Analog Control Interface.
- Detect excess currents in the output circuit, providing a status signal to the CPU via the Analog Control Interface.
- Detect excess voltages on the PHi (I+) output line, providing a status signal to the CPU via the Analog Control Interface.
- Switch the generated 10V range to the model 4600 analog control bus, as described in section 7.3.8. For clarity, these connections have been omitted from Fig 9.7

The circuits in this section are located as follows:

Millivolt attenuator and sensing: AC Assembly.  
 Power amplification: Power Amplifier Assembly.  
 Output control: DC Assembly.  
 Output Terminals: Mother Assembly.  
 Terminal Board.

A simplified block diagram of the low voltage loop and routing appears in Fig. 9.7.

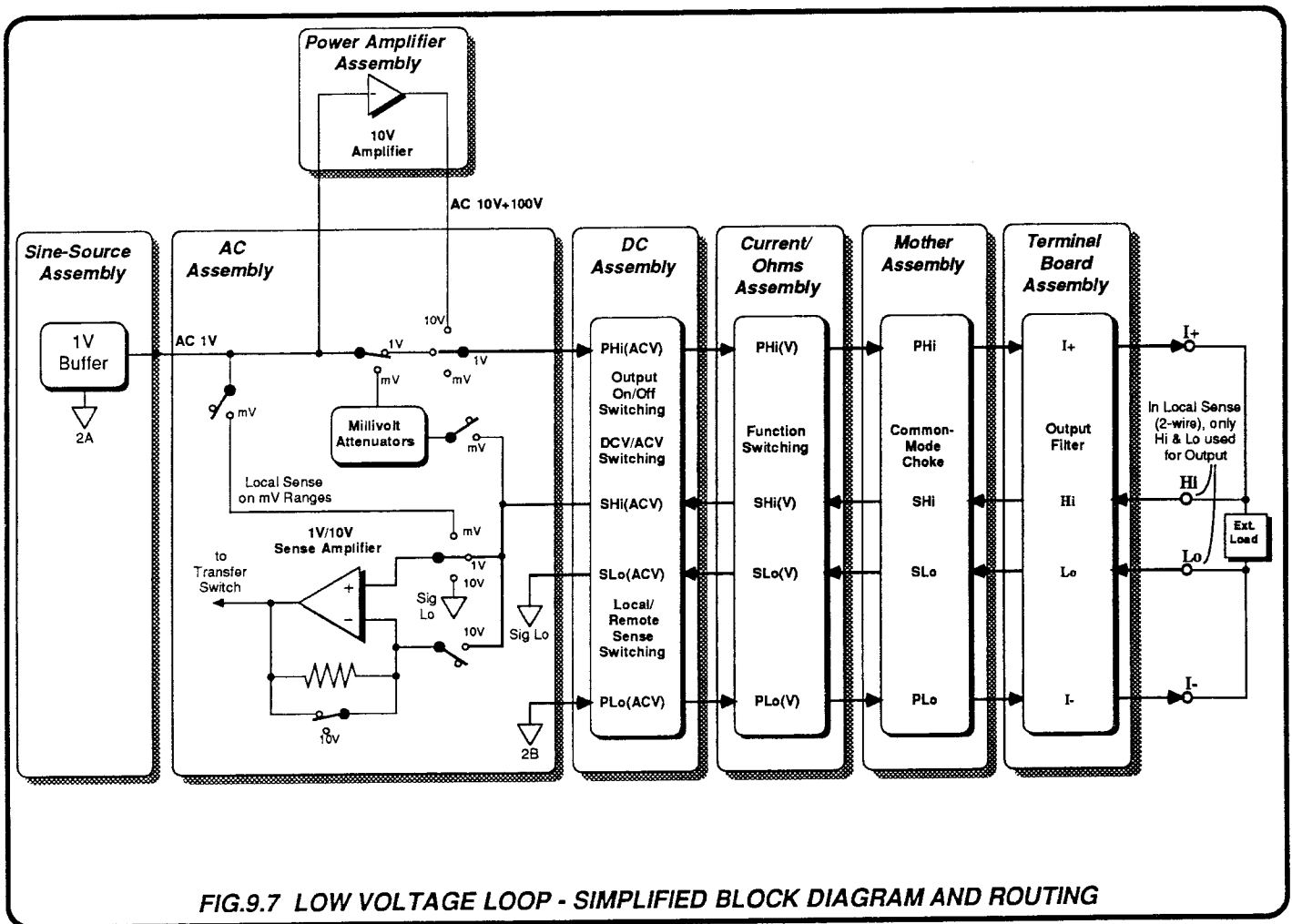


FIG.9.7 LOW VOLTAGE LOOP - SIMPLIFIED BLOCK DIAGRAM AND ROUTING

---

## 9.4.1 GENERAL

The following description follows the 1V range path from the VCA buffer to the Sine/Quasi-Sine Comparator (at the input of the transfer switch M16). The 10V and millivolts outputs and sense conditioning are included, the outputs also being sourced from the 1V Buffer.

On the circuit diagrams, the relay contacts are shown in the un-activated condition.

For High Voltage output and High Voltage sense attenuation refer to *Sections 9.5 and 9.6.*

---

## 9.4.2 1V LOOP - POWER DELIVERY

### 9.4.2.1 Sine-Source Assembly

(Circuit diagram 430844 *Page 11.6-3*)

The 1V Buffer (*page 11.6-3*) is described in *sub-section 9.3*, as part of the output amplitude control circuitry. Its output sinewave, signal 'AC 1V' ranging between 0.09V and 2V RMS; is fed out of the Sine-Source assembly on J6-41, via the Mother assembly, and input to the AC assembly on J7-41 (*page 11.7-1*).

### 9.4.2.2 AC Assembly

(Circuit diagram 430663 *Page 11.7-1*)

With the 1V Range selected, relays RL7 (1V) and RL19 (1kV) are energized, but relays RL4, 5, 6, 17, 18 and 20 are not. Therefore the AC 1V signal is passed directly out of the AC assembly via RL7, fuse F1, RL19 and fuse F2 to become the Power-Hi signal 'PHI(ACV)' at J7-27.

The power common 'PLO(ACV)' is sourced from the in-guard Common-2 supply at the star-point Common-2B, passing out via the energized contacts of AC Voltage selector relay RL10, to J7-31.

PHI(ACV) and PLO(ACV) travel via the Mother assembly to the DC assembly at J5-25 and J5-29 respectively (*Page 11.5-2*).

### 9.4.2.3 DC Assembly

(Circuit diagram 430536 *Page 11.5-2*)

#### Output Switching

The PHI and PLO (ACV) connections are passed to the instrument output terminals via several relay contacts which provide switching for Remote or Local Sense, Remote or Local Guard, and Output On/Off.

If Option 20 is fitted, the terminal lines are switched for function changes on the Current/Ohms assembly. When Option 20 is not fitted, a Current/Ohms Link PCB (Part No. 410288) is fitted in place of the Current/Ohms assembly. This PCB provides direct connections for the signals, on their route to the instrument terminals.

#### ACV/DCV Switching

For AC voltage outputs, relays RL10 and RL11 are un-energized. The PHI(ACV) line for the 1V range bypasses the 1kV Range current sensing resistors R107 and R108, via contacts 7/10 of the un-energized relay RL13. It then passes directly via TP8, 1A fuse F6, and RL15 contacts (if output is set ON); to the PHI(V) line at J5-19.

When in Remote Sense, the power return line PLO(ACV) is linked from J5-29, via 1A fuses F4 and F3, RL14 and RL15 contacts to become PLO(V) at J5-23.

(For DC voltage outputs, the four ACV lines at J5-25/26/29/30 are disconnected by the Range relays and the ACV relay RL10 in the AC assembly).

---

### 9.4.2.4 Connections to the Terminals

(*Section 7*)

The PHI(V) and PLO(V) lines are routed to the I+ and I- terminals on the front panel exactly as for DC 1V Range outputs.

Descriptions of the processing and routing can be found in the following sub-sections of *Section 7*:

Output On/Off:	7.3.6.2
Remote Sense:	7.3.6.3
Remote Guard:	7.3.6.4
Overvoltage Detection:	7.3.7.2
Output to Terminals:	7.3.8



---

### 9.4.3 AC 1V LOOP - OUTPUT SENSING

The SHI(V) and SLO(V) lines are routed from the Hi and Lo terminals on the front panel exactly as for DC 1V Range outputs.

The processing and routing back to the DC assembly is described in *Section 7, sub-sections 7.3.9.1 to 7.3.9.3.*

---

#### 9.4.3.1 DC Assembly

(Circuit diagram 430536 *Page 11.5-2*)

In normal 4-wire operation (Remote Sense selected) with OUTPUT 'ON' on the AC 1V Range, relays RL14 and 15 are energized; RL10 and 11 are un-energized.

SHI(V) enters from the Mother assembly at J5-20, passing directly through RL15 contacts, TP9 and R98, to J5-26 as SHI(ACV).

SLO(V) travels via RL15 contacts and TP10 to J5-30 as SLO(ACV).

With Remote Sense not selected, relay RL14 is unenergized:  
RL14-9/8 short SHI(V) to the power Hi output PHI(V).  
RL14-2/3 short SLO(V) to the power Lo output PLO(V).

SHI(ACV) and SLO(ACV) are routed from J5-26 and J5-30 via the Mother assembly to the AC assembly.

#### 9.4.3.2 AC Assembly

(Circuit diagram 430844 *Page 11.7-1*)

SLO(ACV) passes via the energized contact of the AC Voltage selector relay RL10, to be referred to the Sine/Quasi-Sine comparator transfer switch common 'SIG LO'.

With the 1V Range selected, relay RL19 ( $\overline{1kV}$ ) contacts are closed, so SHI(ACV) appears at RL19-11 as 'SENSE Hi'. (Refer to the circuit diagram on *page 11.7-2.*)

With the 1V Range selected, relay RL8 (1V) is energized, thus SENSE Hi is applied to the non-inverting input of the Sense Amplifier via R126. RL14 is un-energized as shown, so the inverting input via R115 is referred to SIG LO.

RL3 ( $\overline{100V+1kV}$ ) is energized, connecting the Sense Amplifier output to the Sine/Quasi-Sine comparator transfer switch M16-11 (*page 11.7-3*). The amplifier is described in *sub-section 9.4.4.*

---

### 9.4.4 AC 1V SENSE AMPLIFIER

(Circuit Diagram 430844 *page 11.7-2*)

The same amplifier is used on the 10V, 1V, 100mV, 10mV and 1mV AC Ranges. Its main purpose is to buffer the sense voltage, providing a high impedance input, low DC offset and flat frequency response.

On the AC 1V and millivolt ranges it is connected as a voltage-follower, sensing always being carried out at the 1V level. The 1V Range sense signal originates at the load in remote sense, or in the DC assembly in local sense.

For the millivolt ranges the 'AC 1V' drive signal to the millivolt attenuators is sensed directly (*see sub-section 9.4.5*).

On the AC 10V range an inverting configuration is employed. The circuit divides by 10, scaling the sense signal down to 1V range levels, for input to the Sine/Quasi-Sine comparator.

Separate arrangements are made for attenuation and scaling on the 100V and 1kV AC ranges. These are described in *Section 9.6.*

---

#### 9.4.4.1 General Arrangement

A discrete amplifier is used to provide the required slew rate up to 1MHz, all time constants being set well above 1MHz, with the first pole above 5MHz. It is configured into its follower circuit by relay switching.

Relays RL8, RL12 and RL3 are all energized on the 1V range. Relays RL11, RL13, RL14, RL15 and RL16 remain un-energized as shown in the diagram.

Dual JFET Q41 is a unity gain buffer in totem pole configuration. It drives the input protection diodes D37-D40, D44-D47; the screen on Q40 inverting input; and the bootstrap buffer Q46. The total input capacitance is thus reduced to 1-1.5pF.

The differential input amplifier, dual FET Q40, has low input capacitance and low input current. Q36 provides constant-current drive to Q40 and the bootstrapped followers Q38/Q39. R107 permits initial DC input-offset cancellation. The stage gain is low.

Emitter-followers Q34 and Q35 buffer the high-impedance low-gain FET stage, driving a differential signal into the high gain voltage amplifier Q29/Q30. This arrangement has the advantage of placing all the gain in one stage. The single-ended drive to Q31 output stage is taken from Q30 collector.

Q24 and Q25 form a current mirror to equalize the collector currents of Q29 and Q30, preventing signal injection into the sense amplifier power rails.

L6 and L7 isolate the amplifier power rails from the 15V supply at HF. C50 is the main frequency-response compensation capacitor, providing smooth roll-off, with unity gain at around 5MHz.

On the 1V Range, the output from Q31 is returned at low impedance, as 100% negative feedback to the amplifier input, via the closed contacts of RL12-8/14.

## 9.4.5 MILLIVOLT LOOP

(Circuit Diagram 430844 pages 11.7-1 and 11.7-2)

The basic 1V loop is extended by inserting a switched, passive, attenuator network. The switching circuit connects the selected millivolt output via RL4-13/9 and RL19-11/8 directly to the SHI(ACV) line, not 'PHT'. Thus only the two front panel Sense Hi and Lo terminals are used to connect to the load.

The software forces Remote Sense OFF in the millivolt ranges. Except for a series resistor (R154) on the 1mV range, the AC 1V signal is connected directly to the input of the Sense Amplifier via

RL11-4/5 at RL8-13. The amplifier circuit remains permanently in its non-inverting configuration for all three millivolt ranges, so local sensing is carried out at 1V range levels.

Thus the output value at the terminals depends on both the calibrated value of the AC 1V signal and the division ratio of the attenuator. In addition to the 1V range calibration, each millivolt range is also 'Autocalibrated' separately (refer to Section 1).

### 9.4.5.1 Millivolt Attenuators

(Fig. 9.8)

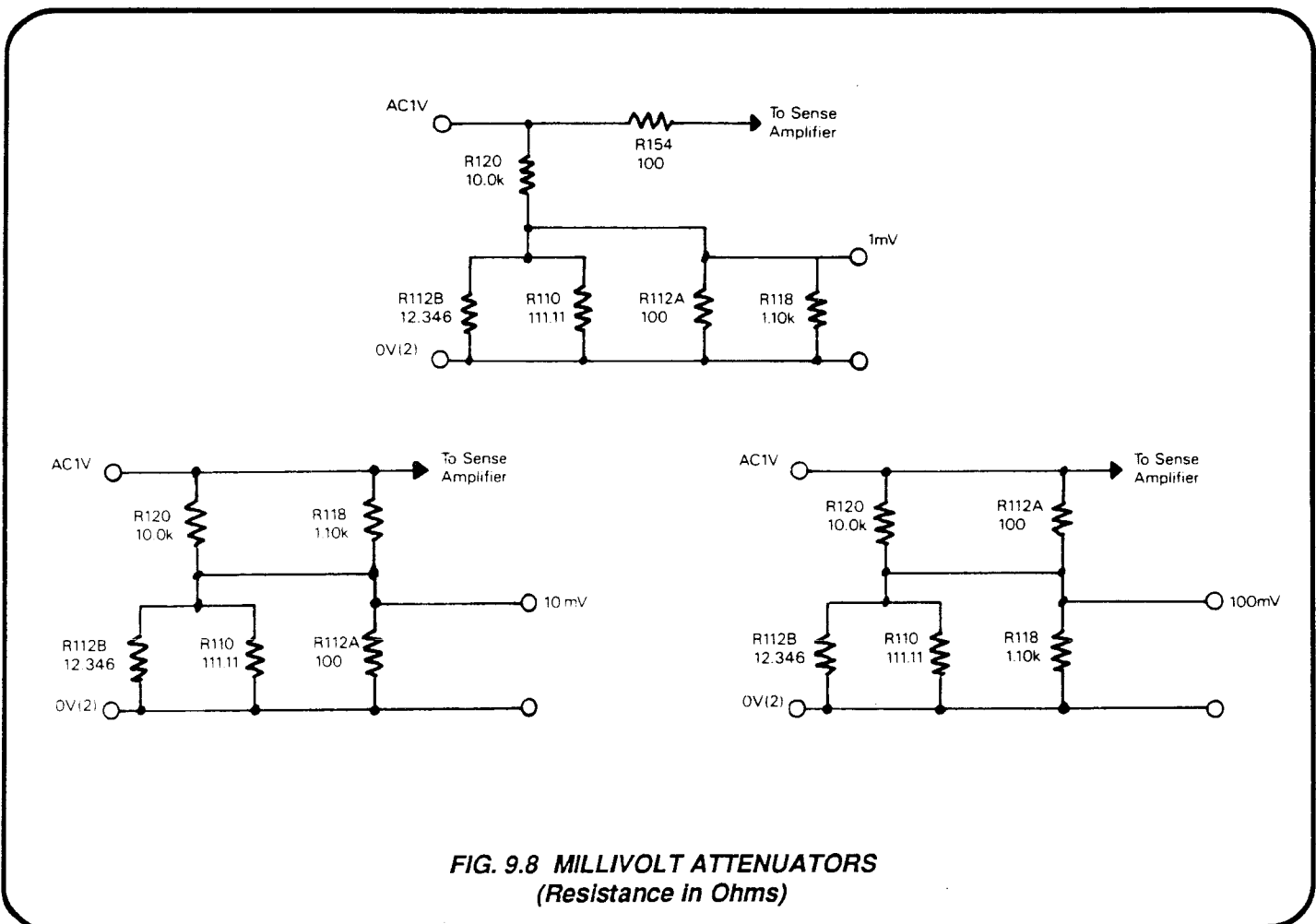
The AC 1V signal is diverted from its 1V range route by contacts 13/11 of un-energized relay RL7, and applied to the attenuator network.

The fixed chain (formed by R120 in series with the parallel combination of R112B and R110) is permanently connected between RL7-11 and the Common-2 star-point. Three levels of attenuation are achieved by switching R112A and R118. Relay RL5 is energized for the 10mV range only, RL6 for the 100mV range.

On the 1mV range, the series resistor R154 is connected between RL7-11 and the Sense Amplifier input via RL11-5, but it is shorted on the 10mV and 100mV ranges by the closed contacts of RL5 and RL6 respectively.

Relay RL4 is energized on all millivolt ranges. The attenuator output is passed out via RL4-8/9 and RL19-11/8 to the SHI(ACV) line. C89 defines the specified bandwidth, filtering noise at HF.

The three arrangements are shown in Fig. 9.8.



---

## 9.4.6 10V LOOP

(Circuit Diagrams: 430446 page 11.6-3, 430618 page 11.9-1/2 and 430844 page 11.7-1)

As noted in *sub-section 9.4.1*, the 1V Buffer is part of the power delivery system for all ranges. On the 10V range its output (AC 1V) passes via J6-41 from the Sine-Source assembly and into the Power Amplifier assembly (PA) at J9-36 (page 11.9-2).

The AC1V signal is amplified by a factor of 10 in the inverting 10V Power Amplifier, whose output is placed on the 'AC 10V+100V' line. This 10V range signal returns to the AC assembly at relay contacts RL17-13/4. It passes through RL19-2/5 to the PHI(ACV) line at J7-27.

The 10V range outputs then follow the same route (to and from the output terminals) as the 1V signals. Whether in Remote Sense or not, the sensed voltages return via the SHI(ACV) line to the same Sense Amplifier used for 1V range signals.

With 10V range selected, the sense amplifier has an inverting gain of 0.1, returning the signal to the 1V Range levels required by the Sine/Quasi-Sine comparator.

---

## 9.4.7 10V POWER AMPLIFIER

(Circuit Diagram 430618 page 11.9-2)

The AC 1V signal enters the PA assembly at J9-36, passing to the input of the 10V Amplifier via relays RL4-9/13 and RL3-9/13. It is referred to Common-2B by developing a voltage across R124.

The amplifier has already been described for the DC 10V Range; in this text, the effects on the 10V AC Range of its separate DC and AC paths are considered below.

---

### 9.4.7.1 DC Path

The DC path is blocked by C56; M17 is the DC input amplifier, connected as an integrator with diode clamping. M19 operates as an inverter in open loop, so applies high DC gain to the output from M17 on M19-2.

The output from M19 drives both halves of the symmetrical, inverting, discrete power amplifier through current-limiters Q21 and Q24, and is buffered by emitter-followers Q22 and Q23. Common-emitters Q27 and Q29 form a voltage amplifier, driving the complementary output stage Q32 and Q33. Input and feedback resistors R119 and R120 set the gain of the discrete stages to approximately 4.5.

The forward amplification contains three inversions, DC negative feedback being applied to M17 inverting input by R122, defining an overall gain of 10 in conjunction with input resistor R123.

The DC path senses and corrects the DC offsets throughout the whole AC amplifier, referring the output to Common-2A at M17-3.

### 9.4.7.2 AC Path

The AC path is blocked by the integrator M17, but is applied to the non-inverting input of M19 through the coupling capacitor C56. M19 operates in open loop, applying its output to the discrete power amplifier (*see 9.4.7.1 above*).

The amplifier AC gain is also set to 10 by R122 and R123, the circuit time constants being selected to allow overall instrument output operation over the full frequency range of 10Hz to 1MHz.

### 9.4.7.3 Power Supplies

M17 and M19 are supplied from  $\pm 15V$  common-2A rails, but the discrete amplifier receives power from the  $\pm 38V$  supply.

---

### 9.4.7.4 Overload Detection

The  $\overline{10V\ FLAG}$  line, connected to TP12, is pulled up to 0V (in-guard logic-1) in the Reference Divider assembly (page 11.4-4) by AN2-9/1 (1M $\Omega$ ). The Error OL message results from this line being driven to logic-0.

RL8 is energized for the AC 10V Range, so overload detector Q31 reaches  $V_{be}$  threshold on output current peaks, when the RMS value in R139/R172 and R141 exceeds approximately 80mA. Similarly, Q34 detects peak currents in R147 and R149/R173. In either case, Q34 conducts, pulling TP12 down to -15.7V. The  $\overline{10V\ FLAG}$  line is driven to logic-0, so the status message is returned to the CPU via the SSDA serial interface, and the Error OL message is displayed.

This does not preclude further increase in output current, but the accuracy specification is not guaranteed.

### 9.4.7.5 Overload Limiting

If the RMS output current increases to approximately 100mA, the peaks of current cause the  $V_{be}$  threshold of Q28 or Q30 to be exceeded, shunting the base current of the corresponding voltage amplifier. This hard-limits the output drive to the final stage.

### 9.4.7.6 Output Protection

The output current passes through the combination of R144 and L8. At low frequencies the inductor provides a low output impedance, whereas at high frequencies the resistor stabilizes the amplifier when driving capacitive loads.

---

## 9.4.8 10V SENSE AMPLIFIER

(Circuit Diagram 430844 page 11.7-2)

---

### 9.4.8.1 General

A common sense amplifier is used for the 10V, 1V, 100mV, 10mV and 1mV Ranges. Its main purpose is to buffer the sense voltage, providing a high impedance input, low DC offset and flat frequency response.

The operation of the Sense Amplifier for the AC 1V and millivolt ranges, is described in *para 9.4.4.1*. For these ranges it is connected as a voltage-follower.

The AC millivolt ranges' outputs are simply the AC 1V range after passive attenuation; these levels are not sensed directly. The AC 1V signal is sensed before attenuation.

On the 10V range an inverting configuration is employed. The circuit divides by 10, scaling the sense signal down to 1V range levels, for input to the Sine/Quasi-Sine comparator.

Separate arrangements are made for attenuation and scaling on the 100V and 1kV ranges. These are described in *sub-section 9.6*.

### 9.4.8.2 10V Range Configuration

On the 10V Range, relays RL14 and RL3 are both energized. Relays RL8, RL11, RL12, RL13, RL15 and RL16 remain un-energized as shown in the diagram.

The 'SENSE HI' signal is routed to the inverting input of the amplifier through the closed contacts of RL14 and resistor R115. With relays RL8 and RL11 not energized, the non-inverting input is referred to SIG LO.

The output from Q31 is returned via R121 as negative feedback to the amplifier input, the contacts of RL12-8/14 being open.

Thus the circuit is configured as an inverting amplifier, resistors R115 and R121 scaling the sense signal down by a factor of 10. Extensive screening is employed at the amplifier's virtual ground, bootstrapped by buffers Q46 and Q41 to follow the virtual-common potential. This reduces the input capacitance, which is further compensated by feedback capacitor C60.

---

## 9.5 AC HIGH VOLTAGE LOOPS

The instrument includes two high voltage AC ranges. The 100V ranges extends from 9V to 200V full scale, the 1000V range from 90V to 1100V full scale.

Circuit Diagrams 430844 page 11.7-1 and 430618 page 11.9-1 together illustrate the high voltage AC circuit arrangement and indicate signal flow. The details of the 100V and 1000V ranges are described in *sub-sections 9.6 and 9.7*.

---

### 9.5.1 AC HIGH VOLTAGE DELIVERY

Both ranges employ the same precision sinewave oscillator and VCA arrangement used for the 1V AC Range, but the techniques necessary to generate high voltages differ from those in the low voltage loops:

- **On the 100V range**, the AC 1V signal is switched directly into the 100V Amplifier, where it is scaled up by a factor of 100, the amplifier output being delivered via the 'AC 10V+100V' line to the PHI(ACV) line on the AC assembly.
- **For the 1000V range** the DC Reference is scaled in software, so that the AC 1V signal Full Scale value represents 1100V output. The signal is routed through extra stages of amplification before being applied to the 100V Amplifier, whose output now drives one of two 1:6 step-up transformers (LF or HF). The power-amplifier gain on the 1000V range is controlled by feedback from the transformer secondary, into the input of the 1000V Error Amplifier. The 'AC 1kV' line transfers the transformer output to the AC assembly, where it is switched onto the PHI(ACV) line.

---

### 9.5.2 AC HIGH VOLTAGE SENSING

Guarded high-voltage precision attenuators reduce the AC sense voltage from the Hi and Lo terminals to 1V Range levels. The attenuated voltage is compared with the quasi-sinewave voltage, their mean-square difference being used as an error signal to correct the range output level by controlling the gain of the VCA.

## 9.6 AC 100V RANGE

---

### 9.6.1 INTRODUCTION

(Circuit Diagram 430618 *page 11.9-1*)

The AC 1V signal, generated by the 1V Buffer in the Sine-Source assembly, enters the Power Amplifier as for the 10V range; but the 10V Amplifier is bypassed for the high voltage ranges.

On the 100V range, the signal is switched directly into the 100V Amplifier, where it is scaled up by a factor of 100, the amplifier output being delivered via the 'AC 10V+100V' line to the PHI(ACV) line on the AC assembly. Thereafter the output is transferred to the instrument terminals as for the 10V range.

### 9.6.2 AC 100V RANGE POWER ROUTING

(Circuit Diagrams: 430618 *pages 11.9-2 and 11.9-3*;  
430844 *page 11.7-1*)

'AC 1V' enters the Power Amplifier assembly at J9-36 (*page 11.9-2*). Relay RL3 is un-energized, shorting the 10V Amplifier input; and RL4 is energized, routing the AC 1V signal to the 100V Amplifier as '100V I/P' (*page 11.9-3*).

Relay contacts RL2-8/4 apply the signal to the Gain Stage, which provides drive to the power amplifiers in the positive and negative heat sinks, via J3-12 and J3-11. The single-ended output from the heatsinks at J3-9 passes via R89, L7 and relay RL2-13/9, to RL3-6 (*page 11.9-2*), and onto the 'AC 10V+100V' line via RL4-4/8.

On the AC assembly (*page 11.7-1*), the signal is routed to the PHI(ACV) line as for the 10V range.

### 9.6.3 100V AMPLIFIER

The AC 1V signal enters the PA assembly at J9-36, passing to the input of the 100V Power Amplifier via closed relays RL4-9/13 and RL2-8/4. It is referred to Common-2B by developing a voltage across R72.

The 100V Amplifier is described in *Section 7.8*, which deals with the 100V DC outputs.

The description is sub-divided as follows:

<b>7.8.3</b>	<b>100V Amplifier Introduction</b>
7.8.3.1	Input to Gain and Driver Stages
7.8.3.2	DC Offset Correction
7.8.3.3	Signal Processing
7.8.3.4	Driver Regulator
7.8.3.5	Driver Output
<b>7.8.4</b>	<b>100V Power Amplifier</b>
7.8.4.1	Positive Heatsink Assembly
7.8.4.2	Negative Heatsink Assembly
7.8.4.3	Over-Temperature Detection
7.8.4.4	100V Output Connection
7.8.4.5	Heatsink Removal

---

## 9.6.4 POWER SUPPLIES AND PROTECTION

The power supplies and protection for the 100V Amplifier are also described in *Section 7.8*.

The description is sub-divided as follows:

### 7.8.5 Power Supplies and Protection Introduction

#### 7.8.5.1 38V Supply

(The 38V supply circuit is also described in *Section 6.7, para 6.7.3.4.*)

#### 7.8.5.2 400V Transformation and Rectification

#### 7.8.5.3 400V Current Control

#### 7.8.5.4 100V Current Sense and 1kV Overvolts Detector

(This detector circuitry is used only for AC High Voltage ranges, and is therefore described in *sub-sections 9.6.4.1 and 9.7.6.1 below*).

### 7.8.6 PA Power Supply Monitors

#### 7.8.6.1 Comparator Supply Protection

#### 7.8.6.2 15V Monitor

#### 7.8.6.3 38V Monitor

#### 7.8.6.4 400V Monitor

---

### 9.6.4.1 100V Current Sense

(Circuit Diagram 430618 *Page 11.9-6*)

The 400V(2)B lines enter the Power Amplifier assembly from the PS/I Heatsink at J1-8/6 and are filtered by L1 and L2 before being applied across two neon lamps LP1 and LP3. These lamps are visible from the top and rear of the instrument when the PA board is exposed, indicating that a dangerous voltage is present.

The 400V(2)B lines continue on to power the driver stage of the 100V amplifier, where the voltage is regulated as described in *para 7.8.3.4*.

The 400V(2)C lines supply the power amplifier in the Positive and Negative Heatsinks. On the 100V range, the current in each of these lines is used as an analog of the load placed on the amplifier.

(On the 1000V range, any overload is sensed by a series detector in the DC assembly.)

The '100VAC' line is set to logic-1 (0V) only when the 100V range is selected. Driver Q7 pinches off the FET switch Q6, removing the short from R37, thus allowing the overload detector to operate. In normal use, links LKB and LKC are not connected. Their test purpose is to allow the current mirrors Q1 and Q3 to be powered without the level-shifters Q2 and Q4.

Most of the positive output current for the heatsinks passes through the series combination of R34 and D27, the negative currents through R9 and D4. As the both positive and negative circuits are symmetrical, only the positive circuit is described.

Current mirror Q3 diverts approx. 1.8% of the positive supply current into the level-shifter Q4, R36 and into the common resistor R37. Similarly Q1 draws current out of R37. Under no terminal load conditions these two currents are balanced, even if the output voltage is high.

Any AC output load current from the power amplifier is reflected by ripple currents in both positive and negative supplies. The net instantaneous current flowing in R37 alternates in synchronism with the output cycles, its amplitude increasing as the load current increases. So the amplitude of the alternating voltage across R37 is an analog of the output load current, and can be compared against a scaled reference voltage.

A window comparator is formed from the two halves of M2 and the voltage across R37 is applied to both halves. The outputs at M2-12 and M2-7 are uncommitted. Each half is biased by 2.45V in the correct polarity, provided by the reference zeners D9 and D17 in the 400V Monitor circuit. Unless any voltage peak across R37 exceeds this level, both M2 outputs will be pulled to 0V by R20.

The '100V FLAG' line (TP2) therefore remains at logic-1.

Any peak greater than 2.45V overcomes the bias on one half, causing its output to fall to -15V, resulting in the 100V FLAG line being pulled to logic-0. This signal then sets the limit detector latch M5a (*page 11.9-5*), as described in *para 7.12.7.1*.

## 9.7 AC 1000V RANGE

### 9.7.1 INTRODUCTION

(Circuit Diagram 430618 *page 11.9-1*)

The AC 1V signal, generated by the 1V Buffer in the Sine-Source assembly, enters the Power Amplifier as for the 10V range; but the 10V Amplifier is bypassed for the high voltage ranges.

On the 1000V range, the signal is switched via the 1kV x2 Amplifier and 1kV Error Amplifier, before being applied to the 100V Amplifier. The 100V Amplifier output is stepped up to 1000V Range levels by one of two (LF or HF) transformers, whose secondary voltage is delivered via the 'AC 1kV' line to the PHI(ACV) line on the AC assembly. Thereafter the output is transferred to the instrument terminals as for the 10V range.

### 9.7.2 1000V RANGE POWER ROUTING

(Circuit Diagrams: 430618 *pages 11.9-2 and 11.9-3*;  
430844 *page 11.7-1*; 430537 *page 11.14-1*)

'AC 1V' enters the Power Amplifier assembly at J9-36 (*page 11.9-2*). Relay RL3 is un-energized, shorting the 10V Amplifier input; and RL1 is energized, routing the AC 1V signal to the 1000V Amplifier chain.

Energized relay contacts RL1-8/4 apply the signal to the Gain x2 Stage, whose output is summed with error feedback, providing drive to the 1kV Error Amplifier.

The 1kV Error Amplifier output is passed as '1kV ERROR O/P' via relay RL1-9/13 to the 100V Amplifier (*page 11.9-3*). It is input through the contacts of un-energized relay RL2-6/4.

The output from the heatsink at J3-9 is transferred directly, as the 'OUTPUT' signal, to the '1kV ENABLE' relay contacts RL6-8 and RL6-9 (*page 11.9-2*). Relay RL7 determines whether the LF or HF transformer assembly is to be used, the OUTPUT signal being applied to the appropriate primary winding.

The secondaries of both transformers are connected into the High Voltage assembly (*page 11.14-1*). Relay RL2 or RL3 selects the appropriate output to be passed on to the AC assembly, via J1-28 and J1-22, as the AC 1kV signal.

The AC 1kV signal is also applied as the negative 'Error' feedback to the 1000V amplifier system. It passes through R138 and R155 on the PA assembly (*pages 11.9-1 and 11.9-2*), to be summed at the inverting input of M18a-2. A single net inversion is present around this loop.

On the AC assembly (*page 11.7-1*), the AC 1kV signal is routed by the contacts of energized relay RL20, and through fuse F2 to the PHI(ACV) line at J7-27.

### 9.7.3 1kV POWER AMPLIFIER

(Circuit Diagram 430618 *page 11.9-1*)

Amplification to a maximum of 1100V is in four stages:

1. **Gain x2 Stage:** the AC 1V signal is HF-boosted and amplified. For the 1000V range the DC Reference is scaled in software, so that the AC 1V signal Full Scale value represents 1100V output.
2. **1kV Error Amplifier:** the Gain x2 Stage output is summed with error feedback from the secondary of the step-up transformer.
3. **100V Amplifier:** possessing a gain of 100, the output from its heatsinks drives one of two (LF or HF) step-up transformers.
4. **Step-up Transformer:** a ratio of 1:6.6 (LF) or 1:6.17 (HF) allows sufficient gain in the system to provide a maximum RMS output of 1100V.

The frequency response of the amplifier is matched to the step-up transformer in use. The 'LF' signal into the amplifier is at logic-1 (0V) only when the 1kV range, and either the 100Hz or the 1kHz frequency range, is selected.

#### 9.7.3.1 Gain x2 Stage

(Circuit Diagram 430618 *page 11.9-2*)

The AC 1V signal is routed via relay RL1-8/4 to be developed across resistor R160. It is filtered by R162/C30 and applied to the non-inverting input of M15.

The feedback divider generates the x2 gain in M15; R159 and C67 providing HF lift to compensate the step-up transformer responses. FET Q35 adds C68 on the 100Hz and 1kHz frequency ranges, activated by the LF signal at logic-1, to boost the lift.

Output from the x2 stage is applied to the 1kV Error Amplifier via its input resistors R156/R95.

### 9.7.3.2 1kV Error Amplifier

The input resistance to M18a is split between R156 and R95 to allow the saturation detector to reduce the gain in the event of transformer saturation.

At the inverting input of M18a the signal input is summed with the AC 1kV negative feedback signal, output from the selected transformer secondary. The resulting error signal is amplified by the two stages of M18.

On the 100kHz frequency range, the maximum voltage available from the instrument is 750V. A tapping on the HF step-up transformer secondary reduces the maximum output to this level. The signal '1kV GAIN' is therefore set to logic-Ø only on the 100kHz range, cutting off FET Q19 and restoring adequate loop gain.

The second stage, M18b, adjusts the bandpass of the amplifier to match the selected step-up transformer:

#### 100Hz and 1kHz ranges:

Q26 connects C58 and R126 across the input resistor R97; relay RL5 shorts R48, connecting C34 and R93 directly across the feedback resistor R92, also shorting C38 in the output line.

#### 10kHz and 100kHz ranges:

Q26 connects C57 and R125 across the input resistor R97; relay RL5 shorts R47, connecting C33 and R94 directly across the feedback resistor R92, and leaves C38 dominant in the output line.

These measures give the necessary loop compensation for each transformer.

When the 1000V range is selected the amplifier output is fed to the 100V Amplifier via RL1-9/13 as the '1kV ERROR O/P' signal.

### 9.7.4 100V AMPLIFIER

This operates as for the 100V range, but its output signal 'OUTPUT' is fed directly to relay RL6 contacts for application to the step-up transformer.

The 100V Amplifier is described in *Section 7.8*, which deals with the 100V DC outputs.

The description is sub-divided as follows:

<b>7.8.3</b>	<b>100V Amplifier Introduction</b>
7.8.3.1	Input to Gain and Driver Stages
7.8.3.2	DC Offset Correction
7.8.3.3	Signal Processing
7.8.3.4	Driver Regulator
7.8.3.5	Driver Output
<b>7.8.4</b>	<b>100V Power Amplifier</b>
7.8.4.1	Positive Heatsink Assembly
7.8.4.2	Negative Heatsink Assembly
7.8.4.3	Over-Temperature Detection
7.8.4.4	100V Output Connection
7.8.4.5	Heatsink Removal

### 9.7.5 STEP-UP TRANSFORMER CIRCUITRY

#### 9.7.5.1 '1kV ENABLE' Relay RL6

Relay RL6 allows the OUTPUT signal from the 100V Amplifier to energize a step-up transformer, providing the following conditions are met:

##### The $\overline{1kV}$ signal is at logic-Ø:

This is a processor-controlled signal, set to logic-Ø when the instrument AC output is switched on, in the 1000V range.

##### The watchdog has not 'Barked'.

##### On the PA assembly, the '1kV ENABLE' switch S1 is set to 'ENABLE'.

S1 is situated below the left-hand ejector lever (viewed from the front of the instrument), facing the rear of the instrument. It allows the high voltage to be switched off for servicing purposes. A red LED glows when all other conditions are met.

When RL6 is closed, the OUTPUT signal from the 100V Amplifier is switched through to the contacts of RL7.

#### 9.7.5.2 LF/HF Transformer Selection

Relay RL7 is activated by the 'LF' signal, applying the 100V amplifier output to the HF step-up transformer for the 10kHz and 100kHz frequency ranges, and to the LF transformer for the 100Hz and 1kHz ranges.

The two transformers are separately located, their secondaries being connected into the High Voltage assembly. The HF transformer is selected when RL7 is un-energized, its primary being returned to Common-2C. RL7 is energized to select the LF transformer, whose primary current is sensed by the Saturation Detector.

#### 9.7.5.3 Saturation Detector

To obtain the required performance, the LF transformer core is constructed from a material with high remanence. It is possible for the 1kV range to be deselected when the core is magnetized, and subsequently reselected in the same sense, with resultant saturation.

The Saturation Detector circuit is activated by sensing any excess primary current in R114, associated with the loss of reactance. It progressively removes the signal input to M18b during half cycles of the appropriate sense until the core recovers, then automatically returns to its quiescent mode.

The dual amplifier M20 is biased by R115-R118 to approximately 1V on each input. Under normal operating conditions, the unsaturated core reactance holds R114 current down, so the voltage developed across R114 is insufficient to overcome the bias. The output from both amplifiers is of negative polarity, both diodes D58 and D59 are reverse-biased, and FET Q18 is cut off by its gate being pulled down to -15V.



When the core saturates, the current in R114 rises rapidly and its voltage exceeds the bias on one of the detector amplifiers. One diode conducts, forcing Q18 into conduction; so the signal feed to M18a is shorted, the current in the transformer core is reduced to zero, and Q18 is cut off again.

On the next half-cycle the current is reversed, so saturation is reduced. If the core saturates on successive half-cycles, they again activate the detector with further reduction. The process continues until the core remains unsaturated over the full dynamic range of the primary current, when the detector becomes inactive.

## 9.7.6 POWER SUPPLIES AND PROTECTION

The power supplies and protection for the 100V Amplifier are described in *Section 7.8*.

The description is sub-divided as follows:

### 7.8.5 Power Supplies and Protection Introduction

7.8.5.1 38V Supply (The 38V supply circuit is more fully described in *Section 6.7, para 6.7.3.4.*)

7.8.5.2 400V Transformation and Rectification

7.8.5.3 400V Current Control

7.8.5.4 100V Current Sense and 1kV Overvolts Detector (This detector circuitry is used only for AC High Voltage ranges, and is therefore described in *sub-sections 9.6.4.1, and 9.7.6.1 below.*)

### 7.8.6 PA Power Supply Monitors

7.8.6.1 Comparator Supply Protection

7.8.6.2 15V Monitor

7.8.6.3 38V Monitor

7.8.6.4 400V Monitor

### 9.7.6.1 AC 1kV Overvoltage Detector (Circuit diagram 430618 *Page 11.9-6*)

On the 1000V Range the primary voltage of the step-up transformer in use is fed as 'AC OVERVOLTAGE DRIVE' from RL6-4/13 (*page 11.9-2*), via R176 and a screened lead, to the M2 comparator input (*page 11.9.6*). (The operation of the comparator is described for the 100V Current Sense application in *Section 9.6, para 9.6.4.*) On the 1000V Range the 100V overcurrent sense resistor R37 is shorted by Q6, whose gate is driven by  $\overline{100V\ AC}$  at logic-1.

The HF (1:6.17) step-up transformer primary voltage is divided by R176 and R180 (ie by 1/116), but for the LF (1:6.6) transformer R181 shunts R180 (increasing the division ratio to 1/124.5), activated by the  $\overline{LF}$  signal and Q43. The result is that overvoltage is detected on the HF transformer primary at approx. 305V, but on the LF transformer primary at approx. 285V. Taking the step-up ratios into account, the 1kV Overvolts Detector trips at LF or HF for the same secondary voltage: approx. 1880V peak, 1330V RMS. This in turn activates the  $\overline{100V\ FLAG}$  signal as on the 100V Range.

### 9.7.6.2 AC 1kV Overcurrent Detector (Circuit Diagram 430536 *Page 11.5-2*)

For the AC 1000V range, so as to protect the step-up transformers, overloads are detected directly in the output lines to the terminals. For this range only, resistance is inserted in the PHI(ACV) line in the DC assembly. The voltage across the resistance is rectified and compared against a reference. If the voltage is excessive, the comparator generates a LIM DET signal. At higher frequencies, where the internal and external connections to the load will draw extra capacitive current, part of the resistance is short circuited.

The 'AC 1kV RANGE' signal enters at J5-102 (*page 11.5-3*). This is at logic-1 to energize relay RL13, only if the 1000V range is selected. RL13 removes the short from R107 and R108.

The 'HIGH I LIMIT' signal enters at J5-98 (*also on page 11.5-3*). When the 1000V range is selected, this is at logic-1 only for the 10kHz and 100kHz frequency ranges. It energizes relay RL12, shorting R108, so that higher currents are required to trip the LIM DET signal. As frequency increases, so do the currents taken by the capacitance of the internal tracking and wiring; R107 is compensated by C45 and C49 to bypass this extra capacitive loading.

A diode-bridge rectifies the voltage developed across the selected resistor(s). The voltage is limited to 10V by D31, and resistor R84 sets the trip current level for the opto-isolator M19.

The isolator operates from the 5 volts between -10V and -15V. In normal operation M19 output at M19-6 is open-collector so Q4 does not conduct. When the output current is sufficient to trip M19, Q4 emitter is pulled low and so Q4 conducts, its collector current being drawn through R79.

M18 is a switch which under no-overload conditions is biased by R79 to +15V; and with its output at -15V, its non-inverting input is set to approx. -2V. When Q4 conducts, its collector is pulled down close to the -15V rail voltage. This is applied to the inverting input of M18, whose output reverses to +15V providing a positive trigger edge to M12-4.

For AC outputs the  $\overline{DC\ FNCT}$  signal is inactive at logic-1, M12-3 at logic-1 removes the reset which is present for all DC voltage ranges. Monostable M12 is set to produce a logic-0 at its Q output (M12-6) unless its A input at M12-4 is edge-triggered positively. In normal conditions no trigger is given, so M12-6 remains at logic-0, D10 is unbiassed and the LIM DET line remains at the logic-0 level of -15V.

When M18 output reverses to +15V, M12-6 produces a logic-1 (0V) pulse of 1ms duration, which forward-biases D10, so the LIM DET line transmits a logic-1 pulse of 1ms duration. Successive positive or negative peaks of overcurrent retrigger the monostable, maintaining its Q output (and thus the LIM DET signal) at logic-1.

## 9.8 AC HIGH VOLTAGE SENSING

(Circuit Diagram 430844 Pages 11.7-1 and 11.7-2)

The SHI(ACV) signal, returned from the terminals via the Current and Output Control assemblies, enters the AC assembly as for the 10V range; but the 1V/10V Sense Amplifier is bypassed for the high voltage ranges.

On these ranges, the signal is switched into one of two guarded attenuators, both housed in the Attenuator/Cage assembly plugged directly into the AC assembly. Each attenuator is a separate resistor chain which acts as the input resistor to the inverting amplifier M32. The output of the amplifier is passed to the Comparator transfer switch.

### 9.8.1 100V SENSE AMPLIFIER

The SHI(ACV) signal passes through the contacts of energized relays RL19 and RL15, and is applied via the four pins of J1 into the 100V attenuator chain. The attenuator consists of four  $25\text{k}\Omega$  0.1% resistors in series. To eliminate leakage, each junction between the resistors is guarded, the guards being taken to equivalent voltage points on a chain of four capacitors, C64 to C67. The capacitive chain is also driven from the sense signal. The attenuator acts as the input resistor for the 100V/1000V Sense Amplifier M32.

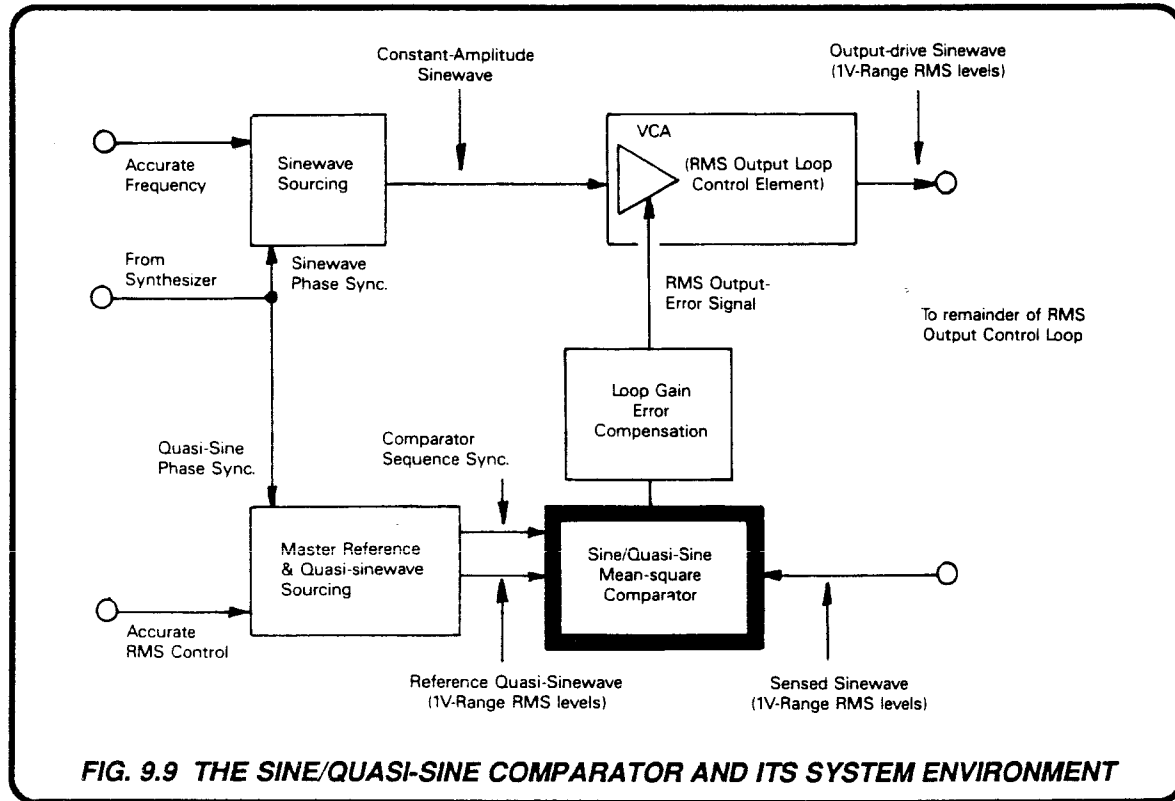
Relay RL13 is un-energized on this range, so R124 acts alone as the feedback resistor, producing an amplifier gain of 1/100. The sense signals are thus reduced to 1V range levels. The amplifier output is routed through the contacts of un-energized relay RL3 as the comparator 'SIG' input, to transfer switch M16-11 (*page 11.7-3*).

### 9.8.2 1000V SENSE AMPLIFIER

The SHI(ACV) signal is blocked by the contacts of un-energized relay RL15, but RL16 is energized, applying SHI(ACV) as the '1kV SENSE' signal via link LK1 into the 1000V attenuator chain. The chain has ten  $50\text{k}\Omega$  1% resistors in series, which combine to form the input resistance for M32. The guards are taken to equivalent voltage points on a chain of eight capacitors, C70 to C77, again driven from the sense signal.

Relay RL13 is energized on the 1000V range, so R123 and R124 act in parallel as the feedback resistance, giving a gain of 1/550. The sense signals are thus reduced to 1V range levels (the 1000V range FS voltage is 1100V; the equivalent 1V range FS voltage is 2V). The amplifier output passes to the transfer switch as on the 100V range.

## 9.9 SINE/QUASI-SINE RMS COMPARATOR



**FIG. 9.9 THE SINE/QUASI-SINE COMPARATOR AND ITS SYSTEM ENVIRONMENT**

### 9.9.1 PURPOSE AND ENVIRONMENT

(Fig. 9.9)

The VCA acts as the control element of the Fine Amplitude Control Loop, having variable gain which is adjusted to change the output value.

The main purpose of the comparator, in conjunction with the coarse amplitude control, is to cause the output RMS value to track the value set on the front panel OUTPUT display. It generates a DC error voltage which adjusts the VCA gain.

Because it is part of the fine amplitude control loop, the comparator also corrects output RMS changes due to loading and other disturbances, within the instrument specification.

The Comparator receives two analog inputs:

- The reference quasi-sinewave whose RMS value is set by the value on the OUTPUT Display, and is also modified by stored calibration data (*sub-section 6.6*), and
- The sensed and conditioned output sinewave, which is compared against the reference quasi-sinewave (*sub-sections 9.4 and 9.5*).

The Comparator output is the DC error voltage resulting from the difference between the mean-square values of the two inputs. As the VCA gain (and hence the output RMS level) is adjusted, the RMS value of the comparator's sense input approaches that of the reference, and the error voltage is driven towards zero. The output value stabilizes when the RMS values of the two inputs are equal.

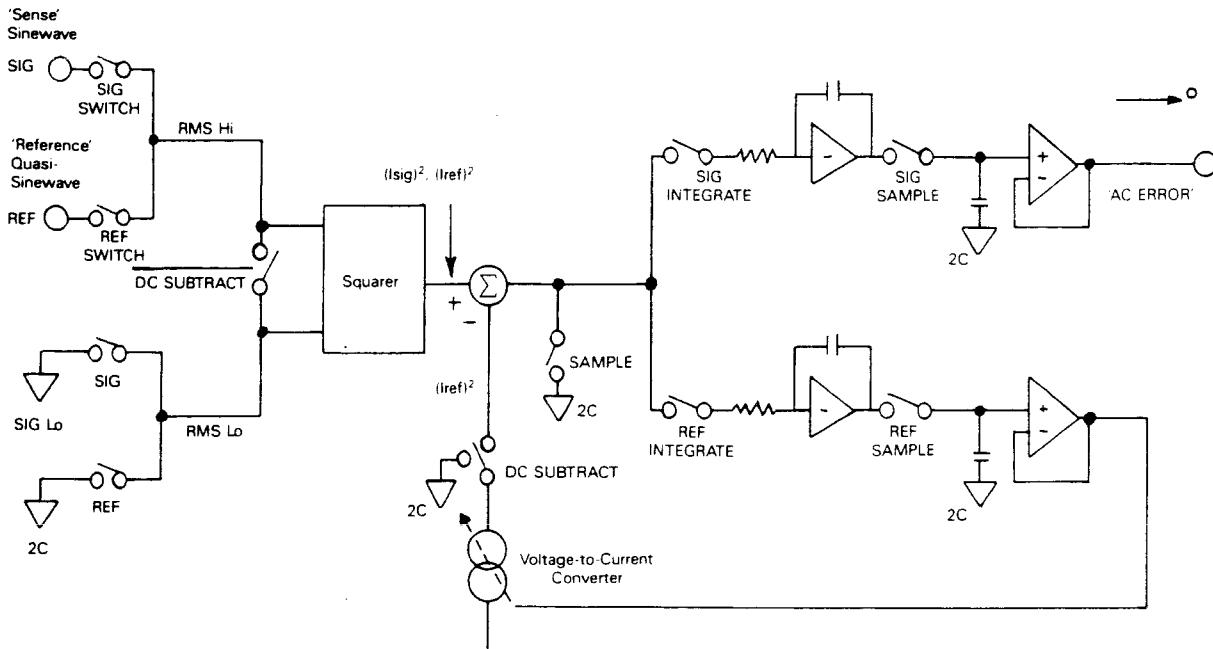
The buffered DC error signal output from the comparator is adjusted in approx. 1000ppm FS steps by the action of the Coarse Amplitude DAC, to give a virtually constant loop gain. The effects are described in *sub-section 9.3*.

### 9.9.2 IMPLEMENTATION

Both inputs are scaled to 1V Range levels and compared in an Integration/Sample-and-Hold system. They are sequentially steered through a common squaring circuit into separate 'REF' (Reference<sup>2</sup>) and 'SIG' (Reference<sup>2</sup> minus Sense<sup>2</sup>) averaging integrators.

A capacitor and voltage follower samples and holds the settled REF integrator voltage. It generates a DC 'REF<sup>2</sup>' signal which is subtracted from the AC 'SIG<sup>2</sup>' signal. The result is applied to the SIG integrator, then another sample-and-hold circuit generates the 'AC ERROR' signal from the integrator's output.

'AC ERROR' is thus a DC analog of the difference between the 'mean-square' values of the two inputs. It is buffered and applied to the VCA via the Error Amplifier.



**FIG. 9.10 SINE/QUASI-SINE COMPARATOR - BLOCK DIAGRAM**

	COMPARATOR CYCLING PERIODS										
	C 1	C 2	C 3	C 4	C 5	C 6	C 7	C 8	C 9	C 0	
'X' indicates that switch is closed.											
States	REFERENCE PATTERN					SENSE (SIG) PATTERN					
(a) Squarer input	← quasi-sine →			zero	← sine →			zero			
(b) REF SWITCH	X	X	X								
(c) REF INTEGRATE	X	X	X	X							
(d) REF SAMPLE					X						
(e) SIG SWITCH						X	X	X			
(f) SIG INTEGRATE						X	X	X	X		
(g) SIG SAMPLE										X	
(h) DC SUBTRACT	X	X	X					X	X	X	
(j) DC SUBTRACT				X	X					X	X
(k) SAMPLE					X					X	
(l) RMS Lo	COMMON-2C					SIG LO			2C		

**FIG. 9.11 SINE/QUASI-SINE COMPARATOR - SEQUENCE CYCLE**

### 9.9.3 METHOD OF COMPARISON (Figs. 9.10 and 9.11)

The comparator is based on a ten-state recycling sequence of squaring, integration, sampling and subtraction. Operation and accuracy rely heavily on synchronization between sine and quasi-sine.

At relevant points in the following description, reference is made to a specific output frequency of 500Hz (1kHz Range), as an example to clarify the following points:

- As the output sinewave frequency is varied, the quasi-sinewave tracks an exact sub-multiple of its frequency; except on the 100Hz Range, where both are at the same frequency. In our example at 500Hz, the quasi-sinewave has half the output frequency. The various relationships between output and quasi-sinewave frequencies for different frequency ranges are detailed in Section 8, Table 8.3.
- The duration of each comparison cycle is always equal to ten quasi-sinewave periods (here 40ms), and each of the 'C' periods persists for one quasi-sinewave period (for 500Hz output - 4ms). This effect can be observed using an oscilloscope, say at TP46.
- Using this specific case also gives a point of reference for examination of the circuit waveforms using an oscilloscope.

### 9.9.3.1 The Comparator Sequence

(Figs. 9.10 and 9.11)

The table in Fig. 9.11 shows the conduction patterns of the switches in the block diagram of Fig. 9.10, within a complete sequence cycle. The cycle is broadly divided into two similar patterns ('REF' and 'SIG'), each occupying five quasi-sinewave periods. The cycle repeats continuously.

In the following analysis, the effects of the closed switches are described; all other switches are open.

#### Periods C1, C2 and C3

- a. REF SWITCH is closed to input the quasi-sinewave to the squarer.
- b. REF INTEGRATE steers the squarer output current into the Reference Integrator.
- c. DC SUBTRACT allows  $I_{ref}^2$  to be drawn from the summing junction.
- d. RMS Lo has been connected to common 2C since the start of CØ in the previous period, in preparation for REF squaring.

The quasi-sinewave is squared, and the result is output as a current (at twice the input frequency) into the summing junction. The DC current  $I_{ref}^2$  is subtracted at the junction, and the residue goes to charge the Reference Integrator capacitor.

(Note that every time that OUTPUT OFF is selected, REF and SIG integrator capacitors are discharged, driving both 'AC ERROR' and  $I_{ref}^2$  to zero. During the first REF integration when OUTPUT ON is next selected,  $I_{ref}^2$  remains at zero so the integrator capacitors start charging from zero.)

#### Period C4

- a. REF SWITCH is opened, removing the input to the squarer.
- b. DC SUBTRACT is opened, subtraction ceases.
- c. DC SUBTRACT closes to input a hard zero to the squarer.
- d. REF INTEGRATE remains closed, allowing the squarer and integrator to settle.
- e. RMS Lo remains connected to Common-2C until the integrator has settled.

The REF integrator remains in its integrating (on) condition during period C4, to ensure that any energy stored in the squarer during C1 to C3 is acquired.

DC subtraction during period C4 would generate an error, as full subtraction was already applied during period C1. DC SUBTRACT is therefore turned off by transferring the source of  $I_{ref}^2$  from the summing junction to Common-2.

#### Period C5

- a. REF INTEGRATE opens, stopping the integrator action.
- b. SAMPLE closure forces the squarer output to a hard zero, to nullify any leakage effects in the integrator switch.
- c. REF SAMPLE closes, and current from the integrator op-amp charges the sampling capacitor to the integrator capacitor voltage.
- d. RMS Lo is switched from the Ref Common-2C to the Sense SIG Lo in preparation for SIG squaring.

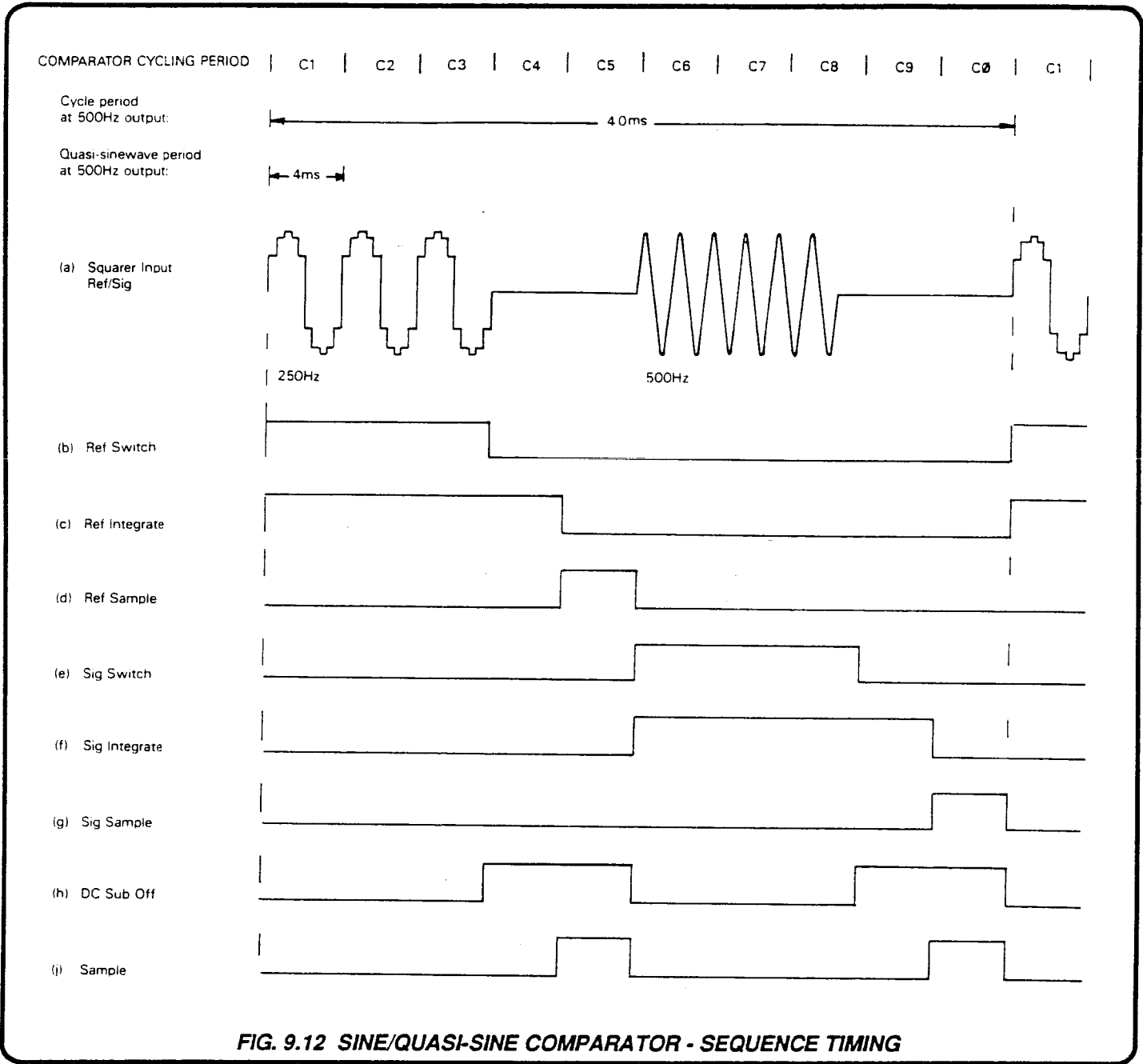
As the sampling capacitor changes its charge, its voltage-follower drives the voltage-to-current converter to change the DC subtraction current. The new  $I_{ref}^2$  is sourced from Common-2 during this period, but during the next SIG and REF integration periods, it will be subtracted from the squarer output current at the summing junction.

#### Periods C6 to CØ

As can be seen from Fig. 9.11, the closure pattern is repeated for SIG squaring, integration and sampling. The SIG circuit action is identical to REF, except that:

- a. the squarer input is now the sensed sinewave;
- b. the subtraction current has been set to a new value during period C5. This does not change again until period C5 of the next cycle;
- c. During period CØ, the 'AC ERROR' output from the SIG sample-and-hold voltage follower is changed, updating the VCA gain via the Error Buffer and Error Amplifier.
- d. RMS Lo was switched from Common-2C to SIG Lo during period C5 in preparation for SIG squaring. It remains connected to SIG Lo during the squaring periods C6, C7 and C8, and also during period C9 for the Sig Integrator settling. At Period CØ it is reconnected to Common-2C in preparation for REF squaring.

### 9.9.3.2 Comparator Action



**FIG. 9.12 SINE/QUASI-SINE COMPARATOR - SEQUENCE TIMING**

The sequence described in 9.9.3.1 is necessarily simplified. When a new output demand changes the amplitude of the quasi-sinewave, a few sequence cycles are required to stabilize the conditions of the Ref integrator, Sig integrator, subtraction current and AC ERROR output. The circuit must also respond to demands for reduced output in addition to those for increases.

The comparator forms part of the output amplitude control loop, ultimately affecting the output voltage and hence the sensed voltage input to the squarer as 'SIG'. As the sequence recycles, the mean-square value of the SIG input sinewave will approach that of the REF quasi-sinewave, and as it does so the AC ERROR output must approach a steady-state value.

The squarer output current has an AC component in its waveform, but  $I_{ref}^2$  being subtracted at the summing junction is a DC current. In the settled condition,  $I_{ref}^2$  is driven on successive cycles to balance the quasi-sinewave  $REF^2$  AC current (being applied to its integrator) about zero. The final level of  $I_{ref}^2$  is just sufficient to be self-sustaining.

Meanwhile, the sensed  $SIG^2$  current approaches the  $REF^2$  value, and the same  $I_{ref}^2$  is a DC analog of the quasi-sinewave mean-square voltage. In the output loop, the VCA is driven until the instrument output (and sensed SIG input) is at the correct level just to generate a self-sustaining 'AC ERROR'.

In the comparator,  $I_{ref}^2$  is subtracted from both  $SIG^2$  and  $REF^2$  currents. This maintains the AC AMPL ERROR as an analog of the difference between the quasi-sinewave and the output sinewave mean-square voltages (when the latter is reduced by sense conditioning to 1V Range levels). Thus when the sensed SIG input voltage approaches the quasi-sinewave REF voltage (mean-square values), the AC ERROR approaches stability and the system settles.

A further complication: a bias is applied to the squaring circuit to avoid distortion by maintaining permanent conduction. The bias is controlled by the value of the positive reference voltage, and a bias current is superimposed on the subtraction current. These factors will be discussed later during the circuit analysis.

---

#### 9.9.4 COMPARATOR CONTROL LOGIC (Circuit Diagram 430844 page 11.7-3)

The Comparator operating cycle originates at M15, which is a 10-bit sequencing counter, clocked at the quasi-sinewave frequency by the carry-out from M11-12.

The SYNC  $\emptyset$  input to M15 RESET is a decoded address, whose function at logic-1 is to disable counters M11 and M15, inhibiting operation of the comparator and generation of the quasi-sinewave. In this instrument, SYNC  $\emptyset$  is held permanently at logic- $\emptyset$ , enabling both quasi-sinewave and comparator for AC Voltage and Current functions.

The clock continuously recycles M15 in ascending count through  $Q_0$  to  $Q_9$ , ten clocks (ie ten quasi-sinewave periods) constituting one cycle of the comparator sequence. Only one 'Q' output is at logic-1 (+8V) at a time, the remainder being at logic- $\emptyset$  (-8V).

With increase of frequency range, the difference between the frequencies of sensed sinewave and reference quasi-sinewave increases in decade steps. As the comparison is performed at mean-square levels, this frequency difference does not matter, so long as the sinewave is at an exact multiple of the quasi-sinewave frequency. However, to optimize the operation of the Sense/Reference

comparator, the zero crossings of the quasi-sinewave are synchronized to occur coincident with a sinewave zero crossing, and all comparator state changes are also synchronized to sinewave zero-crossings.

Synchronization is achieved by clocking M17 so that all the analog switching data changes simultaneously. Thus data is latched from M17 'D' inputs to its permanently-enabled outputs, one complete quasi-sinewave period after it was clocked through M15. This ensures that the transit times of M15, M18 and M20 do not affect synchronism with the quasi-sinewave zero-crossing.

The data is thus strobed through M15 and M17, being delayed by one clock period. This does not affect the operation of the comparator, although it must be accounted for when observing waveforms on an oscilloscope.

The sequence, as described earlier in *sub-section 9.9.3*, begins with REF SWITCH connecting the quasi-sinewave to the squarer input during period C1. The logical origin of the comparator switch state during C1 corresponds to M15-2 ( $Q_1$  output) at logic-1; but because of the data delay its actual timing is coincident with the  $Q_2$  output of M15-4 at logic-1.

## 9.9.5 COMPARATOR TIMING LOGIC

(Fig. 9.13)

The comparator timing waveforms for the sequence are illustrated in Fig. 9.13. To highlight the data delay, the main waveforms are grouped into two blocks: 'REF' and 'SIG', each headed by the states of the comparator cycle. Line (b) shows which of M15 (Q) outputs is at logic-1 during each of the states. It can be seen that the effects of M15 output states are delayed by 1 clock period, in the translation to comparator states.

### 9.9.5.1 Squarer Commons Switching

['REF' and 'SIG' waveforms (d) and (k)]

Waveform (c) shows the variation of M15-12 (Cout). Waveforms (d) and (k) are the direct results of Cout inputs to M17 after the translation by one clock shift (note the inversion at M20-10).

During states C0 to C4, waveform (d) at logic-1 connects the squarer common (RMS Lo) to Common-2 at M16-4 for quasi-sinewave squaring; whereas during states C5 to C9, waveform (k) connects RMS Lo to SIG Lo at M16-8 for sensed sinewave squaring. In both cases, the appropriate common is connected one period ahead of the squarer input, and disconnected at the end of the integrator settling time.

### 9.9.5.2 Squarer Input Switching

['REF SW' and 'SIG SW' waveforms (e) and (l)]

M15 outputs Q1 to Q3 are 'OR' gated at M18-6 and applied as D2 input to M17. The result is to generate the REF SW waveform (e) at M17-7.

REF SW connects the quasi-sinewave as input to the squarer by M16-13 only during states C1 to C3.

Similarly, SIG SW waveform (l), logically derived from M15 outputs Q6 to Q8, is at logic-1 only during states C6 to C8, connecting the sensed sinewave as input to the squarer by M16-12.

## 9.9.5.3 Integration and Sample Switching

['INT' and 'SAMPLE' waveforms (f) and (h)]

At any instant, the comparator is either sampling or integrating. The INT waveform is thus the inverse of the SAMPLE waveform.

### SAMPLE

M15 outputs Q0 and Q5 are 'OR' gated at M18-9 and applied as D3 input to M17. The result is to generate the SAMPLE waveform (h) at M17-10.

Therefore, for C0 and C5 only, SAMPLE provides two enabling inputs to AND gates M13 at M13-2 and M13-5. It also places a hard zero on the squarer output by M7-5 (page 11.7.4) when this is disconnected from both integrator inputs. With both input and output at zero volts, any offsets are removed in preparation for the subsequent squaring and integration sequence.

### INT

The 'SAMPLE' output of M18-9 is inverted at M20-4, applying logic-1 to the D1 input of M17 for the whole of the cycle except for C0 and C5. The INT output at M17-5 is waveform (f), which enables M13-1 and M13-13.

### REF INT

INT is 'AND-gated' with REF waveform (d) at M13-11 to generate the 'REF INT' waveform (g), which is at logic-1 only during periods C1 to C4. During this time M7-12 (page 11.7.4) at logic-1 connects the squarer output to the REF Integrator input.

### SIG INT

INT is 'AND-gated' with SIG waveform (k) at M13-10 to generate the 'SIG INT' waveform (m), which is at logic-1 only during periods C6 to C9. During this time M7-6 (page 11.7.4) at logic-1 connects the squarer output to the SIG Integrator input.

### REF SAM

'SAMPLE' is 'AND-gated' with SIG waveform (k) at M13-4 to generate the 'REF SAM' waveform (j), which is at logic-1 only during state C5. During this time driver M6-1 at logic-1 causes FET Q2 to conduct (page 11.7.4), connecting the REF Integrator output to the REF Sample-and-Hold input.

### SIG SAM

'SAMPLE' is 'AND-gated' with REF waveform (d) at M13-3 to generate the 'SIG SAM' waveform (n) which is at logic-1 only during state C0. During this time driver M6-7 at logic 1 causes FET Q3 to conduct (page 11.7.4), connecting the SIG Integrator output to the SIG Sample-and-Hold input.



### 9.9.5.4 DC Subtraction

[DC SUBTRACT OFF waveform (p)]

Subtraction is required only when either input is being applied to the squarer. As REF SW and SIG SW already exist, it remains only to provide an OR function to join them. The analog circuits need an inverted waveform, so a NAND gate is used. For loading purposes two elements of M20 are connected in parallel: REF SW and SIG SW are combined as waveform (p) at M20-3 and M20-11.

#### Squarer Input Short

When at logic-1 during C4-C5 and C9-C0, M7-13 places a hard short between RMS Hi and RMS Lo; otherwise the short is released.

#### Subtraction Current Control

During C1 to C3 and C6 to C8, DC SUBTRACT OFF at logic-0 cuts off D8 (page 11.7-4), allowing Q6 to draw subtraction current through D6, D5 and R54. When at logic-1, D8 conducts and sets D5 and D6 in reverse bias, diverting the subtraction current.

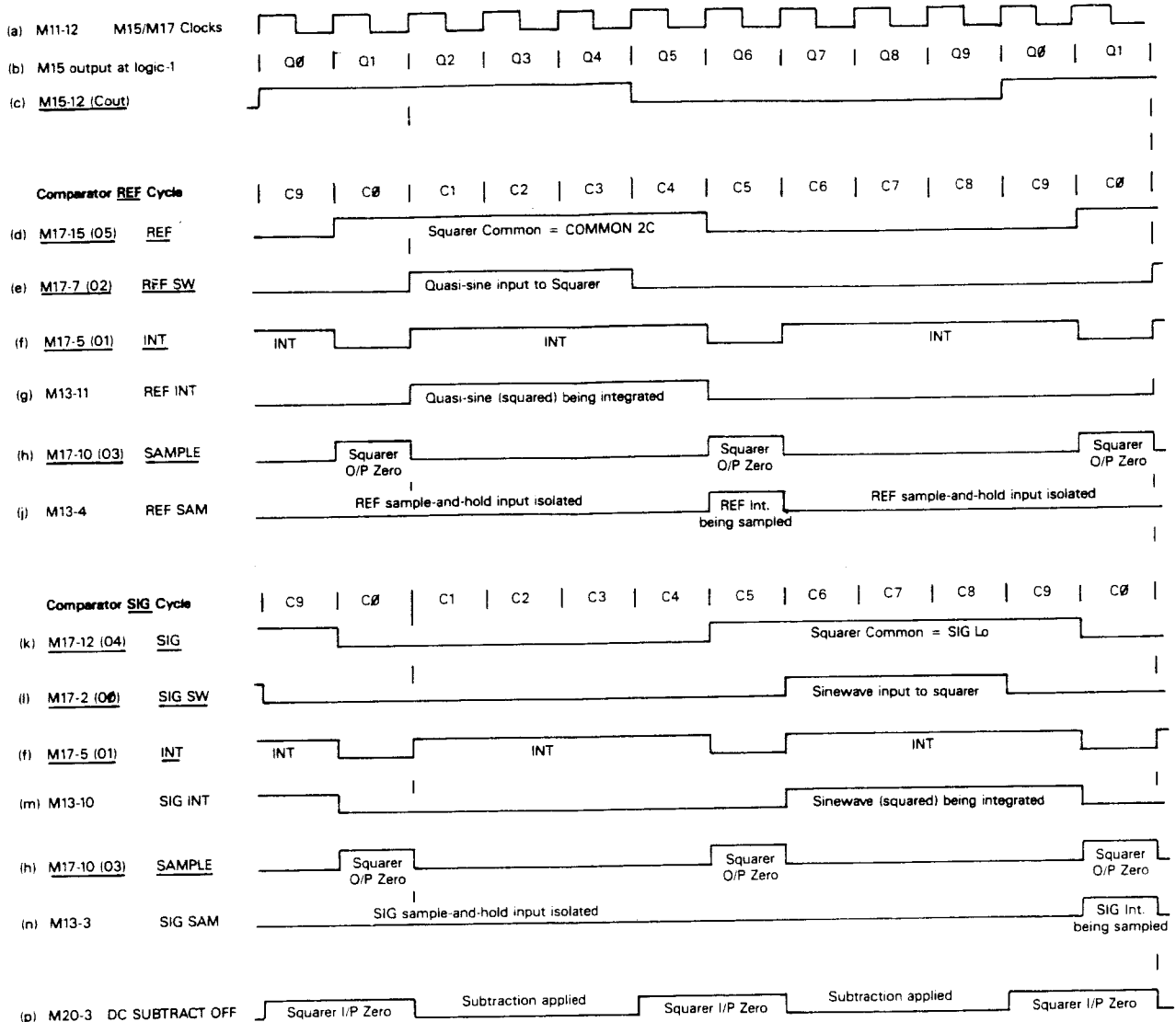


FIG. 9.13 COMPARATOR TIMING LOGIC

## 9.9.6 SQUARE LAW DETECTOR CIRCUIT

(Circuit Diagram 430844 Page 11.7-4 and DC400842 Page 11.7-7)

The basic action of the squaring circuitry is the same as is used for  $\sin^2$  and  $\cos^2$  in the Sinewave Oscillator amplitude loop, but there are some differences in detail (*refer to sub-section 8.2*).

The Square detector is biased in such a way that it is permanently turned on, to improve bandwidth and permit control of gain scaling. Its differential output voltage at Q109 and Q110 collectors is proportional to the square of its input voltage, divided by the bias voltage. The bias is derived from the DC version of the demanded signal level REF+ve, the DC output from the reference divider.

Thus the transfer proportionality of the signal magnitude is given by:  
Vout is proportional to  $V_{in}^2 / V_{bias}$

but as Vbias is derived from REF+ve,

$V_{in} / V_{bias}$  is a constant: **k**,

and the instantaneous squarer gain is:

$$\frac{d(V_{out})}{d(V_{in})} = \frac{d(kV_{in}^2)}{d(V_{in})} = 2k$$

Thus the basic gain equation has no amplitude or frequency components, so is constant over a wide bandwidth and dynamic range. The squarer therefore has a fast response at all signal levels.

The bias is applied as currents to Q116 and Q117 emitter circuits. The transistors in the array of M22 are all used as current generators.

### 9.9.6.1 Bias Control

The input to Reference Amplifier M24 is the positive DC REF +ve voltage, which varies between approx. 0.14V and 2.8V, depending on the output value selection.

M24 output voltage rises until M22-9 pulls enough current through R50 to reduce M24-3 to zero. The other transistors in M22 act as current mirrors, so their collector currents are defined by the REF +ve voltage and the resistance of R50.

Thus bias current is applied to Q116 and Q117 in direct proportion to the REF +ve voltage, which is an accurate analog of the demanded output value.

### 9.9.6.2 Current Driver

The 'SIG<sup>2</sup>' and 'REF<sup>2</sup>' current outputs from the square detector develop a differential voltage input between the collectors of Q109 and Q110, to the current driver M103. This amplifier generates a single-ended current drive to the integrators.

M103-7 drives current out through R113 and R118 to the integrators while M103-1 supplies voltage feedback to maintain TP9 node at very near common 2 potential while maintaining high output impedance to the integrators.

Differential input variations between the collectors of Q110 and Q109, due to 'SIG<sup>2</sup>' and 'REF<sup>2</sup>' outputs from the Square Detector are translated to single ended currents into and out of the junction at TP9. The current difference passes through R118 to R148 during SIG INT states, and to R149 during REF INT states.

At other times, when both of the integrator input switches M7-8/9 and M7-11/10 are open, the 'SAMPLE' waveform closes M7-4/3 to pass any difference current to Common-2C. (During the SAMPLE periods, DC SUBTRACT OFF is zeroing the Square Detector input RMS Hi anyway, by shorting to RMS Lo via M7-2/1 - *page 11.7-4*.)

Resistors R118, R148 and R149 are of very low value compared with the output impedance at TP9, so the driver compliance is high.

### 9.9.6.3 Output Amplitude Loop - LF Gain Reduction

On the 100Hz Frequency range the gain around the output amplitude loop needs to be less than on other ranges. This compensates for the longer integration times at lower frequencies.

Adjustment is in two stages, using dual open-collector comparator M105:

#### a. For 100Hz Range selection

The '100Hz' logic signal input to M105-2 is derived in the frequency synthesizer and is at logic-1 when 100Hz range is selected. M105-1 is pulled up by R115 and Q108 conducts connecting R116 across R113, reducing the gain of the M103 voltage to current converter.

#### b. For frequency selections below 32Hz

The '>31Hz' signal input to M21 is also generated in the Synthesizer.

- i. Similar comparator action provides further loop gain reduction for frequencies of 31Hz and below. Both Q107 and Q108 are on to switch in both R116 and R116 across R113.

## 9.9.7 GENERATION OF THE DC SUBTRACTION CURRENT

---

### 9.9.7.1 'REF' Integration

The integrator circuit is very basic. Feedback for M12 is by C25, but the input resistance is formed by R149, R35 and the output impedance of the Current Driver, which is heavily predominant. The current from the driver is virtually unaffected by R35 and R149.

M7-11/10 conducts for periods C1 to C4 (REF INT). During C1 to C3 the REF SW waveform inputs the quasi-sinewave to the squarer, and during C4 the squarer settles to its zero input.

The REF<sup>2</sup> output from the driver is an AC current, which for a constant quasi-sinewave amplitude is integrally charge-balanced about

zero due to the DC subtraction, at twice the quasi-sinewave frequency. C25 therefore receives equal positive and negative charge during each cycle of quasi-sinewave, so the mean voltage at M12-1 does not change.

A discharge path for C25 is provided by Q5/R30. The 'INT HOLD' signal at J7-46 is logic-1 when the instrument is in 'OUTPUT OFF' condition, discharging both REF and SIG integrators. For so long as the output remains 'ON', the INT HOLD signal stays at logic-0, and the integrators are never discharged other than by the action of their inputs.

---

### 9.9.7.2 'REF' Sample-and-Hold

Q2 conducts during each 'REF SAM' period, when the charge on C25 has settled for the cycle. M12 drives C12 to the voltage on C25, and the voltage follower M4 passes the same voltage as 'REF ERROR' on to the REF V to I Converter.

Q2, C12 and M4 are low-leakage devices and M4 input circuit is screened, at low impedance, to the sampled voltage. Thus the 'Droop' is specified as less than 20 $\mu$ V during the 'Hold' part of the cycle when Q2 is not conducting.

---

### 9.9.7.3 'REF' V to I Converter

The circuit of M19 and Q6 converts the DC voltage output of M4 into the subtraction current. A second function is to draw an extra DC current which compensates for the bias control currents.

The DC 'REF ERROR' voltage from M4-6 is divided by R37/R31 and applied to the non-inverting input of M19. A second input results from the DC bias current drawn by M22-14, defined by the 'REF+ve' voltage and the two resistors AN2-10/7 and R141.

M19 drives FET Q6, which draws current via Q110 emitter, R54, D5 and D6. The current is sunk into Common-2C via R47, R38 and AN2-12/5, and into the -15V supply via the M22-14/12 bias circuit.

Capacitor C34 filters out any HF transients remaining from the switching edges of REF SAMPLE, and D7 protects against positive excursions of Q6 gate.

In the simplified diagram of *Fig. 9.10*, the subtraction current is shown as being sourced by the summing junction. In reality, it is taken from Q110 emitter for three main reasons:

- a. The Current Driver input bias is removed, allowing a zero-offset reference.
- b. The control bias for the squarer is compensated at the earliest opportunity, reducing the required dynamic range of the driver.
- c. Q110 emitter voltage remains virtually constant for all squarer inputs.

Relocating the subtraction point does not affect the essential action of the square detector and driver, because of the current-mirror action of the driver.

Subtraction is valid only during times when a quasi-sinewave or sensed sinewave is being input to the Square Detector. Thus for periods C1 to C3 and C6 to C8, diode D8 is held in reverse bias by the signal 'DC SUBTRACT OFF' at logic-0. During periods C4, C5, C9 and C0, the signal is at logic-1, so D8 conducts and reverse-biases D5 and D6. The subtraction current passed by Q6 is then diverted through D8 from M20-11/3, the 'DC SUBTRACT OFF' parallel NOR gates' output being at logic-1 (*page 11.7-3*).

When an operator selects a different output value, the result is a change in amplitude of the quasi-sinewave. This unbalances the integrator input, so C25 charges to a different mean voltage at the output of M12. The DC subtraction current change takes place over a few comparator cycles until balance is restored, when C25 and C12 will have charged to a new voltage.

## 9.9.8 'AC ERROR' SIGNAL GENERATION

### 9.9.8.1 Integration and Sampling Circuit

The SIGNAL Integration and Sample-and-Hold circuitry is identical to the REF arrangement described in *Section 9.9.7*. Moreover, the SIGNAL Integrator M12 is the other half of a matched pair with the REF Integrator.

The difference lies in the timing. Switch M7-6 allows current to pass into the SIG integrator only during periods C6 to C9, so it is the SIGNAL (sensed sinewave)<sup>2</sup> current minus the (DC REF)<sup>2</sup> subtraction current which is integrated.

The integrator voltage is sampled and output as the 'AC ERROR' DC voltage (*sub-sections 9.2.4 and 9.9.2*), into the output amplitude control loop.

### 9.9.8.2 Output Amplitude Loop Action

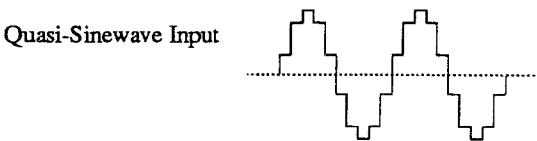
Consider the case of 'OUTPUT OFF'

- The quasi-sinewave has an amplitude determined by the 'OUTPUT' display value:
- The quasi-sinewave is squared and appears as a current in R35 during periods C1-C4, but because Q5 is conducting, the REF integrator capacitor C25 is discharged. Thus the DC subtraction current is effectively zero (it is actually sufficient to cancel the DC current in R35 due to the squarer bias).
- The AC ERROR signal voltage is zero, as Q4 conduction prevents any charge on the SIG integrator capacitor C26. Also, the output amplitude is zero, hence the sensed output applied to the squarer is zero.

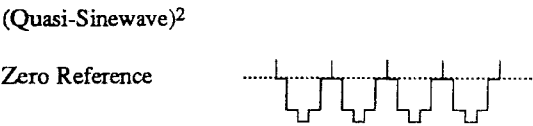
Therefore during periods C6-C9 the current in R35 is zero.

Now consider the case when OUTPUT is switched ON, with the OUTPUT display set to the minimum value of 9% of range:

As the quasi-sinewave is already present, it is squared into a negative-going waveform in R35.



During the first comparator cycle, this appears as a voltage at TP9 thus:



The standing bias on the Ref. V to I Converter has immediately set the (quasi-sinewave)<sup>2</sup> to an approximate zero mean.

The (quasi-sinewave)<sup>2</sup> current is integrated across C25, resulting in a positive 'REF ERROR' voltage after period C5, and hence a positive subtraction current in R35. The effect of the current can be seen in the TP9 voltage waveform: an increase of (quasi-sinewave)<sup>2</sup> amplitude is accompanied by a positive shift as its mean value seeks coincidence with zero.

After a few comparator cycles the current in R35 becomes charge-balanced about zero, the DC subtraction current stabilizing to a steady-state value.

Meanwhile, during the 'SIG' sections of the comparator cycle, the positive subtraction current is integrated across C26. A negative 'AC ERROR' voltage is generated, which increases the instrument output voltage via the VCA. This increase is detected by the sense feedback circuits. After squaring, the result is an AC current in R35, whose mean level begins to offset the effect of the subtraction current on the SIG integrator.

After a few comparator cycles, the AC SIG<sup>2</sup> mean current and the DC subtraction current are equal and opposite, so the current fed through R35 into the integrator is charge-balanced about zero. The integrator capacitor C26 is thus being charged and discharged by the same amount during each half-cycle of output (SIG<sup>2</sup> current being at twice the output frequency), so the AC ERROR voltage stabilizes.

*Fig. 9.14* illustrates three stages in the process of increasing output from zero; observing the current in R35 (ie. the voltage at TP9), the 'AC ERROR' signal, and the output sinewave. The waveforms are not to scale.

#### Stage 1.

This is the first cycle that the quasi-sinewave starts to charge C25. During period C6 a non-zero subtraction current is applied to the SIG integrator, resulting in a non-zero value of 'AC ERROR', starting at C0 as the integrator voltage is sampled. This causes the instrument sinewave output to rise from zero.

#### Stage 2.

On the next cycle the subtraction current imposes a positive shift on the R35 waveform during C1-C3 and C6-C8. The squared quasi-sinewave does not change in amplitude, but it is more equally balanced about zero, so the next increase in subtraction current will not be so great.

During C6-C8 the sinewave is being applied to the squarer, so TP9 exhibits its squared waveform shifted positively by the subtraction current. A smaller increase in 'AC ERROR' and output sinewave results, as the AC input to the SIG integrator is more equally balanced about zero.

#### Stage 3.

In this state the loop has stabilized. The squared quasi-sinewave and sensed sinewave are both charge-balanced about zero, the subtraction current and 'AC ERROR' have reached constant values, and the instrument output is stable.

### 9.9.8.3 'AC ERROR' V-to-I Converter

(Circuit Diagram 430844 page 11.7-6)

To avoid pick-up during transit, the ACERROR voltage is converted into a current, for transmission to the Error Amplifier on the Sine-Source Assembly. One half of M3 is used as a unity-gain inverting buffer, and the other as a voltage-to-current converter. The relay RL1 is not fitted, so M3-7 is linked directly to the test switch S1 'NORM' terminal.

At M3-7 the DC 'AC ERROR' voltage is inverted and used to drive the current converter via AN1-3/12. The current in AN1-4/13 is

mirrored by the current in AN1-11/6 (AC AMPL ERROR), which is sourced in the Sine-Source Assembly by M41a, the Error Amplifier (Circuit Diagram 430446 page 11.6-3).

As the AC ERROR signal DC voltage is varied by the comparator, the current in M41a input resistance also varies, and is converted into a varying voltage at M41a-1. This voltage is used to control the main voltage-controlled amplifier M48 via Q71.

For further information about the VCA, refer to Section 9.3.

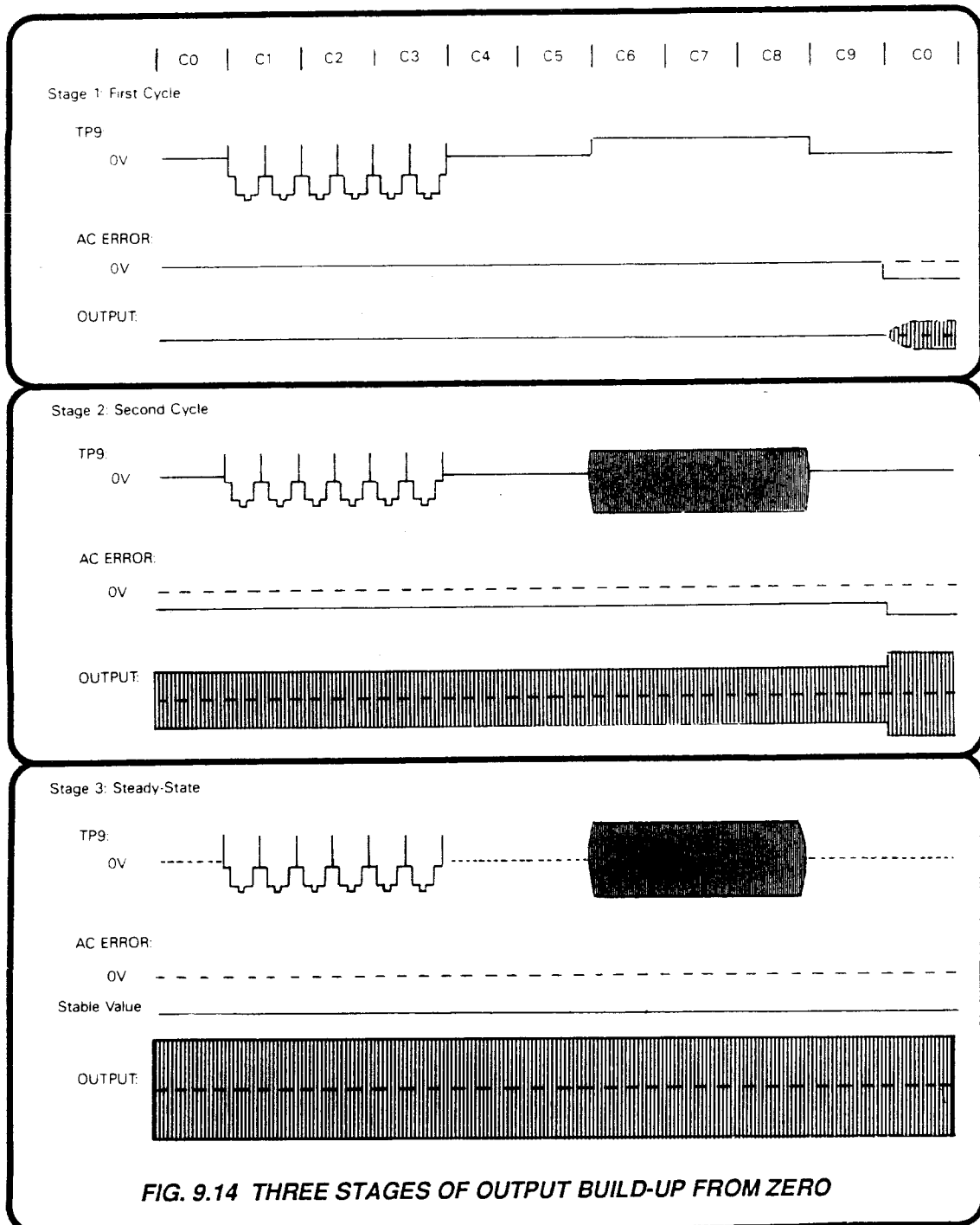


FIG. 9.14 THREE STAGES OF OUTPUT BUILD-UP FROM ZERO

## 9.10 LOGIC CONTROL OF AC OUTPUTS

The general aspects of analog control functions are discussed earlier in *sub-section 7.10*, subdivided as follows:

<b>7.10.1</b>	<b><i>Logic Levels</i></b>
<b>7.10.2</b>	<b><i>Heat Reduction</i></b>
<b>7.10.2.1</b>	<b><i>Update Considerations</i></b>

The AC signals are routed through the DC assembly on their way to the terminals and back; for the 10V, 100V and 1000V ranges they are amplified in the Power Amplifier assembly. The signals are subject to digital controls incorporated in those assemblies.

Descriptions of the controls in the DC and PA assemblies are indexed in *sub-sections 9.10.1 and 9.10.2*, below.

---

### 9.10.1 DC ASSEMBLY - LOGIC AND RELAY DRIVES

(Circuit Diagram 430536 Page 11.5-3)

The AC voltage output and sense signals pass through the DC assembly, and are affected by the analog control signals present there.

The effects of the control logic on the DC assembly are detailed in *Section 7*, subdivided as indexed, except for the 'HIGH I LIMIT' and 'AC 1kV RANGE' Logic.

As these two signals are activated only on the AC 1kV Range, their effects are described in *sub-section 9.7.6* (but reference is also made to relays 12 and 13 in *para 9.4.2.3*).

<b>7.11.1</b>	<b><i>Introduction</i></b>
<b>7.11.1.1</b>	<b><i>Latched Bistable Relays</i></b>
<b>7.11.1.2</b>	<b><i>Tristate' Relay Drivers</i></b>
<b>7.11.2</b>	<b><i>Clamp Assembly</i></b>
<b>7.11.2.1</b>	<b><i>UPD(IG) Distribution</i></b>
<b>7.11.2.2</b>	<b><i>Buffer Clamping</i></b>
<b>7.11.3</b>	<b><i>DC Assembly Switching Logic</i></b>
<b>7.11.3.1</b>	<b><i>DC Range Switching Logic</i></b>
<b>7.11.3.2</b>	<b><i>Function and Output Switching Logic</i></b>

---

### 9.10.2 PA ASSEMBLY - LOGIC AND RELAY DRIVES

(Circuit Diagram 430618 Page 11.9-5)

The extensive switching needed to control the many modes of operation of the Power Amplifier assembly, is described earlier in *Section 7.12*. The subjects are subdivided as listed below:

<b>7.12.1</b>	<b><i>DC Range Switching</i></b>	<b>7.12.7</b>	<b><i>'LIM ST' Logic</i></b>
<b>7.12.2</b>	<b><i>AC Range Switching</i></b>	<b>7.12.7.1</b>	<b><i>'LIM DET'</i></b>
<b>7.12.3</b>	<b><i>Function and Ranging Logic</i></b>	<b>7.12.7.2</b>	<b><i>'LIM ST' Generation</i></b>
<b>7.12.4</b>	<b><i>'PA CLAMP ON' Signal</i></b>	<b>7.12.7.3</b>	<b><i>CPU Response</i></b>
<b>7.12.5</b>	<b><i>'400V ENABLE' Logic</i></b>	<b>7.12.8</b>	<b><i>'LF', 'LF' and '1kV GAIN'</i></b>
<b>7.12.6</b>	<b><i>'BIAS OFF' Logic</i></b>	<b>7.12.9</b>	<b><i>Thermistor Comparator</i></b>

---

### 9.10.3 AC ASSEMBLY LOGIC AND RELAY DRIVES (Circuit Diagrams 430844 Page 11.7-5)

The analog control signals are transferred into guard on the Reference Divider assembly, and latched as 'Q' outputs in the Serial/Parallel Data Converter. Offset positive logic is used:

$$\text{logic-}\emptyset = -15\text{V}, \text{logic-}1 = 0\text{V}.$$

The signals enter the AC assembly via J7 from the Mother assembly.

M28 and M29 are inverting, open-collector Darlington drivers. The relay-drive logic places a logic-1 (0V) on the input of the selected drivers and logic- $\emptyset$  (-15V) on those not required. A selected driver operates its relay by pulling its output to -14V.

Whenever a switching command has been received, the CPU performs a control-data transfer and the  $\overline{\text{UPD}}(\overline{\text{IG}})$  line from J7-53 is pulsed to logic- $\emptyset$  for 50ms. Q19 is turned on, applying +15V to the relays connected to its collector. The selected relays are thus energized by 30V, but after the  $\overline{\text{UPD}}(\overline{\text{IG}})$  pulse has ended Q19 turns off, and they are held on by the -12.6V between -1.4V at the cathode of D20 and -14V at the selected driver output. This method reduces the heat, generated locally by energized relay solenoids, in the relay contacts.

FETs Q42 and Q43 damp the coils of RL12 and RL13; diodes D59 and D60 isolate parts of the printed circuit to these relays, which are sensitive to power-common breakthrough when they are deselected. D55 and D56 are overswing diodes.

---

#### 9.10.3.1 Range Switching (Page 11.7-5)

Range control data is input as a 3-bit code on  $\text{ACR}_0$ ,  $\text{ACR}_1$  and  $\text{ACR}_2$  lines. The bit-pattern is decoded to '1 of 8' by M25, to energize the correct relays for the selected range. In this instrument only eight of the M25 'Q' outputs are connected. The resulting variants are listed in *Table 9.1* against range selections.

#### 9.10.3.2 $\overline{\text{AC FNCT}}$ and $\overline{\text{IFNCT}}$ Logic (Page 11.7-5)

In addition to its primary function of controlling AC Voltage range switching, the AC assembly logic also needs to respond to AC Current range selections if Option 20 is fitted; because the AC voltage reference for the Current/Ohms assembly is generated by the Voltage circuitry. For this purpose the two signals  $\overline{\text{AC FNCT}}$  and  $\overline{\text{IFNCT}}$  are used.

$\overline{\text{AC FNCT}}$  is at logic- $\emptyset$  only when AC Voltage output is selected, holding M25-11 'D' input at logic- $\emptyset$ , and energizing relays RL2 and RL10. This connects the star-point at Common-2B to the PLO(ACV) line (J7-31) and SIG LO to the SLO(ACV) line (J7-32) (*page 11.7-1*). The bit-patterns controlling the voltage range switching are shown on *Table 9.1*.

$\overline{\text{IFNCT}}$  is at logic- $\emptyset$  only when Current output is selected, holding M25-11 'D' input at logic- $\emptyset$ , and energizing relays RL2 and RL9. This connects the ACI REF lines (J7-69 to J7-72) to the ACV lines (*page 11.7-1*). The 10V range output is used as reference for the 100mA, 10mA and 1mA Current ranges, but the 1V range output is used for the 100 $\mu$ A and 1A ranges. The bit-patterns controlling the current range switching are also shown on *Table 9.1*.

The signals  $\overline{\text{AC FNCT}}$  and  $\overline{\text{IFNCT}}$  are never at logic- $\emptyset$  at the same time in normal operation. The only time they are at logic-1 together is when all outputs from the Control Data latches in the Reference Divider are 'Tristated'. 'DCI' ensures that RL2 and RL9 cannot be energized by selection of DC Current ranges.

#### 9.10.3.3 'AC Zero'

For zero output, the lines from the voltage generators to the I+ and I- terminals are disconnected by deselection of the ranges, and a hard short is placed across the output lines by RL18.

The  $\text{ACR}_{2,0}$  code is '1,1,1'. This sets M25-4 to logic-1 (energizing relay RL18) and all other M25 range outputs to logic- $\emptyset$  (the resultant bit-pattern is shown in *Table 9.1*). Thus all ranges are deselected, but relays RL2 (ACV and ACI), RL3 (AC Low Voltage Output), RL10 (ACV) and RL19 (1kV) remain energized. Relay RL18 connects the PLO(ACV) star-point of Common-2B to the PHI(ACV) line.

#### 9.10.3.4 'BARK DELAYED'

The 'BARK' signal does not affect the AC assembly relays. However, if the Watchdog is activated, the CPU imposes OUTPUT OFF conditions and forces the Precision DC Reference to ramp down to zero, so the PHI REF voltage also falls to zero.

All outputs from the Control Data latches in the Reference Divider (*page 11.4-4*) are 'Tristated' by the 'BARK DELAYED' signal. This allows the pull-up resistors (AN4 and AN5) to become effective.

The  $\overline{\text{AC FNCT}}$  and  $\overline{\text{IFNCT}}$  are pulled to logic-1, and the  $\text{ACR}_{2,0}$  code is '1,1,1'. This imposes 'AC Zero' conditions on the analog circuit, but RL2, RL9 and RL10 are also de-energized. So the DC precision reference is disconnected from the input to the quasi-sinewave generator; the ACI(REF) is disconnected from the input to the AC Current circuitry, and the Sense and Power Lo lines are disconnected from the sense amplifiers.

Function Note [1]	Range	Range Code			M25 Output at Logic-1		Relays Energized [* = Energized]																			
		ACR <sub>2</sub>	ACR <sub>1</sub>	ACR <sub>g</sub>	'Q'	Pin	2	3	4	5	6	7	8	9	10	11	12	13	14	15	16	17	18	19	20	
AC Volts	1000V	0	0	0	Q0	3	.								.			.			.				.	
	100V	0	0	1	Q1	14	.								.				.		.		.		.	
	AC FNCT at Logic-0.	10V	0	1	0	Q2	2	.	.						.				.			.		.		.
		1V	0	1	1	Q3	15	.	.			.	.		.				.			.		.		.
	IFNCT at Logic-1)	100mV	1	0	0	Q4	1	.	.	.		.			.	.	.		.			.		.		.
		10mV	1	0	1	Q5	6	.	.	.	.				.	.	.		.			.		.		.
		1mV	1	1	0	Q6	7	.	.						.	.	.		.			.		.		.
	Any	1	1	1	Q7	4	.	.						.				.			.		.		.	
AC Current	100μA } 1A }	0	1	1	Q3	15	.	.			.	.	.		.			.			.		.		.	
		IFNCT at Logic-0)	1mA } 10mA } 100mA }	0	1	0	Q2	2	.	.					.				.			.		.		.

Note[1] In normal operation, unless the SAFETY message is displayed; either AC FNCT or IFNCT, but not both, will be at Logic-0.

TABLE 9.1 AC ASSEMBLY SWITCHING LOGIC



# SECTION 10 CURRENT OUTPUTS AND RESISTANCE (Option 30)

## 10.1 DC AND AC CURRENT

The circuits described in this sub-section perform the following functions:

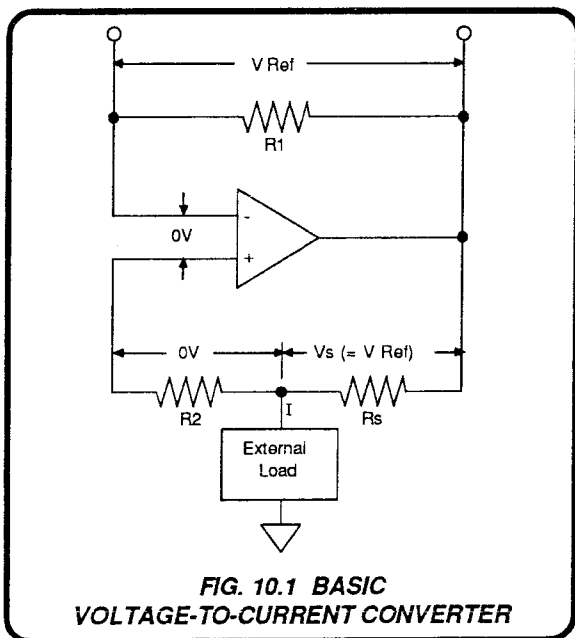
- Divide the DC reference voltage by 10 to (-2V to +2V).
- Generate a DC output current whose value varies directly as the reduced value of the DC reference Voltage.
- Convert the ACI Reference Voltage into an AC reference current, having a high-impedance source.
- Generate an output current whose value varies directly as the value of the AC reference current.
- Provide switching of the DC or AC Current Range and Output, under the control of the Analog Control Interface.
- Sense excess output (compliance) voltage, providing a status signal to the CPU via the Analog Control Interface.

The voltage-to-current converter is located on the Current/Ohms assembly, providing five DC and five AC ranges of current output. The nominal full range values are 1A, 100mA, 10mA, 1mA and 100µA, each extending to 100% overrange, for both DC and AC Current selections. The output is drawn from the instrument I+ and I- terminals; the Hi and Lo terminals not being used.

### 10.1.1 VOLTAGE-TO-CURRENT CONVERTER

Fig. 10.1 shows the basic arrangement. A DC or AC reference voltage is developed across R1 between the output and the inverting input of the high-gain amplifier. Its output connects to its other input by a 'shunt' network, part of which carries the output current.

The combined feedback forces the differential input to zero. The current in the positive feedback path is adjusted until the full value of the reference is developed across the path. For example in Fig. 10.1 no current flows in R2, so all of VRef is developed across Rs. The values of VRef and 'shunt' Rs thus determine the value of current flowing in the external circuit. Rs is switched to select the range, and VRef is varied to set the output current within the range.



### 10.1.2 AC CURRENT GENERATOR

(Circuit Diagrams 430614 Page 11.8-1 and 430540 Page 7.13-3)

Because a return path is needed for the output current, a 'compliance' signal voltage appears between the I+ and I- terminals. The magnitude of this voltage is specified in the User's Handbook, and the specification is met by floating the input to the output amplifier.

On the DC ranges the floating DC reference is input directly into the output amplifier, which therefore acts as a voltage to current converter in the style of Fig. 10.1. Resistors R44 and R45 provide 10:1 attenuation, to set the 'VRef' to 1/10 of the reference value.

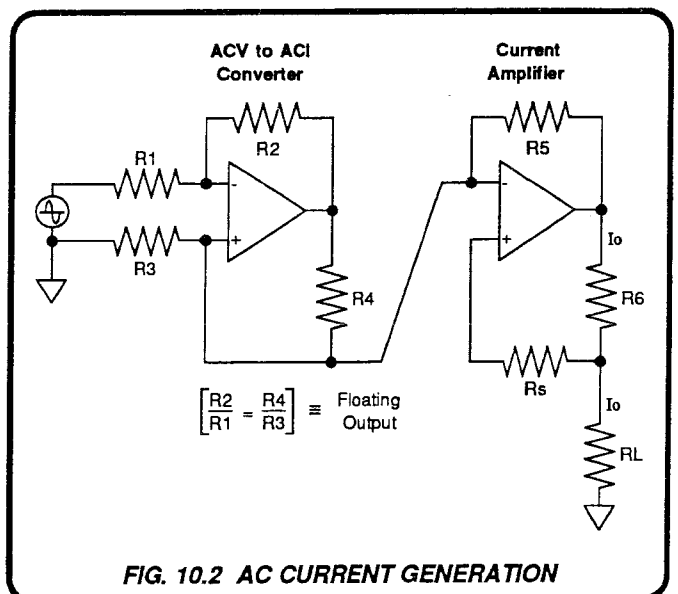
For AC ranges the ACI Reference is buffered from the output amplifier in a two-stage circuit. A fixed voltage-to-current conversion stage is followed by a range-switchable current amplifier (the latter is the voltage-to-current converter for DC ranges). The combination is simplified at Fig. 10.2.

In the figure, the AC Reference voltage is applied via two resistors R1 and R3 to both inputs of the first stage. It is arranged for the resistor values to conform to:

$$\frac{R_2}{R_1} = \frac{R_4}{R_3}$$

so the output impedance of the stage is virtually infinite, and its output 'floats'.

The second stage is a current amplifier, receiving the output current of the fixed stage to generate a voltage across R5. This voltage is repeated across R6, whose value is range-switched. Any resistor Rs does not affect the output, carrying no current. The current amplifier supplies are bootstrapped to improve common mode rejection.



### 10.1.3 DC AND AC REFERENCE - SOURCING AND SCALING

The DC output currents are bipolar, controlled within each range by the value of reference voltage (REF) applied directly from the Reference Divider. On all DC ranges, REF is divided by 10 in the input attenuator. On the 1mA, 10mA and 100mA ranges, the span is  $\pm 20V$ , so a full scale span of  $\pm 2V$  can be applied across the selected range shunt.

To optimize the choice of components and minimize the number of relays required for range switching, the DC reference for the other two ranges is additionally divided by 10 in software. On the 1A Range a full scale span of  $\pm 200mV$  can be applied across its  $0.1\Omega$  shunt, and for the  $100\mu A$  Range the  $\pm 200mV$  can be applied across the combined shunt resistance of  $1000\Omega$  assigned to the 1mA Range.

The AC output currents are controlled within each range by the value and frequency of the ACI(REF) voltage. This reference voltage is generated by the circuitry used for AC voltage ranges: the 10V Range for the 1mA, 10mA and 100mA ranges; but the 1V Range for the  $100\mu A$  and 1A ranges. Thus the same shunt values and switching relays can be used for both AC and DC current outputs. The highest frequency available is 5kHz.

### 10.1.4 DC CURRENT REFERENCE '(REF)'

(Circuit Diagrams 430652 Page 11.4-3  
and 430614 Page 11.8-1)

The (REF) signal is the main DC reference for the whole instrument. It is sourced in the Reference Divider on J4-9/10/11/12 (page 11.4-3) as a 4-wire output, which enters the Current/Ohms assembly from the Mother assembly on J8-1/2/3/4 (page 11.8-1). Relay RL7 is activated for DC Current Ranges, so the PHI(REF) and PLO(REF) levels are sensed at TP3 and TP4 respectively.

(REF) is divided by R43/R44, so  $1/10$  of (REF) is developed across R43, and applied between the inverting input of the V-I converter and the output of the Darlingtons on the PS/I heatsink at J19-7 (one of the relay contacts RL1-2/3 or RL1-10/11 is always made).

### 10.1.5 AC CURRENT REFERENCE 'PHI (ACI REF)'

(Circuit Diagrams 430844 Page 11.7-1  
and 430614 Page 11.8-1)

On the  $100\mu A$  and 1A ranges, the AC 1V Range circuit provides the 2V RMS Full Scale reference; on the 1mA, 10mA and 100mA ranges the AC 10V Range circuit provides 20V RMS at Full Scale.

On the AC assembly (Page 11.7-1), for T' function, RL9 is energized and RL10 is not. The reference voltage for the current generator is derived from the PHI (ACV) and PLO (ACV) signals; and sensed at the input to the Current/Ohms assembly. The sensed ACI REF is returned to the appropriate connections on the 1V/10V Sense Amplifier. The 4-wire connections are made via J7, pins 69 to 71, to the same pins of J8 on the Current/Ohms assembly.

The AC preamplifier M8 divides the reference voltage by 10, so that the value of the RMS voltage applied to R43 is the same as the DC voltage applied for corresponding range and output settings.

### 10.1.6 RANGE SELECTION

Fig. 10.3 shows two Range configurations of the current amplifier. In each case V Ref is 10% of the reference voltage. RL1 is a bistable latching relay, in which the polarity of the solenoid current determines which state is selected. Solenoid current is not required for hold-on, being necessary only to change state.

The voltage across the I+ and I- terminals is allowed to rise to 3V DC or RMS with full compliance. Each range incorporates a series resistive element connecting the range selection relay contact to the I+ terminal. These resistors enhance the stability of the circuit, with reactive loads.

#### 10.1.6.1 1A Range (Refer to Fig. 10.3a)

Relay RL1 is activated to close contacts 8/9, 11/10 and open contacts 2/3. Relays RL2, 3, 4, and 5 are not energized. The only output current path available is through the  $0.1\Omega$  shunt R80. Thus in the positive feedback path all of V Ref is developed across R80, and no current flows in R79, R8, R9 or R10. As V Ref is scaled to 100mV DC or RMS Full Range, the full range output current in R80 is:  $100mV/0.1\Omega = 1A$ .

#### 10.1.6.2 100mA, 10mA, and 1mA Ranges (Refer to Fig. 10.3b)

Relay RL1 is activated so that contact RL1-3/2 is closed, contacts RL1-10/11 and 8/9 are open. One relay from RL2, 3 and 4 is energized by range, RL5 is also energized on the 10mA and 100mA ranges for extra HF filtering. All currents now avoid the  $0.1\Omega$  shunt, passing instead through the  $10\Omega$  shunt R79.

R79 is mounted with R80 on a separate heatsink assembly, plugged into the main Current/Ohms assembly (refer to the Layout Drawing, page 11.8-1 for alternative versions).

On the 100mA range, VRef is scaled to 1V DC or RMS Full Range, so the full range current flowing through R79 to the I+ terminal via RL3-14/8 is:  $1V/10\Omega = 100mA$ .

For the 10mA range, R8 ( $90.00\Omega$ ) is included in the current path, so the full range output current is reduced to 10mA.  $900.0\Omega$  (R9) is added on the 1mA range.

#### 10.1.6.3 $100\mu A$ Range (Refer to Fig. 10.3b)

The hardware is switched as for the 1mA range, but either the DC REF voltage is scaled in software to 1V full range, or the ACI REF voltage is obtained, as for the 1A range, from the AC 1V range circuitry. Thus VRef is scaled to 100mV DC or RMS Full Range, and the full range output current is  $100\mu A$ .

#### 10.1.6.4 10A Range

The selection of the 10A range is only possible if a model 4600 amplifier is connected to the instrument using the digital and analog control busses, as described in sections 6.1.9 and 7.3.8. Since the 4600 relies on the provision of an input voltage to convert to an output current, operation of the 4708 in 10A range is discussed in the DC Voltage and AC Voltage generation sections.

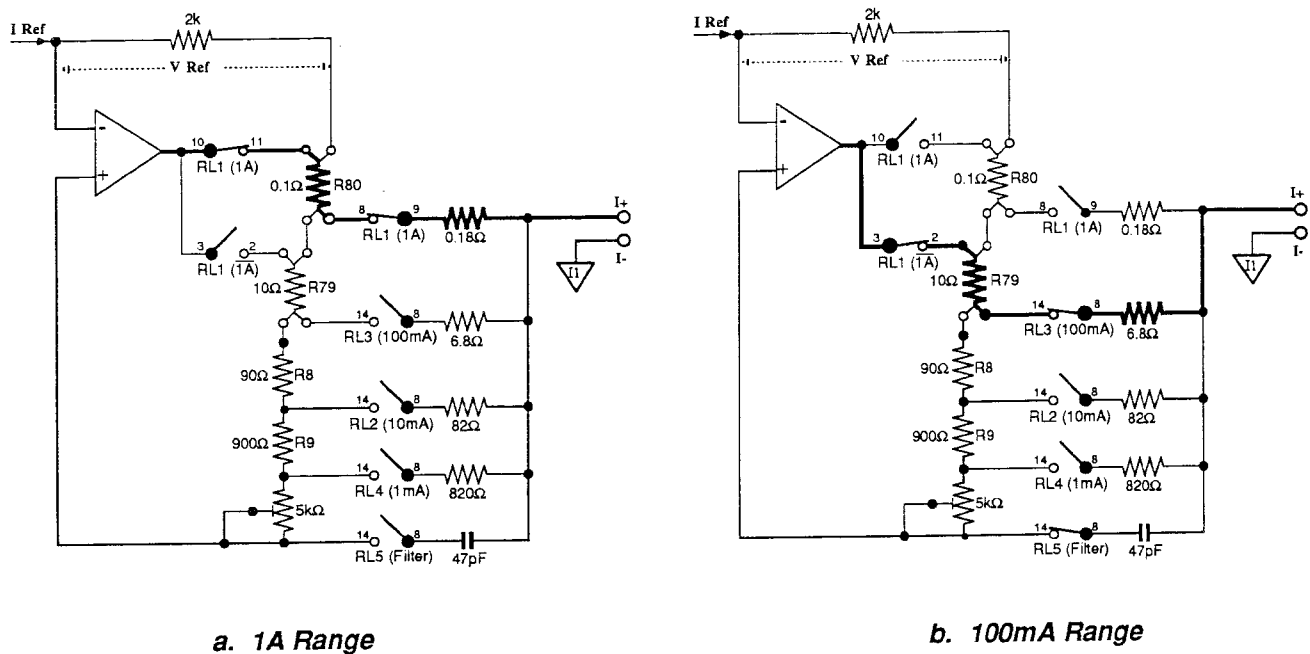


FIG. 10.3 CURRENT RANGE CONFIGURATIONS

## 10.1.7 DC VOLTAGE-TO-CURRENT CONVERSION

The value of the REF input sets the output current value, scaled for range as described earlier. REF is coupled: Hi (TP3) to the output, and Lo (TP4) to the inverting input through R44.

The conversion amplifier is in two sections: a voltage preamplifier on the Current/Ohms assembly (page 11.8-1), and a power amplifier on the PS/I Heatsink assembly (page 11.13-3). The latter is also drawn, for convenience, on page 11.8-1.

The whole amplifier is also used as the Current Amplifier for AC output currents. In that case it is preceded by the AC preamplifier M8 (sub-section 10.1.9).

### 10.1.7.1 Voltage Preamplifier

M3, M4 and Q6 form a high-gain, chopper-stabilized voltage amplifier. M3, itself a chopper-stabilized amplifier of high gain and approximately 10Hz bandwidth, trims the input offset of Q6, which provides the bandwidth necessary to pass the signal frequencies and reject common-mode noise.

M4 contributes additional gain and drives the high-current output stage via link TLE. Its load, consisting of R26, R23 and R28 shunted by Q7 in the Heatsink assembly, is supplied with a constant current by Q9, D6 and Q11. Additional frequency compensation is provided by C43 and R81.

The supplies to Q6 and M3 are bootstrapped by M7 for common-mode rejection, also linearizing the preamplifier's dynamic response. Extensive screening and filtering is employed to eliminate the effects of the chopping spikes at the inputs and output of M3.

### 10.1.7.2 High Current Output Stage

(Circuit Diagrams 430614 Page 11.8-1 and 430540 Page 11.13-3)

The main current amplifier and temperature-sensing driver load (Q7) are located on the PS/I Heatsink assembly. The quiescent current 'SET I<sub>Q</sub>' adjustment is situated on the Current/Ohms assembly.

### 10.1.7.3 Temperature Compensation

Transistor Q7, thermally attached to the heatsink and in parallel with R26, R23 and R28 on the Current/Ohms assembly, acts as the load for the preamp. buffer. As the heatsink temperature increases, Q7 conduction increases, reducing the drive to the current amplifier. This compensates for increased intrinsic quiescent current in the two Darlington output devices.

### 10.1.7.4 Quiescent Current Adjustment

FET Q9 acts as constant 1.4mA ballast for the 3.3V zener diode D6, which sets the voltage across R27 to approx. 2.6V. This establishes the collector current in Q11, generating a constant current in the buffer load.

The voltage across the load is supplied to the PS/I heatsink as drive for the high-current amplifier. The tapping at J8-110 sets the base conduction level of Q7 on the heatsink, which in turn sets the level of its collector conduction, adjustable by R23. This therefore adjusts the quiescent current in the output devices Q1 and Q2.

### 10.1.7.5 Power Amplifier

Darlington emitter-followers Q1 and Q2 form the power output amplifier, current-limited by Q5 and Q6. The bias is set to provide some 100mA of quiescent current, which reduces the output resistance of the stage, improving the dynamic response of the output current. This also suppresses any tendency for the drive from

the preamp buffer to fluctuate for output currents around zero; as the drive voltage must slew through approximately 1.3V after switching one device off before the other is switched on. The current shunts complete the feedback and output current being fed to the I+ terminal via protection circuitry and output switching.

---

## 10.1.8 AC VOLTAGE-TO-CURRENT CONVERSION

### 10.1.8.1 AC Voltage-to-Current Converter M8

(Circuit Diagram 430614 Page 11.8-1)

The reference voltage PHI(ACI REF) is applied to the inverting input of M8 via resistor R45, with R46 as feedback resistor. Similarly R47 and R48 are connected on the non-inverting side. The 18M $\Omega$  resistors R82 and R83 shunt R47 to allow compliance adjustment by R31. R86 refers the input to Common-I1, the main 'signal' common.

### 10.1.8.2 Current Amplifier

The output AC current from the converter, flowing through R48 to restore M8 input virtual-common, passes via R85 into the Current Amplifier feedback resistor R43. It generates a reference AC voltage between the output of the whole Current Amplifier and its inverting input. This is reflected on its non-inverting side by the current flowing through the range-switched output 'shunts'.

The whole amplifier is also used as the Voltage-to-Current Converter for DC output currents (*sub-section 10.1.8*). The Preamplifier and Output sections have the same operation as in the DC case.

---

## 10.1.9 OUTPUT PROTECTION

Diodes D18 and D19 are 5V, 5 Watt zeners, placing an absolute limit on the excursions of output voltage. The output compliance specification is valid only up to 3V DC or RMS at the output terminals. Nevertheless, occasions may arise when a user overloads the circuit by attempting to drive current into open circuit (e.g. by disconnecting from a load with OUTPUT ON). In this case D18 and D19 protect any voltage-sensitive load by limiting the output voltage to 5V. But before the voltage reaches this limit, the overvoltage protection circuit generates the LIM ST signal.

### 10.1.9.1 Guard Buffers

M1 guards out the leakage of D18 and D19 in normal operation, and protects against other leakage, by maintaining the output screens and shields around the output circuitry at the output potential. In addition to its bootstrap function, M7 also acts as a buffer for guards around the amplifier input, thus preventing any common-mode disturbances from affecting the performance of the main amplifier.

### 10.1.9.2 Overvoltage Detection

The output guard buffer M1 drives the overvoltage detection circuit. M15 divides the output voltage by two and acts as an inverting full-wave rectifier, accommodating AC and both polarities of DC. The full-wave rectified voltage at M15-14 thus increases negatively as the output voltage increases, charging C32 to its mean value at M15-10. M15-9 is biased to -2.2V, so M15-8 reverse biases D10 unless the terminal voltage exceeds 4.8V RMS, when M15-8 swings to the negative rail and pulls the LIM ST line to -15V (logic-0).

The diode D10 is part of a diode-OR gate, linking LIM ST to the LIM ST line, which enters the Reference Divider at J4-76. The CPU receives the LIM ST status signal via the SSDA serial interface, and if at logic-0 presents the 'Error OL' message on the MODE display. If in the 100mA or 1A range, the Output is turned off and the DC precision reference is ramped to zero, to limit the power developed as heat within the instrument. Other sources and the effects of the LIM ST signal are described in *sub-section 7.12.7*.

## 10.2 RESISTANCE

### 10.2.1 INTRODUCTION

Eight standard resistors are mounted on the Current/Ohms Assembly, each being part of a combination whose total resistance is factory-adjusted to a value close to nominal. They are 4-wire connected to the instrument terminals by range-selection relays. Nominal values are 10 $\Omega$ , 100 $\Omega$ , 1k $\Omega$ , 10k $\Omega$ , 100k $\Omega$ , 1M $\Omega$ , 10M $\Omega$  and 100M $\Omega$ .

### 10.2.2 RESISTOR CIRCUITS

#### 10.2.2.1 4-Wire Connection Symmetry. (Circuit Diagram No. 430614 Page 11.8-3).

For any given resistor combination, the connections on the Hi side are made through contacts of the same relays used for the Lo side, except for the ' $\Omega$  OUTPUT' relays RL24 and RL25. This ensures that both sides of each resistor connect to the front panel terminals through the same number of similar thermal connections.

To achieve the low leakage required for the Megohm ranges, particularly for the 100M $\Omega$  range, a further relay RL17 is used to isolate the parallel leakage paths of the lower range circuits.

The use of latching relays eliminates the heating effect from their solenoids. But it is important that all non-thermal relay contacts are made back-to-back to cancel thermal effects. Thus only the connections to non-latching relays RL24 and RL25 actually need to be back-to-back, although most others are.

This symmetrical, 4-wire arrangement transfers the stability and accuracy of each resistor to the front (or rear) panel terminals.

#### 10.2.2.2 4-Wire Junctions and Pre-set Trimming.

R63, R64, R65 and R72 are 4-wire resistors, so for 10 $\Omega$ -10K $\Omega$  selections the 4-wire junction is at the standard resistor itself. These resistors are parallel-trimmed. R62, R74, R73 and R71 are two-wire resistors. For these higher resistance values, 100K $\Omega$ , 1M $\Omega$ , 10M $\Omega$  and 100M $\Omega$ , series trimming is used and the 4-wire junctions enclose the series chain.

Trimming resistors are selected and adjusted in the factory, in a carefully-controlled environment, against traceable standards.

### 10.2.3 METHODS OF CALIBRATION

#### 10.2.3.1 Routine Autocalibration

The nominal value of each standard resistor is labelled below its RANGE key. When the key is pressed, the OUTPUT display does not show nominal; but instead gives the value measured at its most recent calibration. This is the main criterion for many users, rather than having the resistor internally trimmed to nominal. So routine recalibration consists of accurately measuring the resistor value and

setting the display to read that measured value, without removing the instrument covers (*sub-section 1.2.10*). The factor which corrects the nominal value to the measured value is stored in non-volatile RAM on the Digital assembly.

During recalibration, if a user enters a value on the OUTPUT display which is outside the span of the calibration memory, the instrument displays "Error 6" (*Section 1.2*). As any resistor drift is normally just a fraction of the span, "Error 6" appears only when an erroneous value is entered, (eg. if a resistor's value has been changed by the stress of an overload).

#### 10.2.3.2 Internal Adjustment

A severe overload can alter a resistor's value, possibly taking it out of its calibration memory span. To restore the value to one which can be entered from the front panel, each resistor combination includes an internal trimmer (*para 10.2.2.2*). A procedure for adjustment of the trimmers is given in *sub-section 1.5*, but this should be limited to values less than about 50ppm outside tolerance. If a resistor is found to be more than  $\pm 50$ ppm outside its tolerance, it is likely to be unserviceably damaged, so it is advisable to have such a resistor tested or replaced by an agent of Datron Instruments.

### 10.2.4 USE OF 'Remote Sense' KEY

#### 10.2.4.1 4-wire/2-wire Display Values.

In  $\Omega$  function, selection of Remote Sense mode (Key LED lit) displays the measured value for the 4-wire connection, but with the Remote Sense LED unlit, the 2-wire value is displayed.

#### 10.2.4.2 Two-wire Connections.

To avoid the intrusion of extra thermal voltages, no additional switching is employed for selection of 2-wire connections. Users are recommended to connect only to the Hi/Lo terminals, so the 2-wire mode should be recalibrated at these terminals.

### 10.2.5 OHMS ZERO

With  $\Omega$  function selected, pressing the zero key on the front panel closes the contacts of relay RL16. This provides a true 4-wire short, the existing resistor remaining connected.

If the Remote Sense LED is lit, the displayed value is zero and cannot be calibrated; but if unlit, the resistance of the short plus internal wiring can be measured and entered on the display, using four-wire measurement at the Hi and Lo terminals. Subsequently, each time the 'Zero' key is pressed in ' $\Omega$ ' function with the Remote Sense key LED unlit, this entered value will be displayed.

## 10.3 FUNCTION SWITCHING.

### 10.3.1 OUTPUT CONNECTIONS - FUNCTION ROUTING

(Circuit Diagram 430614 Pages 11.8-1 and 11.8-3)

The PHI, PLO, SHI and SLO connections are routed via the Current/Ohms assembly, and it is there that they are switched between functions. The outputs of the three functions V, I and  $\Omega$  are switched by separate relays onto the terminal lines (Fig 10.4):

#### Voltage Outputs

Relays RL8, RL9, RL24 and RL25 are de-energized as shown on pages 11.8-1 and 11.8-3. The DC or AC Voltage Power and Sense connections to the DC assembly are routed out to the I+, I-, Hi and Lo terminals via latching relay RL23 closed contacts.

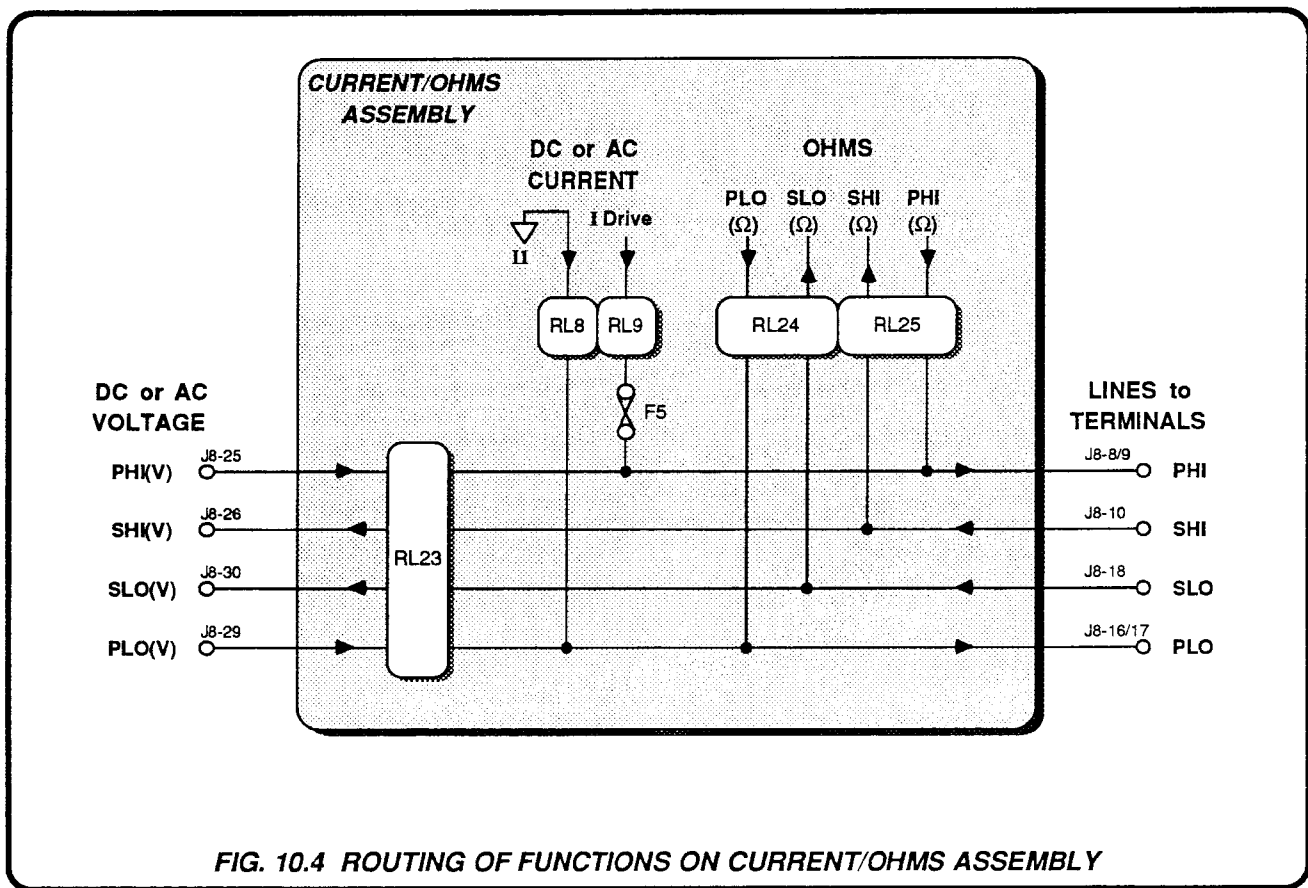
**NB** If Option 20 is not fitted, the Current/Ohms Link pcb is fitted in its place to make direct connection from the DC assembly to the terminals (Section 3).

#### Current Outputs

Relay RL23 contacts are latched open; relays RL24 and RL25 are un-energized; relays RL8 and RL9 are energized to connect the output from the selected shunt to the PHI and PLO lines only.

#### Resistance

Relay RL23 contacts are latched open; relays RL8 and RL9 are un-energized; relays RL24 and RL25 are energized to connect the selected standard resistor to the four PHI, PLO, SHI and SLO lines, regardless of the state of Remote/Local switching. To avoid the intrusion of extra thermal voltages, no additional switching is employed for selection of 2-wire connections.



## 10.4 CURRENT/OHMS ASSEMBLY ANALOG CONTROL

### 10.4.1 INTRODUCTION

(Circuit Diagram 430614 *Page 11.8-2*)

#### 10.4.1.1 Control Signals

The analog control signals are transferred into guard on the Reference Divider assembly, and latched as 'Q' outputs in the Serial/Parallel Data Converter. Offset positive logic is used:

logic- $\emptyset$  = -15V, logic-1 = 0V.

The signals enter the Current/Ohms assembly via J8 from the Mother assembly.

#### 10.4.1.2 Types of Relays

##### Guarded Reed Relays

Relays RL2, 3, 4 and 5 are guarded reed relays activated and held on by 15V.

##### 24V Relays

Relays RL 8, 9, 24 and 25 are 24V relays, activated during the 50ms  $\overline{\text{UPD}}(\overline{\text{IG}})$  pulse by approx. 30V, but held on by 15V.

##### Polarized Relays

Relays RL1, 7, 10, 11, 12, 13, 14, 16, 17, 18, 19, 20, 23 and 26 are 6V latching relays, activated by approx. 7.5V; between M10-13 at -7.5V and either 0V or -15V from the drive output of the clamp assembly. These relays, strung out between the output of their bias amplifier (M10) and the Clamp assembly, are activated only during the 50ms  $\overline{\text{UPD}}(\overline{\text{IG}})$  pulse. They are polarized bistable relays, which require no hold-on power.

### 10.4.2 LATCHING RELAYS AND CLAMPING

The Ohms and DC Current circuitry is mainly controlled by low-thermal relays, many contacts being fitted back-to-back to reduce temperature effects. For the fastest response, the output relays RL8, 9, 24 and 25 are not latched, but can trip out quickly if the power supply fails, removing any sensitive circuitry from the terminals.

All the other Ohms relays, the AC/DC Current changeover relays, 1A Range relay, and Voltage output relay are latched; allowing hold-on without power, to minimize the internal temperature at their contacts. As they are polarized they need a bipolar actuating drive, which is provided by 'Tristate' relay drivers and a bias amplifier.

#### 10.4.2.1 Latched Bistable Relays

(Circuit Diagram 430614 *page 11.8-2*).

As can be seen from the circuit diagram on *page 11.8-2*, the relays are strung out between the output of their bias amplifier (-7.5V at M10-13) and the drive outputs from the Clamp assembly.

The bias amplifier M10 is a frequency-compensated voltage follower, buffering the tapping of attenuator AN5/R97. So one side of each relay is held permanently at -7.5V. The relay drivers on the Clamp assembly can provide outputs at 0V or -15V when enabled by the  $\overline{\text{UPD}}(\overline{\text{IG}})$  pulse, but return to tristate when disabled. A relay is therefore driven to one or the other of its bistable states during update, then magnetically latched in the chosen state when the driver output returns to open-circuit.

All the latched relays except RL17 operate in the same polarity sense: when its driver output updates at logic-1 (0V), the relay latches to select its nominal function; for a logic- $\emptyset$  (-15V) update, the function is deselected. For RL17 these conditions are reversed. In the analog circuit diagrams, the relay contacts are shown in their deselected state, equivalent to the un-energized state of a conventional non-latching relay. In the analog descriptions relays may be referred to as being 'energized' or 'un-energized'.

#### 10.4.2.2 'Tristate' Relay Drivers

(Circuit Diagram 430669 *Page 10-9*).

The relay drivers (M1 and M3 on the Clamp assembly) are octal 'Tristate' buffers. Each chip is served by two inverted enable inputs on pins 1 and 19 (four buffers - half the chip - per enabling input).

Whenever a switching command has been received, the CPU performs a control data transfer and the  $\overline{\text{UPD}}(\overline{\text{IG}})$  line from J8-60 is pulsed to -15V for 50ms.

Generally, the switching logic places a logic-1 (0V) on the input of selected drivers, and logic- $\emptyset$  (-15V) on those whose function is not selected. Because all the buffers are non-inverting, during the update pulse a driver selects its function by setting its output voltage to 0V, deselecting by pulling its output voltage to -15V. The driver serving RL17 (M3-15/5) performs in reverse, J13-15 being pulled to logic- $\emptyset$  to allow selection of the lower resistance ranges.

### 10.4.3 CLAMP ASSEMBLY

(Circuit Diagrams 430614 Page 11.8-2  
and 430669 Page 10-9).

On the Current/Ohms Relay Drive Logic circuit diagram the Clamp assembly is shown in block form (page 11.8-2). Also, the pcb pin numbers correspond to the pin numbers of the buffer chips: J14 and J15 being the connections to M1 and M3 respectively. For signals crossing the block from bottom to top, the output of each non-

inverting buffer is drawn opposite its input, so the function remains unchanged as it crosses the block. As a further aid to identification, the pins of any one buffer are numbered so that the input and output numbers add up to 20.

#### 10.4.3.1 $\overline{\text{UPD}}(\text{IG})$ Distribution

As the  $\overline{\text{UPD}}(\text{IG})$  signal is distributed as the 'enable' to 16 buffers, it is itself buffered by M16 at M16-3 before being fanned out. So the four  $\overline{\text{UPD}}(\text{IG})$  connections at the left of the block are inputs to four sets of four buffers.

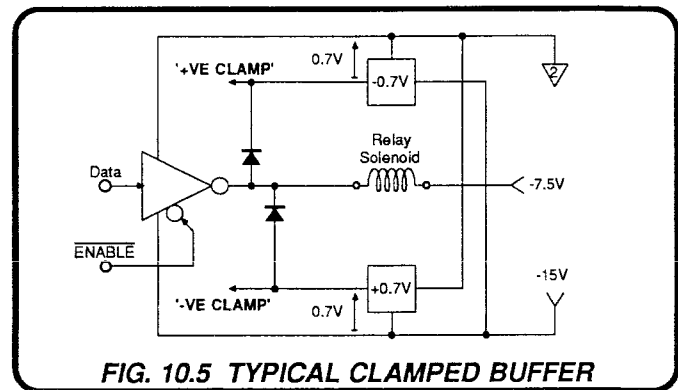
#### 10.4.3.2 Buffer Clamping

(Circuit Diagram 430669 Page 10-9).

The 40244 octal buffer can be sourced from several manufacturers. Some variants are protected against SCR avalanche if the output voltage were to exceed the rail voltage, but some are not. Each buffer drives its output into the solenoid of a relay, and is switched on and off by the update enable. The self inductance of the solenoid can generate back EMFs well in excess of the rail voltage, so to guard against the possibility of catastrophic failure, it was decided to provide external protection in the form of a clamp circuit.

On the Clamp assembly Q1, Q2, Q3 and Q4 form two power supplies, each delivering a regulated voltage of a diode-drop less than the rail voltage, called '+VE CLAMP' and '-VE CLAMP'.

A diode connected from the buffer output to each of the clamp lines allows the output voltage to rise to the rail voltage but not to exceed it (see Fig. 10.5).



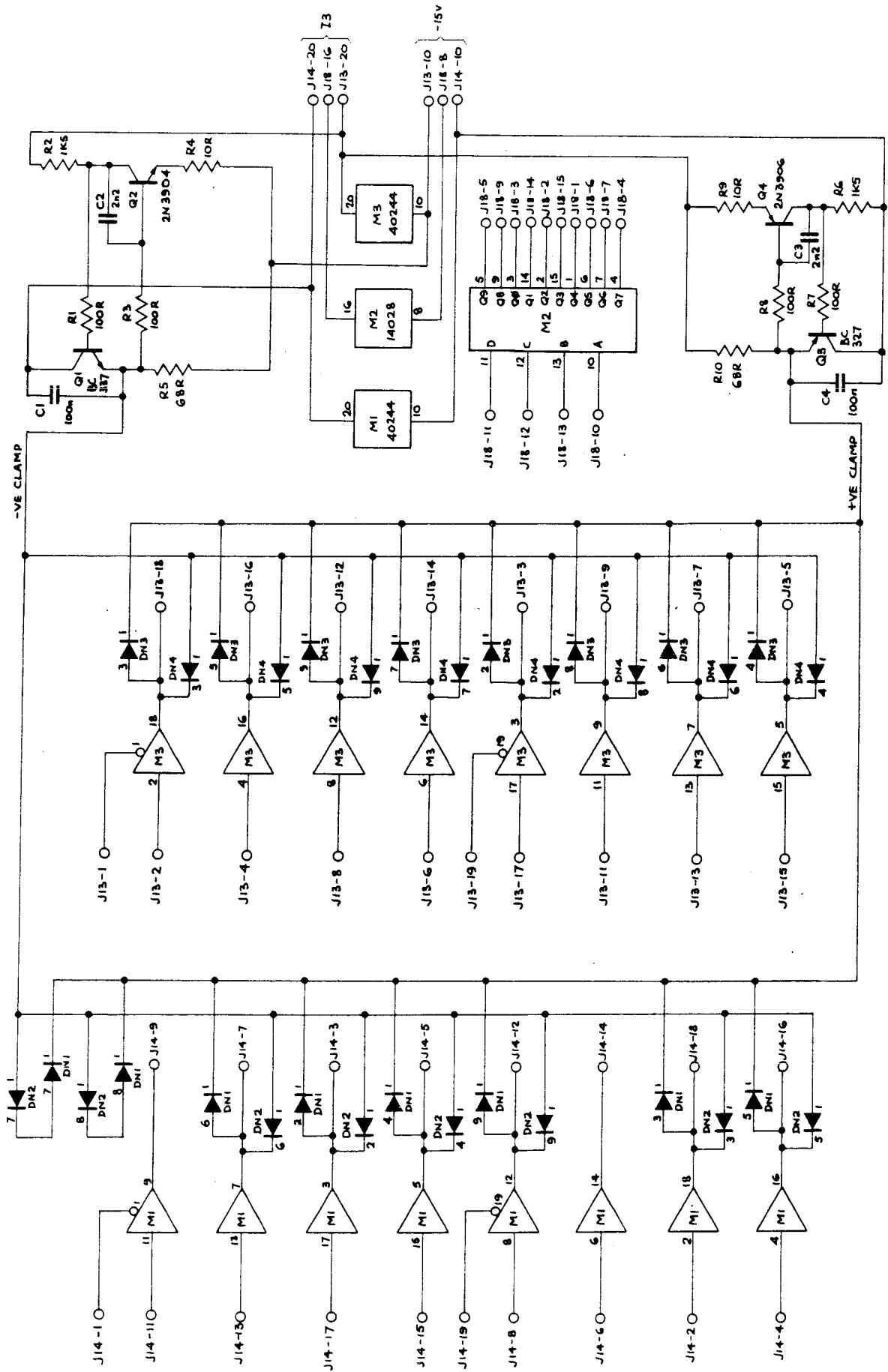
#### 10.4.3.3 BCD - Decimal Decoder M2

The function of M2 is to decode the octal Ohms Ranging signal  $R\Omega_{2-0}$  with the  $\Omega$  ZERO signal, providing switching information for individual relays. To provide flexibility for other applications, the inputs and decoded outputs for M2 are taken out to pins of J18, the outputs being linked back to selected pins of J13 and J14. These connections are shown on page 11.8-2.

Refer to sub-section 10.4.6 and Table 10.3 for a discussion of the M2 decode and resultant relay operation.



DN1 AND DN3 ARE CC-IN4148  
 DN2 AND DN4 ARE CA-IN4148



CURRENT / OHMS CLAMP CIRCUIT Drawing 430669

## 10.4.4 V, I AND Ω FUNCTION SWITCHING

### 10.4.4.1 Function Relays

The Function relays are located at top right of the circuit diagram on page 11.8-2.

RL8 and RL9, when energized, select the Current function.

RL24 and RL25 select the Ohms function.

RL23 connects the Voltage outputs to the instrument terminals.

For the analog connections refer to sub-section 10.3.

### 10.4.4.2 Voltage Output

Selection of the DC or AC Voltage function at the front panel also deselected Current and Ohms functions in software. The  $\overline{I FNCT}$  and  $\overline{\Omega FNCT}$  signals are set to logic-1, and decoded by M17-8, M16-10 and M16-11 to set the V OUTPUT signal to logic-1. This activates relay RL23, connecting the voltage output lines to the front panel terminals.

The  $\overline{IR_{2-\emptyset}}$  code is '1,1,1', setting only M6 'Q7' (pin 4) output to logic-1. Thus the Current range relays RLs 2, 3 and 4 are all un-energized. Relays RL8 and RL9 are un-energized, disconnecting the current output and shorting it to the current common-I1. RL1 is latched in the  $\overline{IA}$  position, selecting R79 in preference to R80; and RL5 connects the 10mA/100mA filter.

Since  $\overline{I FNCT}$  is at logic-1, the DCI and ACI signals are at logic-0; relays RL7 and RL26 are un-energized, disconnecting the DC and AC references from the current circuitry.

(Refer to Circuit Diagram 430844 Pages 11.7-1 and 11.7-5)

In the AC assembly, the logic-1  $\overline{I FNCT}$  signal (J7-86) de-energizes RL9. This disconnects the ACI REF lines (J7-69 to J7-72) from the ACV lines. Thus the voltage to current converter (M8 on the Current/Ohms assembly) receives no input voltage, and so no current is generated.  $\overline{AC FNCT}$  connects the ACV lines only for voltage ranges.

### 10.4.4.3 Current and Ohms Function Switching

Their Function selection logic is included later in the descriptions at sub-sections 10.4.5 and 10.4.6.

Function	Signals						Relays Activated						
	OFF	BARK	$\overline{I FNCT}$	$\overline{\Omega FNCT}$	DCI	$\overline{AC FNCT}$	Current/Ohms Assembly			AC Assembly			
							RL8	RL24	RL23	RL7	RL26	RL9	RL10
							RL9	RL25	(Latching Relays - * = Pin 1 at Logic-1)			RL2	RL2
DCI	0	0	0	1	1	1	*			*			
ACI	0	0	0	1	0	1	*			*		*	
DCV	0	0	1	1	0	1			*				
ACV	0	0	1	1	0	0			*			*	
Ω	0	0	1	0	0	1		*					

TABLE 10.1 CURRENT/OHMS ASSEMBLY - FUNCTION LOGIC

## 10.4.5 CURRENT SWITCHING LOGIC

(Circuit Diagram 430614 Page 11.8-2)

### 10.4.5.1 'I OUTPUT' Relays RL8 and RL9

Whenever a switching command has been received, the CPU performs a control-data transfer and the  $\overline{UPD(IG)}$  line from J8-60 is pulsed to logic-0 for 50ms. Q1 and Q7 remain cut off until the pulse arrives. The pulse turns Q1 and Q7 on, applying +15V to the relays connected to Q1 collector.

Any selected relays are thus energized by 30V, but after the  $\overline{UPD(IG)}$  pulse has ended they are held on by the 13.3V between -0.7V at the

cathode of D2 and -14V at the selected driver (M20) output. This method reduces the local heat, generated by energized relay solenoids, in the relay contacts.

The  $\overline{I FNCT}$  and OFF signals are decoded so that RL8 and RL9 are energized only when the Current function has been selected and Output is ON.

(i.e. RL8/9 are energized if M16-4 [ $\overline{OFF \cdot I FNCT}$ ] = logic-1).

### 10.4.5.2 'DCI' and 'ACI' Relays RL26 and RL7

The  $\overline{I\text{FNCT}}$ , BARK and DC I signals are decoded so that RL7 and RL26 can be energized only when the Current function has been selected and the Watchdog has not 'BARK'ed.

Under these conditions; if DC Current is chosen, then the DC I signal is at logic-1, so M9-10 is also at logic-1 and RL7 closes its contacts to apply the DC Reference 'REF' to its voltage-to-current converter. If AC Current is chosen; DC I is at logic-0, so M9-9 goes to logic1 and RL26 closes its contact. This connects the output from its voltage-to-current converter M8 to the input of its current amplifier.

### 10.4.5.3 Current Range Relays RL1, 2, 3, 4 and 5

M12 is a Darlington open-collector inverting driver array. The relay drive logic places a logic-1 (0V) on the input of the selected drivers and logic-0 (-15V) on those not required. A selected driver operates its relay by pulling its output to -14V.

The octal Current Ranging signal  $IR_{2,0}$  is decoded by M6 to provide four individual outputs for Range relays:

Range	M6 Output	Relay	Reference Source	
			DC	AC
1A	Q2	RL1	-2V to +2V	1V Range
100mA	Q3	RL3	-20V to +20V	10V Range
10mA	Q4	RL2	-20V to +20V	10V Range
1mA	Q5	RL4	-20V to +20V	10V Range
100µA	Q5	RL4	-2V to +2V	1V Range

The Q3 and Q4 decoded outputs for the 100mA and 10mA ranges are ORed at M17-6 to operate RL5, which introduces HF filter capacitor C49 on both these ranges.

RL1 is a bistable latching relay with a single operating solenoid. A logic-1 at pin 1 switches the 1A range on, and a logic-0 switches it off. Normally pin 1 is floating on open collector, so the relay remains latched in one bistable state with its solenoid un-energized. During the 50ms  $\overline{UPD(IG)}$  pulse, non-inverting buffer M1 on the Clamp assembly is enabled, allowing the M6 Q2 state to change RL1 over (if programmed), before the  $\overline{UPD(IG)}$  pulse ends.

### 10.4.5.4 Current Zero-Output

#### DC Current Zero

The DC Current output can be continuously incremented between its negative and positive Full-Scale outputs. Thus zero output can be selected by operator-adjustment of the 'REF' value using the 'OUTPUT' keys, or pressing the 'Zero' key, which ramps REF to zero. The zero value is corrected during Routine Autocalibration.

#### AC Current Zero

For AC zero output, as each range operates only between 9% and 200% of nominal, zero cannot be selected by adjustment of the OUTPUT keys. The AC zero is normally obtained by using the 'Zero' key which, through software, disconnects the lines from the current generator to the I+ and I- terminals.

The 'OFF' signal is set to logic-1, and the  $IR_{2,0}$  code is '0,0,0'. This sets all M6 outputs to logic-0, so the Current Range relays RLs 2,3 and 4, and the filter relay RL5, are all un-energized, and RL1 latches in the  $\overline{IA}$  position (R79 is selected in preference to R80).

Relays RL8 and RL9 are de-energized by the OFF signal, to open-circuit the I+ and I- terminals, and short the current amplifier output to common-II. While setting OFF to logic-1, the CPU also forces the Precision DC Reference to ramp down to zero, so the AC reference voltage also falls to zero, and the current generator has no input. Thus the high current amplifier is not trying to produce an output current, and will not be damaged.

Function	Range	Range Code			M6 Output Pins					Relays Activated							
		$IR_{2,0}$			Q2	Q3	Q4	Q5	Q7	RL1	RL1	RL2	RL3	RL4	RL5	RL8	RL9
		$IR_2$	$IR_1$	$IR_0$	2	15	1	6	4	1+	1-	12-	12+	(Latching)			
V or $\Omega$	N/A	1	1	1					1					*		*	
DCI or ACI	100µA	1	0	1					1					*		*	
	1mA	1	0	1					1					*		*	
	10mA	1	0	0				1			*			*		*	
	100mA	0	1	1			1				*		*	*		*	
1A	0	1	0			1				*					*		
ACI ZERO	Any	0	0	0										*			

TABLE 10.2 CURRENT RANGING LOGIC

**10.4.6 RESISTANCE SWITCHING LOGIC**  
(Circuit Diagram No. 430614 Page 11.8-2).

**10.4.6.1 Output Switching.**

Whenever a switching command has been received, the CPU performs a control-data transfer and the  $\overline{\text{UPD}}(\overline{\text{IG}})$  line from J8-60 is pulsed to logic-0 for 50ms. Q1 and Q7 remain cut off until the pulse arrives. The pulse turns Q1 and Q7 on, applying +15V to the relays connected to Q1 collector.

Any selected relays are thus energized by 30V, but after the  $\overline{\text{UPD}}(\overline{\text{IG}})$  pulse has ended they are held on by the 13.3V between -0.7V at the cathode of D2 and -14V at the selected driver (M20) output. This method reduces the local heat, generated by energized relay solenoids, in the relay contacts.

The  $\overline{\Omega \text{ FNCT}}$ , BARK and OFF signals are decoded so that RL24 and RL25 are energized only when the Ohms function has been selected, Output is ON and the Watchdog has not barked.  
(i.e. If M16-9 [ $\overline{\text{OFF}} \cdot \Omega \text{ FNCT} \cdot \text{BARK}$ ] = logic-1, RL24 and RL25 are energized ).

**10.4.6.2 Range Switching**

Range control data is input as a 3-bit code on  $\Omega R_0$ ,  $\Omega R_1$  and  $\Omega R_2$  lines. The bit-pattern is decoded by M2 in the Clamp assembly to activate the correct relay(s) for the selected range. The resulting variants are listed in *Table 10.3* against range selections.

Relay RL17 is activated to connect the lower Ohms (<1M $\Omega$ ) ranges to the output line only when the Megohm ranges are not activated. This reduces the parallel leakage (*para 10.2.2.1*). NOR gate M19-6 combines the signals which will activate RL17; bearing in mind that the polarized RL17 connections between its driver and the -7.5V rail are the reverse of all the other latching relays. Thus it closes its contacts when M19-6 is at logic-0 (-15V), **not** logic-1 (0V).

The signal states which cause RL17 to close its contacts are:

- $\overline{\Omega \text{ FNCT}}$  - logic-1 (Ohms function not selected);
- or  $\Omega R2$  - logic-0 (10 $\Omega$ , 100 $\Omega$ , 1k $\Omega$ , or 10k $\Omega$  selected);
- or  $\Omega \text{ ZERO}$  - logic-1 (Ohms Zero selected);
- or **J18-1** - logic-1 (Clamp assembly M2 Q4 @ logic-1 - 100k $\Omega$  range selected).

**10.4.6.3 Ohms Zero.**

The  $\overline{\Omega \text{ FUNCT}}$  and  $\Omega \text{ ZERO}$  signals are NORed by M19-10 and inverted by M17-12 so that RL16 is activated either when the Ohms function has been selected and the Zero Key has been pressed, or at times when the Ohms function is not selected.

Range	Range Code ( $\Omega R_{2-0}$ )			M2 'Q' Output (Clamp Assembly)	Relays Activated (All latching relays)	
	$\Omega R_2$	$\Omega R_1$	$\Omega R_0$			
10 $\Omega$	0	0	0	Q0	RL13	)
100 $\Omega$	0	0	1	Q1	RL10	)
1k $\Omega$	0	1	0	Q2	RL14	)
10k $\Omega$	0	1	1	Q3	RL12	)
100k $\Omega$	1	0	0	Q4	RL11	)
1M $\Omega$	1	0	1	Q5	RL20	)
10M $\Omega$	1	1	0	Q6	RL19	)
100M $\Omega$	1	1	1	Q7	RL18	)
$\Omega \text{ Zero}$	(All Range relays deselected)				RL16	Relay selects when pin 1 = Logic-1 (0V)
<b>Ranges &lt;1M<math>\Omega</math></b> (excluding $\Omega \text{ Zero}$ )					RL17	Relay selects when pin 12 = Logic-1 (0V)

**TABLE 10.3 OHMS RANGING LOGIC**

## 10.4.7 DEFAULT AND STATUS LOGIC

### 10.4.7.1 'OFF'

The OFF signal is combined with the  $\overline{I\text{FNCT}}$  and  $\overline{\Omega\text{FNCT}}$  signals to ensure that when the instrument OUTPUT OFF key is pressed, the selected function's circuitry is disconnected from the terminals. For Current outputs, RL8 and RL9 disconnect the terminals from the current output; and for Resistance, RL24 and RL25 disconnect the standard resistor.

### 10.4.7.2 'BARK'

The BARK signal is combined with the  $\overline{\Omega\text{FNCT}}$  and DC I signals to ensure that when the Watchdog barks, the selected function is disabled. For DC Current outputs, RL7 disconnects the REF signal from the High-current V-to-I converter; for AC Current outputs, RL26 disconnects the drive from the AC reference V-to-I converter to the High current amplifier; and for Resistance, RL24 and RL25 disconnect the standard resistor.

The effects of  $\overline{\text{BARK DELAYED}}$  follow after 47ms.

### 10.4.7.3 $\overline{\text{BARK DELAYED}}$

If the Watchdog is activated, the BARK signal is generated, and 47ms later all outputs from the Control Data latches in the Reference Divider are 'Tristated' by the  $\overline{\text{BARK DELAYED}}$  signal. On the Current/Ohms assembly, this allows the pull-up resistors (AN1) and pull-down resistors (AN3) to become effective. At the same time the BARK DELAYED signal sets a -15V pulse on the  $\overline{\text{UPD (IG)}}$  line for 1.5 seconds (M41 on *page 11.4-5*), to ensure that the latching relays on the DC and Current/Ohms assemblies will respond to the default state.

The full effect of the default is that relays RL5, RL16, RL17 and RL23 are activated, the remainder are not:

The Current and Ohms circuits are disconnected from the terminals, but relay RL23 connects the Power and Sense lines from the DC assembly to the terminals. However, on the DC assembly the same default has disconnected the voltage output from the lines.

The Current ranges are deselected, but relay RL5 holds the HF filter in circuit.

All Ohms standard resistors are deselected as well as disconnected from the terminals; the 4-wire Ohms-Zero short is activated, but is also isolated from the instrument terminals by RL24 and RL25.

As the Watchdog detects certain malfunctions in processor or Analog Control transfer operation, the default is a safe holding state, and subsequent changes will depend on the reaction of the CPU to the event. The Watchdog is described in *sub-section 6.4.6*.

### 10.4.7.4 'I/Ω ST'

The I/Ω ST line at J8-98 is pulled down to -15V (logic-0) for as long as the Current/Ohms assembly is fitted in the instrument. This state is passed back via the Reference Divider (J4-68) and the SSDA serial link to the CPU (Circuit Diagram 430652 *page 11.4-4*). Thus the CPU recognizes that the Current/Ohms assembly is fitted, and can operate the appropriate programs.





# TERMS AND CONDITIONS OF SALE

## 1. GENERAL

The acceptance of a quotation, of any goods supplied, advice given or service rendered includes the acceptance of the following terms and conditions and no variation of or addition to the same shall be binding upon us unless expressly agreed in writing by us. Any order shall be subject to our written acceptance.

## 2. QUOTATION

Unless previously withdrawn our quotation is open to acceptance in writing within the period stated or where no period is stated within thirty (30) days after its date. We reserve the right to correct any errors or omissions in our quotation. Unless otherwise stated all quotations are firm and fixed. The prices quoted are based on manufacture of the quantity and type ordered and are subject to revision when interruptions, engineering changes or changes in quantity are caused or requested by the customer.

## 3. LIABILITY FOR DELAY

Any delivery times quoted are from the date of our written acceptance of any order and on receipt of all information and drawings to enable us to put the work in hand. Where delivery is to take place by instalments each such instalment shall constitute a separate contract. We will use our best endeavours to complete delivery of the goods or services in the period stated but accept no liability in damages or otherwise for failure to do so for any cause whatsoever. In all cases of delay the delivery time shall be extended by reasonable period having regard to the cause of delay.

## 4. PAYMENT

Payment shall be made net cash within thirty (30) days of delivery or in accordance with the payment terms set out in the quotation. Unless specifically stated to the contrary payment shall be in pounds sterling. In the event of any payment to us being overdue we may without prejudice to any other right suspend delivery to you or terminate the contract and/or charge you simple interest on overdue amounts at the rate of 2.5% above the ruling Bank of England Minimum Lending Rate. No payment to us shall in any circumstance be offset against any sum owing by us to you whether in respect of the present transaction or otherwise.

## 5. INSPECTION & TEST

All goods are fully inspected at our works and where practicable subjected to our standard tests before despatch. If tests are required to be witnessed by your representative notice of this must be given at the time of placing the order and notice of readiness will then be given to you seven (7) days in advance of such tests being carried out. In the event of any delay on your part in attending such tests or in carrying out inspection by you after seven (7) days notice of readiness the tests will proceed in your absence and shall be deemed to have been made in your presence and the inspection deemed to have been made by you. In any event you shall be required promptly after witnessing a test or receiving test results of witnessed or unwitnessed tests to notify us in writing of any claimed defects in the goods or of any respect in which it is claimed that the goods do not conform with the contract. Before you become entitled to reject any goods we are to be given reasonable time and opportunity to rectify them. You assume the responsibility that the goods stipulated by you are sufficient and suitable for your purpose and take all steps to ensure that the goods will be safe and without risk to health when properly used. Any additional certification demanded may incur extra cost for which a special quotation will be issued.

## 6. DELIVERY AND PACKING

All shipments are, unless otherwise specifically provided, Ex-works which is the address given on the invoice. An additional charge will be made for carriage and insurance as necessary with the provision that all shipments shall be insured and this insurance expense shall be paid by the purchaser. Where special domestic or export packing is specified a charge will be made to cover the extra expense involved.

## 7. DAMAGE IN TRANSIT

Claims for damage in transit or loss in delivery of the goods will only be considered if the carriers and ourselves receive notice of such damage within seven (7) days of delivery or in the event of loss of goods in transit within fourteen (14) days of consignment.

## 8. TRANSFER OF PROPERTY & RISK

Title and property of the goods shall pass when full payment has been received of all sums due to us whether in respect of the present transaction or not. The risk in the goods shall be deemed to have passed on delivery.

## 9. WARRANTY

We agree to correct, either by repair, or at our election, by replacement, any defects of material or workmanship which develop within the warranty period specified in the sales literature or quotation after delivery to the original purchaser. All items claimed defective must be promptly returned to us carriage paid unless otherwise arranged and will be returned to you free of charge. Unless otherwise agreed no warranty is made concerning components or accessories not manufactured by us. We will be released from all obligations under warranty in the event of repairs or modifications made by persons other than our own authorised service personnel unless such repairs are made with our prior written consent.

## 10. PATENTS

We will indemnify you against any claim of infringement of Letters Patent, Registered Design, Trade Mark or Copyright (published at the date of the contract) by the use or sale of any goods supplied or service rendered by us to you and against all costs and damages which you may incur and for which you may become liable in any action for such infringement. Provided always that this indemnity shall not apply to any infringement which is due to our having followed a design or instruction furnished or given by you or to the use of such goods or service in association or combination with any other article, material or service not supplied by us. This indemnity is conditional on your giving to us the earliest possible notice in writing of any claim being made or action threatened or brought against you and on your permitting us at our own expense to conduct litigation that may ensue and all negotiations for a settlement of the claim or action. You on your part warrant that any design or instruction furnished or given by you shall not cause us to infringe any Letter Patent, Registered Design, Trade Mark or Copyright in the execution of your order.

## 11. DOCUMENTATION

All drawings, plans, designs, software specifications, manuals and technical documents and information supplied by us for your use or information shall remain at all times our exclusive property and must not be copied, reproduced, transmitted or communicated to a third party without our prior written consent.

## 12. FRUSTRATION

If any contract or any part of it shall become impossible of performance or otherwise frustrated we shall be entitled to a fair and reasonable proportion of the price in respect of the work done up to the date thereof. For this purpose any monies previously paid by you shall be retained against the sum due to us under this provision. We may dispose of the goods as we think fit due allowance being made to you for the net proceeds thereof.

## 13. BANKRUPTCY

If the purchaser shall become bankrupt or insolvent, or being a Limited Company commence to be wound up or suffer a Receiver to be appointed, we shall be at liberty to treat the contract as terminated and be relieved of further obligations. This shall be without prejudice to our right to claim for damages for breach of contract.

## 14. LEGAL INTERPRETATION

Any contract will be deemed to be made in England and shall be governed and construed for all purposes and in all respects in accordance with English Law and only the Courts of England shall have jurisdiction.





## Datron Sales and Service Representatives Worldwide

COUNTRY and REPRESENTATIVE	Telephone	Telex	Fax
<b>AUSTRALIA</b>			
Scientific Devices Pty. Ltd 2 Jacks Road, South Oakleigh, Victoria 3167	3 579 3622	AA32742	3 579 0971
<b>AUSTRIA</b>			
Walter Rekirsch Elektronisch Geraete GmbH & Co. Obachgasse 28, A-1220 Wien	222 253626	134759	222 2572 75
<b>BELGIUM</b>			
Air-Parts International B. V. Avenue Huart-Hamoir, 1-Box 34, 1030 Bruxelles	2 241 6460	25146 AP1 B	2 241 8130
<b>BRAZIL</b>			
Comercial Goncalves Rua Deocleciana, 77, Cep 01106 Ponte Pequena, Sao Paulo SP	11 2294044	22104 34272	-----
<b>CHINA</b>			
Tianjin Zhong Huan Scientific Instruments Corp. No. 59 Zhao Jia Chang Street, Hong Qiao Section, Tianjin	Tianjin 753732	-----	-----
<b>DENMARK</b>			
Instrutek A/S, Christiansholmsgade 8700 Horsens	5 611100	61656	5 615 658
<b>EASTERN EUROPE</b>			
Amtest Associates Ltd Amtest House, 75-79 Guildford Street, Chertsey, Surrey KT16 9AS, England	0932 568355	928855	0932 561919
<b>EGYPT &amp; MIDDLE EAST</b>			
EPIC 20-22 Ashmoun St, PO Box 2682, Horriya, Heliopolis	2 661767 2 669861	23033 CHAKA UN 23315 EPIC UN	2 662839 2 668924
<b>FINLAND</b>			
Profelec OY PO Box 67, 00421 Helsinki 42	0 566 4477	125225 PROFE SF	0 566 2998

<b>COUNTRY and REPRESENTATIVE</b>	<b>Telephone</b>	<b>Telex</b>	<b>Fax</b>
<b>FRANCE</b>			
<b>M. B. Electronique</b> 606 Rue Fourny, Zi de Buc, 78530 Buc	1 39 568131	695414	1 39 565344
<b>WEST GERMANY</b>			
<b>WAVETEK Electronics GmbH</b> Freisinger Straße 34, 8045 Ismaning	0 89 96 09 49-0	5 212 996 WVTK D	0 89 96 71 70
<b>GREECE</b>			
<b>American Technical Enterprises SA</b> PO Box 3156 39, Agiou Konstantinou Street, Athens 10210.	5240620 5240740	216046 ATE GR	5249995
<b>HONG KONG</b>			
<b>Eurotherm (Far East) Ltd</b> 18/F., Gee Chang Hong Centre, 65 Wong Chuk Hang Road, Hong Kong	5 8140311 (Sales) 5 546391 (Service)	72449 EFELD HX 72449 EFELD HX	5 8735974 5 8700497
<b>INDIA</b>			
<b>Technical Trade Links</b> 42, Navketan Estate, Mahakali Caves Road, Andheri (East), Post Box No. 9447, Bombay 400 093	22 6322412	1179261 TTL IN	9122 634 2204
<b>IRELAND</b>			
<b>Euro Electronic Systems</b> Unit 3, Greenmount House, Greenmount Office Park, Harolds Cross, Dublin BW.	0001 535955	-----	0001 534229
<b>ISRAEL</b>			
<b>DAN-EL Technologies</b> Office 60, Pinkas St. Tel-Aviv 62151.	3 453157	342105	3 459281
<b>ITALY(1)</b>			
<b>Sistrel SPA</b> Via Pellizza da Volpedo 59 20092 Cinisello Balsamo, Milano	02 618 1893	334643	02 618 2440
<b>ITALY(2)</b>			
<b>Sistrel SPA</b> Viale Erminio Spalla 41 00142 Roma	06 504 0273	625857	06 504 0067
<b>ITALY(3)</b>			
<b>Sistrel SPA</b> Via Cintia Parco S. Paolo 35 80126 Napoli	081 767 9700	-----	081 766 1361
<b>JAPAN</b>			
<b>G &amp; G Japan Inc</b> No. 406, 12-14, 4-Chome, Hongoh, Bunkyo-ku, Tokyo	3 8130971	2722884 ICHAIN J	3 8159216

<b>COUNTRY and REPRESENTATIVE</b>	<b>Telephone</b>	<b>Telex</b>	<b>Fax</b>
<b>KOREA</b>			
Sama Trading Corporation CPO Box 2447, Seoul	2 733 9336	K26375 SAMATR	2 733 8481
<b>MALAYSIA</b>			
TME Systems Pte Ltd 21 Moonstone Lane, No. 06-01, Poh Leng Building, Singapore 1232	286 4608	786 37545	288 5935
<b>MOROCCO</b>			
Minhol SA 64 Rue El Mortada, Casablanca 02.	254945	24064	254969
<b>NETHERLANDS</b>			
Air Parts International BV PO Box 255, 12 Kalkoverweg, 2400 AG Alphen aan den Rijn	1720 43221	39564	1720 20651
<b>NEW ZEALAND</b>			
G. T. S. Engineering Ltd 5 Porters Avenue, Eden Terrace, PO Box 9613 Newmarket AUCKLAND	9 392 464	-----	9 392 968
<b>NORWAY</b>			
Morgenstjerne & Co. Olaf Helsets vei 1, P.O. box 15 - Bogerud N-0621 Oslo 6	2 289490	71719 MOROF N	2 289494
<b>PORTUGAL</b>			
Decada SA Rua Margarida, Palla. 11, 1495 Alges.	1 4103420	24476 ESPEC P	1 4101844
<b>SAUDI ARABIA</b>			
Electronic Equipment Marketing PO Box 3750, Riyadh 11481,	1 4771650	401120	1 4785140
<b>SINGAPORE</b>			
Mecomb Singapore Ltd Sime Darby Centre, 895 Dunearn Road, 04-2 Singapore 2158	469 8833	RS 23178	467 1905
<b>SOUTH AFRICA</b>			
Altech Instruments (Pty) Ltd PO Box 39451, Wynberg 2018	11 887 7455	422033	-----
<b>SPAIN</b>			
ESSA (Equipos y Systemas SA) C/Apolonio Morales 13-B, Madrid 16	1 458 0150	831 42856	-----

COUNTRY and REPRESENTATIVE	Telephone	Telex	Fax
<b>SWEDEN</b>			
<b>Ferner Electronics AB</b> Snormakarvagen 35, Box 125, S-16126 Stockholm-Bromma	8 802540	10312 FERNER S	8 250226
<b>SWITZERLAND</b>			
<b>Kontron Electronic AG</b> Bernerstrasse-Süd 169, 8048 Zurich	1 435 4111	822196 + KOEL CH	1 432 2464
<b>TAIWAN</b>			
<b>Evergo Corporation</b> Room A, 9th Floor, 305 Section, 3 Nan King East Road, P. O. Box 96-546, Taipei	2 7150283/4/5	27027 EVERGOEC	2 7122466
<b>UNITED KINGDOM</b>			
<b>Datron Instruments Ltd</b> Hurricane Way, Norwich Airport, Norwich, Norfolk NR6 6JB, England	0603 404824	975173	0603 483670
<b>UNITED STATES of AMERICA</b>			
<b>Datron Instruments Inc</b> c/o Wavetek RF Products Inc. 5808 Churchman Bypass, Indianapolis, Indiana 46203	(317) [REDACTED]	TWX (810) 341 3226	(317) 788 5999
<b>Wavetek Northeast Area Sales</b> 1 Executive Blvd. Suite 206, Suffern New York 10901	(914) 357 5544	----	(914) 357 5609
<b>Wavetek Western Area Sales</b> 9045 Balboa Avenue, San Diego, California 92123	(619) 565 9234	TWX (910) 335 2007	(619) 565 9558

**For customers in countries not listed please contact DATRON INSTRUMENTS in the United Kingdom:**

<b>Datron Instruments Ltd</b> Hurricane Way, Norwich Airport, Norwich, Norfolk NR6 6JB, England	0603 404824	975173	0603 483670
---	-------------	--------	-------------

**Model 4708 -  
Calibration and Servicing Handbook Vol. 1  
Part No: 850246 Issue: 1**

**Instrument Serial Number**

24829-6

These advice sheets apply only to the instrument whose serial number is given above.

**Introduction**

**Pre-Calibration - Improved Procedure**

In Section 1, Sub-section 1.6.2; page 1-35 deals with the pre-calibration of the Full Range : 10% Full Range ratio. This addendum introduces and improved procedure for this pre-calibration, by providing a revised page 1-35.

The Volume 1 of the Calibration and Servicing Handbook for Model 4708 contains technical circuit descriptions.

**AC 1V Buffer - Increased Output Current Capability**

Section 9 describes the Amplitude Control System, and Sub-section 9.3 deals with the AC 1V Buffer. Paras 9.3.1.2 and 9.3.1.3 on page 9-16 refer to current levels in the AC 1V Buffer stage, and to the threshold levels of the output current detector circuit.

This addendum corrects these current levels for an upgraded output capability of 50mA from the 1V Buffer, with consequent changes to the overcurrent threshold levels.

The effects of this upgrade are to generate the Error OL fault condition at a higher output current threshold on the 1V AC range than hitherto.

In Section 2, (Page 2-8) the diagnostic guide for Error OL is amended by this addendum.

**AC 1000V Range - Improvement to HF Transformer Performance**

In Section 9, Sub-section 9.7 deals with the AC 1000V Range. Paras 9.7.5.2 on page 9-16 refer to selection of the appropriate step-up HF transformer.

This addendum adds a new paragraph 9.7.5.4, dealing with the introduction of a high wattage damping resistor to counter possible resonances in the 750V secondary of the HF Transformer.

This upgrade affects the dismantling and reassembly of the LF and HF Transformer Assemblies.

In Section 3, (Pages 3-10 and 3-11) the dismantling and reassembly procedures are amended by this addendum.

**Options**

The 4708 offers optional functions to suit user requirements.

Contract No. F33659-90-C0065 specifies AC voltage (Option 20) and AC Current (Option 30) functions only.

This handbook provides information on the whole range of options provided for the instrument. Users are therefore requested to ignore information related to options which were not purchased.

**Specifically:**

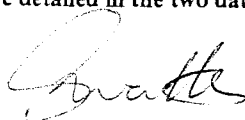
Because Option 10 was not ordered, the DC Assembly (part no. 400536, subsection 11.5) is not fitted in this instrument. Instead, the Output Control Assembly (400909; 11.5), resides in the same PCB slot.

Option 30 can cover three functions: DC Current, AC Current and Resistance; depending on other options fitted.

If Resistance is ordered, the 'Current/Ohms' PCB Assembly (part no. 400614; 11.8) is used. Because Resistance was not ordered, the Current Option PCB Assembly (401008; 11.8) is fitted in this instrument. This provides AC Current function, in conjunction with Option 20. All references to 'Current/Ohms Assembly' and part no. '400614' should be read as 'Current Option Assembly' and part no. '401008'

The above minor changes are detailed in the two data pages attached to this sheet.

Checked by:



Date:

22nd May '92



**Model 4708 -  
Calibration and Servicing Handbook Vol. 1  
Part No: 850246 Issue: 1**

**Instrument Serial Number**

24029-6

**These advice sheets apply only to the instrument whose serial number is given above.**

**Introduction**

**AC Outputs - Improvement to Frequency Control System**

In **Section 8**, Sub-section 8.1 deals with the Digital Frequency Synthesizer. Paras 8.1.2 on pages 8-1 to 8-3 describe the operation of the Voltage Controlled Oscillator.

This addendum changes paras 8.1.2, dealing with the introduction of an integrated VCO chip to replace the discrete VCO previously used, and modifications to the associated circuitry.

This upgrade improves the reliability and maintainability of the Digital Frequency Synthesizer by reducing the critical component count and easing fault diagnosis.

Contract No. F33659-90-C0065 specifies AC voltage (Option 20) and AC Current (Option 30) functions only. Therefore this addendum is pertinent to the contract

**The above minor changes are detailed below.**

**Amendments to Section 8**

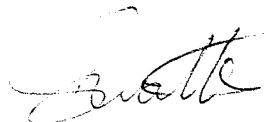
**Pages 8-1, 8-2 and 8-3:**

Delete the existing pages and substitute the new pages 8-1, 8-2 and 8-3 attached.

**Amendments to the Contents and Illustrations List**

No changes are required.

Checked by:



Date:

22nd May 92





## SECTION 8 AC VOLTAGE OUTPUTS - FREQUENCY CONTROL SYSTEM

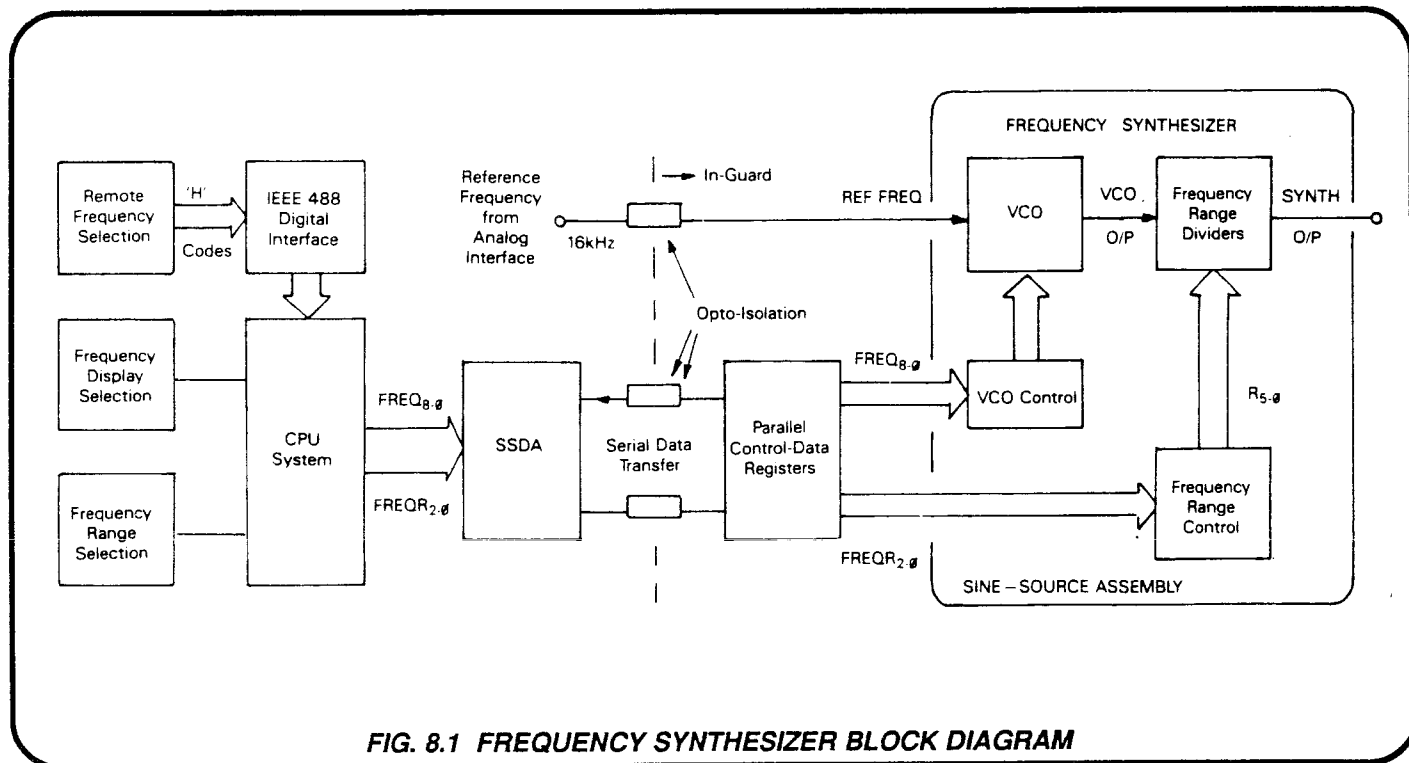


FIG. 8.1 FREQUENCY SYNTHESIZER BLOCK DIAGRAM

### 8.1 DIGITAL FREQUENCY SYNTHESIZER

(Fig. 8.1)

#### 8.1.1 GENERAL

Users normally set the operating frequency by a combination of 'FREQUENCY RANGE' and 'FREQUENCY' display selections. These are memorized by the CPU and translated into two binary control words:

##### 'FREQ R<sub>2-θ</sub>'

A three-bit word, five of whose codes represent the five frequency ranges.

##### 'FREQ<sub>8-θ</sub>'

A nine-bit word whose value 'n' defines the chosen frequency with respect to the selected frequency range.

Users can select a frequency by means other than pressing a FREQUENCY RANGE key and setting a frequency on the display; for example by using 'Store' or the IEEE 488 digital interface. But regardless of the selection method, the CPU will always compute the two binary words, which then synthesize the selected frequency in the Sine-Source Assembly.

Both words are passed into guard via the SSDA, and latched at the outputs of the Reference Divider Parallel Control registers. A 16kHz reference frequency is also taken into guard, to be divided by two to 8kHz in the Sine-Source assembly.

After entering the Sine-Source assembly, FREQ<sub>8-θ</sub> effectively multiplies the 8kHz reference by a factor 'n' to determine the frequency of a Voltage Controlled Oscillator (VCO). The VCO frequency (signal 'VCO O/P') is input into a series of frequency dividers, whose ratios are set by FREQ R<sub>2-θ</sub>. The division ratios are chosen so as to make the dividers generate the Frequency Synthesizer output signal ('SYNTH O/P') at the user-selected frequency.

The purpose of the synthesizer is to provide an accurate frequency reference for the quadrature sinewave oscillator. The oscillator is approximately tuned by selection of circuit constants using the combination of 'FREQ R<sub>2-θ</sub>' and 'FREQ<sub>8-θ</sub>'.

'SYNTH O/P' acts as the reference in the phase comparator of a Phase-Locked Loop, controlling the frequency of the main Quadrature Sinewave Oscillator to an accuracy determined by the crystal oscillator.

## 8.1.2 VOLTAGE CONTROLLED OSCILLATOR

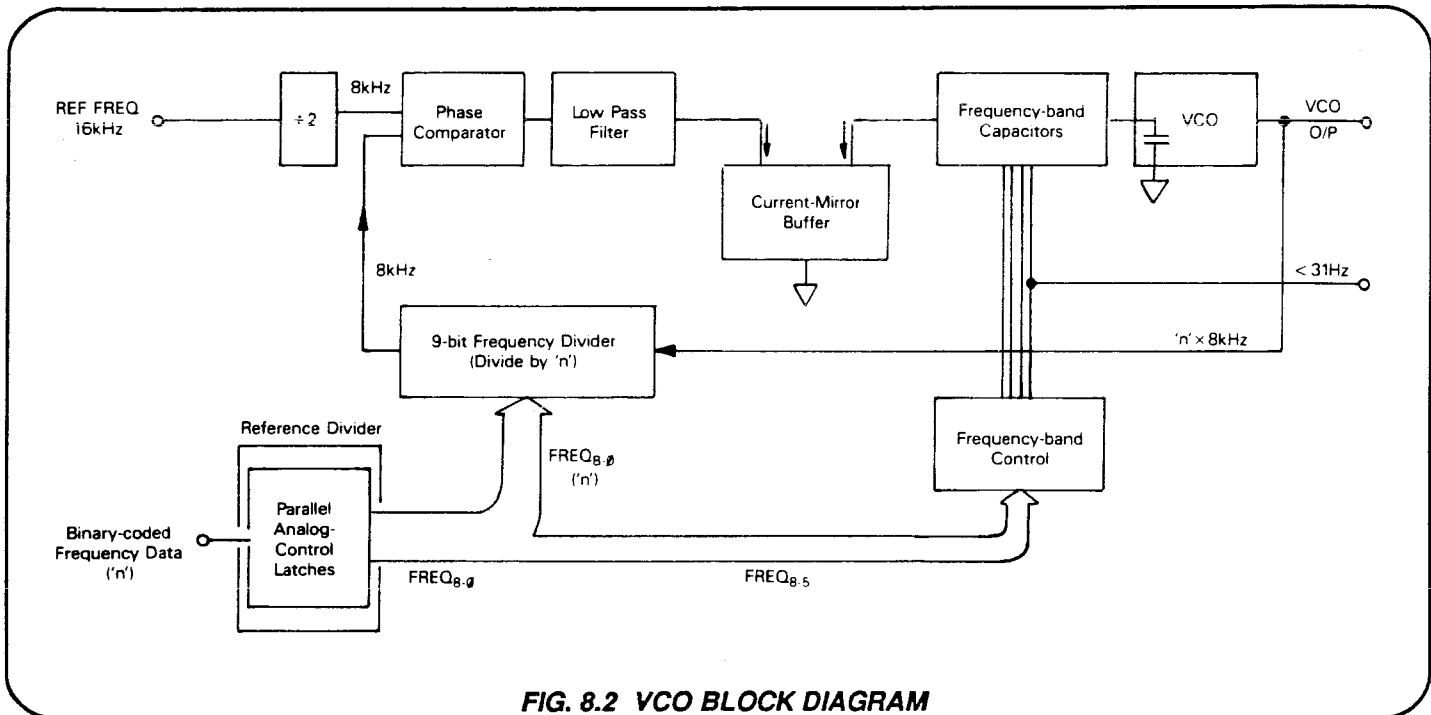


FIG. 8.2 VCO BLOCK DIAGRAM

### 8.1.2.1 Generation of 16kHz Reference

(Circuit Diagrams 430648 page 11.3-2, 430652 page 11.4-5 and 430446 page 11.6-4)

The 16kHz (INT) signal originates at M16-14 in the Analog Interface (page 11.3-2) and is buffered as '16kHz(OG)' (page 11.3-1). On the Reference Divider at J4-104, it passes into guard via opto-isolator M3 (page 11.4-5), gating with 'DISABLE REF FREQUENCY' and 'BARK' in M24, filtered by R86/C38 to reduce harmonics from the transmission path, and is sent via the Mother Assembly to J6-53 on the Sine-Source Assembly (page 11.6-4).

Schmitt-trigger M14 inverts the 16kHz into a symmetrical squarewave, which is then applied as clock to M13a, a bistable connected to divide by two. The resulting 8kHz squarewave is taken as the reference frequency for phase comparator M12. Note that in this configuration the SIG input of M12 is used for the reference, and the divided VCO output signal is applied to the REF input. This is necessary to provide the correct sense in the phase control element M50, because of the inversion of integrator M11.

### 8.1.2.2 Squarewave Generation by the VCO

The VCO is a discrete-component ECL relaxation oscillator generating an output of frequency ' $n \times 8\text{kHz}$ '. Its natural frequency is dependent on:

- the value of capacitor C2 (or C2 plus one of C3 - C6),
- the value of its continuous discharge current through the phase control element (current mirror M50), and
- the value of its charging current through Q2 on alternate half cycles (4.7mA).

Consider C2 fully discharged. Q4 is off, so all the 4.7mA from Q6 passes through Q5. The collector voltage of Q4 is close to the positive rail, buffered by Q7 and R9 to hold Q5 on. Also, as Q3 is turned off by Q4 collector voltage, Q2 is turned on by its emitter, passing 4.7mA into C2 and the current mirror M50.

Capacitor C2 charges until Q4 turns on. Cumulative Schmitt action passes the fall at Q4 collector to the base of Q5, ensuring a rapid transition between states; so the 4.7mA is transferred from Q5 to Q4. Q3 turns on, its emitter falling quickly to cut Q2 off, so the charging path to C2 etc. is interrupted.

M50 continues to discharge C2, whose voltage falls slowly until Q4 starts to cut off again. The cumulative action is repeated to turn Q2 on, recharging C2. The cycle of charge and discharge continues, generating 'VCO O/P' squarewaves at buffer Q12 emitter.

### 8.1.2.3 Coarse Frequency Control

(Circuit Diagram 430446 Page 11.6-4, and Fig. 8.2)

At any time, only one of the capacitors C3, C4, C5 and C6 can be connected in parallel with C2, by conduction of its associated transistor. This splits the frequency range of the VCO into five bands, governed by the four most-significant bits of the frequency control word  $FREQ_{8,\emptyset}$  acting on M8. The association is shown in Table 8.1; note that the VCO frequency bands quoted in the table are correct only because the VCO is under the fine control of comparator M12, within the phase-locked loop.

FREQ <sub>8-5</sub> bits 8 7 6 5	Range of 'n' Values	M8 Outputs at Logic-1	C2-C6 Selection	VCO Frequency Band (kHz)
0 0 0 0	10 to 31	X <sub>0</sub>	C2 and C6	80 to 248
0 0 0 1	32 to 63	X <sub>1</sub>	C2 and C5	256 to 504
0 0 1 X	64 to 127	X <sub>3-2</sub>	C2 and C4	512 to 1016
0 1 X X	128 to 255	X <sub>7-4</sub>	C2 and C3	1024 to 2040
1 X X X	256 to 500	NONE	C2 only	2048 to 4000

**TABLE 8.1 COARSE FREQUENCY CONTROL**

#### 8.1.2.4 Fine Frequency Control

(Circuit Diagram 430446 Page 11.6-4, and Fig. 8.2)

In the following description, capacitors C3, C4, C5 and C6 are ignored, but references to C2 should be read as including the appropriate additional capacitor.

The VCO output is fed back to M12 phase comparator via M9 and M13b, which are connected to act as a 9-bit frequency divider. Because the divider is controlled by FREQ<sub>8-0</sub>, the VCO output frequency is always divided by 'n' before being applied to the REF input of the comparator. The output from the comparator will only be zero if the frequency fed back to M12-6 is 8kHz (ie. the VCO frequency is n x 8kHz), and in phase with the 8kHz REF FREQ at M12-3 (TP14).

The output from M12 is integrated by M11 to drive a DC current into the current mirror M50, which has a gain of two, its output current being drawn from the charge on C2. During the half-cycles of the VCO oscillation when C2 is being charged, the mirror obtains its current from Q2 conduction.

The phase control loop seeks to phase-lock the two inputs to the comparator. If they are in phase, the comparator output is at high impedance ('TRISTATE'). In this condition the integrator capacitors C16 and C18 have no charge or discharge path, so M11's extremely high gain maintains their charge, and thus the voltage at TP6. M11 supplies the input current for M50, the mirror continues to draw the same discharge current from C2, so the frequency of VCO oscillation remains constant. Thus the loop stabilizes only when the frequency divided by 'n' from the VCO output is in phase with (and therefore at the same frequency as) the reference 8kHz.

In stable operation, therefore, the loop maintains VCO oscillations at n x 8kHz, and the feedback dividers reduce this frequency by a factor of 'n' to 8kHz.

Any disturbance in the loop will generate corrections to restore zero phase difference at the inputs of M12. Frequency deviations are therefore detected at an early stage as phase changes, giving a measure of 'phase advance' correction.

#### 8.1.2.5 'INHIBIT' (VCO Off)

The VCO can be switched off by a logic-1 of 0V at the base of Q11 (INHIBIT signal). This originates in the CPU system, setting FREQ R<sub>2-0</sub> code to 111 (a non-existent 'R7' range) when AC functions are deselected. It also resets the +2 flip-flop M13a, so that no reference frequency is passed into the phase comparator.

#### 8.1.2.6 VCO Supply Rail Protection

To prevent VCO oscillations appearing on the 15V power rails, which also supply the integrator M11 and current mirror M50, the positive rail is heavily decoupled, regulated by Q8, and all devices whose currents are likely to disturb the rails are supplied through constant current sources (Q1, Q6, Q9 and Q13).

#### 8.1.2.7 VCO Output

The VCO, M11 and M50 operate from the 15V supplies. M12, M9 and the frequency dividers which follow the VCO, all operate from the in-guard logic supplies of +0V and -15V. The VCO output from Q12 emitter is therefore limited by D1 to logic supply levels. A re-conversion back to 15V levels is accomplished at the input to the integrator M11, as TP31 pulses are negative at M11 input.

D1 is a Schottky hot carrier diode of reverse capacitance approx. 2pF. This avoids distorting the high frequency output squarewaves (for 1MHz output, the VCO oscillates at 4MHz).

The output passes through R12 to avoid loading the VCO, and then fed as 'VCO O/P' to the frequency dividers at M5-9 (page 11.6-5).

### 8.1.3 FREQUENCY RANGE DIVIDERS

(Fig 8.3)

As mentioned earlier in para 8.1.1, the purpose of the synthesizer is to provide an accurate frequency reference for the quadrature sinewave oscillator. The VCO frequency (signal 'VCO O/P') is input to a series of frequency dividers, whose ratios are set by 'FREQ R<sub>2-0</sub>', so as to make the dividers generate the selected frequency as 'SYNTH O/P'. FREQ R<sub>2-0</sub> is a three-bit word, five of whose codes represent the five frequency ranges.

A second purpose is to clock the Quasi-Sinewave Generator in synchronism with the synthesizer output (and hence with the main quadrature sinewave oscillator output). The synthesizer frequency is a multiple of the Quasi-Sine frequency, except on the 100Hz frequency range, where they are both at the same frequency. Thus the divider ratios are also chosen to generate the correct frequencies for the quasi-sinewave clock, for each frequency range selected.

#### 8.1.3.1 Divider Ratios

(Circuit Diagram 430446 Page 11.6-5)

Binary/BCD Divider M5 is set for binary division by fixing M5-2 and M5-10 at Logic-0. Conversely, M1 is set for decimal division by fixing M1-2 and M1-10 at Logic-1.

BCD counter M2 is set to count up, by fixing M2-10 at Logic-1. Its  $\overline{\text{CARRY OUT}}$  signal at M2-7 is at 1/10 of its clock frequency, and its Q1 output on M2-6 is at half its clock frequency. Flip-flop M4a is connected to divide its clocks by two.

Multiplexer M6 selects the appropriate source frequency to clock the Quasi-Sinewave generator. In particular, on the 100Hz Range it selects the  $\overline{\text{CARRY OUT}}$  from M2, which is subsequently divided by 10 in the quasi-sinewave counter, and returned via J6-51 to be used as SYNTH O/P.

**8.1.3.2 Ratio Selection by Frequency Range**  
(Fig. 8.3 and Table 8.2)

The frequency range selection word  $FREQ R_{2-0}$  is decoded by M29 into five range lines  $R_{4-0}$ . These lines perform the following functions:

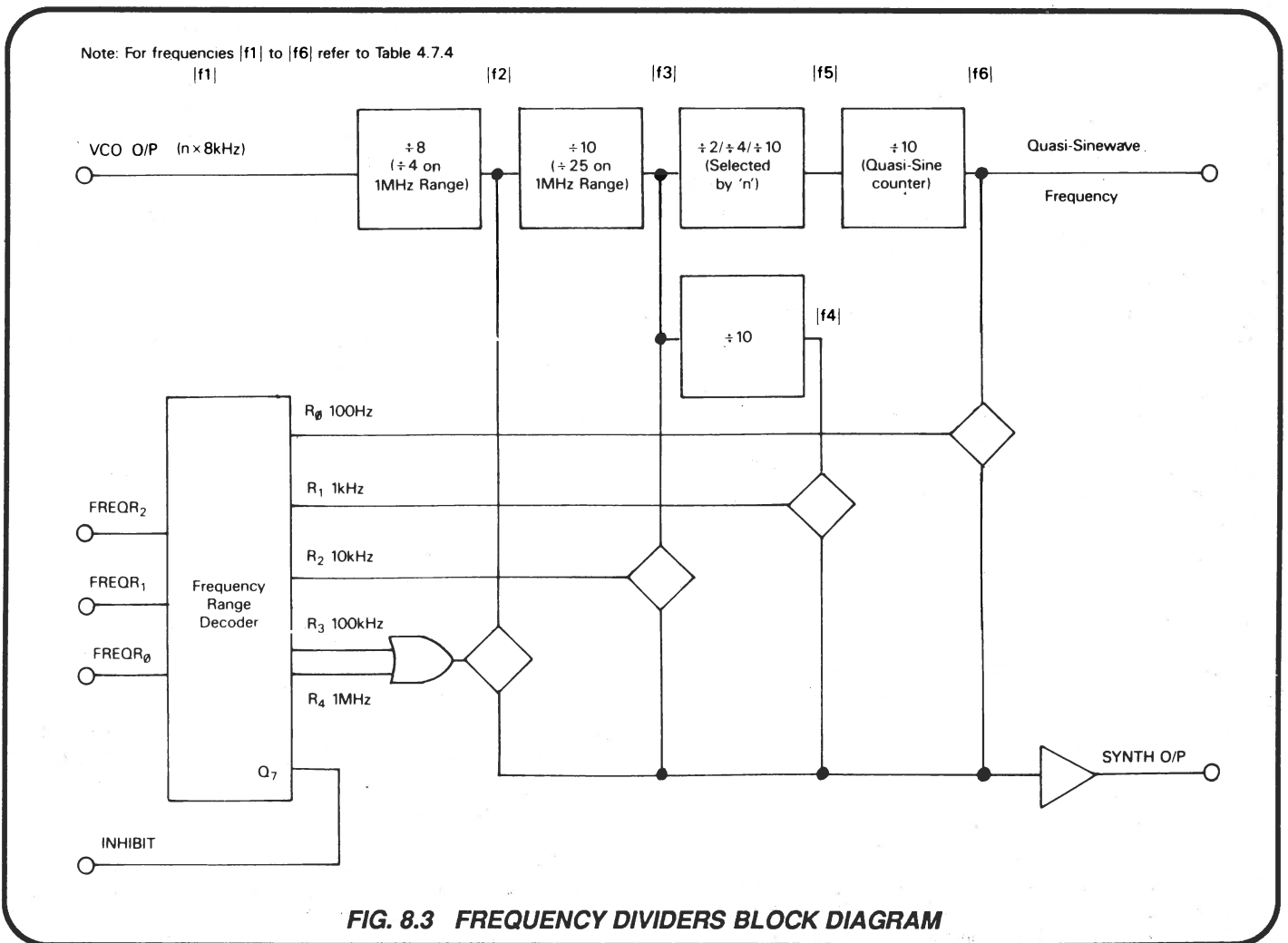
- a. Switch ranges in the quadrature sinewave oscillator by relays RL1-RL8 selection of integrator capacitors (page 11.6-1);
- b. Switch ranges in the Cosine Squarer output filter (page 11.6-2);
- c. Adjust the division ratios of Frequency Range Dividers M5 and M1 (page 11.6-5) for range  $R_4$  (1MHz Range),
- d. Select appropriate outputs from the Frequency Range Dividers (page 11.6-5); and
- e. The INHIBIT line turns off the VCO for non-AC functions.

Functions (a) and (b) are described later in Section 8.2. In this description we are concerned mainly with functions (c) and (d).

Table 8.2 shows how frequency range switching derives the synthesizer output frequencies by selecting the appropriate outputs from the dividers. Note that except for the 1MHz Range  $R_4$ , the ratios of individual dividers are not altered.

On the 100Hz Range  $R_0$  the overall division ratio of 8000 is achieved as for the 1kHz Range, but with a further division by 10 in the quasi-sinewave counter M11 on the AC Assembly.

On the 1MHz Range,  $R_4$ , the division ratio of M5 is changed from 8 to 4. The  $DP_A$  inputs M5-5 and M5-6 are primed to Logic-1 and Logic-0 respectively, whereas on all other ranges the priming is reversed. Range  $R_4$  also alters the division ratio of M1 from 10 to 25, by changing its priming bit-pattern, to correct the quasi-sinewave frequency; but as the synthesizer output is taken through M10-4/3 from M5 output, the adjustment to M1 does not affect the SYNTH O/P frequency.



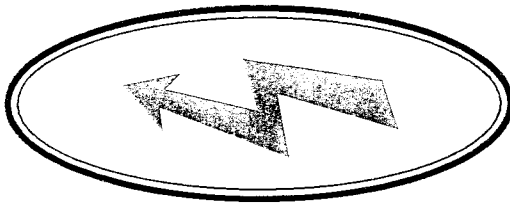
**FIG. 8.3 FREQUENCY DIVIDERS BLOCK DIAGRAM**



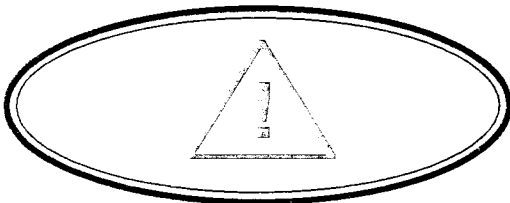
**DANGER**  
**HIGH VOLTAGE**



THIS INSTRUMENT IS CAPABLE  
OF DELIVERING  
A LETHAL ELECTRIC SHOCK !  
**when connected to a high voltage source**



FRONT or REAR terminals  
carry the Full Input Voltage  
**THIS CAN KILL !**



Guard terminal is sensitive to  
over-voltage  
It can damage your  
instrument !

Unless you are sure that it is safe to do so,  
**DO NOT TOUCH**  
the I+ I- Hi or Lo leads and terminals

**DANGER**



# **PART 3**

## **REFERENCE**

**SECTION 11                      Servicing Diagrams**

**SECTION 12                      Component Lists**





# SECTION 11 4708 SERVICING DIAGRAMS

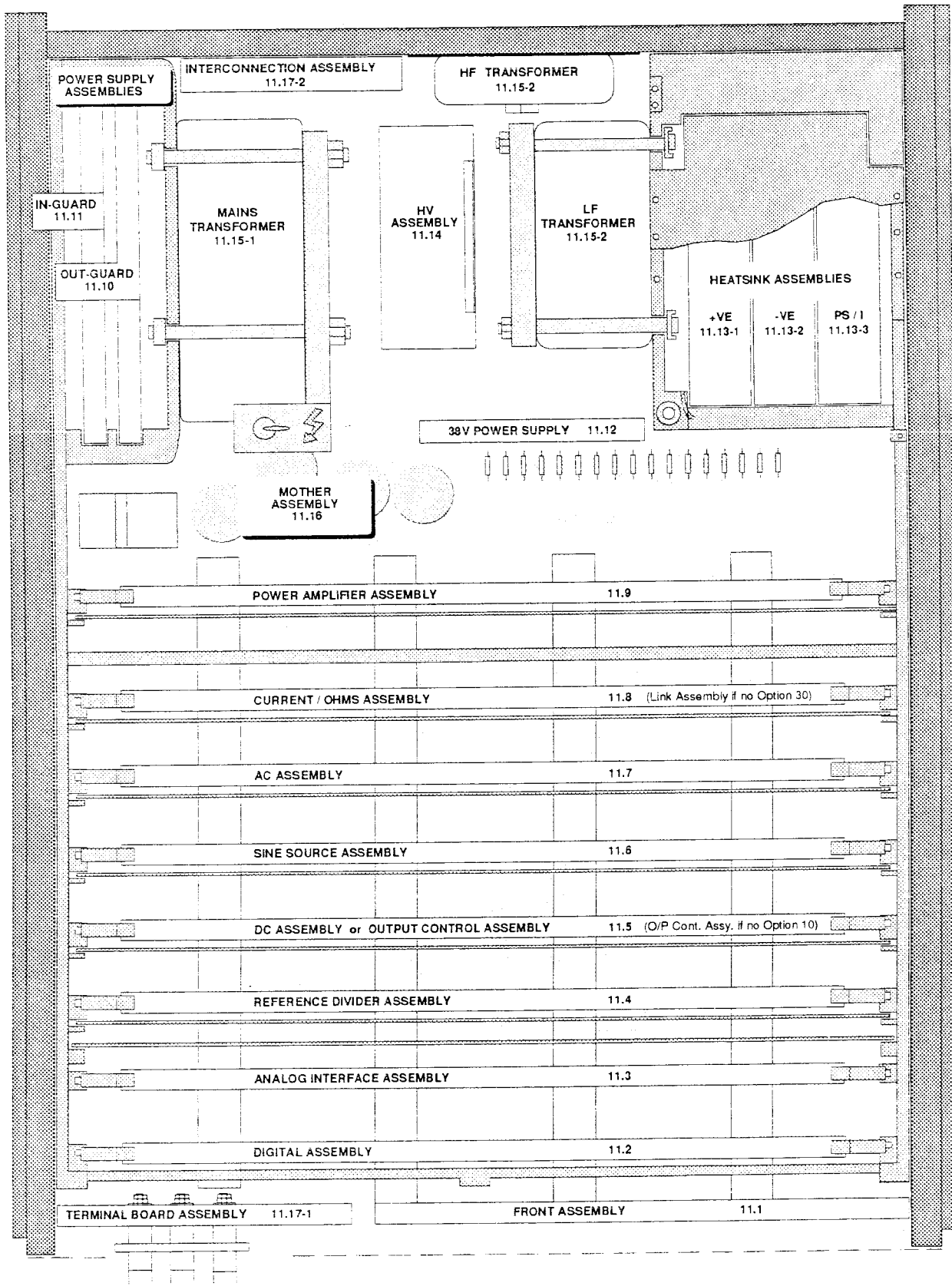


FIG. 11.1 ASSEMBLY LOCATIONS WITH INDEX

# SECTION 11 4708 SERVICING DIAGRAMS

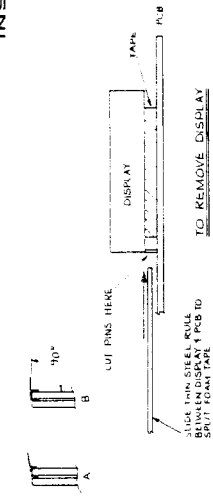
## Contents

<b>Front Assembly</b>	
Keyboard Encoder and LED Driver .....	11.1-1
Display Driver High Voltage .....	11.1-2
<b>Digital Assembly</b>	
Display Multiplexing Logic .....	11.2-1
Microprocessor .....	11.2-2
Memory and Battery Backup .....	11.2-3
IEEE 488 Interface .....	11.2-4
I-C Power Supplies .....	11.2-5
<b>Analog Interface Assembly</b>	
Lower Reference Divider Counter .....	11.3-1
Upper Reference Divider Counter .....	11.3-2
Master Clocks and Analog Control Serial Link .....	11.3-3
Frequency Lock, Watchdog Driver and I-C Power Supplies .....	11.3-4
<b>Reference Divider Assembly</b>	
Most-Significant Switch and Filter .....	11.4-1
Least-Significant Switch and Filter .....	11.4-2
Summing Amplifier .....	11.4-3
Serial/Parallel Data Converter .....	11.4-4
Out/In Guard Interface and Watchdog .....	11.4-5
Power Supplies .....	11.4-6
<b>Calibrator Reference Assembly</b>	
Calibrator Reference Assembly .....	11.4-7
<b>DC Assembly</b>	
100mV, 1V, 10V, 100V and 1kV Outputs .....	11.5-1
Output Switching and Overload Sense .....	11.5-2
Relay Drive Logic .....	11.5-3
Power Supplies .....	11.5-4
DC Clamp .....	11.5-5
<b>Output Control Assembly</b>	
Output Switching and Overload Sense .....	11.5-6
Relay Drive Logic .....	11.5-7
Power Supplies .....	11.5-8
<b>Sine Source Assembly</b>	
Sine Oscillator .....	11.6-1
Oscillator Amplitude-Detector and Reference .....	11.6-2
VCA, 1V Buffer and Current Detector .....	11.6-3
Digital Synthesizer .....	11.6-4
Frequency Range Dividers, Control Logic and Power Supplies .....	11.6-5
<b>AC Assembly</b>	
Switching Overview .....	11.7-1
Sense Amplifier and Reference Inverter .....	11.7-2
Quasi-Sine Generator and Timing Logic .....	11.7-3
AC/DC Transfer Detector and Integrators .....	11.7-4
Relay Drive Logic and Power Supplies .....	11.7-5
Phase Detector & Integrator and Power Supplies .....	11.7-6
<b>Current / Ohms Assembly</b>	
Voltage-to-Current Converter .....	11.8-1
Logic and Relay Drive .....	11.8-2
Standard Resistors and Switching .....	11.8-3
Current / Ohms Clamp .....	11.8-4
<b>Power Amplifier Assembly</b>	
Block Diagram .....	11.9-1
10V and 1kV Amplifiers .....	11.9-2
100V Amplifier .....	11.9-3
Power Supply Monitors .....	11.9-4
Logic and Relay Drives .....	11.9-5
100V Overload Detector and Power Supplies .....	11.9-6

<b>Out-guard Power Supply Assembly</b>	
Main Digital Supply, Display Supply and Common Mode Null .....	11.10-1
<b>In-guard Power Supply Assembly</b>	
Common-2 Supplies and Current Option Supply .....	11.11-1
Reference Common-4 and $\pm 8V$ Common-2 Supplies .....	11.11-2
<b><math>\pm 38V</math> Power Supply Assembly</b>	
$\pm 38V$ Power Supply with Mother Assembly Components .....	11.12-1
<b>Heatsink Assemblies</b>	
Output Power Amplifier (Positive Half) .....	11.13-1
Output Power Amplifier (Negative Half) .....	11.13-2
$\pm 400V(2)B$ Regulator; Current Option Output Stage .....	11.13-3
<b>High Voltage Assembly</b>	
High Voltage Switching and Logic .....	11.14-1
Constant Current Source Assembly .....	11.14-2
<b>Transformer Assemblies</b>	
Mains (Line) Transformer .....	11.15-1
L.F. and H.F. Transformer Assemblies .....	11.15-2
<b>Mother Assembly (Edge Connector Pin Index with each Layout Drawing)</b>	
Sheet 1 .....	11.16-1
Sheet 2 .....	11.16-2
Sheet 3 .....	11.16-3
Sheet 4 .....	11.16-4
Sheet 5 .....	11.16-5
<b>Interconnections</b>	
Circuit Diagrams Sheets 1 and 2 .....	11.17-1
<b>Interconnection Assembly</b>	
Connections with Power Input Module and Mains Transformer .....	11.17-2
<b>Terminal Board Assembly</b>	
Sheet 1 .....	11.17-3
<b>Instrument Assembly</b>	
4708 Sheet 1 .....	11.18-1
<b>Main Assembly Layout Drawings</b>	
Sheet 1 .....	11.18-1
Sheets 2 and 3 .....	11.18-2
<b>Chassis Assembly Layout Drawings</b>	
Sheets 1 and 2 .....	11.18-3
Sheets 3 and 4 .....	11.18-4
Sheets 5 and 6 .....	11.18-5
Sheet 7 .....	11.18-6
<b>Rear Panel Assembly</b>	
Rear Panel Assembly .....	11.18-6
<b>Option Fitting Instructions</b>	
Option 20: Current / Ohms .....	11.19-1
Option 80: 115V 60Hz .....	11.19-1
Option 90: Rack Mounting .....	11.19-1
Option 42: Rear Output .....	11.19-2
Option 10: DC Voltage .....	11.19-3
Option 20: AC Voltage .....	11.19-3
Digital Assembly: Fitted Options Switch Positions .....	11.19-3

**FRONT ASSEMBLY**

**datron**  
INSTRUMENTS  
4708



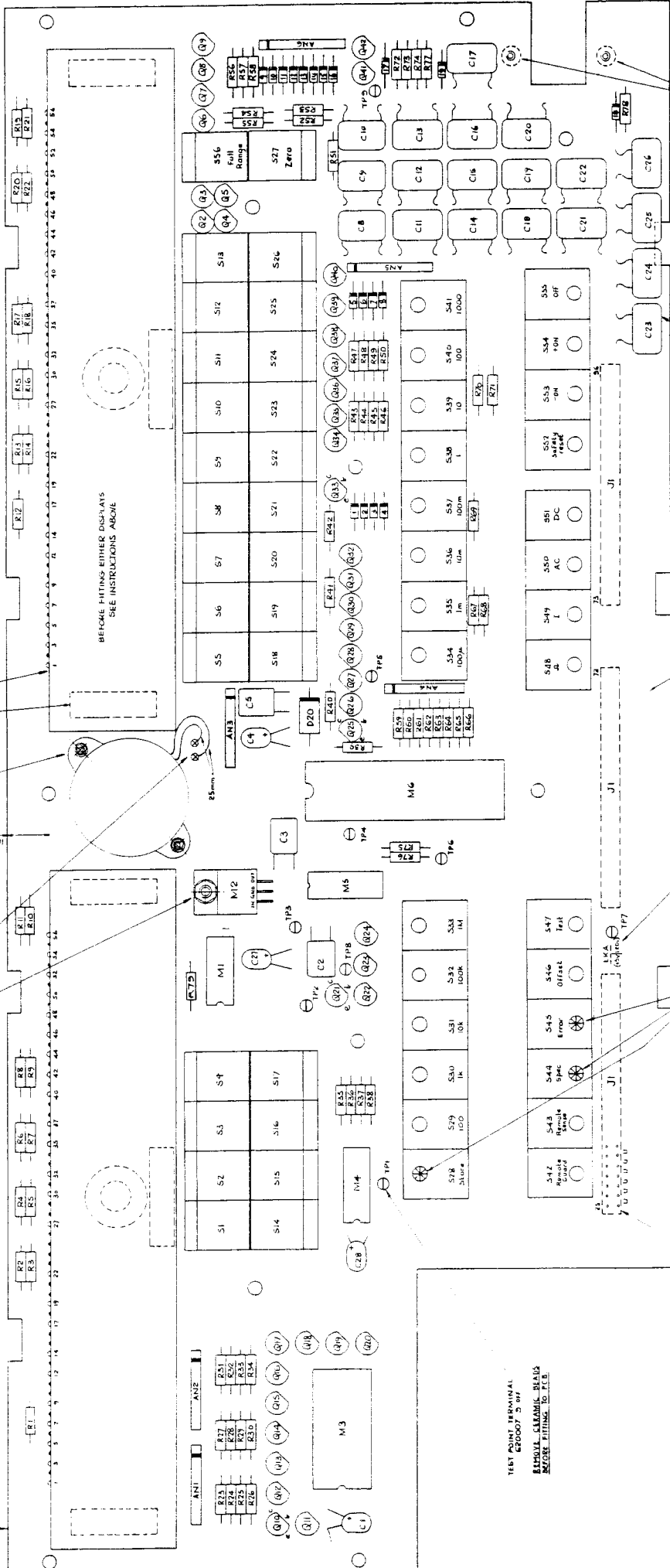
**ASSEMBLING I.C.s**  
FIT M1 INTO 16-WAY DIL SOCKET 605040  
FIT M3 INTO 24-WAY DIL SOCKET 605097  
FIT M4 INTO 16-WAY DIL SOCKET 605091  
FIT M6 INTO 40-WAY DIL SOCKET 605076

**ASSEMBLING DISPLAYS**  
PINS OF THE DISPLAYS MUST BE CUT ALONG THE LINE SHOWN IN THE DRAWING. THE 84 PINS MUST BE BENT FROM 'A' TO 'B' BEFORE INSERTION INTO PCB.

**ASSEMBLING DISPLAYS**  
EACH DISPLAY TO HAVE 3 PIECES OF PRESSURE SENSITIVE TAPE (PART NO. 300275) 25mm LONG, STUCK TO THE REVERSE OF THE DISPLAY. STICK ONE PIECE TO EACH PIN ON THE DISPLAY. STICK THE OTHER TWO PIECES TO THE REVERSE OF THE DISPLAY. THE 84 PINS ONLY WHICH ARE SHOWN BELOW (THERE ARE ONLY SOLDER TABS FOR THESE PINS)

**ASSEMBLING BUZZER**  
SECURE BUZZER (PART NO. 300076) WITH 2mm MEASURED SLOT CSK 5x2.5mm 611054  
3mm MEASURED 618026 618027  
2mm MEASURED FULL HOLE 615016

**ASSEMBLING TERMINALS**  
2mm SOLDER TERMINAL 602003  
TO SECURE M2 SEE FINISHING DETAIL AT BOTTOM OF SHEET



2mm SOLDER TERMINAL 602003

ENSURE THAT CB TO C26 LEADS ARE FORMED WITH THE LEADS SPACED AWAY FROM THE PCB.

NOTE: ALL PINS ON SOLDER SIDE OF PCB MUST BE CROPPED TO 2.5mm OR LESS.

NOTE: LINK SHOWN COILED, NOT FITTED AT FACT STAGE.

NOTE: 3mm 24-WAY DIL PCB PINS SHOULD BE CUT ALONG THE LINE SHOWN IN THE DRAWING TO ENSURE THAT BODY IS FLAT & SQUARE TO PCB WITH MOUNTED PINS POINTING TOWARDS LOWER EDGE OF PCB.

NOTE: 2mm 16-WAY DIL SOCKET 605040  
WASHER M3 SHAKE PROOF 615005  
NUT M3 HEX FULL 605002



NOTE: ALL VIA HOLES AND SPARE COMPONENT HOLES MUST BE SOLDERED.

NOTE: GREEN LED 5mm ALL OTHERS RED

NOTE: 2mm 16-WAY DIL SOCKET 605040  
WASHER M3 SHAKE PROOF 615005  
NUT M3 HEX FULL 605002

NOTE: 2mm 16-WAY DIL SOCKET 605040  
WASHER M3 SHAKE PROOF 615005  
NUT M3 HEX FULL 605002



VIEW TO SHOW FINISH

TEST POINT TERMINAL 602007 2mm

APPLY CLEANING FLUID BEFORE FINISHING TO I.C.s

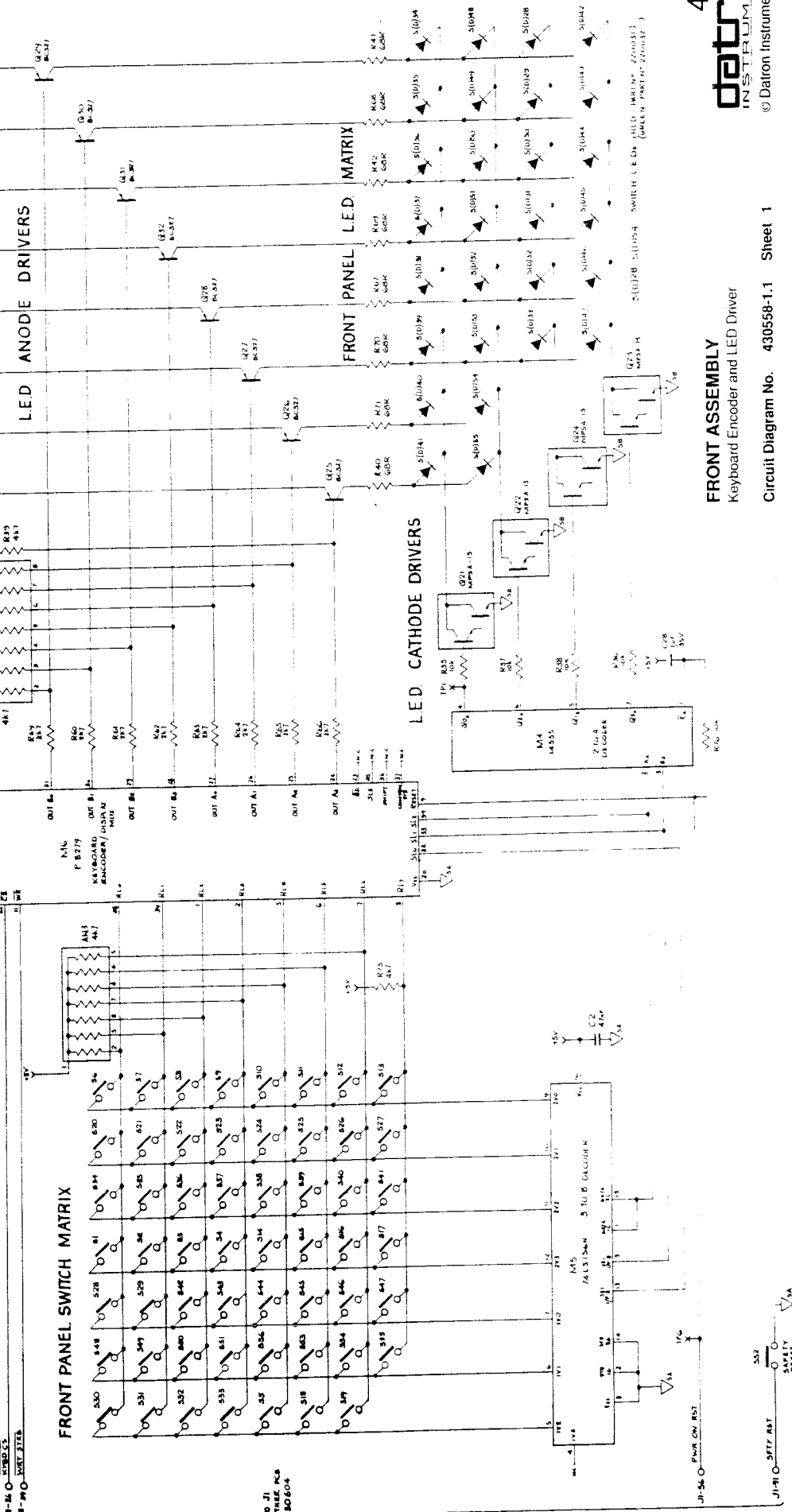
2mm 16-WAY DIL SOCKET 605040  
WASHER M3 SHAKE PROOF 615005  
NUT M3 HEX FULL 605002

VIEW TO SHOW FINISH

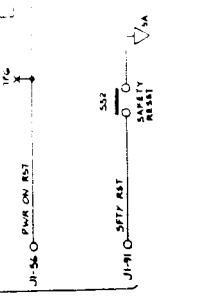
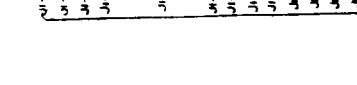
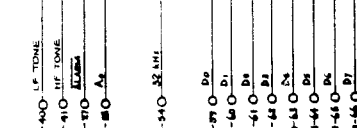
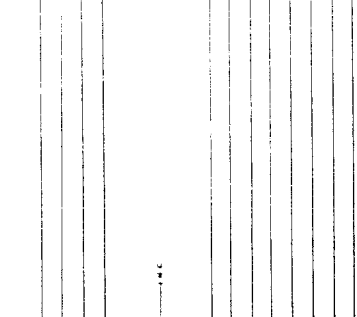
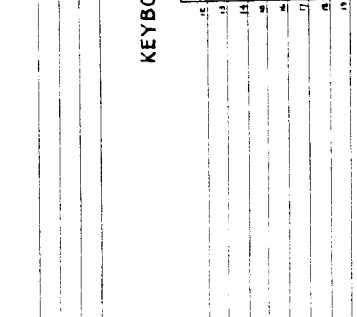
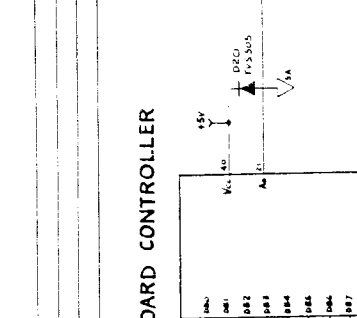
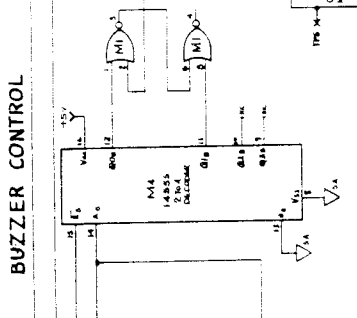
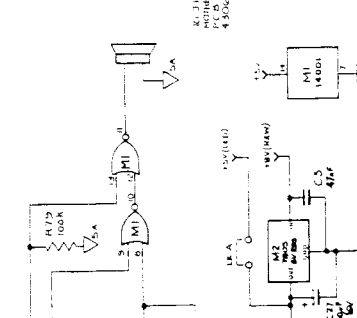
BUZZER CONTROL

KEYBOARD CONTROLLER

FRONT PANEL SWITCH MATRIX



J1-400	LF 10MΩ	10K
J1-410	10K	10K
J1-420	10K	10K
J1-430	10K	10K
J1-440	10K	10K
J1-450	10K	10K
J1-460	10K	10K
J1-470	10K	10K
J1-480	10K	10K
J1-490	10K	10K
J1-500	10K	10K
J1-510	10K	10K
J1-520	10K	10K
J1-530	10K	10K
J1-540	10K	10K
J1-550	10K	10K



**FRONT ASSEMBLY**



MID OF THE DISPLAYS MUST BE CUT ALONG THE LINE SHOWN. THE CUT MUST BE MADE BEFORE INSERTION INTO P.C.B.

24 PIN SOLIDER TERMINAL 650003 TO SECURE ME THE FINISH DETAIL AT BOTTOM OF SHEET

ASSEMBLING: S13 FIT M3 INTO 24 WAY DIL SOCKET 605097 FIT M4 INTO 40 WAY DIL SOCKET 605098 FIT M4 INTO 40 WAY DIL SOCKET 605098

24 PIN SOLIDER TERMINAL 650003 TO SECURE ME THE FINISH DETAIL AT BOTTOM OF SHEET

24 PIN SOLIDER TERMINAL 650003 TO SECURE ME THE FINISH DETAIL AT BOTTOM OF SHEET

24 PIN SOLIDER TERMINAL 650003 TO SECURE ME THE FINISH DETAIL AT BOTTOM OF SHEET

P.C.B. (110) (11)

TAPE

TO REMOVE DISPLAY

TO REMOVE DISPLAY

TO REMOVE DISPLAY

TO REMOVE DISPLAY

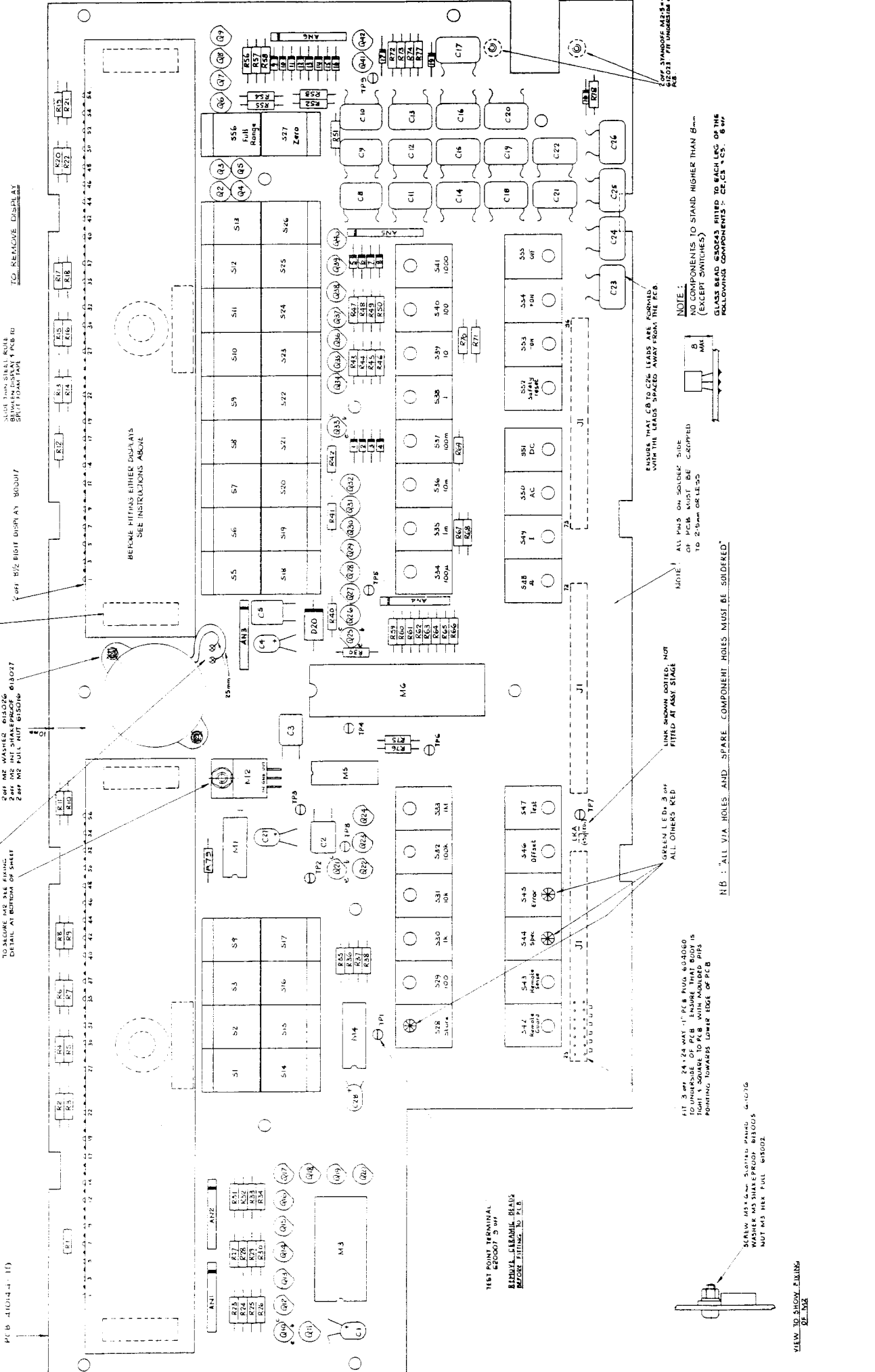
TO REMOVE DISPLAY

TO REMOVE DISPLAY

TO REMOVE DISPLAY

TO REMOVE DISPLAY

TO REMOVE DISPLAY



BEFORE FITTING EITHER DISPLAYS SEE INSTRUCTIONS ABOVE

24 PIN SOLIDER TERMINAL 650003 TO SECURE ME THE FINISH DETAIL AT BOTTOM OF SHEET

24 PIN SOLIDER TERMINAL 650003 TO SECURE ME THE FINISH DETAIL AT BOTTOM OF SHEET

24 PIN SOLIDER TERMINAL 650003 TO SECURE ME THE FINISH DETAIL AT BOTTOM OF SHEET

24 PIN SOLIDER TERMINAL 650003 TO SECURE ME THE FINISH DETAIL AT BOTTOM OF SHEET

24 PIN SOLIDER TERMINAL 650003 TO SECURE ME THE FINISH DETAIL AT BOTTOM OF SHEET

24 PIN SOLIDER TERMINAL 650003 TO SECURE ME THE FINISH DETAIL AT BOTTOM OF SHEET

24 PIN SOLIDER TERMINAL 650003 TO SECURE ME THE FINISH DETAIL AT BOTTOM OF SHEET

24 PIN SOLIDER TERMINAL 650003 TO SECURE ME THE FINISH DETAIL AT BOTTOM OF SHEET

24 PIN SOLIDER TERMINAL 650003 TO SECURE ME THE FINISH DETAIL AT BOTTOM OF SHEET

24 PIN SOLIDER TERMINAL 650003 TO SECURE ME THE FINISH DETAIL AT BOTTOM OF SHEET

24 PIN SOLIDER TERMINAL 650003 TO SECURE ME THE FINISH DETAIL AT BOTTOM OF SHEET

24 PIN SOLIDER TERMINAL 650003 TO SECURE ME THE FINISH DETAIL AT BOTTOM OF SHEET

24 PIN SOLIDER TERMINAL 650003 TO SECURE ME THE FINISH DETAIL AT BOTTOM OF SHEET

24 PIN SOLIDER TERMINAL 650003 TO SECURE ME THE FINISH DETAIL AT BOTTOM OF SHEET

24 PIN SOLIDER TERMINAL 650003 TO SECURE ME THE FINISH DETAIL AT BOTTOM OF SHEET

24 PIN SOLIDER TERMINAL 650003 TO SECURE ME THE FINISH DETAIL AT BOTTOM OF SHEET

24 PIN SOLIDER TERMINAL 650003 TO SECURE ME THE FINISH DETAIL AT BOTTOM OF SHEET

24 PIN SOLIDER TERMINAL 650003 TO SECURE ME THE FINISH DETAIL AT BOTTOM OF SHEET

24 PIN SOLIDER TERMINAL 650003 TO SECURE ME THE FINISH DETAIL AT BOTTOM OF SHEET

24 PIN SOLIDER TERMINAL 650003 TO SECURE ME THE FINISH DETAIL AT BOTTOM OF SHEET

24 PIN SOLIDER TERMINAL 650003 TO SECURE ME THE FINISH DETAIL AT BOTTOM OF SHEET

24 PIN SOLIDER TERMINAL 650003 TO SECURE ME THE FINISH DETAIL AT BOTTOM OF SHEET

24 PIN SOLIDER TERMINAL 650003 TO SECURE ME THE FINISH DETAIL AT BOTTOM OF SHEET

24 PIN SOLIDER TERMINAL 650003 TO SECURE ME THE FINISH DETAIL AT BOTTOM OF SHEET

24 PIN SOLIDER TERMINAL 650003 TO SECURE ME THE FINISH DETAIL AT BOTTOM OF SHEET

24 PIN SOLIDER TERMINAL 650003 TO SECURE ME THE FINISH DETAIL AT BOTTOM OF SHEET

24 PIN SOLIDER TERMINAL 650003 TO SECURE ME THE FINISH DETAIL AT BOTTOM OF SHEET

24 PIN SOLIDER TERMINAL 650003 TO SECURE ME THE FINISH DETAIL AT BOTTOM OF SHEET

24 PIN SOLIDER TERMINAL 650003 TO SECURE ME THE FINISH DETAIL AT BOTTOM OF SHEET

24 PIN SOLIDER TERMINAL 650003 TO SECURE ME THE FINISH DETAIL AT BOTTOM OF SHEET

24 PIN SOLIDER TERMINAL 650003 TO SECURE ME THE FINISH DETAIL AT BOTTOM OF SHEET

24 PIN SOLIDER TERMINAL 650003 TO SECURE ME THE FINISH DETAIL AT BOTTOM OF SHEET

24 PIN SOLIDER TERMINAL 650003 TO SECURE ME THE FINISH DETAIL AT BOTTOM OF SHEET

24 PIN SOLIDER TERMINAL 650003 TO SECURE ME THE FINISH DETAIL AT BOTTOM OF SHEET

NOTE 1

NO COMPONENTS TO STAND HIGHER THAN 8mm (EXCEPT SWITCHES)

GLASS BEAD 650023 FITTED TO EACH LEG OF THE FOLLOWING COMPONENTS: C1-C22

NOTE 2

FRAMES THAT C1 TO C22 LEADS ARE FORMED WITH THE LEADS SPACED AWAY FROM THE PCB

NOTE 3

ALL PINS ON SOLIDER SIDE OF PCB MUST BE CROPPED TO 2.5mm OR LESS

NOTE 4

LINK SHOWN DOTTED, NOT FITTED AT ANY STAGE

NOTE 5

GREEN LED 3 OFF ALL OTHERS RED

NOTE 6

FIT 3 AND 24 WAY 11 PCB PUG 604060 TO EACH SQUARE TO PCB WITH MODIFIED PINS POINTING TOWARDS LOWER EDGE OF PCB

NOTE 7

WASHER M3 SHARP POINT 610176 NUT M3 HEX FULL 610002

NOTE 8

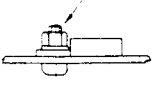
TEST POINT TERMINAL 650003 24 PIN

NOTE 9

REMOVABLE BEADS BRIDGE FITTING TO T.C.B.

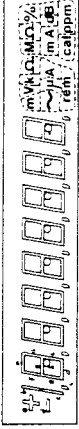
NOTE 10

VIEW TO SHOW PINS OF M3

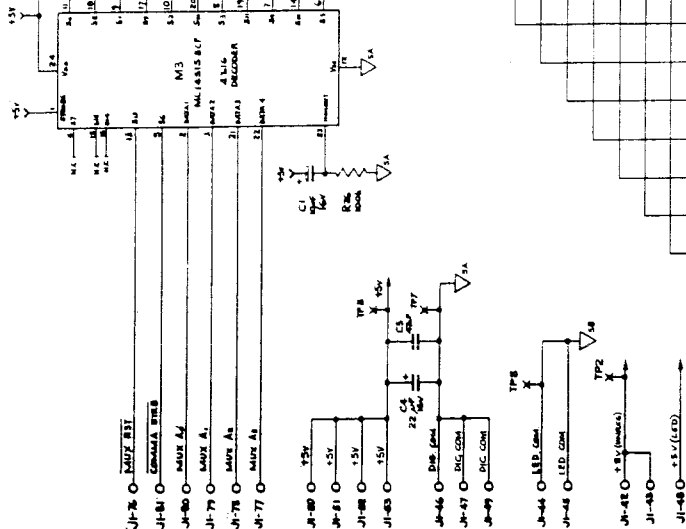


VIEW TO SHOW PINS OF M3

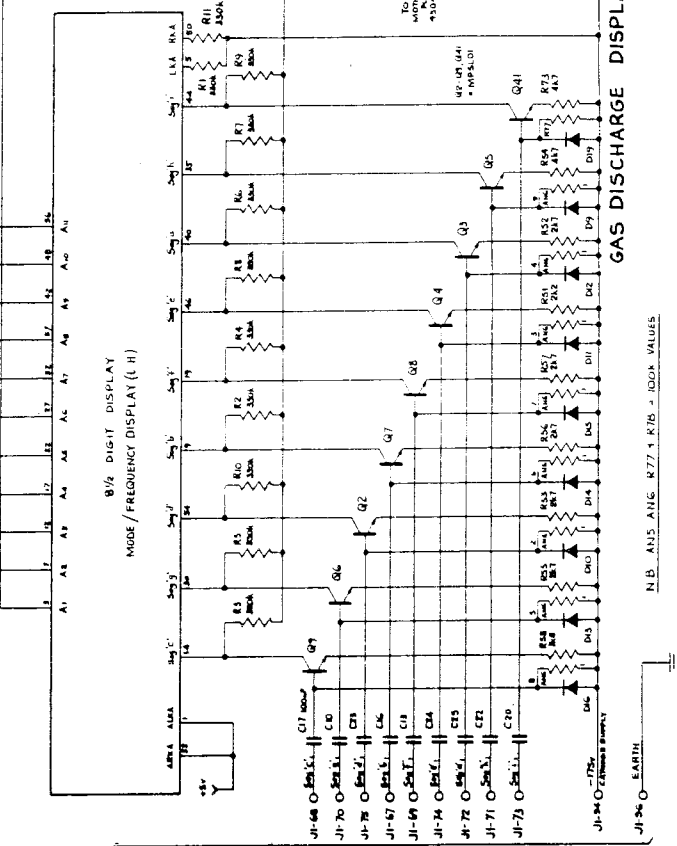
SEC.	ANODE	A1	A2	A3	A4	A5	A6	A7	A8	A9	A10
1	2	3	4	5	6	7	8	9	10	11	12



**GAS DISCHARGE DISPLAY ANODE DRIVERS**

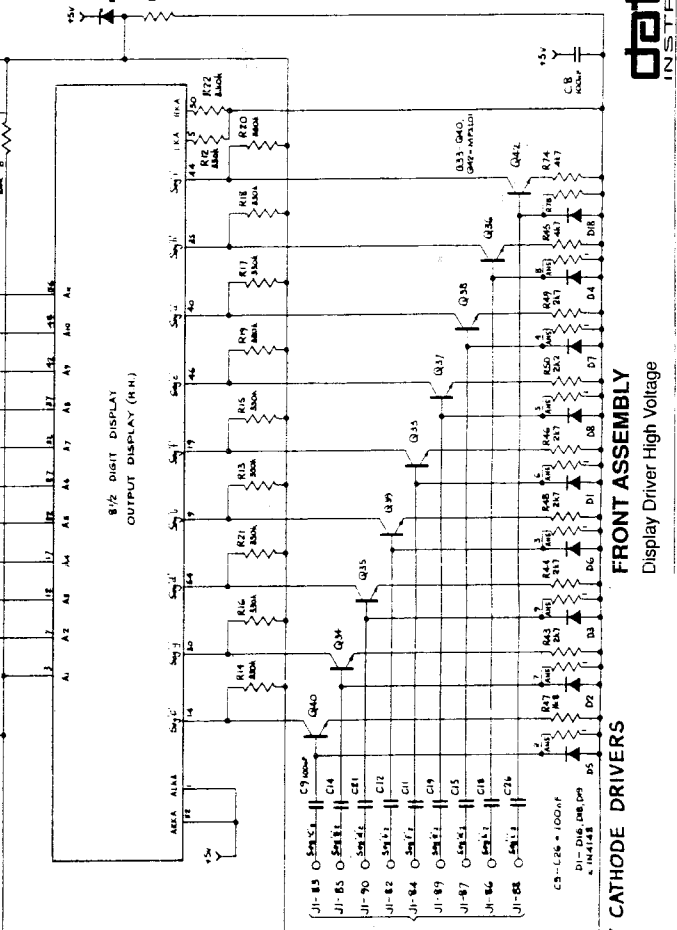


**GAS DISCHARGE DISPLAY CATHODE DRIVERS**



**FRONT ASSEMBLY**

Display Driver High Voltage



4708

**Datron**  
INSTRUMENTS

© Datron Instruments 1989

Circuit Diagram No. - 430558-1.0 Sheet 2

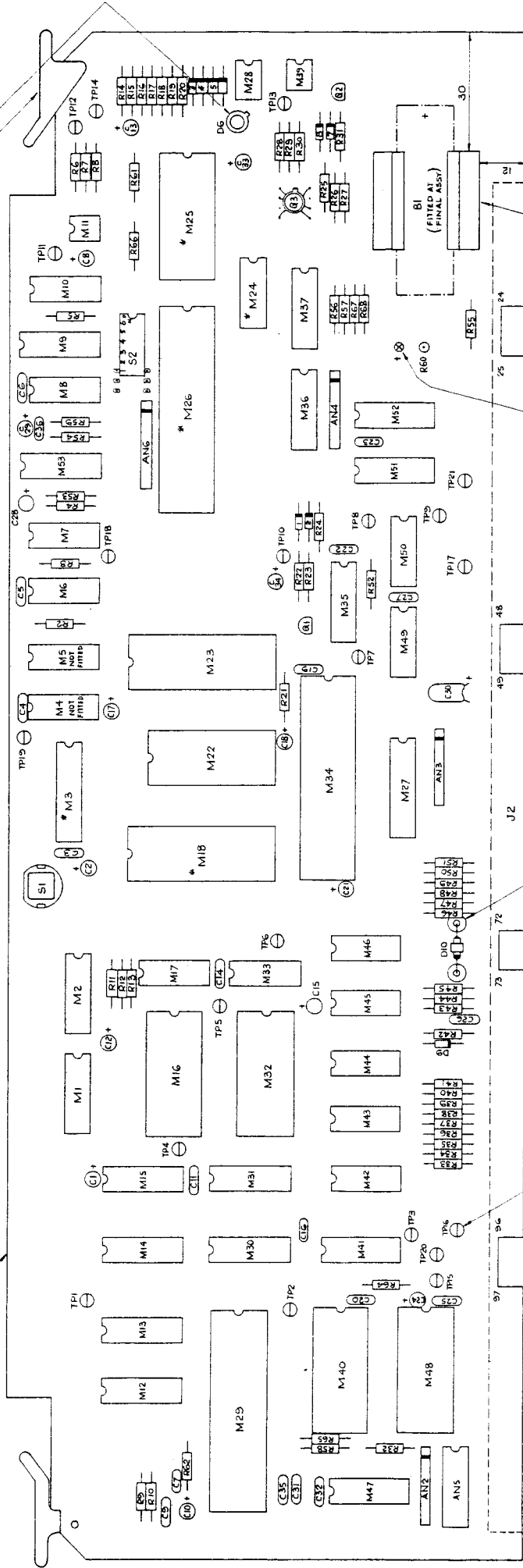
11.1-2

**DIGITAL ASSEMBLY**

MOUNT DG OVER T018 TRANSISTOR MOUNTING PAD G1800 BEFORE SOLDERING INTO PCB.

CIRCUIT BOARD EJECTOR (BLACK) 630112 2.0"

PCB 410248-4



TEST POINT TERMINAL G20007 21 01T

16-DWG-DIELECTRIC BEAD G30024 2.0"

SOLDER TERMINAL G20003

BATTERY CLIP G30098

\* NOTE: M3, M8, 24, 25, 4, 26 ARE NOT FITTED AT THIS ASSY STAGE.

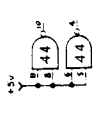
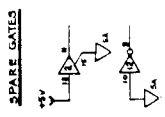
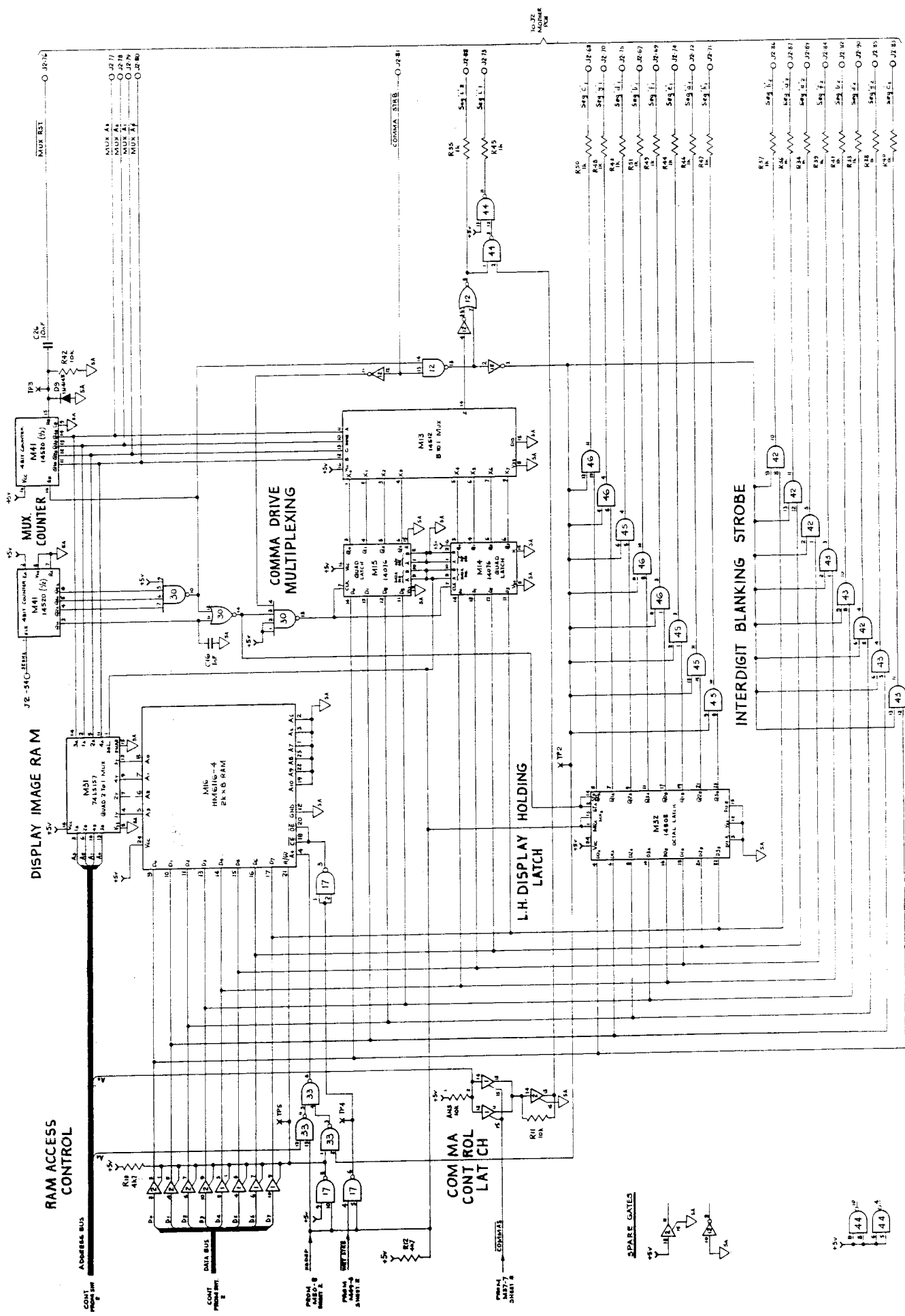
THE FOLLOWING COMPONENTS TO HAVE ONE GLASS BEAD G30243 ON EACH LEG: 28 P1, C3-C6, C9, C11, C14, C15, C20, C22, C23, C25, C27 & C32.

MOUNTING IC's		
No OF MNS	PART No.	No. OF USED POSITIONS
6	G05066	2 M11, M13
8	G05059	1 M28
14	G05060	14 M6-M8, M10, M17, M24, M33, M42, M46, M49, M50
16	G05061	16 M1, M2, M9, M12, M15, M30, M31, M35, M37, M41, M47, M51, M53
20	G05070	2 M3, M27
24	G05064	6 M16, M22, M25, M32, M40, M48
28	G05065	2 M18, M23
40	G05050	3 M26, M25, M34



**DIGITAL ASSEMBLY**  
Display Multiplexing Logic

Circuit Diagram No. 430796-1.0 Sheet 1



CONT. FROM SHEET 2  
CONT. FROM SHEET 2  
FROM SHEET 2  
FROM SHEET 2

DIGITAL ASSEMBLY

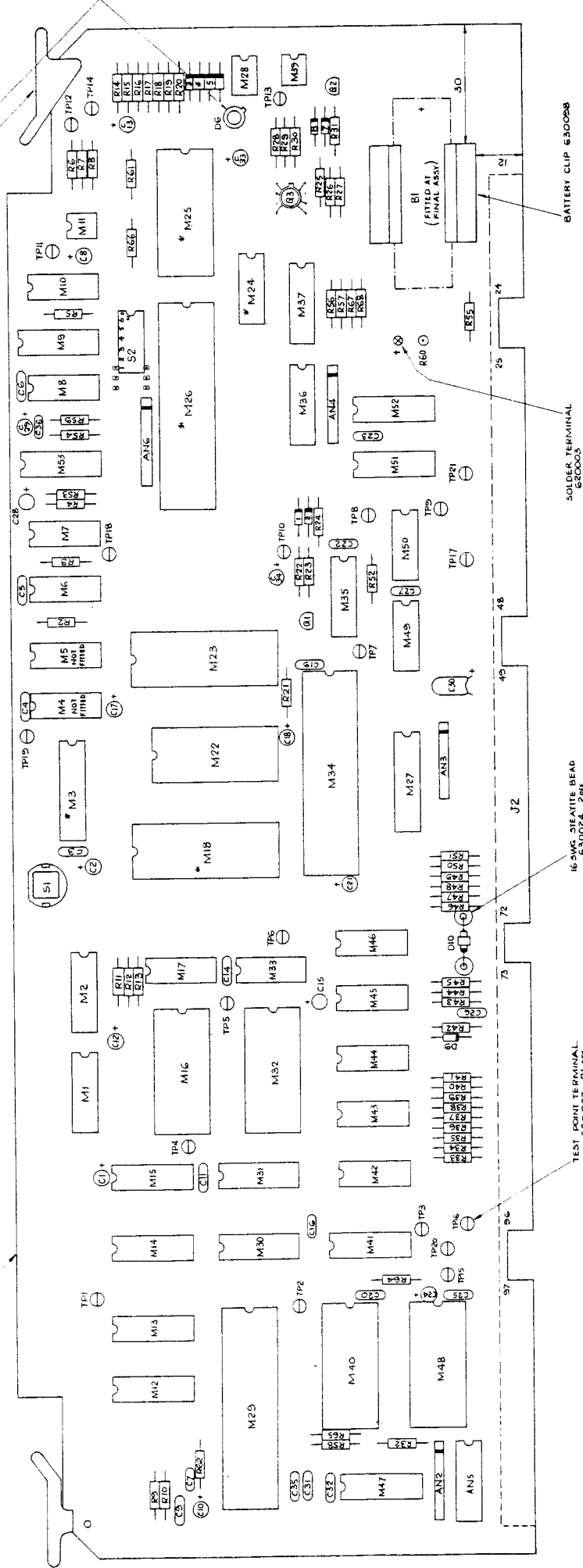
**Datron**  
INSTRUMENTS

4708

Mount DG over TO18 transistor mounting pad @ B1004 before soldering into PCB.

CIRCUIT BOARD EJECTOR (BLACK) 630112 26H

PCB 410248-4



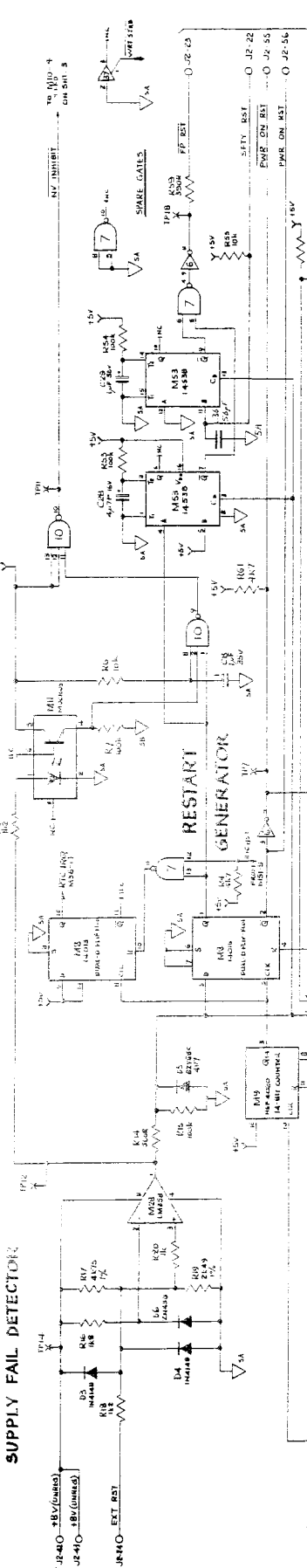
\* NOTE: M13, M18, 24, 25 + 26 ARE NOT FITTED AT THIS ASSY STAGE.

THE FOLLOWING COMPONENTS TO HAVE ONE GLASS BEAD 630243 ON EACH LIES: 28 OH, C28, C29, C30, C31, C32, C33, C34, C35, C36, C37, C38, C39, C40, C41, C42, C43, C44, C45, C46, C47, C48, C49, C50, C51, C52, C53, C54, C55, C56, C57, C58, C59, C60, C61, C62, C63, C64, C65, C66, C67, C68, C69, C70, C71, C72, C73, C74, C75, C76, C77, C78, C79, C80, C81, C82, C83, C84, C85, C86, C87, C88, C89, C90, C91, C92, C93, C94, C95, C96, C97, C98, C99, C100.

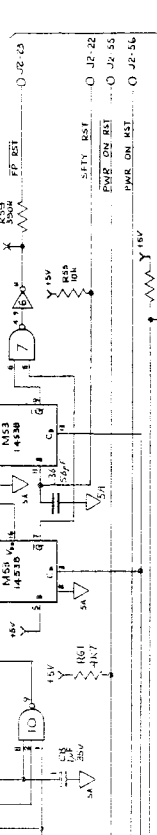
MOUNTING I.C.'s	
NO OF WAFS	PART No.
6	605066
8	605059
14	605060
16	605061
20	605070
24	605064
28	605065
40	605050

USED POSITIONS	
NO OF WAFS	PART No.
2	M11, M39
1	M28
14	M6, M8, M10, M17, M24, M33, M42, M46, M49, M50
17	M1, M2, M5, M12, M15, M30, M31, M35, M37, M41, M47, M51, M53
2	M3, M27
6	M16, M22, M25, M32, M40, M48
2	M18, M23
3	M26, M29, M34

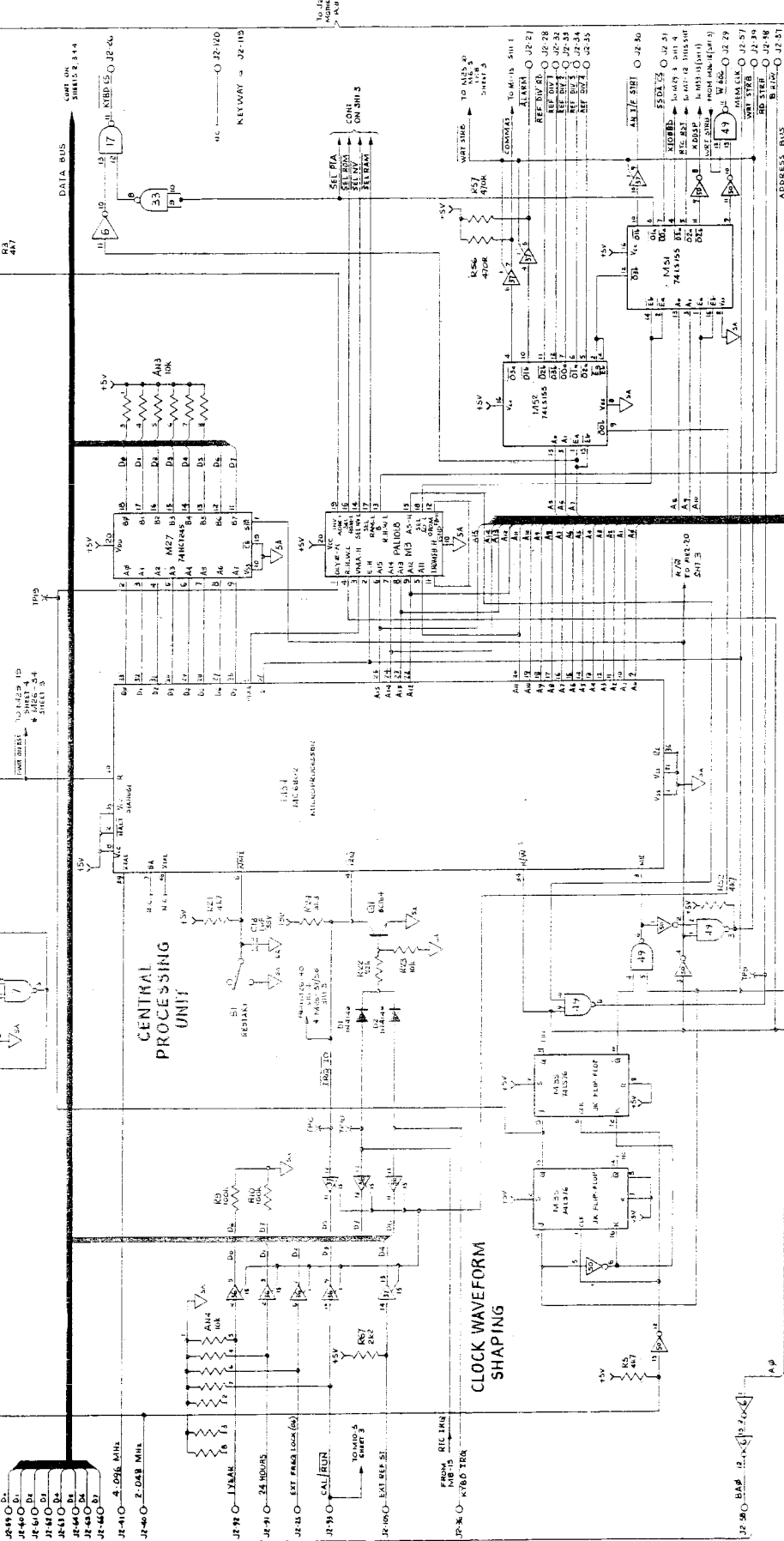
**SUPPLY FAIL DETECTOR**



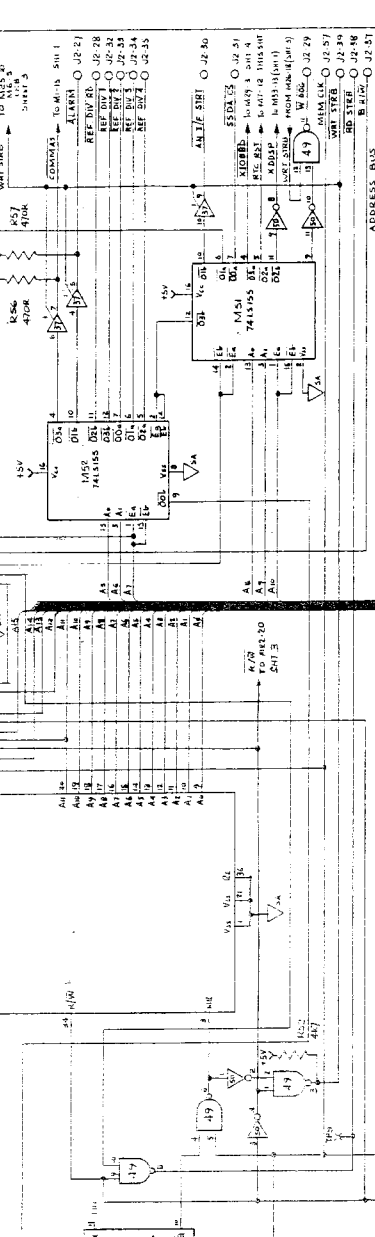
**RESTART GENERATOR**



**CENTRAL PROCESSING UNIT**



**CLOCK WAVEFORM SHAPING**

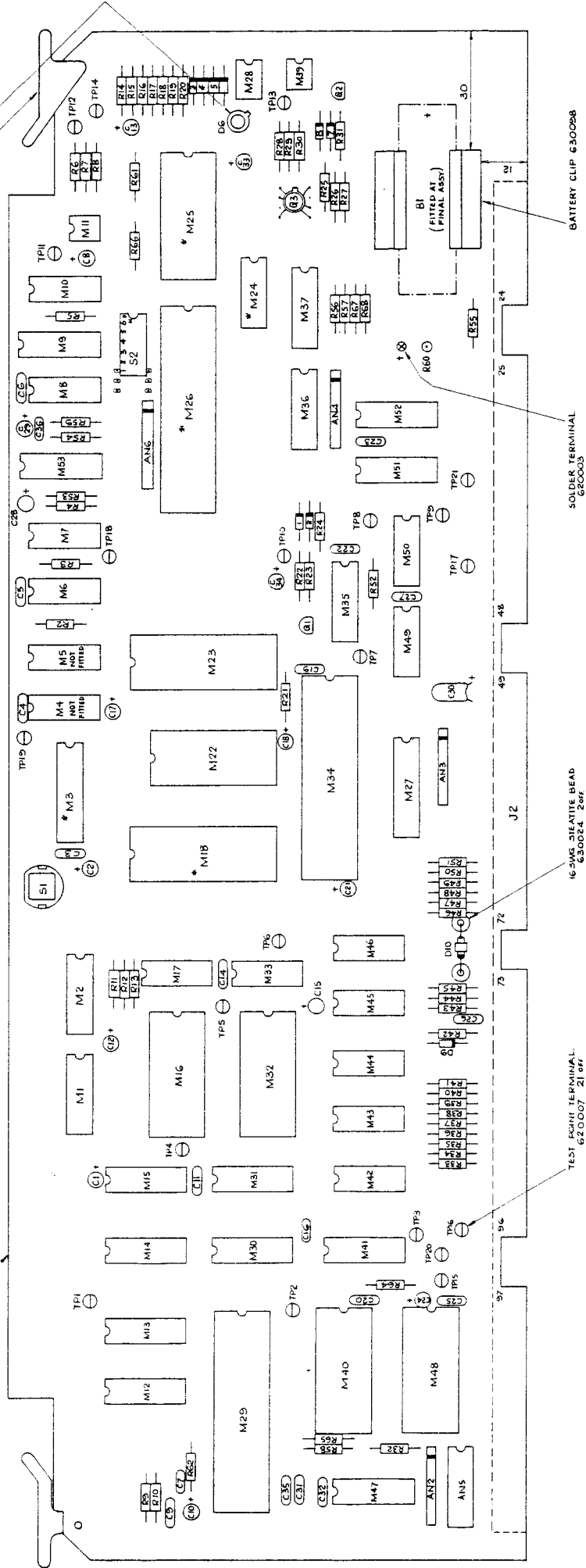


**DIGITAL ASSEMBLY**

MOUNT D6 OVER TOP TRANSISTOR MOUNTING PAD 618004 BEFORE SOLDERING INTO PCB.

CIRCUIT BOARD EJECTOR (BLACK) 650112 2.0F.

PLB 410248-4



\* NOTE: M3, 18, 24, 25, 26 ARE NOT FITTED AT THIS ASSY STAGE.

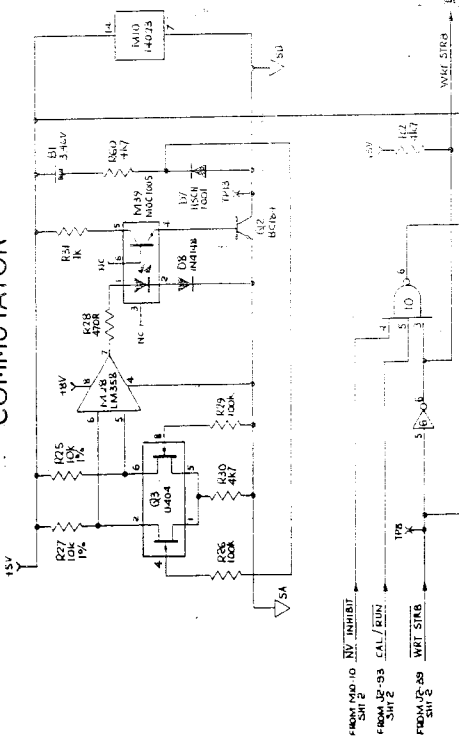
THE FOLLOWING COMPONENTS TO HAVE ONE GLASS BEAD 630024 ON EACH LEG: 28.0F., C23, C27, C32, C34, C35, C40, C41, C42, C43, C44, C45, C46, C47, C48, C49, C50, C51, C52, C53, C54, C55, C56, C57, C58, C59, C60, C61, C62, C63, C64, C65, C66, C67, C68, C69, C70, C71, C72, C73, C74, C75, C76, C77, C78, C79, C80, C81, C82, C83, C84, C85, C86, C87, C88, C89, C90, C91, C92, C93, C94, C95, C96, C97, C98, C99, C100.

MOUNTING I.C.'s	
No of WMS	PART No
6	605066 2
8	605059 1
14	605060 14
16	605061 17
20	605070 2
24	605064 6
28	605065 2
40	605050 3

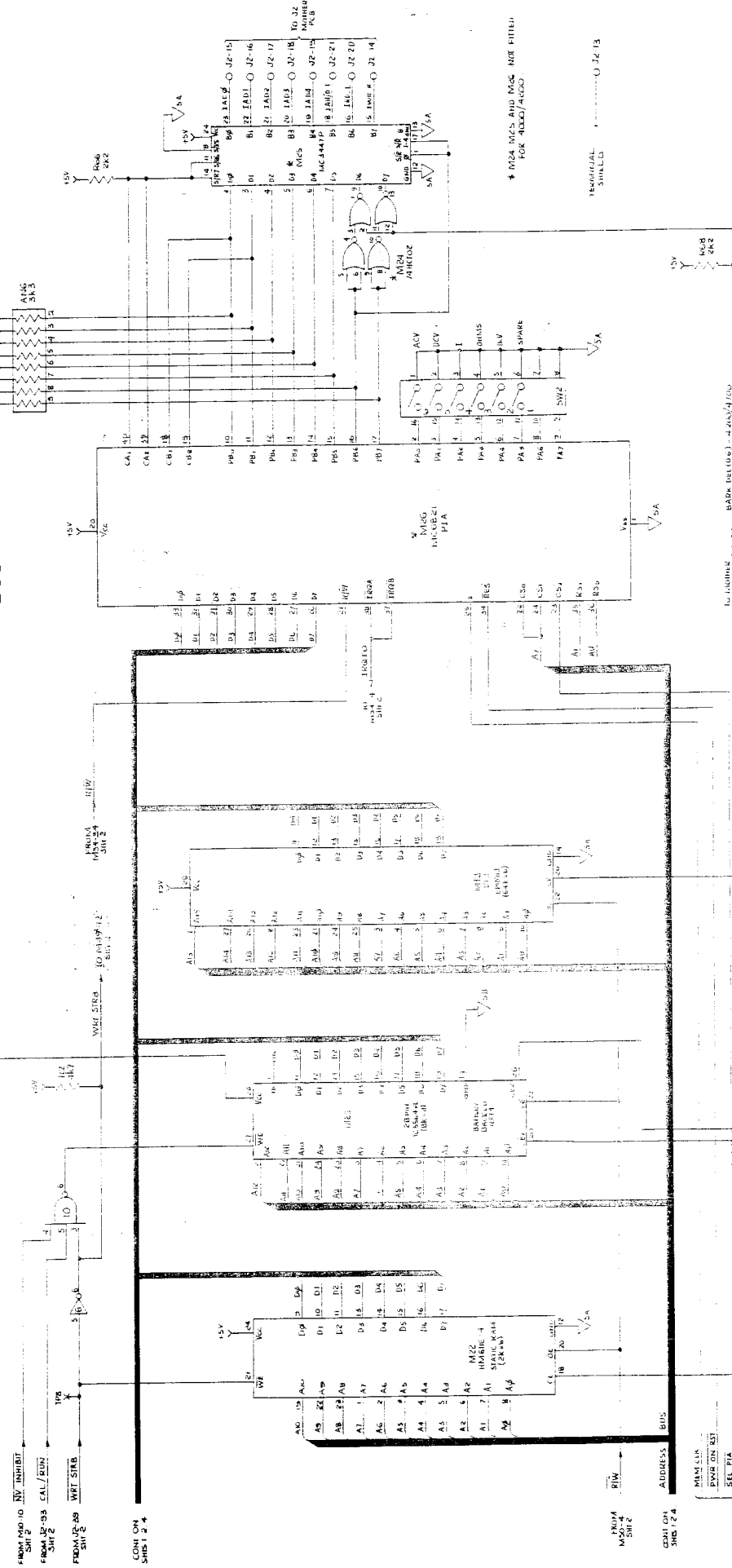
  

USED POSITIONS	
IC No	USED POSITIONS
M11	M39
M28	
M6-M8, M10, M17, M24, M33, M42-M46, M49, M50	
M1, M2, M5, M12, M15, M30, M31, M35-M37, M41, M47, M51-M53	
M3, M27	
M16, M22, M25, M32, M40, M48	
M18, M23	
M26, M29, M34	

# NON VOLATILE RAM SUPPLY COMMUTATOR



# DIGITAL BUS



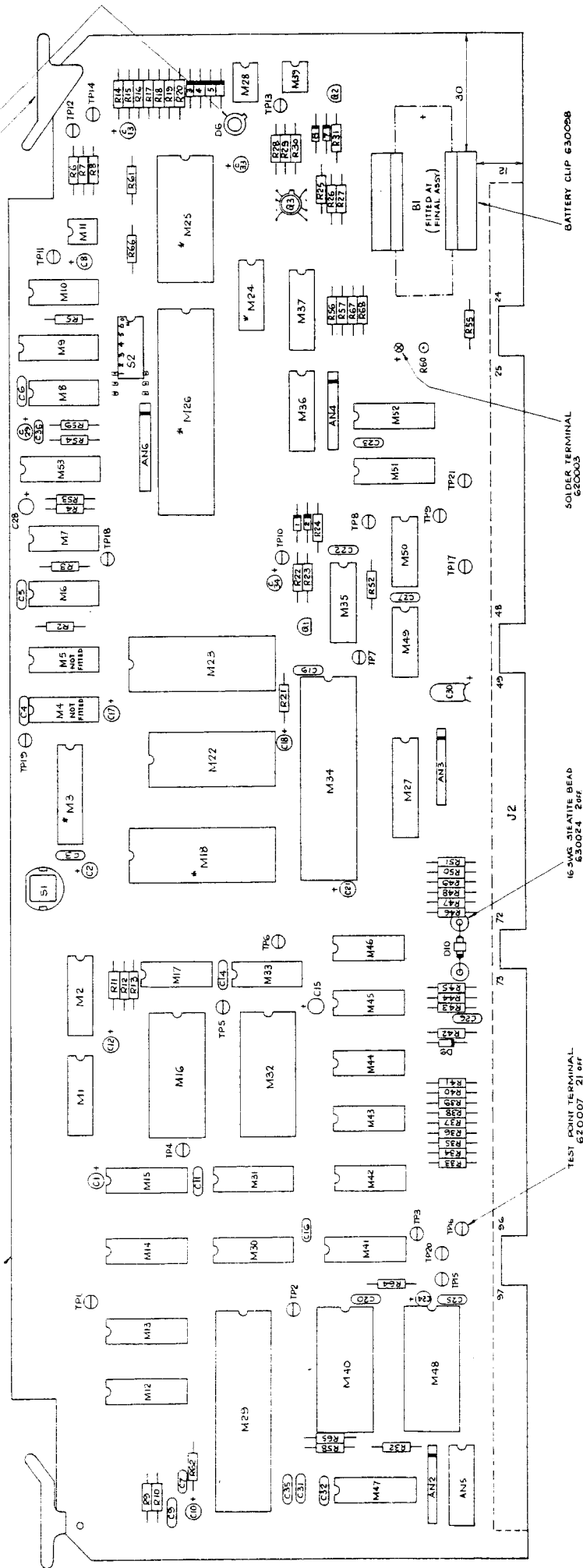
**DIGITAL ASSEMBLY**  
 Display Memory and Battery Backup  
 Circuit Diagram No. 430796-1.0 Sheet 3

**DIGITAL ASSEMBLY**

Mount on dies this transistor  
package into board before  
soldering into PCB.

CIRCUIT BOARD EJECTOR (BLACK)  
650112 2 ea

PCB 410245-4



\* NOTE: M3, M5, M24, M25, & M26 ARE NOT FITTED  
AT THIS ASSY STAGE

THE FOLLOWING COMPONENTS TO HAVE ONE  
GLASS BEAD 630243 ON EACH LEG: M3, M5,  
M24, M25, M26, M31, M32, M33, M34, M35,  
M36, M37, M38, M39, M40, M41, M42, M43,  
M44, M45, M46, M47, M48, M49, M50, M51,  
M52, M53, M54, M55.

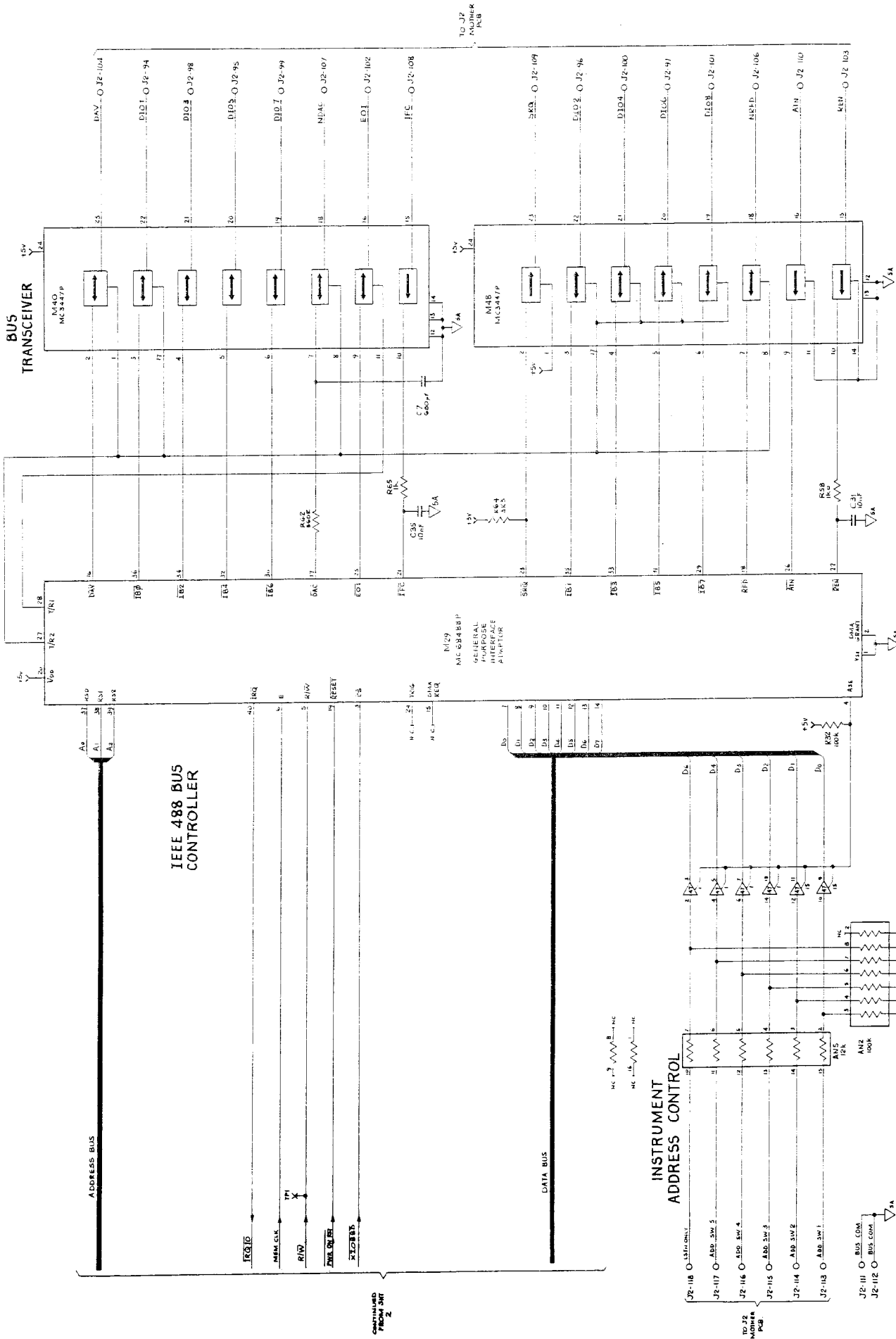
MOUNTING I.C.'s		
No of WMS	Part No	USED POSITIONS
6	605064	M11, M39
8	605059	M28
14	605060	M6, M8, M10, M17, M24, M33, M42, M46, M49, M50
16	605061	M1, M2, M5, M16, M18, M31, M35, M37, M41, M47, M51, M53
20	605070	M3, M27
24	605064	M16, M22, M25, M32, M40, M48
28	605065	M18, M23
40	605050	M26, M29, M34

16-DWG SILICATE BEAD  
630024 2 ea

TEST POINT TERMINAL  
620007 21 ea

SOLDER TERMINAL  
620005

BATTERY CLIP 630058



CONTINUED FROM SHEET 2

TO J2 MOTHER PCB

DIGITAL ASSEMBLY

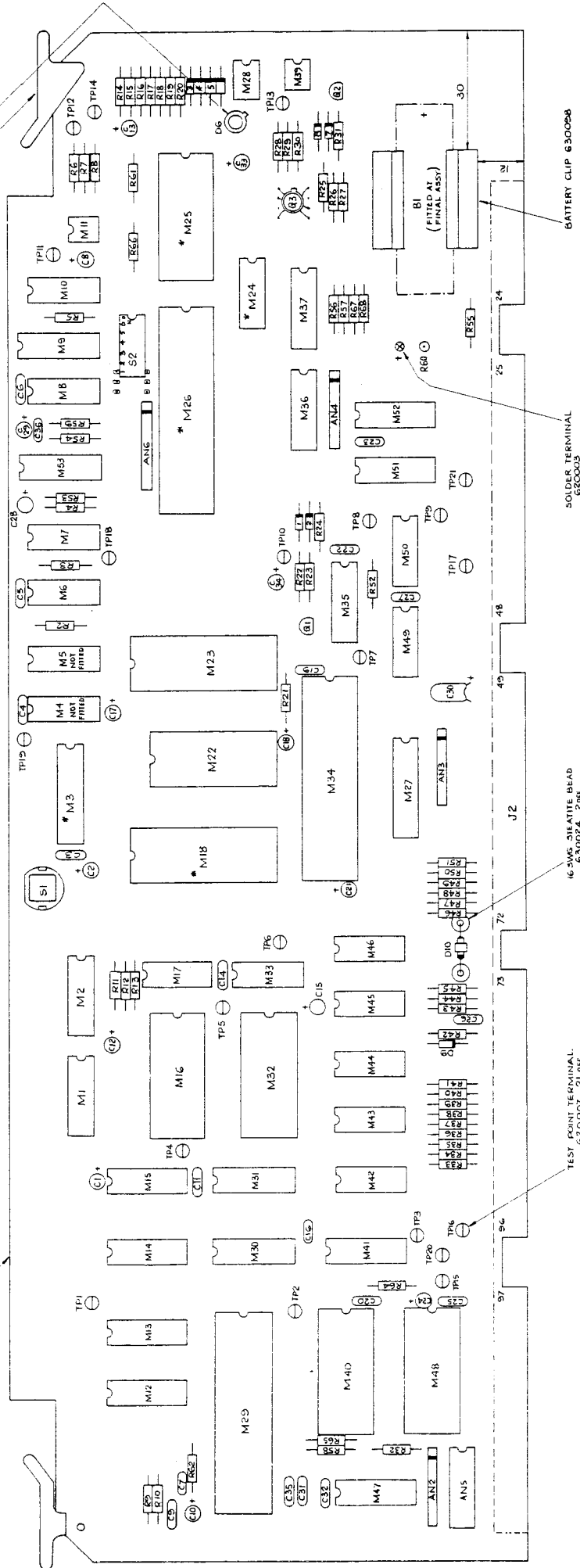
**Datron**  
INSTRUMENTS

4708

Mount DC OVER TOLE TRANSISTOR  
MOUNTING TABS ON BOARD BEFORE  
SOLDERING INTO PCB.

CIRCUIT BOARD EJECTOR (BLACK)  
630112 2.0H

PCB 410248-4



\* NOTE  
M3, IB, 24, 25 + 26 ARE NOT FITTED  
AT THIS ASSY STAGE

THE FOLLOWING COMPONENTS TO HAVE ONLY  
GLASS BEAD 630243 ON EACH LEG 28 OH.  
C3, C6, C9, C11, C14, C19, C20, C22, C23,  
C25, C27 + C32.

TEST POINT TERMINAL.  
620007 21 OH

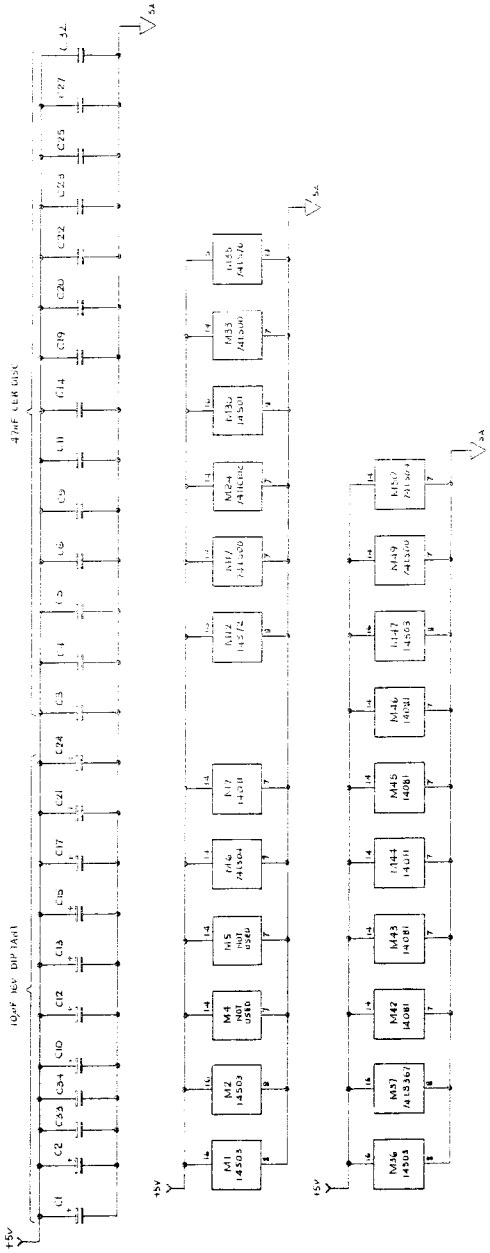
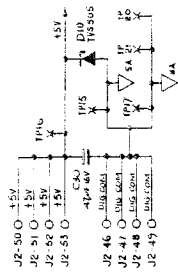
16-2WG DIAMITE BEAD  
630054 2OH

SOLDER TERMINAL  
620003

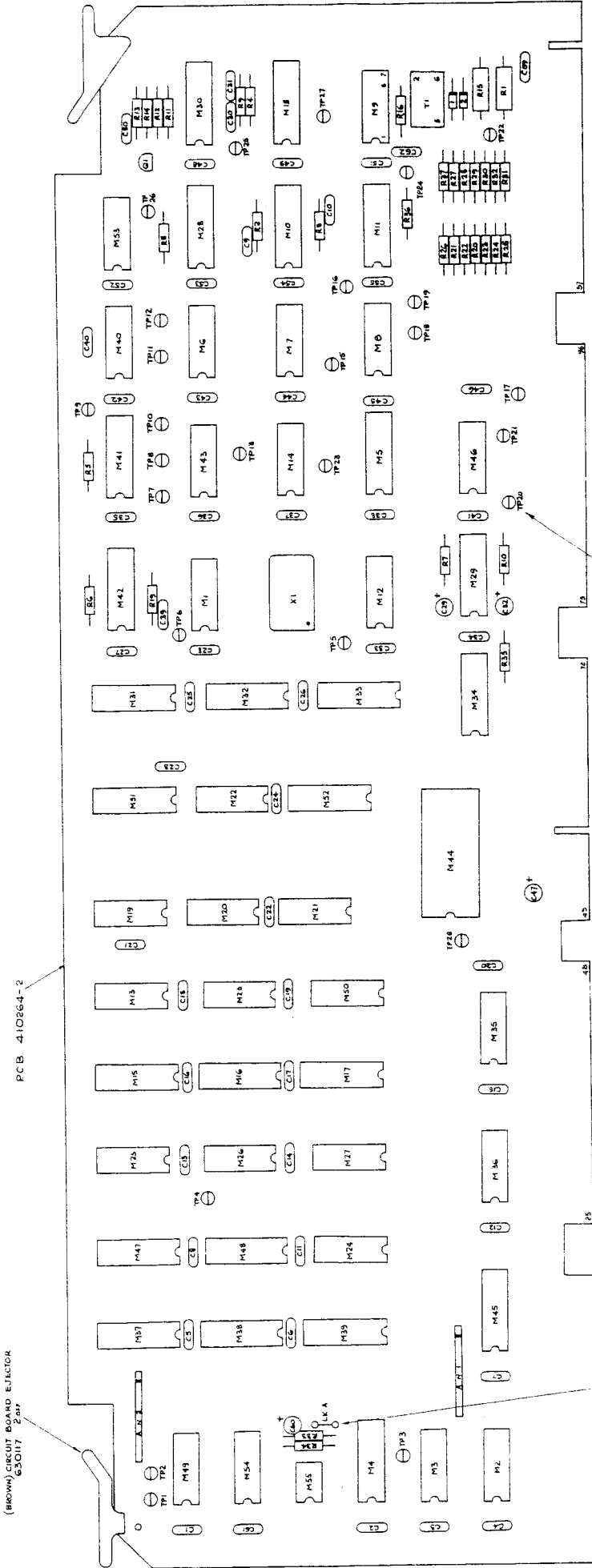
BATTERY CLIP 630068

MOUNTING IC's		
No OF WAYS	PART No	USED POSITIONS
6	605066	M11, M39
8	605059	M28
14	605060	M6-M8, M10, M17, M24, M33, M42-M46, M49, M50
16	605061	M1, M2, M5, M16-M18, M30, M31, M35-M37, M41, M47, M51-M53
20	605070	M3, M27
24	605064	M16, M22, M25, M32, M40, M48
28	605063	M18, M23
40	605050	M26, M29, M34





**ANALOG INTERFACE ASSEMBLY**



18 GLASS BEAD 630643 FITTED TO EACH LEG  
OF THE FOLLOWING COMPONENTS: C1-C6,  
C11-C13, C18, C19, C20, C21, C22,  
C23, C24, C25, C26, C27, C28, C29, C30

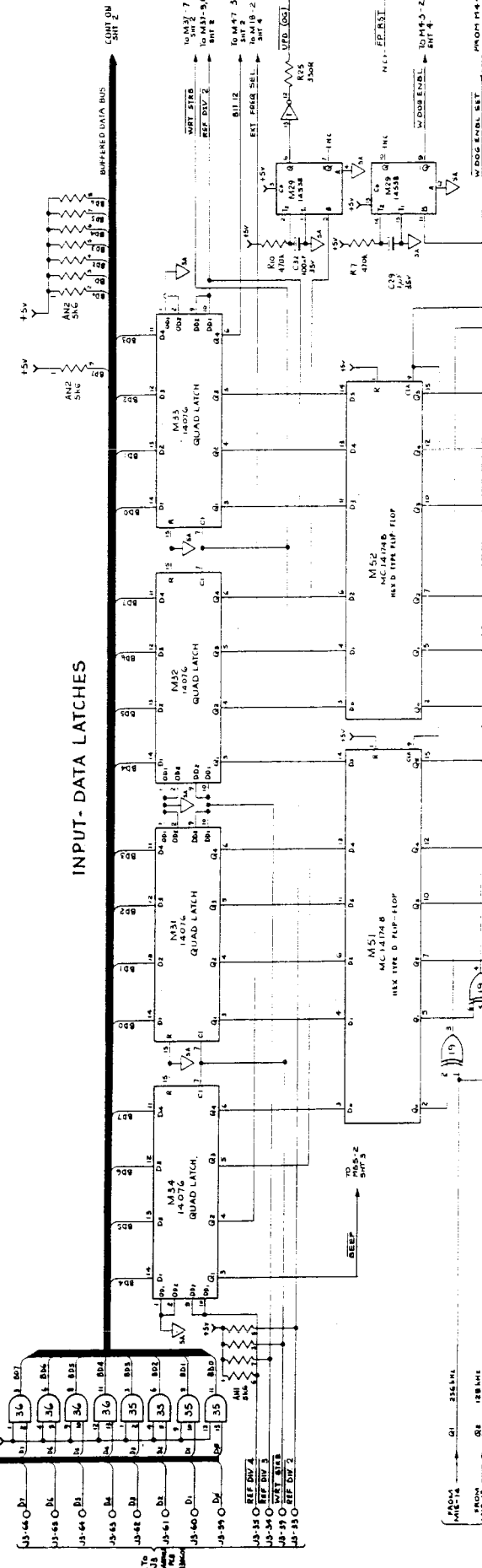
MOUNTING IC's	
IC PART #	USED TO MOUNT
605059	55
605060	1, 3, 6, 9, 12, 14, 15, 17, 23, 36, 40, 43, 46, 48, 50, 53, 54
605061	4, 5, 15, 16, 17, 22, 31, 34, 37, 38, 41, 42, 45, 47, 48, 51, 52, 10, 11, 18, 25, 26, 30
605064	44

DATA BUS

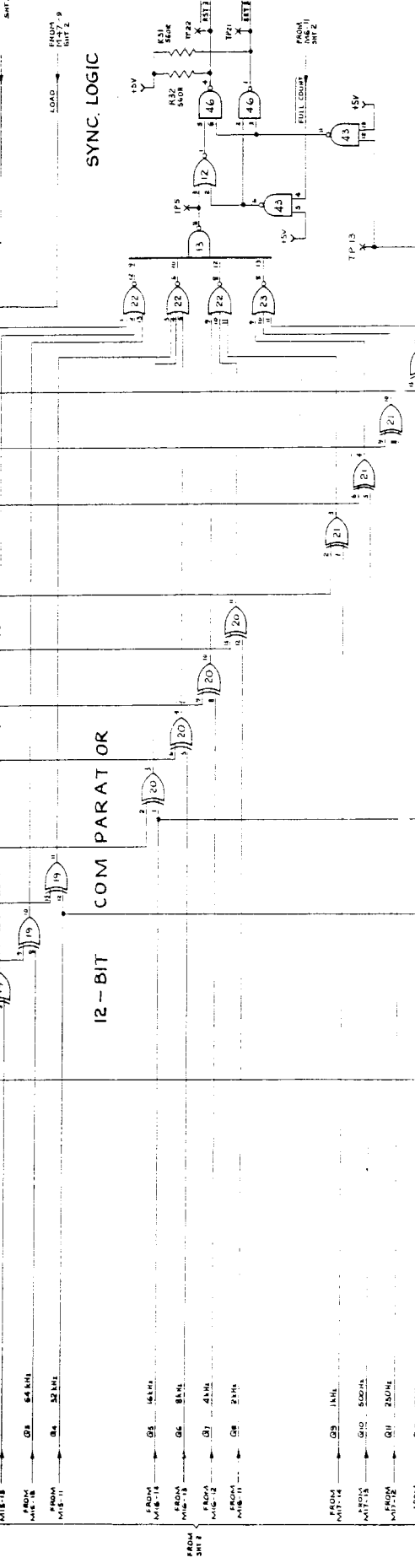
CONTR. ON SMT 2

CONTR. ON SMT 2

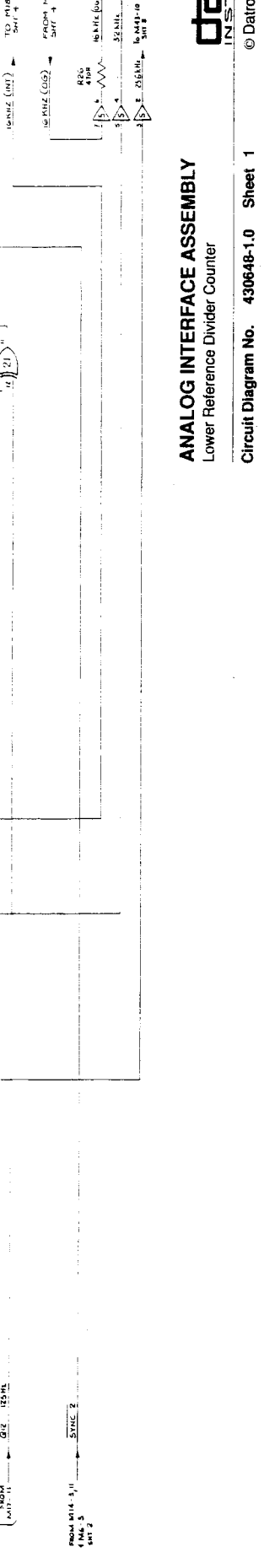
### INPUT-DATA LATCHES



### 12-BIT COMPARATOR



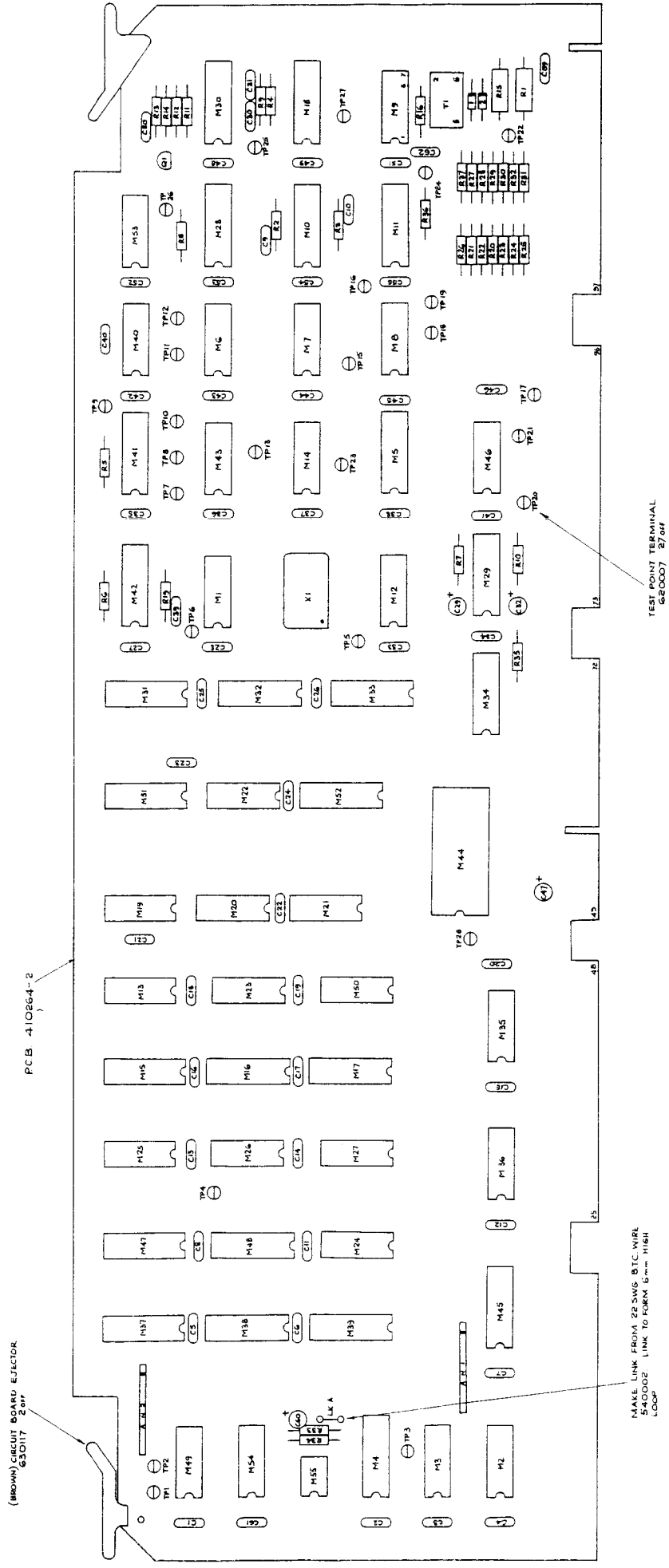
### SYNC LOGIC



**ANALOG INTERFACE ASSEMBLY**  
Lower Reference Divider Counter

Circuit Diagram No. 430648-1.0 Sheet 1

**ANALOG INTERFACE ASSEMBLY**



N.B. GLASS BEAD 650643 FITTED TO EACH LEG OF THE FOLLOWING COMPONENTS: C1, C2, C3, C4, C5, C6, C7, C8, C9, C10, C11, C12, C13, C14, C15, C16, C17, C18, C19, C20, C21, C22, C23, C24, C25, C26, C27, C28, C29, C30, C31, C32, C33, C34, C35, C36, C37, C38, C39, C40, C41, C42, C43, C44, C45, C46, C47, C48, C49, C50, C51, C52, C53, C54, C55, C56, C57, C58, C59, C60, C61, C62, C63, C64, C65, C66, C67, C68, C69, C70, C71, C72, C73, C74, C75, C76, C77, C78, C79, C80, C81, C82, C83, C84, C85, C86, C87, C88, C89, C90, C91, C92, C93, C94, C95, C96, C97, C98, C99, C100.

MOUNTING IC's		USED TO MOUNT	
N° WAYS PART N°			N° DIFF
8	605039	55	1
1-4	605060	1-3, 6-9, 12-14, 19-27, 30-35, 40-43, 45, 49, 50, 53, 54	28
16	605061	2, 5, 10, 16, 17, 23, 31, 34, 37, 39, 41, 42, 45, 47, 48, 51, 52, 10/11, 18, 25	25
24	605064	4, 4	1

MAKE LINK FROM 22 SWG BTC-WIRE  
1/4" WIDE LINK TO FORM 6mm HIGH  
LOOP

TEST POINT TERMINAL  
620007 27 off

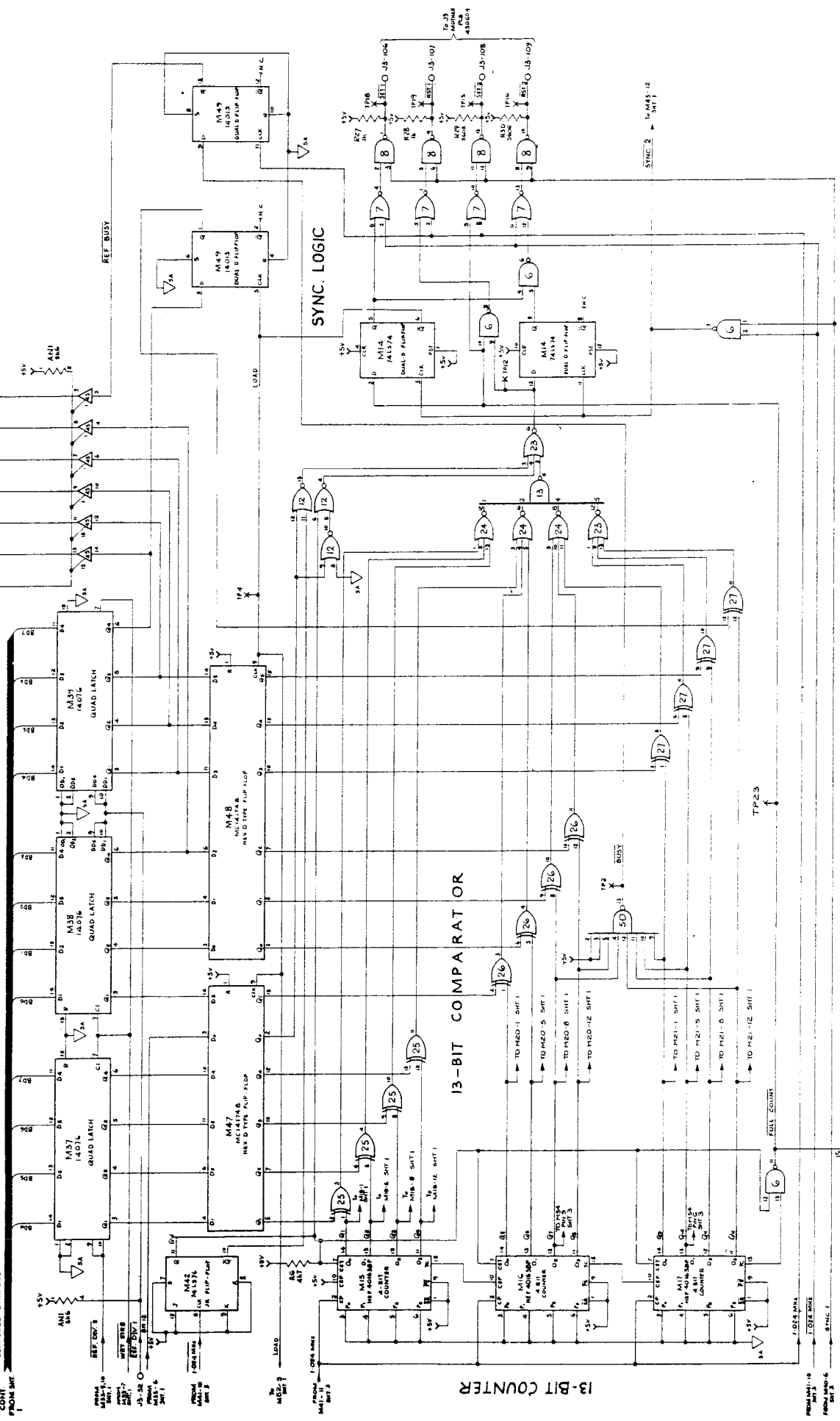
CONT. ON  
SHEET 3

DATA BUS

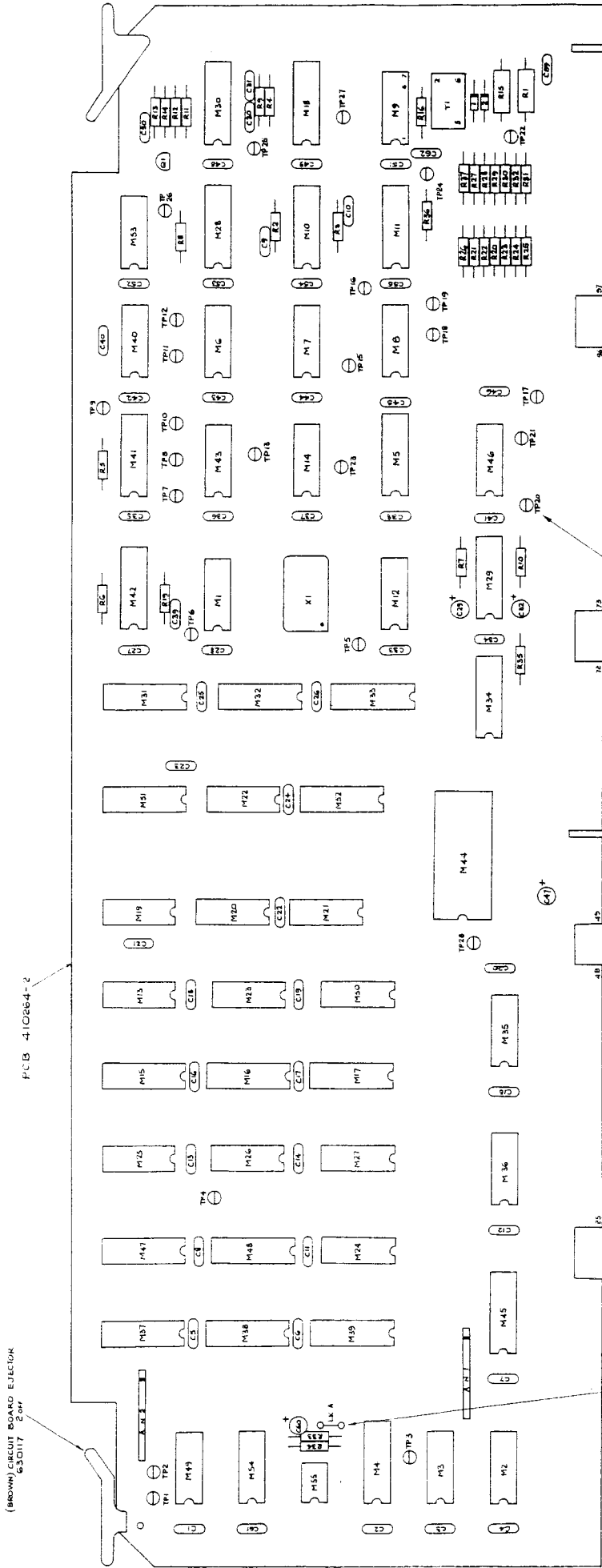
CONT. FROM SHEET 1

### INPUT DATA LATCHES

CONT. FROM SHEET 1



**ANALOG INTERFACE ASSEMBLY**

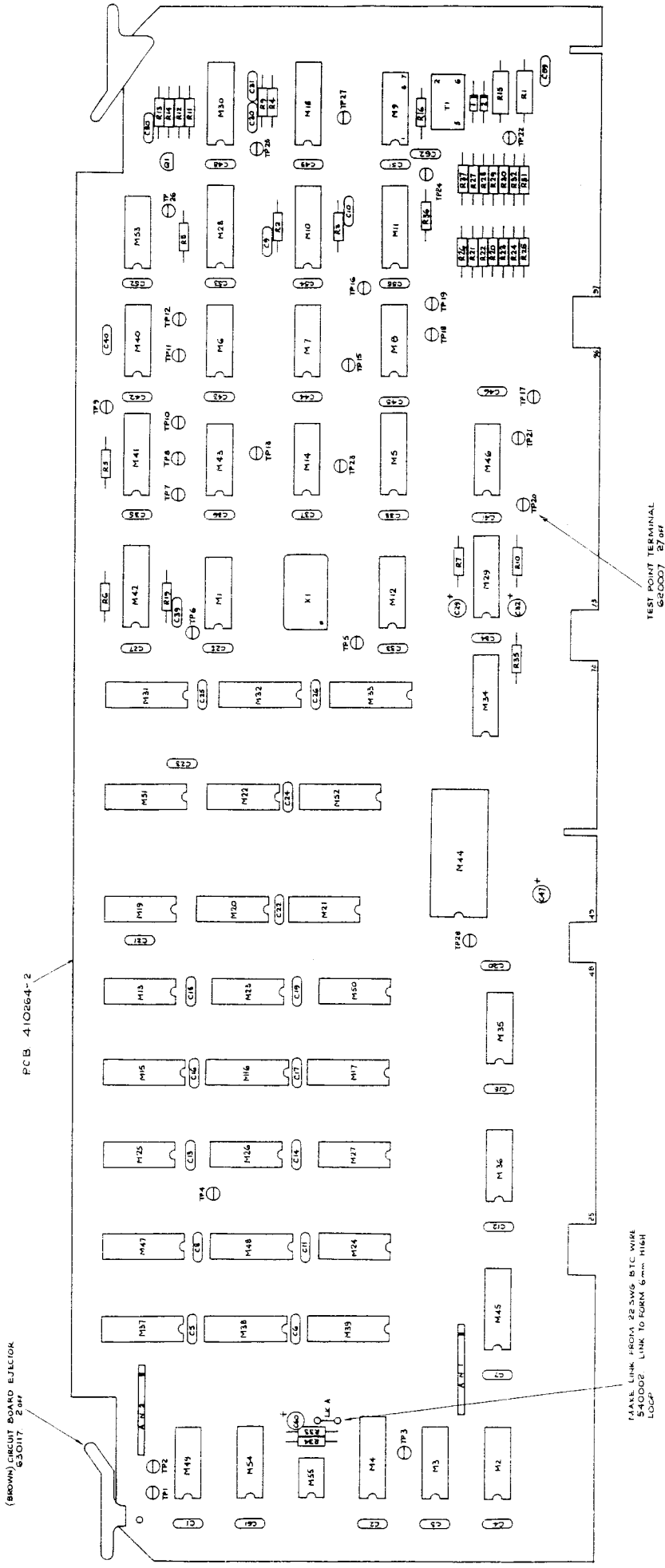


M18 GLASS BEAD 650P43, FITTED TO EACH LEG OF THE FOLLOWING COMPONENTS: C1, C2, C3, C4, C5, C6, C7, C8, C9, C10, C11, C12, C13, C14, C15, C16, C17, C18, C19, C20, C21, C22, C23, C24, C25, C26, C27, C28, C29, C30, C31, C32, C33, C34, C35, C36, C37.

MOUNTING IC'S			
IN-WAYS	PART NO.	USED TO MOUNT	NO. OF
8	605059	55	1
14	605060	1, 3, 6, 9, 12, 14, 19, 27, 35, 40, 43, 46, 49, 50, 53, 54	28
16	605061	4, 5, 15, 16, 17, 20, 31, 34, 37, 39, 41, 42, 45, 47, 48, 51, 52, 10, 11, 18, 25, 28, 30	25
24	605064	44	1



**ANALOG INTERFACE ASSEMBLY**



(BROWN) CIRCUIT BOARD EJECTOR  
650117, 2 SH

22 SWG BTC WIRE  
LINK TO FORM 6mm HIGH  
LOOP

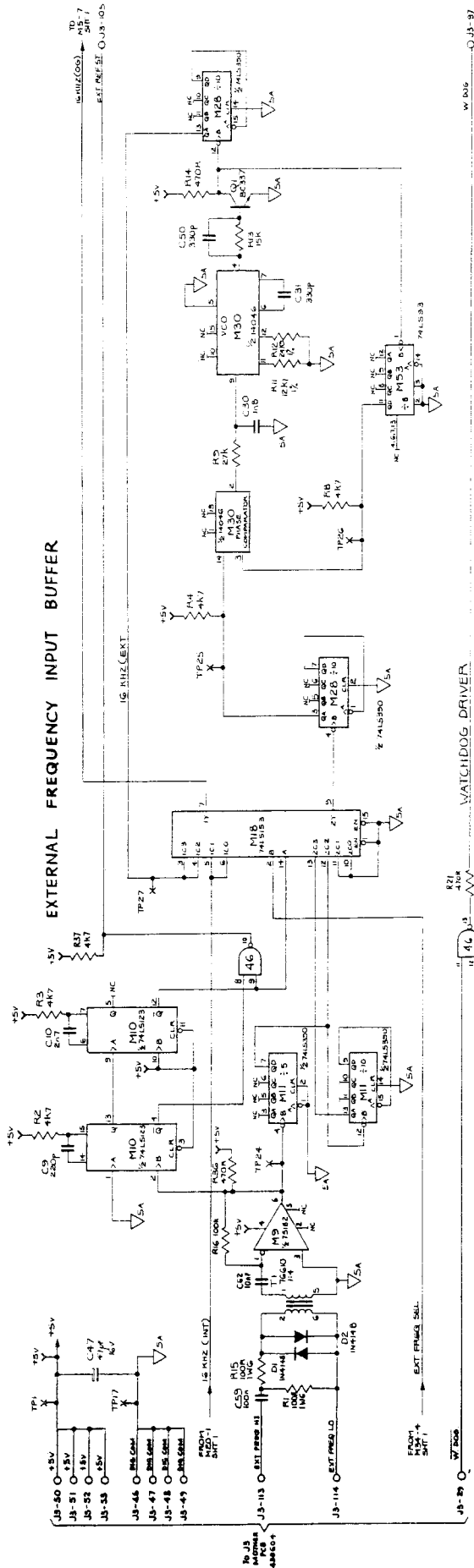
TEST POINT TERMINAL  
GROOVED 87 OH

N.B. GLASS BEAD 630245 FITTED TO EACH LEG  
OF THE FOLLOWING COMPONENTS - C1-C8,  
C11, C12, C13, C14, C16, C17, C18, C19,  
C21, C22, C23, C24, C25, C26, C27, C28, C29

MOUNTING IC's			
REF-WAYS	PART NO	USED TO MOUNT	NO OF
8	605059	55	1
14	605060	1, 3, 6, 9, 12, 14, 19, 27, 35, 36, 40, 43, 46, 49, 50, 53, 54	28
16	605061	4, 5, 15, 16, 17, 23, 31, 34, 37, 39, 41, 42, 45, 47, 48, 51, 52, 10, 11, 18	25
24	605064	44	1



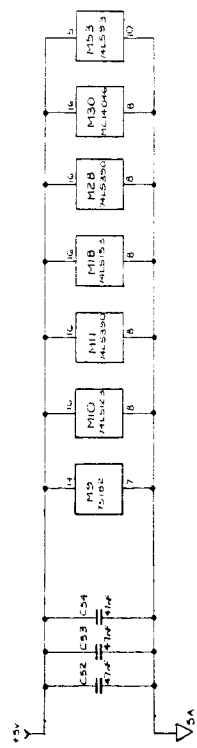
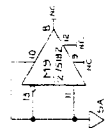
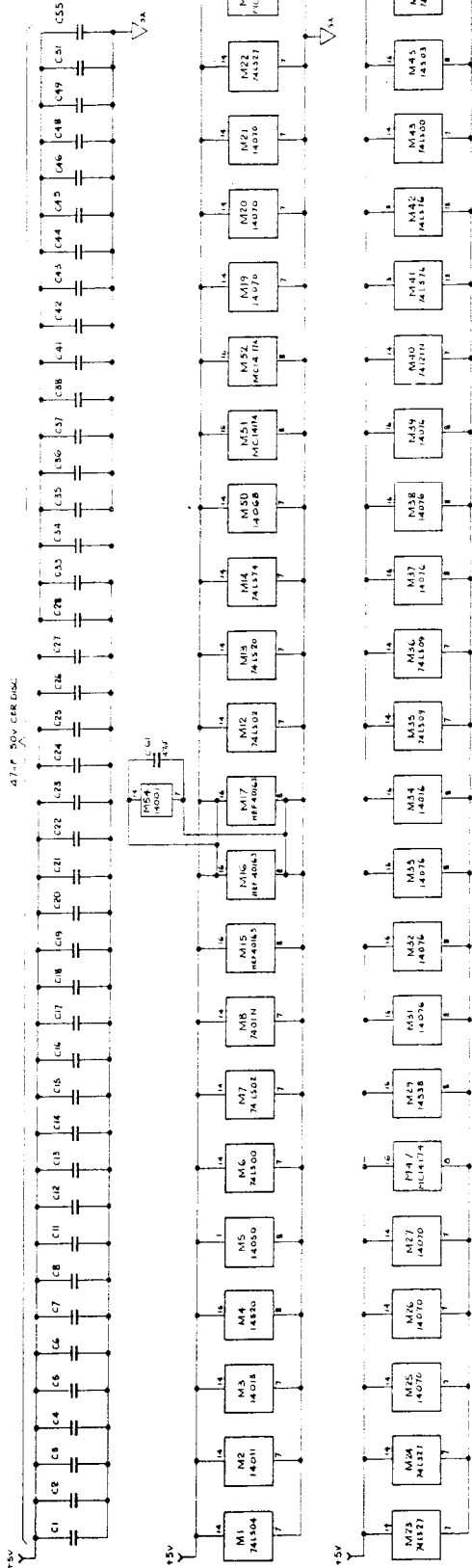
**EXTERNAL FREQUENCY INPUT BUFFER**



**WATCHDOG DRIVER**



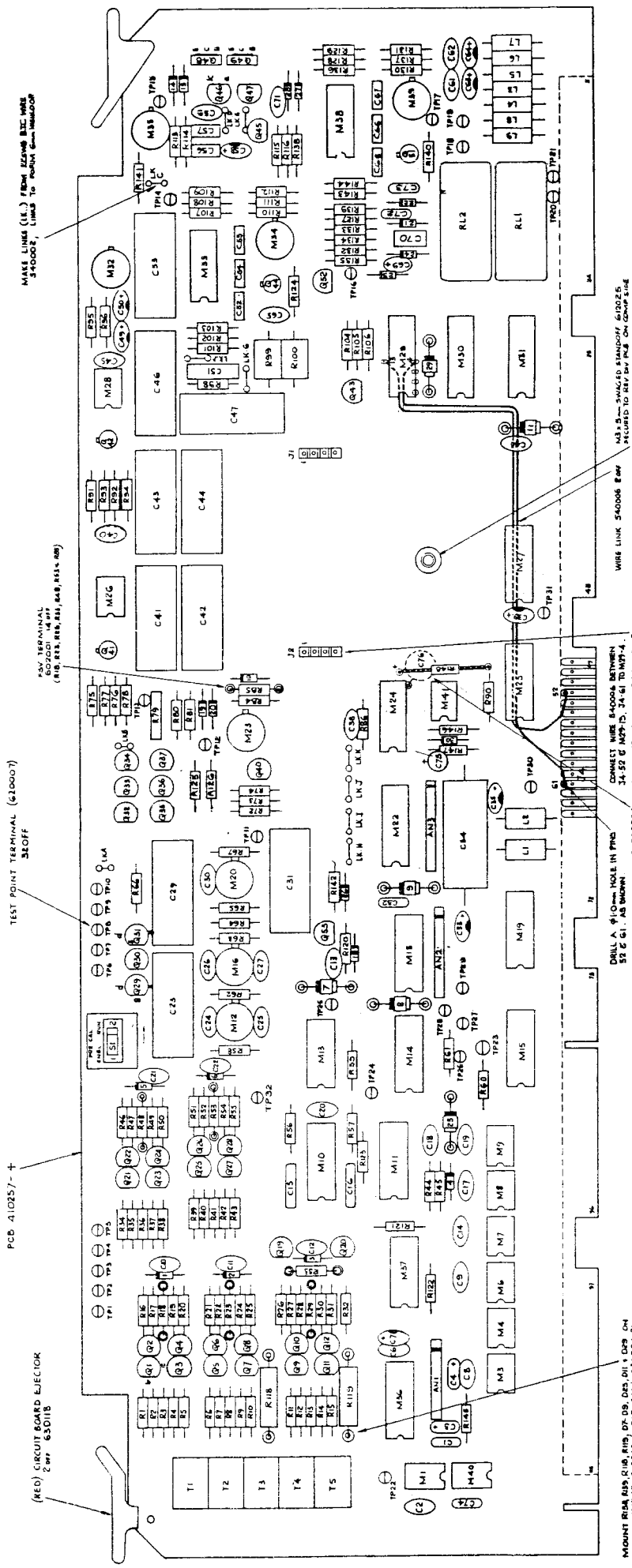
**47.7 50V CERAMIC**



**ANALOG INTERFACE ASSEMBLY**  
Watchdog Driver and I/C Power Supplies

Circuit Diagram No. 430648-1.2 Sheet 4

# REFERENCE DIVIDER ASSEMBLY



TEST POINT TERMINAL (40007)  
3E0FF

PCB 410257-4

(RED) CIRCUIT BOARD EJECTOR  
2WFF 65D115

MAKE LINES (L.L.) FROM BOARD BSC VALUE  
300000, LIND TO POINTS ON BOARD

25V TERMINAL  
NO. 0001-14 2WFF  
(R10, R11, R12, R13, R14, R15, R16, R17, R18)

M3.5 3-WAY 20-PIN SHUNTER 600225  
ATTACHED TO BOARD BY THE CONDUCTIVE

WIRE LINK 540006 2WFF

CONNECT WIRE 540006 BETWEEN  
24-52 OF M3.5 TO 2A-61 TO M3.4.  
4-WAY 1" PCB PLUG GOALR3 2WFF  
SOLDERED INTO MAIN PCB

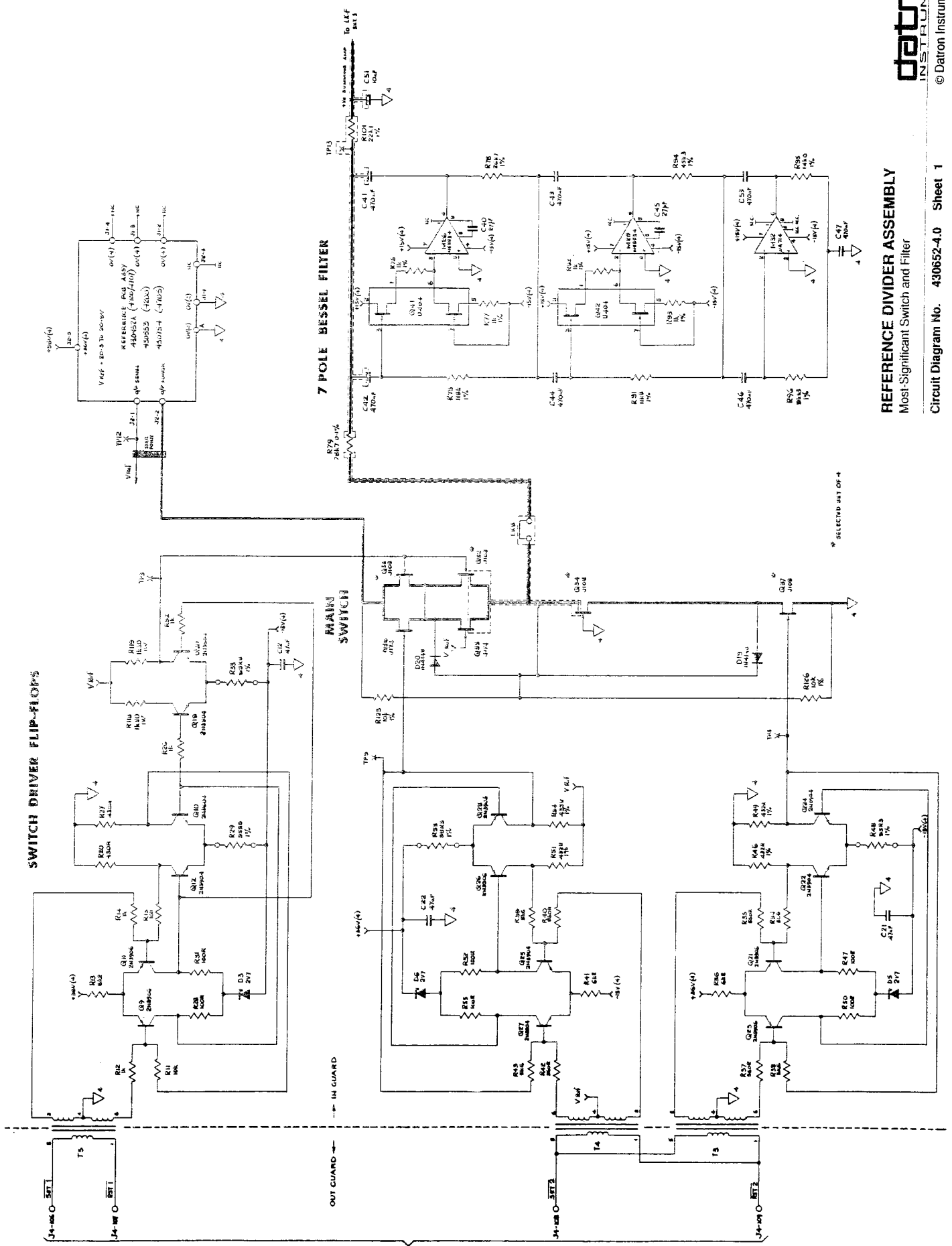
DRILL A 4/10mm HOLE IN PCB  
53 ± .01, AS SHOWN  
BED CN IN SILICONE RUBBER 500004,  
KEEP SILICONE RUBBER AT LEAST  
215VPS. PLUG FROM 550004 4 WIRE  
CUT THROUGH HOLE AND  
UNDER RING PORTION.

MOUNT RIBS R19, R18, R19, 07-09, DES. DIL 1 D28 ON  
INSULATING BEAD (1 PWR LEAD), 610024 2WFF

- MOUNTING I.C.**  
 FIT M13, M24, M18, M17, M18  
 ON 4-WAY DIL SOCKET 603053 II 2WFF  
 FIT M13, M24, M18, M17, M18  
 ON 4-WAY DIL SOCKET 603053 II 2WFF  
 FIT M10, M11, M14, M15, M16, M19, M22, M23, M27  
 ON 4-WAY DIL SOCKET 603053 II 2WFF  
 FIT M13, M24, M18, M17, M18  
 ON 4-WAY DIL SOCKET 603053 II 2WFF

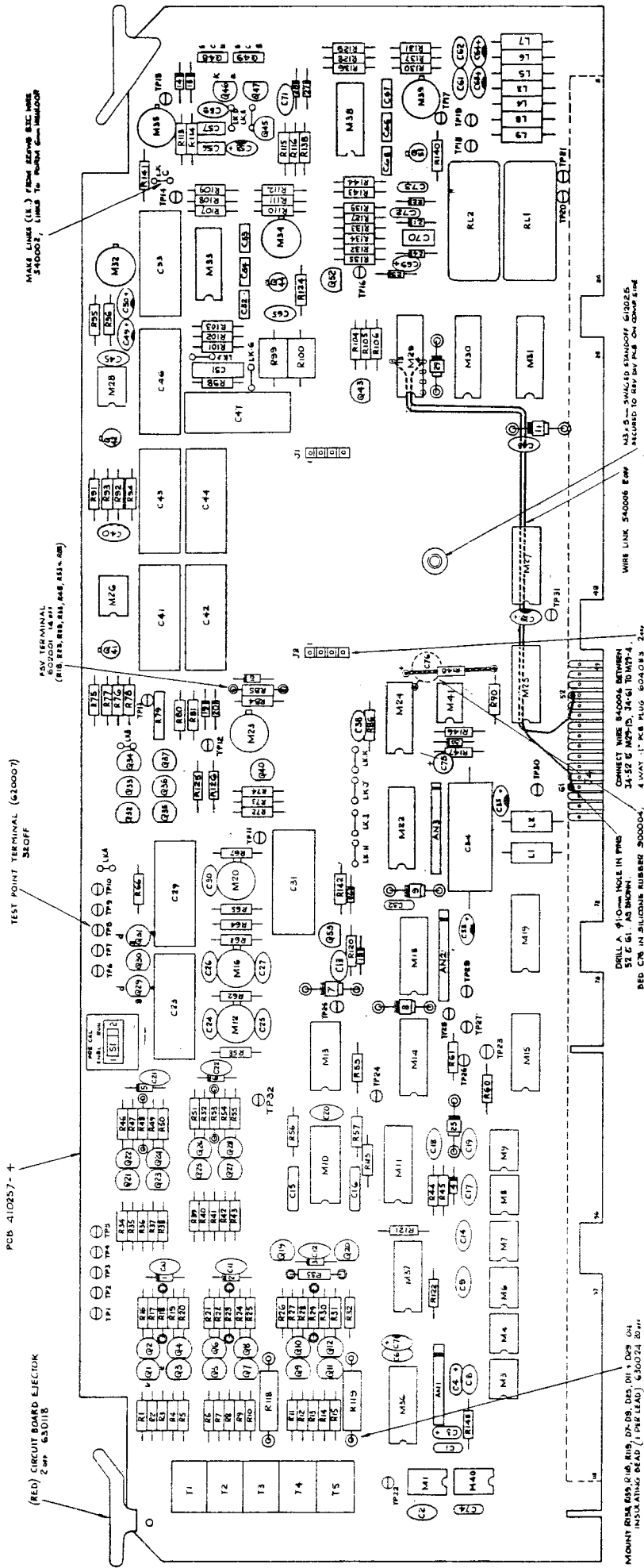
**REFERENCE DIVIDER ASSEMBLY**  
 Most-Significant Switch and Filter

Circuit Diagram No. 430652-4.0 Sheet 1



TO 74 MATHE PCB 430652

REFERENCE DIVIDER ASSEMBLY



TEST POINT TERMINAL (630007) SMOFF

PCB-410257-4

(RED) CIRCUIT BOARD EJECTOR 2 WY. 630118

WIRE LINK 5-0006 2 WY.

M37.5 - SWAGED STANDOFF 630025

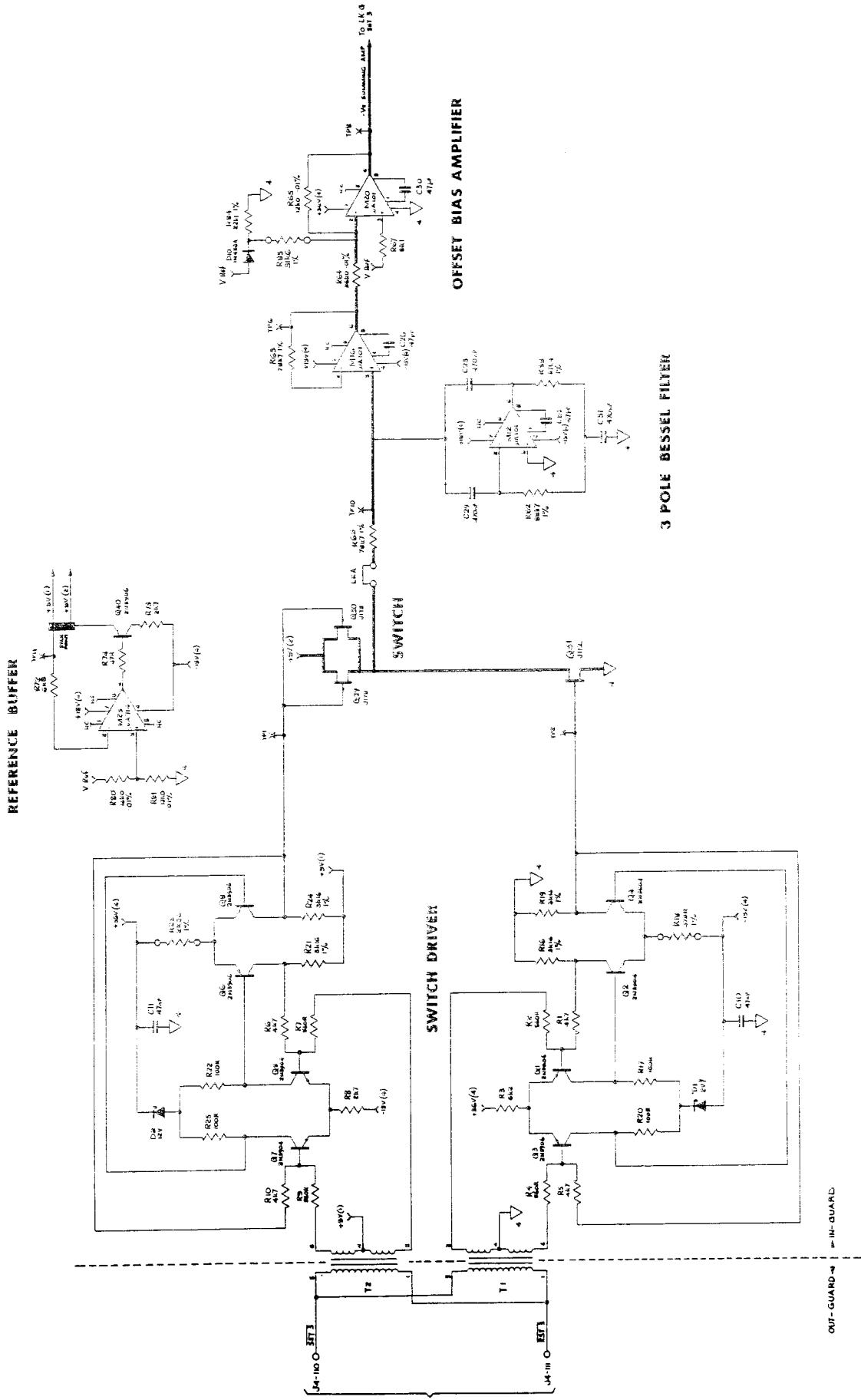
RECORD TO REV BY PLE ON DRAWING

CONNECT WIRE 5-0006 BETWEEN 14.52 & 14.57 TO M17-4. 4 WAY 1" PCB PLUG 604083 2 WY. SOLDERED INTO MAIN PCB

DRILL A 1/16" HOLE IN PTHS 53 & 61 AS SHOWN. SOLDER RUBBER 500004. KEEP SOLDERING IRON AWAY FROM SOLDER. RUBBER AWAY FROM SOLDER. RUBBER AWAY FROM SOLDER. RUBBER AWAY FROM SOLDER. CUT TRACKS ABOVE EDGE OF BOARD UNDER RUBBER PORTION.

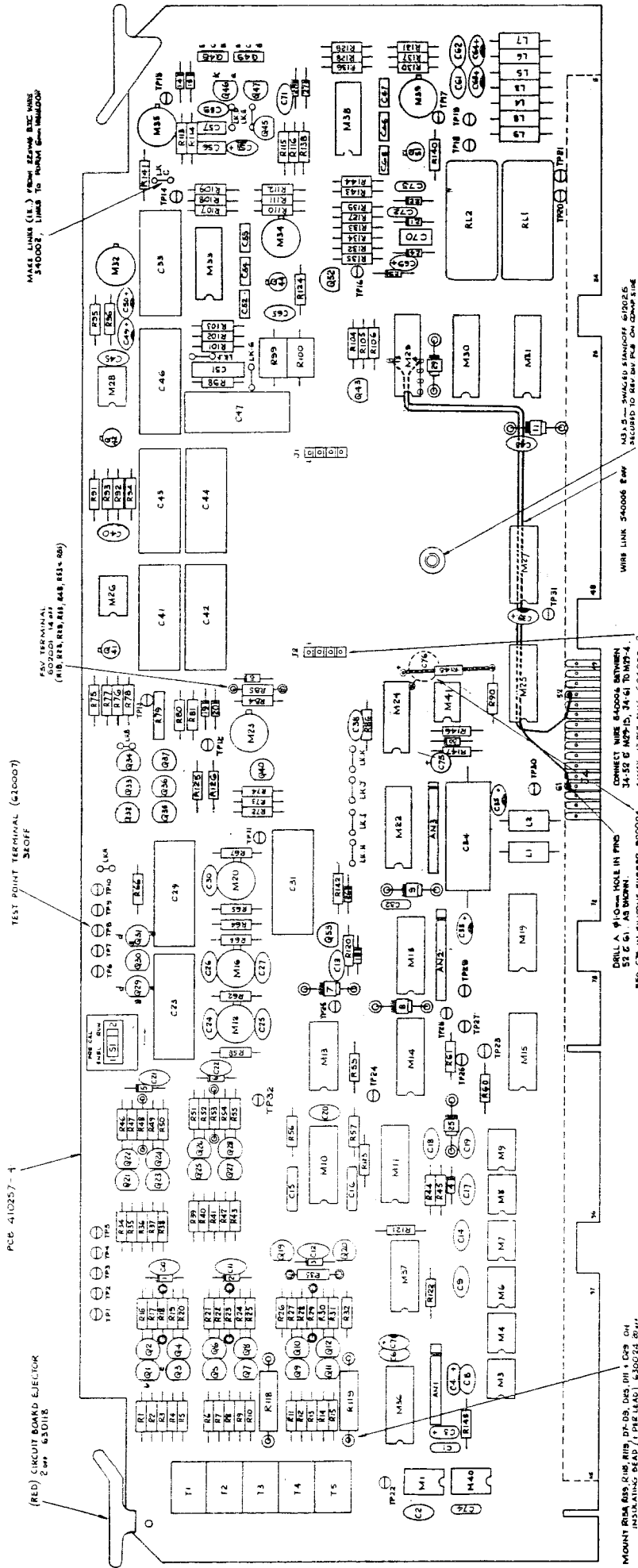
MOUNTING I.C.s

FIT M1-M14, M16-M19, M21-M24, M26, M27, M28, M29, M30, M31, M32, M33, M34, M35, M36, M37, M38, M39, M40, M41, M42, M43, M44, M45, M46, M47, M48, M49, M50, M51, M52, M53, M54, M55, M56, M57, M58, M59, M60, M61, M62, M63, M64, M65, M66, M67, M68, M69, M70, M71, M72, M73, M74, M75, M76, M77, M78, M79, M80, M81, M82, M83, M84, M85, M86, M87, M88, M89, M90, M91, M92, M93, M94, M95, M96, M97, M98, M99, M100, M101, M102, M103, M104, M105, M106, M107, M108, M109, M110, M111, M112, M113, M114, M115, M116, M117, M118, M119, M120, M121, M122, M123, M124, M125, M126, M127, M128, M129, M130, M131, M132, M133, M134, M135, M136, M137, M138, M139, M140, M141, M142, M143, M144, M145, M146, M147, M148, M149, M150, M151, M152, M153, M154, M155, M156, M157, M158, M159, M160, M161, M162, M163, M164, M165, M166, M167, M168, M169, M170, M171, M172, M173, M174, M175, M176, M177, M178, M179, M180, M181, M182, M183, M184, M185, M186, M187, M188, M189, M190, M191, M192, M193, M194, M195, M196, M197, M198, M199, M200, M201, M202, M203, M204, M205, M206, M207, M208, M209, M210, M211, M212, M213, M214, M215, M216, M217, M218, M219, M220, M221, M222, M223, M224, M225, M226, M227, M228, M229, M230, M231, M232, M233, M234, M235, M236, M237, M238, M239, M240, M241, M242, M243, M244, M245, M246, M247, M248, M249, M250, M251, M252, M253, M254, M255, M256, M257, M258, M259, M260, M261, M262, M263, M264, M265, M266, M267, M268, M269, M270, M271, M272, M273, M274, M275, M276, M277, M278, M279, M280, M281, M282, M283, M284, M285, M286, M287, M288, M289, M290, M291, M292, M293, M294, M295, M296, M297, M298, M299, M300, M301, M302, M303, M304, M305, M306, M307, M308, M309, M310, M311, M312, M313, M314, M315, M316, M317, M318, M319, M320, M321, M322, M323, M324, M325, M326, M327, M328, M329, M330, M331, M332, M333, M334, M335, M336, M337, M338, M339, M340, M341, M342, M343, M344, M345, M346, M347, M348, M349, M350, M351, M352, M353, M354, M355, M356, M357, M358, M359, M360, M361, M362, M363, M364, M365, M366, M367, M368, M369, M370, M371, M372, M373, M374, M375, M376, M377, M378, M379, M380, M381, M382, M383, M384, M385, M386, M387, M388, M389, M390, M391, M392, M393, M394, M395, M396, M397, M398, M399, M400, M401, M402, M403, M404, M405, M406, M407, M408, M409, M410, M411, M412, M413, M414, M415, M416, M417, M418, M419, M420, M421, M422, M423, M424, M425, M426, M427, M428, M429, M430, M431, M432, M433, M434, M435, M436, M437, M438, M439, M440, M441, M442, M443, M444, M445, M446, M447, M448, M449, M450, M451, M452, M453, M454, M455, M456, M457, M458, M459, M460, M461, M462, M463, M464, M465, M466, M467, M468, M469, M470, M471, M472, M473, M474, M475, M476, M477, M478, M479, M480, M481, M482, M483, M484, M485, M486, M487, M488, M489, M490, M491, M492, M493, M494, M495, M496, M497, M498, M499, M500, M501, M502, M503, M504, M505, M506, M507, M508, M509, M510, M511, M512, M513, M514, M515, M516, M517, M518, M519, M520, M521, M522, M523, M524, M525, M526, M527, M528, M529, M530, M531, M532, M533, M534, M535, M536, M537, M538, M539, M540, M541, M542, M543, M544, M545, M546, M547, M548, M549, M550, M551, M552, M553, M554, M555, M556, M557, M558, M559, M560, M561, M562, M563, M564, M565, M566, M567, M568, M569, M570, M571, M572, M573, M574, M575, M576, M577, M578, M579, M580, M581, M582, M583, M584, M585, M586, M587, M588, M589, M590, M591, M592, M593, M594, M595, M596, M597, M598, M599, M600, M601, M602, M603, M604, M605, M606, M607, M608, M609, M610, M611, M612, M613, M614, M615, M616, M617, M618, M619, M620, M621, M622, M623, M624, M625, M626, M627, M628, M629, M630, M631, M632, M633, M634, M635, M636, M637, M638, M639, M640, M641, M642, M643, M644, M645, M646, M647, M648, M649, M650, M651, M652, M653, M654, M655, M656, M657, M658, M659, M660, M661, M662, M663, M664, M665, M666, M667, M668, M669, M670, M671, M672, M673, M674, M675, M676, M677, M678, M679, M680, M681, M682, M683, M684, M685, M686, M687, M688, M689, M690, M691, M692, M693, M694, M695, M696, M697, M698, M699, M700, M701, M702, M703, M704, M705, M706, M707, M708, M709, M710, M711, M712, M713, M714, M715, M716, M717, M718, M719, M720, M721, M722, M723, M724, M725, M726, M727, M728, M729, M730, M731, M732, M733, M734, M735, M736, M737, M738, M739, M740, M741, M742, M743, M744, M745, M746, M747, M748, M749, M750, M751, M752, M753, M754, M755, M756, M757, M758, M759, M760, M761, M762, M763, M764, M765, M766, M767, M768, M769, M770, M771, M772, M773, M774, M775, M776, M777, M778, M779, M780, M781, M782, M783, M784, M785, M786, M787, M788, M789, M790, M791, M792, M793, M794, M795, M796, M797, M798, M799, M800, M801, M802, M803, M804, M805, M806, M807, M808, M809, M810, M811, M812, M813, M814, M815, M816, M817, M818, M819, M820, M821, M822, M823, M824, M825, M826, M827, M828, M829, M830, M831, M832, M833, M834, M835, M836, M837, M838, M839, M840, M841, M842, M843, M844, M845, M846, M847, M848, M849, M850, M851, M852, M853, M854, M855, M856, M857, M858, M859, M860, M861, M862, M863, M864, M865, M866, M867, M868, M869, M870, M871, M872, M873, M874, M875, M876, M877, M878, M879, M880, M881, M882, M883, M884, M885, M886, M887, M888, M889, M890, M891, M892, M893, M894, M895, M896, M897, M898, M899, M900, M901, M902, M903, M904, M905, M906, M907, M908, M909, M910, M911, M912, M913, M914, M915, M916, M917, M918, M919, M920, M921, M922, M923, M924, M925, M926, M927, M928, M929, M930, M931, M932, M933, M934, M935, M936, M937, M938, M939, M940, M941, M942, M943, M944, M945, M946, M947, M948, M949, M950, M951, M952, M953, M954, M955, M956, M957, M958, M959, M960, M961, M962, M963, M964, M965, M966, M967, M968, M969, M970, M971, M972, M973, M974, M975, M976, M977, M978, M979, M980, M981, M982, M983, M984, M985, M986, M987, M988, M989, M990, M991, M992, M993, M994, M995, M996, M997, M998, M999, M1000.



**REFERENCE DIVIDER ASSEMBLY**  
 Least-Significant Switch and Filter  
 Circuit Diagram No. 430652-4.0 Sheet 2

**REFERENCE DIVIDER ASSEMBLY**



TEST POINT TERMINAL (610007)  
3K OFF

PCB 410257-4

MOUNTING I.C.  
FIT M1-M4, M6-M9, M10-M24, M28, M31-  
ON 5-WAY DIL SOCKET 605053 11 119  
FIT M15, M24, M35, M37, M38  
ON 4-WAY DIL SOCKET 605050 5 119  
FIT M10, M11, M14, M15, M18, M19, M22, M23, 1-37  
ON 4-WAY DIL SOCKET 605050 13 119

WIRE LINK 540008 ROW

DIRECT WIRE 540004 BETWEEN  
14-32 G INPT'S, 34-61 TO INT-4,  
4-61 TO INT-3, 2-61 TO INT-2

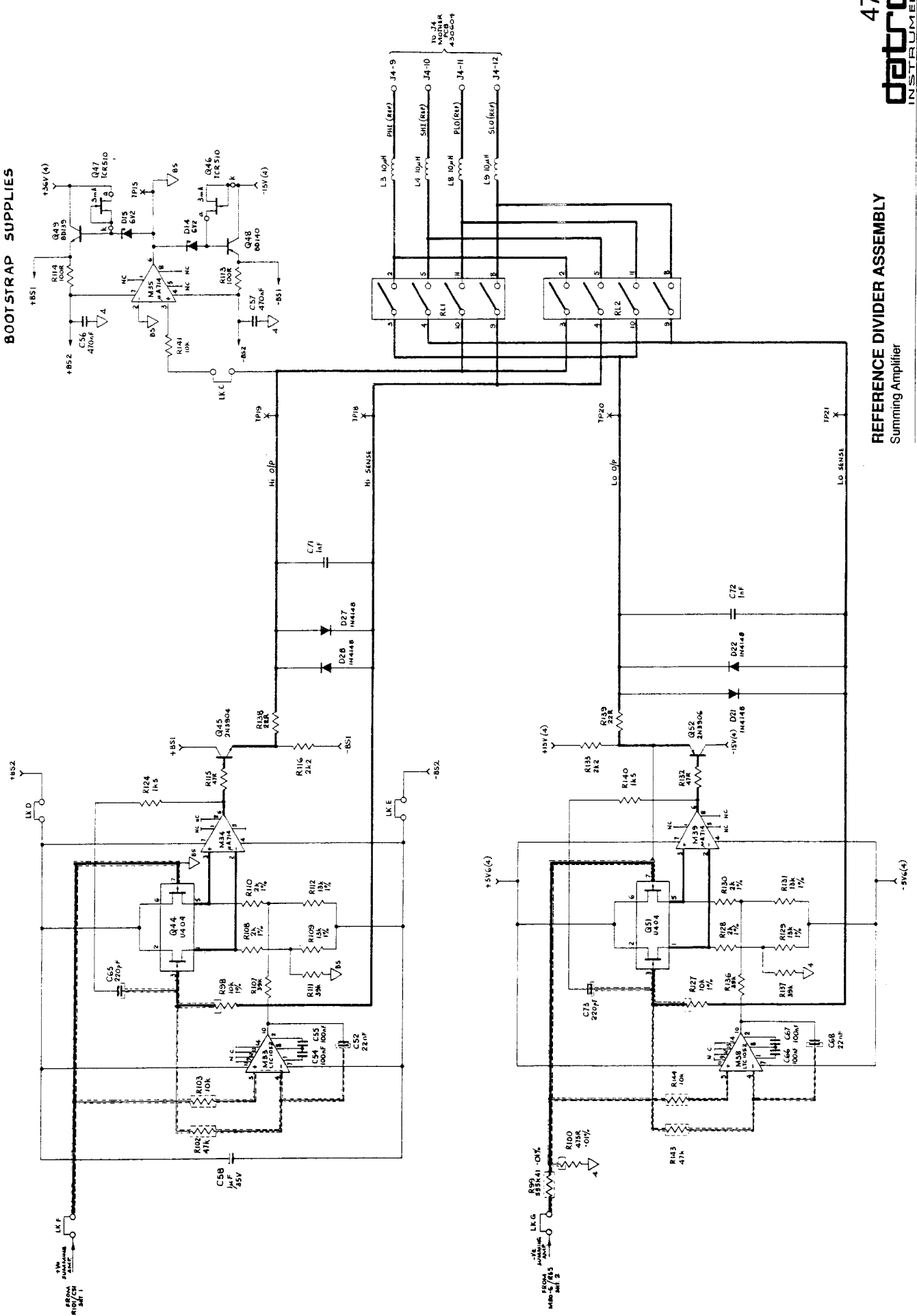
DRILL A .910mm HOLE IN PWB  
REG. CTS IN SILICON RUBBER 300004,  
KEEP SILICON RUBBER AWAY FROM  
IC LEADS (SOLDER SIDE OF BOARD)  
LEAD WARDING RED 250007 4 WIRE  
SOLDER CONNECTION  
SHOULDER (FROM CONTINUED)

M31,5 - 3WAGLE STANDOFF 610026  
SECURED TO REV BY PWB ON COMPASS

20 21 22 23 24 25

31 32 33 34 35 36 37 38 39 40 41 42 43 44 45 46 47 48 49 50 51 52 53 54 55 56 57 58 59 60 61 62 63 64 65 66 67 68 69 70 71 72 73 74 75 76 77 78 79 80 81 82 83 84 85 86 87 88 89 90 91 92 93 94 95 96 97 98 99 100

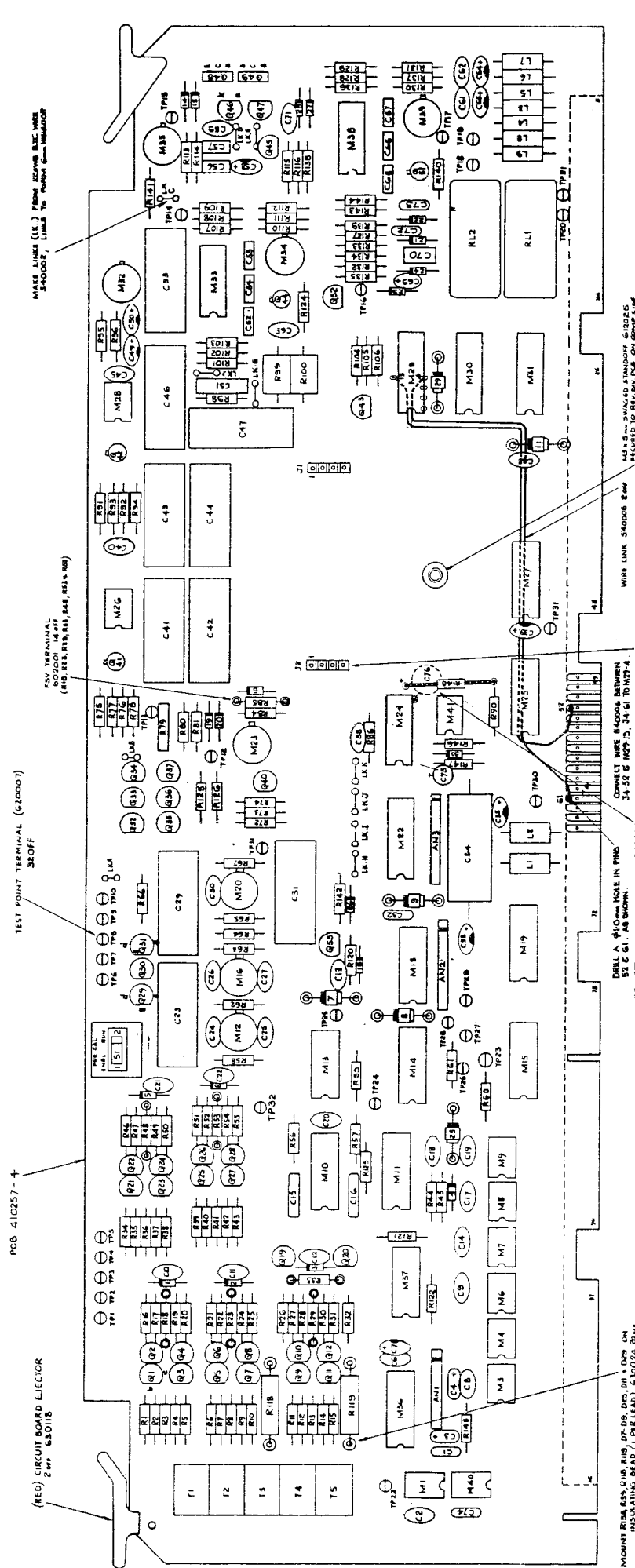
**BOOTSTRAP SUPPLIES**



**REFERENCE DIVIDER ASSEMBLY**  
Summing Amplifier

Circuit Diagram No. 430652-4.0 Sheet 3

**REFERENCE DIVIDER ASSEMBLY**



TEST POINT TERMINAL (420007)  
350FF

PCB 410257-4

(RED) CIRCUIT BOARD EJECTOR  
2 WY 630118

MAKE LINES (I.E.) FROM 82008 BIC WIRE  
#40006, LINK TO POINT C-1000000

F5V TERMINAL  
630001 14 8FF  
(R1, R2, R3, M1, R4, R5, R6)

WIRE LINK #40006 2 WY  
M3-5 - 3WAY/4D STANDOFF 63025  
SECURED TO REV.DV PCB ON COMP SIDE

CONNECT WIRE #40006 BETWEEN  
J4-52 & M27-15, J4-61 TO M27-4  
4 WAY 1" PCB PLUG 604038 2 WY  
SOLDERED INTO MAIN PCB

DRILL A .110mm HOLE IN PWB  
52 & 61, AS SHOWN.  
DES. CR IN SILICONE RUBBER 200004,  
1.5mm DIA. HOLE. 1.5mm DIA. HOLE.  
SLEEVE RING/LEAD 850004 4 WY/8P  
CUT TRACK ON COMP SIDE OF BOARD  
UNDER R-46 POSITION.

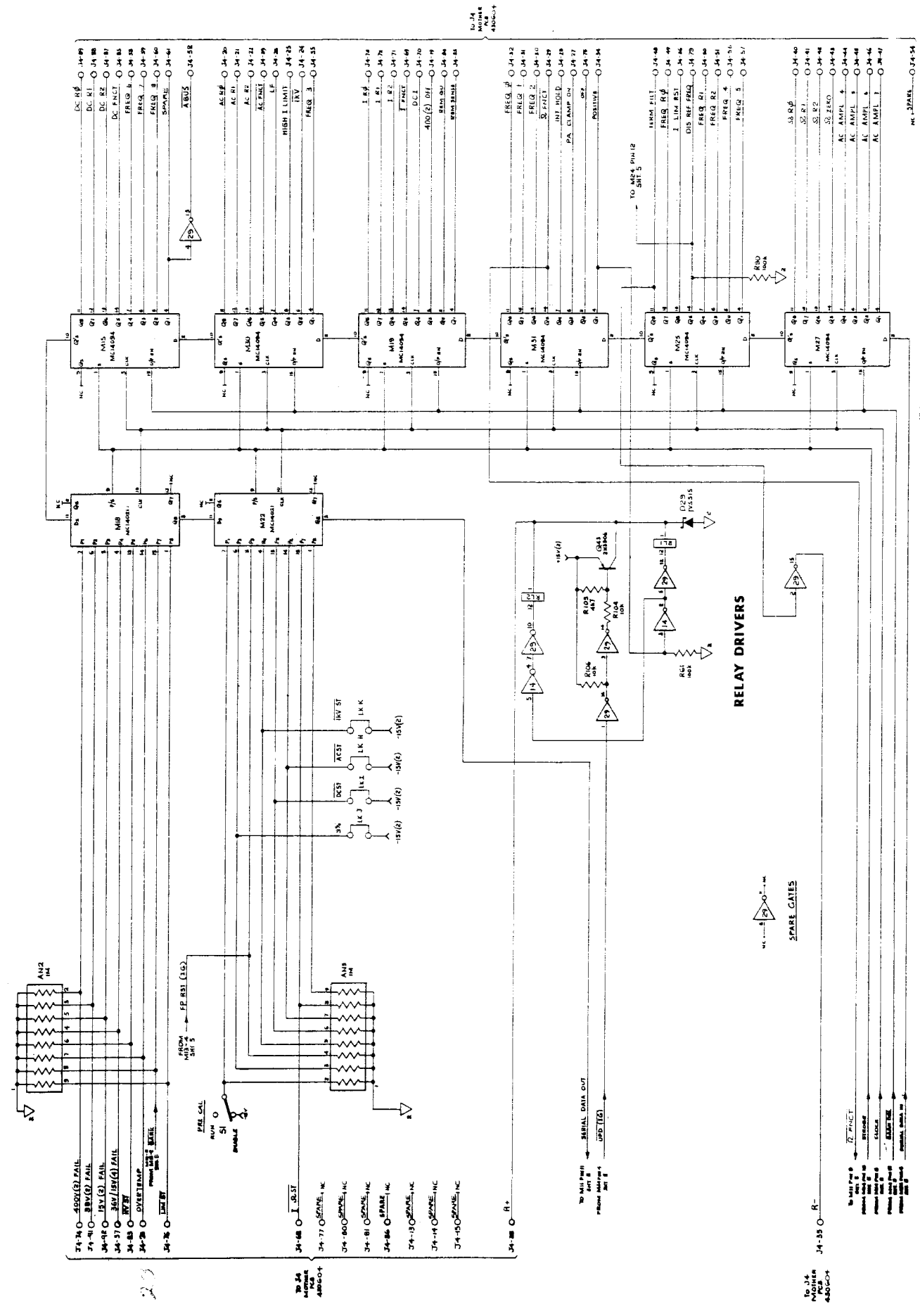
MOUNT R18, R19, R19, R19, R19, R19 ON  
INSULATING BEAD (1 IN LEAD) 630024 20 WY

- MOUNTING I.C.s**
- FIT M1, M14, M2, M3, M4, M5, M6, M7, M8, M9, M10, M11, M12, M13, M14, M15, M16, M17, M18, M19, M20, M21, M22, M23, M24
  - ON 8 WAY DIL SOCKET 603059 11 8FF
  - FIT M13, M24, M33, M37, M38
  - ON 14 WAY DIL SOCKET 605060 3 8FF
  - FIT M10, M11, M14, M15, M16, M17, M18, M19, M20, M21, M22, M23, M24
  - ON 16 WAY DIL SOCKET 605061 12 8FF



**REFERENCE DIVIDER ASSEMBLY**  
 Serial / Parallel Data Converter

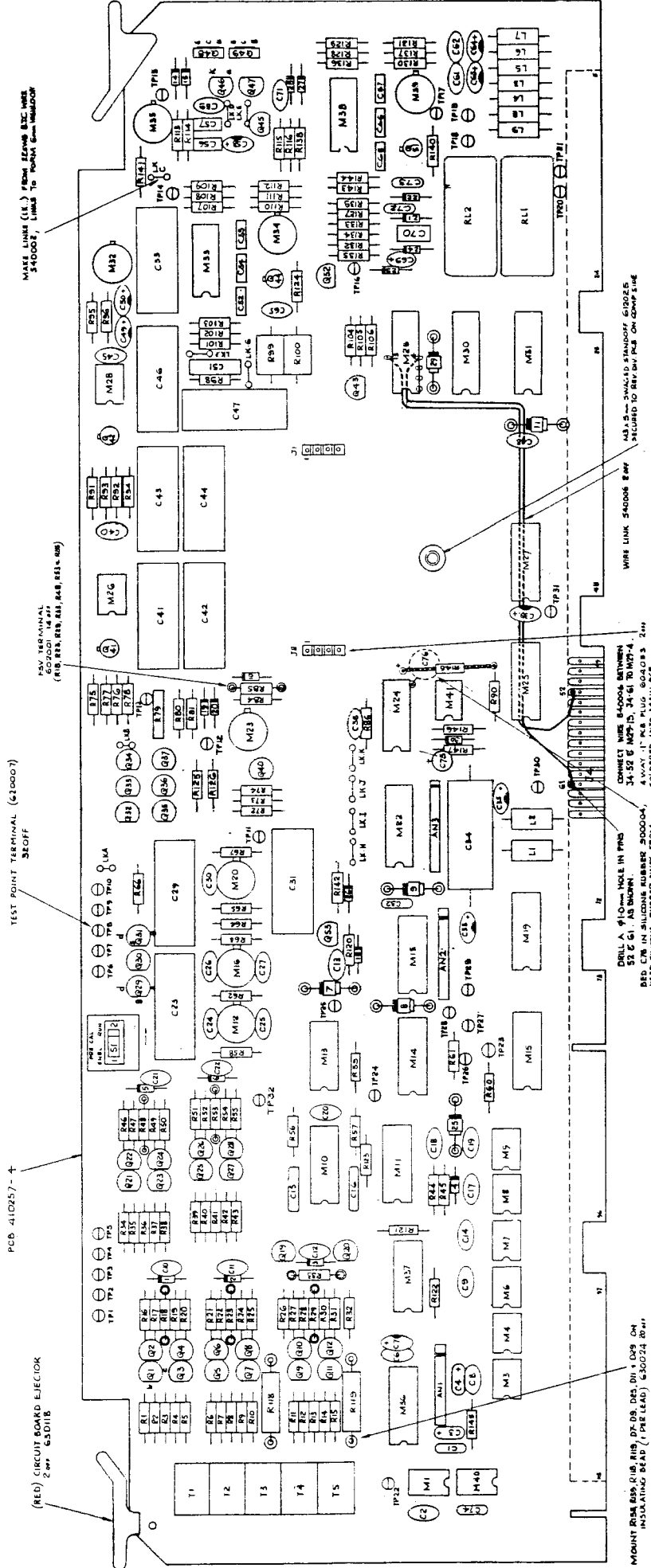
Circuit Diagram No. 430652-4.0 Sheet 4



**REFERENCE DIVIDER ASSEMBLY**  
 Serial / Parallel Data Converter

Circuit Diagram No. 430652-4.0 Sheet 4

REFERENCE DIVIDER ASSEMBLY



TEST POINT TERMINAL (620007)  
3500FF

NEW TERMINAL  
605001 14 017  
(RIB, R28, R19, R41, R48, R51 & 509)

PCB 410257-4

(RED) CIRCUIT BOARD ELEC.  
2 017 630118

MAKE LINKS (I.E.) FROM LEADS ETC. WIRE  
540002, LINKS TO POINTS ON BOARD

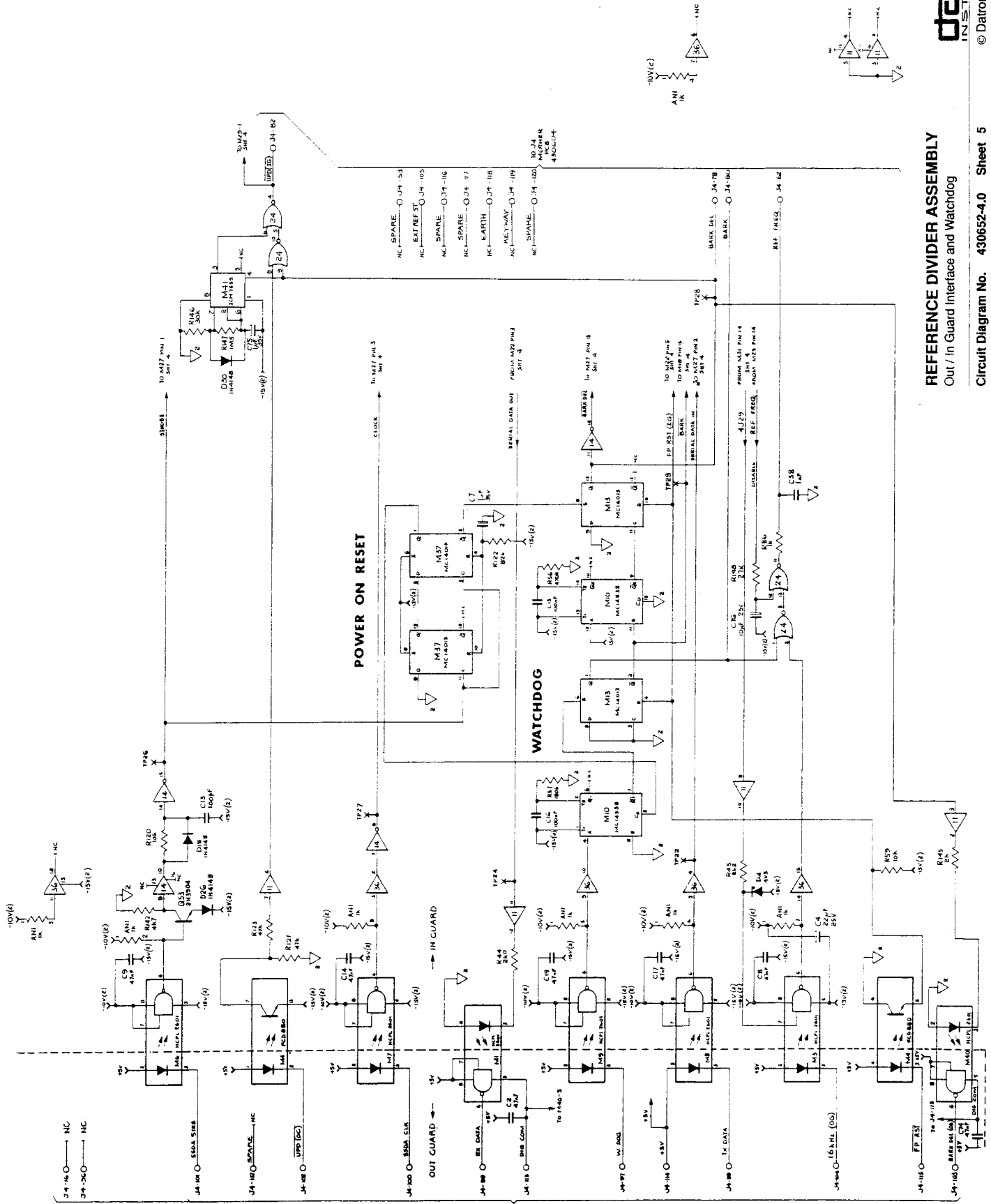
MOUNTING I.C.  
FIT M1, M14, M6, M9, M40, M28, M38, M41  
ON 8-WAY DIL SOCKET 605059 11 017  
FIT M15, M28, M38, M47, M58  
ON 14-WAY DIL SOCKET 605060 5 017  
FIT M40, M41, M44, M45,  
M49, M50, M51, M54,  
M59, M19, M22, M23, M27  
ON 16-WAY DIL SOCKET 605061 13 017

DRILL A  $\phi$ 10mm HOLE IN PCB  
BED CN IN SILICONE RUBBER 500004,  
34-52 & M9-15, 34-61 TO M9-4,  
4-WAY, 1" PCB PLUG 605055 2 017  
I.E. L.S. (CHECK SIZE OF SOCKET)  
SILICONE RUBBER 500004 4 WRAP  
CUT TRACK ON COMP SIDE OF BOARD  
UNDER THIS POSITION.

CONNECT WIRE 540006 BETWEEN  
34-52 & M9-15, 34-61 TO M9-4,  
4-WAY, 1" PCB PLUG 605055 2 017  
SOLDERED INTO MAIN PCB

WIRE LINK 540006 8 017  
M31, 5-THREADED STANOFF 500025,  
SECURED TO REV. BY WIRE ON COMP SIDE

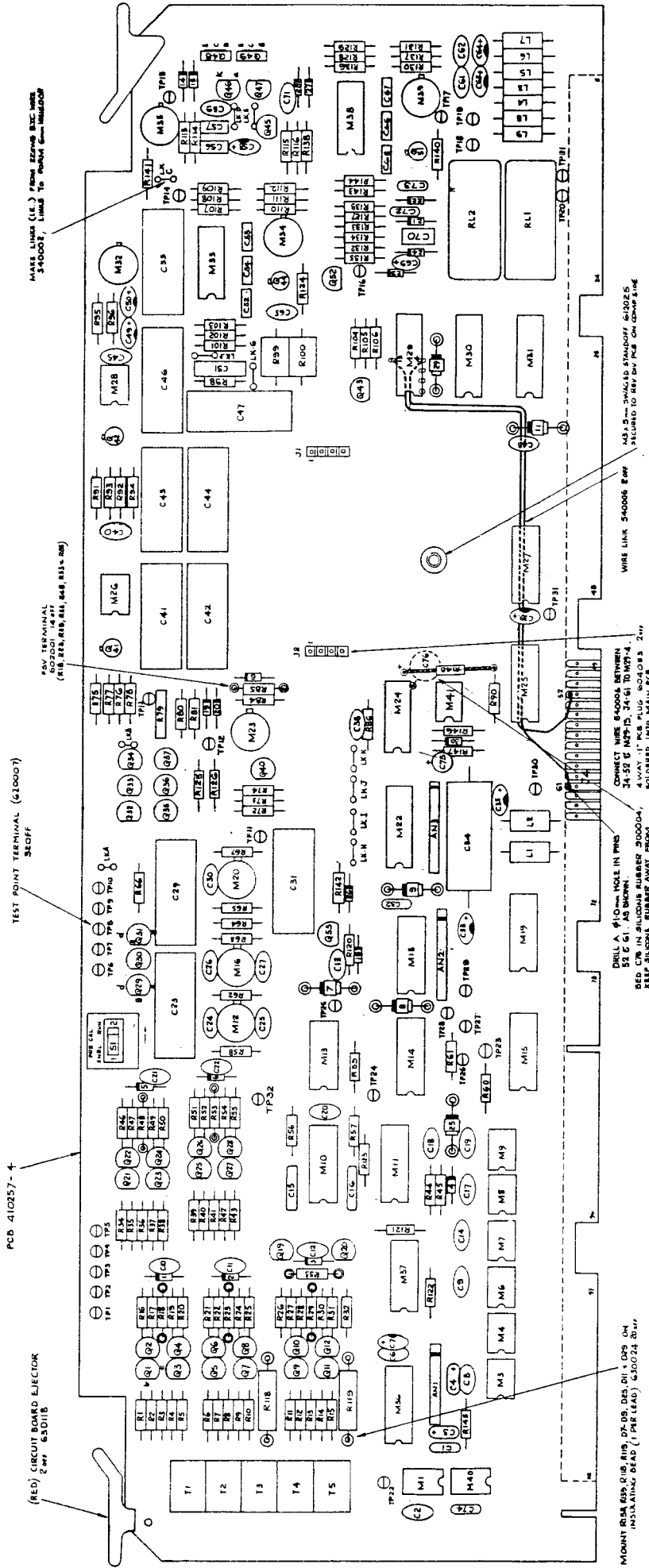
INSULATING BEAD (1 PER LEAD) 630024 20 017



REFERENCE DIVIDER ASSEMBLY  
Out / In Guard Interface and Watchdog

Circuit Diagram No. 430652-4.0 Sheet 5

**REFERENCE DIVIDER ASSEMBLY**

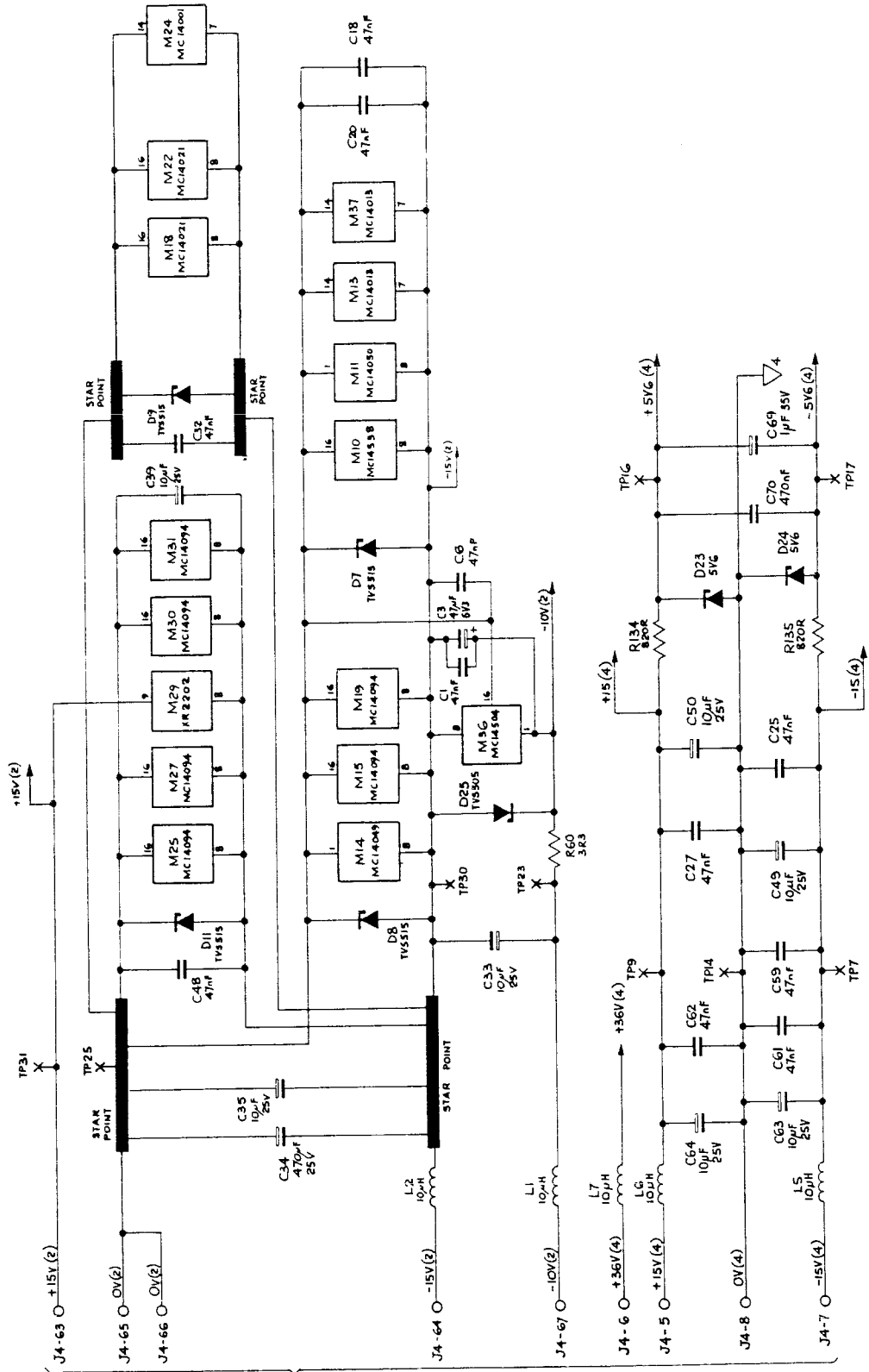


DRILL A .910mm HOLE IN PINS  
52 & 61. AS SHOWN.

RES. TO BE MOUNTED NEARBY. GUIDES  
REQUIRED TO MOUNT PCB ON COMPONENT

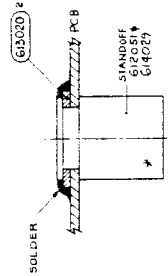
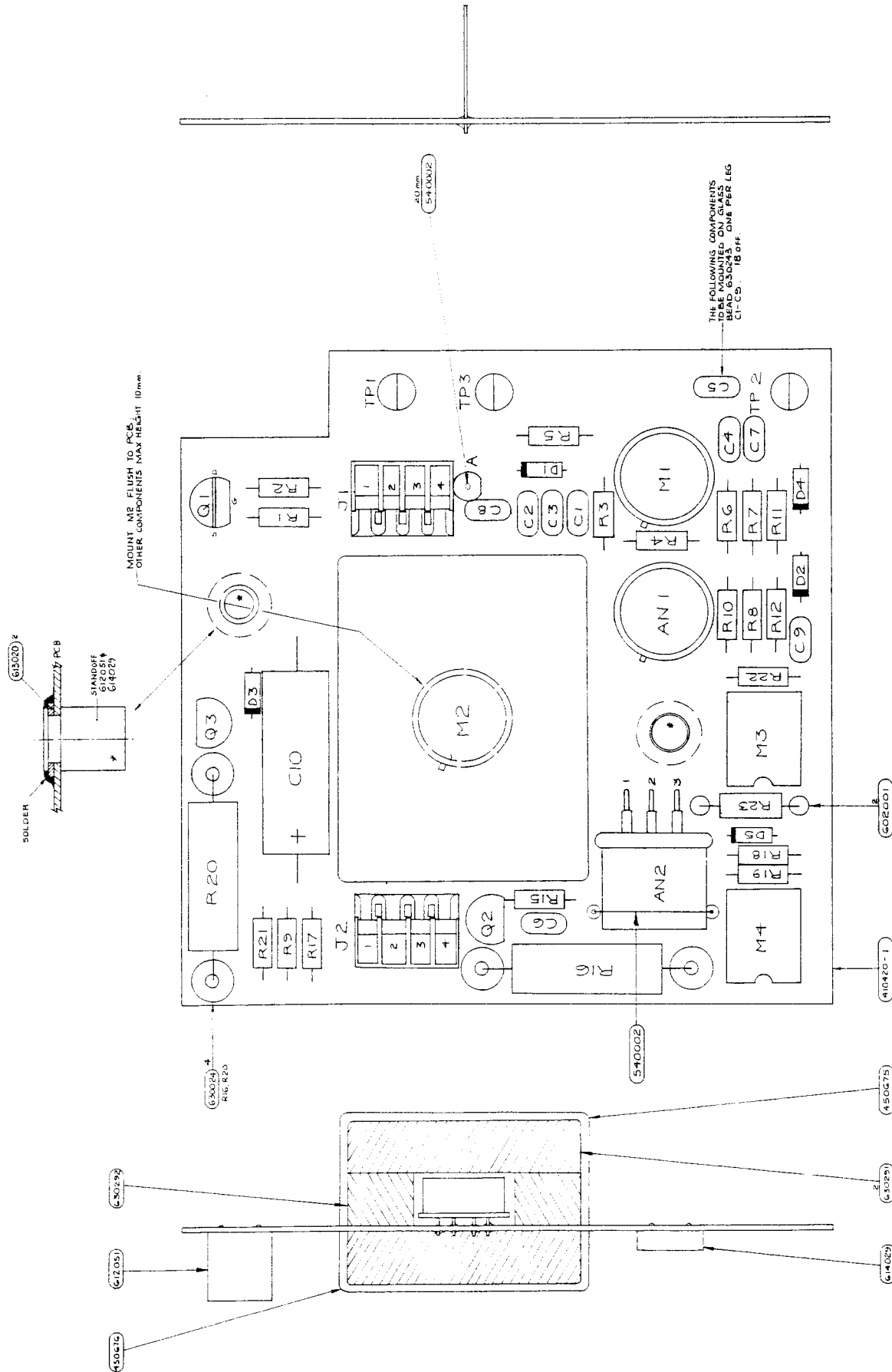
KEEP ALL OTHER COMPONENTS FROM  
I.C. LEADS (SOLDER WEDGES OF BOARD)  
LEAD WELDING RES. 530004-4 WIRAP  
CUT TRACES ON COMP. SIDE OF BOARD  
UNDER THIS POSITION.

MOUNTING I.C.s  
FIT WITH M41, M42, M43, M44, M45, M46, M47, M48, M49, M50  
ON 8-PIN DIL SOCKET 605053 II 499  
FIT M15, M16, M17, M18, M19, M20, M21, M22, M23, M24, M25, M26, M27  
ON 14-PIN DIL SOCKET 605060 5 499  
FIT M10, M11, M12, M13, M14, M15, M16, M17, M18, M19, M20, M21, M22, M23, M24, M25, M26, M27  
ON 14-PIN DIL SOCKET 605061 13 499



TO J4  
M1-M24  
4306004

**CALIBRATOR REFERENCE**



MOUNT N2 FLUSH TO PCB.  
OTHER COMPONENTS MAX HEIGHT 10mm

THE FOLLOWING COMPONENTS  
TO BE MOUNTED ON GLASS  
BEAD 630243 - ONE PER LEG  
C1-C5 - 18 OHM

630243  
RIG. R20

510002

602001

610420-1

630229

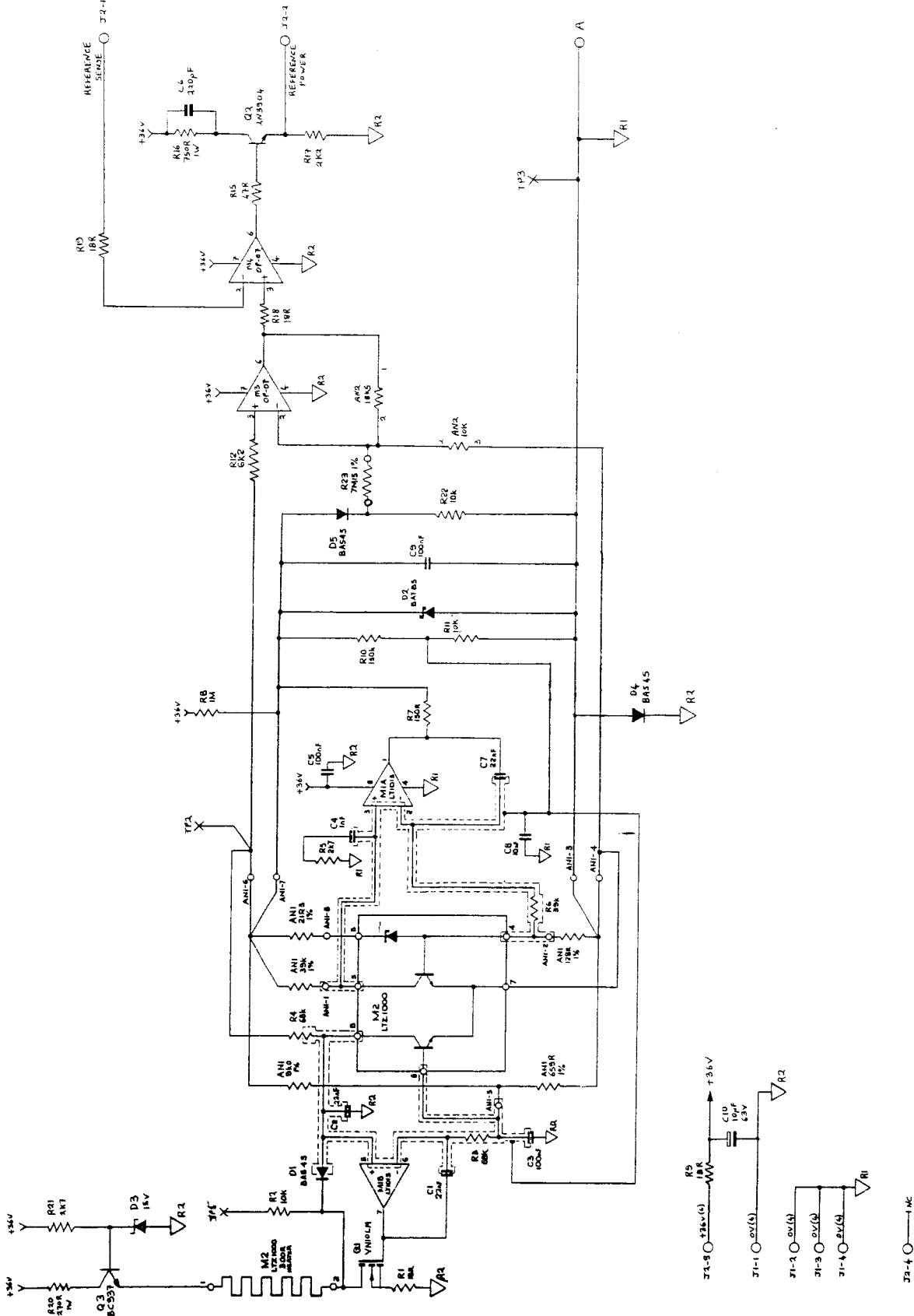
612051

450075

450075

630229

614029



**DC ASSEMBLY**

N.B. CLASS READ 600245 FITTED TO BACK LEG OF THE FOLLOWING COMPONENTS: C4, C5, C6, C7, C8, C9, C10, C11, C12, C13, C14, C15, C16, C17, C18, C19, C20, C21, C22, C23, C24, C25, C26, C27, C28, C29, C30, C31, C32, C33, C34, C35, C36, C37, C38, C39, C40, C41, C42, C43, C44, C45, C46, C47, C48, C49, C50, C51, C52, C53, C54, C55, C56, C57, C58, C59, C60, C61, C62, C63, C64, C65, C66, C67, C68, C69, C70, C71, C72, C73, C74, C75, C76, C77, C78, C79, C80, C81, C82, C83, C84, C85, C86, C87, C88, C89, C90, C91, C92, C93, C94, C95, C96, C97, C98, C99, C100, C101, C102, C103, C104, C105, C106, C107, C108, C109, C110, C111, C112, C113, C114, C115, C116, C117, C118, C119, C120, C121, C122, C123, C124, C125, C126, C127, C128, C129, C130, C131, C132, C133, C134, C135, C136, C137, C138, C139, C140, C141, C142, C143, C144, C145, C146, C147, C148, C149, C150, C151, C152, C153, C154, C155, C156, C157, C158, C159, C160, C161, C162, C163, C164, C165, C166, C167, C168, C169, C170, C171, C172, C173, C174, C175, C176, C177, C178, C179, C180, C181, C182, C183, C184, C185, C186, C187, C188, C189, C190, C191, C192, C193, C194, C195, C196, C197, C198, C199, C200, C201, C202, C203, C204, C205, C206, C207, C208, C209, C210, C211, C212, C213, C214, C215, C216, C217, C218, C219, C220, C221, C222, C223, C224, C225, C226, C227, C228, C229, C230, C231, C232, C233, C234, C235, C236, C237, C238, C239, C240, C241, C242, C243, C244, C245, C246, C247, C248, C249, C250, C251, C252, C253, C254, C255, C256, C257, C258, C259, C260, C261, C262, C263, C264, C265, C266, C267, C268, C269, C270, C271, C272, C273, C274, C275, C276, C277, C278, C279, C280, C281, C282, C283, C284, C285, C286, C287, C288, C289, C290, C291, C292, C293, C294, C295, C296, C297, C298, C299, C300, C301, C302, C303, C304, C305, C306, C307, C308, C309, C310, C311, C312, C313, C314, C315, C316, C317, C318, C319, C320, C321, C322, C323, C324, C325, C326, C327, C328, C329, C330, C331, C332, C333, C334, C335, C336, C337, C338, C339, C340, C341, C342, C343, C344, C345, C346, C347, C348, C349, C350, C351, C352, C353, C354, C355, C356, C357, C358, C359, C360, C361, C362, C363, C364, C365, C366, C367, C368, C369, C370, C371, C372, C373, C374, C375, C376, C377, C378, C379, C380, C381, C382, C383, C384, C385, C386, C387, C388, C389, C390, C391, C392, C393, C394, C395, C396, C397, C398, C399, C400, C401, C402, C403, C404, C405, C406, C407, C408, C409, C410, C411, C412, C413, C414, C415, C416, C417, C418, C419, C420, C421, C422, C423, C424, C425, C426, C427, C428, C429, C430, C431, C432, C433, C434, C435, C436, C437, C438, C439, C440, C441, C442, C443, C444, C445, C446, C447, C448, C449, C450, C451, C452, C453, C454, C455, C456, C457, C458, C459, C460, C461, C462, C463, C464, C465, C466, C467, C468, C469, C470, C471, C472, C473, C474, C475, C476, C477, C478, C479, C480, C481, C482, C483, C484, C485, C486, C487, C488, C489, C490, C491, C492, C493, C494, C495, C496, C497, C498, C499, C500, C501, C502, C503, C504, C505, C506, C507, C508, C509, C510, C511, C512, C513, C514, C515, C516, C517, C518, C519, C520, C521, C522, C523, C524, C525, C526, C527, C528, C529, C530, C531, C532, C533, C534, C535, C536, C537, C538, C539, C540, C541, C542, C543, C544, C545, C546, C547, C548, C549, C550, C551, C552, C553, C554, C555, C556, C557, C558, C559, C560, C561, C562, C563, C564, C565, C566, C567, C568, C569, C570, C571, C572, C573, C574, C575, C576, C577, C578, C579, C580, C581, C582, C583, C584, C585, C586, C587, C588, C589, C590, C591, C592, C593, C594, C595, C596, C597, C598, C599, C600, C601, C602, C603, C604, C605, C606, C607, C608, C609, C610, C611, C612, C613, C614, C615, C616, C617, C618, C619, C620, C621, C622, C623, C624, C625, C626, C627, C628, C629, C630, C631, C632, C633, C634, C635, C636, C637, C638, C639, C640, C641, C642, C643, C644, C645, C646, C647, C648, C649, C650, C651, C652, C653, C654, C655, C656, C657, C658, C659, C660, C661, C662, C663, C664, C665, C666, C667, C668, C669, C670, C671, C672, C673, C674, C675, C676, C677, C678, C679, C680, C681, C682, C683, C684, C685, C686, C687, C688, C689, C690, C691, C692, C693, C694, C695, C696, C697, C698, C699, C700, C701, C702, C703, C704, C705, C706, C707, C708, C709, C710, C711, C712, C713, C714, C715, C716, C717, C718, C719, C720, C721, C722, C723, C724, C725, C726, C727, C728, C729, C730, C731, C732, C733, C734, C735, C736, C737, C738, C739, C740, C741, C742, C743, C744, C745, C746, C747, C748, C749, C750, C751, C752, C753, C754, C755, C756, C757, C758, C759, C760, C761, C762, C763, C764, C765, C766, C767, C768, C769, C770, C771, C772, C773, C774, C775, C776, C777, C778, C779, C780, C781, C782, C783, C784, C785, C786, C787, C788, C789, C790, C791, C792, C793, C794, C795, C796, C797, C798, C799, C800, C801, C802, C803, C804, C805, C806, C807, C808, C809, C810, C811, C812, C813, C814, C815, C816, C817, C818, C819, C820, C821, C822, C823, C824, C825, C826, C827, C828, C829, C830, C831, C832, C833, C834, C835, C836, C837, C838, C839, C840, C841, C842, C843, C844, C845, C846, C847, C848, C849, C850, C851, C852, C853, C854, C855, C856, C857, C858, C859, C860, C861, C862, C863, C864, C865, C866, C867, C868, C869, C870, C871, C872, C873, C874, C875, C876, C877, C878, C879, C880, C881, C882, C883, C884, C885, C886, C887, C888, C889, C890, C891, C892, C893, C894, C895, C896, C897, C898, C899, C900, C901, C902, C903, C904, C905, C906, C907, C908, C909, C910, C911, C912, C913, C914, C915, C916, C917, C918, C919, C920, C921, C922, C923, C924, C925, C926, C927, C928, C929, C930, C931, C932, C933, C934, C935, C936, C937, C938, C939, C940, C941, C942, C943, C944, C945, C946, C947, C948, C949, C950, C951, C952, C953, C954, C955, C956, C957, C958, C959, C960, C961, C962, C963, C964, C965, C966, C967, C968, C969, C970, C971, C972, C973, C974, C975, C976, C977, C978, C979, C980, C981, C982, C983, C984, C985, C986, C987, C988, C989, C990, C991, C992, C993, C994, C995, C996, C997, C998, C999, C1000.

THE FOLLOWING COMPONENTS TO BE MOUNTED ON SMALL CERAMIC BEADS 600245: R17, R18, R19, R20, R21, R22, R23, R24, R25, R26, R27, R28, R29, R30, R31, R32, R33, R34, R35, R36, R37, R38, R39, R40, R41, R42, R43, R44, R45, R46, R47, R48, R49, R50, R51, R52, R53, R54, R55, R56, R57, R58, R59, R60, R61, R62, R63, R64, R65, R66, R67, R68, R69, R70, R71, R72, R73, R74, R75, R76, R77, R78, R79, R80, R81, R82, R83, R84, R85, R86, R87, R88, R89, R90, R91, R92, R93, R94, R95, R96, R97, R98, R99, R100.

MOUNT THE FOLLOWING COMPONENTS ON LARGE CERAMIC BEADS 600244: R1, R2, R3, R4, R5, R6, R7, R8, R9, R10, R11, R12, R13, R14, R15, R16, R17, R18, R19, R20, R21, R22, R23, R24, R25, R26, R27, R28, R29, R30, R31, R32, R33, R34, R35, R36, R37, R38, R39, R40, R41, R42, R43, R44, R45, R46, R47, R48, R49, R50, R51, R52, R53, R54, R55, R56, R57, R58, R59, R60, R61, R62, R63, R64, R65, R66, R67, R68, R69, R70, R71, R72, R73, R74, R75, R76, R77, R78, R79, R80, R81, R82, R83, R84, R85, R86, R87, R88, R89, R90, R91, R92, R93, R94, R95, R96, R97, R98, R99, R100.

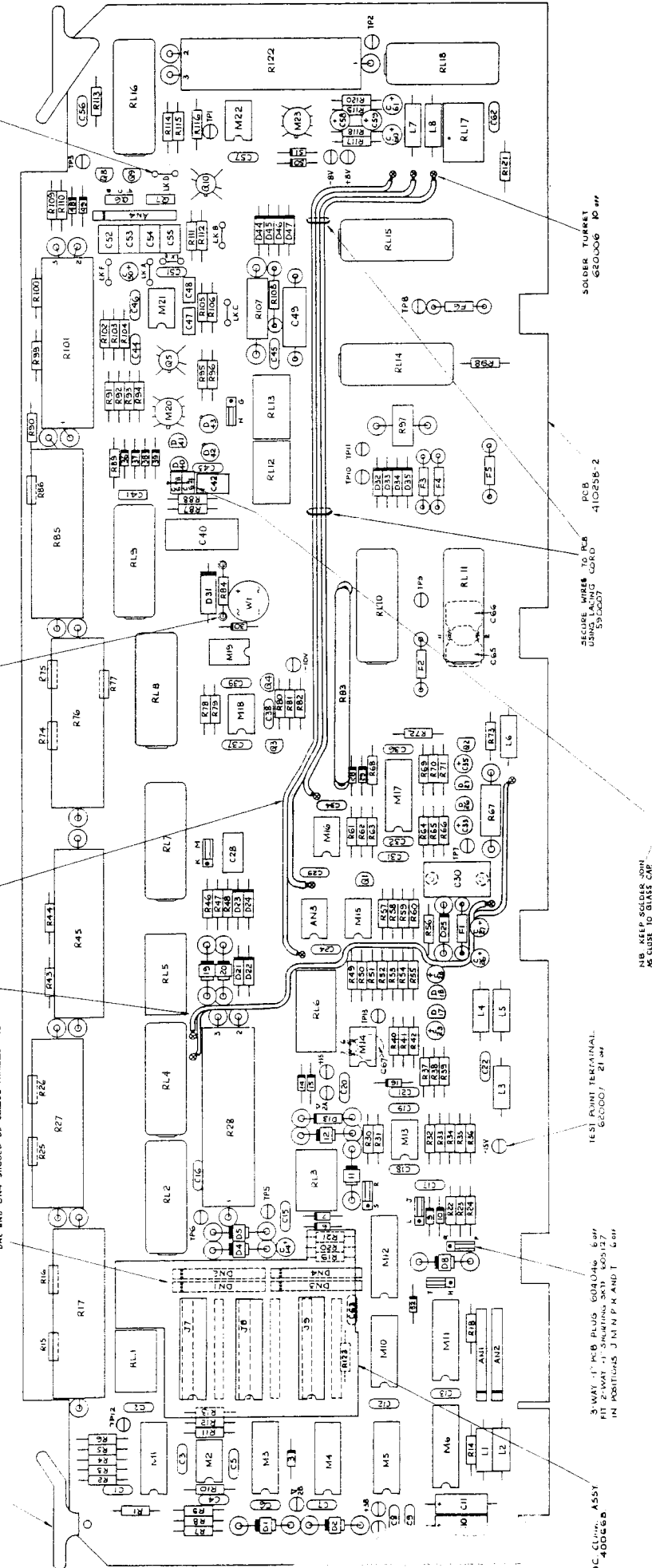
CIRCUIT BOARD EJECTOR (CHANGE) 600119 2.04

N.B. DNI AND DNI3 SHOULD BE COLOURED MARRED-BLUE  
DNI2 AND DNI4 SHOULD BE COLOURED MARRED-RED

MOUNT R84 ON TSV TERMINALS 600201 2.04

MAKE LINK L1A - L1F FROM 600206 BY-WIRE 600202

MOUNTING IC'S			
N° WAYS	PART N°	N° OF	USED TO MOUNT
8	605059	5	M2, M14, 15, 16, 18, 19, 21, 23
14	605060	6	M1, 3, 4, 3, 10, 17
16	605061	3	M6, 7, 12
20	605070	3	M7, 8, 5



3-WAY 1" PCB PLUS 600245 6.04  
FIT 2-WAY 1" SHALTING SWIT 600217  
IN POSITIONS J, M, P, H AND I 6.04

TEST POINT TERMINAL 600201 21.04

N.B. KEEP SOLDER JOINT AS CLOSE TO BIASS CAP BODY AS POSSIBLE

REMOVE WIRE TO R45 USING PLAIN 600207

PCB 4102536-2

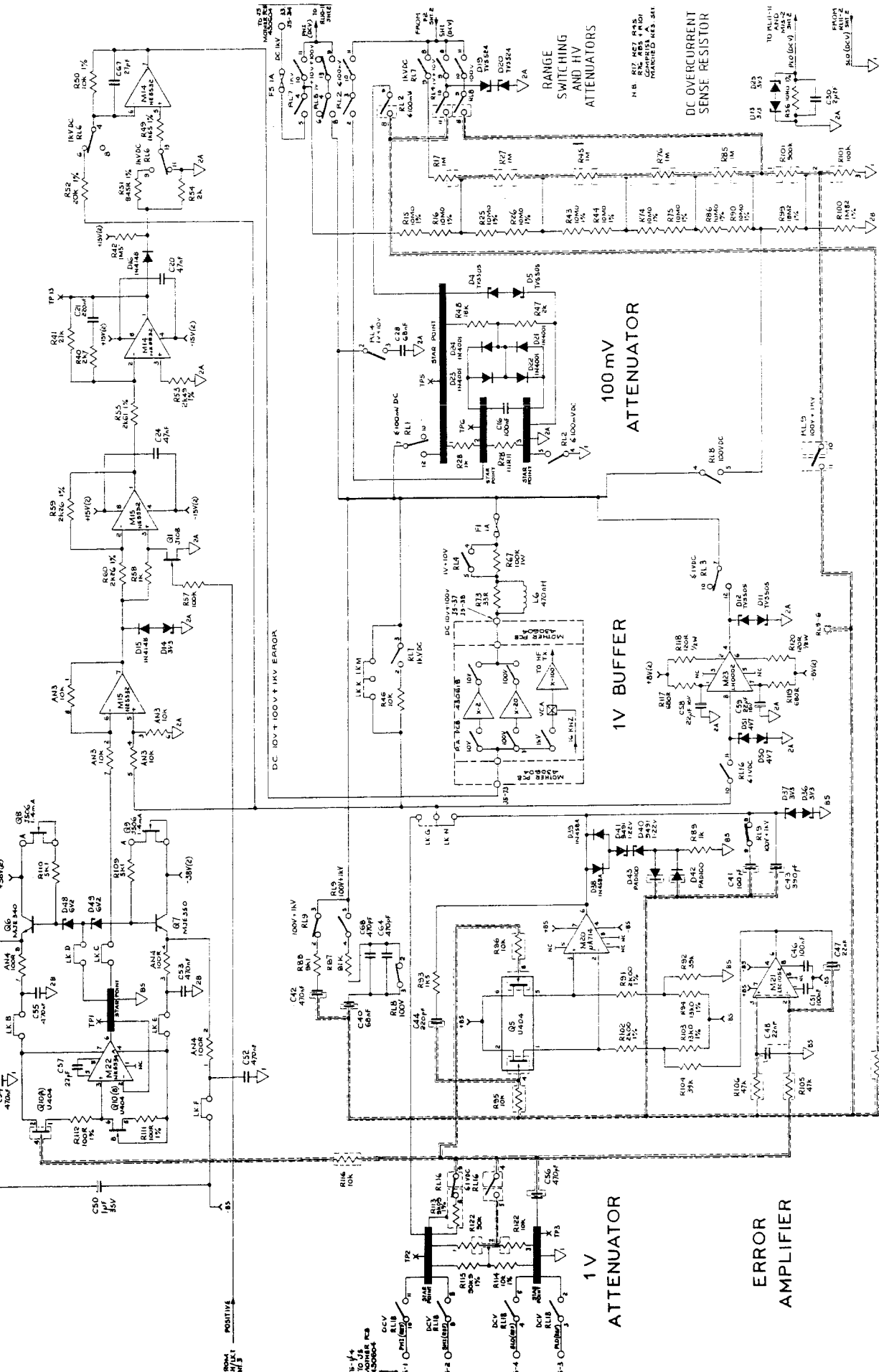
SOLDER TURRET 600206 10.04

ASSEMBLY OF CB4/C68



BOOTSTRAP SUPPLIES

VCA DRIVE



DC ASSEMBLY

100mV, 1V, 10V, 100V & 1kV Outputs

Circuit Diagram No. 430536-4.1 Sheet 1

**DC ASSEMBLY**

THE FOLLOWING COMPONENTS TO BE FINISHED ON SMALL CERAMIC BEADS W5002G, FT-4, C30 1 PER LEAD R83, R108, C49, 2 PER LEAD

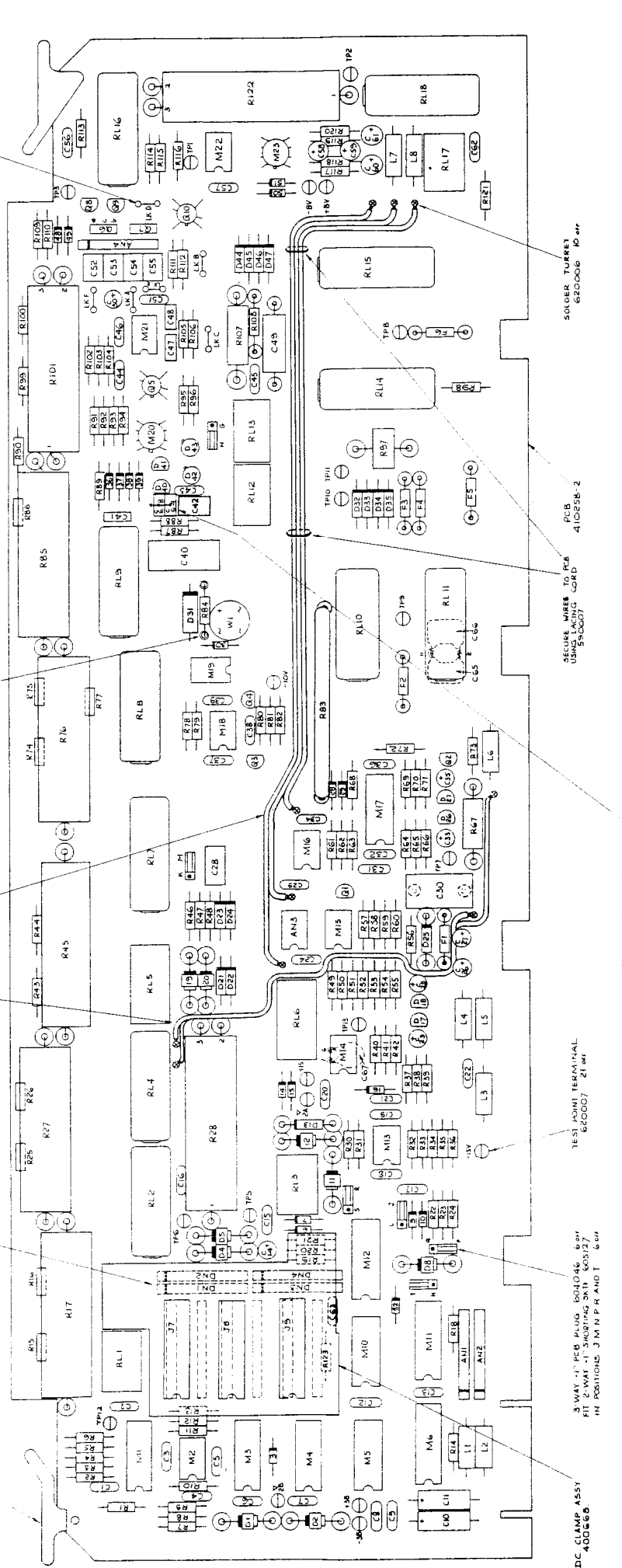
REMOVE THE FOLLOWING COMPONENTS ON LARGE CERAMIC BEADS W50024, 2 PER LEAD, R17, R27, R45, R76, R85, R101, R107, 4 R122 THE FOLLOWING COMPONENTS TO BE MARKED ALSO ON LARGE BEADS W5002G, FT-4, C30 1 DC ON 49, 508, 511, 528, 538, 553, 554, 555, 557, R87

MOUNTING JCS	N17	
H* WAYS	PART #	NO OF
8	605053	5
14	605060	5
16	605061	3
20	605070	3

MARK THE FIVE WIRE LEADS WITH THE WHITE WIRE STRIPS 7/8" LINE MARKED BLUE

MARK THE BOARD ELEMENT (WARRANT) 650113 2.4"

140 DIM 2ND DIM 2ND DIM SHOULD BE COLOUR MARKED RED COLOUR MARKED RED



3-WAY 31-PCB PLUS, 804046 5.8" FIT 2-WAY 11-SHORTING 3-11, 603127 IN POSITIONS J 1 M 1 P R AND T & G

DC CLAMP ASSY 400066

TEST POINT TERMINAL 620007 21 OF

NB KEEP SOLDER JOIN AS CLOSE TO GLASS CAP BODY AS POSSIBLE

SLEEVE 850004 PCB

SECURE WIRES TO PCB USING LACING CORD 590007

RCS 410258-2

SOLDER TURRETS 620006 10 OF

MAKE SURE THE 14 PIN FROM C40005 14-2 WIRE S40000

NB CLASS BEAD 60045 BITTED TO EACH LEG OF THE FOLLOWING COMPONENTS TO BE FINISHED ON SMALL CERAMIC BEADS W5002G, FT-4, C30 1 PER LEAD R83, R108, C49, 2 PER LEAD

NIGHT 884 ON ISV TERMINALS 600001 2 OF

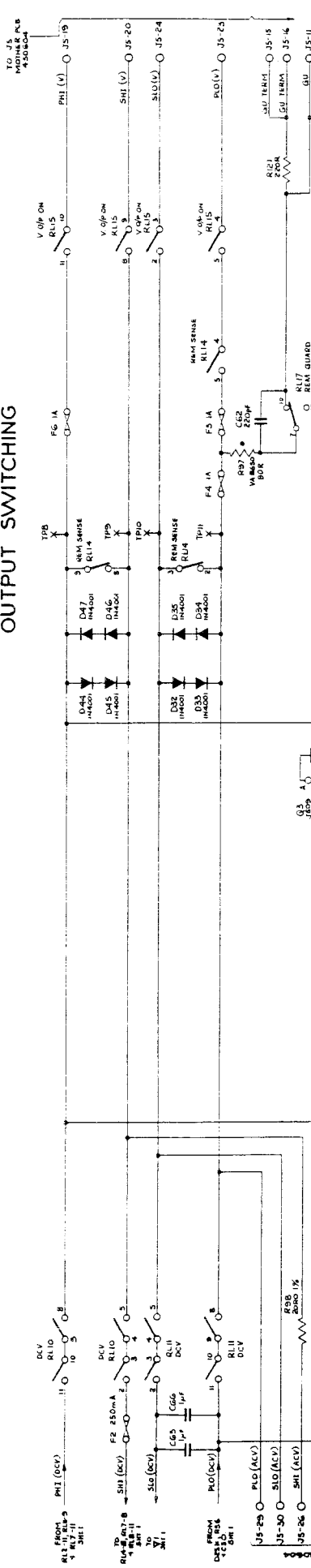
140 DIM 2ND DIM 2ND DIM SHOULD BE COLOUR MARKED RED COLOUR MARKED RED

7/8" FIVE WIRE LEADS WITH THE WHITE WIRE STRIPS 7/8" LINE MARKED BLUE

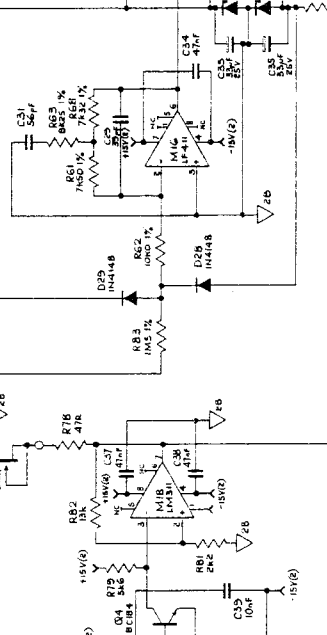
REMOVE THE FOLLOWING COMPONENTS ON LARGE CERAMIC BEADS W50024, 2 PER LEAD, R17, R27, R45, R76, R85, R101, R107, 4 R122 THE FOLLOWING COMPONENTS TO BE MARKED ALSO ON LARGE BEADS W5002G, FT-4, C30 1 DC ON 49, 508, 511, 528, 538, 553, 554, 555, 557, R87

THE FOLLOWING COMPONENTS TO BE FINISHED ON SMALL CERAMIC BEADS W5002G, FT-4, C30 1 PER LEAD R83, R108, C49, 2 PER LEAD

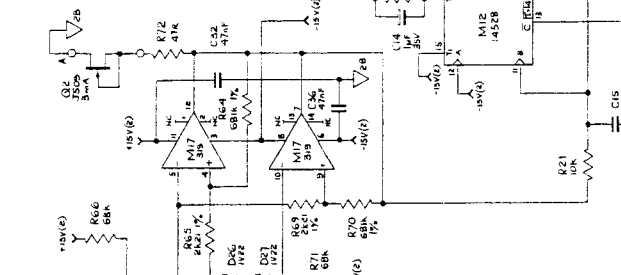
# OUTPUT SWITCHING



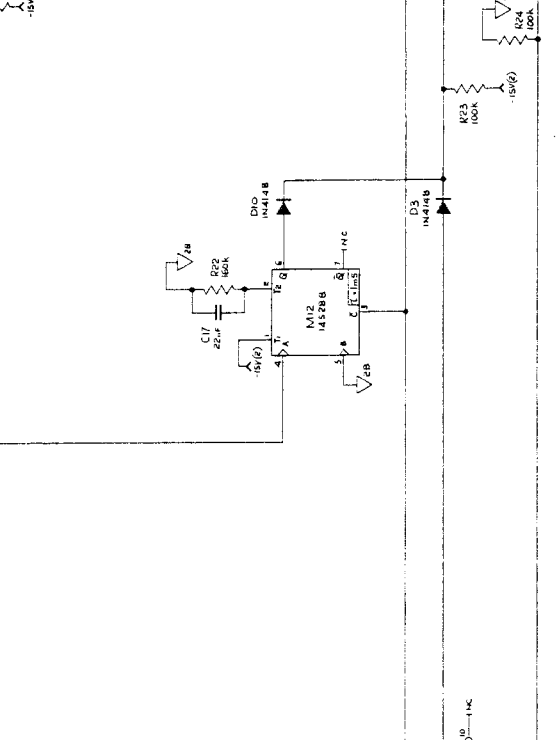
# AC 1kV OVERCURRENT DETECTOR



# OVERVOLTAGE DETECTION



# DC OVERCURRENT DETECTOR



**DC ASSEMBLY**  
Output Switching and Overload Sense  
Circuit Diagram No. 430536-4.0 Sheet 2

MOUNTING I.C.S.		
WIRE	PART #	USED TO MOUNT
8	605055	MC 15 14 15 16 18 19 21 23
14	605060	MY 3 4 3 10 17
16	605061	MX 11 12
20	605070	MY 8 3

MOUNT THE FOLLOWING COMPONENTS ON LARGE CERAMIC BEADS 650024, 2 PER LEAD. R15, R16, R17, R18, R19, R20, R21, R22. THE FOLLOWING COMPONENTS TO MOUNT ON SMALL CERAMIC BEADS 650025, 1 PER LEAD. D4, D5, DB, DI1, DI2, DI3, DI4, DI5, DI6, DES, R67, R67, R67.

THE FOLLOWING COMPONENTS TO BE MOUNTED ON SMALL CERAMIC BEADS 650025, 1 PER LEAD. R85, R108, C95, 2 PER LEAD.

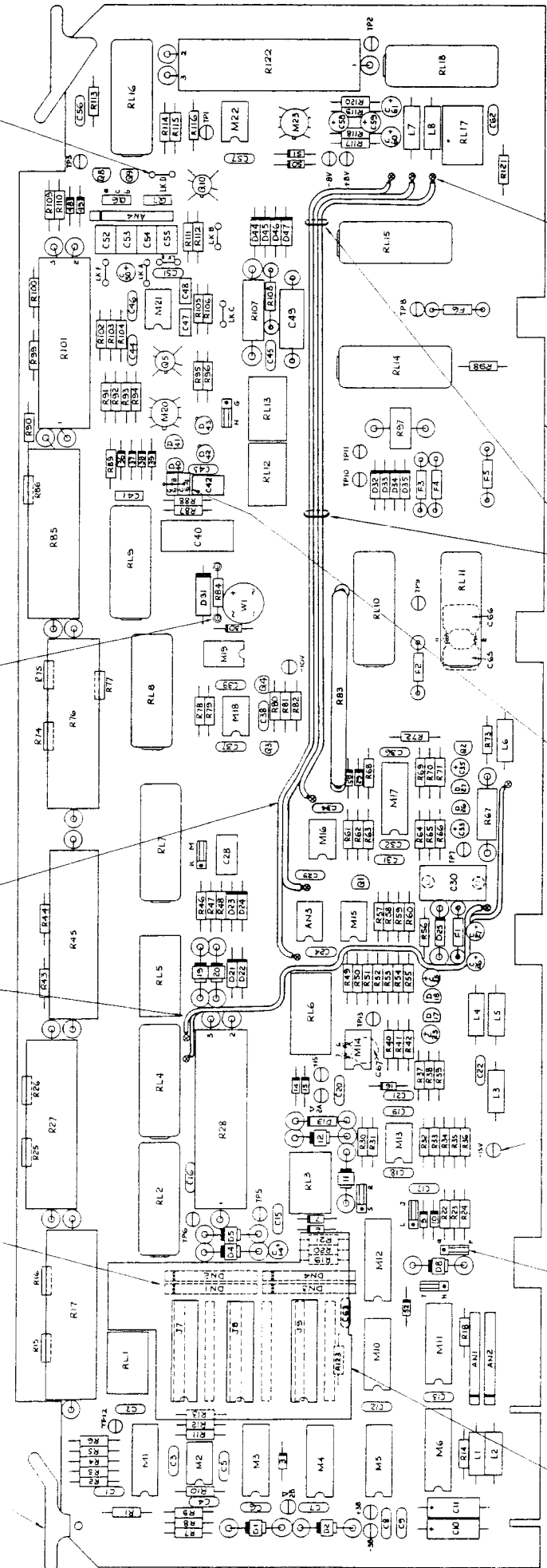
N.B. CLASS BEAD 650045 FITTED TO EACH LEG OF THE FOLLOWING COMPONENTS - R17, R18, R19, R20, R21, R22.

CIRCUIT BOARD SELECTOR (ORANGE)

MOUNT R84 ON FSV TERMINALS 602001, 2 PER

N.B. DNI AND DI13 SHOULD BE COLORED MARKED BUT DNI AND DNI1 SHOULD BE COLORED MARKED BUT 7/2 FILL WHITE WIRE 5160053

MAKE WIRE LINKS 1/4" LEAD FROM 22 AWG BITE WIRE 5160020



3 WAY 17' PCB PLUG 604046 6WY FIT 2 WAY 7' SHORTING JACK 605027 IN POSITIONS J1 N P R AND T 63W

TEST POINT TERMINAL 600007 21 PER

N.B. KEEP SOLDER JOINTS CLEAN AND AS SMALL AS POSSIBLE



SECURE WIRES TO PCB USING LACING WIRE 550007

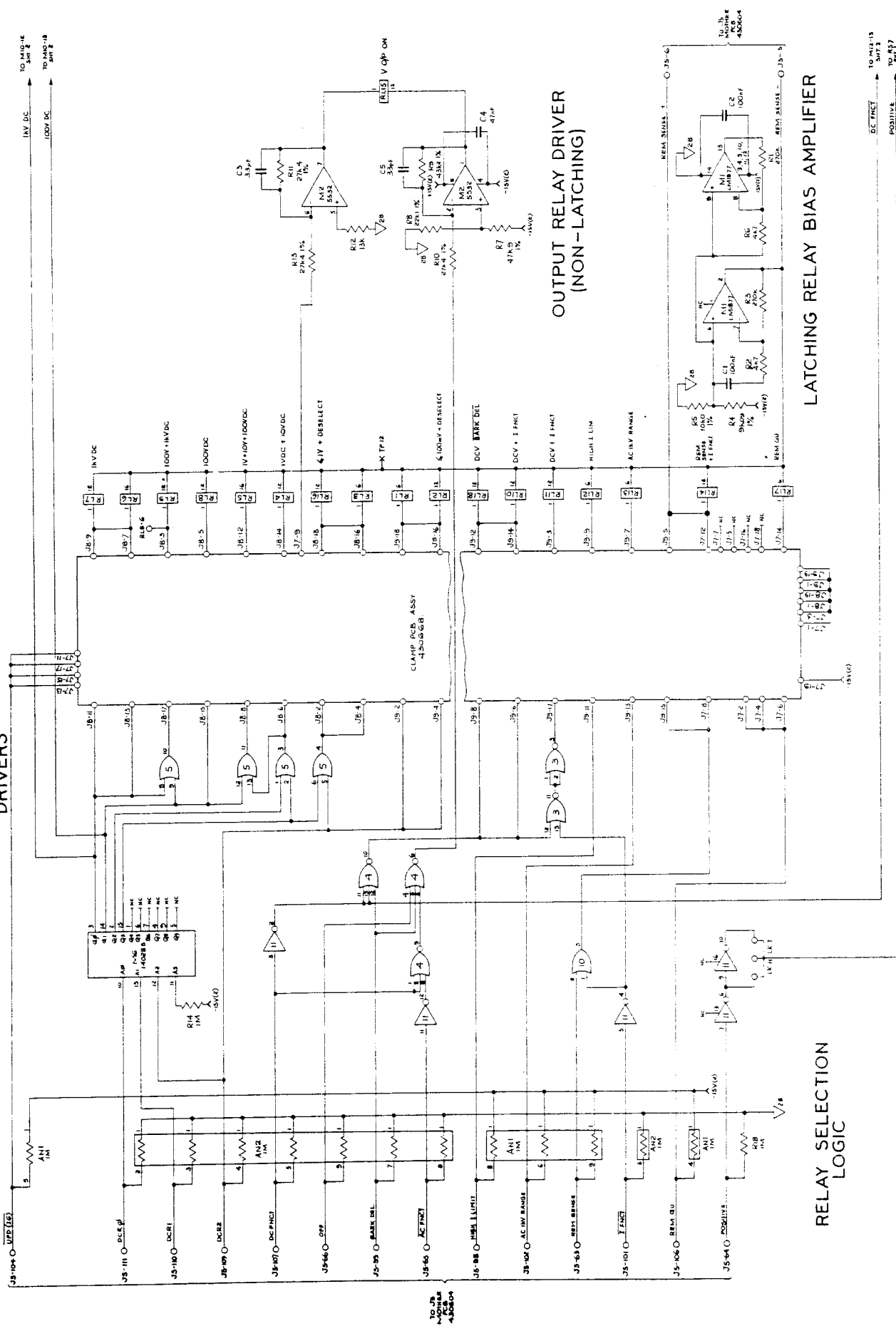
SOLDER TURRET 600006 10 PER

PCB 410538-2

ASSY OF C64/C66

DC CLAMP ASSY 400066

TRI-STATE DRIVERS



TO 25  
NO. 10  
PCB  
430536-4

OUTPUT RELAY DRIVER  
(NON-LATCHING)

LATCHING RELAY BIAS AMPLIFIER

RELAY SELECTION LOGIC

TO 25  
NO. 10  
PCB  
430536-4

**DC ASSEMBLY**

MOUNTING I.C.			
P#	WATS	PART #	USED TO MOUNT
1	605059	5	M2 13 14 15 16 18 19 21 22
2	605060	6	M1 3 4 5 10 17
3	605061	3	M6 11 12
4	605070	3	M7 8 9

THE FOLLOWING COMPONENTS TO BE MOUNTED ON SMALL CERAMIC BEADS 650026: R1-E4, C30 1 PER LEAD, R83, R10B, C45, 2 PER LEAD.

MOUNT THE FOLLOWING COMPONENTS ON CARBON CERAMIC BEADS 650024, 2 PER LEAD: R17, R27, R28, R45, R76, R85, R101, R107, R122. THE FOLLOWING COMPONENTS TO BE MAXIMIZED ALSO ON LARGE BEADS, 1 PER LEAD: C45, C52, C54, C55, C67, R457.

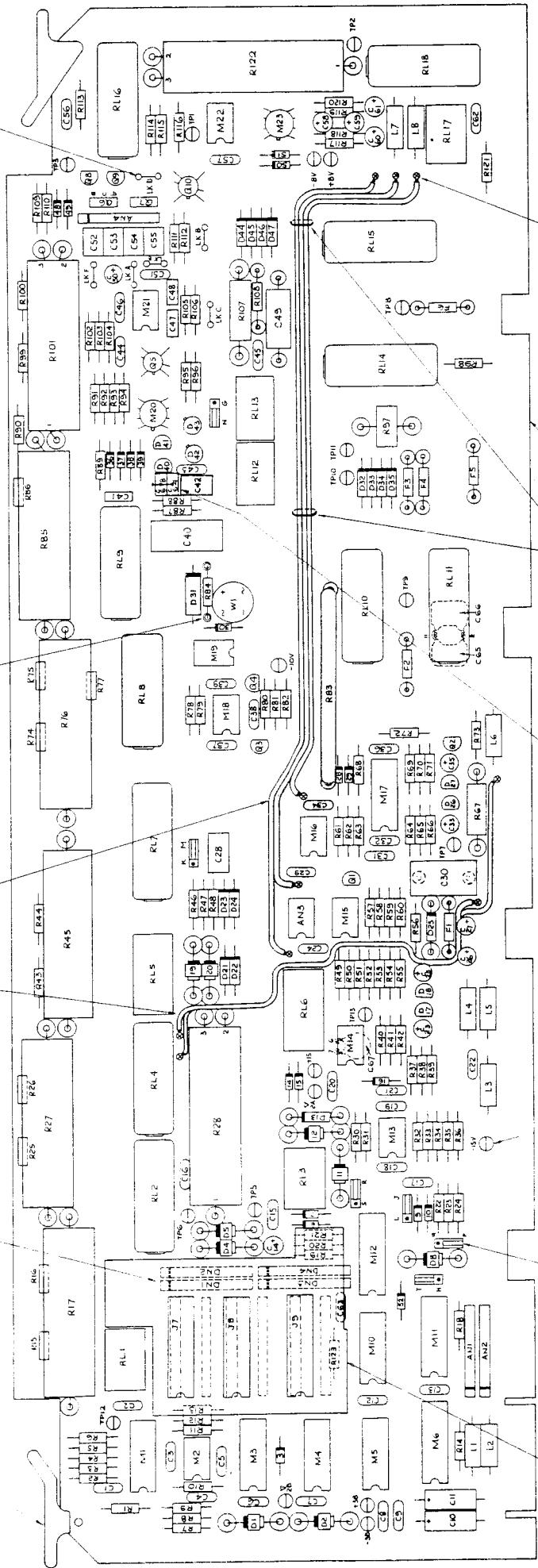
N.B. CLASS READ 650043 FITTED TO EACH LEG OF PCB TO PROTECT FROM DAMAGE TO COMPONENTS. USE 650043, 650044, 650045, 650046, 650047.

CHECK OUT BOARD E-RES FROM (CHANGE) 650045, 2 WT.

N.B. USE 1/2" DIA. WIRE SHOULD BE COLOUR MARKED "RED". 7/2" DIA. WHITE WIRE SHOULD BE COLOUR MARKED "RED".

MOUNT R84 ON PSY TERMINALS 650007 2 PH.

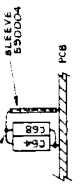
MAKE WIRE LINKS 1/4" I.D.F. 650044 USING 61C WIRE 5400032



DC CLAMP ASSY 400666  
3 WAY 1" PCB PLUS 605046, 650047, 650048, 650049, 650050 IN POSITIONS J, M, N, P AND T 6.8H

TEST POINT TERMINAL 650007 21 PH.

N.B. KEEP SOLDER FROM ACQUING TO BRASS CAP BODY AS POSSIBLE

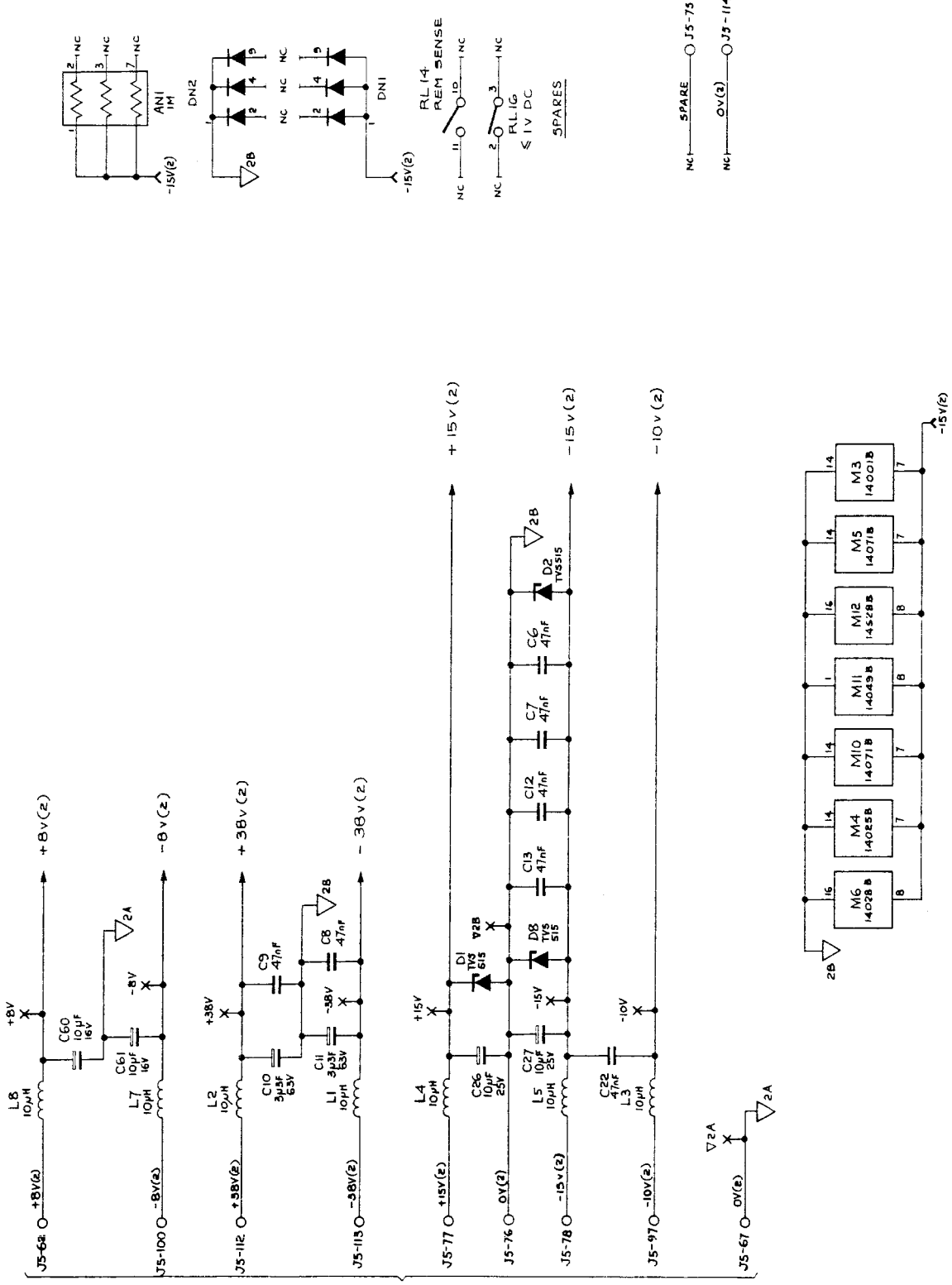


ASST. OF C64/C65

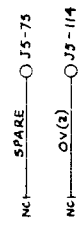
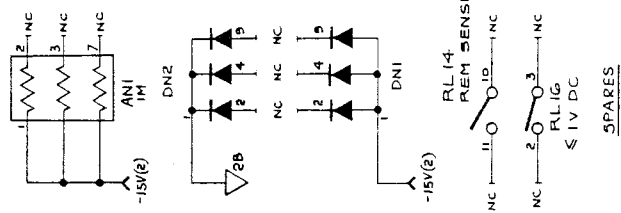
SECURE WIRE TO PCB USING LACING CORE 650007

PCB 410658-2

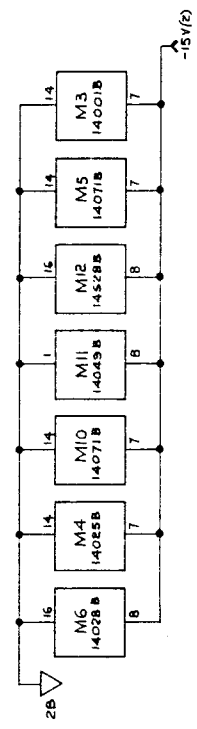
SOLDER TURRET 650006 10 PH.



TO J5  
MOTHER  
PCB.  
430604



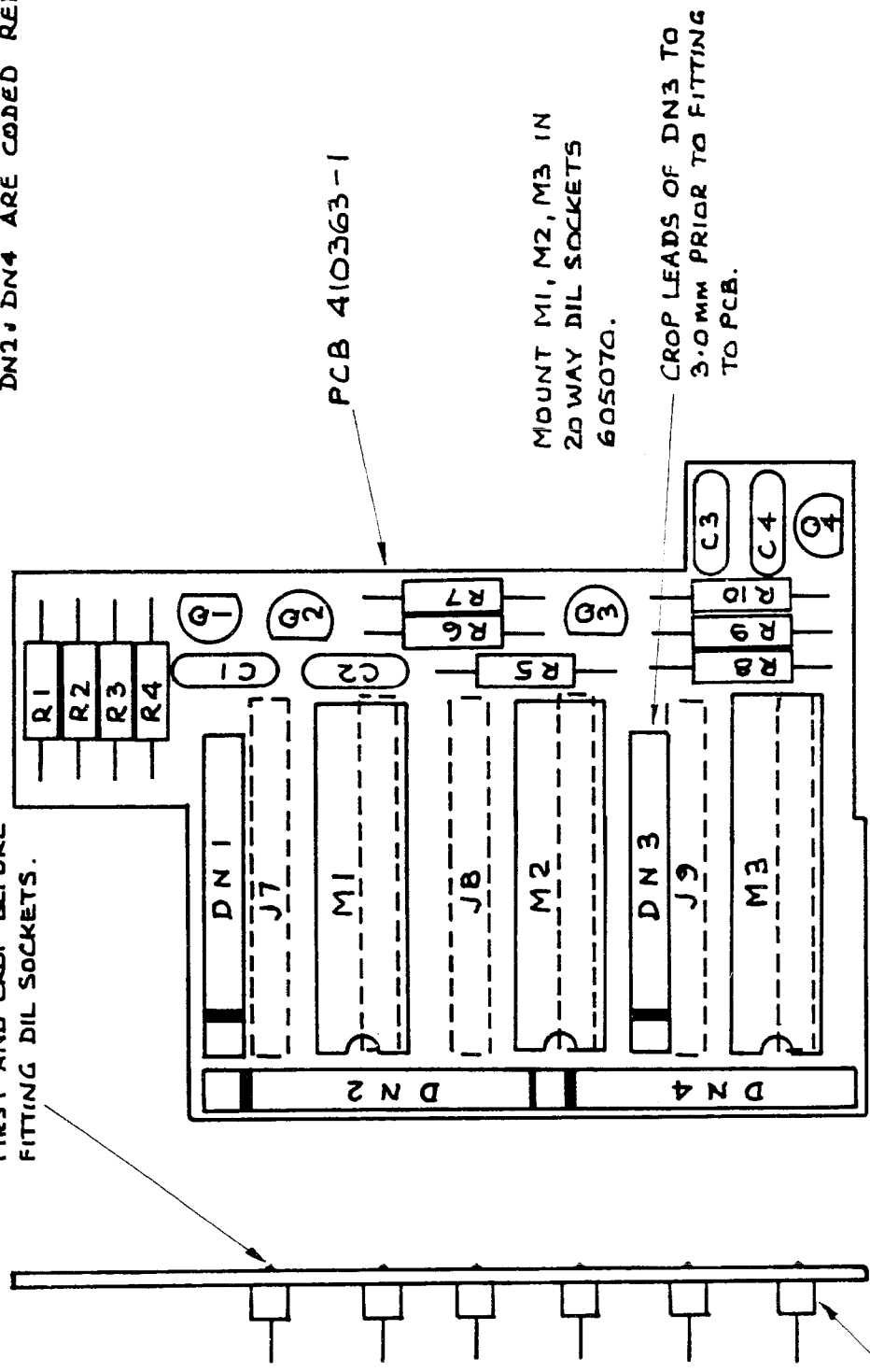
**DC ASSEMBLY**  
Power Supplies



DC CLAMP ASSEMBLY

NOTE. DN1 & DN3 ARE CODED BLUE  
DN2 & DN4 ARE CODED RED

N.B. FIT HEADER PLUGS  
FIRST AND CROP BEFORE  
FITTING DIL SOCKETS.



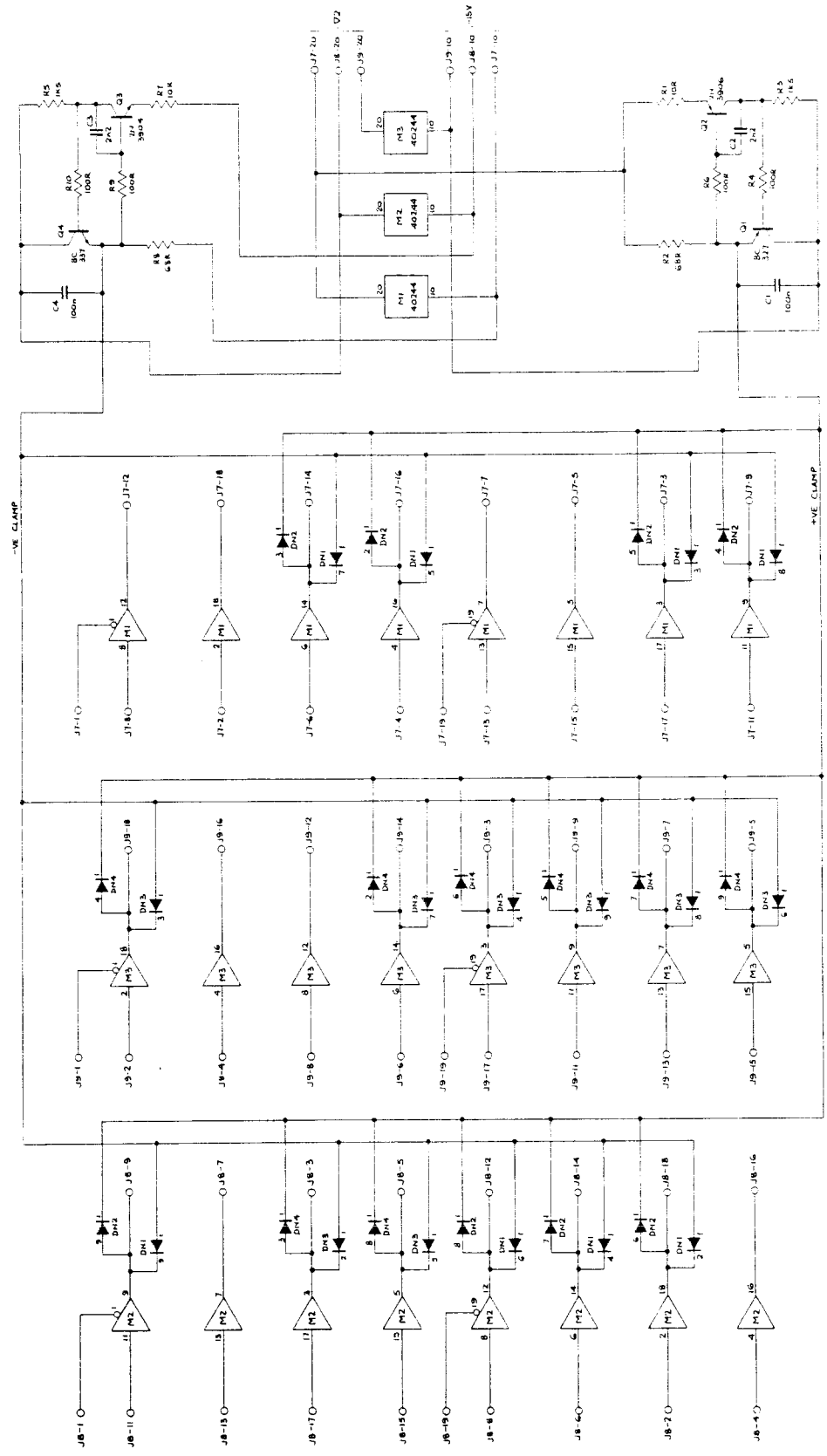
MOUNT M1, M2, M3 IN  
20 WAY DIL SOCKETS  
605070.

CROP LEADS OF DN3 TO  
3.0MM PRIOR TO FITTING  
TO PCB.

MAKE HEADER PLUGS  
FROM 604057 (6 OFF)



DN1 AND DN3 ARE CA-1N4148  
DN2 AND DN4 ARE CC-1N4148



DC CLAMP ASSEMBLY

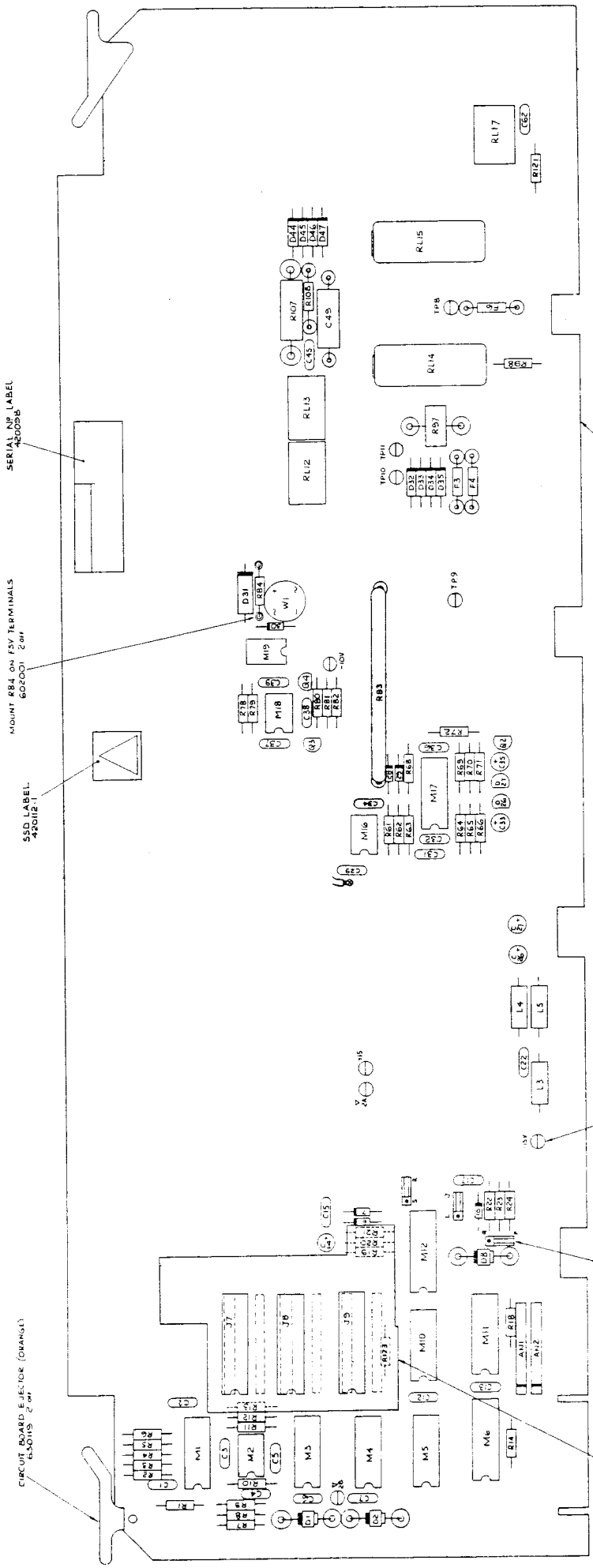
Circuit Diagram No. 430668-1.1 Sheet 1

MOUNTING I.C.S.		
MP WAYS	PART #	USED TO MOUNT
8	605059	M1, M2, M3, M4, M5, M6, M7, M8, M9, M10, M11, M12
14	605060	M1, M2, M3, M4, M5, M6, M7, M8, M9, M10, M11, M12
16	605061	M1, M2, M3, M4, M5, M6, M7, M8, M9, M10, M11, M12
20	605070	M1, M2, M3, M4, M5, M6, M7, M8, M9, M10, M11, M12

MOUNT THE FOLLOWING COMPONENTS ON LABEL R107  
 THE FOLLOWING COMPONENTS TO BE MOUNTED ON ALSO ON LARGE BEADS, 1 PER LEAD. DI DE DB R97

MOUNT THE FOLLOWING COMPONENTS TO BE MOUNTED ON SMALL CERAMIC BEADS 650036, 73, 4, 6 1 PER LEAD R83, R108, C49, 2 PER LEAD

N.B. CLASS READ 600045 FITTED TO EACH LEG OF THE FOLLOWING COMPONENTS: C26, C28, C29, C30



SSD LABEL 420112.1

MOUNT R84 ON FSV TERMINALS 602001 2 0H

CIRCUIT BOARD DEFLECTOR (ORANGE) 604005 2 0H

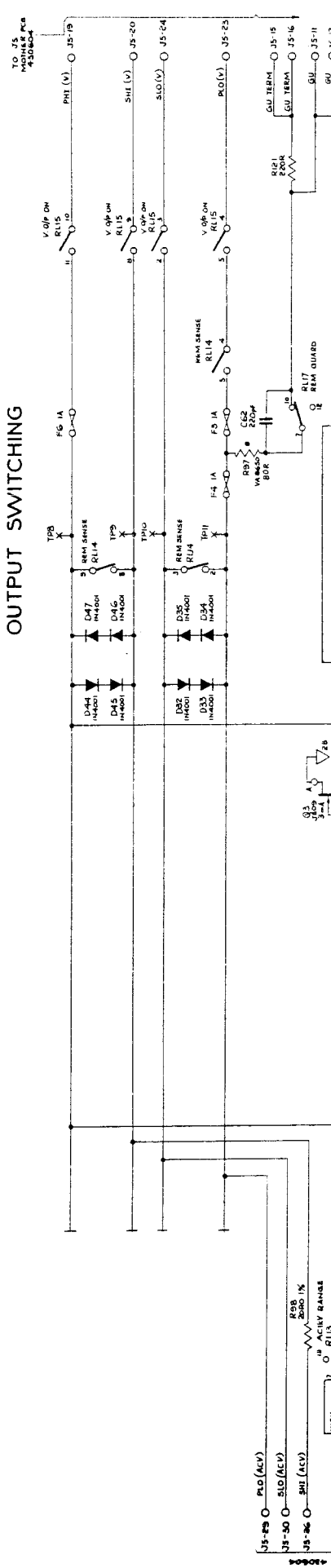
TEST POINT TERMINAL 600007 7 0H

3 WAY PCB PLUG 604046 6 0H  
 FIT 2 WAY 11 SHORTRUN WITH 605127  
 IN POSITIONS J1, J2, J3 AND J4

DC CLAMP ASSY 400668

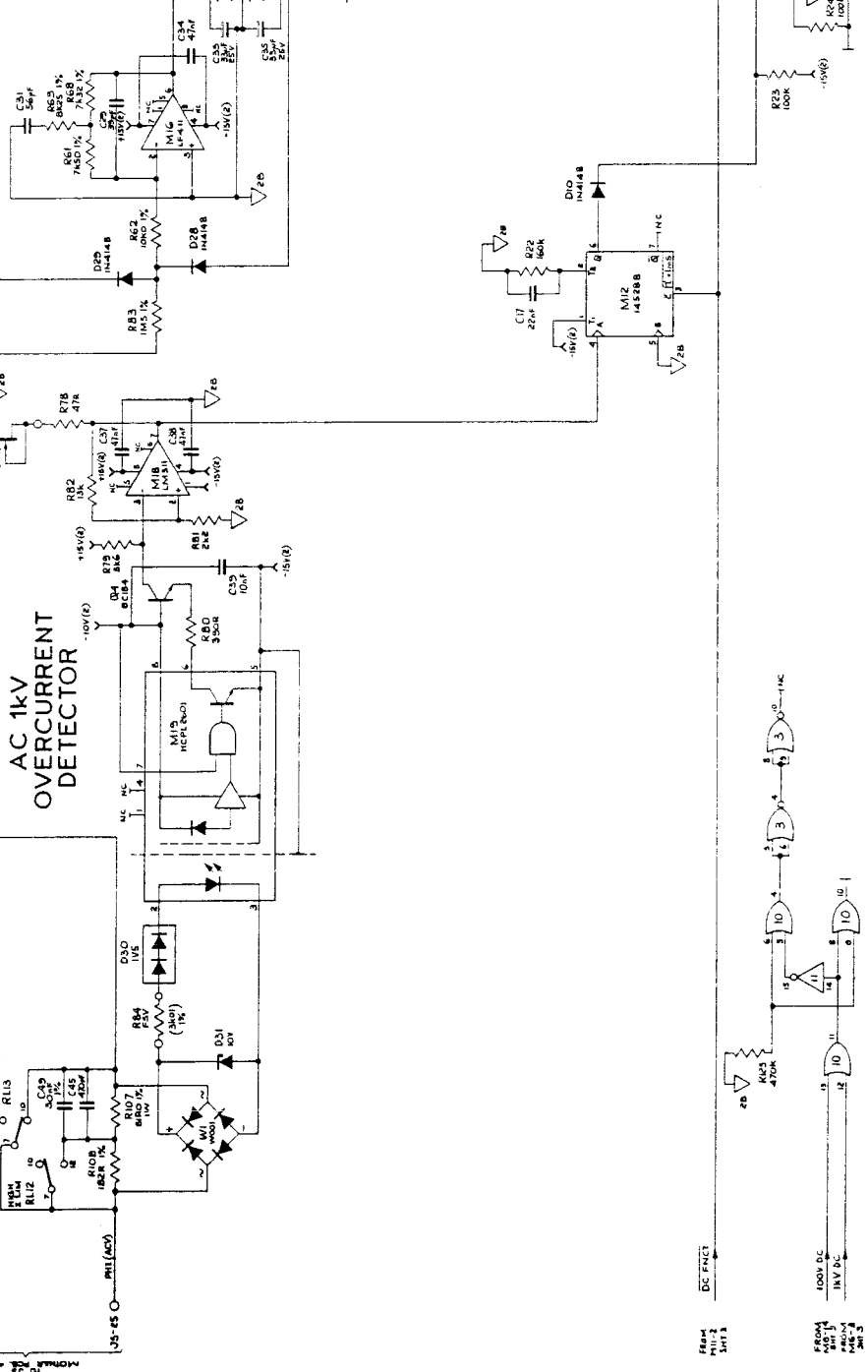
PCB 410E58-2

# OUTPUT SWITCHING



# AC 1kV OVERCURRENT DETECTOR

# OVERVOLTAGE DETECTION



# OUTPUT CONTROL ASSEMBLY

Output Switching and Overload Sense

**OUTPUT CONTROL ASSEMBLY**

N.B. CLASS READ BEADS FITTED TO PINS 15, 16, 17 OF THE FOLLOWING BEAD CARRIERS:  
C33, C34, C35, C36, C37, C38, C39, C40, C41, C42, C43, C44, C45, C46, C47, C48, C49, C50, C51, C52, C53, C54, C55, C56, C57, C58, C59, C60, C61, C62, C63, C64, C65, C66, C67, C68, C69, C70, C71, C72, C73, C74, C75, C76, C77, C78, C79, C80, C81, C82, C83, C84, C85, C86, C87, C88, C89, C90, C91, C92, C93, C94, C95, C96, C97, C98, C99, C100.

THE FOLLOWING COMPONENTS TO BE MOUNTED ON SMALL CERAMIC BEAD CARRIERS:  
R83, R108, C43, 2 PER LEAD

MOUNT THE FOLLOWING COMPONENTS ON CERAMIC BEAD CARRIER 600041, 2 PER LEAD:  
R107  
THE FOLLOWING COMPONENTS TO BE MOUNTED ALSO ON LARGE BEADS, 1 PER LEAD: D1, D2, D8, R97

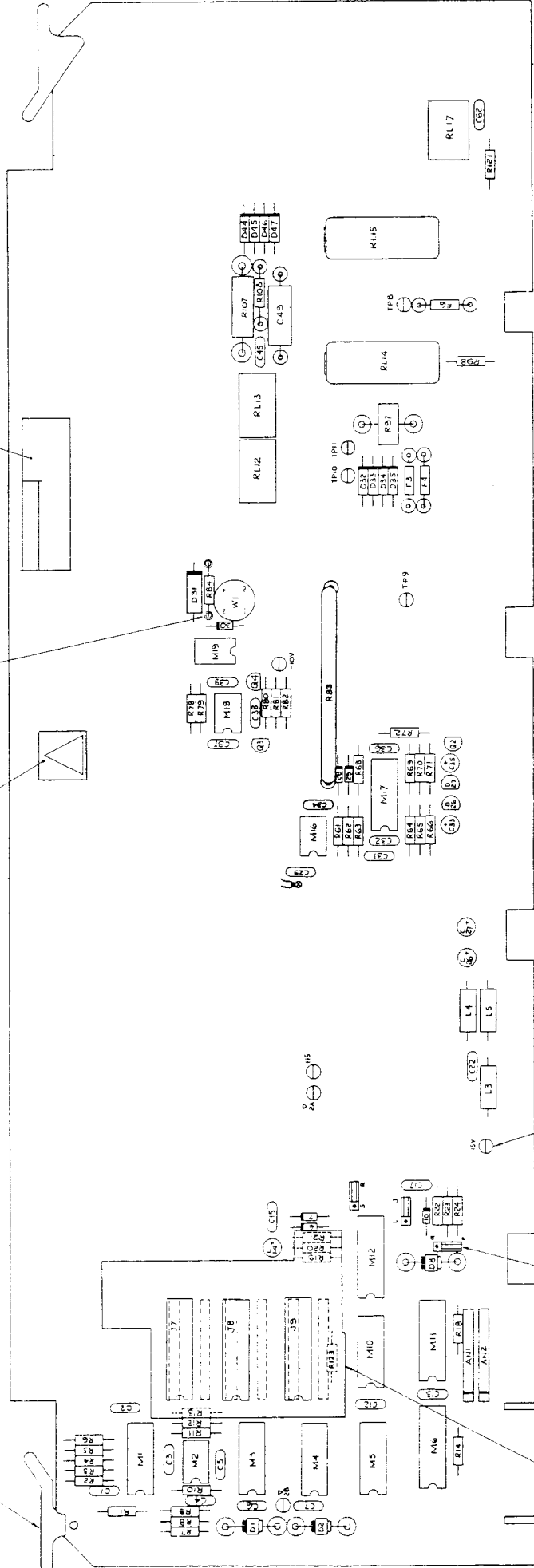
MOUNTING ICs		
IC PART NO.	IC PART NO.	USED TO MOUNT
8	605055	M1, M2, M3, M4, M5, M6, M7, M8, M9, M10, M11, M12, M13, M14, M15, M16, M17, M18, M19, M20, M21, M22, M23, M24, M25, M26, M27, M28, M29, M30, M31, M32, M33, M34, M35, M36, M37, M38, M39, M40, M41, M42, M43, M44, M45, M46, M47, M48, M49, M50, M51, M52, M53, M54, M55, M56, M57, M58, M59, M60, M61, M62, M63, M64, M65, M66, M67, M68, M69, M70, M71, M72, M73, M74, M75, M76, M77, M78, M79, M80, M81, M82, M83, M84, M85, M86, M87, M88, M89, M90, M91, M92, M93, M94, M95, M96, M97, M98, M99, M100
14	605060	M1, M2, M3, M4, M5, M6, M7, M8, M9, M10, M11, M12, M13, M14, M15, M16, M17, M18, M19, M20, M21, M22, M23, M24, M25, M26, M27, M28, M29, M30, M31, M32, M33, M34, M35, M36, M37, M38, M39, M40, M41, M42, M43, M44, M45, M46, M47, M48, M49, M50, M51, M52, M53, M54, M55, M56, M57, M58, M59, M60, M61, M62, M63, M64, M65, M66, M67, M68, M69, M70, M71, M72, M73, M74, M75, M76, M77, M78, M79, M80, M81, M82, M83, M84, M85, M86, M87, M88, M89, M90, M91, M92, M93, M94, M95, M96, M97, M98, M99, M100
16	605061	M1, M2, M3, M4, M5, M6, M7, M8, M9, M10, M11, M12, M13, M14, M15, M16, M17, M18, M19, M20, M21, M22, M23, M24, M25, M26, M27, M28, M29, M30, M31, M32, M33, M34, M35, M36, M37, M38, M39, M40, M41, M42, M43, M44, M45, M46, M47, M48, M49, M50, M51, M52, M53, M54, M55, M56, M57, M58, M59, M60, M61, M62, M63, M64, M65, M66, M67, M68, M69, M70, M71, M72, M73, M74, M75, M76, M77, M78, M79, M80, M81, M82, M83, M84, M85, M86, M87, M88, M89, M90, M91, M92, M93, M94, M95, M96, M97, M98, M99, M100
20	605010	J7, J8, J9, J10, J11, J12, J13, J14, J15, J16, J17, J18, J19, J20, J21, J22, J23, J24, J25, J26, J27, J28, J29, J30, J31, J32, J33, J34, J35, J36, J37, J38, J39, J40, J41, J42, J43, J44, J45, J46, J47, J48, J49, J50, J51, J52, J53, J54, J55, J56, J57, J58, J59, J60, J61, J62, J63, J64, J65, J66, J67, J68, J69, J70, J71, J72, J73, J74, J75, J76, J77, J78, J79, J80, J81, J82, J83, J84, J85, J86, J87, J88, J89, J90, J91, J92, J93, J94, J95, J96, J97, J98, J99, J100

SSD LABEL  
420112-1

MOUNT KBA ON FSV TERMINALS  
600001, 2 PER

SERIAL N° LABEL  
420098

CIRCUIT BOARD ELECTRON (ORANGE)  
600001, 2 PER



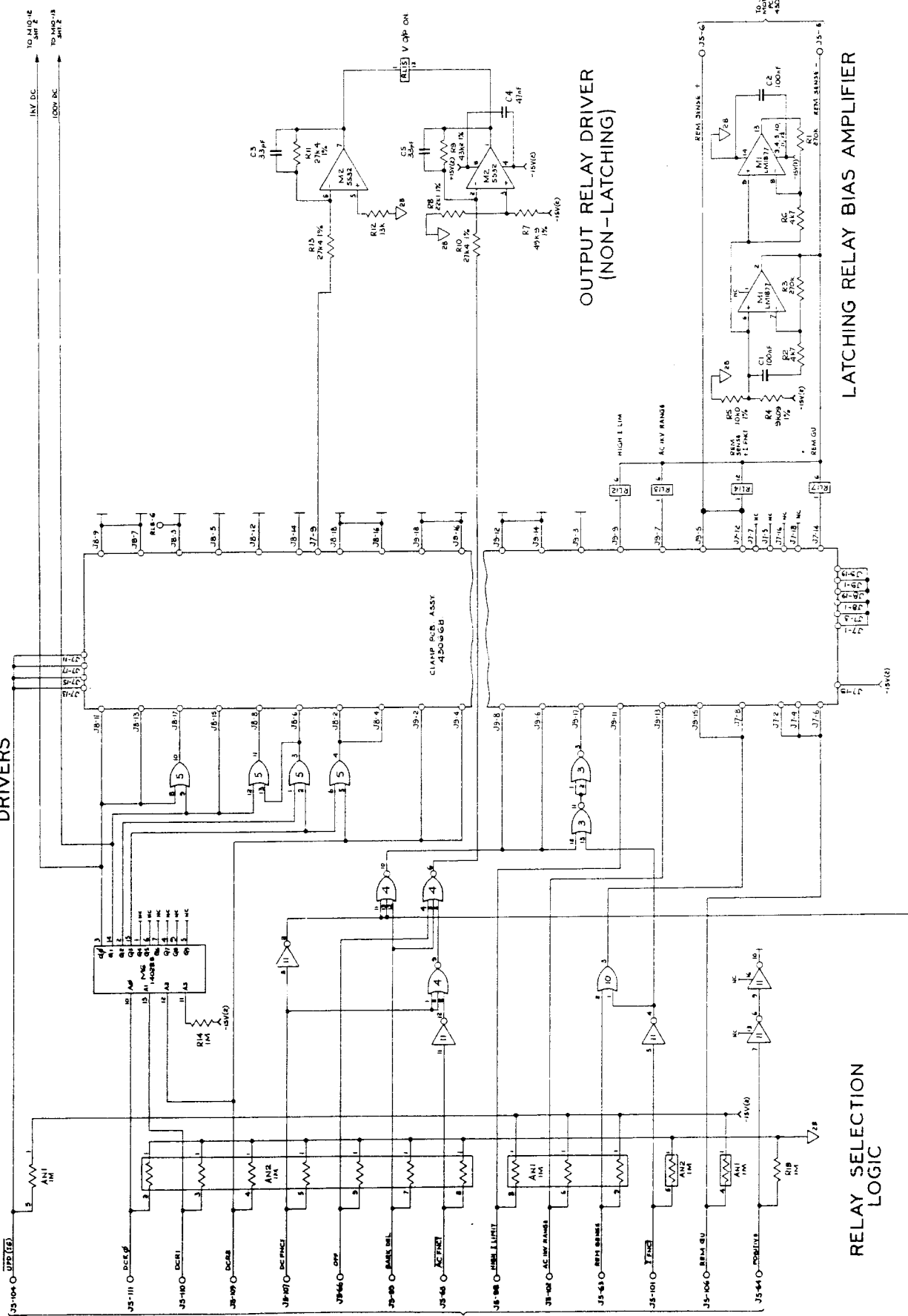
3 WAY 1 PCB PLUG 600046 6 PER  
FIT 2 WAY 1 SHORTING STRIP 600127  
IN POSITIONS J7, M16 AND T1-3 ON

DC CLAMP ASSY  
400668

TEST POINT TERMINAL  
600001 7 PER

PCB  
410258-2

### TRI-STATE DRIVERS



TO M1012  
SMT 2

TO M1013  
SMT 2

15V DC

100V AC

DC FREQ

15V(0)

15V(0)

15V(0)

15V(0)

15V(0)

15V(0)

15V(0)

15V(0)

15V(0)

15V(0)

15V(0)

15V(0)

15V(0)

15V(0)

15V(0)

15V(0)

15V(0)

15V(0)

15V(0)

15V(0)

15V(0)

15V(0)

15V(0)

15V(0)

15V(0)

**OUTPUT CONTROL ASSEMBLY**

MOUNT THE FOLLOWING COMPONENTS ON LARGE CERAMIC BEADS 650024, 2 PER LEAD. LARGE R107.

THE FOLLOWING COMPONENTS TO BE MOUNTED ALSO ON CERAMIC BEADS: 1 PER LEAD: D1 D2 D8 R97

MOUNT THE FOLLOWING COMPONENTS TO BE MOUNTED ON SMALL CERAMIC BEADS 650024, 2 PER LEAD.

THE FOLLOWING COMPONENTS TO BE MOUNTED ALSO ON CERAMIC BEADS: 1 PER LEAD: D1 D2

N.B. CLASS READ BOOKS FITTED TO EACH LEG OF THE FOLLOWING COMPONENTS: C4 C6 C7 C18 C19 C21 C22 C31 C34 C36 C38 C40 C41 C42 C43

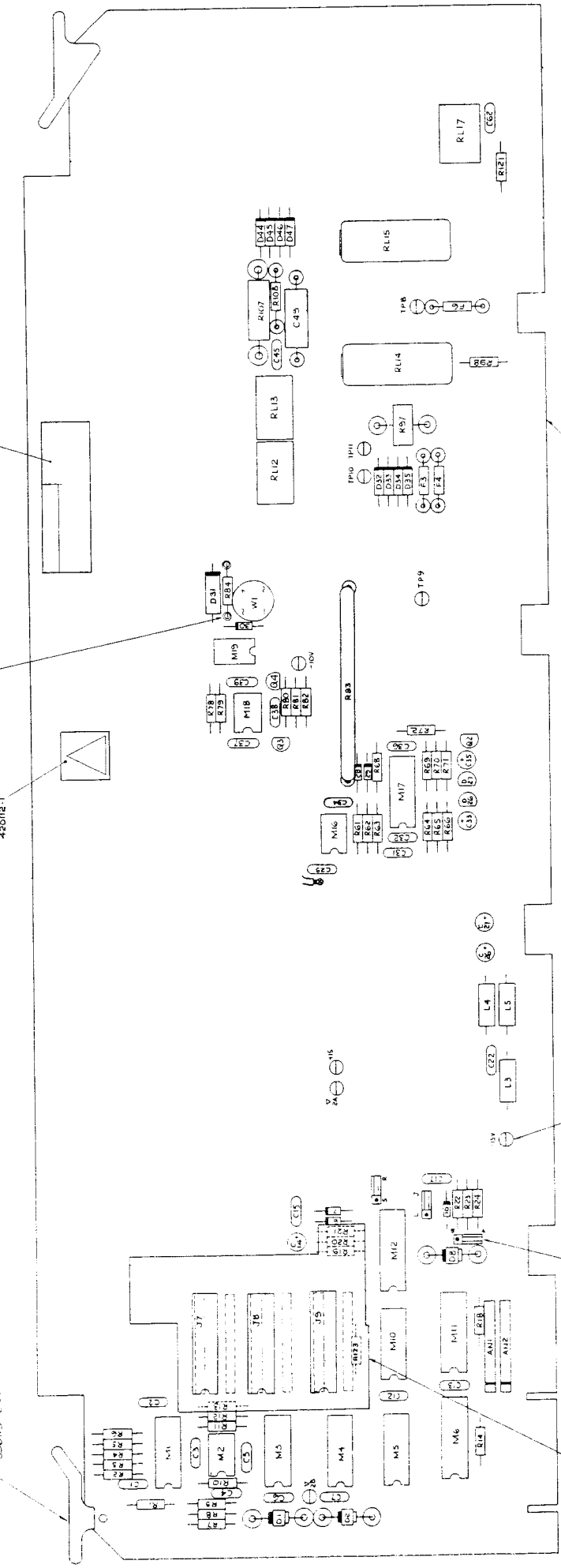
MOUNTING JCS		
NP WAYS	PART NO	USED TO MOUNT
8	650055	M2 16 18 19
14	650060	M1 3 4 5 10 11
16	650061	M4 11 12
20	650070	M3 7 8 5

MONITOR BOARD EJECTION (CHANGE) 650115, 2 PER

SSD LABEL 420012

MOUNT R84 ON FSV TERMINALS 602001, 2 PER

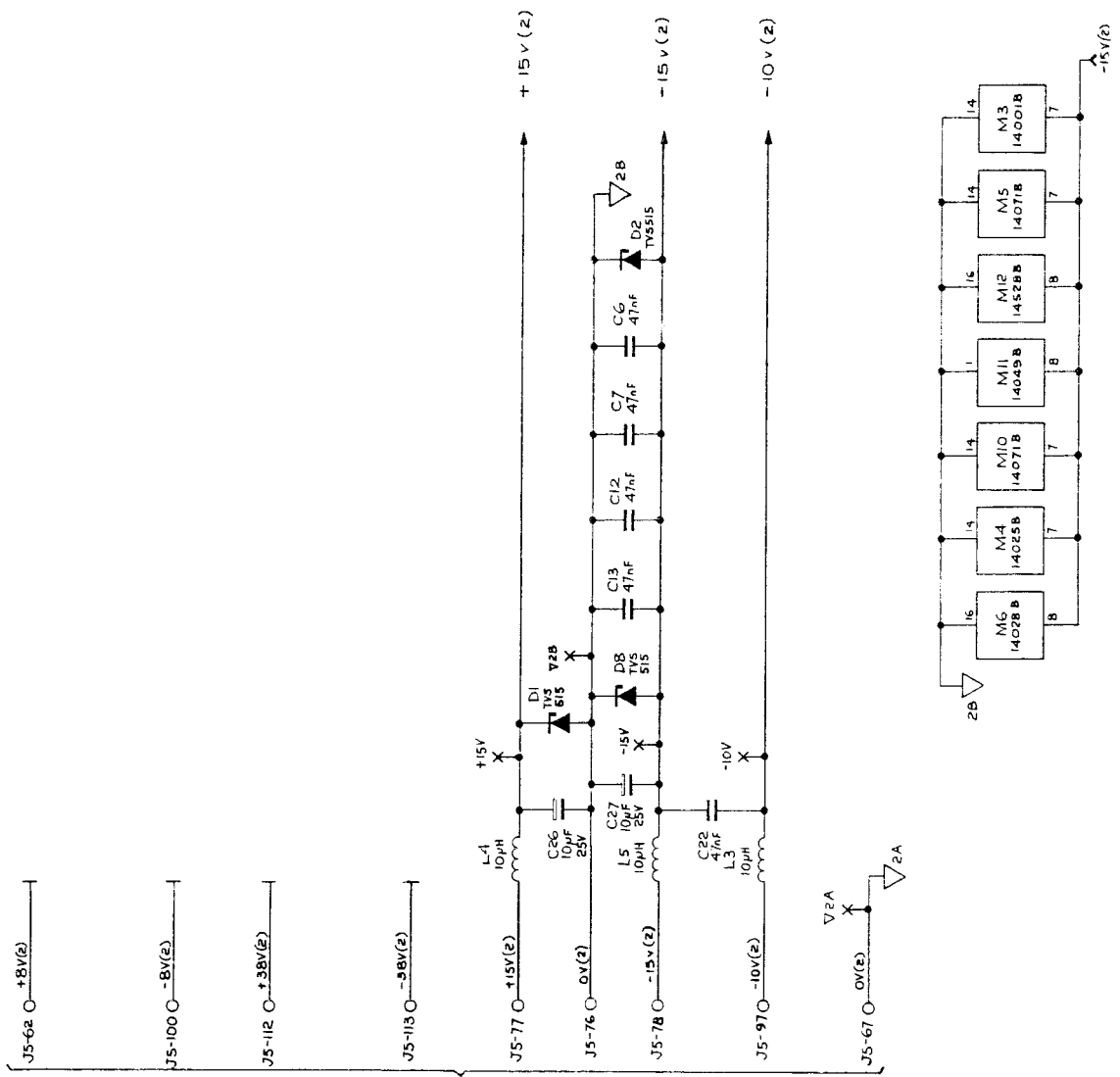
SERIAL NO LABEL 420058



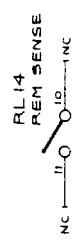
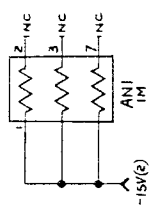
TEST POINT TERMINAL 620007, 7 PER

DC CLAMP ASSY 400666

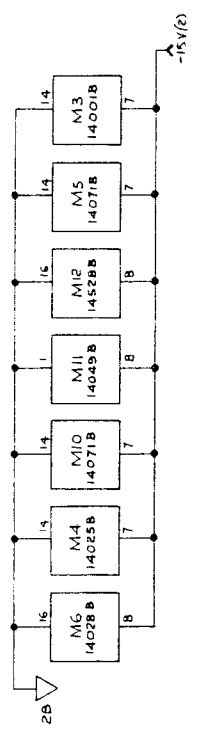
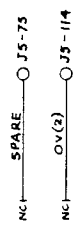
3 WAY J16 PLUS PLUS 650046, 6 PER  
PIT 2 WAY J17 SHORTING DATA 650127  
IN POSITIONS J18 J19 AND J19



TO J5  
MOTHER  
PCB  
430604



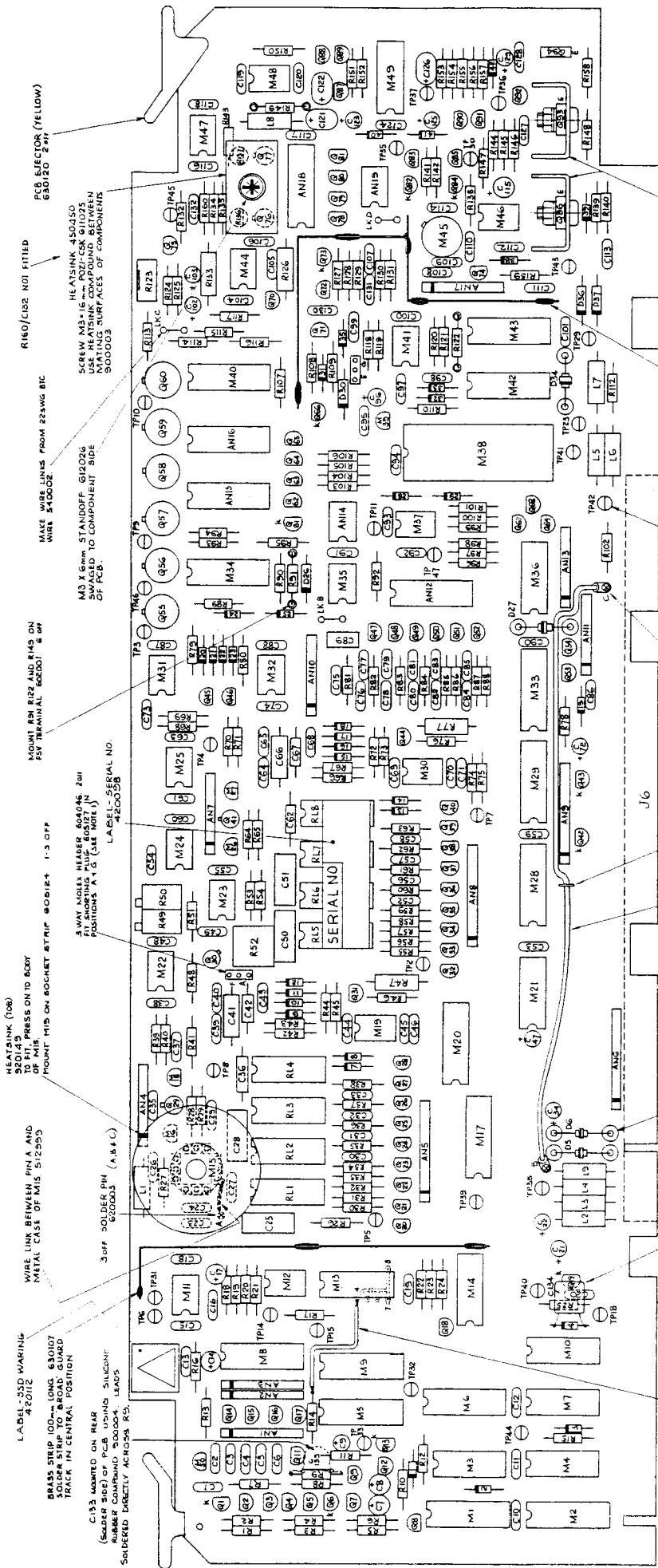
SPARES



OUTPUT CONTROL ASSEMBLY  
Power Supplies  
Circuit Diagram No. DC400909-1.0 Sheet 3

**SINE SOURCE ASSEMBLY**

NOTE: RT LINK 'E' AND LINK 'F' IN P  
LINK 'A' AND LINK 'G' FOR T



HEATSINK (106)  
250149  
TO FIT, PRESS ON TO BODY  
OF MIP. PRESS ON TO BODY  
POINT MID ON SOCKET STRIP  
600014 1-3 OFF

WIRE LINK BETWEEN PIN A AND  
METAL CASE OF M15 512955

LABEL - 3SD MARKING  
BRASS STRIP 0.008" LONG 630127  
ON BOARD IN CENTRAL POSITION

C-133 MOUNTED ON REAR  
(SOLDER SIDE) OF PCB USING SILICONE  
RUBBER COMPOUND 900004. LEADS  
SOLDERED DIRECTLY ACROSS R5.

3 WAY MOLEX HEADER 604046 201  
POSITIONS 'A', 'G' (SEE NOTE J)  
LABEL - SERIAL NO.  
420058

MOUNT RMI R22 AND R45 ON  
F5V TERMINAL 600001 6 OH

3.0PF SOLDER PHW  
620003 (A,B,C)

MAKE WIRE LINKS FROM 22AWG BIC  
WIRE 540002

HEATSINK 450150  
USE HEATSINK COMPOUND BETWEEN  
SURFACES OF COMPONENTS  
900003

R160/C162 NOT FITTED

PCB SELECTOR (YELLOW)

HEATSINK 10220 920089  
SCREW M3x6mm 60014AN 61010G 20pf  
M3 SHIM 60014 61002 20pf  
M3 NUT 61002 20pf

NB USE HEATSINK COMPOUND 900003  
AND HEATSINK MOUNT THESE DEVICES  
SQUARELY ON HEATSINKS

BRASS STRIP (IN 2 LOCATIONS)  
STRIPS TO 'BROAD' GUARD TRACK  
IN CENTRAL POSITION

REMOVE EACH END OF  
THIS WIRE 1/2 PRICE OF  
SLEEPING 550001

TEST POINT TERMINAL  
600007 3E OH

THREE COPPER WIRE  
LOOP 500022 TO  
RESTRAIN PIPE JOINT

WIRE LINK 7/0 2mm PTFE  
WHITE WIRE 512955

MOUNT C154 ON TOP  
OF COMPS. SHOWN

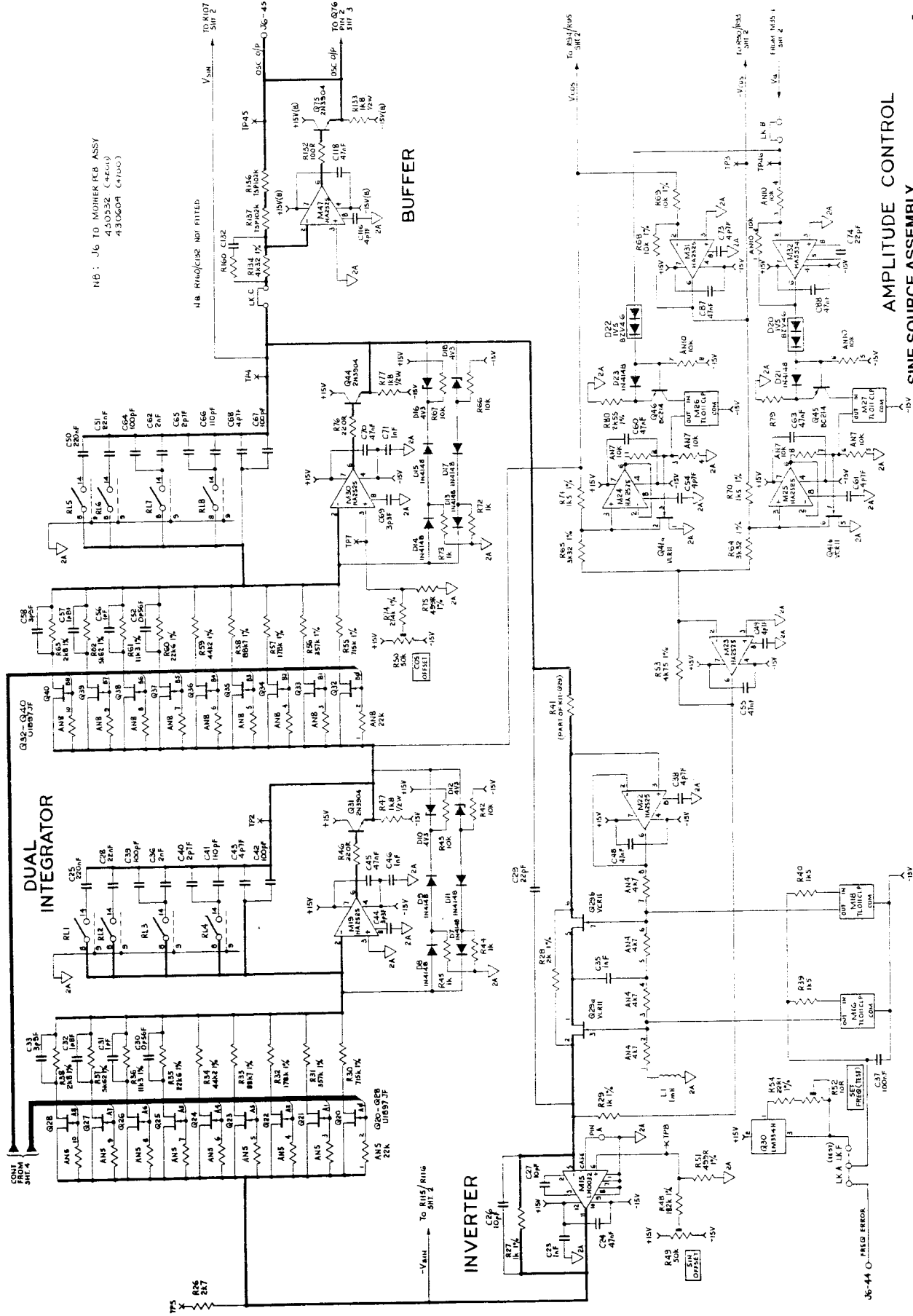
PCB 410717- 5

1/4 P14 P15 BLACK WIRE BETWEEN  
P14 AND P15 PH4 240026  
CUT TRACK TO M15 PH 4 ON SOLDER SIDE  
OF BOARD. AS SHOWN

MOUNTING IC's		
NO. OF WIRTS	PART NO.	WHERE USED
8	605055	M11 M12 M13 M14 M15 M16 M17 M18 M19 M20 M21 M22 M23 M24 M25 M26 M27 M28 M29 M30 M31 M32 M33 M34 M35 M36 M37 M38 M39 M40 M41 M42 M43 M44 M45 M46 M47 M48 M49 M50 M51 M52 M53 M54 M55 M56 M57 M58 M59 M60 M61 M62 M63 M64 M65 M66 M67 M68 M69 M70 M71 M72 M73 M74 M75 M76 M77 M78 M79 M80 M81 M82 M83 M84 M85 M86 M87 M88 M89 M90 M91 M92 M93 M94 M95 M96 M97 M98 M99 M100
14	605060	M1 M2 M3 M4 M5 M6 M7 M8 M9 M10 M11 M12 M13 M14 M15 M16 M17 M18 M19 M20 M21 M22 M23 M24 M25 M26 M27 M28 M29 M30 M31 M32 M33 M34 M35 M36 M37 M38 M39 M40 M41 M42 M43 M44 M45 M46 M47 M48 M49 M50 M51 M52 M53 M54 M55 M56 M57 M58 M59 M60 M61 M62 M63 M64 M65 M66 M67 M68 M69 M70 M71 M72 M73 M74 M75 M76 M77 M78 M79 M80 M81 M82 M83 M84 M85 M86 M87 M88 M89 M90 M91 M92 M93 M94 M95 M96 M97 M98 M99 M100
16	605061	M1 M2 M3 M4 M5 M6 M7 M8 M9 M10 M11 M12 M13 M14 M15 M16 M17 M18 M19 M20 M21 M22 M23 M24 M25 M26 M27 M28 M29 M30 M31 M32 M33 M34 M35 M36 M37 M38 M39 M40 M41 M42 M43 M44 M45 M46 M47 M48 M49 M50 M51 M52 M53 M54 M55 M56 M57 M58 M59 M60 M61 M62 M63 M64 M65 M66 M67 M68 M69 M70 M71 M72 M73 M74 M75 M76 M77 M78 M79 M80 M81 M82 M83 M84 M85 M86 M87 M88 M89 M90 M91 M92 M93 M94 M95 M96 M97 M98 M99 M100
28	605065	M1 M2 M3 M4 M5 M6 M7 M8 M9 M10 M11 M12 M13 M14 M15 M16 M17 M18 M19 M20 M21 M22 M23 M24 M25 M26 M27 M28 M29 M30 M31 M32 M33 M34 M35 M36 M37 M38 M39 M40 M41 M42 M43 M44 M45 M46 M47 M48 M49 M50 M51 M52 M53 M54 M55 M56 M57 M58 M59 M60 M61 M62 M63 M64 M65 M66 M67 M68 M69 M70 M71 M72 M73 M74 M75 M76 M77 M78 M79 M80 M81 M82 M83 M84 M85 M86 M87 M88 M89 M90 M91 M92 M93 M94 M95 M96 M97 M98 M99 M100

NB. Q1-A35 BEAD 630254. MOUNTED ON EACH LEG.  
C15 C16 C24 C45 C48 C53 C55 C56 C60  
C61 C62 C67 C68 C69 C70 C71 C72 C73 C74 C75  
C76 C77 C78 C79 C80 C81 C82 C83 C84 C85  
C86 C87 C88 C89 C90 C91 C92 C93 C94 C95 C96  
C97 C98 C99 C100





HD: J6 TO MOHREK PCB ASSY  
4300352 (REV01)  
4300604 (REV01)

U1A, R140/C132 NOT FITTED

**BUFFER**

**AMPLITUDE CONTROL**

**SINE SOURCE ASSEMBLY**

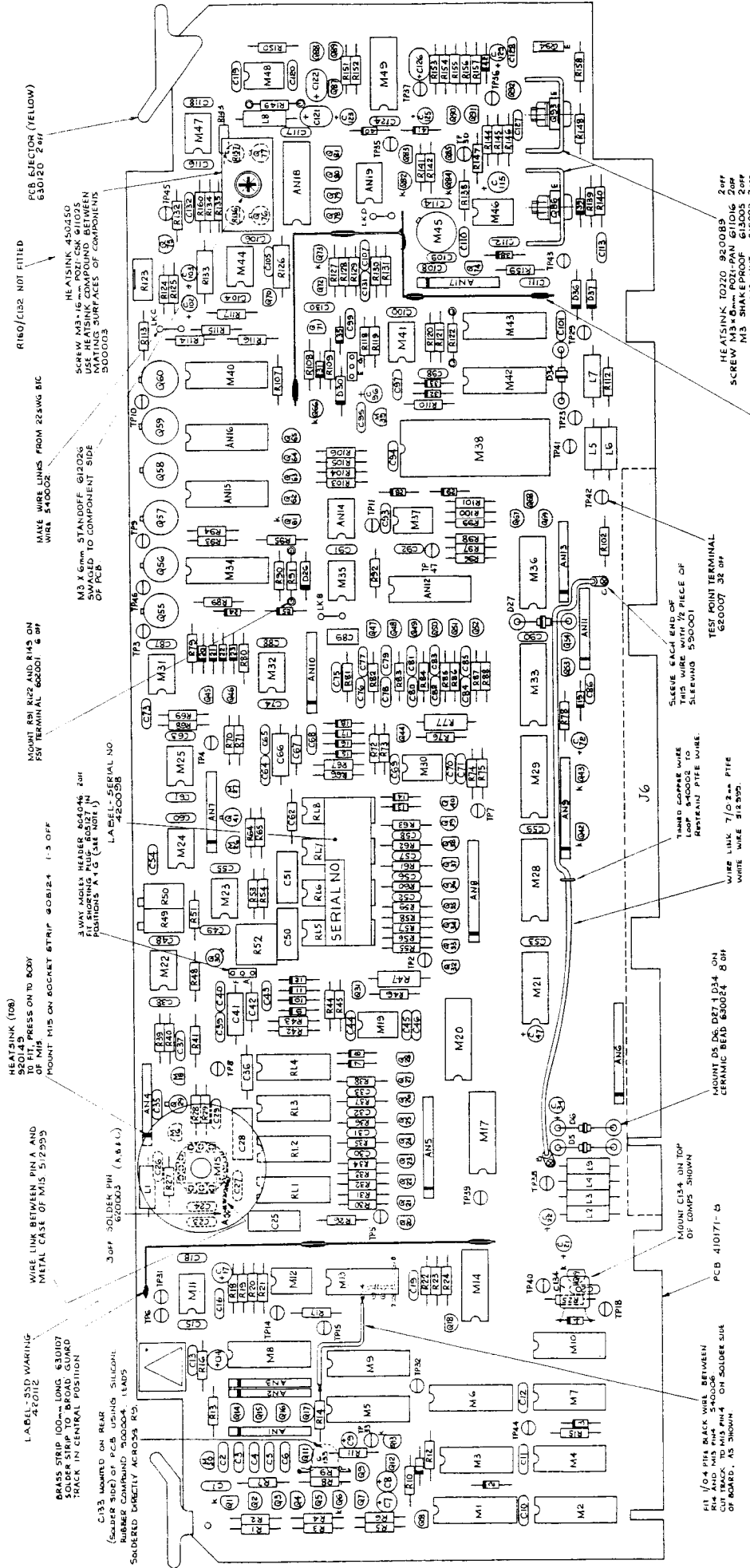
Sine Oscillator

**FREQUENCY CONTROL**

Circuit Diagram No. 430446-11.0 Sheet 1

**SINE SOURCE ASSEMBLY**

NOTE: FIT LINK P AND LINK F IN P  
LINK R AND LINK S FOR 1



HEAT SINK (TOB)  
920143  
PRESS ON TO BODY  
OF M15  
MOUNT THIS ON SOCKET STRIP 608124 1-3 OFF

WIRE LINK BETWEEN PIN A AND  
METAL CASE OF M15 512955

HEAT SINK TOZZO 9200B9 2 off  
SCREW M3x0.6mm POZIDRIP 61006 2 off  
M3 SHIM 61007 2 off  
M3 NUT 615002 2 off  
N.B. USE HEAT SINK COMPOUND 800003  
AND HEAT SINK MOUNT THESE DEVICES  
SQUARELY ON HEAT SINKS

HEAT SINK TOZZO 9200B9 2 off  
SCREW M3x0.6mm POZIDRIP 61006 2 off  
M3 SHIM 61007 2 off  
M3 NUT 615002 2 off  
N.B. USE HEAT SINK COMPOUND 800003  
AND HEAT SINK MOUNT THESE DEVICES  
SQUARELY ON HEAT SINKS

HEAT SINK TOZZO 9200B9 2 off  
SCREW M3x0.6mm POZIDRIP 61006 2 off  
M3 SHIM 61007 2 off  
M3 NUT 615002 2 off  
N.B. USE HEAT SINK COMPOUND 800003  
AND HEAT SINK MOUNT THESE DEVICES  
SQUARELY ON HEAT SINKS

HEAT SINK TOZZO 9200B9 2 off  
SCREW M3x0.6mm POZIDRIP 61006 2 off  
M3 SHIM 61007 2 off  
M3 NUT 615002 2 off  
N.B. USE HEAT SINK COMPOUND 800003  
AND HEAT SINK MOUNT THESE DEVICES  
SQUARELY ON HEAT SINKS

HEAT SINK TOZZO 9200B9 2 off  
SCREW M3x0.6mm POZIDRIP 61006 2 off  
M3 SHIM 61007 2 off  
M3 NUT 615002 2 off  
N.B. USE HEAT SINK COMPOUND 800003  
AND HEAT SINK MOUNT THESE DEVICES  
SQUARELY ON HEAT SINKS

HEAT SINK TOZZO 9200B9 2 off  
SCREW M3x0.6mm POZIDRIP 61006 2 off  
M3 SHIM 61007 2 off  
M3 NUT 615002 2 off  
N.B. USE HEAT SINK COMPOUND 800003  
AND HEAT SINK MOUNT THESE DEVICES  
SQUARELY ON HEAT SINKS

HEAT SINK TOZZO 9200B9 2 off  
SCREW M3x0.6mm POZIDRIP 61006 2 off  
M3 SHIM 61007 2 off  
M3 NUT 615002 2 off  
N.B. USE HEAT SINK COMPOUND 800003  
AND HEAT SINK MOUNT THESE DEVICES  
SQUARELY ON HEAT SINKS

HEAT SINK TOZZO 9200B9 2 off  
SCREW M3x0.6mm POZIDRIP 61006 2 off  
M3 SHIM 61007 2 off  
M3 NUT 615002 2 off  
N.B. USE HEAT SINK COMPOUND 800003  
AND HEAT SINK MOUNT THESE DEVICES  
SQUARELY ON HEAT SINKS

HEAT SINK TOZZO 9200B9 2 off  
SCREW M3x0.6mm POZIDRIP 61006 2 off  
M3 SHIM 61007 2 off  
M3 NUT 615002 2 off  
N.B. USE HEAT SINK COMPOUND 800003  
AND HEAT SINK MOUNT THESE DEVICES  
SQUARELY ON HEAT SINKS

HEAT SINK TOZZO 9200B9 2 off  
SCREW M3x0.6mm POZIDRIP 61006 2 off  
M3 SHIM 61007 2 off  
M3 NUT 615002 2 off  
N.B. USE HEAT SINK COMPOUND 800003  
AND HEAT SINK MOUNT THESE DEVICES  
SQUARELY ON HEAT SINKS

HEAT SINK TOZZO 9200B9 2 off  
SCREW M3x0.6mm POZIDRIP 61006 2 off  
M3 SHIM 61007 2 off  
M3 NUT 615002 2 off  
N.B. USE HEAT SINK COMPOUND 800003  
AND HEAT SINK MOUNT THESE DEVICES  
SQUARELY ON HEAT SINKS

HEAT SINK TOZZO 9200B9 2 off  
SCREW M3x0.6mm POZIDRIP 61006 2 off  
M3 SHIM 61007 2 off  
M3 NUT 615002 2 off  
N.B. USE HEAT SINK COMPOUND 800003  
AND HEAT SINK MOUNT THESE DEVICES  
SQUARELY ON HEAT SINKS

HEAT SINK TOZZO 9200B9 2 off  
SCREW M3x0.6mm POZIDRIP 61006 2 off  
M3 SHIM 61007 2 off  
M3 NUT 615002 2 off  
N.B. USE HEAT SINK COMPOUND 800003  
AND HEAT SINK MOUNT THESE DEVICES  
SQUARELY ON HEAT SINKS

HEAT SINK TOZZO 9200B9 2 off  
SCREW M3x0.6mm POZIDRIP 61006 2 off  
M3 SHIM 61007 2 off  
M3 NUT 615002 2 off  
N.B. USE HEAT SINK COMPOUND 800003  
AND HEAT SINK MOUNT THESE DEVICES  
SQUARELY ON HEAT SINKS

MOUNTING IC-4

NO. OF WIRTS	PART NO.	WHERE USED
8	605059	M11 M15 M22-25 M40 M41 M42 M43 M47
14	605060	M41 M44 M46 M47 M48 M52
16	605061	M3 M4 M7 M10 M13 M14 M21 M26 M49
28	605065	M1 M2 M5 M6 M8 M9 M17 M20 M28 M29 M33 M34 M40 M42 M43

WIRE LINK 7/0.2mm PTFE  
TAMPO COPPER WIRE  
LOOP 840002 TO  
REINFORCE PTFE WIRE.

WIRE LINK 7/0.2mm PTFE  
TAMPO COPPER WIRE  
LOOP 840002 TO  
REINFORCE PTFE WIRE.

WIRE LINK 7/0.2mm PTFE  
TAMPO COPPER WIRE  
LOOP 840002 TO  
REINFORCE PTFE WIRE.

Instrument Serial Number

24824-6

This advice sheet applies only to the Instrument whose serial number is given above.

**AC Outputs - Improvement to Frequency Control System**

Section 11.6 contains the layout and circuit diagrams of the Sine Source Assembly.

This addendum changes pages 11.6-1 to 11.6-5, and associated component lists in Section 12, dealing with the introduction of an integrated VCO chip to replace the discrete VCO previously used, and modifications to the associated circuitry.

This upgrade improves the reliability and maintainability of the Digital Frequency Synthesizer by reducing the critical component count and easing fault diagnosis.

Contract No. F33659-90-C0065 specifies AC voltage (Option 20) and AC Current (Option 30) functions only. Therefore this addendum is pertinent to the contract

The above minor changes are detailed below.

**Minor Revision**

Amend the affected pages as follows:

Section	Pages	Description	Action
11	11.6-1 ) to ) 11.6-5 )	Sine Source Assembly	Delete the five pages, and substitute the attached five new pages 11.6-1 to 11.6-5
12	400446 Sheets 1-27	Sine Source Assembly	Delete the 27 pages. Substitute the attached: LD400446-11.5 Sheet 1 and LP400446-11.5 Pages 1-12

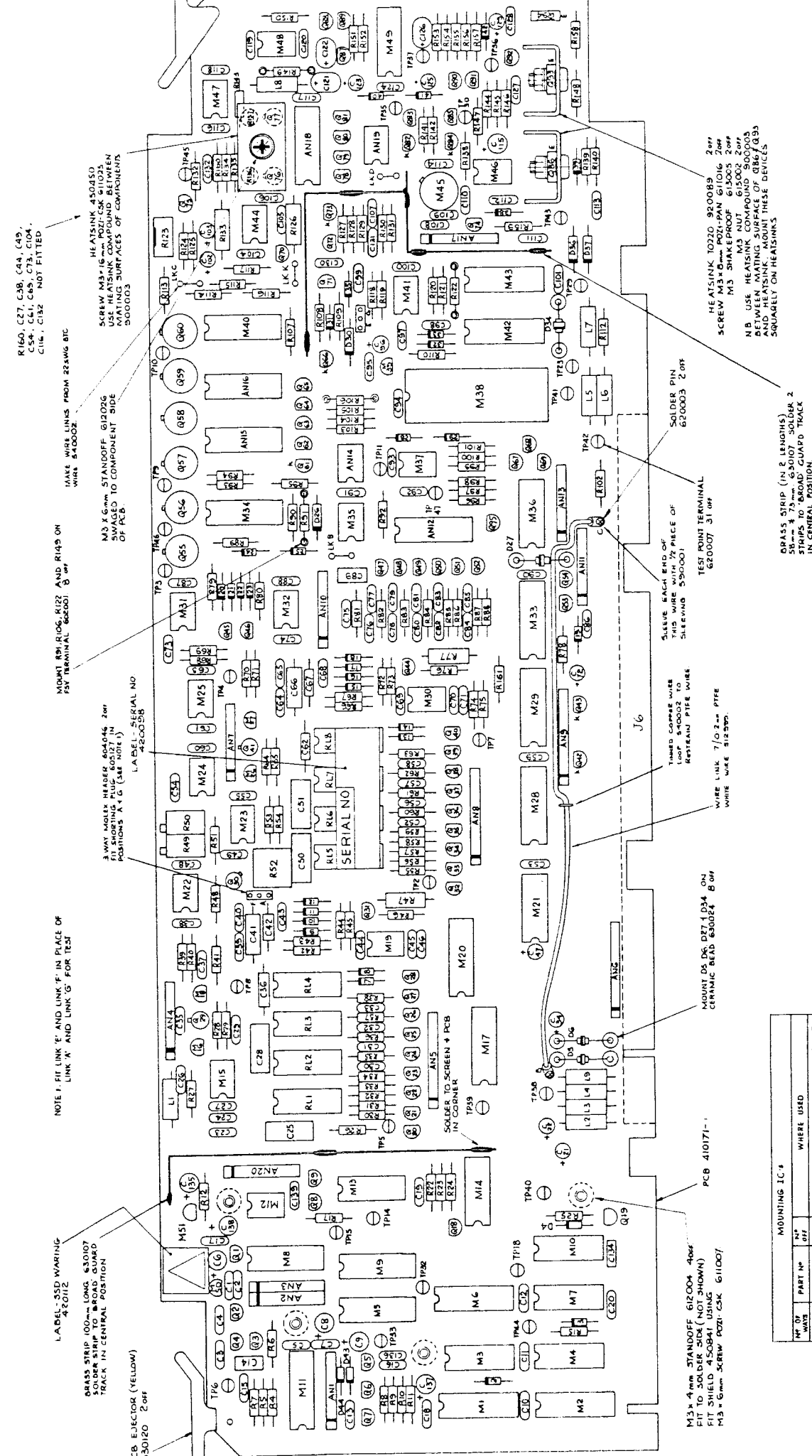
Checked by:

Date:

22 Oct May '92







HEATSINK 4504150  
 SCREW M3x0.5mm  
 MOUNTING SURFACES OF COMPONENTS  
 MOUNTING SURFACES OF COMPONENTS  
 5000003

R160, C27, C38, C44, C49,  
 C54, C57, C68, C73, C104,  
 C107, C132 NOT FITTED.

HEATSINK TO220 9200089 2off  
 SCREW M3x0.5mm PZ1-PAN 6101016 2off  
 M3 SHAKEPROOF 6130053 2off  
 M3 M3 MULTIPROOF 6150055 2off  
 NB USE HEATSINK MOUNTING SURFACES  
 BETWEEN MOUNTING SURFACES OF Q867/Q93  
 AND HEATSINK. MOUNT THESE DEVICES  
 SQUARELY ON HEATSINKS.

MAKE WIRE LINKS FROM 22AWG BIC  
 WIRE 8420028

M3 X 6mm STANDOFF 6102026  
 SWAGED TO COMPONENT SIDE  
 OF PCB.

BRASS STRIP (IN 8 LEMISH) 5  
 ON 2 - GAUDED SOLDER 2  
 STRIPS TO "BROAD" GUARD TRACK  
 IN CENTRAL POSITION

MOUNT 891, R106, R122 AND R143 ON  
 P57 TERMINAL 860011 8 off

3 WAY WIRE HEADER 804046 2off  
 MOUNTING SURFACE IN  
 POSITION 8, 9, (SEE NOTE 1)  
 LABEL - SERIAL NO  
 4200598

WIRE LINK 7/0 2 - PTFE  
 WIRE WIRE 512599.

MOUNT DS DC DR 4 D34 4off  
 CERAMIC BEAD 630024 8 off

TEST POINT TERMINAL  
 620007 31 off

SOLDER EACH END OF  
 THIS WIRE WITH 72 PIECE OF  
 SLEEVING 590001

TIMED COPPER WIRE  
 RESTRAIN PTFE WIRE

SOLDER TO SCREEN + PCB  
 IN CORNER

PCB 410171-1

PCB EJECTOR (YELLOW)  
 650120 2off

BRASS STRIP 100mm LONG 840107  
 SOLDER STRIP TO BROAD GUARD  
 TRACK IN CENTRAL POSITION

NOTE 1: FIT LINK 'E' AND LINK 'F' IN PLACE OF  
 LINK 'X' AND LINK 'G' FOR TEST

BRASS STRIP 100mm LONG 840107  
 SOLDER STRIP TO BROAD GUARD  
 TRACK IN CENTRAL POSITION

PCB EJECTOR (YELLOW)  
 650120 2off

PCB EJECTOR (YELLOW)  
 650120 2off

BRASS STRIP 100mm LONG 840107  
 SOLDER STRIP TO BROAD GUARD  
 TRACK IN CENTRAL POSITION

NOTE 1: FIT LINK 'E' AND LINK 'F' IN PLACE OF  
 LINK 'X' AND LINK 'G' FOR TEST

3 WAY WIRE HEADER 804046 2off  
 MOUNTING SURFACE IN  
 POSITION 8, 9, (SEE NOTE 1)  
 LABEL - SERIAL NO  
 4200598

MOUNT 891, R106, R122 AND R143 ON  
 P57 TERMINAL 860011 8 off

MAKE WIRE LINKS FROM 22AWG BIC  
 WIRE 8420028

M3 X 6mm STANDOFF 6102026  
 SWAGED TO COMPONENT SIDE  
 OF PCB.

HEATSINK 4504150  
 SCREW M3x0.5mm  
 MOUNTING SURFACES OF COMPONENTS  
 MOUNTING SURFACES OF COMPONENTS  
 5000003

R160, C27, C38, C44, C49,  
 C54, C57, C68, C73, C104,  
 C107, C132 NOT FITTED.

HEATSINK TO220 9200089 2off  
 SCREW M3x0.5mm PZ1-PAN 6101016 2off  
 M3 SHAKEPROOF 6130053 2off  
 M3 M3 MULTIPROOF 6150055 2off  
 NB USE HEATSINK MOUNTING SURFACES  
 BETWEEN MOUNTING SURFACES OF Q867/Q93  
 AND HEATSINK. MOUNT THESE DEVICES  
 SQUARELY ON HEATSINKS.

PCB 410171-1

MOUNT DS DC DR 4 D34 4off  
 CERAMIC BEAD 630024 8 off

TIMED COPPER WIRE  
 RESTRAIN PTFE WIRE

SOLDER EACH END OF  
 THIS WIRE WITH 72 PIECE OF  
 SLEEVING 590001

TEST POINT TERMINAL  
 620007 31 off

SOLDER TO SCREEN + PCB  
 IN CORNER

MOUNT 891, R106, R122 AND R143 ON  
 P57 TERMINAL 860011 8 off

MAKE WIRE LINKS FROM 22AWG BIC  
 WIRE 8420028

M3 X 6mm STANDOFF 6102026  
 SWAGED TO COMPONENT SIDE  
 OF PCB.

HEATSINK 4504150  
 SCREW M3x0.5mm  
 MOUNTING SURFACES OF COMPONENTS  
 MOUNTING SURFACES OF COMPONENTS  
 5000003

R160, C27, C38, C44, C49,  
 C54, C57, C68, C73, C104,  
 C107, C132 NOT FITTED.

HEATSINK TO220 9200089 2off  
 SCREW M3x0.5mm PZ1-PAN 6101016 2off  
 M3 SHAKEPROOF 6130053 2off  
 M3 M3 MULTIPROOF 6150055 2off  
 NB USE HEATSINK MOUNTING SURFACES  
 BETWEEN MOUNTING SURFACES OF Q867/Q93  
 AND HEATSINK. MOUNT THESE DEVICES  
 SQUARELY ON HEATSINKS.

MOUNTING IC's

MT OF WAVE	PART NO	WHERE USED
B	605059	M40, M41, M42, M43, M44, M45, M46, M47, M48, M49, M50, M51, M52, M53, M54, M55, M56, M57, M58, M59
14	605060	M1, M2, M3, M4, M5, M6, M7, M8, M9, M10, M11, M12, M13, M14, M15, M16, M17, M18, M19, M20, M21, M22, M23, M24, M25, M26, M27, M28, M29, M30, M31, M32, M33, M34, M35, M36, M37, M38, M39, M40
16	605061	M1, M2, M3, M4, M5, M6, M7, M8, M9, M10, M11, M12, M13, M14, M15, M16, M17, M18, M19, M20, M21, M22, M23, M24, M25, M26, M27, M28, M29, M30, M31, M32, M33, M34, M35, M36, M37, M38, M39, M40
78	605065	M1, M2, M3, M4, M5, M6, M7, M8, M9, M10, M11, M12, M13, M14, M15, M16, M17, M18, M19, M20, M21, M22, M23, M24, M25, M26, M27, M28, M29, M30, M31, M32, M33, M34, M35, M36, M37, M38, M39, M40

\* - NOT FITTED

NB: J6 TO MOMENT PCB ASSY  
430532 (4200)  
430609 (4700)

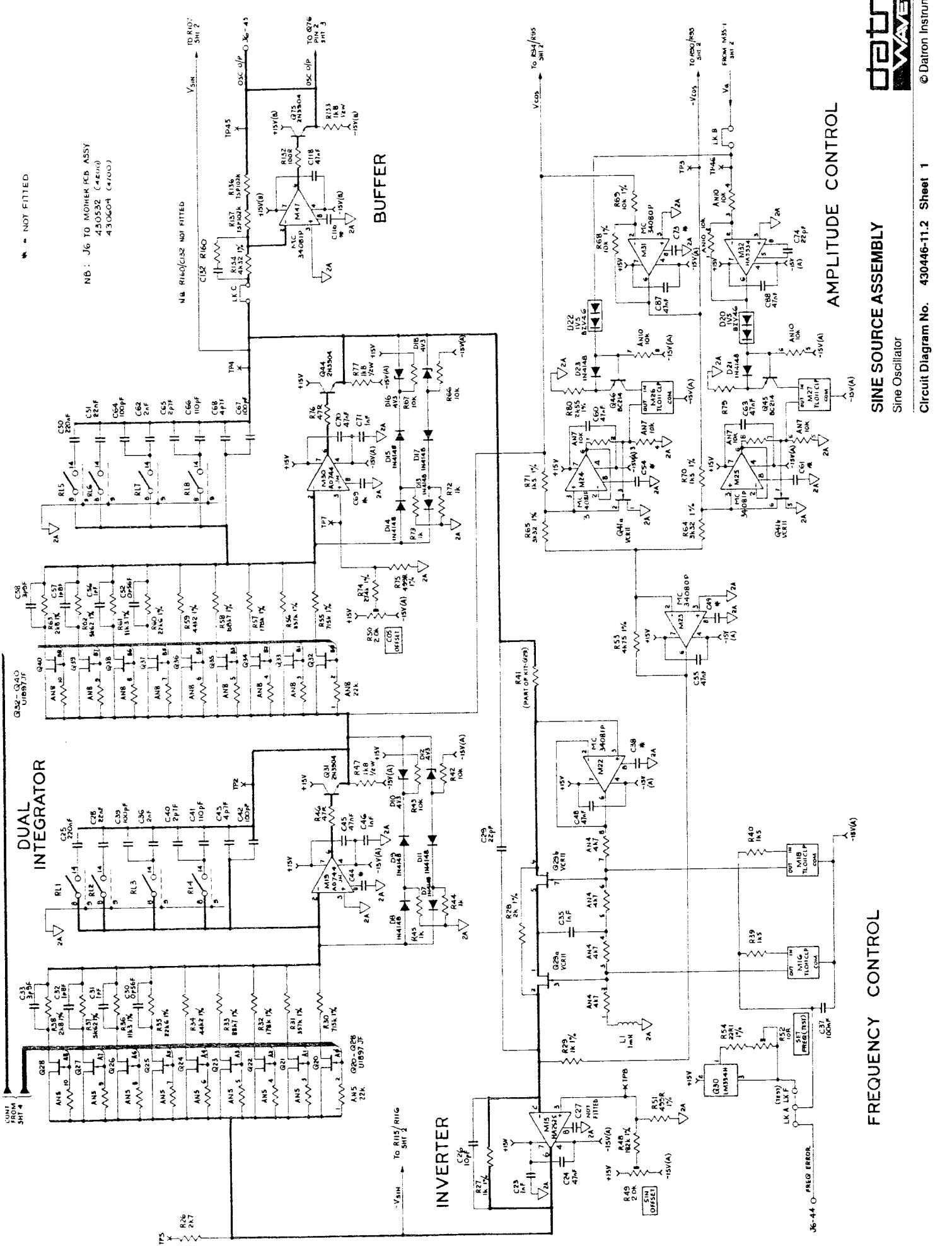
TO R10  
SMT 2

OSC o/p  
SMT 3

TO R3/RES  
SMT 1

TO R50/RES  
SMT 2

FROM MS-1  
SMT 2



### FREQUENCY CONTROL

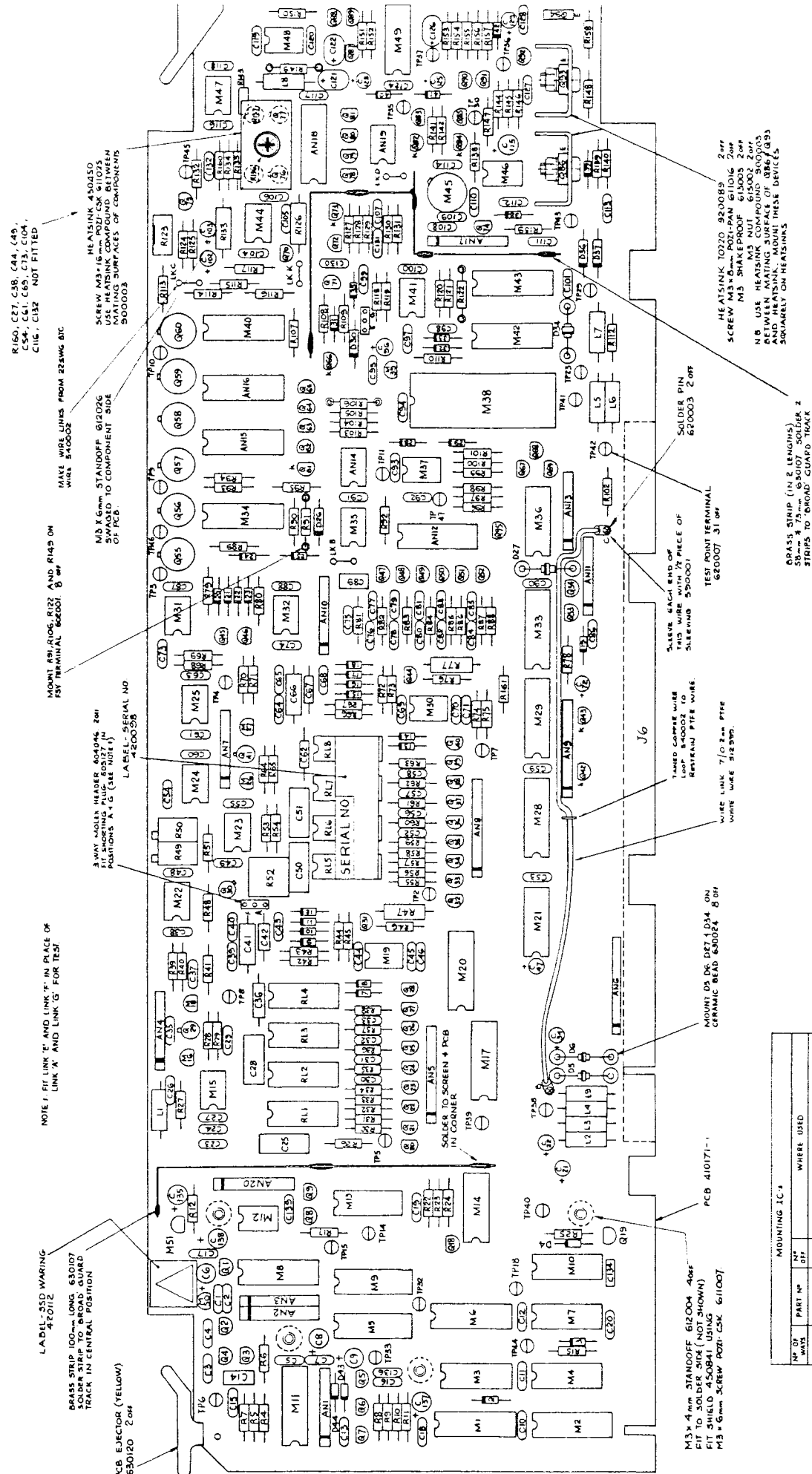
### AMPLITUDE CONTROL

### SINE SOURCE ASSEMBLY

Sine Oscillator



SINE SOURCE ASSEMBLY



R160, C27, C38, C44, C49, C54, C61, C65, C73, C104, C116, C132 NOT FITTED

HEATSINK 404050  
SCREW M3\*16 2.0F  
USE HEATSINK COMPOUND BETWEEN SURFACES OF COMPONENTS 9000003

MAKE WIRE LINKS FROM 22SWG BTC WIRE 640002

M3 X 6mm STANDOFF 612026 SWAGED TO COMPONENT SIDE OF PCB

MOUNT R81, R106, R122 AND R145 ON P57 TERMINAL 620001 8 0F

3 WAY MOLEX HEADER BOARDING 20H POSITIONS A, G (SEE NOTE 1) LABEL-SERIAL NO 620058

NOTE 1: FIT LINK 'F' AND LINK 'F' IN PLACE OF LINK 'A' AND LINK 'G' FOR TEST

LABEL-5SD MARKING 62012

BRASS STRIP 100mm LONG 630107 MARK WITH SOLDER TRACK IN CENTRAL POSITION

PCB EJECTOR (YELLOW) 630120 2 0F

M3 X 4mm STANDOFF 612004 4 0F PIT TO SOLDER SIDE (NOT SHOWN) USE OF SOLDER BRIDGE FOR M3 X 6mm SCREW PZT-2SK 610007

HEATSINK 10220 820089 2 0F SCREW M3\*16 2.0F PAN 610016 2 0F M3 SHAKEPROOF 615005 2 0F M3 NUT 615002 2 0F M3 WASHER 615003 2 0F BETWEEN HEATING SURFACES OF BRASS AND HEATSINK. MOUNT THESE DEVICES SQUARELY ON HEATSINKS

SOLDER PIN 620003 2 0F

TEST POINT TERMINAL 620007 31 0F

SLEEVE EACH END OF THIS WIRE WITH 7/8 PIECE OF SLEEVING 590001

WIRE LINK 7/10 2mm PTFE WIRE WIRE STRIP

BRASS STRIP (IN 2 LENGTHS) 50mm X 75mm 630107 SOLDER 2 STRIPS TO BROAD GUARD TRACK IN CENTRAL POSITION

WIRE LINKS WITH LOOP 640002 TO RETAIN PTFE WIRE

MOUNT D5, D6, D27, D34 ON CERAMIC BEAD 630024 8 0F

PCB 410171-1

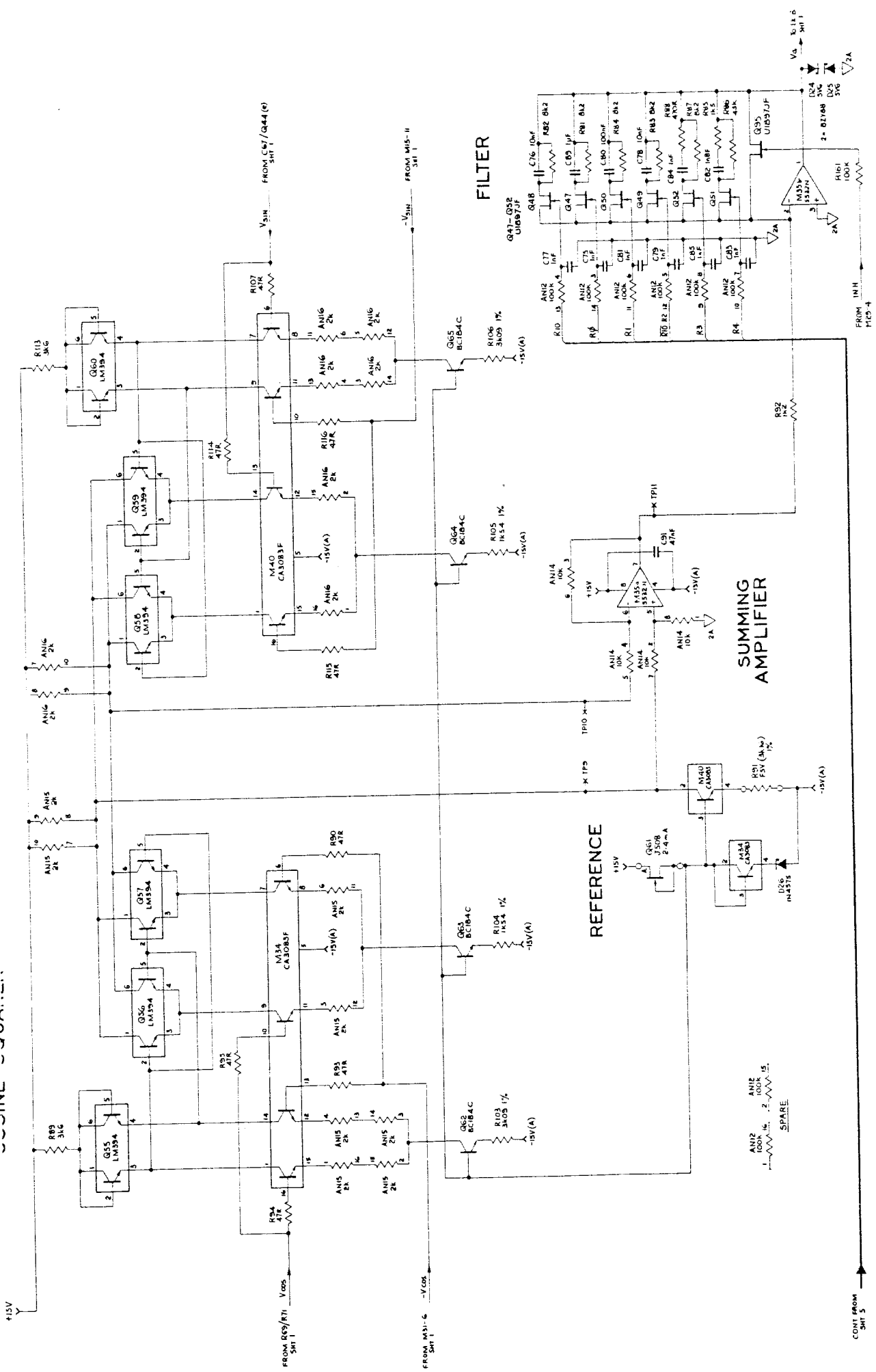
MOUNTING IC #

NO OF MOUNTS	PART NO	WHERE USED
5	605089	M18 M22-E5 M50 M81 M37 M35 M37
14	605060	M41 M44 M46 M47 M48 M12 M15
16	605061	M5 M4 M7 M10 M13 M14 M21 M36 M49
28	605065	M1 M2 M3 M6 M8 M9 M17 M20 M28 M25



SC YER

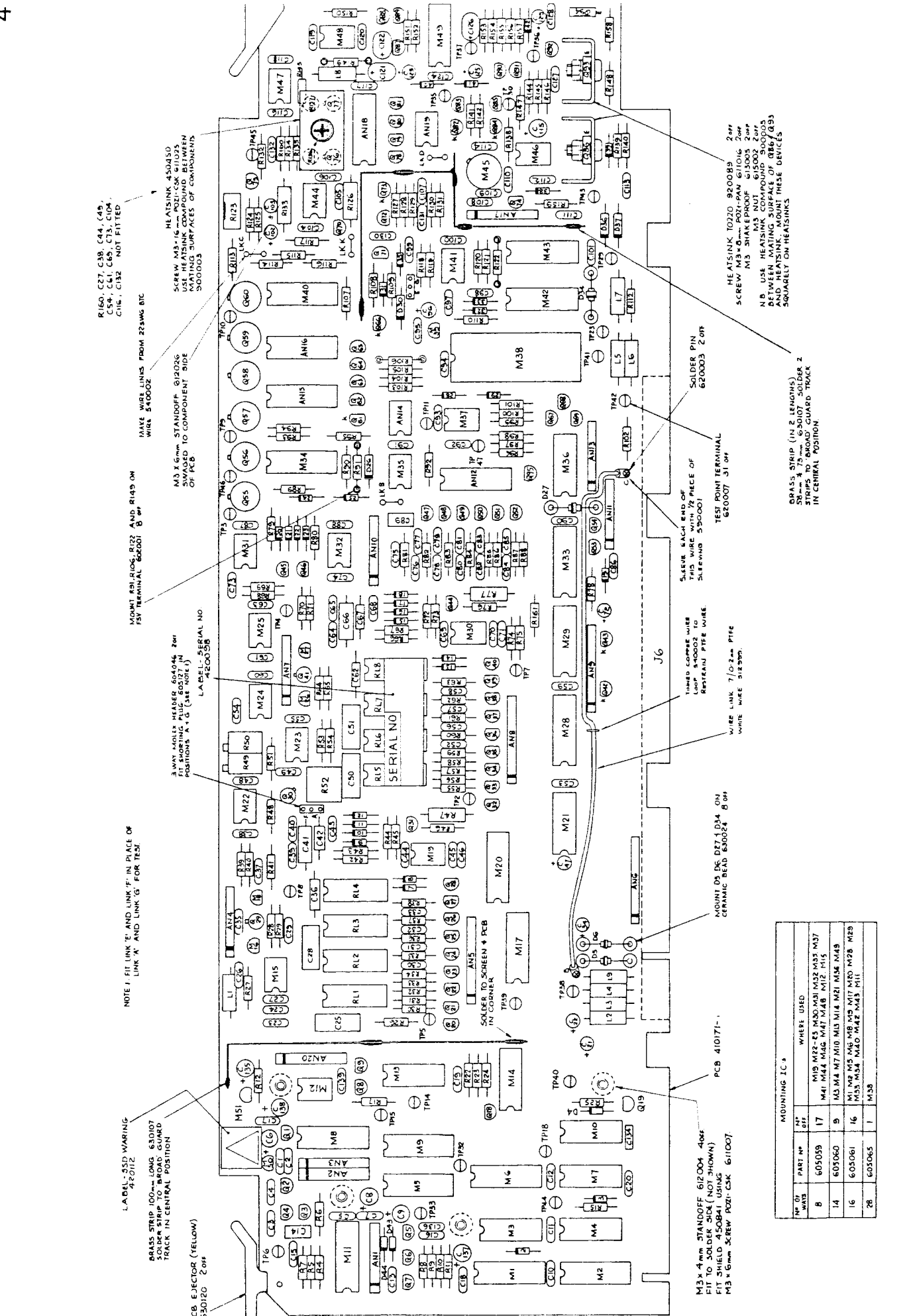
UUA...



**SINE SOURCE ASSEMBLY**  
Oscillator Amplitude Detector and Reference



SINE SOURCE ASSEMBLY



R160, C27, C38, C44, C49, C54, C61, C65, C73, C104, C116, C132 NOT FITTED

HEATSIINK 450040  
SCREW M3x6mm PZU-PAW 610106 2off  
USE HEATSIINK COMPOUND BETWEEN MATING SURFACES OF COMPONENTS 620003

MAKE WIRE LINKS FROM 22SWG BIC WIRE 540002

M3x4mm STANDOFF 612006 SWAGED TO COMPONENT SIDE OF PCB

MOUNT R1,R10,C,R122 AND R149 ON FSJ TERMINAL 620007 8 off

3WAY JUMPER HEADER 604046 2off  
MOUNTING IN 1, 2, 3 (SEE NOTE J) POSITIONS 4, 5 (SEE NOTE J)

LABEL SERIAL NO 4200358

NOTE 1: FIT LINK 'E' AND LINK 'F' IN PLACE OF LINK 'A' AND LINK 'G' FOR TEST.

LABEL 55D MARKING 420112

BRASS STRIP 100mm LONG 63007 SOLDER STRIP TO BRASS GUARD TRACK IN CENTRAL POSITION

PCB EJECTOR (YELLOW) 630120 2 off

SOLDER TO SCREEN + PCB IN CORNER

M3x4mm STANDOFF 612004 4off  
FIT SOLID 450041 (NOT SHOWN)  
M3x6mm SCREW PZU-CSK 610007

MOUNT D6,D6,D67,D634 ON CERAMIC BEAD 630024 8 off

TIMED COPPER WIRE THIS WIRE WITH 1/2 PIECE OF SLEWING 590001 RESTRAIN PTFE WIRE

WIRE LINK 7/102mm PTFE WIRE WIRE SLEWING

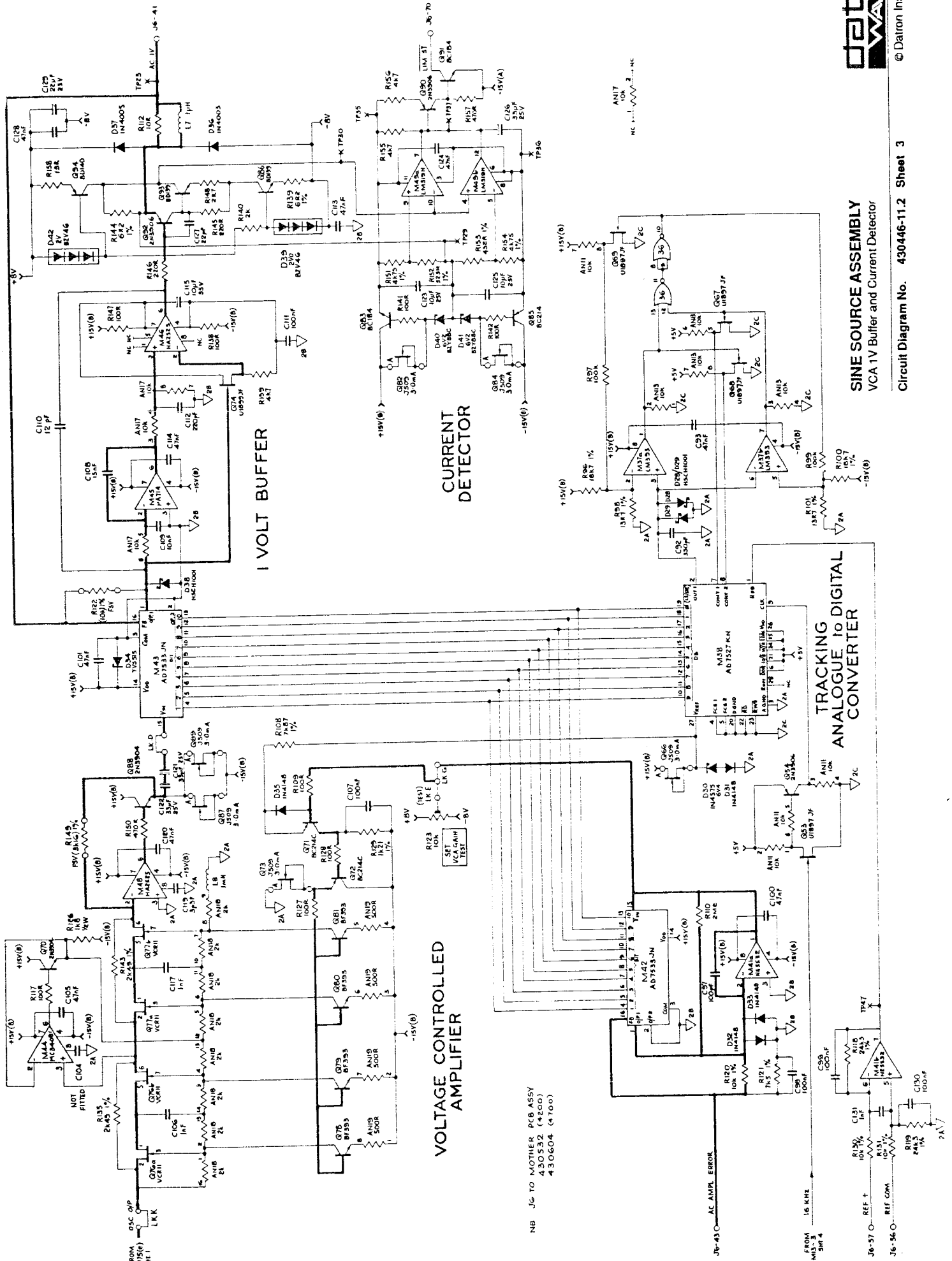
SOLDER PIN 620003 2 off

TEST POINT TERMINAL 620007 31 off

HEATSIINK T0220 820089 2 off  
SCREW M3x6mm PZU-PAW 610106 2off  
M3 SHAKEPROOF 613005 2off  
N.B. USE HEATSIINK M3 NUT 615002 2off BETWEEN MATING SURFACE OF 0801093 AND HEATSIINK. MOUNT THESE DEVICES SQUARELY ON HEATSIINKS

BRASS STRIP (IN 2 LENGTHS) 58mm x 4.75mm 630107 SOLDER 2 STRIPS TO BRASS GUARD TRACK IN CENTRAL POSITION

MOUNTING IC 4		
MP OFF	PART #	WHERE USED
B	605059	M18, M22, P5, M30, M31, M32, M33, M37
I4	605060	M41, M44, M46, M47, M48, M12, M15
I6	605061	M3, M4, M7, M10, M13, M14, M21, M56, M48
Z8	605065	M1, M2, M5, M6, M8, M9, M17, M19, M20, M28, M29, M33, M34, M40, M42, M43, M11



**SINE SOURCE ASSEMBLY**  
 VCA 1V Buffer and Current Detector

Circuit Diagram No. 430446-11.2 Sheet 3

**VOLTAGE CONTROLLED AMPLIFIER**

**I VOLT BUFFER**

**CURRENT DETECTOR**

**TRACKING TO DIGITAL ANALOGUE CONVERTER**

**TRACKING TO DIGITAL CONVERTER**

NB J6 TO MOTHER PCB ASSY  
 430532 (+200)  
 430604 (+700)

FROM M13-5 SH-4  
 J6-37 O REF +  
 J6-36 O REF COM  
 16 KHz  
 2A/1V

**SINE SOURCE ASSEMBLY**

R160, C27, C38, C44, C49, C54, C61, C65, C73, C104, C116, C132 NOT FILLED

HEAT SINK 450150  
USE HEAT SINK COMPOUND BETWEEN MATING SURFACES OF COMPONENTS 900003

MAKE WIRE LINKS FROM 22AWG BIC WIRE 540002

MOUNT R81, R106, R122 AND R145 ON FSV TERMINAL 620001 2 OFF

3WAY MOLEX HEADER 604046 2OFF  
FIT SHORTING PLUG 600127 IN POSITIONS A+G (SEE NOTE 1)  
LABEL SERIAL NO. 4200058

NOTE 1: FIT LINK 'E' AND LINK 'F' IN PLACE OF LINK 'X' AND LINK 'G' FOR TEST

LABEL-350 MARKING 420112

BRASS STRIP 100mm LONG 631007  
SOLDER STRIP TO BROAD GUARD TRACK IN CENTRAL POSITION

PCB EJECTOR (YELLOW) 630120 2 OFF

SOLDER TO SCREEN + PCB IN CORNER

M3 x 4mm STANDOFF 612004 40OFF  
FIT TO SOLDER SIDE (NOT SHOWN)  
FIT SHIELD 450841 USING  
M3 x 6mm SCREW POZI- CSK 611007

MOUNT D5, D6, D8, D134 ON CERAMIC BEAD 600024 8 OFF

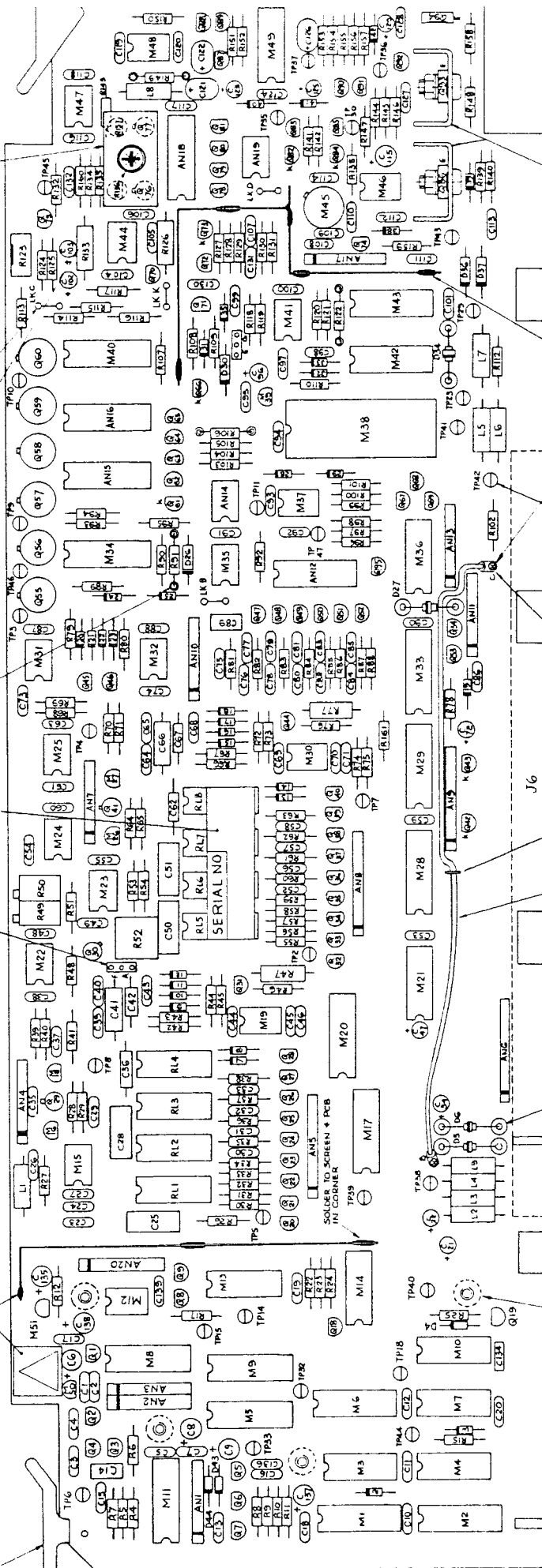
WIRE LINK 7/0 2mm PTFE WIRE 518999

REMOVE EACH END OF THIS WIRE WITH 1/8" PIECE OF SLEEVING 530001

SOLDER PIN 620003 2 OFF

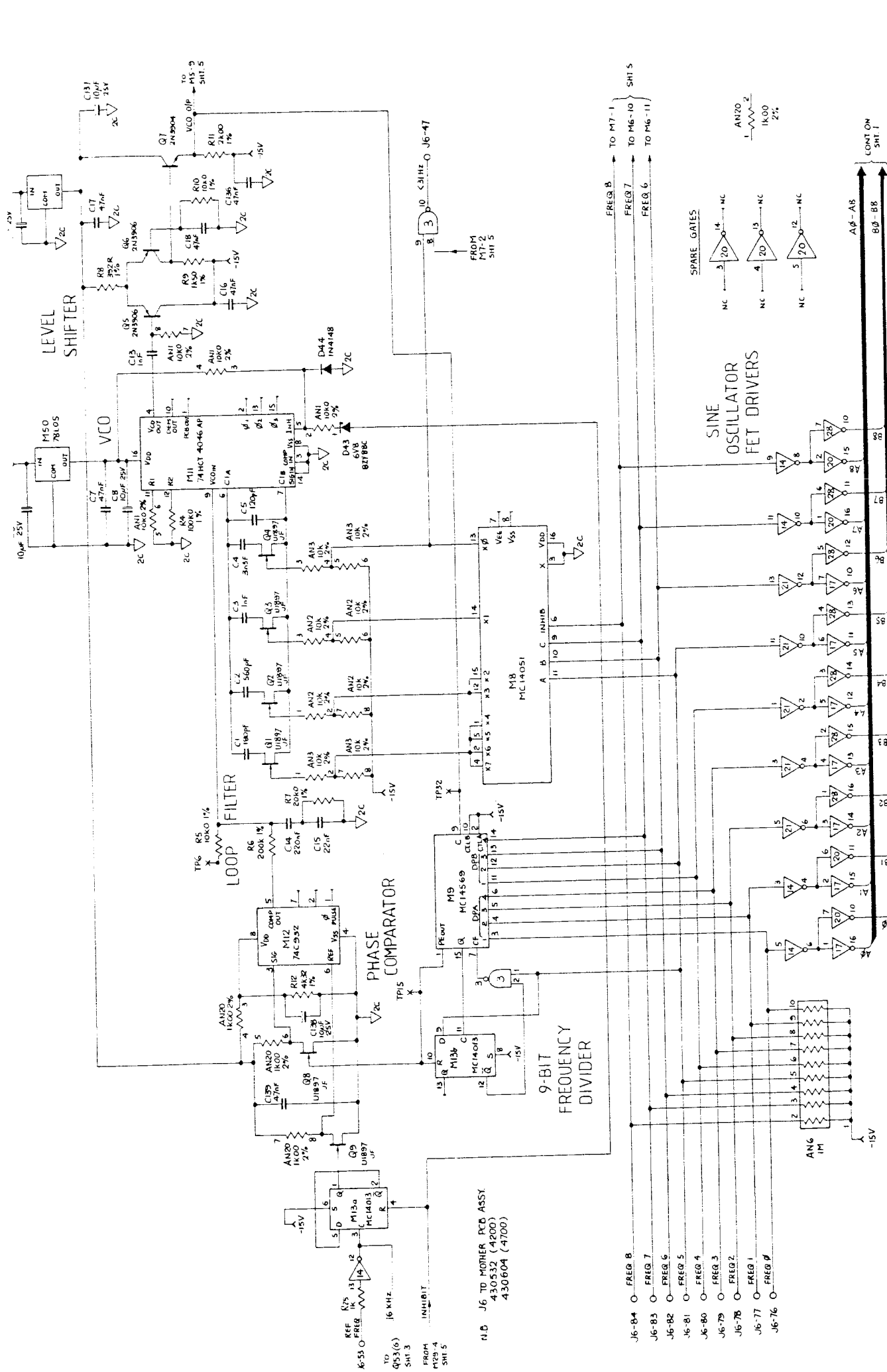
HEAT SINK T020 920089 2 OFF  
SCREW M3 x 6mm POZI- CSK 611007 2 OFF  
M3 SHAKEPROOF 613005 2 OFF  
M3 NUT 615002 2 OFF  
NB USE HEAT SINK COMPOUND 900003 ON MOUNTING SURFACES OF R81, R106, R122 AND R145  
HEAT SINK MOUNT THESE BOLTS SQUARELY ON HEAT SINKS

BRASS STRIP (IN 2 LENGTHS) ON 3/16" (3.0MM) SOLDER 2 STRIPS TO BROAD GUARD TRACK IN CENTRAL POSITION



UP OF WAVE	PART NO	QTY	WHERE USED
8	605039	17	M15, M22, E5, N-MO, M31, M32, M33, M37
14	605060	9	M41, M42, M46, M47, M48, M12, M15
16	605061	16	M3, M4, M7, M10, M13, M14, M21, M36, M45
28	605065	1	M1, M6, M5, M8, M9, M17, M20, M28, M29, M35, M38, M40, M42, M43, M11

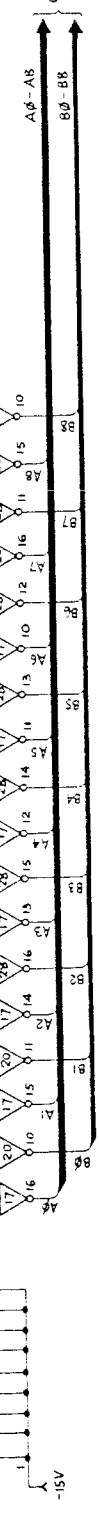
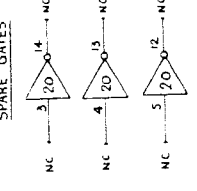
MOUNTING IC #



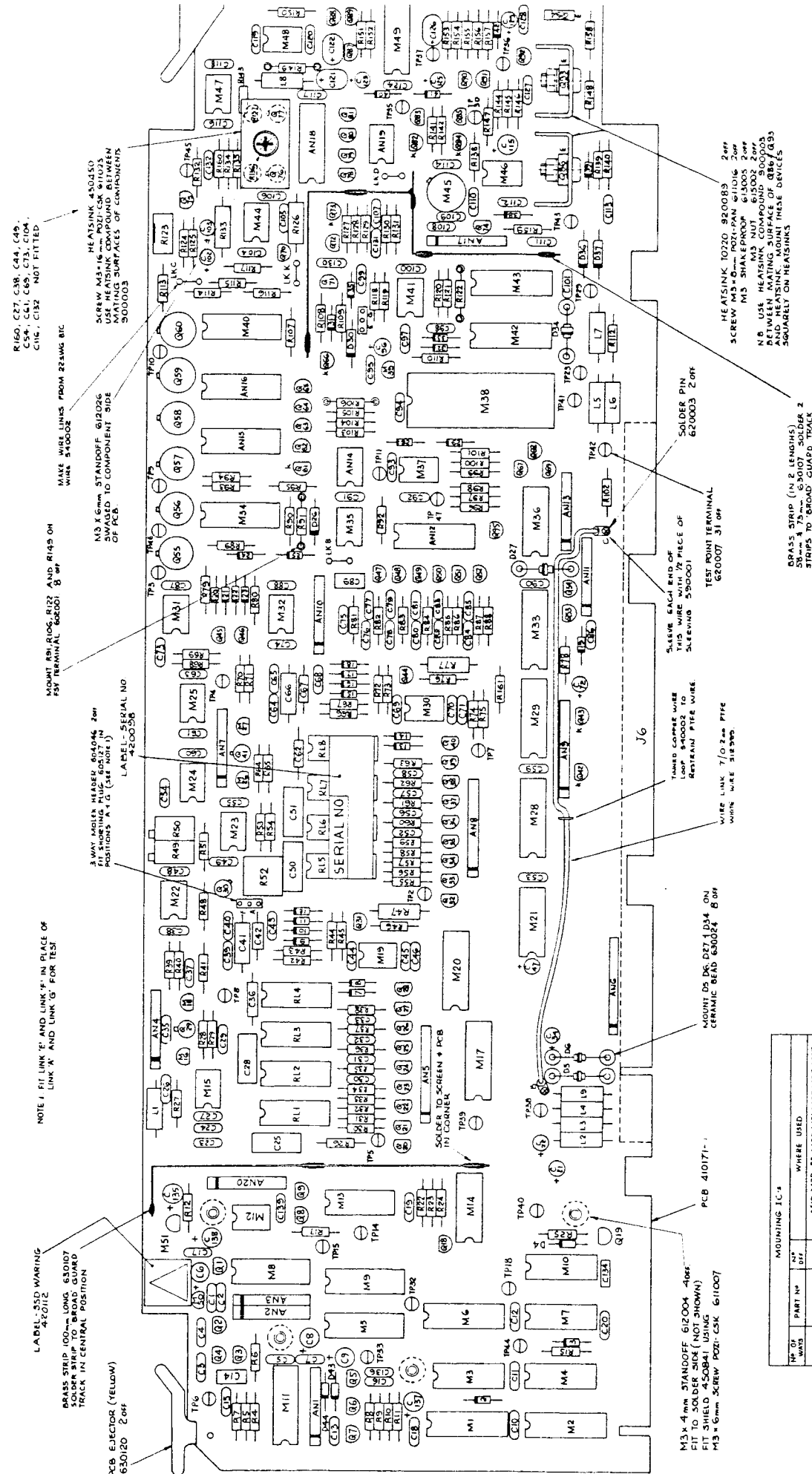
**SINE SOURCE ASSEMBLY**  
 Digital Synthesizer - VCO  
 Circuit Diagram No. 430446-11.1 Sheet 4

N.D. J6 TO MOTHER PCB ASSY  
 430532 (4200)  
 430604 (4700)

- J6-84 ○ FREQ 8
- J6-83 ○ FREQ 7
- J6-82 ○ FREQ 6
- J6-81 ○ FREQ 5
- J6-80 ○ FREQ 4
- J6-79 ○ FREQ 3
- J6-78 ○ FREQ 2
- J6-77 ○ FREQ 1
- J6-76 ○ FREQ 0



**SINE SOURCE ASSEMBLY**



PCB 410171-1

TP NO	TP WAYS	PART NO	WHERE USED
8	605059	M19 M22-R5 M40 M41 M42 M43 M47	
14	605060	M41 M44 M46 M47 M48 M52 M55	
16	605061	M3 M4 M7 M10 M15 M14 M21 M36 M49	
28	605065	M1 M2 M3 M6 M8 M9 M17 M20 M28 M32 M33 M34 M40 M42 M43 M11	

MOUNTING IC's

M3 x 4mm STANDOFF 612004 4 OFF  
 FIT TO SOLDER SIDE (NOT SHOWN)  
 FIT SHIELD 450841 USING  
 M3 x 6mm SCREW POZI-CSK 611007

HEATSINK T020 920089  
 SCREW M3 x 6mm SHALCON 2mm  
 M3 SHALCON  
 M3 SCREW 615002 2 OFF  
 N.B. USE HEATSINK COMPOUND 300003  
 AND HEATSINK MOUNTING STRIPS  
 SQUARELY ON HEATSINKS

BRASS STRIP (IN 2 LENGTHS)  
 58--x 1.75--x .03017 SOLDER 2  
 STRIPS TO BROAD GUARD TRACK  
 IN CENTRAL POSITION

SLEEVE EACH END OF  
 THIS WIRE WITH 1/2 PIECE OF  
 SLEEVE 590001

WIRE LINK 7/0 2mm PTFE  
 WIRE WIRE SLEEVES

MOUNT D5 DR DZT 1D34 ON  
 CERAMIC BEAD 630024 8 OFF

HEATSINK ASSEMBLED  
 SCREW M3x16  
 USE HEATSINK COMPOUND BETWEEN  
 SURFACES OF COMPONENTS  
 300003

MAKE WIRE LINKS FROM 22AWG BTC  
 WIRE 590002

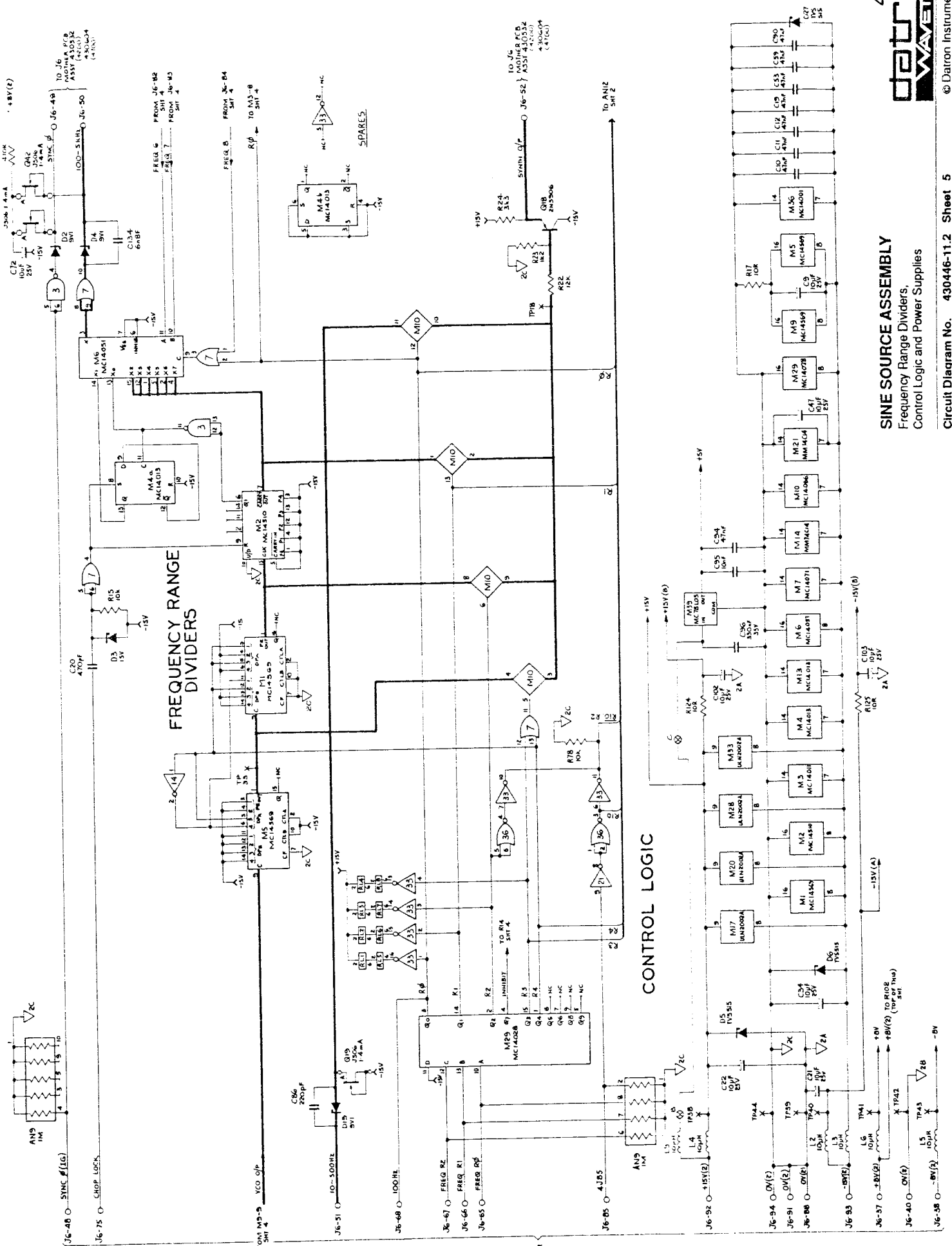
M3 x 6mm STANDOFF G12026  
 SWAGED TO COMPONENT SIDE  
 OF PCB

2 AWG WIRE LINKS BETWEEN 600046 2mm  
 P1 SHORING PLUS 600077 IN  
 POSITIONS A-Y-G (SEE NOTE 1)  
 LABEL-SERIAL NO  
 4200058

NOTE 1 FIT LINK 'E' AND LINK 'F' IN PLACE OF  
 LINK 'A' AND LINK 'G' FOR TEST

LABEL-550 MARKING  
 420112

PCB EJECTOR (YELLOW)  
 630120 2 OFF



**SINE SOURCE ASSEMBLY**  
 Frequency Range Dividers,  
 Control Logic and Power Supplies

IC  
 TO MOTHER PCB  
 430446-11.2  
 430446-11.2  
 430446-11.2  
 430446-11.2





DATE	ECO	REVISION		ISSUE		SHEET NUMBER		DRAWING NUMBER		DESCRIPTION														
		1	2	3	4	5	6	7	8		9	10												
5.7.85	1958	8.0	8.1	9.0	9.1	9.2	9.3	9.4	10.0	10.1	10.2	10.3	10.4	10.5	10.6	10.7	10.8	10.9	11.0	11.1	11.2	11.3	11.4	11.5
29.10.88	2045	8.1	9.0	9.1	9.2	9.3	9.4	10.0	10.1	10.2	10.3	10.4	10.5	10.6	10.7	10.8	10.9	11.0	11.1	11.2	11.3	11.4	11.5	
20.3.84	2168	9.0	9.1	9.2	9.3	9.4	10.0	10.1	10.2	10.3	10.4	10.5	10.6	10.7	10.8	10.9	11.0	11.1	11.2	11.3	11.4	11.5		
5.6.84	2283	9.1	9.2	9.3	9.4	10.0	10.1	10.2	10.3	10.4	10.5	10.6	10.7	10.8	10.9	11.0	11.1	11.2	11.3	11.4	11.5			
4.11.84	2404	9.2	9.3	9.4	10.0	10.1	10.2	10.3	10.4	10.5	10.6	10.7	10.8	10.9	11.0	11.1	11.2	11.3	11.4	11.5				
23/1/86	2366	9.3	9.4	10.0	10.1	10.2	10.3	10.4	10.5	10.6	10.7	10.8	10.9	11.0	11.1	11.2	11.3	11.4	11.5					
25/1/86	2497	9.4	10.0	10.1	10.2	10.3	10.4	10.5	10.6	10.7	10.8	10.9	11.0	11.1	11.2	11.3	11.4	11.5						
4.8.89	2561	10.0	10.1	10.2	10.3	10.4	10.5	10.6	10.7	10.8	10.9	11.0	11.1	11.2	11.3	11.4	11.5							
19.9.89	2658	10.1	10.2	10.3	10.4	10.5	10.6	10.7	10.8	10.9	11.0	11.1	11.2	11.3	11.4	11.5								
2.2.84	2748	10.2	10.3	10.4	10.5	10.6	10.7	10.8	10.9	11.0	11.1	11.2	11.3	11.4	11.5									
28.4.88	2850	10.3	10.4	10.5	10.6	10.7	10.8	10.9	11.0	11.1	11.2	11.3	11.4	11.5										
6.5.88	2775	10.4	10.5	10.6	10.7	10.8	10.9	11.0	11.1	11.2	11.3	11.4	11.5											
19.5.88	2902	10.5	10.6	10.7	10.8	10.9	11.0	11.1	11.2	11.3	11.4	11.5												
22.6.88	2946	10.6	10.7	10.8	10.9	11.0	11.1	11.2	11.3	11.4	11.5													
16.8.88	2987	10.7	10.8	10.9	11.0	11.1	11.2	11.3	11.4	11.5														
23.8.88	3006	10.8	10.9	11.0	11.1	11.2	11.3	11.4	11.5															
20.3.88	3267	10.9	11.0	11.1	11.2	11.3	11.4	11.5																
13.7.88	3378	11.0	11.1	11.2	11.3	11.4	11.5																	
14.12.88	3500	11.1	11.2	11.3	11.4	11.5																		
1.10.89	3713	11.2	11.3	11.4	11.5																			
1.10.89	3853	11.3	11.4	11.5																				
19.12.89	4005	11.4	11.5																					
19.12.89	4005	11.5																						

NOTES:  INDICATES NO CHANGE TO DOCS AT ISSUE LEVEL CHANGE

**datron** INSTRUMENTS NORWICH ENGLAND

DRN: 11. DATE: 5.7.85

CHK'D: HSD DATE: 10.7.85

APP: 5/ DATE: 23.7.85

TITLE: 4200 SINE SOURCE PCB ASSY.

DRAWING No. LD400446 SHEET 1 OF 1

DATRON INSTRUMENTS LTD PARTS LIST 07-Jan-92 DESC: ASSY PCB SINE SOURCE 4700 DRG NO: LP400446-11 REV: 5 PAGE NO: 1

DESIG	PART NO	DESCRIPTION	PRINC MANUF	MANUF PART NUMBER	CLASS	UM	QUANTITY	CHANGES
R4	011003	RES MF 100K 1% .12W 50PPM	MEC	H8 100K 1% 50PPM	A	EA	1	
R5	011002	RES MF 100K 1% .12W 50PPM	MEC	H8 100K 1% 50PPM	A	EA	8	
R6	012003	RES MF 200K 1% .12W 50PPM	MEC	H8 200K 1% 50PPM	A	EA	1	
R7	012002	RES MF 200K 1% .12W 50PPM	MEC	H8 200K 1% 50PPM	A	EA	1	
R8	013920	RES MF 392R 1% .12W 50PPM	MEC	H8 392R 1% 50PPM	A	EA	1	
R9	011501	RES MF 1K50 1% .12W 50PPM	MEC	H8 1K50 1% 50PPM	A	EA	3	
R10	011002	RES MF 100K 1% .12W 50PPM	MEC	H8 100K 1% 50PPM	A	EA	-	
R11	012001	RES MF 200K 1% .12W 50PPM	MEC	H8 200K 1% 50PPM	A	EA	2	
R12	014321	RES MF 4K32 1% .12W 50PPM	MEC	H8 4K32 1% 50PPM	A	EA	2	
R15	000103	RES CF 10K 5% .25W	NEOHM	CFR25 10K 5%	A	EA	6	
R17	000100	RES CF 10R 5% .25W	NEOHM	CFR25 10R 5%	A	EA	4	
R22	000123	RES CF 12K 5% .25W	NEOHM	CFR25 12K 5%	A	EA	1	
R23	000122	RES CF 1K2 5% .25W	NEOHM	CFR25 1K2 5%	A	EA	2	
R24	000332	RES CF 3K3 5% .25W	NEOHM	CFR25 3K3 5%	A	EA	1	
R25	000102	RES CF 1K0 5% .25W	NEOHM	CFR25 1K0 5%	A	EA	5	
R26	000272	RES CF 2K7 5% .25W	NEOHM	CFR25 2K7 5%	A	EA	1	
R27	011001	RES MF 1K00 1% .12W 50PPM	MEC	H8 1K00 1% 50PPM	A	EA	2	
R28	012001	RES MF 2K00 1% .12W 50PPM	MEC	H8 2K00 1% 50PPM	A	EA	-	
R29	011001	RES MF 1K00 1% .12W 50PPM	MEC	H8 1K00 1% 50PPM	A	EA	-	
R30	047153	RES MF 715K 1% .12W 50PPM	MEC	H8 715K 1% 50PPM	A	EA	2	
R31	013573	RES MF 357K 1% .12W 50PPM	MEC	H8 357K 1% 50PPM	A	EA	2	
R32	011783	RES MF 178K 1% .12W 50PPM	MEC	H8 178K 1% 50PPM	A	EA	2	
R33	018872	RES MF 88K7 1% .12W 50PPM	MEC	H8 88K7 1% 50PPM	A	EA	2	
R34	014422	RES MF 44K2 1% .12W 50PPM	MEC	H8 44K2 1% 50PPM	A	EA	2	
R35	012262	RES MF 22K6 1% .12W 50PPM	MEC	H8 22K6 1% 50PPM	A	EA	2	
R36	011132	RES MF 11K3 1% .12W 50PPM	MEC	H8 11K3 1% 50PPM	A	EA	2	
R37	015621	RES MF 5K62 1% .12W 50PPM	MEC	H8 5K62 1% 50PPM	A	EA	2	
R38	012801	RES MF 2K80 1% .12W 50PPM	MEC	H8 2K80 1% 50PPM	A	EA	2	
R39	000152	RES CF 1K5 5% .25W	NEOHM	CFR25 1K5 5%	A	EA	3	
R40	000152	RES CF 1K5 5% .25W	NEOHM	CFR25 1K5 5%	A	EA	-	
R41	239060-1	TRAN JFET N-CHAN DUAL - RES	DATRON	SEE DRG		S2	1	
R42	000103	RES CF 10K 5% .25W	NEOHM	CFR25 10K 5%	A	EA	-	
R43	000103	RES CF 10K 5% .25W	NEOHM	CFR25 10K 5%	A	EA	-	
R44	000102	RES CF 1K0 5% .25W	NEOHM	CFR25 1K0 5%	A	EA	-	
R45	000102	RES CF 1K0 5% .25W	NEOHM	CFR25 1K0 5%	A	EA	-	
R46	000470	RES CF 47R 5% .25W	NEOHM	CFR25 47R 5%	A	EA	10	
R47	001182	RES CF 1K8 5% .5W	NEOHM	CFR50 1K8 5%	A	EA	4	
R48	011823	RES MF 182K 1% .12W 50PPM	MEC	H8 182K 1% 50PPM	A	EA	1	
R49	067203	RES CT 20K SIDE ADJ M/T	BECKMAN	68X	A	EA	2	
R50	067203	RES CT 20K SIDE ADJ M/T	BECKMAN	68X	A	EA	-	
R51	014990	RES MF 499R 1% .12W 50PPM	MEC	H8 499R 1% 50PPM	A	EA	2	
R52	063100	RES CT 10R TOP ADJ S/T	BECKMAN	72P	A	EA	1	
R53	014751	RES MF 4K75 1% .12W 50PPM	MEC	H8 4K75 1% 50PPM	A	EA	3	
R54	012218	RES MF 22R1 1% .12W 50PPM	MEC	H8 22R1 1% 50PPM	A	EA	1	
R55	047153	RES MF 715K 1% .12W 50PPM	MEC	H8 715K 1% 50PPM	A	EA	-	

- 8 JAN 1992

DESIG	PART NO	DESCRIPTION	PRINC MANUF	MANUF PART NUMBER	CLASS	UM	QUANTITY	CHANGES
R56	013573	RES MF 357K 1% .12W 50PPM	MEC	H8 357K 1% 50PPM	A	EA	-	
R57	011783	RES MF 178K 1% .12W 50PPM	MEC	H8 178K 1% 50PPM	A	EA	-	
R58	012872	RES MF 88K7 1% .12W 50PPM	MEC	H8 88K7 1% 50PPM	A	EA	-	
R59	014422	RES MF 44K2 1% .12W 50PPM	MEC	H8 44K2 1% 50PPM	A	EA	-	
R60	012262	RES MF 22K6 1% .12W 50PPM	MEC	H8 22K6 1% 50PPM	A	EA	-	
R61	011132	RES MF 11K3 1% .12W 50PPM	MEC	H8 11K3 1% 50PPM	A	EA	-	
R62	015621	RES MF 5K62 1% .12W 50PPM	MEC	H8 5K62 1% 50PPM	A	EA	-	
R63	012801	RES MF 2K80 1% .12W 50PPM	MEC	H8 2K80 1% 50PPM	A	EA	-	
R64	013321	RES MF 3K32 1% .12W 50PPM	MEC	H8 3K32 1% 50PPM	A	EA	2	
R65	013321	RES MF 3K32 1% .12W 50PPM	MEC	H8 3K32 1% 50PPM	A	EA	-	
R66	000103	RES CF 10K 5% .25W	NEOHM	CFR25 10K 5%	A	EA	-	
R67	000103	RES CF 10K 5% .25W	NEOHM	CFR25 10K 5%	A	EA	-	
R68	011002	RES MF 10K0 1% .12W 50PPM	MEC	H8 10K0 1% 50PPM	A	EA	-	
R69	011002	RES MF 10K0 1% .12W 50PPM	MEC	H8 10K0 1% 50PPM	A	EA	-	
R70	011501	RES MF 1K50 1% .12W 50PPM	MEC	H8 1K50 1% 50PPM	A	EA	-	
R71	011501	RES MF 1K50 1% .12W 50PPM	MEC	H8 1K50 1% 50PPM	A	EA	-	
R72	000102	RES CF 1K0 5% .25W	NEOHM	CFR25 1K0 5%	A	EA	-	
R73	000102	RES CF 1K0 5% .25W	NEOHM	CFR25 1K0 5%	A	EA	-	
R74	012743	RES MF 274K 1% .12W 50PPM	MEC	H8 274K 1% 50PPM	A	EA	1	
R75	014990	RES MF 499R 1% .12W 50PPM	MEC	H8 499R 1% 50PPM	A	EA	-	
R76	000470	RES CF 47R 5% .25W	NEOHM	CFR25 47R 5%	A	EA	-	
R77	001182	RES CF 1K8 5% .5W	NEOHM	CFR50 1K8 5%	A	EA	-	
R78	000103	RES CF 10K 5% .25W	NEOHM	CFR25 10K 5%	A	EA	-	
R79	012551	RES MF 2K55 1% .12W 50PPM	MEC	H8 2K55 1% 50PPM	A	EA	2	
R80	012551	RES MF 2K55 1% .12W 50PPM	MEC	H8 2K55 1% 50PPM	A	EA	-	
R81	000822	RES CF 8K2 5% .25W	NEOHM	CFR25 8K2 5%	A	EA	5	
R82	000822	RES CF 8K2 5% .25W	NEOHM	CFR25 8K2 5%	A	EA	-	
R83	000822	RES CF 8K2 5% .25W	NEOHM	CFR25 8K2 5%	A	EA	-	
R84	000822	RES CF 8K2 5% .25W	NEOHM	CFR25 8K2 5%	A	EA	-	
R85	000152	RES CF 1K5 5% .25W	NEOHM	CFR25 1K5 5%	A	EA	-	
R86	000433	RES CF 43K 5% .25W	NEOHM	CFR25 43K 5%	A	EA	1	
R87	000822	RES CF 8K2 5% .25W	NEOHM	CFR25 8K2 5%	A	EA	-	
R88	000471	RES CF 470R 5% .25W	NEOHM	CFR25 470R 5%	A	EA	4	
R89	000362	RES CF 3K6 5% .25W	NEOHM	CFR25 3K6 5%	A	EA	2	
R90	000470	RES CF 47R 5% .25W	NEOHM	CFR25 47R 5%	A	EA	-	
R91	013161	RES MF 3K16 1% .12W 50PPM	MEC	H8 3K16 1% 50PPM	A	EA	2	
R92	000122	RES CF 1K2 5% .25W	NEOHM	CFR25 1K2 5%	A	EA	-	
R93	000470	RES CF 47R 5% .25W	NEOHM	CFR25 47R 5%	A	EA	-	
R94	000470	RES CF 47R 5% .25W	NEOHM	CFR25 47R 5%	A	EA	-	
R95	000470	RES CF 47R 5% .25W	NEOHM	CFR25 47R 5%	A	EA	-	
R96	011872	RES MF 18K7 1% .12W 50PPM	MEC	H8 18K7 1% 50PPM	A	EA	2	
R97	000104	RES CF 100K 5% .25W	NEOHM	CFR25 100K 5%	A	EA	3	
R98	011378	RES MF 13R7 1% .12W 50PPM	MEC	H8 13R7 1% 50PPM	A	EA	2	
R99	000104	RES CF 100K 5% .25W	NEOHM	CFR25 100K 5%	A	EA	-	
R100	011872	RES MF 18K7 1% .12W 50PPM	MEC	H8 18K7 1% 50PPM	A	EA	-	

DESIG	PART NO	DESCRIPTION	PRINC MANUF	MANUF PART NUMBER	CLASS	UM	QUANTITY	CHANGES
R101	011378	RES MF 13R7 1% .12W 50PPM	MEC	H8 13R7 1% 50PPM	A	EA	-	
R102	000471	RES CF 470R 5% .25W	NEOHM	CFR25 470R 5%	A	EA	-	
R103	013091	RES MF 3K09 1% .12W 50PPM	MEC	H8 3K09 1% 50PPM	A	EA	2	
R104	011541	RES MF 1K54 1% .12W 50PPM	MEC	H8 1K54 1% 50PPM	A	EA	2	
R105	011541	RES MF 1K54 1% .12W 50PPM	MEC	H8 1K54 1% 50PPM	A	EA	-	
R106	013091	RES MF 3K09 1% .12W 50PPM	MEC	H8 3K09 1% 50PPM	A	EA	-	
R107	000470	RES CF 47R 5% .25W	NEOHM	CFR25 47R 5%	A	EA	-	
R108	017871	RES MF 7K87 1% .12W 50PPM	MEC	H8 7K87 1% 50PPM	A	EA	9	
R109	000101	RES CF 100R 5% .25W	NEOHM	CFR25 100R 5%	A	EA	-	
R110	000225	RES CF 2M2 5% .25W	NEOHM	CFR25 2M2 5%	A	EA	1	
R112	000100	RES CF 10R 5% .25W	NEOHM	CFR25 10R 5%	A	EA	-	
R113	000362	RES CF 3K6 5% .25W	NEOHM	CFR25 3K6 5%	A	EA	-	
R114	000470	RES CF 47R 5% .25W	NEOHM	CFR25 47R 5%	A	EA	-	
R115	000470	RES CF 47R 5% .25W	NEOHM	CFR25 47R 5%	A	EA	-	
R116	000470	RES CF 47R 5% .25W	NEOHM	CFR25 47R 5%	A	EA	-	
R117	000101	RES CF 100R 5% .25W	NEOHM	CFR25 100R 5%	A	EA	-	
R118	012432	RES MF 24K3 1% .12W 50PPM	MEC	H8 24K3 1% 50PPM	A	EA	2	
R119	012432	RES MF 24K3 1% .12W 50PPM	MEC	H8 24K3 1% 50PPM	A	EA	-	
R120	011002	RES MF 10K0 1% .12W 50PPM	MEC	H8 10K0 1% 50PPM	A	EA	-	
R121	017501	RES MF 7K50 1% .12W 50PPM	MEC	H8 7K50 1% 50PPM	A	EA	1	
R122	011002	RES MF 10K0 1% .12W 50PPM	MEC	H8 10K0 1% 50PPM	A	EA	1	
R123	066103	RES CT 10K SIDE ADJ S/T	BECKMAN	72XW	A	EA	-	
R124	000100	RES CF 10R 5% .25W	NEOHM	CFR25 10R 5%	A	EA	-	
R125	000100	RES CF 10R 5% .25W	NEOHM	CFR25 10R 5%	A	EA	-	
R126	001182	RES CF 1K8 5% .5W	NEOHM	CFR50 1K8 5%	A	EA	-	
R127	000101	RES CF 100R 5% .25W	NEOHM	CFR25 100R 5%	A	EA	-	
R128	000101	RES CF 100R 5% .25W	NEOHM	CFR25 100R 5%	A	EA	-	
R129	011211	RES MF 1K21 1% .12W 50PPM	MEC	H8 1K21 1% 50PPM	A	EA	1	
R130	011002	RES MF 10K0 1% .12W 50PPM	MEC	H8 10K0 1% 50PPM	A	EA	-	
R131	011002	RES MF 10K0 1% .12W 50PPM	MEC	H8 10K0 1% 50PPM	A	EA	-	
R132	000101	RES CF 100R 5% .25W	NEOHM	CFR25 100R 5%	A	EA	-	
R133	001182	RES CF 1K8 5% .5W	NEOHM	CFR50 1K8 5%	A	EA	-	
R134	014321	RES MF 4K32 1% .12W 50PPM	MEC	H8 4K32 1% 50PPM	A	EA	-	
R135	012491	RES MF 2K49 1% .12W 50PPM	MEC	H8 2K49 1% 50PPM	A	EA	2	
R136	090063	THERMISTOR PTC	PHILIPS	KTY81-120	A	EA	-	
R137	090063	THERMISTOR PTC	PHILIPS	KTY81-120	A	EA	-	
R138	000101	RES CF 100R 5% .25W	NEOHM	CFR25 100R 5%	A	EA	-	
R139	050153	RES MF 6R2 1% .5W 50PPM	WELWYN	MFR4	A	EA	2	
R140	000202	RES CF 2K0 5% .25W	NEOHM	CFR25 2K0 5%	A	EA	1	
R141	000101	RES CF 100R 5% .25W	NEOHM	CFR25 100R 5%	A	EA	-	
R142	000101	RES CF 100R 5% .25W	NEOHM	CFR25 100R 5%	A	EA	-	
R143	012491	RES MF 2K49 1% .12W 50PPM	MEC	H8 2K49 1% 50PPM	A	EA	-	
R144	050153	RES MF 6R2 1% .5W 50PPM	WELWYN	MFR4	A	EA	2	
R145	000221	RES CF 220R 5% .25W	NEOHM	CFR25 220R 5%	A	EA	-	
R146	000221	RES CF 220R 5% .25W	NEOHM	CFR25 220R 5%	A	EA	-	

DESIG	PART NO	DESCRIPTION	PRINC MANUF	MANUF PART NUMBER	CLASS	UM	QUANTITY	CHANGES
R147	000101	RES CF 100K 5% .25W	NEOHM	CFR25 100K 5%	A	EA	-	
R148	000278	RES CF 10K 5% .25W	NEOHM	CFR25 10K 5%	A	EA	1	
R149	013161	RES MF 2K16 1% .12W 50PPM	MED	HB 2K16 1% 50PPM	A	EA	-	
R150	000471	RES CF 470K 5% .25W	NEOHM	CFR25 470K 5%	A	EA	-	
R151	014751	RES MF 4K75 1% .12W 50PPM	MED	HB 4K75 1% 50PPM	A	EA	-	
R152	015030	RES MF 523R 1% .12W 50PPM	MED	HB 523R 1% 50PPM	A	EA	1	
R153	014320	RES MF 432R 1% .12W 50PPM	MED	HB 432R 1% 50PPM	A	EA	1	
R154	014751	RES MF 4K75 1% .12W 50PPM	MED	HB 4K75 1% 50PPM	A	EA	-	
R155	000472	RES CF 4K7 5% .25W	NEOHM	CFR25 4K7 5%	A	EA	3	
R156	000472	RES CF 4K7 5% .25W	NEOHM	CFR25 4K7 5%	A	EA	-	
R157	000471	RES CF 470R 5% .25W	NEOHM	CFR25 470R 5%	A	EA	-	
R158	000150	RES CF 10K 5% .25W	NEOHM	CFR25 10K 5%	A	EA	1	
R159	000472	RES CF 4K7 5% .25W	NEOHM	CFR25 4K7 5%	A	EA	-	
R160	00000N	NOT FITTED						
R161	000104	RES CF 100K 5% .25W	NEOHM	CFR25 100K 5%	A	EA	-	
AN1	090131	RES PACK 10K X 4 2%	BECKMAN	L08-3S-R10K	A	EA	8	
AN2	090131	RES PACK 10K X 4 2%	BECKMAN	L08-3S-R10K	A	EA	-	
AN3	090131	RES PACK 10K X 4 2%	BECKMAN	L08-3S-R10K	A	EA	-	
AN4	090132	RES PACK 4K7 X 4 2%	BECKMAN	L08-3S-R4K7	A	EA	1	
AN5	090140	RES NTWK 22K X 9 2%	BECKMAN	L10-1S-R22K	A	EA	2	
AN6	090141	RES NTWK 1M X 9 2%	BECKMAN	L10-1S-R1M	A	EA	2	
AN7	090131	RES PACK 10K X 4 2%	BECKMAN	L08-3S-R10K	A	EA	-	
AN8	090140	RES NTWK 22K X 9 2%	BECKMAN	L10-1S-R22K	A	EA	-	
AN9	090141	RES NTWK 1M X 9 2%	BECKMAN	L10-1S-R1M	A	EA	-	
AN10	090131	RES PACK 10K X 4 2%	BECKMAN	L08-3S-R10K	A	EA	-	
AN11	090131	RES PACK 10K X 4 2%	BECKMAN	L08-3S-R10K	A	EA	-	
AN12	090086	RES PACK 100K X 8 2%	AB	761-3-100K	A	EA	1	
AN13	090131	RES PACK 10K X 4 2%	BECKMAN	L08-3S-R10K	A	EA	-	
AN14	090142	RES PACK 10K X 4 .5%	BECKMAN	694-3-R10KD	A	EA	1	
AN15	090136	RES PACK 2K X 8 .5%	BECKMAN	698-3-R2KD	A	EA	3	
AN16	090136	RES PACK 2K X 8 .5%	BECKMAN	698-3-R2KD	A	EA	-	
AN17	090131	RES PACK 10K X 4 2%	BECKMAN	L08-3S-R10K	A	EA	-	
AN18	090136	RES PACK 2K X 8 .5%	BECKMAN	698-3-R2KD	A	EA	-	
AN19	090143	RES PACK 500R X 4 .5%	BECKMAN	694-3-R500D	A	EA	1	
AN20	090168	RES PACK 1K X 4 2%	AB	770-83-1K	A	EA	1	
C1	100181	CAP CP 180PF 2% 100V	PHILIPS	2222 683 58181		EA	1	
C2	100561	CAP CP 560PF 10% 100V	PHILIPS	2222 630 19561		EA	1	
C3	100102	CAP CP 1NF 10% 100V	PHILIPS	2222 630 19102		EA	15	
C4	110027	CAP PE 3N3F 20% 100V	WIMA	FKS2 3300 20% 100V		EA	1	
C5	100121	CAP CP 120PF 2% 100V	PHILIPS	2222 683 34121		EA	1	
C6	150020	CAP DT 10UF 20% 25V	AVX	TAP10M25F	A	EA	15	
C7	104026	CAP CM 47NF +80%-20% 50V	AVX	SR175E4732AA	A	EA	34	
C8	150020	CAP DT 10UF 20% 25V	AVX	TAP10M25F	A	EA	-	
C9	150020	CAP DT 10UF 20% 25V	AVX	TAP10M25F	A	EA	-	
C10	104026	CAP CM 47NF +80%-20% 50V	AVX	SR175E4732AA	A	EA	-	

DESIG	PART NO	DESCRIPTION	PRINC MANUF	MANUF PART NUMBER	CLASS	UM	QUANTITY	CHANGES
C11	104026	CAP CM 47NF +80%-20% 50V	AVX	SR175E4732AA	A	EA	-	
C12	104026	CAP CM 47NF +80%-20% 50V	AVX	SR175E4732AA	A	EA	-	
C13	100102	CAP CP 1NF 10% 100V	PHILIPS	2222 630 19102		EA	-	
C14	110035	CAP PE 220NF 20% 63V	WIMA	MKS2 0.12 20% 63V		EA	1	
C15	110050	CAP PE 22NF 10% 63V	WIMA	MKS2 0.022 10% 63V		EA	1	
C16	104026	CAP CM 47NF +80%-20% 50V	AVX	SR175E4732AA	A	EA	-	
C17	104026	CAP CM 47NF +80%-20% 50V	AVX	SR175E4732AA	A	EA	-	
C18	104026	CAP CM 47NF +80%-20% 50V	AVX	SR175E4732AA	A	EA	-	
C19	104026	CAP CM 47NF +80%-20% 50V	AVX	SR175E4732AA	A	EA	-	
C20	102471	CAP CD 470PF 20% 500V N4700	BECK	CD10EM470PMSCR	A	EA	1	
C21	150020	CAP DT 10UF 20% 25V	AVX	TAP10M25F	A	EA	-	
C22	150020	CAP DT 10UF 20% 25V	AVX	TAP10M25F	A	EA	-	
C23	100102	CAP CP 1NF 10% 100V	PHILIPS	2222 630 19102		EA	-	
C24	104026	CAP CM 47NF +80%-20% 50V	AVX	SR175E4732AA	A	EA	-	
C25	120034	CAP PC 220NF 1% 63V	ASHCROFT	M2822101E		EA	2	
C26	102100	CAP CD 10PF 20% 500V NPC	BECK	CD08CG10PDMSCR	A	EA	1	
C27	00000N	NOT FITTED						
C28	120035	CAP PC 22NF 1% 400V	ASHCROFT	M2B22004E		EA	2	
C29	102220	CAP CD 22PF 10% 500V N150	BECK	CD08PG22P0KSCR	A	EA	3	
C30	104017	CAP CD 0P56F +/-0P1F 400V	BECK	GD08AG0P56B5	A	EA	2	
C31	102108	CAP CD 1PF +/-0P5F 500V P100	BECK	CD08AG01P0DSCR	A	EA	2	
C32	102188	CAP CD 1P8F +/-5PF 500V	ITT	CD06AG61P8DSCR	A	EA	2	
C33	102398	CAP CD 3P9F +/-0P5F 500V P100	BECK	CD08AG03P9DSCR	A	EA	2	
C34	150020	CAP DT 10UF 20% 25V	AVX	TAP10M25F	A	EA	-	
C35	100102	CAP CP 1NF 10% 100V	PHILIPS	2222 630 19102		EA	-	
C36	130083	CAP PS 2NF 1% 160V	PHILIPS	425		EA	2	
C37	110042	CAP PE 100NF 20% 63V	WIMA	MKS2 0.1 20% 63V		EA	7	
C38	00000N	NOT FITTED						
C39	100101	CAP CP 100PF 2% 100V	PHILIPS	2222 683 34101		EA	3	
C40	100278	CAP CP 2P7F +/-0P25F 100V	PHILIPS	2222 683 09278		EA	2	
C41	130084	CAP PS 110PF 1% 630V	PHILIPS	427		EA	2	
C42	130042	CAP PS 100PF 1% 630V	SUFLEX	HS		EA	2	
C43	102478	CAP CD 4P7F +/-5PF 500V NPC	BECK	CD08AGG4P7DSCR	A	EA	2	
C44	00000N	NOT FITTED						
C45	104026	CAP CM 47NF +80%-20% 50V	AVX	SR175E4732AA	A	EA	-	
C46	100102	CAP CP 1NF 10% 100V	PHILIPS	2222 630 19102		EA	-	
C47	150020	CAP DT 10UF 20% 25V	AVX	TAP10M25F	A	EA	-	
C48	104026	CAP CM 47NF +80%-20% 50V	AVX	SR175E4732AA	A	EA	-	
C49	00000N	NOT FITTED						
C50	120034	CAP PC 220NF 1% 63V	ASHCROFT	M2822101E		EA	-	
C51	120035	CAP PC 22NF 1% 400V	ASHCROFT	M2B22004E		EA	-	
C52	104017	CAP CD 0P56F +/-0P1F 400V	BECK	GD08AG0P56B5	A	EA	-	
C53	104026	CAP CM 47NF +80%-20% 50V	AVX	SR175E4732AA	A	EA	-	
C54	00000N	NOT FITTED						
C55	104026	CAP CM 47NF +80%-20% 50V	AVX	SR175E4732AA	A	EA	-	

DESIG	PART NO	DESCRIPTION	PRINC MANUF	MANUF PART NUMBER	CLASS	UM	QUANTITY	CHANGES
C56	100109	CAP CD 10PF +/-0.5PF 500V P100	BECK	CD06AG01P000CR	A	EA	-	
C57	102149	IND CD 100PF +/-0.5PF 500V	INT	CD06AG01P000CR	A	EA	-	
C58	102338	CAP CD 3P3P +/-0.5PF 500V P100	BECK	CD06A100P000CR	A	EA	-	
C59	104026	CAP CM 47NF -80%-20% 50V	AVX	SR175E473ZAA	A	EA	-	
C60	104026	CAP CM 47NF -80%-20% 50V	AVX	SR175E473ZAA	A	EA	-	
C61	00000N	NOT FITTED				EA	-	
C62	100093	CAP PS 2NF 1% 160V	PHILIPS	428		EA	-	
C63	104026	CAP CM 47NF -80%-20% 50V	AVX	SR175E473ZAA	A	EA	-	
C64	100101	CAP CP 100PF 2% 100V	PHILIPS	2222 683 34101		EA	-	
C65	100102	CAP CP 10PF +/-0.5PF 100V	PHILIPS	2222 683 69279		EA	-	
C66	130094	CAP PS 100PF 1% 630V	PHILIPS	427		EA	-	
C67	130042	CAP PS 100PF 1% 630V	SUFLEX	H5		EA	-	
C68	102478	CAP CD 4P7P +/-0.5PF 500V NPO	BECK	CD08AG04P70SCR	A	EA	-	
C69	00000N	NOT FITTED				EA	-	
C70	104026	CAP CM 47NF -80%-20% 50V	AVX	SR175E473ZAA	A	EA	-	
C71	100102	CAP CP 1NF 10% 100V	PHILIPS	2222 630 19102		EA	-	
C72	150020	CAP DT 10UF 20% 25V	AVX	TAP10M25F	A	EA	-	
C73	00000N	NOT FITTED				EA	-	
C74	102220	CAP CD 22PF 10% 500V N150	BECK	CD08PG22P0KSCR	A	EA	-	
C75	100102	CAP CP 1NF 10% 100V	PHILIPS	2222 630 19102		EA	-	
C76	110041	CAP PE 10NF 20% 100V	WIMA	FKS2 0.01 20% 100V		EA	3	
C77	102102	CAP CD 1NF 10% 500V	BECK	CD10K101N0KSCR	A	EA	1	
C78	110041	CAP PE 10NF 20% 100V	WIMA	FKS2 0.01 20% 100V		EA	-	
C79	100102	CAP CP 1NF 10% 100V	PHILIPS	2222 630 19102		EA	-	
C80	110042	CAP PE 100NF 20% 63V	WIMA	MKS2 0.1 20% 63V		EA	-	
C81	100102	CAP CP 1NF 10% 100V	PHILIPS	2222 630 19102		EA	-	
C82	100182	CAP CP 1NF 10% 100V	PHILIPS	2222 630 19182		EA	1	
C83	100102	CAP CP 1NF 10% 100V	PHILIPS	2222 630 19102		EA	-	
C84	100102	CAP CP 1NF 10% 100V	PHILIPS	2222 630 19102		EA	-	
C85	100102	CAP CP 1NF 10% 100V	PHILIPS	2222 630 19102		EA	-	
C86	102221	CAP CD 220PF 10% 500V N3300	BECK	CD10DL220PKSCR	A	EA	2	
C87	104026	CAP CM 47NF -80%-20% 50V	AVX	SR175E473ZAA	A	EA	-	
C88	104026	CAP CM 47NF -80%-20% 50V	AVX	SR175E473ZAA	A	EA	-	
C89	110046	CAP PE 1UF 20% 50V	WIMA	MKS2 1.0 20% 50V		EA	1	
C90	104026	CAP CM 47NF -80%-20% 50V	AVX	SR175E473ZAA	A	EA	-	
C91	104026	CAP CM 47NF -80%-20% 50V	AVX	SR175E473ZAA	A	EA	-	
C92	102331	CAP CD 330PF 20% 500V K1	BECK	CD08K1330PKSCR	A	EA	1	
C93	104026	CAP CM 47NF -80%-20% 50V	AVX	SR175E473ZAA	A	EA	-	
C94	104026	CAP CM 47NF -80%-20% 50V	AVX	SR175E473ZAA	A	EA	-	
C95	101103	CAP CD 10NF -20-80% 250V	BECK	CD10K101N00SCR/SK250	A	EA	1	
C96	150010	CAP DT 330NF 20% 35V	AVX	TAPR33M35F	A	EA	1	
C97	100101	CAP CP 100PF 2% 100V	PHILIPS	2222 683 34101		EA	-	
C98	110042	CAP PE 100NF 20% 63V	WIMA	MKS2 0.1 20% 63V		EA	-	
C99	110042	CAP PE 100NF 20% 63V	WIMA	MKS2 0.1 20% 63V		EA	-	
C100	104026	CAP CM 47NF -80%-20% 50V	AVX	SR175E473ZAA	A	EA	-	

DESIG	PART NO	DESCRIPTION	PRINC MANUF	MANUF PART NUMBER	CLASS	UM	QUANTITY	CHANGES
C101	104026	CAP CM 47NF -80%-20% 50V	AVX	SR175E473ZAA	A	EA	-	
C102	150020	CAP DT 10UF 20% 25V	AVX	TAP10M25F	A	EA	-	
C103	150020	CAP DT 10UF 20% 25V	AVX	TAP10M25F	A	EA	-	
C104	00000N	NOT FITTED				EA	-	
C105	104026	CAP CM 47NF -80%-20% 50V	AVX	SR175E473ZAA	A	EA	-	
C106	100102	CAP CP 1NF 10% 100V	PHILIPS	2222 630 19102		EA	-	
C107	110042	CAP PE 100NF 20% 63V	WIMA	MKS2 0.1 20% 63V		EA	-	
C108	110015	CAP PE 15NF 20% 63V	WIMA	MKS2 0.015 20% 63V		EA	1	
C109	110041	CAP PE 13NF 20% 100V	WIMA	FKS2 0.01 20% 100V		EA	-	
C110	104064	CAP CD 12PF 5% 50V	AVX	SR215A120JAA	A	EA	1	
C111	110042	CAP PE 100NF 20% 63V	WIMA	MKS2 0.1 20% 63V		EA	-	
C112	102221	CAP CD 220PF 10% 500V N3300	BECK	CD10DL220PKSCR	A	EA	-	
C113	104026	CAP CM 47NF -80%-20% 50V	AVX	SR175E473ZAA	A	EA	-	
C114	104026	CAP CM 47NF -80%-20% 50V	AVX	SR175E473ZAA	A	EA	-	
C115	150015	CAP DT 10UF 20% 35V	AVX	TAP10M35F	A	EA	1	
C116	00000N	NOT FITTED				EA	-	
C117	100102	CAP CP 1NF 10% 100V	PHILIPS	2222 630 19102		EA	-	
C118	104026	CAP CM 47NF -80%-20% 50V	AVX	SR175E473ZAA	A	EA	-	
C119	102338	CAP CD 3P3P +/-0.5PF 500V P100	BECK	CD08AG03P3DSCR	A	EA	1	
C120	104026	CAP CM 47NF -80%-20% 50V	AVX	SR175E473ZAA	A	EA	-	
C121	150023	CAP DT 33UF 20% 25V	AVX	TAP33M25F	A	EA	3	
C122	150023	CAP DT 33UF 20% 25V	AVX	TAP33M25F	A	EA	-	
C123	150020	CAP DT 10UF 20% 25V	AVX	TAP10M25F	A	EA	-	
C124	104026	CAP CM 47NF -80%-20% 50V	AVX	SR175E473ZAA	A	EA	-	
C125	150020	CAP DT 10UF 20% 25V	AVX	TAP10M25F	A	EA	-	
C126	150023	CAP DT 33UF 20% 25V	AVX	TAP33M25F	A	EA	-	
C127	102220	CAP CD 22PF 10% 500V N150	BECK	CD08PG22P0KSCR	A	EA	-	
C128	104026	CAP CM 47NF -80%-20% 50V	AVX	SR175E473ZAA	A	EA	-	
C129	150021	CAP DT 22UF 20% 25V	AVX	TAP22M25F	A	EA	1	
C130	110042	CAP PE 100NF 20% 63V	WIMA	MKS2 0.1 20% 63V		EA	-	
C131	100102	CAP CP 1NF 10% 100V	PHILIPS	2222 630 19102		EA	-	
C132	00000N	NOT FITTED				EA	-	
C134	120629	CAP PC 68PF 20% 100V	WIMA	FKC2 6800 20% 100V		EA	1	
C135	150020	CAP DT 10UF 20% 25V	AVX	TAP10M25F	A	EA	-	
C136	104026	CAP CM 47NF -80%-20% 50V	AVX	SR175E473ZAA	A	EA	-	
C137	150020	CAP DT 10UF 20% 25V	AVX	TAP10M25F	A	EA	-	
C138	150020	CAP DT 10UF 20% 25V	AVX	TAP10M25F	A	EA	-	
C139	104026	CAP CM 47NF -80%-20% 50V	AVX	SR175E473ZAA	A	EA	-	
D2	210091	DIODE 2N 9V1 400mW	PHILIPS	B2X79C9V1	A	EA	3	
D3	210150	DIODE 2N 15V 400mW	PHILIPS	B2X79C15	A	EA	1	
D4	210091	DIODE 2N 9V1 400mW	PHILIPS	B2X79C9V1	A	EA	-	
D5	213009	DIODE TS 15V 5/500W	UNITRODE	TVS515	A	EA	4	
D6	213009	DIODE TS 15V 5/500W	UNITRODE	TVS515	A	EA	-	
D7	200001	DIODE GP 75mA 75V	FAIRCHILD	1N4148	A	EA	15	
D8	200001	DIODE GP 75mA 75V	FAIRCHILD	1N4148	A	EA	-	

DESIG	PART NO	DESCRIPTION	PRINC MANUF	MANUF PART NUMBER	CLASS	UM	QUANTITY	CHANGES
D10	210043	DIODE ZN 4V3 400MW	PHILIPS	B2X79C4V3	A	EA	4	-
D11	200001	DIODE GP 75mA 75V	FAIRCHILD	1N4148		EA	-	-
D12	210043	DIODE ZN 4V3 400MW	PHILIPS	B2X79C4V3	A	EA	-	-
D13	200001	DIODE GP 75mA 75V	FAIRCHILD	1N4148		EA	-	-
D14	200001	DIODE GP 75mA 75V	FAIRCHILD	1N4148		EA	-	-
D15	200001	DIODE GP 75mA 75V	FAIRCHILD	1N4148		EA	-	-
D16	210043	DIODE ZN 4V3 400MW	PHILIPS	B2X79C4V3	A	EA	-	-
D17	200001	DIODE GP 75mA 75V	FAIRCHILD	1N4148		EA	-	-
D18	210043	DIODE ZN 4V3 400MW	PHILIPS	B2X79C4V3	A	EA	-	-
D19	210091	DIODE ZN 5V1 400MW	PHILIPS	B2X79C9V1	A	EA	-	-
D20	213011	DIODE VR 1V4 250MW	PHILIPS	B2V86-1V4		EA	2	-
D21	200001	DIODE GP 75mA 75V	FAIRCHILD	1N4148		EA	-	-
D22	213011	DIODE VR 1V4 250MW	PHILIPS	B2V86-1V4		EA	-	-
D23	200001	DIODE GP 75mA 75V	FAIRCHILD	1N4148		EA	-	-
D24	210056	DIODE ZN 5V6 400MW	PHILIPS	B2X79C5V6	A	EA	2	-
D25	210056	DIODE ZN 5V6 400MW	PHILIPS	B2X79C5V6	A	EA	-	-
D26	213023	DIODE ZN 6V4 100PPM	PHILIPS	B2V10		EA	2	-
D27	213009	DIODE TS 15V 5/500W	UNITRODE	TYS515	A	EA	-	-
D28	220010	DIODE SB	HP	1N5711/1N6263	A	EA	3	-
D29	220010	DIODE SB	HP	1N5711/1N6263	A	EA	-	-
D30	213023	DIODE ZN 6V4 100PPM	PHILIPS	B2V10		EA	-	-
D31	200001	DIODE GP 75mA 75V	FAIRCHILD	1N4148		EA	-	-
D32	200001	DIODE GP 75mA 75V	FAIRCHILD	1N4148		EA	-	-
D33	200001	DIODE GP 75mA 75V	FAIRCHILD	1N4148		EA	-	-
D34	213009	DIODE TS 15V 5/500W	UNITRODE	TYS515	A	EA	-	-
D35	200001	DIODE GP 75mA 75V	FAIRCHILD	1N4148		EA	-	-
D36	200006	DIODE GP 1A 600V	FAIRCHILD	1N4005		EA	2	-
D37	200006	DIODE GP 1A 600V	FAIRCHILD	1N4005		EA	-	-
D38	220010	DIODE SB	HP	1N5711/1N6263	A	EA	-	-
D39	213012	DIODE VR 2V0 250MW	PHILIPS	B2V86-2V0		EA	2	-
D40	210062	DIODE ZN 6V2 400MW	PHILIPS	B2X79C6V2	A	EA	2	-
D41	210062	DIODE ZN 6V2 400MW	PHILIPS	B2X79C6V2	A	EA	-	-
D42	213012	DIODE VR 2V0 250MW	PHILIPS	B2V86-2V0		EA	-	-
D43	210068	DIODE ZN 6V8 400MW	PHILIPS	B2X79C6V8	A	EA	1	-
D44	200001	DIODE GP 75mA 75V	FAIRCHILD	1N4148		EA	-	-
Q1	230035	TRAN JFET N-CHAN	TELEDYNE	U1897JF		EA	35	-
Q2	230035	TRAN JFET N-CHAN	TELEDYNE	U1897JF		EA	-	-
Q3	230035	TRAN JFET N-CHAN	TELEDYNE	U1897JF		EA	-	-
Q4	230035	TRAN JFET N-CHAN	TELEDYNE	U1897JF		EA	-	-
Q5	250004	TRAN PNP TO92	MOTOROLA	2N3906		EA	6	-
Q6	250004	TRAN PNP TO92	MOTOROLA	2N3906		EA	-	-
Q7	240006	TRAN NPN TO92	MOTOROLA	2N3904		EA	4	-
Q8	230035	TRAN JFET N-CHAN	TELEDYNE	U1897JF		EA	-	-
Q9	230035	TRAN JFET N-CHAN	TELEDYNE	U1897JF		EA	-	-

DESIG	PART NO	DESCRIPTION	PRINC MANUF	MANUF PART NUMBER	CLASS	UM	QUANTITY	CHANGES
Q18	250004	TRAN PNP TO92	MOTOROLA	2N3906		EA	-	-
Q19	230001	TRAN JFET I LIM 1.4mA	SILICONIX	J506		EA	3	-
Q20	230035	TRAN JFET N-CHAN	TELEDYNE	U1897JF		EA	-	-
Q21	230035	TRAN JFET N-CHAN	TELEDYNE	U1897JF		EA	-	-
Q22	230035	TRAN JFET N-CHAN	TELEDYNE	U1897JF		EA	-	-
Q23	230035	TRAN JFET N-CHAN	TELEDYNE	U1897JF		EA	-	-
Q24	230035	TRAN JFET N-CHAN	TELEDYNE	U1897JF		EA	-	-
Q25	230035	TRAN JFET N-CHAN	TELEDYNE	U1897JF		EA	-	-
Q26	230035	TRAN JFET N-CHAN	TELEDYNE	U1897JF		EA	-	-
Q27	230035	TRAN JFET N-CHAN	TELEDYNE	U1897JF		EA	-	-
Q28	230035	TRAN JFET N-CHAN	TELEDYNE	U1897JF		EA	-	-
Q29	239060-1	TRAN JFET N-CHAN DUAL - RES	DATRON	SEE DRG		S2	-	-
Q30	260060	IC LIM I SOURCE	NATIONAL	LM334H		EA	1	-
Q31	240043	TRAN NPN TO92 RESERVE STOCK	MOTOROLA	2N3904		EA	2	-
Q32	230035	TRAN JFET N-CHAN	TELEDYNE	U1897JF		EA	-	-
Q33	230035	TRAN JFET N-CHAN	TELEDYNE	U1897JF		EA	-	-
Q34	230035	TRAN JFET N-CHAN	TELEDYNE	U1897JF		EA	-	-
Q35	230035	TRAN JFET N-CHAN	TELEDYNE	U1897JF		EA	-	-
Q36	230035	TRAN JFET N-CHAN	TELEDYNE	U1897JF		EA	-	-
Q37	230035	TRAN JFET N-CHAN	TELEDYNE	U1897JF		EA	-	-
Q38	230035	TRAN JFET N-CHAN	TELEDYNE	U1897JF		EA	-	-
Q39	230035	TRAN JFET N-CHAN	TELEDYNE	U1897JF		EA	-	-
Q40	230035	TRAN JFET N-CHAN	TELEDYNE	U1897JF		EA	-	-
Q41	230046	TRAN JFET N-CHAN DUAL	SILICONIX	VCR11N		EA	1	-
Q42	230001	TRAN JFET I LIM 1.4mA	SILICONIX	J506		EA	-	-
Q43	230001	TRAN JFET I LIM 1.4mA	SILICONIX	J506		EA	-	-
Q44	240043	TRAN NPN TO92 RESERVE STOCK	MOTOROLA	2N3904		EA	-	-
Q45	250001	TRAN PNP	MOTOROLA	BC214		EA	3	-
Q46	250001	TRAN PNP	MOTOROLA	BC214		EA	-	-
Q47	230035	TRAN JFET N-CHAN	TELEDYNE	U1897JF		EA	-	-
Q48	230035	TRAN JFET N-CHAN	TELEDYNE	U1897JF		EA	-	-
Q49	230035	TRAN JFET N-CHAN	TELEDYNE	U1897JF		EA	-	-
Q50	230035	TRAN JFET N-CHAN	TELEDYNE	U1897JF		EA	-	-
Q51	230035	TRAN JFET N-CHAN	TELEDYNE	U1897JF		EA	-	-
Q52	230035	TRAN JFET N-CHAN	TELEDYNE	U1897JF		EA	-	-
Q53	230035	TRAN JFET N-CHAN	TELEDYNE	U1897JF		EA	-	-
Q54	250004	TRAN PNP TO92	MOTOROLA	2N3906		EA	-	-
Q55	240017	TRAN NPN	NATIONAL	LM394H		EA	6	-
Q56	240017	TRAN NPN	NATIONAL	LM394H		EA	-	-
Q57	240017	TRAN NPN	NATIONAL	LM394H		EA	-	-
Q58	240017	TRAN NPN	NATIONAL	LM394H		EA	-	-
Q59	240017	TRAN NPN	NATIONAL	LM394H		EA	-	-
Q60	240017	TRAN NPN	NATIONAL	LM394H		EA	-	-
Q61	230050	TRAN JFET I LIM 2mA	SILICONIX	J508		EA	1	-
Q62	240013	TRAN NPN TO18	MOTOROLA	BC184C		EA	4	-

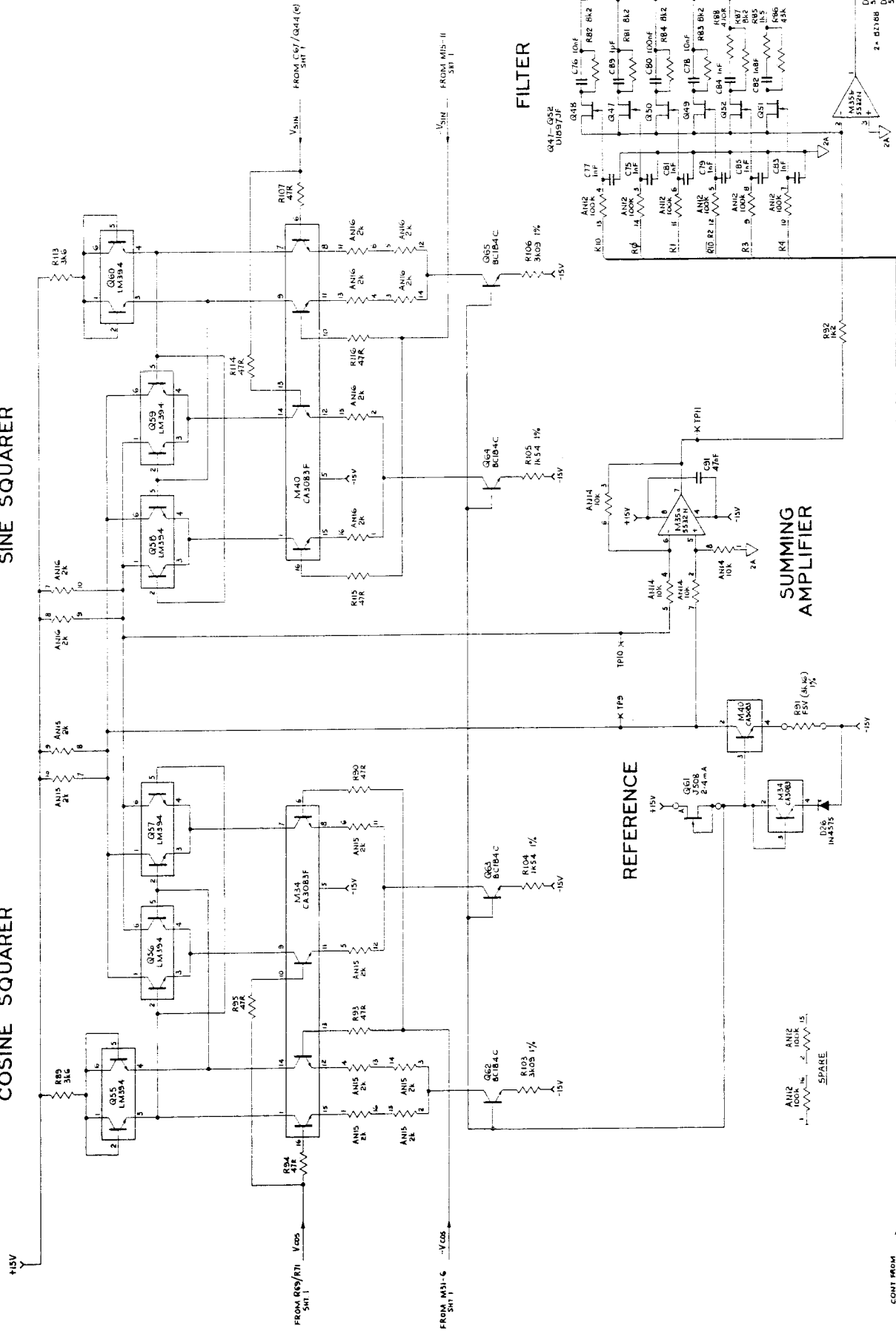
DESIG	PART NO	DESCRIPTION	PRINC MANUF	MANUF PART NUMBER	CLASS	UM	QUANTITY	CHANGES
Q63	240013	TRAN NPN TO18	MOTOROLA	BC184C	EA	-		
Q64	240013	TRAN NPN TO18	MOTOROLA	BC184C	EA	-		
Q65	240013	TRAN NPN TO18	MOTOROLA	BC184C	EA	-		
Q66	230042	TRAN JFET I LIM 3mA	SILICONIX	J509	EA	6		
Q67	230035	TRAN JFET N-CHAN	TELEDYNE	U1897JF	EA	-		
Q68	230035	TRAN JFET N-CHAN	TELEDYNE	U1897JF	EA	-		
Q69	230035	TRAN JFET N-CHAN	TELEDYNE	U1897JF	EA	-		
Q70	240006	TRAN NPN TO92	MOTOROLA	2N3904	EA	2		
Q71	250008	TRAN PNP TO18	MOTOROLA	BC214C	EA	-		
Q72	250008	TRAN PNP TO18	MOTOROLA	BC214C	EA	-		
Q73	230042	TRAN JFET I LIM 3mA	SILICONIX	J509	EA	-		
Q74	230003	TRAN JFET N-CHAN	TELEDYNE	U1899JF	EA	1		
Q75	240006	TRAN NPN TO92	MOTOROLA	2N3904	EA	-		
Q76	239059-1	TRAN JFET N-CHAN DUAL X 2	DATRON	SEE DRG	S2	1		
Q77	239059-1	TRAN JFET N-CHAN DUAL X 2	DATRON	SEE DRG	S2	-		
Q78	240032	TRAN NPN	MOTOROLA	BF393	EA	4		
Q79	240032	TRAN NPN	MOTOROLA	BF393	EA	-		
Q80	240032	TRAN NPN	MOTOROLA	BF393	EA	-		
Q81	240032	TRAN NPN	MOTOROLA	BF393	EA	-		
Q82	230042	TRAN JFET I LIM 3mA	SILICONIX	J509	EA	-		
Q83	240001	TRAN NPN	MOTOROLA	BC184	EA	2		
Q84	230042	TRAN JFET I LIM 3mA	SILICONIX	J509	EA	-		
Q85	250001	TRAN PNP	MOTOROLA	BC214	EA	-		
Q86	240031	TRAN NPN	MOTOROLA	BD139	EA	2		
Q87	230042	TRAN JFET I LIM 3mA	SILICONIX	J509	EA	-		
Q88	240006	TRAN NPN TO92	MOTOROLA	2N3904	EA	-		
Q89	230042	TRAN JFET I LIM 3mA	SILICONIX	J509	EA	-		
Q90	250004	TRAN PNP TO92	MOTOROLA	2N3906	EA	-		
Q91	240001	TRAN NPN	MOTOROLA	BC184	EA	-		
Q92	250004	TRAN PNP TO92	MOTOROLA	2N3906	EA	-		
Q93	240031	TRAN NPN	MOTOROLA	BD139	EA	-		
Q94	250021	TRAN PNP	MOTOROLA	BD140	EA	1		
Q95	230035	TRAN JFET N-CHAN	TELEDYNE	U1897JF	EA	-		
M1	280101	IC DIG COUNT DEC BIN PL X2	MOTOROLA	MC14569BCP	EA	3		
M2	280057	IC DIG COUNT4 SYNC DEC PL UD	MOTOROLA	MC14510BCP	EA	1		
M3	280008	IC DIG NAND2 X4	MOTOROLA	MC14011BCP	EA	1		
M4	280011	IC DIG FLIP FLOP D X2	MOTOROLA	MC14013BCP	EA	2		
M5	280101	IC DIG COUNT DEC BIN PL X2	MOTOROLA	MC14569BCP	EA	-		
M6	280076	IC DIG MUX 8TO1 ANALOG	MOTOROLA	MC14051BCL	A	EA	2	
M7	280079	IC DIG OR2 X4	MOTOROLA	MC14071BCP	EA	1		
M8	280076	IC DIG MUX 8TO1 ANALOG	MOTOROLA	MC14051BCL	A	EA	-	
M9	280101	IC DIG COUNT DEC BIN PL X2	MOTOROLA	MC14569BCP	EA	-		
M10	280025	IC DIG SWITCH QUAD CMOS	MOTOROLA	MC14066BCP	EA	1		
M11	280197	IC DIG PHASE LOCKED LOOP	PHILIPS	74HCT4046AP	EA	1		
M12	280125	IC DIG PHASE DETECTOR	NATIONAL	MM74C932N	EA	1		

DATRON INSTRUMENTS LTD PARTS LIST 07-Jan-92 DESC: ASSY PCB SINE SOURCE 4700 DRG NO: LP400446-11 REV: 5 PAGE NO: 11

DESIG	PART NO	DESCRIPTION	PRINC MANUF	MANUF PART NUMBER	CLASS	UM	QUANTITY	CHANGES
M13	280011	IC DIG FLIP FLOP D X2	MOTOROLA	MC14013BCP	EA	-		
M14	280080	IC DIG HEX SCHMITT TRIGGER	NATIONAL	74C14N	EA	2		
M15	260046	IC LIN OP AMP	HARRIS	HA3 2525-5	EA	3		
M16	260076	IC LIN I MIRROR 1:1	TEXAS	TL011CLP	EA	4		
M17	290090	IC DIG DRIVER DARLINGTON X7	EXAR	XR2202CP	A	EA	4	
M18	260076	IC LIN I MIRROR 1:1	TEXAS	TL011CLP	EA	-		
M19	260134	IC LIN OP AMP FET IP F/SET	ANALOG DEVICES	AD744JN	A	EA	2	
M20	290090	IC DIG DRIVER DARLINGTON X7	EXAR	XR2202CP	EA	-		
M21	280080	IC DIG HEX SCHMITT TRIGGER	NATIONAL	74C14N	EA	-		
M22	260087	IC LIN OP AMP BIFET	MOTOROLA	MC34081P	EA	5		
M23	260133	IC LIN OP AMP	MOTOROLA	MC34080P	EA	2		
M24	260087	IC LIN OP AMP BIFET	MOTOROLA	MC34081P	EA	-		
M25	260087	IC LIN OP AMP BIFET	MOTOROLA	MC34081P	EA	-		
M26	260076	IC LIN I MIRROR 1:1	TEXAS	TL011CLP	EA	-		
M27	260076	IC LIN I MIRROR 1:1	TEXAS	TL011CLP	EA	-		
M28	290090	IC DIG DRIVER DARLINGTON X7	EXAR	XR2202CP	A	EA	-	
M29	280035	IC DIG DECODER BCDTODEC	MOTOROLA	MC14028BCP	EA	1		
M30	260134	IC LIN OP AMP FET IP F/SET	ANALOG DEVICES	AD744JN	EA	-		
M31	260133	IC LIN OP AMP	MOTOROLA	MC34080P	EA	-		
M32	260057	IC LIN OP AMP	SIGNETICS	NE5534N	EA	1		
M33	290090	IC DIG DRIVER DARLINGTON X7	EXAR	XR2202CP	A	EA	-	
M34	290000	TRAN NPN ARRAY X 5	SILICON GENERAL	SG3083J	A	EA	2	
M35	260042	IC LIN OP AMP DUAL	SIGNETICS	NE5532N	EA	1		
M36	280023	IC DIG NOR2 QUAD	MOTOROLA	MC14001UBCP	EA	1		
M37	260078	IC LIN V COMP DUAL	NATIONAL	LM393AN	EA	1		
M38	280126	IC DIG DAC	ANALOG DEVICES	AD7527LN	A	EA	1	
M39	260033	IC LIN REG 5V .1A	MOTOROLA	MC78L05ACP	A	EA	3	
M40	290000	TRAN NPN ARRAY X 5	SILICON GENERAL	SG3083J	A	EA	-	
M41	260042	IC LIN OP AMP DUAL	SIGNETICS	NE5532N	EA	-		
M42	280127	IC DIG DAC MULT 10BIT	ANALOG DEVICES	AD7533JN	EA	2		
M43	280127	IC DIG DAC MULT 10BIT	ANALOG DEVICES	AD7533JN	EA	-		
M44	260087	IC LIN OP AMP BIFET	MOTOROLA	MC34081P	EA	-		
M45	260027	IC LIN OP AMP	FAIRCHILD	UA714HC	A	EA	1	
M46	260046	IC LIN OP AMP	HARRIS	HA3 2525-5	EA	-		
M47	260087	IC LIN OP AMP BIFET	MOTOROLA	MC34081P	EA	-		
M48	260046	IC LIN OP AMP	HARRIS	HA3 2525-5	EA	-		
M49	260049	IC LIN V COMP DUAL	NATIONAL	LM319N	EA	1		
M50	260033	IC LIN REG 5V .1A	MOTOROLA	MC78L05ACP	A	EA	-	
M51	260033	IC LIN REG 5V .1A	MOTOROLA	MC78L05ACP	A	EA	-	
RL1	330012-3	RELAY 1PNO REED GUARDED	HAMLIN	HE721A5134 TO DRG	EA	8		
RL2	330012-3	RELAY 1PNO REED GUARDED	HAMLIN	HE721A5134 TO DRG	EA	-		
RL3	330012-3	RELAY 1PNO REED GUARDED	HAMLIN	HE721A5134 TO DRG	EA	-		
RL4	330012-3	RELAY 1PNO REED GUARDED	HAMLIN	HE721A5134 TO DRG	EA	-		
RL5	330012-3	RELAY 1PNO REED GUARDED	HAMLIN	HE721A5134 TO DRG	EA	-		
RL6	330012-3	RELAY 1PNO REED GUARDED	HAMLIN	HE721A5134 TO DRG	EA	-		

### COSINE SQUARER

### SINE SQUARER

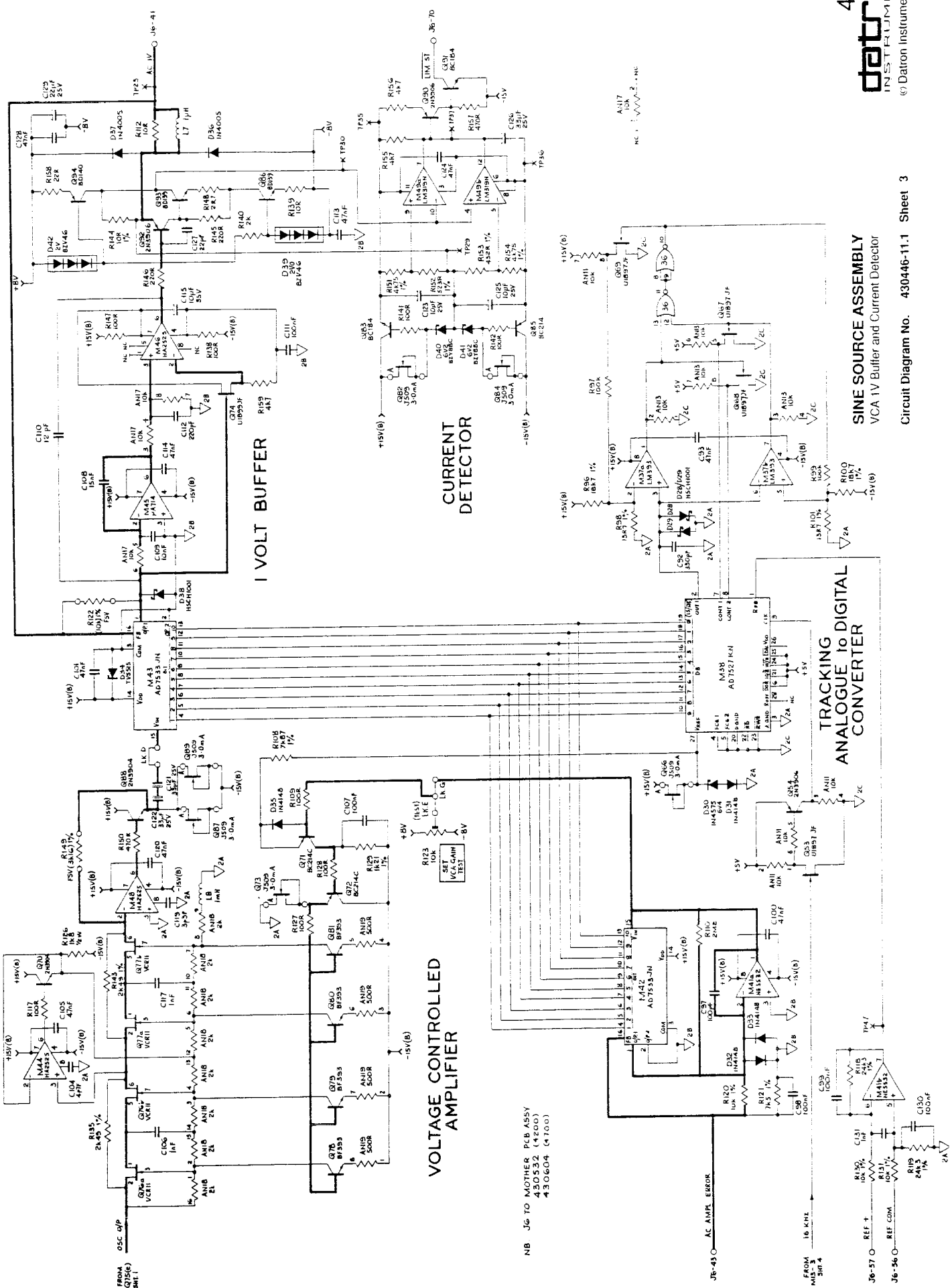


**SINE SOURCE ASSEMBLY**  
Oscillator Amplitude Detector and Reference





**SINE SOURCE ASSEMBLY**  
 VCA TV Buffer and Current Detector



NB. J6 TO MOTHER PCB ASSY  
 430532 (4200)  
 430604 (4700)

16 K7FL

FROM M42-3 3IN4

J6-57 O REF +

J6-56 O REF COM

J6-55 O REF GND

J6-54 O REF +

J6-53 O REF -

J6-52 O REF GND

J6-51 O REF +

J6-50 O REF -

J6-49 O REF GND

J6-48 O REF +

J6-47 O REF -

J6-46 O REF GND

J6-45 O REF +

J6-44 O REF -

J6-43 O REF GND

J6-42 O REF +

J6-41 O REF -

J6-40 O REF GND

J6-39 O REF +

J6-38 O REF -

J6-37 O REF GND

J6-36 O REF +

J6-35 O REF -

J6-34 O REF GND

J6-33 O REF +

J6-32 O REF -

J6-31 O REF GND

J6-30 O REF +

J6-29 O REF -

J6-28 O REF GND

J6-27 O REF +

J6-26 O REF -

J6-25 O REF GND

J6-24 O REF +

J6-23 O REF -

J6-22 O REF GND

J6-21 O REF +

J6-20 O REF -

J6-19 O REF GND

J6-18 O REF +

J6-17 O REF -

J6-16 O REF GND

J6-15 O REF +

J6-14 O REF -

J6-13 O REF GND

J6-12 O REF +

J6-11 O REF -

J6-10 O REF GND

J6-9 O REF +

J6-8 O REF -

J6-7 O REF GND

J6-6 O REF +

J6-5 O REF -

J6-4 O REF GND

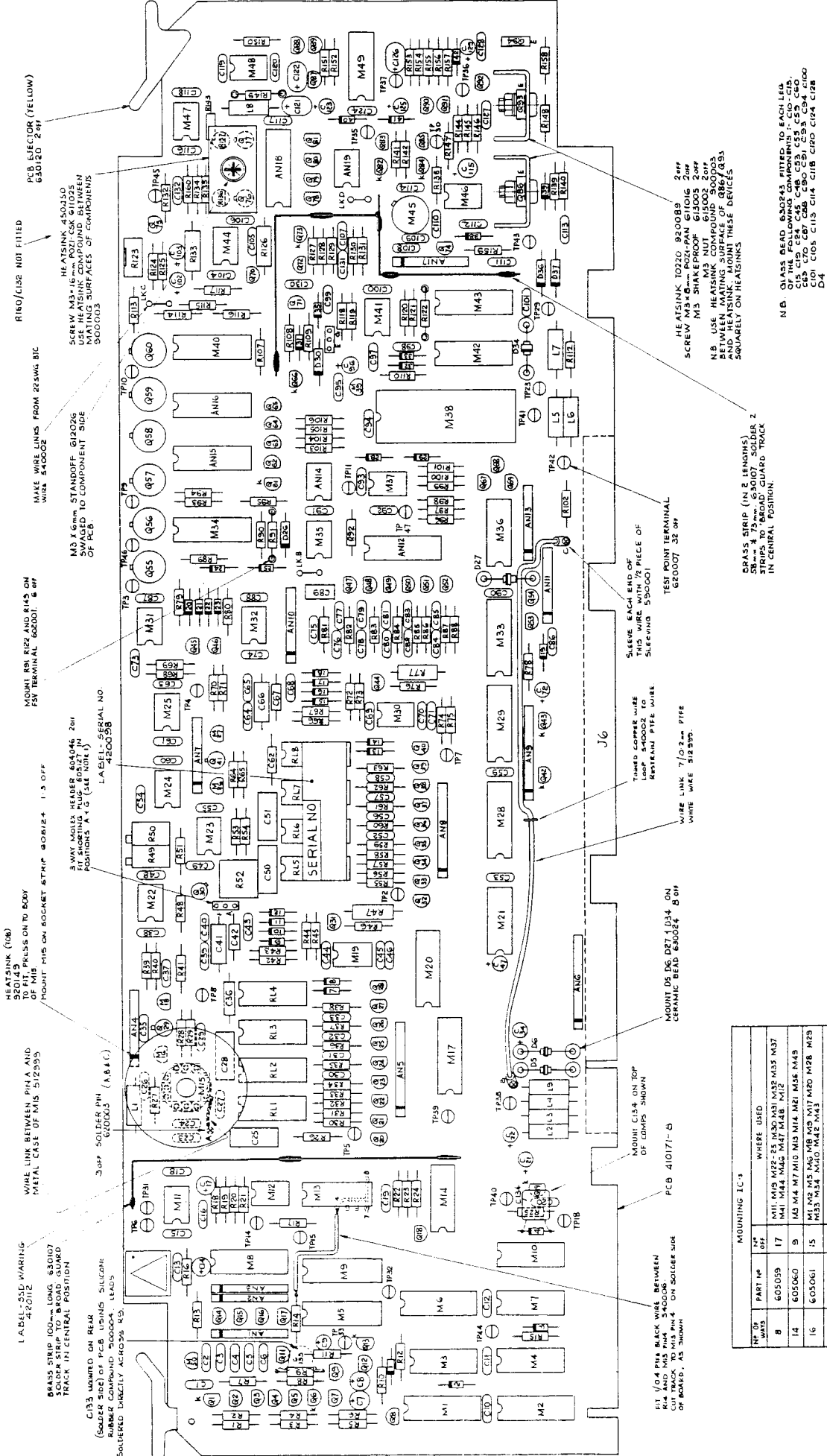
J6-3 O REF +

J6-2 O REF -

J6-1 O REF GND

**SINE SOURCE ASSEMBLY**

NOTE: FIT LINK 2 AND LINK F IN P  
LINK W AND LINK G FOR T



HEATSINK (106)  
520149  
FIT M15 PRESS ON TO BODY  
MOUNT THIS ON SOCKET STRIP 608124 1.3 OFF

HEATSINK (108)  
520149  
FIT M15 PRESS ON TO BODY  
MOUNT THIS ON SOCKET STRIP 608124 1.3 OFF

HEATSINK (108)  
520149  
FIT M15 PRESS ON TO BODY  
MOUNT THIS ON SOCKET STRIP 608124 1.3 OFF

HEATSINK (108)  
520149  
FIT M15 PRESS ON TO BODY  
MOUNT THIS ON SOCKET STRIP 608124 1.3 OFF

HEATSINK (108)  
520149  
FIT M15 PRESS ON TO BODY  
MOUNT THIS ON SOCKET STRIP 608124 1.3 OFF

HEATSINK (108)  
520149  
FIT M15 PRESS ON TO BODY  
MOUNT THIS ON SOCKET STRIP 608124 1.3 OFF

HEATSINK (108)  
520149  
FIT M15 PRESS ON TO BODY  
MOUNT THIS ON SOCKET STRIP 608124 1.3 OFF

HEATSINK (108)  
520149  
FIT M15 PRESS ON TO BODY  
MOUNT THIS ON SOCKET STRIP 608124 1.3 OFF

HEATSINK (108)  
520149  
FIT M15 PRESS ON TO BODY  
MOUNT THIS ON SOCKET STRIP 608124 1.3 OFF

HEATSINK (108)  
520149  
FIT M15 PRESS ON TO BODY  
MOUNT THIS ON SOCKET STRIP 608124 1.3 OFF

HEATSINK (108)  
520149  
FIT M15 PRESS ON TO BODY  
MOUNT THIS ON SOCKET STRIP 608124 1.3 OFF

HEATSINK (108)  
520149  
FIT M15 PRESS ON TO BODY  
MOUNT THIS ON SOCKET STRIP 608124 1.3 OFF

HEATSINK (108)  
520149  
FIT M15 PRESS ON TO BODY  
MOUNT THIS ON SOCKET STRIP 608124 1.3 OFF

HEATSINK (108)  
520149  
FIT M15 PRESS ON TO BODY  
MOUNT THIS ON SOCKET STRIP 608124 1.3 OFF

HEATSINK (108)  
520149  
FIT M15 PRESS ON TO BODY  
MOUNT THIS ON SOCKET STRIP 608124 1.3 OFF

HEATSINK (108)  
520149  
FIT M15 PRESS ON TO BODY  
MOUNT THIS ON SOCKET STRIP 608124 1.3 OFF

HEATSINK (108)  
520149  
FIT M15 PRESS ON TO BODY  
MOUNT THIS ON SOCKET STRIP 608124 1.3 OFF

HEATSINK (108)  
520149  
FIT M15 PRESS ON TO BODY  
MOUNT THIS ON SOCKET STRIP 608124 1.3 OFF

HEATSINK (108)  
520149  
FIT M15 PRESS ON TO BODY  
MOUNT THIS ON SOCKET STRIP 608124 1.3 OFF

HEATSINK (108)  
520149  
FIT M15 PRESS ON TO BODY  
MOUNT THIS ON SOCKET STRIP 608124 1.3 OFF

HEATSINK (108)  
520149  
FIT M15 PRESS ON TO BODY  
MOUNT THIS ON SOCKET STRIP 608124 1.3 OFF

HEATSINK (108)  
520149  
FIT M15 PRESS ON TO BODY  
MOUNT THIS ON SOCKET STRIP 608124 1.3 OFF

HEATSINK (108)  
520149  
FIT M15 PRESS ON TO BODY  
MOUNT THIS ON SOCKET STRIP 608124 1.3 OFF

HEATSINK (108)  
520149  
FIT M15 PRESS ON TO BODY  
MOUNT THIS ON SOCKET STRIP 608124 1.3 OFF

HEATSINK (108)  
520149  
FIT M15 PRESS ON TO BODY  
MOUNT THIS ON SOCKET STRIP 608124 1.3 OFF

HEATSINK (108)  
520149  
FIT M15 PRESS ON TO BODY  
MOUNT THIS ON SOCKET STRIP 608124 1.3 OFF

HEATSINK (108)  
520149  
FIT M15 PRESS ON TO BODY  
MOUNT THIS ON SOCKET STRIP 608124 1.3 OFF

HEATSINK (108)  
520149  
FIT M15 PRESS ON TO BODY  
MOUNT THIS ON SOCKET STRIP 608124 1.3 OFF

HEATSINK (108)  
520149  
FIT M15 PRESS ON TO BODY  
MOUNT THIS ON SOCKET STRIP 608124 1.3 OFF

HEATSINK (108)  
520149  
FIT M15 PRESS ON TO BODY  
MOUNT THIS ON SOCKET STRIP 608124 1.3 OFF

HEATSINK (108)  
520149  
FIT M15 PRESS ON TO BODY  
MOUNT THIS ON SOCKET STRIP 608124 1.3 OFF

HEATSINK (108)  
520149  
FIT M15 PRESS ON TO BODY  
MOUNT THIS ON SOCKET STRIP 608124 1.3 OFF

HEATSINK (108)  
520149  
FIT M15 PRESS ON TO BODY  
MOUNT THIS ON SOCKET STRIP 608124 1.3 OFF

HEATSINK (108)  
520149  
FIT M15 PRESS ON TO BODY  
MOUNT THIS ON SOCKET STRIP 608124 1.3 OFF

HEATSINK (108)  
520149  
FIT M15 PRESS ON TO BODY  
MOUNT THIS ON SOCKET STRIP 608124 1.3 OFF

HEATSINK (108)  
520149  
FIT M15 PRESS ON TO BODY  
MOUNT THIS ON SOCKET STRIP 608124 1.3 OFF

HEATSINK (108)  
520149  
FIT M15 PRESS ON TO BODY  
MOUNT THIS ON SOCKET STRIP 608124 1.3 OFF

HEATSINK (108)  
520149  
FIT M15 PRESS ON TO BODY  
MOUNT THIS ON SOCKET STRIP 608124 1.3 OFF

HEATSINK (108)  
520149  
FIT M15 PRESS ON TO BODY  
MOUNT THIS ON SOCKET STRIP 608124 1.3 OFF

HEATSINK (108)  
520149  
FIT M15 PRESS ON TO BODY  
MOUNT THIS ON SOCKET STRIP 608124 1.3 OFF

HEATSINK (108)  
520149  
FIT M15 PRESS ON TO BODY  
MOUNT THIS ON SOCKET STRIP 608124 1.3 OFF

HEATSINK (108)  
520149  
FIT M15 PRESS ON TO BODY  
MOUNT THIS ON SOCKET STRIP 608124 1.3 OFF

HEATSINK (108)  
520149  
FIT M15 PRESS ON TO BODY  
MOUNT THIS ON SOCKET STRIP 608124 1.3 OFF

HEATSINK (108)  
520149  
FIT M15 PRESS ON TO BODY  
MOUNT THIS ON SOCKET STRIP 608124 1.3 OFF

HEATSINK (108)  
520149  
FIT M15 PRESS ON TO BODY  
MOUNT THIS ON SOCKET STRIP 608124 1.3 OFF

HEATSINK (108)  
520149  
FIT M15 PRESS ON TO BODY  
MOUNT THIS ON SOCKET STRIP 608124 1.3 OFF

HEATSINK (108)  
520149  
FIT M15 PRESS ON TO BODY  
MOUNT THIS ON SOCKET STRIP 608124 1.3 OFF

HEATSINK (108)  
520149  
FIT M15 PRESS ON TO BODY  
MOUNT THIS ON SOCKET STRIP 608124 1.3 OFF

HEATSINK (108)  
520149  
FIT M15 PRESS ON TO BODY  
MOUNT THIS ON SOCKET STRIP 608124 1.3 OFF

HEATSINK (108)  
520149  
FIT M15 PRESS ON TO BODY  
MOUNT THIS ON SOCKET STRIP 608124 1.3 OFF

HEATSINK (108)  
520149  
FIT M15 PRESS ON TO BODY  
MOUNT THIS ON SOCKET STRIP 608124 1.3 OFF

HEATSINK (108)  
520149  
FIT M15 PRESS ON TO BODY  
MOUNT THIS ON SOCKET STRIP 608124 1.3 OFF

HEATSINK (108)  
520149  
FIT M15 PRESS ON TO BODY  
MOUNT THIS ON SOCKET STRIP 608124 1.3 OFF

HEATSINK (108)  
520149  
FIT M15 PRESS ON TO BODY  
MOUNT THIS ON SOCKET STRIP 608124 1.3 OFF

HEATSINK (108)  
520149  
FIT M15 PRESS ON TO BODY  
MOUNT THIS ON SOCKET STRIP 608124 1.3 OFF

MOUNTING IC'S	WHERE USED
8	M11, M15, M22-23, M30, M31, M32, M33, M37
14	M4, M44, M45, M47, M48, M12
16	M1, M4, M7, M10, M13, M14, M21, M36, M43
28	M1, M2, M5, M6, M8, M15, M17, M20, M28, M29, M33, M34, M40, M42, M43

HEATSINK (108)  
520149  
FIT M15 PRESS ON TO BODY  
MOUNT THIS ON SOCKET STRIP 608124 1.3 OFF

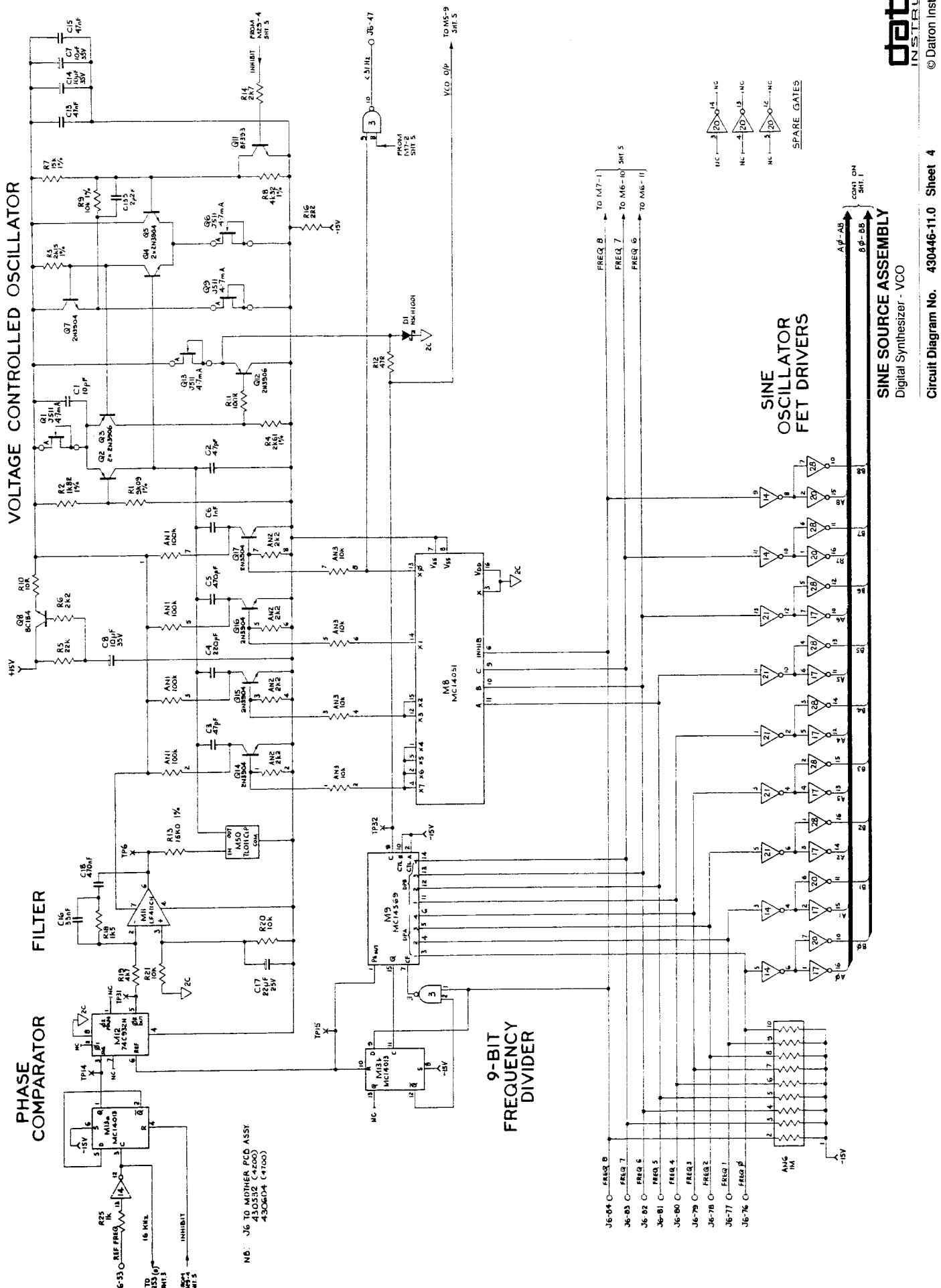
HEATSINK (108)  
520149  
FIT M15 PRESS ON TO BODY  
MOUNT THIS ON SOCKET STRIP 608124 1.3 OFF

HEATSINK (108)  
520149  
FIT M15 PRESS ON TO BODY  
MOUNT THIS ON SOCKET STRIP 608124 1.3 OFF

HEATSINK (108)  
520149  
FIT M15 PRESS ON TO BODY  
MOUNT THIS ON SOCKET STRIP 608124 1.3 OFF

HEATSINK (108)  
520149  
FIT M15 PRESS ON TO BODY  
MOUNT THIS ON SOCKET STRIP 608124 1.3 OFF

HEATSINK (108)  
520149  
FIT M15 PRESS ON TO BODY  
MOUNT THIS ON SOCKET STRIP 608124 1.3 OFF



**VOLTAGE CONTROLLED OSCILLATOR**

**FILTER**

**PHASE COMPARATOR**

**9-BIT FREQUENCY DIVIDER**

**SINE OSCILLATOR FET DRIVERS**

**SINE SOURCE ASSEMBLY**  
 Digital Synthesizer - VCO

SINE SOURCE ASSEMBLY

NOTE: FIT LINK 'E' AND LINK 'F' IN P LINK 'X' AND LINK 'G' FOR 1

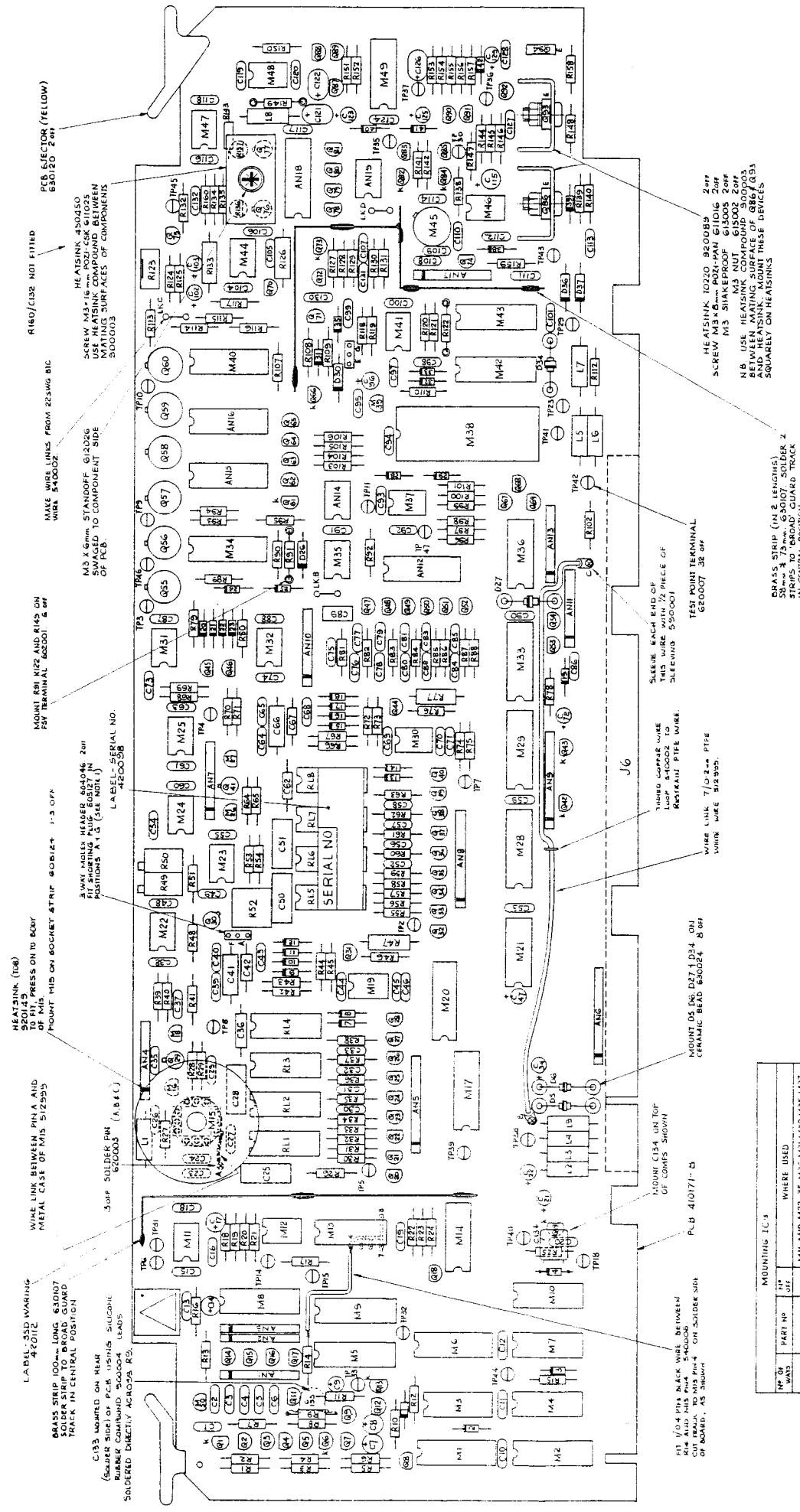
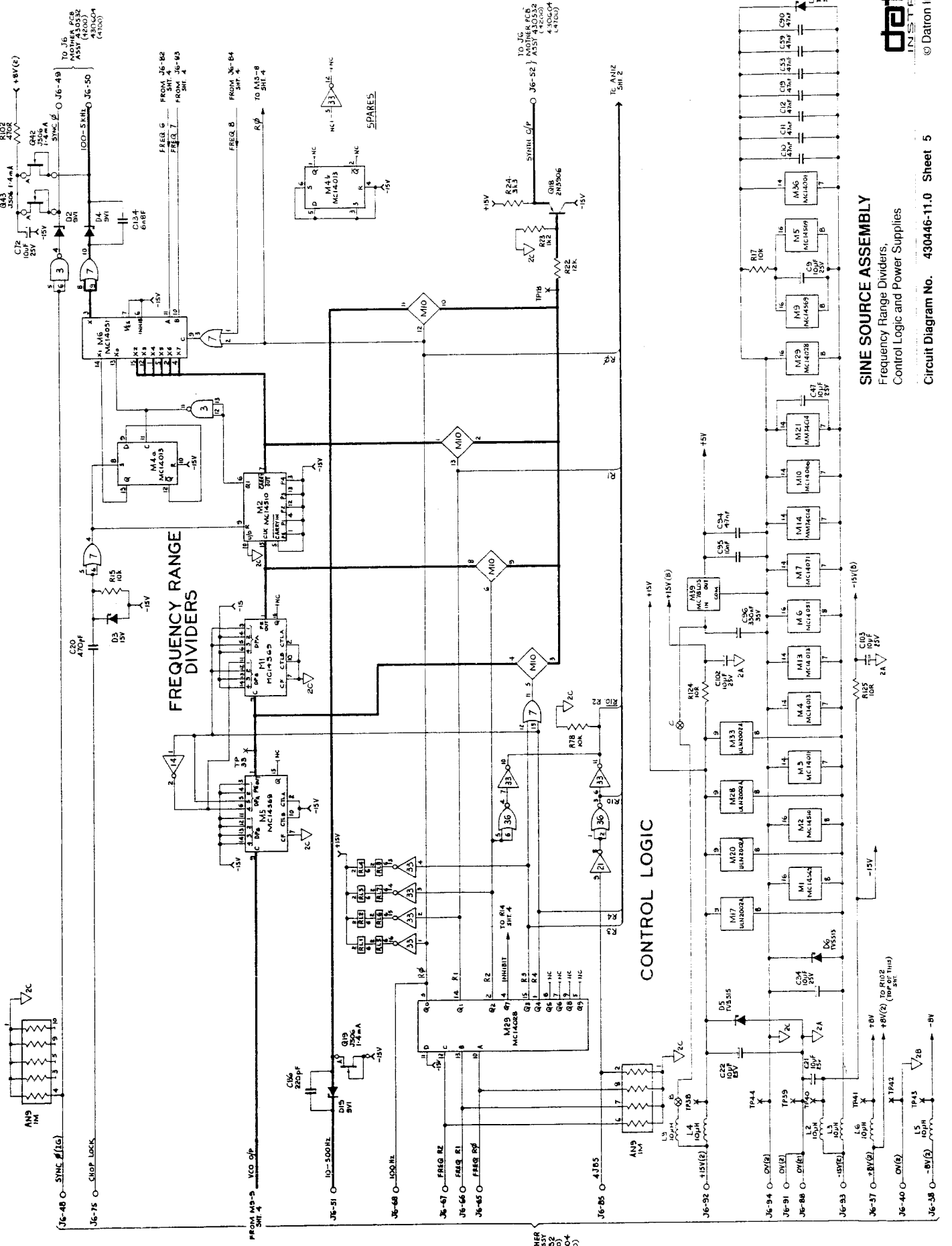


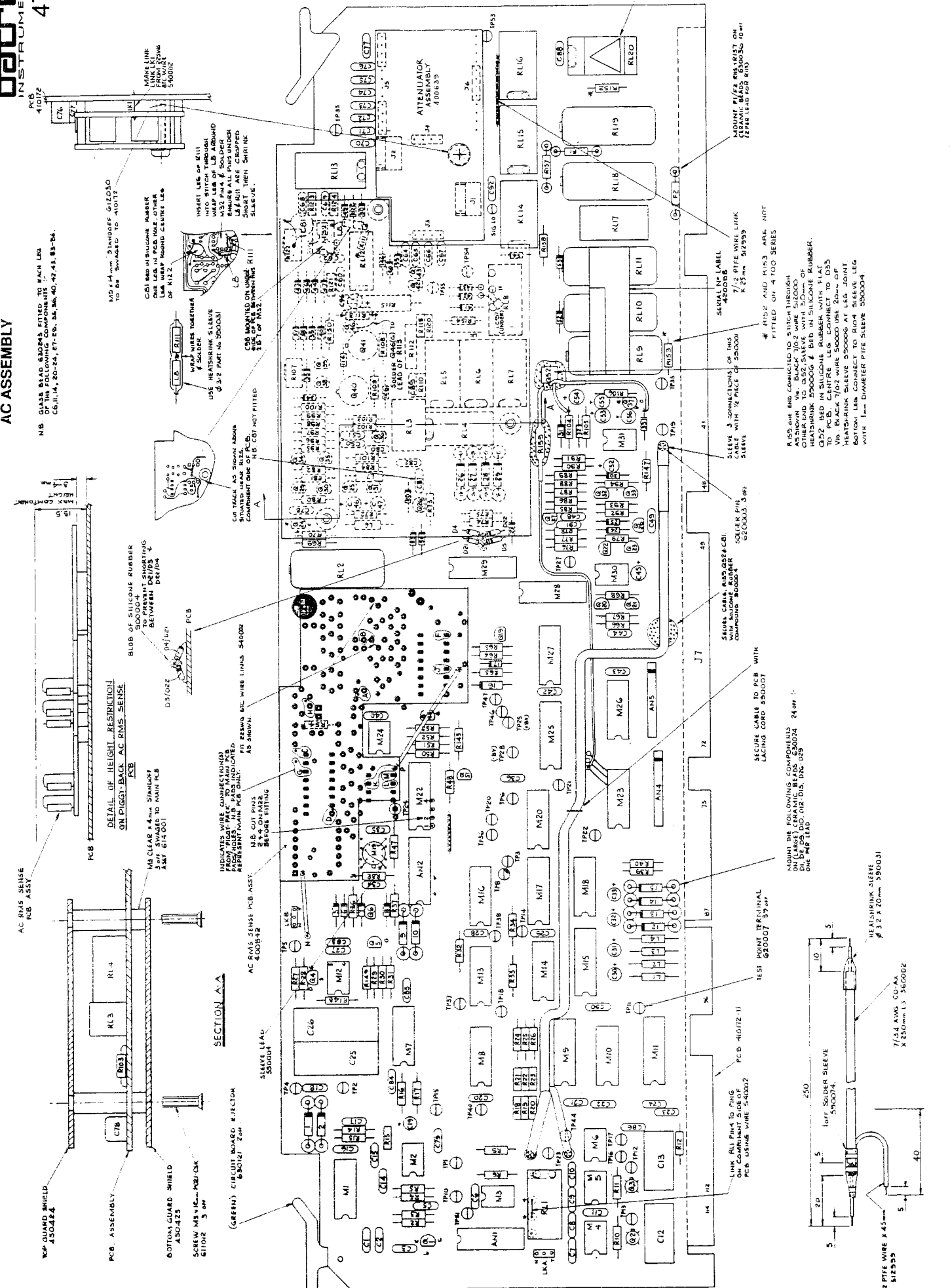
TABLE: MOUNTING I.C.s

REF. MARK	PART NO.	WHERE USED
8	605059	M11, M15, M22-25, M30, M31, M32, M33, M37
14	605060	M3, M4, M7, M10, M13, M14, M21, M36, M45
16	605061	M1, M2, M5, M6, M8, M9, M17, M20, M28, M29
28	605065	M35, M34, M40, M42, M43



**SINE SOURCE ASSEMBLY**  
 Frequency Range Dividers,  
 Control Logic and Power Supplies

Circuit Diagram No. 430446-11.0 Sheet 5



SECTION A-A

NOTE THE FOLLOWING COMPONENTS ON 52 09 DID NOT DIS. DRG 028 ONE PH LEAD

SECURE CABLE TO PCB WITH LACING CORE 550001

SLEEVE 3 CONNECTIONS OF THIS CABLE WITH 1/2 PIECE OF 550001 SLEEVE

SERIAL N° LABEL 480085 7/2 PTFE WIRE LINK 4.5mm 315355 # R152 AND R153 ARE NOT FITTED ON 4 T00 SERIES

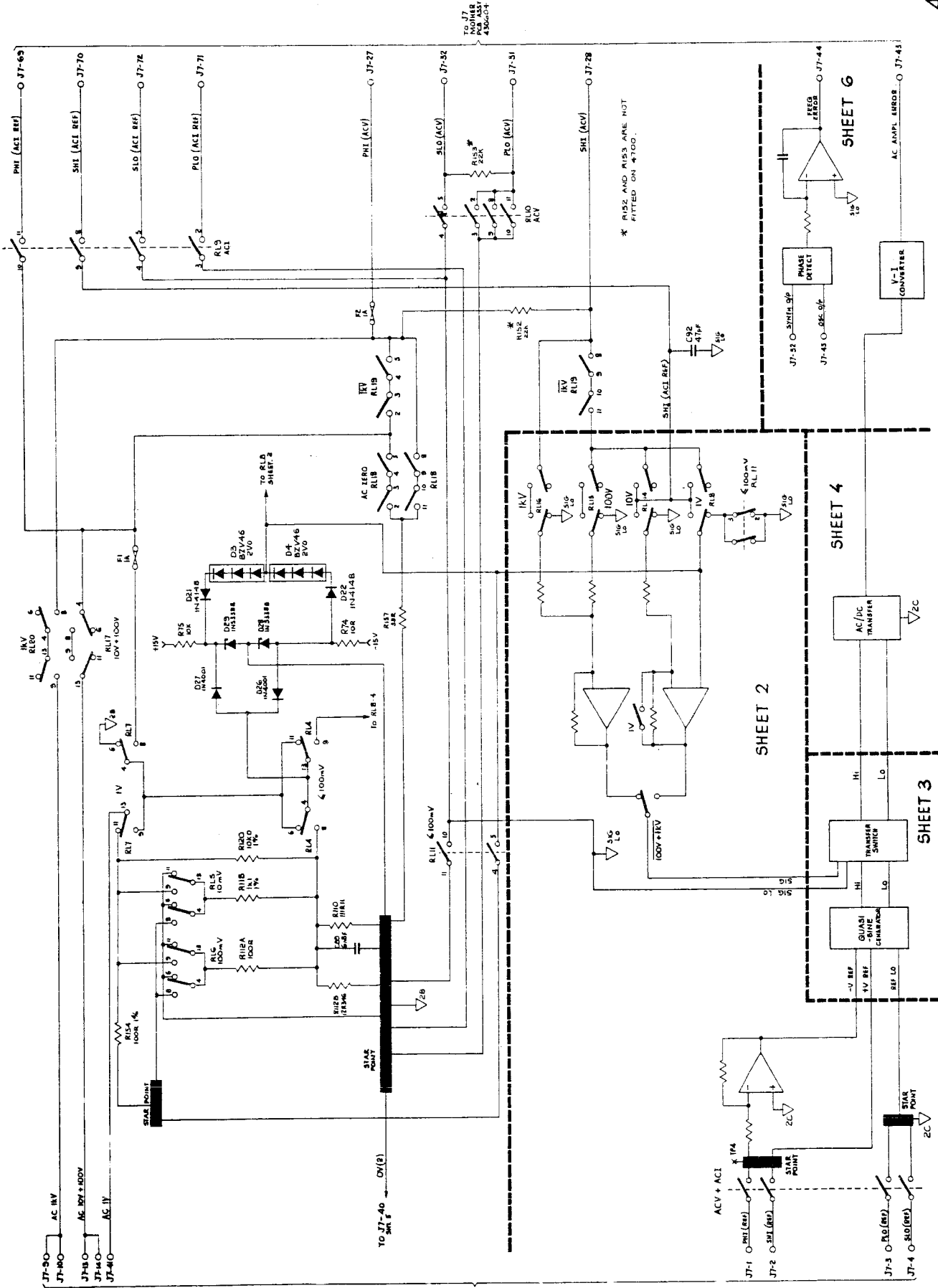
MOUNT PH4 LABEL ON CURANT BEAD 540002 ON PAPER LEAD FOR R15

LINK R11 PH4 TO PH6 ON COMMENTOR SLICE OF PCB USING WIRE 540002

TEST POINT TERMINAL 620007 37.07

7/34 AWG CO-AX X 250mm L3 560002

7/2 PTFE WIRE X 45mm 515355



**AC ASSEMBLY**

N.B. GLASS BEAD RESISTS FITTED TO EACH LEG  
C6, J1, J4, 20, 24, 27, 29, 35, 36, 40, 42, 43, 83, 84.

MS 14mm STAINLESS STEEL GROMMET  
TO BE SWARDED TO 41017Z

USE HEADSHRINK SLEEVE  
Ø 3.2 PART IN 500001

WELD WIRES TOGETHER  
WITH SOLDER

INSERT LEG OF R111  
INTO SWITCH MOUNTING  
ENSURE ALL PINS UNDER  
SAFE RILL ARE CROPPED  
WITH SHARP  
SLEEVE.

CUT TRACK AS SHOWN ABOVE  
COMPARING PART SIZES  
WITH MAIN PCB. N.B. PCB NOT FITTED.

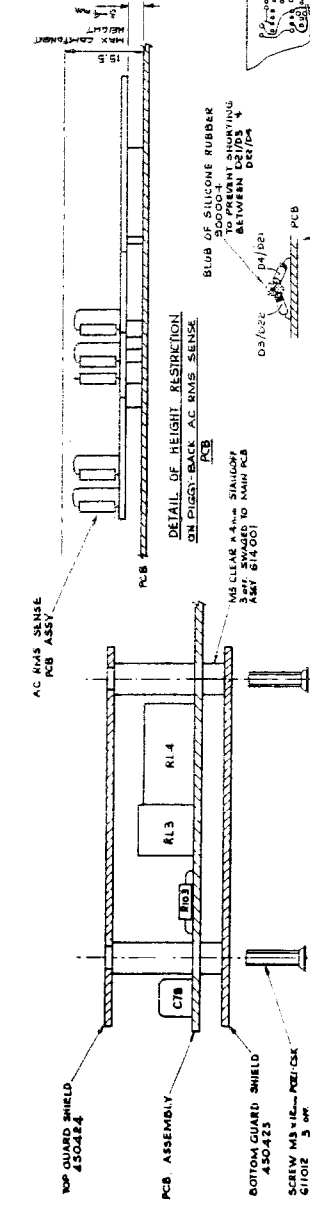
USE HEADSHRINK SLEEVE  
Ø 3.2 PART IN 500001

WELD WIRES TOGETHER  
WITH SOLDER

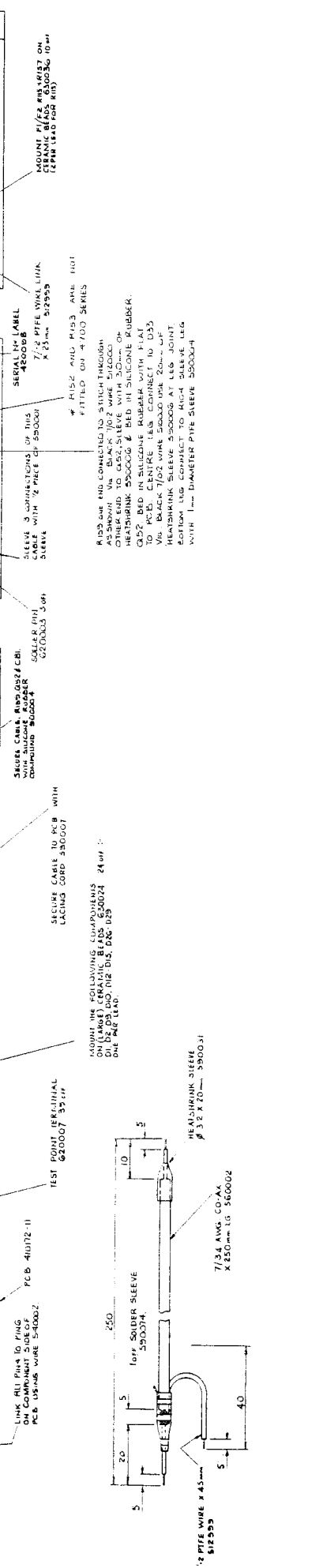
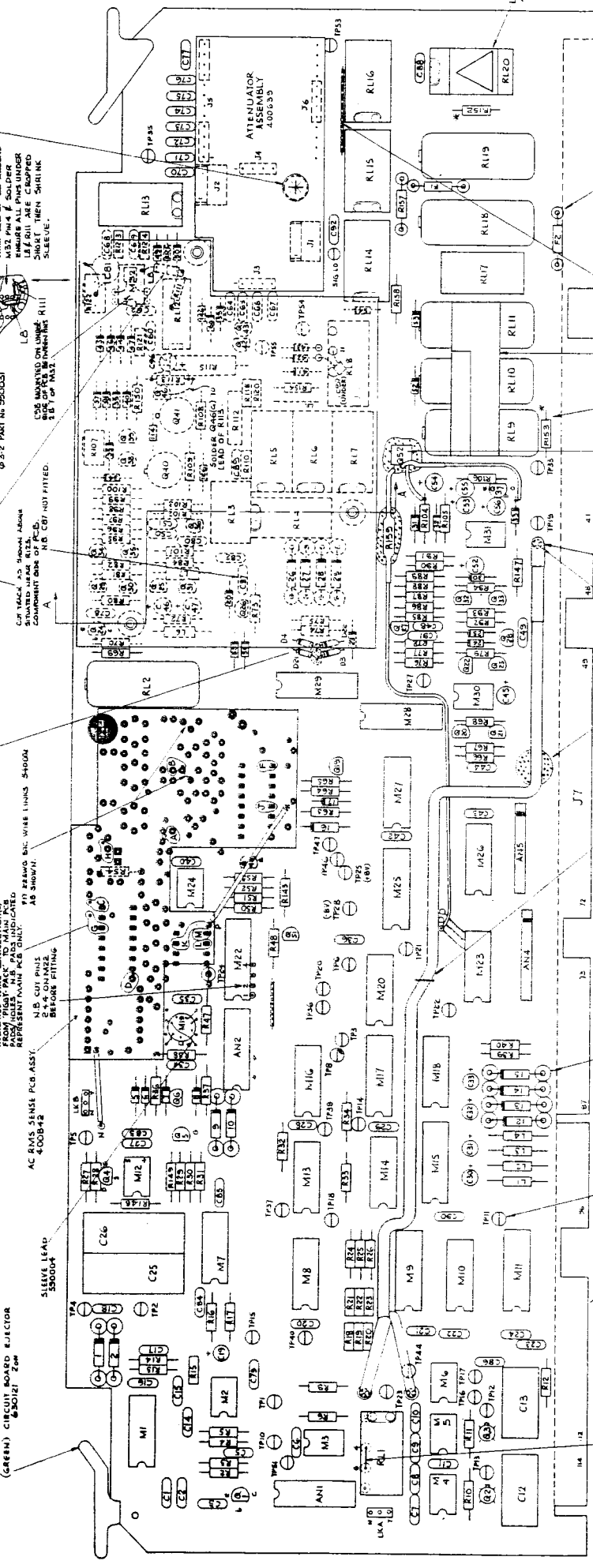
INSERT LEG OF R111  
INTO SWITCH MOUNTING  
ENSURE ALL PINS UNDER  
SAFE RILL ARE CROPPED  
WITH SHARP  
SLEEVE.

MS 14mm STAINLESS STEEL GROMMET  
TO BE SWARDED TO 41017Z

MAKE LINK IN SILICONE RUBBER  
ONE LEG IN PCB HOLES, OTHER  
LEG IN MAIN PCB HOLES  
FIT TO STAINLESS  
STEEL GROMMET



SECTION A-A



LABEL 55D  
420112

MOUNT P1/2 IN 46187 ON  
CERAMIC BLADES (600330 10mm  
LEAD FOR 41017Z)

R105 AND R103 ARE NOT  
FITTED FOR 4700 SERIES

SERIAL TAG LABEL  
400608

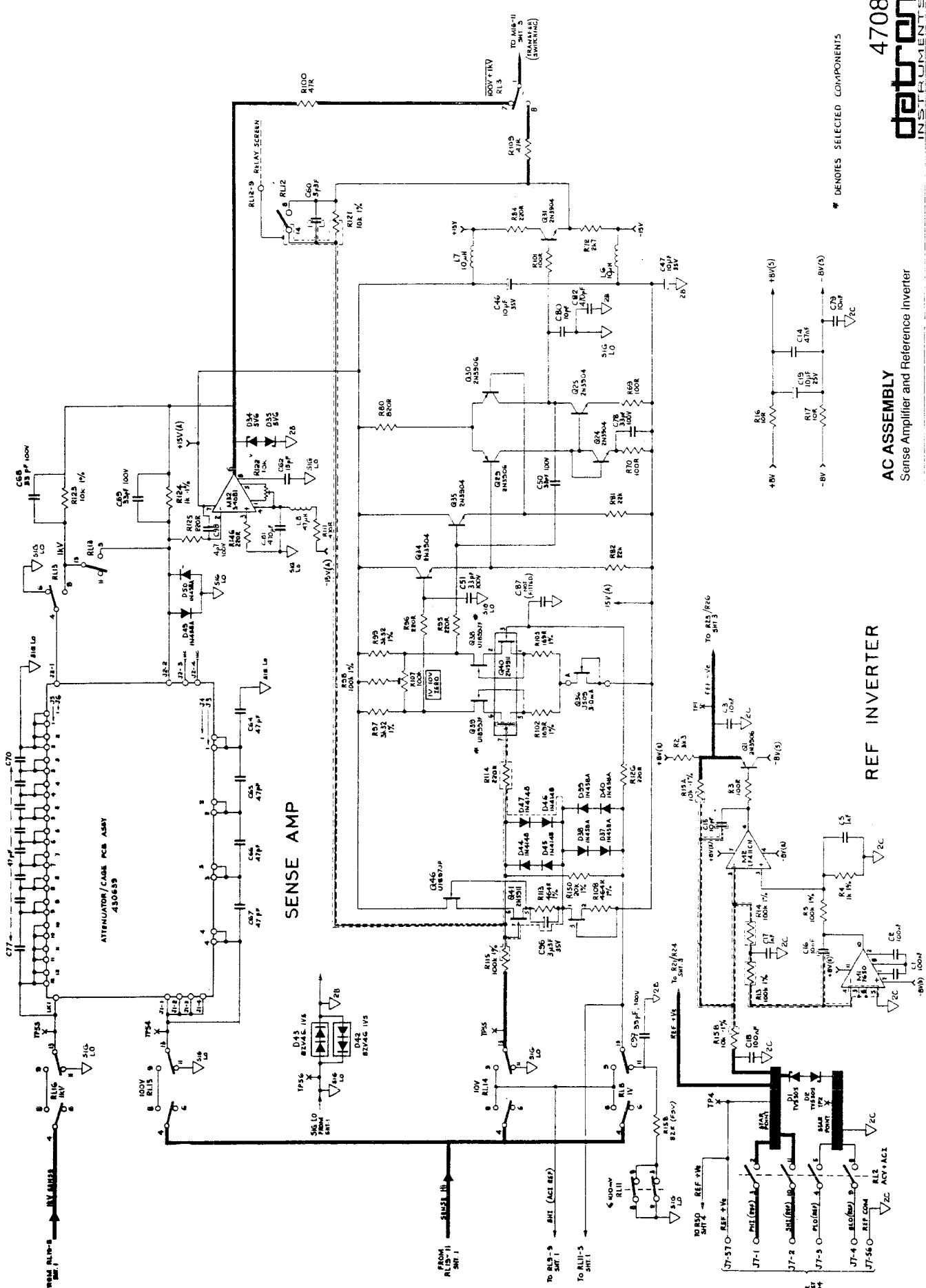
SLEEVE 3 COMPARE 20mm OF THIS  
CABLE WITH 1/2 PTFE WIRE LINK  
SLEEVE

R105 AND R103 ARE NOT  
FITTED FOR 4700 SERIES

HEADSHRINK SLEEVE  
Ø 3.2 X 20mm 500004

7/32 ANG. CO. AX.  
X 250mm LG. 500002



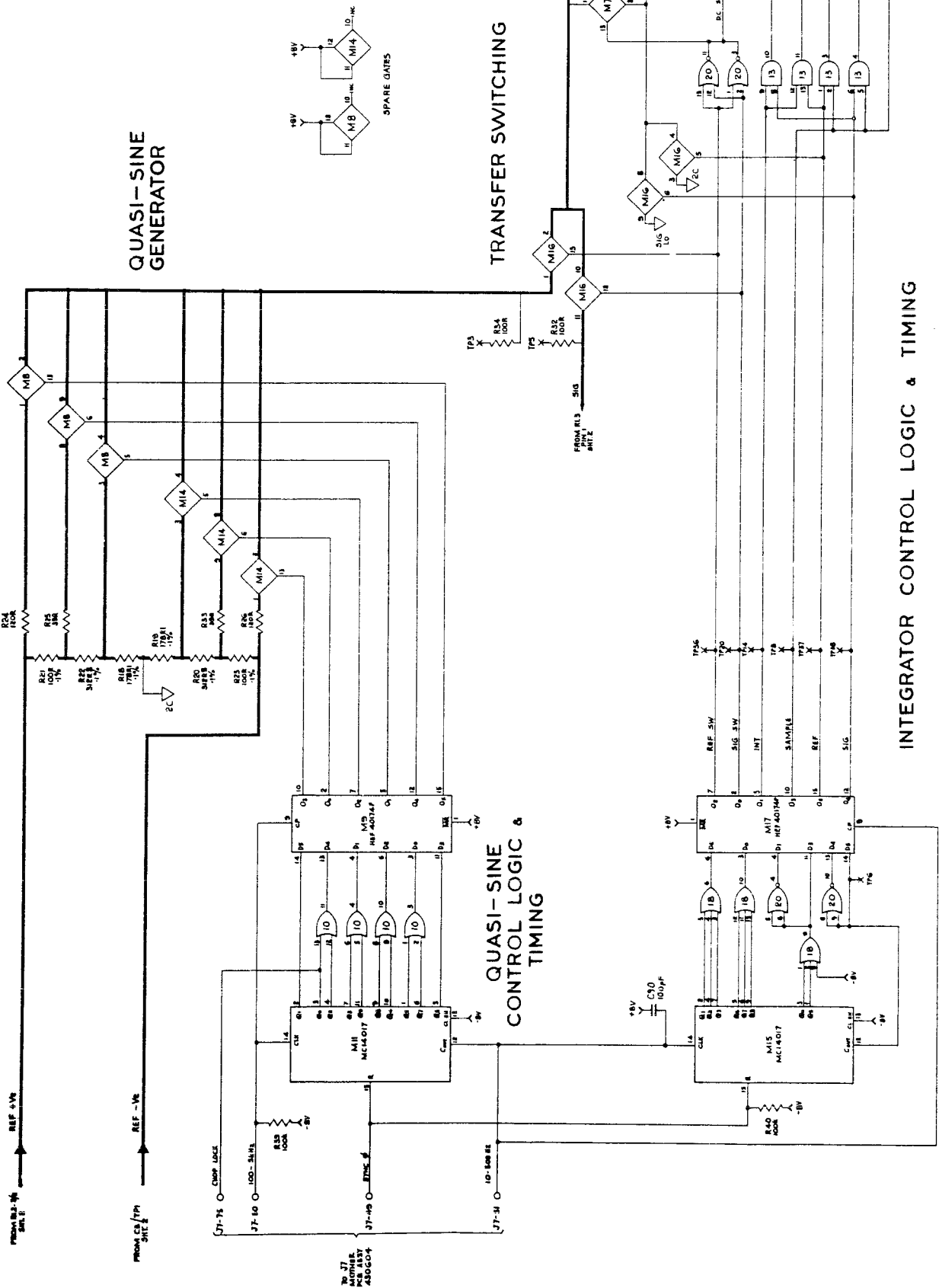


\* DENOTES SELECTED COMPONENTS

**AC ASSEMBLY**  
 Sense Amplifier and Reference Inverter

**REF INVERTER**



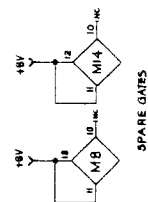


QUASI-SINE GENERATOR

QUASI-SINE CONTROL LOGIC & TIMING

TRANSFER SWITCHING

INTEGRATOR CONTROL LOGIC & TIMING

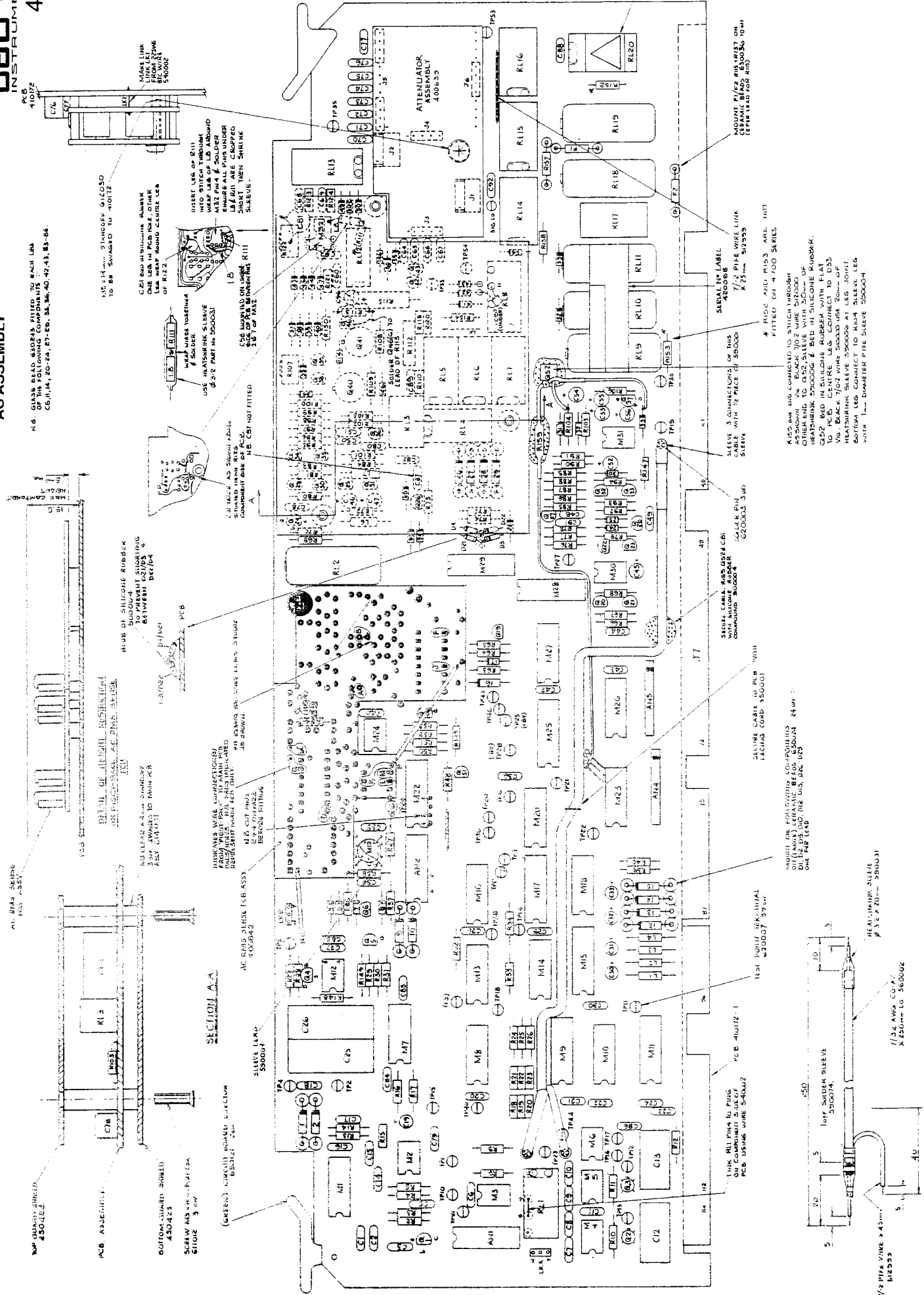


AC ASSEMBLY  
Quasi-Sine Generator and Timing Logic

Circuit Diagram No. 430844-1.0 Sheet 3

AC ASSEMBLY

**datron**  
INSTRUMENTS  
4708



N.B. GLASS BEAD SLEEVES FITTED TO EACH LEG OF THE FOLLOWING COMPONENTS:  
C5, M1, M2, M3, M4, M5, M6, M7, M8, M9, M10, M11, M12, M13, M14, M15, M16, M17, M18, M19, M20, M21, M22, M23, M24, M25, M26, M27.

MARK LINK IN PCB HOLE OTHER SIDE WITH SILVER SOLDER WIRE 540002

USE HANDSHEIK SLEEVE 7/32 DIA. PART NO. 5500031

INSERT LEG OF Q11 INTO SWITCH THROUGH WRAP LEG OF LB AROUND Q11. SOLDER ALL PINS UNDER LB. R11 ARE CRIMPED SHORT THEN SHRINK SLEEVE.

ASSEMBLY AREA

USE SOLDER BRUSH TO REMOVE EXCESS SOLDER FROM BOARD

GLASS BEAD SLEEVES FITTED TO EACH LEG OF THE FOLLOWING COMPONENTS: C5, M1, M2, M3, M4, M5, M6, M7, M8, M9, M10, M11, M12, M13, M14, M15, M16, M17, M18, M19, M20, M21, M22, M23, M24, M25, M26, M27.

ATTENUATOR ASSEMBLY 4800035

LINK R11 PINS TO PINS ON COMPONENT SIDE OF PCB USING WIRE 540002

HEAT SINK PINS TO PINS ON COMPONENT SIDE OF PCB USING WIRE 540002

HEAT SINK SLEEVES 7/32 DIA. WIRE 540002

HEAT SINK SLEEVES 7/32 DIA. WIRE 540002

HEAT SINK SLEEVES 7/32 DIA. WIRE 540002

HEAT SINK SLEEVES 7/32 DIA. WIRE 540002

HEAT SINK SLEEVES 7/32 DIA. WIRE 540002

HEAT SINK SLEEVES 7/32 DIA. WIRE 540002

HEAT SINK SLEEVES 7/32 DIA. WIRE 540002

HEAT SINK SLEEVES 7/32 DIA. WIRE 540002

TOP DRUMS SHIELD 450467

PCB ASSEMBLY

PCB 410172

BOTTOM SHIELD SHIELD 450423

SCREW M5 4.0mm PLATE 4.0mm SLOTTED 3.0mm

SECTION A-A

AC GLASS BEAD PCB ASSY 4800042

SLEEVE LEAD 5500017

INDICATES WIRE CONNECTIONS FROM RIGHT SIDE TO MAIN AND RIGHT SIDE MAIN FOR ONLY

M5 CUT PINS BY 4.0mm BEFORE SOLDERING

ALL GLASS BEAD PCB ASSY

DETAIL OF HEAT SINK AND PINS

DETAIL OF HEAT SINK AND PINS

DETAIL OF HEAT SINK AND PINS

DETAIL OF HEAT SINK AND PINS

DETAIL OF HEAT SINK AND PINS

DETAIL OF HEAT SINK AND PINS

DETAIL OF HEAT SINK AND PINS

DETAIL OF HEAT SINK AND PINS

DETAIL OF HEAT SINK AND PINS

DETAIL OF HEAT SINK AND PINS

DETAIL OF HEAT SINK AND PINS

DETAIL OF HEAT SINK AND PINS

DETAIL OF HEAT SINK AND PINS

DETAIL OF HEAT SINK AND PINS

DETAIL OF HEAT SINK AND PINS

DETAIL OF HEAT SINK AND PINS

DETAIL OF HEAT SINK AND PINS

DETAIL OF HEAT SINK AND PINS

DETAIL OF HEAT SINK AND PINS

TOP DRUMS SHIELD 450467

PCB ASSEMBLY

PCB 410172

BOTTOM SHIELD SHIELD 450423

SCREW M5 4.0mm PLATE 4.0mm SLOTTED 3.0mm

SECTION A-A

AC GLASS BEAD PCB ASSY 4800042

SLEEVE LEAD 5500017

INDICATES WIRE CONNECTIONS FROM RIGHT SIDE TO MAIN AND RIGHT SIDE MAIN FOR ONLY

M5 CUT PINS BY 4.0mm BEFORE SOLDERING

ALL GLASS BEAD PCB ASSY

DETAIL OF HEAT SINK AND PINS

DETAIL OF HEAT SINK AND PINS

DETAIL OF HEAT SINK AND PINS

DETAIL OF HEAT SINK AND PINS

DETAIL OF HEAT SINK AND PINS

DETAIL OF HEAT SINK AND PINS

DETAIL OF HEAT SINK AND PINS

DETAIL OF HEAT SINK AND PINS

DETAIL OF HEAT SINK AND PINS

DETAIL OF HEAT SINK AND PINS

DETAIL OF HEAT SINK AND PINS

DETAIL OF HEAT SINK AND PINS

DETAIL OF HEAT SINK AND PINS

DETAIL OF HEAT SINK AND PINS

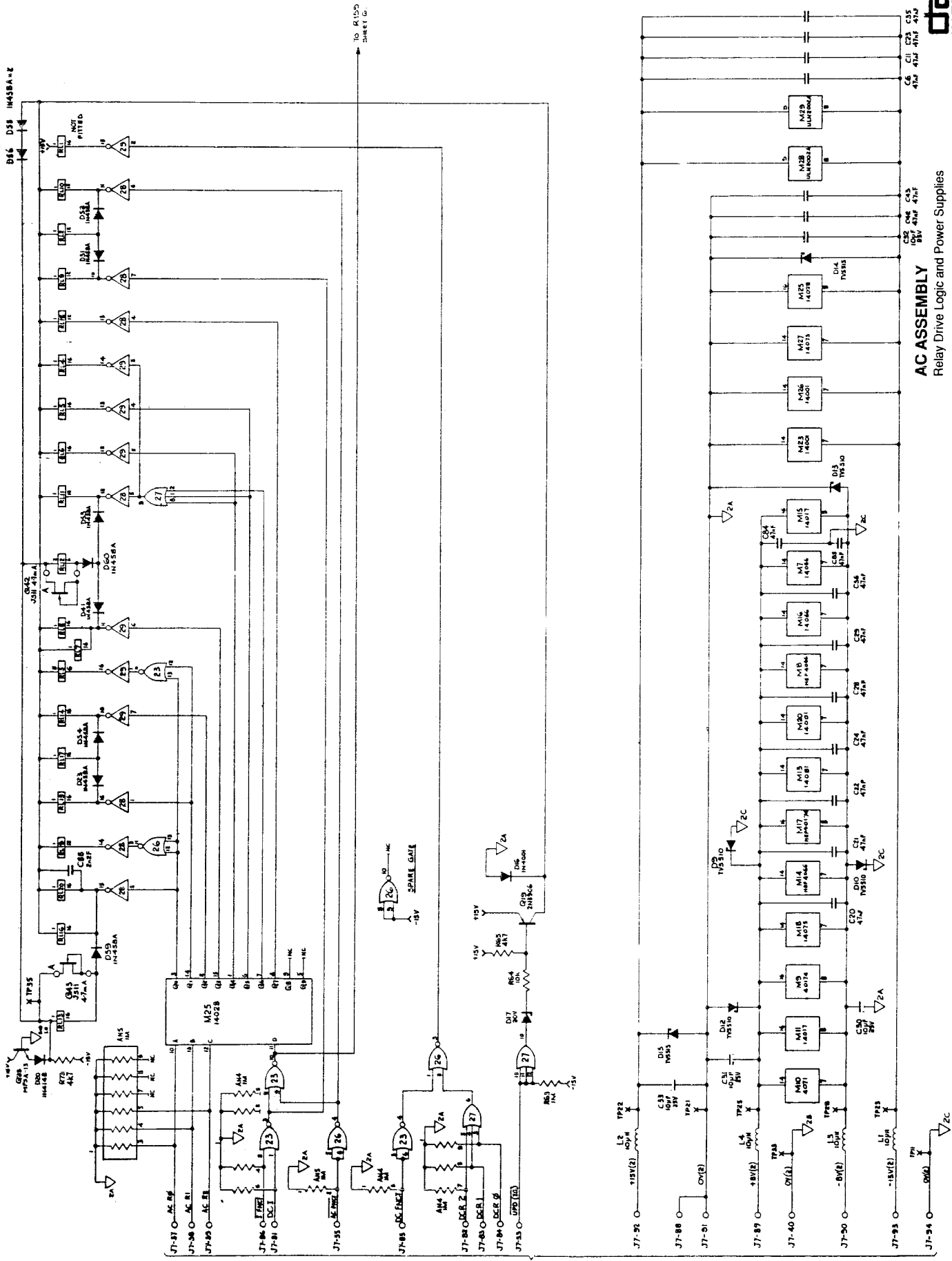
DETAIL OF HEAT SINK AND PINS

DETAIL OF HEAT SINK AND PINS

DETAIL OF HEAT SINK AND PINS

DETAIL OF HEAT SINK AND PINS

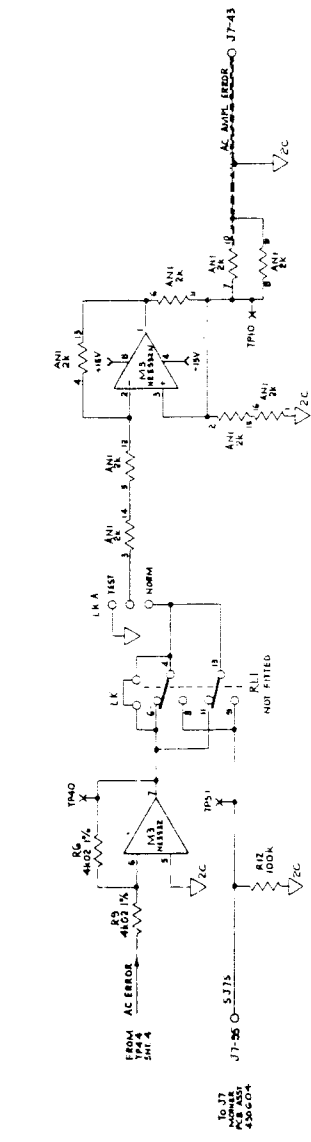
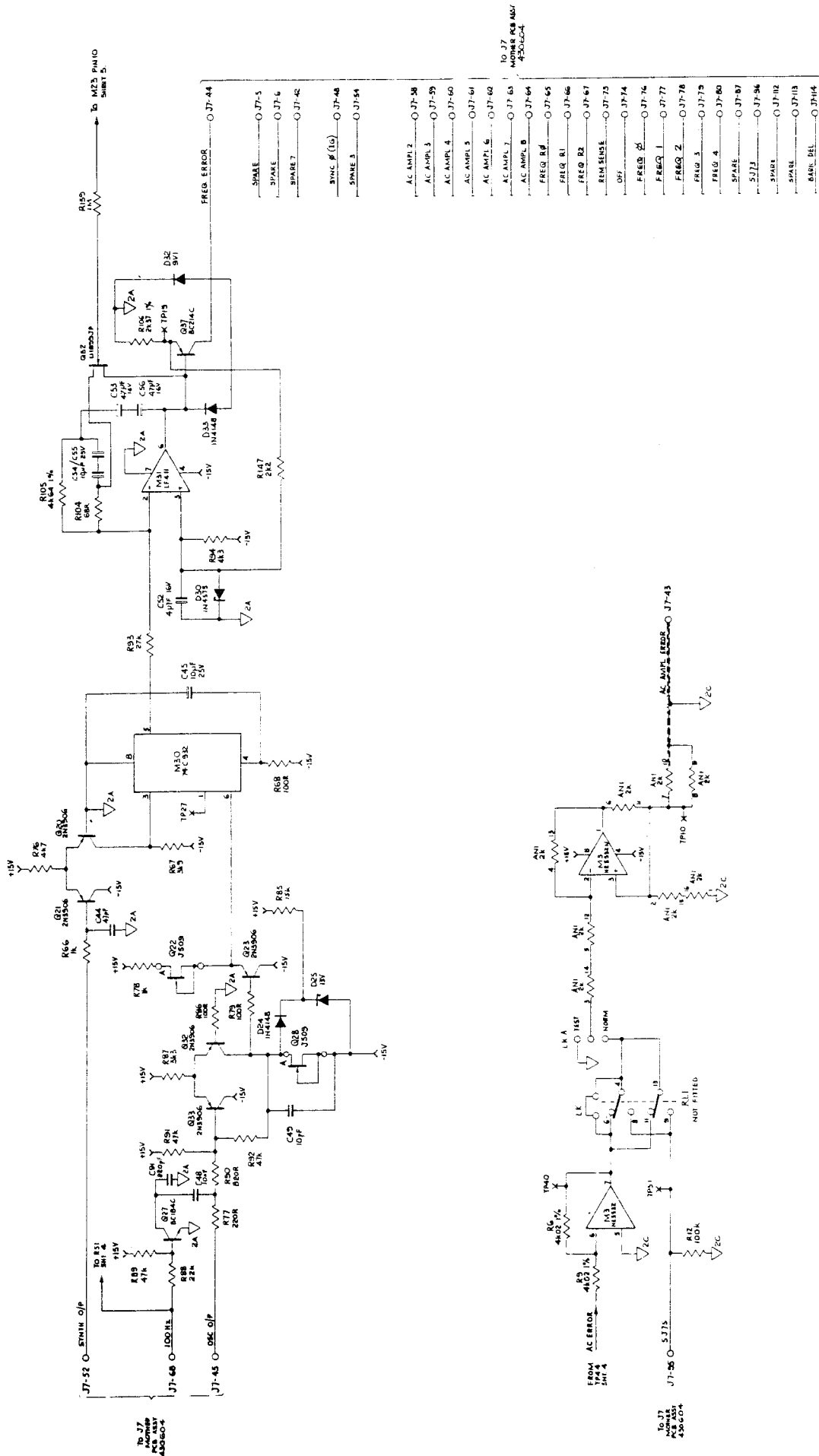
DETAIL OF HEAT SINK AND PINS



**AC ASSEMBLY**  
 Relay Drive Logic and Power Supplies

Circuit Diagram No. 430844-1.0 Sheet 5

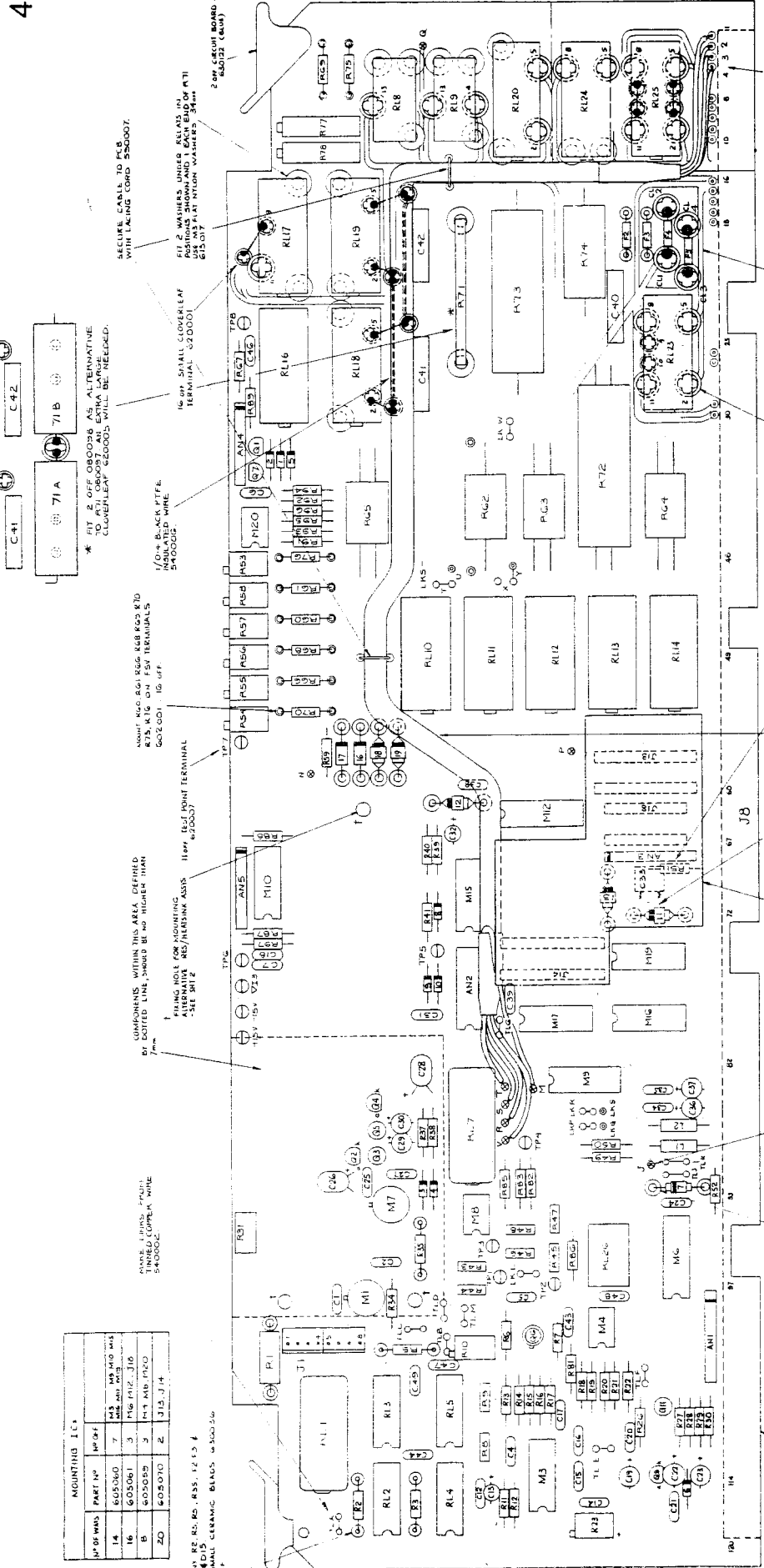




**CURRENT / OHMS ASSEMBLY**

MP DE WAS	PART NO	MP OF	QTY	MP NO	MP
14	605060	7	1	M3	M3 1/2 1/4
16	605061	3	1	M10	M10 3/16 3/16
B	605069	3	1	M3	M3 1/2 1/4
20	605070	2	1	J13	J14

MARKET NO. 15, 16, 17, 18, 19, 20, 21, 22, 23, 24, 25, 26, 27, 28, 29, 30, 31, 32, 33, 34, 35, 36, 37, 38, 39, 40, 41, 42, 43, 44, 45, 46, 47, 48, 49, 50, 51, 52, 53, 54, 55, 56, 57, 58, 59, 60, 61, 62, 63, 64, 65, 66, 67, 68, 69, 70, 71, 72, 73, 74, 75, 76, 77, 78, 79, 80, 81, 82, 83, 84, 85, 86, 87, 88, 89, 90, 91, 92, 93, 94, 95, 96, 97, 98, 99, 100



SECURE CABLE TO PCB WITH LACING LOMD 590007.

USE 2 WASHERS, UNLES KLR 805 810 POSITIONS SHOWN AND 1 EACH END OF R71 815 017

2 PIN SECURE BOARD EJECTOR 80352 (BLU)

NEW 20 PIN LARGE CURRENT TERMINAL BLOCKS 590007

1/04 BLACK PTFE 590006

1/16 BORE, PTFE 590006

NOTE: KLR 805, KLR 805 810, R71, R72 ON FSW TERMINALS 590001 IS OFF

18PIN, RESI POINT TERMINAL 603201

COMPONENTS WITHIN THIS AREA, DEFINED BY DOTTED LINE, SHOULD BE NO HIGHER THAN 7mm

PLACING HOLES FOR MOUNTING ALTERNATIVE RES/RESIN ASSEMBLY - SEE R71

NOTE: ALL CONNECTIONS TO SOLDER PINS TO BE SLEEVED USE 31814 590001(2)

NOTE: R1, R7, R12, R14, R16 ON LABEL CERAMIC BEAD 650074 14 PIN

4 CORE Braid CABLE 590006

1 OF 8'S HEADSHINK 20mm LONG 590068

1 OF 8'S WHITE 7/16 PIFE 212355 SOLDERED TO SCREEN 75mm LONG

NOTE: 4 CORE Braid CABLE 590006

SOLDER SLEEVE 1/8 1/8 590076

410347-1 14

NOTE: 20 PIN LARGE CURRENT TERMINAL BLOCKS

20 PIN LARGE CURRENT TERMINAL BLOCKS 590006

20 PIN LARGE CURRENT TERMINAL BLOCKS 590006

20 PIN LARGE CURRENT TERMINAL BLOCKS 590006

20 PIN LARGE CURRENT TERMINAL BLOCKS 590006

20 PIN LARGE CURRENT TERMINAL BLOCKS 590006

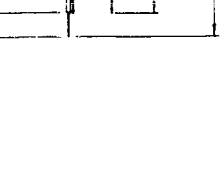
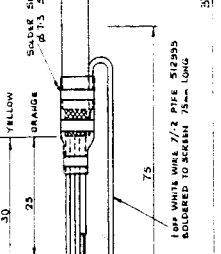
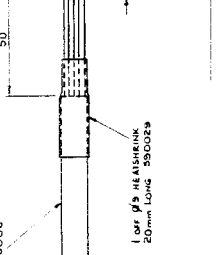
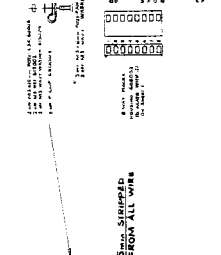
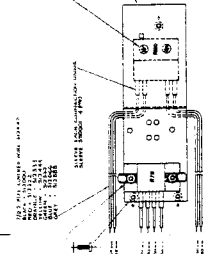
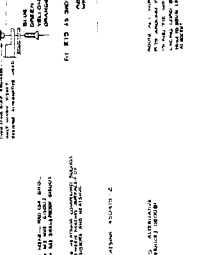
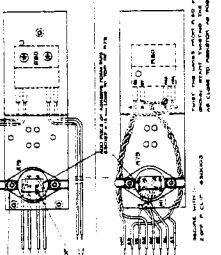
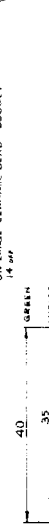
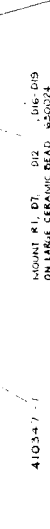
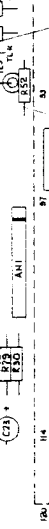
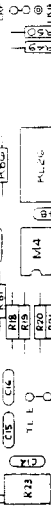
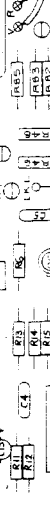
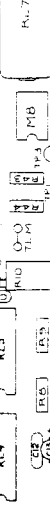
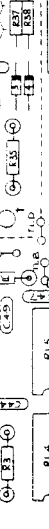
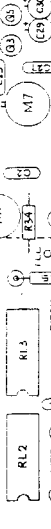
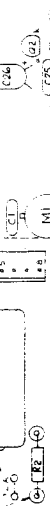
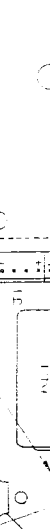
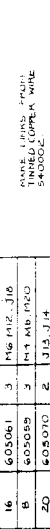
20 PIN LARGE CURRENT TERMINAL BLOCKS 590006

20 PIN LARGE CURRENT TERMINAL BLOCKS 590006

20 PIN LARGE CURRENT TERMINAL BLOCKS 590006

20 PIN LARGE CURRENT TERMINAL BLOCKS 590006

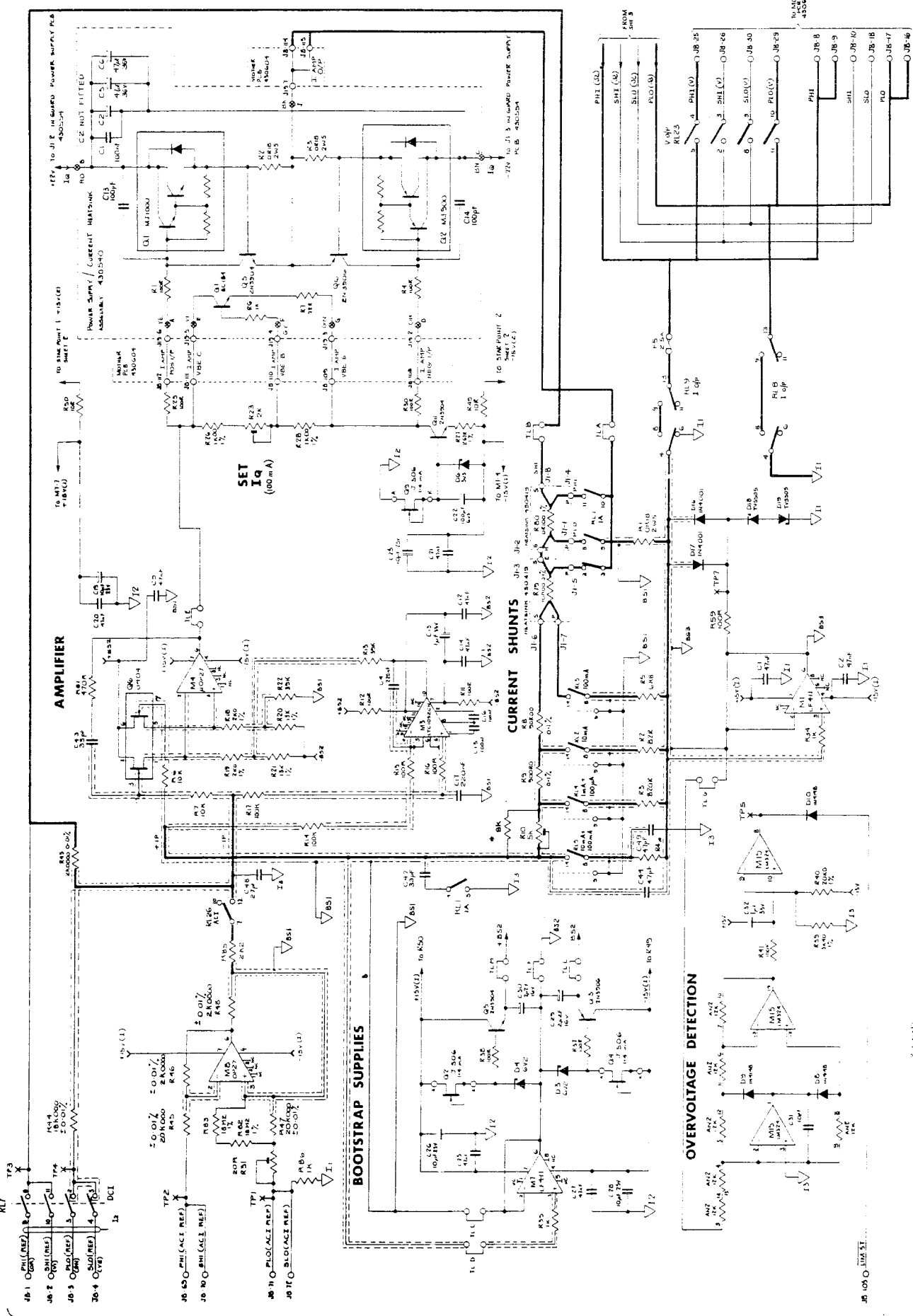
20 PIN LARGE CURRENT TERMINAL BLOCKS 590006





**CURRENT / OHMS ASSEMBLY**  
 Voltage-to-Current Converter

Circuit Diagram No. 430614-1.1 Sheet 1



\* INDICATES DEVICES NOT FITTED ON 4700

**CURRENT / OHMS ASSEMBLY**

MOUNTING IC*			
WIRE WELD	PART NO.	REV.	QTY.
14	605060	7	MIS. MOUNT. TO MIS.
16	605061	3	PHS. M12...J10
8	605062	3	M16 M18 M19
20	605063	2	J15...J14

MOUNT R2 R4 R5, R23, R24 & R25 ON SMALL CERAMIC BRAD 650074

DOUBLE LEADS FROM 5-WIRE COAXIAL WIRE

COMPONENTS WITHIN THIS AREA DEFINED BY DOTTED LINE SHOULD BE IN HIGHER MASS

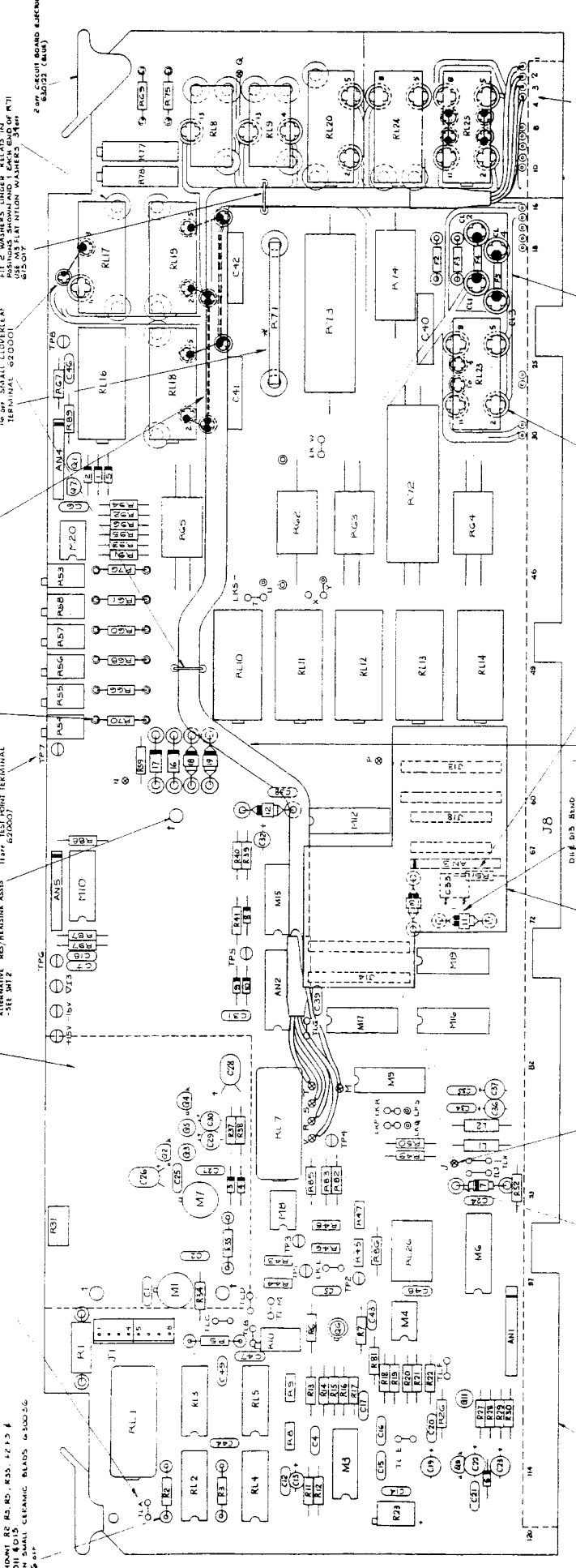
MOUNT R10, R11, R12, R13, R14, R15, R16, R17, R18, R19, R20, R21, R22, R24, R25, R26, R27, R28, R29, R30, R31, R32, R33, R34, R35, R36, R37, R38, R39, R40, R41, R42, R43, R44, R45, R46, R47, R48, R49, R50, R51, R52, R53, R54, R55, R56, R57, R58, R59, R60, R61, R62, R63, R64, R65, R66, R67, R68, R69, R70, R71, R72, R73, R74, R75, R76, R77, R78, R79, R80, R81, R82, R83, R84, R85, R86, R87, R88, R89, R90, R91, R92, R93, R94, R95, R96, R97, R98, R99, R100, R101, R102, R103, R104, R105, R106, R107, R108, R109, R110, R111, R112, R113, R114, R115, R116, R117, R118, R119, R120, R121, R122, R123, R124, R125, R126, R127, R128, R129, R130, R131, R132, R133, R134, R135, R136, R137, R138, R139, R140, R141, R142, R143, R144, R145, R146, R147, R148, R149, R150, R151, R152, R153, R154, R155, R156, R157, R158, R159, R160, R161, R162, R163, R164, R165, R166, R167, R168, R169, R170, R171, R172, R173, R174, R175, R176, R177, R178, R179, R180, R181, R182, R183, R184, R185, R186, R187, R188, R189, R190, R191, R192, R193, R194, R195, R196, R197, R198, R199, R200, R201, R202, R203, R204, R205, R206, R207, R208, R209, R210, R211, R212, R213, R214, R215, R216, R217, R218, R219, R220, R221, R222, R223, R224, R225, R226, R227, R228, R229, R230, R231, R232, R233, R234, R235, R236, R237, R238, R239, R240, R241, R242, R243, R244, R245, R246, R247, R248, R249, R250, R251, R252, R253, R254, R255, R256, R257, R258, R259, R260, R261, R262, R263, R264, R265, R266, R267, R268, R269, R270, R271, R272, R273, R274, R275, R276, R277, R278, R279, R280, R281, R282, R283, R284, R285, R286, R287, R288, R289, R290, R291, R292, R293, R294, R295, R296, R297, R298, R299, R300, R301, R302, R303, R304, R305, R306, R307, R308, R309, R310, R311, R312, R313, R314, R315, R316, R317, R318, R319, R320, R321, R322, R323, R324, R325, R326, R327, R328, R329, R330, R331, R332, R333, R334, R335, R336, R337, R338, R339, R340, R341, R342, R343, R344, R345, R346, R347, R348, R349, R350, R351, R352, R353, R354, R355, R356, R357, R358, R359, R360, R361, R362, R363, R364, R365, R366, R367, R368, R369, R370, R371, R372, R373, R374, R375, R376, R377, R378, R379, R380, R381, R382, R383, R384, R385, R386, R387, R388, R389, R390, R391, R392, R393, R394, R395, R396, R397, R398, R399, R400, R401, R402, R403, R404, R405, R406, R407, R408, R409, R410, R411, R412, R413, R414, R415, R416, R417, R418, R419, R420, R421, R422, R423, R424, R425, R426, R427, R428, R429, R430, R431, R432, R433, R434, R435, R436, R437, R438, R439, R440, R441, R442, R443, R444, R445, R446, R447, R448, R449, R450, R451, R452, R453, R454, R455, R456, R457, R458, R459, R460, R461, R462, R463, R464, R465, R466, R467, R468, R469, R470, R471, R472, R473, R474, R475, R476, R477, R478, R479, R480, R481, R482, R483, R484, R485, R486, R487, R488, R489, R490, R491, R492, R493, R494, R495, R496, R497, R498, R499, R500, R501, R502, R503, R504, R505, R506, R507, R508, R509, R510, R511, R512, R513, R514, R515, R516, R517, R518, R519, R520, R521, R522, R523, R524, R525, R526, R527, R528, R529, R530, R531, R532, R533, R534, R535, R536, R537, R538, R539, R540, R541, R542, R543, R544, R545, R546, R547, R548, R549, R550, R551, R552, R553, R554, R555, R556, R557, R558, R559, R560, R561, R562, R563, R564, R565, R566, R567, R568, R569, R570, R571, R572, R573, R574, R575, R576, R577, R578, R579, R580, R581, R582, R583, R584, R585, R586, R587, R588, R589, R590, R591, R592, R593, R594, R595, R596, R597, R598, R599, R600, R601, R602, R603, R604, R605, R606, R607, R608, R609, R610, R611, R612, R613, R614, R615, R616, R617, R618, R619, R620, R621, R622, R623, R624, R625, R626, R627, R628, R629, R630, R631, R632, R633, R634, R635, R636, R637, R638, R639, R640, R641, R642, R643, R644, R645, R646, R647, R648, R649, R650, R651, R652, R653, R654, R655, R656, R657, R658, R659, R660, R661, R662, R663, R664, R665, R666, R667, R668, R669, R670, R671, R672, R673, R674, R675, R676, R677, R678, R679, R680, R681, R682, R683, R684, R685, R686, R687, R688, R689, R690, R691, R692, R693, R694, R695, R696, R697, R698, R699, R700, R701, R702, R703, R704, R705, R706, R707, R708, R709, R710, R711, R712, R713, R714, R715, R716, R717, R718, R719, R720, R721, R722, R723, R724, R725, R726, R727, R728, R729, R730, R731, R732, R733, R734, R735, R736, R737, R738, R739, R740, R741, R742, R743, R744, R745, R746, R747, R748, R749, R750, R751, R752, R753, R754, R755, R756, R757, R758, R759, R760, R761, R762, R763, R764, R765, R766, R767, R768, R769, R770, R771, R772, R773, R774, R775, R776, R777, R778, R779, R780, R781, R782, R783, R784, R785, R786, R787, R788, R789, R790, R791, R792, R793, R794, R795, R796, R797, R798, R799, R800, R801, R802, R803, R804, R805, R806, R807, R808, R809, R810, R811, R812, R813, R814, R815, R816, R817, R818, R819, R820, R821, R822, R823, R824, R825, R826, R827, R828, R829, R830, R831, R832, R833, R834, R835, R836, R837, R838, R839, R840, R841, R842, R843, R844, R845, R846, R847, R848, R849, R850, R851, R852, R853, R854, R855, R856, R857, R858, R859, R860, R861, R862, R863, R864, R865, R866, R867, R868, R869, R870, R871, R872, R873, R874, R875, R876, R877, R878, R879, R880, R881, R882, R883, R884, R885, R886, R887, R888, R889, R890, R891, R892, R893, R894, R895, R896, R897, R898, R899, R900, R901, R902, R903, R904, R905, R906, R907, R908, R909, R910, R911, R912, R913, R914, R915, R916, R917, R918, R919, R920, R921, R922, R923, R924, R925, R926, R927, R928, R929, R930, R931, R932, R933, R934, R935, R936, R937, R938, R939, R940, R941, R942, R943, R944, R945, R946, R947, R948, R949, R950, R951, R952, R953, R954, R955, R956, R957, R958, R959, R960, R961, R962, R963, R964, R965, R966, R967, R968, R969, R970, R971, R972, R973, R974, R975, R976, R977, R978, R979, R980, R981, R982, R983, R984, R985, R986, R987, R988, R989, R990, R991, R992, R993, R994, R995, R996, R997, R998, R999, R1000

1/4" DIA. BOLT FOR MOUNTING ASSEMBLY TO PCB

16.00mm DIA. SMALL CERAMIC BRAD 650074

SECURE CABLE TO PCB WITH LACING COND 550007

2" DIA. CIRCULAR BOARD JACKER 650132 (48U)



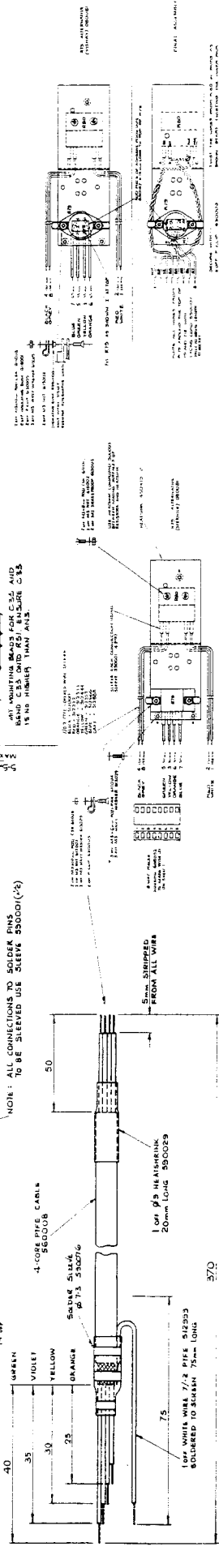
NOTE: ALL CONNECTIONS TO SOLDER PINS TO BE SLEEVED USE SLEEVE 550001 (2)

1/8" CLAMP ASSY 400665

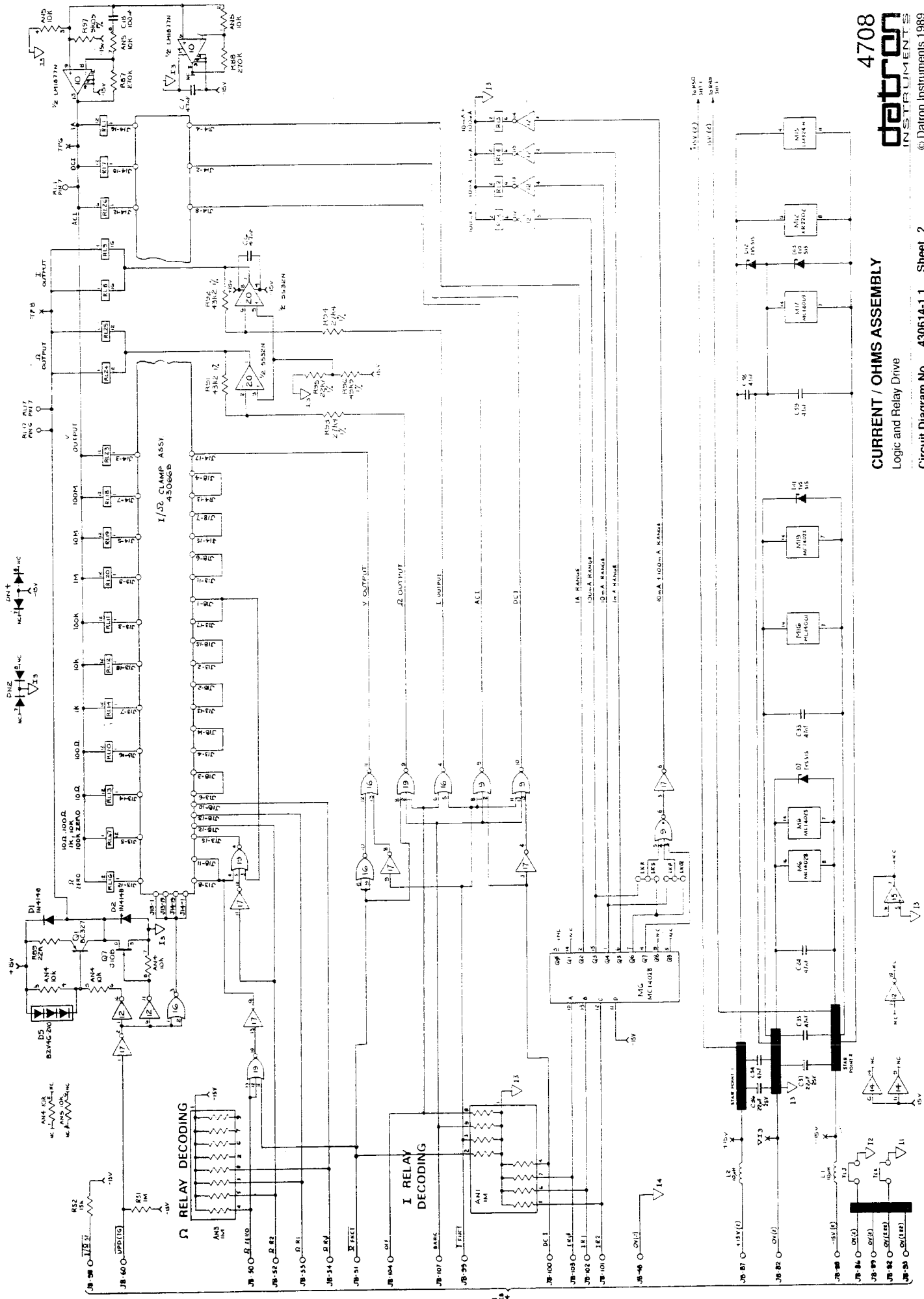
1/4" DIA. BUSH AS SHOWN

20" DIA. LARGER CUMERLEAF TERMINAL 620005

EASE WIRES INTO PINS BETWEEN PIN 2 VIOLET TO PIN 1, PIN 3 GREEN TO PIN 4, PIN 4 YELLOW TO PIN 5



370



**CURRENT / OHMS ASSEMBLY**  
 Logic and Relay Drive  
 Circuit Diagram No. 430614-1.1 Sheet 2

**CURRENT / OHMS ASSEMBLY**

MOUNTING ICs		
MP OR MMS	PART NO	MP OR MMS
14	605060	7
16	605061	3
B	605059	3
20	605070	2

ADAPT RE AS NO. M35, F21.3 F  
ON SMALL CERAMIC BLADES 6300356  
16 BIT

MAKE 1 PINS POINT  
WASHERS UNDER RELAYS IN  
ORDER TO PREVENT SHORTS  
WITH LAKING COND 550007

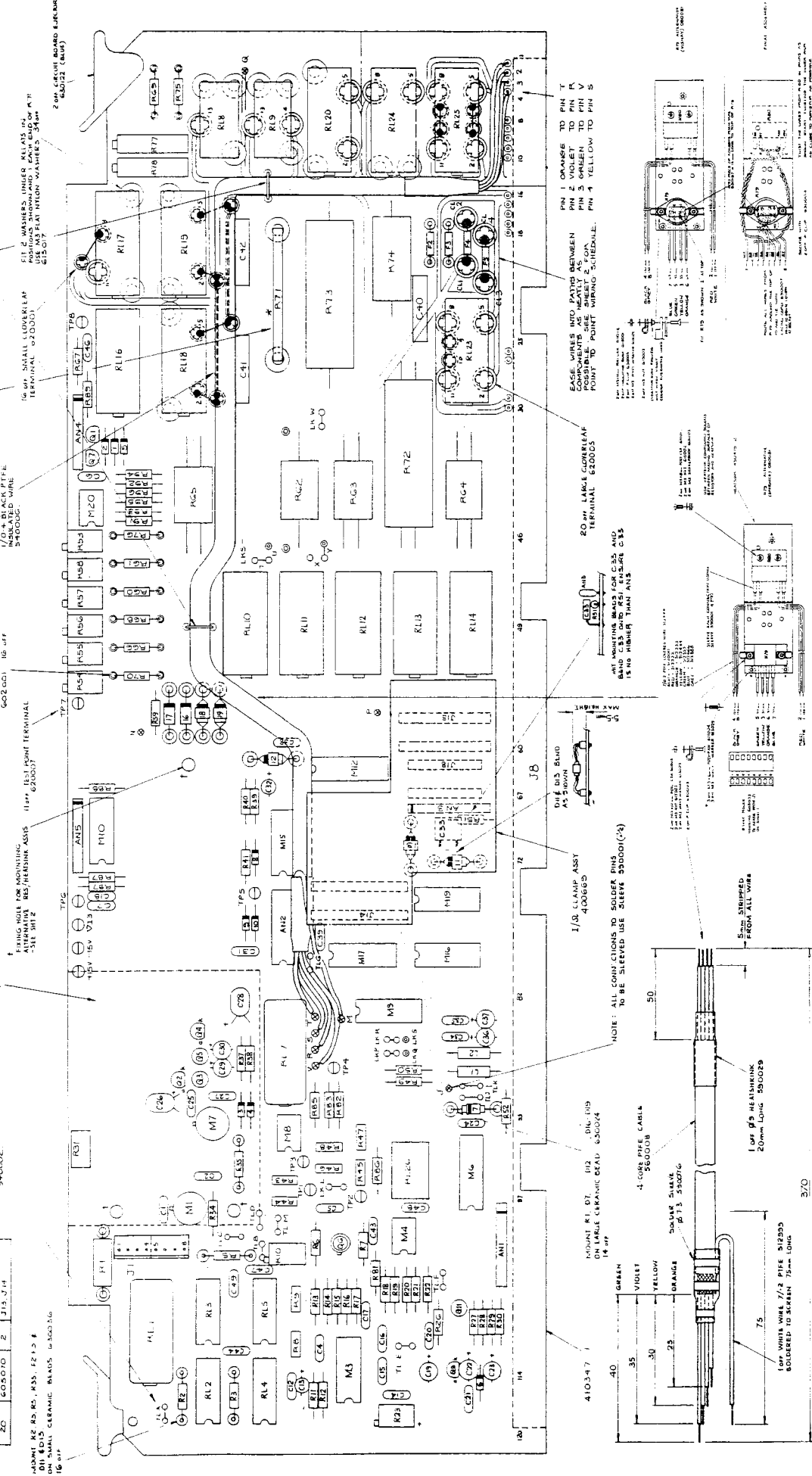
COMPONENTS WITHIN THIS AREA OFFERED  
BY DOTTED LINE SHOULD BE NO HIGHER THAN  
7mm

Mount 400 R01 400R R08 R05 R10  
K75 R16 ON P5V TERMINALS  
6020001 18 BIT

\* FIT 2 04F 60008 AS ALTERNATIVE  
TO P71 600097 AN EXTRA LARGE  
CLOVERLEAF 620005 WILL BE NEEDED.

16 OF SMALL CLOVERLEAF  
TERMINAL 620001

FIT 2 WASHERS UNDER RELAYS IN  
ORDER TO PREVENT SHORTS  
WITH LAKING COND 550007



NOTE: ALL CONNECTIONS TO SOLEFLAT PINS  
TO BE SLEEVED USING SHEATH 550001(13)

1/8 CLASSY ASSY  
400005

410347

SOLEFLAT PINS  
400001

1.04 0.5 HEADSINK  
20mm Long 550029  
SOLDERED TO SCREEN 75mm LONG

4-CORE PTFE CABLE  
550008

SERIAL STRIPS  
P113 550076

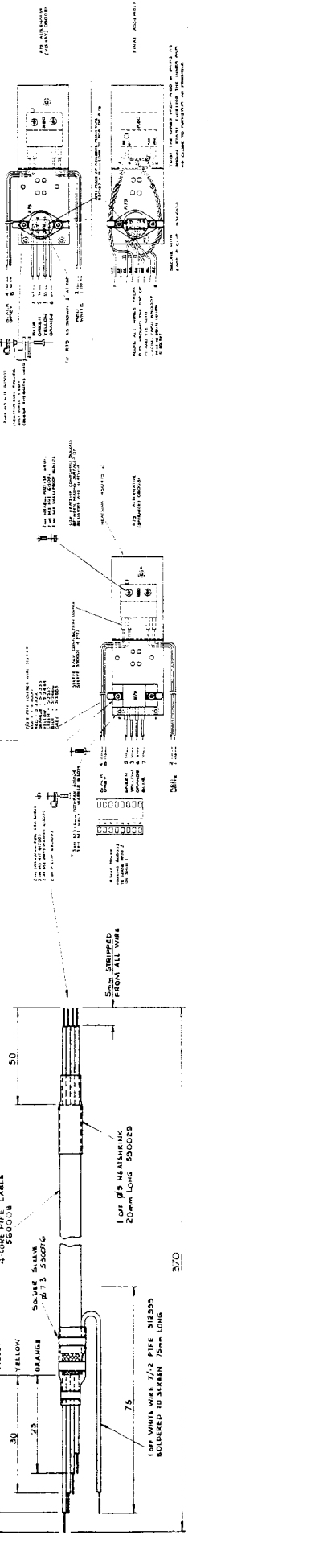
5mm STRIPPED  
FROM ALL WIRES

DIFF 0.5 BLVD  
AS SHOWN

20 AWG LAK-E CLOVERLEAF  
TERMINAL 620003

EASE WIRES INTO PADS BETWEEN  
COMPONENTS AS HEAVILY AS POSSIBLE  
POINT TO POINT WIRING SCHEDULE:

PIN 1 ORANGE TO PIN 7  
PIN 2 VIOLET TO PIN 6  
PIN 3 GREEN TO PIN 5  
PIN 4 YELLOW TO PIN 5



40 35 30 25 20 15 10 5 4 3 2 1

GREEN  
VIOLET  
YELLOW  
ORANGE

4-CORE PTFE CABLE  
550008

SERIAL STRIPS  
P113 550076

5mm STRIPPED  
FROM ALL WIRES

DIFF 0.5 BLVD  
AS SHOWN

20 AWG LAK-E CLOVERLEAF  
TERMINAL 620003

EASE WIRES INTO PADS BETWEEN  
COMPONENTS AS HEAVILY AS POSSIBLE  
POINT TO POINT WIRING SCHEDULE:

PIN 1 ORANGE TO PIN 7  
PIN 2 VIOLET TO PIN 6  
PIN 3 GREEN TO PIN 5  
PIN 4 YELLOW TO PIN 5

NOTE: ALL CONNECTIONS TO SOLEFLAT PINS  
TO BE SLEEVED USING SHEATH 550001(13)

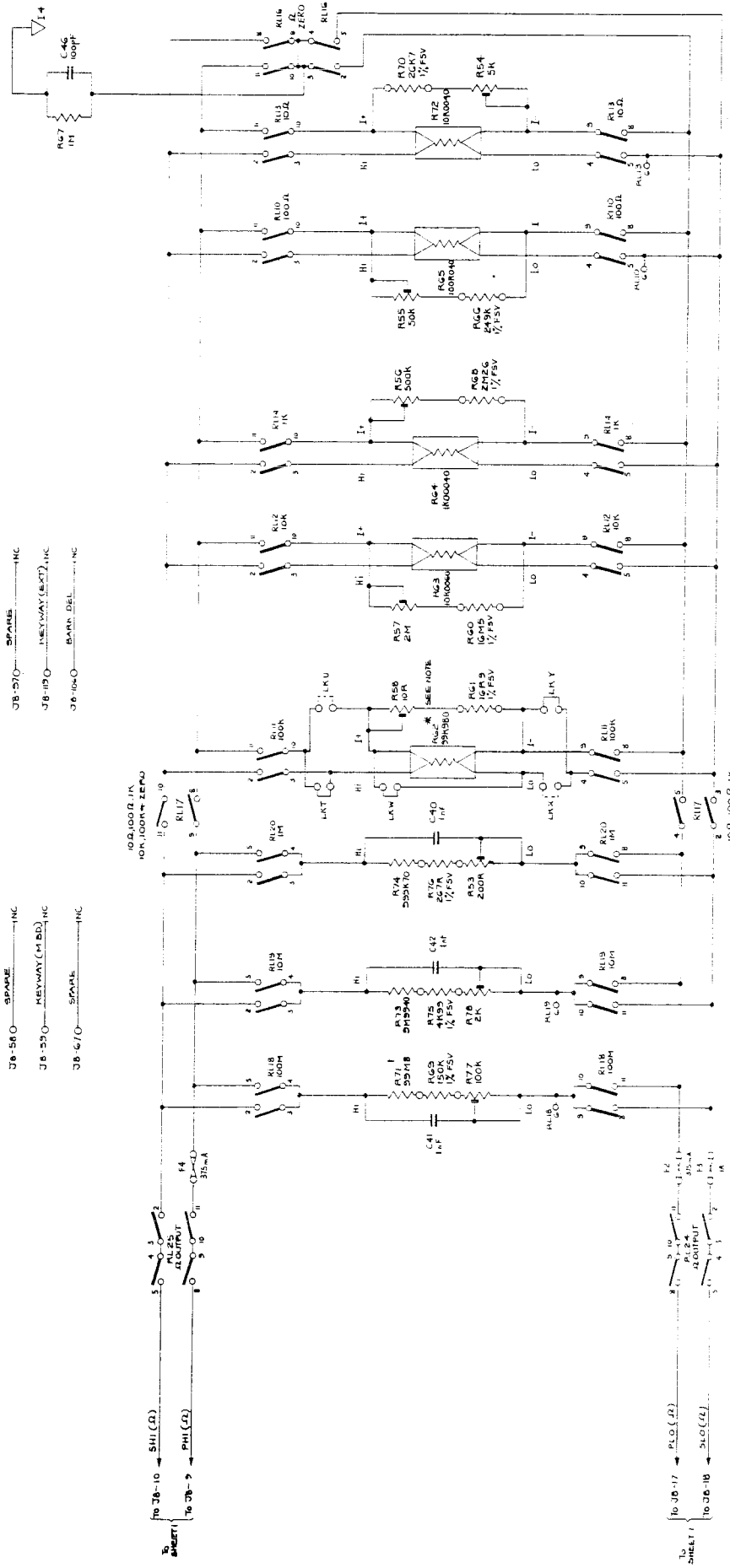
1/8 CLASSY ASSY  
400005

410347

SOLEFLAT PINS  
400001

1.04 0.5 HEADSINK  
20mm Long 550029  
SOLDERED TO SCREEN 75mm LONG

- J8-46 O SPARE INC
- J8-47 O SPARE INC
- J8-48 O SPARE INC
- J8-55 O REM SENSE INC
- J8-56 O POSITIVE INC
- J8-57 O SPARE INC
- J8-58 O SPARE INC
- J8-59 O KEYWAY (H.B.D) INC
- J8-67 O SPARE INC
- J8-68 O SPARE INC
- J8-63 O SPARE INC
- J8-64 O SPARE INC
- J8-65 O SPARE INC
- J8-90 O SPARE INC
- J8-91 O SPARE INC
- J8-97 O SPARE INC
- J8-100 O KEYWAY (EXT) INC
- J8-104 O BARR DEL INC

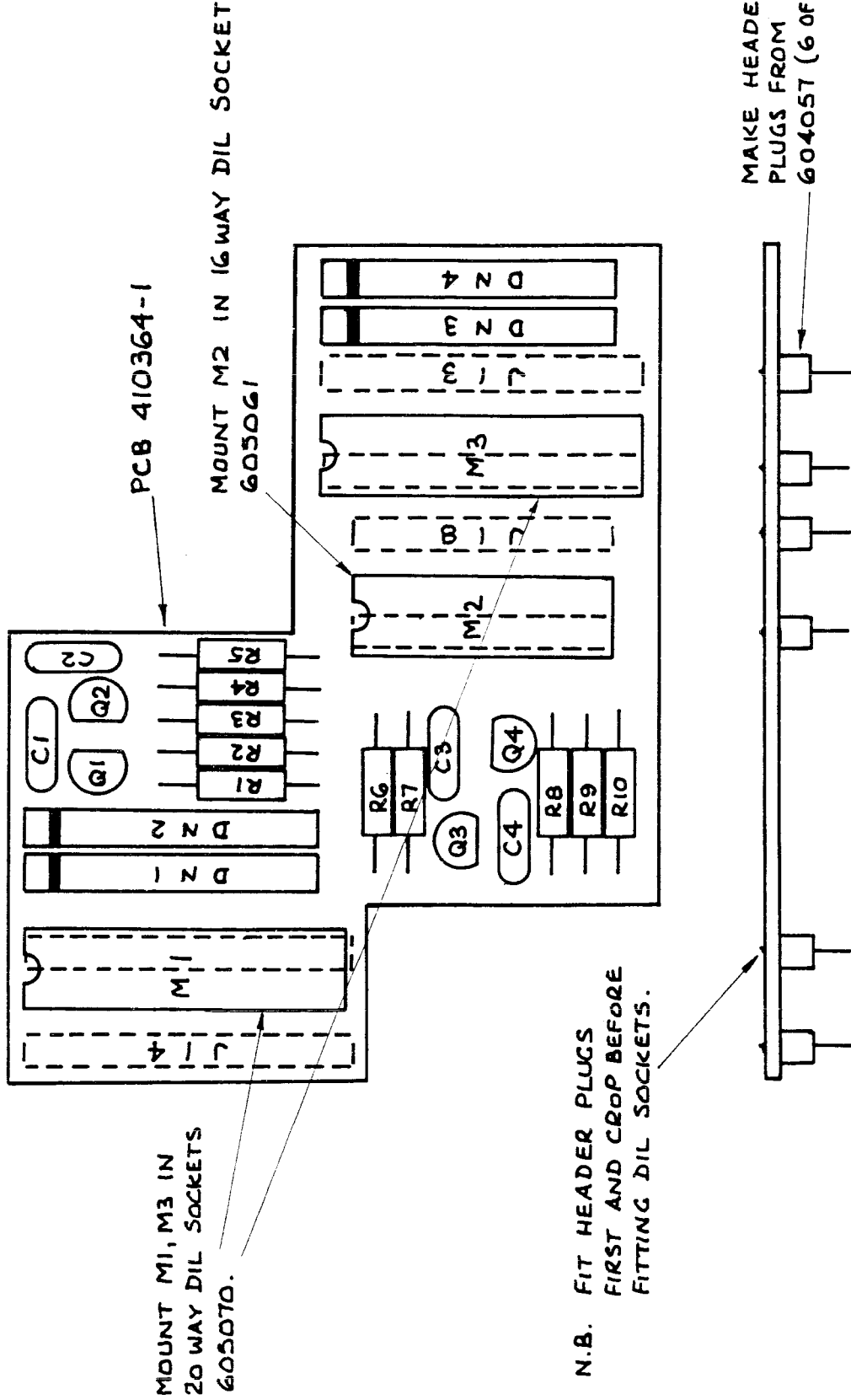


\* NOTE R42 IS A 2-WIRE RESISTOR ON THE 4700.  
 † ALTERNATIVE RESISTOR SET COMPRISES TWO 450'S IN SERIES.

**CURRENT / OHMS ASSEMBLY**  
 Standard Resistors and Switching

I/O CLAMP ASSEMBLY

NOTE. DN1 + DN3 ARE CODED RED  
DN2 + DN4 ARE CODED BLUE



MOUNT M1, M3 IN  
20 WAY DIL SOCKETS  
605070.

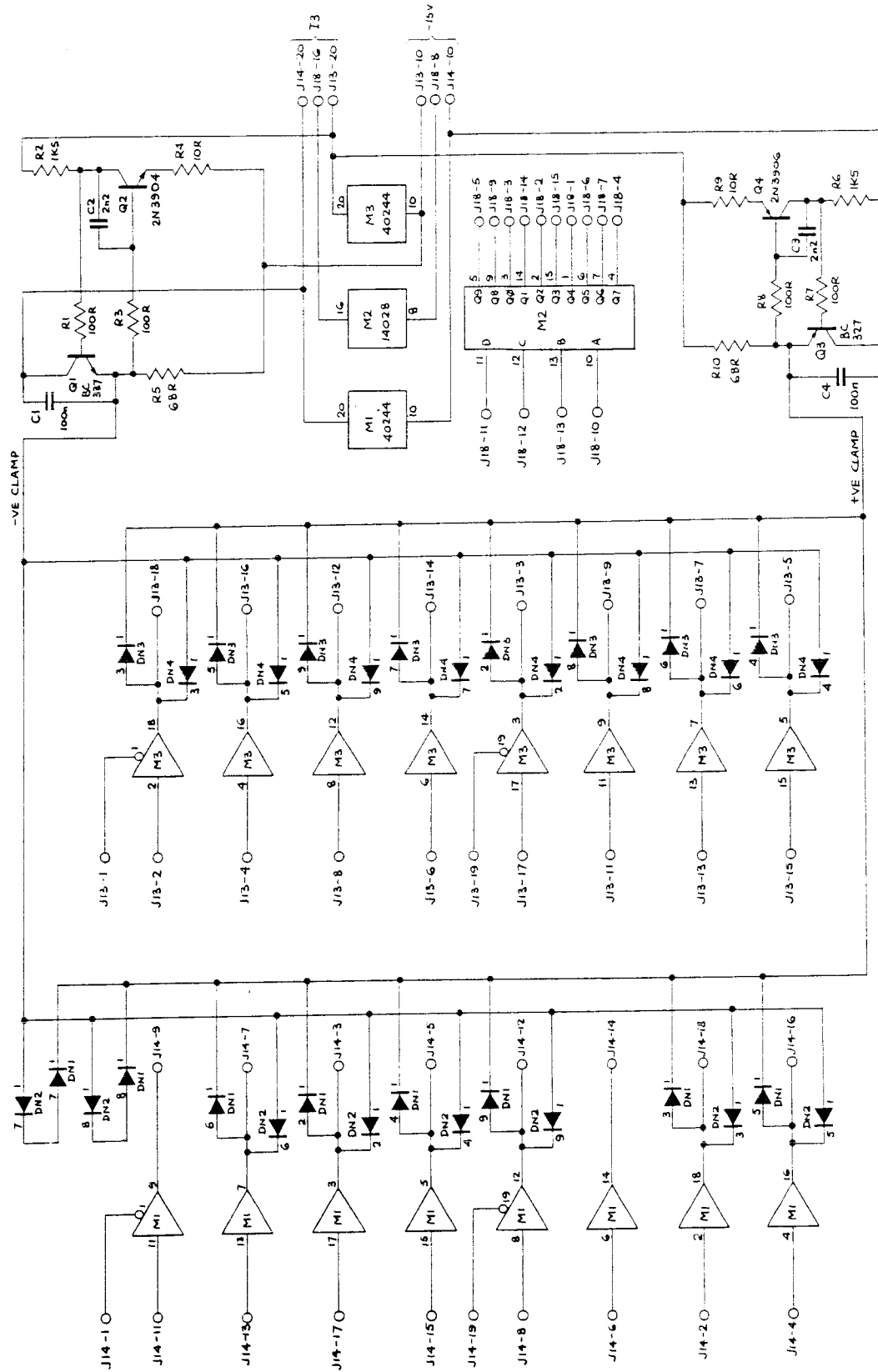
PCB 410364-1

MOUNT M2 IN 16WAY DIL SOCKET  
605061

N.B. FIT HEADER PLUGS  
FIRST AND CROP BEFORE  
FITTING DIL SOCKETS.

MAKE HEADER  
PLUGS FROM  
604057 (6 OFF)

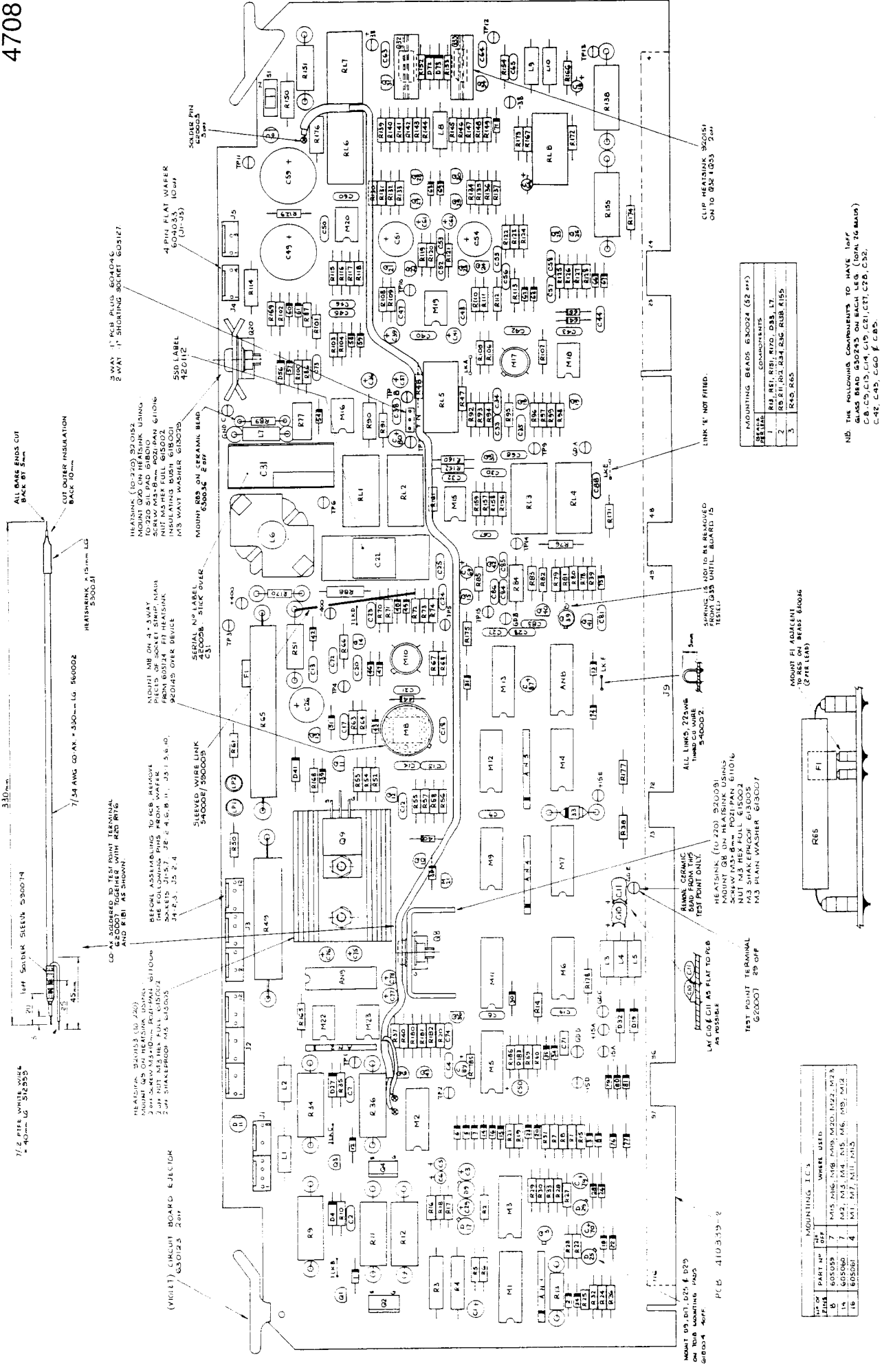
DN1 AND DN3 ARE CC-IN414B  
 DN2 AND DN4 ARE CA-IN414B



I/O CLAMP ASSEMBLY

Circuit Diagram No. 430669-1.0 Sheet 1

## POWER AMPLIFIER ASSEMBLY



ALL GAGE ENDS CUT BACK BY 5mm

CUT OVER INSULATION BACK 10mm

HEATSHINK \* 15mm LG 630021

7/34 AWS CO-AX \* 330mm LG 660002

330mm

1.7/2 PINK WHITE WIRE \* 40mm LG 612053

CO ASSEMBLED TO TEST POINT TERMINAL 630007 TOGETHER WITH 420 R176 AND R181 AS SHOWN

REORDER 320123 LG 28020. 20mm SAWN MICRO-BREADBOARD GULLWING 2.0M HGT. METAL FULL COVERAGE 2.0M SHAKERPROOF M5 615003 34-733 35 2-4

(VIOLET) CIRCUIT BOARD EJECTOR 630123 20H

HEATSHINK (10-275) 50-0425 MOUNT (220 S.I. PAD 618010) SERRATED-SHANK. POSI-PAN 611016 INSULATING BUSH 618001 M3 WAVE WASHER 610003

MOUNTING BEAD 630024 (52 PPS)

UP HEATSHINK 560021 ON TO 02X 1003 20H

LINK 'E' NOT FITTED.

HEATSHINK (10-275) 50-0425 MOUNT (220 S.I. PAD 618010) SERRATED-SHANK. POSI-PAN 611016 INSULATING BUSH 618001 M3 WAVE WASHER 610003

HEATSHINK (10-220) 50-00931 HEATSHINK (10-220) 50-00931 NUT M3 HEX FULL 615003 M3 SHAKERPROOF 615003 M3 PINK WASHER 610007

ALL LINKS 2723mm THICK CO WIRE 630002.

ALL GAGE CUT AS FLAT TO PCB AS POSSIBLE

TEST POINT TERMINAL 630007 2P EP

TEST POINT TERMINAL 630007 2P EP

TEST POINT TERMINAL 630007 2P EP

TEST POINT TERMINAL 630007 2P EP

TEST POINT TERMINAL 630007 2P EP

TEST POINT TERMINAL 630007 2P EP

TEST POINT	TEST POINT TERMINAL	COMMENTS
1	R17, R18, R19, D3, L7	
2	R2, R3, R4, R5, R6, R15	
3	R15, R65	

PCB 410-339-2

MOUNT Q1, D1, D2, F 579 ON THIS MOUNTING PADS 63004 40P.

TEST POINT	TEST POINT TERMINAL	COMMENTS
1	R17, R18, R19, D3, L7	
2	R2, R3, R4, R5, R6, R15	
3	R15, R65	

PCB 410-339-2

MOUNT Q1, D1, D2, F 579 ON THIS MOUNTING PADS 63004 40P.

TEST POINT TERMINAL 630007 2P EP

TEST POINT TERMINAL 630007 2P EP

TEST POINT TERMINAL 630007 2P EP

TEST POINT TERMINAL 630007 2P EP

TEST POINT TERMINAL 630007 2P EP

TEST POINT TERMINAL 630007 2P EP

TEST POINT	TEST POINT TERMINAL	COMMENTS
1	R17, R18, R19, D3, L7	
2	R2, R3, R4, R5, R6, R15	
3	R15, R65	

PCB 410-339-2

MOUNT Q1, D1, D2, F 579 ON THIS MOUNTING PADS 63004 40P.

TEST POINT	TEST POINT TERMINAL	COMMENTS
1	R17, R18, R19, D3, L7	
2	R2, R3, R4, R5, R6, R15	
3	R15, R65	

PCB 410-339-2

MOUNT Q1, D1, D2, F 579 ON THIS MOUNTING PADS 63004 40P.

TEST POINT TERMINAL 630007 2P EP

TEST POINT TERMINAL 630007 2P EP

TEST POINT TERMINAL 630007 2P EP

TEST POINT TERMINAL 630007 2P EP

TEST POINT TERMINAL 630007 2P EP

TEST POINT TERMINAL 630007 2P EP

TEST POINT	TEST POINT TERMINAL	COMMENTS
1	R17, R18, R19, D3, L7	
2	R2, R3, R4, R5, R6, R15	
3	R15, R65	

PCB 410-339-2

MOUNT Q1, D1, D2, F 579 ON THIS MOUNTING PADS 63004 40P.

TEST POINT	TEST POINT TERMINAL	COMMENTS
1	R17, R18, R19, D3, L7	
2	R2, R3, R4, R5, R6, R15	
3	R15, R65	

PCB 410-339-2

MOUNT Q1, D1, D2, F 579 ON THIS MOUNTING PADS 63004 40P.

TEST POINT TERMINAL 630007 2P EP

TEST POINT TERMINAL 630007 2P EP

TEST POINT TERMINAL 630007 2P EP

TEST POINT TERMINAL 630007 2P EP

TEST POINT TERMINAL 630007 2P EP

TEST POINT TERMINAL 630007 2P EP

TEST POINT	TEST POINT TERMINAL	COMMENTS
1	R17, R18, R19, D3, L7	
2	R2, R3, R4, R5, R6, R15	
3	R15, R65	

PCB 410-339-2

MOUNT Q1, D1, D2, F 579 ON THIS MOUNTING PADS 63004 40P.

TEST POINT	TEST POINT TERMINAL	COMMENTS
1	R17, R18, R19, D3, L7	
2	R2, R3, R4, R5, R6, R15	
3	R15, R65	

PCB 410-339-2

MOUNT Q1, D1, D2, F 579 ON THIS MOUNTING PADS 63004 40P.

TEST POINT TERMINAL 630007 2P EP

TEST POINT TERMINAL 630007 2P EP

TEST POINT TERMINAL 630007 2P EP

TEST POINT TERMINAL 630007 2P EP

TEST POINT TERMINAL 630007 2P EP

TEST POINT TERMINAL 630007 2P EP

TEST POINT	TEST POINT TERMINAL	COMMENTS
1	R17, R18, R19, D3, L7	
2	R2, R3, R4, R5, R6, R15	
3	R15, R65	

PCB 410-339-2

MOUNT Q1, D1, D2, F 579 ON THIS MOUNTING PADS 63004 40P.

TEST POINT	TEST POINT TERMINAL	COMMENTS
1	R17, R18, R19, D3, L7	
2	R2, R3, R4, R5, R6, R15	
3	R15, R65	

PCB 410-339-2

MOUNT Q1, D1, D2, F 579 ON THIS MOUNTING PADS 63004 40P.

TEST POINT TERMINAL 630007 2P EP

TEST POINT TERMINAL 630007 2P EP

TEST POINT TERMINAL 630007 2P EP

TEST POINT TERMINAL 630007 2P EP

TEST POINT TERMINAL 630007 2P EP

TEST POINT TERMINAL 630007 2P EP

TEST POINT	TEST POINT TERMINAL	COMMENTS
1	R17, R18, R19, D3, L7	
2	R2, R3, R4, R5, R6, R15	
3	R15, R65	

PCB 410-339-2

MOUNT Q1, D1, D2, F 579 ON THIS MOUNTING PADS 63004 40P.

TEST POINT	TEST POINT TERMINAL	COMMENTS
1	R17, R18, R19, D3, L7	
2	R2, R3, R4, R5, R6, R15	
3	R15, R65	

PCB 410-339-2

MOUNT Q1, D1, D2, F 579 ON THIS MOUNTING PADS 63004 40P.

TEST POINT TERMINAL 630007 2P EP

TEST POINT TERMINAL 630007 2P EP

TEST POINT TERMINAL 630007 2P EP

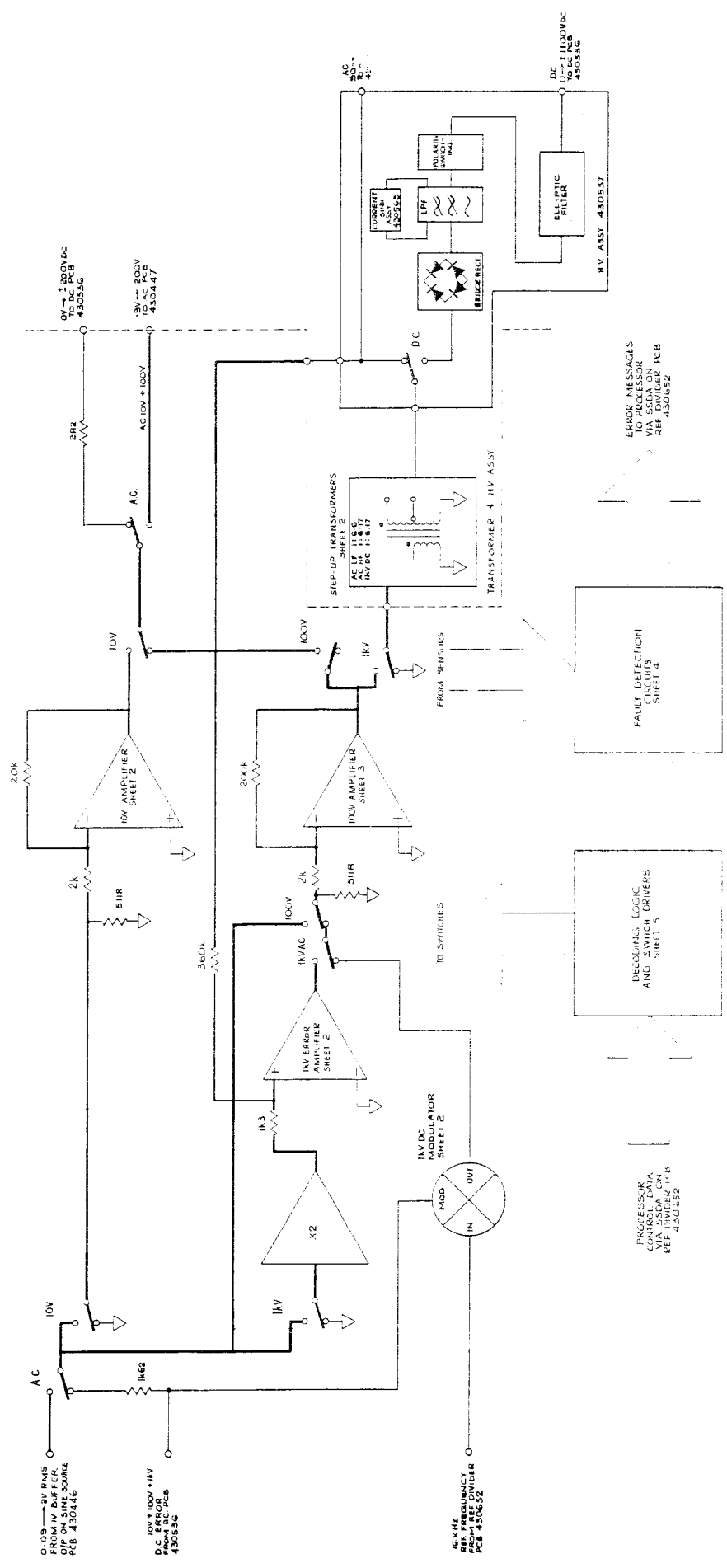
TEST POINT TERMINAL 630007 2P EP

TEST POINT TERMINAL 630007 2P EP

TEST POINT TERMINAL 630007 2P EP

RES





0.05 → 2V RMS FROM IV BUFFER, PCB 430446

10V + 100V + 1kV DC ERROR PCB 430536

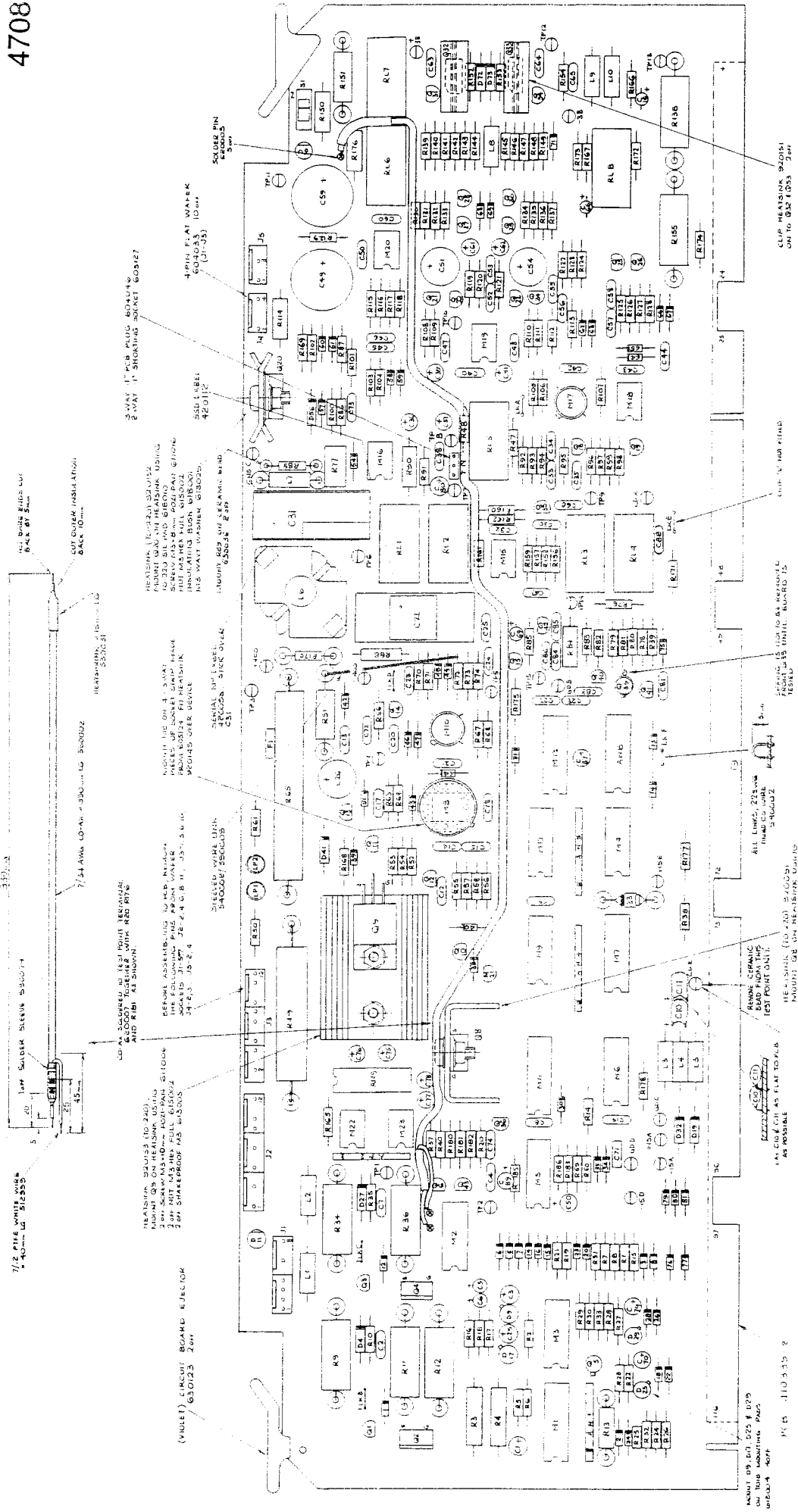
CLK HE REF FREQUENCY INVERTER PCB 430652

PROCESSOR CONTROL DATA SHEET ON REF BOARD PCB 430652

DECODER LOGIC AND SWITCH DRIVERS SHEET 5

FAULT DETECTION CIRCUITS SHEET 4

ERROR MESSAGES TO PROCESSOR VIA SSCA ON REF BOARD PCB 430652



PROTECTING BEADS 630024 (50 Pcs)

BEAD NO.	LOCATION	QUANTITY
1	R15, R51, R51A, R74, C31, L7	1
2	R5, R11, R14, R34, R36, R38, R155	2
3	R19, R45	3

10. THE FOLLOWING MECHANICALS TO MAKE THE BEAD BOARD BEAD 630024 ON EACH LEG (TOTAL 60 BEADS)  
 [ R 05, C15, C19, L19, L21, C21, C26, C32, C42, C43, L30 & L35

REWORK CERAMIC BOARD FOR THE 10-200 (50 Pcs)

REWORK CERAMIC BOARD FOR THE 10-200 (50 Pcs)

REWORK CERAMIC BOARD FOR THE 10-200 (50 Pcs)

REWORK CERAMIC BOARD FOR THE 10-200 (50 Pcs)

REWORK CERAMIC BOARD FOR THE 10-200 (50 Pcs)

REWORK CERAMIC BOARD FOR THE 10-200 (50 Pcs)

INSULATING T.C.

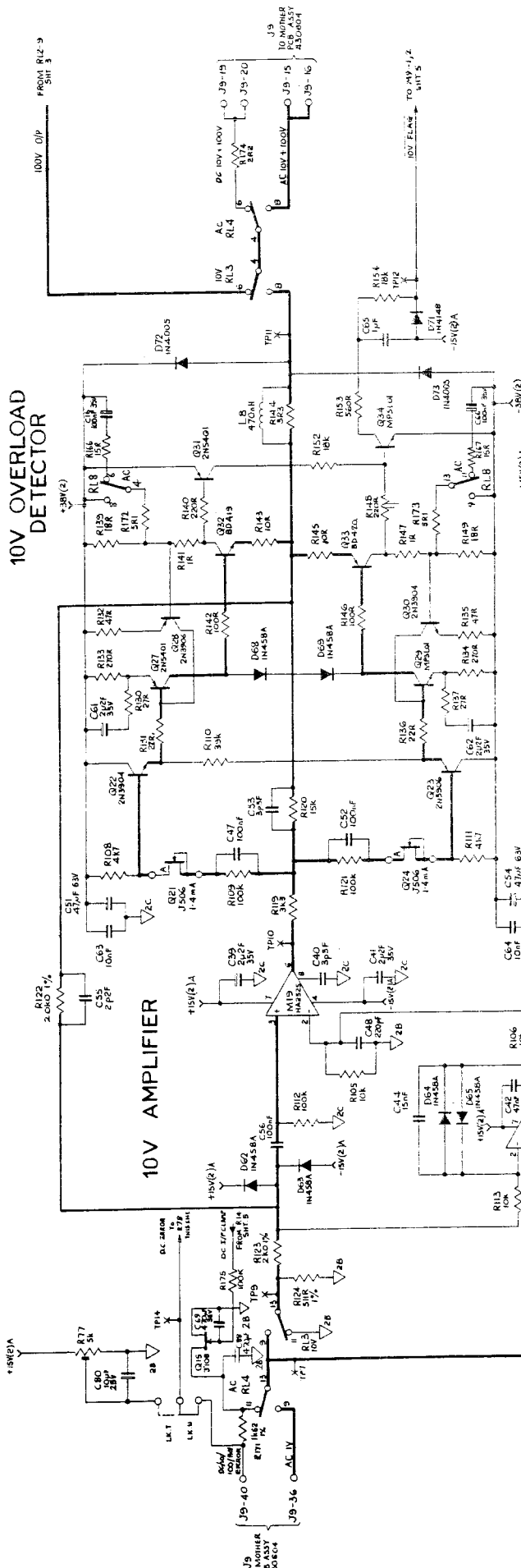
PART NO.	QTY	WHERE USED
630024	7	R15, R51, R51A, R74, C31, L7
630025	7	R5, R11, R14, R34, R36, R38, R155
630026	3	R19, R45
630027	3	R15, R51, R51A, R74, C31, L7

REWORK CERAMIC BOARD FOR THE 10-200 (50 Pcs)

REWORK CERAMIC BOARD FOR THE 10-200 (50 Pcs)

REWORK CERAMIC BOARD FOR THE 10-200 (50 Pcs)

# 10V OVERLOAD DETECTOR



# 10V AMPLIFIER

# SATURATION DETECTOR

# 1kV ERROR AMP

# 1kVDC MODULATOR

# POWER AMPLIFIER ASSEMBLY

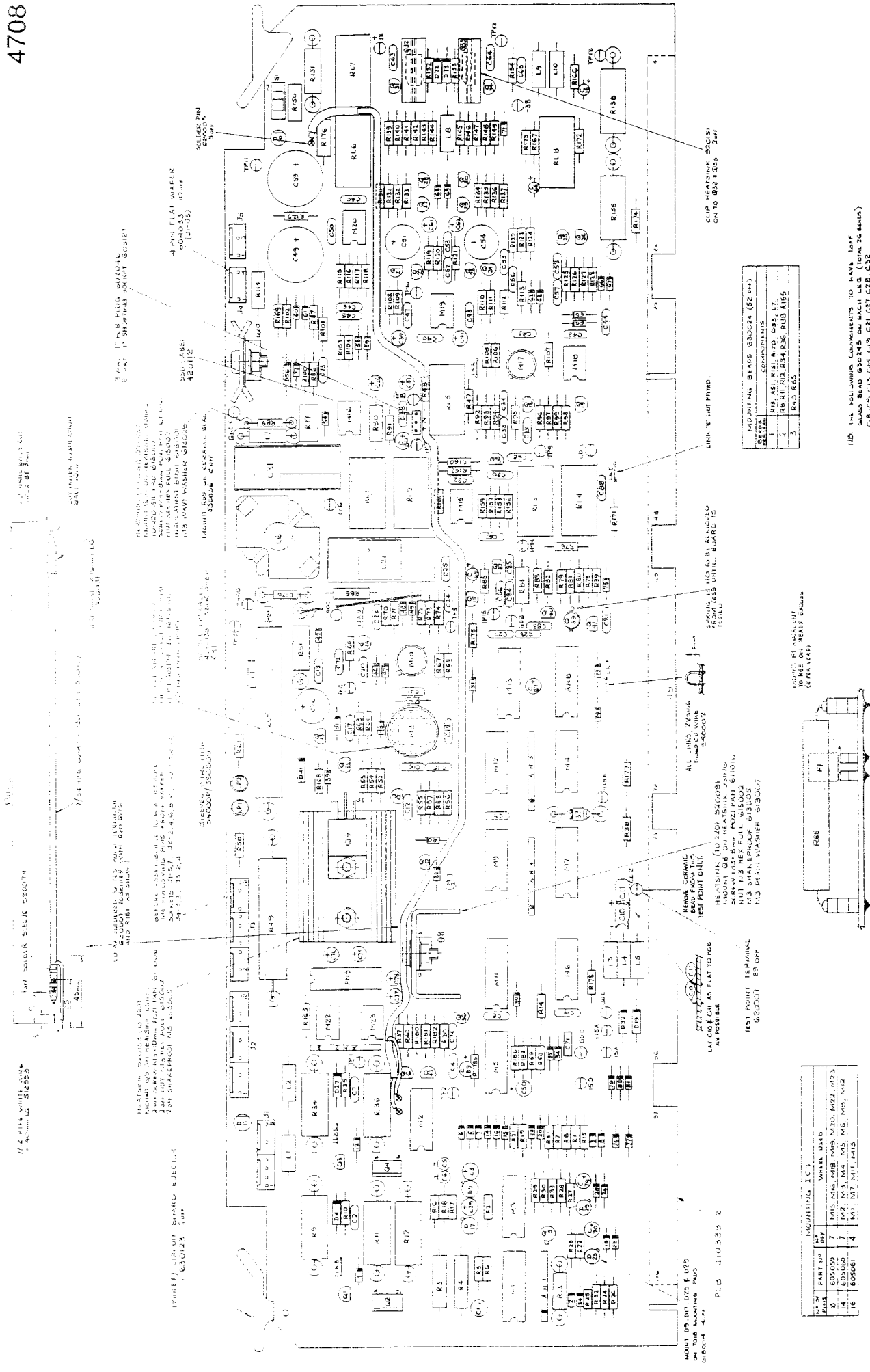
10V and 1kV Amplifiers

Circuit Diagram No. 430618-5.0 Sheet 2



© Datron Instruments 1989

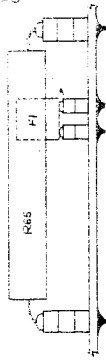
11.9-2



INQUIRIES TO: 313-220-031

BEAD	COMPONENTS
1	R1, R2, R3, R4, R5, R6, R7, R8, R9, R10, R11, R12, R13, R14, R15, R16, R17, R18, R19, R20, R21, R22, R23, R24, R25, R26, R27, R28, R29, R30, R31, R32, R33, R34, R35, R36, R37, R38, R39, R40, R41, R42, R43, R44, R45, R46, R47, R48, R49, R50, R51, R52, R53, R54, R55, R56, R57, R58, R59, R60, R61, R62, R63, R64, R65, R66, R67, R68, R69, R70, R71, R72, R73, R74, R75, R76, R77, R78, R79, R80, R81, R82, R83, R84, R85, R86, R87, R88, R89, R90, R91, R92, R93, R94, R95, R96, R97, R98, R99, R100, R101, R102, R103, R104, R105, R106, R107, R108, R109, R110, R111, R112, R113, R114, R115, R116, R117, R118, R119, R120, R121, R122, R123, R124, R125, R126, R127, R128, R129, R130, R131, R132, R133, R134, R135, R136, R137, R138, R139, R140, R141, R142, R143, R144, R145, R146, R147, R148, R149, R150
2	R1, R2, R3, R4, R5, R6, R7, R8, R9, R10, R11, R12, R13, R14, R15, R16, R17, R18, R19, R20, R21, R22, R23, R24, R25, R26, R27, R28, R29, R30, R31, R32, R33, R34, R35, R36, R37, R38, R39, R40, R41, R42, R43, R44, R45, R46, R47, R48, R49, R50, R51, R52, R53, R54, R55, R56, R57, R58, R59, R60, R61, R62, R63, R64, R65, R66, R67, R68, R69, R70, R71, R72, R73, R74, R75, R76, R77, R78, R79, R80, R81, R82, R83, R84, R85, R86, R87, R88, R89, R90, R91, R92, R93, R94, R95, R96, R97, R98, R99, R100, R101, R102, R103, R104, R105, R106, R107, R108, R109, R110, R111, R112, R113, R114, R115, R116, R117, R118, R119, R120, R121, R122, R123, R124, R125, R126, R127, R128, R129, R130, R131, R132, R133, R134, R135, R136, R137, R138, R139, R140, R141, R142, R143, R144, R145, R146, R147, R148, R149, R150
3	R1, R2, R3, R4, R5, R6, R7, R8, R9, R10, R11, R12, R13, R14, R15, R16, R17, R18, R19, R20, R21, R22, R23, R24, R25, R26, R27, R28, R29, R30, R31, R32, R33, R34, R35, R36, R37, R38, R39, R40, R41, R42, R43, R44, R45, R46, R47, R48, R49, R50, R51, R52, R53, R54, R55, R56, R57, R58, R59, R60, R61, R62, R63, R64, R65, R66, R67, R68, R69, R70, R71, R72, R73, R74, R75, R76, R77, R78, R79, R80, R81, R82, R83, R84, R85, R86, R87, R88, R89, R90, R91, R92, R93, R94, R95, R96, R97, R98, R99, R100, R101, R102, R103, R104, R105, R106, R107, R108, R109, R110, R111, R112, R113, R114, R115, R116, R117, R118, R119, R120, R121, R122, R123, R124, R125, R126, R127, R128, R129, R130, R131, R132, R133, R134, R135, R136, R137, R138, R139, R140, R141, R142, R143, R144, R145, R146, R147, R148, R149, R150

1) THE FOLLOWING COMMENTS TO HAVE LEFT  
 BEAD 63024 ON EACH LEG (DON'T SCRAM)  
 C53, C54, C55, C56, C57, C58, C59, C60, C61, C62, C63, C64, C65, C66, C67, C68, C69, C70, C71, C72, C73, C74, C75, C76, C77, C78, C79, C80, C81, C82, C83, C84, C85, C86, C87, C88, C89, C90, C91, C92, C93, C94, C95, C96, C97, C98, C99, C100



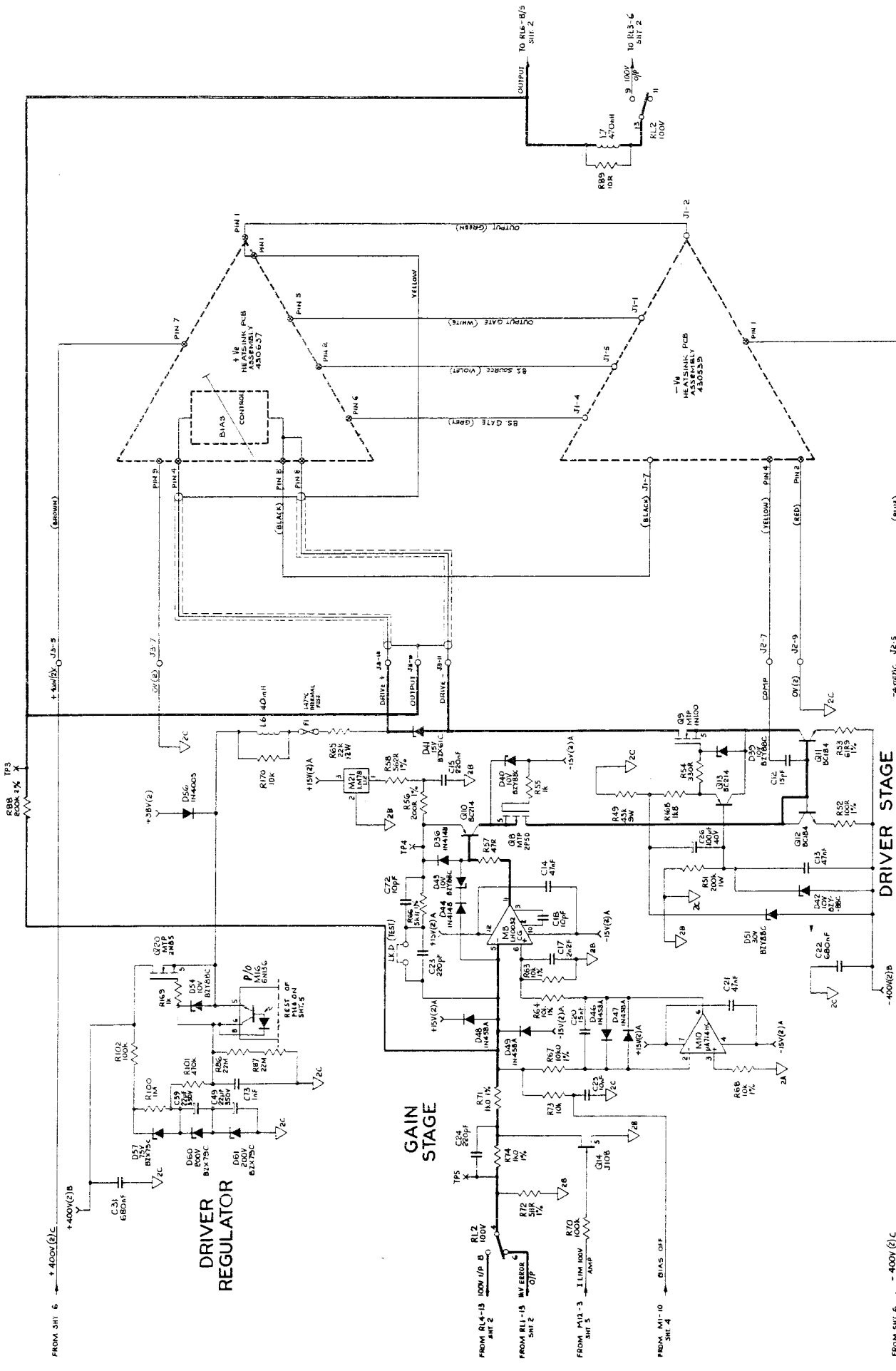
1) THE FOLLOWING COMMENTS TO HAVE LEFT  
 BEAD 63024 ON EACH LEG (DON'T SCRAM)  
 C53, C54, C55, C56, C57, C58, C59, C60, C61, C62, C63, C64, C65, C66, C67, C68, C69, C70, C71, C72, C73, C74, C75, C76, C77, C78, C79, C80, C81, C82, C83, C84, C85, C86, C87, C88, C89, C90, C91, C92, C93, C94, C95, C96, C97, C98, C99, C100

INQUIRIES TO: 313-220-031

QTY	PART NO	WHERE USED
1	605039	M1, M2, M3, M4, M5, M6, M7, M8, M9, M10, M11, M12, M13, M14, M15, M16, M17, M18, M19, M20, M21, M22, M23, M24, M25, M26, M27, M28, M29, M30, M31, M32, M33, M34, M35, M36, M37, M38, M39, M40, M41, M42, M43, M44, M45, M46, M47, M48, M49, M50, M51, M52, M53, M54, M55, M56, M57, M58, M59, M60, M61, M62, M63, M64, M65, M66, M67, M68, M69, M70, M71, M72, M73, M74, M75, M76, M77, M78, M79, M80, M81, M82, M83, M84, M85, M86, M87, M88, M89, M90, M91, M92, M93, M94, M95, M96, M97, M98, M99, M100, M101, M102, M103, M104, M105, M106, M107, M108, M109, M110, M111, M112, M113, M114, M115, M116, M117, M118, M119, M120, M121, M122, M123, M124, M125, M126, M127, M128, M129, M130, M131, M132, M133, M134, M135, M136, M137, M138, M139, M140, M141, M142, M143, M144, M145, M146, M147, M148, M149, M150
1	605040	M1, M2, M3, M4, M5, M6, M7, M8, M9, M10, M11, M12, M13, M14, M15, M16, M17, M18, M19, M20, M21, M22, M23, M24, M25, M26, M27, M28, M29, M30, M31, M32, M33, M34, M35, M36, M37, M38, M39, M40, M41, M42, M43, M44, M45, M46, M47, M48, M49, M50, M51, M52, M53, M54, M55, M56, M57, M58, M59, M60, M61, M62, M63, M64, M65, M66, M67, M68, M69, M70, M71, M72, M73, M74, M75, M76, M77, M78, M79, M80, M81, M82, M83, M84, M85, M86, M87, M88, M89, M90, M91, M92, M93, M94, M95, M96, M97, M98, M99, M100, M101, M102, M103, M104, M105, M106, M107, M108, M109, M110, M111, M112, M113, M114, M115, M116, M117, M118, M119, M120, M121, M122, M123, M124, M125, M126, M127, M128, M129, M130, M131, M132, M133, M134, M135, M136, M137, M138, M139, M140, M141, M142, M143, M144, M145, M146, M147, M148, M149, M150
1	605061	M1, M2, M3, M4, M5, M6, M7, M8, M9, M10, M11, M12, M13, M14, M15, M16, M17, M18, M19, M20, M21, M22, M23, M24, M25, M26, M27, M28, M29, M30, M31, M32, M33, M34, M35, M36, M37, M38, M39, M40, M41, M42, M43, M44, M45, M46, M47, M48, M49, M50, M51, M52, M53, M54, M55, M56, M57, M58, M59, M60, M61, M62, M63, M64, M65, M66, M67, M68, M69, M70, M71, M72, M73, M74, M75, M76, M77, M78, M79, M80, M81, M82, M83, M84, M85, M86, M87, M88, M89, M90, M91, M92, M93, M94, M95, M96, M97, M98, M99, M100, M101, M102, M103, M104, M105, M106, M107, M108, M109, M110, M111, M112, M113, M114, M115, M116, M117, M118, M119, M120, M121, M122, M123, M124, M125, M126, M127, M128, M129, M130, M131, M132, M133, M134, M135, M136, M137, M138, M139, M140, M141, M142, M143, M144, M145, M146, M147, M148, M149, M150

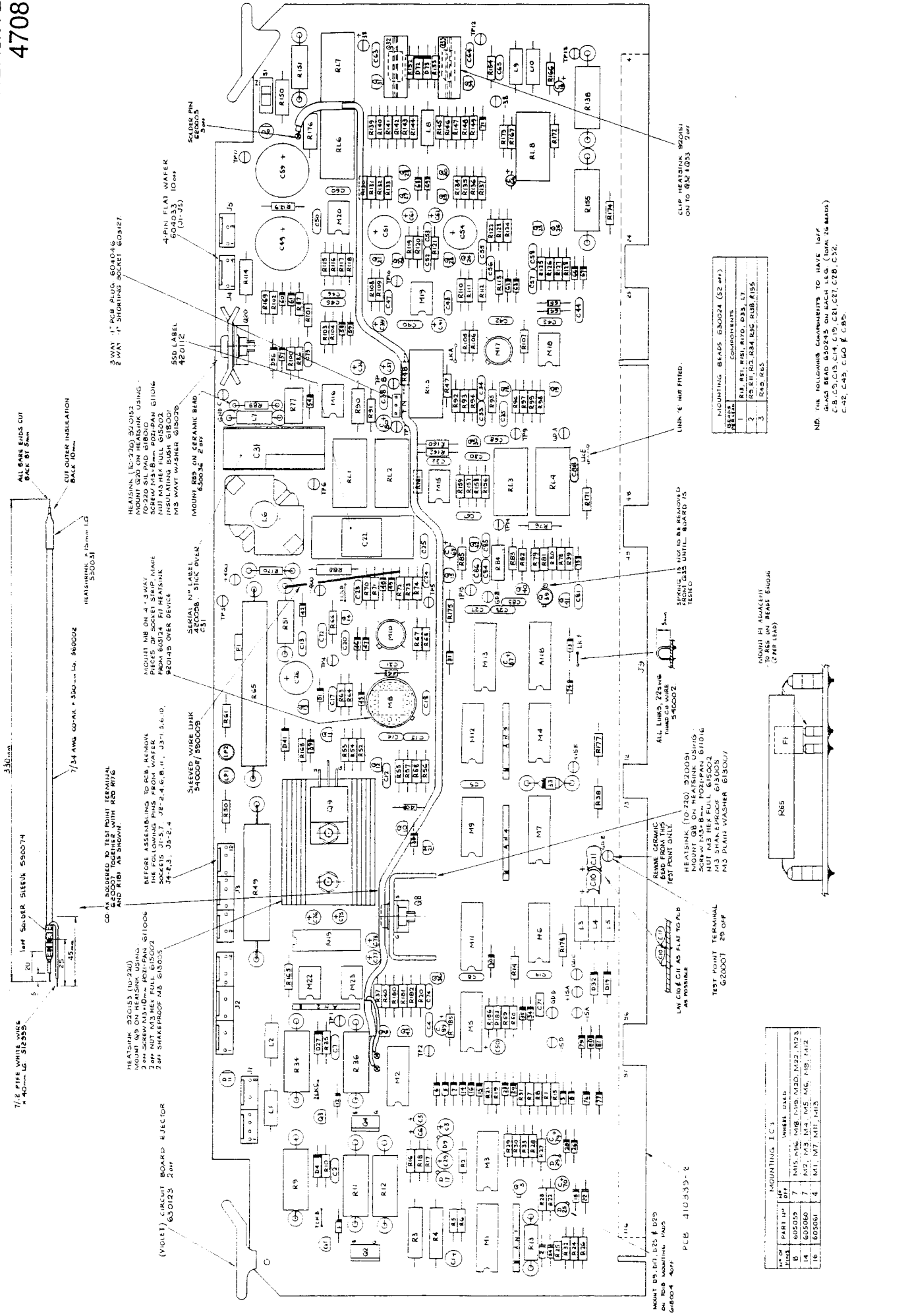
PCB 4103-33-2

MAINT DR 07 075 E 029  
 ON THE MOUNTING PADS  
 GROUP 207



**POWER AMPLIFIER ASSEMBLY**  
100V Amplifier

**POWER AMPLIFIER ASSEMBLY**



3-WAY 1" PCB PLUG 604046  
2-WAY 1" SHROUDED SOCKET 603127

HEATSINK (10-210) 350163  
MOUNT ON HEATSIK USING  
TO-220 SIL PAD 610100  
SCREW M3x8mm NOZIFAN 611016  
INSULATING WASH WASHER  
604033 10mm  
M3 WASH WASHER 610029

552 LABEL 420112

SCREWS PIN 600025 2mm

MOUNT RES ON CERAMIC BEAD 600024 2mm

HEAT-SINK 2 15mm 1.5 550031

CUT OVER INSULATION 604100mm

ALL SARK SLOTS CUT BACK BY 5mm

HEAT-SINK 2 15mm 1.5 550031

7/34 AWS CO-AXIAL 350-... 480002

CO-AXIAL TERMINAL TO TEST POINT TERMINAL G20007 TOGETHER WITH RED WIRE AND RED 1/8" AS SHOWN.

BEFORE ASSEMBLING TO PCB, REMOVAL THE FOLLOWING ITEMS FROM WATERKINDS: 5, 7, 7E-2.4 G R. 1, J51-3.6 D, 7A-6.5, 35-214

SLEAVED WIDE LINK 540006/550009

SEMIAL NIP LABEL 480008, STICK OVER, C51

MOUNT RES ON CERAMIC BEAD 600024 2mm

MOUNT M9 ON 4" SWAY. PIECES OF SOCKET STRIP, NIPAL M3 2.5mm, NOZIFAN 611016, 920495 OVER BEUSE 7A-6.5, 35-214

HEAT-SINK (10-210) 350163  
MOUNT ON HEATSIK USING  
TO-220 SIL PAD 610100  
SCREW M3x8mm NOZIFAN 611016  
INSULATING WASH WASHER  
604033 10mm  
M3 WASH WASHER 610029

(VIOLET) CIRCUIT BOARD EJECTOR 600125 2mm

HEAT-SINK (10-210) 350163  
MOUNT ON HEATSIK USING  
TO-220 SIL PAD 610100  
SCREW M3x8mm NOZIFAN 611016  
INSULATING WASH WASHER  
604033 10mm  
M3 WASH WASHER 610029

HEAT-SINK (10-210) 350163  
MOUNT ON HEATSIK USING  
TO-220 SIL PAD 610100  
SCREW M3x8mm NOZIFAN 611016  
INSULATING WASH WASHER  
604033 10mm  
M3 WASH WASHER 610029

HEAT-SINK (10-210) 350163  
MOUNT ON HEATSIK USING  
TO-220 SIL PAD 610100  
SCREW M3x8mm NOZIFAN 611016  
INSULATING WASH WASHER  
604033 10mm  
M3 WASH WASHER 610029

HEAT-SINK (10-210) 350163  
MOUNT ON HEATSIK USING  
TO-220 SIL PAD 610100  
SCREW M3x8mm NOZIFAN 611016  
INSULATING WASH WASHER  
604033 10mm  
M3 WASH WASHER 610029

HEAT-SINK (10-210) 350163  
MOUNT ON HEATSIK USING  
TO-220 SIL PAD 610100  
SCREW M3x8mm NOZIFAN 611016  
INSULATING WASH WASHER  
604033 10mm  
M3 WASH WASHER 610029

HEAT-SINK (10-210) 350163  
MOUNT ON HEATSIK USING  
TO-220 SIL PAD 610100  
SCREW M3x8mm NOZIFAN 611016  
INSULATING WASH WASHER  
604033 10mm  
M3 WASH WASHER 610029

HEAT-SINK (10-210) 350163  
MOUNT ON HEATSIK USING  
TO-220 SIL PAD 610100  
SCREW M3x8mm NOZIFAN 611016  
INSULATING WASH WASHER  
604033 10mm  
M3 WASH WASHER 610029

HEAT-SINK (10-210) 350163  
MOUNT ON HEATSIK USING  
TO-220 SIL PAD 610100  
SCREW M3x8mm NOZIFAN 611016  
INSULATING WASH WASHER  
604033 10mm  
M3 WASH WASHER 610029

HEAT-SINK (10-210) 350163  
MOUNT ON HEATSIK USING  
TO-220 SIL PAD 610100  
SCREW M3x8mm NOZIFAN 611016  
INSULATING WASH WASHER  
604033 10mm  
M3 WASH WASHER 610029

HEAT-SINK (10-210) 350163  
MOUNT ON HEATSIK USING  
TO-220 SIL PAD 610100  
SCREW M3x8mm NOZIFAN 611016  
INSULATING WASH WASHER  
604033 10mm  
M3 WASH WASHER 610029

HEAT-SINK (10-210) 350163  
MOUNT ON HEATSIK USING  
TO-220 SIL PAD 610100  
SCREW M3x8mm NOZIFAN 611016  
INSULATING WASH WASHER  
604033 10mm  
M3 WASH WASHER 610029

HEAT-SINK (10-210) 350163  
MOUNT ON HEATSIK USING  
TO-220 SIL PAD 610100  
SCREW M3x8mm NOZIFAN 611016  
INSULATING WASH WASHER  
604033 10mm  
M3 WASH WASHER 610029

HEAT-SINK (10-210) 350163  
MOUNT ON HEATSIK USING  
TO-220 SIL PAD 610100  
SCREW M3x8mm NOZIFAN 611016  
INSULATING WASH WASHER  
604033 10mm  
M3 WASH WASHER 610029

HEAT-SINK (10-210) 350163  
MOUNT ON HEATSIK USING  
TO-220 SIL PAD 610100  
SCREW M3x8mm NOZIFAN 611016  
INSULATING WASH WASHER  
604033 10mm  
M3 WASH WASHER 610029

HEAT-SINK (10-210) 350163  
MOUNT ON HEATSIK USING  
TO-220 SIL PAD 610100  
SCREW M3x8mm NOZIFAN 611016  
INSULATING WASH WASHER  
604033 10mm  
M3 WASH WASHER 610029

HEAT-SINK (10-210) 350163  
MOUNT ON HEATSIK USING  
TO-220 SIL PAD 610100  
SCREW M3x8mm NOZIFAN 611016  
INSULATING WASH WASHER  
604033 10mm  
M3 WASH WASHER 610029

HEAT-SINK (10-210) 350163  
MOUNT ON HEATSIK USING  
TO-220 SIL PAD 610100  
SCREW M3x8mm NOZIFAN 611016  
INSULATING WASH WASHER  
604033 10mm  
M3 WASH WASHER 610029

HEAT-SINK (10-210) 350163  
MOUNT ON HEATSIK USING  
TO-220 SIL PAD 610100  
SCREW M3x8mm NOZIFAN 611016  
INSULATING WASH WASHER  
604033 10mm  
M3 WASH WASHER 610029

HEAT-SINK (10-210) 350163  
MOUNT ON HEATSIK USING  
TO-220 SIL PAD 610100  
SCREW M3x8mm NOZIFAN 611016  
INSULATING WASH WASHER  
604033 10mm  
M3 WASH WASHER 610029

HEAT-SINK (10-210) 350163  
MOUNT ON HEATSIK USING  
TO-220 SIL PAD 610100  
SCREW M3x8mm NOZIFAN 611016  
INSULATING WASH WASHER  
604033 10mm  
M3 WASH WASHER 610029

HEAT-SINK (10-210) 350163  
MOUNT ON HEATSIK USING  
TO-220 SIL PAD 610100  
SCREW M3x8mm NOZIFAN 611016  
INSULATING WASH WASHER  
604033 10mm  
M3 WASH WASHER 610029

HEAT-SINK (10-210) 350163  
MOUNT ON HEATSIK USING  
TO-220 SIL PAD 610100  
SCREW M3x8mm NOZIFAN 611016  
INSULATING WASH WASHER  
604033 10mm  
M3 WASH WASHER 610029

HEAT-SINK (10-210) 350163  
MOUNT ON HEATSIK USING  
TO-220 SIL PAD 610100  
SCREW M3x8mm NOZIFAN 611016  
INSULATING WASH WASHER  
604033 10mm  
M3 WASH WASHER 610029

HEAT-SINK (10-210) 350163  
MOUNT ON HEATSIK USING  
TO-220 SIL PAD 610100  
SCREW M3x8mm NOZIFAN 611016  
INSULATING WASH WASHER  
604033 10mm  
M3 WASH WASHER 610029

HEAT-SINK (10-210) 350163  
MOUNT ON HEATSIK USING  
TO-220 SIL PAD 610100  
SCREW M3x8mm NOZIFAN 611016  
INSULATING WASH WASHER  
604033 10mm  
M3 WASH WASHER 610029

HEAT-SINK (10-210) 350163  
MOUNT ON HEATSIK USING  
TO-220 SIL PAD 610100  
SCREW M3x8mm NOZIFAN 611016  
INSULATING WASH WASHER  
604033 10mm  
M3 WASH WASHER 610029

ITEM NO.	PART NO.	WHERE USED
6	605055	M15, M16, M18, M19, M20, M22, M23
14	605060	M2, M3, M4, M5, M6, M8, M12, M13
16	605061	M1, M7, M11, M13

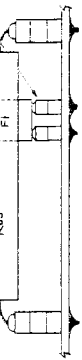
ALL LINKS, 225mm 540002

FRONT GASKETS TO BE REMOVED FROM GASKETS UNTIL BAKED TO 75.

LINKS NOT FITTED.

FRONT GASKETS TO BE REMOVED FROM GASKETS UNTIL BAKED TO 75.

FRONT GASKETS TO BE REMOVED FROM GASKETS UNTIL BAKED TO 75.



FRONT GASKETS TO BE REMOVED FROM GASKETS UNTIL BAKED TO 75.

FRONT GASKETS TO BE REMOVED FROM GASKETS UNTIL BAKED TO 75.

FRONT GASKETS TO BE REMOVED FROM GASKETS UNTIL BAKED TO 75.

ITEM NO.	PART NO.	WHERE USED
6	605055	M15, M16, M18, M19, M20, M22, M23
14	605060	M2, M3, M4, M5, M6, M8, M12, M13
16	605061	M1, M7, M11, M13

HEAT-SINK (10-210) 350163  
MOUNT ON HEATSIK USING  
TO-220 SIL PAD 610100  
SCREW M3x8mm NOZIFAN 611016  
INSULATING WASH WASHER  
604033 10mm  
M3 WASH WASHER 610029

HEAT-SINK (10-210) 350163  
MOUNT ON HEATSIK USING  
TO-220 SIL PAD 610100  
SCREW M3x8mm NOZIFAN 611016  
INSULATING WASH WASHER  
604033 10mm  
M3 WASH WASHER 610029

HEAT-SINK (10-210) 350163  
MOUNT ON HEATSIK USING  
TO-220 SIL PAD 610100  
SCREW M3x8mm NOZIFAN 611016  
INSULATING WASH WASHER  
604033 10mm  
M3 WASH WASHER 610029

HEAT-SINK (10-210) 350163  
MOUNT ON HEATSIK USING  
TO-220 SIL PAD 610100  
SCREW M3x8mm NOZIFAN 611016  
INSULATING WASH WASHER  
604033 10mm  
M3 WASH WASHER 610029

HEAT-SINK (10-210) 350163  
MOUNT ON HEATSIK USING  
TO-220 SIL PAD 610100  
SCREW M3x8mm NOZIFAN 611016  
INSULATING WASH WASHER  
604033 10mm  
M3 WASH WASHER 610029

HEAT-SINK (10-210) 350163  
MOUNT ON HEATSIK USING  
TO-220 SIL PAD 610100  
SCREW M3x8mm NOZIFAN 611016  
INSULATING WASH WASHER  
604033 10mm  
M3 WASH WASHER 610029

HEAT-SINK (10-210) 350163  
MOUNT ON HEATSIK USING  
TO-220 SIL PAD 610100  
SCREW M3x8mm NOZIFAN 611016  
INSULATING WASH WASHER  
604033 10mm  
M3 WASH WASHER 610029

HEAT-SINK (10-210) 350163  
MOUNT ON HEATSIK USING  
TO-220 SIL PAD 610100  
SCREW M3x8mm NOZIFAN 611016  
INSULATING WASH WASHER  
604033 10mm  
M3 WASH WASHER 610029

HEAT-SINK (10-210) 350163  
MOUNT ON HEATSIK USING  
TO-220 SIL PAD 610100  
SCREW M3x8mm NOZIFAN 611016  
INSULATING WASH WASHER  
604033 10mm  
M3 WASH WASHER 610029

HEAT-SINK (10-210) 350163  
MOUNT ON HEATSIK USING  
TO-220 SIL PAD 610100  
SCREW M3x8mm NOZIFAN 611016  
INSULATING WASH WASHER  
604033 10mm  
M3 WASH WASHER 610029

HEAT-SINK (10-210) 350163  
MOUNT ON HEATSIK USING  
TO-220 SIL PAD 610100  
SCREW M3x8mm NOZIFAN 611016  
INSULATING WASH WASHER  
604033 10mm  
M3 WASH WASHER 610029

HEAT-SINK (10-210) 350163  
MOUNT ON HEATSIK USING  
TO-220 SIL PAD 610100  
SCREW M3x8mm NOZIFAN 611016  
INSULATING WASH WASHER  
604033 10mm  
M3 WASH WASHER 610029

HEAT-SINK (10-210) 350163  
MOUNT ON HEATSIK USING  
TO-220 SIL PAD 610100  
SCREW M3x8mm NOZIFAN 611016  
INSULATING WASH WASHER  
604033 10mm  
M3 WASH WASHER 610029

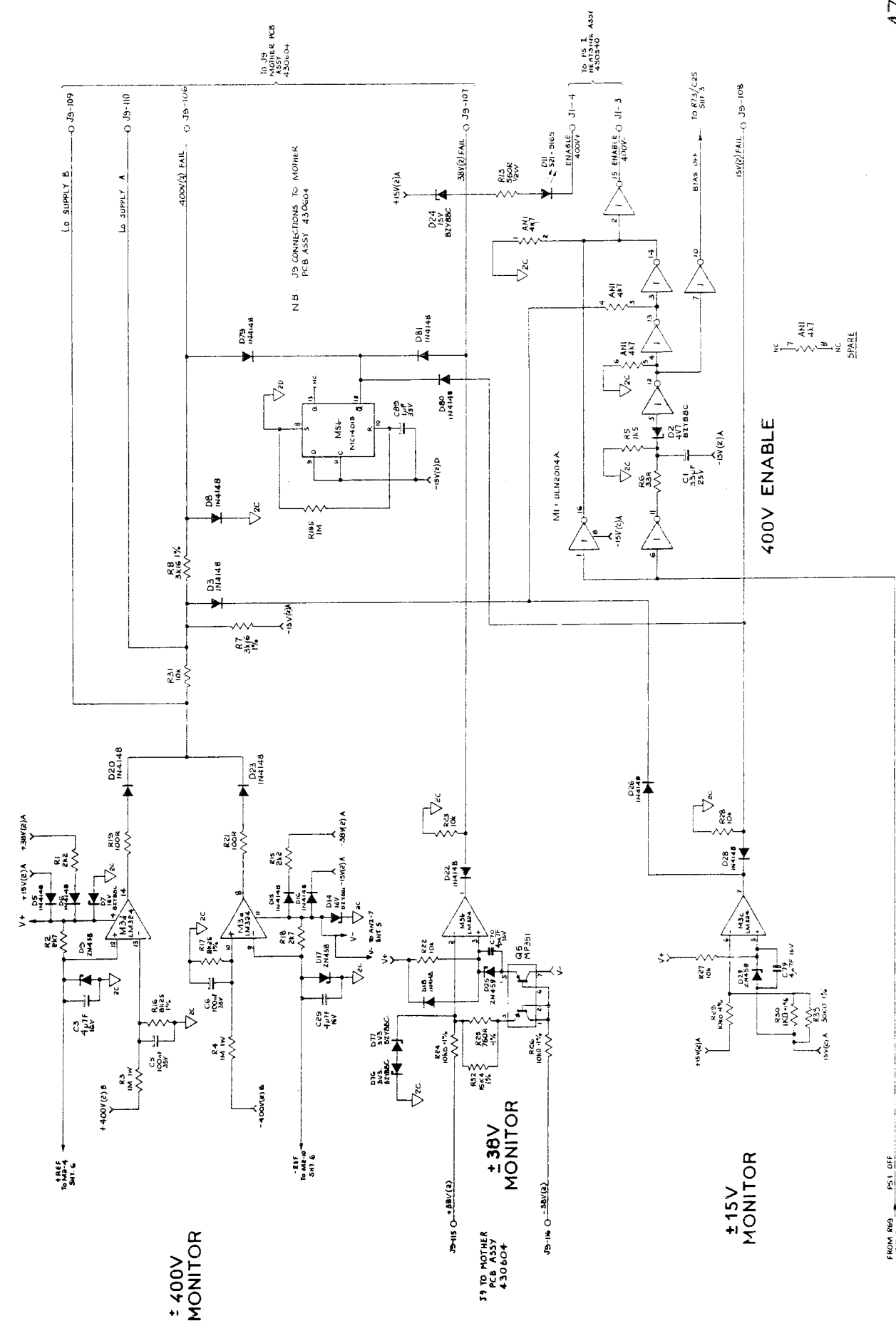
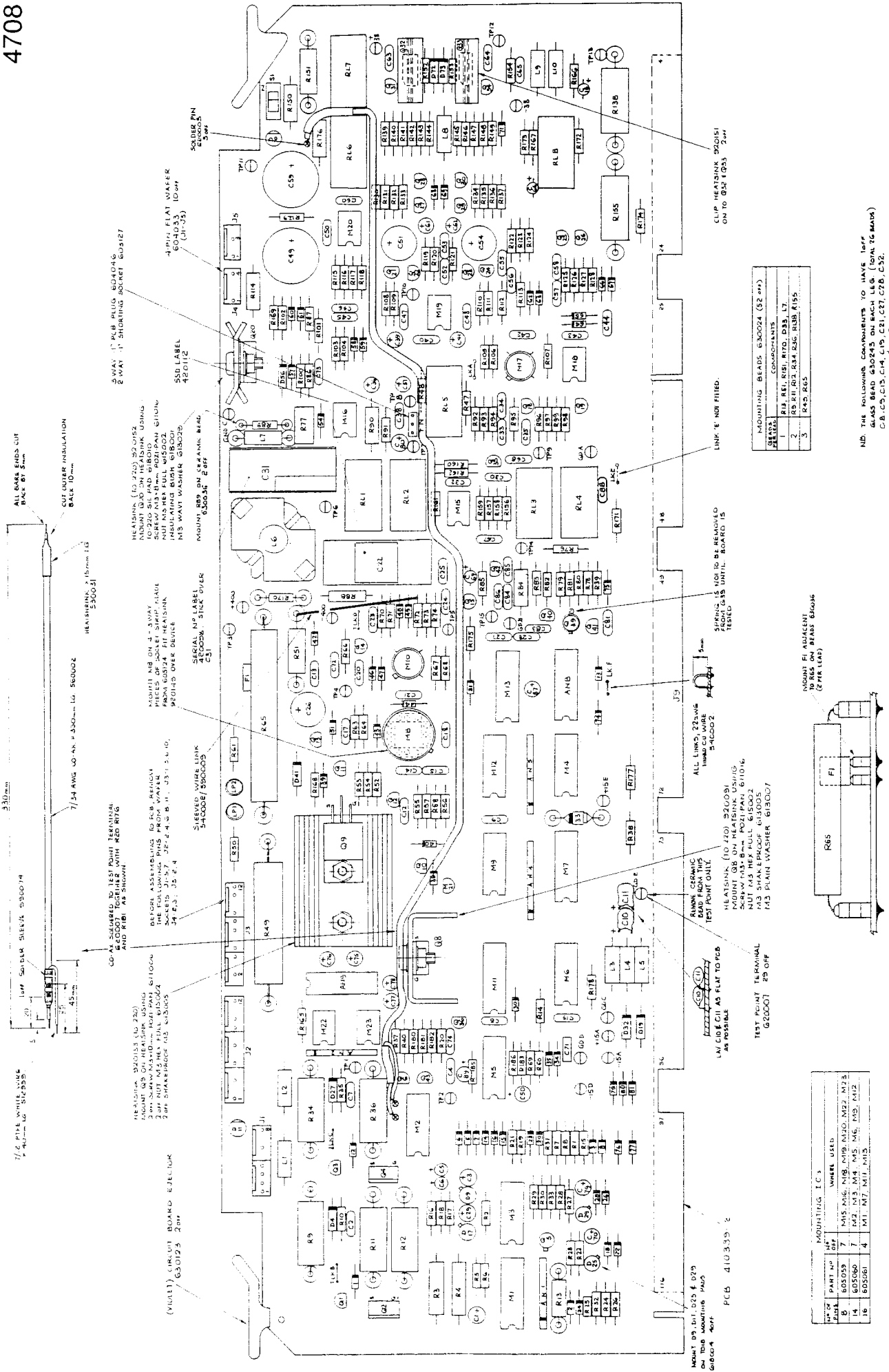


FIGURE 505  
SMT 5

**POWER AMPLIFIER ASSEMBLY**  
Power Supply Monitors  
Circuit Diagram No. 430618-5.0 Sheet 4

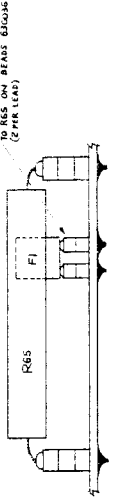
**POWER AMPLIFIER ASSEMBLY**



MOUNTING BEADS 630024 (82 Pcs)

BEAD	COMPONENTS
1	R1, R11, R12, R13, R14, R15, R16, R17, R18, R19, R20, R21, R22, R23, R24, R25, R26, R27, R28, R29, R30, R31, R32, R33, R34, R35, R36, R37, R38, R39, R40, R41, R42, R43, R44, R45, R46, R47, R48, R49, R50, R51, R52, R53, R54, R55, R56, R57, R58, R59, R60, R61, R62, R63, R64, R65, R66, R67, R68, R69, R70, R71, R72, R73, R74, R75, R76, R77, R78, R79, R80, R81, R82, R83, R84, R85, R86, R87, R88, R89, R90, R91, R92, R93, R94, R95, R96, R97, R98, R99, R100, R101, R102, R103, R104, R105, R106, R107, R108, R109, R110, R111, R112, R113, R114, R115, R116, R117, R118, R119, R120, R121, R122, R123, R124, R125, R126, R127, R128, R129, R130, R131, R132, R133, R134, R135, R136, R137, R138, R139, R140, R141, R142, R143, R144, R145, R146, R147, R148, R149, R150
2	R5, R6, R7, R8, R9, R10, R11, R12, R13, R14, R15, R16, R17, R18, R19, R20, R21, R22, R23, R24, R25, R26, R27, R28, R29, R30, R31, R32, R33, R34, R35, R36, R37, R38, R39, R40, R41, R42, R43, R44, R45, R46, R47, R48, R49, R50, R51, R52, R53, R54, R55, R56, R57, R58, R59, R60, R61, R62, R63, R64, R65, R66, R67, R68, R69, R70, R71, R72, R73, R74, R75, R76, R77, R78, R79, R80, R81, R82, R83, R84, R85, R86, R87, R88, R89, R90, R91, R92, R93, R94, R95, R96, R97, R98, R99, R100, R101, R102, R103, R104, R105, R106, R107, R108, R109, R110, R111, R112, R113, R114, R115, R116, R117, R118, R119, R120, R121, R122, R123, R124, R125, R126, R127, R128, R129, R130, R131, R132, R133, R134, R135, R136, R137, R138, R139, R140, R141, R142, R143, R144, R145, R146, R147, R148, R149, R150
3	R45, R46

NOTE: THE FOLLOWING COMPONENTS TO HAVE LEFT  
 C1, C2, C13, C14, C19, C21, C27, C28, C32,  
 C42, C43, C46 & C48.



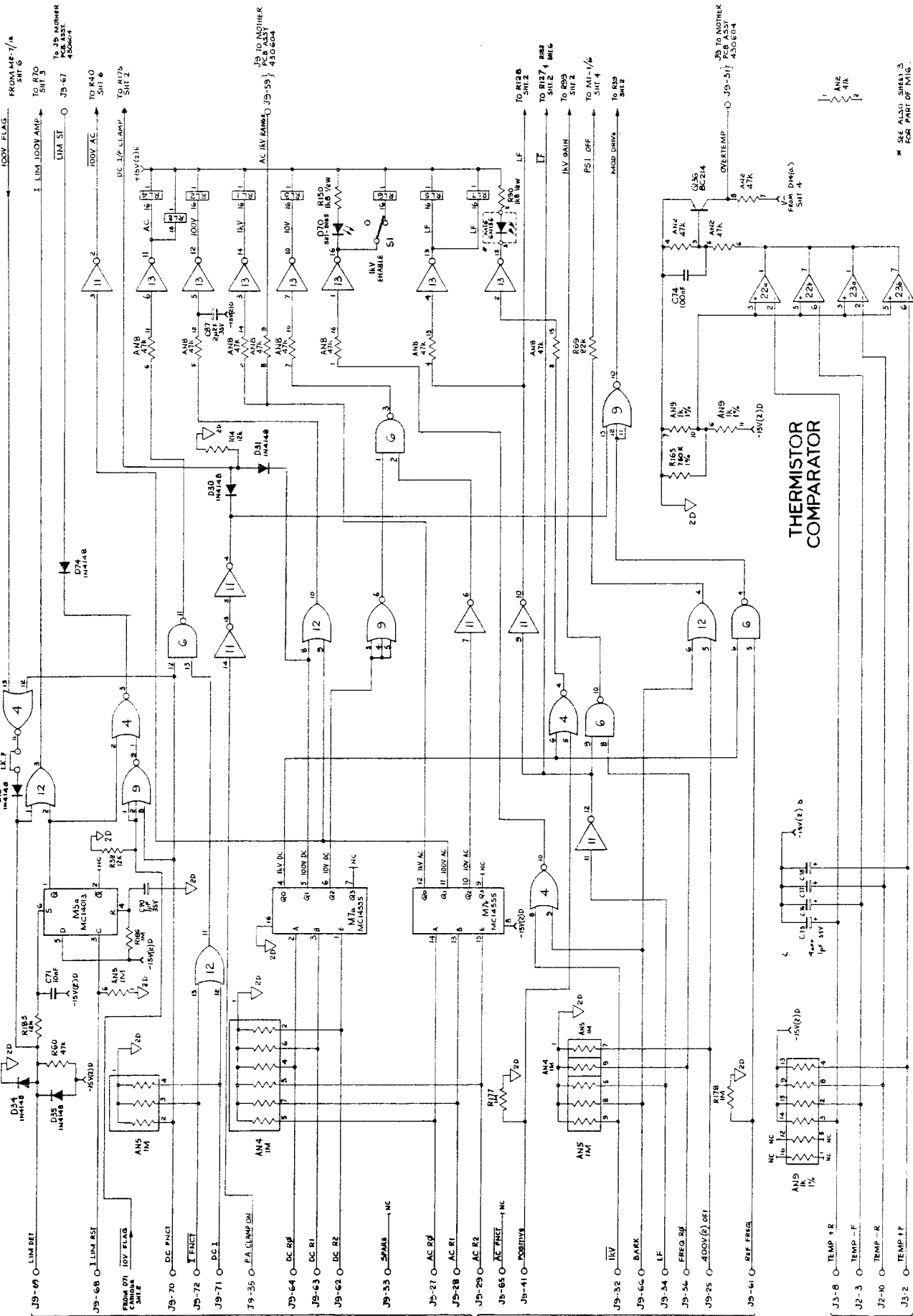
MOUNTING BEADS 630024 (82 Pcs)

BEAD	COMPONENTS
1	R1, R11, R12, R13, R14, R15, R16, R17, R18, R19, R20, R21, R22, R23, R24, R25, R26, R27, R28, R29, R30, R31, R32, R33, R34, R35, R36, R37, R38, R39, R40, R41, R42, R43, R44, R45, R46, R47, R48, R49, R50, R51, R52, R53, R54, R55, R56, R57, R58, R59, R60, R61, R62, R63, R64, R65, R66, R67, R68, R69, R70, R71, R72, R73, R74, R75, R76, R77, R78, R79, R80, R81, R82, R83, R84, R85, R86, R87, R88, R89, R90, R91, R92, R93, R94, R95, R96, R97, R98, R99, R100, R101, R102, R103, R104, R105, R106, R107, R108, R109, R110, R111, R112, R113, R114, R115, R116, R117, R118, R119, R120, R121, R122, R123, R124, R125, R126, R127, R128, R129, R130, R131, R132, R133, R134, R135, R136, R137, R138, R139, R140, R141, R142, R143, R144, R145, R146, R147, R148, R149, R150
2	R5, R6, R7, R8, R9, R10, R11, R12, R13, R14, R15, R16, R17, R18, R19, R20, R21, R22, R23, R24, R25, R26, R27, R28, R29, R30, R31, R32, R33, R34, R35, R36, R37, R38, R39, R40, R41, R42, R43, R44, R45, R46, R47, R48, R49, R50, R51, R52, R53, R54, R55, R56, R57, R58, R59, R60, R61, R62, R63, R64, R65, R66, R67, R68, R69, R70, R71, R72, R73, R74, R75, R76, R77, R78, R79, R80, R81, R82, R83, R84, R85, R86, R87, R88, R89, R90, R91, R92, R93, R94, R95, R96, R97, R98, R99, R100, R101, R102, R103, R104, R105, R106, R107, R108, R109, R110, R111, R112, R113, R114, R115, R116, R117, R118, R119, R120, R121, R122, R123, R124, R125, R126, R127, R128, R129, R130, R131, R132, R133, R134, R135, R136, R137, R138, R139, R140, R141, R142, R143, R144, R145, R146, R147, R148, R149, R150
3	R45, R46

MOUNT D5, D1, D25 & D23  
 ON THIS MOUNTING PLATE  
 630004 80FF

PCB 410333 2





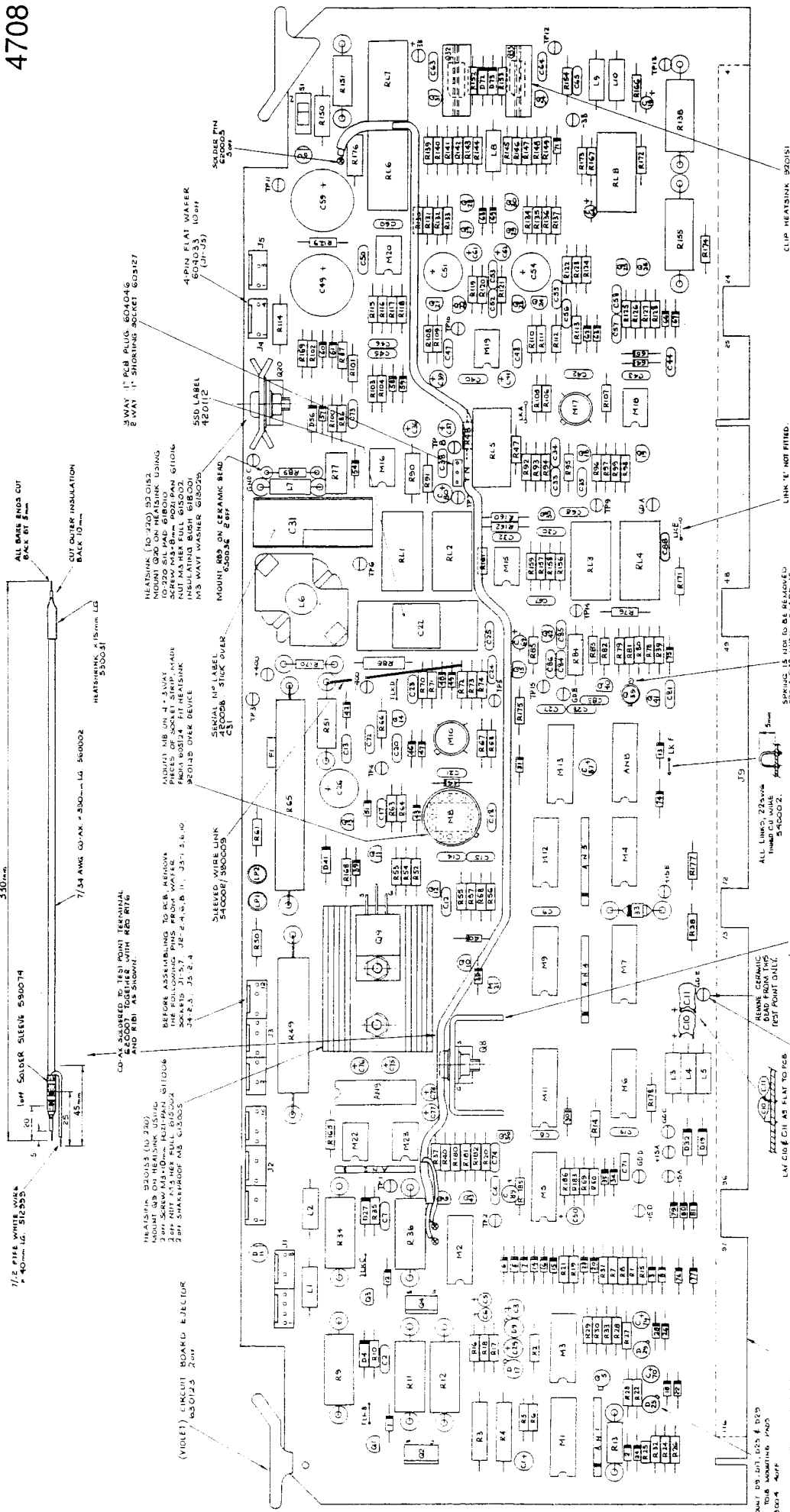
**POWER AMPLIFIER ASSEMBLY**  
 Logic and Relay Drives

J2 TO NEG HEAT SINK ANS2 430618-5.0 SHIF 3  
 J3 TO POS HEAT SINK ANS1 430618-5.0 SHIF 3  
 J4 TO NEG HEAT SINK ANS3 430618-5.0 SHIF 3  
 J5 TO POS HEAT SINK ANS4 430618-5.0 SHIF 3

TO J9 NUMBER PCB 430618-5.0 SHIF 3

\* SEE ANS1 SHIF 3 FOR PART OF MFG.

**POWER AMPLIFIER ASSEMBLY**



BEAD	COMPONENTS
1	R4, R1, R12, R14, R15, R16, R17, R18, R19, R20, R21, R22, R23, R24, R25, R26, R27, R28, R29, R30, R31, R32, R33, R34, R35, R36, R37, R38, R39, R40, R41, R42, R43, R44, R45, R46, R47, R48, R49, R50, R51, R52, R53, R54, R55, R56, R57, R58, R59, R60, R61, R62, R63, R64, R65, R66, R67, R68, R69, R70, R71, R72, R73, R74, R75, R76, R77, R78, R79, R80, R81, R82, R83, R84, R85, R86, R87, R88, R89, R90, R91, R92, R93, R94, R95, R96, R97, R98, R99, R100
2	R4, R1, R12, R14, R15, R16, R17, R18, R19, R20, R21, R22, R23, R24, R25, R26, R27, R28, R29, R30, R31, R32, R33, R34, R35, R36, R37, R38, R39, R40, R41, R42, R43, R44, R45, R46, R47, R48, R49, R50, R51, R52, R53, R54, R55, R56, R57, R58, R59, R60, R61, R62, R63, R64, R65, R66, R67, R68, R69, R70, R71, R72, R73, R74, R75, R76, R77, R78, R79, R80, R81, R82, R83, R84, R85, R86, R87, R88, R89, R90, R91, R92, R93, R94, R95, R96, R97, R98, R99, R100
3	R4, R1, R12, R14, R15, R16, R17, R18, R19, R20, R21, R22, R23, R24, R25, R26, R27, R28, R29, R30, R31, R32, R33, R34, R35, R36, R37, R38, R39, R40, R41, R42, R43, R44, R45, R46, R47, R48, R49, R50, R51, R52, R53, R54, R55, R56, R57, R58, R59, R60, R61, R62, R63, R64, R65, R66, R67, R68, R69, R70, R71, R72, R73, R74, R75, R76, R77, R78, R79, R80, R81, R82, R83, R84, R85, R86, R87, R88, R89, R90, R91, R92, R93, R94, R95, R96, R97, R98, R99, R100

NOTE: THE FOLLOWING COMPONENTS TO BE ASSEMBLED ON THIS MOUNTING BOARD (SEE DRAWING 480618-5.1) (SEE DRAWING 480618-5.1)

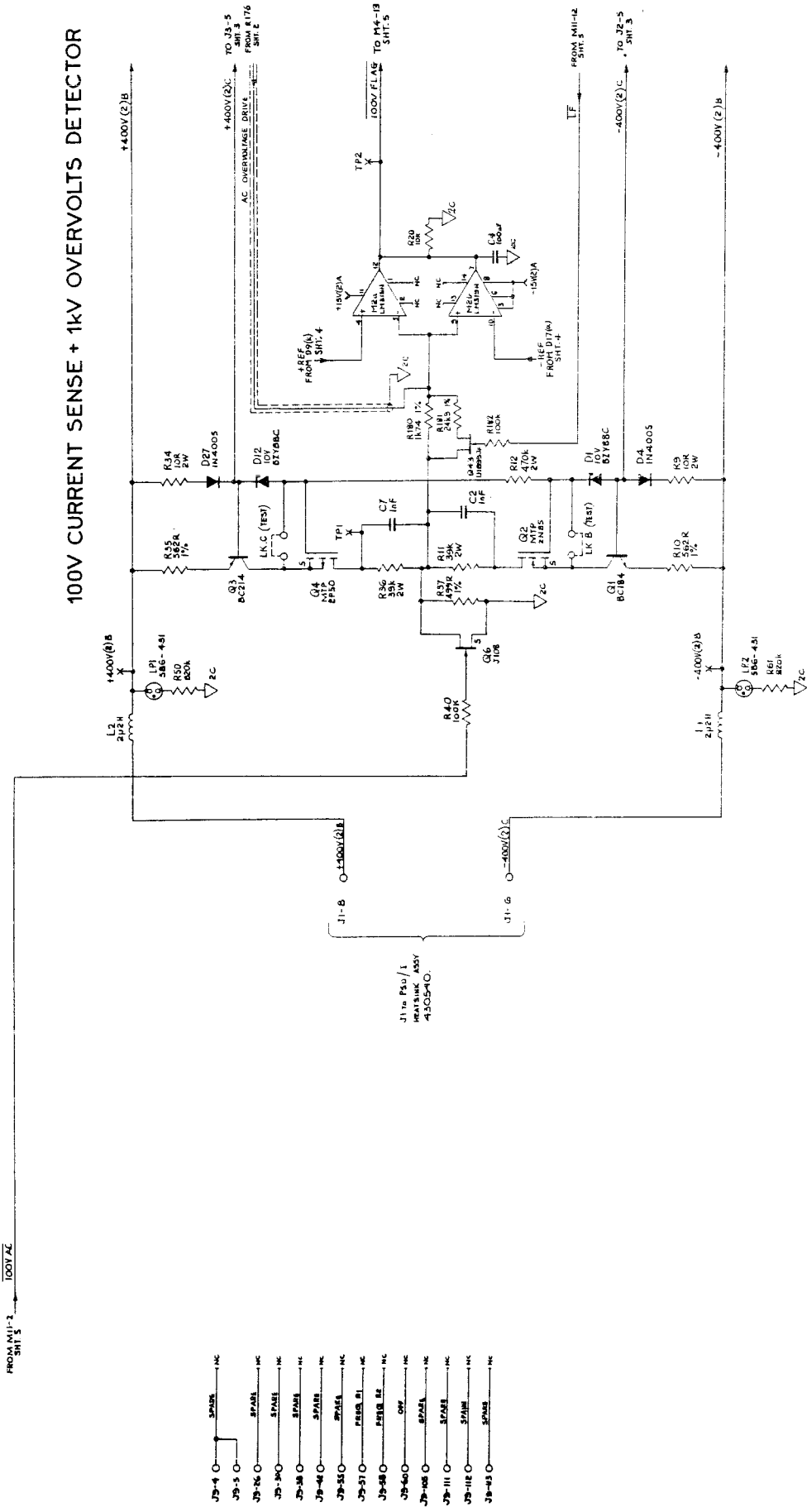
C42, C43, C44, C45, C46, C47, C48, C49, C50, C51, C52, C53, C54, C55, C56, C57, C58, C59, C60, C61, C62, C63, C64, C65, C66, C67, C68, C69, C70, C71, C72, C73, C74, C75, C76, C77, C78, C79, C80, C81, C82, C83, C84, C85, C86, C87, C88, C89, C90, C91, C92, C93, C94, C95, C96, C97, C98, C99, C100

PART NO.	QTY	UNIT	USED
6	1	RES.	1
7	1	RES.	1
8	1	RES.	1
9	1	RES.	1
10	1	RES.	1
11	1	RES.	1
12	1	RES.	1
13	1	RES.	1
14	1	RES.	1
15	1	RES.	1
16	1	RES.	1

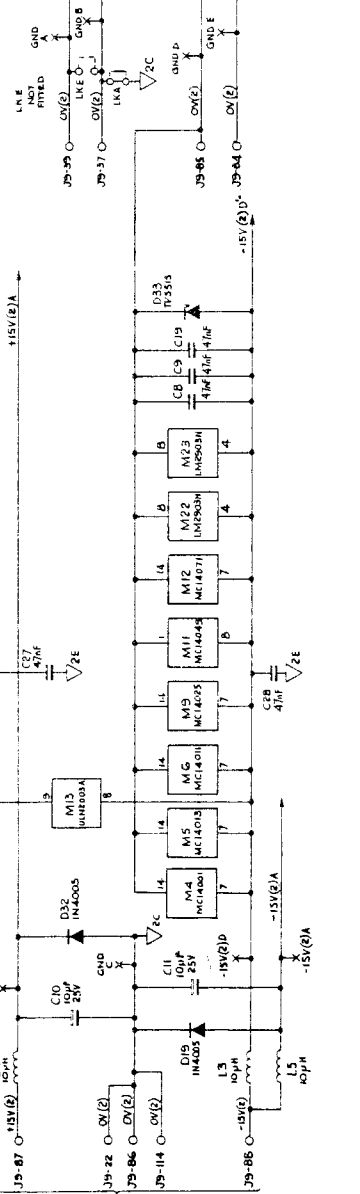
PCB 310335 2

MOUNT Q9, Q10, Q11, Q12, Q13, Q14, Q15, Q16, Q17, Q18, Q19, Q20, Q21, Q22, Q23, Q24, Q25, Q26, Q27, Q28, Q29, Q30, Q31, Q32, Q33, Q34, Q35, Q36, Q37, Q38, Q39, Q40, Q41, Q42, Q43, Q44, Q45, Q46, Q47, Q48, Q49, Q50, Q51, Q52, Q53, Q54, Q55, Q56, Q57, Q58, Q59, Q60, Q61, Q62, Q63, Q64, Q65, Q66, Q67, Q68, Q69, Q70, Q71, Q72, Q73, Q74, Q75, Q76, Q77, Q78, Q79, Q80, Q81, Q82, Q83, Q84, Q85, Q86, Q87, Q88, Q89, Q90, Q91, Q92, Q93, Q94, Q95, Q96, Q97, Q98, Q99, Q100

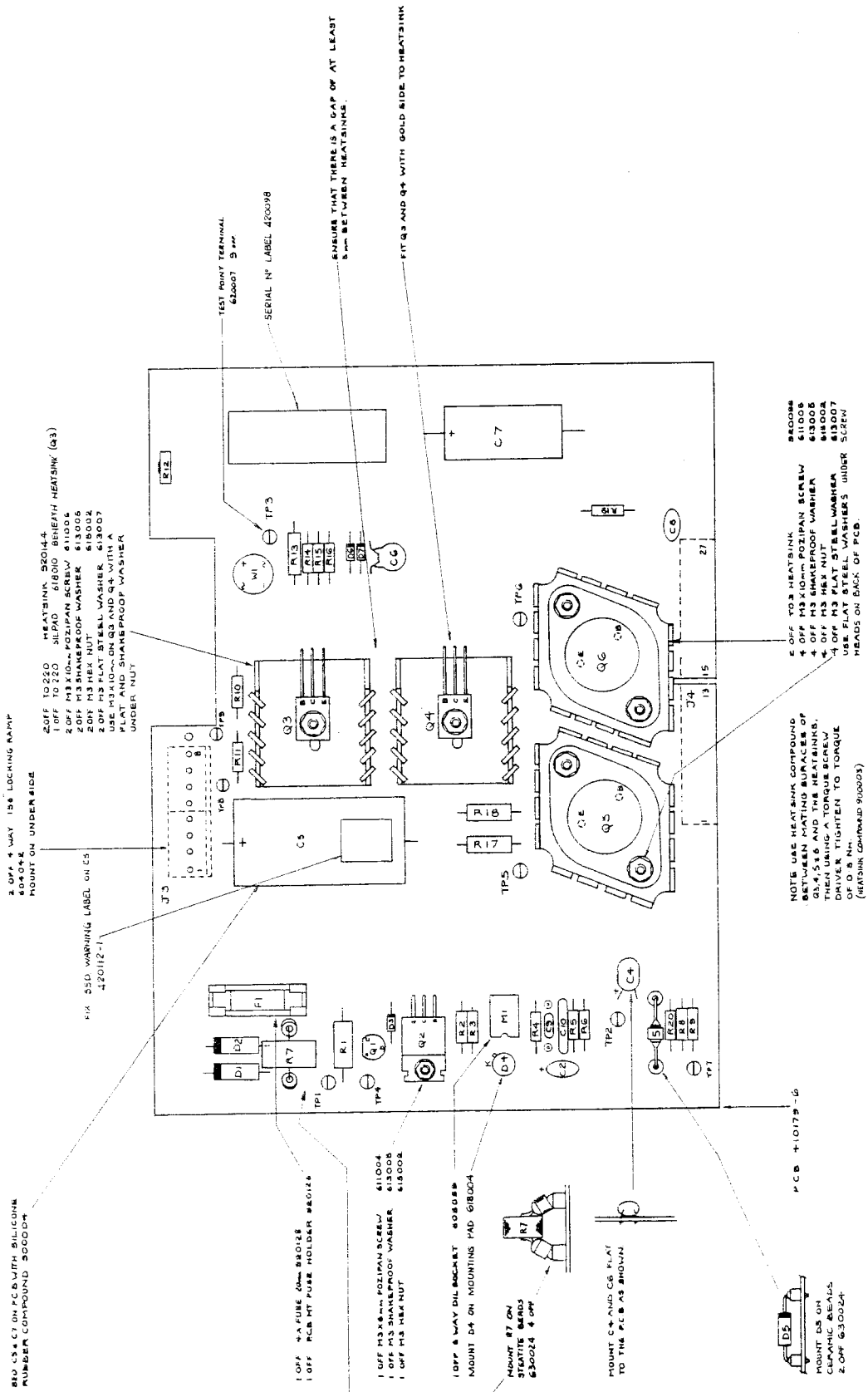
# 100V CURRENT SENSE + 1kV OVERVOLTS DETECTOR



**4708**  
**datron**  
 INSTRUMENTS  
 © Datron Instruments 1989  
 11.9-6



**POWER AMPLIFIER ASSEMBLY**  
 100V Overload Detector and Power Supplies  
 Circuit Diagram No. 430618-5.0 Sheet 6



820 U3 & C7 ON PCB WITH SILICONE  
 NUMBER COMPOUND 90000+

3 OFF 4 WAY 156 LOCKING RAMP  
 804042  
 POINT ON UNDER SIDE

2 OFF 10/220  
 30014  
 2 OFF M3 X 1.0mm POZIPAN SCREW (Q3)  
 2 OFF M3 SHANKPROOF WASHER 610004  
 2 OFF M3 FLAT STEEL WASHER 610002  
 2 OFF M3 HEX NUT 610004  
 USE M3 X 1.0mm ON Q3 AND Q4 WITH A  
 SHANKPROOF WASHER  
 UNDER NUT

TEST POINT TERMINAL  
 610007 5 WIP

SERIAL N° LABEL 420098

ENSURE THAT THERE IS A GAP OF AT LEAST  
 8mm BETWEEN HEAT SINKS.

FIT Q3 AND Q4 WITH GOLD SIDE TO HEAT SINK

NOTE USE HEAT SINK COMPOUND  
 BETWEEN MATING SURFACES OF  
 Q3, Q4, S18 AND THE HEAT SINKS.  
 DRIVERS TIGHTEN TO TORQUE  
 OF 0.8 Nm.  
 (HEAT SINK COMPOUND 900003)

2 OFF TOR HEAT SINK  
 4 OFF M3 X 1.0mm POZIPAN SCREW  
 610004  
 4 OFF M3 SHANKPROOF WASHER  
 610004  
 4 OFF M3 HEX NUT  
 610004  
 4 OFF M3 FLAT STEEL WASHER  
 610002  
 USE FLAT STEEL WASHERS UNDER  
 SCREW  
 HEADS ON BACK OF PCB.

1 OFF 4X FUSE 20mm BR028  
 1 OFF PCB MOUNT FUSE HOLDER 860124

1 OFF M3 X 1.0mm POZIPAN SCREW 610004  
 1 OFF M3 SHANKPROOF WASHER 610004  
 1 OFF M3 HEX NUT

1 OFF 4 WAY DIL SOCKET 808058  
 MOUNT ON MOUNTING PAD 610004

MOUNT D8 ON  
 MOUNTING PAD  
 610004 4 OFF

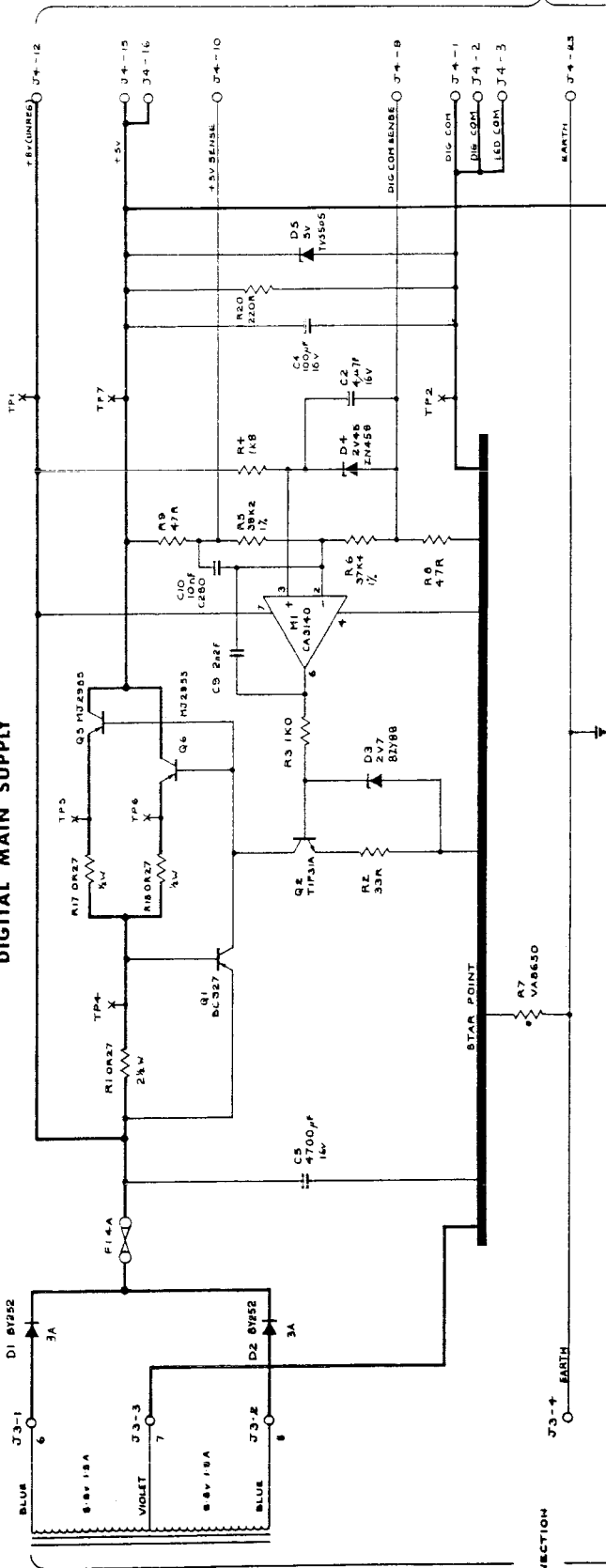
POINT C6 AND C6 FLAT  
 TO THE PCB AS SHOWN

PCB 1-10179-6

POINT D8 ON  
 CERAMIC BEADS  
 2 OFF 630024

MAINS TRANSFORMER

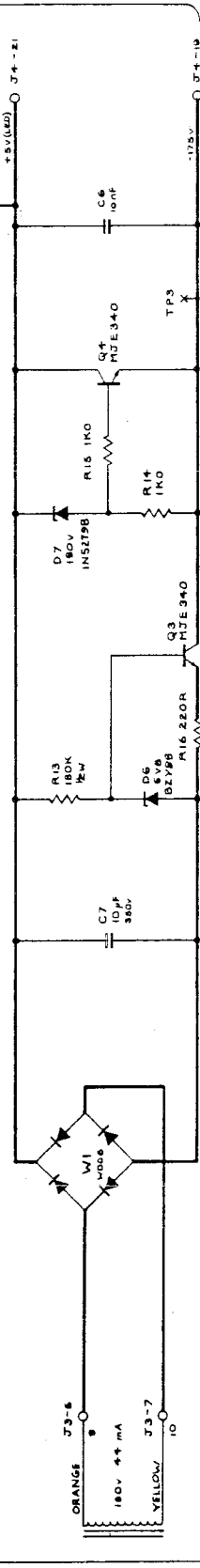
DIGITAL MAIN SUPPLY



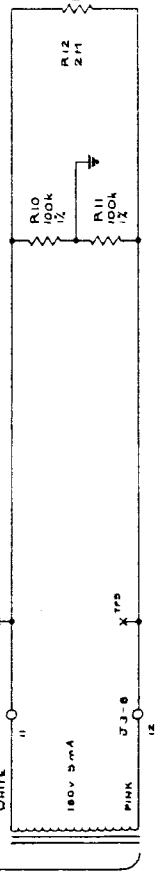
TO J20  
 43053Z (4200)  
 43050+ (4700)  
 (J4-23 ALSO GOES  
 TO REAR PANEL  
 EARTH SCREW)

PRIMARY  
 AND/OR  
 INTERCONNECTION  
 P.C.B.  
 430-38

DISPLAY SUPPLY



COMMON MODE NULL (O.G.)



TO J4-27  
 P5 (1C) P.C.B.  
 430554

# W-GUARD POWER SUPPLY ASSEMBLY

# Datron

INSTRUMENTS  
4708

PCB 410282-2

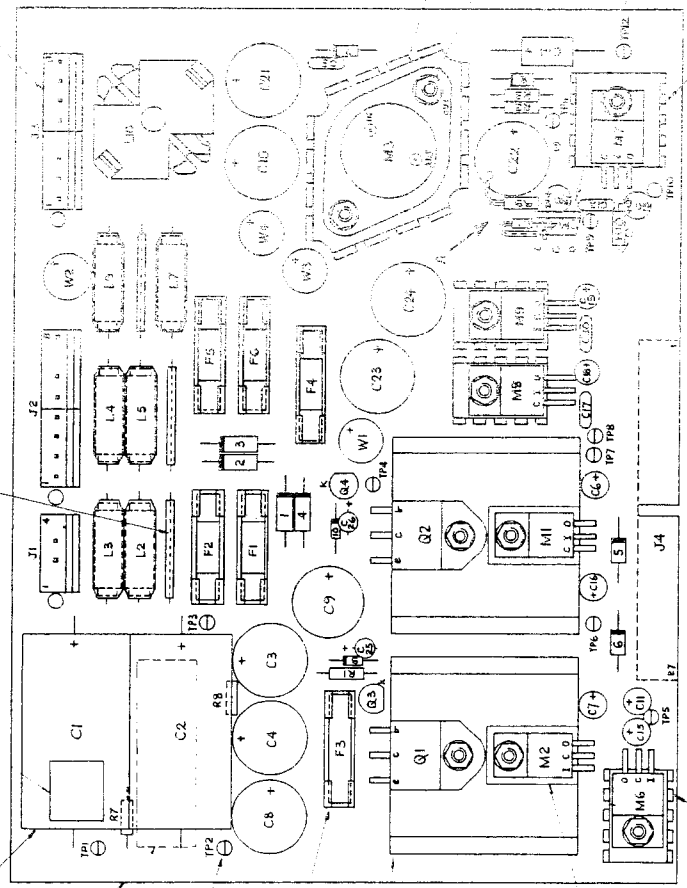
FIX 350 WARNING LABEL TO C1  
REQD(1)

5 LINES: USE SHOWN TYPED COPPER WIRE  
SLEEVED WITH BLACK PPL SLEEVE.

FIX 350 WARNING LABEL TO C1  
REQD(1)

3 LINES: USE SHOWN TYPED COPPER WIRE  
SLEEVED WITH BLACK PPL SLEEVE.

1-WAY PLUG 604042



GLD C1 AND C2 IN SILICONE  
RUBBER (900004)

TEST POINT TERMINAL  
620007 12.8H

6-WF BUZE HOLDER 900026  
2-WF FUSE (4.5, 5.6, 500/28-R/22  
2-WF FUSE (1A, 518) 920016/14  
2-WF FUSE (1A, 518) 920016/14

2-WF HEATSINK (10202) 920105

MOUNT M4 AND M2 ONTO HEATSINKS  
WITH A SIL PAD 618010 2-WF  
SILGURE WITH M3X10mm POSI-PAN 61006  
M3 WASHER 618007 (FIT UNDER SCREW HD)  
M3 FULL HEX NUT 615002  
INSULATING BUSH 618001 2-WF

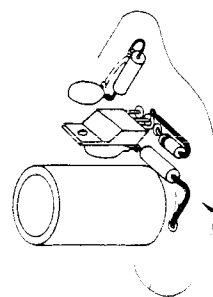
3-WF HEATSINK (10202) 920105

81/02, M3, M6-M8 FININGS  
8-WF M3X10mm POSI-PAN SCREW 61006  
8-WF M3 FULL HEX NUT 615002  
8-WF M3 BRASS PLUG 618004

NOTE:  
USE HEATSINK COMPOUND (800003) BETWEEN  
MATING SURFACES OF Q2, M1-M3, M6-M8  
AND Q1. THE HEATSINK COMPOUND  
0.5mm SHOULD BE APPLIED TO CERTAIN  
FIXINGS.  
GLASS BEAD 630645 FITTED TO EACH LEG OF CIE 6171020  
6-WF

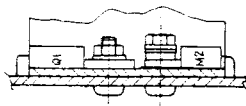
1-WF HEATSINK (703) 920088

1-WF M3 WASHER 618007  
FIT UNDER SCREW HEAD

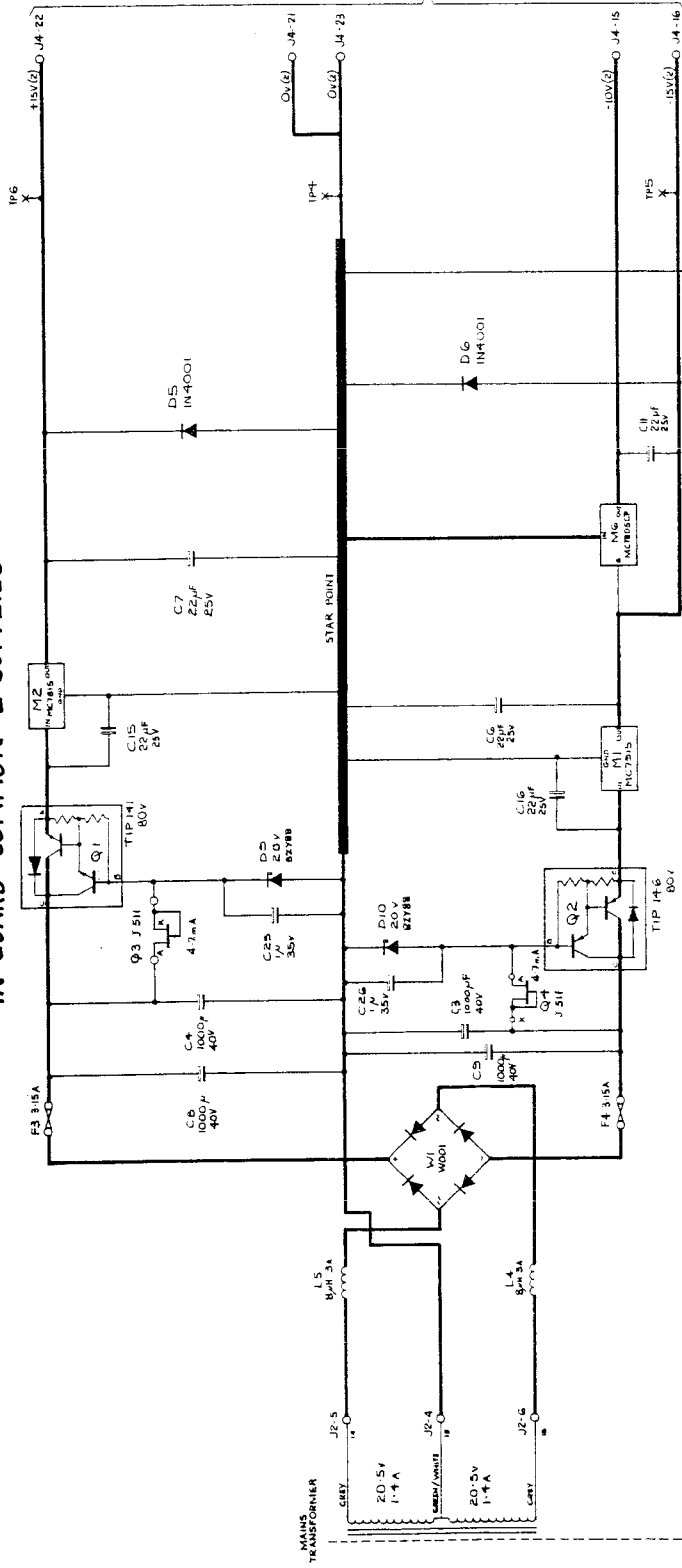


FIT CLIPED COMPONENTS AS SHOWN  
ABOVE. SLEEVE LEADS INDICATED  
WITH 950004

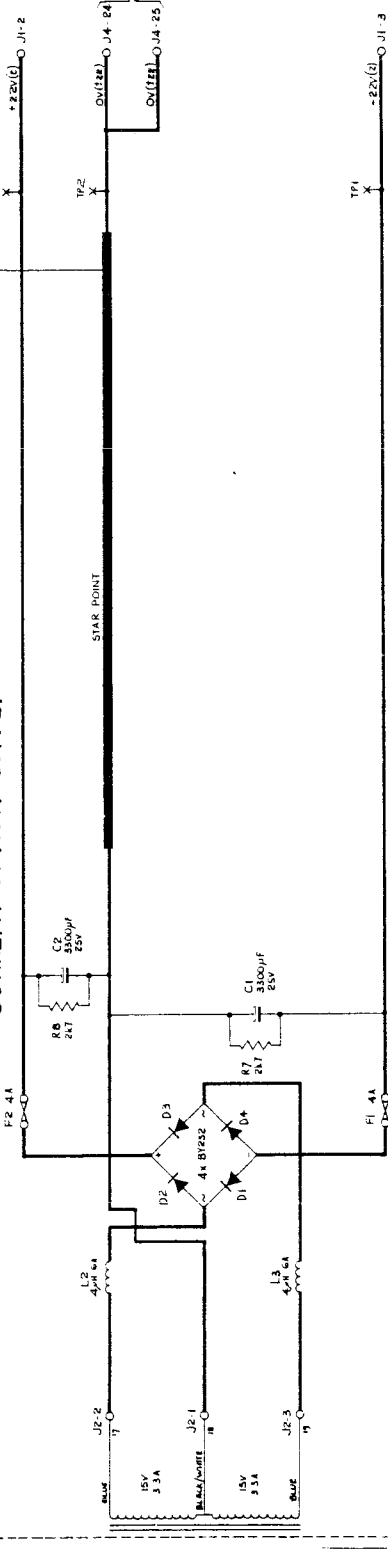
VIEWED FROM DIRECTION OF ARROW A



# IN GUARD COMMON 2 SUPPLIES



# CURRENT OPTION SUPPLY



\* IN GUARD SCREEN  
CONTR. ON SHIT 2

J2-5 20.5V 1.4A  
J2-4 15V 1.4A  
J2-3 15V 1.4A  
J2-2 15V 3.3A  
J2-1 15V 3.3A  
J2-3 15V 3.3A  
J2-2 15V 3.3A

J1-2 +25V (2)  
J1-1 0V (FEET) J4-25

J1-3 -25V (2)

J4-22 +15V (2)  
J4-21 0V (G)  
J4-23 0V (G)

J4-15 -15V (2)  
J4-16 15V (2)

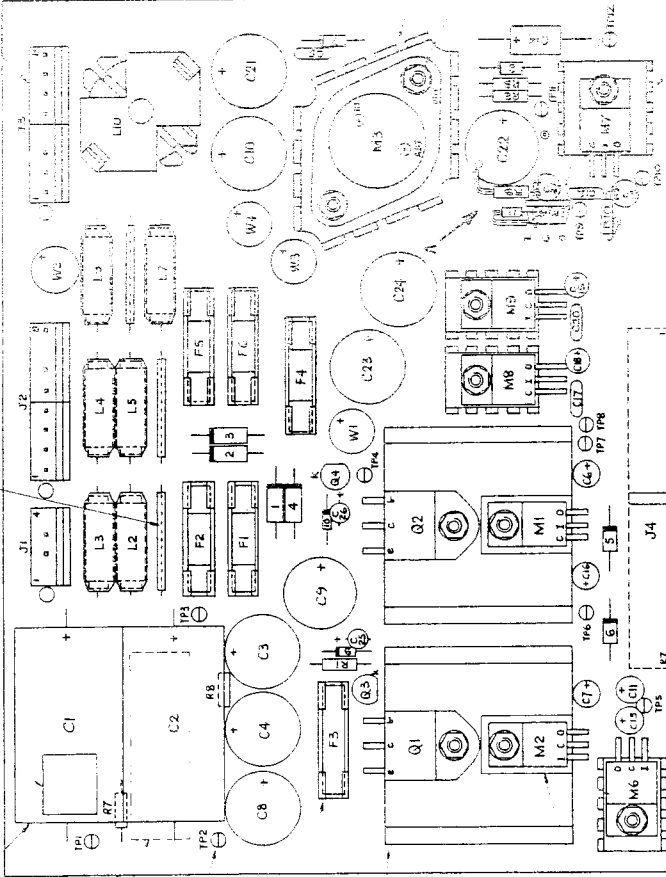
J4-27 0V (G) J4-28

**IN-GUARD POWER SUPPLY ASSEMBLY**  
Common-2 and Current Option Supplies  
Circuit Diagram No. 430554-4.2 Sheet 1

REVISION NO. 001014  
3 REV

3 LINKS, USE 500002Z THINDED CENTER LINK  
SLEEVED WITH SHIM'S P/N 550004

3 FIN 550 WARNING LABEL TO CI  
450102-1



PC B 410282-2

FIN SILVANA MT LABEL  
420098 ON REVERSE SIDE

TEST POINT TERMINAL  
620007 1459

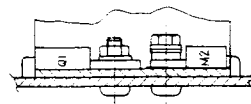
6 OFF FUSE HOLDERS 520126  
2 OFF FUSE (1/4 5/8) 520143 P1 P4  
2 OFF FUSE (1/4 5/8) 520116-15, 16

2 OFF HEATSINK 520142

MOUNT M1 AND M2 ON TO HEATSINKS  
WITH A SIL PAD 618010 2 OFF  
SECURE WITH N3-1000000 NUT/PAN 618006  
N3-1000000 WASHER (UNDER SCREW N3)  
M3 SHAKEPROOF 613003  
INSULATING BUSH 618001 2 OFF

3 OFF HEATSINK (10202) 520105

81, 82, M3, M6-M9 FININGS  
8 OFF M3 VIBRO-MOUNT PAN-SCREW 610006  
8 OFF M3 SHAKEPROOF 613003

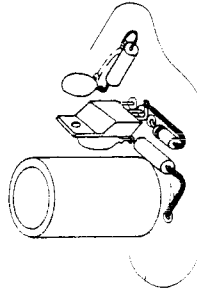


NOTE:  
USE HEATSINK COMPOUND (800005) BETWEEN M9  
AND THEIR RESPECTIVE HEATSINKS. A TORQUE OF  
0.5-5 INCH SHOULD BE APPLIED TO TIGHTEN COMPONENT  
FININGS

SELECT HEAD 650045 FITTED TO EACH LEG OF CIR CIR 1020  
618001

1 OFF HEATSINK (1020) 520088

1 OFF M3 WASHER 618007  
FIT UNDER SCREW HEAD

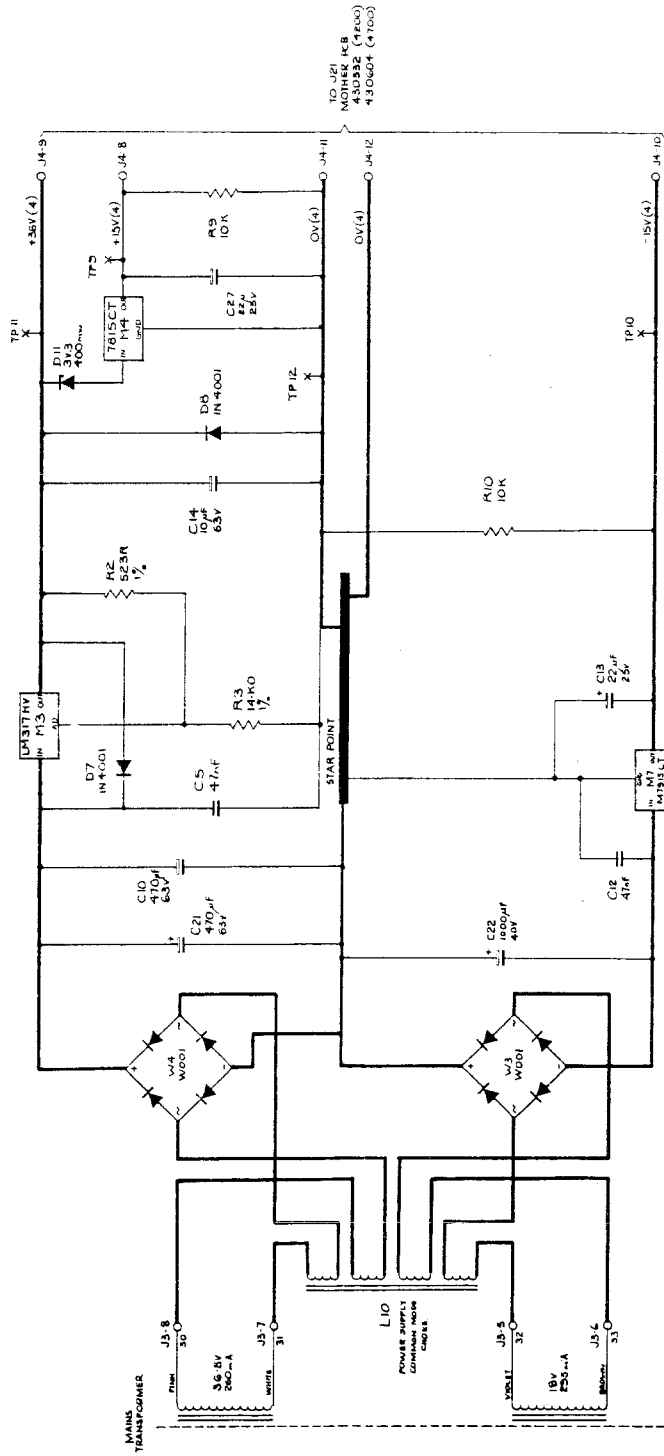


FIT CLUED COMPONENTS AS SHOWN  
ABOVE. SLEEVE LEADS INDICATED  
WITH 550004

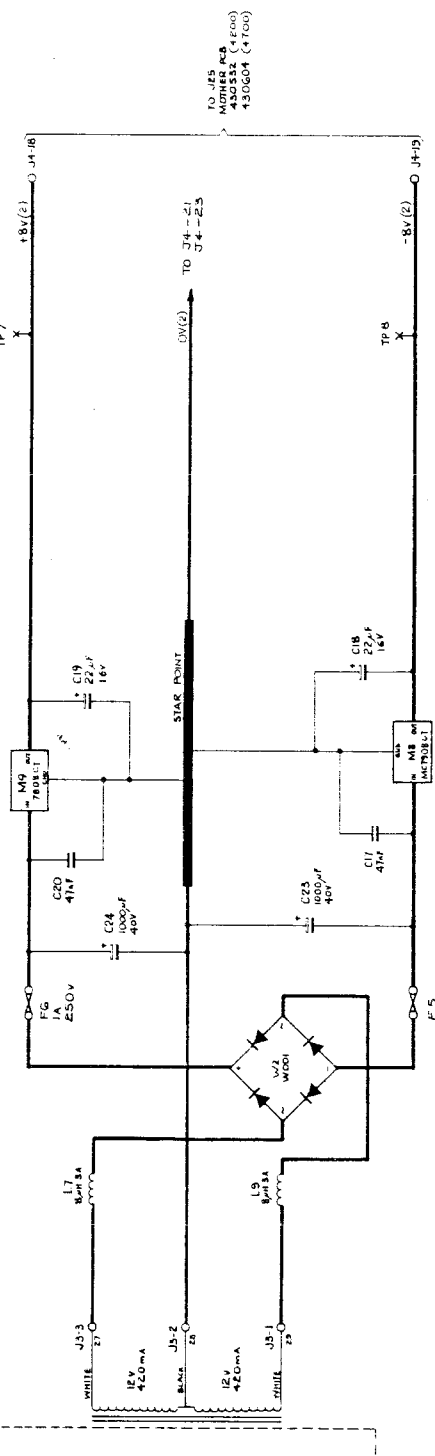
VIEWED FROM DIRECTION OF ARROW A



# REFERENCE DIVIDER COMMON 4 SUPPLIES



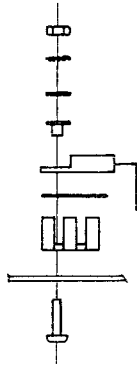
# IN GUARD COMMON 2 ±8V SUPPLY



TO JPS  
MOTHER PCB  
430552 (\*200)  
430554 (\*200)  
430604 (\*100)

TO JPS  
MOTHER PCB  
430415

TO JPS  
MOTHER PCB  
430415



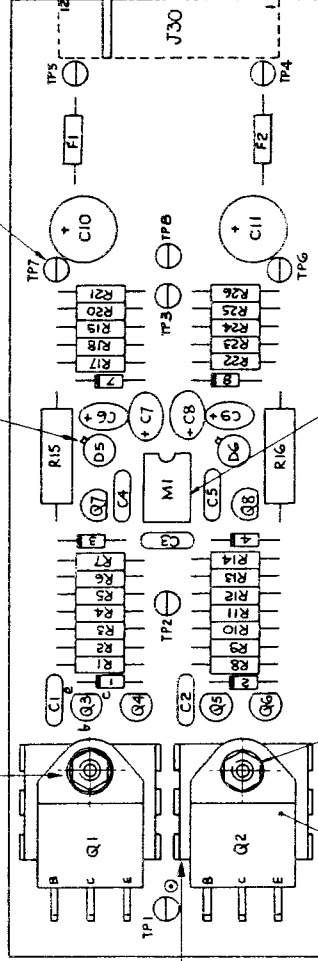
MOUNT Q1 USING THE FOLLOWING :-

- M3 X 6mm POZI-PAN SCREW G1000G 1 off.
- INSULATING PAD G18014 1 off.
- INSULATING BUSH G18001 1 off.
- M3 WASHER STEEL G15007 1 off.
- M3 INT SHAKE PROOF G15005 1 off.
- M3 NUT G15002 1 off.

MOUNT D5 & D6 ON MOUNTING PADS G18004 2 off.

TEST POINT PIN 620007 8 off

PCB. 410254-2



HEATSINK (TOZZO) 920141 2 off.

USE HEATSINK COMPOUND 900003 BETWEEN MOUNTING SURFACES OF HEATSINK AND Q2.

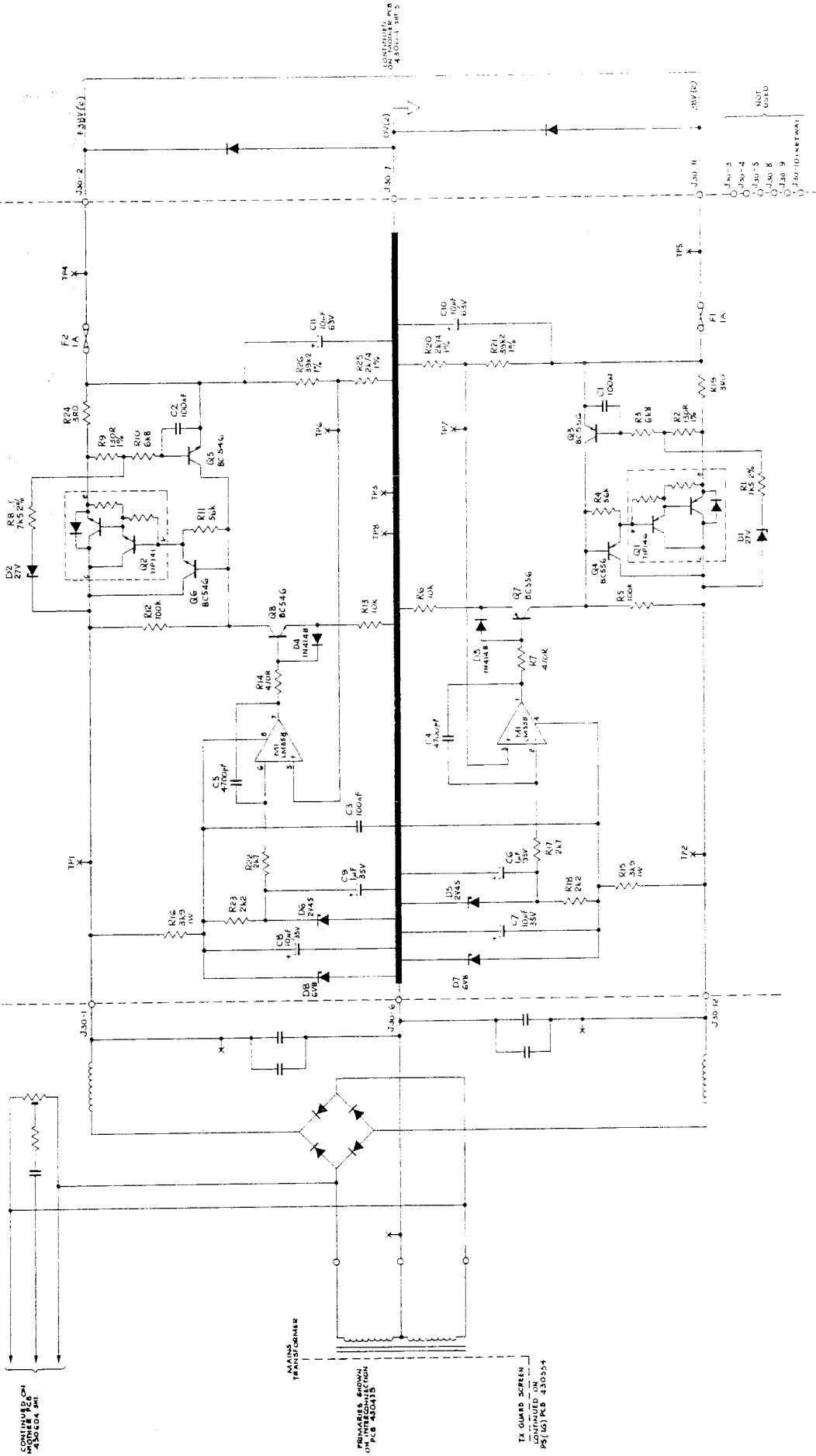
M3 X 6mm POZI-PAN SCREW G11016 1 off (TO SECURE Q2)  
M3 SHAKEPROOF G15003 1 off  
M3 NUT G15002 1 off

MOUNT M1 ON 8WAY DIL SRT 605059/A

MOTHER PCB ASSY  
400604

PS (38V) PCB ASSY  
400653

MOTHER PCB ASSY  
400604



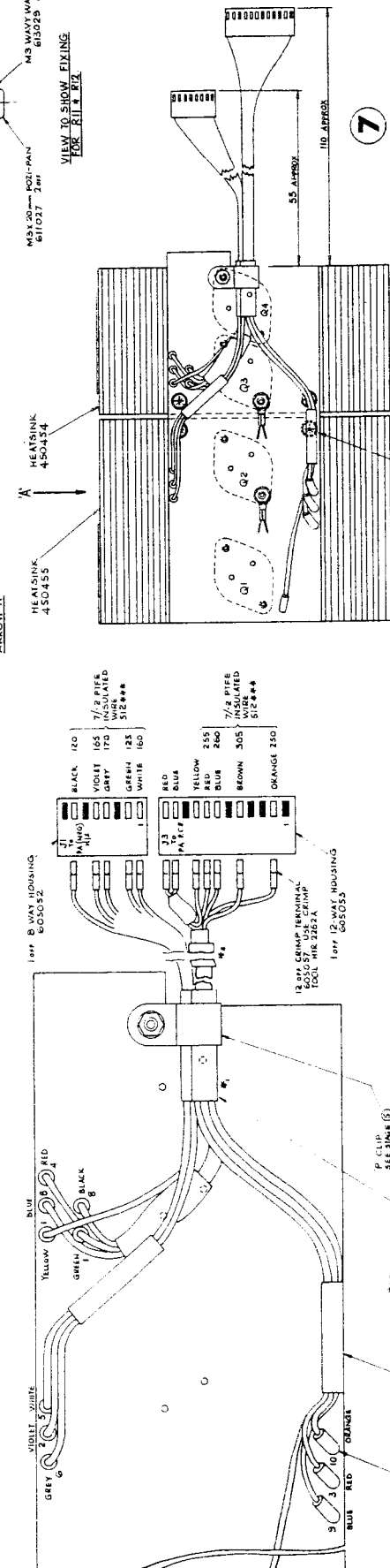
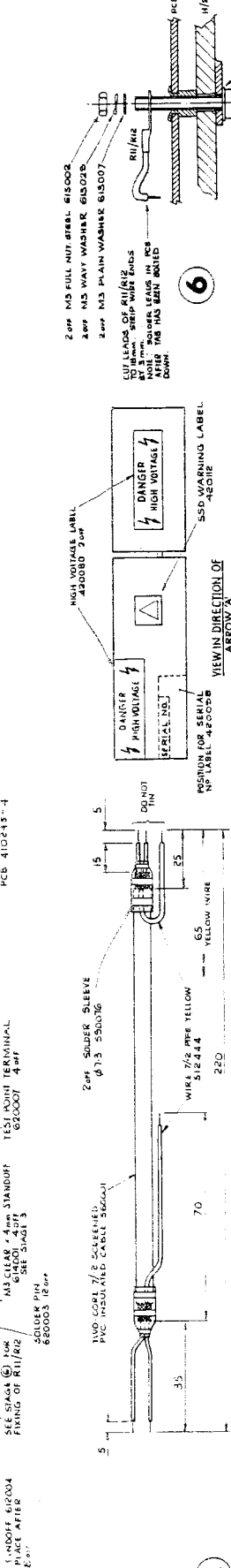
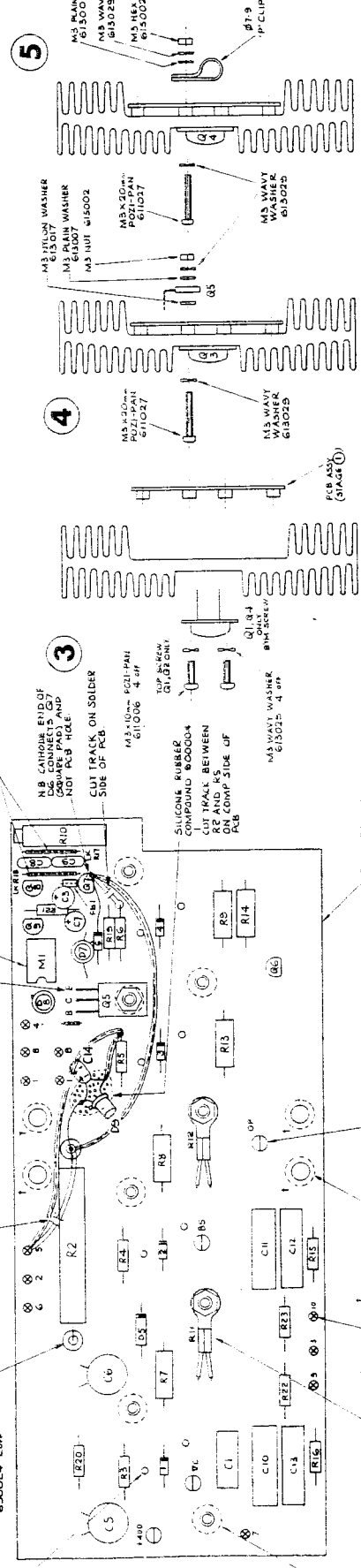
±38V POWER SUPPLY ASSEMBLY  
±38V Power Supply with Mother Assembly Components

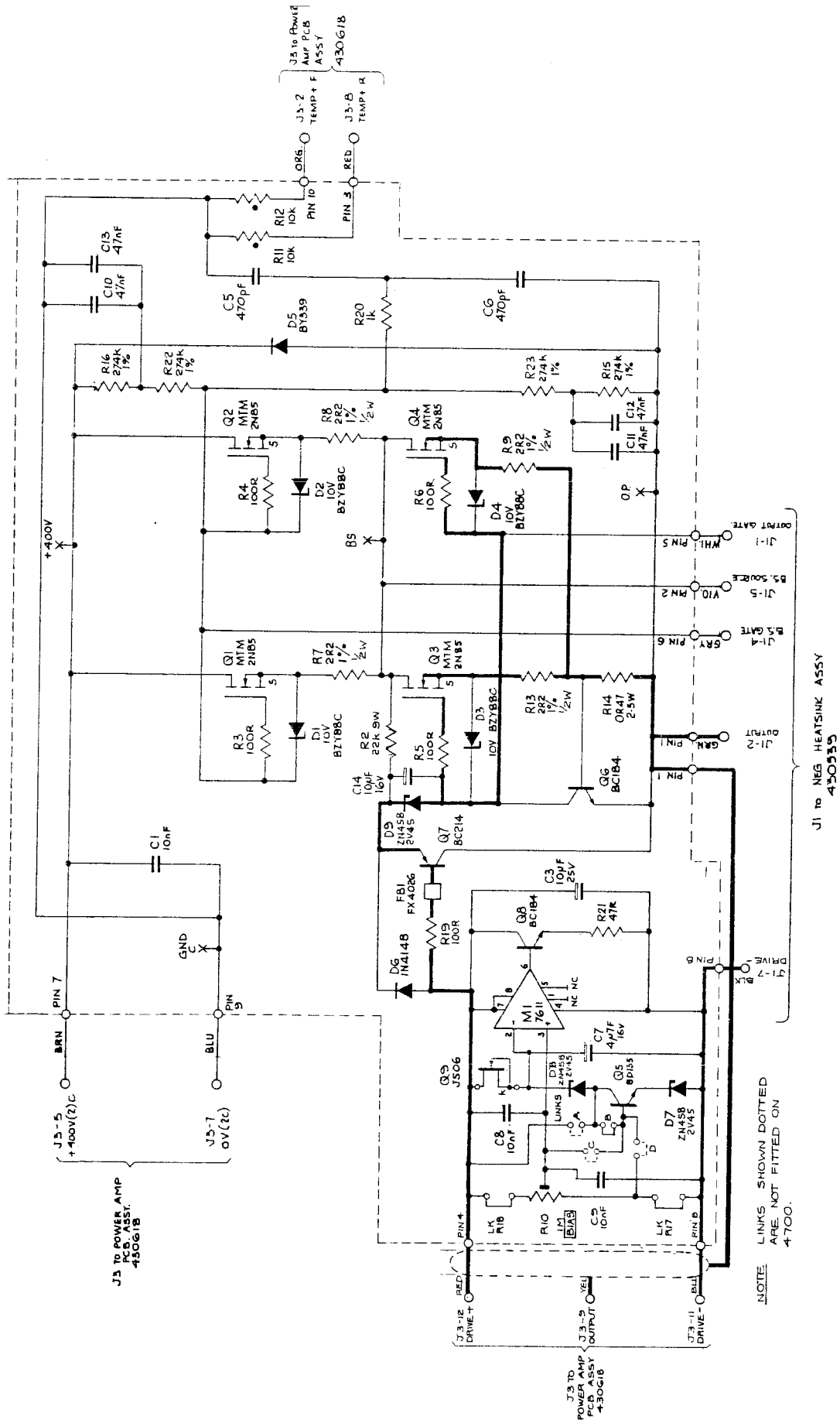
Circuit Diagram No. 430653-1.0 Sheet 1

**POSITIVE HEATSINK ASSEMBLY**

- ASSEMBLY NOTES:
- ASSEMBLY FIG. 1 TO STAGE 5 EXCEPT SCREW FINING FOR Q5 (SEE STAGE 6)
  - COMPLETE PCB ASSY BY FITTING WIRING LOOKS DO NOT FIT P CLIP (SEE STAGE 7)
  - ASSEMBLE PCB ASSY TO HEATSINKS, FITTED BY 4 MIDSIZE SCREWS (SEE STAGE 7)
  - MOUNT Q1-Q4 TO STAGE 3 ASSEMBLY IN THE POSITION SHOWN (STAGE 7); APPLY HEADSINK COMPOUND 800003 BETWEEN MATING SURFACES. USE A TORQUE SCREWDRIVER TO TIGHTEN ALL TRANSISTOR FIRING SCREWS TO TORQUE OF 0.8 MM.
  - SECURE WIRING WITH P CLIP (STAGE 6)

MAIN SINKS WITH PINS, RESIS, ETC WIRE 840002 (45)





J3 TO POWER AMP PCB ASSY 430618

J3 TO POWER AMP PCB ASSY 430618

NOTE: LINKS SHOWN DOTTED ARE NOT FITTED ON 4-700.

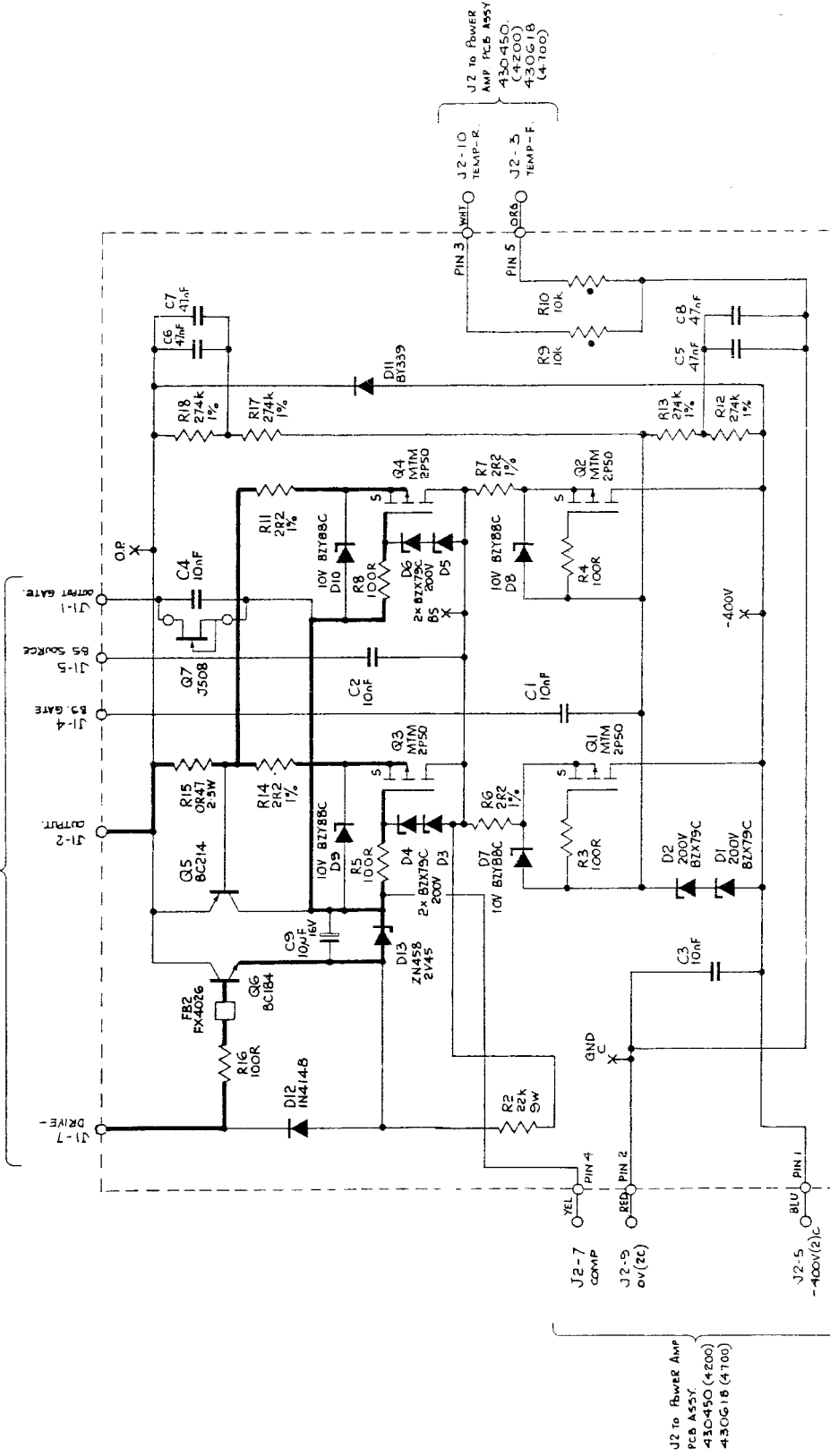
J1 TO NEG HEATSINK ASSY 430635

**POSITIVE HEATSINK ASSEMBLY**  
Output Power Amplifier (Positive Half)

Circuit Diagram No. 430637-1.2 Sheet 1



J1 To Pos. HEATSINK ASSY 430637 (4200/4700)



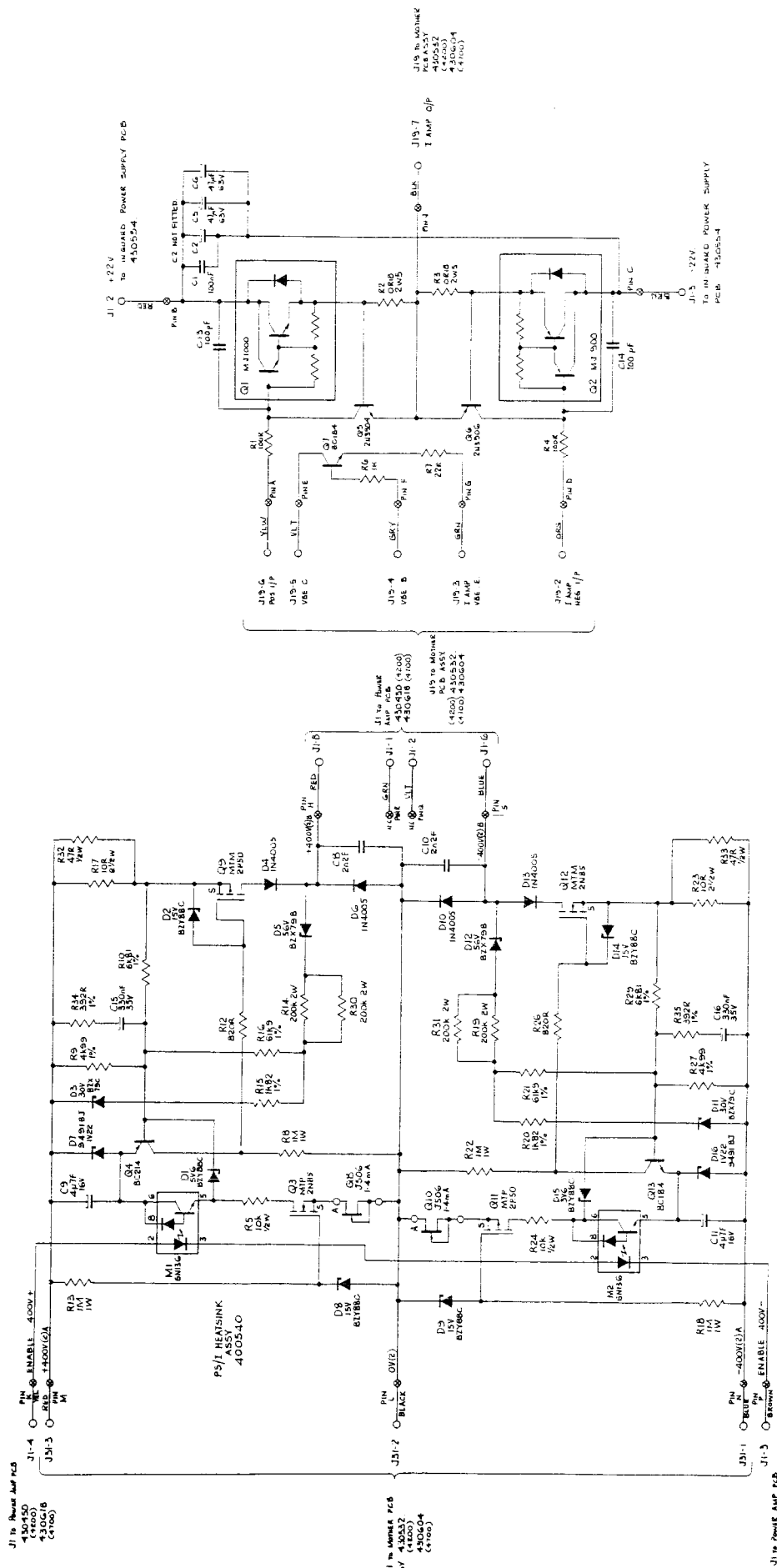
J2 To Power Amp PCB Assy  
430450 (4200)  
430G18 (4700)

J2 To Power Amp PCB Assy  
430450 (4200)  
430G18 (4700)

**NEGATIVE HEATSINK ASSEMBLY**  
Output Power Amplifier (Negative Half)  
Circuit Diagram No. 430539-7.5 Sheet 1







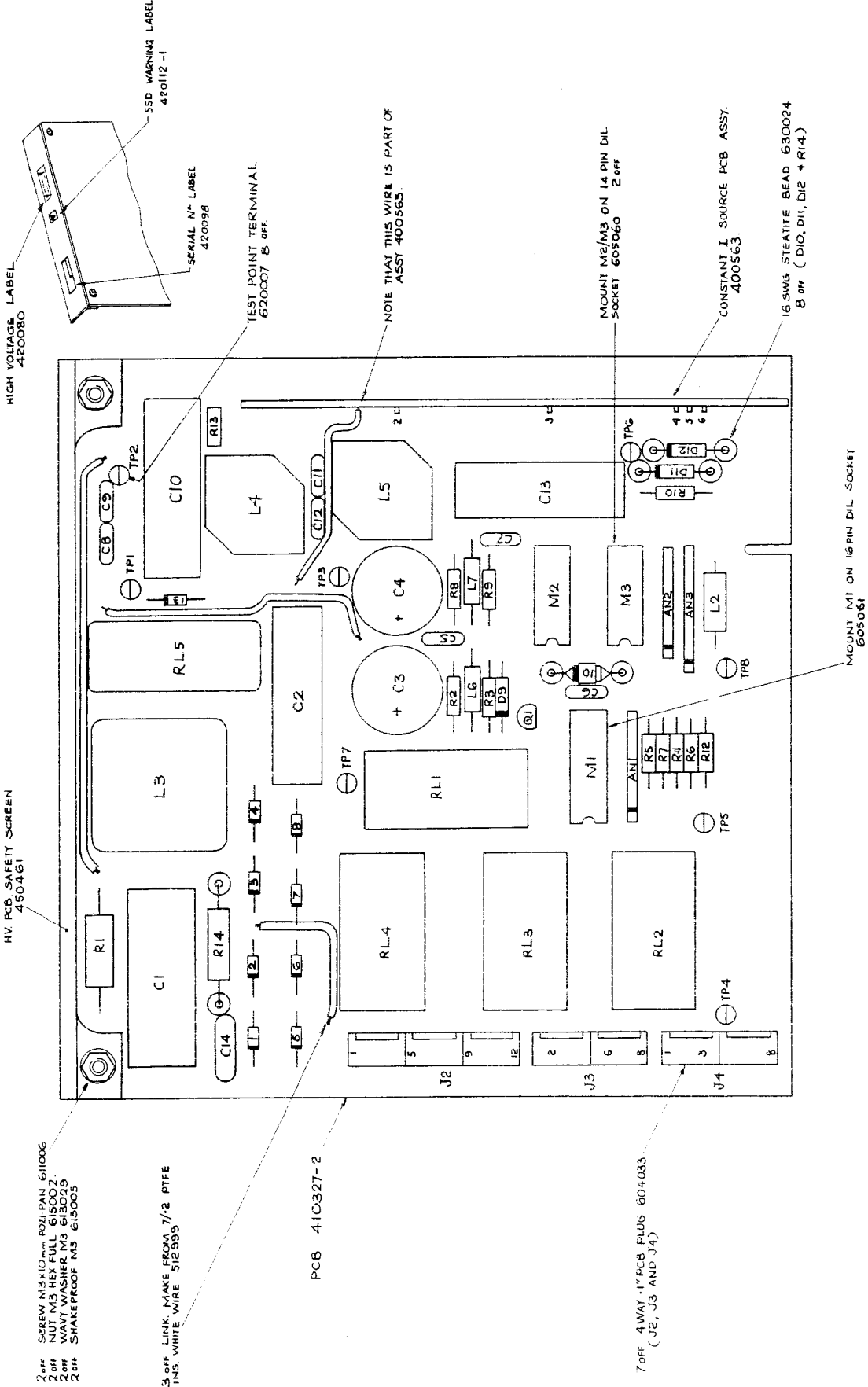
J1 to HEATSINK PCB  
 430550  
 430552  
 430554  
 430618  
 430619  
 430620

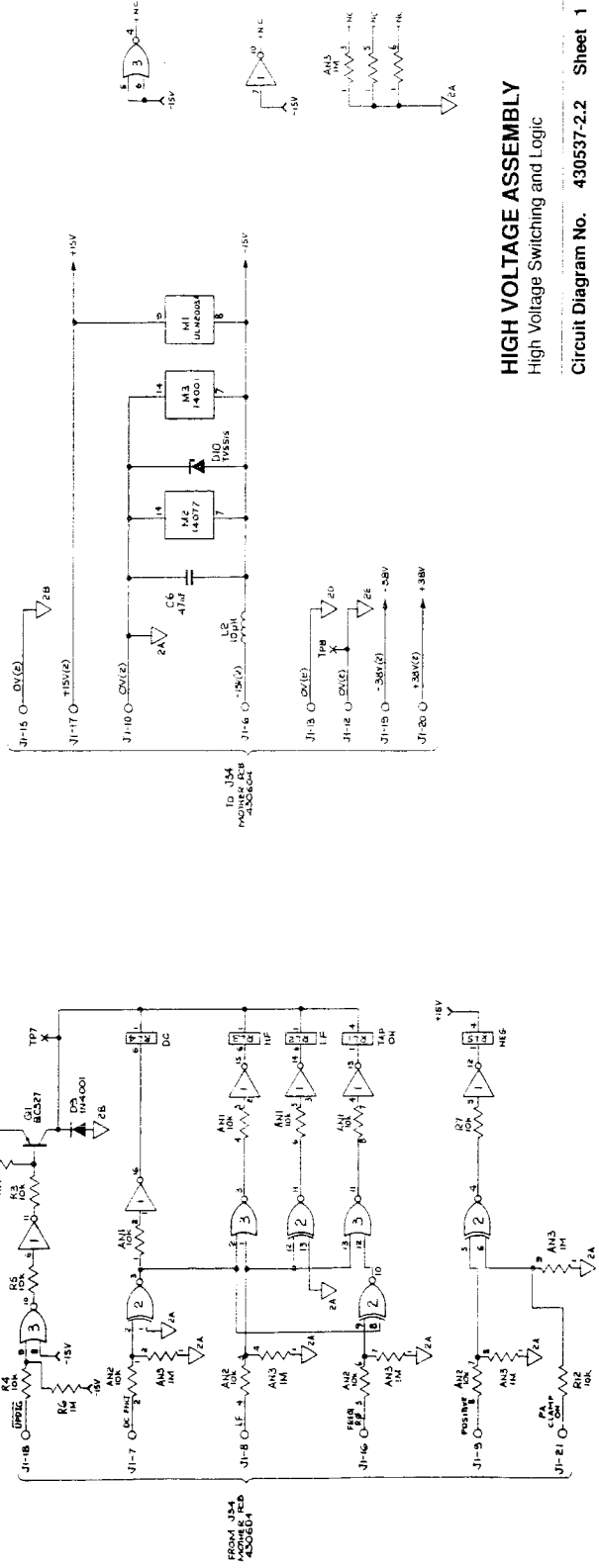
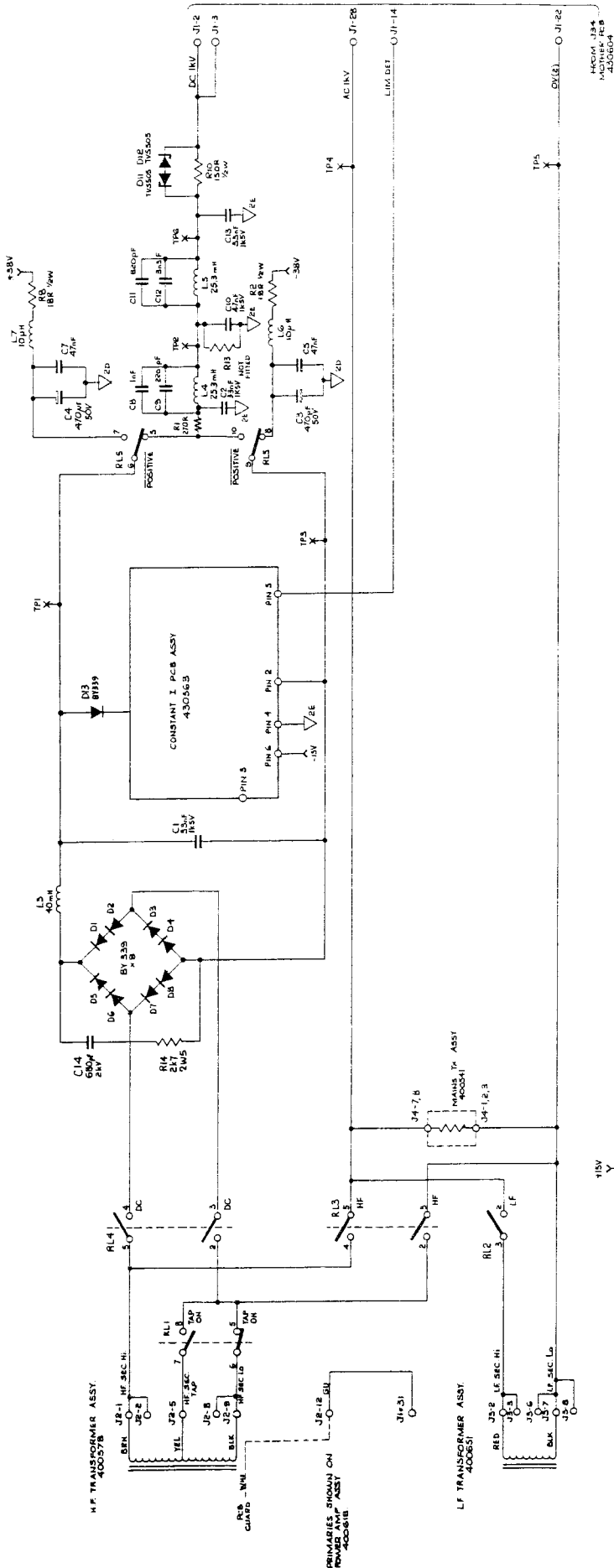
J2 to HEATSINK PCB  
 430550  
 430552  
 430554  
 430618  
 430619  
 430620

J3 to HEATSINK PCB  
 430550  
 430552  
 430554  
 430618  
 430619  
 430620

**HIGH VOLTAGE ASSEMBLY**

- 1. R11 AND R13 NOT FITTED TO PCB
- 2. GLASS BEAD 630043 FITTED TO EACH LEG OF THE FOLLOWING COMPONENTS: C5-C7





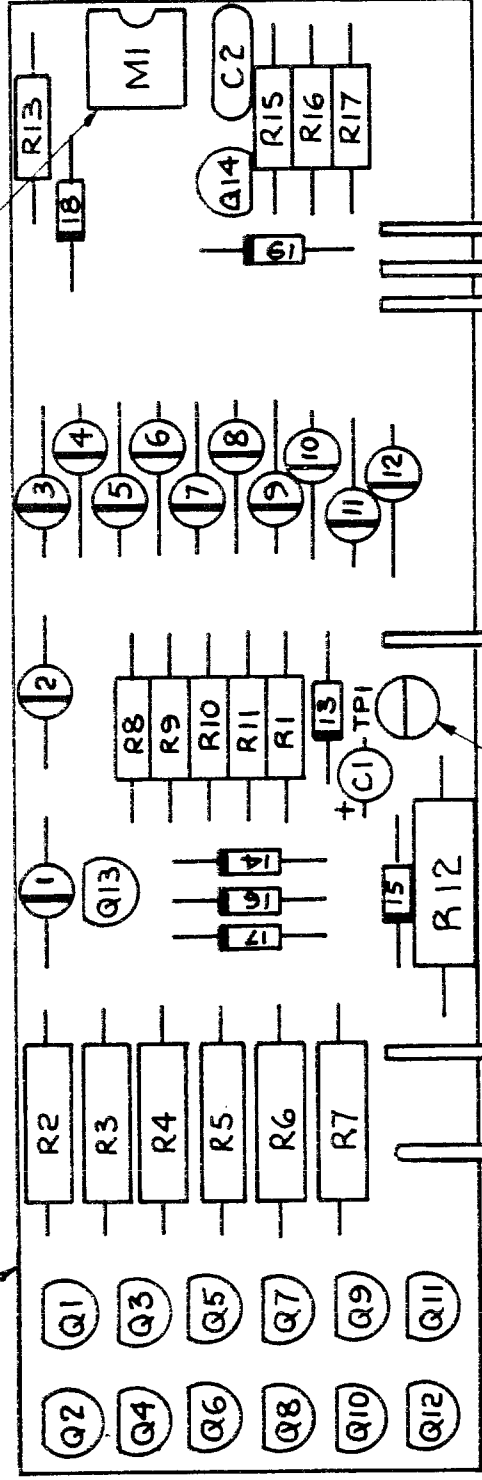
**HIGH VOLTAGE ASSEMBLY**  
High Voltage Switching and Logic

Circuit Diagram No. 430537-2.2 Sheet 1

CONSTANT CURRENT SOURCE ASSEMBLY

MOUNT MI ON 6-WAY DIL  
SOCKET 605066

PCB 410285-4

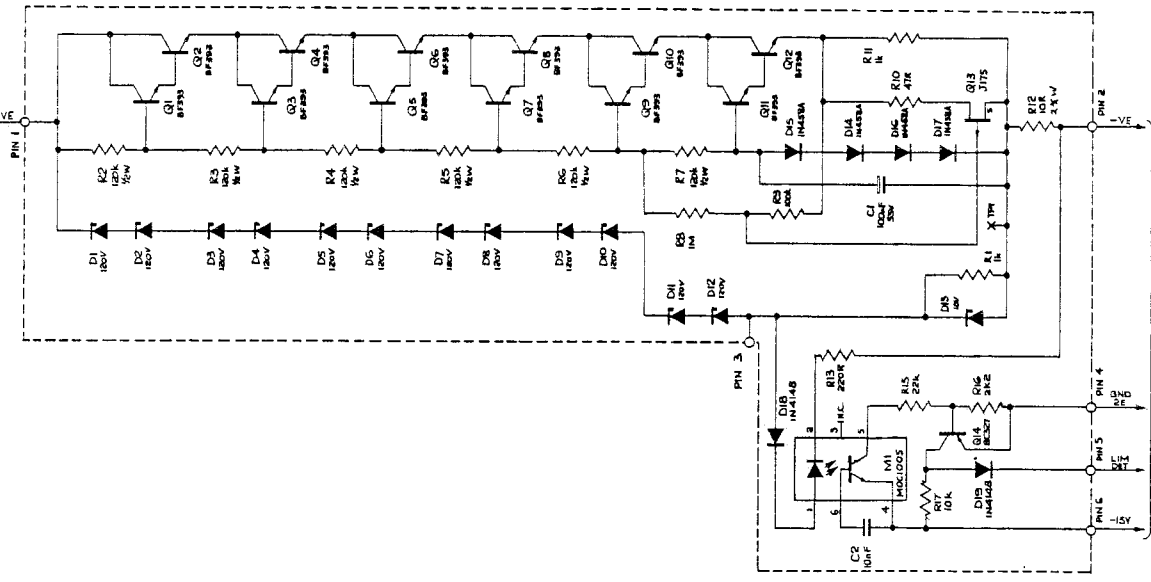


7/0.2 WHITE PTFE INSULATED  
WIRE 512999.  
50mm LONG STRIP  
5mm EACH END  $\phi$   
SOLDER ON END TO PCB

TEST POINT TERMINAL  
620007

11-WAY PCB PLUG  
604003. USE ONLY  
5 OF THE 11 PINS HERE.

TO H.V. PCB ASSY  
430537



**CONSTANT CURRENT SOURCE ASSEMBLY**  
High Voltage Rectifier Bleed Chain

Circuit Diagram No. 430563-3.0 Sheet 1



**For mains (line) transformer circuits refer to the following pages:**

- 11.10-1 Main Digital Supply, Display Supply and Common Mode Null
- 11.11-1 Common-2 Supplies and Current Option Supply
- 11.11-2 Reference Divider Common-4 and 8V Common-2 Supplies
- 11.16-5 400V Power Supply, 38V Power Supply and Common Mode Null
- 11.17-2 Interconnections, Power Input Module and Mains Transformer Primary

L.F. TRANSFORMER ASSEMBLY

(2)

L.F. TRANSFORMER  
5000025

2.0mm Ø C.P. HEATSHRINK SCREEN

WIRE TERMINAL

WIRE TERMINAL

1.0mm Ø C.P. HEATSHRINK SCREEN

1.0mm Ø C.P. HEATSHRINK SCREEN

1.0mm Ø C.P. HEATSHRINK SCREEN

(4)

1.0mm Ø C.P. HEATSHRINK SCREEN

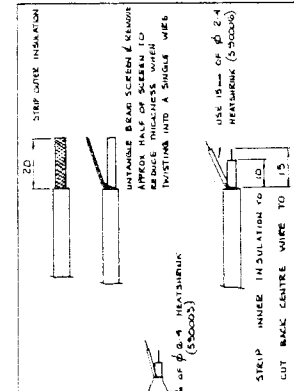
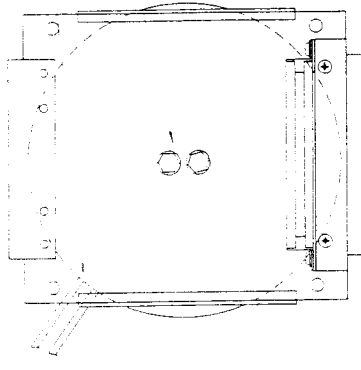
3.0mm Ø C.P. HEATSHRINK SCREEN

1.0mm Ø C.P. HEATSHRINK SCREEN

3.0mm Ø C.P. HEATSHRINK SCREEN

ASSEMBLE TRANSFORMER TO PLATE WITH WIRES IN POSITION SHOWN.

- 2.0mm Ø C.P. HEATSHRINK SCREEN
- 2.0mm Ø C.P. HEATSHRINK SCREEN
- USE LOCKING COMPOUND 500005
- DRINKING TIGHT SCREWS.



1.0mm Ø C.P. HEATSHRINK SCREEN

1.0mm Ø C.P. HEATSHRINK SCREEN

1.0mm Ø C.P. HEATSHRINK SCREEN

1.0mm Ø C.P. HEATSHRINK SCREEN

1.0mm Ø C.P. HEATSHRINK SCREEN

(3)

BEFORE ATTACHING WIRE STRIP TO WIRE WITH TYPICAL WIRE 540102

USE 1.0mm Ø 2.4 HEATSHRINK SCREEN TO SUPPORT THIS JOINT

REMOVE SCREEN

1.0mm Ø C.P. HEATSHRINK SCREEN

1.0mm Ø C.P. HEATSHRINK SCREEN

1.0mm Ø C.P. HEATSHRINK SCREEN

1.0mm Ø C.P. HEATSHRINK SCREEN

1.0mm Ø C.P. HEATSHRINK SCREEN

1.0mm Ø C.P. HEATSHRINK SCREEN

1.0mm Ø C.P. HEATSHRINK SCREEN

1.0mm Ø C.P. HEATSHRINK SCREEN

1.0mm Ø C.P. HEATSHRINK SCREEN

1.0mm Ø C.P. HEATSHRINK SCREEN

1.0mm Ø C.P. HEATSHRINK SCREEN

1.0mm Ø C.P. HEATSHRINK SCREEN

1.0mm Ø C.P. HEATSHRINK SCREEN

1.0mm Ø C.P. HEATSHRINK SCREEN

1.0mm Ø C.P. HEATSHRINK SCREEN

1.0mm Ø C.P. HEATSHRINK SCREEN

1.0mm Ø C.P. HEATSHRINK SCREEN

1.0mm Ø C.P. HEATSHRINK SCREEN

REMOVE SCREEN

REMOVE SCREEN

REMOVE SCREEN

REMOVE SCREEN

REMOVE SCREEN





CABLE TIE 590063 TO BE WRAPPED AROUND THE TRANSFORMER BODY HOLDING ALL THE WIRES AS A STRAIN RELIEF. ENSURE THIS SLEEVE IS UNDER THE CABLE TIE.

2 OFF CERAMIC BEADS G30024

RED WIRE 7/0-2 PTFE INSULATED 512222

BLUE WIRE 7/0-2 PTFE INSULATED 512666

1 OFF 4 WAY SOCKET G09091

5 OFF GOLD CLIPS G09097

YELLOW WIRE 7/0-2 PTFE INSULATED 512444

250 mm

BLUE

RED

R1

WHITE 7/0-2 PTFE INSULATED 512333, 210 mm

350 mm

RED - 1  
BLACK - 2  
YELLOW - 3  
BROWN - 4

1 OFF 12 WAY SOCKET G09093

WHITE  
BLACK  
YELLOW  
BROWN

2 OFF SLEEVES MARKED 'A' 590001  
3 OFF SLEEVES MARKED 'B' 590005

260 mm

3.10 mm

M4 FULL NUT G15011

M4 SHAKEPROOF WASHER G15021

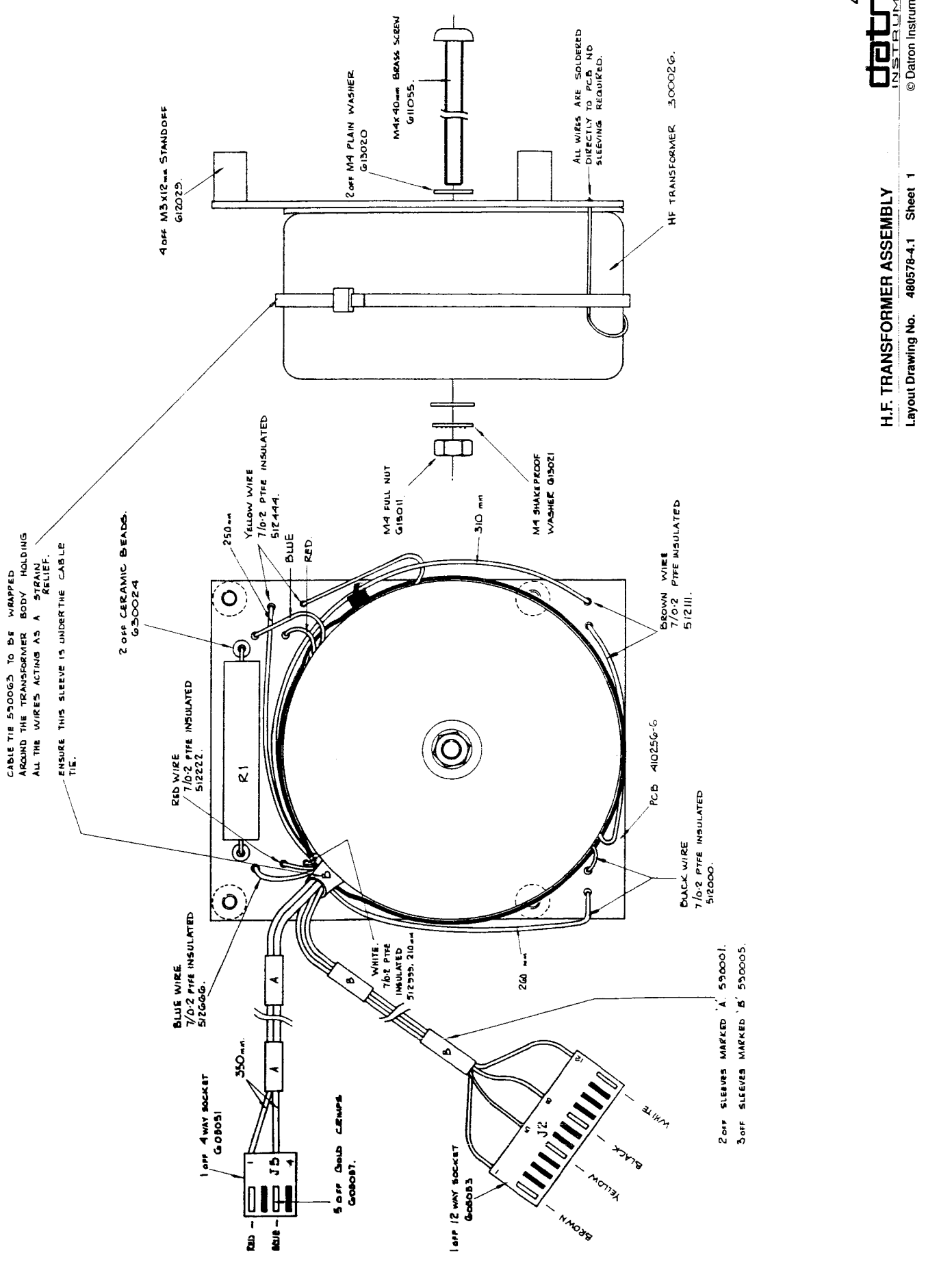
M4K 40-00 BRASS SCREEN G11055

2 OFF M4 PLAIN WASHER G13020

4 OFF M3X12-00 STANDOFF G12025

HF TRANSFORMER 300026

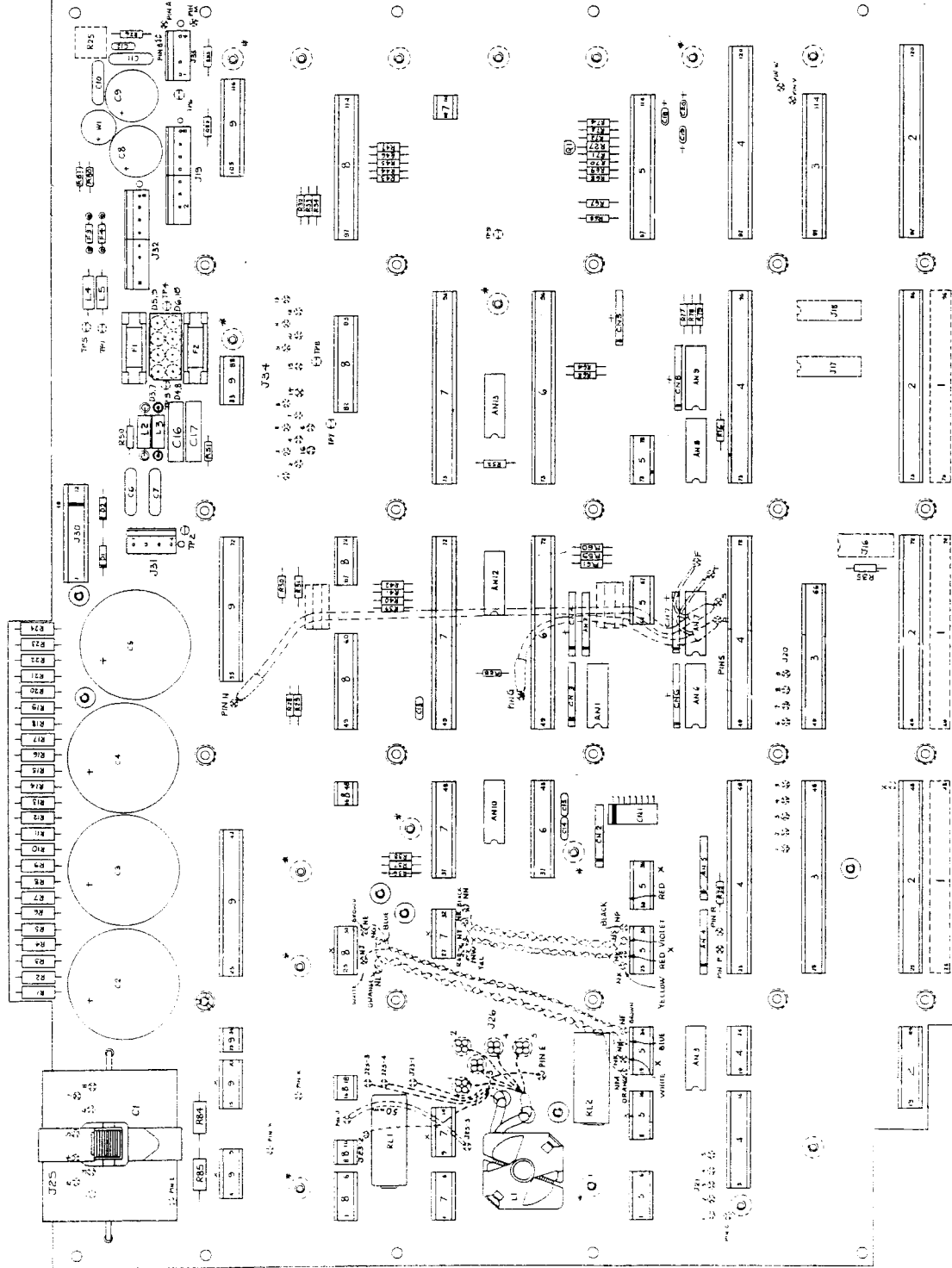
ALL WIRES ARE SOLDERED DIRECTLY TO PCB. NO SLEEVING REQUIRED.



H.F. TRANSFORMER ASSEMBLY

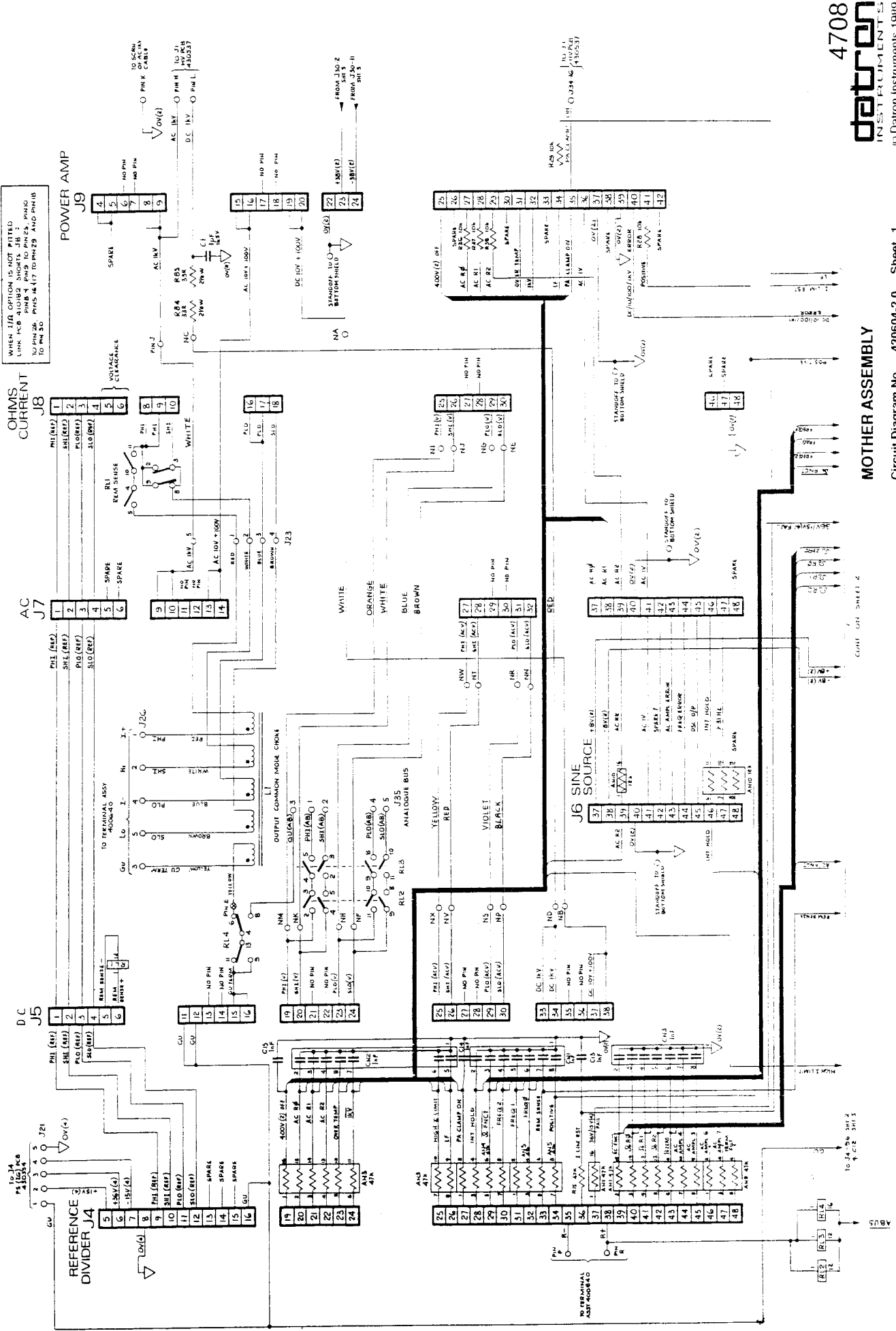
Layout Drawing No. 480578-4.1 Sheet 1

MOTHER ASSEMBLY



Connectors and Pin Numbers	Page
J1	25-96
J2	13-120
J3	25-66
J4	5-16
J5	1-6
J6	37-48
J7	1-6
J8	1-6
J9	4-9
J16/J17/J18	1-16
J19	1-8
J20	1-9
J21/J23/J26	1-5
J25	1-8
J30	1-2
J31/33	1-4
J32	1-8
J34	1-2
Plugs	A; B; C; M D; E; G; N; S; T E; H; J; K; L; P; R V; W; X

MOTHER ASSEMBLY  
EDGE CONNECTOR PIN INDEX



WHEN IIA OPTION IS NOT FITTED  
LINK PCB 410R2 SHORTS J8 1 OHMS  
TO PIN 26 PINS 14-17 TO PINS 25 AND PINS  
TO PIN 30

OHMS  
CURRENT  
J8

AC  
J7

D.C.  
J5

REFERENCE  
DIVIDER  
J4

POWER AMP  
J9

OHMS  
CURRENT  
J8

AC  
J7

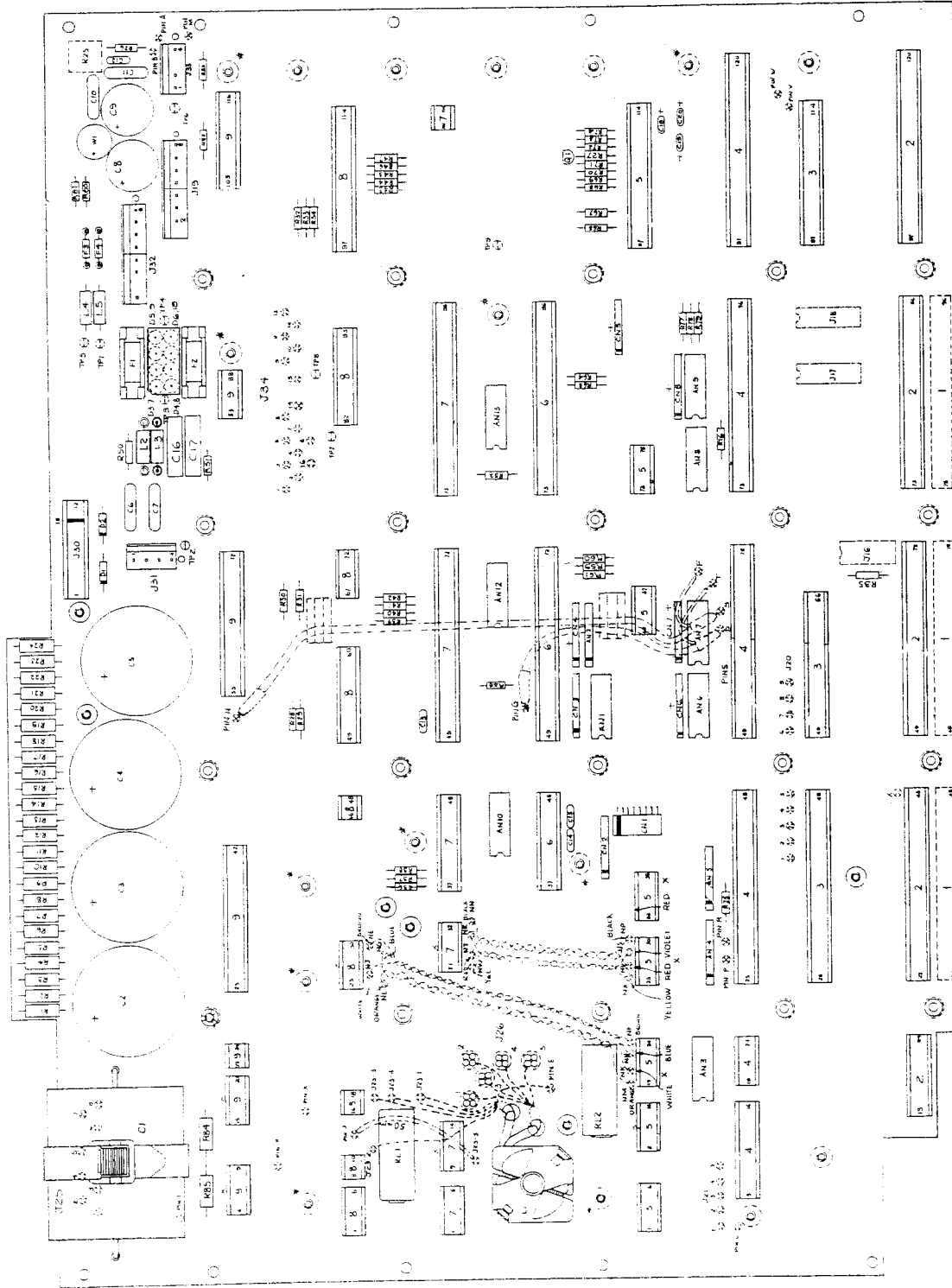
D.C.  
J5

REFERENCE  
DIVIDER  
J4

MOTHER ASSEMBLY

**datron**  
INSTRUMENTS

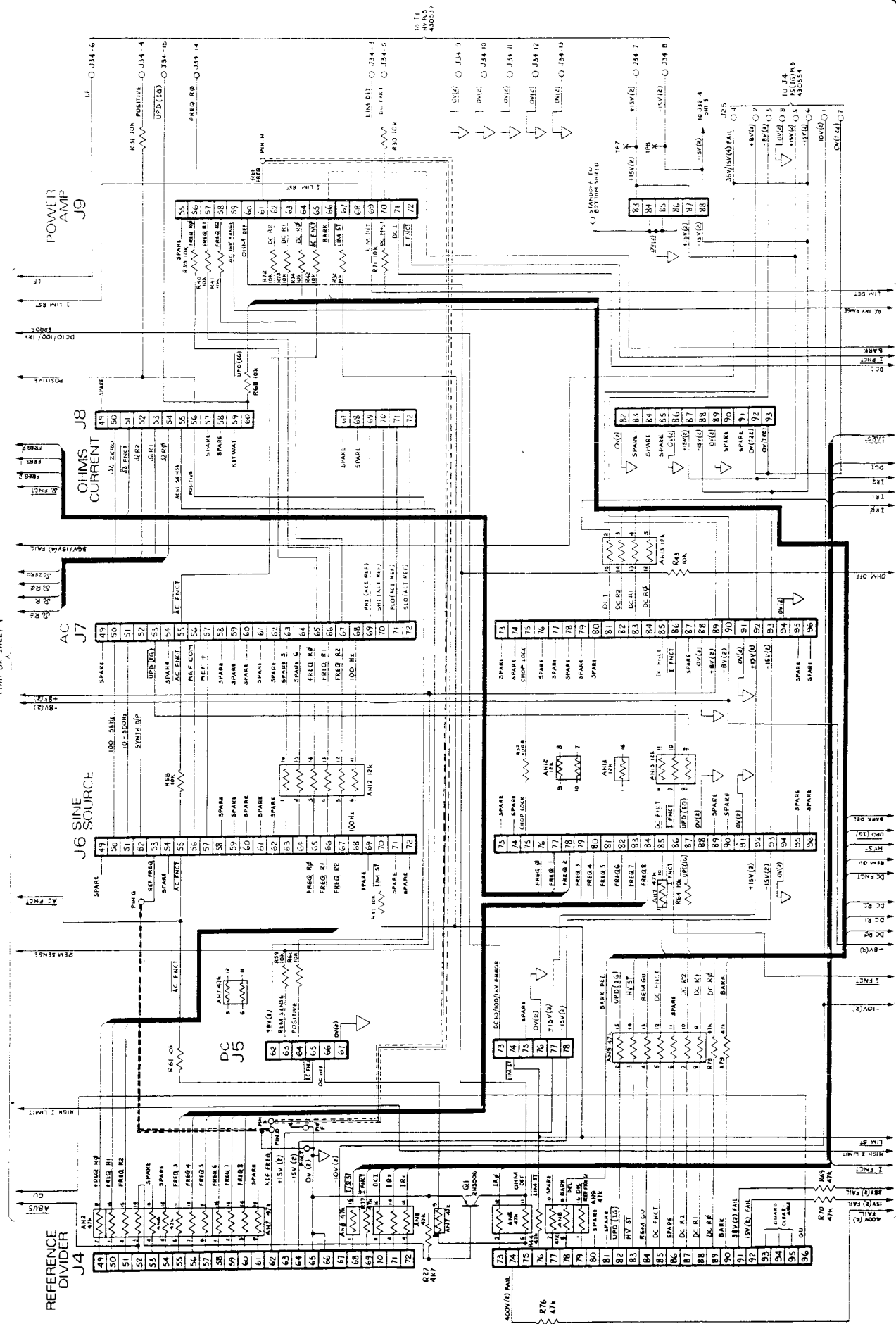
4708



Connectors and Pin Numbers Page

J1	25-96	11-16-4
J2	13-120	11-16-4
J3	25-66	11-16-4
J4	5-16 49-96 97-120	11-16-1 11-16-2 11-16-4
J5	1-6 19-30 62-67 97-114	11-16-1 11-16-1 11-16-2 11-16-3
J6	37-48 49-96	11-16-1 11-16-2
J7	1-6 27-32 49-96 112-114	11-16-1 11-16-1 11-16-2 11-16-3
J8	1-6 16-18 46-48 49-60 82-93 97-114	11-16-1 11-16-1 11-16-1 11-16-2 11-16-2 11-16-3
J9	4-9 22-42 55-72 105-116	11-16-1 11-16-1 11-16-2 11-16-3
J16/J17/J18	1-16	11-16-4
J19	1-8	11-16-3
J20	1-9	11-16-4
J21/J23/J26	1-5	11-16-1
J25	1-8	11-16-2
J30	1-2 11-12	11-16-5 11-16-5
J31/J33	1-4	11-16-5
J32	1-8	11-16-5
J34	1-2 3-15 16	11-16-5 11-16-2 11-16-1
Pins:	A: B; C; M D; F; G; N; S; T E; H; J; K; L; P; R V; W; X	11-16-5 11-16-2 11-16-1 11-16-4

MOTHER ASSEMBLY  
EDGE CONNECTOR PIN INDEX



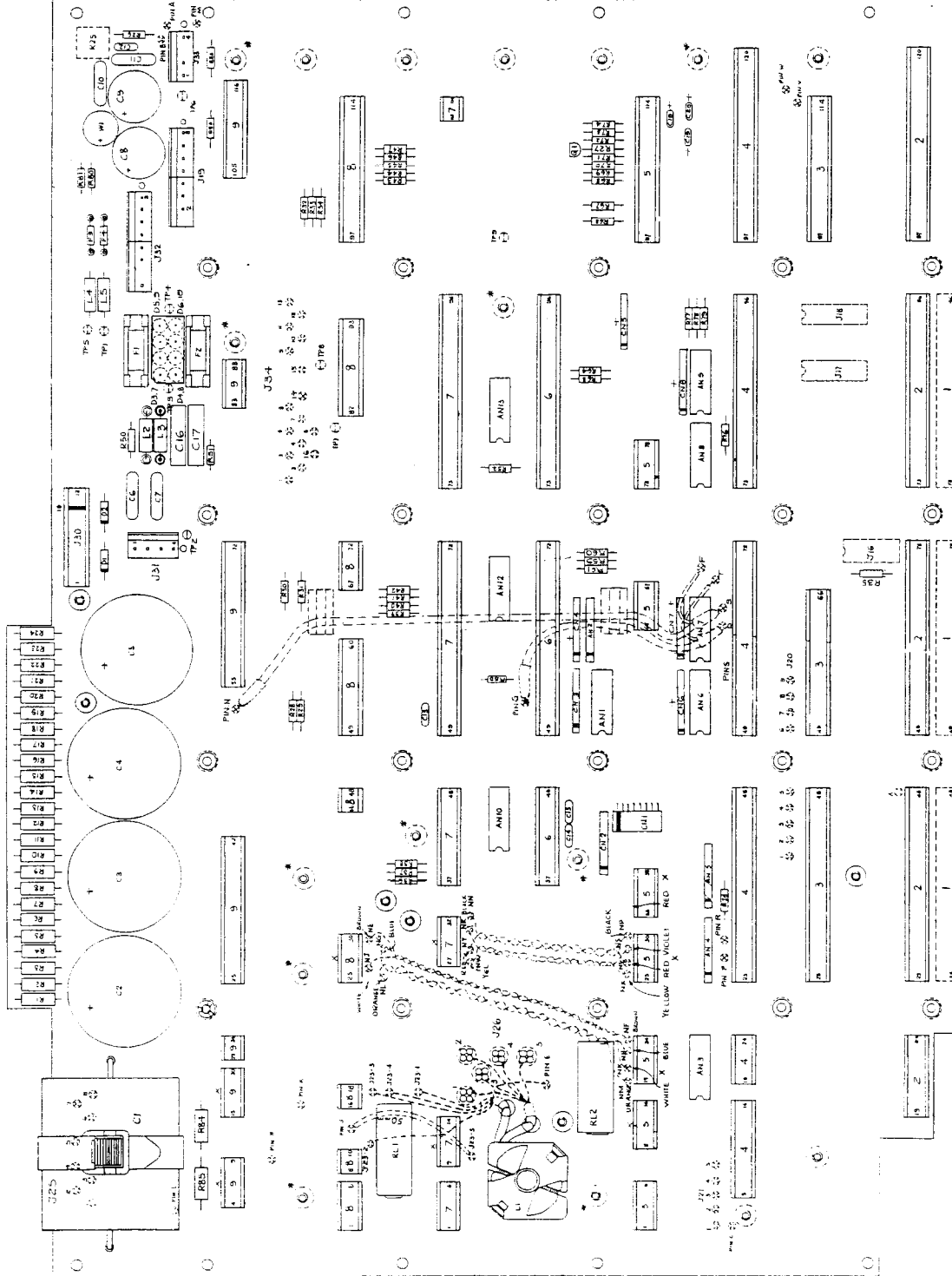
CONT ON SHEET 1

CONT ON SHEET 3

**MOTHER ASSEMBLY**

Circuit Diagram No. 430604-2.0 Sheet 2

**MOTHER ASSEMBLY**

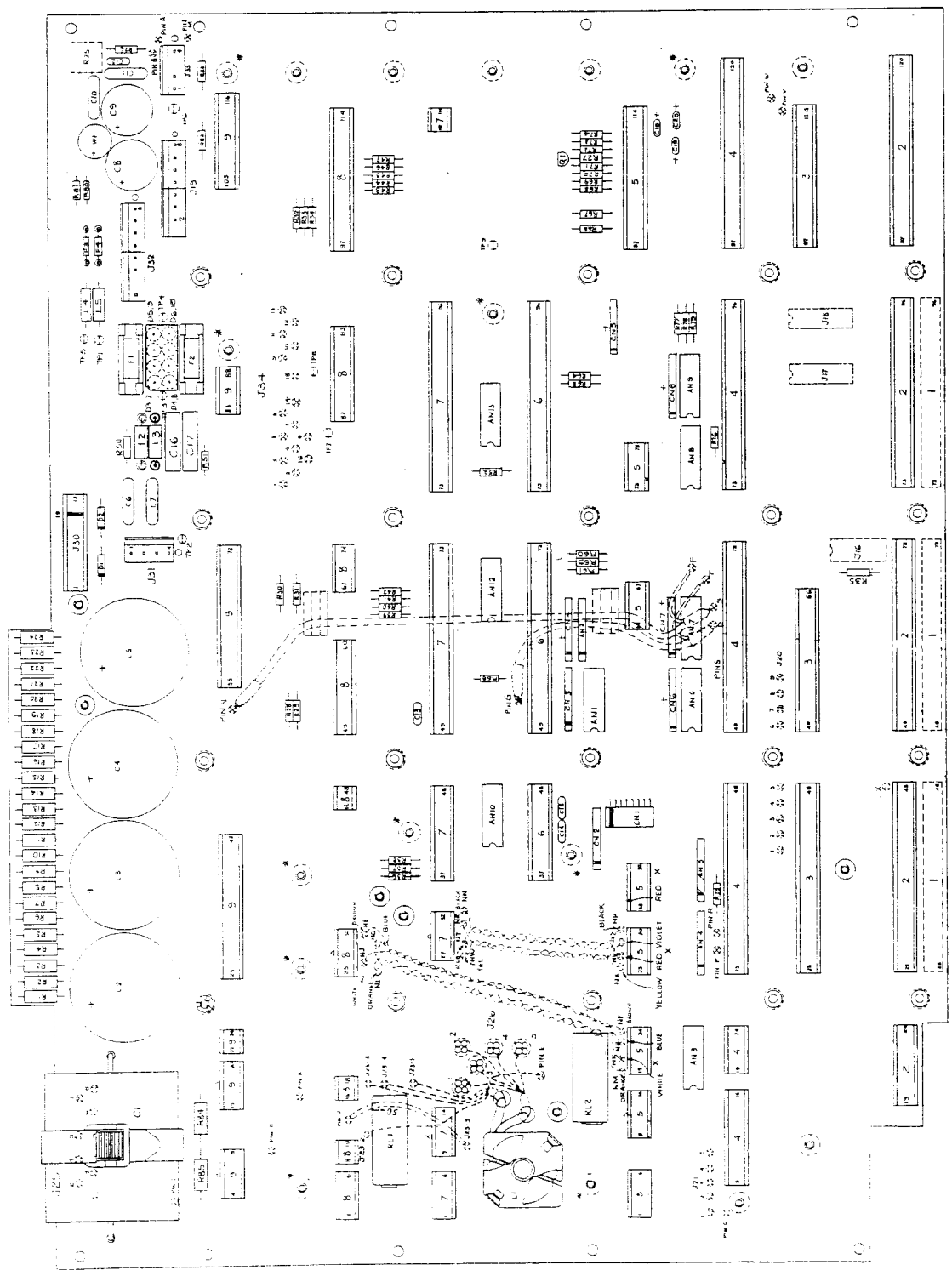


Connectors and Pin Numbers	Page
J1	25-96
J2	13-120
J3	25-666
J4	5-16 49-96 97-120
J5	11-16 19-30 62-67 97-114
J6	37-48 49-96
J7	1-6 27-32 49-96 112-114
J8	1-6 16-18 46-48 49-60 82-93 97-114
J9	4-9 22-42 55-72 105-116
J16/J17/J18	1-16
J19	1-8
J20	1-9
J21/J23/J26	1-5
J25	1-8
J30	1-2 11-12
J31/J33	1-4
J32	1-8
J34	1-2 3-15 16
Pin's:	A; B; C; M D; F; G; N; S; T E; H; J; K; L; P; R V; W; X

**MOTHER ASSEMBLY  
EDGE CONNECTOR PIN INDEX**



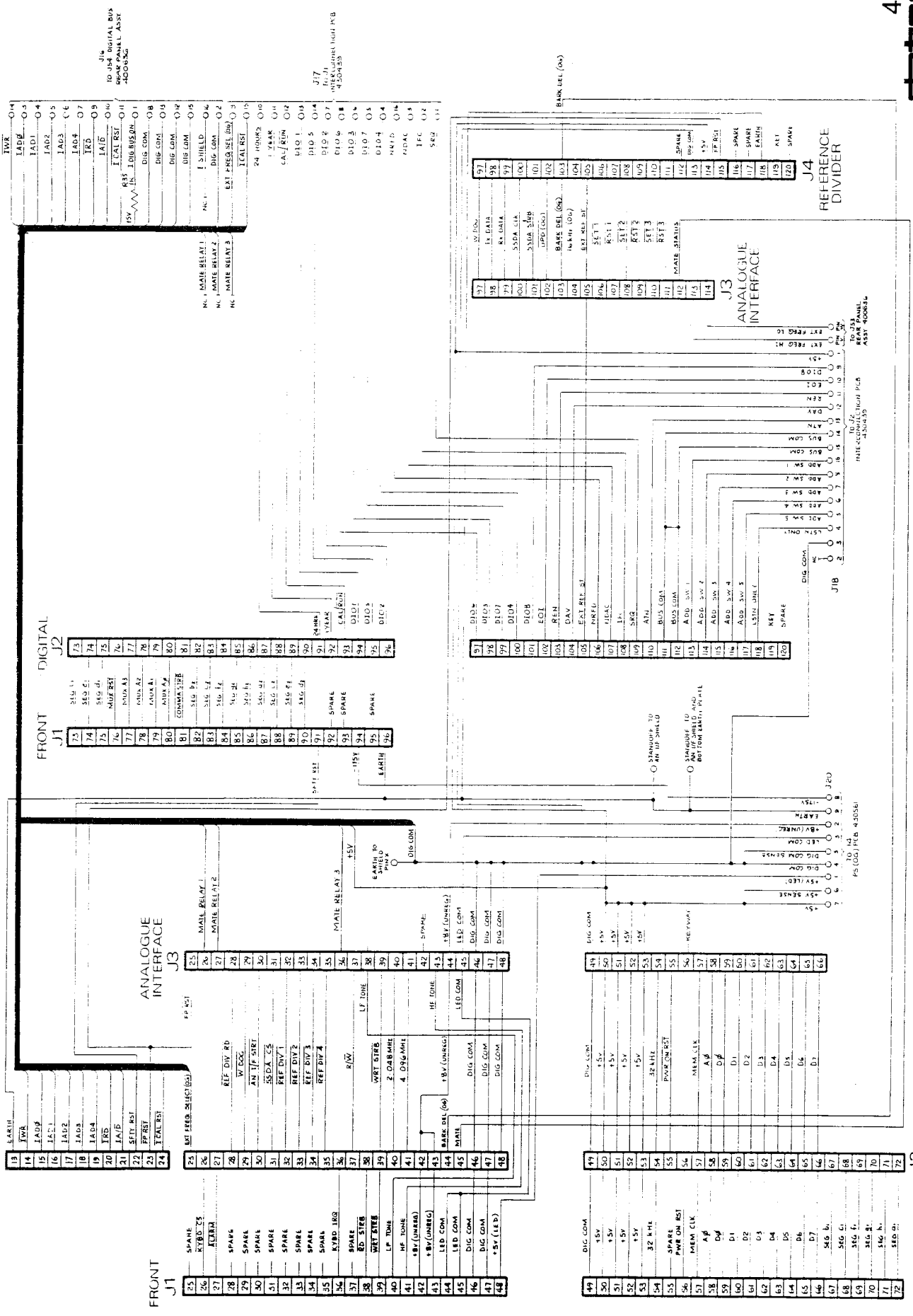
**MOTHER ASSEMBLY**



Connectors and Pin Numbers	Page
J1	25-96
J2	13-120
J3	25-66
J4	5-16 19-30 33-38 62-67 73-78
J5	1-6 11-16
J6	37-48 49-96
J7	1-6 16-18 27-32 37-48 49-96 112-114
J8	1-6 16-18 46-48 49-60 82-93 97-114
J9	4-9 22-42 55-72 105-116
J16/J17/J18	1-16
J19	1-8
J20	1-9
J21/J23/J26	1-5
J25	1-8
J30	1-2 11-12
J31/J33	1-4
J32	1-8
J34	1-2 3-15 16
Pins	A; B; C; M D; F; G; N; S; T E; H; J; K; L; P; R V; W; X

**MOTHER ASSEMBLY  
EDGE CONNECTOR PIN INDEX**





J16  
 TO J54 DIGITAL BUS  
 REAR PANEL ASST  
 430604-2.0

J17  
 TO J17 ANALOGUE BUS  
 REAR PANEL ASST  
 430604-2.0

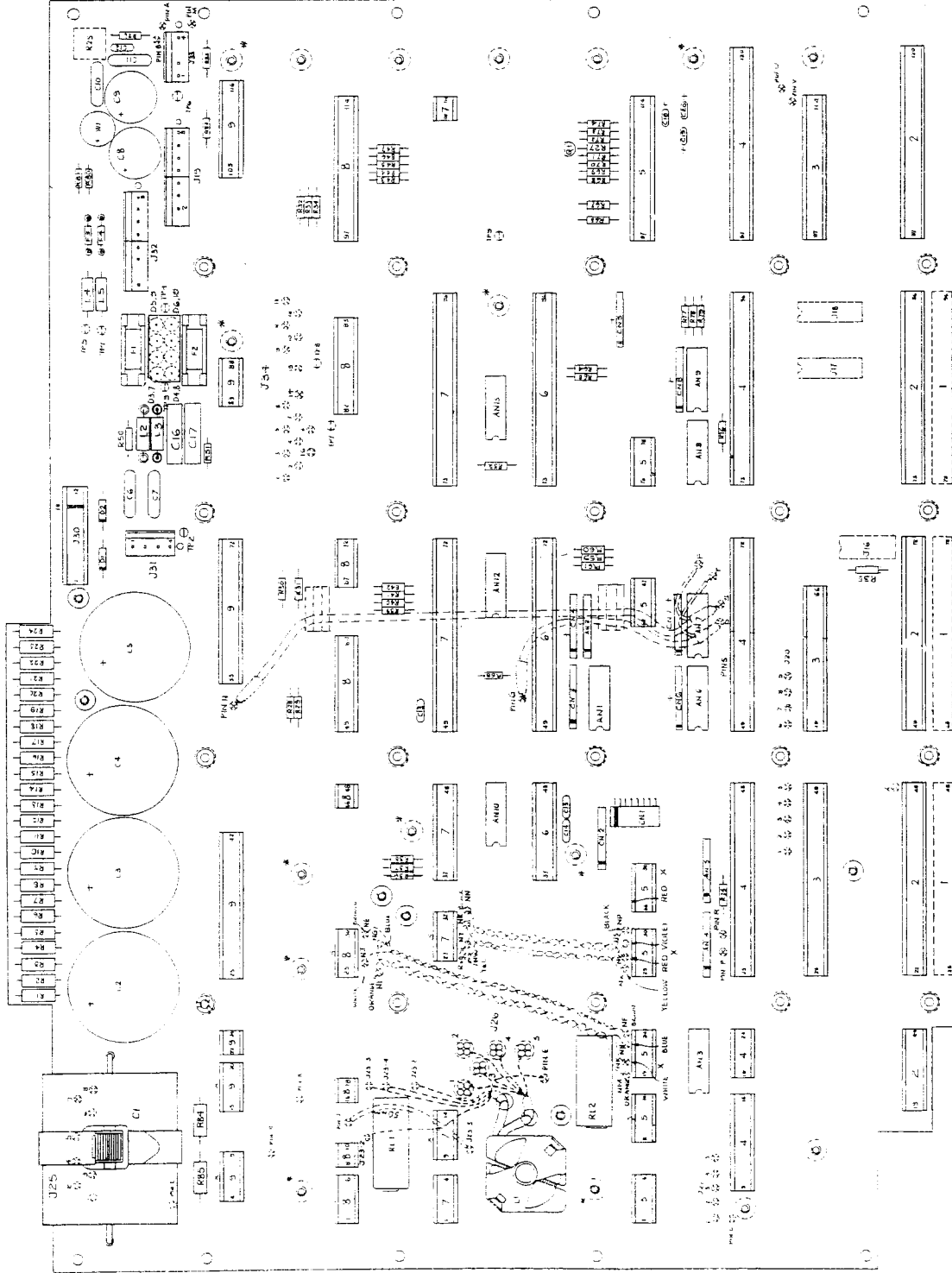
BANK DEL (00)

TO J22  
 REAR PANEL  
 ASST 430604-2.0

TO J22  
 REAR PANEL  
 ASST 430604-2.0

DIGITAL  
 J2

MOTHER ASSEMBLY



Connectors and Pin Numbers	Page
J1	25-96
J2	13-120
J3	25-66
J4	5-16
J5	11-16
J6	37-48
J7	1-6
J8	1-6
J9	4-9
J16/J17/J18	1-16
J19	1-8
J20	1-9
J21/J23/J26	1-5
J25	1-8
J30	1-2
J31/J33	1-4
J32	1-8
J34	3-15
Plns:	
A:	11-16-4
B:	11-16-4
C:	11-16-4
D:	11-16-1
E:	11-16-2
F:	11-16-2
G:	11-16-2
H:	11-16-2
I:	11-16-2
J:	11-16-2
K:	11-16-2
L:	11-16-2
M:	11-16-2
N:	11-16-2
O:	11-16-2
P:	11-16-2
Q:	11-16-2
R:	11-16-2
S:	11-16-2
T:	11-16-2
U:	11-16-2
V:	11-16-2
W:	11-16-2
X:	11-16-2

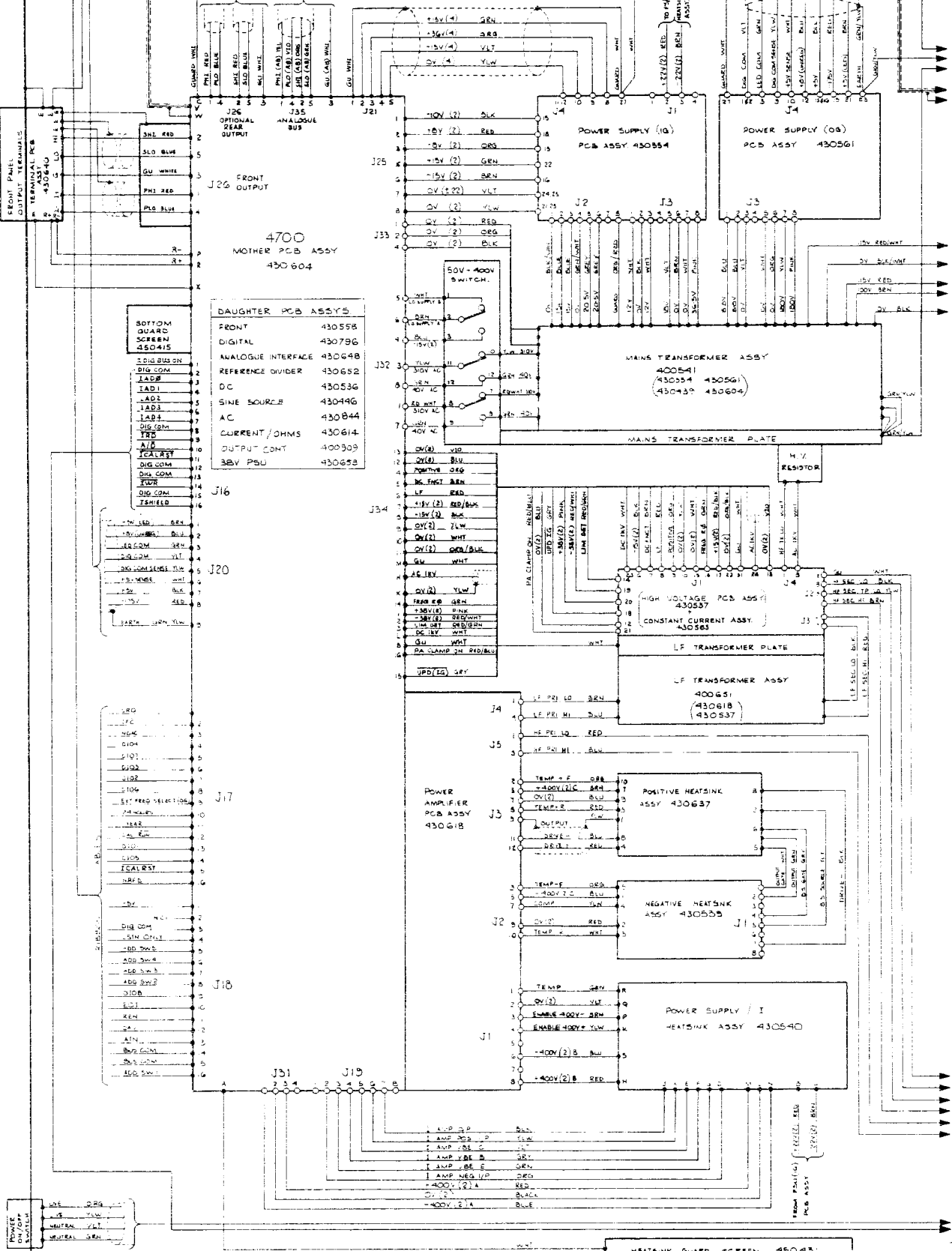
**MOTHER ASSEMBLY**  
**EDGE CONNECTOR PIN INDEX**



**INTERCONNECTIONS**

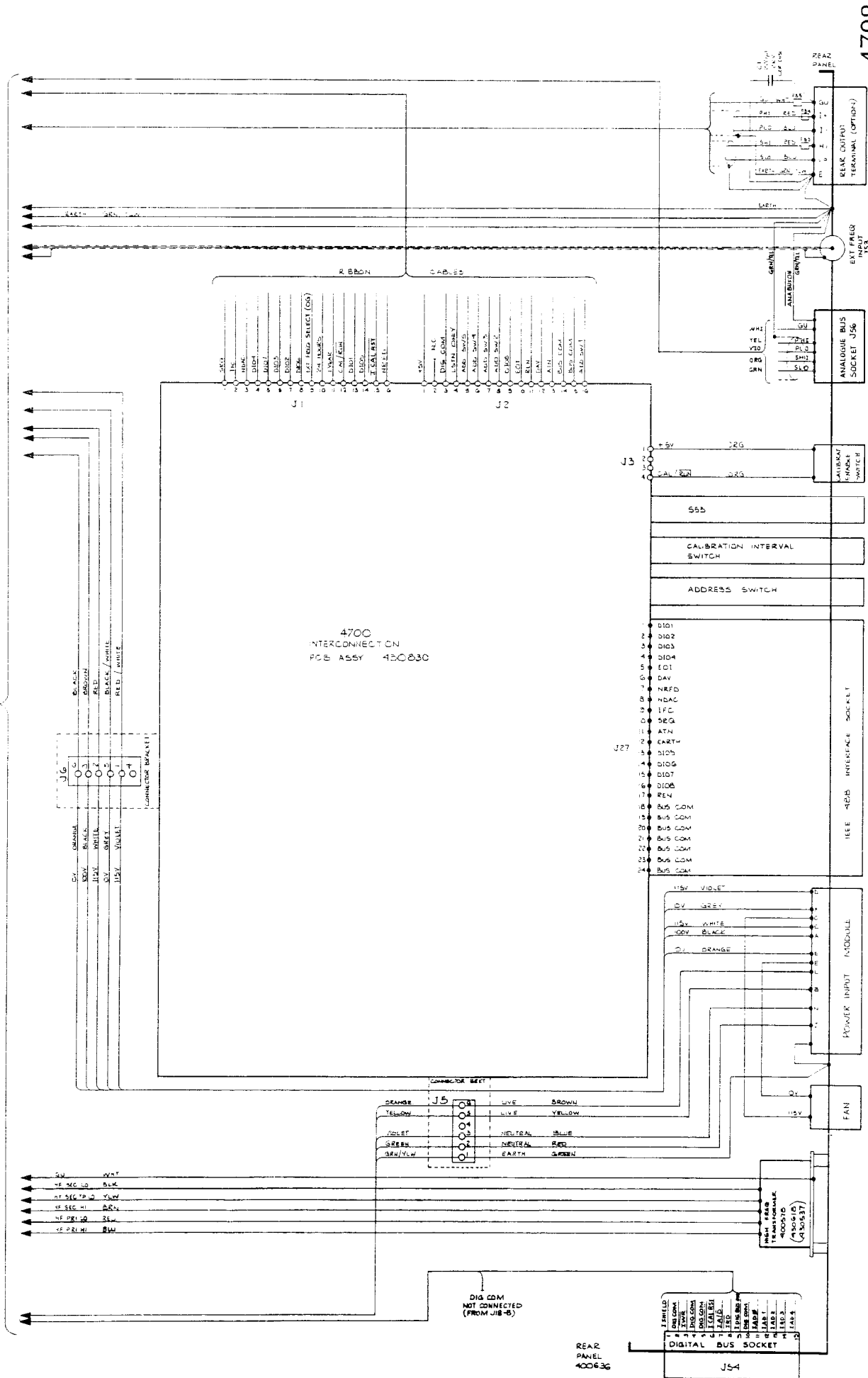
FRONT PANEL

FRONT PANEL

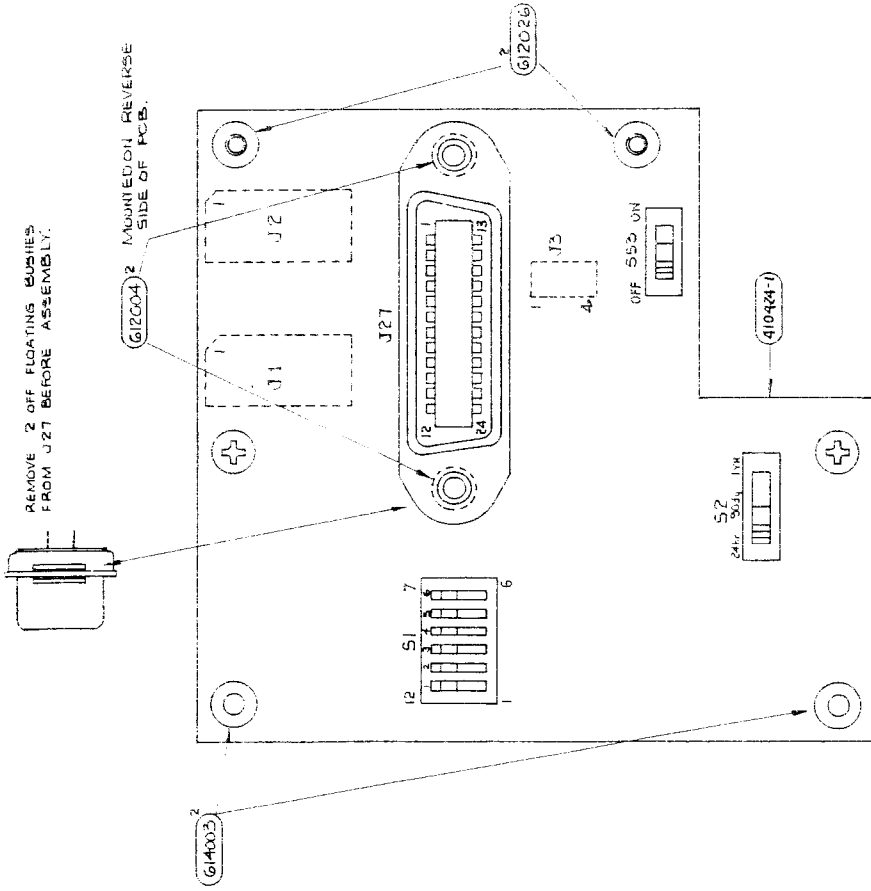
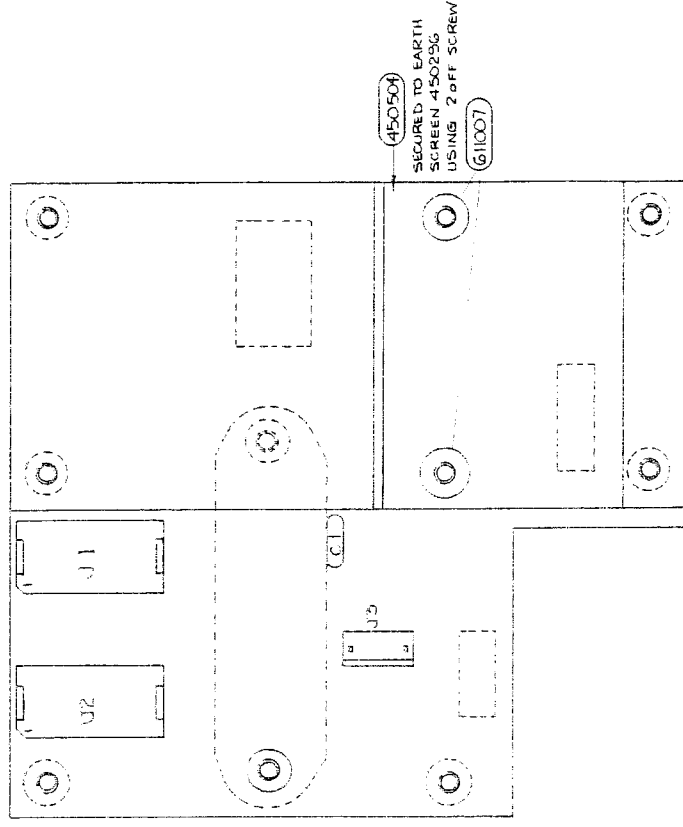
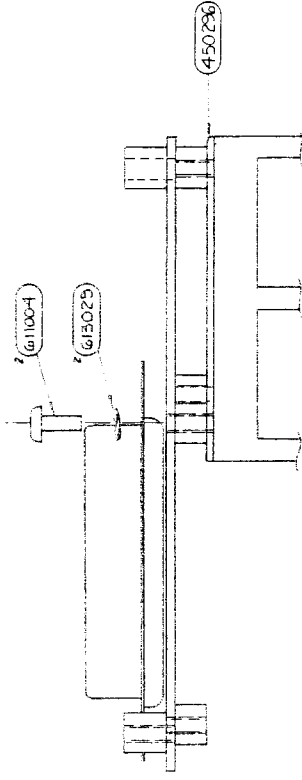


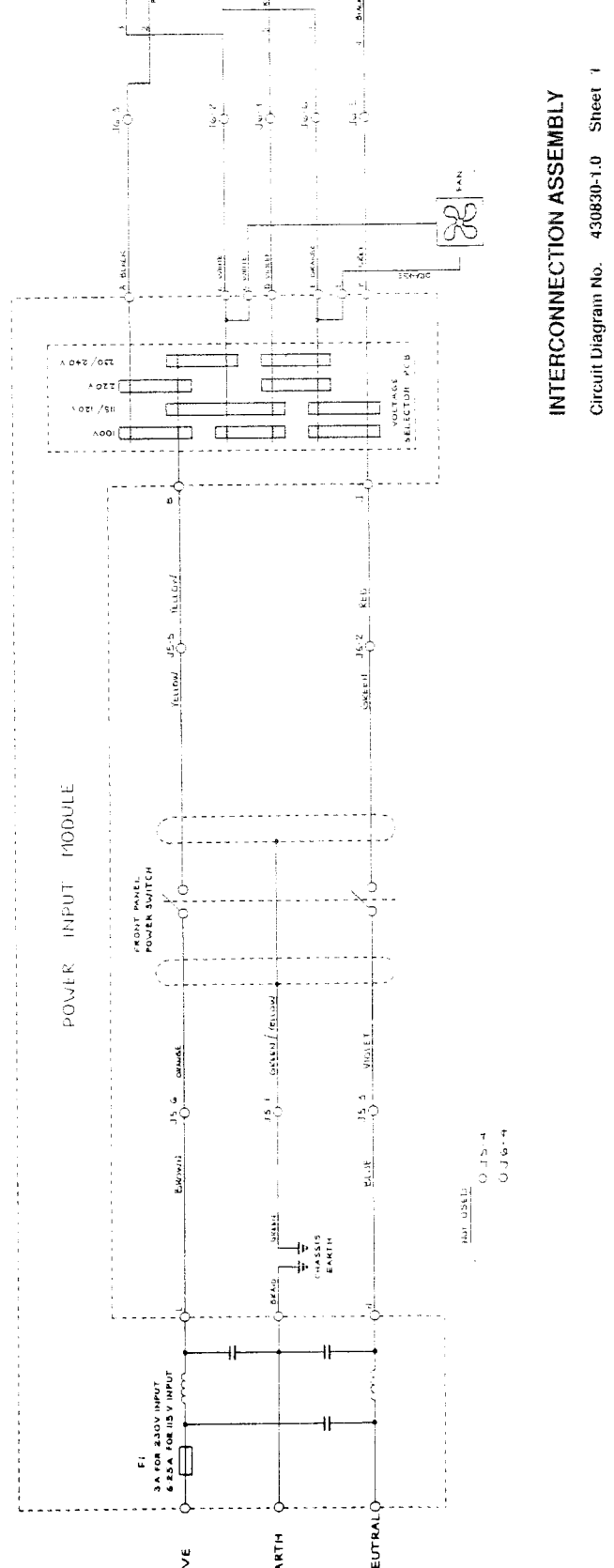
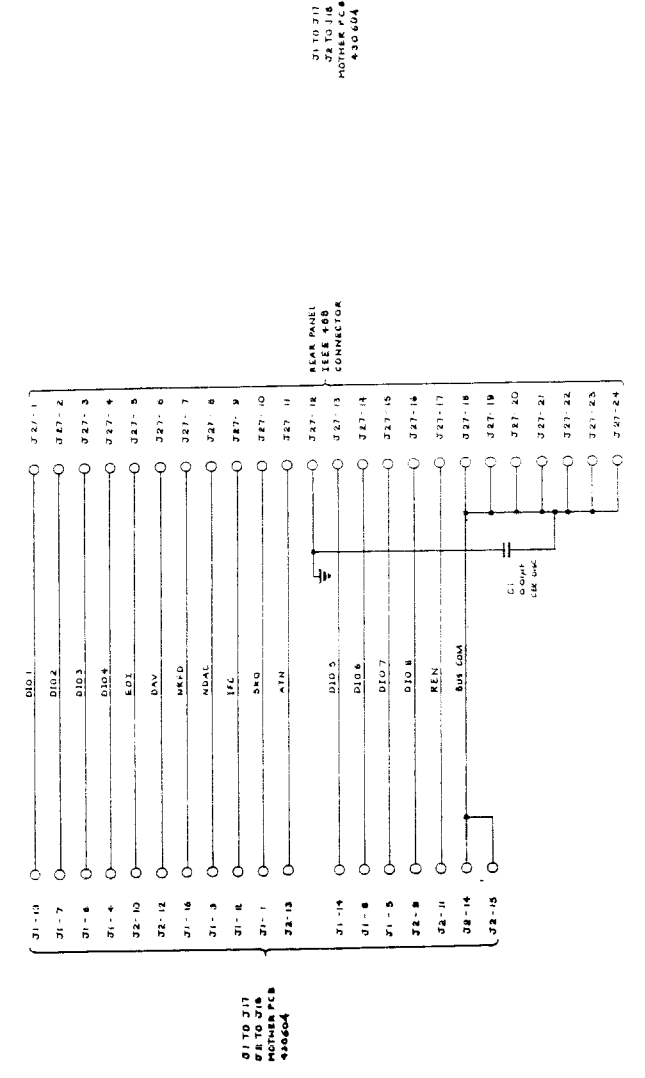
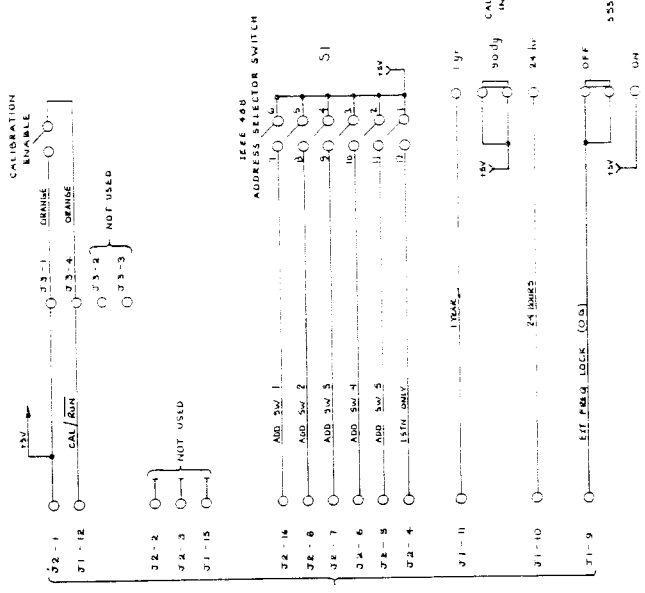
CONTINUED ON SHEET 2

CONTINUED ON SHEET 1



**INTERCONNECTION ASSEMBLY**





INTERCONNECTION ASSEMBLY  
 Circuit Diagram No. 430830-1.0 Sheet 1

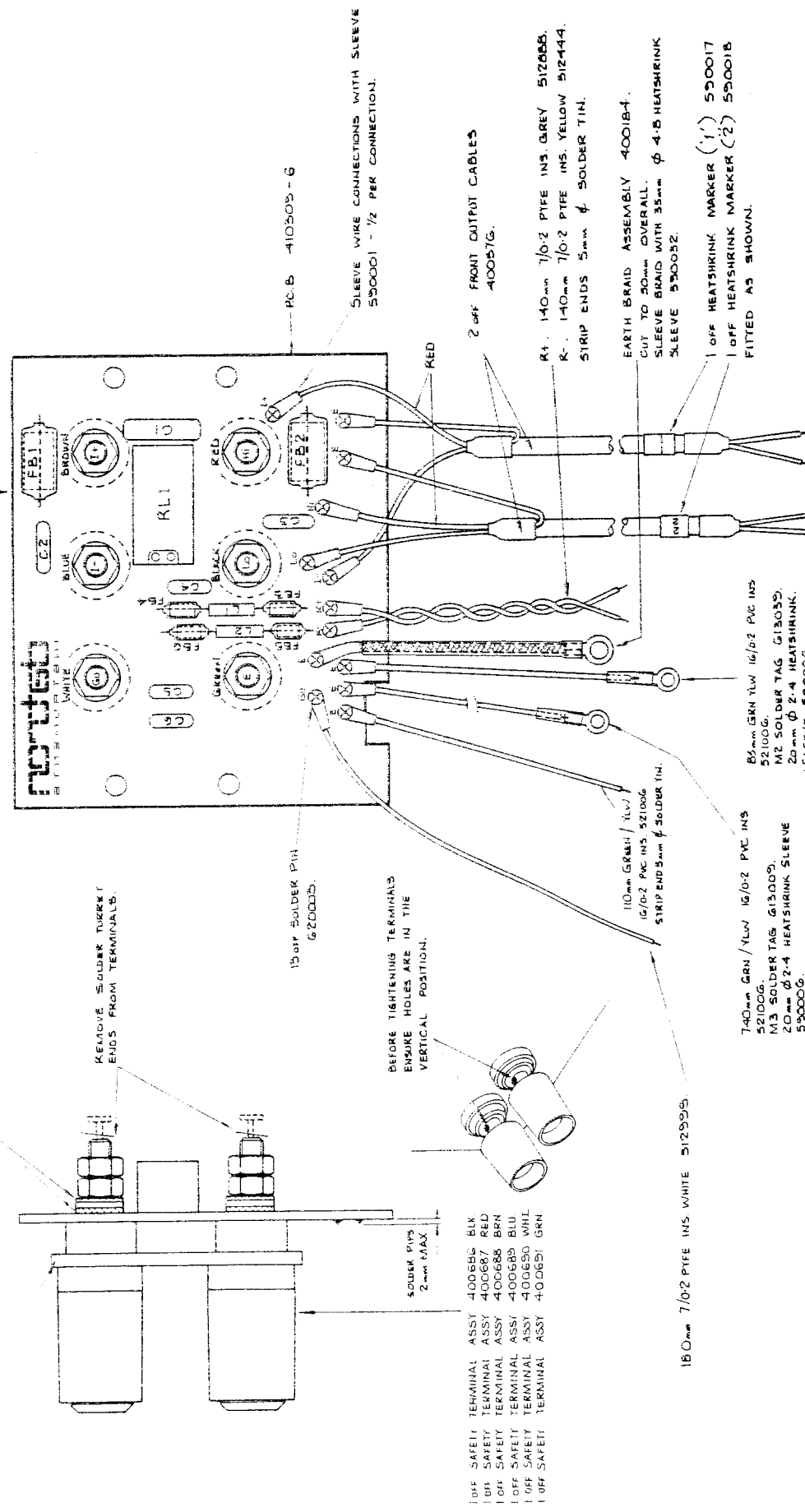
**TERMINAL BOARD ASSEMBLY**

SLEEVE ALL FERRITE BEADS  
FB1 & FB2 USE Ø 2.4 HEATSHRINK SLEEVE 520002.  
FB3, FB4, FB5 & FB6 USE Ø 4.8 HEATSHRINK SLEEVE 520002.  
ASSEMBLE FB3, FB4, FB5 & FB6 ON CHOICE LEADS AS SHOWN.  
FB1 & FB2 FITTED ON THINNED COPPER WIRE 540002.

WASHER SUPPLIED WITH TERMINAL IS NOT TO BE USED AS IT IS TOO LARGE.

SECURE TERMINAL USING: -  
2 OFF M4 SHAKEPROOF G13021 } PER TERMINAL  
1 OFF M4 PLAIN WASHER G13020 }  
USE NUTS AS SUPPLIED WITH TERMINALS.

TERMINAL PLATE  
4502 G5



- 1 OFF SAFETY TERMINAL ASSY 400656 BLK
- 1 OFF SAFETY TERMINAL ASSY 400667 RED
- 1 OFF SAFETY TERMINAL ASSY 400688 BRN
- 1 OFF SAFETY TERMINAL ASSY 400689 BLU
- 1 OFF SAFETY TERMINAL ASSY 400690 WHL
- 1 OFF SAFETY TERMINAL ASSY 400691 GRN

BEFORE TIGHTENING TERMINALS  
ENSURE HOLES ARE IN THE  
VERTICAL POSITION.

SOLDER PIPS  
2mm MAX

REMOVE SOLDER TUBE IF  
ENDS FROM TERMINALS.

15 STR SOLDER PIP  
G20005.

SLEEVE WIRE CONNECTIONS WITH SLEEVE  
520001 - 1/2 PER CONNECTION.

2 OFF FRONT OUTPUT CABLES  
400576.

R1. 140mm 7/0-2 PTFE INS. GREY 51265A.  
K. 140mm 7/0-2 PTFE INS. YELLOW 51244A.  
STRIP ENDS 5mm Ø SOLDER TIN.

EARTH BRAID ASSEMBLY 400184.  
CUT TO 50mm OVERALL.  
SLEEVE BRAID WITH 35mm Ø 4-B HEATSHRINK  
SLEEVE 520052.

1 OFF HEATSHRINK MARKER (1) 520017  
1 OFF HEATSHRINK MARKER (2) 520018  
FITTED AS SHOWN.

85mm GRN YLW 16/02 PVC INS  
521006.  
M2 SOLDER TAG G13039.  
20mm Ø 2.4 HEATSHRINK  
SLEEVE 520006.

740mm GRN/YLW 16/02 PVC INS  
521006.  
M3 SOLDER TAG G13039.  
20mm Ø 2.4 HEATSHRINK SLEEVE  
520006.

10mm GRN/YLW  
16/0-2 PVC INS 521006  
STRIP ENDS 5mm Ø SOLDER TIN.

180mm 7/0-2 PTFE INS. WHITE 512995.



FB1  
FX4029



C2  
22pF



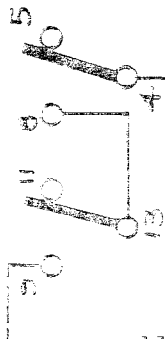
FB2  
FX4029



C1  
330pF



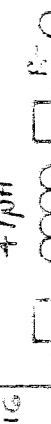
RL1



FB4  
FX402G



L1  
47pH



RL1  
16



L2  
47pH



FB5  
FX402G



C5  
220pF



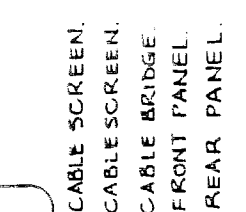
C4  
220pF



C6  
220pF



GLD  
MOTHER BOARD  
J26-3.



FRONT TERMINALS

TO MOTHER BOARD ASSEMBLY

426, 427, 428, 429, 430, 431, 432, 433, 434, 435, 436, 437, 438, 439, 440, 441, 442, 443, 444, 445, 446, 447, 448, 449, 450, 451, 452, 453, 454, 455, 456, 457, 458, 459, 460, 461, 462, 463, 464, 465, 466, 467, 468, 469, 470, 471, 472, 473, 474, 475, 476, 477, 478, 479, 480, 481, 482, 483, 484, 485, 486, 487, 488, 489, 490, 491, 492, 493, 494, 495, 496, 497, 498, 499, 500

TERMINAL BOARD ASSEMBLY

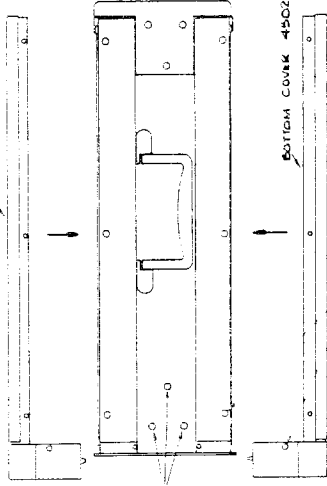
Circuit Diagram No. 430640-1.0 Sheet 1

**INSTRUMENT ASSEMBLY**

**NOTES**

1. FIT INTO CAL & SERVO HANDBOOK:-  
 1.1. USE 3/32" DIA 1/4" ANTI-RUCK FUSE.  
 1.2. OFF GROUND 2.5mm A/P HEX KEY.  
 2. OFF CAL SWITCH KEYS (FROM REAR PANEL ASSY).  
 3. LINK K ON REF DIVIDER POW ASSY  
 IS TO BE MADE FOR INSTRUMENTS  
 WITH H.V. OPTIONS FITTED & SUI IF  
 NOT FITTED.  
 4. FOR ALL OPTION FITTING INSTRUCTIONS  
 SEE DRAWING 480600
- OVERLAY FITTING PROCEDURE**
1. CLEAN FRONT PANEL METALWORK
  2. FIT PANEL ALIGN & FIT OVERLAY BY  
 USING ROLLER (FOR SIMILAR)
  3. TRIM OFF ANY EXCESS OVERLAY FROM OVERHANGS
  4. LEAVE THIS ASSEMBLED PANEL FOR 24 HOURS (MIN)
  5. RE-LOCATE OVERLAY PANEL TO ORIGINAL POSITION
  6. REPLACE THIS PANEL ON THE ORIGINAL INSTRUMENT.

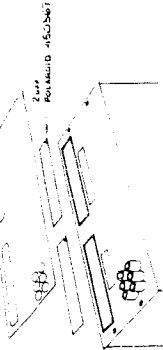
TOP COVER 450213



BOTTOM COVER 450214

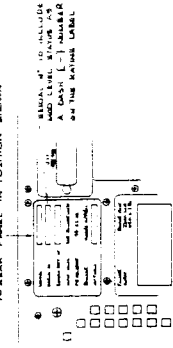
FIT HERE:- SCREW REAL C.S.K. SCREWS  
 61036 IN 10 POSITIONS

VARIABLE RESISTOR  
 SEE NOTES

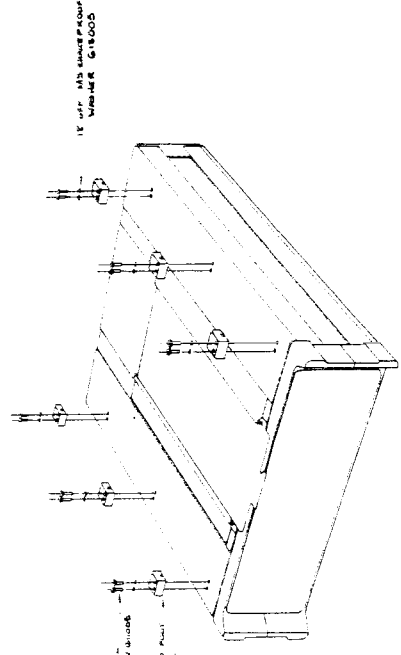


FIT THE MAIN WINDING ASSEMBLY INTO  
 1 POSITION FOR THE MAIN WINDING  
 ASSEMBLY ON SERVO DRIVE ASSEMBLY

STICK RATING LABEL 450225  
 TO REAR PANEL IN POSITION SHOWN

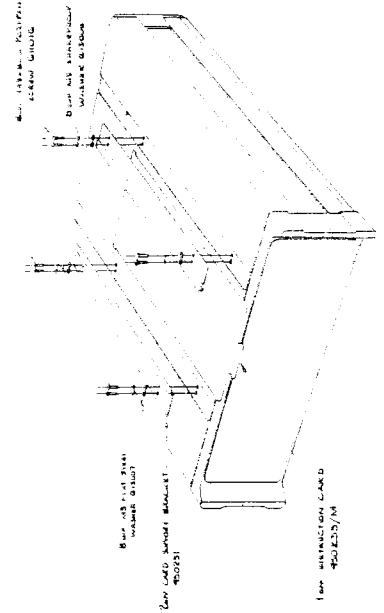


REAR PANEL TO INCLUDE  
 A GASKET UNDER  
 ON THE REAR LABEL



IF YOU USE WINDING  
 WINDING GROUND

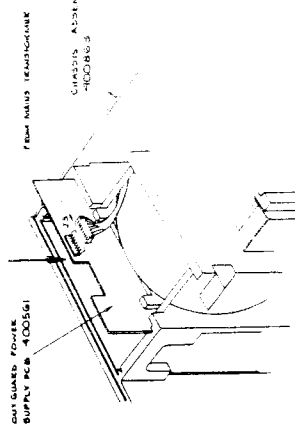
REAR PANEL  
 REAR PANEL SCREWS  
 61036 IN 10 POSITIONS



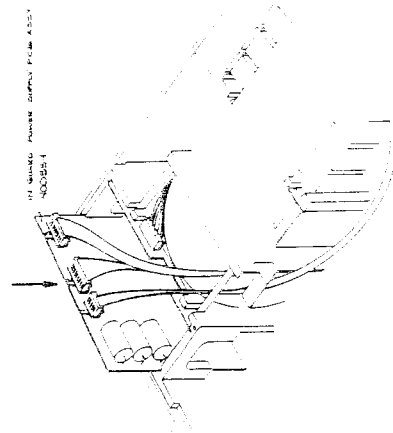
REAR PANEL SCREWS  
 61036 IN 10 POSITIONS

REAR PANEL SCREWS  
 61036 IN 10 POSITIONS

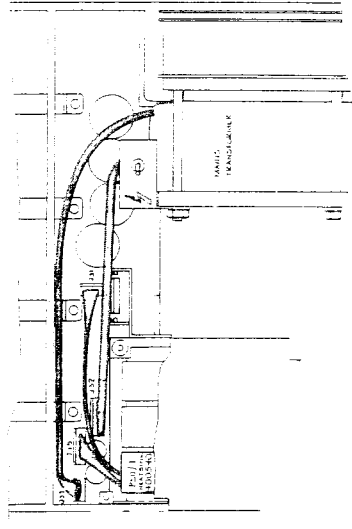
1



2



3



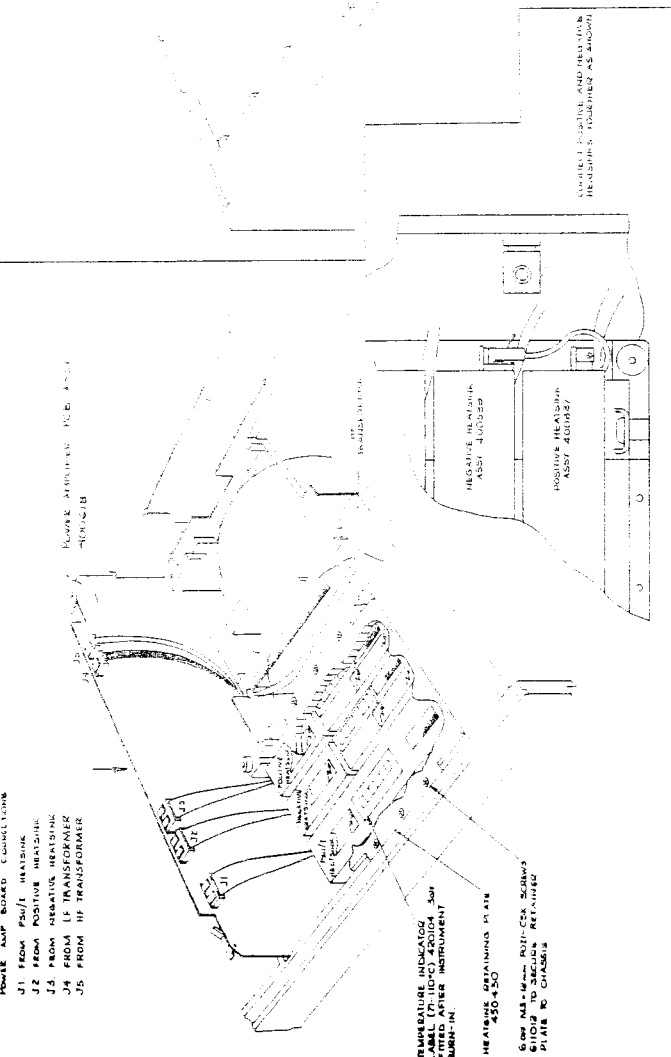
INWARD PCB CONNECTIONS  
 J1 FROM POWER SUPPLY TRANSFORMER  
 J2 FROM MAIN TRANSFORMER  
 J3 FROM MAIN TRANSFORMER

NOTE  
 CLEAN ALL PCB EDGE CONTACTS WITH  
 CLEANING FLUID BEFORE DOING BRIDGE  
 FINAL ASSEMBLY & AT FINAL INSPECTION  
 STAGES  
 STEPS 3 5 6 7

4

POWER AMP BOARD CONNECTIONS  
 J1 FROM PAU/I HEATING  
 J2 FROM POSITIVE HEATING  
 J3 FROM NEGATIVE HEATING  
 J4 FROM LF TRANSFORMER  
 J5 FROM HF TRANSFORMER

5



TEMPERATURE INDICATOR LABEL (711010) 42004 50P  
 HEATING RETAINING PLATE 430430  
 HEATING RETAINING PLATE 430430  
 HEATING RETAINING PLATE 430430  
 HEATING RETAINING PLATE 430430

HIGH VOLTAGE WASHED CONNECTIONS  
 J1 FROM HF TRANSFORMER  
 J2 FROM LF TRANSFORMER  
 J3 FROM LF TRANSFORMER  
 J4 FROM ALTO LABO RESISTOR ON  
 MAIN TRANSFORMER CORE

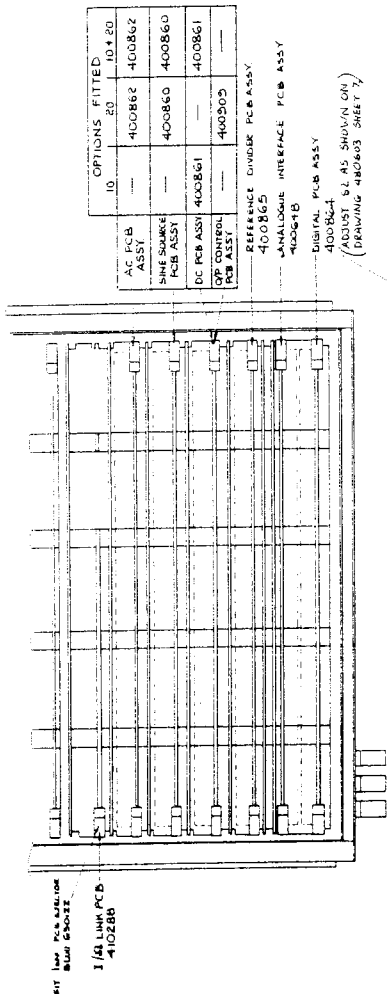
### MAIN ASSEMBLY

Layout Drawing No. DA400859-1.1

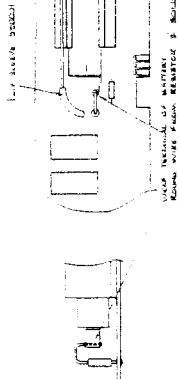
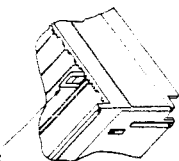
Sheet 1

6

TEST  
 CLEAN ALL PCB EDGE SURFACES WITH CLEANING  
 FLUID. SOLDER GOTS BEFORE INITIAL ASSEMBLY  
 AND AT FINAL INSPECTION STAGE.

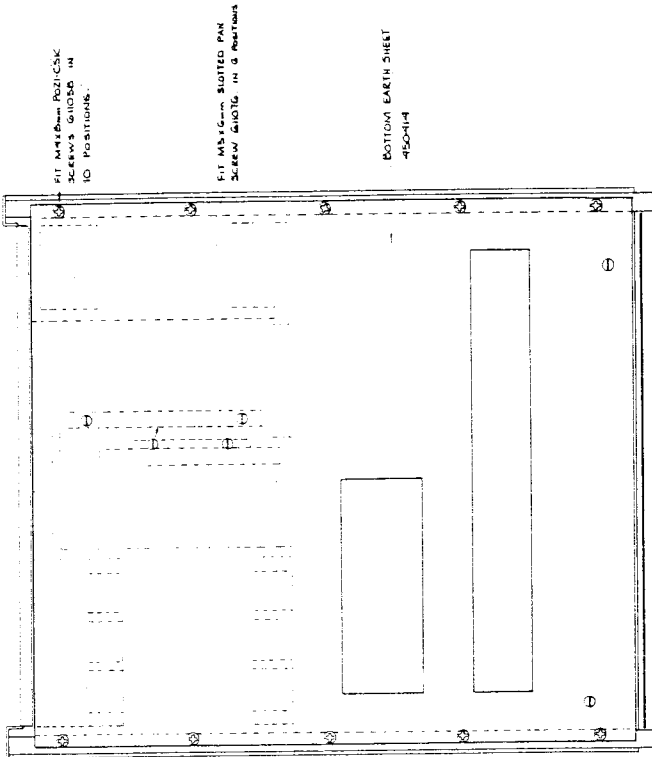


TRANSFER THE  
 LABEL (7-45) 42003  
 AFTER INSTRUMENT  
 SERVICE

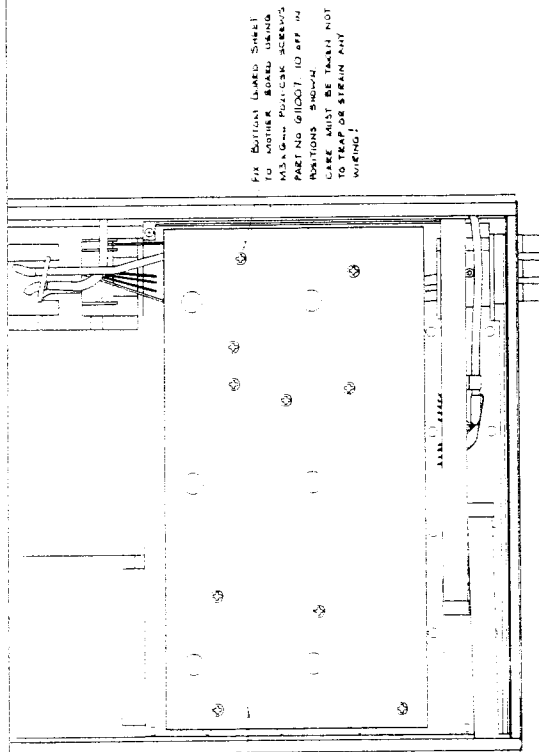


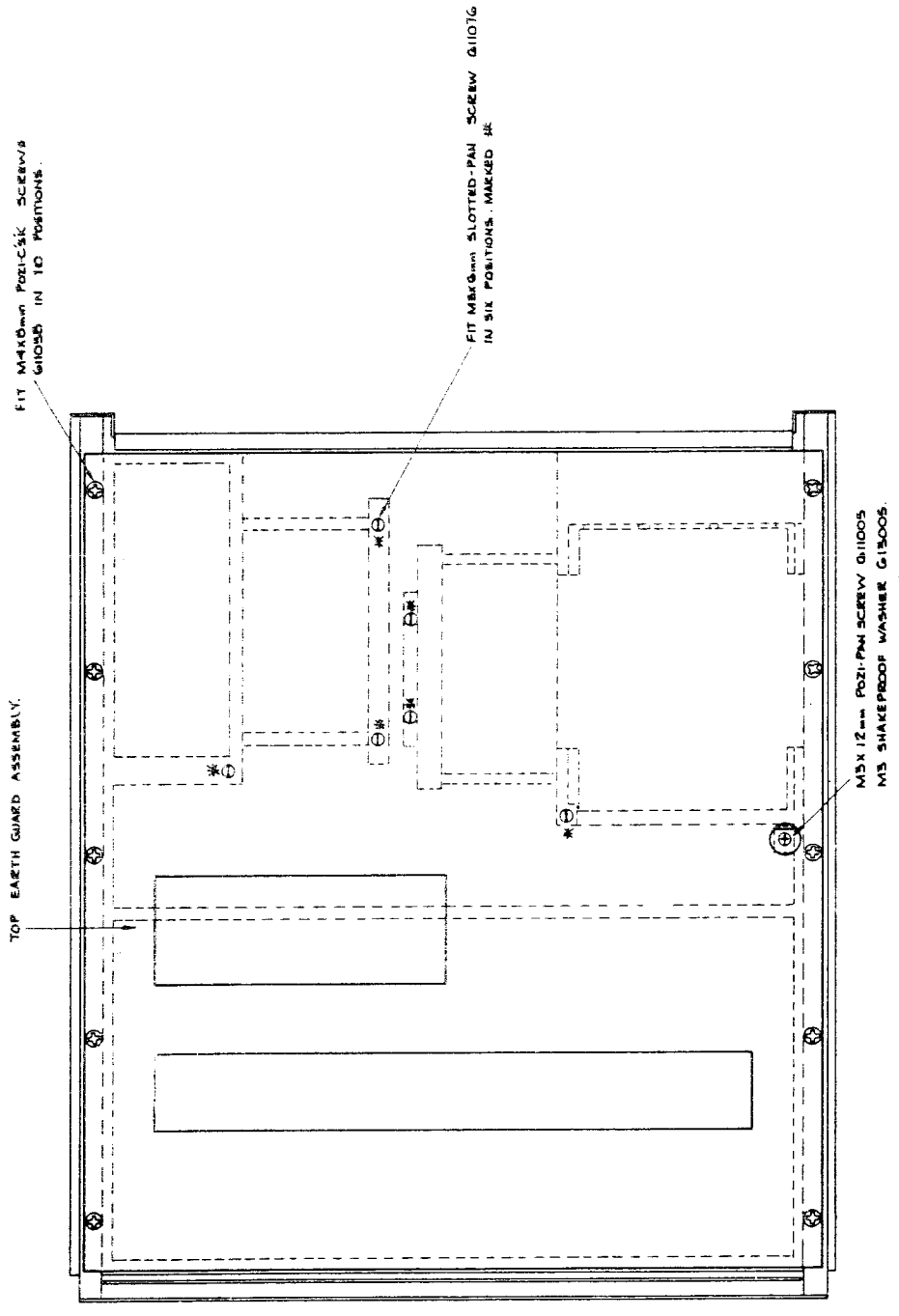
5 (20) OF RED WIRE  
 JOE SOLDER TO THE  
 5 (20) OF RED WIRE  
 1 (20) OF RED WIRE

8



7



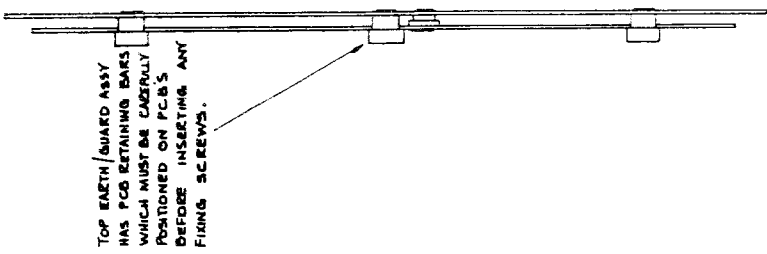


TOP EARTH GUARD ASSEMBLY.

FIT M4X6mm POZI-CRICK SCREWS G1035B IN 10 POSITIONS.

FIT M8X6mm SLOTTED-PAN SCREW G1107G IN SIX POSITIONS. MARKED #8

M3X 12mm POZI-PAN SCREW G1100S  
M3 SHAKEPROOF WASHER G1300S

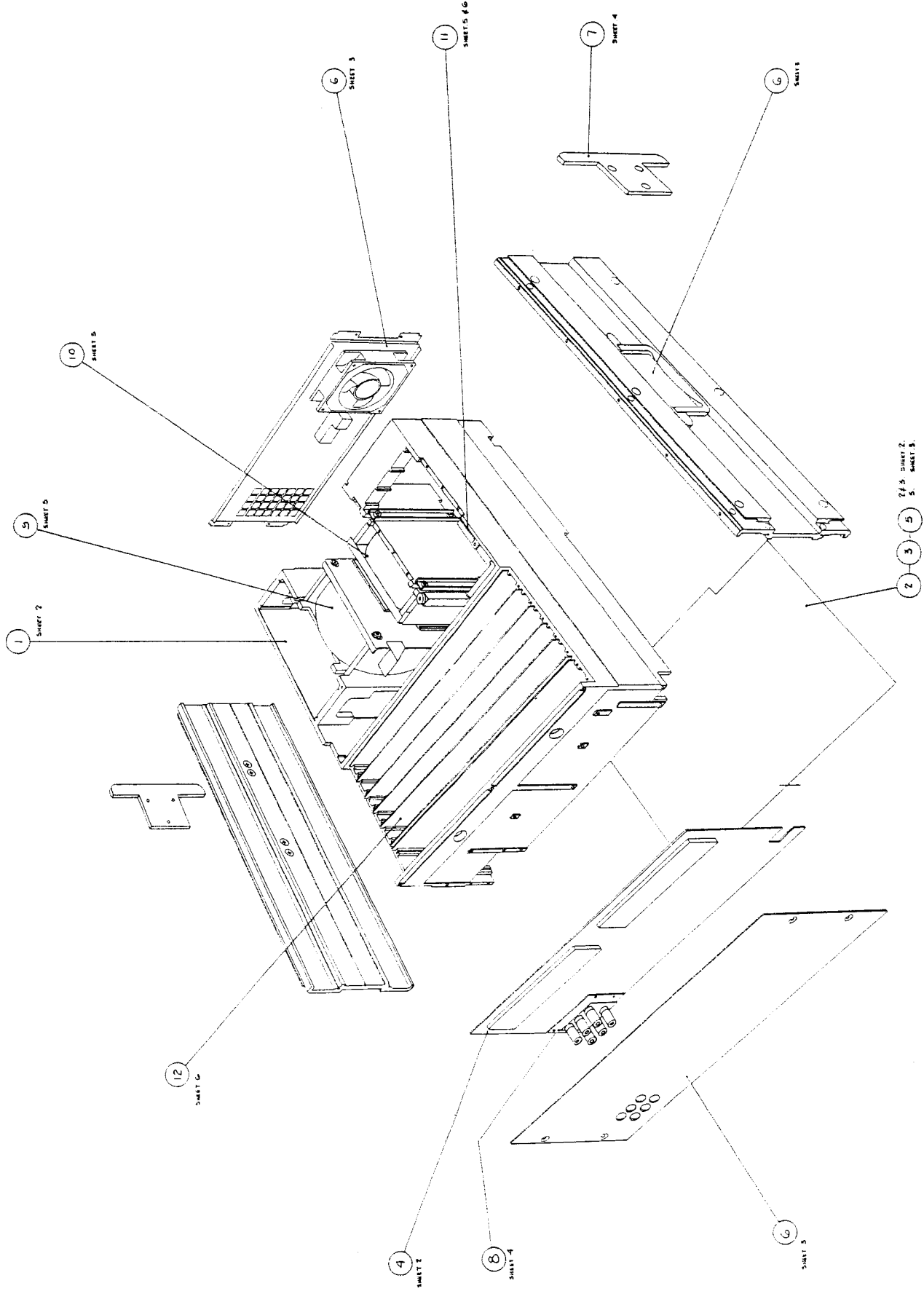


TOP EARTH GUARD ASSY HAS PCB RETAINING BARS WHICH MUST BE CAREFULLY POSITIONED ON PCB'S BEFORE INSERTING ANY FIXING SCREWS.

MAIN ASSEMBLY

Layout Drawing No. DA400659-1.0 Sheet 3

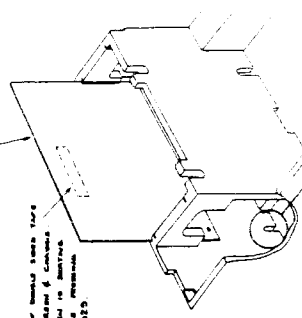
**CHASSIS ASSEMBLY**



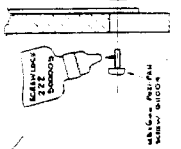
1

FROM SERVICE GUARD SCREEN ASSEMBLY

USE 60mm OF INSULATED SERVICE TUBE  
SERVICES TO BE MOUNTED TO CHASSIS  
BEHIND THE SERVICE GUARD SCREEN  
CONNECTED TO SERVICE TUBES  
BEHIND THE SERVICE GUARD SCREEN



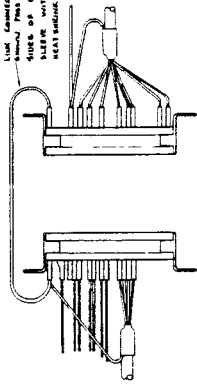
USE 60mm INSULATED SERVICE TUBE  
SERVICES TO BE MOUNTED TO CHASSIS  
BEHIND THE SERVICE GUARD SCREEN  
CONNECTED TO SERVICE TUBES  
BEHIND THE SERVICE GUARD SCREEN



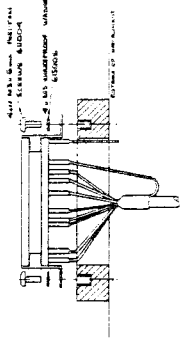
USE 60mm INSULATED SERVICE TUBE  
SERVICES TO BE MOUNTED TO CHASSIS  
BEHIND THE SERVICE GUARD SCREEN  
CONNECTED TO SERVICE TUBES  
BEHIND THE SERVICE GUARD SCREEN

2

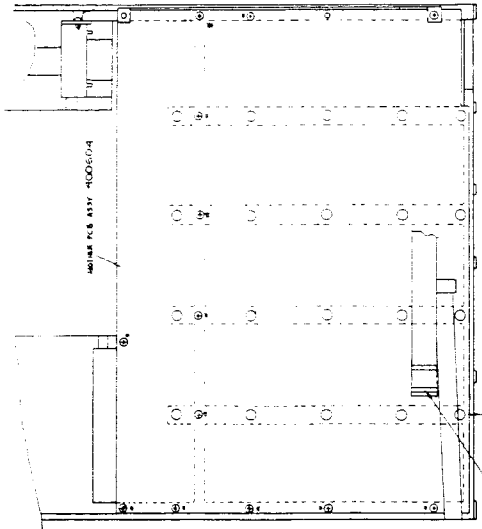
USE 60mm INSULATED SERVICE TUBE  
SERVICES TO BE MOUNTED TO CHASSIS  
BEHIND THE SERVICE GUARD SCREEN  
CONNECTED TO SERVICE TUBES  
BEHIND THE SERVICE GUARD SCREEN



USE 60mm INSULATED SERVICE TUBE  
SERVICES TO BE MOUNTED TO CHASSIS  
BEHIND THE SERVICE GUARD SCREEN  
CONNECTED TO SERVICE TUBES  
BEHIND THE SERVICE GUARD SCREEN



3

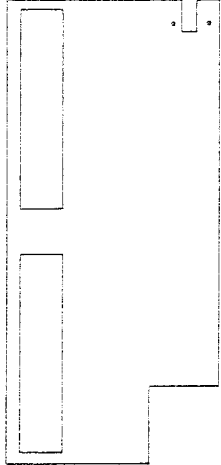


USE 60mm INSULATED SERVICE TUBE  
SERVICES TO BE MOUNTED TO CHASSIS  
BEHIND THE SERVICE GUARD SCREEN  
CONNECTED TO SERVICE TUBES  
BEHIND THE SERVICE GUARD SCREEN

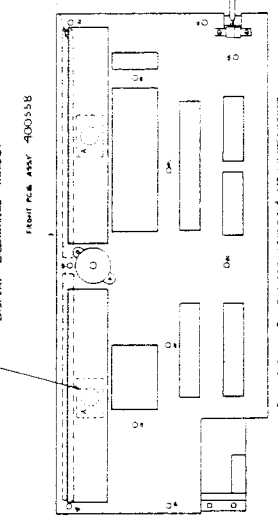


USE 60mm INSULATED SERVICE TUBE  
SERVICES TO BE MOUNTED TO CHASSIS  
BEHIND THE SERVICE GUARD SCREEN  
CONNECTED TO SERVICE TUBES  
BEHIND THE SERVICE GUARD SCREEN

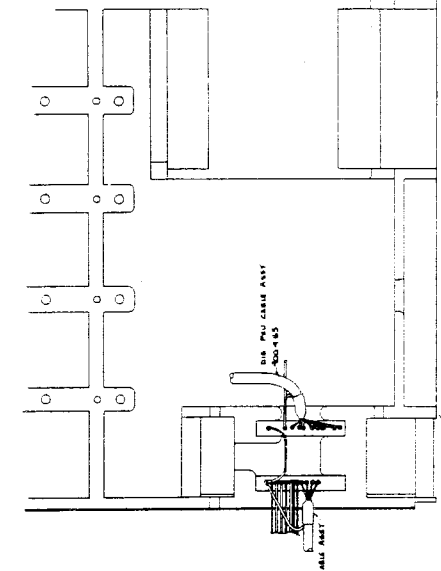
4



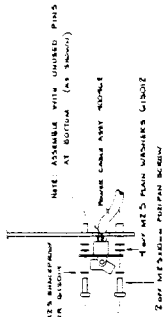
USE 60mm INSULATED SERVICE TUBE  
SERVICES TO BE MOUNTED TO CHASSIS  
BEHIND THE SERVICE GUARD SCREEN  
CONNECTED TO SERVICE TUBES  
BEHIND THE SERVICE GUARD SCREEN



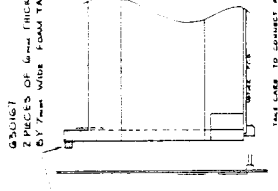
USE 60mm INSULATED SERVICE TUBE  
SERVICES TO BE MOUNTED TO CHASSIS  
BEHIND THE SERVICE GUARD SCREEN  
CONNECTED TO SERVICE TUBES  
BEHIND THE SERVICE GUARD SCREEN



USE 60mm INSULATED SERVICE TUBE  
SERVICES TO BE MOUNTED TO CHASSIS  
BEHIND THE SERVICE GUARD SCREEN  
CONNECTED TO SERVICE TUBES  
BEHIND THE SERVICE GUARD SCREEN



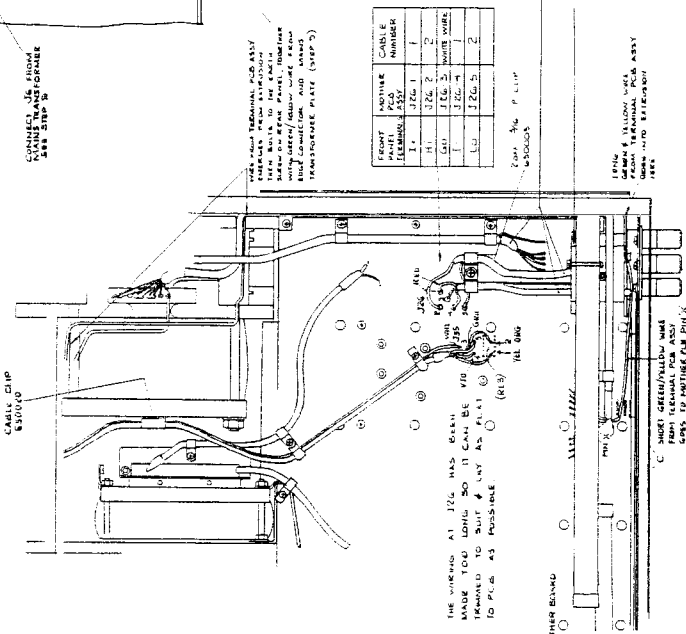
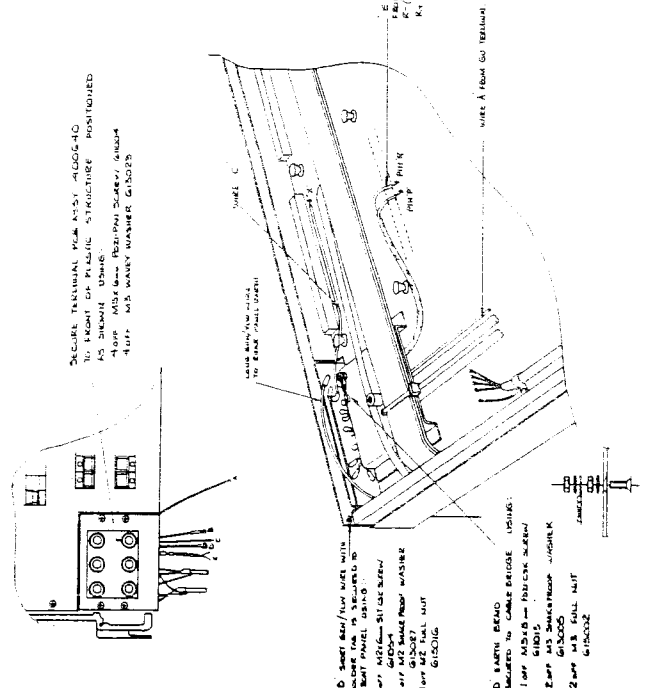
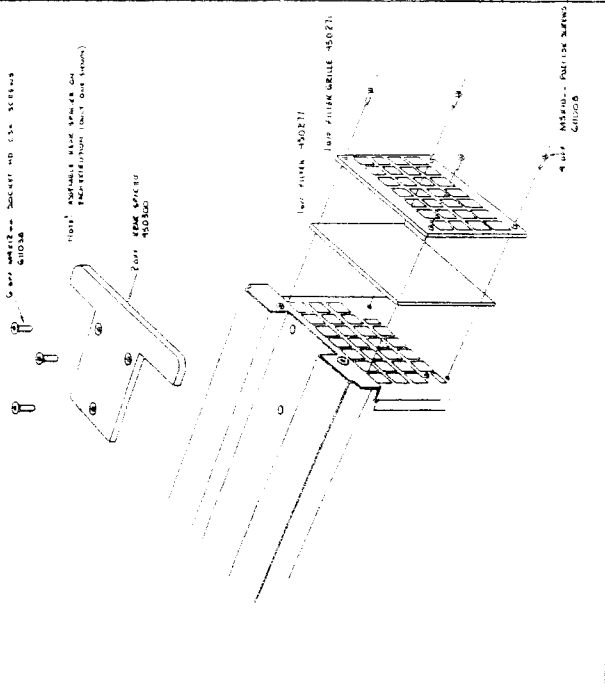
USE 60mm INSULATED SERVICE TUBE  
SERVICES TO BE MOUNTED TO CHASSIS  
BEHIND THE SERVICE GUARD SCREEN  
CONNECTED TO SERVICE TUBES  
BEHIND THE SERVICE GUARD SCREEN



USE 60mm INSULATED SERVICE TUBE  
SERVICES TO BE MOUNTED TO CHASSIS  
BEHIND THE SERVICE GUARD SCREEN  
CONNECTED TO SERVICE TUBES  
BEHIND THE SERVICE GUARD SCREEN







FRONT PANEL TERMINAL NUMBER	FRONT PANEL TERMINAL NUMBER	CABLE NUMBER
14	17C6 1	1
15	17C6 2	2
16	17C6 3	3
17	17C6 4	4
18	17C6 5	5
19	17C6 6	6

NOTE! IT IS IMPORTANT TO KEEP ALL WIRING ON MOTHER BOARD TO A MAXIMUM HEIGHT OF 8mm AFTER ASSEMBLY AN EASY CHECK IS TO CHECK THE WIRING IS UNDER SCREEN OR UNDER SHIELDING AND NOT TO BE PUSHING ANY WIRING (AS BELOW)



BEFORE ANY WIRING IS MADE TO THE FRONT PANEL PINS UNDER CABLES SECURE CABLE WIRE TO MOTHER P.C.B. USE 2 Pcs. M3x0.5 TORX SCREW DRIVER 2 Pcs. M3x0.5 TORX SCREW DRIVER

FRONT PANEL TERMINAL PCB ASSY FROM TERMINAL PCB ASSY

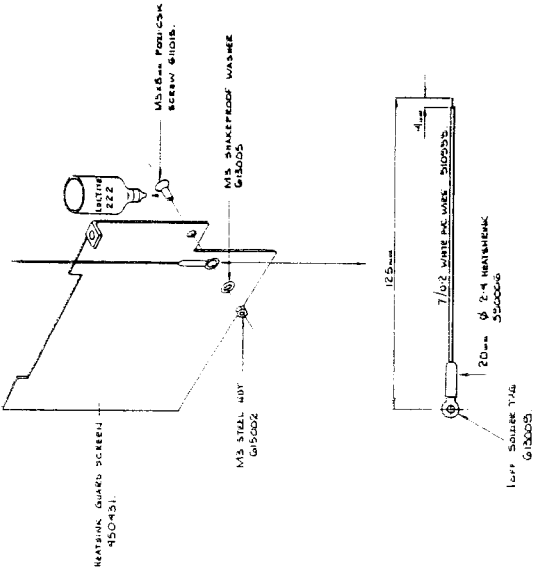
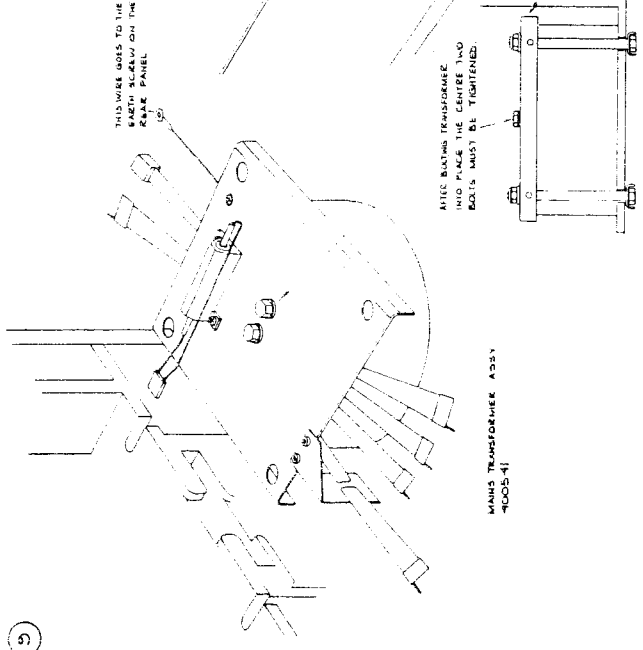
WIRE A FROM GND TERMINAL

2 Pcs. M3x0.5 TORX SCREW DRIVER  
2 Pcs. M3x0.5 TORX SCREW DRIVER

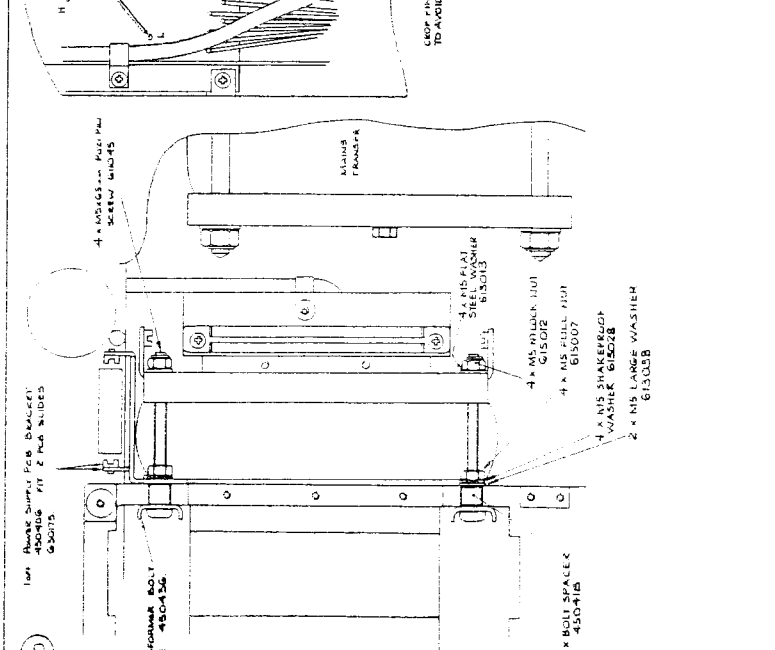
2 Pcs. M3x0.5 TORX SCREW DRIVER  
2 Pcs. M3x0.5 TORX SCREW DRIVER

CHASSIS ASSEMBLY

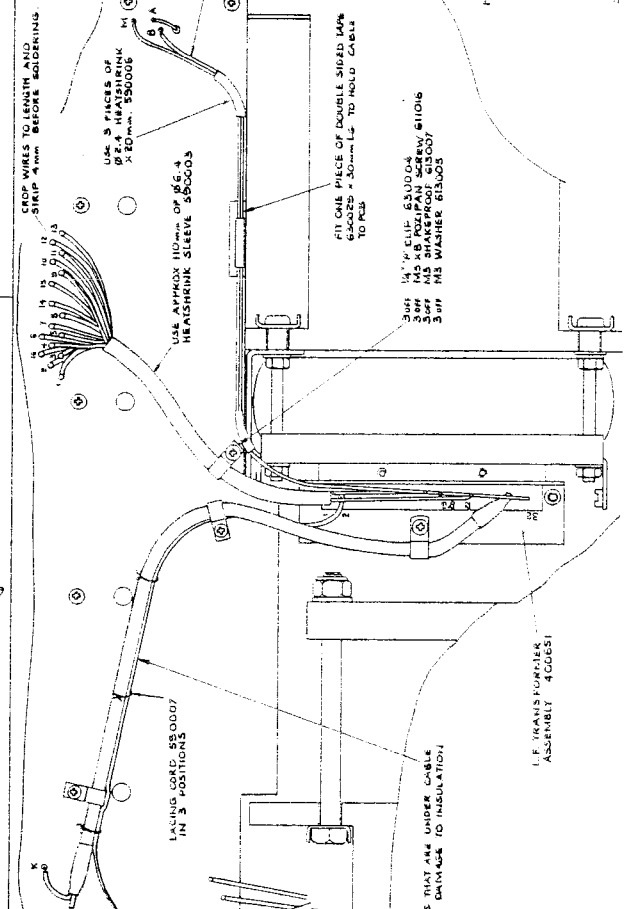
(11)



(9)



(10)



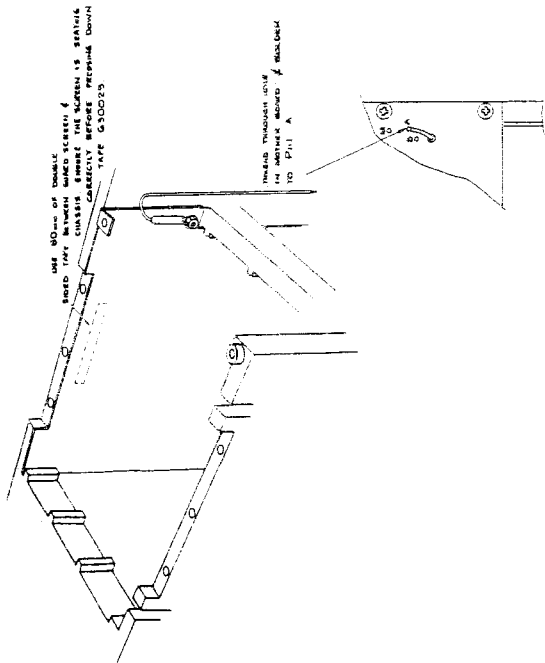
LT (W) ON LEFT TO ARIA	WIRE COLOUR	WIRE PIN L.	WIRE ON RIGHT TO ARIA
2, 3	WHITE	7/8	PIN 1
6	BLACK	7/9	JPM-8
7	BROWN	7/10	JPM-3
8	RED	7/11	JPM-5
9	ORANGE	7/12	JPM-3
10	YELLOW	7/13	JPM-8
12	BLUE	7/14	JPM-8
13	VIOLET	7/15	JPM-18
14	RED/BRN	7/16	JPM-8
15	GREEN	7/17	JPM-14
17	RED/BLK	7/18	JPM-7
18	BRY	7/19	JPM-18
19	RED/WHN	7/20	JPM-8
20	PINK	7/21	JPM-7
21	RED/BLU	7/22	JPM-16
22	BK/BLK	7/23	JPM-16
28	COAX	7/24	CENTRE - PIN 8
31	WHITE	7/25	PIN 14

JPM TO JPM INCL ARE INSIDE THE SERVO

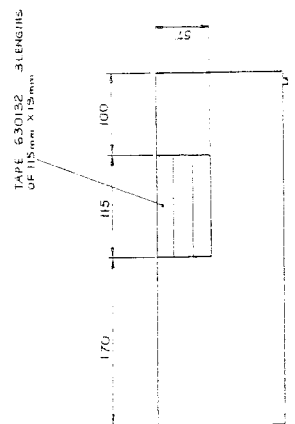
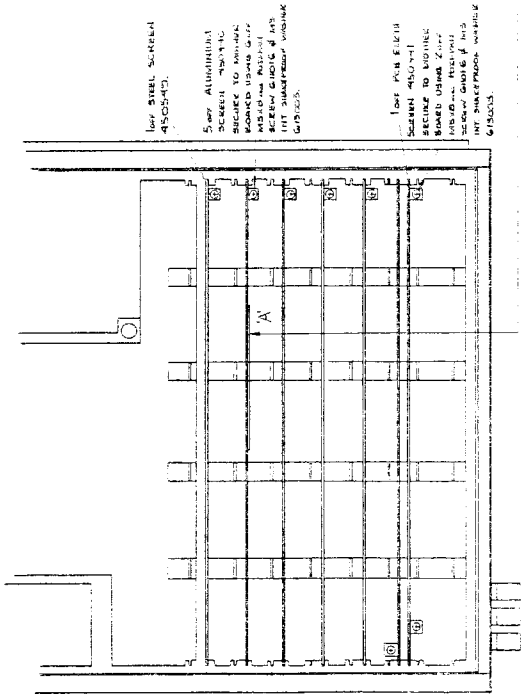
NOTE! IT IS IMPORANT TO KEEP ALL WIRING ON CHASSIS BOARD TO MAXIMUM HEIGHT OF 10mm. MAKE SURE ALL WIRING IS CHECKED TO PLACE THE BOTTOM GUARD SCREEN IN THE CHASSIS WITHOUT ANY WIRING (AS BELOW)



11



12



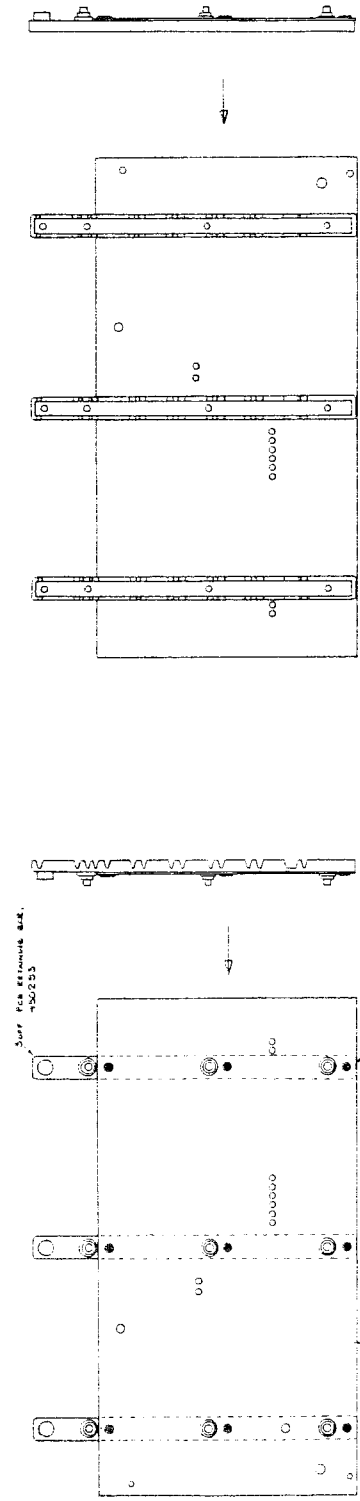
VIEW IN DIRECTION OF ARROW 'A' SHOWING ONLY GUARD SCREEN

### CHASSIS ASSEMBLY

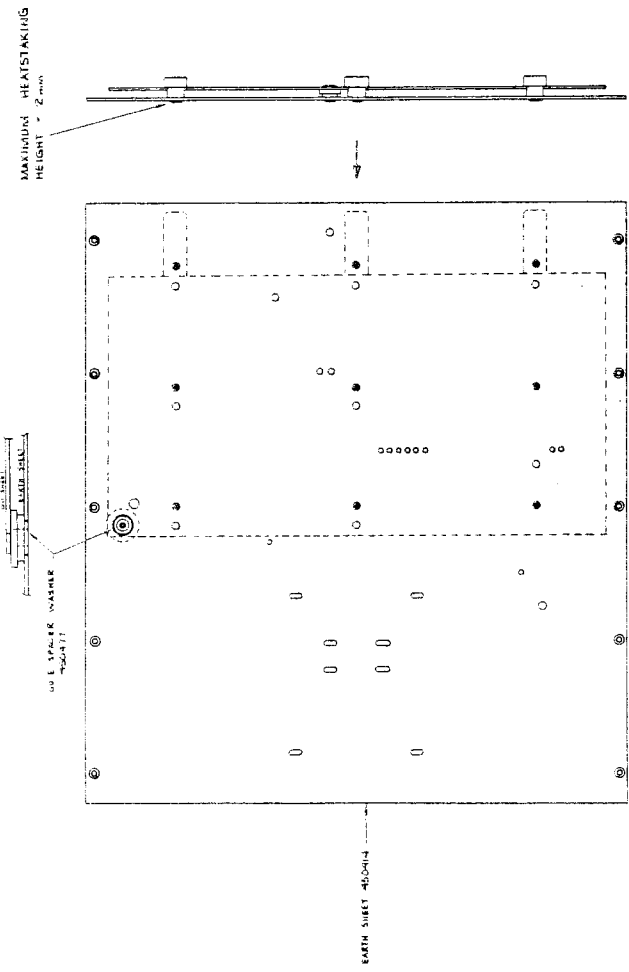
Layout Drawing No. DA400863-1.1

Sheet 6

**CHASSIS ASSEMBLY**



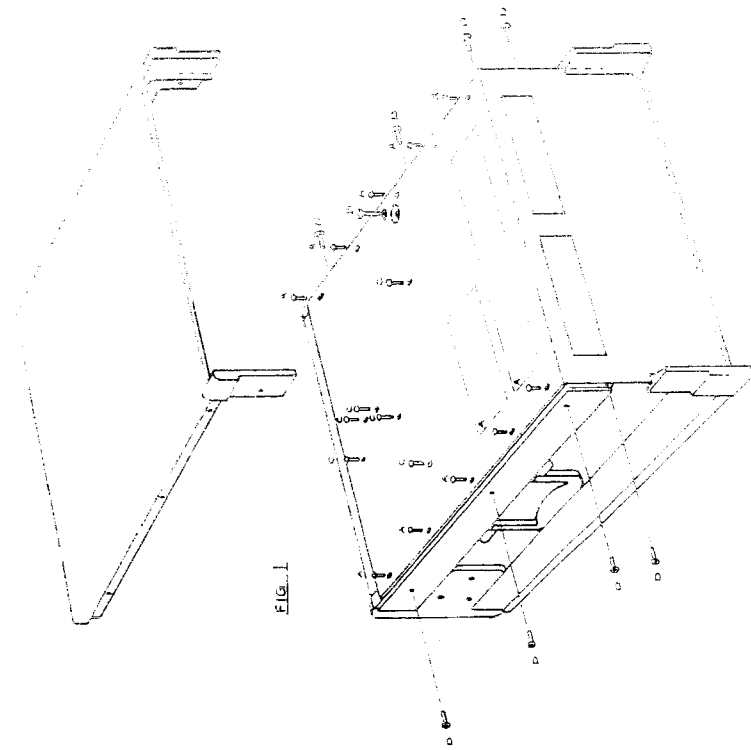
13





**OPTION FITTING INSTRUCTIONS**

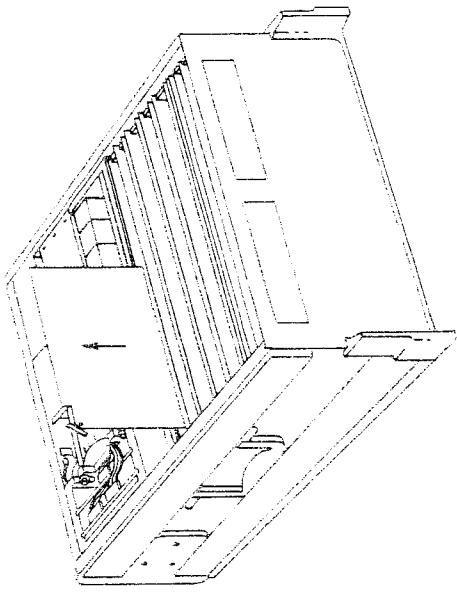
Option 30: Current / Ohms



**CURRENT OHMS OPTION**

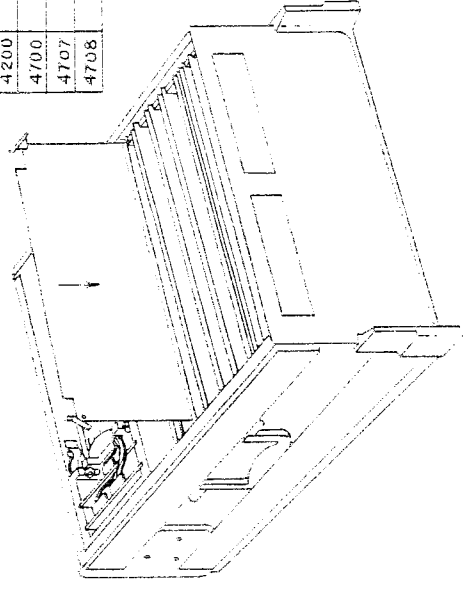
**PROCEDURE:**

- ① REMOVE THE 8 SCREWS WHICH SECURE THE LID IN POSITION. THEN LIFT THE LID OFF. THERE ARE 17 SCREWS TO REMOVE THROUGH THE GUARD SHIELD. CAN BE TAKEN AWAY.
- ② REPLACE THE GUARD SHIELD AND REFIT THE SCREWS IN THE POSITIONS SHOWN IN FIG. 1.
  - A 10 OFF M4 X 6MM POINT CSK SCREWS (GROUP)
  - B 1 OFF M3 X 12MM POINT PAN SCREWS (GROUP)
  - C 6 OFF M3 X 6MM SLOTTED PAN HD SCREW (GROUP)
  - USE M3 SHAKEPROOF WASHER (H) SCREW (B) ONLY.
  - POSITION LID & SECURE WITH:
  - D 8 OFF M4 X 12MM SOCKET HD - CSK SCREW (GROUP)



- ② THE GREY PLASTIC INNER CHASSIS DIVIDES THE INTERNAL SPACE INTO TWO AREAS. THE LAST POSITION IN THE FRONT SECTION CONTAINS A HALF WIDTH PCB WHICH IS FITTED WHEN THE CURRENT OPTION IS NOT REQUIRED.
- ③ REMOVE THE LINK PCB AND REPLACE IT WITH THE CURRENT / OHMS BOARD - SEE TABLE.

INSTR.	OPTION	ASSY N°
4200	30	400555
4700	20	400614
4707	27	400732
4708	30	400867



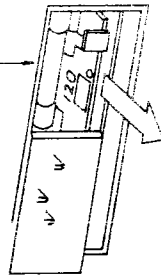
OPTION 80 115V 60HZ KIT OF PARTS 440094

**PROCEDURE:**

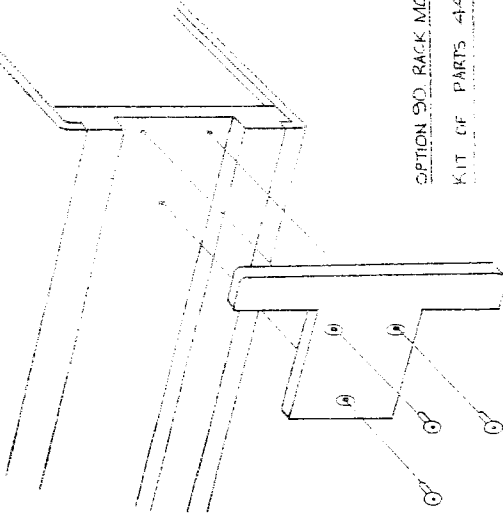
1. CHANGE MAINS FUSE
2. CHANGE VOLTAGE P.C.B.
3. ENSURE THAT CORRECT VOLTAGE AND FREQUENCY ARE STATED ON THE RATING LABEL.
4. ON FINAL CHECK, USE THE INST. INC. CERTIFICATE OF QUALITY CONFORMANCE FORM S3
5. REPLACE FUSE IN SERVICING MANUAL ACCESSORY VALLET WITH 6.25A 250V 1 1/4" SLO-4 FUSE.

CHANGE MAINS FUSE TO:  
 6.25A 250V 1 1/4" SLO-4 FUSE.

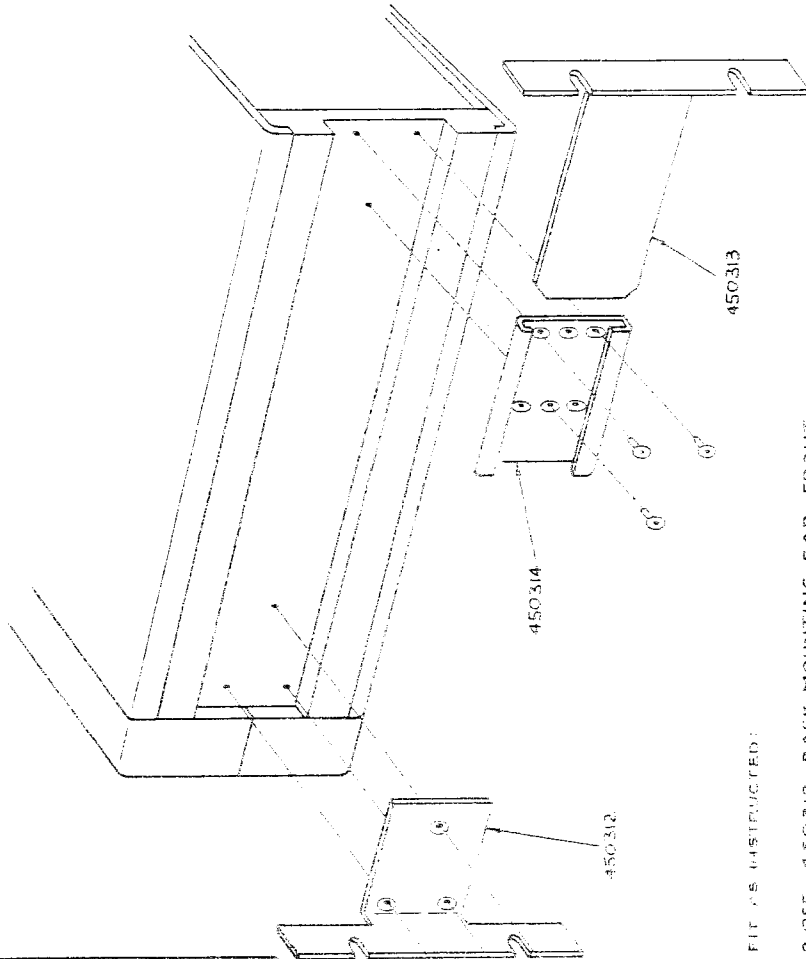
DETAIL FROM  
 REAR PANEL



SLIDE P.C.B FORWARD AND REMOVE FROM MAINS FILTER. INSERT SO THAT 120 IS VISIBLE AS ABOVE.



- 1 REMOVE 1:  
 2 OFF 450300 REAR SPACERS.  
 6 OFF 611038 M4x12mm SOCKET H.D. CSK SCREWS



FIT AS INSTRUCTED:

- 2 OFF 450312 RACK MOUNTING EAR FRONT
- 2 OFF 450313 RACK MOUNTING EAR REAR
- 2 OFF 450314 RACK MOUNTING SLIDE
- 12 OFF 611052 PEEKER SOCKET H.D. CSK SCREWS

**SUITABLE RACK DEPTHS**

PART	DEPTH INCHES	NOTES
450312	4.25	SHORTEN REAR RACK MOUNTING EARS.
450313	2.5 TO 2.9	FIT AS SHOWN BY DRAWING.
450314	2.9 TO 3.12	REVERSE RACK MOUNTING SLIDES TO EXTEND PAST REAR PANEL.

**OPTION FITTING INSTRUCTIONS**

- Option 80: 115V 60Hz
- Option 90: Rack Mounting

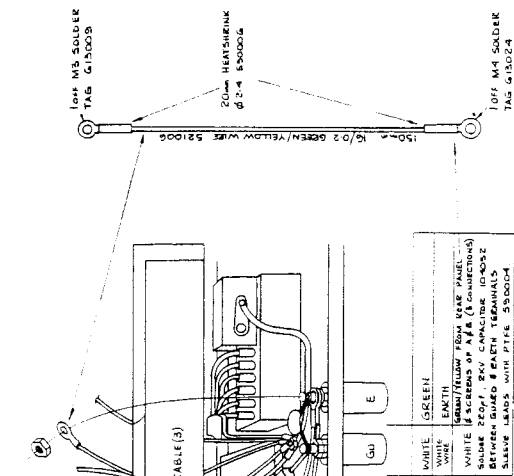
Layout Drawing No. 480603-3.3 Sheet 2





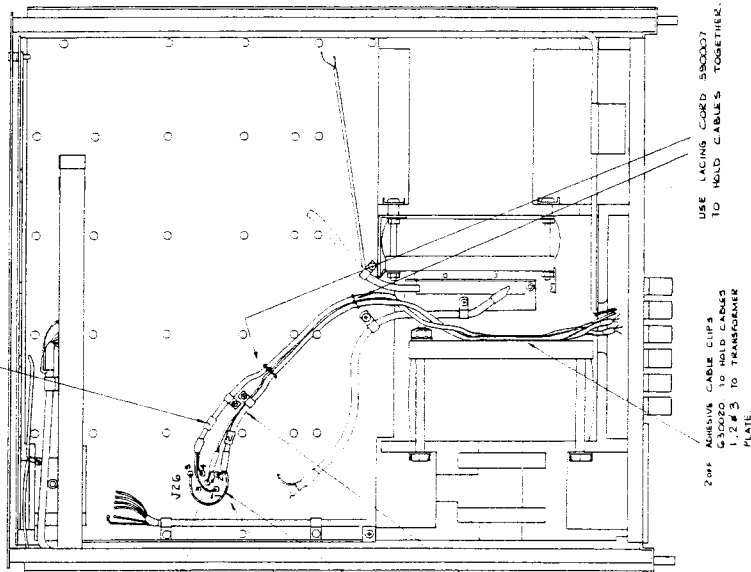
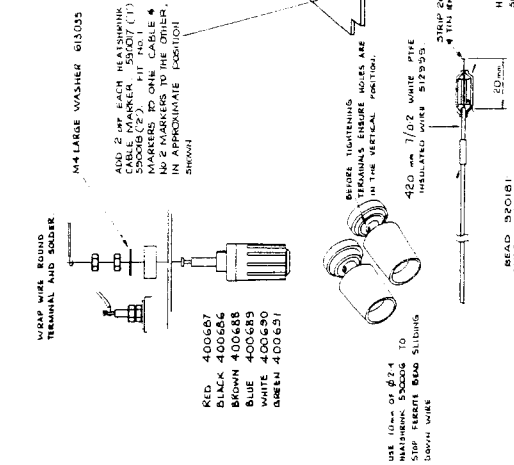
**OPTION FITTING INSTRUCTIONS**  
 Option 42: Rear Output

Layout Drawing No. 480603-3.6 Sheet 4



TERMINAL COLOUR	RED	BLACK	BROWN	BLUE	WHITE	GREEN
WIRE COLOUR	RED	BLUE	RED	BLUE	WHITE	GREEN
Z8P CABLE 400605	2	2	1	1	1	1

HEATSHRINK 20mm Ø of Ø 4.5 HEATSHRINK 20mm Ø OF 20mm Ø WHITE STRIP 20mm STRIP 20mm INSULATED WIRE 512955

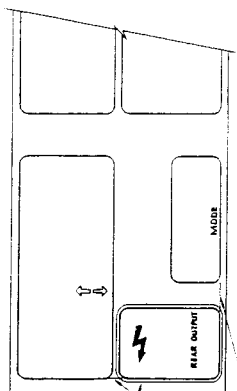


WIRE NO.	WIRE COLOUR	NO. OF WIRE	NO. OF TERMINALS	NO. OF MOORE TERMINALS
1	RED	1	1	1
2	BLUE	1	1	1
3	RED	1	1	1
4	BLUE	1	1	1
5	WHITE	1	1	1

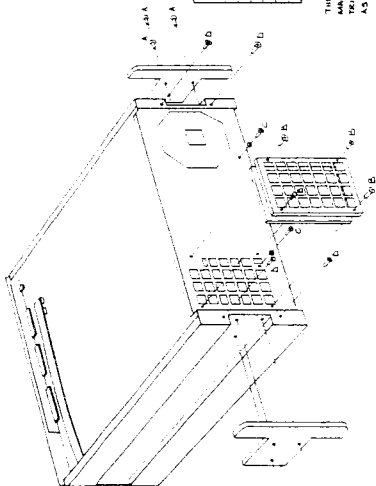
THE WIRING AT J26 HAS BEEN REARRANGED TO SUIT THE NEW TERMINALS TO BE USED AS FAR AS FEASIBLE.

Z8P NO. 7 CLIPS ARE REQUIRED FROM FRONT OF THE CABLES.

STICK ADHESIVE LABEL 450315 ON TO FRONT PANEL OVERLAY AS INDICATED BELOW:



LINE-UP BORDER LINES OF LABEL WITH LINES ON OVERLAY.



- REMOVE:
- A. 6 OFF M4 X 12mm CSK SOCKET HD SCREWS G10304 450300
  - B. 4 OFF R4E SPACERS G10028
  - C. 1 OFF M3 X 10mm POZI-CSK SCREWS 450271 450271 450271
  - D. 2 OFF M3 X 6mm POZI-PAN SCREWS G10004 G10005
  - E. 4 OFF M3 X 8mm TAPTITE POZI-CSK SCREWS G10095
- DISCONNECT CABLES FROM INTERCONNECTION PCB B

WHEN THE REAR PANEL IS AWAY FROM THE CHASSIS REMOVE THE PUSH OUT PLUGS WHICH BLANK THE TERMINAL HOLES, AND FIT TERMINALS.

CONNECT REAR OUTPUT CABLES

FIT 150mm EARTH WIRE (SHOWN ABOVE) TO EARTH SCREW ON REAR PANEL MS SOLDER TAG END. PASS EARTH WIRE AROUND THE BACK OF, AND THEN INTO THE RECESS IN THE CHASSIS. CONNECT THE M4 SOLDER TAG OF EARTH WIRE TO THE EARTH TERMINAL.

SOLDER THE 220µF 2KV CAPACITOR 104032 BETWEEN GUARD & EARTH TERMINALS.

RECONNECT CABLES TO INTERCONNECTION PCB

EASE REAR PANEL BACK INTO PLACE.

REFIT REAR PANEL AS SHOWN IN PREVIOUS STEP.

SOLDER WHITE WIRE TO CLOVERLEAF THEN SECURE WITH 'P' CLIPS

TWIST CABLES 1 & 2 TOGETHER TWO COMPLETE TURNS SOLDER WIRES FROM CABLES 1 & 2 TO CLOVERLEAF TERMINALS. TIE CABLES 1 & 2 TOGETHER USING 590007 SECURE CABLE CUPS 630020. POSITION THE CLIPS PARALLEL TO THE EDGE OF THE TX PLATE AND AS CLOSE TO ITS CENTRE AS POSSIBLE, WITHOUT STRAINING THE CABLE.

REPLACE GUARD SHIELDS & COVERS AS SHOWN IN PREVIOUS STEPS.



DIGITAL PCB ASSY  
 ADJUST S2 TO SUIT  
 OPTION MIX.

SWITCH POSITIONS

BLACK  
 EJECTOR

1 2 3 4 5 6  
 S2 ON OFF

AC 4 DC OPTIONS 4708.

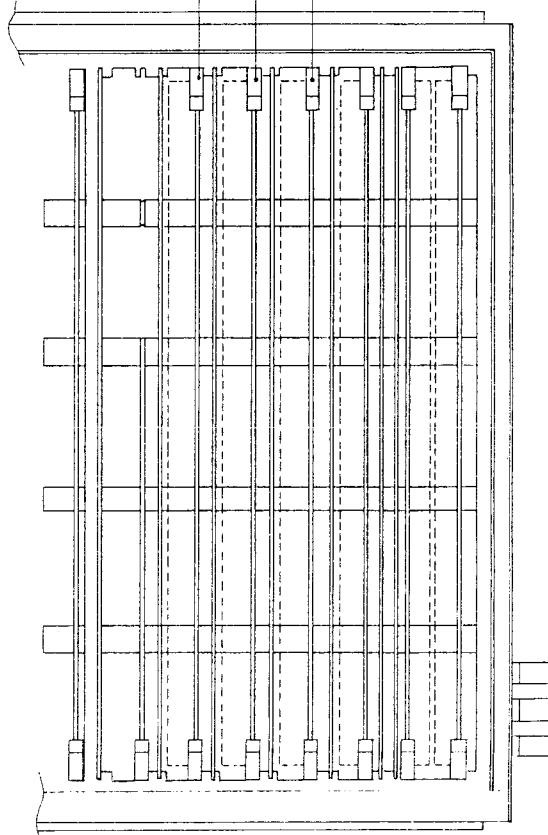
NOTE:  
 CLEAN ALL PCB EDGE CONTACTS WITH CLEANING  
 FLUID 900016 BOTH BEFORE INITIAL ASSEMBLY  
 AND AT FINAL INSTRUMENT FINISHING.

4708

OPTION MIX	S2 POSITIONS					
	1	2	3	4	5	6
DCV	OFF	OFF	ON	ON	ON	OFF
ACV	OFF	OFF	ON	ON	OFF	ON
DCV, DCI, Ω	OFF	OFF	OFF	OFF	ON	OFF
ACV, RCI, Ω	OFF	OFF	OFF	OFF	OFF	ON
DCV, RCU	OFF	OFF	ON	ON	OFF	OFF
DCV, ACV, DCI, RCI, Ω	OFF	OFF	OFF	OFF	OFF	OFF

4700, 4705, 4707

OPTION MIX	S2 POSITIONS					
	1	2	3	4	5	6
I/R	OFF	ON	OFF	OFF	OFF	OFF
1KV	OFF	OFF	ON	ON	OFF	OFF
I/J, 1KV	OFF	OFF	OFF	OFF	OFF	OFF
NO OPTIONS	OFF	ON	ON	ON	ON	OFF



AC OPTION 20  
 400862 AC PCB ASSY

400860 SINE SOURCE  
 PCB ASSY

DC OPTION 10  
 REPLACE 400809 DIP  
 CONTROL PCB ASSY  
 WITH 400861 DC  
 PCB ASSY.

OPTION FITTING INSTRUCTIONS

Option 10: DC Voltage  
 Option 20: AC Voltage  
 Digital Assembly: Switch Positions for Fitted Options  
 Layout Drawing No. 480603-3.1 Sheet 7


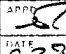


# SECTION 12 4708 COMPONENT LISTS

## Contents

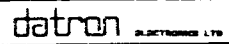
Front Assembly .....	400558
Digital Assembly .....	400796
Analog Interface Assembly .....	400648
Reference Divider Assembly .....	400652
Reference Assembly .....	LP400761
DC Assembly .....	400536
Output Control Assembly .....	LP400909
Sine Source Assembly .....	400446
AC Assembly .....	400844
Current / Ohms Assembly .....	400614
Power Amplifier Assembly .....	400618
Out-guard Power Supply Assembly .....	400561
In-guard Power Supply Assembly .....	400554
±38V Power Supply Assembly .....	400653
Power Amplifier Positive Heatsink Assembly .....	400637
Power Amplifier Negative Heatsink Assembly .....	400539
Power Supply / Current Heatsink Assembly .....	400540
High Voltage Assembly .....	400537
Constant Current Source Assembly .....	400563
Mains (Line) Transformer Assembly .....	400541
L.F. Transformer Assembly .....	400651
H.F. Transformer Assembly .....	400578
Mother Assembly .....	400604
Interconnection Assembly .....	400830
Terminal Board Assembly .....	400640
4700 Instrument Assembly .....	LP400858
Main Assembly .....	LP400859
Chassis Assembly .....	LP400863
Rear Panel Assembly .....	400636
Option Fitting Instructions .....	400603



DRAWING No <b>400558</b>		CHKD				
REV. A.M.		DATE	1.0 12/62 12.28.86 1.1 25/1 11.8.86 1.1 23.8.86 12.2.87 1.1 27.5 1.29.2.88			
		ECO				
		REVISION				
		ISSUE				
DESCR PTION	DRAWING NUMBER	SHEET NUMBER	ISSUE - REVISION			
COMPONENT LAYOUT	480558	1	1.0	1.0		
SCHEMATIC	430558	1	1.0	1.1		
SCHEMATIC	430558	2	1.0	1.1		
FUNCTIONAL TEST PROC.	460558/FT	1-3	1.0	1.1		
FUNCT. TEST TICK LIST	470558/FT	1	1.0	1.1		
PCB	410144	10-0				
NOTES				DPN 11 DATE 14.8.85 CHKD R.K. COGGAN DATE 3/3/85 APPD  DATE 3/3/85	TITLE 4700 FRONT PCB ASSY.	DRAWING No <b>400558</b> SHEET 1 of 11

DESIGNATOR	DATRON PART No.	DESCRIPTION	PRINCIPAL MANUFACTURER	MANUFACTURER'S PART No.	No. USED Per Assy.
R1	000334	330k 5% 1/4W CARBON	MULLARD	CR25	22
R2	000334	" " " "	"	"	-
R3	000334	" " " "	"	"	-
R4	000334	" " " "	"	"	-
R5	000334	" " " "	"	"	-
R6	000334	" " " "	"	"	-
R7	000334	" " " "	"	"	-
R8	000334	" " " "	"	"	-
R9	000334	" " " "	"	"	-
R10	000334	" " " "	"	"	-
R11	000334	" " " "	"	"	-
R12	000334	" " " "	"	"	-
R13	000334	" " " "	"	"	-
R14	000334	" " " "	"	"	-
R15	000334	" " " "	"	"	-
R16	000334	" " " "	"	"	-
R17	000334	" " " "	"	"	-
R18	000334	" " " "	"	"	-
R19	000334	" " " "	"	"	-
R20	000334	" " " "	"	"	-
R21	000334	" " " "	"	"	-
R22	000334	" " " "	"	"	-
R23	000102	1k " " "	"	"	11

NOTES.  
SEE SHEET 1 FOR LATEST ISSUE

DATE	7.6.85		
DRWEN	11		
CHECKED		TITLE	4700 FRONT PCB. ASSY.
APPROVED	R.K. COGGAN	DRAWING NUMBER	400558
DATE	18/6/85	SHEET	2 of 11

DESIGNATOR	DATRON PART No.	DESCRIPTION	PRINCIPAL MANUFACTURER	MANUFACTURER'S PART No.	No. USED Per Assy.
R24	000102	1k 5% 1/3W CARBON	MULLARD	CR25	-
R25	000102	1k " " "	"	"	-
R26	000104	100k* " "	"	"	4
R27	000102	1k " " "	"	"	-
R28	000102	1k " " "	"	"	-
R29	000102	1k " " "	"	"	-
R30	000102	1k " " "	"	"	-
R31	000102	1k " " "	"	"	-
R32	000102	1k " " "	"	"	-
R33	000102	1k " " "	"	"	-
R34	000102	1k " " "	"	"	-
R35	000103	10k " " "	"	"	5
R36	000103	10k " " "	"	"	-
R37	000103	10k " " "	"	"	-
R38	000103	10k " " "	"	"	-
R39	000472	4k7 " " "	"	"	6
R40	000680	68R " " "	"	"	8
R41	000680	68R " " "	"	"	-
R42	000680	68R " " "	"	"	-
R43	000272	2k7 " " "	"	"	18
R44	000272	2k7 " " "	"	"	-
R45	000472	4k7 " " "	"	"	-
R46	000272	2k7 " " "	"	"	-

NOTES.

SEE SHEET 7 FOR LATEST ISSUE

REV	DATE	BY	DESCRIPTION

DATE	<b>datron</b> ELECTRONICS LTD	
DRAWN <input checked="" type="checkbox"/>		
CHECKED	TITLE 4700 FRONT PCB. ASSY.	
APPROVED	DRAWING NUMBER 400558	SHEET 3 OF 11
DATE		

DESIGNATOR	DATRON PART No.	DESCRIPTION	PRINCIPAL MANUFACTURER	MANUFACTURER'S PART No.	No. USED Per Assy.
R47	000182	1k8 5% 1/3W CARBON	MULLARD	CR25	2
R48	000272	2k7 " " "	"	"	-
R49	000272	2k7 " " "	"	"	-
R50	000222	2k2 " " "	"	"	2
R51	000222	2k2 " " "	"	"	-
R52	000272	2k7 " " "	"	"	-
R53	000272	2k7 " " "	"	"	-
R54	000472	4k7 " " "	"	"	-
R55	000272	2k7 " " "	"	"	-
R56	000272	2k7 " " "	"	"	-
R57	000272	2k7 " " "	"	"	-
R58	000182	1k8 " " "	"	"	-
R59	000272	2k7 " " "	"	"	-
R60	000272	2k7 " " "	"	"	-
R61	000272	2k7 " " "	"	"	-
R62	000272	2k7 " " "	"	"	-
R63	000272	2k7 " " "	"	"	-
R64	000272	2k7 " " "	"	"	-
R65	000272	2k7 " " "	"	"	-
R66	000272	2k7 " " "	"	"	-
R67	000680	68R " " "	"	"	-
R68	000680	68R " " "	"	"	-
R69	000680	68R " " "	"	"	-

NOTES.

SEE SHEET 2 FOR LATEST ISSUE

REV	DATE	BY	DESCRIPTION

DATE	<b>datron</b> ELECTRONICS LTD	
DRAWN <input checked="" type="checkbox"/>		
CHECKED	TITLE 4700 FRONT PCB. ASSY.	
APPROVED	DRAWING NUMBER 400558	SHEET 4 OF 11
DATE		

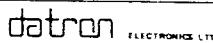


DESIGNATOR	DATRON PART No.	DESCRIPTION	PRINCIPAL MANUFACTURER	MANUFACTURER'S PART No	No. USED Per Assy.
R70	000680	68R 5% 1/3W CARBON	MULLARD	CR25	—
R71	000680	68R " " "	"	"	—
R72	000563	56k " " "	"	"	1
R73, R74, R75	000472	4k7 " " "	"	"	—
R76	000103	10k " " "	"	"	—
R77, R78, R79	000104	100k " " "	"	"	—
AN1, AN2	090017	100k x 7 2% NETWORK	BECKMAN	L08-1- R100k	2
AN3, AN4	090041	4k7 x 7 2% NETWORK	BECKMAN	L08-1- R4k7	2
AN5, AN6	090121	100k x 8 2% NETWORK	BECKMAN	L09-1- R100k	2
C1	150002	10µF 20% 16V DIP TANT	UNION CARBIDE	K10E16	2
C2	104026	47nF <sup>+50</sup> / <sub>-20</sub> % 50V CER DISC	SIEMENS	B37449	3
C3	104026	47nF <sup>+50</sup> / <sub>-20</sub> % 50V CER DISC	SIEMENS	B37449	—
C4	150001	22µF 20% 16V DIP TANT	UNION CARBIDE	K22E16	1
C5	104026	47nF <sup>+50</sup> / <sub>-20</sub> % 50V CER DISC	SIEMENS	B37449	—
C6		NOT USED			—
C7		NOT USED			—
C8	110013	100nF 20% 250V POLYESTER	MULLARD	C280AEP100k	19
C9	110013	" " " "	"	"	—
C10	110013	" " " "	"	"	—
C11	110013	" " " "	"	"	—
C12	110013	" " " "	"	"	—

NOTES.

SEE SHEET 2 FOR LATEST ISSUE

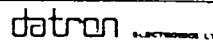
ISS																						
TCO																						
DATE																						
CHKD																						

DATE		 TITLE 4700 FRONT PCB ASSY DRAWING NUMBER 400558	SHEET OF 11 5
DRAWN			
CHECKED			
APPROVED			
DATE			

IGNATOR	DATRON PART No.	DESCRIPTION	PRINCIPAL MANUFACTURER	MANUFACTURER'S PART No	No. USED Per Assy.
	110013	100nF 20% 250V POLYESTER	MULLARD	C280AEP100K	—
	110013	" " " "	"	"	—
	110013	" " " "	"	"	—
	110013	" " " "	"	"	—
	110013	" " " "	"	"	—
	110013	" " " "	"	"	—
	110013	" " " "	"	"	—
	110013	" " " "	"	"	—
	110013	" " " "	"	"	—
	110013	" " " "	"	"	—
	110013	" " " "	"	"	—
	110013	" " " "	"	"	—
	110013	" " " "	"	"	—
	150002	10µF 20% 16V DIP TANT	UNION CARBIDE	K10E16	—
	150016	1µF 20% 35V DIP TANT	UNION CARBIDE	K10B35	1
	200001	75mA 75V GP. SI DIODE	FAIRCHILD	1N4148	18
	200001	" " " "	"	"	—
	200001	" " " "	"	"	—
	200001	" " " "	"	"	—
	200001	" " " "	"	"	—
	200001	" " " "	"	"	—
	200001	" " " "	"	"	—
	200001	" " " "	"	"	—
	200001	" " " "	"	"	—

EN

SHEET 2 FOR LATEST ISSUE


DATE		 TITLE 4700 FRONT PCB ASSY DRAWING NUMBER 400558	SHEET OF 11 6
DRAWN			
CHECKED			
APPROVED			
DATE			

DESIGNATOR	DATRON PART No.	DESCRIPTION	PRINCIPAL MANUFACTURER	MANUFACTURER'S PART No.	No. USED Per Assy
D8	200001	75mA 75V GP SI DIODE	FAIRCHILD	1N4148	—
D9	200001	" " " " "	"	"	—
D10	200001	" " " " "	"	"	—
D11	200001	" " " " "	"	"	—
D12	200001	" " " " "	"	"	—
D13	200001	" " " " "	"	"	—
D14	200001	" " " " "	"	"	—
D15	200001	" " " " "	"	"	—
D16	200001	" " " " "	"	"	—
D17	213005	75V 1/2W ZENER	MOTOROLA	BZX79C75	1
D18	200001	75mA 75V GP SI DIODE	FAIRCHILD	1N4148	—
D19	200001	75mA 75V GP SI DIODE	FAIRCHILD	1N4148	—
D20	213006	5V1 5W ZENER	UNITRODE	TVS 505	1
Q1		NOT USED			—
Q2	240009	SI NPN TRANSISTOR	NATIONAL	MPSL01 / TO18	18
Q3	240009	" " " "	"	"	—
Q4	240009	" " " "	"	"	—
Q5	240009	" " " "	"	"	—
Q6	240009	" " " "	"	"	—
Q7	240009	" " " "	"	"	—
Q8	240009	" " " "	"	"	—

NOTES

SEE SHEET 2 FOR LATEST ISSUE

DATE		<b>datron</b> ELECTRONICS LTD TITLE 4700 FRONT PCB ASSY DRAWING NUMBER 400558 SHEET 7 OF 11
DRAWN		
CHECKED		
APPROVED		
DATE		

DESIGNATOR	DATRON PART No.	DESCRIPTION	PRINCIPAL MANUFACTURER	MANUFACTURER'S PART No.	No. USED Per Assy
Q9	240009	SI NPN TRANSISTOR	NATIONAL	MPSL01 / TO18	—
Q10	250009	SI PNP TRANSISTOR	NATIONAL	2N5401 / TO18	11
Q11	250009	" " " "	"	"	—
Q12	250009	" " " "	"	"	—
Q13	250009	" " " "	"	"	—
Q14	250009	" " " "	"	"	—
Q15	250009	" " " "	"	"	—
Q16	250009	" " " "	"	"	—
Q17	250009	" " " "	"	"	—
Q18	250009	" " " "	"	"	—
Q19	250009	" " " "	"	"	—
Q20	250009	" " " "	"	"	—
Q21	240025	SI NPN TRANSISTOR	"	MPSA13	4
Q22	240025	" " " "	"	"	—
Q23	240025	" " " "	"	"	—
Q24	240025	" " " "	"	"	—
Q25	250011	SI PNP TRANSISTOR	"	BC327 / TO18	8
Q26	250011	" " " "	"	"	—
Q27	250011	" " " "	"	"	—
Q28	250011	" " " "	"	"	—
Q29	250011	" " " "	"	"	—
Q30	250011	" " " "	"	"	—
Q31	250011	" " " "	"	"	—

NOTES

SEE SHEET 2 FOR LATEST ISSUE

DATE		<b>datron</b> ELECTRONICS LTD TITLE 4700 FRONT PCB ASSY DRAWING NUMBER 400558 SHEET 8 OF 11
DRAWN		
CHECKED		
APPROVED		
DATE		

DESIGNATOR	DATRON PART No.	DESCRIPTION	PRINCIPAL MANUFACTURER	MANUFACTURER'S PART No.	No. USED Per Assy.
Q32	250011	SI PNP TRANSISTOR	NATIONAL	BC327/TO18	—
Q33	240009	SI NPN TRANSISTOR	"	MPSL01/TO18	—
Q34	240009	" " "	"	"	—
Q35	240009	" " "	"	"	—
Q36	240009	" " "	"	"	—
Q37	240009	" " "	"	"	—
Q38	240009	" " "	"	"	—
Q39	240009	" " "	"	"	—
Q40	240009	" " "	"	"	—
Q41	240009	" " "	"	"	—
Q42	240009	" " "	"	"	—
M1	280023	QUAD 2-1/P NOR GATE	MOTOROLA	MC14001 BCP	1
M2	260005	5Y 1A REGULATOR	MOTOROLA	MC7805CP	1
M3	280043	4 BIT LATCH/4 TO 16 LINE DECODER	MOTOROLA	MC14515 BCP	1
M4	280090	DUAL BINARY 1 of 4 DECODER	MOTOROLA	MC14555 BCP	1
M5	270071	DUAL 1 of 4 DECODER LS	NATIONAL	DM74LS156N	1
M6	280103	PROGRAMMABLE KEYBOARD/DISP	INTEL	8279-5	1

NOTES.

SEE SHEET 2 FOR LATEST ISSUE

REV	DATE	CHANGED BY

DATE	<b>datron</b> ELECTRONICS LTD TITLE: 4700 FRONT PCB. ASSY DRAWING NUMBER: 400558 SHEET 9 OF 11
DRAWN	
CHECKED	
APPROVED	
DATE	

DESIGNATOR	DATRON PART No.	DESCRIPTION	PRINCIPAL MANUFACTURER	MANUFACTURER'S PART No.	No. USED Per Assy.
S1-S27	700079	KEYBOARD x 1/2 SWITCH BLACK	NSF	K12/HALF KEY BLACK	28
S29-S43	700061	KEYBOARD SWITCH RED LED	SCHADOW	SRL-RED LED	25
S23, S44, S45	700062	KEYBOARD SWITCH GREEN LED	SCHADOW	SRL-GREEN LED	3
S46-S55	700061	KEYBOARD SWITCH RED LED	SCHADOW	SRL-RED LED	—
S56	700079	KEYBOARD x 1/2 SWITCH BLACK	NSF	K12/HALF KEY BLACK	—
	410144-10	PCB			1
J1	604060	24+24 WAY .1" PCB PLUG GOLD	AMP	2-825440-4	3
	605098	40 PIN DIL LOW PROFILE SKT	CAMBION	703-4340-01-06-00	1
	605060	14 WAY DIL " " "			1
	605061	16 WAY DIL " " "			2
	605097	24 WAY DIL " " "	CAMBION	703-4324-01-06-00	1
	612023	STANDOFF M2.5 x 1/16 BRASS 1/8" H	CAMBION	350-5181-22-07	2
	800017-3	8 1/2 DIGIT DISPLAY WITH LEGEND	DALE	SEE DRG	2
	920096	BUZZER PIEZOELECTRIC	TOKO	PB 2720	1
	620003	SOLDER PCB TERMINAL LUG	HARWIN	H2105A	2

NOTES.

SEE SHEET 2 FOR LATEST ISSUE

REV	DATE	CHANGED BY

DATE	<b>datron</b> ELECTRONICS LTD TITLE: 4700 FRONT PCB. ASSY DRAWING NUMBER: 400558 SHEET 10 OF 11
DRAWN	
CHECKED	
APPROVED	
DATE	



DRAWING No. 400796	CHKD	25 NOV 87
DE WM	DATE	25 NOV 87
	ECC	2858 @ 6.88 14
	REVISION ISSUE	1-0

DESCRIPTION	DRAWING NUMBER	SHEET NUMBER	ISSUE / REVISION
COMPONENT LAYOUT	480796	1	A 1.0
SCHEMATIC	430796	1	A 1.0
SCHEMATIC	430796	2	A 1.0
SCHEMATIC	430796	3	A 1.0
SCHEMATIC	430796	4	A 1.0
SCHEMATIC	430796	5	A 1.0
FUNCTIONAL TEST PROC.	460796/FT	1-7	W/R
FUNC. TEST TICK LIST	470796/FT	1	M/S
PCB	410248	1	3 4

NOTES <input type="checkbox"/> DENOTES NO CHANGE TO DOCS AT ISSUE LEVEL CHANGE N/R ? NOT RELEASED.	<b>datron</b> ELECTRONICS LTD BORWICH ENGLAND	CHKD DATE 25 NOV 87	DATE 7 JAN 88	APPROV DATE 25 NOV 88	TITLE CALIBRATOR DIGITAL PCB ASSY.	DRAWING No. 400796 SHEET 1 of 12
--	---	---------------------------	------------------	-----------------------------	--	--

DESIGNATOR	DATRON PART No.	DESCRIPTION	PRINCIPAL MANUFACTURER	MANUFACTURER'S PART No.	No. USED Per Assy.
R1		NOT USED			
R2	000472	4k7 5% 1/4W C/P RES	MULLARD	CR25	11
R3	000472	4k7 " " "	"	"	-
R4	000472	4k7 " " "	"	"	-
R5	000472	4k7 " " "	"	"	-
R6	000103	10k " " "	"	"	5
R7	000104	100k " " "	"	"	9
R8	000122	1k2 " " "	"	"	2
R9	000104	100k " " "	"	"	-
R10	000104	100k " " "	"	"	-
R11	000103	10k " " "	"	"	-
R12	000472	4k7 " " "	"	"	-
R13	000472	4k7 " " "	"	"	-
R14	000561	560R " " "	"	"	2
R15	000104	100k " " "	"	"	-
R16	000182	1k8 " " "	"	"	1
R17	014751	4k75 1% 1/8W 50ppm MF	HOLCO	H8C	1
R18	000122	1k2 5% 1/4W CARBON	MULLARD	CR25	-
R19	012491	2k49 1% 1/8W 50ppm MF	HOLCO	H8C	1
R20	000102	1k 5% 1/4W CARBON	MULLARD	CR25	22
R21	000472	4k7 " " "	"	"	-
R22	000223	22k " " "	"	"	1
R23	000103	10k " " "	"	"	-

NOTES:	DATE	<b>datron</b> ELECTRONICS LTD
SEE SHEET 1 FOR LATEST ISSUE	DRAWN	TITLE CALIBRATOR DIGITAL PCB ASSY
	CHECKED	DRAWING NUMBER 400796
	APPROVED	SHEET 2 OF 12
	DATE	

DESIGNATOR	DATRON PART No	DESCRIPTION	PRINCIPAL MANUFACTURER	MANUFACTURER'S PART No	No. USED Per Assy
R24	000332	3k3 5% 1/4W CARBON	MULLARD	CR25	2
R25	011002	10k0 1% 1/8W 50ppm MF	HOLCO	H8C	2
R26	000104	100k 5% 1/4W CARBON	MULLARD	CR25	—
R27	011002	10k0 1% 1/8W 50ppm MF	HOLCO	H8C	—
R28	000471	470R 5% 1/4W CARBON	MULLARD	CR25	3
R29	000104	100k " " "	"	"	—
R30	000472	4k7 " " "	"	"	—
R31	000102	1k " " "	"	"	—
R32	000104	100k " " "	"	"	—
R33	000102	1k " " "	"	"	—
R34	000102	1k " " "	"	"	—
R35	000102	1k " " "	"	"	—
R36	000102	1k " " "	"	"	—
R37	000102	1k " " "	"	"	—
R38	000102	1k " " "	"	"	—
R39	000102	1k " " "	"	"	—
R40	000102	1k " " "	"	"	—
R41	000102	1k " " "	"	"	—
R42	000103	10k " " "	"	"	—
R43	000102	1k " " "	"	"	—
R44	000102	1k " " "	"	"	—
R45	000102	1k " " "	"	"	—
R46	000102	1k " " "	"	"	—

NOTES

DATE
DRAWN
CHECKED
APPROVED
DATE

datron ELECTRONICS LTD	
TITLE CALIBRATOR DIGITAL PCB. ASSY	
DRAWING NUMBER 400796	SHEET 3 OF 12

SLE SHEET 2 FOR LATEST ISSUE

REV	DATE	BY	REASON	REV	DATE	BY	REASON	REV	DATE	BY	REASON	REV	DATE	BY	REASON

DESIGNATOR	DATRON PART No	DESCRIPTION	PRINCIPAL MANUFACTURER	MANUFACTURER'S PART No	No. USED Per Assy
R47	000102	1k 5% 1/4W CARBON	MULLARD	CR25	—
R48	000102	1k " " "	"	"	—
R49	000102	1k " " "	"	"	—
R50	000102	1k " " "	"	"	—
R51	000102	1k " " "	"	"	—
R52	000472	4k7 " " "	"	"	—
R53	000104	100k " " "	"	"	—
R54	000104	100k " " "	"	"	—
R55	000103	10k " " "	"	"	—
R56	000471	470R " " "	"	"	—
R57	000471	470R " " "	"	"	—
R58	000102	1k " " "	"	"	—
R59	000391	390R " " "	"	"	1
R60	000472	4k7 " " "	"	"	—
R61	000472	4k7 " " "	"	"	—
R62	000561	560R " " "	"	"	—
R63		NOT USED			—
R64	000332	3k3 " " "	"	"	—
R65	000102	1k " " "	"	"	—
R66	000222	2k2 " " "	"	"	3
R67	000222	2k2 " " "	"	"	—
R68	000222	2k2 " " "	"	"	—

NOTES

SLE SHEET 2 FOR LATEST ISSUE

REV	DATE	BY	REASON	REV	DATE	BY	REASON	REV	DATE	BY	REASON	REV	DATE	BY	REASON

DATE
DRAWN
CHECKED
APPROVED
DATE

datron ELECTRONICS LTD	
TITLE CALIBRATOR DIGITAL PCB. ASSY	
DRAWING NUMBER 400796	SHEET 4 OF 12

DESIGNATOR	DATRON PART No	DESCRIPTION	PRINCIPAL MANUFACTURER	MANUFACTURER'S PART No	No. USED Per Assy
AN1		NOT USED			-
AN2	090017	100k x7 2% NETWORK	BECKMAN	764-1-R100k	1
AN3	090046	10k x7 2% NETWORK	BECKMAN	764-1-R10k	2
AN4	090046	10k x7 2% NETWORK	BECKMAN	764-1-R10k	-
AN5	090085	12k x8 2% NETWORK	AB	761-3-12k	1
AN6	090177	3k3 x8 2% NETWORK	AB	870-91-3k3	1
C1	150002	10μF 20% 16V DIP TANT	UNION CARBIDE	K10E16	11
C2	150002	10μF 20% 16V DIP TANT	UNION CARBIDE	K10E16	-

NOTES

SEE SHEET 2 FOR LATEST ISSUE

ISS	REV	DATE	BY

DATE		<b>datron</b> ELECTRONICS LTD
DRAWN	11	
CHECKED		TITLE
APPROVED		CALIBRATOR
DATE		DIGITAL PCB ASSY
		DRAWING NUMBER 400796
		SHEET 5 OF 12

DESIGNATOR	DATRON PART No	DESCRIPTION	PRINCIPAL MANUFACTURER	MANUFACTURER'S PART No	No. USED Per Assy
C3	104026	47nF <sup>+50%</sup> / <sub>-20%</sub> 50V CER DISC	SIEMENS	B37449	14
C4	104026	47nF <sup>+50%</sup> / <sub>-20%</sub> 50V CER DISC	SIEMENS	B37449	-
C5	104026	47nF <sup>+50%</sup> / <sub>-20%</sub> 50V CER DISC	SIEMENS	B37449	-
C6	104026	47nF <sup>+50%</sup> / <sub>-20%</sub> 50V CER DISC	SIEMENS	B37449	-
C7	102681	680pF 10% 500V CER DISC	ITT	CD10	1
C8	150016	1μF 20% 35V DIP TANT.	UNION CARBIDE	K1R035	3
C9	104026	47nF <sup>+50%</sup> / <sub>-20%</sub> 50V CER DISC	SIEMENS	B37449	-
C10	150002	10μF 20% 16V DIP TANT.	UNION CARBIDE	K10E16	-
C11	104026	47nF <sup>+50%</sup> / <sub>-20%</sub> 50V CER DISC	SIEMENS	B37449	-
C12	150002	10μF 20% 16V DIP TANT.	UNION CARBIDE	K10E16	-
C13	150002	10μF 20% 16V DIP TANT.	UNION CARBIDE	K10E16	-
C14	104026	47nF <sup>+50%</sup> / <sub>-20%</sub> 50V CER DISC	SIEMENS	B37449	-
C15	150002	10μF 20% 16V DIP TANT.	UNION CARBIDE	K10E16	-
C16	102102	1nF 10% 500V CER DISC	ITT	CD10	1
C17	150002	10μF 20% 16V DIP TANT.	UNION CARBIDE	K10E16	-
C18	150016	1μF 20% 35V DIP TANT.	UNION CARBIDE	K1R035	-
C19	104026	47nF <sup>+50%</sup> / <sub>-20%</sub> 50V CER DISC	SIEMENS	B37449	-
C20	104026	47nF <sup>+50%</sup> / <sub>-20%</sub> 50V CER DISC	SIEMENS	B37449	-
C21	150002	10μF 20% 16V DIP TANT.	UNION CARBIDE	K10E16	-
C22	104026	47nF <sup>+50%</sup> / <sub>-20%</sub> 50V CER DISC	SIEMENS	B37449	-
C23	104026	47nF <sup>+50%</sup> / <sub>-20%</sub> 50V CER DISC	SIEMENS	B37449	-
C24	150002	10μF 20% 16V DIP TANT	UNION CARBIDE	K10E16	-
C25	104026	47nF <sup>+50%</sup> / <sub>-20%</sub> 50V CER DISC	SIEMENS	B37449	-

NOTES

SEE SHEET 2 FOR LATEST ISSUE

ISS	REV	DATE	BY

DATE		<b>datron</b> ELECTRONICS LTD
DRAWN	11	
CHECKED		TITLE
APPROVED		CALIBRATOR
DATE		DIGITAL PCB ASSY
		DRAWING NUMBER 400796
		SHEET 6 OF 12

DESIGNATOR	DATRON PART No.	DESCRIPTION	PRINCIPAL MANUFACTURER	MANUFACTURER'S PART No.	No. USED Per Assy
C26	101103	10nF 25% 250V CER DISC	ITT	CD10	3
C27	104026	47nF $\pm 50\%$ 50V CER DISC	SIEMENS	B37449	-
C28	150006	1uF 20% 16V DIP TANT	UNION CARBIDE	K47E16	1
C29	150016	1uF 20% 35V DIP TANT	UNION CARBIDE	K1R035	-
C30	150024	17uF 20% 16V DIP TANT	UNION CARBIDE	K47E16	1
C31	101103	10nF 25% 250V CER DISC	ITT	CD10	-
C32	104026	47nF $\pm 50\%$ 50V CER DISC	SIEMENS	B37449	-
C33	150002	10uF 20% 16V DIP TANT	UNION CARBIDE	K10E16	-
C34	150002	10uF 20% 16V DIP TANT	UNION CARBIDE	K10E16	-
C35	101103	10nF 25% 250V CER DISC	ITT	CD10	-
C36	100560	56pF 2% 100V CER PLATE	PHILIPS/MULLARD	2222 683 34509	1
D1	200001	75mA 75V GP Si DIODE	FAIRCHILD	IN4148	6
D2	200001	75mA 75V GP Si DIODE	FAIRCHILD	IN4148	-
D3	200001	75mA 75V GP Si DIODE	FAIRCHILD	IN4148	-
D4	200001	75mA 75V GP Si DIODE	FAIRCHILD	IN4148	-
D5	210047	4V7 400mw ZENER	MULLARD	BZY88C4V7	1
D6	214012	2V45 30ppm ZENER	FERRANTI	ZN458	1
D7	220010	Si HOT CARRIER DIODE	H.P.	HSCH1001/IN6263	1
D8	200001	75mA 75V GP Si DIODE	FAIRCHILD	IN4148	-
D9	200001	75mA 75V GP Si DIODE	FAIRCHILD	IN4148	-

NOTES:

SEE SHEET 2 FOR LATEST ISSUE

DATE		<b>datron</b> ELECTRONICS LTD <b>CALIBRATOR DIGITAL PCB ASSY</b>
DRAWN		
CHECKED		
APPROVED		
DATE		DRAWING NUMBER 400796 SHEET 7 OF 12

DESIGNATOR	DATRON PART No.	DESCRIPTION	PRINCIPAL MANUFACTURER	MANUFACTURER'S PART No.	No. USED Per Assy
D10	213006	5V SW ZENER	UNITRODE	TVS 505	1
Q1	240001	Si NPN TRANSISTOR	NATIONAL	BC184/TO18	2
Q2	240001	Si NPN TRANSISTOR	NATIONAL	BC184/TO18	-
Q3	230031	N-CHAN DUAL JFET	TELEDYNE	SU2656M	1

NOTES:

SEE SHEET 2 FOR LATEST ISSUE

DATE		<b>datron</b> ELECTRONICS LTD <b>CALIBRATOR DIGITAL PCB ASSY</b>
DRAWN		
CHECKED		
APPROVED		
DATE		DRAWING NUMBER 400796 SHEET 8 OF 12







DRAWING No. <b>400648</b>		CHK D		1.0 2162 4.3.86/ME				
<b>SIWM</b>		DATE		1.1 2195 8.4.86/ME				
		ECO		1.2 2212 21.4.86/ME				
		REVISION		1.3 2265 3.6.86/ME				
		ISSUE		1.4 2286 2.2.87/ME				
				1.5 2640 19.8.87/ME				
				1.6 2751 29.1.99/AC				
				1.7 3060 6.10.88/AF				

DESCRIPTION	DRAWING NUMBER	SHEET NUMBER	ISSUE	REVISION	ISSUE	REVISION	ISSUE	REVISION	ISSUE	REVISION
COMP. LAYOUT.	480648	1	1.0	1.1	1.1	1.1	1.1	1.1	1.1	1.1
			1.1	1.1	1.1	1.1	1.1	1.1	1.1	1.1
SCHEMATIC	430648	1	1.0	1.0	1.0	1.0	1.0	1.0	1.0	1.0
SCHEMATIC	430648	2	1.0	1.0	1.0	1.0	1.0	1.0	1.0	1.0
SCHEMATIC	430648	3	1.0	1.0	1.0	1.0	1.0	1.0	1.0	1.0
SCHEMATIC	430648	4	1.0	1.0	1.0	1.0	1.0	1.0	1.0	1.0
			1.1	1.1	1.1	1.1	1.1	1.1	1.1	1.1
FUNCTIONAL TEST PROC.	460648/FT		1.0							
FUNCT. TEST TICK LIST	470648/FT	1	1.0	1.1	1.1	1.1	1.1	1.1	1.1	1.1
PCB	410264	1	1.0							

INDICATES NO CHANGE TO DOCS AT ISSUE LEVEL CHANGE	<b>datron</b> <small>INSTRUMENTS NORTHWICH ENGLAND</small>	DRN B. JACKSON DATE 9/1/86	CHK D R. COGGAN DATE 10/3/86	APPR <i>JST</i> DATE 11.7.94	TITLE 4700 ANALOG. INTERFACE ASSY	DRAWING No. 400648 SHEET 1 OF 9
---	---	-------------------------------	---------------------------------	---------------------------------	-----------------------------------	------------------------------------

DESIGNATOR	DATRON PART No	DESCRIPTION	PRINCIPAL MANUFACTURER	MANUFACTURER'S PART No	No. USED Per Assy.
R1	008031	100R 5% 1.6 W MF	MULLARD	PR37	2
R2	000472	4K7 5% 1/4W CARBON	MULLARD	CR25	8
R3	000472	4K7 5% 1/4W CARBON	MULLARD	CR25	-
R4	000472	4K7 5% 1/4W CARBON	MULLARD	CR25	-
R5	000472	4K7 5% 1/4W CARBON	MULLARD	CR25	-
R6	000472	4K7 5% 1/4W CARBON	MULLARD	CR25	-
R7	000474	470k 5% 1/4W CARBON	MULLARD	CR25	2
R8	000472	4K7 5% 1/4W CARBON	MULLARD	CR25	-
R9	000273	27K 5% 1/4W CARBON	MULLARD	CR25	1
R10	000474	470k 5% 1/4W CARBON	MULLARD	CR25	-
R11	011212	12K1 1% 1/8W 50ppm MF	HOLCO	H8C	1
R12	012492	24K9 1% 1/8W 50ppm MF	HOLCO	H8C	1
R13	000153	15K 5% 1/4W CARBON	MULLARD	CR25	1
R14	000471	470R 5% 1/4W CARBON	MULLARD	CR25	8
R15	008031	100R 5% 1.6 W MF	MULLARD	PR37	-
R16	000104	100k 5% 1/4W CARBON	MULLARD	CR25	1
R17		NOT USED			-
R18		NOT USED			-
R19	000821	820R 5% 1/4W CARBON	MULLARD	CR25	1
R20	000471	470R 5% 1/4W CARBON	MULLARD	CR25	-
R21	000471	470R 5% 1/4W CARBON	MULLARD	CR25	-
R22	000471	470R 5% 1/4W CARBON	MULLARD	CR25	-
R23	000471	470R 5% 1/4W CARBON	MULLARD	CR25	-

NOTES:

SEE SHEET 1 FOR LATEST ISSUE

DATE 9/1/86 DRAWN <i>JST</i> CHECK <i>R3C</i> APPROVED <i>JST</i> DATE 9/1/86	<b>datron</b> ELECTRONICS LTD TITLE 4700. ANALOG INTERFACE PCB ASSY.	DRAWING NUMBER 400648 SHEET 2 OF 9
---	---	---------------------------------------

DESIGNATOR	DATRON PART No.	DESCRIPTION	PRINCIPAL MANUFACTURER	MANUFACTURER'S PART No.	No. USED Per Assy.
R24	000471	470R 5% 1/4W CARBON	MULLARD	CR25	-
R25	000331	330R 5% 1/4W CARBON	MULLARD	CR25	1
R26	000471	470R 5% 1/4W CARBON	MULLARD	CR25	-
R27	000102	1K 5% 1/4W CARBON	MULLARD	CR25	2
R28	000102	1K 5% 1/4W CARBON	MULLARD	CR25	-
R29	000561	560R 5% 1/4W CARBON	MULLARD	CR25	4
R30	000561	560R 5% 1/4W CARBON	MULLARD	CR25	-
R31	000561	560R 5% 1/4W CARBON	MULLARD	CR25	-
R32	000561	560R 5% 1/4W CARBON	MULLARD	CR25	-
R33	000103	10K 5% 1/4W CARBON	MULLARD	CR25	1
R34	000154	150K 5% 1/4W CARBON	MULLARD	CR25	1
R35	000472	4K7 5% 1/4W CARBON	MULLARD	CR25	-
R36	000471	470R 5% 1/4W CARBON	MULLARD	CR25	-
R37	000472	4K7 5% 1/4W CARBON	MULLARD	CR25	-
AN1	090079	5K6 x 8 2% NETWORK	AB	850-91-5K6	2
AN2	090079	5K6 x 8 2% NETWORK	AB	850-91-5K6	-

NOTES.

SEE SHEET 2 FOR LATEST ISSUE

DATE	9/1/86	datron ELECTRONICS LTD	
DRAWN	JFA		TITLE
CHECKED		APPROVED	
DATE		DRAWING NUMBER	400648
		SHEET	3 OF 9

DESIGNATOR	DATRON PART No.	DESCRIPTION	PRINCIPAL MANUFACTURER	MANUFACTURER'S PART No.	No. USED Per Assy.
C1	104026	47nF ±50% 50V CER DISC	SIEMENS	B37449	46
C2	104026	47nF " " " "	"	"	-
C3	104026	47nF " " " "	"	"	-
C4	104026	47nF " " " "	"	"	-
C5	104026	47nF " " " "	"	"	-
C6	104026	47nF " " " "	"	"	-
C7	104026	47nF " " " "	"	"	-
C8	104026	47nF " " " "	"	"	-
C9	100221	220pF 2% 100V CER PLATE	MULLARD	2222 683 221	1
C10	100272	2n7F 10% 100V CER PLATE	MULLARD	2222 630 19272	1
C11	104026	47nF ±50% 50V CER DISC	SIEMENS	B37449	-
C12	104026	47nF " " " "	"	"	-
C13	104026	47nF " " " "	"	"	-
C14	104026	47nF " " " "	"	"	-
C15	104026	47nF " " " "	"	"	-
C16	104026	47nF " " " "	"	"	-
C17	104026	47nF " " " "	"	"	-
C18	104026	47nF " " " "	"	"	-
C19	104026	47nF " " " "	"	"	-
C20	104026	47nF " " " "	"	"	-
C21	104026	47nF " " " "	"	"	-
C22	104026	47nF " " " "	"	"	-
C23	104026	47nF " " " "	"	"	-

NOTES.

SEE SHEET 2 FOR LATEST ISSUE

DATE	9/1/86	datron ELECTRONICS LTD	
DRAWN	JFA		TITLE
CHECKED		APPROVED	
DATE		DRAWING NUMBER	400648
		SHEET	4 OF 9

DESIGNATOR	DATRON PART No	DESCRIPTION	PRINCIPAL MANUFACTURER	MANUFACTURER'S PART No	No. USED Per Assy.
C24	104026	47nF $\pm 50\%$ 50V CER DISC	SIEMENS	B37449	-
C25	104026	" " " " " " "	"	"	-
C26	104026	" " " " " " "	"	"	-
C27	104026	" " " " " " "	"	"	-
C28	104026	" " " " " " "	"	"	-
C29	150016	1 $\mu$ F 20% 35V DIP TANT	UNION CARBIDE	KIROE35	2
C30	100182	1nBF 10% 100V CER PLATE	MULLARD	2222 630 19182	1
C31	100331	330pF 2% 100V CER PLATE	MULLARD	2222 681 331	2
C32	150012	100nF 20% 35V DIP TANT	UNION CARBIDE	KR10E35	1
C33	104026	47nF $\pm 50\%$ 50V CER. DISC	SIEMENS	B37449	-
C34	104026	" " " " " " "	"	"	-
C35	104026	" " " " " " "	"	"	-
C36	104026	" " " " " " "	"	"	-
C37	104026	" " " " " " "	"	"	-
C38	104026	" " " " " " "	"	"	-
C39	102220	22pF 5% 500V CER DISC	ITT	CD10	1
C40	102330	33pF 5% 500V CER DISC	ITT	CD10	1
C41	104026	47nF $\pm 50\%$ 50V CER DISC	SIEMENS	B37449	-
C42	104026	" " " " " " "	"	"	-
C43	104026	" " " " " " "	"	"	-
C44	104026	" " " " " " "	"	"	-
C45	104026	" " " " " " "	"	"	-
C46	104026	" " " " " " "	"	"	-

NOTES

SEE SHEET 2 FOR LATEST ISSUE

ISS																				
ECO																				
DATE																				
CHG																				

DATE	9/1/86	datron ELECTRONICS LTD	
DRAWN	JFB	TITLE	
CHECKED		4700. ANALOG INTERFACE PCB ASSY.	
APPROVED		DRAWING NUMBER	SHEET
DATE		400648	5 OF 9

DESIGNATOR	DATRON PART No	DESCRIPTION	PRINCIPAL MANUFACTURER	MANUFACTURER'S PART No	No. USED Per Assy.
C47	150024	47 $\mu$ F 20% 16V DIP TANT	UNION CARBIDE	K47E16	1
C48, 51	104026	47nF $\pm 50\%$ 50V CER DISC	SIEMENS	B37449	-
C49, 52-55, 61	104026	47nF $\pm 50\%$ 50V CER DISC	SIEMENS	B37449	-
C50	100331	330pF 2% 100V CER PLATE	MULLARD	2222 681 331	-
C53	110042	100nF 20% 63V POLYESTER	WIMA	MKS2	1
C60	150016	1 $\mu$ F 20% 35V DIP TANT	UNION CARBIDE	KIROE35	-
C62	104041	10nF 25% 250V CER DISC	STC	CD10	1
D1	200001	75mA 75v GP Si DIODE	FAIRCHILD	IN4148	2
D2	200001	75mA 75v GP Si DIODE	FAIRCHILD	IN4148	-
Q1	240014	SI NPN TRANSISTOR	NATIONAL	BC337	1
M1	270050	HEX INVERTER LS	NATIONAL	DM74LS04N	1
M2	280008	QUAD 2 1/P 'NAND' GATE	MOTOROLA	MC14011BCP	1
M3	280011	DUAL D FLIP-FLOP	MOTOROLA	MC14013BCP	2
M4	280059	DUAL BINARY UP COUNTER	MOTOROLA	MC14520BCP	1
M5	280037	HEX BUFFER	MOTOROLA	MC14050BCP	1
M6	270048	QUAD 2 1/P 'NAND' LS	NATIONAL	DM74LS00N	2
M7	270072	QUAD 2 1/P 'NOR' LS	NATIONAL	DM74LS02N	2
M8	270002	QUAD 2 1/P O/C NAND	NATIONAL	DM7401N	2
M9	270094	DUAL LINE RECEIVER	TEXAS	SN75182N	1
M10	270076	DUAL MONOSTABLE LS	NATIONAL	DM74LS123N	1
M11	270095	DUAL DECADE COUNTER	NATIONAL	DM74LS390N	2

NOTES

SEE SHEET 2 FOR LATEST ISSUE

ISS																				
ECO																				
DATE																				
CHG																				

DATE	9/1/86	datron ELECTRONICS LTD	
DRAWN	JFB	TITLE	
CHECKED		4700. ANALOG INTERFACE PCB ASSY.	
APPROVED		DRAWING NUMBER	SHEET
DATE		400648	6 OF 9

REF. DES.	PART NO.	DESCRIPTION	MANUFACTURER	QUANTITY	REMARKS
M14	270075	DUAL D FLIP-FLOP LS	NATIONAL	1	DM74LS24N
M15	280095	4BIT SYNC BINARY COUNTER	MULLARD	8	HEF40163BP
M16	280095	4BIT SYNC BINARY COUNTER	MULLARD	1	HEF40163BP
M17	280095	4BIT SYNC BINARY COUNTER	MULLARD	1	HEF40163BP
M18	270096	DUAL 4 TO 1 MULTIPLEXER	NATIONAL	1	DM74LS153N
M19	280093	QUAD EXCLUSIVE-OR GATE	MOTOROLA	6	MC14070BCP
M20	280093	QUAD EXCLUSIVE-OR GATE	MOTOROLA	1	MC14070BCP
M21	280093	QUAD EXCLUSIVE-OR GATE	MOTOROLA	1	MC14070BCP
M22	280093	QUAD EXCLUSIVE-OR GATE	MOTOROLA	1	MC14070BCP
M23	280093	QUAD EXCLUSIVE-OR GATE	MOTOROLA	1	MC14070BCP
M24	270074	TRIPLE 3/P NOR LS	NATIONAL	1	DM74LS07N
M25	280093	QUAD EXCLUSIVE-OR GATE	MOTOROLA	1	MC14070BCP
M26	280093	QUAD EXCLUSIVE-OR GATE	MOTOROLA	1	MC14070BCP
M27	280093	QUAD EXCLUSIVE-OR GATE	MOTOROLA	1	MC14070BCP
M28	270095	DUAL DECADE COUNTER	NATIONAL	1	DM74LS390N
M29	280068	DUAL PRECISION MONOSTABLE	MOTOROLA	1	MC14538BCP
M30	280145	PHASE LOCKED LOOP	MOTOROLA	1	MC14046BCP
M31	280015	QUAD LATCH	MOTOROLA	7	MC14076BCP
M32	280015	QUAD LATCH	MOTOROLA	1	MC14076BCP
M33	280015	QUAD LATCH	MOTOROLA	1	MC14076BCP
M34	280015	QUAD LATCH	MOTOROLA	1	MC14076BCP

NOTES.

SEE SHEET 2 FOR LATEST ISSUE

ISS	ECO	DATE	CHKD

DATE	9/1/86		<b>datron</b> ELECTRONICS LTD TITLE: 4700. ANALOG INTERFACE PCB. ASSY.
DRAWN	J.F.R.		
CHECKED		APPROVED	DATE
DRAWING NUMBER: 400648		SHEET 7 OF 9	

DESIGNATOR	DATRON PART NO.	DESCRIPTION	PRINCIPAL MANUFACTURER	MANUFACTURER PART NO.	QUANTITY
M35	270073	QUAD 2 1/P O/C 'AND' LS	NATIONAL	DM74LS09N	2
M36	270073	QUAD 2 1/P O/C 'AND' LS	NATIONAL	DM74LS09N	1
M37	280015	QUAD LATCH	MOTOROLA	MC14076BCP	1
M38	280015	QUAD LATCH	MOTOROLA	MC14076BCP	1
M39	280015	QUAD LATCH	MOTOROLA	MC14076BCP	1
M40	270036	MONOSTABLE	NATIONAL	DM74121N	1
M41	270057	DUAL JK FLIP-FLOP LS	NATIONAL	DM74LS76N	2
M42	270057	DUAL JK FLIP-FLOP LS	NATIONAL	DM74LS76N	1
M43	270048	QUAD 2 1/P NAND LS	NATIONAL	DM74LS00N	1
M44	280094	SYNC SERIAL DATA ADAPTOR	MOTOROLA	MC6852P	1
M45	280024	TRI-STATE HEX. NON-INV. BUFFER	MOTOROLA	MC14503BCP	1
M46	270002	QUAD 2 1/P O/C NAND	NATIONAL	DM7401N	1
M47	280038	HEX D FLIP-FLOP	MOTOROLA	MC14174BCP	4
M48	280038	HEX D FLIP-FLOP	MOTOROLA	MC14174BCP	1
M49	280011	DUAL D FLIP-FLOP	MOTOROLA	MC14013BCP	1
M50	280105	8 1/P NAND	MOTOROLA	MC14068BCP	1
M51	280038	HEX D FLIP-FLOP	MOTOROLA	MC14174BCP	1
M52	280038	HEX D FLIP-FLOP	MOTOROLA	MC14174BCP	1
M53	270086	4-BIT BINARY COUNTER	NATIONAL	DM74LS93N	1
M54	280023	QUAD 2 1/P NOR GATE	MOTOROLA	MC14001UBCP	1
M55	280149	GEN. PURPOSE TIMER	INTERSIL	ICM75551PA	1

NOTES.

SEE SHEET 2 FOR LATEST ISSUE

ISS	ECO	DATE	CHKD

DATE	9/1/86		<b>datron</b> ELECTRONICS LTD TITLE: 4700. ANALOG INTERFACE PCB. ASSY.
DRAWN			
CHECKED		APPROVED	DATE
DRAWING NUMBER: 400648		SHEET 8 OF 9	

DESIGNATOR	DATRON PART No.	DESCRIPTION	PRINCIPAL MANUFACTURER	MANUFACTURER'S PART No.	Qty. USED (Per Assy)
	410264-2	PCB			1
	605060	14 WAY DIL SOCKET	JERMYN	J23-18014	28
	605061	16 WAY DIL SOCKET	JERMYN	J23-18016	25
	605064	24 WAY DIL SOCKET	JERMYN	J23-18024	1
	630117	CIRCUIT BD EJECTOR	RICHCO	CBE BROWN	2
X1	800029	CRYSTAL OSCILATOR	4.096 MH <sub>2</sub> IQD	IQXO-100	1
	620007	TEST POINT TERMINAL	MICROVAR	C 30	27
	540002	22 SWG TINNED CU WIRE	RS		A/R
	630243	GLASS BEAD 2.4% x 0.8% x 1.8	MAN SOL (PREFORMS)	M5363B/3	92
T1	310003	PULSE TRANSFORMER	NEWPORT	76610/1	1
	605059	8 WAY DIL SOCKET			1
	900004	SILICONE RUBBER COMPOUND	RS	555-588	A/R

NOTES

SEE SHEET 2 FOR LATEST ISSUE

DATE																		
DRAWN																		
CHECKED																		
APPROVED																		
DATE																		

DATE	3 3 86		<b>datron</b> ELECTRONICS LTD.
TITLE			4700 ANALOG INTERFACE PCB ASSY
DATE			DRAWING NUMBER: 400648 SHEET: 9 OF 9

DESCRIPTION	DRAWING NUMBER	SHEET NUMBER	ISSUE	REVISION
COMP. LAYOUT	430652	1	1.0	1.1 2.0 2.1 3.0 4.0 4.1 4.2
SCHMATIC	430652	1	1.0	1.1 2.0 2.1 3.0 4.0 4.1 4.2
SCHMATIC	430652	6	1.0	1.1 2.0 2.1 3.0 4.0 4.1 4.2
FUNCTIONAL TEST. PROC.	460652/FT	1-14	1.0	2.0 2.1 2.2 3.0 3.1 4.0
FUNC-T. TEST TICK LIST	470652/FT	1-2	1.0	2.0 2.1 3.0 3.1 4.0
PCB	410257		4.0	4.0

NOTES:  INDICATES NO CHANGE TO DOC AT ISSUE LEVEL CHANGE.

**datron** ELECTRONICS LTD. HORWICH ENGLAND

DATE: 12.2.86

CHKD: R.K. COFFMAN

APPR: *[Signature]*

TITLE: 4700 REF. DIVIDER PCB ASSY

DRAWING No. 400652 SHEET 1 OF 21

DESIGNATOR	DATRON PART No.	DESCRIPTION	PRINCIPAL MANUFACTURER	MANUFACTURER'S PART No.	No. USED Per Assy.
R1	000472	4k7 5% 1/4W CARBON	MULLARD	CR25	6
R2	000561	560R 5% 1/4W CARBON	MULLARD	CR25	8
R3	000622	6k2 5% 1/4W CARBON	MULLARD	CR25	4
R4	000561	560R 5% 1/4W CARBON	MULLARD	CR25	-
R5	000472	4k7 5% 1/4W CARBON	MULLARD	CR25	-
R6	000472	4k7 5% 1/4W CARBON	MULLARD	CR25	-
R7	000561	560R 5% 1/4W CARBON	MULLARD	CR25	-
R8	000272	2k7 5% 1/4W CARBON	MULLARD	CR25	2
R9	000561	560R 5% 1/4W CARBON	MULLARD	CR25	-
R10	000472	4k7 5% 1/4W CARBON	MULLARD	CR25	-
R11	000103	10k 5% 1/4W CARBON	MULLARD	CR25	9
R12	000102	1k 5% 1/4W CARBON	MULLARD	CR25	5
R13	000622	6k2 5% 1/4W CARBON	MULLARD	CR25	-
R14	000102	1k 5% 1/4W CARBON	MULLARD	CR25	-
R15	000103	10k 5% 1/4W CARBON	MULLARD	CR25	-
R16	013161	3k16 1% 1/8W 50ppm MF	HOLCO	H8C	4
R17	000101	100R 5% 1/4W CARBON	MULLARD	CR25	12
R18 (FSV)	014750	475R 1% 1/8W 50ppm MF	HOLCO	H8C	1
R19	013161	3k16 1% 1/8W 50ppm MF	HOLCO	H8C	-
R20	000101	100R 5% 1/4W CARBON	MULLARD	CR25	-
R21	013161	3k16 1% 1/8W 50ppm MF	HOLCO	H8C	-
R22	000101	100R 5% 1/4W CARBON	MULLARD	CR25	-
R23 (FSV)	012261	2k26 1% 1/8W 50ppm MF	HOLCO	H8C	1

NOTES

SEE SHEET 1 FOR LATEST ISSUE

ISS	2	3	4	5
ECO	1577	1603	1665	1707
DATE	7.2.87	5.4.84	8.9.84	21.3.84
CHKD	<i>[Signature]</i>	<i>[Signature]</i>	<i>[Signature]</i>	<i>[Signature]</i>

DATE: 12.2.86

**datron** ELECTRONICS LTD.

TITLE: 4700 REF. DIVIDER PCB ASSY

DRAWING NUMBER: 400652 SHEET 2 OF 21



DESIGNATOR	DATRON PART No.	DESCRIPTION	PRINCIPAL MANUFACTURER	MANUFACTURER'S PART No.	No. USED Per Assy.
R24	013161	3k16 1% 1/8W 50ppm MF	HOLCO	H8C	-
R25	000101	100R 5% 1/4W CARBON	MULLARD	CR25	-
R26	000102	1k 5% 1/4W CARBON	MULLARD	CR25	-
R27	000431	430R 5% 1/4W CARBON	MULLARD	CR25	2
R28	000101	100R 5% 1/4W CARBON	MULLARD	CR25	-
R29 (FSV)	019538	95R3 1% 1/8W 50ppm MF	HOLCO	H8C	4
R30	000431	430R 5% 1/4W CARBON	MULLARD	CR25	-
R31	000101	100R 5% 1/4W CARBON	MULLARD	CR25	-
R32	000102	1k 5% 1/4W CARBON	MULLARD	CR25	-
R33 (FSV)	019538	95R3 1% 1/8W 50ppm MF	HOLCO	H8C	-
R34	000562	5k6 5% 1/4W CARBON	MULLARD	CR25	4
R35	000561	560R 5% 1/4W CARBON	MULLARD	CR25	-
R36	000622	6k2 5% 1/4W CARBON	MULLARD	CR25	-
R37	000561	560R 5% 1/4W CARBON	MULLARD	CR25	-
R38	000562	5k6 5% 1/4W CARBON	MULLARD	CR25	-
R39	000562	5k6 5% 1/4W CARBON	MULLARD	CR25	-
R40	000561	560R 5% 1/4W CARBON	MULLARD	CR25	-
R41	000622	6k2 5% 1/4W CARBON	MULLARD	CR25	-
R42	000561	560R 5% 1/4W CARBON	MULLARD	CR25	-
R43	000562	5k6 5% 1/4W CARBON	MULLARD	CR25	-
R44	000202	2k0 5% 1/4W CARBON	MULLARD	CR25	2
R45	000222	2k2 5% 1/4W CARBON	MULLARD	CR25	3
R46	014320	432R 1% 1/8W 50ppm MF	HOLCO	H8C	4

NOTES:

SEE SHEET 2 FOR LATEST ISSUE

ISS																				
E CD																				
DATE																				
CHKD																				

DATE	12 2 86	<b>datron</b> ELECTRONICS LTD <b>TITLE</b> 4700 REF DIVIDER PCB. ASSY. <b>DRAWING NUMBER</b> 400652	<b>SHEET</b> 3 OF 21
DRAWN	ll		
CHECKED			
APPROVED			
DATE			

W 1164

DESIGNATOR	DATRON PART No.	DESCRIPTION	PRINCIPAL MANUFACTURER	MANUFACTURER'S PART No.	No. USED Per Assy.
R47	000101	100R 5% 1/4W CARBON	MULLARD	CR25	-
R48 (FSV)	019538	95R3 1% 1/8W 50ppm MF	HOLCO	H8C	-
R49	014320	432R 1% 1/8W 50ppm MF	HOLCO	H8C	-
R50	000101	100R 5% 1/4W CARBON	MULLARD	CR25	-
R51	014320	432R 1% 1/8W 50ppm MF	HOLCO	H8C	-
R52	000101	100R 5% 1/4W CARBON	MULLARD	CR25	-
R53 (FSV)	019538	95R3 1% 1/8W 50ppm MF	HOLCO	H8C	-
R54	014320	432R 1% 1/8W 50ppm MF	HOLCO	H8C	-
R55	000101	100R 5% 1/4W CARBON	MULLARD	CR25	-
R56	000474	470k 5% 1/4W CARBON	MULLARD	CR25	1
R57	000184	180k 5% 1/4W CARBON	MULLARD	CR25	1
R58	013742	37k4 1% 1/8W 50ppm MF	HOLCO	H8C	1
R59	000103	10k 5% 1/4W CARBON	MULLARD	CR25	-
R60	000338	3R3 5% 1/4W CARBON	MULLARD	CR25	1
R61	000104	100k 5% 1/4W CARBON	MULLARD	CR25	2
R62	018872	88k7 1% 1/8W 50ppm MF	HOLCO	H8C	1
R63	017872	78k7 1% 1/8W 50ppm MF	HOLCO	H8C	2
R64	070144	36k0 01% 5ppm WW	MANN	MX125B	1
R65	070142	12k0 01% 5ppm WW	MANN	MX125B	2
R66	017872	78k7 1% 1/8W 50ppm MF	HOLCO	H8C	-
R67	000912	9k1 5% 1/4W CARBON	MULLARD	CR25	1
R68		NOT USED			-
R69		NOT USED			-

NOTES:

SEE SHEET 2 FOR LATEST ISSUE

ISS																				
E CD																				
DATE																				
CHKD																				

DATE	12 2 86	<b>datron</b> ELECTRONICS LTD <b>TITLE</b> 4700 REF DIVIDER PCB. ASSY. <b>DRAWING NUMBER</b> 400652	<b>SHEET</b> 4 OF 21
DRAWN	ll		
CHECKED			
APPROVED			
DATE			

W 1164

DESIGNATOR	DATRON PART No.	DESCRIPTION	PRINCIPAL MANUFACTURER	MANUFACTURER'S PART No.	No. USED Per Assy.
R70		NOT USED			-
R71		NOT USED			-
R72	000682	6k8 5% 1/4W CARBON	MULLARD	CR25	1
R73	000272	2k7 5% 1/4W CARBON	MULLARD	CR25	-
R74	000470	47R 5% 1/4W CARBON	MULLARD	CR25	3
R75	011183	118k 1% 1/8W 50ppm MF	HOLCO	H8C	1
R76	011001	1k00 1% 1/8W 50ppm MF	HOLCO	H8C	4
R77	011001	1k00 1% 1/8W 50ppm MF	HOLCO	H8C	-
R78	012672	26k7 1% 1/8W 50ppm MF	HOLCO	H8C	1
R79	080032	78k7 0.1% 1W 10ppm MF	VISHAY	VS3CS	1
R80	070143	16k0 0.01% 5ppm WW	MANN	MX125B	1
R81	070142	12k0 0.01% 5ppm WW	MANN	MX125B	-
R82		NOT USED			-
R83		NOT USED			-
R84	012212	22k1 1% 1/8W 50ppm MF	HOLCO	H8C	2
R85 (F5V)	013162	31k6 1% 1/8W 50ppm MF	HOLCO	H8C	1
R86	000102	1k 5% 1/4W CARBON	MULLARD	CR25	-
R87		NOT USED			-
R88		NOT USED			-
R89		NOT USED			-
R90	000104	100k 5% 1/4W CARBON	MULLARD	CR25	-
R91	011182	11k8 1% 1/8W 50ppm MF	HOLCO	H8C	1
R92	011001	1k00 1% 1/8W 50ppm MF	HOLCO	H8C	-

NOTES.

SEE SHEET 2 FOR LATEST ISSUE

ISS	1																			
ECO																				
DATE																				
CHKD																				

DATE	12.2.86	<b>datron</b> ELECTRONICS LTD TITLE 4700 REF DIVIDER PCB. ASSY. DRAWING NUMBER 400652 SHEET 5 OF 21
DRAWN	IL	
CHECKED		
APPROVED		
DATE		

DESIGNATOR	DATRON PART No.	DESCRIPTION	PRINCIPAL MANUFACTURER	MANUFACTURER'S PART No.	No. USED Per Assy.
R93	011001	1k00 1% 1/8W 50ppm MF	HOLCO	H8C	-
R94	014532	45k3 1% 1/8W 50ppm MF	HOLCO	H8C	1
R95	011402	14k0 1% 1/8W 50ppm MF	HOLCO	H8C	1
R96	019531	9k53 1% 1/8W 50ppm MF	HOLCO	H8C	1
R97		NOT USED			-
R98	011002	10k 1% 1/8W 50ppm MF	HOLCO	H8C	4
R99	070156	555k41 0.01% 5ppm WW	MANN	AX175B	1
R100	070145	475R 0.01% 5ppm WW	MANN	AX175B	1
R101	012212	22k1 1% 1/8W 50ppm MF	HOLCO	H8C	-
R102	000473	47k 5% 1/4W CARBON	MULLARD	CR25	4
R103	000103	10k 5% 1/4W CARBON	MULLARD	CR25	-
R104	000103	10k 5% 1/4W CARBON	MULLARD	CR25	-
R105	000472	4k7 5% 1/4W CARBON	MULLARD	CR25	-
R106	000103	10k 5% 1/4W CARBON	MULLARD	CR25	-
R107	000393	39k 5% 1/4W CARBON	MULLARD	CR25	4
R108	012001	2k00 1% 1/8W 50ppm MF	HOLCO	H8C	4
R109	011302	13k0 1% 1/8W 50ppm MF	HOLCO	H8C	4
R110	012001	2k00 1% 1/8W 50ppm MF	HOLCO	H8C	-
R111	000393	39k 5% 1/4W CARBON	MULLARD	CR25	-
R112	011302	13k0 1% 1/8W 50ppm MF	HOLCO	H8C	-
R113	000101	100R 5% 1/4W CARBON	MULLARD	CR25	-
R114	000101	100R 5% 1/4W CARBON	MULLARD	CR25	-
R115	000470	47R 5% 1/4W CARBON	MULLARD	CR25	-

NOTES.

SEE SHEET 2 FOR LATEST ISSUE

ISS																				
ECO																				
DATE																				
CHKD																				

DATE	12.2.86	<b>datron</b> ELECTRONICS LTD TITLE 4700 REF DIVIDER PCB. ASSY. DRAWING NUMBER 400652 SHEET 6 OF 21
DRAWN	IL	
CHECKED		
APPROVED		
DATE		

DESIGNATOR	DATRON PART No.	DESCRIPTION	PRINCIPAL MANUFACTURER	MANUFACTURER'S PART No.	No. USED Per Assy.
R116	000222	2k2 5% 1/3W CARBON	MULLARD	CR25	-
R117		NOT USED			-
R118	006132	1k30 2% 1W MET-OX	ELECTROSIL	FPI	2
R119	006132	1k30 2% 1W MET-OX	ELECTROSIL	FPI	-
R120	000103	10k 5% 1/4W CARBON	MULLARD	CR25	-
R121	000473	47k 5% 1/4W CARBON	MULLARD	CR25	1
R122	000823	82k 5% 1/4W CARBON	MULLARD	CR25	-
R123	000473	47k 5% 1/4W CARBON	MULLARD	CR25	2
R124	000152	1k5 5% 1/4W CARBON	MULLARD	CR25	-
R125	011002	10k0 1% 1/8W 50ppm MF	HOLCO	H8C	-
R126	011002	10k0 1% 1/8W 50ppm MF	HOLCO	H8C	-
R127	011002	10k0 1% 1/8W 50ppm MF	HOLCO	H8C	-
R128	012001	2k 1% 1/8W 50ppm MF	HOLCO	H8C	-
R129	011302	13k 1% 1/8W 50ppm MF	HOLCO	H8C	-
R130	012001	2k 1% 1/8W 50ppm MF	HOLCO	H8C	-
R131	011302	13k 1% 1/8W 50ppm MF	HOLCO	H8C	-
R132	000470	47R 5% 1/3W CARBON	MULLARD	CR25	-
R133	000222	2k2 5% 1/3W CARBON	MULLARD	CR25	-
R134	000821	820R 5% 1/3W CARBON	MULLARD	CR25	2
R135	000821	820R 5% 1/3W CARBON	MULLARD	CR25	-
R136	000393	39k 5% 1/3W CARBON	MULLARD	CR25	-
R137	000393	39k 5% 1/3W CARBON	MULLARD	CR25	-
R138	000220	22R 5% 1/3W CARBON	MULLARD	CR25	2

NOTES.

SEE SHEET 2 FOR LATEST ISSUE

ISS										
ECO										
DATE										
CHKD										

DATE	12.2.86	datron ELECTRONICS LTD	
DRAWN		TITLE	
CHECKED		4700 REF DIVIDER PCB ASSY	
APPROVED		DRAWING NUMBER	400652
DATE		SHEET OF 21	

M. 1164

DESIGNATOR	DATRON PART No.	DESCRIPTION	PRINCIPAL MANUFACTURER	MANUFACTURER'S PART No.	No. USED Per Assy.
R139	000220	22R 5% 1/3W CARBON	MULLARD	CR25	-
R140	000152	1k5 5% 1/3W CARBON	MULLARD	CR25	-
R141	000103	10k 5% 1/3W CARBON	MULLARD	CR25	-
R142	000472	4k7 5% 1/3W CARBON	MULLARD	CR25	-
R143	000473	47k 5% 1/3W CARBON	MULLARD	CR25	-
R144	000103	10k 5% 1/3W CARBON	MULLARD	CR25	-
R145	000202	2k 5% 1/3W CARBON	MULLARD	CR25	-
R146	000303	30k 5% 1/3W CARBON	MULLARD	CR25	1
R147	000155	1M5 5% 1/3W CARBON	MULLARD	CR25	1
R148	000273	27K 5% 1/3W CARBON	MULLARD	CR25	1
AN1	090031	1k x7 2% NETWORK	BECKMAN	L08-I-RIK	1
AN2	090096	1M x8 2% NETWORK	BECKMAN	L09-I-RIM	2
AN3	090096	1M x8 2% NETWORK	BECKMAN	L09-I-RIM	-

NOTES.

SEE SHEET 2 FOR LATEST ISSUE

ISS										
ECO										
DATE										
CHKD										

DATE	12.2.86	datron ELECTRONICS LTD	
DRAWN		TITLE	
CHECKED		4700 REF DIVIDER PCB ASSY	
APPROVED		DRAWING NUMBER	400652
DATE		SHEET OF 21	

DESIGNATOR	DATRON PART No.	DESCRIPTION	PRINCIPAL MANUFACTURER	MANUFACTURER'S PART No.	No. USED Per Assy.
1	104026	47nF $\begin{matrix} +30\% \\ -20\% \end{matrix}$ 50V CER DISC	SIEMENS	B37449	23
2	104026	47nF $\begin{matrix} +50\% \\ -20\% \end{matrix}$ 50V CER DISC	SIEMENS	B37449	-
3	150003	47µF 20% 6V3 DIP TANT	UNION CARBIDE	K47EGV3	1
4	150021	22µF 20% 25V DIP TANT	UNION CARBIDE	K22E25	!
5		NOT USED			-
6	104026	47nF $\begin{matrix} +50\% \\ -20\% \end{matrix}$ 50V CER DISC	SIEMENS	B37449	-
7	150016	1µF 20% 35V DIP TANT	UNION CARBIDE	K10E35	4
8	104026	47nF $\begin{matrix} +50\% \\ -20\% \end{matrix}$ 50V CER DISC	SIEMENS	B37449	-
9	104026	47nF $\begin{matrix} +50\% \\ -20\% \end{matrix}$ 50V CER DISC	SIEMENS	B37449	-
10	104026	47nF $\begin{matrix} +50\% \\ -20\% \end{matrix}$ 50V CER DISC	SIEMENS	B37449	-
11	104026	47nF $\begin{matrix} +50\% \\ -20\% \end{matrix}$ 50V CER DISC	SIEMENS	B37449	-
12	104026	47nF $\begin{matrix} +50\% \\ -20\% \end{matrix}$ 50V CER DISC	SIEMENS	B37449	-
13	102101	100pF 10% 500V CER DISC	ITT	CD10	1
14	104026	47nF $\begin{matrix} +50\% \\ -20\% \end{matrix}$ 50V CER DISC	SIEMENS	B37449	-
15	110013	100nF 20% 250V POLYESTER	MULLARD	C280AEP100k	2
16	110013	100nF 20% 250V POLYESTER	MULLARD	C280AEP100k	-
17	104026	47nF $\begin{matrix} +50\% \\ -20\% \end{matrix}$ 50V CER DISC	SIEMENS	B37449	-
18	104026	47nF $\begin{matrix} +50\% \\ -20\% \end{matrix}$ 50V CER DISC	SIEMENS	B37449	-
19	104026	47nF $\begin{matrix} +50\% \\ -20\% \end{matrix}$ 50V CER DISC	SIEMENS	B37449	-
20	104026	47nF $\begin{matrix} +50\% \\ -20\% \end{matrix}$ 50V CER DISC	SIEMENS	B37449	-
21	104026	47nF $\begin{matrix} +50\% \\ -20\% \end{matrix}$ 50V CER DISC	SIEMENS	B37449	-
22	104026	47nF $\begin{matrix} +50\% \\ -20\% \end{matrix}$ 50V CER DISC	SIEMENS	B37449	-
23	140016	470nF 10% 250V POLYPROP	RIFA	PHE402HFK	10

NOTES.

SEE SHEET 2 FOR LATEST ISSUE

ISS																				
ECO																				
DATE																				
CHKD																				

DATE	12.2.86	<div style="text-align: center;"><b>datron</b></div> <small>ELECTRONICS LTD</small>	
DRAWN	IL		
CHECKED		TITLE	4700 REF. DIVIDER PCB. ASSY.
APPROVED		DRAWING NUMBER	400652
DATE		SHEET	9 OF 21

DESIGNATOR	DATRON PART No.	DESCRIPTION	PRINCIPAL MANUFACTURER	MANUFACTURER'S PART No.	No. USED Per Assy.
C24	102470	47pF 5% 500V CER DISC	ITT	CD10	3
C25	104026	47nF $\begin{matrix} +50\% \\ -20\% \end{matrix}$ 50V CER DISC	SIEMENS	B37449	-
C26	102470	47pF 5% 500V CER DISC	ITT	CD10	-
C27	104026	47nF $\begin{matrix} +50\% \\ -20\% \end{matrix}$ 50V CER DISC	SIEMENS	B37449	-
C28		NOT USED			-
C29	140016	470nF 10% 250V POLYPROP	RIFA	PHE402HFK	-
C30	102470	47pF 5% 500V CER DISC	ITT	CD10	-
C31	140016	470nF 10% 250V POLYPROP	RIFA	PHE402HFK	-
C32	104026	47nF $\begin{matrix} +50\% \\ -20\% \end{matrix}$ 50V CER DISC	SIEMENS	B37449	-
C33	150020	10µF 20% 25V DIP TANT	UNION CARBIDE	K10E25	8
C34	180015	470µF 25V AL. ELECT.	MULLARD	017-16471	1
C35	150020	10µF 20% 25V DIP TANT	UNION CARBIDE	K10E25	-
C36		NOT USED			-
C37		NOT USED			-
C38	110030	1nF 20% 100V POLYESTER	WIMA	FKS2	3
C39	150020	10µF 20% 25V DIP TANT	UNION CARBIDE	K10E25	-
C40	102270	27pF 5% 500V CER DISC	ITT	CD10	2
C41	140016	470nF 10% 250V POLYPROP	RIFA	PHE 402 HFK	-
C42	140016	470nF 10% 250V POLYPROP	RIFA	PHE 402 HFK	-
C43	140016	470nF 10% 250V POLYPROP	RIFA	PHE 402 HFK	-
C44	140016	470nF 10% 250V POLYPROP	RIFA	PHE 402 HFK	-
C45	102270	27pF 5% 500V CER DISC	ITT	CD10	-
C46	140016	470nF 10% 250V POLYPROP	RIFA	PHE 402 HFK	-

NOTES.

SEE SHEET 2 FOR LATEST ISSUE

ISS																				
ECO																				
DATE																				
CHKD																				

DATE	12.2.86	<div style="text-align: center;"><b>datron</b></div> <small>ELECTRONICS LTD</small>	
DRAWN	IL		
CHECKED		TITLE	4700 REF. DIVIDER PCB. ASSY.
APPROVED		DRAWING NUMBER	400652
DATE		SHEET	10 OF 21

DESIGNATOR	DATRON PART No.	DESCRIPTION	PRINCIPAL MANUFACTURER	MANUFACTURER'S PART No.	No. USED Per Assy.
C47	140016	470nF 10% 250V POLYPROP	RIFA	PHE 402 HFK	—
C48	104026	47nF $\pm 20\%$ 50V CER DISC	SIEMENS	B37449	—
C49	150020	10 $\mu$ F 20% 25V DIP TANT	UNION CARBIDE	K10E25	—
C50	150020	10 $\mu$ F 20% 25V DIP TANT	UNION CARBIDE	K10E25	—
C51	140044	10nF 20% 400V POLYPROP	STEATITE	MKP1814	1
C52	110050	22nF 10% 63V POLYESTER	WIMA	MKS2	2
C53	140016	470nF 10% 250V POLYPROP	RIFA	PHE 402 HFK	—
C54	110042	100nF 20% 63V POLYESTER	WIMA	MKS2	4
C55	110042	100nF 20% 63V POLYESTER	WIMA	MKS2	—
C56	110039	470nF 20% 63V POLYESTER	WIMA	MKS2	3
C57	110039	470nF 20% 63V POLYESTER	WIMA	MKS2	—
C58	150016	1 $\mu$ F 20% 35V DIP TANT	UNION CARBIDE	K10E35	—
C59	104026	47nF $\pm 20\%$ 50V CER DISC	SIEMENS	B37449	—
C60		NOT USED			—
C61	104026	47nF $\pm 20\%$ 50V CER DISC	SIEMENS	B37449	—
C62	104026	47nF $\pm 20\%$ 50V CER DISC	SIEMENS	B37449	—
C63	150020	10 $\mu$ F 20% 25V DIP TANT	UNION CARBIDE	K10E35	—
C64	150020	10 $\mu$ F 20% 25V DIP TANT	UNION CARBIDE	K10E35	—
C65	102221	220pF 10% 500V CER DISC	ITT	CD10	2
C66	110042	100nF 20% 63V POLYESTER	WIMA	MKS2	—
C67	110042	100nF 20% 63V POLYESTER	WIMA	MKS2	—
C68	110050	22nF 10% 63V POLYESTER	WIMA	MKS2	—
C69	150016	1 $\mu$ F 20% 35V DIP TANT	UNION CARBIDE	K10E35	—

NOTES.

SEE SHEET 2 FOR LATEST ISSUE

ISS	E.C.O.	DATE	CHKD.

DATE	12.2.86	datron ELECTRONICS LTD
DRAWN	IL	
CHECKED		DRAWING NUMBER 400652 SHEET 11 OF 21
APPROVED		
DATE		

DESIGNATOR	DATRON PART No.	DESCRIPTION	PRINCIPAL MANUFACTURER	MANUFACTURER'S PART No.	No. USED Per Assy.
C70	110039	470nF 20% 63V POLYESTER	WIMA	MKS2	—
C71	110030	1nF 20% 100V POLYESTER	WIMA	MKS2	—
C72	110030	1nF 20% 100V POLYESTER	WIMA	MKS2	—
C73	102221	220pF 10% 500V CER DISC	ITT	CD10	—
C74	104026	47nF $\pm 20\%$ 50V CER DISC	SIEMENS	B37449	—
C75	150016	1 $\mu$ F 20% 35V DIP TANT	UNION CARBIDE	K10E35	—
C76	150020	10 $\mu$ F 20% 25V DIP TANT	UNION CARBIDE	K10E25	—

NOTES.

SEE SHEET 2 FOR LATEST ISSUE

ISS	E.C.O.	DATE	CHKD.

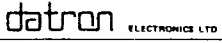
DATE	12.2.86	datron ELECTRONICS LTD
DRAWN	IL	
CHECKED		DRAWING NUMBER 400652 SHEET 12 OF 21
APPROVED		
DATE		

DESIGNATOR	DATRON PART No.	DESCRIPTION	PRINCIPAL MANUFACTURER	MANUFACTURER'S PART No.	No. USED Per Assy.
D1	210027	2V7 400mW ZENER	MULLARD	BZY88C2V7	4
D2	210120	12V 400mW ZENER	MULLARD	BZY88C12	1
D3	210027	2V7 400mW ZENER	MULLARD	BZY88C2V7	-
D4	210043	4V3 400mW ZENER	MULLARD	BZY88C4V3	1
D5	210027	2V7 400mW ZENER	MULLARD	BZY88C2V7	-
D6	210027	2V7 400mW ZENER	MULLARD	BZY88C2V7	-
D7	213009	15V 5W ZENER	UNITRODE	TVS 515	5
D8	213009	15V 5W ZENER	UNITRODE	TVS 515	-
D9	213009	15V 5W ZENER	UNITRODE	TVS 515	-
D10	200008	200mA 125V LL Si DIODE	FAIRCHILD	IN458A	1
D11	213009	15V 5W ZENER	UNITRODE	TVS 515	-
D12		NOT USED			-
D13		NOT USED			-
D14	210062	6V2 400mW ZENER	MULLARD	BZY88C6V2	2
D15	210062	6V2 400mW ZENER	MULLARD	BZY88C6V2	-
D16		NOT USED			-
D17		NOT USED			-
D18	200001	75mA 75V GP Si DIODE	FAIRCHILD	IN4148	9
D19	200001	75mA 75V GP Si DIODE	FAIRCHILD	IN4148	-
D20	200001	75mA 75V GP Si DIODE	FAIRCHILD	IN4148	-
D21	200001	75mA 75V GP Si DIODE	FAIRCHILD	IN4148	-
D22	200001	75mA 75V GP Si DIODE	FAIRCHILD	IN4148	-
D23	210056	5V6 400mW ZENER	MULLARD	BZY88C5V6	2

NOTES.

SEE SHEET 2 FOR LATEST ISSUE

ISS	ECO	DATE	CHKD

DATE	12 2 86	 <b>4700 REF DIVIDER PCB ASSY</b>
DRAWN		
CHECKED		
APPROVED		
DATE		
DRAWING NUMBER		400652
		SHEET 13 OF 21

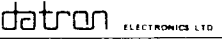
W. 1164

DESIGNATOR	DATRON PART No.	DESCRIPTION	PRINCIPAL MANUFACTURER	MANUFACTURER'S PART No.	No. USED Per Assy.
D24	210056	5V6 400mW ZENER	MULLARD	BZY88C5V6	-
D25	213006	5V 5W ZENER	UNITRODE	TVS 505	1
D26	200001	75mA 75V GP Si DIODE	FAIRCHILD	IN4148	-
D27	200001	75mA 75V GP Si DIODE	FAIRCHILD	IN4148	-
D28	200001	75mA 75V GP Si DIODE	FAIRCHILD	IN4148	-
D29	213009	15V 5W ZENER	UNITRODE	TVS 515	-
D30	200001	75mA 75V GP Si DIODE	FAIRCHILD	IN4148	-

NOTES.

SEE SHEET 2 FOR LATEST ISSUE

ISS	ECO	DATE	CHKD

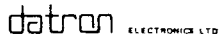
DATE	12 2 86	 <b>4700 REF DIVIDER PCB ASSY</b>
DRAWN		
CHECKED		
APPROVED		
DATE		
DRAWING NUMBER		400652
		SHEET 14 OF 21

DESIGNATOR	DATRON PART No.	DESCRIPTION	PRINCIPAL MANUFACTURER	MANUFACTURER'S PART No.	No. USED Per Assy.
Q1	250004	Si PNP TRANSISTOR	NATIONAL	2N3906/TO18	13
Q2	240006	Si NPN	"	2N3904/TO18	14
Q3	250004	Si PNP	"	2N3906/TO18	-
Q4	240006	Si NPN	"	2N3904/TO18	-
Q5	240006	Si NPN	"	2N3904/TO18	-
Q6	250004	Si PNP	"	2N3906/TO18	-
Q7	240006	Si NPN	"	2N3904/TO18	-
Q8	250004	Si PNP	"	2N3906/TO18	-
Q9	250004	Si PNP	"	2N3906/TO18	-
Q10	240006	Si NPN	"	2N3904/TO18	-
Q11	250004	Si PNP	"	2N3906/TO18	-
Q12	240006	Si NPN	"	2N3904/TO18	-
Q13		NOT USED			-
Q14		NOT USED			-
Q15		NOT USED			-
Q16		NOT USED			-
Q17		NOT USED			-
Q18		NOT USED			-
Q19	240006	Si NPN	"	2N3904/TO18	-
Q20	240006	Si NPN	"	2N3904/TO18	-
Q21	250004	Si PNP	"	2N3906/TO18	-
Q22	240006	Si NPN	"	2N3904/TO18	-
Q23	250004	Si PNP	"	2N3906/TO18	-

NOTES.

SEE SHEET 2 FOR LATEST ISSUE

ISS	E.C.O.	DATE	CHGD

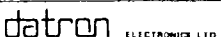
DATE	12.2.86				
DRAWN	[initials]		TITLE		
CHECKED			4700 REF. DIVIDER PCB. ASSY.		
APPROVED			DRAWING NUMBER	400652	SHEET
DATE					

DESIGNATOR	DATRON PART No.	DESCRIPTION	PRINCIPAL MANUFACTURER	MANUFACTURER'S PART No.	No. USED Per Assy.
Q24	240006	Si NPN TRANSISTOR	NATIONAL	2N3904/TO18	-
Q25	240006	Si NPN	"	2N3904/TO18	-
Q26	250004	Si PNP	"	2N3906/TO18	-
Q27	240006	Si NPN	"	2N3904/TO18	-
Q28	250004	Si PNP	"	2N3906/TO18	-
Q29	230039	P-CHAN JFET	SILICONIX	J175	2
Q30	230039	P-CHAN JFET	SILICONIX	J175	-
Q31	230038	N-CHAN JFET	SILICONIX	J112	1
Q32	* 239037-1	N-CHAN JFET SEL SET	DATRON (SEE DRG)	J108 (COLOUR)	1 SET OF 4
Q33	230048	P-CHAN JFET	TELEDYNE	J174	2
Q34	* 239037-1	N-CHAN JFET SEL SET	DATRON (SEE DRG)	J108 (COLOUR)	-
Q35	* 239037-1	N-CHAN JFET SEL SET	DATRON (SEE DRG)	J108 (COLOUR)	-
Q36	230048	P-CHAN JFET	TELEDYNE	J174	-
Q37	* 239037-1	N-CHAN JFET SEL SET	DATRON (SEE DRG)	J108 (COLOUR)	-
Q38		NOT USED			-
Q39		NOT USED			-
Q40	250004	Si PNP	NATIONAL	2N3906/TO18	-
Q41	230031	N-CHAN DUAL JFET	TELEDYNE	SU2656M	4
Q42	230031	N-CHAN DUAL JFET	TELEDYNE	SU2656M	-
Q43	250004	Si PNP	NATIONAL	2N3906/TO18	-
Q44	230031	N-CHAN DUAL JFET	TELEDYNE	SU2656M	-
Q45	240006	Si NPN	NATIONAL	2N3904/TO18	-
Q46	230042	N-CHAN CURRENT LIM. 3mA	TELEDYNE	12R 510	2

NOTES. \* THESE 4 FETS MUST HAVE THE SAME COLOUR CODING

SEE SHEET 2 FOR LATEST ISSUE

ISS	E.C.O.	DATE	CHGD

DATE	12.2.86				
DRAWN	[initials]		TITLE		
CHECKED			4700 REF. DIVIDER PCB. ASSY.		
APPROVED			DRAWING NUMBER	400652	SHEET
DATE					





DESIGNATOR	DATRON PART No.	DESCRIPTION	PRINCIPAL MANUFACTURER	MANUFACTURER'S PART No.	No. USED Per Assy.
M18	280088	8BIT STATIC SHIFT REGISTER	MOTOROLA	MC14021BCP	2
M19	280089	8 BIT STATIC SHIFT REGISTER	MOTOROLA	MC14094 BCP	-
M20	260025	101 OP AMP	NATIONAL	LM101AH	-
M21		NOT USED			-
M22	280088	8BIT STATIC SHIFT REGISTER	MOTOROLA	MC14021 BCP	-
M23	260027	714 OP AMP	FAIRCHILD	µA 714 HC	5
M24	280023	QUAD 21/P NOR GATE	MOTOROLA	MC14001 BCP	1
M25	280089	8BIT STATIC SHIFT REGISTER	MOTOROLA	MC14094 BCP	-
M26	260057	5534 OP AMP	SIGNETICS	NE5534N	2
M27	280089	8BIT STATIC SHIFT REGISTER	MOTOROLA	MC14094 BCP	-
M28	260057	5534 OP AMP	SIGNETICS	NE5534N	-
M29	290090	7X DARLINGTON DRIVER	SPRAGUE/EXAR	ULN2002A/xR2202CP	1
M30	280089	8 BIT STATIC SHIFT REGISTER	MOTOROLA	MC14094 BCP	-
M31	280089	8BIT STATIC SHIFT REGISTER	MOTOROLA	MC14094 BCP	-
M32	260027	714 OP AMP	FAIRCHILD	µA 714 HC	-
M33	260083	1052 CHOPPER AMP	LINEAR TECHNOLOGY	LTC1052CN	2
M34	260027	714 OP AMP	FAIRCHILD	µA 714 HC	-
M35	260027	714 OP AMP	FAIRCHILD	µA 714 HC	-
M36	280106	HEX LEVEL SHIFTER	MOTOROLA	MC14504 BCP	1
M37	280011	DUAL D FLIP FLOP	MOTOROLA	MC14013 BCP	-
M38	260083	1052 CHOPPER AMP	LINEAR TECHNOLOGY	LTC1052CN	-
M39	260027	714 OP AMP	FAIRCHILD	µA 714 HC	-
M40	220027	HIGH CMR OPTO ISOL.	HP	HCPL-2601(5082-4361)	-
M41	290149	CMOS 555 TIMER	INTERSIL	ICM7555 1PA	1

SEE SHEET 2 FOR LATEST ISSUE

REV	DATE	BY	CHKD

DATE	12.2.86
DRAWN	
CHECKED	
APPROVED	
DATE	
TITLE	4700 REF DIVIDER PCB ASSY.
DRAWING NUMBER	400652
SHEET OF	19 OF 21

DESIGNATOR	DATRON PART No.	DESCRIPTION	PRINCIPAL MANUFACTURER	MANUFACTURER'S PART No.	No. USED Per Assy.
RL1	330030	RELAY 4P N/O	SDS	S4 24V	2
RL2	330030	RELAY 4P N/O	SDS	S4 24V	-
RL3		NOT USED			-
LI-L9	370001	10µH 0.85Ω RF CHOKE	PLESSEY	58/10/0011/10	9
TI-T5	310002-2	PULSE TX	NEWPORT	76616/4 HV	5
SI	700070	SLIDE SWITCH, EXTRA HI. LEVER	APR	25446A H6	1
	410257-4	PCB			1
	540006	1/0.4 BLACK PTFE INS. WIRE			A/R
	540002	22SWG BTC WIRE			A/R
	590004	Ø1.0 PTFE SLEEVE			A/R
	602001	FSV TERMINAL	MOLEX	02-04-5114	14
	605059	8WAY DIL. SOCKET			11
	605060	14WAY DIL. SOCKET			5
	605061	16WAY DIL. SOCKET			13
	604053	4WAY 1" PCB PLUG GD. PL.	MOLEX	4030-04 AG (.825" PINS)	2
	612025-1	STANDOFF M3X5mm BRASS	DATRON	SEE DRAWING.	1

NOTES.

SEE SHEET 2 FOR LATEST ISSUE

REV	DATE	BY	CHKD

DATE	12.2.86
DRAWN	
CHECKED	
APPROVED	
DATE	
TITLE	4 00 REF DIVIDER PCB ASSY.
DRAWING NUMBER	400652
SHEET OF	20 OF 21


DESIGNATOR	DATRON PART No.	DESCRIPTION	PRINCIPAL MANUFACTURER	MANUFACTURER'S PART No.	No. USED Per Assy.
	630024	STANDARD STEATITE INS. BEAD	PARK ROYAL PORCELAIN CO	TYPE NO2 (16SWG)	20
	630118	CIRCUIT BOARD EJECTOR	RICHCO	CBE RED	2
	620007	TEST POINT TERMINAL	MICROVAR	C30	32
	630243	GLASS BEAD 2.4% $\phi$ x 0.8% $\phi$	MANSOL (PREFORMS) LTD.	M53638/3	46
	900004	SILICONE RUBBER COMPOUND.	RS.	555-588	A/R.

NOTES.

SEE SHEET 2 FOR LATEST ISSUE

ISS																
ECO																
DATE																
CHKD																

DATE 12.2.86	datron ELECTRONICS LTD	
DRAWN	TITLE 4700 REF DIVIDER PCB. ASSY	
CHECKED	APPROVED	
DATE	DRAWING NUMBER 400652	SHEET 21 of 21

DRAWING No. <b>LD 400761</b>		DATE	ISSUE	REVISION		
DOCUMENT LIST		DATE	ISSUE	REVISION		
Y						
1.0		3099 17/08/88	1.1	3179 19/08/88		
LIST NUMBER	DRAWING NUMBER	SHEET NUMBER	ISSUE / REVISION			
LP400761	ALL	1.0	1.1	1.1		
ASSEMBLY DRAWING	DA400761	1	1.0	1.1		
CHECK DRAWING	DC400761	1	1.0			
TEST PROCEDURE	PT400761	1.0	1.0	1.0		
DESIGN SPECIFICATION	SD400761	1.0	1.0	1.0		
PCB	410420	1.0	1.0	1.0		
NOTES						
<input type="checkbox"/> DENOTES NO CHANGE TO COMS AT ISSUE LEVEL CHANGE						
		DATE <b>2.SEP.88</b>	FILE NO. <b>KB</b>	NO. <b>166</b>	TITLE <b>CALIBRATOR REF. MODULE</b>	DRAWING No. <b>LD 400761</b>
		DATE <b>23 SEP 88</b>	FILE NO. <b>28 NOV 88</b>	NO. <b>28 NOV 88</b>	TITLE <b>CALIBRATOR REF. MODULE</b>	SHEET 1 OF 1

DATRON INSTRUMENTS LTD    PARTS LIST    30-Dec-88    DESG: ASSY REF MODULE    DRG NO: LP400761-1    REV: 1    PAGE NO: 1

DESIG	PART NO	DESCRIPTION	PRINC MANUF	MANUF PART NUMBER	CLASS	UM	QUANTITY	CHANGES
R1	050063	RES MF 18R 5% .5W 100PPM	PHILIPS	SFR16T-18R-5	A	EA	4	
R2	050064	RES MF 10K 5% .5W 100PPM	PHILIPS	SFR16T-10K-5	A	EA	3	
R3	050065	RES MF 68K 5% .5W 100PPM	PHILIPS	SFR16T-68K-5	A	EA	2	
R4	050065	RES MF 68K 5% .5W 100PPM	PHILIPS	SFR16T-68K-5	A	EA	-	
R5	050066	RES MF 2K7 5% .5W 100PPM	PHILIPS	SFR16T-2K7-5	A	EA	2	
R6	050067	RES MF 39K 5% .5W 100PPM	PHILIPS	SFR16T-39K-5	A	EA	1	
R7	050068	RES MF 150R 5% .5W 100PPM	PHILIPS	SFR16T-150K-5	A	EA	1	
R8	050069	RES MF 1M 5% .5W 250PPM	PHILIPS	SFR16T-1M-5	A	EA	1	
R9	050063	RES MF 18R 5% .5W 100PPM	PHILIPS	SFR16T-18R-5	A	EA	-	
R10	050073	RES MF 150K 5% .5W 100PPM	PHILIPS	SFR16T-150K-5	A	EA	1	
R11	050064	RES MF 10K 5% .5W 100PPM	PHILIPS	SFR16T-10K-5	A	EA	-	
R12	050073	RES MF 6K2 5% .5W 50PPM	PHILIPS	SFR16T-6K2-5	A	EA	1	
R13	06000H	NOT FITTED				EA	2	
R14	06000H	NOT FITTED				EA	-	
R15	050074	RES MF 47R 5% .5W 50PPM	PHILIPS	SFR16T-47R-5	A	EA	1	
R16	066751	RES MO 750R 2% 1W	ELECTROSIL	FP1	A	EA	1	
R17	050075	RES MF 2K2 5% .5W 50PPM	PHILIPS	SFR16T-2K2-5	A	EA	-	
R18	050063	RES MF 18R 5% .5W 100PPM	PHILIPS	SFR16T-18R-5	A	EA	-	
R19	050063	RES MF 18R 5% .5W 100PPM	PHILIPS	SFR16T-18R-5	A	EA	-	
R20	066271	RES MO 270R 2% 1W	ELECTROSIL	FP1	A	EA	1	
R21	050066	RES MF 2K7 5% .5W 100PPM	PHILIPS	SFR16T-2K7-5	A	EA	-	
R22	050064	RES MF 10K 5% .5W 100PPM	PHILIPS	SFR16T-10K-5	A	EA	-	
R23	947154	RES ME 7M15 1% .12W 100PPM	SEAGRILLE	MK2	A	EA	1	
AN1	090181-2	RES HTWK	YISHAY	SEE DRG	A	EA	1	
AN2	090181-1	RES HTWK 10K/18K5	YISHAY	SEE DRG	A	EA	1	
C1	104047	CAP MULTI CER 22NF 20% 100V	PHILIPS	K22M20X7RFV8WA	A	EA	2	
C2	104047	CAP MULTI CER 22NF 20% 100V	PHILIPS	K22M20X7RFV8WA	A	EA	-	
C3	104049	CAP MULTI CER 100NF 20% 50V	PHILIPS	K104M20X7RFV8WA	A	EA	2	
C4	104049	CAP MULTI CER 100NF 20% 50V	PHILIPS	K104M20X7RFV8WA	A	EA	1	
C5	104049	CAP MULTI CER 100NF 20% 50V	PHILIPS	K104M20X7RFV8WA	A	EA	-	
C6	104053	CAP MULTI CER 220PF 10% 50V	PHILIPS	K22M15X7RFV8WA	A	EA	1	
C7	104047	CAP MULTI CER 22NF 20% 100V	PHILIPS	K22M20X7RFV8WA	A	EA	-	
C8	104050	CAP MULTI CER 10NF 20% 50V	PHILIPS	K103M15X7RFV8WA	A	EA	1	
C9	104049	CAP MULTI CER 100NF 20% 50V	PHILIPS	K104M20X7RFV8WA	A	EA	-	
C10	180024	CAP AE 100UF 63V	PHILIPS	330-3R103	A	EA	1	
D1	200025	DIODE SW 125V/450mA LL	PHILIPS	BAS45	A	EA	-	
D2	200005	DIODE SB 200mA 30V	PHILIPS	BAT85	A	EA	1	
D3	210150	DIODE 3N 15V 400mW	PHILIPS	BCX79C15	A	EA	1	
D4	200025	DIODE SW 125V/450mA LL	PHILIPS	BAS45	A	EA	-	
D5	200025	DIODE SW 125V/450mA LL	PHILIPS	BAS45	A	EA	-	
Q1	230082	TRAN MOSFET N-CHAN 60V	SILICONIX	7M10LM	A	EA	1	
Q2	240006	TRAN NPN TC92	MOTOROLA	2N3904	A	EA	1	
Q3	240014	TRAN NPN TC92	NATIONAL	BC337	A	EA	1	
M1	260088	IC LIN OP AMP PREC.	LINEAR TECHNOLOGY	LT1013CH	A	EA	1	
M2	260089-2	IC LIN ZENER REF	LINEAR TECHNOLOGY	LT1000	A	EA	1	

DESIG	PART NO	DESCRIPTION	PRINC MANUF	MANUF PART NUMBER	CLASS	QM	QUANTITY	CHANGES
M3	260107	IC LIM OP AMP	PRECISION MONOLITHIC	940700			EA 2	
M4	260107	IC LIM OP AMP	PRECISION MONOLITHIC	940700			EA 2	
J1	605085	SOCKET PCB 4 WAY	MOLEX	02-17-2042			EA 2	
J2	605085	SOCKET PCB 4 WAY	MOLEX	02-17-2042			EA 2	
	410420-1	PCB		SEE DRG			EA 1	
	450675-1	INSULATION CAP TOP		SEE DRG			EA 1	
	450676-1	INSULATION CAP BOTTOM		SEE DRG			EA 1	
	540202	WIRE 1/2" TINNED COPPER	HEATER	2550			EA 1	
	602001	TERMINAL PSM	MOLEX	02-94-5114			EA 1	
	612051-1	STANDOFF M3 X 7	DATCOM	SEE DRG			EA 1	
	613020	WASHER M4 SDP					EA 2	
	614022-1	SPACER M3 CLENB X 7		SEE DRG			EA 2	
	620007	TEST POINT TERMINAL	MICROWAP	TYPE 120			EA 1	
	630024	BEAD CERAMIC 16 SPS	FARK ROYAL PORCELAIN	MS2			EA 1	
	630291-1	EXPANDED FOAM BLOCK OUTER		SEE DRG			EA 2	
	630292-1	EXPANDED FOAM BLOCK INNER		SEE DRG			EA 1	
	630243	BEAD GLASS 2.4 X 0.81 X 1.8	MARCONI (PREFORMS) LT	MS163B/3			EA 18	

End

DRAWING No		CHKD	DATE	ECO	REVISION	ISSUE	DATE	DATE	DATE	DATE	DATE	DATE	DATE	DATE	DATE	DATE	DATE	DATE	
400536			21.02.86		1.0	21.02.86	17.03.86	17.03.86	17.03.86	17.03.86	17.03.86	17.03.86	17.03.86	17.03.86	17.03.86	17.03.86	17.03.86	17.03.86	
400536			21.02.86		1.1	21.02.86	10.04.86	10.04.86	10.04.86	10.04.86	10.04.86	10.04.86	10.04.86	10.04.86	10.04.86	10.04.86	10.04.86	10.04.86	
400536			22.08.86		1.2	22.08.86	15.04.86	15.04.86	15.04.86	15.04.86	15.04.86	15.04.86	15.04.86	15.04.86	15.04.86	15.04.86	15.04.86	15.04.86	
400536			22.16.86		1.3	22.16.86	17.04.86	17.04.86	17.04.86	17.04.86	17.04.86	17.04.86	17.04.86	17.04.86	17.04.86	17.04.86	17.04.86	17.04.86	
400536			22.21.86		1.4	22.21.86	18.04.86	18.04.86	18.04.86	18.04.86	18.04.86	18.04.86	18.04.86	18.04.86	18.04.86	18.04.86	18.04.86	18.04.86	
400536			22.23.86		1.5	22.23.86	18.04.86	18.04.86	18.04.86	18.04.86	18.04.86	18.04.86	18.04.86	18.04.86	18.04.86	18.04.86	18.04.86	18.04.86	
400536			22.23.86		1.6	22.23.86	15.06.86	15.06.86	15.06.86	15.06.86	15.06.86	15.06.86	15.06.86	15.06.86	15.06.86	15.06.86	15.06.86	15.06.86	
400536			22.75.86		1.7	22.75.86	15.06.86	15.06.86	15.06.86	15.06.86	15.06.86	15.06.86	15.06.86	15.06.86	15.06.86	15.06.86	15.06.86	15.06.86	
400536			23.03.86		1.8	23.03.86	15.06.86	15.06.86	15.06.86	15.06.86	15.06.86	15.06.86	15.06.86	15.06.86	15.06.86	15.06.86	15.06.86	15.06.86	
400536			22.56.86		2.0	22.56.86	15.06.86	15.06.86	15.06.86	15.06.86	15.06.86	15.06.86	15.06.86	15.06.86	15.06.86	15.06.86	15.06.86	15.06.86	
400536			23.07.86		2.1	23.07.86	13.08.86	13.08.86	13.08.86	13.08.86	13.08.86	13.08.86	13.08.86	13.08.86	13.08.86	13.08.86	13.08.86	13.08.86	
400536			22.44.86		2.2	22.44.86	20.08.86	20.08.86	20.08.86	20.08.86	20.08.86	20.08.86	20.08.86	20.08.86	20.08.86	20.08.86	20.08.86	20.08.86	
400536			23.06.86		3.0	23.06.86	30.01.87	30.01.87	30.01.87	30.01.87	30.01.87	30.01.87	30.01.87	30.01.87	30.01.87	30.01.87	30.01.87	30.01.87	
400536			25.53.86		3.1	25.53.86	23.08.87	23.08.87	23.08.87	23.08.87	23.08.87	23.08.87	23.08.87	23.08.87	23.08.87	23.08.87	23.08.87	23.08.87	
400536			25.00.86		3.1	25.00.86	26.03.87	26.03.87	26.03.87	26.03.87	26.03.87	26.03.87	26.03.87	26.03.87	26.03.87	26.03.87	26.03.87	26.03.87	
400536			25.85.86		3.1	25.85.86	15.08.87	15.08.87	15.08.87	15.08.87	15.08.87	15.08.87	15.08.87	15.08.87	15.08.87	15.08.87	15.08.87	15.08.87	
400536			27.14.86		4.0	27.14.86	31.08.87	31.08.87	31.08.87	31.08.87	31.08.87	31.08.87	31.08.87	31.08.87	31.08.87	31.08.87	31.08.87	31.08.87	
400536			27.36.86		4.1	27.36.86	15.10.88	15.10.88	15.10.88	15.10.88	15.10.88	15.10.88	15.10.88	15.10.88	15.10.88	15.10.88	15.10.88	15.10.88	
400536			27.51.86		4.1	27.51.86	29.02.88	29.02.88	29.02.88	29.02.88	29.02.88	29.02.88	29.02.88	29.02.88	29.02.88	29.02.88	29.02.88	29.02.88	
P.C.B.		410258	1		1.0														
NOTES		<input type="checkbox"/> INDICATES NO CHANGE TO DOC AT ISSUE LEVEL CHANGE.																	
datron INSTRUMENTS NORWICH ENGLAND				DRN 11		CHKD R.K. COGGAN		APPD [Signature]		TITLE 4700 DC PCB ASSY			DRAWING No. 400536 SHEET 1 OF 18						
DATE		DATE		DATE		DATE		DATE		DATE		DATE		DATE		DATE		DATE	
6.3.86		18/3/86		8.8.86															

DESIGNATOR	DATRON PART No	DESCRIPTION	PRINCIPAL MANUFACTURER	MANUFACTURER'S PART No.	No USED Per Assy.
R1	000274	270k 5% 1/3W CARBON			2
R2	000472	4k7 5% 1/3W CARBON			3
R3	000274	270k 5% 1/3W CARBON			-
R4	019091	9k09 1% 1/8W 50ppm MF	HOLCO	H8C	3
R5	011002	10k0 1% 1/8W 50ppm MF	HOLCO	H8C	3
R6	000472	4k7 5% 1/3W CARBON			-
R7	014992	49k9 1% 1/8W 50ppm MF	HOLCO	H8C	1
R8	012212	22k1 1% 1/8W 50ppm MF	HOLCO	H8C	1
R9	014322	43k2 1% 1/8W 50ppm MF	HOLCO	H8C	1
R10	012742	27k4 1% 1/8W 50ppm MF	HOLCO	H8C	3
R11	012742	27k4 1% 1/8W 50ppm MF	HOLCO	H8C	-
R12	000133	13k 5% 1/3W CARBON			2
R13	012742	27k4 1% 1/8W 50ppm MF	HOLCO	H8C	-
R14	000105	1M 5% 1/3W CARBON			2
R15	041005	10M0 1% 1/2W 100ppm CF	ALLEN BRADLEY	CC	10
R16	041005	10M0 1% 1/2W 100ppm CF	ALLEN BRADLEY	CC	-
R17	090157-1	GM ATTEN. SET		SEE DRG	1
R18	000105	1M 5% 1/3W CARBON			-
R19	000244	240k 5% 1/3W CARBON			1
R20	000104	100k 5% 1/3W CARBON			4
R21	000103	10k 5% 1/3W CARBON			5
R22	000164	160k 5% 1/3W CARBON			1
R23	000104	100k 5% 1/3W CARBON			-

NOTES

SEE SHEET 2 FOR LATEST ISSUE

DATE	27.2.86		TITLE	4700 DC PCB ASSY
DRAWN	11		DRAWING NUMBER	400536
CHECKED			SHEET	2 OF 18
APPROVED				
DATE				

DESIGNATOR	DATRON PART No.	DESCRIPTION	PRINCIPAL MANUFACTURER	MANUFACTURER'S PART No.	Qty. USED Per Assy.
R24	000104	100k 5% 1/3W CARBON			-
R25	041005	10M0 1% 1/8W 100ppm CF	ALLEN BRADLEY	CC	-
R26	041005	10M0 1% 1/8W 100ppm CF	ALLEN BRADLEY	CC	-
R27	090157-1	6M ATTEN. SET		SEE DRG.	-
R28	090159-1	1k/111R11 ATTEN SET		SEE DRG.	1
R29		NOT USED			-
R30	045623	562k 1% 1/8W 50ppm MF	ALLEN BRADLEY	CC	2
R31	017500	750R1% 1/8W 50ppm MF	HOLCO	H8C	1
R32	045623	562k 1% 1/8W 50ppm MF	ALLEN BRADLEY	CC	-
R33	013161	3k16 1% 1/8W 50ppm MF	HOLCO	H8C	2
R34	000153	15k 5% 1/3W CARBON			2
R35	000153	15k 5% 1/3W CARBON			-
R36	000472	4k7 5% 1/3W CARBON			-
R37	011001	1k00 1% 1/8W 50ppm MF	HOLCO	H8C	2
R38	011001	1k00 1% 1/8W 50ppm MF	HOLCO	H8C	-
R39	013161	3k16 1% 1/8W 50ppm MF	HOLCO	H8C	-
R40	000272	2k7 5% 1/3W CARBON			1
R41	000273	27k 5% 1/3W CARBON			1
R42	000155	1M5 5% 1/3W CARBON			1
R43	041005	10M0 1% 1/2W 100ppm CF	ALLEN BRADLEY	CC	-
R44	041005	10M0 1% 1/2W 100ppm CF	ALLEN BRADLEY	CC	-
R45	090157-1	6M ATTEN. SET		SEE DRG.	-
R46	000103	10k 5% 1/3W CARBON			-

NOTES.

SEE SHEET 2 FOR LATEST ISSUE

ISS																							
ECD																							
DATE																							
CHKD																							

DATE	25.2.86	datron ELECTRONICS LTD	
DRAWN		TITLE	
CHECKED		4700 DC PCB ASSY.	
APPROVED		DRAWING NUMBER 400536	
DATE		SHEET 3 OF 18	

DESIGNATOR	DATRON PART No.	DESCRIPTION	PRINCIPAL MANUFACTURER	MANUFACTURER'S PART No.	Qty. USED Per Assy.
R47	000202	2k0 5% 1/3W CARBON			2
R48	000183	18k 5% 1/3W CARBON			1
R49	011651	1k65 1% 1/8W 50ppm MF	HOLCO	H8C	1
R50	011002	10k 1% 1/8W 50ppm MF	HOLCO	H8C	1
R51	018450	845R 1% 1/8W 50ppm MF	HOLCO	H8C	1
R52	012002	20k 1% 1/8W 50ppm MF	HOLCO	H4C	1
R53	012491	2k49 1% 1/8W 50ppm MF	HOLCO	H8C	1
R54	000202	2k0 5% 1/3W CARBON			-
R55	012611	2k61 1% 1/8W 50ppm MF	HOLCO	H8C	1
R56	011008	10R0 1% 1/8W 50ppm MF	HOLCO	H8C	1
R57	000104	100k 5% 1/3W CARBON			-
R58	000102	1k 5% 1/3W CARBON			2
R59	012261	2k26 1% 1/8W 50ppm MF	HOLCO	H8C	2
R60	012261	2k26 1% 1/8W 50ppm MF	HOLCO	H8C	-
R61	017501	7k50 1% 1/8W 50ppm MF	HOLCO	H8C	1
R62	011002	10k0 1% 1/8W 50ppm MF	HOLCO	H8C	-
R63	018251	8k25 1% 1/8W 50ppm MF	HOLCO	H8C	1
R64	046813	681k 1% 1/2W 100ppm CF	ALLEN BRADLEY	CC	2
R65	012211	2k21 1% 1/8W 50ppm MF	HOLCO	H8C	2
R66	000683	68k 5% 1/3W CARBON			2
R67	008067	100R 5% 1W MF	VISHAY	SI05K	1
R68	017321	7k32 1% 1/8W 50ppm MF	HOLCO	H8C	1
R69	012211	2k21 1% 1/8W 50ppm MF	HOLCO	H8C	-

NOTES.

SEE SHEET 2 FOR LATEST ISSUE

ISS																							
ECD																							
DATE																							
CHKD																							

DATE	25.2.86	datron ELECTRONICS LTD	
DRAWN		TITLE	
CHECKED		4700 DC PCB ASSY.	
APPROVED		DRAWING NUMBER 400536	
DATE		SHEET 4 OF 18	

DESIGNATOR	DATRON PART No.	DESCRIPTION	PRINCIPAL MANUFACTURER	MANUFACTURER'S PART No.	No. USED Per Assy.
R70	046813	681k 1% 1/2W 100ppm CF	ALLEN BRADLEY	CC	-
R71	000683	68k 5% 1/3W CARBON			-
R72	000470	47R 5% 1/3W CARBON			2
R73	000330	33R 5% 1/3W CARBON			1
R74	041005	10M0 1% 1/2W 100ppm CF	ALLEN BRADLEY	CC	-
R75	041005	10M0 1% 1/2W 100ppm CF			-
R76	090157-1	6M ATTEN. SET		SEE DRG.	-
R77	019091	9K09 1% 1/8W 50ppm MF	HOLCO	H8C	-
R78	000470	47R 5% 1/3W CARBON			-
R79	000562	5K6 5% 1/3W CARBON			1
R80	000391	390R 5% 1/3W CARBON			1
R81	000222	2K2 5% 1/3W CARBON			1
R82	000133	13k 5% 1/3W CARBON			-
R83	050059	1M5 1% 2W 100ppm MF	HOLCO	H803RE	1
R84	013011	3K01 1% 1/8W 50ppm MF	HOLCO	H8C	1
R85	090157-1	1M MATCHED SET		SEE DRG.	-
R86	041005	10M0 1% 1/2W 100ppm CF	ALLEN BRADLEY	CC	-
R87	000913	91k 5% 1/3W CARBON			1
R88	000912	91k 5% 1/3W CARBON			1
R89	000102	1K 5% 1/3W CARBON			-
R90	041005	10M 1% 1/2W 100ppm CF	ALLEN BRADLEY	CC	-
R91	012001	2K00 1% 1/8W 50ppm MF	HOLCO	H8C	2
R92	000393	39k 5% 1/3W CARBON			2

NOTES:

SEE SHEET 2 FOR LATEST ISSUE

ISS																							
E.C.O.																							
DATE																							
CHKD																							

DATE	25.2.86	datron ELECTRONICS LTD
DRAWN		
CHECKED		TITLE
APPROVED		4700 DC. PCB. ASSY.
DATE		DRAWING NUMBER
		400536
		SHEET
		5 OF 18

DESIGNATOR	DATRON PART No.	DESCRIPTION	PRINCIPAL MANUFACTURER	MANUFACTURER'S PART No.	No. USED Per Assy.
R93	000152	1K5 5% 1/3W CARBON			1
R94	011302	13k0 1% 1/8W 50ppm MF	HOLCO	H8C	2
R95	000103	10K 5% 1/3W CARBON			-
R96	000103	10K 5% 1/3W CARBON			-
R97	090001	PTC THERMISTOR	MULLARD	VA8650	1
R98	012008	20R0 1% 1/8W 50ppm MF	HOLCO	H8C	1
R99	041825	18M2 1% 1/2W 100ppm MF	ALLEN BRADLEY	CC	1
R100	041824	1M82 1% 1/2W 100ppm MF	ALLEN BRADLEY	CC	1
R101	090157-1	6M ATTEN SET (100k)		SEE DRG.	-
R102	012001	2K00 1% 1/8W 50ppm MF	HOLCO	H8C	-
R103	011302	13k0 1% 1/8W 50ppm MF	HOLCO	H8C	-
R104	000393	39k 5% 1/3W CARBON			-
R105	000473	47k 5% 1/3W CARBON			2
R106	000473	47k 5% 1/3W CARBON			-
R107	050062	51R0 1% 1W 250ppm M.O.	WELWYN	M8G	1
R108	021820	182R 1% 1/4W 50ppm MF	HOLCO	H4C	1
R109	000512	5K1 5% 1/3W CARBON			2
R110	000512	5K1 5% 1/3W CARBON			-
R111	011000	100R 1% 1/8W 50ppm MF	HOLCO	H8C	2
R112	011000	100R 1% 1/8W 50ppm MF	HOLCO	H8C	-
R113	019091	9K09 1% 1/8W 50ppm MF	HOLCO	H8C	-
R114	011002	10k0 1% 1/8W 50ppm MF	HOLCO	H8C	-
R115	019092	90k9 1% 1/8W 50ppm MF	HOLCO	H8C	1

NOTES:

SEE SHEET 2 FOR LATEST ISSUE

ISS																							
E.C.O.																							
DATE																							
CHKD																							

DATE	25.2.86	datron ELECTRONICS LTD
DRAWN		
CHECKED		TITLE
APPROVED		4700 DC. PCB. ASSY.
DATE		DRAWING NUMBER
		400536
		SHEET
		6 OF 18





DESIGNATOR	DATRON PART No.	DESCRIPTION	PRINCIPAL MANUFACTURER	MANUFACTURER'S PART No.	QUANTITY USED
C24	104026	47nF $\pm 50\%$ 50V CER DISC	SIEMENS	B37449	-
C25	150023	33 $\mu$ F 20% 25V DIP TANT	UNION CARBIDE	K33E25	-
C26	150020	10 $\mu$ F 20% 25V DIP TANT	UNION CARBIDE	K10E25	2
C27	150020	10 $\mu$ F 20% 25V DIP TANT	UNION CARBIDE	K10E25	-
C28	110055	68nF 10% 100V POLYESTER	WIMA	MKS4	1
C29	100390	39pF 2% 100V CER PLATE	MULLARD	2222 683 34339	1
C30	120014	2 $\mu$ F 20% 63V POLYCARB	ASHCROFT	A28	1
C31	100560	56pF 2% 100V CER PLATE	MULLARD	2222 683 34563	1
C32	104026	47nF $\pm 50\%$ 50V CER DISC	SIEMENS	B37449	-
C33	150023	33 $\mu$ F 20% 25V DIP TANT	UNION CARBIDE	K33E25	-
C34	104026	47nF $\pm 50\%$ 50V CER DISC	SIEMENS	B37449	-
C35	150023	33 $\mu$ F 20% 25V DIP TANT	UNION CARBIDE	K33E25	-
C36	104026	47nF $\pm 50\%$ 50V CER DISC	SIEMENS	B37449	-
C37	104026	47nF $\pm 50\%$ 50V CER DISC	SIEMENS	B37449	-
C38	104026	47nF $\pm 50\%$ 50V CER DISC	SIEMENS	B37449	-
C39	101103	10nF 25% 250V CER DISC	ITT	CD10	1
C40	140004	68nF 10% 400V POLYPROP	WIMA	MKP10	1
C41	100101	100pF 2% 100V CER PLATE	MULLARD	2222-683-34101	-
C42	110051	470nF 10% 63V POLYESTER	WIMA	MKS2	1
C43	100391	390pF 10% 100V CER PLATE	MULLARD	2222-630-19391	1
C44	100221	220pF 2% 100V CER PLATE	MULLARD	2222-683-58221	1
C45	100471	470pF 10% 100V CER PLATE	MULLARD	222-630-19471	1
C46	110042	100nF 20% 63V POLYESTER	WIMA	MKS2	-

NOTES

SEE SHEET 2 FOR LATEST ISSUE

ISS																				
EC'D																				
DATE																				
CHKD																				

DATE	25.2.86	
DRAWN		
CHECKED		TITLE
APPROVED		4700 DC. PCB. ASSY.
DATE		DRAWING NUMBER
		400536
		SHEET
		9
		OF 18

DESIGNATOR	DATRON PART No.	DESCRIPTION	PRINCIPAL MANUFACTURER	MANUFACTURER'S PART No.	QUANTITY USED
C47	110050	22nF 10% 63V POLYESTER	WIMA	MKS2	-
C48	110050	22nF 10% 63V POLYESTER	WIMA	MKS2	-
C49	130086	30nF 1% 63V POLYSTYRENE	MULLARD	424 43003	1
C50	150016	1 $\mu$ F 20% 35V DIP TANT	UNION CARBIDE	K1RE35	-
C51	110042	100nF 20% 63V POLYESTER	WIMA	MKS2	-
C52	110039	470nF 20% 63V POLYESTER	WIMA	MKS2	4
C53	110039	470nF 20% 63V POLYESTER	WIMA	MKS2	-
C54	110039	470nF 20% 63V POLYESTER	WIMA	MKS2	-
C55	110039	470nF 20% 63V POLYESTER	WIMA	MKS2	-
C56	120036	470pF 20% 160V POLYCARB	WIMA	FKC3	1
C57	100220	22pF 2% 100V CER PLATE	MULLARD	2222-683-34229	1
C58	150001	22 $\mu$ F 20% 16V DIP TANT	UNION CARBIDE	K22E16	2
C59	150001	22 $\mu$ F 20% 16V DIP TANT	UNION CARBIDE	K22E16	-
C60	150002	10 $\mu$ F 20% 16V DIP TANT	UNION CARBIDE	K10E16	2
C61	150002	10 $\mu$ F 20% 16V DIP TANT	UNION CARBIDE	K10E16	-
C62	104032	220pF 10% 2KV CER DISC	ITT	HD09	1
C63	110026	68nF 20% 100V POLYESTER	WIMA	FKS2	1
C64	140071	470pF 1% 500V GLASS	CORNING ELECTROSIL	CYFM15	2
C65	104045	1 $\mu$ F $\pm 20\%$ 50V CER PLATE	MULLARD	CZ30C 105Z	2
C66	104045	1 $\mu$ F $\pm 30\%$ 50V CER PLATE	MULLARD	CZ30C 105Z	-
C67	100270	27pF 2% 100V CER PLATE	MULLARD	2222-683-34279	1
C68	140071	470pF 1% 500V GLASS	CORNING ELECTROSIL	CYFM15	-

NOTES

SEE SHEET 2 FOR LATEST ISSUE

ISS																				
EC'D																				
DATE																				
CHKD																				

DATE	25.2.86	
DRAWN		
CHECKED		TITLE
APPROVED		4700 DC. PCB. ASSY.
DATE		DRAWING NUMBER
		400536
		SHEET
		10
		OF 18

DESIGNATOR	DATRON PART No.	DESCRIPTION	PRINCIPAL MANUFACTURER	MANUFACTURER'S PART No.	No. USED For Assy.
D1	213009	15V 5W ZENER	UNITRODE	TVS515	3
D2	213009	15V 5W ZENER	UNITRODE	TVS515	1
D3	200001	75mA 75V GP Si DIODE	FAIRCHILD	IN4148	10
D4	213006	5V 5W ZENER	UNITRODE	TVS505	4
D5	213006	5V 5W ZENER	UNITRODE	TVS505	1
D6	200001	75mA 75V GP Si DIODE	FAIRCHILD	IN4148	1
D7	200001	75mA 75V GP Si DIODE	FAIRCHILD	IN4148	1
D8	213009	15V 5W ZENER	UNITRODE	TVS515	1
D9	200001	75mA 75V GP Si DIODE	FAIRCHILD	IN4148	1
D10	200001	75mA 75V GP Si DIODE	FAIRCHILD	IN4148	1
D11	213006	5V 5W ZENER	UNITRODE	TVS505	1
D12	213006	5V 5W ZENER	UNITRODE	TVS505	1
D13	213025	3V3 5W ZENER	SIEMENS	IN5333B	2
D14	210033	3V3 400mW ZENER	MULLARD	BZY88C3V3	3
D15	200001	75mA 75V GP Si DIODE	FAIRCHILD	IN4148	1
D16	200001	75mA 75V GP Si DIODE	FAIRCHILD	IN4148	1
D17	214014	1V22 100ppm ZENER	TELEDYNE	9491BJ	6
D18	214014	1V22 100ppm ZENER	TELEDYNE	9491BJ	1
D19	213008	24V 5W ZENER	UNITRODE	TVS524	2
D20	213008	24V 5W ZENER	UNITRODE	TVS524	1
D21	200002	1A 50V GP Si DIODE	FAIRCHILD	IN4001	12
D22	200002	1A 50V GP Si DIODE	FAIRCHILD	IN4001	1
D23	200002	1A 50V GP Si DIODE	FAIRCHILD	IN4001	1

NOTES:

SEE SHEET 2 FOR LATEST ISSUE

ISS														
REV														
DATE														
TIME														

DATE 25.2.86

**datron** ELECTRONICS LTD

TITLE 4700 DC PCB. ASSY.

DRAWING NUMBER 400536

SHEET 11 OF 18

DESIGNATOR	DATRON PART No.	DESCRIPTION	PRINCIPAL MANUFACTURER	MANUFACTURER'S PART No.	No. USED For Assy.
D24	200002	1A 50V GP Si DIODE	FAIRCHILD	IN4001	1
D25	213025	3V3 5W ZENER	SIEMENS	IN5333B	1
D26	214014	1V22 100ppm ZENER	TELEDYNE	9491BJ	1
D27	214014	1V22 100ppm ZENER	TELEDYNE	9491BJ	1
D28	200001	75mA 75V GP Si DIODE	FAIRCHILD	IN4148	1
D29	200001	75mA 75V GP Si DIODE	FAIRCHILD	IN4148	1
D30	213011	1V5 250mW ZENER	MULLARD	BZY46-1V5	1
D31	213001	10V 5W ZENER	MOTOROLA	IN5347B	1
D32	200002	1A 50V GP Si DIODE	FAIRCHILD	IN4001	1
D33	200002	1A 50V GP Si DIODE	FAIRCHILD	IN4001	1
D34	200002	1A 50V GP Si DIODE	FAIRCHILD	IN4001	1
D35	200002	1A 50V GP Si DIODE	FAIRCHILD	IN4001	1
D36	210033	3V3 400mW ZENER	MULLARD	BZY88C3V3	1
D37	210033	3V3 400mW ZENER	MULLARD	BZY88C3V3	1
D38	200008	200mA 125V LL Si DIODE	FAIRCHILD	IN458A	2
D39	200008	200mA 125V LL Si DIODE	FAIRCHILD	IN458A	1
D40	214014	1V22 100ppm ZENER	TELEDYNE	9491BJ	1
D41	214014	1V22 100ppm ZENER	TELEDYNE	9491BJ	1
D42	220020	FET DIODE 100pA Ir	TELEDYNE	PAD100	2
D43	220020	FET DIODE 100pA Ir	TELEDYNE	PAD100	1
D44	200002	1A 50V GP Si DIODE	FAIRCHILD	IN4001	1
D45	200002	1A 50V GP Si DIODE	FAIRCHILD	IN4001	1
D46	200002	1A 50V GP Si DIODE	FAIRCHILD	IN4001	1

NOTES:

SEE SHEET 2 FOR LATEST ISSUE

ISS														
REV														
DATE														
TIME														

DATE 25.2.86

**datron** ELECTRONICS LTD

TITLE 4700 DC PCB. ASSY.

DRAWING NUMBER 400536

SHEET 12 OF 18

DESIGNATOR	DATRON PART No.	DESCRIPTION	PRINCIPAL MANUFACTURER	MANUFACTURER'S PART No.	QUANTITY REQUIRED
D47	200002	1A 50V GP SI DIODE	FAIRCHILD	IN4001	-
D48	210062	6V2 400mW ZENER	MULLARD	BZY88C6V2	2
D49	210062	6V2 400mW ZENER	MULLARD	BZY88C6V2	-
D50	210047	4V7 400mW ZENER	MULLARD	BZY88C4V7	2
D51	210047	4V7 400mW ZENER	MULLARD	BZY88C4V7	-
D52	200001	75mA 75V GP SI DIODE	FAIRCHILD	IN4148	-
Q1	230036B	N-CHAN JFET	SILICONIX	J108	1
Q2	230042	N-CHAN I LIM 3.0 mA	SILICONIX	J509	2
Q3	230042	N-CHAN I LIM 3.0 mA	SILICONIX	J509	-
Q4	240001	Si NPN TRANSISTOR	NATIONAL	BC184/TO18	1
Q5	230031	N-CHAN DUAL JFET	TELEDYNE	U404	2
Q6	240018	Si NPN TRANSISTOR	MOTOROLA	MJE340	1
Q7	250025	Si PNP TRANSISTOR	MOTOROLA	MJE350	1

NOTES

SEE SHEET 2 FOR LATEST ISSUE

DATE	25.2.86	<b>datron</b> ELECTRONICS LTD TITLE <b>4700 DC PCB ASSY</b> DRAWING NUMBER <b>400536</b>
DRAWN		
CHECKED		
APPROVED		
DATE		SHEET <b>13</b> OF <b>18</b>

DESIGNATOR	DATRON PART No.	DESCRIPTION	PRINCIPAL MANUFACTURER	MANUFACTURER'S PART No.	QUANTITY REQUIRED
Q8	230001	N-CHAN I LIM 1.4 mA	SILICONIX	J506	2
Q9	230001	N-CHAN I LIM 1.4 mA	SILICONIX	J506	-
Q10	230031	N-CHAN DUAL JFET	SILICONIX	U404	-
M1	260086	DUAL 2W AUDIO AMP	NATIONAL	LM1877N	1
M2	260042	5532 DUAL OP AMP	SIGNETICS	NE5532N	3
M3	280023	QUAD 2 1/P OR	MOTOROLA	MC14001UBCP	1
M4	280045	TRIPLE 3 1/P NDR	MOTOROLA	MC14025BCP	1
M5	280079	QUAD 2 1/P OR	MOTOROLA	MC14071BCP	2
M6	280035	BCD/DECIMAL DECODER	MOTOROLA	MC14028BCP	1
M7		NOT USED			-
M8		NOT USED			-
M9		NOT USED			-
M10	280079	QUAD 2 1/P OR	MOTOROLA	MC14071BCP	-
M11	280009	HEX INVERTER	MOTOROLA	MC14049UBCP	1
M12	280034	DUAL MONOSTABLE	MOTOROLA	MC14528BCP	1
M13	260075	2903 DUAL COMPARATOR	NATIONAL	LM2903N	1
M14	260042	5532 DUAL OP AMP	SIGNETICS	NE5532N	-
M15	260042	5532 DUAL OP AMP	SIGNETICS	NE5532N	-
M16	260073	411 OP AMP	NATIONAL	LF411CN	1
M17	260049	319 DUAL COMPARATOR	NATIONAL	LM319N	1

NOTES

SEE SHEET 2 FOR LATEST ISSUE

DATE	25.2.86	<b>datron</b> ELECTRONICS LTD TITLE <b>4700 DC PCB ASSY</b> DRAWING NUMBER <b>400536</b>
DRAWN		
CHECKED		
APPROVED		
DATE		SHEET <b>14</b> OF <b>18</b>

DESIGNATOR	DATRON PART NO.	DESCRIPTION	PRINCIPAL MANUFACTURER	MATERIAL NUMBER'S PART NO.	Qty. USED In Assy
M18	260080	311 COMPARATOR	NATIONAL	LM311N	1
M19	220027	HIGH CMR OPTO ISOLATOR	HP	HCPL-2601 (5082-4361)	1
M20	260027	714 OP AMP.	FAIRCHILD	$\mu$ A 714 HC	1
M21	260082	1052 OP AMP.	LINEAR TECH.	LTC 1052 CN8	1
M22	260081	5534A OP AMP.	SIGNETICS	NE5534 AN	1
M23	260059	0002 BUFFER AMP	NATIONAL	LH0002 CH	1
RL1	330040	RELAY 1P 2W	SDS	DS1E-SL-6V	5
RL2	330039	RELAY 4P N/O	SDS	S4-L-6V	6
RL3	330040	RELAY 1P 2W	SDS	DS1E-SL-6V	-
RL4	330039	RELAY 4P N/O	SDS	S4-L-6V	-
RL5	330041	RELAY 2P 2W	SDS	DS2E-SL-6V	2
RL6	330041	RELAY 2P 2W	SDS	DS2E-SL-6V	-
RL7	330039	RELAY 4P N/O	SDS	S4-L-6V	-
RL8	330042-2	RELAY 3P N/O ; 1P N/C		SEE DRG	1
RL9	330038	RELAY 2P N/O	SDS	S2-L-6V	3
RL10	330039	RELAY 4P N/O	SDS	S4-L-6V	-
RL11	330039	RELAY 4P N/O	SDS	S4-L-6V	-
RL12	330040	RELAY 1P 2W	SDS	DS1E-SL-6V	-

NOTES

SEE SHEET 2 FOR LATEST ISSUE

NO.	DATE	BY	REVISION

DATE	25. 2. 86	datron ELECTRONICS LTD	
QUANTITY		TITLE	
CHECKED		4700 DC PCB ASSY	
APPROVED		DRAWING NUMBER	400536
DATE		SHEET	15 OF 18

DESIGNATOR	DATRON PART NO.	DESCRIPTION	PRINCIPAL MANUFACTURER	MATERIAL NUMBER'S PART NO.	Qty. USED In Assy
RL13	330040	RELAY 1P 2W	SDS	DS1E-SL-6V	-
RL14	330038	RELAY 2P N/O	SDS	S2-L-6V	-
RL15	330030	RELAY 4P N/O	SDS	S4-24V	1
RL16	330038	RELAY 2P N/O	SDS	S1-L-6V	-
RL17	330040	RELAY 1P 2W	SDS	DS1E-SL-6V	-
RL18	330039	RELAY 4P N/O	SDS	S4-L-6V	-
L1	370001	10 $\mu$ H 0.85 $\Omega$ RF CHOKE	PLESSEY	58/10/0011/10	7
L2	370001	10 $\mu$ H 0.85 $\Omega$ RF CHOKE	PLESSEY	58/10/0011/10	-
L3	370001	10 $\mu$ H 0.85 $\Omega$ RF CHOKE	PLESSEY	58/10/0011/10	-
L4	370001	10 $\mu$ H 0.85 $\Omega$ RF CHOKE	PLESSEY	58/10/0011/10	-
L5	370001	10 $\mu$ H 0.85 $\Omega$ RF CHOKE	PLESSEY	58/10/0011/10	-
L6	370012	470nH 0.1 $\Omega$ RF CHOKE	SIGMA	SC10	1
L7	370001	10 $\mu$ H 0.85 $\Omega$ RF CHOKE	PLESSEY	58/10/0011/10	-
L8	370001	10 $\mu$ H 0.85 $\Omega$ RF CHOKE	PLESSEY	58/10/0011/10	-
W1	209003	1A5 100V BRIDGE RECT.	MICRO-ELECTRONICS	W001	1

NOTES

SEE SHEET 2 FOR LATEST ISSUE

NO.	DATE	BY	REVISION

DATE	25 2 86	datron ELECTRONICS LTD	
QUANTITY		TITLE	
CHECKED		4700 DC PCB ASSY	
APPROVED		DRAWING NUMBER	400536
DATE		SHEET	16 OF 18

DESIGNATOR	DATRON PART No	DESCRIPTION	PRINCIPAL MANUFACTURER	MANUFACTURER'S PART No	No. USED Per Assy
F1	920120	FUSE 1A 125V 7mm	LITTLEFUSE	275-001	5
F2	920120	250mA PIGTAIL FUSE	BESWICK	TDC 483	1
F3	920120	FUSE 1A 125V 7mm	LITTLEFUSE	275-001	-
F4	920120	FUSE 1A 125V 7mm	LITTLEFUSE	275-001	-
F5	920120	FUSE 1A 125V 7mm	LITTLEFUSE	275-001	-
F6	920120	FUSE 1A 125V 7mm	LITTLEFUSE	275-001	-
	400668-1	CLAMP PCB ASSY	DATRON		1
	410258-2	PCB			1
	540002	22SWG BTC WIRE			A/R
	604046	3WAY .1" PCB PLUG GD PL	MOLEX	22-10-2031	6
	605059	8WAY DIL SOCKET	JERMYN	J23-18008	9
	605060	14 WAY DIL SOCKET	JERMYN	J23-18014	6
	605061	16 WAY DIL SOCKET	JERMYN	J23-18016	3
	605127	2 WAY .1" SHORTING SKT	ASSMANN	AKSPL-G	6
	602001	FSY TERMINAL	MOLEX	02-04-5114	2
	620007	TEST POINT TERMINAL	MICROVAR	TYPE C30	21
	630024	STEATITE BEAD 16SWG-	PARK ROYAL PORCELAIN	Nº2 LARGE	68
	630036	STEATITE BEAD 18SWG-	PARK ROYAL PORCELAIN	Nº1 SMALL	26
	630119	PCB EJECTOR ORANGE	RICHCO	CBE	2
	605070	20 WAY DIL SOCKET	JERMYN	J23-18020	3
	620006	SOLDER TURRET	HARWIN	H9001-01	10

NOTES.

SEE SHEET 2 FOR LATEST ISSUE

ISS	
ECO	
DATE	
CHKD	

DATE	10.6.85	datron ELECTRONICS LTD
DRAWN		
CHECKED		TITLE
APPROVED		4700 DC PCB ASSY
DATE		DRAWING NUMBER
		400536
		SHEET
		17 OF 18

DESIGNATOR	DATRON PART No	DESCRIPTION	PRINCIPAL MANUFACTURER	MANUFACTURER'S PART No	No. USED Per Assy
	512999	7/2 PTFE INS. WIRE WHI			A/R
	590004	SLEEVE Ø1.0 PTFE	HELLERMANN	FE10	A/R
	590007	LACING CORD		MW/062 BLACK	A/R
	630243	GLASS BEAD 2.4% x 0.8% x 1.8	MANSOL (PREFORMS)	M53638/3	34
	618004	MOUNTING PAD TO18	JERMYN	TO18-008D	2
	900004	SILICONE RUBBER COMP.	RS	555-58B	A/R

NOTES.

SEE SHEET 2 FOR LATEST ISSUE

ISS	
ECO	
DATE	
CHKD	

DATE	25.2.86	datron ELECTRONICS LTD
DRAWN		
CHECKED		TITLE
APPROVED		4700 DC PCB ASSY
DATE		DRAWING NUMBER
		400536
		SHEET
		18 OF 18

DRAWING No <b>400909</b>		THIRD	
DOCUMENT LIST		DATE	
DISTRIBUTION		ECC	
REVISION		ISSUE	
DESCRIPTION		DRAWING NUMBER	SHEET NUMBER
PARTS LIST		LP 400909	1
ASSEMBLY DRAWING		DA 400909	1
CIRCUIT DIAGRAM		DC 400909	1
		DC 400909	2
		DC 400909	3
TEST PROCEDURE		PT 400909	ALL
TEST SPECIFICATION			
PCB		410258	1
NOTES			
<input type="checkbox"/> DENOTES NO CHANGE TO DCS AT ISSUE LEVEL CHANGE			DRN D.T. (TRYCO) DATE 20.2.89 CHECKED BY RB DATE 10.3.89 REVISION BY RB DATE 13/3/89
		TITLE 4708	DRAWING No 400909
		OUTPUT CONTROL	SHEET 1 OF 1
		PCB ASSY	

DATRON INSTRUMENTS LTD PARTS LIST 10-Mar-89 DESIG ASSY PCB OUTPUT CONTROL 4708 UPO NO: LP400-00-1 REV: 1 PCB ASSY

DESIG	PART NO	DESCRIPTION	PRINC MANUF	MANUF PART NUMBER	CLASS	QTY	UNITS	QTY	UNITS
R1	000274	RES CF 270K 5% .25W	NEOHM	CFR25	A	EA	2		
R2	000472	RES CF 4K7 5% .25W	NEOHM	CFR25	A	EA	2		
R3	000274	RES CF 270K 5% .25W	NEOHM	CFR25	A	EA	2		
R4	019091	RES MF 9K09 1% .12W 50PPM	HOLSWORTHY	H8C	A	EA	1		
R5	011002	RES MF 10K0 1% .12W 50PPM	HOLSWORTHY	H8C	A	EA	1		
R6	000472	RES CF 4K7 5% .25W	NEOHM	CFR25	A	EA	2		
R7	014992	RES MF 49K9 1% .12W 50PPM	HOLSWORTHY	H8C	A	EA	1		
R8	012212	RES MF 22K1 1% .12W 50PPM	HOLSWORTHY	H8C	A	EA	1		
R9	014322	RES MF 43K2 1% .12W 50PPM	HOLSWORTHY	H8C	A	EA	1		
R10	012742	RES MF 27K4 1% .12W 50PPM	HOLSWORTHY	H8C	A	EA	1		
R11	012742	RES MF 27K4 1% .12W 50PPM	HOLSWORTHY	H8C	A	EA	1		
R12	000133	RES CF 13K 5% .25W	NEOHM	CFR25	A	EA	2		
R13	012742	RES MF 27K4 1% .12W 50PPM	HOLSWORTHY	H8C	A	EA	1		
R14	000105	RES CF 1M0 5% .25W	NEOHM	CFR25	A	EA	2		
R18	000105	RES CF 1M0 5% .25W	NEOHM	CFR25	A	EA	2		
R19	000244	RES CF 240K 5% .25W	NEOHM	CFR25	A	EA	1		
R20	000104	RES CF 100K 5% .25W	NEOHM	CFR25	A	EA	1		
R21	000103	RES CF 10K 5% .25W	NEOHM	CFR25	A	EA	1		
R22	000164	RES CF 160K 5% .25W	NEOHM	CFR25	A	EA	1		
R23	000104	RES CF 100K 5% .25W	NEOHM	CFR25	A	EA	1		
R24	000104	RES CF 100K 5% .25W	NEOHM	CFR25	A	EA	1		
R61	017501	RES MF 7K50 1% .12W 50PPM	HOLSWORTHY	H8C	A	EA	1		
R62	011002	RES MF 10K0 1% .12W 50PPM	HOLSWORTHY	H8C	A	EA	1		
R63	018251	RES MF 9K25 1% .12W 50PPM	HOLSWORTHY	H8C	A	EA	1		
R64	046813	RES MF 681K 1% .12W 50PPM	HOLSWORTHY	H8C	A	EA	1		
R65	012211	RES MF 22K1 1% .12W 50PPM	HOLSWORTHY	H8C	A	EA	1		
R66	000683	RES CF 68K 5% .25W	NEOHM	CFR25	A	EA	1		
R68	017321	RES MF 7K32 1% .12W 50PPM	HOLSWORTHY	H8C	A	EA	1		
R69	012211	RES MF 22K1 1% .12W 50PPM	HOLSWORTHY	H8C	A	EA	1		
R70	046813	RES MF 681K 1% .12W 50PPM	HOLSWORTHY	H8C	A	EA	1		
R71	000683	RES CF 68K 5% .25W	NEOHM	CFR25	A	EA	1		
R72	000472	RES CF 4K7 5% .25W	NEOHM	CFR25	A	EA	2		
R78	000470	RES CF 4K7 5% .25W	NEOHM	CFR25	A	EA	2		
R79	000562	RES CF 5K6 5% .25W	NEOHM	CFR25	A	EA	2		
R80	000391	RES CF 390R 5% .25W	NEOHM	CFR25	A	EA	2		
R81	000222	RES CF 2K2 5% .25W	NEOHM	CFR25	A	EA	1		
R82	000133	RES CF 13K 5% .25W	NEOHM	CFR25	A	EA	1		
R83	050059	RES TF 1M5 1% 2W 10K7	NEOHM	CFR25	A	EA	1		
R84	013511	RES MF 3K01 1% .12W 50PPM	HOLSWORTHY	H8C	A	EA	1		
R87	090001	THERMISTOR PTC 50K	NEOHM	CFR25	A	EA	1		
R99	012008	RES MF 20R0 1% .12W 50PPM	HOLSWORTHY	H8C	A	EA	1		
R107	050060	RES MO 51R 1% .1W	NEOHM	CFR25	A	EA	1		
R108	021820	RES MF 182R 1% .1W 50PPM	HOLSWORTHY	H8C	A	EA	1		
R121	000221	RES CF 220R 5% .25W	NEOHM	CFR25	A	EA	1		
R123	000474	RES CF 47K 5% .25W	NEOHM	CFR25	A	EA	1		


QUANTITY	PART NO	DESCRIPTION	PRINC MANUF	MANUF PART NUMBER	CLASS ON	QUANTITY	MARKET
602	850454	RES 5K OHM 1/4 W 2A	ROHM&CO	5K 1/4W	A	1500	FA
603	850454	RES 10K OHM 1/4 W 2A	ROHM&CO	10K 1/4W	A	1500	FA
611	111012	IMP 50 OHM 2W 10% 50V	WIMA	50 2W	A	500	FA
612	111012	IMP 100 OHM 2W 10% 50V	WIMA	100 2W	A	500	FA
613	110130	IMP 1K OHM 2W 10% 50V	PHILIPS	1K 2W 110130	A	500	FA
614	110130	IMP 2K OHM 2W 10% 50V	PHILIPS	2K 2W 110130	A	500	FA
615	110130	IMP 5K OHM 2W 10% 50V	PHILIPS	5K 2W 110130	A	500	FA
616	110130	IMP 10K OHM 2W 10% 50V	PHILIPS	10K 2W 110130	A	500	FA
617	110130	IMP 20K OHM 2W 10% 50V	PHILIPS	20K 2W 110130	A	500	FA
618	110130	IMP 50K OHM 2W 10% 50V	PHILIPS	50K 2W 110130	A	500	FA
619	110130	IMP 100K OHM 2W 10% 50V	PHILIPS	100K 2W 110130	A	500	FA
620	110130	IMP 200K OHM 2W 10% 50V	PHILIPS	200K 2W 110130	A	500	FA
621	110130	IMP 500K OHM 2W 10% 50V	PHILIPS	500K 2W 110130	A	500	FA
622	110130	IMP 1M OHM 2W 10% 50V	PHILIPS	1M 2W 110130	A	500	FA
623	110130	IMP 2M OHM 2W 10% 50V	PHILIPS	2M 2W 110130	A	500	FA
624	110130	IMP 5M OHM 2W 10% 50V	PHILIPS	5M 2W 110130	A	500	FA
625	110130	IMP 10M OHM 2W 10% 50V	PHILIPS	10M 2W 110130	A	500	FA
626	110130	IMP 20M OHM 2W 10% 50V	PHILIPS	20M 2W 110130	A	500	FA
627	110130	IMP 50M OHM 2W 10% 50V	PHILIPS	50M 2W 110130	A	500	FA
628	110130	IMP 100M OHM 2W 10% 50V	PHILIPS	100M 2W 110130	A	500	FA
629	110130	IMP 200M OHM 2W 10% 50V	PHILIPS	200M 2W 110130	A	500	FA
630	110130	IMP 500M OHM 2W 10% 50V	PHILIPS	500M 2W 110130	A	500	FA
631	110130	IMP 1M OHM 2W 10% 50V	PHILIPS	1M 2W 110130	A	500	FA
632	110130	IMP 2M OHM 2W 10% 50V	PHILIPS	2M 2W 110130	A	500	FA
633	110130	IMP 5M OHM 2W 10% 50V	PHILIPS	5M 2W 110130	A	500	FA
634	110130	IMP 10M OHM 2W 10% 50V	PHILIPS	10M 2W 110130	A	500	FA
635	110130	IMP 20M OHM 2W 10% 50V	PHILIPS	20M 2W 110130	A	500	FA
636	110130	IMP 50M OHM 2W 10% 50V	PHILIPS	50M 2W 110130	A	500	FA
637	110130	IMP 100M OHM 2W 10% 50V	PHILIPS	100M 2W 110130	A	500	FA
638	110130	IMP 200M OHM 2W 10% 50V	PHILIPS	200M 2W 110130	A	500	FA
639	110130	IMP 500M OHM 2W 10% 50V	PHILIPS	500M 2W 110130	A	500	FA
640	110130	IMP 1M OHM 2W 10% 50V	PHILIPS	1M 2W 110130	A	500	FA
641	110130	IMP 2M OHM 2W 10% 50V	PHILIPS	2M 2W 110130	A	500	FA
642	110130	IMP 5M OHM 2W 10% 50V	PHILIPS	5M 2W 110130	A	500	FA
643	110130	IMP 10M OHM 2W 10% 50V	PHILIPS	10M 2W 110130	A	500	FA
644	110130	IMP 20M OHM 2W 10% 50V	PHILIPS	20M 2W 110130	A	500	FA
645	110130	IMP 50M OHM 2W 10% 50V	PHILIPS	50M 2W 110130	A	500	FA
646	110130	IMP 100M OHM 2W 10% 50V	PHILIPS	100M 2W 110130	A	500	FA
647	110130	IMP 200M OHM 2W 10% 50V	PHILIPS	200M 2W 110130	A	500	FA
648	110130	IMP 500M OHM 2W 10% 50V	PHILIPS	500M 2W 110130	A	500	FA
649	110130	IMP 1M OHM 2W 10% 50V	PHILIPS	1M 2W 110130	A	500	FA
650	110130	IMP 2M OHM 2W 10% 50V	PHILIPS	2M 2W 110130	A	500	FA
651	110130	IMP 5M OHM 2W 10% 50V	PHILIPS	5M 2W 110130	A	500	FA
652	110130	IMP 10M OHM 2W 10% 50V	PHILIPS	10M 2W 110130	A	500	FA
653	110130	IMP 20M OHM 2W 10% 50V	PHILIPS	20M 2W 110130	A	500	FA
654	110130	IMP 50M OHM 2W 10% 50V	PHILIPS	50M 2W 110130	A	500	FA

DESIG	PART NO	DESCRIPTION	PRINC MANUF	MANUF PART NUMBER	CLASS ON	QUANTITY	MARKET
D35	200002	DIODE 1N 4001 50V	FAIRCHILD	1N4001	A	10000	FA
D44	200002	DIODE 1N 4002 50V	FAIRCHILD	1N4002	A	10000	FA
D45	200002	DIODE 1N 4003 50V	FAIRCHILD	1N4003	A	10000	FA
D46	200002	DIODE 1N 4004 50V	FAIRCHILD	1N4004	A	10000	FA
D47	200002	DIODE 1N 4007 50V	FAIRCHILD	1N4007	A	10000	FA
Q2	230042	TRAN JFET 1 100M 3MA	PHILIPS	100M	A	500	FA
Q3	230042	TRAN JFET 1 100M 3MA	PHILIPS	100M	A	500	FA
Q4	240001	TRAN BJT 1N4148 100V	PHILIPS	1N4148	A	10000	FA
M1	260086	IC LIN AUDIO AMP DUAL 2W	PHILIPS	LM187M	A	500	FA
M2	260042	IC LIN OP AMP DUAL	PHILIPS	NE553AN	A	500	FA
M3	280023	IC DIG DEC2 QUAD	MOTOROLA	MC14021BCP	A	500	FA
M4	280045	IC DIG DEC3 X1	MOTOROLA	MC14021BCP	A	500	FA
M5	280079	IC DIG OR2 X1	MOTOROLA	MC14021BCP	A	500	FA
M6	280035	IC DIG DECODER BCD/BCD	MOTOROLA	MC14071BCP	A	500	FA
M10	280079	IC DIG OR2 X4	MOTOROLA	MC14071BCP	A	500	FA
M11	280009	IC DIG INV Y6	MOTOROLA	MC14047BCP	A	500	FA
M12	280034	IC DIG MONO RTP1G X2	MOTOROLA	MC14528BCP	A	500	FA
M16	260073	IC LIN OP AMP	NATIONAL	LM731N	A	500	FA
M17	260049	IC LIN V COMP DUAL	NATIONAL	LM331N	A	500	FA
M18	260080	IC LIN V COMP	NATIONAL	LM331N	A	500	FA
RL13	330027	RELAY 120V LATCHING	TEC	120V 120V	A	500	FA
RL14	330040	RELAY 120V LATCHING	TEC	120V 120V	A	500	FA
RL15	330019	RELAY 240V 2PH	TEC	240V 2PH	A	500	FA
RL15	330030	RELAY 4PH	TEC	4PH	A	500	FA
RL17	330040	RELAY 120V LATCHING	TEC	120V 120V	A	500	FA
L2	370002	CHOCK PF 100H	TEC	100H	A	500	FA
L4	370001	CHOCK PF 100H	TEC	100H	A	500	FA
L5	370001	CHOCK PF 100H	TEC	100H	A	500	FA
W1	200001	DIODE 1N 4148 100V	PHILIPS	1N4148	A	10000	FA
F3	620129	FUSE 1A 125V 5MM	PHILIPS	1A 125V	A	500	FA
F4	620128	FUSE 1A 125V 5MM	PHILIPS	1A 125V	A	500	FA
F5	620129	FUSE 1A 125V 5MM	PHILIPS	1A 125V	A	500	FA
400068-1	ASSY PCB CLAMP 120V	DAZCON		DAZCON	A	500	FA
410258-2	PCB DR 41XY	DAZCON		DAZCON	A	500	FA
420009	LABEL SERIAL ASSY	DAZCON		DAZCON	A	500	FA
420111-1	LABEL RDD WARNING 12 X 17mm	DAZCON		DAZCON	A	500	FA
602001	TERMINAL PCB	DAZCON		DAZCON	A	500	FA
604046	PLUG PCB 5-WAY 1	DAZCON		DAZCON	A	500	FA
605019	SOCKET PCB 5-WAY 1	DAZCON		DAZCON	A	500	FA
605060	SOCKET PCB 14-WAY 011	DAZCON		DAZCON	A	500	FA
605061	SOCKET PCB 15-WAY 011	DAZCON		DAZCON	A	500	FA
605070	SOCKET PCB 20-WAY 011	DAZCON		DAZCON	A	500	FA
605127	SOCKET LINK 2-WAY 1" BLK	DAZCON		DAZCON	A	500	FA
620007	TEST POINT TERMINAL	MICROWARE		TYPE C34	A	500	FA

DESIG	PART NO	DESCRIPTION	FRING MANUF	MATERIAL NUMBER	CLASS	QTY	UNIT	UNIT
	63004	BEAD CERAMIC 1/8 DIA	LABE ROYAL PORCELAIN LTD		EA	10		
	63006	BEAD CERAMIC 1/8 DIA	LABE ROYAL PORCELAIN LTD		EA	10		
	63011	FOR MOTOR CRANK	RICHM	CB	EA	1		
	63023	BEAD GLASS 1/4 X 1/8 X 1/8	MANS L (PREFORMS) LTD	MP 10-1	EA	1		

End




DRAWING NO <b>400446</b>		CHKD	8-0 1958 5.7.85	8-1 2045 29.10.85	9-0 2168 20.3.86	9-1 2283 5.6.86	9-1 2404 4.11.87	9-2 2386 23/1/87	9-3 2497 23/1/87	9-4 2561 25/5/87	10-0 2650 4.2.87	10-1 2650 19.8.87	10-1 2775 6.5.88	10-3 2902 19.5.88	10-4 2946 22.5.88	10-5 2987 16.8.88	10-6 3006 23.8.88	11-0 3287 20.3.89	
DATE		ECO																	
REVISION		ISSUE																	
DESCRIPTION		DRAWING NUMBER	SHEET NUMBER	ISSUE - REVISION															
COMPONENT LAYOUT	480446	1	8-0																
L.P.	400446	ALL																	
SCHEMATIC	430446	1	8-0	8-0	8-0	8-0	8-0	8-0	8-0	8-0	8-0	8-0	8-0	8-0	8-0	8-0	8-0	8-0	
SCHEMATIC	430446	2																	
SCHEMATIC	430446	3																	
SCHEMATIC	430446	4																	
SCHEMATIC	430446	5																	
FUNCTIONAL TEST PROC.	460446/FT	1-7	8-0																
FUNC. TEST TICK LIST	470446/FT	1	8-0																
NOTES			INDICATES NO CHANGE TO DOCS AT ISSUE LEVEL CHANGE						DRN	CHKD	APP	TITLE			DRAWING NO				
									11	130	57	4200 SINE SOURCE PCB ASSY.			400446				
									DATE	DATE	DATE				SHEET 1 OF 27				
									5.7.85	10.7.85	23.7.85								

DESIGNATOR	DATRON PART No.	DESCRIPTION	PRINCIPAL MANUFACTURER	MANUFACTURER'S PART No.	No. USED Per Assy.
R1	019091	9k09 1% 1/8W 50ppm MF	HOLCO	H8C	1
R2	011821	1k82 1% 1/8W 50ppm MF	HOLCO	H8C	1
R3	012151	2k15 1% 1/8W 50ppm MF	HOLCO	H8C	1
R4	012611	2k61 1% 1/8W 50ppm MF	HOLCO	H8C	1
R5	000223	22k 5% 1/3W CARBON	MULLARD	CR25	1
R6	000222	2k2 5% 1/3W CARBON	MULLARD	CR25	1
R7	011502	15k 1% 1/8W 50ppm MF	HOLCO	H8C	2
R8	014321	4k32 1% 1/8W 50ppm MF	HOLCO	H8C	2
R9	011002	10k 1% 1/8W 50ppm MF	HOLCO	H8C	7
R10	000100	10R 5% 1/3W CARBON	MULLARD	CR25	6
R11	000101	100R 5% 1/3W CARBON	MULLARD	CR25	10
R12	000470	47R 5% 1/3W CARBON	MULLARD	CR25	9
R13	011502	15k0 1% 1/8W 50ppm MF	HOLCO	H8C	-
R14	000272	2k7 5% 1/3W CARBON	MULLARD	CR25	2
R15	000103	10k 5% 1/3W CARBON	MULLARD	CR25	8
R16	000228	2R2 5% 1/3W CARBON	MULLARD	CR25	1
R17	000100	10R 5% 1/3W CARBON	MULLARD	CR25	-
R18	000152	1k5 5% 1/3W CARBON	MULLARD	CR25	4
R19	000472	4k7 5% 1/3W CARBON	MULLARD	CR25	4
R20	000103	10k 5% 1/3W CARBON	MULLARD	CR25	-
R21	000103	10k 5% 1/3W CARBON	MULLARD	CR25	-
R22	000123	12k 5% 1/3W CARBON	MULLARD	CR25	1
R23	000122	1k2 5% 1/3W CARBON	MULLARD	CR25	2

NOTES

SEE SHEET 1 FOR LATEST ISSUE

ISS	1	2	3	4	5	6	7	8
LCD		1725	1742	1770	1780	1801	1827	1839
DATE	26.9.84	10.10.84	31.10.84	22.11.84	4.12.84	2.1.85	13.2.85	9.4.85
CHKD		SD	MS	MS	MD	MP	MP	MP

DATE	24.7.84		
DRAWN			
CHECKED	K.K. COGGAN	TITLE	4200 SINE SOURCE PCB ASSY
APPROVED	57	DRAWING NUMBER	400446
DATE	29.9.84	SHEET	2 OF 27

DESIGNATOR	DATRON PART No.	DESCRIPTION	PRINCIPAL MANUFACTURER	MANUFACTURER'S PART No.	No USED Per Assy.
R24	000332	3k3 5% 1/3W CARBON	MULLARD	CR25	1
R25	000102	1k 5% 1/3W CARBON	MULLARD	CR25	5
R26	000272	2k7 5% 1/3W CARBON	MULLARD	CR25	-
R27	011001	1k 1% 1/8W 50ppm MF	HOLCO	H8C	2
R28	012001	2k 1% 1/8W 50ppm MF	HOLCO	H8C	1
R29	011001	1k 1% 1/8W 50ppm MF	HOLCO	H8C	-
R30	047153	715k 1% 1/2W 100ppm CF	ALLEN BRADLEY	CC	2
R31	013573	357k 1% 1/8W 50ppm MF	HOLCO	H8C	2
R32	011783	178k 1% 1/8W 50ppm MF	HOLCO	H8C	2
R33	018872	88k7 1% 1/8W 50ppm MF	HOLCO	H8C	2
R34	014422	44k2 1% 1/8W 50ppm MF	HOLCO	H8C	2
R35	012262	22k6 1% 1/8W 50ppm MF	HOLCO	H8C	2
R36	011132	11k3 1% 1/8W 50ppm MF	HOLCO	H8C	2
R37	015621	5k62 1% 1/8W 50ppm MF	HOLCO	H8C	2
R38	012801	2k8 1% 1/8W 50ppm MF	HOLCO	H8C	2
R39	000152	1k5 5% 1/3W CARBON	MULLARD	CR25	-
R40	000152	1k5 5% 1/3W CARBON	MULLARD	CR25	-
R41		FSV (PART OF KIT WITH Q29)			-
R42	000103	10k 5% 1/3W CARBON	MULLARD	CR25	-
R43	000103	10k 5% 1/3W CARBON	MULLARD	CR25	-
R44	000102	1k 5% 1/3W CARBON	MULLARD	CR25	-
R45	000102	1k 5% 1/3W CARBON	MULLARD	CR25	-
R46	000221	220R 5% 1/3W CARBON	MULLARD	CR25	4

NOTES										DATE	datron ELECTRONICS LTD	
SEE SHEET 2 FOR LATEST ISSUE										24.7.84	TITLE	
ISS										DRAWN	4200 SINE SOURCE PCB ASSY.	
L.C.D.										CHECKED	DRAWING NUMBER	
DATE										APPROVED	400446 3 SHEET OF 27	
MND										DATE		

DESIGNATOR	DATRON PART No.	DESCRIPTION	PRINCIPAL MANUFACTURER	MANUFACTURER'S PART No.	No USED Per Assy.
R47	001182	1k8 5% 1/2W CARBON	MULLARD	CR37	2
R48	011823	182k 1% 1/8W 50ppm MF	HOLCO	H8C	1
R49	067503	50k POT 20 TURN CERMET	BECKMAN	68X	2
R50	067503	50k POT 20 TURN CERMET	BECKMAN	68X	-
R51	014990	499R 1% 1/8W 50ppm MF	HOLCO	H8C	2
R52	063100	10R POT 3/8 SQ CERMET	BECKMAN	72P	1
R53	014751	4k75 1% 1/8W 50ppm MF	HOLCO	H8C	3
R54	012218	22R1 1% 1/8W 50ppm MF	HOLCO	H8C	1
R55	047153	715k 1% 1/2W 100ppm CF	ALLEN BRADLEY	CC	-
R56	013573	357k 1% 1/8W 50ppm MF	HOLCO	H8C	-
R57	011783	178k 1% 1/8W 50ppm MF	HOLCO	H8C	-
R58	018872	88k7 1% 1/8W 50ppm MF	HOLCO	H8C	-
R59	014422	44k2 1% 1/8W 50ppm MF	HOLCO	H8C	-
R60	012262	22k6 1% 1/8W 50ppm MF	HOLCO	H8C	-
R61	011132	11k3 1% 1/8W 50ppm MF	HOLCO	H8C	-
R62	015621	5k62 1% 1/8W 50ppm MF	HOLCO	H8C	-
R63	012801	2k8 1% 1/8W 50ppm MF	HOLCO	H8C	-
R64	013321	3k32 1% 1/8W 50ppm MF	HOLCO	H8C	2
R65	013321	3k32 1% 1/8W 50ppm MF	HOLCO	H8C	-
R66	000103	10k 5% 1/3W CARBON	MULLARD	CR25	-
R67	000103	10k 5% 1/3W CARBON	MULLARD	CR25	-
R68	011002	10k 1% 1/8W 50ppm MF	HOLCO	H8C	-
R69	011002	10k 1% 1/8W 50ppm MF	HOLCO	H8C	-

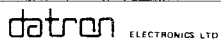
NOTES										DATE	datron ELECTRONICS LTD	
SEE SHEET 2 FOR LATEST ISSUE										24.7.84	TITLE	
ISS										DRAWN	4200 SINE SOURCE PCB ASSY.	
L.C.D.										CHECKED	DRAWING NUMBER	
DATE										APPROVED	400446 4 SHEET OF 27	
MND										DATE		

DESIGNATOR	DATRON PART No.	DESCRIPTION	PRINCIPAL MANUFACTURER	MANUFACTURER'S PART No.	No. USED Per Assy.
R70	011501	1k5 1% 1/8W 50ppm MF	HOLCO	H8C	2
R71	011501	1k5 1% 1/8W 50ppm MF	HOLCO	H8C	-
R72	000102	1k 5% 1/3W CARBON	MULLARD	CR25	-
R73	000102	1k 5% 1/3W CARBON	MULLARD	CR25	-
R74	012743	274k 1% 1/8W 50ppm MF	HOLCO	H8C	1
R75	014990	499R 1% 1/8W 50ppm MF	HOLCO	H8C	-
R76	000221	220R 5% 1/3W CARBON	MULLARD	CR25	-
R77	001182	1k8 5% 1/2W CARBON	MULLARD	CR37	-
R78	000103	10k 5% 1/3W CARBON	MULLARD	CR25	-
R79	012551	2k55 1% 1/8W 50ppm MF	HOLCO	H8C	2
R80	012551	2k55 1% 1/8W 50ppm MF	HOLCO	H8C	-
R81	000822	8k2 5% 1/3W CARBON	MULLARD	CR25	5
R82	000822	8k2 5% 1/3W CARBON	MULLARD	CR25	-
R83	000822	8k2 5% 1/3W CARBON	MULLARD	CR25	-
R84	000822	8k2 5% 1/3W CARBON	MULLARD	CR25	-
R85	000152	1k5 5% 1/3W CARBON	MULLARD	CR25	-
R86	000433	43k 5% 1/3W CARBON	MULLARD	CR25	1
R87	000822	8k2 5% 1/3W CARBON	MULLARD	CR25	-
R88	000471	470R 5% 1/3W CARBON	MULLARD	CR25	4
R89	000362	3k6 5% 1/3W CARBON	MULLARD	CR25	2
R90	000470	47R 5% 1/3W CARBON	MULLARD	CR25	-
R91	013161	FSV (3k16 1% NOM)	HOLCO	H8C	2
R92	000122	1k2 5% 1/3W CARBON	MULLARD	CR25	-

NOTES

SEE SHEET 2 FOR LATEST ISSUE

ISS																				
EC'D																				
DATE																				
CHKD																				

DATE	24.7.84	
DRAWN		
CHECKED		
APPROVED		
TITLE	4200 SINE SOURCE PCB ASSY.	
DRAWING NUMBER	400446	SHEET OF 27

DESIGNATOR	DATRON PART No.	DESCRIPTION	PRINCIPAL MANUFACTURER	MANUFACTURER'S PART No.	No. USED Per Assy.
R93	000470	47R 5% 1/3W CARBON	MULLARD	CR25	-
R94	000470	47R 5% 1/3W CARBON	MULLARD	CR25	-
R95	000470	47R 5% 1/3W CARBON	MULLARD	CR25	-
R96	011872	18k7 1% 1/8W 50ppm MF	HOLCO	H8C	2
R97	000104	100k 5% 1/3W CARBON	MULLARD	CR25	2
R98	011378	13R7 1% 1/8W 50ppm MF	HOLCO	H8C	2
R99	000104	100k 5% 1/3W CARBON	MULLARD	CR25	-
R100	011872	18k7 1% 1/8W 50ppm MF	HOLCO	H8C	-
R101	011378	13R7 1% 1/8W 50ppm MF	HOLCO	H8C	-
R102	000471	470R 5% 1/3W CARBON	MULLARD	CR25	-
R103	013091	3k09 1% 1/8W 50ppm MF	HOLCO	H8C	2
R104	011541	1k54 1% 1/8W 50ppm MF	HOLCO	H8C	2
R105	011541	1k54 1% 1/8W 50ppm MF	HOLCO	H8C	-
R106	013091	3k09 1% 1/8W 50ppm MF	HOLCO	H8C	-
R107	000470	47R 5% 1/3W CARBON	MULLARD	CR25	4
R108	017871	7k87 1% 1/8W 50ppm MF	HOLCO	H8C	1
R109	000101	100R 5% 1/3W CARBON	MULLARD	CR25	-
R110	000225	2M210% 1/3W CARBON	MULLARD	CR25	1
R111		NOT USED			-
R112	000100	10R 5% 1/3W CARBON	MULLARD	CR25	-
R113	000362	3k6 5% 1/3W CARBON	MULLARD	CR25	-
R114	000470	47R 5% 1/3W CARBON	MULLARD	CR25	-
R115	000470	47R 5% 1/3W CARBON	MULLARD	CR25	-

NOTES

SEE SHEET 2 FOR LATEST ISSUE

ISS																				
EC'D																				
DATE																				
CHKD																				

DATE	24.7.84	
DRAWN		
CHECKED		
APPROVED		
TITLE	4200 SINE SOURCE PCB ASSY.	
DRAWING NUMBER	400446	SHEET OF 27

DESIGNATOR	DATRON PART No.	DESCRIPTION	PRINCIPAL MANUFACTURER	MANUFACTURER'S PART No.	No. USED Per Assy
R116	000470	47R 5% 1/8W CARBON	MULLARD	CR25	-
R117	000101	100R 5% 1/8W CARBON	MULLARD	CR25	-
R118	012432	24k3 1% 1/8W 50ppm MF	HOLCO	H8C	2
R119	012432	24k3 1% 1/8W 50ppm MF	HOLCO	H8C	-
R120	011002	10K 1% 1/8W 50ppm MF	HOLCO	H8C	-
R121	017501	7K5 1% 1/8W 50ppm MF	HOLCO	H8C	1
R122	011002	FSV (10K 1% NOM)	HOLCO	H8C	-
R123	066103	10K POT 3/8 SQ VERT CERMIET	BECKMAN	72XW	1
R124	000100	10R 5% 1/8W CARBON	MULLARD	CR25	-
R125	000100	10R 5% 1/8W CARBON	MULLARD	CR25	-
R126	001182	1K8 5% 1/2W CARBON	MULLARD	CR37	2
R127	000101	100R 5% 1/8W CARBON	MULLARD	CR25	-
R128	000101	100R 5% 1/8W CARBON	MULLARD	CR25	-
R129	011211	1K21 1% 1/8W 50ppm MF	HOLCO	H8C	1
R130	011002	10K 1% 1/8W 50ppm MF	HOLCO	H8C	-
R131	011002	10K 1% 1/8W 50ppm MF	HOLCO	H8C	-
R132	000101	100R 5% 1/8W CARBON	MULLARD	CR25	-
R133	001182	1K8 5% 1/2W CARBON	MULLARD	CR37	-
R134	014321	4k32 1% 1/8W 50ppm MF	HOLCO	H8C	-
R135	012491	2k49 1% 1/8W 50ppm MF	HOLCO	H8C	2
R136	090063	PTC THERMISTOR	TEXAS	TSPI02K	2
R137	090063	PTC THERMISTOR	TEXAS	TSPI02K	-
R138	000101	100R 5% 1/8W CARBON	MULLARD	CR25	-

NOTES

SEE SHEET 2 FOR LATEST ISSUE

DATE	24.7.84	<b>datron</b> ELECTRONICS LTD TITLE <b>4200 SINE SOURCE          PCB ASSY</b> DRAWING NUMBER <b>400446</b>	SHEET <b>7</b> OF <b>26</b>
DRAWN	<input checked="" type="checkbox"/>		
CHECKED			
APPROVED			
DATE			

DESIGNATOR	DATRON PART No.	DESCRIPTION	PRINCIPAL MANUFACTURER	MANUFACTURER'S PART No.	No. USED Per Assy
R139	000100	10R 5% 1/8W CARBON	MULLARD	CR25	-
R140	000202	2K 5% 1/8W CARBON	MULLARD	CR25	1
R141	000101	100R 5% 1/8W CARBON	MULLARD	CR25	-
R142	000101	100R 5% 1/8W CARBON	MULLARD	CR25	-
R143	012491	2k49 1% 1/8W 50ppm MF	HOLCO	H8C	-
R144	011003	10R 1% 1/8W 50ppm MF	HOLCO	H8C	1
R145	000221	220R 5% 1/8W CARBON	MULLARD	CR25	-
R146	000221	220R 5% 1/8W CARBON	MULLARD	CR25	-
R147	000101	100R 5% 1/8W CARBON	MULLARD	CR25	-
R148	000278	2R7 5% 1/8W CARBON	MULLARD	CR25	1
R149	013161	FSV (3K16 1% NOM)	HOLCO	H8C	-
R150	000471	470R 5% 1/8W CARBON	MULLARD	CR25	-
R151	014751	4k75 1% 1/8W 50ppm MF	HOLCO	H8C	-
R152	015230	523R 1% 1/8W 50ppm MF	HOLCO	H8C	1
R153	014320	432R 1% 1/8W 50ppm MF	HOLCO	H8C	1
R154	014751	4k75 1% 1/8W 50ppm MF	HOLCO	H8C	-
R155	000472	4K7 5% 1/3W CARBON	MULLARD	CR25	-
R156	000472	4K7 5% 1/3W CARBON	MULLARD	CR25	-
R157	000471	470R 5% 1/8W CARBON	MULLARD	CR25	-
R158	000220	22R 5% 1/8W CARBON	MULLARD	CR25	1
R159	000472	4k7 5% 1/3W CARBON	MULLARD	CR25	-
R160		NOT FITTED			-

NOTES

SEE SHEET 2 FOR LATEST ISSUE

DATE	24.7.84	<b>datron</b> ELECTRONICS LTD TITLE <b>4200 SINE SOURCE          PCB ASSY</b> DRAWING NUMBER <b>400446</b>	SHEET <b>8</b> OF <b>27</b>
DRAWN	<input checked="" type="checkbox"/>		
CHECKED			
APPROVED			
DATE			



DESIGNATOR	DATRON PART No.	DESCRIPTION	PRINCIPAL MANUFACTURER	MANUFACTURER'S PART No.	No. USED Per Assy.
C6	100102	1nF 2% 100V CER PLATE	MULLARD	630	14
C7	150015	10uF 20% 35V DIP TANT	UNION CARBIDE	K10E35	4
C8	150015	10uF 20% 35V DIP TANT	UNION CARBIDE	K10E35	-
C9	150020	10uF 20% 25V DIP TANT	UNION CARBIDE	K10E25	10
C10	104026	47nF $\pm 50\%$ 50V CER DISC	SIEMENS	B37449	30
C11	104026	47nF $\pm 50\%$ 50V CER DISC	SIEMENS	B37449	-
C12	104026	47nF $\pm 50\%$ 50V CER DISC	SIEMENS	B37449	-
C13	104026	47nF $\pm 50\%$ 50V CER DISC	SIEMENS	B37449	-
C14	150015	10uF 20% 35V DIP TANT	UNION CARBIDE	K10E35	-
C15	104026	47nF $\pm 50\%$ 50V CER DISC	SIEMENS	B37449	-
C16	110040	33nF 20% 63V POLYESTER	WIMA	MKS2	1
C17	150021	22uF 20% 25V DIP TANT	UNION CARBIDE	K22E25	2
C18	110039	470nF 20% 63V POLYESTER	WIMA	MKS2	1
C19	104026	47nF $\pm 50\%$ 50V CER DISC	SIEMENS	B37449	-
C20	102471	470pF 10% 500V CER DISC	ITT	CD10	-
C21	150020	10uF 20% 25V DIP TANT	UNION CARBIDE	K10E25	-
C22	150020	10uF 20% 25V DIP TANT	UNION CARBIDE	K10E25	-
C23	100102	1nF 2% 100V CER PLATE	MULLARD	630	-
C24	104026	47nF $\pm 50\%$ 50V CER DISC	SIEMENS	B37449	-
C25	120034	220nF 1% 63V POLYCARB	ASHCROFT	A2B2201E	2
C26	102100	10pF 5% 500V CER DISC	ITT	CD10	-
C27	102100	10pF 5% 500V CER DISC	ITT	CD10	-
C28	120035	22nF 1% 400V POLYCARB	ASHCROFT	A2B22004E	2

NOTES

SEE SHEET 2 FOR LATEST ISSUE

DATE	24. 7. 84	<b>datron</b> ELECTRONICS LTD TITLE 4200 SINE SOURCE PCB ASSY. DRAWING NUMBER 400446 11 SHEET OF 27
DRAWN	L	
CHECKED		
APPROVED		
DATE		

DESIGNATOR	DATRON PART No.	DESCRIPTION	PRINCIPAL MANUFACTURER	MANUFACTURER'S PART No.	No. USED Per Assy.
C29	102220	22pF 5% 500V CER DISC	ITT	CD10	3
C30	104017	0p56F $\pm 0.1pF$ 500V CER DISC	ITT	CD08 AGOP56BS	2
C31	102108	1pF $\pm 5pF$ 500V CER DISC	ITT	CD06	2
C32	102188	1p8F $\pm 5pF$ 500V CER DISC	ITT	CD06	2
C33	102398	3p9F $\pm 5pF$ 500V CER DISC	ITT	CD08	2
C34	150020	10uF 20% 25V DIP TANT	UNION CARBIDE	K10E25	-
C35	100102	1nF 2% 100V CER PLATE	MULLARD	630	-
C36	130083	2nF 1% 160V POLYSTYRENE	MULLARD	425	2
C37	110042	100nF 20% 63V POLYESTER	WIMA	MKS2	7
C38	102478	4p7F $\pm 5pF$ 500V CER DISC	ITT	CD08	9
C39	100101	100pF 2% 100V CER PLATE	MULLARD	683	3
C40	100278	2p7F 2% 100V CER PLATE	MULLARD	683	2
C41	130084	110pF 1% 630V POLYSTYRENE	MULLARD	427	2
C42	130042	100pF 1% 630V POLYSTYRENE	SUFLEX	HS	2
C43	102478	4p7F $\pm 5pF$ 500V CER DISC	ITT	CD08	-
C44	102338	3p3F $\pm 5pF$ 500V CER DISC	ITT	CD08	3
C45	104026	47nF $\pm 50\%$ 50V CER DISC	SIEMENS	B37449	-
C46	100102	1nF 2% 100V CER PLATE	MULLARD	630	-
C47	150020	10uF 20% 25V DIP TANT	UNION CARBIDE	K10E25	-
C48	104026	47nF $\pm 50\%$ 50V CER DISC	SIEMENS	B37449	-
C49	102478	4p7F $\pm 5pF$ 500V CER DISC	ITT	CD08	-
C50	120034	220nF 1% 63V POLYCARB	ASHCROFT	A2B2201E	-
C51	120035	22nF 1% 400V POLYCARB	ASHCROFT	A2B22004E	-

NOTES

SEE SHEET 2 FOR LATEST ISSUE

DATE	24. 7. 84	<b>datron</b> ELECTRONICS LTD TITLE 4200 SINE SOURCE PCB ASSY. DRAWING NUMBER 400446 11 SHEET OF 27
DRAWN	L	
CHECKED		
APPROVED		
DATE		

DESIGNATOR	DATRON PART No	DESCRIPTION	PRINCIPAL MANUFACTURER	MANUFACTURER'S PART No.	No. USED Per Assy.
C52	104017	0p56F ±0-1pF 500V CER DISC	ITT	GDO8AGOP56BS	-
C53	104026	47nF $\pm\frac{+50}{-20}\%$ 50V CER DISC	SIEMENS	B37449	-
C54	102478	4p7F ±.5pF 500V CER DISC	ITT	CD08	-
C55	104026	47nF $\pm\frac{+50}{-20}\%$ 50V CER DISC	SIEMENS	B37449	-
C56	102108	1pF ±.5pF 500V CER DISC	ITT	CD06	-
C57	102188	1p8F ±.5pF 500V CER DISC	ITT	CD06	-
C58	102398	3p9F ±.5pF 500V CER DISC	ITT	CD08	-
C59	104026	47nF $\pm\frac{+50}{-20}\%$ 50V CER DISC	SIEMENS	B37449	-
C60	104026	47nF $\pm\frac{+50}{-20}\%$ 50V CER DISC	SIEMENS	B37449	-
C61	102478	4p7F ±.5pF 500V CER DISC	ITT	CD08	-
C62	130083	2nF 1% 160V POLYSTYRENE	MULLARD	425	-
C63	104026	47nF $\pm\frac{+50}{-20}\%$ 50V CER DISC	SIEMENS	B37449	-
C64	100101	100pF 2% 100V CER PLATE	MULLARD	683	-
C65	100278	2p7F 2% 100V CER PLATE	MULLARD	683	-
C66	130084	110pF 1% 630V POLYSTYRENE	MULLARD	427	-
C67	130042	100pF 1% 630V POLYSTYRENE	SUFLEX	HS	-
C68	102478	4p7F ±.5pF 500V CER DISC	ITT	CD08	-
C69	102338	3p3F ±.5pF 500V CER DISC	ITT	CD08	-
C70	104026	47nF $\pm\frac{+50}{-20}\%$ 50V CER DISC	SIEMENS	B37449	-
C71	100102	1nF 2% 100V CER PLATE	MULLARD	630	-
C72	150020	10nF 20% 25V DIP TANT	UNION CARBIDE	K10E25	-
C73	102478	4p7F ±.5pF 500V CER DISC	ITT	CD08	-
C74	102220	22pF 5% 500V CER DISC	ITT	CD10	-

NOTES

SEE SHEET 2 FOR LATEST ISSUE

DES	CHKD	DATE	BY	CHKD	DATE	BY	CHKD	DATE	BY

DATE	24.7.84	datron ELECTRONICS LTD	
DRAWN		TITLE	
CHECKED		4200 SINE SOURCE PCB ASSY.	
APPROVED		DRAWING NUMBER	400446
DATE		SHEET	13 OF 27

DESIGNATOR	DATRON PART No	DESCRIPTION	PRINCIPAL MANUFACTURER	MANUFACTURER'S PART No.	No. USED Per Assy.
C75	100102	1nF 2% 100V CER PLATE	MULLARD	630	-
C76	110041	10nF 20% 100V POLYESTER	WIMA	FKS2	3
C77	102102	1nF 10% 500V CER DISC	ITT	CD10	-
C78	110041	10nF 20% 100V POLYESTER	WIMA	FKS2	-
C79	100102	1nF 2% 100V CER PLATE	MULLARD	630	-
C80	110042	100nF 20% 63V POLYESTER	WIMA	MKS2	-
C81	100102	1nF 2% 100V CER PLATE	MULLARD	630	-
C82	100182	1n8F 2% 100V CER PLATE	MULLARD	630	1
C83	100102	1nF 2% 100V CER PLATE	MULLARD	630	-
C84	100102	1nF 2% 100V CER PLATE	MULLARD	630	-
C85	100102	1nF 2% 100V CER PLATE	MULLARD	630	-
C86	102221	220pF 10% 500V CER DISC	ITT	CD10	-
C87	104026	47nF $\pm\frac{+50}{-20}\%$ 50V CER DISC	SIEMENS	B37449	-
C88	104026	47nF $\pm\frac{+50}{-20}\%$ 50V CER DISC	SIEMENS	B37449	-
C89	110046	1uF 20% 50V POLYESTER	WIMA	MKS2	1
C90	104026	47nF $\pm\frac{+50}{-20}\%$ 50V CER DISC	SIEMENS	B37449	-
C91	104026	47nF $\pm\frac{+50}{-20}\%$ 50V CER DISC	SIEMENS	B37449	-
C92	102331	330pF 10% 500V CER DISC	ITT	CD10	1
C93	104026	47nF $\pm\frac{+50}{-20}\%$ 50V CER DISC	ITT	B37449	-
C94	104026	47nF $\pm\frac{+50}{-20}\%$ 50V CER DISC	ITT	B37449	-
C95	101103	10nF 25% 250V CER DISC	ITT	CD10	1
C96	150010	330nF 20% 35V DIP TANT	UNION CARBIDE	KR33E35	1
C97	100101	100pF 2% 100V CER PLATE	MULLARD	683	-

NOTES

SEE SHEET 2 FOR LATEST ISSUE

DES	CHKD	DATE	BY	CHKD	DATE	BY	CHKD	DATE	BY

DATE	24.7.84	datron ELECTRONICS LTD	
DRAWN		TITLE	
CHECKED		4200 SINE SOURCE PCB ASSY.	
APPROVED		DRAWING NUMBER	400446
DATE		SHEET	14 OF 27

DESIGNATOR	DATRON PART No	DESCRIPTION	PRINCIPAL MANUFACTURER	MANUFACTURER'S PART No	No USED Per Assy
C98	110042	100nF 20% 63V POLYESTER	WIMA	CD10	-
C99	110042	100nF 20% 63V POLYESTER	WIMA	CD10	-
C100	104026	47nF $\pm 50\%$ 50V CER DISC	SIEMENS	B37449	-
C101	104026	47nF $\pm 50\%$ 50V CER DISC	SIEMENS	B37449	-
C102	150020	10uF 20% 25V DIP TANT	UNION CARBIDE	K10E25	-
C103	150020	10uF 20% 25V DIP TANT	UNION CARBIDE	K10E25	-
C104	102478	4p7F $\pm 5\%$ 500V CER DISC	ITT	CD08	-
C105	104026	47nF $\pm 50\%$ 50V CER DISC	SIEMENS	B37449	-
C106	100102	1nF 2% 100V CER PLATE	MULLARD	630	-
C107	110042	100nF 20% 63V POLYESTER	WIMA	CD10	-
C108	110015	15nF 20% 63V POLYESTER	WIMA	MKS2	1
C109	110041	10nF 20% 100V POLYESTER	WIMA	FKS2	-
C110	104064	12pF 5% 50V CER DISC	AVX	SR21A120JAA	1
C111	110042	100nF 20% 63V POLYESTER	WIMA	CD10	-
C112	102221	220pF 10% 500V CER DISC	ITT	CD10	-
C113, C114	104026	47nF $\pm 50\%$ 50V CER DISC	ITT	B37449	-
C115	150015	10uF 20% 35V DIP TANT	UNION CARBIDE	K10E35	-
C116	102478	4p7F $\pm 5\%$ 500V CER DISC	ITT	CD08	-
C117	100102	1nF 2% 100V CER PLATE	MULLARD	630	-
C118	104026	47nF $\pm 50\%$ 50V CER DISC	SIEMENS	B37449	-
C119	102338	3p3F $\pm 5\%$ 500V CER DISC	ITT	CD08	-
C120	104026	47nF $\pm 50\%$ 50V CER DISC	SIEMENS	B37449	-
C121	150023	33uF 20% 25V DIP TANT	UNION CARBIDE	K33E25	3

NOTES					DATE	24.7.84	datron ELECTRONICS LTD
SEE SHEET 1 OF 27 FOR LATEST ISSUE					DRAWN		
					TITLE	4200 SINE SOURCE PCB ASSY	
					APPROVED		DRAWING NUMBER
					DATE		400446
							SHEET 15 OF 27

DESIGNATOR	DATRON PART No	DESCRIPTION	PRINCIPAL MANUFACTURER	MANUFACTURER'S PART No	No USED Per Assy
C122	150023	33uF 20% 25V DIP TANT	UNION CARBIDE	K33E25	-
C123	150020	10uF 20% 25V DIP TANT	UNION CARBIDE	K10E25	-
C124	104026	47nF $\pm 50\%$ 50V CER DISC	SIEMENS	B37449	-
C125	150020	10uF 20% 25V DIP TANT	UNION CARBIDE	K10E25	-
C126	150023	33uF 20% 25V DIP TANT	UNION CARBIDE	K33E25	-
C127	102220	22pF 5% 500V CER DISC	ITT	CD10	-
C128	104026	47nF $\pm 50\%$ 50V CER DISC	SIEMENS	B37449	-
C129	150021	22uF 20% 25V DIP TANT	UNION CARBIDE	K22E25	-
C130	110042	100nF 20% 63V POLYESTER	WIMA	MKS2	-
C131	100102	1nF 10% 100V CER PLATE	MULLARD	630	-
C132		NOT FITTED			-
C133	102221	2p2F 10% 500V CER DISC	ITT	CD08	1
C134	100029	68pF 20% 100V POLYCARB	WIMA	FKC2	1

NOTES					DATE	24.7.84	datron ELECTRONICS LTD
					DRAWN		
					TITLE	4200 SINE SOURCE PCB ASSY	
					APPROVED		DRAWING NUMBER
					DATE		400446
							SHEET 16 OF 27

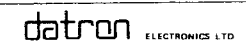


DESIGNATOR	DATRON PART No.	DESCRIPTION	PRINCIPAL MANUFACTURER	MANUFACTURER'S PART No.	No. USED Per Assy.
D1	220010	SI HOT CARRIER DIODE	HP	HSCH1001/IN6263	4
D2	210091	9VI 400mW ZENER	MULLARD	BZY88C9VI	3
D3	210150	15V 400mW ZENER	MULLARD	BZY88C15	1
D4	210091	9VI 400mW ZENER	MULLARD	BZY88C9VI	-
D5	213009	15V 5W ZENER	UNITRODE	TVS515	4
D6	213009	15V 5W ZENER	UNITRODE	TVS515	-
D7	200001	75mA 75V GP Si DIODE	FAIRCHILD	IN4148	14
D8	200001	75mA 75V GP Si DIODE	FAIRCHILD	IN4148	-
D9	200001	75mA 75V GP Si DIODE	FAIRCHILD	IN4148	-
D10	210043	4V3 400mW ZENER	MULLARD	BZY88C4V3	4
D11	200001	75mA 75V GP Si DIODE	FAIRCHILD	IN4148	-
D12	210043	4V3 400mW ZENER	MULLARD	BZY88C4V3	-
D13	200001	75mA 75V GP Si DIODE	FAIRCHILD	IN4148	-
D14	200001	75mA 75V GP Si DIODE	FAIRCHILD	IN4148	-
D15	200001	75mA 75V GP Si DIODE	FAIRCHILD	IN4148	-
D16	210043	4V3 400mW ZENER	MULLARD	BZY88C4V3	-
D17	200001	75mA 75V GP Si DIODE	FAIRCHILD	IN4148	-
D18	210043	4V3 400mW ZENER	MULLARD	BZY88C4V3	-
D19	210091	9VI 400mW ZENER	MULLARD	BZY88C9VI	-
D20	213011	1V5 250mW ZENER	MULLARD	BZV46-1V5	2
D21	200001	75mA 75V GP Si DIODE	FAIRCHILD	IN4148	-
D22	213011	1V5 250mW ZENER	MULLARD	BZV46-1V5	-
D23	200001	75mA 75V GP Si DIODE	FAIRCHILD	IN4148	-

NOTES.

SEE SHEET 2 FOR LATEST ISSUE

ISS	BY	DATE	CHKD	BY	DATE	CHKD

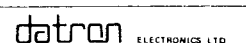
DATE 24.7.84	 <b>4200 SINE SOURCE PCB ASSY</b>
DRAWN	
CHECKED	
APPROVED	
DATE	
DRAWING NUMBER 400446	SHEET 17 OF 27

DESIGNATOR	DATRON PART No.	DESCRIPTION	PRINCIPAL MANUFACTURER	MANUFACTURER'S PART No.	No. USED Per Assy.
D24	210056	5V6 400mW ZENER	MULLARD	BZY88C5V6	2
D25	210056	5V6 400mW ZENER	MULLARD	BZY88C5V6	-
D26	213023	6V4 100ppm ZENER	MOTOROLA	IN4575	2
D27	213009	15V 5W ZENER	UNITRODE	TVS515	-
D28	220010	SI HOT CARRIER DIODE	HP	HSCH1001/IN6263	-
D29	220010	SI HOT CARRIER DIODE	HP	HSCH1001/IN6263	-
D30	213023	6V4 100ppm ZENER	MOTOROLA	IN4575	-
D31	200001	75mA 75V GP Si DIODE	FAIRCHILD	IN4148	-
D32	200001	75mA 75V GP Si DIODE	FAIRCHILD	IN4148	-
D33	200001	75mA 75V GP Si DIODE	FAIRCHILD	IN4148	-
D34	213009	15V 5W ZENER	UNITRODE	TVS515	-
D35	200001	75mA 75V GP Si DIODE	FAIRCHILD	IN4148	-
D36	200006	1A 600V GP Si DIODE	FAIRCHILD	IN4005	2
D37	200006	1A 600V GP Si DIODE	FAIRCHILD	IN4005	-
D38	220010	SI HOT CARRIER DIODE	HP	HSCH1001/IN6263	-
D39	213012	2V0 250mW ZENER	MULLARD	BZV46-2V0	2
D40	210062	6V2 400mW ZENER	MULLARD	BZY88C6V2	2
D41	210062	6V2 400mW ZENER	MULLARD	BZY88C6V2	-
D42	213012	2V0 250mW ZENER	MULLARD	BZV46-2V0	-

NOTES.

SEE SHEET 2 FOR LATEST ISSUE

ISS	BY	DATE	CHKD	BY	DATE	CHKD

DATE 24.7.84	 <b>4200 SINE SOURCE PCB ASSY</b>
DRAWN	
CHECKED	
APPROVED	
DATE	
DRAWING NUMBER 400446	SHEET 18 OF 27

DESIGNATOR	DATRON PART No.	DESCRIPTION	PRINCIPAL MANUFACTURER	MANUFACTURER'S PART No.	No. USED Per Assy.
Q1	* 239092-1	J511x2 SELECTED FET		SEE DRG	1 of SET
Q2	250004	Si PNP TRANSISTOR	NATIONAL	2N3906/TO18	7
Q3	250004	Si PNP TRANSISTOR	NATIONAL	2N3906/TO18	-
Q4	240006	Si NPN TRANSISTOR	NATIONAL	2N3904/TO18	10
Q5	240006	Si NPN TRANSISTOR	NATIONAL	2N3904/TO18	-
Q6	* 239092-1	J511x2 SELECTED FET		SEE DRG	1 of SET
Q7	240006	Si NPN TRANSISTOR	NATIONAL	2N3904/TO18	-
Q8	240013	Si NPN TRANSISTOR	NATIONAL	BC184C/TO18	5
Q9	230065	N-CHAN I LIM 4.7mA	SILICONIX	J511	2
Q10		NOT USED			-
Q11	240032	Si NPN TRANSISTOR	MOTOROLA	BF393/TO18	5
Q12	250004	Si PNP TRANSISTOR	NATIONAL	2N3906/TO18	-
Q13	230065	N-CHAN I LIM 4.7mA	SILICONIX	J511	-
Q14	240006	Si NPN TRANSISTOR	NATIONAL	2N3904/TO18	-
Q15	240006	Si NPN TRANSISTOR	NATIONAL	2N3904/TO18	-
Q16	240006	Si NPN TRANSISTOR	NATIONAL	2N3904/TO18	-
Q17	240006	Si NPN TRANSISTOR	NATIONAL	2N3904/TO18	-
Q18	250004	Si PNP TRANSISTOR	NATIONAL	2N3906/TO18	-
Q19	230001	N-CHAN I LIM 1.4mA	SILICONIX	J506	3
Q20	230035	N-CHAN JFET	TELEDYNE	U1897JF	28
Q21	230035	N-CHAN JFET	TELEDYNE	U1897JF	-
Q22	230035	N-CHAN JFET	TELEDYNE	U1897 JF	-
Q23	230035	N-CHAN JFET	TELEDYNE	U1897 JF	-

NOTES

SEE SHEET 2 FOR LATEST ISSUE

REV	DATE	BY	CHKD	APPV

DATE	24.7.84	<b>datron</b> ELECTRONICS LTD TITLE <b>4200 SINE SOURCE PCB ASSY</b> DRAWING NUMBER <b>400446</b> SHEET <b>19</b> OF <b>27</b>
DRAWN	L.	
CHECKED		
APPROVED		
DATE		

DESIGNATOR	DATRON PART No.	DESCRIPTION	PRINCIPAL MANUFACTURER	MANUFACTURER'S PART No.	No. USED Per Assy.
Q24	230035	N-CHAN JFET	TELEDYNE	U1897 JF	-
Q25	230035	N-CHAN JFET	TELEDYNE	U1897 JF	-
Q26	230035	N-CHAN JFET	TELEDYNE	U1897 JF	-
Q27	230035	N-CHAN JFET	TELEDYNE	U1897 JF	-
Q28	230035	N-CHAN JFET	TELEDYNE	U1897JF	-
Q29	239060-1	N-CHAN DUAL JFET + R41	DATRON	VCR11 (COLOUR) + HB	1
Q30	260060	334 CURRENT SOURCE	NATIONAL	LM334H	1
Q31	240043	TRAN NPN - (RESERVE STOCK)	MOTOROLA	2N3904	2
Q32	230035	N-CHAN JFET	TELEDYNE	U1897JF	-
Q33	230035	N-CHAN JFET	TELEDYNE	U1897JF	-
Q34	230035	N-CHAN JFET	TELEDYNE	U1897JF	-
Q35	230035	N-CHAN JFET	TELEDYNE	U1897JF	-
Q36	230035	N-CHAN JFET	TELEDYNE	U1897JF	-
Q37	230035	N-CHAN JFET	TELEDYNE	U1897JF	-
Q38	230035	N-CHAN JFET	TELEDYNE	U1897JF	-
Q39	230035	N-CHAN JFET	TELEDYNE	U1897JF	-
Q40	230035	N-CHAN JFET	TELEDYNE	U1897JF	-
Q41	230046-1	N-CHAN DUAL JFET		SEE DRG	1
Q42	230001	N-CHAN I LIM 1.4mA	SILICONIX	J506	-
Q43	230001	N-CHAN I LIM 1.4mA	SILICONIX	J506	-
Q44	240043	TRAN NPN - (RESERVE STOCK)	MOTOROLA	2N3904	-
Q45	250001	Si PNP TRANSISTOR	NATIONAL	BC214/TO18	3
Q46	250001	Si PNP TRANSISTOR	NATIONAL	BC214/TO18	-

NOTES

SEE SHEET 2 FOR LATEST ISSUE

REV	DATE	BY	CHKD	APPV

DATE	24.7.84	<b>datron</b> ELECTRONICS LTD TITLE <b>4200 SINE SOURCE PCB ASSY</b> DRAWING NUMBER <b>400446</b> SHEET <b>20</b> OF <b>27</b>
DRAWN	L.	
CHECKED		
APPROVED		
DATE		

DESIGNATOR	DATRON PART No.	DESCRIPTION	PRINCIPAL MANUFACTURER	MANUFACTURER'S PART No.	No. USED Per Assy.
Q47	230035	N-CHAN JFET	TELEDYNE	U1897JF	-
Q48	230035	N-CHAN JFET	TELEDYNE	U1897JF	-
Q49	230035	N-CHAN JFET	TELEDYNE	U1897JF	-
Q50	230035	N-CHAN JFET	TELEDYNE	U1897JF	-
Q51	230035	N-CHAN JFET	TELEDYNE	U1897JF	-
Q52	230035	N-CHAN JFET	TELEDYNE	U1897JF	-
Q53	230035	N-CHAN JFET	TELEDYNE	U1897JF	-
Q54	250004	Si PNP TRANSISTOR	NATIONAL	2N3906/TO18	-
Q55	240017	Si NPN DUAL TRANSISTOR	NATIONAL	LM394	6
Q56	240017	Si NPN DUAL TRANSISTOR	NATIONAL	LM394	-
Q57	240017	Si NPN DUAL TRANSISTOR	NATIONAL	LM394	-
Q58	240017	Si NPN DUAL TRANSISTOR	NATIONAL	LM394	-
Q59	240017	Si NPN DUAL TRANSISTOR	NATIONAL	LM394	-
Q60	240017	Si NPN DUAL TRANSISTOR	NATIONAL	LM394	-
Q61	230050	N-CHAN I LIM 2.4mA	SILICONIX	J508	1
Q62	240013	Si NPN TRANSISTOR	NATIONAL	BC184C/TO18	-
Q63	240013	Si NPN TRANSISTOR	NATIONAL	BC184C/TO18	-
Q64	240013	Si NPN TRANSISTOR	NATIONAL	BC184C/TO18	-
Q65	240013	Si NPN TRANSISTOR	NATIONAL	BC184C/TO18	-
Q66	230042	N-CHAN I LIM 3.0mA	SILICONIX	J509	6
Q67	230035	N-CHAN JFET	TELEDYNE	U1897JF	-
Q68	230035	N-CHAN JFET	TELEDYNE	U1897JF	-
Q69	230035	N-CHAN JFET	TELEDYNE	U1897JF	-

NOTES						DATE	24.7.84		datron ELECTRONICS LTD		
SEE SHEET 2 FOR LATEST ISSUE						DRAWN			TITLE		
						CHECKED			4200 SINE SOURCE PCB ASSY		
						APPROVED			DRAWING NUMBER		
						DATE			400446		
								SHEET		21 OF 27	

DESIGNATOR	DATRON PART No.	DESCRIPTION	PRINCIPAL MANUFACTURER	MANUFACTURER'S PART No.	No. USED Per Assy.
Q70	240006	Si NPN TRANSISTOR	NATIONAL	2N3904/TO18	-
Q71	250008	Si PNP TRANSISTOR	NATIONAL	BC214C/TO18	2
Q72	250008	Si PNP TRANSISTOR	NATIONAL	BC214C/TO18	-
Q73	230042	N-CHAN I LIM 3.0mA	SILICONIX	J509	-
Q74	230003	N-CHAN JFET	TELEDYNE	U1899JF	1
Q75	240006	Si NPN TRANSISTOR	NATIONAL	2N3904/TO18	-
Q76	239059-1	N-CHAN DUAL JFET KIT	DATRON	VCR11	} SAME COLOUR 1 KIT
Q77	239059-1	N-CHAN DUAL JFET KIT	DATRON	VCR11	
Q78	240032	Si NPN TRANSISTOR	MOTOROLA	BF 393/TO18	-
Q79	240032	Si NPN TRANSISTOR	MOTOROLA	BF 393/TO18	-
Q80	240032	Si NPN TRANSISTOR	MOTOROLA	BF 393/TO18	-
Q81	240032	Si NPN TRANSISTOR	MOTOROLA	BF 393/TO18	-
Q82	230042	N-CHAN I LIM 3.0mA	SILICONIX	J509	-
Q83	240001	Si NPN TRANSISTOR	NATIONAL	BC184/TO18	2
Q84	230042	N-CHAN I LIM 3.0mA	SILICONIX	J509	-
Q85	250001	Si PNP TRANSISTOR	NATIONAL	BC214/TO18	-
Q86	240031	Si NPN TRANSISTOR	MOTOROLA	BD139	2
Q87	230042	N-CHAN I LIM 3.0mA	SILICONIX	J509	-
Q88	240006	Si NPN TRANSISTOR	NATIONAL	2N3904/TO18	-
Q89	230042	N-CHAN I LIM 3.0mA	SILICONIX	J509	-
Q90	250004	Si PNP TRANSISTOR	NATIONAL	2N3906/TO18	-
Q91	240001	Si NPN TRANSISTOR	NATIONAL	BC184/TO18	-
Q92	250004	Si PNP TRANSISTOR	NATIONAL	2N3906/TO92	-

NOTES						DATE	24.7.84		datron ELECTRONICS LTD		
SEE SHEET 2 FOR LATEST ISSUE						DRAWN			TITLE		
						CHECKED			4200 SINE SOURCE PCB ASSY		
						APPROVED			DRAWING NUMBER		
						DATE			400446		
								SHEET		22 OF 27	

DESIGNATOR	DATRON PART No.	DESCRIPTION	PRINCIPAL MANUFACTURER	MANUFACTURER'S PART No.	No. USED Per Assy.
Q93	240031	Si NPN TRANSISTOR	MOTOROLA	BD139	-
Q94	250021	Si PNP TRANSISTOR	MOTOROLA	BD140	1
M1	280101	DUAL BCD/BINARY COUNTER	MOTOROLA	MC14569BCP	3
M2	280057	BCD UP/DOWN COUNTER	MOTOROLA	MC14510BCP	1
M3	280008	QUAD 2 I/P NAND	MOTOROLA	MC14011BCP	1
M4	280011	DUAL D FLIP-FLOP	MOTOROLA	MC14013BCP	2
M5	280101	DUAL BCD/BINARY COUNTER	MOTOROLA	MC14569BCP	-
M6	280076	8 CHANNEL AN MUX	MOTOROLA	MC14051BCL	2
M7	280079	QUAD 2 I/P OR	MOTOROLA	MC14071BCP	1
M8	280076	8 CHANNEL AN MUX	MOTOROLA	MC14051BCL	-
M9	280101	DUAL BCD/BINARY COUNTER	MOTOROLA	MC14569BCP	-
M10	280025	QUAD ANALOG SWITCH	MOTOROLA	MC14066BCP	1
M11	260073	4 I I OP AMP	NATIONAL	LF411CN	1
M12	280125	PHASE DETECTOR	NATIONAL	MM74C932N	1
M13	280011	DUAL D FLIP-FLOP	MOTOROLA	MC14013BCP	-
M14	280080	HEX SCHMITT TRIGGER	NATIONAL	MM74C14N	2
M15	260074	LH0032C FAST FET OP AMP	NATIONAL	LH0032CG	1

NOTES

SEE SHEET 2 FOR LATEST ISSUE

DATE	24.7.84	<b>datron</b> ELECTRONICS LTD 4200 SINE SOURCE PCB ASSY
DRAWN	L	
CHECKED		
APPROVED		
DATE		
DRAWING NUMBER	400446	SHEET 23 OF 27

DESIGNATOR	DATRON PART No.	DESCRIPTION	PRINCIPAL MANUFACTURER	MANUFACTURER'S PART No.	No. USED Per Assy.
M16	260076	CURRENT MIRROR 1:1	TEXAS	TLO11CLP	5
M17	290090	7x DARLINGTON DRIVER	SPRAGUE/EXAR	ULN2002A/XR2202CP	4
M18	260076	CURRENT MIRROR 1:1	TEXAS	TLO11CLP	-
M19	260046	2525 OP AMP	HARRIS	HA32527-5	11
M20	290090	7x DARLINGTON DRIVER	SPRAGUE/EXAR	ULN2002A/XR2202CP	-
M21	280080	HEX SCHMITT TRIGGER	NATIONAL	MM74C14N	-
M22	260046	2525 OP AMP	HARRIS	HA32527-5	-
M23	260046	2525 OP AMP	HARRIS	HA32527-5	-
M24	260046	2525 OP AMP	HARRIS	HA32527-5	-
M25	260046	2525 OP AMP	HARRIS	HA32527-5	-
M26	260076	CURRENT MIRROR 1:1	TEXAS	TLO11CLP	3
M27	260076	CURRENT MIRROR 1:1	TEXAS	TLO11CLP	-
M28	290090	7x DARLINGTON DRIVER	SPRAGUE/EXAR	ULN2002A/XR2202CP	-
M29	280035	BCD/DECIMAL DECODER	MOTOROLA	MC14028BCP	1
M30	260046	2525 OP AMP	HARRIS	HA32527-5	-
M31	260046	2525 OP AMP	HARRIS	HA32527-5	-
M32	260057	5534 OP AMP	SIGNETICS	NE5534N	1
M33	290090	7x DARLINGTON DRIVER	SPRAGUE/EXAR	ULN2002A/XR2202CP	-
M34	290000	NPN TRANSISTOR ARRAY	RCA	CA3083F	2
M35	260042	5532 DUAL OP AMP	SIGNETICS	NE5532N	2
M36	280023	QUAD 2 I/P NOR	MOTOROLA	MC14001UBCP	1
M37	260078	DUAL COMPARATOR	NATIONAL	LM393AN	1
M38	280126	D/A CONVERTER	ANALOG DEVICES	AD7527KN	1

NOTES

SEE SHEET 2 FOR LATEST ISSUE

DATE	24.7.84	<b>datron</b> ELECTRONICS LTD 4200 SINE SOURCE PCB ASSY
DRAWN		
CHECKED		
APPROVED		
DATE		
DRAWING NUMBER	400446	SHEET 24 OF 27

DESIGNATOR	DATRON PART No.	DESCRIPTION	PRINCIPAL MANUFACTURER	MANUFACTURER'S PART No.	No. USED Per Assy.
M39	260033	5V 10A REGULATOR	MOTOROLA	MC78L05ACP	1
M40	290000	NPN TRANSISTOR ARRAY	RCA	CA3083F	-
M41	260042	5532 DUAL OP AMP	SIGNETICS	NE5532N	-
M42	280127	10-BIT MULTIPLYING DAC	ANALOG DEVICES	AD7533JN	2
M43	280127	10-BIT MULTIPLYING DAC	ANALOG DEVICES	AD7533JN	-
M44	260046	2525 OP AMP	HARRIS	HA32527-5	-
M45	260027	714 OP AMP	FAIRCHILD	UA714HC	1
M46	260046	2525 OP AMP	HARRIS	HA32527-5	-
M47	260046	2525 OP AMP	HARRIS	HA32527-5	-
M48	260046	2525 OP AMP	HARRIS	HA32527-5	-
M49	260049	319 DUAL COMPARATOR	NATIONAL	LM319N	1
M50	260076	CURRENT MIRROR 1:1	TEXAS	TLO11 CLP	-
RL1	330012-3	RELAY REED IA GUARDED	HAMLIN	HE721A5134	8
RL2	330012-3	RELAY REED IA GUARDED	HAMLIN	HE721A5134	-
RL3	330012-3	RELAY REED IA GUARDED	HAMLIN	HE721A5134	-
RL4	330012-3	RELAY REED IA GUARDED	HAMLIN	HE721A5134	-
RL5	330012-3	RELAY REED IA GUARDED	HAMLIN	HE721A5134	-
RL6	330012-3	RELAY REED IA GUARDED	HAMLIN	HE721A5134	-

NOTES

SEE SHEET 2 FOR LATEST ISSUE

DATE	24.7.84	<b>datron</b> ELECTRONICS LTD TITLE 4200 SINE SOURCE PCB ASSY DRAWING NUMBER 400446
DRAWN		
CHECKED		
APPROVED		
DATE		

25 SHEET OF 27

DESIGNATOR	DATRON PART No.	DESCRIPTION	PRINCIPAL MANUFACTURER	MANUFACTURER'S PART No.	No. USED Per Assy.
RL7	330012-3	RELAY REED IA GUARDED	HAMLIN	HE721A5134	-
RL8	330012-3	RELAY REED IA GUARDED	HAMLIN	HE721A5134	-
L1	370003	1mH 40Ω RF CHOKE	SIGMA	SC10	2
L2	370001	10μH 0.85Ω RF CHOKE	PLESSEY	58/10/0011/10	6
L3	370001	10μH 0.85Ω RF CHOKE	PLESSEY	58/10/0011/10	-
L4	370001	10μH 0.85Ω RF CHOKE	PLESSEY	58/10/0011/10	-
L5	370001	10μH 0.85Ω RF CHOKE	PLESSEY	58/10/0011/10	-
L6	370001	10μH 0.85Ω RF CHOKE	PLESSEY	58/10/0011/10	-
L7	370026	1μH 880mA CHOKE	SIGMA	SC10	1
L8	370003	1mH 40Ω RF CHOKE	SIGMA	SC10	-
L9	370001	10μH 0.85Ω RF CHOKE	PLESSEY	58/10/0011/10	-
	410171-8	PCB			1
	450450-1	HEATSINK			1
	540002	22 SWG BTC WIRE			A/R
	512999	7/2 PTFE WIRE			A/R
	602001	FSV TERMINAL	MOLEX	02-04-5114	6
	605059	8WAY DIL SOCKET	JERMYN	J23-18008	17
	605060	14WAY DIL SOCKET	JERMYN	J23-18014	9
	605061	16WAY DIL SOCKET	JERMYN	J23-18016	15

NOTES

SEE SHEET 2 FOR LATEST ISSUE

DATE	24.7.84	<b>datron</b> ELECTRONICS LTD TITLE 4200 SINE SOURCE PCB ASSY DRAWING NUMBER 400446
DRAWN		
CHECKED		
APPROVED		
DATE		

26 SHEET OF 27

DESIGNATOR	DATRON PART No.	DESCRIPTION	PRINCIPAL MANUFACTURER	MANUFACTURER'S PART No.	No. USED Per Assy.
	605065	28 WAY DIL SOCKET	JERMYN	J23-18028	1
	604046	3-WAY .1" PCB PLUG GD.R.	MOLEX	22-10-2031	2
	611016	M3x8mm POZIPAN STEEL	ZN PL		2
	611025	M3x16mm POZICK STEEL	ZN PL		1
	612026-1	M3x6mm STANDOFF	DATRON	SEE DRG	1
	613005	M3 INT SHAKEPROOF			2
	615002	M3 FULL NUT STEEL ZN.PL.			2
	620003	SOLDER PIN	HARWIN	H2105 A01	3
	620007	TEST POINT TERMINAL	MICROVAR	TYPE C30	32
	630024	STEATITE BEAD 16SWG	PARK ROYAL PORCELAIN	Nº2	8
	630107	BRASS STRIP 15.5 x .38mm	RIGHTON	CZ108 1/2H	A/R
	630120	PCB EJECTOR (YELLOW)	RICHCO	CBE	2
	900003	HEATSINK COMPOUND	RS	554-311	A/R
	920089-1	HEATSINK TO-220		SEE DRG	2
	920149	HEATSINK TO8	SCURIAU	TX8F 2-050-033B	1
	605124	10 WAY SOCKET STRIP	AUGAT	510-AG-910	1/3
	605127	2 WAY .1" SHORTING SKT	ASSMANN	AKSPL-G	2
	590001	20mm RUBBER SLEEVE	HELLERMANN	H15x20	1
	540006	1/0.4 PTFE BLACK WIRE		B5G210 TYPE A	A/R
	630243	GLASS BEAD 2.4% x 0.8% x 1.8	MANSOL (PREFORMS)	M53G3B/3	62
	900004	SILICONE RUBBER	RS	555-558	A/R
	420098	LABEL SERIAL NO	RS	554-793	1
	420112-1	LABEL SSD WARNING		SEE DRG	1

NOTES:

SEE SHEET 2 FOR LATEST ISSUE

ISS																			
I.C.O.																			
DATE																			
CHKD																			


DATE	24.7.84	datron <small>ELECTRONICS LTD</small>	
DRAWN	IL	TITLE	
CHECKED		4200 SINE SOURCE PCB ASSY	
APPROVED		DRAWING	SHEET
DATE		NUMBER	OF
		400446	27 OF 27

LD400844

DOCUMENT LIST

NO.	DESCRIPTION	DATE
1.0	3099 171088K	
1.1	3163 25JAN84	
1.2	3244 24FEB84	

NO.	DESCRIPTION	DATE	REV.	REV. DESCRIPTION
1.0	LP400844	ALL	1.0	
1.1	DA400844	1	1.1	
1.2			1.2	
1.0	DC400844	1	1.0	
1.0	"	2	1.0	
1.0	"	3	1.0	
1.0	"	4	1.0	
1.0	"	5	1.0	
1.0	"	6	1.0	
1.0	PT400844		1.0	
1.0	410172		1.0	

<input type="checkbox"/> DENOTES NO CHANGE TO DOCS AT ISSUE LEVEL CHANGE		SRG DATE: 17.10.83	RS DATE: 23.11.83	TITLE: AC. PCB ASSY	DRAWING NO: LD400844 SHEET 1 OF 1
		DATE:		DATE:	

DACRON INSTRUMENTS LTD PARTS LIST AC. PCB ASSY

DESIG	PART NO	DESCRIPTION	FRONT MARK	MARKER PART NUMBER	MARKER PART NUMBER	MARKER PART NUMBER
R2	000100	RES CF 300 1% 10W	RESHM	000100	A	10
R3	000101	RES CF 100R 5% 10W	RESHM	000101	A	10
R4	011001	RES MF 1K 1% 10W 50PFM	RESHM	011001	A	10
R5	011003	RES MF 100K 1% 10W 50PFM	RESHM	011003	A	10
R6	014001	RES MF 4K7 1% 10W 50PFM	RESHM	014001	A	10
R9	014001	RES MF 4K7 1% 10W 50PFM	RESHM	014001	A	10
R10	000104	RES CF 100K 5% 10W	RESHM	000104	A	10
R11	000104	RES CF 100K 5% 10W	RESHM	000104	A	10
R12	000104	RES CF 100K 5% 10W	RESHM	000104	A	10
R13	011003	RES MF 100K 1% 10W 50PFM	RESHM	011003	A	10
R14	011003	RES MF 100K 1% 10W 50PFM	RESHM	011003	A	10
R15	000138-1	RES FL 82T 10% 10W	VISHAY MARK	000138	A	10
R16	000100	RES CF 10R 5% 10W	RESHM	000100	A	10
R17	000100	RES CF 10R 5% 10W	RESHM	000100	A	10
R18	000144	RES FL 170R 0.1%	VISHAY MARK	000144	A	10
R19	000144	RES FL 170R 0.1%	VISHAY MARK	000144	A	10
R20	000145	RES FL 100R 0.1%	VISHAY MARK	000145	A	10
R21	000143	RES FL 100R 0.1%	VISHAY MARK	000143	A	10
R22	000145	RES FL 100R 0.1%	VISHAY MARK	000145	A	10
R23	000143	RES FL 100R 0.1%	VISHAY MARK	000143	A	10
R24	000101	RES CF 100R 5% 10W	RESHM	000101	A	10
R25	000100	RES CF 10R 5% 10W	RESHM	000100	A	10
R26	000101	RES CF 100R 5% 10W	RESHM	000101	A	10
R27	000103	RES CF 10K 5% 10W	RESHM	000103	A	10
R28	000104	RES CF 10K 5% 10W	RESHM	000104	A	10
R29	000104	RES CF 100K 5% 10W	RESHM	000104	A	10
R30	000103	RES CF 10K 5% 10W	RESHM	000103	A	10
R31	011002	RES MF 100K 1% 10W 50PFM	RESHM	011002	A	10
R32	000101	RES CF 100R 5% 10W	RESHM	000101	A	10
R33	000140	RES CF 10K 5% 10W	RESHM	000140	A	10
R34	000101	RES CF 100R 5% 10W	RESHM	000101	A	10
R35	000101	RES CF 100R 5% 10W	RESHM	000101	A	10
R36	011002	RES MF 100K 1% 10W 50PFM	RESHM	011002	A	10
R37	011002	RES MF 100K 1% 10W 50PFM	RESHM	011002	A	10
R38	011002	RES MF 100K 1% 10W 50PFM	RESHM	011002	A	10
R39	000104	RES CF 100K 5% 10W	RESHM	000104	A	10
R40	000104	RES CF 100K 5% 10W	RESHM	000104	A	10
R41	011001	RES MF 100K 1% 10W 50PFM	RESHM	011001	A	10
R42	000220	RES CF 10K 5% 10W	RESHM	000220	A	10
R43	011001	RES MF 100K 1% 10W 50PFM	RESHM	011001	A	10
R44	011001	RES MF 100K 1% 10W 50PFM	RESHM	011001	A	10
R45	000103	RES CF 10K 5% 10W	RESHM	000103	A	10
R46	000103	RES CF 10K 5% 10W	RESHM	000103	A	10
R47	000103	RES CF 10K 5% 10W	RESHM	000103	A	10
R48	000103	RES CF 10K 5% 10W	RESHM	000103	A	10
R49	000103	RES CF 10K 5% 10W	RESHM	000103	A	10
R50	000103	RES CF 10K 5% 10W	RESHM	000103	A	10
R51	000103	RES CF 10K 5% 10W	RESHM	000103	A	10
R52	000103	RES CF 10K 5% 10W	RESHM	000103	A	10
R53	000103	RES CF 10K 5% 10W	RESHM	000103	A	10
R54	011001	RES MF 100K 1% 10W 50PFM	RESHM	011001	A	10
R55	000103	RES CF 10K 5% 10W	RESHM	000103	A	10
R56	000103	RES CF 10K 5% 10W	RESHM	000103	A	10





DESIGN	PART NO	DESCRIPTION	PRINC MANUF	MANUF PART NUMBER	CLASS UM	QUANTITY	CHANGES
C19	104026	CAP CD 10NF +50%-20% 50V	SIEMENS	B37449	A	EA	2
C20	104026	CAP CD 10NF +50%-20% 50V	SIEMENS	B37449	A	EA	1
C21	104026	CAP CD 10NF +50%-20% 50V	SIEMENS	B37449	A	EA	1
C22	104026	CAP CD 10NF +50%-20% 50V	SIEMENS	B37449	A	EA	1
C23	104026	CAP CD 10NF +50%-20% 50V	SIEMENS	B37449	A	EA	1
C24	104026	CAP CD 10NF +50%-20% 50V	SIEMENS	B37449	A	EA	1
C25	104026	CAP CD 10NF +50%-20% 50V	SIEMENS	B37449	A	EA	1
C26	104026	CAP CD 10NF +50%-20% 50V	SIEMENS	B37449	A	EA	1
C27	104026	CAP CD 10NF +50%-20% 50V	SIEMENS	B37449	A	EA	1
C28	104026	CAP CD 10NF +50%-20% 50V	SIEMENS	B37449	A	EA	1
C29	104026	CAP CD 10NF +50%-20% 50V	SIEMENS	B37449	A	EA	1
C30	150020	CAP DT 10UF 20% 50V	AVX	TAF10M25F	A	EA	1
C31	150020	CAP DT 10UF 20% 50V	AVX	TAF10M25F	A	EA	1
C32	150020	CAP DT 10UF 20% 50V	AVX	TAF10M25F	A	EA	1
C33	150020	CAP DT 10UF 20% 50V	AVX	TAF10M25F	A	EA	1
C34	102150	CAP CD 10UF 20% 50V	BECK	CD10TH7P0M5CR/SK500	A	EA	1
C35	104026	CAP CD 10NF +50%-20% 50V	SIEMENS	B37449	A	EA	1
C36	104026	CAP CD 10NF +50%-20% 50V	SIEMENS	B37449	A	EA	1
C37	104026	CAP CD 10NF +50%-20% 50V	SIEMENS	B37449	A	EA	1
C38	104026	CAP CD 10NF +50%-20% 50V	SIEMENS	B37449	A	EA	1
C39	104026	CAP CD 10NF +50%-20% 50V	SIEMENS	B37449	A	EA	1
C40	104026	CAP CD 10NF +50%-20% 50V	SIEMENS	B37449	A	EA	1
C41	104026	CAP CD 10NF +50%-20% 50V	SIEMENS	B37449	A	EA	1
C42	104026	CAP CD 10NF +50%-20% 50V	SIEMENS	B37449	A	EA	1
C43	104026	CAP CD 10NF +50%-20% 50V	SIEMENS	B37449	A	EA	1
C44	102150	CAP CD 10UF 20% 50V	BECK	CD10TH7P0M5CR/SK500	A	EA	1
C45	150020	CAP DT 10UF 20% 50V	AVX	TAF10M25F	A	EA	2
C46	150015	CAP DT 10UF 20% 50V	AVX	TAF10M25F	A	EA	2
C47	150015	CAP DT 10UF 20% 50V	AVX	TAF10M25F	A	EA	1
C48	101103	CAP CD 10UF +50%-20% 50V	PHILIPS	2222 693 34339	A	EA	1
C49	102150	CAP CD 10UF 20% 50V	BECK	CD10TH7P0M5CR/SK500	A	EA	1
C50	102150	CAP CD 10UF 20% 50V	BECK	CD10TH7P0M5CR/SK500	A	EA	1
C51	100330	CAP CP 33PF 5% 500V	PHILIPS	2222 693 34339	A	EA	6
C52	150026	CAP DT 10UF 20% 50V	AVX	TAF10M25F	A	EA	1
C53	150024	CAP DT 10UF 20% 50V	AVX	TAF10M25F	A	EA	2
C54	150020	CAP DT 10UF 20% 50V	AVX	TAF10M25F	A	EA	1
C55	150020	CAP DT 10UF 20% 50V	AVX	TAF10M25F	A	EA	1
C56	150024	CAP DT 10UF 20% 50V	AVX	TAF10M25F	A	EA	1
C57	102338	CAP CD 47PF +50%-20% 50V	BECK	CD10TH7P0M5CR/SK500	A	EA	1
C62	102150	CAP CD 10UF 20% 50V	BECK	CD10TH7P0M5CR/SK500	A	EA	1
C64	102470	CAP CD 47PF 5% 500V	BECK	CD10TH7P0M5CR/SK500	A	EA	1
C65	102470	CAP CD 47PF 5% 500V	BECK	CD10TH7P0M5CR/SK500	A	EA	1
C66	102470	CAP CD 47PF 5% 500V	BECK	CD10TH7P0M5CR/SK500	A	EA	1
C67	102470	CAP CD 47PF 5% 500V	BECK	CD10TH7P0M5CR/SK500	A	EA	1
C68	100330	CAP CP 33PF 5% 500V	PHILIPS	2222 693 34339	A	EA	1
C69	100330	CAP CP 33PF 5% 500V	PHILIPS	2222 693 34339	A	EA	1
C70	102470	CAP CD 47PF 5% 500V	BECK	CD10TH7P0M5CR/SK500	A	EA	1
C71	102470	CAP CD 47PF 5% 500V	BECK	CD10TH7P0M5CR/SK500	A	EA	1
C72	102470	CAP CD 47PF 5% 500V	BECK	CD10TH7P0M5CR/SK500	A	EA	1

DESIGN	PART NO	DESCRIPTION	PRINC MANUF	MANUF PART NUMBER	CLASS UM	QUANTITY	CHANGES
C73	102470	CAP CD 47PF 5% 500V	BECK	CD10TH7P0M5CR/SK500	A	EA	1
C74	102470	CAP CD 47PF 5% 500V	BECK	CD10TH7P0M5CR/SK500	A	EA	1
C75	102470	CAP CD 47PF 5% 500V	BECK	CD10TH7P0M5CR/SK500	A	EA	1
C76	102470	CAP CD 47PF 5% 500V	BECK	CD10TH7P0M5CR/SK500	A	EA	1
C77	102470	CAP CD 47PF 5% 500V	BECK	CD10TH7P0M5CR/SK500	A	EA	1
C78	100330	CAP CP 33PF 5% 500V	PHILIPS	2222 693 34339	A	EA	1
C79	101103	CAP CD 10NF +50%-20% 50V	SIEMENS	B37449	A	EA	1
C80	102100	CAP CD 10UF 20% 50V	BECK	CD10TH7P0M5CR/SK500	A	EA	1
C81	100471	CAP CP 100PF 5% 1000V	PHILIPS	2222 693 19471	A	EA	2
C82	100471	CAP CP 100PF 5% 1000V	PHILIPS	2222 693 19471	A	EA	1
C83	104026	CAP CD 10NF +50%-20% 50V	SIEMENS	B37449	A	EA	1
C84	104026	CAP CD 10NF +50%-20% 50V	SIEMENS	B37449	A	EA	1
C85	104026	CAP CD 10NF +50%-20% 50V	SIEMENS	B37449	A	EA	1
C86	104026	CAP CD 10NF +50%-20% 50V	SIEMENS	B37449	A	EA	1
C87	100024	CAP - WET FITTED				EA	1
C88	100222	CAP CD 20PF 20% 500V	BECK	CD10K20M5CR/SK500	A	EA	1
C89	100603	CAP CP 68PF 5% 50V	VISHAY	FNR2		EA	1
C90	102100	CAP CD 10UF 20% 50V	BECK	CD10TH7P0M5CR/SK500	A	EA	1
C91	102221	CAP CD 220PF 10% 500V	BECK	CD10L220P5CR/SK500	A	EA	1
C92	102470	CAP CD 47PF 5% 500V	BECK	CD10TH7P0M5CR/SK500	A	EA	1
C95	100330	CAP CP 33PF 5% 500V	PHILIPS	2222 693 34339	A	EA	1
C97	100330	CAP CP 33PF 5% 500V	PHILIPS	2222 693 34339	A	EA	1
C98	100418	CAP CP 47PF 5% 500V	PHILIPS	2222 693 09418	A	EA	1
D1	213006	DIODE CN 5V 5W	UNITRODE	TVS505		EA	2
D2	213006	DIODE CN 5V 5W	UNITRODE	TVS505		EA	1
D3	213012	DIODE BR 2V0 250mW	PHILIPS	BZV46-2V0		EA	1
D4	213012	DIODE BR 2V0 250mW	PHILIPS	BZV46-2V0		EA	1
D5	200008	DIODE SP 200mA 125V	FAIRCHILD	1N458A	A	EA	20
D6	200008	DIODE SP 200mA 125V	FAIRCHILD	1N458A	A	EA	1
D7	200008	DIODE SP 200mA 125V	FAIRCHILD	1N458A	A	EA	1
D8	200008	DIODE SP 200mA 125V	FAIRCHILD	1N458A	A	EA	1
D9	213022	DIODE CN 15V 5W	UNITRODE	TVS510		EA	4
D10	213022	DIODE CN 15V 5W	UNITRODE	TVS510		EA	1
D11	213022	DIODE CN 15V 5W	UNITRODE	TVS510		EA	1
D12	213022	DIODE CN 15V 5W	UNITRODE	TVS510		EA	1
D13	213022	DIODE CN 15V 5W	UNITRODE	TVS510		EA	1
D14	213009	DIODE CN 15V 5W	UNITRODE	TVS515		EA	1
D15	213009	DIODE CN 15V 5W	UNITRODE	TVS515		EA	1
D16	200002	DIODE SP 1A 50V	FAIRCHILD	1N4001		EA	1
D17	213022	DIODE CN 15V 500mW	PHILIPS	BZV46-2V0	A	EA	1
D20	200001	DIODE SP 75mA 75V	FAIRCHILD	1N4148		EA	4
D21	200001	DIODE SP 75mA 75V	FAIRCHILD	1N4148		EA	1
D22	200001	DIODE SP 75mA 75V	FAIRCHILD	1N4148		EA	1
D23	200008	DIODE SP 200mA 125V	FAIRCHILD	1N458A	A	EA	1
D24	200001	DIODE SP 75mA 75V	FAIRCHILD	1N4148		EA	1
D25	210130	DIODE CN 12V 100mW	PHILIPS	BZX79C12	A	EA	1

DESIG	PART NO	DESCRIPTION	FRING MANUF	MANUF PART NUMBER	QUANTITY	UNIT PRICE	TOTAL
D26	200032	DIODE 2N 1A 50V	FAIRCHILD	1N411	1	0.1	0.1
D27	200032	DIODE 2N 1A 50V	FAIRCHILD	1N411	1	0.1	0.1
D28	213023	DIODE 2N 5V1 5W	MOTOROLA	1N4148	1	0.1	0.1
D29	213023	DIODE 2N 5V1 5W	MOTOROLA	1N4148	1	0.1	0.1
D30	213023	DIODE 2N 5V1 400mW	MOTOROLA	1N4148	1	0.1	0.1
D31	200008	DIODE 2P 200mA 125V	FAIRCHILD	1N4004	1	0.1	0.1
D32	210091	DIODE 2N 9V1 400mW	PHILIPS	1N4148	1	0.1	0.1
D33	200001	DIODE 2P 75mA 75V	FAIRCHILD	1N4148	1	0.1	0.1
D34	210056	DIODE 2N 5V6 400mW	PHILIPS	1N4148	1	0.1	0.1
D35	210056	DIODE 2N 5V6 400mW	PHILIPS	1N4148	1	0.1	0.1
D37	200009	DIODE 2P 200mA 125V	FAIRCHILD	1N4004	1	0.1	0.1
D38	200008	DIODE 2P 200mA 125V	FAIRCHILD	1N4004	1	0.1	0.1
D39	200008	DIODE 2P 200mA 125V	FAIRCHILD	1N4004	1	0.1	0.1
D40	200008	DIODE 2P 200mA 125V	FAIRCHILD	1N4004	1	0.1	0.1
D41	200008	DIODE 2P 200mA 125V	FAIRCHILD	1N4004	1	0.1	0.1
D42	213011	DIODE 2N 1V5 100mW	PHILIPS	1N4148	1	0.1	0.1
D43	213011	DIODE 2N 1V5 100mW	PHILIPS	1N4148	1	0.1	0.1
D44	200001	DIODE 2P 75mA 75V	FAIRCHILD	1N4148	1	0.1	0.1
D45	200001	DIODE 2P 75mA 75V	FAIRCHILD	1N4148	1	0.1	0.1
D46	200001	DIODE 2P 75mA 75V	FAIRCHILD	1N4148	1	0.1	0.1
D47	200001	DIODE 2P 75mA 75V	FAIRCHILD	1N4148	1	0.1	0.1
D49	200008	DIODE 2P 200mA 125V	FAIRCHILD	1N4004	1	0.1	0.1
D50	200008	DIODE 2P 200mA 125V	FAIRCHILD	1N4004	1	0.1	0.1
D52	200008	DIODE 2P 200mA 125V	FAIRCHILD	1N4004	1	0.1	0.1
D53	200008	DIODE 2P 200mA 125V	FAIRCHILD	1N4004	1	0.1	0.1
D54	200008	DIODE 2P 200mA 125V	FAIRCHILD	1N4004	1	0.1	0.1
D55	200008	DIODE 2P 200mA 125V	FAIRCHILD	1N4004	1	0.1	0.1
D56	200008	DIODE 2P 200mA 125V	FAIRCHILD	1N4004	1	0.1	0.1
D59	200008	DIODE 2P 200mA 125V	FAIRCHILD	1N4004	1	0.1	0.1
D60	200008	DIODE 2P 200mA 125V	FAIRCHILD	1N4004	1	0.1	0.1
Q1	250004	TRAN PNP T092	NATIONAL	2N3904	1	0.1	0.1
Q2	230062	TRAN JFET N-CHAN	SILICONIX	2N3110	1	0.1	0.1
Q3	230069	TRAN JFET N-CHAN	SILICONIX	2N3110	1	0.1	0.1
Q4	230003	TRAN JFET N-CHAN	TELETYPE	11894JF	1	0.1	0.1
Q5	230003	TRAN JFET N-CHAN	TELETYPE	11894JF	1	0.1	0.1
Q6	230003	TRAN JFET N-CHAN	TELETYPE	11894JF	1	0.1	0.1
Q19	250004	TRAN PNP T092	NATIONAL	2N3904	1	0.1	0.1
Q20	250004	TRAN PNP T092	NATIONAL	2N3904	1	0.1	0.1
Q21	250004	TRAN PNP T092	NATIONAL	2N3904	1	0.1	0.1
Q22	230042	TRAN JFET I LIM 3mA	SILICONIX	2N3110	1	0.1	0.1
Q23	250004	TRAN PNP T092	NATIONAL	2N3904	1	0.1	0.1
Q24	240006	TRAN NPN T092	MOTOROLA	2N3904	1	0.1	0.1
Q25	240006	TRAN NPN T092	MOTOROLA	2N3904	1	0.1	0.1
Q26	240025	TRAN NPN DARL	MOTOROLA	2N3904	1	0.1	0.1
Q27	240013	TRAN NPN T01A	NATIONAL	2N3904	1	0.1	0.1

DESIG	PART NO	DESCRIPTION	FRING MANUF	MANUF PART NUMBER	QUANTITY	UNIT PRICE	TOTAL
Q28	230042	TRAN JFET I LIM 3mA	SILICONIX	2N3110	1	0.1	0.1
Q29	250004	TRAN PNP T092	NATIONAL	2N3904	1	0.1	0.1
Q30	250004	TRAN PNP T092	NATIONAL	2N3904	1	0.1	0.1
Q31	240006	TRAN NPN T092	MOTOROLA	2N3904	1	0.1	0.1
Q32	250004	TRAN PNP T092	NATIONAL	2N3904	1	0.1	0.1
Q33	250004	TRAN PNP T092	NATIONAL	2N3904	1	0.1	0.1
Q34	240006	TRAN NPN T092	MOTOROLA	2N3904	1	0.1	0.1
Q35	240006	TRAN NPN T092	MOTOROLA	2N3904	1	0.1	0.1
Q36	230042	TRAN JFET I LIM 3mA	SILICONIX	2N3110	1	0.1	0.1
Q37	250008	TRAN PNP T01P	NATIONAL	2N3904	1	0.1	0.1
Q38	239072-1	TRAN JFET N-CHAN SELECTED	SILICONIX	2N3110	1	0.1	0.1
Q39	239072-1	TRAN JFET N-CHAN SELECTED	SILICONIX	2N3110	1	0.1	0.1
Q40	230070	TRAN JFET N-CHAN DARL	SILICONIX	2N3110	1	0.1	0.1
Q41	230070	TRAN JFET N-CHAN DARL	SILICONIX	2N3110	1	0.1	0.1
Q42	230065	TRAN JFET I LIM 3mA	SILICONIX	2N3110	1	0.1	0.1
Q43	230065	TRAN JFET I LIM 3mA	SILICONIX	2N3110	1	0.1	0.1
Q46	230035	TRAN JFET N-CHAN	TELETYPE	11894JF	1	0.1	0.1
Q48	230029	TRAN JFET N-CHAN	SILICONIX	2N3110	1	0.1	0.1
Q51	230029	TRAN JFET N-CHAN	SILICONIX	2N3110	1	0.1	0.1
Q52	230003	TRAN JFET N-CHAN	TELETYPE	11894JF	1	0.1	0.1
M1	260072	IC LIN OP AMP	INTERDIG	11211	1	0.1	0.1
M2	260072	IC LIN OP AMP	INTERDIG	11211	1	0.1	0.1
M3	260042	IC LIN OP AMP 1/2	TELETYPE	11894JF	1	0.1	0.1
M4	260108	IC LIN OP AMP	TELETYPE	11894JF	1	0.1	0.1
M5	260108	IC LIN OP AMP	TELETYPE	11894JF	1	0.1	0.1
M6	260075	IC LIN OP AMP 2/2	TELETYPE	11894JF	1	0.1	0.1
M7	260025	IC LIN OP AMP 2/2	TELETYPE	11894JF	1	0.1	0.1
M8	260025	IC LIN OP AMP 2/2	TELETYPE	11894JF	1	0.1	0.1
M9	260124	IC LIN OP AMP 1/2	TELETYPE	11894JF	1	0.1	0.1
M10	260075	IC LIN OP AMP 2/2	TELETYPE	11894JF	1	0.1	0.1
M11	260124	IC LIN OP AMP 1/2	TELETYPE	11894JF	1	0.1	0.1
M12	260124	IC LIN OP AMP 1/2	TELETYPE	11894JF	1	0.1	0.1
M13	260124	IC LIN OP AMP 1/2	TELETYPE	11894JF	1	0.1	0.1
M14	260124	IC LIN OP AMP 1/2	TELETYPE	11894JF	1	0.1	0.1
M15	260124	IC LIN OP AMP 1/2	TELETYPE	11894JF	1	0.1	0.1
M16	260124	IC LIN OP AMP 1/2	TELETYPE	11894JF	1	0.1	0.1
M17	260124	IC LIN OP AMP 1/2	TELETYPE	11894JF	1	0.1	0.1
M18	260124	IC LIN OP AMP 1/2	TELETYPE	11894JF	1	0.1	0.1
M19	260124	IC LIN OP AMP 1/2	TELETYPE	11894JF	1	0.1	0.1
M20	260124	IC LIN OP AMP 1/2	TELETYPE	11894JF	1	0.1	0.1
M21	260124	IC LIN OP AMP 1/2	TELETYPE	11894JF	1	0.1	0.1
M22	260124	IC LIN OP AMP 1/2	TELETYPE	11894JF	1	0.1	0.1
M23	260124	IC LIN OP AMP 1/2	TELETYPE	11894JF	1	0.1	0.1
M24	260124	IC LIN OP AMP 1/2	TELETYPE	11894JF	1	0.1	0.1
M25	260124	IC LIN OP AMP 1/2	TELETYPE	11894JF	1	0.1	0.1
M26	260124	IC LIN OP AMP 1/2	TELETYPE	11894JF	1	0.1	0.1
M27	260124	IC LIN OP AMP 1/2	TELETYPE	11894JF	1	0.1	0.1
M28	260124	IC LIN OP AMP 1/2	TELETYPE	11894JF	1	0.1	0.1
M29	260124	IC LIN OP AMP 1/2	TELETYPE	11894JF	1	0.1	0.1
M30	260124	IC LIN OP AMP 1/2	TELETYPE	11894JF	1	0.1	0.1

DESIG	PART NO	DESCRIPTION	PRINC MANUF	MANUF PART NUMBER	CLASS	QM	QUANTITY	CHANGES
M27	280103	IC DIS CR3 X3	MOTOROLA	MC14018CP	EA	-		
M28	280390	IC DIS DRIVER EMULATING X1	SGS	88282CP	A	EA	2	
M29	280392	IC DIS DRIVER EMULATING X2	SGS	88282CP	A	EA	2	
M30	280105	IC DIS PHASE DETECTOR	NATIONAL	DM74C93DN	EA	1		
M31	280073	IC LIN OP AMP	NATIONAL	LM741CN	EA	-		
M32	260087	IC LIN OP AMP BIFET	MOTOROLA	MC14081P	EA	1		
RL2	330030	RELAY 4PNO	SGS	64-24V	EA	2		
RL3	330032	RELAY 4PCW MINIATURE	YAMAWATA	MC1481	EA	1		
RL4	330029	RELAY 2P2W	SGS	652E-DC24V	EA	11		
RL5	330029	RELAY 2P2W	SGS	652E-DC24V	EA	-		
RL6	330029	RELAY 2P2W	SGS	652E-DC24V	EA	-		
RL7	330029	RELAY 2P2W	SGS	652E-DC24V	EA	-		
RL8	330029	RELAY 2P2W	SGS	652E-DC24V	EA	-		
RL9	330033	RELAY 4PNO	SGS	64-24V	EA	-		
RL10	330033	RELAY 4PNO	SGS	64-24V	EA	-		
RL11	330031	RELAY 4PNO 2P2W	SGS	64-24V	EA	1		
RL12	330011-3	RELAY 4PNO REED SWITCH	HARWIN	SEE DRG	EA	1		
RL13	330029	RELAY 2P2W	SGS	652E-DC24V	EA	-		
RL14	330029	RELAY 2P2W	SGS	652E-DC24V	EA	-		
RL15	330029	RELAY 2P2W	SGS	652E-DC24V	EA	-		
RL16	330029	RELAY 2P2W	SGS	652E-DC24V	EA	-		
RL17	330029	RELAY 2P2W	SGS	652E-DC24V	EA	-		
RL18	330030	RELAY 4PNO	SGS	64-24V	EA	-		
RL19	330030	RELAY 4PNO	SGS	64-24V	EA	-		
RL20	330029	RELAY 2P2W	SGS	652E-DC24V	EA	-		
L1	370001	CHOKER RF 100H	SIGMA	SC10/25	A	EA	2	
L2	370001	CHOKER RF 100H	SIGMA	SC10/25	A	EA	1	
L3	370001	CHOKER RF 100H	SIGMA	SC10/25	A	EA	1	
L4	370001	CHOKER RF 100H	SIGMA	SC10/25	A	EA	1	
L6	370001	CHOKER RF 100H	SIGMA	SC10/25	A	EA	1	
L7	370001	CHOKER RF 100H	SIGMA	SC10/25	A	EA	1	
L8	370027	CHOKER RF 47UH 1/4	SIC	SC30-10-2533-10	EA	1		
F1	220129	FUSE 1A 125V TMM	LITTLEFUSE	275-025	EA	2		
F2	220120	FUSE 1A 125V TMM	LITTLEFUSE	275-025	EA	1		
AKA	604046	PLUG PCB 3-WAY .1"	MOLEX	22-10-2031	EA	2		
LNA	605127	SOCKET LINK 2-WAY .1" BLK	ASSMANN	AKSPL-6	EA	2		
LKB	604046	PLUG PCB 3-WAY .1"	MOLEX	22-10-2031	EA	-		
LKB	605127	SOCKET LINK 2-WAY .1" BLK	ASSMANN	AKSPL-6	EA	-		
	400639-1	ASSY PCB ATTENUATOR TAPE	DATRON	SEE DRG	EA	1		
	400842-1	ASSY PCB AC SENSE 4700	DATRON	SEE DRG	EA	1		
	410170-11	PCB AC 1000		SEE DRG	EA	1		
	420098	LABEL SERIAL ASSY No.	RS	554-730	EA	1		
	420110-1	LABEL SSC WARNING 10 X 12mm		SEE DRG	EA	1		
	450424-1	GUARD SHIELD TOP		SEE DRG	EA	1		
	450425-1	GUARD SHIELD BOTTOM		SEE DRG	EA	1		

DESIG	PART NO	DESCRIPTION	PRINC MANUF	MANUF PART NUMBER	CLASS	QM	QUANTITY	CHANGES
	512000	WIRE 7/2 PTFE 1KV BLK	BSS210	TYPE C	AR	1		
	512999	WIRE 7/2 PTFE 1KV WHI	BSS210	TYPE C	AR	1		
	540002	WIRE 1/7 TINNED COPPER	BS4109	22SWG	AR	1		
	560002	CABLE AX 2.54mm 1/34AWG	MIL-C170	RGL74U	MM	250		
	590001	SLEEVE NP 1.5 X 20MM BLK	HELLERMANN	H15	EA	2		
	590004	SLEEVE PTFE 1mm BLK	HELLERMAN	F510	AR	1		
	590006	SLEEVE HS 2.4mm YLW	R.S.COMONENTS	399-495	AR	1		
	590007	LACING TAPE 2.5MM	ALPHA	LC136	A	AR	1	
	590031	SLEEVE HS 3.2mm YLW	R.S.COMONENTS	399-502	AR	1		
	590074	SLEEVE SOLDER DIAH.3.0	RAYFAST	CWT-3	EA	1		
	604056	PLUG PCB 4-WAY .1"	MOLEX	32-10-2041	EA	10		
	605059	SOCKET PCB 8-WAY DIL	JERMYN	J23-18009	A	EA	2	
	605060	SOCKET PCB 14-WAY DIL	JERMYN	J23-18014	A	EA	12	
	605061	SOCKET PCB 16-WAY DIL	JERMYN	J23-18016	A	EA	8	
	611004	SCREW M3 X 6 POSIPAN SSP			EA	1		
	611012	SCREW M3 X 12 POSICOR SSP			EA	3		
	612010-1	STANDOFF M3 X 14	DATRON	SEE DRG	EA	1		
	613029	WASHER M3 WAVY SS			EA	1		
	614001-1	SPACER M3 CLEAR X 4		SEE DRG	EA	3		
	620003	SOLDER PIN	HARWIN	H2105A01	EA	3		
	620007	TEST POINT TERMINAL	MICROVAR	TYPE C30	EA	39		
	630024	BEAD CERAMIC 16 SWG	FARK ROYAL PORCELAIN	No2	EA	24		
	630036	BEAD CERAMIC 18 SWG	FARK ROYAL PORCELAIN	No1	EA	10		
	630121	PCB EJECTOR GREEN	RICRCD	DBE	EA	2		
	630243	BEAD GLASS 2.4 X 2.81 X 1.5	MAUSOL (PREFORMS)	LT M5363B/3	EA	4		
	900004	SILICONE RUBBER COMPOUND	RS	555-568	AR	1		

End

DRAWING No <b>400614</b>		CHK'D	1.0 2102 10.3.86 RKS 1.1 2193 11.7.86 1.2 2210 14.4.86 1.3 2235 28.4.86 1.4 2229 20.5.86 1.5 2256 25.6.86 1.6 2323 18.7.86 1.7 2365 29.86 1.8 2386 26.1.87 1.9 2497 26.1.87 1.9 2585 1.5.87 1.10 2591 12.6.87 1.10 2609 22.6.87 1.10 2676 30.04.87 1.10 2697 18 NOV 87 1.10 2749 2.2.88 1.11 2856 28.7.88 1.11 2810 5.6.89																				
DATE		EGD	1.0 1.0 1.1 1.1 1.2 1.2 1.3 1.3 1.4 1.4 1.5 1.5 1.6 1.6 1.7 1.7 1.8 1.8 1.9 1.9 1.10 1.10 1.11 1.11																				
REVISION		ISSUE	1.0 1.0 1.1 1.1 1.2 1.2 1.3 1.3 1.4 1.4 1.5 1.5 1.6 1.6 1.7 1.7 1.8 1.8 1.9 1.9 1.10 1.10 1.11 1.11																				
DESCRIPTION	DRAWING NUMBER	SHEET NUMBER	ISSUE - REVISION																				
COMPONENT LAYOUT	480614	1	1.0 1.0																				
COMPONENT LAYOUT	480614	2	1.1 1.1																				
SCHEMATIC	430614	1	1.1 1.1																				
SCHEMATIC	430614	2	1.1 1.1																				
SCHEMATIC	430614	3	1.1 1.1																				
FUNCTIONAL TEST PROC.	460614/FT	1-5	1.0 1.0																				
FUNCT. TEST TICK LIST	470614/FT	1-2	1.0 1.0																				
PCB	410347		1.0 1.0																				
NOTES			<input type="checkbox"/> INDICATES NO CHANGE TO DOC. AT ISSUE LEVEL CHANGE.						DRN: 1 DATE: 13.8.85			CHK'D: R.H. COGGAN DATE: 18/3/86			APP'D: [Signature] DATE: 18.3.86			TITLE: 4700 I/O PCB ASSEMBLY			DRAWING No: 400614 SHEET 1 OF 15		

DESIGNATOR	DATRON PART No.	DESCRIPTION	PRINCIPAL MANUFACTURER	MANUFACTURER'S PART No.	No. USED Per Assy.
R1	008037	OR18 10% 2W5 WIREWOUND	WELWYN	W21	1
R2	000820	82R 5% 1/4W CARBON	MULLARD	CR25	1
R3	000821	820R 5% 1/4W CARBON	MULLARD	CR25	1
R4		NOT USED			
R5	000688	6R8 5% 1/4W CARBON	MULLARD	CR25	1
R6	000103	10K 5% 1/4W CARBON	MULLARD	CR25	2
R7	000103	10K 5% 1/4W CARBON	MULLARD	CR25	-
R8	080084	90R00 -1% 3ppm M.FOIL	VISHAY	S102C	1
R9	080085	300R0 -1% 3ppm M.FOIL	VISHAY	S102C	1
R10	067502	5K POT 20TURN CERMET	BECKMAN	68X	2
R11	000101	100R 5% 1/4W CARBON	MULLARD	CR25	9
R12	000101	100R 5% 1/4W CARBON	MULLARD	CR25	-
R13	000333	33K 5% 1/4W CARBON	MULLARD	CR25	2
R14	000104	100K 5% 1/4W CARBON	MULLARD	CR25	3
R15	000101	100R 5% 1/4W CARBON	MULLARD	CR25	-
R16	000101	100R 5% 1/4W CARBON	MULLARD	CR25	-
R17	000104	100K 5% 1/4W CARBON	MULLARD	CR25	-
R18	012001	2K00 1% 1/8W 50ppm MF	HOLCO	H8C	2
R19	012001	2K00 1% 1/8W 50ppm MF	HOLCO	H8C	-
R20	011302	13K0 1% 1/8W 50ppm MF	HOLCO	H8C	2
R21	011302	13K0 1% 1/8W 50ppm MF	HOLCO	H8C	-
R22	000393	33K 5% 1/4W CARBON	MULLARD	CR25	-
R23	067202	2K POT 20TURN CERMET	BECKMAN	68X	1

DATE	7.5.85	
TITLE	4700 I/O PCB ASSEMBLY	
DRAWING No	400614	SHEET 2 OF 15

DESIGNATOR	DATRON PART No.	DESCRIPTION	PRINCIPAL MANUFACTURER	MANUFACTURER'S PART No.	No. USED Per Assy
R24		NOT USED			
R25		NOT USED			
R26	011001	1K00 1% 1/8W 50ppm MF	HOLCO	HBC	2
R27	012670	267R 1% 1/8W 50ppm MF	HOLCO	HBC	1
R28	011001	1K00 1% 1/8W 50ppm MF	HOLCO	HBC	-
R29	000101	100R 5% 1/4W CARBON	MULLARD	CR25	-
R30	000101	100R 5% 1/4W CARBON	MULLARD	CR25	-
R31	066200	20R POT 3/8 SQ VERT.CERMET	BECKMAN	72XW	1
R32		NOT USED			
R33		NOT USED			
R34	000102	1K 5% 1/4W CARBON	MULLARD	CR25	3
R35	000102	1K 5% 1/4W CARBON	MULLARD	CR25	-
R36	NOT USED				-
R37	000101	100R 5% 1/4W CARBON	MULLARD	CR25	-
R38	000101	100R 5% 1/4W CARBON	MULLARD	CR25	-
R39	013401	3K40 1% 1/8W 50ppm MF	HOLCO	HBC	1
R40	012002	20K0 1% 1/8W 50ppm MF	HOLCO	HBC	1
R41	000104	100K 5% 1/4W CARBON	MULLARD	CR25	-
R42		NOT USED			
R43	080083	2K0000 .01% 3ppm M.FOIL	VISHAY	S102C	3
R44	080096	18K000 .01% 3ppm M.FOIL	VISHAY	S102C	1
R45	080082	20K000 .01% 3ppm M.FOIL	VISHAY	S102C	2
R46	080083	2K0000 .01% 3ppm M.FOIL	VISHAY	S102C	-

NOTES.

SEE SHEET 1 FOR LATEST ISSUE

ISS																				
E.C.O.																				
DATE																				
CHKD																				

DATE	7. 5. 85	datron ELECTRONICS LTD	
DRAWN	11	TITLE	4700
CHECKED		I/R PCB ASSEMBLY	
APPROVED		DRAWING NUMBER	400614
DATE		3 SHEET OF 15	

DESIGNATOR	DATRON PART No.	DESCRIPTION	PRINCIPAL MANUFACTURER	MANUFACTURER'S PART No.	No. USED Per Assy
R47	080082	20K000 .01% 3ppm M.FOIL	VISHAY	S102C	-
R48	080083	2K0000 .01% 3ppm M.FOIL	VISHAY	S102C	-
R49	000100	10R 5% 1/4W CARBON	MULLARD	CR25	2
R50	000100	10R 5% 1/4W CARBON	MULLARD	CR25	-
R51	000105	1M 5% 1/4W CARBON	MULLARD	CR25	2
R52	000153	15K 5% 1/4W CARBON	MULLARD	CR25	1
R53	067201	200R POT 20TURN CERMET	BECKMAN	68X	1
R54	067502	5K POT 20TURN CERMET	BECKMAN	68X	-
R55	067503	50K POT 20TURN CERMET	BECKMAN	68X	1
R56	067504	500K POT 20TURN CERMET	BECKMAN	68X	1
R57	067205	2M POT 20TURN CERMET	BECKMAN	68X	1
R58	067100	10R POT 20TURN CERMET	BECKMAN	68X	1
R59	000101	100R 5% 1/4W CARBON	MULLARD	CR25	-
R60 (FSV)	041655	16M5 1% 1/2W 150ppm MF	MEPCO	50S37L	1
R61 (FSV)	011698	16R9 1% 1/8W 50ppm MF	HOLCO	HBC	1
R62	070134 - 3	99K980 50ppm WIREWOUND	MANN	SEE DRG.	1
R63	070133 - 3	10K0060 50ppm WIREWOUND	MANN	SEE DRG.	1
R64	070132 - 3	1K00040 50ppm WIREWOUND	MANN	SEE DRG.	1
R65	070131 - 3	100R040 50ppm WIREWOUND	MANN	SEE DRG.	1
R66 (FSV)	012493	249K 1% 1/8W 50ppm MF	HOLCO	HBC	1
R67	000105	1M 5% 1/4W CARBON	MULLARD	CR25	-
R68 (FSV)	042264	2M26 1% 1/2W 100ppm CF	ALLEN BRADLEY	CC	1
R69 (FSV)	011503	150K 1% 1/8W 50ppm MF	HOLCO	HBC	1

NOTES.

SEE SHEET 2 FOR LATEST ISSUE

ISS																				
E.C.O.																				
DATE																				
CHKD																				

DATE	7. 5. 85	datron ELECTRONICS LTD	
DRAWN	11	TITLE	4700
CHECKED		I/R PCB ASSEMBLY.	
APPROVED		DRAWING NUMBER	400614
DATE		4 SHEET OF 15	



DESIGNATOR	DATRON PART No.	DESCRIPTION	PRINCIPAL MANUFACTURER	MANUFACTURER'S PART No.	No. USED Per Assy.
C1	104026	47nF $\pm 50\%$ 50V CER DISC	SIEMENS	B37449	17
C2	104026	47nF $\pm 50\%$ 50V CER DISC	SIEMENS	B37449	-
C3		NOT USED			-
C4	110035	220nF 20% 63V POLYESTER	WIMA	MK52	2
C5	104026	47nF $\pm 50\%$ 50V CER DISC	SIEMENS	B37449	-
C6	104026	47nF $\pm 50\%$ 50V CER DISC	SIEMENS	B37449	-
C7	104026	47nF $\pm 50\%$ 50V CER DISC	SIEMENS	B37449	-
C8		NOT USED			-
C9		NOT USED			-
C10		NOT USED			-
C11		NOT USED			-
C12	104026	47nF $\pm 50\%$ 50V CER DISC	SIEMENS	B37449	-
C13	150016	1 $\mu$ F 20% 35V DIP TANT	UNION CARBIDE	K10E35	2
C14	104026	47nF $\pm 50\%$ 50V CER DISC	SIEMENS	B37449	-
C15	110042	100nF 20% 63V POLYESTER	WIMA	MK52	3
C16	110042	100nF 20% 63V POLYESTER	WIMA	MK52	-
C17	110035	220nF 20% 63V POLYESTER	WIMA	MK52	-
C18	110042	100nF 20% 63V POLYESTER	WIMA	MK52	-
C19	150020	10 $\mu$ F 20% 25V DIP TANT	UNION CARBIDE	K10E25	4
C20	104026	47nF $\pm 50\%$ 50V CER DISC	SIEMENS	B37449	-
C21	104026	47nF $\pm 50\%$ 50V CER DISC	SIEMENS	B37449	-
C22	150004	100 $\mu$ F 20% 6V3 DIP TANT	UNION CARBIDE	K100E6V3	1
C23	150020	10 $\mu$ F 20% 25V DIP TANT	UNION CARBIDE	K10E25	-

NOTES.

SEE SHEET 2 FOR LATEST ISSUE

ISS									
E.C.D.									
DATE									
CHKD									

DATE	7 5 85	datron ELECTRONICS LTD	
DRAWN	IL	TITLE	4700
CHECKED		I/ $\Omega$ PCB ASSEMBLY	
APPROVED		DRAWING NUMBER	400614
DATE		SHEET 7 OF 15	

DESIGNATOR	DATRON PART No.	DESCRIPTION	PRINCIPAL MANUFACTURER	MANUFACTURER'S PART No.	No. USED Per Assy.
C24	104026	47nF $\pm 50\%$ 50V CER DISC	SIEMENS	B37449	-
C25	104026	47nF $\pm 50\%$ 50V CER DISC	SIEMENS	B37449	-
C26	150020	10 $\mu$ F 20% 25V DIP TANT	UNION CARBIDE	K10E25	-
C27	104026	47nF $\pm 50\%$ 50V CER DISC	SIEMENS	B37449	-
C28	150020	10 $\mu$ F 20% 25V DIP TANT	UNION CARBIDE	K10E25	-
C29	150005	2 $\mu$ 2F 20% 16V DIP TANT	UNION CARBIDE	K2R2E16	2
C30	150005	2 $\mu$ 2F 20% 16V DIP TANT	UNION CARBIDE	K2R2E16	-
C31	102100	10pF 5% 500V CER DISC	ITT	CD10	1
C32	150016	1 $\mu$ F 20% 35V DIP TANT	UNION CARBIDE	K10E35	-
C33	104026	47nF $\pm 50\%$ 50V CER DISC	SIEMENS	B37449	-
C34	104026	47nF $\pm 50\%$ 50V CER DISC	SIEMENS	B37449	-
C35	104026	47nF $\pm 50\%$ 50V CER DISC	SIEMENS	B37449	-
C36	150021	22 $\mu$ F 20% 25V DIP TANT	UNION CARBIDE	K22E25	2
C37	150021	22 $\mu$ F 20% 25V DIP TANT	UNION CARBIDE	K22E25	-
C38	104026	47nF $\pm 50\%$ 50V CER DISC	SIEMENS	B37449	-
C39	104026	47nF $\pm 50\%$ 50V CER DISC	SIEMENS	B37449	-
C40	140054	1nF 20% 400V AC POLYPROP	WIMA	FKP1	3
C41	140054	1nF 20% 400V AC POLYPROP	WIMA	FKP1	-
C42	140054	1nF 20% 400V AC POLYPROP	WIMA	FKP1	-
C43	102330	33pF 5% 500V CER DISC	ITT	CD10	2
C44	102470	47pF 5% 500V CER DISC	ITT	CD10	2
C45		NOT USED			-
C46	102101	100pF 10% 500V CER DISC	ITT	CD10	1

NOTES.

SEE SHEET 2 FOR LATEST ISSUE

ISS									
E.C.D.									
DATE									
CHKD									

DATE	7 5 85	datron ELECTRONICS LTD	
DRAWN	IL	TITLE	4700
CHECKED		I/ $\Omega$ PCB ASSEMBLY	
APPROVED		DRAWING NUMBER	400614
DATE		SHEET 8 OF 15	

DESIGNATOR	DATRON PART No.	DESCRIPTION	PRINCIPAL MANUFACTURER	MANUFACTURER'S PART No.	No. USED Per Assy.
C47	102330	33pF 5% 500V CER DISC	ITT	CD10	-
C48	102270	27pF 5% 500V CER DISC	ITT	CD10	1
C49	102470	47pF 5% 500V CER DISC	ITT	CD10	-
D1	200001	75mA 75V GP SI DIODE	FAIRCHILD	IN4148	5
D2	200001	75mA 75V GP SI DIODE	FAIRCHILD	IN4148	-
D3	210062	6V2 400mW ZENER	MULLARD	BZY88C	2
D4	210062	6V2 400mW ZENER	MULLARD	BZY88C	-
D5	213012	2V0 250mW REG DIODE	MULLARD	BZV46-2V0	1
D6	210033	3V3 400mW ZENER	MULLARD	BZY88C3V3	1
D7	213009	15V 5W ZENER	UNITRODE	TV5515	4
D8	200001	75mA 75V GP SI DIODE	FAIRCHILD	IN4148	-
D9	200001	75mA 75V GP SI DIODE	FAIRCHILD	IN4148	-
D10	200001	75mA 75V GP SI DIODE	FAIRCHILD	IN4148	-
D11	213009	15V 5W ZENER	UNITRODE	TV5515	-
D12	213009	15V 5W ZENER	UNITRODE	TV5515	-
D13	213009	15V 5W ZENER	UNITRODE	TV5515	-
D14	NOT USED				-
D15	NOT USED				-
D16	200002	1A 50V GP SI DIODE	FAIRCHILD	IN4001	2
D17	200002	1A 50V GP SI DIODE	FAIRCHILD	IN4001	-
D18	213006	5V 5W ZENER	UNITRODE	TV5505	2

NOTES

SEE SHEET 2 FOR LATEST ISSUE

REV	DATE	BY	CHKD

DATE 7 5 85	datron ELECTRONICS LTD
DRAWN 	
CHECKED 	TITLE 4700
APPROVED 	I/O PCB ASSEMBLY
DATE 	DRAWING NUMBER 400614
	SHEET 9 of 15

DESIGNATOR	DATRON PART No.	DESCRIPTION	PRINCIPAL MANUFACTURER	MANUFACTURER'S PART No.	No. USED Per Assy.
D19	213006	5V 5W ZENER	UNITRODE	TV5505	-
					-
					-
					-
Q1	250011	SI PNP TRANSISTOR	NATIONAL	BC327/T018	1
Q2	230001	N-CHAN I LIM 1.4mA	SILICONIX	J506	3
Q3	250004	SI PNP TRANSISTOR	NATIONAL	2N3906/T092	1
Q4	230001	N-CHAN I LIM 1.4mA	SILICONIX	J506	-
Q5	240006	SI NPN TRANSISTOR	NATIONAL	2N3904/T092	2
Q6	230031	N-CHAN DUAL J FET	SILICONIX	U404	1
Q7	230036	N-CHAN J FET	SILICONIX	J108	-
Q8		NOT USED			-
Q9	230001	N-CHAN I LIM 1.4mA		J506	-
Q10		NOT USED			-
Q11	240006	SI NPN TRANSISTOR	NATIONAL	2N3904/T092	-

REV	DATE	BY	CHKD

DATE 7 5 85	datron ELECTRONICS LTD
DRAWN 	
CHECKED 	TITLE 4700
APPROVED 	I/O PCB ASSEMBLY
DATE 	DRAWING NUMBER 400614
	SHEET 10 of 15



DESIGNATOR	DATRON PART No.	DESCRIPTION	PRINCIPAL MANUFACTURER	MANUFACTURER'S PART No.	No. USED Per Assy.
M1	260069	4II OP AMP	NATIONAL	LF411CH	2
M2	NOT USED				-
M3	260083	LTC1052CN OP AMP	LINEAR TECHNOLOGY	LTC 1052 CN	1
M4	260065	OP27 OP AMP	PMI	OP27FZ	2
M5	NOT USED				-
M6	280035	BCD/DECIMAL DECODER	MOTOROLA	MC14023 BCP	2
M7	260069	4II OP AMP	NATIONAL	LF411CH	-
M8	260065	OP27 OP AMP	PMI	OP27FZ	-
M9	280045	TRIPLE 3 I/P NOR	MOTOROLA	MC14025 BCP	2
M10	260086	DUAL POWER AUDIO AMP	NATIONAL	LM1877N	1
M11	NOT USED				-
M12	280050	7X DARLINGTON DRIVER	SPRAGUE / EXAR	ULN2002A / XR2202CP	1
M13	NOT USED				-
M14	NOT USED				-
M15	260039	321 QUAD OP AMP	NATIONAL	LM324N	1
M16	280023	QUAD 2 I/P NOR	MOTOROLA	MC14001UBCP	1
M17	280017	HEX INVERTER	MOTOROLA	MC14069UBCP	1
M18	NOT USED				-
M19	280045	TRIPLE 3 I/P NOR	MOTOROLA	MC14025 BCP	-
M20	260042	5532 DUAL OP AMP	SIGNETICS	NE5532N	1

NOTES

SEE SHEET 2 FOR LATEST ISSUE

REV																				
ECN																				
DATE																				
CHKD																				

DATE	7.5.85	datron ELECTRONICS LTD
DRAWN	L	
CHECKED		I/Ω PCB ASSEMBLY
APPROVED		DRAWING NUMBER 400614
DATE		SHEET 11 OF 15

DESIGNATOR	DATRON PART No.	DESCRIPTION	PRINCIPAL MANUFACTURER	MANUFACTURER'S PART No.	No. USED Per Assy.
RL1	330042-2	RELAY 3P N/O 1P N/C		SEE DRG	1
RL2	330012-3	RELAY REED 1A GUARDED	HAMLIN	HE721A5134	4
RL3	330012-3	RELAY REED 1A GUARDED	HAMLIN	HE721A5134	-
RL4	330012-3	RELAY REED 1A GUARDED	HAMLIN	HE721A5134	-
RL5	330012-3	RELAY REED 1A GUARDED	HAMLIN	HE721A5134	-
RL6		NOT USED			-
RL7	330039	RELAY 4POLE N/O	SDS	S4-L-6V	12
RL8	330029	RELAY 2P2W	SDS	DS2E-M-DC24V	2
RL9	330029	RELAY 2P2W	SDS	DS2E-M-DC24V	-
RL10	330039	RELAY 4P N/O	SDS	S4-L-6V	-
RL11	330039	RELAY 4P N/O	SDS	S4-L-6V	-
RL12	330039	RELAY 4P N/O	SDS	S4-L-6V	-
RL13	330039	RELAY 4P N/O	SDS	S4-L-6V	-
RL14	330039	RELAY 4P N/O	SDS	S4-L-6V	-
RL15		NOT USED			-
RL16	330039	RELAY 4P N/O	SDS	S4-L-6V	-
RL17	330039	RELAY 4P N/O	SDS	S4-L-6V	-
RL18	330039	RELAY 4P N/O	SDS	S4-L-6V	-
RL19,20,23	330039	RELAY 4P N/O	SDS	S4-L-6V	-
RL24,25	330030	RELAY 4P N/O	SDS	S4-24V	2
RL26	330040	RELAY 1P 2W	SDS	DS1E-SL-6V	1

NOTES

SEE SHEET 2 FOR LATEST ISSUE

REV																				
ECN																				
DATE																				
CHKD																				

DATE	7.5.85	datron ELECTRONICS LTD
DRAWN	L	
CHECKED		I/Ω PCB ASSEMBLY
APPROVED		DRAWING NUMBER 400614
DATE		SHEET 12 OF 15

DESIGNATOR	DATRON PART No	DESCRIPTION	PRINCIPAL MANUFACTURER	MANUFACTURER'S PART No	
L1	370001	10 $\mu$ H 0.85 $\Omega$ RF CHOKE	PLESSEY	58/10/0011/10	2
L2	370001	10 $\mu$ H 0.85 $\Omega$ RF CHOKE	PLESSEY	58/10/0011/10	-
	400669-1	I/ $\Omega$ CLAMP ASSY	DATRON		1
	410347-1	I/ $\Omega$ PRINTED CIRCUIT BOARD			1
	450419-2	CURRENT HEATSINK			1
	512000	7/0.2 PTFE WIRE BLACK			A/R
	512222	7/0.2 PTFE WIRE RED			A/R
	512333	7/0.2 PTFE WIRE ORANGE			A/R
	512444	7/0.2 PTFE WIRE YELLOW			A/R
	512555	7/0.2 PTFE WIRE GREEN			A/R
	512666	7/0.2 PTFE WIRE BLUE			A/R
	512888	7/0.2 PTFE WIRE GREY			A/R
	540002	22SWG TINNED COPPER WIRE.			A/R
	512999	7/0.2 WHITE PTFE INSULATED WIRE			A/R
	540006	1/0.4 BLK. PTFE INST WIRE		TO 850210 TYPEA	A/R
	560008	4 CORE PTFE SCREENED 19/0.15 CABLE		SEE DRG.	370mm
	590001	SLEEVE $\phi$ 3 MAX CABLE	HELLERMANN ELECTRIC	H15 x 20mm BLK	12
	590029	HEATSHRINK SLEEVE POLYOLEFIN $\phi$ 3	HELLERMANN ELECTRIC	SFM9-3BK	20mm
	590076	SOLDER SLEEVE $\phi$ 7.3	RAYFAST	CWT-7	1
	590007	LACING CORD			A/R

NOTES.

SEE SHEET 2 FOR LATEST ISSUE

ISS									
E.C.D									
DATE									
CHKD									

DATE	7.5.85	datron ELECTRONICS LTD	
DRAWN	[Signature]	TITLE	4700
CHECKED		I/ $\Omega$ PCB ASSEMBLY	
APPROVED		DRAWING NUMBER	400614
DATE		SHEET	13 OF 15

DESIGNATOR	DATRON PART No	DESCRIPTION	PRINCIPAL MANUFACTURER	MANUFACTURER'S PART No	No USED For Assy
J1	604033	4WAY .1" PCB PLUG GD.PL.	MOLEX	22-29-2041	2
	602001	FSV TERMINAL	MOLEX	0204-5114	16
	605059	8WAY DIL SOCKET			3
	605060	14WAY DIL SOCKET			7
	605061	16WAY DIL SOCKET			3
	605052	8WAY .1" HOUSING	MOLEX	22-01-2085	1
	611008	M3X10mm POZI-CSK STEEL	ZN PL		2
	611004	M3X6mm POZI-PAN STEEL	ZN PL		3
	611015	M3X8mm POZI-CSK STEEL	ZN PL		2
	605057	CRIMP TERMINAL GD.PL.	MOLEX	4809-GL	8
	605070	20WAY DIL SOCKET			2
	613029	M3 WAVY WASHER SS			5
	613017	M3 FLAT WASHER NYLON			34
	615002	M3 FULL NUT STEEL ZN.PL.			4
*	618001	INSULATING BUSH TO 220	MULLARD	56359C	2
	620001	CLOVERLEAF PTFE INSUL.	SEAELECTRO	FTE12P59	16
	620003	SOLDER PIN	HARWIN	H 2105 A01	9
	620005	CLOVERLEAF PTFE INSUL.	SEAELECTRO	FTE15P59	20
	620007	TEST POINT TERMINAL	MICROYAR	TYPE C30	11
**	620005	CLOVERLEAF PTFE INSU	SEAELECTRO	FTE15P59	1

NOTES: \* INSULATING BUSH REQUIRED ONLY WHEN VISHAY RESISTOR ALTERNATIVE USED. (R79)  
 \*\* CLOVERLEAF REQUIRED ONLY WHEN R71 'A' AND 'B' ALTERNATIVE USED

ISS									
E.C.D									
DATE									
CHKD									

DATE	7.5.85	datron ELECTRONICS LTD	
DRAWN	[Signature]	TITLE	4700
CHECKED		I/ $\Omega$ PCB ASSEMBLY	
APPROVED		DRAWING NUMBER	400614
DATE		SHEET	14 OF 15

DESIGNATOR	DATRON PART No.	DESCRIPTION	PRINCIPAL MANUFACTURER	MANUFACTURER'S PART No.	No. USED Per Assy.
	630003	P CLIP $\phi$ 4.8 mm	SES	CNS	2
	630024	STEATITE BEAD 16 SWG	PARK ROYAL PORCELAIN	Nº2	14
	630036	STEATITE BEAD 18 SWG	PARK ROYAL PORCELAIN	Nº1	16
	630122	PCB EJECTOR BLUE	RICHCO	CBE	2
	630167	FOAM TAPE 6mmT x 9mm W	TESA	TESAMOLL 761/4763	A/R
	630243	GLASS BEAD 2.4% x 0.8' x 1.8	MANSOL (PREFORMS)	M5363B/3	32
	900003	HEAT SINK COMPOUND	RS	554-311	A/R
F1		NOT USED			
F2	920124	FUSE 375mA 125V 7mm	LITTLE FUSE	275-375	2
F3	920120	FUSE 1A 125V 7mm	LITTLE FUSE	275 001	1
F4	920124	FUSE 375mA 125V 7mm	LITTLE FUSE	275-375	-
F5	920125	FUSE 2 1/2 A 125V 7mm	LITTLE FUSE	275 02.5	1
	613005	M3 SHAKEPROOF WASHER	STEEL		2

NOTES.

SEE SHEET 2 FOR LATEST ISSUE

ISS																				
ECD																				
DATE																				
CHKD																				

DATE	7.5.85	datron ELECTRONICS LTD	
DRAWN		TITLE	4700
CHECKED		I/Ω PCB ASSEMBLY	
APPROVED		DRAWING NUMBER	400614
DATE		SHEET 15 OF 15	

DRAWING No		CHKD	DATE	ECO	REVISION	ISSUE
400618						
CEWM						
		1.0	21.02.86	11.3.86	RKE	1.0
		2.0	12.11.86	11.4.86		2.0
		2.1	21.7.86	21.4.86		
		2.2	23.05.86	17.8.86		2.1
		2.3	23.06.86	25.9.86		3.0
		3.0	23.9.86	25.9.86		3.1
		3.1	24.6.86	11.12.86		4.0
		4.0	26.03.86	14.6.87		4.1
		4.1	25.9.86	12.6.87		4.2
		4.2	26.42.86	15.8.87		4.3
		4.3	26.83.86	12.04.87		
		4.3	27.3.86	18.1.88		
		4.3	27.15.86	16.5.87		
		4.4	29.60.86	19.07.88		4.4
		4.5	29.55.86	20.07.88		4.5
		4.6	30.88.86	13.10.88		4.6
		5.0	32.15.86	11.01.89		5.0
		5.1	32.73.86	16.04.89		5.1

DESCRIPTION	DRAWING NUMBER	SHEET NUMBER	ISSUE	REVISION
COMPONENT LAYOUT	480618	1	1.0	2.0
L.P.	400618	ALL		
SCHEMATIC	430618	1	1.0	2.0
SCHEMATIC	430618	2	1.0	2.0
SCHEMATIC	430618	3	1.0	2.0
SCHEMATIC	430618	4	1.0	2.0
SCHEMATIC	430618	5	1.0	2.0
SCHEMATIC	430618	6	1.0	2.0
FUNCTIONAL TEST PROC	460618/FT	ALL	1.0	2.0
FUNC. TEST TICK LIST	470618/FT	ALL	1.0	2.0
PCB	410339		1.0	2.0

NOTES	<input type="checkbox"/> DENOTES NO CHANGE TO DOC AT ISSUE LEVEL CHANGE.	<b>datron</b> ELECTRONICS LTD NORWICH ENGLAND	DRN 11 DATE 11.3.86	CHKD R.M. COGGAN DATE 17/3/86	APPR [Signature] DATE 18.3.86	TITLE 4700 PA PCB ASSY	DRAWING No. 400618 SHEET 1 OF 24
-------	--	---	------------------------------	--	--	------------------------------	--

DESIGNATOR	DATRON PART No.	DESCRIPTION	PRINCIPAL MANUFACTURER	MANUFACTURER'S PART No.	No USED Per Assy
R1	000222	2k2 5% 1/3W CARBON	MULLARD	CR25	3
R2	000272	2k7 5% 1/3W CARBON	MULLARD	CR25	2
R3	006105	1M 2% 1W MET-OX	ELECTROSIL	FPI	2
R4	006105	1M 2% 1W MET-OX	ELECTROSIL	FPI	-
R5	000152	1k5 5% 1/3W CARBON	MULLARD	CR25	1
R6	000330	33R 5% 1/3W CARBON	MULLARD	CR25	1
R7	013161	3k16 1% 1/8W 50ppm MF	HOLCO	H8C	2
R8	013161	3k16 1% 1/8W 50ppm MF	HOLCO	H8C	-
R9	007100	10R 2% 2W MET-OX	ELECTROSIL	FP2	2
R10	015620	562R 1% 1/8W 50ppm MF	HOLCO	H8C	3
R11	007393	39k 2% 2W MET-OX	ELECTROSIL	FP2	2
R12	007474	470k 2% 2W MET-OX	ELECTROSIL	FP2	1
R13	001561	560R 5% 1/2W CARBON	MULLARD	CR37	1
R14	000123	12k 5% 1/3W CARBON	MULLARD	CR25	3
R15	000222	2k2 5% 1/3W CARBON	MULLARD	CR25	-
R16	018251	8k25 1% 1/8W 50ppm MF	HOLCO	H8C	2
R17	018251	8k25 1% 1/8W 50ppm MF	HOLCO	H8C	-
R18	000272	2k7 5% 1/3W CARBON	MULLARD	CR25	-
R19	000101	100R 5% 1/3W CARBON	MULLARD	CR25	4
R20	000103	10k 5% 1/3W CARBON	MULLARD	CR25	15
R21	000101	100R 5% 1/3W CARBON	MULLARD	CR25	-
R22	000103	10k 5% 1/3W CARBON	MULLARD	CR25	-
R23	000103	10k 5% 1/3W CARBON	MULLARD	CR25	-

NOTES	SEE SHEET 1 FOR LATEST ISSUE	<b>datron</b> ELECTRONICS LTD	TITLE 4700 PA PCB ASSY
ISSUE	DATE	DRAWING NUMBER 400618	SHEET OF 2 OF 24

DESIGNATOR	DATRON PART No.	DESCRIPTION	PRINCIPAL MANUFACTURER	MANUFACTURER'S PART No.	No. USED Per Assy.
R24	070066	10k 0.1% 5ppm W/W	MANN	MX125B	3
R25	080041	750R 0.1% 50ppm MF	VISHAY	VSRC1	1
R26	070066	10k 0.1% 5ppm WW	MANN	MX125B	-
R27	000103	10k 5% 1/3W CARBON	MULLARD	CR25	-
R28	000103	10k 5% 1/3W CARBON	MULLARD	CR25	-
R29	070066	10k 0.1% 5ppm WW	MANN	MX125B	-
R30	070170	1k 0.1% 5ppm WW	MANN	MX125B	1
R31	000103	10k 5% 1/3W CARBON	MULLARD	CR25	-
R32	011542	15k4 1% 1/8W 50ppm MF	HOLCO	H8C	1
R33	013002	30k 1% 1/8W 50ppm MF	HOLCO	H8C	1
R34	007100	10R 2% 2W MET-OX	ELECTROSIL	FP2	-
R35	015620	562R 1% 1/8W 50ppm MF	HOLCO	H8C	-
R36	007393	39k 2% 2W MET-OX	ELECTROSIL	FP2	-
R37	014990	499R 1% 1/8W 50ppm MF	HOLCO	H8C	1
R38	000123	12k 5% 1/3W CARBON	MULLARD	CR25	-
R39	000103	10k 5% 1/3W CARBON	MULLARD	CR25	-
R40	000104	100k 5% 1/3W CARBON	MULLARD	CR25	16
R41		NOT USED			-
R42		NOT USED			-
R43		NOT USED			-
R44		NOT USED			-
R45		NOT USED			-
R46		NOT USED			-

NOTES

SEE SHEET 2 FOR LATEST ISSUE

ISS											
ECU											
DATE											
CHKD											

DATE	
DRAWN	
CHECKED	
APPROVED	
DATE	

datron ELECTRONICS LTD	
TITLE	
4700 PA PCB ASSY	
DRAWING NUMBER	400618
SHEET	3
OF	24

DESIGNATOR	DATRON PART No.	DESCRIPTION	PRINCIPAL MANUFACTURER	MANUFACTURER'S PART No.	No. USED Per Assy.
R47	000473	47k 5% 1/3W CARBON	MULLARD	CR25	3
R48	000473	47k 5% 1/3W CARBON	MULLARD	CR25	-
R49	008051	43k 5% 3W W.W.	WELWYN	W23	1
R50	000824	820k 5% 1/3W CARBON	MULLARD	CR25	2
R51	006204	200k 2% 1W MET-OX	ELECTROSIL	FP1	1
R52	011000	100R 1% 1/8W 50ppm MF	HOLCO	H8C	1
R53	016198	619R 1% 1/8W 50ppm MF	HOLCO	H8C	1
R54	000331	330R 5% 1/3W CARBON	MULLARD	CR25	1
R55	000102	1k 5% 1/3W CARBON	MULLARD	CR25	6
R56	012000	200R 1% 1/8W 50ppm MF	HOLCO	H8C	1
R57	000470	47R 5% 1/3W CARBON	MULLARD	CR25	3
R58	015620	562R 1% 1/8W 50ppm MF	HOLCO	H8C	-
R59		NOT USED			-
R60	000473	47k 5% 1/3W CARBON	MULLARD	CR25	-
R61	000824	820k 5% 1/3W CARBON	MULLARD	CR25	-
R62		NOT USED			-
R63	011002	10k 1% 1/8W 50ppm MF	HOLCO	H8C	4
R64	011002	10k 1% 1/8W 50ppm MF	HOLCO	H8C	-
R65	008058	22k 5% 12W W.W.	WELWYN	W24	1
R66	015111	5k11 1% 1/8W 50ppm MF	HOLCO	H8C	1
R67	011002	10k 1% 1/8W 50ppm MF	HOLCO	H8C	-
R68	011002	10k 1% 1/8W 50ppm MF	HOLCO	H8C	-
R69	000223	22k 5% 1/3W CARBON	MULLARD	CR25	1

NOTES

SEE SHEET 2 FOR LATEST ISSUE

ISS											
ECU											
DATE											
CHKD											

DATE	
DRAWN	
CHECKED	
APPROVED	
DATE	

datron ELECTRONICS LTD	
TITLE	
4700 PA. PCB ASSY	
DRAWING NUMBER	400618
SHEET	4
OF	24

DESIGNATOR	DATRON PART No	DESCRIPTION	PRINCIPAL MANUFACTURER	MANUFACTURER'S PART No	No. USED Per Assy
R70	000104	100k 5% 1/3W CARBON	MULLARD	CR25	-
R71	011001	1k 1% 1/8W 50ppm MF	HOLCO	H8C	2
R72	015110	511R 1% 1/8W 50ppm MF	HOLCO	H8C	2
R73	000103	10k 5% 1/3W CARBON	MULLARD	CR25	-
R74	011001	1k 1% 1/8W 50ppm MF	HOLCO	H8C	-
R75		NOT USED			-
R76	000103	10k 5% 1/3W CARBON	MULLARD	CR25	-
R77	066502	5K POT 3/8sq VERT CERMET	BECKMAN	72XW	1
R78	000621	620R 5% 1/3W CARBON	MULLARD	CR25	1
R79	000104	100k 5% 1/3W CARBON	MULLARD	CR25	-
R80	000105	1M 5% 1/3W CARBON	MULLARD	CR25	6
R81	000222	2k2 5% 1/3W CARBON	MULLARD	CR25	-
R82	000102	1k 5% 1/3W CARBON	MULLARD	CR25	-
R83	000472	4k7 5% 1/3W CARBON	MULLARD	CR25	3
R84	001182	1k8 5% 1/2W CARBON	MULLARD	CR37	3
R85	000104	100k 5% 1/3W CARBON	MULLARD	CR25	-
R86	000226	22M 5% 1/3W CARBON	MULLARD	CR25	2
R87	000226	22M 5% 1/3W CARBON	MULLARD	CR25	-
R88	005204	200k 2% 1/2W CARBON	ELECTROSIL	TR5	2
R89	000100	10R 5% 1/3W CARBON	MULLARD	CR25	3
R90	001182	1k8 5% 1/2W CARBON	MULLARD	CR37	-
R91	000104	100k 5% 1/3W CARBON	MULLARD	CR25	-
R92	000103	10k 5% 1/3W CARBON	MULLARD	CR25	-

NOTES

SEE SHEET 2 FOR LATEST ISSUE

ISS																				
ECO																				
DATE																				
CHKD																				

DATE		<b>datron</b> ELECTRONICS LTD
DRAWN		
CHECKED		
APPROVED		
DATE		FILE
		4700 PA PCB ASSY
		DRAWING NUMBER
		400618
		SHEET OF
		5 24

DESIGNATOR	DATRON PART No	DESCRIPTION	PRINCIPAL MANUFACTURER	MANUFACTURER'S PART No	No. USED Per Assy
R93	016190	619R 1% 1/8W 50ppm MF	HOLCO	H8C	3
R94	013320	332R 1% 1/8W 50ppm MF	HOLCO	H8C	1
R95	012800	280R 1% 1/8W 50ppm MF	HOLCO	H8C	1
R96	019090	909R 1% 1/8W 50ppm MF	HOLCO	H8C	1
R97	012211	2k21 1% 1/8W 50ppm MF	HOLCO	H8C	1
R98	014421	4k42 1% 1/8W 50ppm MF	HOLCO	H8C	1
R99	000104	100k 5% 1/3W CARBON	MULLARD	CR25	-
R100	000105	1M 5% 1/3W CARBON	MULLARD	CR25	-
R101	000474	470k 5% 1/3W CARBON	MULLARD	CR25	1
R102	000104	100k 5% 1/3W CARBON	MULLARD	CR25	-
R103	000104	100k 5% 1/3W CARBON	MULLARD	CR25	-
R104	000102	1k 5% 1/3W CARBON	MULLARD	CR25	-
R105	000103	10k 5% 1/3W CARBON	MULLARD	CR25	-
R106	000103	10k 5% 1/3W CARBON	MULLARD	CR25	-
R107	000103	10k 5% 1/3W CARBON	MULLARD	CR25	-
R108	000472	4k7 5% 1/3W CARBON	MULLARD	CR25	-
R109	000104	100k 5% 1/3W CARBON	MULLARD	CR25	-
R110	000393	39k 5% 1/3W CARBON	MULLARD	CR25	1
R111	000472	4k7 5% 1/3W CARBON	MULLARD	CR25	-
R112	000104	100k 5% 1/3W CARBON	MULLARD	CR25	-
R113	000103	10k 5% 1/3W CARBON	MULLARD	CR25	-
R114	001278	2R7 5% 1/2W CARBON	MULLARD	CR37	1
R115	011302	13k 1% 1/8W 50ppm MF	HOLCO	H8C	2

NOTES

SEE SHEET 2 FOR LATEST ISSUE

ISS																				
ECO																				
DATE																				
CHKD																				

DATE		<b>datron</b> ELECTRONICS LTD
DRAWN		
CHECKED		
APPROVED		
DATE		FILE
		4700 PA PCB ASSY
		DRAWING NUMBER
		400618
		SHEET OF
		6 24

DESIGNATOR	DATRON PART No	DESCRIPTION	PRINCIPAL MANUFACTURER	MANUFACTURER'S PART No	No USED Per Assy
R116	011101	1k1 1% 1/8W 50ppm MF	HOLCO	H8C	2
R117	011302	13k0 1% 1/8W 50ppm MF	HOLCO	H8C	-
R118	011101	1k1 1% 1/8W 50ppm MF	HOLCO	H8C	-
R119	000332	3k3 5% 1/3W CARBON	MULLARD	CR25	2
R120	000153	15k 5% 1/3W CARBON	MULLARD	CR25	1
R121	000104	100k 5% 1/3W CARBON	MULLARD	CR25	-
R122	012002	20k0 1% 1/8W 50ppm MF	HOLCO	H8C	1
R123	012001	2k0 1% 1/8W 50ppm MF	HOLCO	H8C	2
R124	015110	511R 1% 1/8W 50ppm MF	HOLCO	H8C	-
R125	016190	619R 1% 1/8W 50ppm MF	HOLCO	H8C	-
R126	016190	619R 1% 1/8W 50ppm MF	HOLCO	H8C	-
R127	000104	100k 5% 1/3W CARBON	MULLARD	CR25	-
R128	000104	100k 5% 1/3W CARBON	MULLARD	CR25	-
R129	000102	1k 5% 1/3W CARBON	MULLARD	CR25	-
R130	000270	27R 5% 1/3W CARBON	MULLARD	CR25	2
R131	000220	22R 5% 1/3W CARBON	MULLARD	CR25	2
R132	000470	47R 5% 1/3W CARBON	MULLARD	CR25	-
R133	000271	270R 5% 1/3W CARBON	MULLARD	CR25	2
R134	000271	270R 5% 1/3W CARBON	MULLARD	CR25	-
R135	000470	47R 5% 1/3W CARBON	MULLARD	CR25	-
R136	000220	22R 5% 1/3W CARBON	MULLARD	CR25	-
R137	000270	27R 5% 1/3W CARBON	MULLARD	CR25	-
R138	007184	180k 2% 2W MET-OX	ELECTROSIL	FP2	2

NOTES

SEE SHEET 2 FOR LATEST ISSUE

ISS	
E.C.O	
DATE	
CHKD	

DATE		DRAWN		TITLE	
				4700 PA. PCB ASSY	
				DRAWING NUMBER 400618	
				SHEET 7 OF 24	

datron ELECTRONICS LTD

DESIGNATOR	DATRON PART No	DESCRIPTION	PRINCIPAL MANUFACTURER	MANUFACTURER'S PART No	No USED Per Assy
R139	000130	18R 5% 1/3W CARBON	MULLARD	CR25	2
R140	000221	220R 5% 1/3W CARBON	MULLARD	CR25	2
R141	000108	1R 5% 1/3W CARBON	MULLARD	CR25	2
R142	000101	100R 5% 1/3W CARBON	MULLARD	CR25	-
R143	000100	10R 5% 1/3W CARBON	MULLARD	CR25	-
R144	000333	3R3 5% 1/3W CARBON	MULLARD	CR25	1
R145	000100	10R 5% 1/3W CARBON	MULLARD	CR25	-
R146	000101	100R 5% 1/3W CARBON	MULLARD	CR25	-
R147	000108	1R 5% 1/3W CARBON	MULLARD	CR25	-
R148	000221	220R 5% 1/3W CARBON	MULLARD	CR25	-
R149	000130	18R 5% 1/3W CARBON	MULLARD	CR25	-
R150	001132	1k8 5% 1/2W CARBON	MULLARD	CR37	-
R151	008005	1R 5% 2 1/2W W.W.	WELWYN	W21	1
R152	000183	18k 5% 1/3W CARBON	MULLARD	CR25	2
R153	000561	560R 5% 1/3W CARBON	MULLARD	CR25	1
R154	000183	18k 5% 1/3W CARBON	MULLARD	CR25	-
R155	007184	180k 2% 2W MET-OX	ELECTROSIL	FP2	-
R156	018250	825R 1% 1/3W 50ppm MF	HOLCO	H8C	1
R157	016811	6k81 1% 1/8W 50ppm MF	HOLCO	H8C	2
R158	000104	100k 5% 1/3W CARBON	MULLARD	CR25	-
R159	012001	2k0 1% 1/8W 50ppm MF	HOLCO	H8C	-
R160	000332	3k3 5% 1/3W CARBON	MULLARD	CR25	-
R161	016811	6k81 1% 1/8W 50ppm MF	HOLCO	H8C	-

NOTES

SEE SHEET 2 FOR LATEST ISSUE

ISS	
E.C.O	
DATE	
CHKD	

DATE		DRAWN		TITLE	
				4700 PA. PCB ASSY	
				DRAWING NUMBER 400618	
				SHEET 8 OF 24	

datron ELECTRONICS LTD

DESIGNATOR	DATRON PART No	DESCRIPTION	PRINCIPAL MANUFACTURER	MANUFACTURER'S PART No	No. USED Per Assy
R162	000102	1k 5% 1/3W CARBON	MULLARD	CR25	-
R163		NOT USED			-
R164		NOT USED			-
R165	017500	750R 1% 1/8W 50ppm MF	HOLCO	H8C	1
R166	000150	15R 5% 1/3W CARBON	MULLARD	CR25	2
R167	000150	15R 5% 1/3W CARBON	MULLARD	CR25	-
R168	000182	1k8 5% 1/3W CARBON	MULLARD	CR25	1
R169	000102	1K 5% 1/3W CARBON	MULLARD	CR25	-
R170	000103	10K 5% 1/3W CARBON	MULLARD	CR25	-
R171	011621	1k62 1% 1/8W 50ppm MF	HOLCO	H8C	1
R172	000518	5R1 5% 1/3W CARBON	MULLARD	CR25	2
R173	000518	5R1 5% 1/3W CARBON	MULLARD	CR25	-
R174	000228	2R2 5% 1/3W CARBON	MULLARD	CR25	1
R175	000104	100k 5% 1/2W CARBON	MULLARD	CR25	-
R176	005204	200k 2% 1/2W CARBON	ELECTROSIL	TR5	-
R177	000105	1M 5% 1/3W CARBON	MULLARD	CR25	-
R178	000105	1M 5% 1/3W CARBON	MULLARD	CR25	-
R179		NOT USED			-
R180	011741	1k74 1% 1/8W 50ppm MF	HOLCO	H8C	1
R181	012492	24k9 1% 1/8W 50ppm MF	HOLCO	H8C	1
R182	000104	100k 5% 1/3W CARBON	MULLARD	CR25	-
R183	000123	12k 5% 1/3W CARBON	MULLARD	CR25	-
R184		NOT USED			-

NOTES

SEE SHEET 2 FOR LATEST ISSUE

DATE		datron ELECTRONICS LTD	
DRAWN		TITLE 4700 P.A. PCB. ASSY	
CHECKED		DRAWING NUMBER	400618
APPROVED		SHEET 9 OF 24	
DATE			

DESIGNATOR	DATRON PART No	DESCRIPTION	PRINCIPAL MANUFACTURER	MANUFACTURER'S PART No	No. USED Per Assy
R185	000105	1M 5% 1/4W CARBON	MULLARD	CR25	-
R186	000105	1M 5% 1/4W CARBON	MULLARD	CR25	-
AN1	090132	4k7 x4 2% SIL NETWORK	BECKMAN	L08-3-R4k7	1
AN2	090095	47k x4 2% SIL NETWORK	BECKMAN	L08-3-R47k	1
AN3		NOT USED			-
AN4	090096	1M x8 2% NETWORK	BECKMAN	L09-1-RIM	2
AN5	090096	1M x8 2% NETWORK	BECKMAN	L09-1-RIM	-
AN6		NOT USED			-
AN7		NOT USED			-
AN8	090090	47k x8 2% NETWORK	AB	761-3-47k	1
AN9	090144	1k x8 1% DIL NETWORK	BECKMAN	698-3-RIKF	1

NOTES

SEE SHEET 2 FOR LATEST ISSUE

DATE		datron ELECTRONICS LTD	
DRAWN		TITLE 4700 P.A. PCB. ASSY	
CHECKED		DRAWING NUMBER	400618
APPROVED		SHEET 10 OF 24	
DATE			



DESIGNATOR	DATRON PART No.	DESCRIPTION	PRINCIPAL MANUFACTURER	MANUFACTURER'S PART No.	No. USED Per Assy
C1	150023	33μF 20% 25V DIP TANT	UNION CARBIDE	K33E25	1
C2	104018	1nF 20% 1KV CER DISC	ITT	HDI0K101NOMS-SSIK0DSC	2
C3	150006	4μF 20% 16V DIP TANT	UNION CARBIDE	K4R7E16	4
C4	110042	100nF 20% 63V POLYESTER	WIMA	MKS2	6
C5	150012	100nF 20% 35V DIP TANT	UNION CARBIDE	KR10E35	4
C6	150012	100nF 20% 35V DIP TANT	UNION CARBIDE	KR10E35	-
C7	104018	1nF 20% 1KV CER DISC	ITT	HDI0K101NOMS-SSIK0DSC	-
C8	104026	47nF <sup>+50%</sup> / <sub>-20%</sub> 50V CER DISC	SIEMENS	B37449	13
C9	104026	47nF <sup>+50%</sup> / <sub>-20%</sub> 50V CER DISC	SIEMENS	B37449	-
C10	150020	10μF 20% 25V DIP TANT	UNION CARBIDE	K10E25	5
C11	150020	10μF 20% 25V DIP TANT	UNION CARBIDE	K10E25	-
C12	104021	15pF 20% 1KV NPO CD	ITT	HDI0CG15POMS-SSIK0DSC	1
C13	104026	47nF <sup>+50%</sup> / <sub>-20%</sub> 50V CER DISC	SIEMENS	B37449	-
C14	104026	47nF <sup>+50%</sup> / <sub>-20%</sub> 50V CER DISC	SIEMENS	B37449	-
C15	110035	220nF 20% 63V POLYESTER	WIMA	MKS2	2
C16	150012	100nF 20% 35V DIP TANT	UNION CARBIDE	KR10E35	-
C17	102222	2n2F 10% 500V CER DISC	ITT	CD10	1
C18	102100	10pF 5% 500V CER DISC	ITT	CD10	2
C19	104026	47nF <sup>+50%</sup> / <sub>-20%</sub> 50V CER DISC	SIEMENS	B37449	-
C20	110015	15nF 20% 63V POLYESTER	WIMA	MKS2	3
C21	104026	47nF <sup>+50%</sup> / <sub>-20%</sub> 50V CER DISC	SIEMENS	B37449	-
C22	110044	680nF 20% 630V POLYESTER	WIMA	MKS4	2
C23	102221	220pF 10% 500V CER DISC	ITT	CD10	3

NOTES				DATE		<b>datron</b> ELECTRONICS LTD <b>4700 PA. PCB. ASSY.</b> DRAWING NUMBER: <b>400618</b> SHEET <b>11</b> OF <b>24</b>
SEE SHEET 2 FOR LATEST ISSUE				DRAWN		
ISS				CHECKED		
E.C.O.				APPROVED		
DATE				DATE		
CHKD						

DESIGNATOR	DATRON PART No.	DESCRIPTION	PRINCIPAL MANUFACTURER	MANUFACTURER'S PART No.	No. USED Per Assy
C24	102221	220pF 10% 500V CER DISC	ITT	CD10	-
C25	110041	10nF 20% 100V POLYESTER	WIMA	FKS2	3
C26	180041	100μF 40V AL ELECT	STEATITE	EKM 00FD 310G	1
C27	104026	47nF <sup>+50%</sup> / <sub>-20%</sub> 50V CER DISC	SIEMENS	B37449	-
C28	104026	47nF <sup>+50%</sup> / <sub>-20%</sub> 50V CER DISC	SIEMENS	B37449	-
C29	150006	4μF 20% 16V DIP TANT	UNION CARBIDE	K4R7E16	-
C30	102471	470pF 10% 500V CER DISC	ITT	CD10	2
C31	110044	680nF 20% 630V POLYESTER	WIMA	MKS4	-
C32	104026	47nF <sup>+50%</sup> / <sub>-20%</sub> 50V CER DISC	SIEMENS	B37449	-
C33	100182	1n8F 2% 100V CER DISC	MULLARD	2222 683	1
C34	110015	15nF 20% 63V POLYESTER	WIMA	MKS2	-
C35	110042	100nF 20% 63V POLYESTER	WIMA	MKS2	-
C36	150020	10μF 20% 25V DIP TANT	UNION CARBIDE	K10E25	-
C37	150020	10μF 20% 25V DIP TANT	UNION CARBIDE	K10E35	-
C38	110035	220nF 20% 63V POLYESTER	WIMA	MKS2	-
C39	150022	2μ2F 20% 35V DIP TANT	UNION CARBIDE	K2R2E35	5
C40	102338	3p3F ±.5pF 500V CER DISC	ITT	CD08	1
C41	150022	2μ2F 20% 35V DIP TANT	UNION CARBIDE	K2R2E35	-
C42	104026	47nF <sup>+50%</sup> / <sub>-20%</sub> 50V CER DISC	SIEMENS	B37449	-
C43	104026	47nF <sup>+50%</sup> / <sub>-20%</sub> 50V CER DISC	SIEMENS	B37449	-
C44	110015	15nF 20% 63V POLYESTER	WIMA	MKS2	-
C45	101103	10nF 25% 250V CER DISC	ITT	CD10	4
C46	101103	10nF 25% 250V CER DISC	ITT	CD10	-

NOTES				DATE		<b>datron</b> ELECTRONICS LTD <b>4700 PA. PCB. ASSY.</b> DRAWING NUMBER: <b>400618</b> SHEET <b>12</b> OF <b>24</b>
SEE SHEET 2 FOR LATEST ISSUE				DRAWN		
ISS				CHECKED		
E.C.O.				APPROVED		
DATE				DATE		
CHKD						

DESIGNATOR	DATRON PART No.	DESCRIPTION	PRINCIPAL MANUFACTURER	MANUFACTURER'S PART No.	No. USED Per Assy
C47	110042	100nF 20% 63V POLYESTER	WIMA	MKS2	-
C48	102221	220pF 10% 500V CER DISC	ITT	CD10	-
C49	180051	22µF 20% 350V AL. ELECT	ECC	SMVB	2
C50	100101	100pF 2% 100V CER DISC	MULLARD	2222 683	2
C51	180045	47µF 63V AL. ELECT.	MULLARD	031-38479	2
C52	110042	100nF 20% 63V POLYESTER	WIMA	MKS2	-
C53	100338	3p3F ±.25pF 100V CER DISC	MULLARD	2222 683	1
C54	180045	47µF 63V AL. ELECT.	MULLARD	031-38479	-
C55	102228	2p2F ±.5pF 500V CER DISC	ITT	CDO8	1
C56	110042	100nF 20% 63V POLYESTER	WIMA	MKS2	-
C57	100101	100pF 2% 100V CER DISC	MULLARD	2222-683	-
C58	100332	3n3F 2% 100V CER DISC	MULLARD	2222-63019	1
C59	180051	22µF 20% 350V AL. ELECT	ECC	SMVB	-
C60	104026	47nF ±20% 50V CER DISC	SIEMENS	B37449	-
C61	150022	2µ2F 20% 35V DIP TANT	UNION CARBIDE	K2R2E35	-
C62	150022	2µ2F 20% 35V DIP TANT	UNION CARBIDE	K2R2E35	-
C63	101103	10nF 25% 250V CER DISC	ITT	CD10	-
C64	101103	10nF 25% 250V CER DISC	ITT	CD10	-
C65	110046	1µF 20% 50V POLYESTER	WIMA	MKS2	1
C66	150012	100nF 20% 35V DIP TANT	UNION CARBIDE	KR10E35	-
C67	100102	1nF 2% 100V CER DISC	MULLARD	2222 63019	3
C68	110026	6n8F 20% 100V POLYESTER	WIMA	FKS2	1
C69	150008	470nF 20% 35V DIP TANT	UNION CARBIDE	KR47E35	1

NOTES										DATE		datron ELECTRONICS LTD	
SEE SHEET 2 FOR LATEST ISSUE										DRAWN		TITLE	
ISS										4700 PA. PCB. ASSY			
ECG													
DATE													
CHKD										APPROVED	DRAWING NUMBER		SHEET
											400618		13 of 24

DESIGNATOR	DATRON PART No.	DESCRIPTION	PRINCIPAL MANUFACTURER	MANUFACTURER'S PART No.	No. USED Per Assy
C70	150006	4µ7F 20% 16V DIPTANT	UNION CARBIDE	K4R7E16	-
C71	110041	10nF 20% 100V POLYESTER	WIMA	FKS2	-
C72	102100	10pF 5% 500V CER DISC	ITT	CD10	-
C73	102102	1nF 10% 500V CER DISC	ITT	CD10	1
C74	110042	100nF 20% 63V POLYESTER	WIMA	MKS2	-
C75	150016	1µF 20% 35V DIP TANT	UNION CARBIDE	K10E35	6
C76	150016	1µF 20% 35V DIP TANT	UNION CARBIDE	K10E35	-
C77	150016	1µF 20% 35V DIP TANT	UNION CARBIDE	K10E35	-
C78	150016	1µF 20% 35V DIP TANT	UNION CARBIDE	K10E35	-
C79	150006	4µ7F 20% 16V DIP TANT	UNION CARBIDE	K4R7E16	-
C80	150020	10µF 20% 25V DIP TANT	UNION CARBIDE	K10E25	-
C81	110041	10nF 20% 100V POLYESTER	WIMA	FKS2	-
C82		NOT USED			-
C83	100102	1nF 2% 100V CER DISC	MULLARD	2222 63019	-
C84	100102	1nF 2% 100V CER DISC	MULLARD	2222 63019	-
C85	104026	47nF ±20% 50V CER DISC	SIEMENS	B37449	-
C86	110020	47nF 20% 63V POLYESTER	WIMA	MKS2	1
C87	150022	2µ2F 20% 35V DIP TANT	UNION CARBIDE	K2R2E35	-
C88	102471	470pF 5% 500V CER DISC	ITT	CD10	-
C89	150016	1µF 20% 35V DIP TANT	UNION CARBIDE	K10E35	-
C90	150016	1µF 20% 35V DIP TANT	UNION CARBIDE	K10E35	-

NOTES										DATE		datron ELECTRONICS LTD	
SEE SHEET 2 FOR LATEST ISSUE										DRAWN		TITLE	
ISS										4700 PA PCB ASSY			
ECG													
DATE													
CHKD										APPROVED	DRAWING NUMBER		SHEET
											400618		14 of 24

DESIGNATOR	DATRAN PART No.	DESCRIPTION	PRINCIPAL MANUFACTURER	MANUFACTURER'S PART No.	Qty. USED Per Assy.
D1	210100	10V 400mW ZENER	MULLARD	BZY88C10	7
D2	210047	4V7 400mW ZENER	MULLARD	BZY88C4V7	1
D3	200001	75mA 75V GP SI DIODE	FAIRCHILD	IN4148	26
D4	200006	1A 600V GP SI DIODE	FAIRCHILD	IN4005	7
D5	200001	75mA 75V GP SI DIODE	FAIRCHILD	IN4148	-
D6	200001	75mA 75V GP SI DIODE	FAIRCHILD	IN4148	-
D7	210160	16V 400mW ZENER	MULLARD	BZY88C16	2
D8	200001	75mA 75V GP SI DIODE	FAIRCHILD	IN4148	-
D9	214012	2V45 30ppm ZENER	FERRANTI	ZN458	4
D10					-
D11	220008	L.E.D RED	PYE-TMC	521-9165	2
D12	210100	10V 400mW ZENER	MULLARD	BZY88C10	-
D13	200001	75mA 75V GP SI DIODE	FAIRCHILD	IN4148	-
D14	210160	16V 400mW ZENER	MULLARD	BZY88C16	-
D15	200001	75mA 75V GP SI DIODE	FAIRCHILD	IN4148	-
D16	200001	75mA 75V GP SI DIODE	FAIRCHILD	IN4148	-
D17	214012	2V45 30ppm ZENER	FERRANTI	ZN458	-
D18	200001	75mA 75V GP SI DIODE	FAIRCHILD	IN4148	-
D19	200006	1A 600V GP SI DIODE	FAIRCHILD	IN4005	-
D20	200001	75mA 75V GP SI DIODE	FAIRCHILD	IN4148	-
D21		NOT USED.			-
D22	200001	75mA 75V GP SI DIODE	FAIRCHILD	IN4148	-
D23	200001	75mA 75V GP SI DIODE	FAIRCHILD	IN4148	-

NOTES

SEE SHEET 2 FOR LATEST ISSUE

ISS																			
E.C.D.																			
DATE																			
CHKD																			

DATE	DRAWN	CHECKED	APPROVED	DATE	DATE

**datron** ELECTRONICS LTD  
 4700 P.A. PCB. ASSY  
 DRAWING NUMBER 400618 15 SHEET OF 24

DESIGNATOR	DATRAN PART No.	DESCRIPTION	PRINCIPAL MANUFACTURER	MANUFACTURER'S PART No.	Qty. USED Per Assy.
D24	210150	15V 400mW ZENER	MULLARD	BZY88C15	1
D25	214012	2V45 30ppm ZENER	FERRANTI	ZN458	-
D26	200001	75mA 75V GP SI DIODE	FAIRCHILD	IN4148	-
D27	200006	1A 600V GP SI DIODE	FAIRCHILD	IN4005	-
D28	200001	75mA 75V GP SI DIODE	FAIRCHILD	IN4148	-
D29	214012	2V45 30ppm ZENER	FERRANTI	ZN458	-
D30	200001	75mA 75V GP SI DIODE	FAIRCHILD	IN4148	-
D31	200001	75mA 75V GP SI DIODE	FAIRCHILD	IN4148	-
D32	200006	1A 600V GP SI DIODE	FAIRCHILD	IN4005	-
D33	213009	15V 5W ZENER	UNITRODE	TVS515	1
D34	200001	75mA 75V GP SI DIODE	FAIRCHILD	IN4148	-
D35	200001	75mA 75V GP SI DIODE	FAIRCHILD	IN4148	-
D36	200001	75mA 75V GP SI DIODE	FAIRCHILD	IN4148	-
D37		NOT USED			-
D38		NOT USED			-
D39	210100	10V 400mW ZENER	MULLARD	BZY88C10	-
D40	210100	10V 400mW ZENER	MULLARD	BZY88C10	-
D41	211150	15V 1.3W ZENER	MULLARD	BZX61C15	1
D42	210100	10V 400mW ZENER	MULLARD	BZY88C10	-
D43	210100	10V 400mW ZENER	MULLARD	BZY88C10	-
D44	200001	75mA 75V GP SI DIODE	FAIRCHILD	IN4148	-
D45		NOT USED			-
D46	200008	200mA 125V LL SI DIODE	FAIRCHILD	IN458A	12

NOTES

SEE SHEET 2 FOR LATEST ISSUE

ISS																			
E.C.D.																			
DATE																			
CHKD																			

DATE	DRAWN	CHECKED	APPROVED	DATE	DATE

**datron** ELECTRONICS LTD  
 4700 P.A. PCB. ASSY  
 DRAWING NUMBER 400618 16 SHEET OF 24

DESIGNATOR	DATRON PART No	DESCRIPTION	PRINCIPAL MANUFACTURER	MANUFACTURER'S PART No	Qty USED Per Assy
D47	200008	200mA 125V LL Si DIODE	FAIRCHILD	IN458A	-
D48	200008	200mA 125V LL Si DIODE	FAIRCHILD	IN458A	-
D49	200008	200mA 125V LL Si DIODE	FAIRCHILD	IN458A	-
D50		NOT USED			-
D51	210300	30V 400mW ZENER	MULLARD	BZY88C30	1
D52		NOT USED			-
D53		NOT USED			-
D54	210100	10V 400mW ZENER	MULLARD	BZY88C10	-
D55		NOT USED			-
D56	200006	1A 600V GP Si DIODE	FAIRCHILD	IN4005	-
D57	213005	75V 1/2W ZENER	MOTOROLA	BZX79C75	1
D58	200001	75mA 75V GP Si DIODE	FAIRCHILD	IN4148	-
D59	200001	75mA 75V GP Si DIODE	FAIRCHILD	IN4148	-
D60	213019	200V 5% 1/2W ZENER	MULLARD	BZX79C200	2
D61	213019	200V 5% 1/2W ZENER	MULLARD	BZX79C200	-
D62	200008	200mA 125V LL Si DIODE	FAIRCHILD	IN458A	-
D63	200008	200mA 125V LL Si DIODE	FAIRCHILD	IN458A	-
D64	200008	200mA 125V LL Si DIODE	FAIRCHILD	IN458A	-
D65	200008	200mA 125V LL Si DIODE	FAIRCHILD	IN458A	-
D66	200008	200mA 125V LL Si DIODE	FAIRCHILD	IN458A	-
D67	200008	200mA 125V LL Si DIODE	FAIRCHILD	IN458A	-
D68	200008	200mA 125V LL Si DIODE	FAIRCHILD	IN458A	-
D69	200008	200mA 125V LL Si DIODE	FAIRCHILD	IN458A	-

NOTES

SEE SHEET 2 FOR LATEST ISSUE

ISS														
ECO														
DATE														
CHKD														

DATE		<b>datron</b> ELECTRONICS LTD <b>4700 P.A. PCB. ASSY.</b> DRAWING NUMBER <b>400618</b>   SHEET <b>17</b> OF <b>24</b>
DRAWN		
CHECKED		
APPROVED		
DATE		

DESIGNATOR	DATRON PART No	DESCRIPTION	PRINCIPAL MANUFACTURER	MANUFACTURER'S PART No	Qty USED Per Assy
D70	220008	L.E.D. RED.	PYE - TMC	521-9165	-
D71	200001	75mA 75V GP Si DIODE	FAIRCHILD	IN4148	-
D72	200006	1A 600V GP Si DIODE	FAIRCHILD	IN4005	-
D73	200006	1A 600V GP Si DIODE	FAIRCHILD	IN4005	-
D74	200001	75mA 75V GP Si DIODE	FAIRCHILD	IN4005	-
D75	210120	12V 400mW ZENER	MULLARD	BZY88C12	1
D76	210033	3V3 400mW ZENER	MULLARD	BZY88C3V3	2
D77	210033	3V3 400mW ZENER	MULLARD	BZY88C3V3	-
D78		NOT USED			-
D79	200001	75mA 75V GP Si DIODE	FAIRCHILD	IN4148	-
D80	200001	75mA 75V GP Si DIODE	FAIRCHILD	IN4148	-
D81	200001	75mA 75V GP Si DIODE	FAIRCHILD	IN4148	-

NOTES

SEE SHEET 7 FOR LATEST ISSUE

ISS														
ECO														
DATE														
CHKD														

DATE		<b>datron</b> ELECTRONICS LTD <b>4700 P.A. PCB. ASSY.</b> DRAWING NUMBER <b>400618</b>   SHEET <b>18</b> OF <b>24</b>
DRAWN		
CHECKED		
APPROVED		
DATE		

DESIGNATOR	DATRON PART No.	DESCRIPTION	PRINCIPAL MANUFACTURER	MANUFACTURER'S PART No.	No. USED Per Assy.
Q1	240001	Si NPN TRANSISTOR	NATIONAL	BC184/TO18	4
Q2	230063	N-CHAN TMOS JFET	MOTOROLA	MTP2N85	2
Q3	250001	Si PNP TRANSISTOR	NATIONAL	BC214/TO18	4
Q4	230064	P-CHAN TMOS JFET	MOTOROLA	MTP2P50	2
Q5	250027	Si PNP DUAL TRANSISTOR	MICRO POWER SYSTEMS	MP351	1
Q6	230036	N-CHAN JFET	SILICONIX	J108	4
Q7		NOT USED			-
Q8	230064	P-CHAN TMOS JFET	MOTOROLA	MTP2P50	-
Q9	230073	N-CHAN TMOS JFET	MOTOROLA	MTPIN100	1
Q10	250001	Si PNP TRANSISTOR	NATIONAL	BC214/TO18	-
Q11	240001	Si NPN TRANSISTOR	NATIONAL	BC184/TO18	-
Q12	240001	Si NPN TRANSISTOR	NATIONAL	BC184/TO18	-
Q13	250001	Si PNP TRANSISTOR	NATIONAL	BC214/TO18	-

NOTES:  
SEE SHEET 2 FOR LATEST ISSUE

ISS																	
E.C.O.																	
DATE																	
CHKD																	

DATE		datron ELECTRONICS LTD
DRAWN		
CHECKED		TITLE
APPROVED		4700 P.A. PCB. ASSY.
DATE		DRAWING NUMBER
		400618
		SHEET
		19 OF 24

19-1184

DESIGNATOR	DATRON PART No.	DESCRIPTION	PRINCIPAL MANUFACTURER	MANUFACTURER'S PART No.	No. USED Per Assy.
Q14	230036	N-CHAN JFET	SILICONIX	J108	-
Q15	230036	N-CHAN JFET	SILICONIX	J108	-
Q16		NOT USED			-
Q17		NOT USED			-
Q18	230036	N-CHAN JFET	SILICONIX	J108	-
Q19	230003	N-CHAN JFET	TELEDYNE	U1899JF	6
Q20	230063	N-CHAN TMOS JFET	MOTOROLA	MTP2N85	-
Q21	230001	N-CHAN I LIM 1.4mA	SILICONIX	J506	2
Q22	240006	Si NPN TRANSISTOR	NATIONAL	2N3904/TO18	2
Q23	250004	Si PNP TRANSISTOR	NATIONAL	2N3906/TO18	2
Q24	230001	N-CHAN I LIM 1.4mA	SILICONIX	J506	-
Q25	230003	N-CHAN JFET	TELEDYNE	U1899JF	-
Q26	230003	N-CHAN JFET	TELEDYNE	U1899JF	-
Q27	250009	Si PNP TRANSISTOR	NATIONAL	2N5401/TO18	2
Q28	250004	Si PNP TRANSISTOR	NATIONAL	2N3903/TO18	-
Q29	240009	Si NPN TRANSISTOR	NATIONAL	MPSL01/2N5550 TO18	2
Q30	240006	Si NPN TRANSISTOR	NATIONAL	2N3904/TO18	-
Q31	250009	Si PNP TRANSISTOR	NATIONAL	2N5401/TO18	-
Q32	240039	Si NPN TRANSISTOR	MOTOROLA	BD419	1
Q33	250028	Si PNP TRANSISTOR	MOTOROLA	BD420	1
Q34	240009	Si NPN TRANSISTOR	NATIONAL	MPSL01/2N5550 TO18	-
Q35	230003	N-CHAN JFET	TELEDYNE	U1899JF	-
Q36	250001	Si PNP TRANSISTOR	NATIONAL	BC214/TO18	-

NOTES:  
SEE SHEET 2 FOR LATEST ISSUE

ISS																	
E.C.O.																	
DATE																	
CHKD																	

DATE		datron ELECTRONICS LTD
DRAWN		
CHECKED		TITLE
APPROVED		4700 P.A. PCB. ASSY.
DATE		DRAWING NUMBER
		400618
		SHEET
		20 OF 23



DESIGNATOR	DATRON PART No.	DESCRIPTION	PRINCIPAL MANUFACTURER	MANUFACTURER'S PART No.	Qty. USED Per Assy
L9	370001	10 $\mu$ H 0.85 $\Omega$ RF CHOKE	PLESSEY	58/10/0011/10	-
L10	370001	10 $\mu$ H 0.85 $\Omega$ RF CHOKE	PLESSEY	58/10/0011/10	-
LPI	920148	NEON 200/250V T1/4 BI-PIN	RS	586-431	2
LP2	920148	NEON 200/250V T1/4 BI-PIN	RS	586-431	-
	410339-2	PCB			1
	540002	22SWG B.T.C. WIRE			A/R
	540006	1/0.4 BLACK PTFE INSULATED WIRE			A/R
	420112-1	LABEL SSD WARNING-	SEE DRG-		1
J1-J5	604033	4-WAY .1" PCB PLUG GD.PL.	MOLEX	22-29-2041	10
	605059	8-WAY DIL SOCKET	JERMYN	J23-18008	7
	605060	14-WAY DIL SOCKET	JERMYN	J23-18014	7
	605061	16-WAY DIL SOCKET	JERMYN	J23-18016	4
	611006	M3x10mm POZI-PAN STEEL	ZN.PL.		2
	611016	M3x8mm POZI-PAN STEEL	ZN.PL.		2
	613005	M3 INT. SHAKEPROOF	ZN.PL.		3
	613007	M3 WASHER STEEL	ZN.PL.		1
	615002	M3 FULL NUT STEEL	ZN.PL.		4
	618001	INSULATING BUSH TO-220	MULLARD	56359C	1
	613029	M3 WAVY WASHER			1
	620007	TEST POINT TERMINAL	MICROVAR	TYPE C30	29

NOTES

SEE SHEET 2 FOR LATEST ISSUE

ISS																				
ECN																				
DATE																				
APPROV																				

DATE		<b>datron</b> ELECTRONICS LTD TITLE <b>4700 PA. PCB ASSY</b> DRAWING NUMBER <b>400618</b> SHEET <b>23</b> OF <b>24</b>
DRAWN		
CHECKED		
APPROVED		
DATE		


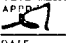
DESIGNATOR	DATRON PART No.	DESCRIPTION	PRINCIPAL MANUFACTURER	MANUFACTURER'S PART No.	Qty. USED Per Assy
	630024	STEATITE BEAD 16 SWG	PARK ROYAL PORCELAIN	Nº2	52
	630123	PCB EJECTOR - VIOLET	RICHCO	CBE	2
S1	700081	SWITCH IP 2 POS* SLIDE	ALCO	SLS-121-PC	1
	920091-1	HEATSINK TO220	SEE DRG		1
	920151	HEATSINK TO202 SLIP CLIP	THERMALLOY	6046 PB	2
	920152	HEATSINK TO220	AAVID	5425B-TT	1
	920153	HEATSINK TO220	ASSMANN	V4330	1
	630036	STEATITE BEAD 18 SWG	PARK ROYAL PORCELAIN	Nº1	6
	630243	GLASS BEAD 2.40D x 0.81D x 0.8	MANSOL (PREFORMS) LTD	M5363B/3	26
	620003	SOLDER PIN	HARWIN	H2105A01	3
	618004	TO18 MOUNTING PAD	JERMYN	TO18-008D	4
	618010	SIL PAD TO220			1
	605124	10 WAY SOCKET STRIP	AUGAT	S10-AG91D	1.33
	920149	HEATSINK TO8	SOURIAU	TXBF 2-050-033 B	1
	604046	3 WAY .1" PCB PLUG GD.PL	MOLEX	22-10-2031	1
	605127	2 WAY .1" SHORTING LINK	ASSMANN	AKS PL-G	1
	590031	HEATSHRINK $\phi$ 3.2	RS		15mm
	590004	SLEEVE $\phi$ 1.0 PTFE	HELLERMANN	FE10	A/R
	590074	SOLDER SLEEVE $\phi$ 3.0	RAYFAST	CWT-3	1
	420098	LABEL SERIAL N°			1
	512999	7/2 PTFE WHITE WIRE			40mm
	560002	7/34 AWG CO-AX			330mm
F1	920191	THERMAL FUSE 147°C	UMI	X150	1

NOTES

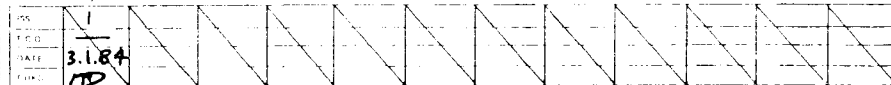
SEE SHEET 2 FOR LATEST ISSUE

ISS																				
ECN																				
DATE																				
APPROV																				

DATE		<b>datron</b> ELECTRONICS LTD TITLE <b>4700 PA. PCB ASSY</b> DRAWING NUMBER <b>400618</b> SHEET <b>24</b> OF <b>24</b>
DRAWN		
CHECKED		
APPROVED		
DATE		

DRAWING No.		CHK'D		DATE		ISSUE		
400561		2.0 1958 14.7.85		2.1 2034 14.10.85		2.2 2338 31.7.86		
		2.3 3235 15.2.87						
DESCRIPTION	DRAWING NUMBER	SHEET NUMBER	ISSUE - REVISION					
COMP LAYOUT.	480561	1	2.0	2.1	2.2			
SCHEMATIC	430561	1	2.0					
FUNCTIONAL TEST PROC.	460561/FT	1-3	2.0	2.1				
FUNCT. TEST TICK LIST	470561/FT	1	2.0	2.1				
NOTES				DRN B. JACKSON DATE 4-7-85	CHK'D MJD DATE 10.7.85	APP'D  DATE 23.7.85	TITLE 4200 OUT GUARD PSU ASSY	DRAWING No. 400561 SHEET 1 OF 5

DESIGNATOR	DATRON PART No.	DESCRIPTION	PRINCIPAL MANUFACTURER	MANUFACTURER'S PART No.	No. USED Per Assy
R1	008024	OR27 10% 1/2W WIREWOUND	WELWYN	W21	1
R2	000330	33R 5% 1/3W CARBON	MULLARD	CR25	1
R3	000102	1k 5% 1/3W CARBON	MULLARD	CR25	3
R4	000182	1k8 5% 1/3W CARBON	MULLARD	CR25	1
R5	013922	39k2 1% 1/8W 50ppm MF	HOLCO	H8C	1
R6	013742	37k4 1% 1/8W 50ppm MF	HOLCO	H8C	1
R7	090001	PTC THERMISTOR	MULLARD	VAR650	1
R8	000470	47R 5% 1/3W CARBON	MULLARD	CR25	2
R9	000470	47R 5% 1/3W CARBON	MULLARD	CR25	-
R10	011003	100k 1% 1/8W 50ppm MF	HOLCO	H8C	2
R11	011003	100k 1% 1/8W 50ppm MF	HOLCO	H8C	-
R12	066205	2M POT 3/8 SQ VERT. CERMET	BECKMAN	72XW	1
R13	008069	180k 5% 1/2W CARBON	AB	EB	1
R14	000102	1k 5% 1/3W CARBON	MULLARD	CR25	-
R15	000102	1k 5% 1/3W CARBON	MULLARD	CR25	-
R16	000221	220R 5% 1/3W CARBON	MULLARD	CR25	2
R17	008022	OR27 10% 1/2W MF	ITT	RN05	2
R18	008022	OR27 10% 1/2W MF	ITT	RN05	-
R19	000104	100k 5% 1/3W CARBON	MULLARD	CR25	1
R20	000221	220R 5% 1/3W CARBON	MULLARD	CR25	-

NOTES		DATE	datron ELECTRONICS LTD	
SEE SHEET 1 FOR LATEST ISSUE		29.2.84		
		DRAWN CHECKED APPROVED DATE 6.3.89	TITLE 4200 P5 (0G) PCB ASSY DRAWING NUMBER 400561 SHEET 2 OF 5	



DESIGNATOR	DATRON PART No.	DESCRIPTION	PRINCIPAL MANUFACTURER	MANUFACTURER'S PART No.	No. USED Per Assy.
C1		NOT USED			-
C2	150006	4 $\mu$ F 20% 16V DIP TANT	UNION CARBIDE	K4RTE16	1
C3		NOT USED			-
C4	150017	100 $\mu$ F 20% 16V DIP TANT	UNION CARBIDE	K100E16	1
C5	180004	4700 $\mu$ F 16V AL. ELECT	WIMA	PRINTILYT 1	1
C6	101103	10nF 25% 250V CER DISC	ITT	CD10	1
C7	180026	10 $\mu$ F 350V AL. ELECT	ITT	EN12.12 10/350	1
C8	104030	100pF 10% 4kV CER DISC	ITT	HD16	1
C9	102222	2n2F 20% 500V CER DISC	ITT	CD10	1
C10	110005	10nF 20% 250V POLYESTER	MULLARD	C280AE P10K	1
D1	200022	3A 400V GP Si DIODE	MOTOROLA	BY252	2
D2	200022	3A 400V GP Si DIODE	MOTOROLA	BY252	-
D3	210027	2V7 400mW ZENER	MULLARD	BZY88C2V7	1
D4	214012	2V45 30ppm ZENER	FERRANTI	ZN458	1
D5	213006	5V 5W ZENER	UNITRODE	TV5505	1
D6	210068	6V8 400mW ZENER	MULLARD	BZY88C6V8	1
D7	213004	180V 1/2 W ZENER	MOTOROLA	IN5279B	1

NOTES

SEE SHEET 2 FOR LATEST ISSUE

ISS																			
ECCO																			
DATE																			
CHKD																			

DATE	29.2.84	datron ELECTRONICS LTD
DRAWN	IL	
CHECKED		TITLE
APPROVED		4200 PS(OG) PCB ASSY
DATE		DRAWING NUMBER
		400561
		SHEET
		3
		OF
		5

DESIGNATOR	DATRON PART No.	DESCRIPTION	PRINCIPAL MANUFACTURER	MANUFACTURER'S PART No.	No. USED Per Assy.
W1	209013	1A5 600V BRIDGE RECT	MICRO-ELECTRONICS	W006	1
Q1	250011	Si PNP TRANSISTOR	NATIONAL	BC327/TO18	1
Q2	240024	Si NPN TRANSISTOR	NATIONAL	TIP31A	1
Q3	240018	Si NPN TRANSISTOR	MOTOROLA	MJE340	2
Q4	240018	Si NPN TRANSISTOR	MOTOROLA	MJE340	-
Q5	250016	Si PNP TRANSISTOR	MOTOROLA	MJ2955	2
Q6	250016	Si PNP TRANSISTOR	MOTOROLA	MJ2955	-
M1	260061	3140 OP AMP	RCA	CA3140E	1
	410179-G	PCB			1
	604042	4 WAY WAFER PIN .156"	MOLEX	09-72-2041	2
	605059	8WAY DIL SOCKET	JERMYN	J23-18008	1
	611006	M3X10mm POZIPAN STEEL	ZN PL		6
	611004	M3X6mm POZIPAN STEEL	ZN PL		1
	613005	M3 INT. SHAKEPROOF	ZN PL		7
	613007	M3 WASHER STEEL	ZN PL		6
	615002	M3 FULL NUT STEEL	ZN PL		7
	618004	MOUNTING PAD TO18	JERMYN	TO18-008D	1
	620007	TEST POINT TERMINAL	MICROVAR	TYPE C30	9
	630024	STEATITE BEAD 16 SWG	PARK ROYAL PORCELAIN	No 2 (LARGE)	6
	900003	HEATSINK COMPOUND	RS	554-311	A/R
	900004	SILICONE RUBBER COMPOUND	RS	555-588	A/R

NOTES

SEE SHEET 2 FOR LATEST ISSUE

ISS																			
ECCO																			
DATE																			
CHKD																			

DATE	29.2.84	datron ELECTRONICS LTD
DRAWN	IL	
CHECKED		TITLE
APPROVED		4200 PS (OG) PCB ASSY
DATE		DRAWING NUMBER
		400561
		SHEET
		4
		OF
		5

DESIGNATOR	DATRON PART No.	DESCRIPTION	PRINCIPAL MANUFACTURER	MANUFACTURER'S PART No.	No. USED Per Assy
	920088-1	HEATSINK TO-3	SEE DRG		2
	920126	FUSE HOLDER 20mm PCB	BELLING LEE	L1426	1
FI	920128	FUSE 4A 250V 20mm SLO-B	BELLING LEE	L2080A/4	1
	920144	HEATSINK TO-220	REDPOINT	TV1500	2
	618010	SILPAD TO 220			1
	420112-1	SSD WARNING LABEL		SEE DRG	1
	420098	SERIAL N° LABEL		RS 554-793	1

NOTES.

SEE SHEET 2 FOR LATEST ISSUE

ISS																						
E.C.O.																						
DATE																						
CHKD																						

DATE	29.2.84	datron ELECTRONICS LTD	
DRAWN		TITLE	
CHECKED		4200 PS OG PCB ASSY	
APPROVED		DRAWING NUMBER	400561
DATE		SHEET	5
		OF	5

DRAWING No		DATE	ISSUE	REVISION
400554		4-0 1958 4-7-85 MD	4-1 1981 11-9-85 MD	
		4-2 2139 5-2-86 MD	4-2 2386 12-2-87 MD	
		4-2 2775 16-5-88 MD	4-3 3185 14-2-89 MD	

DESCRIPTION	DRAWING NUMBER	SHEET NUMBER	ISSUE	REVISION
COMP LAYOUT	480554	1	4-0 4-1	4-1 4-2
SCHEMATIC	430554	1	4-0 4-1	4-2
SCHEMATIC	430554	2	4-0	4-2
FUNCTIONAL TEST. PROC.	460554/FT	1-2	4-0 4-1	4-1
FUNCT. TEST TICK LIST	470554/FT	1	4-0	4-1

NOTES	<b>datron</b> ELECTRONICS LTD NORWICH ENGLAND	DRN B. JACKSON DATE 4-7-85	CHKD MSD DATE 10-7-85	APP'D [Signature] DATE 23-7-85	TITLE 4200 PART No. PS(IG) PCB ASSY	DRAWING No 400554 SHEET 1 OF 7
-------	---	-------------------------------	--------------------------	-----------------------------------	--	-----------------------------------

DESIGNATOR	DATRON PART No.	DESCRIPTION	PRINCIPAL MANUFACTURER	MANUFACTURER'S PART No.	Qty USED Per Assy
R1	000102	1k 5% 1/3W CARBON	MULLARD	CR25	1
R2	015230	523R 1% 1/8W 50ppm MF	HOLCO	H8C	1
R3	021402	14k 1% 1/4W 50ppm MF	HOLCO	H4C	1
R4		NOT USED			-
R5		NOT USED			-
R6		NOT USED			-
R7	000272	2k7 5% 1/3W CARBON	MULLARD	CR25	2
R8	000272	2k7 5% 1/3W CARBON	MULLARD	CR25	-
R9	000103	10k 5% 1/3W CARBON	MULLARD	CR25	2
R10	000103	10k 5% 1/3W CARBON	MULLARD	CR25	-
C1	180042	3300 $\mu$ F 25V AL ELECT	STEATITE	EG. OOMG. 433E	2
C2	180042	3300 $\mu$ F 25V AL ELECT	STEATITE	EG. OOMG. 433E	-
C3	180047	1000 $\mu$ F 40V AL ELECT	ECC	SMVB	7
C4	180047	1000 $\mu$ F 40V AL ELECT	ECC	SMVB	-
C5	110020	47nF 20% 63V POLYESTER	WIMA	MKS2	1
C6	150021	22 $\mu$ F 20% 25V DIP TANT	UNION CARBIDE	K22E25	7
C7	150021	22 $\mu$ F 20% 25V DIP TANT	UNION CARBIDE	K22E25	-
C8	180047	1000 $\mu$ F 40V AL ELECT	ECC	SMVB	-
C9	180047	1000 $\mu$ F 40V AL ELECT	ECC	SMVB	-
C10	180048	470 $\mu$ F 63V AL ELECT	ECC	SMVB	2

NOTES	DATE 29.2.84	<b>datron</b> ELECTRONICS LTD
SEE SHEET 1 FOR LATEST ISSUE	DRAWN [Signature]	TITLE 4200 PS(IG) PCB ASSY
ISS 2 3 4	CHECKED [Signature]	APPROVED [Signature]
E.C.O. 1576 1647 1743	DATE 6.3.84	DRAWING NUMBER 400554
DATE 7.2.84 11.6.84 24.10.84		SHEET 2 OF 7

DESIGNATOR	DATRON PART No.	DESCRIPTION	PRINCIPAL MANUFACTURER	MANUFACTURER'S PART No.	No. USED Per Assy.
C11	150021	22 $\mu$ F 20% 25V DIP TANT	UNION CARBIDE	K22E25	-
C12	104026	47nF 50% 50V CER DISC	SIEMENS	B37449	3
C13	150021	22 $\mu$ F 20% 25V DIP TANT	UNION CARBIDE	K22E25	-
C14	180024	10 $\mu$ F 63V AL ELECT	MULLARD	O16-18109	1
C15	150021	22 $\mu$ F 20% 25V DIP TANT	UNION CARBIDE	K22E25	-
C16	150021	22 $\mu$ F 20% 25V DIP TANT	UNION CARBIDE	K22E25	-
C17	104026	47nF 50% 50V CER DISC	SIEMENS	B37449	-
C18	150001	22 $\mu$ F 20% 16V DIP TANT	UNION CARBIDE	K22E1G	2
C19	150001	22 $\mu$ F 20% 16V DIP TANT	UNION CARBIDE	K22E1G	-
C20	104026	47nF 50% 50V CER DISC	SIEMENS	B37449	-
C21	180048	470 $\mu$ F 63V AL ELECT	ECC	SMVB	-
C22	180047	1000 $\mu$ F 40V AL ELECT	ECC	SMVB	-
C23	180047	1000 $\mu$ F 40V AL ELECT	ECC	SMVB	-
C24	180047	1000 $\mu$ F 40V AL ELECT	ECC	SMVB	-
C25	150016	1 $\mu$ F 20% 35V DIP TANT	UNION CARBIDE	KIROE35	2
C26	150016	1 $\mu$ F 20% 35V DIP TANT	UNION CARBIDE	KIROE35	-
C27	150021	22 $\mu$ F 20% 25V DIP TANT	UNION CARBIDE	K22E25	-
D1	200022	3A 400V GP SI DIODE	MOTOROLA	BY252	4
D2	200022	3A 400V GP SI DIODE	MOTOROLA	BY252	-
D3	200022	3A 400V GP SI DIODE	MOTOROLA	BY252	-

NOTES

SEE SHEET 2 FOR LATEST ISSUE

DATE	29.2.84	datron ELECTRONICS LTD	
DRAWN	IL	TITLE	
CHECKED		4200 PS (IG) PCB ASSY	
APPROVED		DRAWING NUMBER	400554
DATE		SHEET	3 OF 7

DESIGNATOR	DATRON PART No.	DESCRIPTION	PRINCIPAL MANUFACTURER	MANUFACTURER'S PART No.	No. USED Per Assy.
D4	200022	3A 400V GP SI DIODE	MOTOROLA	BY252	-
D5	200002	1A 50V GP SI DIODE	FAIRCHILD	IN4001	4
D6	200002	1A 50V GP SI DIODE	FAIRCHILD	IN4001	-
D7	200002	1A 50V GP SI DIODE	FAIRCHILD	IN4001	-
D8	200002	1A 50V GP SI DIODE	FAIRCHILD	IN4001	-
D9	210200	20V 400mW ZENER	MULLARD	BZY88C20	2
D10	210200	20V 400mW ZENER	MULLARD	BZY88C20	-
D11	210033	3V3 400mW ZENER	MULLARD	BZY88C3V3	1
W1	209003	1A5 100V BRIDGE RECT	MICRO-ELECTRONICS	W001	4
W2	209003	1A5 100V BRIDGE RECT	MICRO-ELECTRONICS	W001	-
W3	209003	1A5 100V BRIDGE RECT	MICRO-ELECTRONICS	W001	-
W4	209003	1A5 100V BRIDGE RECT	MICRO-ELECTRONICS	W001	-
Q1	240037	Si NPN TRANSISTOR	MOTOROLA	TIPI41	1
Q2	250026	Si PNP TRANSISTOR	MOTOROLA	TIPI46	1
Q3	230065	J FET I LIM 4.7mA	SILICONIX	J511	2
Q4	230065	J FET I LIM 4.7mA	SILICONIX	J511	-
M1	260051	-15V 1A REGULATOR	MOTOROLA	MC7915CT	2
M2	260006	15V 1A REGULATOR	MOTOROLA	MC7815CT	2

NOTES

SEE SHEET 2 FOR LATEST ISSUE

DATE	29.2.84	datron ELECTRONICS LTD	
DRAWN	IL	TITLE	
CHECKED		4200 PS (IG) PCB ASSY	
APPROVED		DRAWING NUMBER	400554
DATE		SHEET	4 OF 7

DESIGNATOR	DATRAN PART No	DESCRIPTION	PRINCIPAL MANUFACTURER	MANUFACTURER'S PART No	No. USED Per Assy
M3	260070	317 ADJ. REGULATOR	NATIONAL	LM317 HVK	1
M4	260006	15V 1A REGULATOR	MOTOROLA	MC7815CT	-
M5		NOT USED			-
M6	260005	5V 1A REGULATOR	MOTOROLA	MC7805CT	1
M7	260051	-15V 1A REGULATOR	MOTOROLA	MC7915CT	-
M8	260072	-8V 1A REGULATOR	NATIONAL	LM7809CT	1
M9	260071	8V 1A REGULATOR	NATIONAL	LM7808CT	1
L1		NOT USED			
L2	370013	4 $\mu$ H 6A RF CHOKE	ERO	F1756-004-601	2
L3	370013	4 $\mu$ H 6A RF CHOKE	ERO	F1756-004-601	-
L4	370014	8 $\mu$ H 3A RF CHOKE	ERO	F1756-008-301	4
L5	370014	8 $\mu$ H 3A RF CHOKE	ERO	F1756-008-301	-
L6		NOT USED			
L7	370014	8 $\mu$ H 3A RF CHOKE	ERO	F1756-008-301	-
L8		NOT USED			
L9	370014	8 $\mu$ H 3A RF CHOKE	ERO	F1756-008-301	-
L10	370019	PS COMMON MODE CHOKE	SIGA	SEE DRG	1
F1	920128	FUSE 4A 250V 20mm SLO-B	BELLING LEE	L2080A/4	2
F2	920128	FUSE 4A 250V 20mm SLO-B	BELLING LEE	L2080A/4	-

NOTES

SEE SHEET 2 FOR LATEST ISSUE

ISS																				
PCD																				
DATE																				
CHKD																				

DATE	29.2.84	datron ELECTRONICS LTD
TITLE	4200 PS (IG) PCB ASSY	
DRAWN	IL	DRAWING NUMBER 400554
CHECKED		
APPROVED		SHEET 5 OF 7
DATE		

DESIGNATOR	DATRAN PART No	DESCRIPTION	PRINCIPAL MANUFACTURER	MANUFACTURER'S PART No	No. USED Per Assy
F3	920143	FUSE 3.15A 250V 20mm SLO-B	BELLING LEE	L2080A/3-15	2
F4	920143	FUSE 3.15A 250V 20mm SLO-B	BELLING LEE	L2080A/3-15	-
F5	920116	FUSE 1A 250V 20mm SLO-B	BELLING LEE	L2080A/1	2
F6	920116	FUSE 1A 250V 20mm SLO-B	BELLING LEE	L2080A/1	-
	540002	22 SWG TINNED COPPER WIRE			A/R
	410282-2	PCB			1
	590004	SLEEVE - PTFE	HELLERMANN ELECTRIC	FE10	A/R
	604042	4WAY .156" PLUG GD. PL.	MOLEX	09-72-2041	5
	611006	M3x10mm POZIPAN STEEL	ZN PL		10
	630243	GLASS BEAD 2.4% x 0.8% x 1.8	MANSOL (PREFORMS)	M5363B/3	6
	613005	M3 INT SHAKEPROOF	ZN PL		10
	613007	M3 WASHER STEEL	ZN PL		3
	615002	M3 FULL NUT STEEL	ZN PL		10
	618010	INSULATING PAD SIL TO-220	WARTH	3223-07FR-54	2
	618001	INSULATING BUSH TO-220	MULLARD	56359C	2
	620007	TEST POINT TERMINAL	MICROVAR	TYPE C30	12
	900003	HEATSINK COMPOUND	RS	554-311	A/R
	900004	SILICONE RUBBER COMPOUND	RS	555-588	A/R
	920088-1	HEATSINK TO-3	SEE DRG		1
	920089-1	HEATSINK TO-220	SEE DRG		1
	920105-1	HEATSINK TO-202	SEE DRG		3
	920126	FUSE HOLDER 20mm PCB	BELLING LEE	L1426	6
	920142	HEATSINK 2 X TO-220	REDPOINT	TY35HI9	2


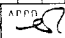
NOTES

SEE SHEET 2 FOR LATEST ISSUE

ISS																				
PCD																				
DATE																				
CHKD																				

DATE	29.2.84	datron ELECTRONICS LTD
TITLE	4200 PS (IG) PCB ASSY	
DRAWN	IL	DRAWING NUMBER 400554
CHECKED		
APPROVED		SHEET 6 OF 7
DATE		



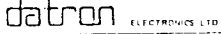
DRAWING No. <b>400653</b>		CHAD	26.2.86	21.4.86	27.5.87	22.6.87	29.2.88	
TITLE <b>LT WA</b>		DATE	26.2.86	21.4.86	27.5.87	22.6.87	29.2.88	
		ECO	1.0	1.1	1.2	1.2	1.2	
		REVISION	1.0	1.1	1.2	1.2	1.2	
		ISSUE	1.0	1.1	1.2	1.2	1.2	
DESCRIPTION	DRAWING NUMBER	SHEET NUMBER	ISSUE / REVISION					
COMP LAYOUT	480653	1	1.0	1.1	1.2			
SCHEMATIC	430653	1	1.0					
FUNCTIONAL TEST PROC.	460653/FT	1-4	1.0		1.1			
FUNCT. TEST TICK LIST	470653/FT	1	1.0					
P.C.B.	410254	-	2.0					
NOTES				DRN DATE 12 2 86	CHKD DATE R.H. COGGAN 3/3/86	APPD DATE  3 3 86	TITLE 4700 PS (38V) PCB ASSY	DRAWING No. 400653 SHEET 1 OF 5

DESIGNATOR	DATRON PART No.	DESCRIPTION	PRINCIPAL MANUFACTURER	MANUFACTURER'S PART No.	No. USED Per Assy.
R1	004752	7k5 2% 1/4W MET-OX	ELECTROSIL	TR4	2
R2	011300	130R 1% 1/8W 50ppm MF	HOLCO	H8C	2
R3	000682	6k8 5% 1/3W CARBON	MULLARD	CR25	2
R4	000563	56k 5% 1/3W CARBON	MULLARD	CR25	2
R5	000104	100k 5% 1/3W CARBON	MULLARD	CR25	2
R6	000103	10k 5% 1/3W CARBON	MULLARD	CR25	2
R7	000471	470R 5% 1/3W CARBON	MULLARD	CR25	2
R8	004752	7k5 2% 1/4W MET-OX	ELECTROSIL	TR4	-
R9	011300	130R 1% 1/8W 50ppm MF	HOLCO	H8C	-
R10	000682	6k8 5% 1/3W CARBON	MULLARD	CR25	-
R11	000563	56k 5% 1/3W CARBON	MULLARD	CR25	-
R12	000104	100k 5% 1/3W CARBON	MULLARD	CR25	-
R13	000103	10k 5% 1/3W CARBON	MULLARD	CR25	-
R14	000471	470R 5% 1/3W CARBON	MULLARD	CR25	-
R15	006392	3k9 % 1W MET-OX	ELECTROSIL	FPI	2
R16	006392	3k9 % 1W MET-OX	ELECTROSIL	FPI	-
R17	000272	2k7 5% 1/3W CARBON	MULLARD	CR25	2
R18	000222	2k2 5% 1/3W CARBON	MULLARD	CR25	2
R19	000308	3R0 5% 1/3W CARBON	MULLARD	CR25	2
R20	012741	2k74 1% 1/8W 50ppm MF	HOLCO	H8C	2
R21	013922	39k2 1% 1/8W 50ppm MF	HOLCO	H8C	2
R22	000272	2k7 5% 1/3W CARBON	MULLARD	CR25	-
R23	000222	2k2 5% 1/3W CARBON	MULLARD	CR25	-

NOTES:

SEE SHEET 1 FOR LATEST ISSUE

ISS	1	2	3	4						
ECO		1684	1694	1776						
DATE	7.12.83	1.8.84	5.9.84	30.11.84						
CHMD	MD	MD	MD	MD						

DATE	12 2 86	
DRAWN	IL	
CHECKED		
APPROVED		
TITLE	4700 PS (38V) PCB ASSY	
DRAWING NUMBER	400653	SHEET 2 OF 5

DESIGNATOR	DATRON PART No.	DESCRIPTION	PRINCIPAL MANUFACTURER	MANUFACTURER'S PART No.	No. USED Per Assy.
R24	000308	3R0 5% 1/3W CARBON	MULLARD	CR25	-
R25	012741	2k74 1% 1/8W 50ppm MF	HOLCO	H8C	-
R26	013922	39k2 1% 1/8W 50ppm MF	HOLCO	H8C	-
C1	110042	100nF 20% 63V POLYESTER	WIMA	MKS2	3
C2	110042	100nF 20% 63V POLYESTER	WIMA	MKS2	-
C3	110042	100nF 20% 63V POLYESTER	WIMA	MKS2	-
C4	120028	4n7F 20% 100V POLYCARB	WIMA	FKC2	2
C5	120028	4n7F 20% 100V POLYCARB	WIMA	FKC2	-
C6	150016	1uF 20% 35V DIP TANT	UNION CARBIDE	K10E35	2
C7	150015	10uF 20% 35V DIP TANT	UNION CARBIDE	K10E35	2
C8	150015	10uF 20% 35V DIP TANT	UNION CARBIDE	K10E35	-
C9	150016	1uF 20% 35V DIP TANT	UNION CARBIDE	K10E35	-
C10	180040	10uF 100V AL ELECT	ECC	SMVB	2
C11	180040	10uF 100V AL ELECT	ECC	SMVB	-

NOTES:

SEE SHEET 2 FOR LATEST ISSUE

DATE	12.2.86
DRAWN	
CHECKED	
APPROVED	
DATE	

datron ELECTRONICS LTD

TITLE  
4700 PS (38V) PCB ASSY

DRAWING NUMBER 400653

SHEET 3 OF 5

DESIGNATOR	DATRON PART No.	DESCRIPTION	PRINCIPAL MANUFACTURER	MANUFACTURER'S PART No.	No. USED Per Assy.
D1	210270	27V 400mW ZENER	MULLARD	BZY88C27	2
D2	210270	27V 400mW ZENER	MULLARD	BZY88C27	-
D3	200001	75mA 75V GP Si DIODE	FAIRCHILD	IN4148	2
D4	200001	75mA 75V GP Si DIODE	FAIRCHILD	IN4148	-
D5	214012	2V45 30ppm ZENER	FERRANTI	ZN458	2
D6	214012	2V45 30ppm ZENER	FERRANTI	ZN458	-
D7	210068	6V8 400mW ZENER	MULLARD	BZY88C6V8	2
D8	210068	6V8 400mW ZENER	MULLARD	BZY88C6V8	-
Q1	250026	Si PNP TRANSISTOR	MOTOROLA	TIPI46	1
Q2	240037	Si NPN TRANSISTOR	MOTOROLA	TIPI41	1
Q3	250018	Si PNP TRANSISTOR	MOTOROLA	BC556/TO18	-
Q4	250018	Si PNP TRANSISTOR	MOTOROLA	BC556/TO18	3
Q5	240029	Si NPN TRANSISTOR	MOTOROLA	BC546/TO18	-
Q6	240029	Si NPN TRANSISTOR	MOTOROLA	BC546/TO18	3
Q7	250018	Si PNP TRANSISTOR	MOTOROLA	BC556/TO18	-
Q8	240029	Si NPN TRANSISTOR	MOTOROLA	BC546/TO18	-

NOTES:

SEE SHEET 2 FOR LATEST ISSUE

DATE	12.2.86
DRAWN	
CHECKED	
APPROVED	
DATE	

datron ELECTRONICS LTD

TITLE  
4700 PS (38V) PCB ASSY

DRAWING NUMBER 400653

SHEET 4 OF 5




DESIGNATOR	DATRON PART No.	DESCRIPTION	PRINCIPAL MANUFACTURER	MANUFACTURER'S PART No.	No. USED Per Assy.
MI	260043	358 DUAL OP AMP	NATIONAL	LM358N	1
F1	920120	FUSE 1A 125V 7mm	LITTLEFUSE	275 001	2
F2	920120	FUSE 1A 125V 7mm	LITTLEFUSE	275 001	-
	410254-2	PCB			1
	605059/A	8 WAY DIL SOCKET			1
	611016	M3x8mm POZIPAN STEEL	ZN.PL.		1
	613005	M3 INT. SHAKEPROOF	ZN. PL.		2
	613007	M3 WASHER STEEL	ZN. PL.		1
	615002	M3 FULL NUT STEEL	ZN. PL.		2
	620007	TEST POINT TERMINAL	MICROVAR	TYPE C30	8
	900003	HEATSINK COMPOUND	RS	554-311	A/R
	920141	HEATSINK TO-220	AAVID	50418	2
	611006	M3x10mm POZI-PAN STEEL	ZN. PL.		1
	618001	INSULATING BUSH TO220	MULLARD	56359C	1
	618014	INSULATING PAD TIP36	WARTH	4177-NA-53	1
	618004	MOUNTING PAD TO18	JERMYN	TO18-008D	2

NOTES.

SEE SHEET 2 FOR LATEST ISSUE

ISS												
ECO												
DATE												
1 OF 1												

DATE	12.2.86	datron ELECTRONICS LTD	
DRAWN		TITLE	
CHECKED		4700 PS(38V)PCB ASSY	
APPROVED		DRAWING NUMBER	400653
DATE		SHEET	5 OF 5

DRAWING No <b>400637</b>		CHKD	1-0:2 16.2.4.3.86 1.1 2220 22.4.86 1.2 2276 13.6.86 1.2 2253 15.3.87 1.3 2591 12.6.87 1.3 2663 28.07.87 1.3 2724 10.12.87 1.3 2751 29.2.88 1.4 2956 12.7.88 1.5 3015 15.2.88 1.6 3272 16.04.89
DLWM		DATE	
		ECO	
		REVISION	
		ISSUE	
DESCRIPTION	DRAWING NUMBER	SHEET NUMBER	ISSUE - REVISION
COMPONENT LAYOUT	480637	1	1-0 1-1 1-2 1-3 1-4 1-5 1-6 1-7 1-8
SCHEMATIC	430637	1	1-0 1-1 1-2
FUNCTIONAL TEST PROC.	460637/FT	1-2	1-0 1-1 1-2 1-3
FUNCT. TEST TICK LIST	470637/FT	1	1-0 1-1 1-2
PCB	410245	4-0	
NOTES <input type="checkbox"/> DENOTES NO CHANGE TO DOC AT ISSUE LEVEL CHANGE.			
		DRN DATE	CHKD R.K. COGGAN DATE 5/3/86
		APPS DATE	DATE 4.3.88
		TITLE	4700 PA (POS) H/S ASSY.
		DRAWING No	400637
			SHEET 1 OF 7

DESIGNATOR	DATRON PART No.	DESCRIPTION	PRINCIPAL MANUFACTURER	MANUFACTURER'S PART No.	No. USED Per Assy.
R1		NOT USED			-
R2	008057	22k 5% 9W WW RES	WELWYN	W23	1
R3	000101	100R 5% 1/3W CF RES	MULLARD	CR25	5
R4	000101	100R 5% 1/3W CF RES	MULLARD	CR25	-
R5	000101	100R 5% 1/3W CF RES	MULLARD	CR25	-
R6	000101	100R 5% 1/3W CF RES	MULLARD	CR25	-
R7	008055	2R2 1% 1/2W MET GLAZE	NEOHM	RGPO207	4
R8	008055	2R2 1% 1/2W MET GLAZE	NEOHM	RGPO207	-
R9	008055	2R2 1% 1/2W MET GLAZE	NEOHM	RGPO207	-
R10	064105	1M 15 TURN V CM POT	BECKMAN	89P	1
R11	090155 - 1	10K NTC THERMISTOR	DALE ELECTRONICS	SEE DRG	2
R12	090155 - 1	10K NTC THERMISTOR	DALE ELECTRONICS	SEE DRG	-
R13	008055	2R2 1% 1/2W MET GLAZE	NEOHM	RGPO207	-
R14	008021	0R47 5% 2.5W WW RES	WELWYN	W21	1
R15	012743	274k 1% 1/8W 50ppm MF	HOLCO	H8C	4
R16	012743	274k 1% 1/8W 50ppm MF	HOLCO	H8C	-
R17		NOT USED			-
R18		NOT USED			-
R19	000101	100R 5% 1/3W CF RES	MULLARD	CR25	-
R20	000102	1K 5% 1/3W CF RES	MULLARD	CR25	1
R21	000470	47R 5% 1/3W CF RES	MULLARD	CR25	1
R22	012743	274k 1% 1/8W 50ppm MF	HOLCO	H8C	-
R23	012743	274k 1% 1/8W 50ppm MF	HOLCO	H8C	-

NOTES										DATE 20.12.85		datron ELECTRONICS LTD	
SEE SHEET 1 FOR LATEST ISSUE										DRAWN L.		TITLE 4700 PA (POS) H/S ASSY	
ECO	1	2	3	4	5	6	7	8	9				
DATE	29.5.84	25.7.84	20.9.84	4.10.84	25.10.84	28.11.84	14.1.85	29.1.85	19.4.85				
CHKD	M	MD	MD	MD	MD	MD	MD	MD	MD				
										APPROVED		DRAWING NUMBER 400637	
										DATE		SHEET 2 OF 7	





DESIGNATOR	DATRON PART No	DESCRIPTION	PRINCIPAL MANUFACTURER	MANUFACTURER'S PART No	No USED In Assy
	612004-1	M3x4mm STANDOFF	HARWIN	CS2116/B	8
	613029	M3 WAVY WASHER SS			16
	615002	M3 FULL NUT STEEL ZN PL.			4
	620003	SOLDER PIN	HARWIN	H2105A01	12
	620007	TEST POINT TERMINAL	MICROVAR	TYPE C30	4
	630024	STEATITE BEAD 16 SWG	PARK ROYAL PORCELAIN	Nº2	2
	630126	'P' CLIP $\phi$ 7.9mm	RICHCO	N5	1
	613017	M3 WASHER NYLON			1
	900003	HEATSINK COMPOUND	RS	554-311	A/R
FBI	920145	FERROXCUBE BEAD	MULLARD	FX4026	1
	590033	SLEEVE MAX CABLE $\phi$ 10	HELLERMANN ELECTRIC	H50 x 25mm BLK. HELSYN	2
	420098	LABEL SERIAL Nº	RS	554-793	1
	420112-1	LABEL SSD WARNING	SEE DRG		1
	605059	8 WAY DIL SOCKET			1
J3	605053	12-WAY .1" HOUSING	MOLEX	22-01-2125	1
	613007	M3 WASHER STEEL ZN PL			4
	614001	M3 CLEAR x 4mm STANDOFF	HARWIN	CS2117B	4
	540002	22 SWG B.T.C. WIRE			A/R
	590004	SLEEVE $\phi$ 1.0 PTFE	HELLERMANN	FE10	A/R
	900004	SILICONE RUBBER COMP.	RS	555-588	A/R

NOTES.

SEE SHEET 2 FOR LATEST ISSUE

DATE	20.12.85	datron ELECTRONICS LTD
DRAWN	IL	
CHECKED		TITLE
APPROVED		4700.PA (POS) H/S ASSY
DATE		DRAWING NUMBER
		400637
		SHEET
		7 of 7

DRAWING No <b>400539</b>		CHK D		DATE		ECO		REVISION		ISSUE							
LWH		7.0 1988.5.7.85 <b>M</b>		7.1 12056 15.11.85 <b>L</b>		7.1 12118 29.1.86 <b>L</b>		7.2 2218 22.4.86 <b>L</b>		7.3 1223 2.5.86 <b>L</b>							
		7.4 12276 3.6.86 <b>L</b>		7.5 12262 4.6.86 <b>L</b>		7.6 12432 21.11.86 <b>L</b>		7.7 12485 15.12.86 <b>L</b>		7.7 12651 15.8.87 <b>L</b>							
		7.7 12784 10.12.87 <b>L</b>		7.7 12751 29.2.88 <b>L</b>		7.8 13015 5.9.88 <b>L</b>		7.9 3272 16 MAR 89 <b>L</b>									
DESCRIPTION	DRAWING NUMBER	SHEET NUMBER	ISSUE + REVISION														
COMPONENT LAYOUT	480539	1	7.0	7.1	7.2	7.3	7.4	7.5	7.6	7.7	7.8	7.9					
SCHEMATIC	430539	1	7.0	7.1	7.2	7.3	7.4	7.5	7.6	7.7	7.8	7.9					
FUNCTIONAL TEST PROC	460539/FT	1-2	7.0						7.1	7.2							
FUNC. TEST TICK LIST	470539/FT	1	7.0						7.1	7.2							
PCB	410246	1				4											
NOTES			<input type="checkbox"/> DENOTES NO CHANGE TO DOC AT ISSUE LEVEL CHANGE			 <small>INTEGRATED ELECTRONICS</small> <small>NORWICH ENGLAND</small>		DRN: <b>IL</b> DATE: <b>10.7.85</b>		CHK D: <b>MJD</b> DATE: <b>12.7.85</b>		APPD: _____ DATE: _____		TITLE: <b>4200 PA (NEG) H/S ASSY.</b>		DRAWING No: <b>400539</b> SHEET 1 OF 6	

DESIGNATOR	DATRON PART No.	DESCRIPTION	PRINCIPAL MANUFACTURER	MANUFACTURER'S PART No.	No. USED Per Assy
R1		NOT USED			-
R2	008057	22k 5% 9W WW RES	WELWYN	W23	-
R3	000101	100R 5% 1/3W CF RES	MULLARD	CR25	5
R4	000101	100R 5% 1/3W CF RES	MULLARD	CR25	-
R5	000101	100R 5% 1/3W CF RES	MULLARD	CR25	-
R6	008055	2R2 1% 1/2W MET-GLAZE	NEOHM	RGPO207	4
R7	008055	2R2 1% 1/2W MET-GLAZE	NEOHM	RGPO207	-
R8	000101	100R 5% 1/3W CF RES	MULLARD	CR25	-
R9	090155-1	10k NTC THERMISTOR	DALE ELECTRONICS	SEE DRG	2
R10	090155-1	10k NTC THERMISTOR	DALE ELECTRONICS	SEE DRG	-
R11	008055	2R2 1% 1/2W MET-GLAZE	NEOHM	RGPO207	-
R12	012743	274k 1% 1/8W 50ppm MF	HOLCO	H8C	4
R13	012743	274k 1% 1/8W 50ppm MF	HOLCO	H8C	-
R14	008055	2R2 1% 1/2W MET-GLAZE	NEOHM	RGPO207	-
R15	008021	0R47 5% 2-SW WW RES	WELWYN	W21	1
R16	000101	100R 5% 1/3W CF RES	MULLARD	CR25	-
R17	012743	274k 1% 1/8W 50ppm MF	HOLCO	H8C	-
R18	012743	274k 1% 1/8W 50ppm MF	HOLCO	H8C	-
C1	110043	10nF 20% 630V POLYESTER	WIMA	MKS4	4
C2	110043	10nF 20% 630V POLYESTER	WIMA	MKS4	-
C3	110043	10nF 20% 630V POLYESTER	WIMA	MKS4	-
C4	110043	10nF 20% 630V POLYESTER	WIMA	MKS4	-

NOTES							DATE: <b>22.2.84</b>		 <small>ELECTRONICS LTD</small>	
SEE SHEET 1 FOR LATEST ISSUE							DRAWN: <b>IL</b>		TITLE: <b>4200. PA (NEG) H/S ASSY</b>	
ISS	1	2	3	4	5	6	7	APPROVED: <i>[Signature]</i>		DRAWING NUMBER: <b>400539</b>
DATE	29.5.84	24.7.84	4.10.84	25.10.84	28.11.84	14.1.85	19.4.85	DATE: <b>29.5.84</b>		

DESIGNATOR	DATRON PART No.	DESCRIPTION	PRINCIPAL MANUFACTURER	MANUFACTURER'S PART No.	No. USED Per Assy.
C5	110053	47nF 10% 630V POLYESTER	WIMA	MKS4	4
C6	110053	47nF 10% 630V POLYESTER	WIMA	MKS4	-
C7	110053	47nF 10% 630V POLYESTER	WIMA	MKS4	-
C8	110053	47nF 10% 630V POLYESTER	WIMA	MKS4	-
C9	150002	10uF 20% 16V DT CAP	UNION CARBIDE	K10E16	1

NOTES.

SEE SHEET 2 FOR LATEST ISSUE

ISS											
ECO											
DATE											
CHKD											

DATE	15. 11. 85	datron ELECTRONICS LTD	
DRAWN	LL	TITLE	4200. PA. (NEG) H/S ASSY.
CHECKED		DRAWING NUMBER	400539
APPROVED		SHEET	3 OF 6
DATE			

DESIGNATOR	DATRON PART No.	DESCRIPTION	PRINCIPAL MANUFACTURER	MANUFACTURER'S PART No.	No. USED Per Assy.
D1	213019	200V 5% 1/2W ZENER	MULLARD	BZX79C200	6
D2	213019	200V 5% 1/2W ZENER	MULLARD	BZX79C200	-
D3	213019	200V 5% 1/2W ZENER	MULLARD	BZX79C200	-
D4	213019	200V 5% 1/2W ZENER	MULLARD	BZX79C200	-
D5	213019	200V 5% 1/2W ZENER	MULLARD	BZX79C200	-
D6	213019	200V 5% 1/2W ZENER	MULLARD	BZX79C200	-
D7	210100	10V 400mW ZENER	MULLARD	BZY88C10	4
D8	210100	10V 400mW ZENER	MULLARD	BZY88C10	-
D9	210100	10V 400mW ZENER	MULLARD	BZY88C10	-
D10	210100	10V 400mW ZENER	MULLARD	BZY88C10	-
D11	200020	1A 1k5V FR Si DIODE	MOTOROLA	BY339	1
D12	200001	75mA 75V GP Si DIODE	FAIRCHILD	1N4148	1
D13	214012	2V45 30ppm ZENER	FERRANTI	ZN458	1
Q1	239068-1	MTM2P50 MATCHED PAIR.	DATRON	SEE DRG.	2 PAIRS.
Q2					
Q3	239068-1	MTM2P50 MATCHED PAIR.	DATRON	SEE DRG.	-
Q4					
Q5	250001	Si PNP TRANSISTOR	NATIONAL	BC214 / T018	1
Q6	240001	Si NPN TRANSISTOR	NATIONAL	BC184 / T018	1
Q7	230050	N-CHAN I LIM 2.4 mA	SILICONIX	J508	1

NOTES.

SEE SHEET 2 FOR LATEST ISSUE

ISS											
ECO											
DATE											
CHKD											

DATE	22. 2. 84	datron ELECTRONICS LTD	
DRAWN	LL	TITLE	4200. PA. (NEG) H/S ASSY.
CHECKED		DRAWING NUMBER	400539
APPROVED		SHEET	4 OF 6
DATE			

DESIGNATOR	DATRON PART No.	DESCRIPTION	PRINCIPAL MANUFACTURER	MANUFACTURER'S PART No.	No. USED Per Assy.
	410246-1	PCB			1
	420080-1	LABEL 'DANGER HIGH VOLTAGE'			2
	450454-1	HEATSINK 64mm			1
	450455-1	HEATSINK 91mm			1
	605118-1	SOCKET $\phi 1.02$	CAMBION	SEE DRAWING A4	8
	590005	SLEEVE MAX. CABLE $\phi 4.0$	HELLERMANN ELECTRIC	H20 x 20mm BLACK HELSYN	1
	590001	SLEEVE MAX. CABLE $\phi 3.0$	HELLERMANN ELECTRIC	H15 x 20mm BLACK HELSYN	3
	590002	SLEEVE MAX. CABLE $\phi 6.0$	HELLERMANN ELECTRIC	H15 x 25mm BLACK HELSYN	3
FB2	920145	FERROXUBE BEAD	MULLARD	FX 4026	1
J1	604033	4 WAY .1" PCB PLUG GD. PL.	MOLEX	22-29-2041	2
J2	605053	12 WAY .1" HOUSING	MOLEX	22-01-2125	1
	605057	CRIMP TERMINAL GD. PL.	MOLEX	4809-GL	5
	590004	SLEEVE $\phi 1.0$ PTFE	HELLERMANN	FE10	A/R
	611006	M3 x 10mm POZIPAN STEEL	ZN PL		9
	611027	M3 x 20mm POZIPAN STEEL	ZN PL		3
	612004-1	M3 x 4mm STANDOFF	HARWIN	CS2116/B	8
	613029	M3 WAY WASHER SS			15
	613007	M3 WASHER STEEL	ZN PL		3
	615002	M3 FULL NUT STEEL	ZN PL		3
	620003	SOLDER PIN	HARWIN	H2105A01	5
	620007	TEST POINT TERMINAL	MICROVAR	TYPE C30	4
	630003	'P' CLIP $\phi 4.8$ mm	SES	CN5	1
	900003	HEATSINK COMPOUND	RS	554-311	A/R

NOTES:

SEE SHEET 2 FOR LATEST ISSUE

ISS																				
ECN																				
DATE																				
TIME																				

DATE	23.2.84.	datron ELECTRONICS LTD
DRAWN	11	
CHECKED		TITLE
APPROVED		4200 PA (NEG) H/S ASSY
DATE		DRAWING NUMBER
		400539
		SHEET
		5 OF 6

DESIGNATOR	DATRON PART No.	DESCRIPTION	PRINCIPAL MANUFACTURER	MANUFACTURER'S PART No.	No. USED Per Assy.
	512222	7/2 PTFE INSULATED (RED) WIRE			A/R
	512444	7/2 PTFE INSULATED (YEL) WIRE			A/R
	512666	7/2 PTFE INSULATED (BLUE) WIRE			A/R
	512999	7/2 PTFE INSULATED (WHITE) WIRE			A/R
	512333	7/2 PTFE INSULATED (OR) WIRE			A/R
	420098	LABEL SERIAL No	RS	554-793	1
	420112-1	LABEL SSD WARNING	SEE DRG		1
	630024	STEATITE BEAD 16SWG	PARK ROYAL PORCELAIN	Nº 2	2
	614001	M3 CLEAR x 4mm STANDOFF	HARWIN	CS2117B	4


NOTES:

SEE SHEET 2 FOR LATEST ISSUE

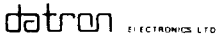
ISS																				
ECN																				
DATE																				
TIME																				

DATE	22.2.84	datron ELECTRONICS LTD
DRAWN		
CHECKED		TITLE
APPROVED		4200 PA (NEG) H/S ASSY
DATE		DRAWING NUMBER
		400539
		SHEET
		6 OF 6



DRAWING No. <b>400540</b>		CHK'D <b>MD</b>	DATE <b>10.7.85</b>	ECO	REVISION	ISSUE				
TITLE <b>HW</b>		6.0 1958 10.7.85 MD	6.1 2048 21.0.85 AC	6.1 2069 3.12.85 AC	6.2 2219 22.8.86 AC	6.3 2315 11.7.86 AC				
		6.4 2396 7.11.86 AC	6.5 2444 7.11.86 AC	6.6 2535 5.3.87 AC	6.6 2560 26.3.87 AC	6.6 2609 22.6.87 AC				
		6.6 2651 25.8.87 AC	6.6 2751 29.2.88 AC	6.7 3015 5.9.88 AC						
DESCRIPTION	DRAWING NUMBER	SHEET NUMBER	ISSUE - REVISION							
COMPONENT LAYOUT	480540	1	6.0	6.1	6.2	6.3				
SCHMATIC	430540	1	6.0	6.1						
FUNCTIONAL TEST PROC.	460540/FT	1-5	6.0			6.1				
FUNC. TEST TICK LIST	470540/FT	1	6.0			6.1				
NOTES		<input type="checkbox"/> DENOTES NO CHANGE TO DOC AT ISSUE LEVEL CHANGE				DRN DATE 10.7.85	CHK'D DATE 12.7.85	APP'D DATE 23.7.85	TITLE 4200 PS/I H/S ASSY	DRAWING No. 400540 SHEET 1 OF 8

DESIGNATOR	DATRON PART No.	DESCRIPTION	PRINCIPAL MANUFACTURER	MANUFACTURER'S PART No.	No. USED Per Assy
R1	000101	100R 5% 1/3W CF RES	MULLARD	CR25	2
R2	008037	OR18 10% 2.5W WW RES	WELWYN	W21	2
R3	008037	OR18 10% 2.5W WW RES	WELWYN	W21	-
R4	000101	100R 5% 1/3W CF RES	MULLARD	CR25	-
R5	008045	10K 1% 1/2W MET-GLAZE	NEOHM	RGPO207	2
R6	000102	1K 5% 1/3W CF RES	MULLARD	CR25	1
R7	000220	22R 5% 1/3W CF RES	MULLARD	CR25	1
R8	006105	1M 2% 1W MET-OX	ELECTROSIL	FPI	4
R9	014991	4K99 1% 1/8W 50ppm MF	HOLCO	H8C	2
R10	016811	6k81 1% 1/8W 50ppm MF	HOLCO	H8C	2
R11		NOT USED			-
R12	000821	820R 5% 1/3W CF RES	MULLARD	CR25	2
R13	006105	1M 2% 1W MET-OX	ELECTROSIL	FPI	-
R14	007204	200k 2% 2W MET-OX	ELECTROSIL	FP2	4
R15	011821	1k82 1% 1/8W 50ppm MF	HOLCO	H8C	2
R16	016192	61k9 1% 1/8W 50ppm MF	HOLCO	H8C	2
R17	008062	10R 1% 2 1/2W WW RES	WELWYN	W21	2
R18	006105	1M 2% 1W MET-OX	ELECTROSIL	FPI	-
R19	007204	200k 2% 2W MET-OX	ELECTROSIL	FP2	-
R20	011821	1k82 1% 1/8W 50ppm MF	HOLCO	H8C	-
R21	016192	61k9 1% 1/8W 50ppm MF	HOLCO	H8C	-
R22	006105	1M 2% 1W MET-OX	ELECTROSIL	FPI	-
R23	008062	10R 1% 2 1/2W WW RES	WELWYN	W21	-

NOTES						DATE 23.2.84			
SEE SHEET 1 FOR LATEST ISSUE						DRAWN 11	TITLE 4200 PS/I H/S ASSY		
ISS	1	2	3	4	5	6	CHECKED AC	DRAWING NUMBER 400540	
ECO	1691	1731	1740	1775	1805	1869	APPROVED JS		SHEET 2 OF 8
DATE	29.5.84	20.8.84	18.10.84	9.1.85	19.4.85	30.4.85	DATE 29.5.84		



DESIGNATOR	DATRON PART No	DESCRIPTION	PRINCIPAL MANUFACTURER	MANUFACTURER'S PART No	No USED Per Assy
D1	210056	5V6 400mW ZENER	MULLARD	BZY88C5V6	2
D2	210150	15V 400mW ZENER	MULLARD	BZY88C15	4
D3	213020	30V 5% 1/2W ZENER	MULLARD	BZX79C30	2
D4	200006	1A 600V GP Si DIODE	FAIRCHILD	IN4005	4
D5	213021	56V 2% 400mW ZENER	MULLARD	BZX79B56	2
D6	200006	1A 600V GP Si DIODE	FAIRCHILD	IN4005	-
D7	214014	1V22 100ppm ZENER	TELEDYNE	9491BJ	2
D8	210150	15V 400mW ZENER	MULLARD	BZY88C15	-
D9	210150	15V 400mW ZENER	MULLARD	BZY88C15	-
D10	200006	1A 600V GP Si DIODE	FAIRCHILD	IN4005	-
D11	213020	30V 5% 1/2W ZENER	MULLARD	BZX79C30	-
D12	213021	56V 2% 400mW ZENER	MULLARD	BZX79B56	-
D13	200006	1A 600V GP Si DIODE	FAIRCHILD	IN4005	-
D14	210150	15V 400mW ZENER	MULLARD	BZY88C15	-
D15	210056	5V6 400mW ZENER	MULLARD	BZY88C5V6	-
D16	214014	1V22 100ppm ZENER	TELEDYNE	9491BJ	-
Q1	240036	Si NPN DARL TRANSISTOR	MOTOROLA	MJ1000	1
Q2	250024	Si PNP DARL TRANSISTOR	MOTOROLA	MJ900	1
Q3	230063	N-CHAN T.MOS JFET	MOTOROLA	MTP2N85	1
Q4	250001	Si PNP TRANSISTOR	NATIONAL	BC214/TO18	1
Q5	240006	Si NPN TRANSISTOR	NATIONAL	2N3904/TO18	1

NOTES:

SEE SHEET 2 FOR LATEST ISSUE

ISS																				
F.C.O																				
DATE																				
CHKD																				

DATE	23.2.84	datron ELECTRONICS LTD	
DRAWN	IL	TITLE	
CHECKED		4200. PS/I H/S ASSY	
APPROVED		DRAWING NUMBER 400540	
DATE		5	SHEET OF 8

DESIGNATOR	DATRON PART No	DESCRIPTION	PRINCIPAL MANUFACTURER	MANUFACTURER'S PART No	No USED Per Assy
Q6	250004	Si PNP TRANSISTOR	NATIONAL	2N3906/TO92	1
Q7	240001	Si NPN TRANSISTOR	NATIONAL	BC184/TO92	2
Q8	230001	N-CHAN I LIM 1.4 mA	TELEDYNE	TCR506	2
Q9	230062	P-CHAN T.MOS JFET	MOTOROLA	MTM2P50	1
Q10	230001	N-CHAN I LIM 1.4 mA	TELEDYNE	TCR506	-
Q11	230064	P-CHAN T.MOS JFET	MOTOROLA	MTP2P50	1
Q12	230061	N-CHAN T.MOS JFET	MOTOROLA	MTM2N85 TO3	1
Q13	240001	Si NPN TRANSISTOR	NATIONAL	BC184/TO18	-
M1	220018	Hi-SPEED OPTO ISOLATOR	HP	6N136	2
M2	220018	Hi-SPEED OPTO ISOLATOR	HP	6N136	-
	410247-3	PCB			1
	420080-1	LABEL 'DANGER HIGH VOLTAGE'			1
	450456-1	HEATSINK			1
	512111	7/2 PTFE INSULATED (BRN) WIRE	RS		A/R
	512222	7/2 PTFE INSULATED (RED) WIRE	RS		A/R
	512444	7/2 PTFE INSULATED (YEL) WIRE	RS		A/R
	512555	7/2 PTFE INSULATED (GRN) WIRE	RS		A/R
	512666	7/2 PTFE INSULATED (BLU) WIRE	RS		A/R


NOTES:

SEE SHEET 2 FOR LATEST ISSUE

ISS																				
F.C.O																				
DATE																				
CHKD																				

DATE	23.2.84	datron ELECTRONICS LTD	
DRAWN	IL	TITLE	
CHECKED		4200. PS/I H/S ASSY	
APPROVED		DRAWING NUMBER 400540	
DATE		6	SHEET OF 8



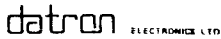
DRAWING No <b>400537</b>		CHK'D	1.0	2162	12.3.86	1.1	2184	21.3.86	1.2	2260	15.6.86	1.3	2311	4.7.86	2.0	2507	15.3.87	2.1	2637	19.8.87	2.2	3080	20.8.88	2.3	3214	15.2.89
DATE DL WPA		DATE																								
ECO		ECO																								
REVISION		REVISION																								
ISSUE		ISSUE																								
DESCRIPTION	DRAWING NUMBER	SHEET NUMBER	ISSUE - REVISION																							
COMPONENT LAYOUT	480537	1	1.0	1.1	1.2	1.3	1.3	2.0	2.1	2.3																
SCHEMATIC	430537	1	1.0	1.1	1.3	2.0	2.1																			
FUNCTIONAL TEST PROC	460537/FT	ALL	1.0	2.0																						
FUNC. TEST TICK LIST	470537/FT	ALL	1.0	2.0																						
PCB	410327	1.0																								
NOTES													DRN IL	CHKD Rk COGGAN	APPD [Signature]	TITLE 4700 HV PCB ASSY.	DRAWING No. 400537									
			NORWICH ENGLAND										DATE 12.3.86	DATE 13/3/86	DATE 13.7.86	SHEET 1 OF 6										

DESIGNATOR	DATRON PART No.	DESCRIPTION	PRINCIPAL MANUFACTURER	MANUFACTURER'S PART No.	No USED Per Assy.
R1	008032	270R 5% 2 1/2W W/W	WELWYN	W21	1
R2	008029	18R 2% 1/2W MET GLAZE	NEOHM	RGPO207	2
R3	000103	10K 5% 1/3W CARBON	MULLARD	CR25	5
R4	000103	10k 5% 1/3W CARBON	MULLARD	CR25	-
R5	000103	10k 5% 1/3W CARBON	MULLARD	CR25	-
R6	000105	1M 5% 1/3W CARBON	MULLARD	CR25	1
R7	000103	10k 5% 1/3W CARBON	MULLARD	CR25	-
R8	008029	18R 2% 1/2W MET GLAZE	NEOHM	RGPO207	-
R9	000472	4k7 5% 1/3W CARBON	MULLARD	CR25	1
R10	001151	150R 5% 1/2W CARBON	MULLARD	CR37	1
R11		NOT FITTED			-
R12	000103	10K 5% 1/3W CARBON	MULLARD	CR25	-
R13		NOT FITTED			-
R14	008026	2K7 5% 2W5 W.W.	WELWYN	W21-2K7	1

NOTES

SEE SHEET 2 FOR LATEST ISSUE

ISS	
ECO	
DATE	
CHKD	

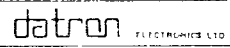
DATE 3.6.85	
DRAWN	TITLE 4700 HV PCB ASSY
CHECKED	
APPROVED	DRAWING NUMBER 400537
DATE	SHEET 2 OF 6

DESIGNATOR	DATRON PART No.	DESCRIPTION	PRINCIPAL MANUFACTURER	MANUFACTURER'S PART No.	No. USED Per Assy.
AN1	090131	10K x 4 2% SIL NETWORK	BECKMAN	LO8-3-R10K	2
AN2	090131	10K x 4 2% SIL NETWORK	BECKMAN	LO8-3-R10K	-
AN3	090096	1M x 8 2% NETWORK	BECKMAN	LO9-1-R1M	1
C1	140047	33nF 10% 1k5V POLYPROP	STEATITE	MKP1841	3
C2	140047	33nF 10% 1k5V POLYPROP	STEATITE	MKP1841	-
C3	180048	470uF 50V AL. ELEC.	ECC	SMVB	2
C4	180048	470uF 50V AL. ELEC.	ECC	SMVB	-
C5	104026	47nF $\pm 50\%$ 50V CER DISC	SIEMENS	B37449	3
C6	104026	47nF $\pm 50\%$ 50V CER DISC	SIEMENS	B37449	-
C7	104026	47nF $\pm 50\%$ 50V CER DISC	SIEMENS	B37449	-
C8	102102	1nF 10% 500V CER DISC	ITT	CD10	1

NOTES.

SEE SHEET 2 FOR LATEST ISSUE

ISS	ECO	DATE	CHKD							

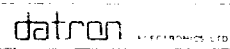
DATE	3.6.85		
DRAWN	IL		
CHECKED			
APPROVED			
DATE		TITLE	4700 HV. PCB. ASSY.
		DRAWING NUMBER	400537
		SHEET	3 OF 6

DESIGNATOR	DATRON PART No.	DESCRIPTION	PRINCIPAL MANUFACTURER	MANUFACTURER'S PART No.	No. USED Per Assy.
C9	102221	220pF 10% 500V CER DISC	ITT	CD10	1
C10	140048	47nF 10% 1k5V POLYPROP	STEATITE	MKP1841	1
C11	102821	820pF 10% 500V CER DISC	ITT	CD10	1
C12	102332	3n3F 20% 500V CER DISC	ITT	CD10	1
C13	140047	33nF 10% 1k5V POLYPROP	STEATITE	MKP1841	-
C14	104044	680pF 10% 2kV CER DISC	ITT	H009	1
D1	200020	1A 1k5V FR Si DIODE	MOTOROLA	BY339	3
D2	200020	1A 1k5V FR Si DIODE	MOTOROLA	BY339	-
D3	200020	1A 1k5V FR Si DIODE	MOTOROLA	BY339	-
D4	200020	1A 1k5V FR Si DIODE	MOTOROLA	BY339	-
D5	200020	1A 1k5V FR Si DIODE	MOTOROLA	BY339	-
D6	200020	1A 1k5V FR Si DIODE	MOTOROLA	BY339	-
D7	200020	1A 1k5V FR Si DIODE	MOTOROLA	BY339	-
D8	200020	1A 1k5V FR Si DIODE	MOTOROLA	BY339	-
D9	200002	1A 50V GP Si DIODE	FAIRCHILD	IN4001	1
D10	213009	15V 5W ZENER	UNITRODE	TVS515	1
D11	213006	5V 5W ZENER	UNITRODE	TVS505	2
D12	213006	5V 5W ZENER	UNITRODE	TVS505	-
D13	200020	1A 1k5V FR Si DIODE	MOTOROLA	BY339	-

NOTES.

SEE SHEET 2 FOR LATEST ISSUE

ISS	ECO	DATE	CHKD							

DATE	3.6.85		
DRAWN	IL		
CHECKED			
APPROVED			
DATE		TITLE	4700 HV. PCB. ASSY.
		DRAWING NUMBER	400537
		SHEET	3 OF 6

DESIGNATOR	DATRON PART No	DESCRIPTION	PRINCIPAL MANUFACTURER	MANUFACTURER'S PART No	No. USED Per Assy
Q1	250011	Si PNP TRANSISTOR	NATIONAL	BC327/TO18	1
M1	290089	7 X DARLINGTON DRIVER	SPRAGUE/EXAR	ULN2003A/XR2203CP	1
M2	280039	QUAD EXCLUSIVE NOR	MOTOROLA	MC14077BCP	1
M3	280023	QUAD 2 I/P NOR	MOTOROLA	MC14001U BCP	1
RL1	330035	RELAY 2P 24V	SDS	ST1-24V	1
RL2	330033	RELAY 2P N/O 5A 2kV	SDS	JC2a DC24V	3
RL3	330033	RELAY 2P N/O 5A 24V	SDS	JC2a DC24V	-
RL4	330033	RELAY 2P N/O 5A 24V	SDS	JC2a DC24V	-
RL5	330044	RELAY 2P2W 5A	DATRON		1
L1		NOT USED			-
L2	370001	10 $\mu$ H 0.85 $\Omega$ RF CHOKE	PLESSEY	58/10/0011/10	3
L3	370007-1	40mH CHOKE	SIGA	SEE DRG	1
L4	370015-2	25.3mH CHOKE	SIGA	SEE DRG	2
L5	370015-2	25.3mH CHOKE	SIGA	SEE DRG	-
L6	370001	10 $\mu$ H 0.85 $\Omega$ RF CHOKE	PLESSEY	58/10/0011/10	-
L7	370001	10 $\mu$ H 0.85 $\Omega$ RF CHOKE	PLESSEY	58/10/0011/10	-

NOTES.

SEE SHEET 2 FOR LATEST ISSUE

ISS																			
ECD																			
DATE																			
CHKD																			

DATE	3.6.85	datron ELECTRONICS LTD
DRAWN	IL	
CHECKED		TITLE
APPROVED		4700 HV PCB ASSY
DATE		DRAWING NUMBER
		400537
		SHEET OF
		5 6

DESIGNATOR	DATRON PART No	DESCRIPTION	PRINCIPAL MANUFACTURER	MANUFACTURER'S PART No	No. USED Per Assy
	400563-3	CONSTANT I PCB ASSY			1
	410327-2	H.V. PCB			1
	420080-1	HIGH VOLTAGE LABEL			1
	450461-3	H.V. PCB SAFETY SCREEN	DATRON		1
	512999	7/0-2 PTFE INS. WHITE WIRE	RS		A/R
	420112-1	SSD WARNING LABEL		SEE DRG	1
	420098	SERIAL NO LABEL		RS 554-793	1
J2, J3, J4	604033	4WAY .1" PCB PLUG GD.PL	MOLEX	22-29-2041	7
	611006	M3x10mm SCREW POZIPAN ST.	ZN.PL.	GKN	2
	613029	M3 WAVY WASHER SS.			2
	615002	M3 FULL NUT STEEL ZN.PL.			2
	613005	M3 SHAKERPROOF WASHER	ZN.PL.		2
	630243	GLASS BEAD 24% x 0.8/0 x 1.8	MAN SOL (PREFORMS)	M53638/3	6
	620007	TEST POINT TERMINAL	MICROVAR	TYPE C30	8
	630024	16SWG STEATITE BEAD	PARK ROYAL PORCELAIN	No 2	8
	605060	14 PIN DIL SOCKET	JERMYN	J23-18014	2
	605061	16 PIN DIL SOCKET	JERMYN	J23-18016	1

NOTES.

SEE SHEET 2 FOR LATEST ISSUE

ISS																			
ECD																			
DATE																			
CHKD																			

DATE	3.6.85	datron ELECTRONICS LTD
DRAWN	IL	
CHECKED		TITLE
APPROVED		4700 HV PCB ASSY
DATE		DRAWING NUMBER
		400537
		SHEET OF
		6 6





DESIGNATOR	DATRON PART No.	DESCRIPTION	PRINCIPAL MANUFACTURER	MANUFACTURER'S PART No.	No. USED Per Assy.
D1	213026	120V 3.25V ZENER	MULLARD	BZT 03C120	12
D2	213026	120V 3.25V ZENER	MULLARD	BZT 03C120	-
D3	213026	120V 3.25V ZENER	MULLARD	BZT 03C120	-
D4	213026	120V 3.25V ZENER	MULLARD	BZT 03C120	-
D5	213026	120V 3.25V ZENER	MULLARD	BZT 03C120	-
D6	213026	120V 3.25V ZENER	MULLARD	BZT 03C120	-
D7	213026	120V 3.25V ZENER	MULLARD	BZT 03C120	-
D8	213026	120V 3.25V ZENER	MULLARD	BZT 03C120	-
D9	213026	120V 3.25V ZENER	MULLARD	BZT 03C120	-
D10	213026	120V 3.25V ZENER	MULLARD	BZT 03C120	-
D11	213026	120V 3.25V ZENER	MULLARD	BZT 03C120	-
D12	213026	120V 3.25V ZENER	MULLARD	BZT 03C120	-
D13	210100	10V 400mW ZENER	MULLARD	BZY88C10	1
D14	200008	200mA 125V LL Si DIODE	FAIRCHILD	IN458A	4
D15	200008	200mA 125V LL Si DIODE	FAIRCHILD	IN458A	-
D16	200008	200mA 125V LL Si DIODE	FAIRCHILD	IN458A	-
D17	200008	200mA 125V LL Si DIODE	FAIRCHILD	IN458A	-
D18	200001	75mA 75V GP Si DIODE	FAIRCHILD	IN4148	2
D19	200001	75mA 75V GP Si DIODE	FAIRCHILD	IN4148	-

NOTES.

SEE SHEET 2 FOR LATEST ISSUE

ISS																
E.C.D.																
DATE																
CHKD																

DATE	datron ELECTRONICS LTD		
DRAWN	TITLE 4700 CONSTANT CURRENT SOURCE PCB ASSY		
CHECKED	DRAWING NUMBER 400563		
APPROVED	3 SHEET OF 4		
DATE			

DESIGNATOR	DATRON PART No.	DESCRIPTION	PRINCIPAL MANUFACTURER	MANUFACTURER'S PART No.	No. USED Per Assy.
Q1	240032	Si NPN TRANSISTOR	MOTOROLA	BF 393/TO18	12
Q2	240032	Si NPN TRANSISTOR	MOTOROLA	BF 393/TO18	-
Q3	240032	Si NPN TRANSISTOR	MOTOROLA	BF 393/TO18	-
Q4	240032	Si NPN TRANSISTOR	MOTOROLA	BF 393/TO18	-
Q5	240032	Si NPN TRANSISTOR	MOTOROLA	BF 393/TO18	-
Q6	240032	Si NPN TRANSISTOR	MOTOROLA	BF 393/TO18	-
Q7	240032	Si NPN TRANSISTOR	MOTOROLA	BF 393/TO18	-
Q8	240032	Si NPN TRANSISTOR	MOTOROLA	BF 393/TO18	-
Q9	240032	Si NPN TRANSISTOR	MOTOROLA	BF 393/TO18	-
Q10	240032	Si NPN TRANSISTOR	MOTOROLA	BF 393/TO18	-
Q11	240032	Si NPN TRANSISTOR	MOTOROLA	BF 393/TO18	-
Q12	240032	Si NPN TRANSISTOR	MOTOROLA	BF 393/TO18	-
Q13	230039 B	P-CHAN JFET	SILICONIX	J175	1
Q14	250011	Si PNP TRANSISTOR	NATIONAL	BC 327/TO18	1
M1	220015	5KV OPTO ISOLATOR	MOTOROLA	M0C1005	1
	512999	7/0.2 PTFE INSULATED WHITE WIRE			A/R
	410285-4	PCB			1
	604003	11 WAY PCB PLUG	AMP	163740-9	5/11
	605066	6 WAY DIL SOCKET			1
	620007	TEST POINT TERMINAL	MICROVAR	TYPE C30	1

NOTES.

SEE SHEET 2 FOR LATEST ISSUE

ISS															
E.C.D.															
DATE															
CHKD															

DATE	datron ELECTRONICS LTD		
DRAWN	TITLE 4700 CONSTANT CURRENT SOURCE PCB ASSY		
CHECKED	DRAWING NUMBER 400563		
APPROVED	4 SHEET OF 4		
DATE			

DRAWING No		CHK'D	DATE	ECO	REVISION	ISSUE
400541						
DI WJM						
		3-0	11-958	3-7-85		
		4-0	2061	6-12-85		
		4-1	2072	11-12-85		
		4-2	2201	10-4-86		
		4-3	2321	11-18-86		
		4-4	2375	5-9-86		
		4-5	2444	6-11-86		
		4-6	2503	16-2-87		
		4-6	2775	6-5-88		

DESCRIPTION	DRAWING NUMBER	SHEET NUMBER	ISSUE - REVISION					
COMP. LAYOUT.	400541	1	3-0	4-0	4-1	4-2	4-3	4-4
FUNCTIONAL TEST PROC.	460541/FT	1	3-0	4-0				4-1
FUNCT. TEST TICK LIST.	470541/FT	1	3-0	4-0				4-1

NOTES	<input type="checkbox"/> INDICATES NO CHANGE TO DOCS AT ISSUE LEVEL CHANGE	<b>datron</b> NORWICH ENGLAND	DRN B JACKSON DATE 3-7-85	CHK'D MSD DATE 9.7.85	APP'D [Signature] DATE 23.7.85	TITLE 4200 MAINS TRANSFORMER ASSY	DRAWING No 400541 SHEET 1 of 3
-------	--	----------------------------------	------------------------------------	--------------------------------	---	---	--------------------------------------

DESIGNATOR	DATRON PART No	DESCRIPTION	PRINCIPAL MANUFACTURER	MANUFACTURER'S PART No	Qty USED (Per Assy)
	00B043	120K 5% SOW AL. W.W.	DALE	RH-50	1
	300023-3	4200 MAINS TRANSFORMER	SIGA	SEE DRG.	1
	450413-2	4200 HV SWITCH BRACKET			1
	450434-4	4200 MAINS TX PLATE.			1
	521006	16/0.2 PVC INSULATED WIRE. GREEN/YELLOW			A/R
	521002	16/0.2 PVC INSULATED WIRE. WHITE/RED.			A/R
	530111	24/0.2 PVC INSULATED WIRE. BROWN.			A/R
	530444	24/0.2 PVC INSULATED WIRE. YELLOW.			A/R
	530555	24/0.2 PVC INSULATED WIRE. GREEN.			A/R
	530666	24/0.2 PVC INSULATED WIRE. BLUE.			A/R
	530999	24/0.2 PVC INSULATED WIRE. WHITE.			A/R
	512999	7/0.2 PTFE INSULATED WIRE. WHITE.			0.35M
	590005	SLEEVING H20 X20 BLACK			10
	590006	SLEEVE HEATSHRINK Ø 2.4			A/R
	590033	SLEEVING H50 X25 BLACK			14
	590031	SLEEVE HEATSHRINK Ø 3.2			A/R
	605052	BWAY 0.1" HOUSING	MOLEX	2201-2085	1
	605057	CRIMP TERMINAL GD PL	MOLEX	4809-G1	2
	605077	CRIMP TERMINAL GD PL	MOLEX	08-56-0106	3
	605141	5WAY 0.156" HOUSING	MOLEX	09-91-0500	1
	605142	9WAY 0.156" HOUSING	MOLEX	09-91-0900	1

NOTES	SEE SHEET 1 FOR LATEST ISSUE	6th MAR 84	<b>datron</b> ELECTRONICS LTD
		B JACKSON	4200
		[Signature]	MAINS TRANSFORMER ASSY
		2.10.84	400541 1 of 3

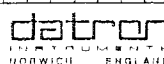
DESIGNATOR	DATRON PART No.	DESCRIPTION	PRINCIPAL MANUFACTURER	MANUFACTURER'S PART No.	No. USED In Assy.
	605136	0.093" MALE CRIMP TERM.GD.	MOLEX	02-09-6123	5
	606010	POLARISING KEY	MOLEX	15-04-0219	4
	604068	6WAY 0.093" PLUG	MOLEX	03-09-2062	1
	606027	POLARISING PIN	MOLEX	15-04-0220	5
	611015	M3x 8mm POZI-CSK STEEL	ZN PL		5
	611081-2	M5x12mm STEEL SCREW.		SEE DRAWING	2
	613005	M3 INT SHAKEPROOF			3
	613009	4BA SOLDER TAG BRASS	TIN PL		5
	613013	M5 FLAT WASHER			2
	615002	M3 FULL NUT STEEL	ZN PL		3
	700093	SWITCH 4P 2P C/O.	ARROW-HART	CTS12 BP4	1

NOTES.

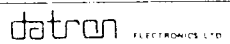
SEE SHEET 1 FOR LATEST ISSUE

ISS											
ECO											
DATE											
CHKD											

DATE	6th MAR 84	datron ELECTRONICS LTD.
DRAWN	B. JACKSON	
CHECKED		TITLE
APPROVED		4200
DATE		MAINS TRANSFORMER ASSY
		DRAWING NUMBER
		400541
		SHEET
		3 OF 3

DRAWING NO. 400651		CHK D				
DATE		1.0	1.1	1.2	1.3	1.4
ECO		1.0 2162 7.3 86 10	1.1 12575 21.4 87 10	1.2 2607 23.6 87 10	1.3 2683 10.0 88 10	1.4 3004 23.1 88 10
APPROVAL						
ISSUE						
DESCRIPTION	DRAWING NUMBER	SHEET NUMBER	ISSUE / REVISION			
COMP LAYOUT	400651	1	1.0	1.1	1.2	1.3
NOTES						
			DATE 22.1.86	DATE 4.3.86	DATE 4.3.86	TITLE 4700 LF TRANSFORMER ASSY
				DRAWING No. 400651 SHEET 1 of 3		

400651

DESIGNATOR	DATRON PART No.	DESCRIPTION	PRINCIPAL MANUFACTURER	MANUFACTURER'S PART No.	No USED Per Assy
	300025-2	L.F. TRANSFORMER	SIGA		1
	450402-2	4200 LF. TX MTG. PLATE			1
	450405-1	4200 LF. TX PLATE SUPPT. BAR.			2
	450408-1	4200 CONN. MTG. BRKT.			1
	540002	BTC WIRE			A/R
	512000	WIRE 7/2 BLACK PTFE	1KV TYPE 'C' INSULATION.		A/R
	512111	WIRE 7/2 BROWN PTFE	1KV TYPE 'C' INSULATION.		A/R
	512220	WIRE 7/2 RD/BK PTFE	1KV TYPE 'C' INSULATION.		A/R
	512330	WIRE 7/2 OE/BK PTFE	1KV TYPE 'C' INSULATION.		A/R
	512333	WIRE 7/2 ORANGE PTFE	1KV TYPE 'C' INSULATION.		A/R
	512444	WIRE 7/2 YELLOW PTFE	1KV TYPE 'C' INSULATION.		A/R
	512555	WIRE 7/2 GREEN PTFE	1KV TYPE 'C' INSULATION.		A/R
	512888	WIRE 7/2 GREY PTFE	1KV TYPE 'C' INSULATION.		A/R
	512999	WIRE 7/2 WHITE PTFE	1KV TYPE 'C' INSULATION.		A/R
	512666	WIRE 7/2 BLUE PTFE	1KV TYPE 'C' INSULATION.		A/R
	512777	WIRE 7/2 VIOLET PTFE	1KV TYPE 'C' INSULATION.		A/R
	560012	1 CORE 1/0.64 CO-AX			A/R
	590003	SLEEVE HEATSHRINK Ø 6.4	RS OR HELLERMANN ELECTRIC	399-524 OR LVR 64	A/R
	590006	SLEEVE HEATSHRINK Ø 2.4	RS OR HELLERMANN ELECTRIC	399-495 OR LVR 24	A/R
	590032	SLEEVE HEATSHRINK Ø 4.8			A/R
	512222	WIRE 7/2 RED PTFE	1KV TYPE 'C' INSULATION.		A/R
	605051	4WAY 0.1" HOUSING	MOLEX	22-01-2045	1
	605052	8WAY 0.1" HOUSING	MOLEX	22-01-2085	1
NOTES					
THE SHEETS FOR LATEST ISSUE 1 2 3 4 22-244-8-3-84 1030 1031 1031 1031 10 10 10 10					
				DATE 22.1.86	TITLE 4700 LF TRANSFORMER ASSY
				DRAWING NUMBER 400651	SHEET 2 of 3


DESIGNATOR	DATRON PART No	DESCRIPTION	PRINCIPAL MANUFACTURER	MANUFACTURER'S PART No	No. USED Per Assy.
	G05057	CRIMP TERMINAL GD PL	MOLEX	4089-GL	4
	G05116-2	32x32WAY PCB EDGE SKT.		SEE DRG. A4.	1
	G11007	M3x6mm POZI-CSK STEEL	ZN PL		7
	G11016	M3x 8mm POZI-PAN STEEL	ZN PL		3
	G11081-2	M5X 12mm TUF LOK HEX HD.		SEE DRG-	2
	G13005	M3 INTERNAL SHAKE PROOF			4
	G13007	M3 WASHER STEEL	ZN PL		1
	G13009	4BA SOLDER TAG BRASS	TIN PL		1
	G13028	M5 INTERNAL SHAKE PROOF			2
	G15002	M3 FULL NUT STEEL	ZN PL		1
	G30004	P CLIP $\phi$ 6.4mm	SES	CNG	1
	G30170	PCB GUIDE	RICHCO	RCG2	2
	900009	LOCKING COMPOUND	LOCTITE	222	A/R
	512992	WIRE 7/2 WH/RED PTFE	1KV TYPE 'C' INSULATION.		A/R
	513001	WIRE 7/2 PINK PTFE	1KV TYPE 'C' INSULATION.		A/R
	512225	WIRE 7/2 RED/GRN PTFE	1KV TYPE 'C' INSULATION.		A/R
	512999	WIRE 7/2 WHITE PTFE	1KV TYPE 'C' INSULATION.		A/R
	512226	WIRE 7/2 RED/BLUE PTFE	1KV TYPE 'C' INSULATION.		A/R

NOTES.

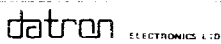
SEE SHEET 1 FOR LATEST ISSUE

ISS																				
EC'D																				
DATE																				
CHK'D																				

DATE	22. 1. 86	datron ELECTRONICS LTD	
DRAWN	JL	TITLE	4700
CHECKED		L.F. TRANSFORMER ASSY	
APPROVED		DRAWING NUMBER	400651
DATE		SHEET	3 OF 3

DRAWING No. 400578		CHKD	DATE		ECO		REVISION		ISSUE	
HI WAI			4.0	1988.3.7.95 MD			4.1	1993.19.7.86 R		
			4.1	2775	6.5.88 LC					
DESCRIPTION	DRAWING NUMBER	SHEET NUMBER	ISSUE / REVISION							
COMP LAYOUT	480578	1	4.0	4.1						
FUNCTIONAL TEST PROC.	460578/FT	1	4.0	4.1						
FUNCT. TEST TICK LIST	470578/FT	1	4.0	4.1						
NOTES					DNN B. JACKSON DATE 3-7-85	CHKD MJD DATE 9.7.85	APPD  DATE	TITLE 4200. HF. TX ASSY	DRAWING No. 400578 SHEET 1 OF 3	

DESIGNATOR	DATRON PART No.	DESCRIPTION	PRINCIPAL MANUFACTURER	MANUFACTURER'S PART No.	No. USED Per Assy
R1	008042	GRB 5% 9W WIREWOUND	WELWYN	W 23	1
	300026-2	HF TRANSFORMER	SIGA	SEE DRG.	1
	410256-6	HF TX MOUNTING PCB.			1
	512222	7/0.2 PTFE INSUL. WIRE	RED		0.35M
	512666	7/0.2 PTFE INSUL. WIRE	BLUE		0.35M
	512000	7/0.2 PTFE INSUL. WIRE	BLACK		0.26M
	512111	7/0.2 PTFE INSUL. WIRE	BROWN		0.31M
	512444	7/0.2 PTFE INSUL. WIRE	YELLOW		0.25M
	512999	7/0.2 PTFE INSUL. WIRE	WHITE		0.21M
	590001	SLEEVING H15X20 BLACK			2
	590005	SLEEVING H20X20 BLACK			3
	590063	295mm CABLE TIE	PANDUIT	PLT 31	1
	605051	4WAY 0.1" HOUSING	MOLEX	22-01-2045	1
	605053	12WAY 0.1" HOUSING	MOLEX	22-01-2125	1
	605057	CRIMP TERMINAL GD. PL	MOLEX	4809-GL	6
	611055	M4x40mm SLOT-PAN BRASS	Ni PL		1
	612029-1	M3x12mm STANDOFF	HARWIN	SEE DRG G12***.	4

NOTES				DATE 26 APR 84			
SEE SHEET 1 FOR PARTS LIST				DNN B. JACKSON DATE 28.9.84		TITLE 4200 HF TRANSFORMER ASSY	
1	2	3	4	DRAWING No. 400578			
RELEASED	1757	1828	1934	SHEET 1 OF 3			
28 SEP 84	15 NOV 84	25 1 85	4 6 85				
MD	MD	K.	RP				



DRAWING No. 400604		CHKD DATE	1-0 2162 26 2 86 1-1 2279 10 6 86 1-2 2333 24 7 86 1-2 2334 30 9 86 1-3 2469 12 26 86 1-3 2539 16 3 87 1-4 2591 11 6 87 1-5 2614 10 7 87 1-6 2623 10 7 87 1-7 2641 19 8 87 2-0 2858 16 6 88 2-1 2955 20 7 88 2-2 2983 27 7 88 2-3 3009 26 8 88		
DESCRIPTION		DRAWING NUMBER	REVISION NUMBER	ISSUE	REVISION
COMPONENT LAYOUT	480604	1	1-0	1-0	
COMPONENT LAYOUT	480604	2	1-1	1-1	
L.P.	400604	ALL	1-2	1-2	
			1-3	1-3	
			1-4	1-4	
			1-5	1-5	
			1-6	1-6	
			1-7	1-7	
			1-8	1-8	
			1-9	1-9	
			2-0	2-0	
			2-1	2-1	
			2-2	2-2	
			2-3	2-3	
SCHEMATIC	430604	1	1-0	1-0	
SCHEMATIC	430604	2	1-1	1-1	
SCHEMATIC	430604	3	1-2	1-2	
SCHEMATIC	430604	4	1-3	1-3	
SCHEMATIC	430604	5	1-4	1-4	
PCB	410361		1-0	1-0	
PCB	410348		2-0	2-0	
			3-0	3-0	
			4-0	4-0	

NOTES:  DENOTES NO CHANGE TO DOC'S AT ISSUE LEVEL CHANGE.

**datron** ELECTRONICS LTD  
123 THE CUMBERBURY HOUSE  
NORWICH ENGLAND

CHKD: A.K. COGGIN  
DATE: 6/3/86

APPR: [Signature]  
DATE: 7.3.86

TITLE: 4700 MOTHER PCB. ASSY.

DRAWING No. 400604  
SHEET 1 OF 10

DESIGNATOR	DATRON PART No.	DESCRIPTION	PRINCIPAL MANUFACTURER	MANUFACTURER'S PART No.	No. USED Per Assy
R1	001822	8k2 5% 1/2W CARBON	MULLARD	CR37	24
R2	001822	8k2 5% 1/2W CARBON	MULLARD	CR37	-
R3	001822	8k2 5% 1/2W CARBON	MULLARD	CR37	-
R4	001822	8k2 5% 1/2W CARBON	MULLARD	CR37	-
R5	001822	8k2 5% 1/2W CARBON	MULLARD	CR37	-
R6	001822	8k2 5% 1/2W CARBON	MULLARD	CR37	-
R7	001822	8k2 5% 1/2W CARBON	MULLARD	CR37	-
R8	001822	8k2 5% 1/2W CARBON	MULLARD	CR37	-
R9	001822	8k2 5% 1/2W CARBON	MULLARD	CR37	-
R10	001822	8k2 5% 1/2W CARBON	MULLARD	CR37	-
R11	001822	8k2 5% 1/2W CARBON	MULLARD	CR37	-
R12	001822	8k2 5% 1/2W CARBON	MULLARD	CR37	-
R13	001822	8k2 5% 1/2W CARBON	MULLARD	CR37	-
R14	001822	8k2 5% 1/2W CARBON	MULLARD	CR37	-
R15	001822	8k2 5% 1/2W CARBON	MULLARD	CR37	-
R16	001822	8k2 5% 1/2W CARBON	MULLARD	CR37	-
R17	001822	8k2 5% 1/2W CARBON	MULLARD	CR37	-
R18	001822	8k2 5% 1/2W CARBON	MULLARD	CR37	-
R19	001822	8k2 5% 1/2W CARBON	MULLARD	CR37	-
R20	001822	8k2 5% 1/2W CARBON	MULLARD	CR37	-
R21	001822	8k2 5% 1/2W CARBON	MULLARD	CR37	-
R22	001822	8k2 5% 1/2W CARBON	MULLARD	CR37	-
R23	001822	8k2 5% 1/2W CARBON	MULLARD	CR37	-

NOTES: SEE SHEET 1 FOR LAYER 15000

**datron** ELECTRONICS LTD  
4700 MOTHER PCB ASSY  
DRAWING No. 400604 SHEET 2 OF 10





DESIGNATOR	DATRON PART No.	DESCRIPTION	PRINCIPAL MANUFACTURER	MANUFACTURER'S PART No.	No. USED Per Assy.
R70	000473	47k 5% 1/3W CARBON	MULLARD	CR25	-
R71	000103	10k 5% 1/3W CARBON	MULLARD	CR25	-
R72	000103	10k 5% 1/3W CARBON	MULLARD	CR25	-
R73	000103	10k 5% 1/3W CARBON	MULLARD	CR25	-
R74	000103	10k 5% 1/3W CARBON	MULLARD	CR25	-
R75	000473	47k 5% 1/3W CARBON	MULLARD	CR25	-
R76	000473	47k 5% 1/3W CARBON	MULLARD	CR25	-
R77	000473	47k 5% 1/3W CARBON	MULLARD	CR25	-
R78	000473	47k 5% 1/3W CARBON	MULLARD	CR25	-
R79	000473	47k 5% 1/3W CARBON	MULLARD	CR25	-
R80	000103	10k 5% 1/3W CARBON	MULLARD	CR25	-
R81	000103	10k 5% 1/3W CARBON	MULLARD	CR25	-
R82	000108	100 5% 1/4W CARBON	MULLARD	CR25	2
R83	000108	100 5% 1/4W CARBON	MULLARD	CR25	-
R84	008035	33R 5% 2 1/2W W.W.	WELWYN	W21	2
R85	008035	33R 5% 2 1/2W W.W.	WELWYN	W21	-
AN1	090090	47k x8 2% NETWORK	AB	761-3-47k	6
AN2	090095	47k x4 2% NETWORK	BECKMAN	L08-3-R47k	3
AN3	090090	47k x8 2% NETWORK	AB	761-3-47k	-
AN4	090095	47k x4 2% NETWORK	BECKMAN	L08-3-R47k	-
AN5	090095	47k x4 2% NETWORK	BECKMAN	L08-3-R47k	-
AN6	090090	47k x8 2% NETWORK	AB	761-3-47k	-

NOTES:

SEE SHEET 2 FOR LATEST ISSUE

ISS																				
ECO																				
DATE																				
CHKD																				

DATE		datron ELECTRONIC LTD	
DRAWN		TITLE	
CHECKED		4700 MOTHER PCB ASSY	
APPROVED		DRAWING NO. 400604	
DATE		SHEET 5 OF 10	

DESIGNATOR	DATRON PART No.	DESCRIPTION	PRINCIPAL MANUFACTURER	MANUFACTURER'S PART No.	No. USED Per Assy.
AN7	090090	47k x8 2% NETWORK	AB	761-3-47k	-
AN8	090090	47k x8 2% NETWORK	AB	761-3-47k	-
AN9	090090	47k x8 2% NETWORK	AB	761-3-47k	-
AN10	090085	12k x8 2% NETWORK	AB	761-3-12k	3
AN11		NOT USED			-
AN12	090085	12k x8 2% NETWORK	AB	761-3-12k	-
AN13	090085	12k x8 2% NETWORK	AB	761-3-12k	-
C1	140045	1µF 20% 1K5V POLYPROP	NORTONICS (MFD)	NSC2027	1
C2	180050	150µF 385V AL. ELECT	MULLARD	052-58151	4
C3	180050	150µF 385V AL. ELECT	MULLARD	052-58151	-
C4	180050	150µF 385V AL. ELECT	MULLARD	052-58151	-
C5	180050	150µF 385V AL. ELECT	MULLARD	052-58151	-
C6	104023	2n2F 20% 1kV CER DISC	ITT	HD16	2
C7	104023	2n2F 20% 1kV CER DISC	ITT	HD16	-
C8	180049	330µF 100V AL. ELECT	ECC	SMVB	2
C9	180049	330µF 100V AL. ELECT	ECC	SMVB	-
C10	110013	100nF 20% 250V POLYESTER	MULLARD	C280AEP100K	2
C11	110013	100nF 20% 250V POLYESTER	MULLARD	C280AEP100K	-

NOTES:

SEE SHEET 2 FOR LATEST ISSUE

ISS																				
ECO																				
DATE																				
CHKD																				

DATE		datron ELECTRONIC LTD	
DRAWN		TITLE	
CHECKED		4700 MOTHER PCB ASSY	
APPROVED		DRAWING NO. 400604	
DATE		SHEET 6 OF 10	

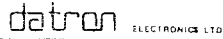


DESIGNATOR	DATRON PART No.	DESCRIPTION	PRINCIPAL MANUFACTURER	MANUFACTURER'S PART No.	Qty. USED Per Assy.
	612004-1	M3 x 4mm STANDOFF	DATRON	SEE DRG	12
	612027-1	M3 x 8mm STANDOFF	DATRON	SEE DRG	10
	617010	NYLATCH PLUNGER 3/16"	HARTWELL CORP	HN3P-32-4-1	20
	617011	NYLATCH GROMMET 3/16"	HARTWELL CORP	HN3G-32-1	20
J26	620005	CLOVERLEAF PTFE INSUL.	SEAELECTRO	FTE1SP59	5
	620006	SOLDER TURRET	HARWIN	H9001-01	86
	620007	TEST POINT TERMINAL	MICROVAR	TYPE C30	9
	630036	STEATITE BEAD 18 SWG	PARK ROYAL PORCELAIN	Nº 1 (SMALL)	4
F1	920116	FUSE 1A 250V 20mm SLO-B	BELLING LEE	L2080A/1	2
F2	920116	FUSE 1A 250V 20mm SLO-B	BELLING LEE	L2080A/1	-
F3	920125	FUSE 2.5A 125V 7mm	LITTLEFUSE	275 02.5	2
F4	920125	FUSE 2.5A 125V 7mm	LITTLEFUSE	275 02.5	-
	920126	FUSE HOLDER 20mm PCB	BELLING LEE	L1426	2
J1	605111	24 + 24 WAY .1" PCB SKT	AMP	2-141592-4	3
	612024-1	M3 X 12.7mm STANDOFF	DATRON	SEE DRG	1
	630024	STEATITE BEAD 16 SWG	PARK ROYAL PORCELAIN	Nº 2 (LARGE)	4
	512333	7/0.2 PTFE INSULATED ORANGE WIRE	WIRE		A/R
	512444	7/0.2 PTFE INSULATED YELLOW WIRE	WIRE		A/R
	512000	7/0.2 PTFE INSULATED BLACK WIRE	WIRE		A/R
	512111	7/0.2 PTFE INSULATED BROWN WIRE	WIRE		A/R
	512222	7/0.2 PTFE INSULATED RED WIRE	WIRE		A/R

NOTES

SEE SHEET 2 FOR LATEST ISSUE

ISS																				
ECO																				
DATE																				
CHKD																				

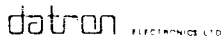
DATE		
DRAWN	/L	
CHECKED		TITLE
APPROVED		4700 MOTHER PCB ASSY
DATE		DRAWING NUMBER
		400604
		SHEET
		9 OF 10

DESIGNATOR	DATRON PART No.	DESCRIPTION	PRINCIPAL MANUFACTURER	MANUFACTURER'S PART No.	Qty. USED Per Assy.
	512666	7/0.2 PTFE INSULATED BLUE WIRE	WIRE		A/R
	512777	7/0.2 PTFE INSULATED VID WIRE	WIRE		A/R
	611016	M3 x 8mm POZI-PAN STEEL	ZN PL		1
	613005	M3 INT. SHAKEPROOF			1
	613029	M3 WAVEY WASHER SS			1
	613019	M3 LARGE WASHER STEEL	ZN PL		1
	615002	M3 FULL NUT STEEL ZN PL			1
	590001	SLEEVE MAX CABLE Ø3	HELLERMANN ELECTRIC	H15 x 20mm BLK HELSYN	2
	620003	SOLDER PIN	HARWIN	H210SA01	2
	630250	CABLE CLIP	RICHCO	SFCC 4A-01	3
	590074	SOLDER SLEEVE Ø 3.0	RAYFAST	CWT-3	2
	630243	GLASS BEAD	MAN SOL (PREFORMS) LTD.	M5363B/3	4
	630270	CABLE TIE MTG. BLOCK	PANDUIT	TMEH-S8-0	1
	630271	HEAVY DUTY CABLE TIE	PANDUIT	PRT2EH	1

NOTES

SEE SHEET 2 FOR LATEST ISSUE


ISS																				
ECO																				
DATE																				
CHKD																				

DATE		
DRAWN	/L	
CHECKED		TITLE
APPROVED		4700 MOTHER PCB ASSY
DATE		DRAWING NUMBER
		400604
		SHEET
		10 OF 10

Doc No. 400830		DOCUMENT LIST. DI/wm		1.0 2858 8.6.88 1.1 3023 27.10.88 1.2 3227 18FEB88	
EX. DESIGNATION	QUANTITY NUMBER	SHEET 1 OF 2	UNITS / VERSION		
4700 INTERCONNECTION PCB	400830 ALL	1.0 1.0	1.0 1.0	1.1 1.1	1.2 1.2
480830	1	1.0	1.0	1.1	1.2
430830	1	1.0	1.0	1.1	1.2
410424	ALL	C 1.0	1.0	1.1	1.2
<input type="checkbox"/> DENOTES NO CHANGE TO QUANT. AT ISSUE LEVEL CHANGE				DATE 25.MAY.88 BY B.S.J. CHECKED A.S. APPROVED DATE 20 JUN 88	TITLE 4700 INTERCONNECTION PCB DRAWING NO. 400830 SHEET 1 OF 2

DESIGNATOR	DATRON PART No.	DESCRIPTION	PRINCIPAL MANUFACTURER	MANUFACTURER'S PART No.	No. USED Per Assy.
	410424-1	PCB			1
	450540-1	CONNECTOR SUPPT. BRACKET			1
	450296-1	EARTH SCREEN			1
Q1	1011031	10K 25% 250V CER DISC	ITT	CD10	1
R3	604033	4 CCT POLARISING WAFER	MOLEX	22-29-2041 GOLD	1
J1, J2	605002	16 WAY DIL SOCKET	CA	CA-105-1050	2
J27	605085	24 WAY PCB MNT RECEPTACLE	AMPHENOL	57-20240-8	1
	612001	M3X6 POZIFAN SCREW	GKN	ZINC PLATED	2
	612004	M3X4 STANDOFF 1/16 PCB	HARWIN	CS 2110-B	2
	612026-1	M3X6 STANDOFF 1/16 PCB		SEE DRG.	2
	613023	M3 CRINKLE WASHER			2
S1	700114	SWITCH 6X1P. DIL	A.B.	706-00651	1
S2	700060	SP3P SLIDE PCB MNT	ALCO	SLS-131-PC	1
S53	700061	EPDT SLIDE PCB MNT	ALCO	SLS-121-PC	1
	611003	STANDOFF 3-3 CLEAR X GIMM BRASS	HARWIN	CS 2117-A	2
	611007	M3X6mm POZI-C5K SCREW	ZN.PL.		2

NOTES.		DATE 25.MAY.88	datron ELECTRONICS LTD																																																																																
SEE SHEET 1 FOR LATEST ISSUE		BY B.S.JACKSON	TITLE 4700 INTERCONNECTION PCB ASSY																																																																																
<table border="1"> <tr> <td>ISS</td> <td>1</td> <td>2</td> <td></td> <td></td> <td></td> <td></td> <td></td> <td></td> <td></td> <td></td> <td></td> <td></td> <td></td> <td></td> <td></td> <td></td> <td></td> <td></td> <td></td> </tr> <tr> <td>REV</td> <td>B</td> <td></td> <td></td> <td></td> <td></td> <td></td> <td></td> <td></td> <td></td> <td></td> <td></td> <td></td> <td></td> <td></td> <td></td> <td></td> <td></td> <td></td> <td></td> </tr> <tr> <td>DATE</td> <td>5-8-81</td> <td>25-3-82</td> <td>11-4-82</td> <td></td> <td></td> <td></td> <td></td> <td></td> <td></td> <td></td> <td></td> <td></td> <td></td> <td></td> <td></td> <td></td> <td></td> <td></td> <td></td> </tr> <tr> <td>BY</td> <td></td> <td></td> <td></td> <td></td> <td></td> <td></td> <td></td> <td></td> <td></td> <td></td> <td></td> <td></td> <td></td> <td></td> <td></td> <td></td> <td></td> <td></td> <td></td> </tr> </table>		ISS	1	2																		REV	B																			DATE	5-8-81	25-3-82	11-4-82																	BY																				CHECKED A.S. APPROVED DATE	DRAWING NUMBER 400830 SHEET 2 OF 2
ISS	1	2																																																																																	
REV	B																																																																																		
DATE	5-8-81	25-3-82	11-4-82																																																																																
BY																																																																																			

DRAWING NO 400640		CH/D		
DATE		1.0 2162 25286 R/S		
ECO		1.1 2301 18766 R/S		
REVISION		1.2 2324 24786 R/S		
ISSUE				
DESCRIPTION	DRAWING NUMBER	SHEET NUMBER	ISSUE - REVISION	
COMP LAYOUT	480640	1	1.0	1.1 1.2
SCHEMATIC	430640	1	1.0	
PCB	410309	-	5.0	6.0
NOTES				DRN B.S. JACKSON DATE 12 FEB. 86
		CH/D A.K. COGGAN DATE 25/2/86		APP'D 27 DATE 33.86
		TITLE 4700 TERMINAL PCB ASSY		DRAWING No. 400640 SHEET 1 OF 3

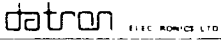
400640

SIGNATOR	DATRON PART No	DESCRIPTION	PRINCIPAL MANUFACTURER	MANUFACTURER'S PART No	No USED Per Assy
1	120037	330pF 20% 400V POLYCARB	WIMA	FKC3	1
2	104037	22pF 10% 2KV CER DISC	STC	HD10	2
3	104037	22pF 10% 2KV CER DISC	STC	HD10	-
4	104032	220pF 10% 2KV CER DISC	STC	HD10	3
5	104032	220pF 10% 2KV CER DISC	STC	HD10	-
6	104032	220pF 10% 2KV CER DISC	STC	HD10	-
1	370027	47µH RF CHOKE	SIGMA	SC30-10-2533-10	2
2	370027	47µH RF CHOKE	SIGMA	SC30-10-2533-10	-
L1	330029	RELAY 2P2W	SDS	DS2E DC 24V	-
	400576-2	FRONT OUTPUT CABLE ASSY			2
B1	920181	FERRITE BEAD	MULLARD	FX4029	2
B2	920181	FERRITE BEAD	MULLARD	FX4029	-
B3	920145	FERRITE BEAD	MULLARD	FX4026	4
B4	920145	FERRITE BEAD	MULLARD	FX4026	-
B5	920145	FERRITE BEAD	MULLARD	FX4026	-
B6	920145	FERRITE BEAD	MULLARD	FX4026	-
	410309	P.C.B.			1
	450269-1	TERMINAL PLATE	DATRON	SEE DRAWING A4	1
	540002	22 SWG TINNED CU WIRE			A/R
	590032	HEATSHRINK SLEEVING	4 BØ		A/R
	620003	SOLDER PIN	HARWIN	H2105A01	13

NOTES

SEE SHEET 2 FOR LATEST ISSUE



DATE 12 FEB 86	 TITLE <b>TERMINAL BOARD ASSEMBLY</b> DRAWING NUMBER 400640	SHEET 2 OF 3
CHECKED B.S. JACKSON		
APPROVED		
DATE		

DESIGNATOR	DATRON PART No.	DESCRIPTION	PRINCIPAL MANUFACTURER	MANUFACTURER'S PART No.	No. USED Per Assy.
400640					
	400686-1	SAFETY TERMINAL ASSY. BLACK	DATRON	SEE DRAWING A4	1
	400687-1	SAFETY TERMINAL ASSY. RED	DATRON	SEE DRAWING A4	1
	400688-1	SAFETY TERMINAL ASSY. BRN	DATRON	SEE DRAWING A4	1
	400689-1	SAFETY TERMINAL ASSY. BLU.	DATRON	SEE DRAWING A4	1
	400690-1	SAFETY TERMINAL ASSY. WHI	DATRON	SEE DRAWING A4	1
	400691-1	SAFETY TERMINAL ASSY. GRN.	DATRON	SEE DRAWING A4	1
	613009	M3 SOLDER TAG.			1
	613021	M4 SHAKEPROOF WASHER.			12
	613020	M4 WASHER STEEL	ZN PL		6
	613039	M2 SOLDER TAG.	ROSS COURTNEY	201002	1
	400184	EARTH BRAID ASSY	DATRON		1
	512999	7/0.2 PTFE INSUL. WHITE	WIRE		0.18M
	521006	16/0.2 PVC INS. GRN/YLW	WIRE		A/R
	590001	SLEEVE $\phi$ 3.0	HELLERMANN.	H15 X 20	7
	590006	HEATSHRINK SLEEVE $\phi$ 2.4			A/R
	512444	7/0.2 PTFE INSUL. YELLOW	WIRE		0.14M
	512838	7/0.2 PTFE INSUL. GREY.	WIRE.		0.14M
	590003.	HEATSHRINK SLEEVE $\phi$ 6.4			A/R
	590017	HEATSHRINK CABLE MARKER ('1')			1
	590018	HEATSHRINK CABLE MARKER ('2')			1

NOTES.


SEE SHEET 2 FOR LATEST ISSUE

ISS																				
ECO																				
DATE																				
CHKD																				

DATE	12. FEB. 86.	datron ELECTRONICS LTD	
DR. BY	B.S. JACKSON	TITLE	
CHECKED		TERMINAL BOARD ASSEMBLY.	
APPROVED		DRAWING NUMBER	400640
DATE		SHEET 3 OF 3	





DRAWING NO. <b>LD 400859</b>		ISSUE	DATE	BY
DOCUMENT LIST		ISSUE	DATE	BY
DESCRIPTION		ISSUE	DATE	BY
DRAWING NUMBER		SHEET NUMBER	DATE	
PARTS LIST		ISSUE	DATE	BY
ASSEMBLY DRAWING		ISSUE	DATE	BY
CIRCUIT DIAGRAM		ISSUE	DATE	BY
TEST PROCEDURE		ISSUE	DATE	BY
TEST SPECIFICATION		ISSUE	DATE	BY
PCB		ISSUE	DATE	BY
NOTES		 DFN MA DATE 2.SEP.88 DSN 23.09.88 DSN 23.09.88 TITLE 4708 MAIN ASSY		
<input type="checkbox"/> DENOTES NO CHANGE TO EXCS AT ISSUE LEVEL CHANGE		DRAWING NO. LD 400859 SHEET 1 OF 1		

DATRON INSTRUMENTS LTD PARTS LIST 06-Mar-89 DSSC: ASSY MAIN 4708 DRG NO: LP400859-1 REV: 2 PAGE 001 OF 01

DESIG	PART NO	DESCRIPTION	PRINC MANUF	MANUF PART NUMBER	CLASS	UM	QUANTITY	CHANGES
	400537-2	ASSY PCB HV	DATRON	SEE DRG			EA 1	
	400539-7	ASSY HS PA NEG 4200	DATRON	SEE DRG			EA 1	
	400540-6	ASSY HS PSU/I 4200	DATRON	SEE DRG			EA 1	
	400554-4	ASSY PCB P/S IN GUARD 4200	DATRON	SEE DRG			EA 1	
	400561-2	ASSY PCB P/S OUT GUARD 4200	DATRON	SEE DRG			EA 1	
	400618-5	ASSY PCB PA 4XXX	DATRON	SEE DRG			EA 1	
	400637-1	ASSY HS PA POS 4700	DATRON	SEE DRG			EA 1	
	400648-1	ASSY PCB ANALOGUE INTF 4700	DATRON	SEE DRG			EA 1	
	400653-1	ASSY PCB JBY PSU 4700	DATRON	SEE DRG			EA 1	
	400860-1	ASSY SINE SOURCE 4708	DATRON	SEE DRG			AR 1	
	400861-1	ASSY DC 4708	DATRON	SEE DRG			AR 1	
	400862-1	ASSY AC 4708	DATRON	SEE DRG			AR 1	
	400863-1	ASSY CHASSIS 4708	DATRON	SEE DRG			EA 1	
	400864-1	ASSY DIGITAL 4708	DATRON	SEE DRG			EA 1	
	400865-1	ASSY REFERENCE DIVIDER 4708	DATRON	SEE DRG			EA 1	
	400909-1	ASSY PCB OUTPUT CONTROL 4708	DATRON	SEE DRG			AR 1	
	410288-1	PCB CURRENT/OHMS LINK		SEE DRG			EA 1	
	420103	TEMP IND LABEL 37-65 DEG C	THERMOGRAPHIC	RANGE A		A	EA 1	
	420104	TEMP IND LABEL 71-110 DEG C	THERMOGRAPHIC	THERMAX RANGE B		A	EA 1	
	450414-2	EARTH SHEET		SEE DRG			EA 1	
	450415-2	GUARD SHEET ALUM		SEE DRG			EA 1	
	450430-2	HEATSINK RETAINER 4200		SEE DRG			EA 1	
	510222	WIRE 7/0.2 PVC INSULATED RED					AR 1	
	590001	SLEEVE NP 1.5 X 20MM BLK	HELLERMANN	H15			EA 1	
	590002	SLEEVE NP 3 X 25MM BLK	HELLERMANN	H30			EA 1	
	611005	SCREW M3 X 13 POSIPAN SZP					EA 1	
	611007	SCREW M3 X 6 POSIPAN SZP					EA 1	
	611012	SCREW M3 X 12 POSIPAN SZP					EA 6	
	611058	SCREW M4 X 8 POSIPAN SZP					EA 20	
	611076	SCREW M3 X 6 SLOT PAN SZP					EA 12	
	613005	WASHER M3 INT SHAKPROOF					EA 1	
	630122	PCB EJECTOR BLUE	RICHCO	CBE			EA 1	
	900016	CLEANING FLUID	RS	556-654			AR 1	
	920101-1	BATTERY LITHIUM AA	DATRON	560 DRG		A	EA 1	

End

LD400863

DATE

DATE

DATE

DATE

DATE

DATE

DATE

DATE

DATE

DATE

DATE

DATE

DATE

DATE

DATE

DATE

DATE

DATE

DATE

DATE

DATE

DATE

DATE

DATE

DATE

DATE

DATE

DATE

DATE

DATE

DATE

DATE

DATE

DATE

DATE

DATE

DATE

DATE

DATE

DATE

DATE

DATE

DATE

DATE

DATE

DATE

DATE

DATE

DATE

DATE

DATE

DATE

DATE

DATE

DATE

DATE

DATE

DATE

1.0 3205 8 MAR 89  
1.1 3244 8 MAR 89

ISSUE NO.	ISSUE DATE	ISSUE DESCRIPTION
1	1.0	1.0 3205 8 MAR 89
2	1.1	1.1 3244 8 MAR 89

ISSUE NO.	ISSUE DATE	ISSUE DESCRIPTION
1	1.0	1.0 3205 8 MAR 89
2	1.1	1.1 3244 8 MAR 89



DATE 6 JAN 89

DATE 8 MAR 89


4708 CHASSIS ASSY

LD 400863

DATRON INSTRUMENTS LTD PARTS LIST 08-Mar-89 DESC: ASSY CHASSIS 4708

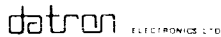
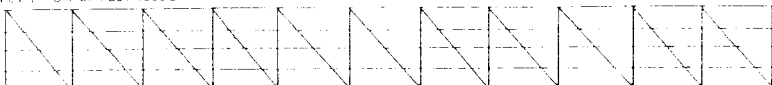
DESIGN	PART NO	DESCRIPTION	PRINC MANUF	MANUF PART NUMBER	CLASS	UN	QUANTITY	ISSUED
	400462-4	ASSY CABLE MAINS SWITCH	DATRON	SEE DR 1				
	400463-2	ASSY CABLE DIGITAL PSU	DATRON	SEE DR 1				
	400471-1	ASSY RIBBON CABLE	DATRON	SEE DR 1				
	400541-4	ASSY MAINS TRANSF	DATRON	SEE DR 1				
	400558-1	ASSY PCB FRONT 4700	DATRON	SEE DR 1				
	400560-1	ASSY CABLE IN/GU PSU 4200	DATRON	SEE DR 1				
	400578-4	ASSY HF TRANSF	DATRON	SEE DR 1				
	400604-2	ASSY PCB MOTHER 4700	DATRON	SEE DR 1				
	400636-2	ASSY REAR PANEL 4700	DATRON	SEE DR 1				
	400640-1	ASSY PCB TERMINAL 47XX	DATRON	SEE DR 1				
	400651-1	ASSY LF TRANSF	DATRON	SEE DR 1				
	450265-4	CHASSIS MOULDED		SEE DR 1				
	450271-1	FILTER GRILLE		SEE DR 1				
	450272-1	TRANSF BOLT PLATE		SEE DR 1				
	450277-1	FOAM FILTER		SEE DR 1				
	450280-1	HANDLE		SEE DR 1				
	450293-1	PCB SUPPORT		SEE DR 1				
	450300-1	REAR SPACE		SEE DR 1				
	450301-2	EARTH BRACKET		SEE DR 1				
	450310-1	SIDE EXTRUSION RH		SEE DR 1				
	450311-1	SIDE EXTRUSION LH		SEE DR 1				
	450316-1	P.S. GUARD SCREEN		SEE DR 1				
	450406-1	40V PSU BRACKET		SEE DR 1				
	450414-2	EARTH SHEET		SEE DR 1				
	450418-1	SPACER M5 BOLT		SEE DR 1				
	450431-1	HEATSINK GUARD SCREEN 4200		SEE DR 1				
	450436-1	PLATE TRANSFORMER ROLT		SEE DR 1				
	450446-1	PCB GUARD SCREEN ALUM		SEE DR 1				
	450447-1	PCB EARTH SCREEN		SEE DR 1				
	450452-1	CABLE BRIDGE		SEE DR 1				
	450467-1	FOAM GASKET		SEE DR 1				
	450477-1	PCB EARTH SCREEN		SEE DR 1				
	450478-1	FRONT PANEL 4700		SEE DR 1				
	450542-1	MADE IN ENGLAND BADGE		SEE DR 1				
	450549-1	PCB GUARD SCREEN STEEL		SEE DR 1				
	450550-1	GUARD SHEET STEEL		SEE DR 1				
	510999	WIRE 27.0 PVC INSULATED WHITE		SEE DR 1				
	540009	WIRE BRAID 1/8" TINNED CN	REAR BRANDING INT	11 5 11 11				
	590002	SLEEVE HS. 6.4mm YLW	R S O MICHIGAN	145 145				
	590026	SLEEVE HS. 2.4mm YLW	R S O MICHIGAN	145 145				
	590007	LACING TAPE 2.5MM	ALPHA	145 145				
	590013	STU CABLE TIE 32mm	MS	145 145				
	590032	SLEEVE HS. 4.3mm YLW	R S O MICHIGAN	145 145				
	606005	SOCKET CLIP PH. 16-WAY	MS	145 145				
	611094	SCREW M3 X 6 POZIHAN RCP		145 145				

QTY	PART NO	DESCRIPTION	LINE MARK	PART NUMBER	CLASS OR QUANTITY RANGE
	611004	SCREW M3 X 10 192110M ZNP			EA 1
	611006	SCREW M3 X 10 192110K ZNP			EA 1
	611015	SCREW M3 X 8 192110K ZNP			EA 2
	611016	SCREW M3 X 8 192110H ZNP			EA 2
	611023	SCREW M2 X 10 192110M ZNP			EA 2
	611038	SCREW M4 X 12 192110K ZNP	10110		EA 1
	611047	SCREW M3 X 10 192110M ZNP			EA 4
	611047	SCREW M3 X 10 192110K ZNP			EA 2
	611051	SCREW M3 X 10 192110H ZNP			EA 1
	611053	SCREW M2 X 6 192110K ZNP			EA 1
	611075	SCREW M4 X 12 192110K ZNP			EA 2
	610001	WASHER M3 DTP CHAKRABORI			EA 1
	610002	WASHER M3 PLAIN ZNP			EA 2
	610003	WASHER M3 A PA DTP			EA 1
	610011	WASHER M3 ZNP			EA 1
	610014	WASHER M3 S DTP CHAKRABORI			EA 1
	610017	WASHER M3 ZNP			EA 1
	610027	WASHER M3 DTP CHAKRABORI			EA 1
	610028	WASHER M3 DTP CHAKRABORI			EA 1
	610029	WASHER M3 WAZZ ZNP			EA 2
	610030	WASHER 150000 M3 ZNP		REF 001	EA 1
	610032	REF M3 DTP ZNP			EA 4
	610033	REF 150000 M3 ZNP			EA 1
	610034	REF NUT M3 ZNP			EA 1
	610035	REF NUT M3 ZNP			EA 4
	610036	REF NUT M3 ZNP			EA 1
	612003	BEVEL PIN 3.15 D3MM HD	GEORGE BUCKER EYELET	TALZU 15/10	EA 1
	600000	CLIP 15 X 1.5	REF	CHC	EA 1
	600001	CLIP 15 X 1.5	REF	CNC	EA 1
	600020	CLIP 15 X 1.5	IM	Z08	EA 1
	600029	TAPE 1.5" X 1.5" DRILLED	IM	4032	EA 1
	600032	CLIP CARBIDE	RECHRO	CLC 1	EA 1
	600112	TAPE 15X15MM KATANA 1.5W	IM	5413	EA 1
	600187	TAPE 15MM 6mm X 2mm WIDE	TEGA	TR2AM011 76174003	NR 1
	600168	TAPE 15X15MM 5mm WIDE	IM	603	NR 1
	600175	PTH CARD HOLDER	RECHRO	RC01	EA 2
	900000	LOCKING COMPONENT	LOCKITE	222	NR 1

DRAWING No <b>400636</b>		CHKD	DATE	ECC	REVISION	ISSUE														
		1-012162 25.2.86 (P)	1.1 2472 8.12.86 (S)	1.2 2577 21.4.87 (S)	1.3 2591 11.6.87 (S)	2.0 2858 8.6.88 (S)	2.1 2955 20.7.88 (S)	2.2 2978 23.8.88 (S)	2.3 3157 13.JAN.89 (S)											
DESCRIPTION	DRAWING NUMBER	SHEET NUMBER	ISSUE - REVISION																	
COMPONENT LAYOUT	480636	1	1-0	1-1	1-2	1-3	2-0	2-1	2-1.2.2	2-2										
L.P.	400636	ALL																		
NOTES			 <small>123456789101112</small> NORWICH ENGLAND		DPN DATE 13.8.85	CHKD DATE 24.12.85	APPD DATE 7.3.86	TITLE 4700 REAR PANEL ASSY	DRAWING No 400636 SHEET 1 of 4											

400636

DESIGNATOR	DATRON PART No.	DESCRIPTION	PRINCIPAL MANUFACTURER	MANUFACTURER'S PART No.	Qty USED Dir Assy
	400184-2	TAG + BRAID ASSY			1
	400830-1	INTERCONNECTION PCB ASSY	DATRON		1
	400641-1	CAL. I/O PORT CABLE ASSY	DATRON		1
	450682-1	REAR PANEL			1
	450309-2	IEEE MOUNTING SCREW			2
	512333	7/2 PTFE INS (ORANGE) WIRE			450mm
	512555	7/2 PTFE INS (GREEN) WIRE			180mm
	512999	7/2 PTFE INS (WHITE) WIRE			770mm
	530000	24/2 PVC INS (BLACK) WIRE			100mm
	530111	24/2 PVC INS (BROWN) WIRE			110mm
	530222	24/2 PVC INS (RED) WIRE			120mm
	530333	24/2 PVC INS (ORANGE) WIRE			120mm
	530444	24/2 PVC INS (YELLOW) WIRE			110mm
	530555	24/2 PVC INS (GREEN) WIRE			130mm
	530666	24/2 PVC INS (BLUE) WIRE			110mm
	530777	24/2 PVC INS (VIOLET) WIRE			115mm
	530888	24/2 PVC INS (GREY) WIRE			120mm
	530999	24/2 PVC INS (WHITE) WIRE			110mm
	560002	Ø2.5 7/34 ANG COPPER COVERED STEEL CO-AX			800mm

NOTES		DATE 22.11.85	 <small>ELECTRONICS LTD</small>	
SEE SHEET 1 FOR LATEST ISSUE		DRAWN L	TITLE 4700 REAR PANEL ASSY	
		CHECKED MD	DRAWING NUMBER 400636	
		APPROVED	SHEET 2 of 4	
		DATE		

400636

DESIGNATOR	DATRON PART No.	DESCRIPTION	PRINCIPAL MANUFACTURER	MANUFACTURER'S PART No.	No USED Per Assy.
	590001	SLEEVE MAX. CABLE $\phi$ 3.0	HELLERMANN ELECTRIC	HIS X20 BLK. HELSYN	5
	590029	HEATSHRINK SLEEVE. POLYOLEFIN $\phi$ 3	HELLERMANN	SFM9-3BK	55 mm
	590031	HEATSHRINK $\phi$ 3.2 YELLOW			290 mm
	590005	SLEEVE MAX CABLE $\phi$ 4.0	HELLERMANN ELECTRIC	H20X20 BLK. HELSYN.	5
	601001	BNC 50 $\Omega$ BULKHEAD SKT.	GREENPAR	GE35027S	1
	590006	HEATSHRINK SLEEVE $\phi$ 2.4			A/R.
	605051	4-WAY POLARISED SOCKET	MOLEX	22-01-2045	1
	605057	CRIMP TERMINAL	MOLEX	4809-GL	2
	605135	6-WAY CHASSIS MNT. 0.093" SKT.	MOLEX	03-09-1061	2
	605136	0.093" MALE CRIMP TERM. GD.	MOLEX	02-09-6123	5
	605137	0.093" FEMALE CRIMP TERM. GD.	MOLEX	02-09-5123	5
	590074	SOLDER SLEEVE $\phi$ 3.0	RAYFAST	CWT-3	2
	606013	'D' CONN. JACKSCREW	T+B ANSLEY	609-004	2
	606014	'D' CONN. JACK SOCKET	T+B ANSLEY	609-006	2
	611005	SCREW M3 X 12mm STEEL	POZIPAN ZINC PLATED	GKN	1
	611016	SCREW M3 X 8mm STEEL	POZIPAN ZINC PLATED	GKN	2
	611017	SCREW M3 X 16mm STEEL	POZIPAN ZINC PLATED	GKN	2
	611049	SCREW M4 X 20mm STEEL	POZIPAN ZINC PLATED	GKN	4
	613005	WASHER M3 INT./SHAKEPROOF	STEEL ZINC PLATED	GKN	5
	613009	SOLDER TAG 48A			3

NOTES.

SEE SHEET 2 FOR LATEST ISSUE

ISS																			
ECD																			
DATE																			
CHKD																			

DATE	22.11.85	datron ELECTRONICS LTD	
DRAWN	IL	TITLE	4700
CHECKED	ID		REAR PANEL ASSY
APPROVED		DRAWING NUMBER	400636
DATE		SHEET	3 OF 4

400636

DESIGNATOR	DATRON PART No.	DESCRIPTION	PRINCIPAL MANUFACTURER	MANUFACTURER'S PART No.	No USED Per Assy.
	560008-3	4 CORE PTFE SCREENED CABLE		SEE DRG	0.47M
	613021	M4 INT. SHAKEPROOF			4
	590076	SOLDER SLEEVE $\phi$ 7.3	RAYFAST	CWT-7	1
	615002	M3 FULL NUT STEEL ZN PL			1
	615011	M4 FULL NUT STEEL ZN PL			4
	630099	MASKING TAPE 25mm	3M	N 230	A/R.
	630133	HOLE PLUG 1/4" BLACK	HEYCO	DP250	6
	700071-1	SWITCH 1POLE KEY		SEE DRG	1
	900009	LOCKING COMPOUND	LOCTITE	270	A/R
	920150	FAN 119mm 115V BALL-B	REDPOINT.	RCF 162/115	1
	920086	POWER INPUT MODULE	POTTER	7100-0002	1
	920098	FUSE 3A 250V 1/4" SLO-B	LITTLEFUSE	313 003	1
J56	605181	6-WAY CHASSIS MTG. SOCKET	LEMO	EGG-2B-306CNL	1
J56	606034	CHASSIS MTG. DUST COVER	LEMO	BRR-2S-200PZSG	1

NOTES.


SEE SHEET 2 FOR LATEST ISSUE

ISS																			
ECD																			
DATE																			
CHKD																			

DATE	22.11.85	datron ELECTRONICS LTD	
DRAWN	IL	TITLE	4700
CHECKED	ID		REAR PANEL ASSY
APPROVED		DRAWING NUMBER	400636
DATE		SHEET	4 OF 4

DRAWING NO <b>400603</b>	CHK'D	3-0 1958 11.7.85 <b>MD</b>
	DATE	3-1 2150 21.5.86 <b>MD</b>
	ECO	3-2 2318 11.7.86 <b>MD</b>
	REVISION	3-3 2301 18.7.86 <b>MD</b>
	ISSUE	3-4 2465 19.11.86 <b>MD</b>
		3-5 2707 17.1.88 <b>MD</b>
		3-6 3205 12.3.89 <b>MD</b>

DESCRIPTION	DRAWING NUMBER	SHEET NUMBER	ISSUE - REVISION
COMP LAYOUT	480603	1	3-0 3-0 3-0 3-0
COMP LAYOUT	480603	2	3-1 3-1 3-1 3-1
COMP LAYOUT	480603	3	3-2 3-2 3-2 3-2
COMP LAYOUT	480603	4	3-3 3-3 3-3 3-3
COMP LAYOUT	480603	5	3-4 3-4 3-4 3-4
COMP LAYOUT	480603	6	3-5 3-5 3-5 3-5
COMP LAYOUT	480603	7	3-6 3-6 3-6 3-6

NOTES		DRN <b>B. JACKSON</b>	CHK'D <b>MD</b>	APP'D <b>MS</b>	TITLE <b>4200/4700/4705/4707</b>	DRAWING NO <b>400603</b>
		DATE <b>11 JULY 85</b>	DATE <b>26.7.85</b>	DATE <b>22.12.88</b>	OPTION FITTING	SHEET 1 of 1

# TERMS AND CONDITIONS OF SALE

## 1. GENERAL

The acceptance of a quotation, of any goods supplied, advice given or service rendered includes the acceptance of the following terms and conditions and no variation of or addition to the same shall be binding upon us unless expressly agreed in writing by us. Any order shall be subject to our written acceptance.

## 2. QUOTATION

Unless previously withdrawn our quotation is open to acceptance in writing within the period stated or where no period is stated within thirty (30) days after its date. We reserve the right to correct any errors or omissions in our quotation. Unless otherwise stated all quotations are firm and fixed. The prices quoted are based on manufacture of the quantity and type ordered and are subject to revision when interruptions, engineering changes or changes in quantity are caused or requested by the customer.

## 3. LIABILITY FOR DELAY

Any delivery times quoted are from the date of our written acceptance of any order and on receipt of all information and drawings to enable us to put the work in hand. Where delivery is to take place by instalments each such instalment shall constitute a separate contract. We will use our best endeavours to complete delivery of the goods or services in the period stated but accept no liability in damages or otherwise for failure to do so for any cause whatsoever. In all cases of delay the delivery time shall be extended by reasonable period having regard to the cause of delay.

## 4. PAYMENT

Payment shall be made net cash within thirty (30) days of delivery or in accordance with the payment terms set out in the quotation. Unless specifically stated to the contrary payment shall be in pounds sterling. In the event of any payment to us being overdue we may without prejudice to any other right suspend delivery to you or terminate the contract and/or charge you simple interest on overdue amounts at the rate of 2.5% above the ruling Bank of England Minimum Lending Rate. No payment to us shall in any circumstance be offset against any sum owing by us to you whether in respect of the present transaction or otherwise.

## 5. INSPECTION & TEST

All goods are fully inspected at our works and where practicable subjected to our standard tests before despatch. If tests are required to be witnessed by your representative notice of this must be given at the time of placing the order and notice of readiness will then be given to you seven (7) days in advance of such tests being carried out. In the event of any delay on your part in attending such tests or in carrying out inspection by you after seven (7) days notice of readiness the tests will proceed in your absence and shall be deemed to have been made in your presence and the inspection deemed to have been made by you. In any event you shall be required promptly after witnessing a test or receiving test results of witnessed or unwitnessed tests to notify us in writing of any claimed defects in the goods or of any respect in which it is claimed that the goods do not conform with the contract. Before you become entitled to reject any goods we are to be given reasonable time and opportunity to rectify them. You assume the responsibility that the goods stipulated by you are sufficient and suitable for your purpose and take all steps to ensure that the goods will be safe and without risk to health when properly used. Any additional certification demanded may incur extra cost for which a special quotation will be issued.

## 6. DELIVERY AND PACKING

All shipments are, unless otherwise specifically provided, Ex-works which is the address given on the invoice. An additional charge will be made for carriage and insurance as necessary with the provision that all shipments shall be insured and this insurance expense shall be paid by the purchaser. Where special domestic or export packing is specified a charge will be made to cover the extra expense involved.

## 7. DAMAGE IN TRANSIT

Claims for damage in transit or loss in delivery of the goods will only be considered if the carriers and ourselves receive notice of such damage within seven (7) days of delivery or in the event of loss of goods in transit within fourteen (14) days of consignment.

## 8. TRANSFER OF PROPERTY & RISK

Title and property of the goods shall pass when full payment has been received of all sums due to us whether in respect of the present transaction or not. The risk in the goods shall be deemed to have passed on delivery.

## 9. WARRANTY

We agree to correct, either by repair, or at our election, by replacement, any defects of material or workmanship which develop within the warranty period specified in the sales literature or quotation after delivery to the original purchaser. All items claimed defective must be promptly returned to us carriage paid unless otherwise arranged and will be returned to you free of charge. Unless otherwise agreed no warranty is made concerning components or accessories not manufactured by us. We will be released from all obligations under warranty in the event of repairs or modifications made by persons other than our own authorised service personnel unless such repairs are made with our prior written consent.

## 10. PATENTS

We will indemnify you against any claim of infringement of Letters Patent, Registered Design, Trade Mark or Copyright (published at the date of the contract) by the use or sale of any goods supplied or service rendered by us to you and against all costs and damages which you may incur and for which you may become liable in any action for such infringement. Provided always that this indemnity shall not apply to any infringement which is due to our having followed a design or instruction furnished or given by you or to the use of such goods or service in association or combination with any other article, material or service not supplied by us. This indemnity is conditional on your giving to us the earliest possible notice in writing of any claim being made or action threatened or brought against you and on your permitting us at our own expense to conduct litigation that may ensue and all negotiations for a settlement of the claim or action. You on your part warrant that any design or instruction furnished or given by you shall not cause us to infringe any Letter Patent, Registered Design, Trade Mark or Copyright in the execution of your order.

## 11. DOCUMENTATION

All drawings, plans, designs, software specifications, manuals and technical documents and information supplied by us for your use or information shall remain at all times our exclusive property and must not be copied, reproduced, transmitted or communicated to a third party without our prior written consent.

## 12. FRUSTRATION

If any contract or any part of it shall become impossible of performance or otherwise frustrated we shall be entitled to a fair and reasonable proportion of the price in respect of the work done up to the date thereof. For this purpose any monies previously paid by you shall be retained against the sum due to us under this provision. We may dispose of the goods as we think fit due allowance being made to you for the net proceeds thereof.

## 13. BANKRUPTCY

If the purchaser shall become bankrupt or insolvent, or being a Limited Company commence to be wound up or suffer a Receiver to be appointed, we shall be at liberty to treat the contract as terminated and be relieved of further obligations. This shall be without prejudice to our right to claim for damages for breach of contract.

## 14. LEGAL INTERPRETATION

Any contract will be deemed to be made in England and shall be governed and construed for all purposes and in all respects in accordance with English Law and only the Courts of England shall have jurisdiction.

COUNTRY and REPRESENTATIVE	Telephone	Telex	Fax
<b>UNITED KINGDOM</b>			
<b>Datron Instruments Ltd</b> Hurricane Way, Norwich Airport, Norwich, Norfolk NR6 6JB, England	0603 404824	975173	0603 483670
<b>UNITED STATES of AMERICA</b>			
<b>Datron Instruments Inc</b> c/o Wavetek RF Products Inc. 5808 Churchman Bypass, Indianapolis, Indiana 46203	(317) 787 3915	TWX (810) 341 3226	(317) 788 5999
<b>Wavetek Northeast Area Sales</b> 1 Executive Blvd. Suite 206, Suffern New York 10901	(914) 357 5544		(914) 357 5609
<b>Wavetek Western Area Sales</b> 9045 Balboa Avenue, San Diego, California 92123	(619) 565 9234	TWX (910) 335 2007	(619) 565 9558

**For customers in countries not listed please contact DATRON INSTRUMENTS in the United Kingdom:**

<b>Datron Instruments Ltd</b> Hurricane Way, Norwich Airport, Norwich, Norfolk NR6 6JB, England	0603 404824	975173	0603 483670
---	-------------	--------	-------------



DESCRIPTION	DRAWING NUMBER	SHEET NUMBER	DATE																																																																																																																																																																																																																																																																																																																																																																																																																																																																																																																																																																																																																																																																																																																																																																																																																																																																																																																																																																																																																																																																																																																																																																																																																																																																																																																																																																							
			8.0	8.1	8.2	8.3	8.4	8.5	8.6	8.7	8.8	8.9	9.0	9.1	9.2	9.3	9.4	9.5	9.6	9.7	9.8	9.9	10.0	10.1	10.2	10.3	10.4	10.5	10.6	10.7	10.8	10.9	11.0	11.1	11.2	11.3	11.4	11.5	11.6	11.7	11.8	11.9	12.0	12.1	12.2	12.3	12.4	12.5	12.6	12.7	12.8	12.9	13.0	13.1	13.2	13.3	13.4	13.5	13.6	13.7	13.8	13.9	14.0	14.1	14.2	14.3	14.4	14.5	14.6	14.7	14.8	14.9	15.0	15.1	15.2	15.3	15.4	15.5	15.6	15.7	15.8	15.9	16.0	16.1	16.2	16.3	16.4	16.5	16.6	16.7	16.8	16.9	17.0	17.1	17.2	17.3	17.4	17.5	17.6	17.7	17.8	17.9	18.0	18.1	18.2	18.3	18.4	18.5	18.6	18.7	18.8	18.9	19.0	19.1	19.2	19.3	19.4	19.5	19.6	19.7	19.8	19.9	20.0	20.1	20.2	20.3	20.4	20.5	20.6	20.7	20.8	20.9	21.0	21.1	21.2	21.3	21.4	21.5	21.6	21.7	21.8	21.9	22.0	22.1	22.2	22.3	22.4	22.5	22.6	22.7	22.8	22.9	23.0	23.1	23.2	23.3	23.4	23.5	23.6	23.7	23.8	23.9	24.0	24.1	24.2	24.3	24.4	24.5	24.6	24.7	24.8	24.9	25.0	25.1	25.2	25.3	25.4	25.5	25.6	25.7	25.8	25.9	26.0	26.1	26.2	26.3	26.4	26.5	26.6	26.7	26.8	26.9	27.0	27.1	27.2	27.3	27.4	27.5	27.6	27.7	27.8	27.9	28.0	28.1	28.2	28.3	28.4	28.5	28.6	28.7	28.8	28.9	29.0	29.1	29.2	29.3	29.4	29.5	29.6	29.7	29.8	29.9	30.0	30.1	30.2	30.3	30.4	30.5	30.6	30.7	30.8	30.9	31.0	31.1	31.2	31.3	31.4	31.5	31.6	31.7	31.8	31.9	32.0	32.1	32.2	32.3	32.4	32.5	32.6	32.7	32.8	32.9	33.0	33.1	33.2	33.3	33.4	33.5	33.6	33.7	33.8	33.9	34.0	34.1	34.2	34.3	34.4	34.5	34.6	34.7	34.8	34.9	35.0	35.1	35.2	35.3	35.4	35.5	35.6	35.7	35.8	35.9	36.0	36.1	36.2	36.3	36.4	36.5	36.6	36.7	36.8	36.9	37.0	37.1	37.2	37.3	37.4	37.5	37.6	37.7	37.8	37.9	38.0	38.1	38.2	38.3	38.4	38.5	38.6	38.7	38.8	38.9	39.0	39.1	39.2	39.3	39.4	39.5	39.6	39.7	39.8	39.9	40.0	40.1	40.2	40.3	40.4	40.5	40.6	40.7	40.8	40.9	41.0	41.1	41.2	41.3	41.4	41.5	41.6	41.7	41.8	41.9	42.0	42.1	42.2	42.3	42.4	42.5	42.6	42.7	42.8	42.9	43.0	43.1	43.2	43.3	43.4	43.5	43.6	43.7	43.8	43.9	44.0	44.1	44.2	44.3	44.4	44.5	44.6	44.7	44.8	44.9	45.0	45.1	45.2	45.3	45.4	45.5	45.6	45.7	45.8	45.9	46.0	46.1	46.2	46.3	46.4	46.5	46.6	46.7	46.8	46.9	47.0	47.1	47.2	47.3	47.4	47.5	47.6	47.7	47.8	47.9	48.0	48.1	48.2	48.3	48.4	48.5	48.6	48.7	48.8	48.9	49.0	49.1	49.2	49.3	49.4	49.5	49.6	49.7	49.8	49.9	50.0	50.1	50.2	50.3	50.4	50.5	50.6	50.7	50.8	50.9	51.0	51.1	51.2	51.3	51.4	51.5	51.6	51.7	51.8	51.9	52.0	52.1	52.2	52.3	52.4	52.5	52.6	52.7	52.8	52.9	53.0	53.1	53.2	53.3	53.4	53.5	53.6	53.7	53.8	53.9	54.0	54.1	54.2	54.3	54.4	54.5	54.6	54.7	54.8	54.9	55.0	55.1	55.2	55.3	55.4	55.5	55.6	55.7	55.8	55.9	56.0	56.1	56.2	56.3	56.4	56.5	56.6	56.7	56.8	56.9	57.0	57.1	57.2	57.3	57.4	57.5	57.6	57.7	57.8	57.9	58.0	58.1	58.2	58.3	58.4	58.5	58.6	58.7	58.8	58.9	59.0	59.1	59.2	59.3	59.4	59.5	59.6	59.7	59.8	59.9	60.0	60.1	60.2	60.3	60.4	60.5	60.6	60.7	60.8	60.9	61.0	61.1	61.2	61.3	61.4	61.5	61.6	61.7	61.8	61.9	62.0	62.1	62.2	62.3	62.4	62.5	62.6	62.7	62.8	62.9	63.0	63.1	63.2	63.3	63.4	63.5	63.6	63.7	63.8	63.9	64.0	64.1	64.2	64.3	64.4	64.5	64.6	64.7	64.8	64.9	65.0	65.1	65.2	65.3	65.4	65.5	65.6	65.7	65.8	65.9	66.0	66.1	66.2	66.3	66.4	66.5	66.6	66.7	66.8	66.9	67.0	67.1	67.2	67.3	67.4	67.5	67.6	67.7	67.8	67.9	68.0	68.1	68.2	68.3	68.4	68.5	68.6	68.7	68.8	68.9	69.0	69.1	69.2	69.3	69.4	69.5	69.6	69.7	69.8	69.9	70.0	70.1	70.2	70.3	70.4	70.5	70.6	70.7	70.8	70.9	71.0	71.1	71.2	71.3	71.4	71.5	71.6	71.7	71.8	71.9	72.0	72.1	72.2	72.3	72.4	72.5	72.6	72.7	72.8	72.9	73.0	73.1	73.2	73.3	73.4	73.5	73.6	73.7	73.8	73.9	74.0	74.1	74.2	74.3	74.4	74.5	74.6	74.7	74.8	74.9	75.0	75.1	75.2	75.3	75.4	75.5	75.6	75.7	75.8	75.9	76.0	76.1	76.2	76.3	76.4	76.5	76.6	76.7	76.8	76.9	77.0	77.1	77.2	77.3	77.4	77.5	77.6	77.7	77.8	77.9	78.0	78.1	78.2	78.3	78.4	78.5	78.6	78.7	78.8	78.9	79.0	79.1	79.2	79.3	79.4	79.5	79.6	79.7	79.8	79.9	80.0	80.1	80.2	80.3	80.4	80.5	80.6	80.7	80.8	80.9	81.0	81.1	81.2	81.3	81.4	81.5	81.6	81.7	81.8	81.9	82.0	82.1	82.2	82.3	82.4	82.5	82.6	82.7	82.8	82.9	83.0	83.1	83.2	83.3	83.4	83.5	83.6	83.7	83.8	83.9	84.0	84.1	84.2	84.3	84.4	84.5	84.6	84.7	84.8	84.9	85.0	85.1	85.2	85.3	85.4	85.5	85.6	85.7	85.8	85.9	86.0	86.1	86.2	86.3	86.4	86.5	86.6	86.7	86.8	86.9	87.0	87.1	87.2	87.3	87.4	87.5	87.6	87.7	87.8	87.9	88.0	88.1	88.2	88.3	88.4	88.5	88.6	88.7	88.8	88.9	89.0	89.1	89.2	89.3	89.4	89.5	89.6	89.7	89.8	89.9	90.0	90.1	90.2	90.3	90.4	90.5	90.6	90.7	90.8	90.9	91.0	91.1	91.2	91.3	91.4	91.5	91.6	91.7	91.8	91.9	92.0	92.1	92.2	92.3	92.4	92.5	92.6	92.7	92.8	92.9	93.0	93.1	93.2	93.3	93.4	93.5	93.6	93.7	93.8	93.9	94.0	94.1	94.2	94.3	94.4	94.5	94.6	94.7	94.8	94.9	95.0	95.1	95.2	95.3	95.4	95.5	95.6	95.7	95.8	95.9	96.0	96.1	96.2	96.3	96.4	96.5	96.6	96.7	96.8	96.9	97.0	97.1	97.2	97.3	97.4	97.5	97.6	97.7	97.8	97.9	98.0	98.1	98.2	98.3	98.4	98.5	98.6	98.7	98.8	98.9	99.0	99.1	99.2	99.3	99.4	99.5	99.6	99.7	99.8	99.9	100.0	100.1	100.2	100.3	100.4	100.5	100.6	100.7	100.8	100.9	101.0	101.1	101.2	101.3	101.4	101.5	101.6	101.7	101.8	101.9	102.0	102.1	102.2	102.3	102.4	102.5	102.6	102.7	102.8	102.9	103.0	103.1	103.2	103.3	103.4	103.5	103.6	103.7	103.8	103.9	104.0	104.1	104.2	104.3	104.4	104.5	104.6	104.7	104.8	104.9	105.0	105.1	105.2	105.3	105.4	105.5	105.6	105.7	105.8	105.9	106.0	106.1	106.2	106.3	106.4	106.5	106.6	106.7	106.8	106.9	107.0	107.1	107.2	107.3	107.4	107.5	107.6	107.7	107.8	107.9	108.0	108.1	108.2	108.3	108.4	108.5	108.6	108.7	108.8	108.9	109.0	109.1	109.2	109.3	109.4	109.5	109.6	109.7	109.8	109.9	110.0	110.1	110.2	110.3	110.4	110.5	110.6	110.7	110.8	110.9	111.0	111.1	111.2	111.3	111.4	111.5	111.6	111.7	111.8	111.9	112.0	112.1	112.2	112.3	112.4	112.5	112.6	112.7	112.8	112.9	113.0	113.1	113.2	113.3	113.4	113.5	113.6	113.7	113.8	113.9	114.0	114.1	114.2	114.3	114.4	114.5	114.6	114.7	114.8	114.9	115.0	115.1	115.2	115.3	115.4	115.5	115.6	115.7	115.8	115.9	116.0	116.1	116.2	116.3	116.4	116.5	116.6	116.7	116.8	116.9	117.0	117.1	117.2	117.3	117.4	117.5	117.6	117.7	117.8	117.9	118.0	118.1	118.2	118.3	118.4	118.5	118.6	118.7	118.8	118.9	119.0	119.1	119.2	119.3	119.4	119.5	119.6	119.7	119.8	119.9	120.0	120.1	120.2	120.3	120.4	120.5	120.6	120.7	120.8	120.9	121.0	121.1	121.2	121.3	121.4	121.5	121.6	121.7	121.8	121.9	122.0	122.1	122.2	122.3	122.4	122.5	122.6	122.7	122.8	122.9	123.0	123.1	123.2	123.3	123.4	123.5	123.6	123.7	123.8	123.9	124.0	124.1	124.2	124.3	124.4	124.5	124.6	124.7	124.8	124.9	125.0	125.1	125.2	125.3	125.4	125.5	125.6	125.7	125.8	125.9	126.0	126.1	126.2	126.3	126.4	126.5	126.6	126.7	126.8	126.9	127.0	127.1	127.2	127.3	127.4	127.5	127.6	127.7	127.8	127.9	128.0	128.1	128.2	128.3	128.4	128.5	128.6	128.7	128.8	128.9	129.0	129.1	129.2	129.3	129.4	129.5	129.6	129.7	129.8	129.9	130.0	130.1	130.2	130.3	130.4	130.5	130.6	130.7	130.8	130.9	131.0	131.1	131.2	131.3	131.4	131.5	131.6	131.7	131.8	131.9	132.0	132.1	132.2	132.3	132.4	132.5	132.6	132.7	132.8	132.9	133.0	133.1	133.2	133.3	133.4	133.5	133.6	133.7	133.8	133.9	134.0	134.1	134.2	134.3	134.4	134.5	134.6	134.7	134.8	134.9	135.0	135.1	135.2	135.3	135.4	135.5	135.6	135.7	135.8	135.9	136.0	136.1	136.2	136.3	136.4	136.5	136.6	136.7	136.8	136.9	137.0	137.1	137.2	137.3	137.4	137.5	137.6	137.7	137.8	137.9	138.0	138.1	138.2	138.3	138.4	138.5	138.6	138.7	138.8	138.9	139.0	139.1	139.2	139.3	139.4	139.5	139.6	139.7	139.8	139.9

DESIG	PART NO	DESCRIPTION	PRINC MANUF	MANUF PART NUMBER	CLASS	UM	QUANTITY	CHANGES
R56	013573	RES MF 357K 1% .12W 50PPM	MEC	H8 357K 1% 50PPM	A	EA	-	
R57	011780	RES MF 178K 1% .12W 50PPM	MEC	H8 178K 1% 50PPM	A	EA	-	
R58	012872	RES MF 287K 1% .12W 50PPM	MEC	H8 287K 1% 50PPM	A	EA	-	
R59	014422	RES MF 442K 1% .12W 50PPM	MEC	H8 442K 1% 50PPM	A	EA	-	
R60	012262	RES MF 226K 1% .12W 50PPM	MEC	H8 226K 1% 50PPM	A	EA	-	
R61	011132	RES MF 11K3 1% .12W 50PPM	MEC	H8 11K3 1% 50PPM	A	EA	-	
R62	015621	RES MF 5K62 1% .12W 50PPM	MEC	H8 5K62 1% 50PPM	A	EA	-	
R63	012801	RES MF 2K80 1% .12W 50PPM	MEC	H8 2K80 1% 50PPM	A	EA	2	
R64	013321	RES MF 3K32 1% .12W 50PPM	MEC	H8 3K32 1% 50PPM	A	EA	-	
R65	013321	RES MF 3K32 1% .12W 50PPM	MEC	H8 3K32 1% 50PPM	A	EA	-	
R66	000103	RES CF 10K 5% .25W	NEOHM	CFR25 10K 5%	A	EA	-	
R67	000103	RES CF 10K 5% .25W	NEOHM	CFR25 10K 5%	A	EA	-	
R68	011002	RES MF 10K0 1% .12W 50PPM	MEC	H8 10K0 1% 50PPM	A	EA	-	
R69	011002	RES MF 10K0 1% .12W 50PPM	MEC	H8 10K0 1% 50PPM	A	EA	-	
R70	011501	RES MF 1K50 1% .12W 50PPM	MEC	H8 1K50 1% 50PPM	A	EA	-	
R71	011501	RES MF 1K50 1% .12W 50PPM	MEC	CFR25 1K0 5%	A	EA	-	
R72	000102	RES CF 1K0 5% .25W	NEOHM	CFR25 1K0 5%	A	EA	-	
R73	000102	RES CF 1K0 5% .25W	NEOHM	CFR25 1K0 5%	A	EA	1	
R74	012743	RES MF 274K 1% .12W 50PPM	MEC	H8 274K 1% 50PPM	A	EA	-	
R75	014990	RES MF 499R 1% .12W 50PPM	MEC	H8 499R 1% 50PPM	A	EA	-	
R76	000470	RES CF 47R 5% .25W	NEOHM	CFR25 47R 5%	A	EA	-	
R77	001182	RES CF 1K8 5% .5W	NEOHM	CFR50 1K8 5%	A	EA	-	
R78	000103	RES CF 10K 5% .25W	NEOHM	CFR25 10K 5%	A	EA	2	
R79	012551	RES MF 2K55 1% .12W 50PPM	MEC	H8 2K55 1% 50PPM	A	EA	-	
R80	012551	RES MF 2K55 1% .12W 50PPM	MEC	H8 2K55 1% 50PPM	A	EA	-	
R81	000822	RES CF 8K2 5% .25W	NEOHM	CFR25 8K2 5%	A	EA	5	
R82	000822	RES CF 8K2 5% .25W	NEOHM	CFR25 8K2 5%	A	EA	-	
R83	000822	RES CF 8K2 5% .25W	NEOHM	CFR25 8K2 5%	A	EA	-	
R84	000822	RES CF 8K2 5% .25W	NEOHM	CFR25 8K2 5%	A	EA	-	
R85	000152	RES CF 1K5 5% .25W	NEOHM	CFR25 1K5 5%	A	EA	-	
R86	000433	RES CF 43K 5% .25W	NEOHM	CFR25 43K 5%	A	EA	1	
R87	000822	RES CF 8K2 5% .25W	NEOHM	CFR25 8K2 5%	A	EA	-	
R88	000471	RES CF 470R 5% .25W	NEOHM	CFR25 470R 5%	A	EA	4	
R89	000362	RES CF 3K6 5% .25W	NEOHM	CFR25 3K6 5%	A	EA	2	
R90	000470	RES CF 47R 5% .25W	NEOHM	CFR25 47R 5%	A	EA	-	
R91	013161	RES MF 3K16 1% .12W 50PPM	MEC	H8 3K16 1% 50PPM	A	EA	2	
R92	000122	RES CF 1K2 5% .25W	NEOHM	CFR25 1K2 5%	A	EA	-	
R93	000470	RES CF 47R 5% .25W	NEOHM	CFR25 47R 5%	A	EA	-	
R94	000470	RES CF 47R 5% .25W	NEOHM	CFR25 47R 5%	A	EA	-	
R95	000470	RES CF 47R 5% .25W	NEOHM	CFR25 47R 5%	A	EA	-	
R96	011872	RES MF 18K7 1% .12W 50PPM	MEC	H8 18K7 1% 50PPM	A	EA	3	
R97	000104	RES CF 100K 5% .25W	NEOHM	CFR25 100K 5%	A	EA	2	
R98	011378	RES MF 13R7 1% .12W 50PPM	MEC	H8 13R7 1% 50PPM	A	EA	-	
R99	000104	RES CF 100K 5% .25W	NEOHM	CFR25 100K 5%	A	EA	-	
R100	011872	RES MF 18K7 1% .12W 50PPM	MEC	H8 18K7 1% 50PPM	A	EA	-	

DESIG	PART NO	DESCRIPTION	PRINC MANUF	MANUF PART NUMBER	CLASS	UM	QUANTITY	CHANGES
R101	011378	RES MF 13R7 1% .12W 50PPM	MEC	H8 13R7 1% 50PPM	A	EA	-	
R102	000471	RES CF 470R 5% .25W	NEOHM	CFR25 470R 5%	A	EA	-	
R103	013091	RES MF 3K09 1% .12W 50PPM	MEC	H8 3K09 1% 50PPM	A	EA	2	
R104	011541	RES MF 1K54 1% .12W 50PPM	MEC	H8 1K54 1% 50PPM	A	EA	2	
R105	011541	RES MF 1K54 1% .12W 50PPM	MEC	H8 1K54 1% 50PPM	A	EA	-	
R106	013091	RES MF 3K09 1% .12W 50PPM	MEC	H8 3K09 1% 50PPM	A	EA	-	
R107	000470	RES CF 47R 5% .25W	NEOHM	CFR25 47R 5%	A	EA	-	
R108	017871	RES MF 7K87 1% .12W 50PPM	MEC	H8 7K87 1% 50PPM	A	EA	1	
R109	000101	RES CF 100R 5% .25W	NEOHM	CFR25 100R 5%	A	EA	9	
R110	000225	RES CF 2M2 5% .25W	NEOHM	CFR25 2M2 5%	A	EA	1	
R112	000100	RES CF 10R 5% .25W	NEOHM	CFR25 10R 5%	A	EA	-	
R113	000362	RES CF 3K6 5% .25W	NEOHM	CFR25 3K6 5%	A	EA	-	
R114	000470	RES CF 47R 5% .25W	NEOHM	CFR25 47R 5%	A	EA	-	
R115	000470	RES CF 47R 5% .25W	NEOHM	CFR25 47R 5%	A	EA	-	
R116	000470	RES CF 47R 5% .25W	NEOHM	CFR25 47R 5%	A	EA	-	
R117	000101	RES CF 100R 5% .25W	NEOHM	CFR25 100R 5%	A	EA	-	
R118	012432	RES MF 24K3 1% .12W 50PPM	MEC	H8 24K3 1% 50PPM	A	EA	2	
R119	012432	RES MF 24K3 1% .12W 50PPM	MEC	H8 24K3 1% 50PPM	A	EA	-	
R120	011002	RES MF 10K0 1% .12W 50PPM	MEC	H8 10K0 1% 50PPM	A	EA	-	
R121	017501	RES MF 7K50 1% .12W 50PPM	MEC	H8 7K50 1% 50PPM	A	EA	1	
R122	011002	RES MF 10K0 1% .12W 50PPM	MEC	H8 10K0 1% 50PPM	A	EA	-	
R123	066103	RES CT 10K SIDE ADJ S/T	BECKMAN	72XW	A	EA	1	
R124	000100	RES CF 10R 5% .25W	NEOHM	CFR25 10R 5%	A	EA	-	
R125	000100	RES CF 10R 5% .25W	NEOHM	CFR25 10R 5%	A	EA	-	
R126	001182	RES CF 1K8 5% .5W	NEOHM	CFR50 1K8 5%	A	EA	-	
R127	000101	RES CF 100R 5% .25W	NEOHM	CFR25 100R 5%	A	EA	-	
R128	000101	RES CF 100R 5% .25W	NEOHM	CFR25 100R 5%	A	EA	-	
R129	011211	RES MF 1K21 1% .12W 50PPM	MEC	H8 1K21 1% 50PPM	A	EA	1	
R130	011002	RES MF 10K0 1% .12W 50PPM	MEC	H8 10K0 1% 50PPM	A	EA	-	
R131	011002	RES MF 10K0 1% .12W 50PPM	MEC	H8 10K0 1% 50PPM	A	EA	-	
R132	000101	RES CF 100R 5% .25W	NEOHM	CFR25 100R 5%	A	EA	-	
R133	001182	RES CF 1K8 5% .5W	NEOHM	CFR50 1K8 5%	A	EA	-	
R134	014321	RES MF 4K32 1% .12W 50PPM	MEC	H8 4K32 1% 50PPM	A	EA	2	
R135	012491	RES MF 2K49 1% .12W 50PPM	MEC	H8 2K49 1% 50PPM	A	EA	2	
R136	090063	THERMISTOR PTC	PHILIPS	KTY81-120	A	EA	-	
R137	090063	THERMISTOR PTC	PHILIPS	KTY81-120	A	EA	-	
R138	000101	RES CF 100R 5% .25W	NEOHM	CFR25 100R 5%	A	EA	-	
R139	050153	RES MF 6R2 1% .5W 50PPM	WELWYN	MFR4	A	EA	1	
R140	000202	RES CF 2K0 5% .25W	NEOHM	CFR25 2K0 5%	A	EA	-	
R141	000101	RES CF 100R 5% .25W	NEOHM	CFR25 100R 5%	A	EA	-	
R142	000101	RES CF 100R 5% .25W	NEOHM	CFR25 100R 5%	A	EA	-	
R143	012491	RES MF 2K49 1% .12W 50PPM	MEC	H8 2K49 1% 50PPM	A	EA	-	
R144	050153	RES MF 6R2 1% .5W 50PPM	WELWYN	MFR4	A	EA	-	
R145	000221	RES CF 220R 5% .25W	NEOHM	CFR25 220R 5%	A	EA	2	
R146	000221	RES CF 220R 5% .25W	NEOHM	CFR25 220R 5%	A	EA	-	

DESIG	PART NO	DESCRIPTION	PRINC MANUF	MANUF PART NUMBER	CLASS	UM	QUANTITY	CHANGES
R147	090101	RES CF 100K 5% .25W	NECHM	CPR25 100R 5%	A	EA	-	
R148	090278	RES CF 2R 5% .25W	NECHM	CPR25 2R7 5%	A	EA	1	
R149	013161	RES MF 3K16 1% .12W 50PPM	MED	H8 3K16 1% 50PPM	A	EA	-	
R150	000471	RES CF 470R 5% .25W	NECHM	CPR25 470R 5%	A	EA	-	
R151	014751	RES MF 4K75 1% .12W 50PPM	MED	H8 4K75 1% 50PPM	A	EA	-	
R152	015230	RES MF 523R 1% .12W 50PPM	MED	H8 523R 1% 50PPM	A	EA	1	
R153	014320	RES MF 432R 1% .12W 50PPM	MED	H8 432R 1% 50PPM	A	EA	1	
R154	014751	RES MF 4K75 1% .12W 50PPM	MED	H8 4K75 1% 50PPM	A	EA	-	
R155	000472	RES CF 4K7 5% .25W	NECHM	CPR25 4K7 5%	A	EA	3	
R156	000472	RES CF 4K7 5% .25W	NECHM	CPR25 4K7 5%	A	EA	-	
R157	000471	RES CF 470R 5% .25W	NECHM	CPR25 470R 5%	A	EA	-	
R158	000150	RES CF 15R 5% .25W	NECHM	CPR25 15R 5%	A	EA	1	
R159	000472	RES CF 4K7 5% .25W	NECHM	CPR25 4K7 5%	A	EA	-	
R160	00000N	NOT FITTED				EA	12	
R161	000104	RES CF 100K 5% .25W	NECHM	CPR25 100K 5%	A	EA	-	
AN1	090131	RES PACK 10K X 4 2%	BECKMAN	L08-3S-R10K	A	EA	8	
AN2	090131	RES PACK 10K X 4 2%	BECKMAN	L08-3S-R10K	A	EA	-	
AN3	090131	RES PACK 10K X 4 2%	BECKMAN	L08-3S-R10K	A	EA	-	
AN4	090132	RES PACK 4K7 X 4 2%	BECKMAN	L08-3S-R4K7	A	EA	1	
AN5	090140	RES NTKW 22K X 9 2%	BECKMAN	L10-1S-R22K	A	EA	2	
AN6	090141	RES NTKW 1M X 9 2%	BECKMAN	L10-1S-R1M	A	EA	2	
AN7	090131	RES PACK 10K X 4 2%	BECKMAN	L08-3S-R10K	A	EA	-	
AN8	090140	RES NTKW 22K X 9 2%	BECKMAN	L10-1S-R22K	A	EA	-	
AN9	090141	RES NTKW 1M X 9 2%	BECKMAN	L10-1S-R1M	A	EA	-	
AN10	090131	RES PACK 10K X 4 2%	BECKMAN	L08-3S-R10K	A	EA	-	
AN11	090131	RES PACK 10K X 4 2%	BECKMAN	L08-3S-R10K	A	EA	-	
AN12	090086	RES PACK 100K X 8 2%	AB	761-3-100K	A	EA	1	
AN13	090131	RES PACK 10K X 4 2%	BECKMAN	L08-3S-R10K	A	EA	-	
AN14	090142	RES PACK 10K X 4 .5%	BECKMAN	694-3-R10KD	A	EA	1	
AN15	090136	RES PACK 2K X 8 .5%	BECKMAN	698-3-R2KD	A	EA	3	
AN16	090136	RES PACK 2K X 8 .5%	BECKMAN	698-3-R2KD	A	EA	-	
AN17	090131	RES PACK 10K X 4 2%	BECKMAN	L08-3S-R10K	A	EA	-	
AN18	090136	RES PACK 2K X 8 .5%	BECKMAN	698-3-R2KD	A	EA	-	
AN19	090143	RES PACK 500R X 4 .5%	BECKMAN	694-3-R500D	A	EA	1	
AN20	090168	RES PACK 1K X 4 2%	AB	770-83-1K	A	EA	1	
C1	100181	CAP CP 180PF 2% 100V	PHILIPS	2222 683 58181		EA	1	
C2	100561	CAP CP 560PF 10% 100V	PHILIPS	2222 630 19561		EA	1	
C3	100102	CAP CP 1NF 10% 100V	PHILIPS	2222 630 19102		EA	15	
C4	110027	CAP PE 330F 20% 100V	WIMA	FKS2 3300 20% 100V		EA	1	
C5	100121	CAP CP 120PF 2% 100V	PHILIPS	2222 683 34121		EA	1	
C6	150020	CAP DT 10UF 20% 25V	AVX	TAP10M25F	A	EA	15	
C7	104026	CAP CM 47NF +80%-20% 50V	AVX	SR175E473ZAA	A	EA	34	
C8	150020	CAP DT 10UF 20% 25V	AVX	TAP10M25F	A	EA	-	
C9	150020	CAP DT 10UF 20% 25V	AVX	TAP10M25F	A	EA	-	
C10	104026	CAP CM 47NF +80%-20% 50V	AVX	SR175E473ZAA	A	EA	-	

DESIG	PART NO	DESCRIPTION	PRINC MANUF	MANUF PART NUMBER	CLASS	UM	QUANTITY	CHANGES
C11	104026	CAP CM 47NF +80%-20% 50V	AVX	SR175E473ZAA	A	EA	-	
C12	104026	CAP CM 47NF +80%-20% 50V	AVX	SR175E473ZAA	A	EA	-	
C13	100102	CAP CP 1NF 10% 100V	PHILIPS	2222 630 19102		EA	-	
C14	110035	CAP PE 220NF 20% 63V	WIMA	MKS2 0.22 20% 63V		EA	1	
C15	110050	CAP PE 22NF 10% 63V	WIMA	MKS2 0.022 10% 63V		EA	1	
C16	104026	CAP CM 47NF +80%-20% 50V	AVX	SR175E473ZAA	A	EA	-	
C17	104026	CAP CM 47NF +80%-20% 50V	AVX	SR175E473ZAA	A	EA	-	
C18	104026	CAP CM 47NF +80%-20% 50V	AVX	SR175E473ZAA	A	EA	-	
C19	104026	CAP CM 47NF +80%-20% 50V	AVX	SR175E473ZAA	A	EA	-	
C20	102471	CAP CD 470PF 20% 500V N4700	BECK	CD10EM470PMSCR	A	EA	1	
C21	150020	CAP DT 10UF 20% 25V	AVX	TAP10M25F	A	EA	-	
C22	150020	CAP DT 10UF 20% 25V	AVX	TAP10M25F	A	EA	-	
C23	100102	CAP CP 1NF 10% 100V	PHILIPS	2222 630 19102		EA	-	
C24	104026	CAP CM 47NF +80%-20% 50V	AVX	SR175E473ZAA	A	EA	-	
C25	120034	CAP PC 220NF 1% 63V	ASHCROFT	M2B22101E		EA	2	
C26	102100	CAP CD 10PF 20% 500V NPO	BECK	CD08CG10PCHMSCR	A	EA	1	
C27	00000N	NOT FITTED				EA	-	
C28	120035	CAP PC 22NF 1% 400V	ASHCROFT	M2B22004E		EA	2	
C29	102220	CAP CD 22PF 10% 500V N150	BECK	CD08PG22P0KSCSR	A	EA	3	
C30	104017	CAP CD 0P56F +/-0P1F 400V	BECK	GD08AG0P56BS	A	EA	2	
C31	102108	CAP CD 1PF +/-0P5F 500V P100	BECK	CD06AG01P0DSCSR	A	EA	2	
C32	102128	CAP CD 1P8F +/-0P5F 500V	ITT	CD06AG01P8DSCSR	A	EA	2	
C33	102358	CAP CD 3P9F +/-0P5F 500V P100	BECK	CD08AG03P9DSCSR	A	EA	2	
C34	150020	CAP DT 10UF 20% 25V	AVX	TAP10M25F	A	EA	-	
C35	100102	CAP CP 1NF 10% 100V	PHILIPS	2222 630 19102		EA	-	
C36	130083	CAP PS 2NF 1% 160V	PHILIPS	425		EA	2	
C37	110042	CAP PE 100NF 20% 63V	WIMA	MKS2 0.1 20% 63V		EA	7	
C38	00000N	NOT FITTED				EA	-	
C39	100101	CAP CP 100PF 2% 100V	PHILIPS	2222 683 34101		EA	3	
C40	100278	CAP CP 2P7F +/-0P25F 100V	PHILIPS	2222 683 09278		EA	2	
C41	130084	CAP PS 110PF 1% 630V	PHILIPS	427		EA	2	
C42	130042	CAP PS 100PF 1% 630V	SUFLEX	HS		EA	2	
C43	102478	CAP CD 4P7F +/-0P5F 500V NPO	BECK	CD08AG04P7DSCSR	A	EA	2	
C44	00000N	NOT FITTED				EA	-	
C45	104026	CAP CM 47NF +80%-20% 50V	AVX	SR175E473ZAA	A	EA	-	
C46	100102	CAP CP 1NF 10% 100V	PHILIPS	2222 630 19102		EA	-	
C47	150020	CAP DT 10UF 20% 25V	AVX	TAP10M25F	A	EA	-	
C48	104026	CAP CM 47NF +80%-20% 50V	AVX	SR175E473ZAA	A	EA	-	
C49	00000N	NOT FITTED				EA	-	
C50	120034	CAP PC 220NF 1% 63V	ASHCROFT	M2B22101E		EA	-	
C51	120035	CAP PC 22NF 1% 400V	ASHCROFT	M2B22004E		EA	-	
C52	104017	CAP CD 0P56F +/-0P1F 400V	BECK	GD08AG0P56BS	A	EA	-	
C53	104026	CAP CM 47NF +80%-20% 50V	AVX	SR175E473ZAA	A	EA	-	
C54	00000N	NOT FITTED				EA	-	
C55	104026	CAP CM 47NF +80%-20% 50V	AVX	SR175E473ZAA	A	EA	-	

DESIG	PART NO	DESCRIPTION	PRINC MANUF	MANUF PART NUMBER	CLASS	UM	QUANTITY	CHANGES
156	104148	CAP CD 10PF +/-0.05% 50V P100	BECK	CD08A101P05SCR	A	EA	-	
157	104148	CAP CD 10PF +/-0.05% 50V	ITT	CD08A101P05SCR	A	EA	-	
158	104148	CAP CD 10PF +/-0.05% 50V P100	BECK	CD08A101P05SCR	A	EA	-	
159	104026	CAP CM 47NF +80%-20% 50V	AVX	SR175E473ZAA	A	EA	-	
160	104026	CAP CM 47NF +80%-20% 50V	AVX	SR175E473ZAA	A	EA	-	
C61	10000N	NOT FITTED						EA -
C62	130083	CAP PS 2NF 1% 160V	PHILIPS	425		EA	-	
C63	104026	CAP CM 47NF +80%-20% 50V	AVX	SR175E473ZAA	A	EA	-	
C64	100102	CAP CP 10PF 10% 100V	PHILIPS	2222 683 34101		EA	-	
C65	100102	CAP CP 10PF +/-0.05% 100V	PHILIPS	2222 683 09278		EA	-	
C66	130084	CAP PS 10PF 1% 630V	PHILIPS	427		EA	-	
C67	130042	CAP PS 100PF 1% 630V	SUFLEX	HS		EA	-	
C68	102478	CAP CD 47PF +/-0.5PF 500V NPO	BECK	CD08AG04P7DSCR	A	EA	-	
C69	00000N	NOT FITTED						EA -
C70	104026	CAP CM 47NF +80%-20% 50V	AVX	SR175E473ZAA	A	EA	-	
C71	100102	CAP CP 1NF 10% 100V	PHILIPS	2222 630 19102		EA	-	
C72	150020	CAP DT 10UF 20% 25V	AVX	TAP10M25F	A	EA	-	
C73	00000N	NOT FITTED						EA -
C74	102220	CAP CD 22PF 10% 500V N150	BECK	CD08PG22P0KSCR	A	EA	-	
C75	100102	CAP CP 1NF 10% 100V	PHILIPS	2222 630 19102		EA	-	
C76	110041	CAP PE 10NF 20% 100V	WIMA	FKS2 0.01 20% 100V		EA	3	
C77	102102	CAP CD 1NF 10% 500V	BECK	CD10K101N0KSCR	A	EA	-	
C78	110041	CAP PE 10NF 20% 100V	WIMA	FKS2 0.01 20% 100V		EA	-	
C79	100102	CAP CP 1NF 10% 100V	PHILIPS	2222 630 19102		EA	-	
C80	110042	CAP PE 100NF 20% 63V	WIMA	MKS2 0.1 20% 63V		EA	-	
C81	100102	CAP CP 1NF 10% 100V	PHILIPS	2222 630 19102		EA	-	
C82	100182	CAP CP 1NF 10% 100V	PHILIPS	2222 630 19182		EA	1	
C83	100102	CAP CP 1NF 10% 100V	PHILIPS	2222 630 19102		EA	-	
C84	100102	CAP CP 1NF 10% 100V	PHILIPS	2222 630 19102		EA	-	
C85	100102	CAP CP 1NF 10% 100V	PHILIPS	2222 630 19102		EA	-	
C86	102221	CAP CD 220PF 10% 500V N3300	BECK	CD10DL220PKSCR	A	EA	2	
C87	104026	CAP CM 47NF +80%-20% 50V	AVX	SR175E473ZAA	A	EA	-	
C88	104026	CAP CM 47NF +80%-20% 50V	AVX	SR175E473ZAA	A	EA	-	
C89	110046	CAP PE 10UF 20% 50V	WIMA	MKS2 1.0 20% 50V		EA	1	
C90	104026	CAP CM 47NF +80%-20% 50V	AVX	SR175E473ZAA	A	EA	-	
C91	104026	CAP CM 47NF +80%-20% 50V	AVX	SR175E473ZAA	A	EA	-	
C92	102331	CAP CD 330PF 20% 500V K1	BECK	CD08K1330PMSCR	A	EA	1	
C93	104026	CAP CM 47NF +80%-20% 50V	AVX	SR175E473ZAA	A	EA	-	
C94	104026	CAP CM 47NF +80%-20% 50V	AVX	SR175E473ZAA	A	EA	-	
C95	101103	CAP CD 10NF -20%-80% 250V	BECK	CD10K310N02SCR/SK250		EA	1	
C96	150010	CAP DT 330NF 20% 35V	AVX	TAPR33M35F	A	EA	1	
C97	100101	CAP CP 100PF 20% 100V	PHILIPS	2222 683 34101		EA	-	
C98	110042	CAP PE 100NF 20% 63V	WIMA	MKS2 0.1 20% 63V		EA	-	
C99	110042	CAP PE 100NF 20% 63V	WIMA	MKS2 0.1 20% 63V		EA	-	
C100	104026	CAP CM 47NF +80%-20% 50V	AVX	SR175E473ZAA	A	EA	-	

GATRON INSTRUMENTS LTD PARTS LIST 07-Jan-92 DESG: ASSY PCB SINE SOURCE 4700 DRG NO: LP400446-11 REV: 5 PAGE NO: 7

DESIG	PART NO	DESCRIPTION	PRINC MANUF	MANUF PART NUMBER	CLASS	UM	QUANTITY	CHANGES
C101	104026	CAP CM 47NF +80%-20% 50V	AVX	SR175E473ZAA	A	EA	-	
C102	150020	CAP DT 10UF 20% 25V	AVX	TAP10M25F	A	EA	-	
C103	150020	CAP DT 10UF 20% 25V	AVX	TAP10M25F	A	EA	-	
C104	00000N	NOT FITTED						EA -
C105	104026	CAP CM 47NF +80%-20% 50V	AVX	SR175E473ZAA	A	EA	-	
C106	100102	CAP CP 1NF 10% 100V	PHILIPS	2222 630 19102		EA	-	
C107	110042	CAP PE 100NF 20% 63V	WIMA	MKS2 0.1 20% 63V		EA	1	
C108	110015	CAP PE 15NF 20% 63V	WIMA	MKS2 0.015 20% 63V		EA	-	
C109	110041	CAP PE 10NF 20% 100V	WIMA	FKS2 0.01 20% 100V		EA	1	
C110	104064	CAP CD 12PF 5% 50V	AVX	SR215A120JAA				
C111	110042	CAP PE 100NF 20% 63V	WIMA	MKS2 0.1 20% 63V		EA	-	
C112	102221	CAP CD 220PF 10% 500V N3300	BECK	CD10DL220PKSCR	A	EA	-	
C113	104026	CAP CM 47NF +80%-20% 50V	AVX	SR175E473ZAA	A	EA	-	
C114	104026	CAP CM 47NF +80%-20% 50V	AVX	SR175E473ZAA	A	EA	-	
C115	150015	CAP DT 10UF 20% 35V	AVX	TAP10M35F	A	EA	1	
C116	00000N	NOT FITTED						EA -
C117	100102	CAP CP 1NF 10% 100V	PHILIPS	2222 630 19102		EA	-	
C118	104026	CAP CM 47NF +80%-20% 50V	AVX	SR175E473ZAA	A	EA	-	
C119	102338	CAP CD 3P3F +/-0.5PF 500V P100	BECK	CD08AG03P3DSCR	A	EA	1	
C120	104026	CAP CM 47NF +80%-20% 50V	AVX	SR175E473ZAA	A	EA	-	
C121	150023	CAP DT 33UF 20% 25V	AVX	TAP33M25F	A	EA	3	
C122	150023	CAP DT 33UF 20% 25V	AVX	TAP33M25F	A	EA	-	
C123	150020	CAP DT 10UF 20% 25V	AVX	TAP10M25F	A	EA	-	
C124	104026	CAP CM 47NF +80%-20% 50V	AVX	SR175E473ZAA	A	EA	-	
C125	150020	CAP DT 10UF 20% 25V	AVX	TAP10M25F	A	EA	-	
C126	150023	CAP DT 33UF 20% 25V	AVX	TAP33M25F	A	EA	-	
C127	102220	CAP CD 22PF 10% 500V N150	BECK	CD08PG22P0KSCR	A	EA	-	
C128	104026	CAP CM 47NF +80%-20% 50V	AVX	SR175E473ZAA	A	EA	-	
C129	150021	CAP DT 22UF 20% 25V	AVX	TAP22M25F	A	EA	1	
C130	110042	CAP PE 100NF 20% 63V	WIMA	MKS2 0.1 20% 63V		EA	-	
C131	100102	CAP CP 1NF 10% 100V	PHILIPS	2222 630 19102		EA	-	
C132	00000N	NOT FITTED						EA -
C134	120029	CAP PC 6NF 20% 100V	WIMA	FKC2 6800 20% 100V		EA	1	
C135	150020	CAP DT 10UF 20% 25V	AVX	TAP10M25F	A	EA	-	
C136	104026	CAP CM 47NF +80%-20% 50V	AVX	SR175E473ZAA	A	EA	-	
C137	150020	CAP DT 10UF 20% 25V	AVX	TAP10M25F	A	EA	-	
C138	150020	CAP DT 10UF 20% 25V	AVX	TAP10M25F	A	EA	-	
C139	104026	CAP CM 47NF +80%-20% 50V	AVX	SR175E473ZAA	A	EA	-	
D2	210091	DIODE 2N 9V1 400mW	PHILIPS	B2X79C9V1	A	EA	3	
D3	210150	DIODE 2N 15V 400mW	PHILIPS	B2X79C15	A	EA	1	
D4	210091	DIODE 2N 9V1 400mW	PHILIPS	B2X79C9V1	A	EA	-	
D5	213009	DIODE TS 15V 5/500W	UNITRODE	TVS515	A	EA	4	
D6	213009	DIODE TS 15V 5/500W	UNITRODE	TVS515	A	EA	-	
D7	200001	DIODE GP 75mA 75V	FAIRCHILD	1N4148		EA	15	
D8	200001	DIODE GP 75mA 75V	FAIRCHILD	1N4148		EA	-	

DESIG	PART NO	DESCRIPTION	PRINC MANUF	MANUF PART NUMBER	CLASS	UM	QUANTITY	CHANGES
D10	210001	DIODE CN 75mA 75V	FAIRCHILD	1N4148		EA	-	
D11	210043	DIODE CN 4V3 400mW	PHILIPS	BZX79C4V3	A	EA	4	
D12	200001	DIODE GP 75mA 75V	FAIRCHILD	1N4148		EA	-	
D13	210043	DIODE CN 4V3 400mW	PHILIPS	BZX79C4V3	A	EA	-	
D13	200001	DIODE GP 75mA 75V	FAIRCHILD	1N4148		EA	-	
D14	200001	DIODE GP 75mA 75V	FAIRCHILD	1N4148		EA	-	
D15	200001	DIODE GP 75mA 75V	FAIRCHILD	1N4148		EA	-	
D16	210043	DIODE CN 4V3 400mW	PHILIPS	BZX79C4V3	A	EA	-	
D17	200001	DIODE GP 75mA 75V	FAIRCHILD	1N4148		EA	-	
D18	210043	DIODE CN 4V3 400mW	PHILIPS	BZX79C4V3	A	EA	-	
D19	210091	DIODE CN 9V1 400mW	PHILIPS	BZX79C9V1	A	EA	-	
D20	213011	DIODE VR 1V4 250mW	PHILIPS	BZV86-1V4		EA	2	
D21	200001	DIODE GP 75mA 75V	FAIRCHILD	1N4148		EA	-	
D22	213011	DIODE VR 1V4 250mW	PHILIPS	BZV86-1V4		EA	-	
D23	200001	DIODE GP 75mA 75V	FAIRCHILD	1N4148		EA	-	
D24	210056	DIODE CN 5V6 400mW	PHILIPS	BZX79C5V6	A	EA	2	
D25	210056	DIODE CN 5V6 400mW	PHILIPS	BZX79C5V6	A	EA	-	
D26	213023	DIODE CN 6V4 100PPM	PHILIPS	BZV10		EA	2	
D27	213009	DIODE TS 15V 5/500W	UNITRODE	TVS515	A	EA	-	
D28	220010	DIODE SB	HP	1N5711/1N6263	A	EA	3	
D29	220010	DIODE SB	HP	1N5711/1N6263	A	EA	-	
D30	213023	DIODE CN 6V4 100PPM	PHILIPS	BZV10		EA	-	
D31	200001	DIODE GP 75mA 75V	FAIRCHILD	1N4148		EA	-	
D32	200001	DIODE GP 75mA 75V	FAIRCHILD	1N4148		EA	-	
D33	200001	DIODE GP 75mA 75V	FAIRCHILD	1N4148		EA	-	
D34	213009	DIODE TS 15V 5/500W	UNITRODE	TVS515	A	EA	-	
D35	200001	DIODE GP 75mA 75V	FAIRCHILD	1N4148		EA	-	
D36	200006	DIODE GP 1A 600V	FAIRCHILD	1N4005		EA	2	
D37	200006	DIODE GP 1A 600V	FAIRCHILD	1N4005		EA	-	
D38	220010	DIODE SB	HP	1N5711/1N6263	A	EA	-	
D39	213012	DIODE VR 2V0 250mW	PHILIPS	BZV86-2V0		EA	2	
D40	210062	DIODE CN 6V2 400mW	PHILIPS	BZX79C6V2	A	EA	2	
D41	210062	DIODE CN 6V2 400mW	PHILIPS	BZX79C6V2	A	EA	-	
D42	213012	DIODE VR 2V0 250mW	PHILIPS	BZV86-2V0		EA	-	
D43	210068	DIODE CN 6V8 400mW	PHILIPS	BZX79C6V8	A	EA	1	
D44	200001	DIODE GP 75mA 75V	FAIRCHILD	1N4148		EA	-	
Q1	230035	TRAN JFET N-CHAN	TELEDYNE	U1897JF		EA	35	
Q2	230035	TRAN JFET N-CHAN	TELEDYNE	U1897JF		EA	-	
Q3	230035	TRAN JFET N-CHAN	TELEDYNE	U1897JF		EA	-	
Q4	230035	TRAN JFET N-CHAN	TELEDYNE	U1897JF		EA	-	
Q5	250004	TRAN PNP TO92	MOTOROLA	2N3906		EA	6	
Q6	250004	TRAN PNP TO92	MOTOROLA	2N3906		EA	-	
Q7	240006	TRAN NPN TO92	MOTOROLA	2N3904		EA	4	
Q8	230035	TRAN JFET N-CHAN	TELEDYNE	U1897JF		EA	-	
Q9	230035	TRAN JFET N-CHAN	TELEDYNE	U1897JF		EA	-	

DESIG	PART NO	DESCRIPTION	PRINC MANUF	MANUF PART NUMBER	CLASS	UM	QUANTITY	CHANGES
Q18	250004	TRAN PNP TO92	MOTOROLA	2N3906		EA	-	
Q19	230001	TRAN JFET I LIM 1.4mA	SILICONIX	J506		EA	3	
Q20	230035	TRAN JFET N-CHAN	TELEDYNE	U1897JF		EA	-	
Q21	230035	TRAN JFET N-CHAN	TELEDYNE	U1897JF		EA	-	
Q22	230035	TRAN JFET N-CHAN	TELEDYNE	U1897JF		EA	-	
Q23	230035	TRAN JFET N-CHAN	TELEDYNE	U1897JF		EA	-	
Q24	230035	TRAN JFET N-CHAN	TELEDYNE	U1897JF		EA	-	
Q25	230035	TRAN JFET N-CHAN	TELEDYNE	U1897JF		EA	-	
Q26	230035	TRAN JFET N-CHAN	TELEDYNE	U1897JF		EA	-	
Q27	230035	TRAN JFET N-CHAN	TELEDYNE	U1897JF		EA	-	
Q28	230035	TRAN JFET N-CHAN	TELEDYNE	U1897JF		EA	-	
Q29	239060-1	TRAN JFET N-CHAN DUAL - RES	DATRON	SEE DRG		S2	-	
Q30	260060	IC LIM I SOURCE	NATIONAL	LM334H		EA	1	
Q31	240043	TRAN NPN TO92 RESERVE STOCK	MOTOROLA	2N3904		EA	2	
Q32	230035	TRAN JFET N-CHAN	TELEDYNE	U1897JF		EA	-	
Q33	230035	TRAN JFET N-CHAN	TELEDYNE	U1897JF		EA	-	
Q34	230035	TRAN JFET N-CHAN	TELEDYNE	U1897JF		EA	-	
Q35	230035	TRAN JFET N-CHAN	TELEDYNE	U1897JF		EA	-	
Q36	230035	TRAN JFET N-CHAN	TELEDYNE	U1897JF		EA	-	
Q37	230035	TRAN JFET N-CHAN	TELEDYNE	U1897JF		EA	-	
Q38	230035	TRAN JFET N-CHAN	TELEDYNE	U1897JF		EA	-	
Q39	230035	TRAN JFET N-CHAN	TELEDYNE	U1897JF		EA	-	
Q40	230035	TRAN JFET N-CHAN	TELEDYNE	U1897JF		EA	-	
Q41	230046	TRAN JFET N-CHAN DUAL	SILICONIX	VCR11N		EA	1	
Q42	230001	TRAN JFET I LIM 1.4mA	SILICONIX	J506		EA	-	
Q43	230001	TRAN JFET I LIM 1.4mA	SILICONIX	J506		EA	-	
Q44	240043	TRAN NPN TO92 RESERVE STOCK	MOTOROLA	2N3904		EA	-	
Q45	250001	TRAN PNP	MOTOROLA	BC214		EA	3	
Q46	250001	TRAN PNP	MOTOROLA	BC214		EA	-	
Q47	230035	TRAN JFET N-CHAN	TELEDYNE	U1897JF		EA	-	
Q48	230035	TRAN JFET N-CHAN	TELEDYNE	U1897JF		EA	-	
Q49	230035	TRAN JFET N-CHAN	TELEDYNE	U1897JF		EA	-	
Q50	230035	TRAN JFET N-CHAN	TELEDYNE	U1897JF		EA	-	
Q51	230035	TRAN JFET N-CHAN	TELEDYNE	U1897JF		EA	-	
Q52	230035	TRAN JFET N-CHAN	TELEDYNE	U1897JF		EA	-	
Q53	230035	TRAN JFET N-CHAN	TELEDYNE	U1897JF		EA	-	
Q54	250004	TRAN PNP TO92	MOTOROLA	2N3906		EA	-	
Q55	240017	TRAN NPN	NATIONAL	LM394H		EA	6	
Q56	240017	TRAN NPN	NATIONAL	LM394H		EA	-	
Q57	240017	TRAN NPN	NATIONAL	LM394H		EA	-	
Q58	240017	TRAN NPN	NATIONAL	LM394H		EA	-	
Q59	240017	TRAN NPN	NATIONAL	LM394H		EA	-	
Q60	240017	TRAN NPN	NATIONAL	LM394H		EA	-	
Q61	230050	TRAN JFET I LIM 2mA	SILICONIX	J508		EA	1	
Q62	240013	TRAN NPN TO18	MOTOROLA	BC184C		EA	4	

DESIG	PART NO	DESCRIPTION	PRINC MANUF	MANUF PART NUMBER	CLASS	UM	QUANTITY	CHANGES
Q63	240013	TRAN NPN TO18	MOTOROLA	BC184C	EA	-		
Q64	240013	TRAN NPN TO18	MOTOROLA	BC184C	EA	-		
Q65	240013	TRAN NPN TO18	MOTOROLA	BC184C	EA	-		
Q66	230042	TRAN JFET I LIM 3mA	SILICONIX	J509	EA	6		
Q67	230035	TRAN JFET N-CHAN	TELEDYNE	U1897JF	EA	-		
Q68	230035	TRAN JFET N-CHAN	TELEDYNE	U1897JF	EA	-		
Q69	230035	TRAN JFET N-CHAN	TELEDYNE	U1897JF	EA	-		
Q70	240006	TRAN NPN TO92	MOTOROLA	2N3904	EA	2		
Q71	250009	TRAN PNP TO18	MOTOROLA	BC214C	EA	-		
Q72	250008	TRAN PNP TO18	MOTOROLA	BC214C	EA	-		
Q73	230042	TRAN JFET I LIM 3mA	SILICONIX	J509	EA	-		
Q74	230033	TRAN JFET N CHAN	TELEDYNE	U1899JF	EA	1		
Q75	240026	TRAN NPN TO92	MOTOROLA	2N3904	EA	-		
Q76	239059-1	TRAN JFET N-CHAN DUAL X 2	DATRON	SEE DRG	S2	1		
Q77	239059-1	TRAN JFET N-CHAN DUAL X 2	DATRON	SEE DRG	S2	-		
Q78	240032	TRAN NPN	MOTOROLA	BF393	EA	4		
Q79	240032	TRAN NPN	MOTOROLA	BF393	EA	-		
Q80	240032	TRAN NPN	MOTOROLA	BF393	EA	-		
Q81	240032	TRAN NPN	MOTOROLA	BF393	EA	-		
Q82	230042	TRAN JFET I LIM 3mA	SILICONIX	J509	EA	-		
Q83	240001	TRAN NPN	MOTOROLA	BC184	EA	2		
Q84	230042	TRAN JFET I LIM 3mA	SILICONIX	J509	EA	-		
Q85	250001	TRAN PNP	MOTOROLA	BC214	EA	-		
Q86	240031	TRAN NPN	MOTOROLA	BD139	EA	2		
Q87	230042	TRAN JFET I LIM 3mA	SILICONIX	J509	EA	-		
Q88	240006	TRAN NPN TO92	MOTOROLA	2N3904	EA	-		
Q89	230042	TRAN JFET I LIM 3mA	SILICONIX	J509	EA	-		
Q90	250004	TRAN PNP TO92	MOTOROLA	2N3906	EA	-		
Q91	240001	TRAN NPN	MOTOROLA	BC184	EA	-		
Q92	250004	TRAN PNP TO92	MOTOROLA	2N3906	EA	-		
Q93	240031	TRAN NPN	MOTOROLA	BD139	EA	-		
Q94	250021	TRAN PNP	MOTOROLA	BD140	EA	1		
Q95	230035	TRAN JFET N-CHAN	TELEDYNE	U1897JF	EA	-		
M1	280101	IC DIG COUNT DEC BIN PL X2	MOTOROLA	MC14569BCP	EA	3		
M2	280057	IC DIG COUNT4 SYNC DEC PL UD	MOTOROLA	MC14510BCP	EA	1		
M3	280008	IC DIG NAND2 X4	MOTOROLA	MC14011BCP	EA	1		
M4	280011	IC DIG FLIP FLOP D X2	MOTOROLA	MC14013BCP	EA	2		
M5	280101	IC DIG COUNT DEC BIN PL X2	MOTOROLA	MC14569BCP	EA	-		
M6	280076	IC DIG MUX 8TO1 ANALOG	MOTOROLA	MC14051BCL	A	EA	2	
M7	280079	IC DIG OR2 X4	MOTOROLA	MC14071BCP	EA	1		
M8	280076	IC DIG MUX 8TO1 ANALOG	MOTOROLA	MC14051BCL	A	EA	-	
M9	280101	IC DIG COUNT DEC BIN PL X2	MOTOROLA	MC14569BCP	EA	-		
M10	280025	IC DIG SWITCH QUAD CMOS	MOTOROLA	MC14066BCP	EA	1		
M11	280197	IC DIG PHASE LOCKED LOOP	PHILIPS	74HCT4046AP	EA	1		
M12	280125	IC DIG PHASE DETECTOR	NATIONAL	MM74C932N	EA	1		

DATRON INSTRUMENTS LTD PARTS LIST 07-Jan-92 DESC: ASSY PCB SINE SOURCE 4700 DRG NO: LP400446-11 REV: 5 PAGE NO: 11

DESIG	PART NO	DESCRIPTION	PRINC MANUF	MANUF PART NUMBER	CLASS	UM	QUANTITY	CHANGES
M13	280011	IC DIG FLIP FLOP D X2	MOTOROLA	MC14013BCP	EA	-		
M14	280080	IC DIG HEX SCHMITT TRIGGER	NATIONAL	74C14N	EA	2		
M15	260046	IC LIN OP AMP	HARRIS	HA3 2525-5	EA	3		
M16	260076	IC LIN I MIRROR 1:1	TEXAS	TL011CLP	EA	4		
M17	290090	IC DIG DRIVER DARLINGTON X7	EXAR	XR2202CP	A	EA	4	
M18	260076	IC LIN I MIRROR 1:1	TEXAS	TL011CLP	EA	-		
M19	260134	IC LIN OP AMP FET IP F/SET	ANALOG DEVICES	AD744JN	A	EA	2	
M20	290090	IC DIG DRIVER DARLINGTON X7	EXAR	XR2202CP	EA	-		
M21	280080	IC DIG HEX SCHMITT TRIGGER	NATIONAL	74C14N	EA	-		
M22	260087	IC LIN OP AMP BIFET	MOTOROLA	MC34081P	EA	5		
M23	260133	IC LIN OP AMP	MOTOROLA	MC34080P	EA	2		
M24	260087	IC LIN OP AMP BIFET	MOTOROLA	MC34081P	EA	-		
M25	260087	IC LIN OP AMP BIFET	MOTOROLA	MC34081P	EA	-		
M26	260076	IC LIN I MIRROR 1:1	TEXAS	TL011CLP	EA	-		
M27	260076	IC LIN I MIRROR 1:1	TEXAS	TL011CLP	EA	-		
M28	290090	IC DIG DRIVER DARLINGTON X7	EXAR	XR2202CP	A	EA	-	
M29	280035	IC DIG DECODER BCDTODEC	MOTOROLA	MC14028BCP	EA	1		
M30	260134	IC LIN OP AMP FET IP F/SET	ANALOG DEVICES	AD744JN	EA	-		
M31	260133	IC LIN OP AMP	MOTOROLA	MC34080P	EA	-		
M32	260057	IC LIN OP AMP	SIGNETICS	NE5534N	EA	1		
M33	290090	IC DIG DRIVER DARLINGTON X7	EXAR	XR2202CP	A	EA	-	
M34	290000	TRAN NPN ARRAY X 5	SILICON GENERAL	SG3083J	A	EA	2	
M35	260042	IC LIN OP AMP DUAL	SIGNETICS	NE5532N	EA	2		
M36	280023	IC DIG NOR2 QUAD	MOTOROLA	MC14001UBCP	EA	1		
M37	260078	IC LIN V COMP DUAL	NATIONAL	LM393AN	EA	1		
M38	280126	IC DIG DAC	ANALOG DEVICES	AD7527LN	A	EA	1	
M39	260033	IC LIN REG 5V .1A	MOTOROLA	MC78L05ACP	A	EA	3	
M40	290000	TRAN NPN ARRAY X 5	SILICON GENERAL	SG3083J	A	EA	-	
M41	260042	IC LIN OP AMP DUAL	SIGNETICS	NE5532N	EA	-		
M42	280127	IC DIG DAC MULT 10BIT	ANALOG DEVICES	AD7533JN	EA	2		
M43	280127	IC DIG DAC MULT 10BIT	ANALOG DEVICES	AD7533JN	EA	-		
M44	260087	IC LIN OP AMP BIFET	MOTOROLA	MC34081P	A	EA	-	
M45	260027	IC LIN OP AMP	FAIRCHILD	UA714HC	EA	1		
M46	260046	IC LIN OP AMP	HARRIS	HA3 2525-5	EA	-		
M47	260087	IC LIN OP AMP BIFET	MOTOROLA	MC34081P	EA	-		
M48	260046	IC LIN OP AMP	NATIONAL	LM319N	EA	1		
M49	260049	IC LIN V COMP DUAL	MOTOROLA	MC78L05ACP	A	EA	-	
M50	260033	IC LIN REG 5V .1A	MOTOROLA	MC78L05ACP	A	EA	-	
M51	260033	IC LIN REG 5V .1A	MOTOROLA	MC78L05ACP	EA	-		
RL1	330012-3	RELAY 1PNO REED GUARDED	HAMLIN	HE721A5134	TO DRG	EA	8	
RL2	330012-3	RELAY 1PNO REED GUARDED	HAMLIN	HE721A5134	TO DRG	EA	-	
RL3	330012-3	RELAY 1PNO REED GUARDED	HAMLIN	HE721A5134	TO DRG	EA	-	
RL4	330012-3	RELAY 1PNO REED GUARDED	HAMLIN	HE721A5134	TO DRG	EA	-	
RL5	330012-3	RELAY 1PNO REED GUARDED	HAMLIN	HE721A5134	TO DRG	EA	-	
RL6	330012-3	RELAY 1PNO REED GUARDED	HAMLIN	HE721A5134	TO DRG	EA	-	

DESIGN	PART NO	DESCRIPTION	PRINC MANUF	MANUF PART NUMBER	CLASS	UM	QUANTITY	CHANGES
R17	330012-3	RELAY 1P4C REED GUARDED	HAMLIN	HE721AS134 TO DRG	EA	-		
R18	330012-3	RELAY 1P4C REED GUARDED	HAMLIN	HE721AS134 TO DRG	EA	-		
L1	370003	CHCKE RF 1mH 43R	SIGMA	SC10	EA	2		
L2	370001	CHCKE RF 10UH	SIGMA	SC10/25	A	EA	6	
L3	370001	CHCKE RF 10UH	SIGMA	SC10/25	A	EA	-	
L4	370001	CHCKE RF 10UH	SIGMA	SC10/25	A	EA	-	
L5	370001	CHCKE RF 10UH	SIGMA	SC10/25	A	EA	-	
L6	370001	CHCKE RF 10UH	SIGMA	SC10/25	A	EA	-	
L7	370026	CHCKE RF 1UH 990MA	SIGMA	SC10	EA	1		
L8	370003	CHCKE RF 1mH 43R	SIGMA	SC10	EA	-		
L9	370001	CHCKE RF 10UH	SIGMA	SC10/25	A	EA	-	
	410171-12	PCB SINE SOURCE 4000		SEE DRG	EA	1		
	420098	LABEL SERIAL/ASSY No	RS COMPONENTS	554-793	EA	1		
	420112-1	LABEL SSD WARNING 12 X 12mm	TEKNIS	LN1212	A	EA	1	
	450450-1	HEATSINK SINE SOURCE 4200		SEE DRG	EA	1		
	450841-1	SCREEN SINE SOURCE 4700		SEE DRG	EA	1		
	512999	WIRE 7/2 PTFE 1KV WHT	BSG210	TYPE C	AR	1		
	540002	WIRE 1/.7 TINNED COPPER	BS4109	22SWG	AR	1		
	590001	SLEEVE NP 1.5 X 20MM BLK	HELLERMANN	H15 X 20MM BLK	EA	1		
	602001	TERMINAL FSX	MILL-MAX	1165015013002102	A	EA	8	
	604046	PLUG PCB 3-WAY .1"	MOLEX	22-10-2031	EA	2		
	605059	SOCKET PCB 9-WAY DIL	JERMYN	J23-18008	A	EA	17	
	605060	SOCKET PCB 14-WAY DIL	JERMYN	J23-18014	A	EA	9	
	605061	SOCKET PCB 16-WAY DIL	JERMYN	J23-18016	A	EA	16	
	605065	SOCKET PCB 28-WAY DIL	JERMYN	J23-18028	A	EA	1	
	605127	SOCKET LINK 2-WAY .1" BLK	ASSMANN	AKSPL-G	EA	2		
	611007	SCREW M3 X 6 PCZ1CSK SZP			EA	4		
	611016	SCREW M3 X 8 PCZ1PAN SZP			EA	2		
	611025	SCREW M3 X 16 PCZ1CSK SZP			EA	1		
	612004-1	STANDOFF M3 X 4		SEE DRG	EA	4		
	612026-1	STANDOFF M3 X 6		SEE DRG	EA	1		
	613005	WASHER M3 INT SHAKP SZP			EA	2		
	615002	NUT FULL M3 SZP			EA	2		
	620003	PIN SOLDER	MILL-MAX	3130200010000080	EA	2		
	620007	TEST POINT TERMINAL	MICROVAR	TYPE C30	EA	31		
	630024	BEAD CERAMIC 16 SWG	PARK ROYAL PORCELAIN	NC2/D0006	EA	8		
	630107	STRIP BRASS 15.5 X 0.38mm	RIGHTON	CZ108 1/2H	AR	1		
	630120	PCB EJECTOR YELLOW	RICHCO	CBE	EA	2		
	900003	HEATSINK COMPOUND	RS COMPONENTS	554-311	AR	1		
	920089-1	HEATSINK TO220	THERMALLOY	6073B	EA	2		

End





DESIG	PART NO	DESCRIPTION	PRINC MANUF	MANUF PART NUMBER	CLASS	UM	QUANTITY	CHANGES
R17	330012-3	RELAY 1PNC REED GUARDED	HAMLIN	HE721A5134 TO DRG				EA -
R18	330012-3	RELAY 1PNC REED GUARDED	HAMLIN	HE721A5134 TO DRG				EA -
L1	370003	CHCKE RF 1mH 40R	SIGMA	SC10				EA 2
L2	370001	CHCKE RF 10UH	SIGMA	SC10/25	A			EA 6
L3	370001	CHCKE RF 10UH	SIGMA	SC10/25	A			EA -
L4	370001	CHCKE RF 10UH	SIGMA	SC10/25	A			EA -
L5	370001	CHCKE RF 10UH	SIGMA	SC10/25	A			EA -
L6	370001	CHCKE RF 10UH	SIGMA	SC10/25	A			EA -
L7	370026	CHCKE RF 1UH 890mA	SIGMA	SC10				EA 1
L8	370003	CHCKE RF 1mH 40R	SIGMA	SC10				EA -
L9	370001	CHCKE RF 10UH	SIGMA	SC10/25	A			EA -
	410171-12	PCB SINE SOURCE 4300		SEE DRG				EA 1
	420098	LABEL SERIAL/ASSY No	RS COMPONENTS	534-793				EA 1
	420112-1	LABEL SSD WARNING 12 X 12mm	TEKNIS	LN1212	A			EA 1
	450450-1	HEATSINK SINE SOURCE 4200		SEE DRG				EA 1
	450841-1	SCREEN SINE SOURCE 4700		SEE DRG				EA 1
	512999	WIRE 7/.2 PTFE 1KV WHT	BSG210	TYPE C				AR 1
	540002	WIRE 1/.7 TINNED COPPER	BS4109	22SWG				AR 1
	590001	SLEEVE NP 1.5 X 20MM BLK	HELLERMANN	H15 X 20MM BLK				EA 1
	620001	TERMINAL PSV	MILL-MAX	1065015013002102	A			EA 8
	604046	PLUG PCB 3-WAY .1"	MOLLEX	22-10-2031				EA 2
	605059	SOCKET PCB 3-WAY DIL	JERMYN	J23-18008	A			EA 17
	605060	SOCKET PCB 14-WAY DIL	JERMYN	J23-18014	A			EA 9
	605061	SOCKET PCB 16-WAY DIL	JERMYN	J23-18016	A			EA 16
	605065	SOCKET PCB 28-WAY DIL	JERMYN	J23-18028	A			EA 1
	605127	SOCKET LINK 2-WAY .1" BLK	ASSMANN	AKSPL-G				EA 2
	611007	SCREW M3 X 6 POZICSK SZP						EA 4
	611016	SCREW M3 X 8 POZIPAN SZP						EA 2
	611025	SCREW M3 X 16 POZICSK SZP						EA 1
	612004-1	STANDOFF M3 X 4		SEE DRG				EA 4
	612026-1	STANDOFF M3 X 6		SEE DRG				EA 1
	613005	WASHER M3 INT SHAKP SZP						EA 2
	615002	NUT FULL M3 SZP						EA 2
	620003	PIN SOLDER	MILL-MAX	3130200010000080				EA 2
	620007	TEST POINT TERMINAL	MICROVAR	TYPE C30				EA 31
	630024	BEAD CERAMIC 16 SWG	PARK ROYAL PORCELAIN	№2/D0006				EA 8
	630107	STRIP BRASS 15.5 X 0.38mm	RIGHTON	C2108 1/2H				AR 1
	630120	PCB EJECTOR YELLOW	RICHCO	CBE				EA 2
	900003	HEATSINK COMPOUND	RS COMPONENTS	554-311				AR 1
	920089-1	HEATSINK TO220	THERMALLOY	6073B				EA 2

End

