

6

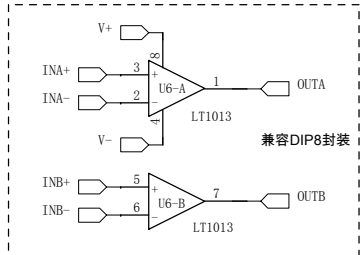
5

4

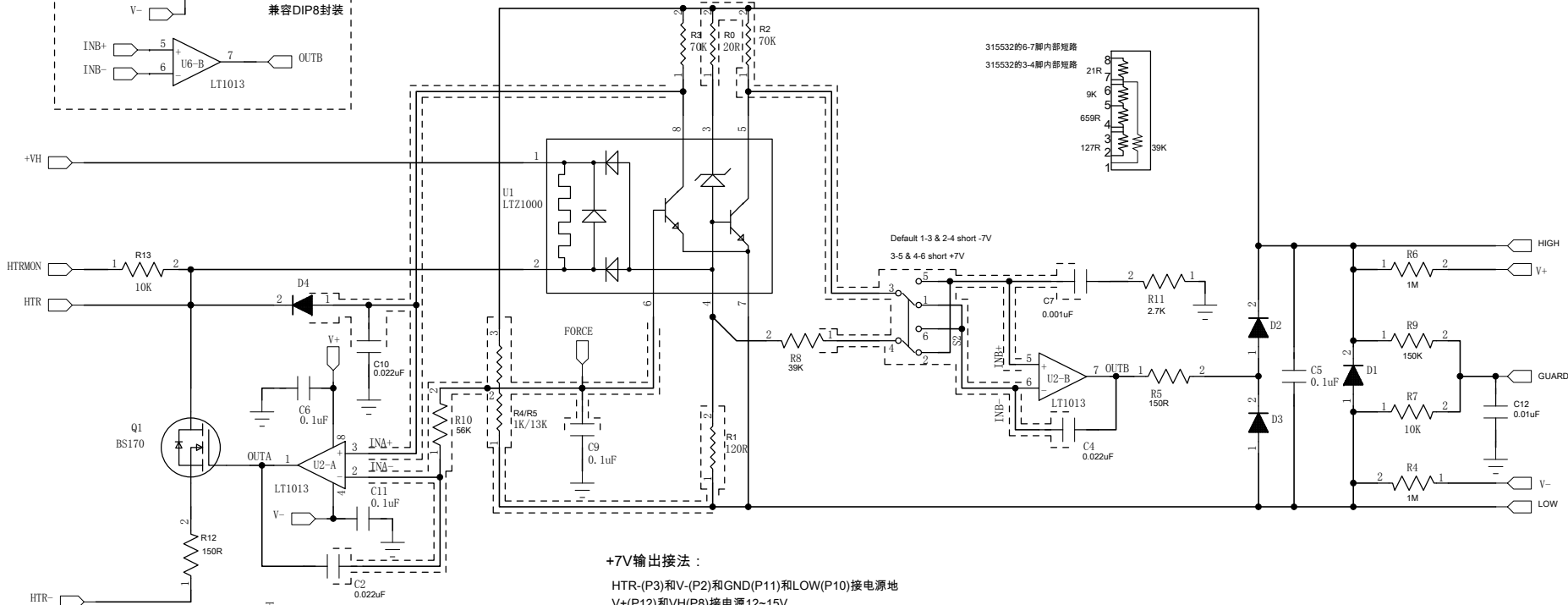
3

2

1



兼容DIP8封装

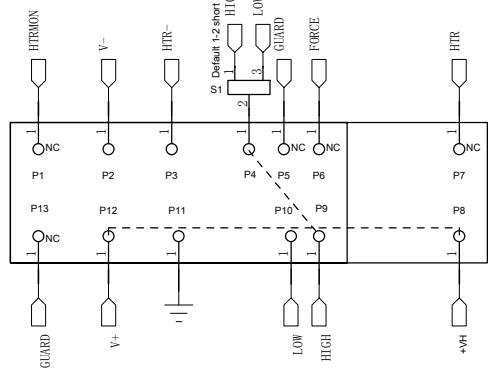


+7V输出接法：

HTR-(P3)和V-(P2)和GND(P11)和LOW(P10)接电源地
 V+(P12)和VH(P8)接电源12~15V
 HIGH(P9)和LOW(P10)是基准输出
 R12阻值改小或者直接短路，R4，R13可不安装，二极管使用1N4148

-7V输出接法：

HTR-(P3)和GND(P11)和HIGH(P9)接电源地
 V+(P12)和VH(P8)接电源+12~+15V，V-(P2)接-12~-15V
 HIGH(P9)和LOW(P10)是基准输出



REVISION RECORD			
LTR	ECO NO:	APPROVED:	DATE:

COMPANY:			
TITLE:			
CODE:	SIZE:	DRAWING NO:	REV:
B		C	
SCALE:			SHEET: 1 OF 2

DRAWN:	enjoydiy	DATED:	
CHECKED:		DATED:	
QUALITY CONTROL:		DATED:	
RELEASED:		DATED:	

D

D

C

C

B

B

A

A

6

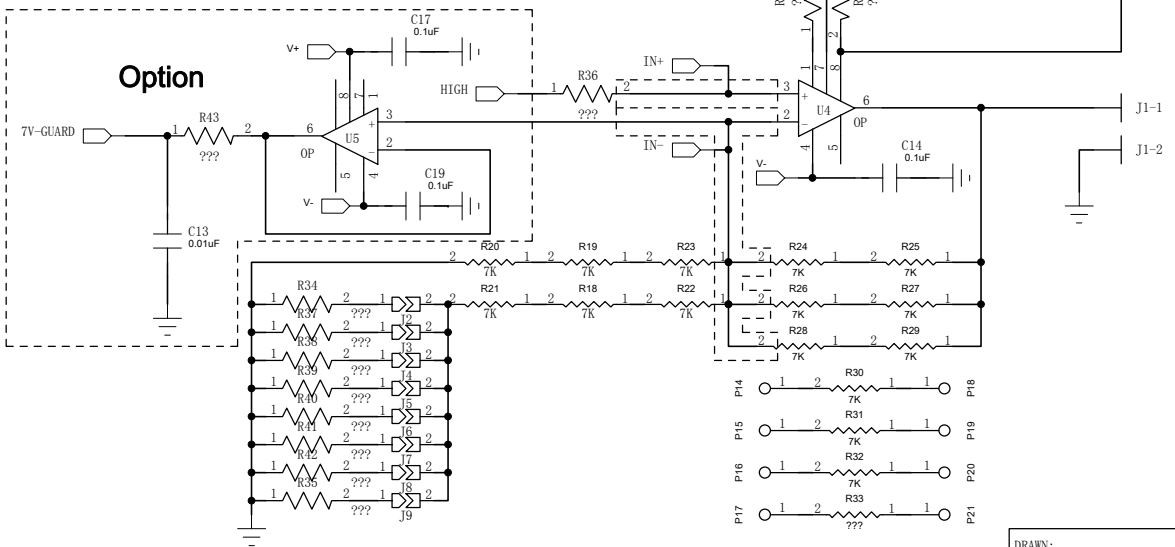
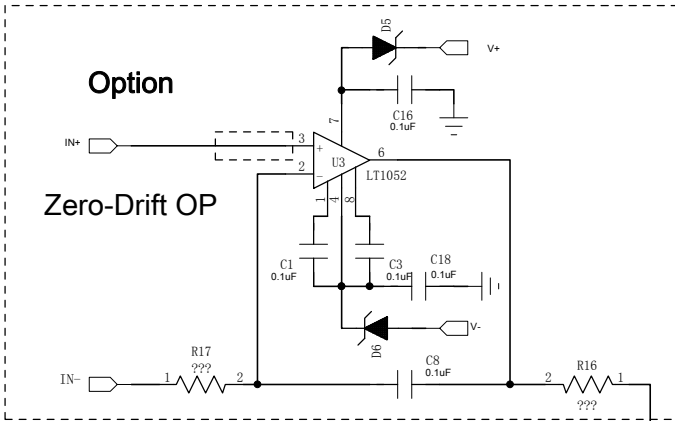
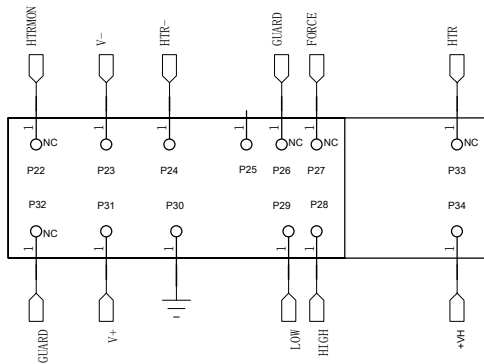
5

4

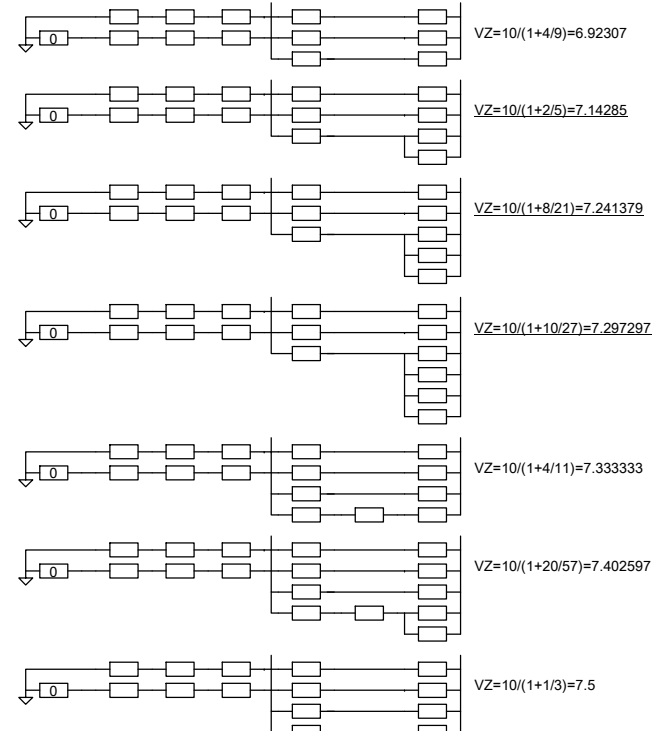
3

2

1



REVISION RECORD			
LTR	ECO NO:	APPROVED:	DATE:



COMPANY:			
TITLE:			
CODE:	SIZE:	DRAWING NO:	REV:
	B		C
SCALE:			SHEET: 2 OF 2

DRAWN: enjoydiy	DATED:
CHECKED:	DATED:
QUALITY CONTROL:	DATED:
RELEASED:	DATED:

D

D

C

C

B

B

A

A