

## DP1211, DP1311

### Dekapot Coaxial-Dial Decade Potentiometer

- Kelvin-Varley circuit, constant input resistance
- Panel-mounting area from 27.1 to 45.2 cm<sup>2</sup>
- Precision resistors throughout
- Solid silver-alloy switch contacts

These Dekapot potentiometers are precision decade resistive voltage dividers featuring the accuracy, high resolution, and constant input impedance of the Kelvin-Varley circuit. They provide known voltage and current ratios for meter calibration, linearity checking, ratio measuring, synchro testing, computer standardization, and many other DC and audio frequency applications.



The stacked dial configuration conserves space without sacrificing operating ease. Each unit occupies less than 45.2 square centimeters of panel space. Convenient in-line reading is provided by the exclusive ESI Dekadial coaxial dial.

The DP1211 offers two decades plus a 100 division potentiometer. The DP1311 offers three decades plus a 100 division potentiometer.

Exceptional stability and reliability are assured by the use of precision resistive elements. The ceramic switch decks are silicone-treated to improve insulation resistance, and the multiple switch contacts are of solid silver-alloy for long life and low contact resistance. All components are shock-mounted within the sturdy dust cover. Sealed units qualified to military specifications are available on special order.

## Specifications

### DP1211 Dekapot Decade Potentiometer

<b>Terminal Linearity*</b>	Initial: $\pm 15$ ppm + 0.5 dial division Long-term: $\pm 20$ ppm + 0.5 dial division
----------------------------	--

\*Mid-scale rating. Improves near end-scale settings.

<b>Coefficients of Linearity</b>	Temperature: $\pm 2$ ppm/ $^{\circ}$ C Power: $\pm 30$ ppm/W for 1k $\Omega$ , $\pm 10$ ppm/W for 10k $\Omega$
----------------------------------	--

<b>Calibration Conditions</b>	23 $^{\circ}$ C, low input power
-------------------------------	----------------------------------

<b>Number of Decades</b>	Two, plus 100-division potentiometer
--------------------------	--------------------------------------

<b>Resolution</b>	0.003%
-------------------	--------

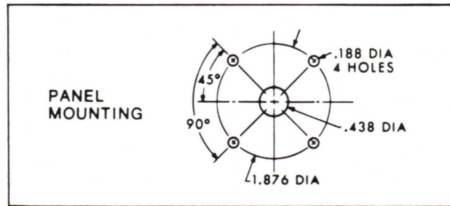
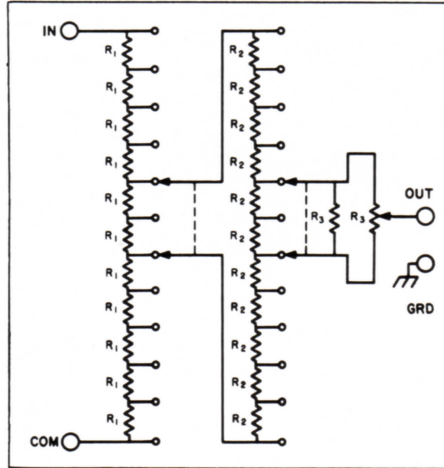
<b>Input Resistance</b>	1, 10k $\Omega$ (accuracy $\pm 0.01\%$ ). Special values on request, with minimum 5 unit order.
-------------------------	---

<b>Maximum Input Power</b>	5W continuous, 10W intermittent
----------------------------	---------------------------------

<b>Breakdown Voltage</b>	1000V peak
--------------------------	------------

<b>Dimensions</b>	Diameter: 3 in. (7.6cm) Depth: 7.2 in. (18.3cm) Depth: (behind panel) 5.9 in. (15cm)
-------------------	--

<b>Weight</b>	1.7 lbs (772gm) net
---------------	---------------------



### DP1311 Dekapot Decade Potentiometer

Specifications for the DP1311 are the same as for the DP1211 except for the following:

<b>Number of Decades</b>	Three, plus 100-division potentiometer
<b>Dimensions</b>	Diameter: 3 in. (7.6cm) Depth: 8.5 in. (24cm) Depth: (behind panel) 6.9 in. (17.6cm)
<b>Weight</b>	2.1 lbs (1kg) net

### Standard Equipment

Models DP1211 and DP1311 come with an 8895 Instruction Sheet.