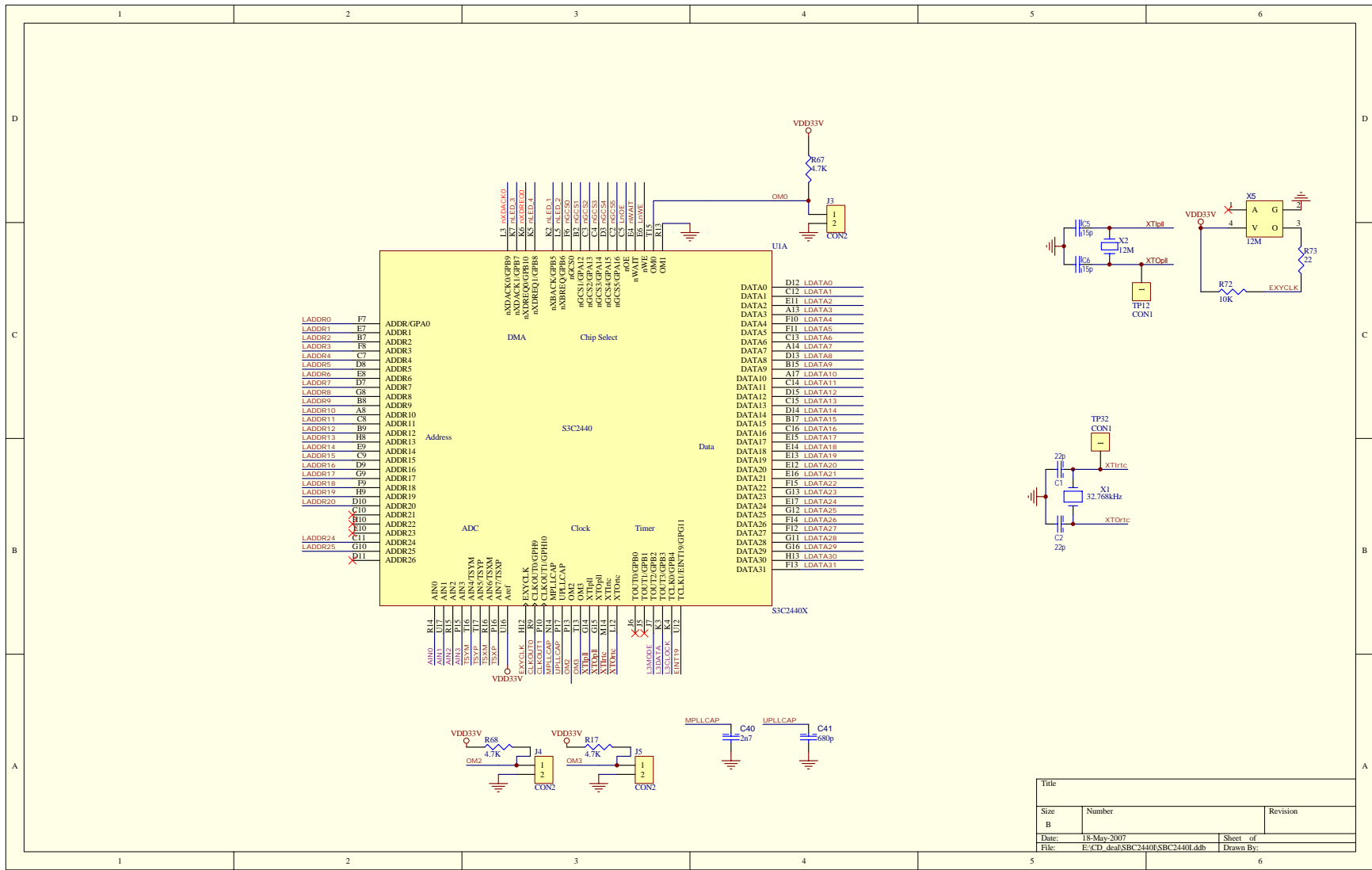
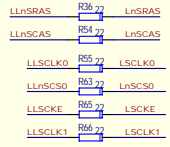
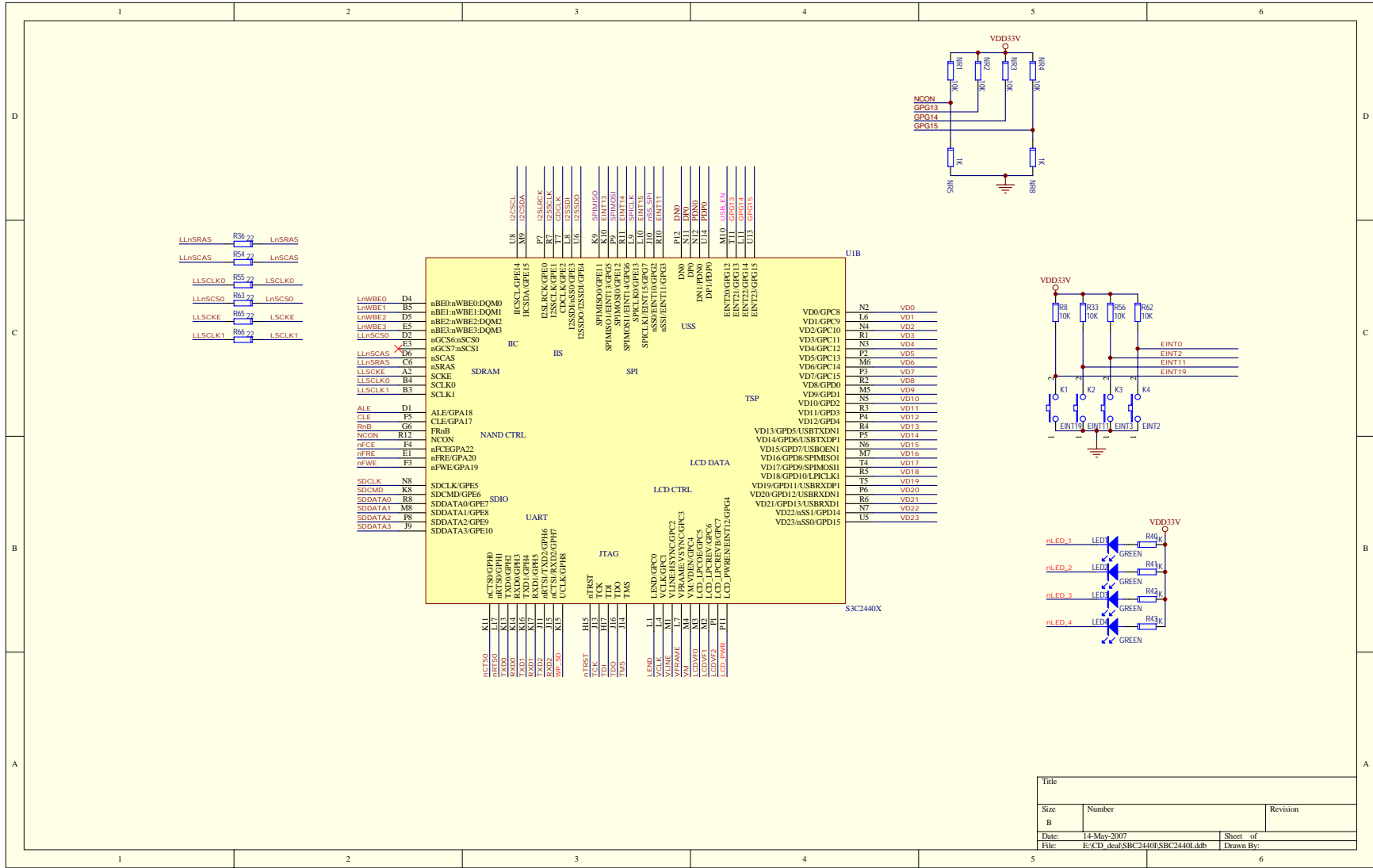


Title		
Size B	Number	Revision
Date:	14-May-2007	Sheet of
File:	E:\CD_deal\SBC2440I\SBC2440I.ddb	Drawn By:

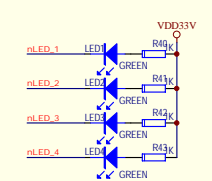
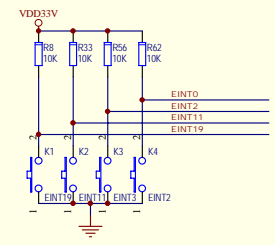


Title		
Size	Number	Revision
B		
Date:	18-May-2007	Sheet of
File:	E:\CD_deal\SBC\2440\SBC2440I.dtb	Drawn By:

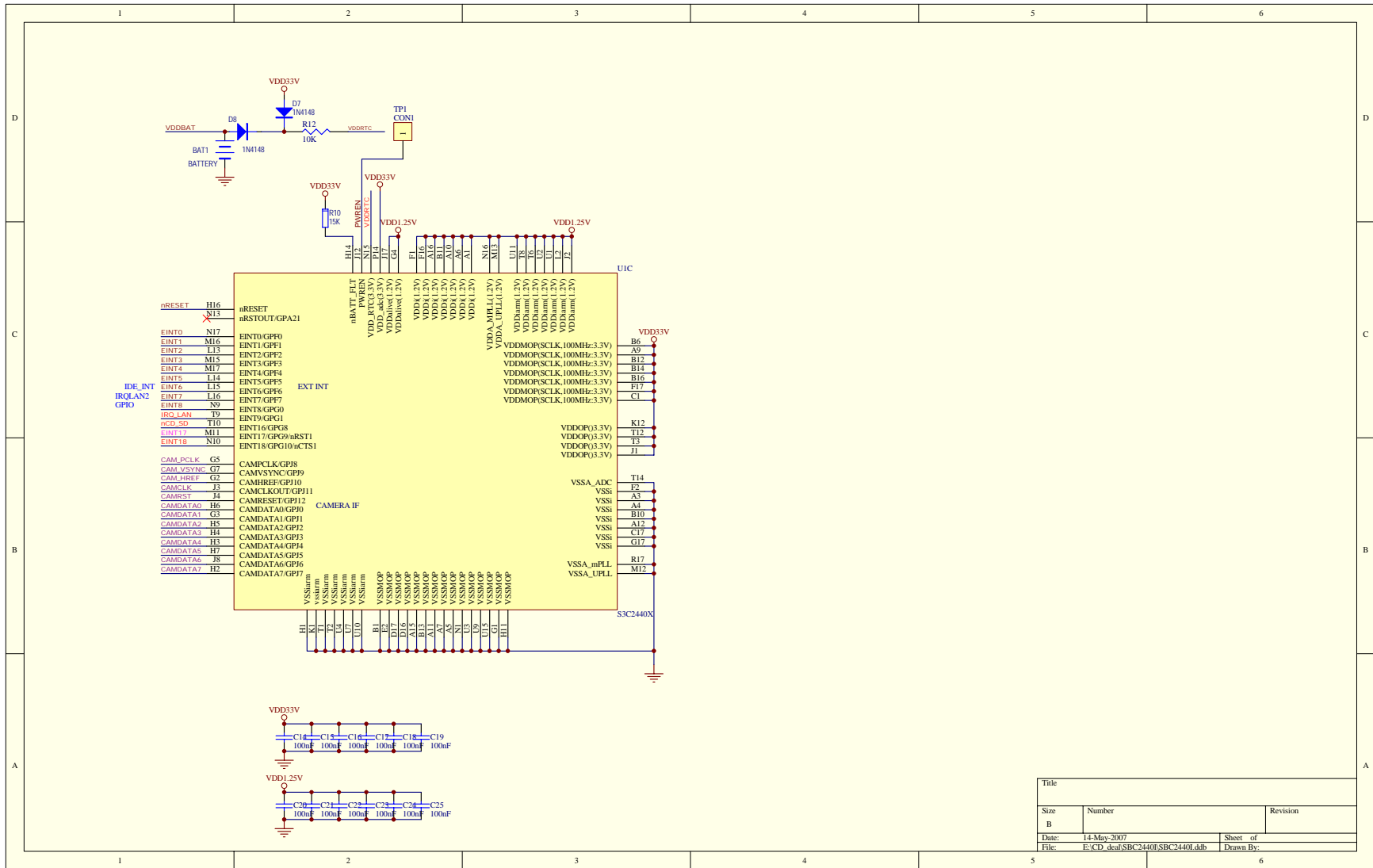


LLnSRAS	D4	nBEO	nWBE0	DQM0
LLnSCAS	B5	nBE1	nWBE1	DQM1
LLnSC50	D5	nBE2	nWBE2	DQM2
LLSCKE	E5	nBE3	nWBE3	DQM3
LLSCLK1	D2	nGC56	nSC50	
	D2	nGC57	nSC51	
LLnSRAS	C6	nSRAS		
LLSCKE	A2	nSCKE		
LLSCLK0	B4	SCLK0		
LLSCLK1	B3	SCLK1		
ALE	D1	ALE/GPA18		
CLE	F5	CLE/GPA17		
RnB	G6	FRnB		
NCN	R12	NCN		
nFRE	F4	nFCE/GPA22		
nFRE	E1	nFRE/GPA20		
nFRE	F3	nFRE/GPA19		
SDCLK	N8	SDCLK/GPE5		
SDCMD	K8	SDCMD/GPE6		
SDATA0	R8	SDATA0/GPE7		
SDATA1	M8	SDATA1/GPE8		
SDATA2	P8	SDATA2/GPE9		
SDATA3	J9	SDATA3/GPE10		

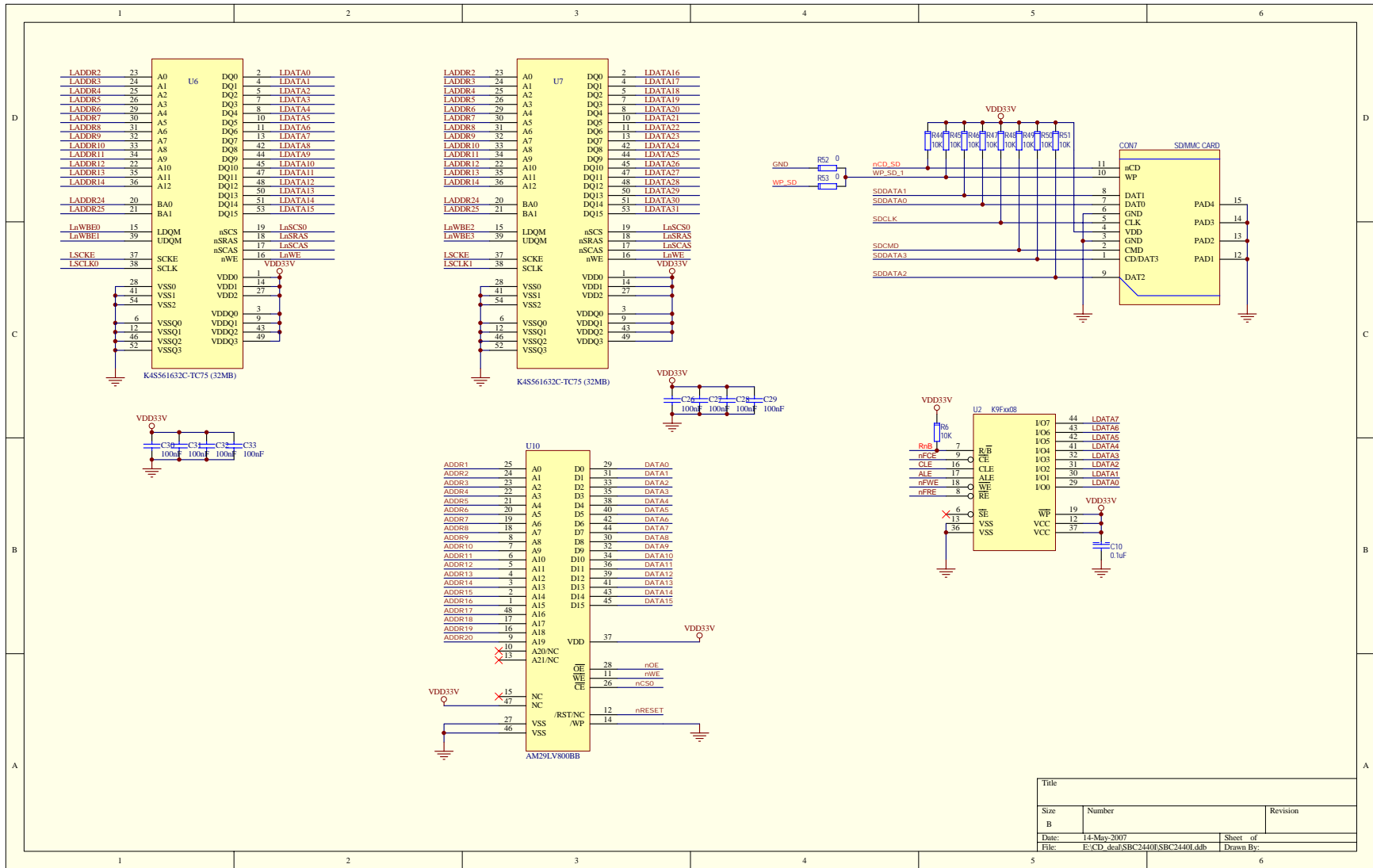
U8	U2CSCL	U13	GPC15
M9	U2SRA	U14	GPC14
P7	U2SCK	U15	GPC13
K7	U2SCLK	U16	GPC12
T7	U2CLK	U17	GPC11
G8	U2CLK	U18	GPC10
L8	U2S50	U19	GPC9
U9	U2S50	U20	GPC8
K9	SPMIS0	U21	GPC7
K10	SPMIS0	U22	GPC6
K11	SPMIS0	U23	GPC5
R11	SPMIS0	U24	GPC4
L9	SPMIS0	U25	GPC3
L9	SPMIS0	U26	GPC2
J10	SPMIS0	U27	GPC1
J10	SPMIS0	U28	GPC0
R10	SPMIS0	U29	GPC0
P12	DN0	U30	GPC0
N11	DN0	U31	GPC0
N12	DN0	U32	GPC0
U14	DPD0	U33	GPC0
U14	DPD0	U34	GPC0
M10	USBE_LN	U35	GPC0
T11	GPC13	U36	GPC0
U13	GPC15	U37	GPC0



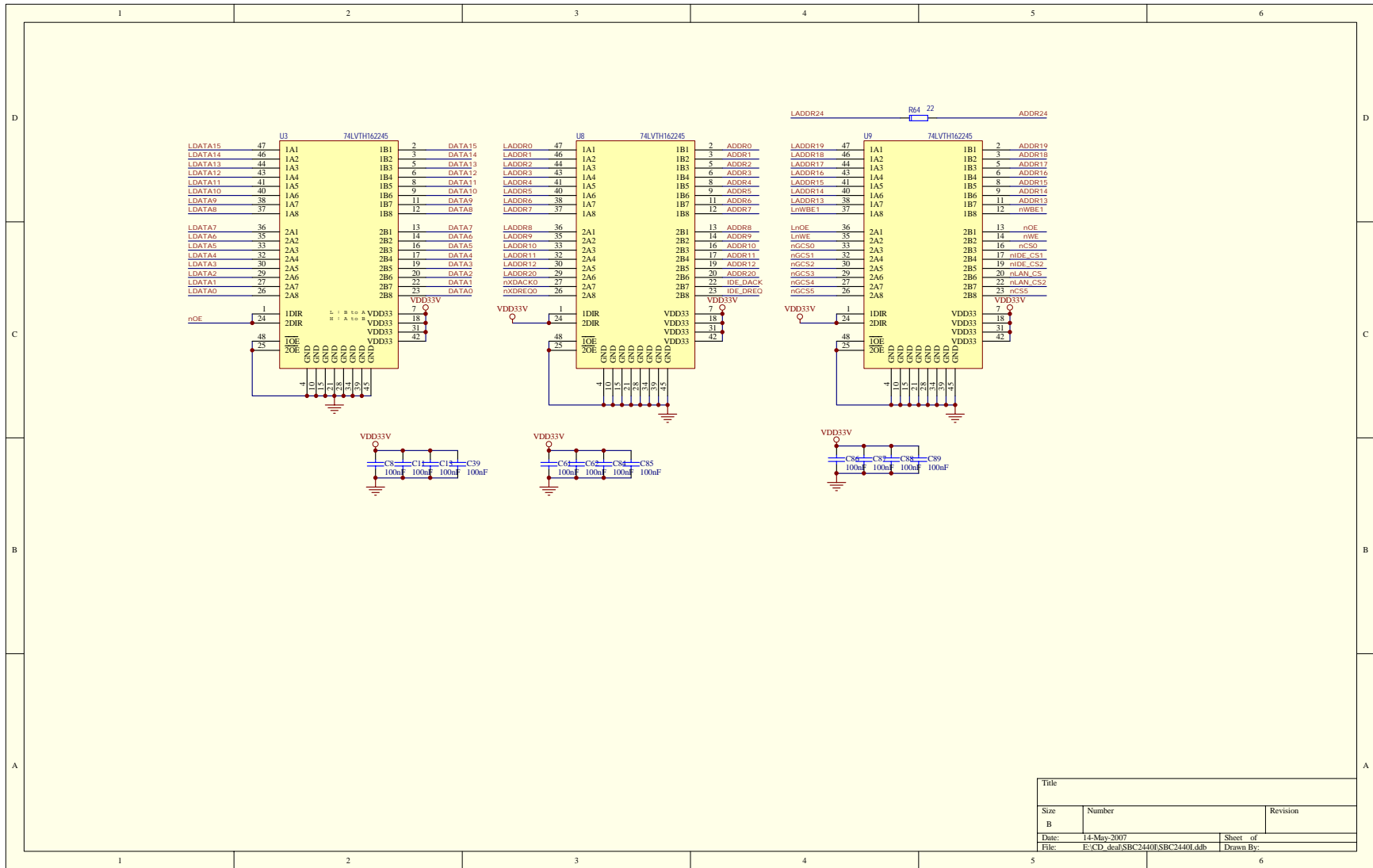
Title		
Size	Number	Revision
B		
Date:	14-May-2007	Sheet of
File:	E:\CD_deal\SBC2440\SBC2440I.dtb	Drawn By:



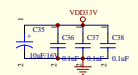
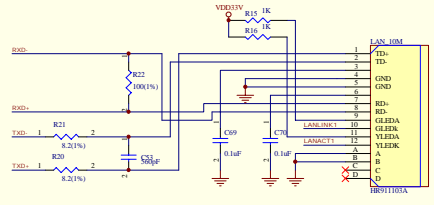
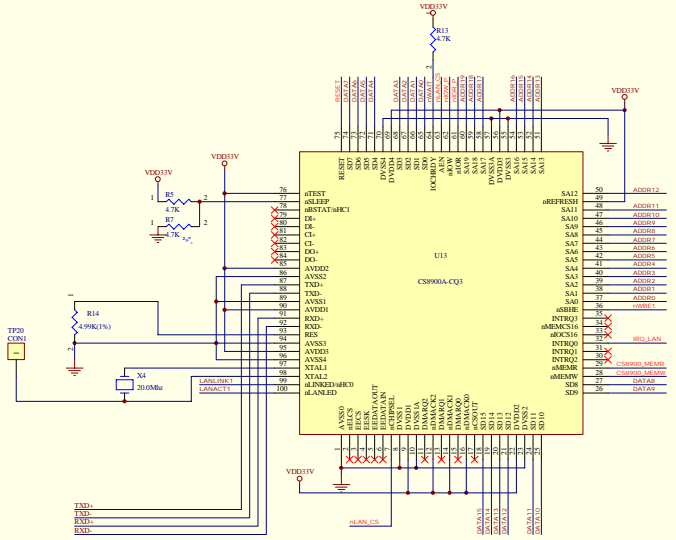
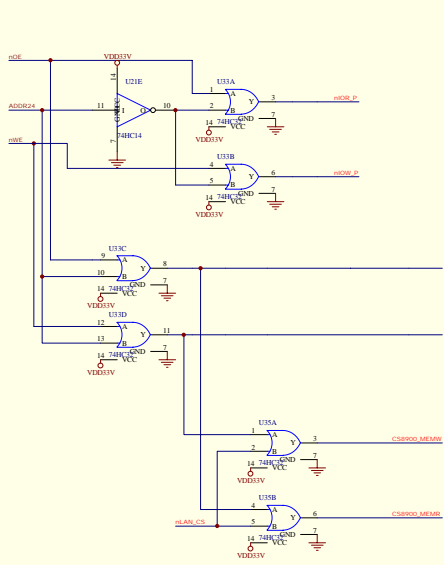
Title		
Size	Number	Revision
B		
Date:	14-May-2007	Sheet of
File:	E:\CD_deal\SBC2440I\SBC2440I.dtb	Drawn By:



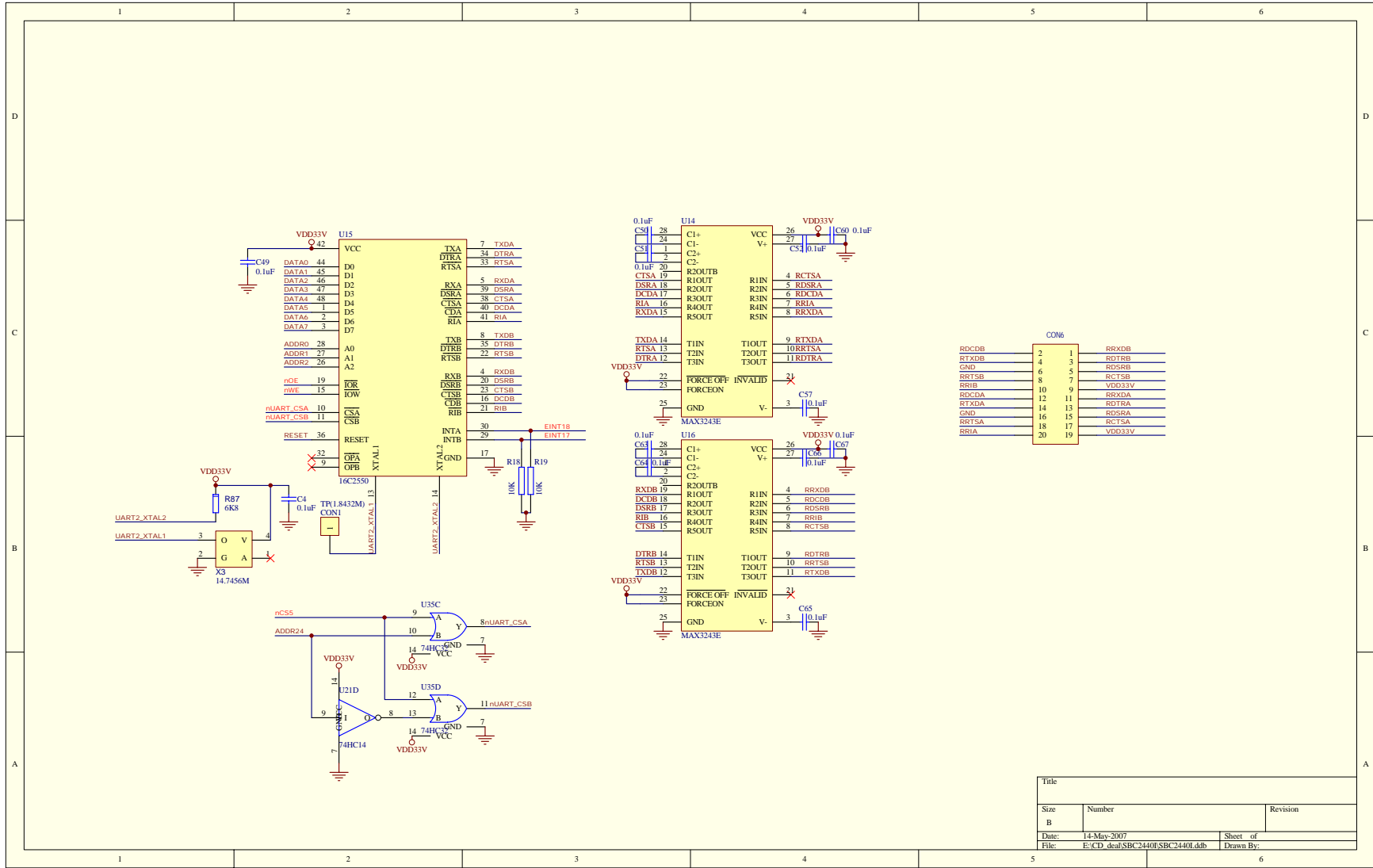
Title		
Size	Number	Revision
B		
Date:	14-May-2007	Sheet of
File:	E:\CD deal\SBC2440\SBC2440I.ddb	Drawn By:



Title		
Size	Number	Revision
B		
Date:	14-May-2007	Sheet of
File:	E:\CD_deal\SBC2440I\SBC2440I.dtb	Drawn By:



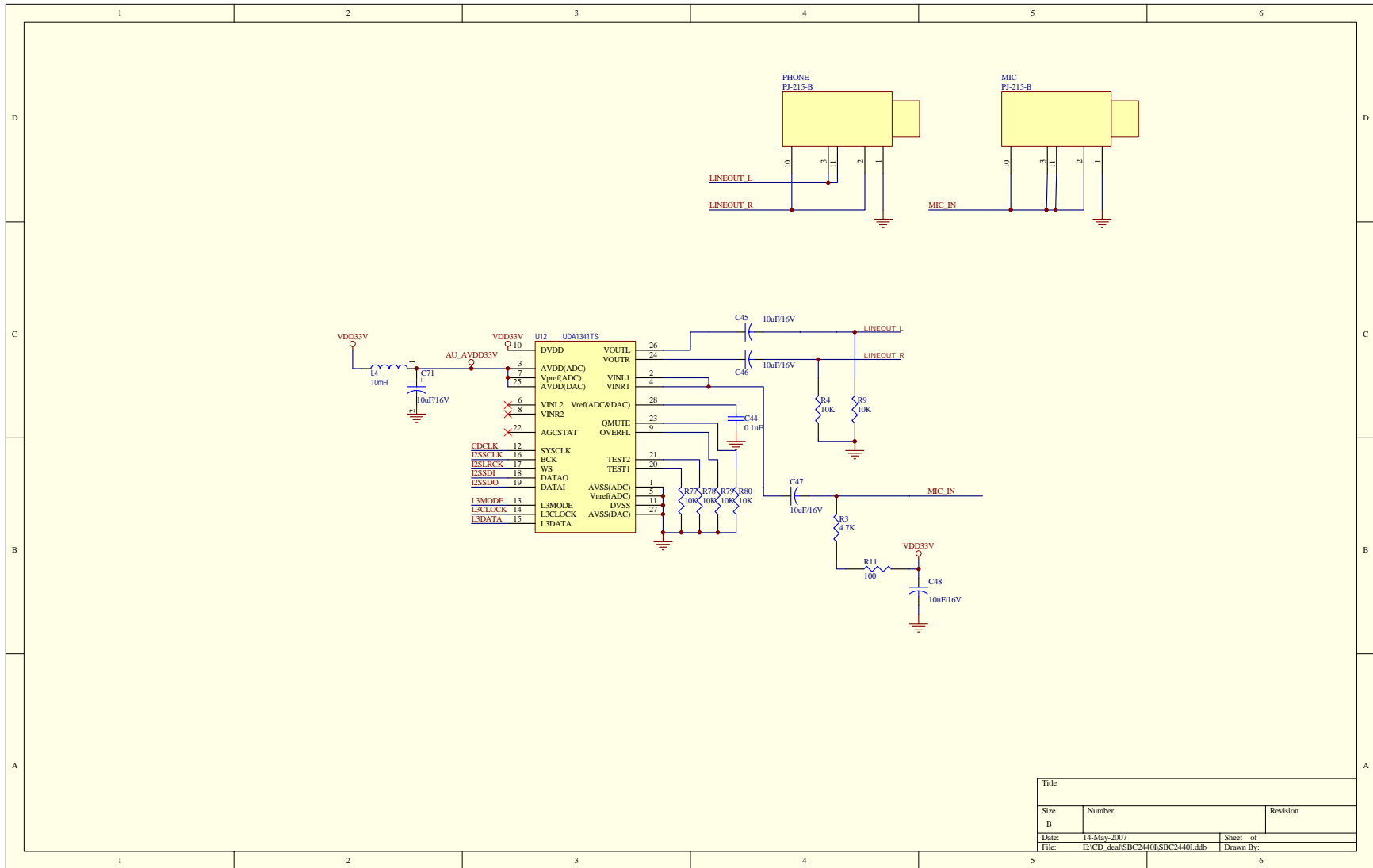
Title		
Size	Number	Revision
C	14-MAY-2007	
Date	14-May-2007	Sheet of
File	E:\CD_dvb\SPC2440\SPC2440.dwg	Drawn By



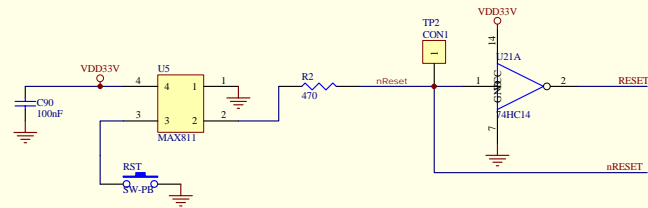
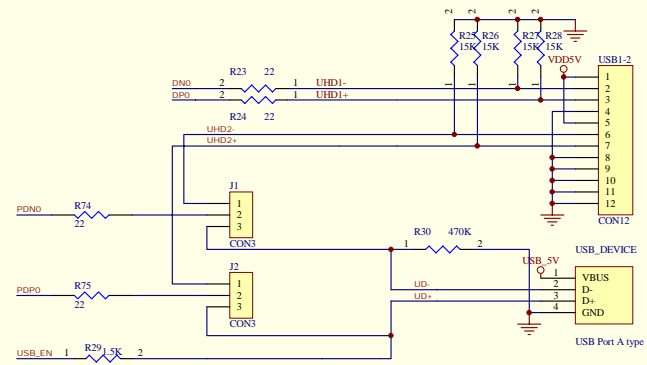
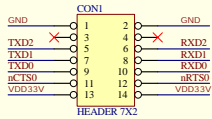
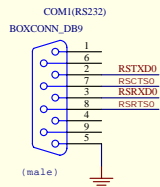
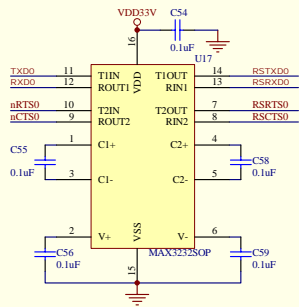
CON6

RDCDB	2	1	BRXDB
RTXDB	4	3	RDRB
GND	6	5	RDSRB
RRTSB	8	7	RCTSB
RRIB	12	11	VDD33V
RDCDA	10	9	BRXDA
RTXDA	14	13	RDTRA
GND	16	15	RDSRA
RRTSA	18	17	RCTSA
RRIA	20	19	VDD33V

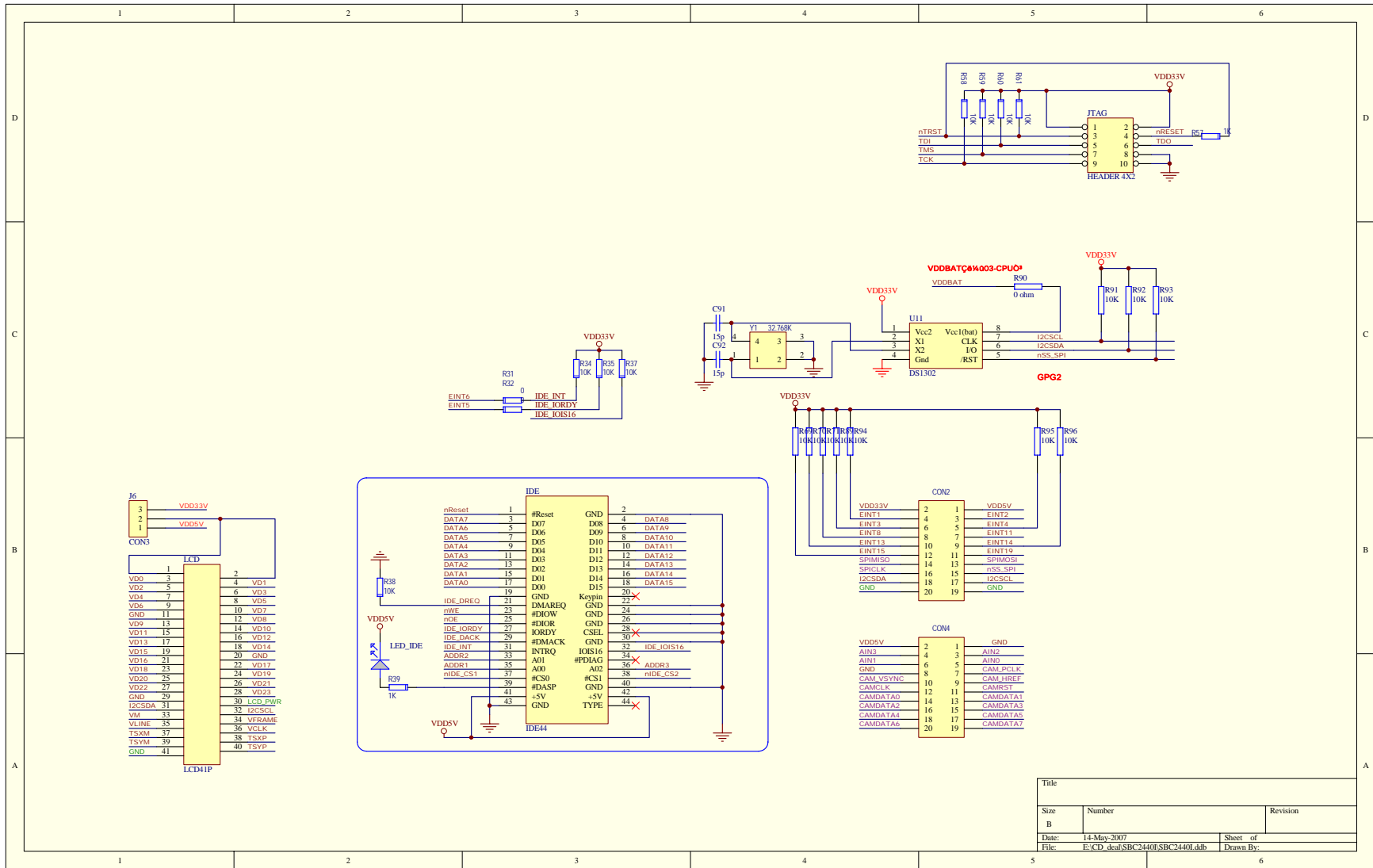
Title		
Size	Number	Revision
B		
Date:	14-May-2007	Sheet of
File:	E:\CD_deal\SBC2440F\SBC2440F.dtb	Drawn By:



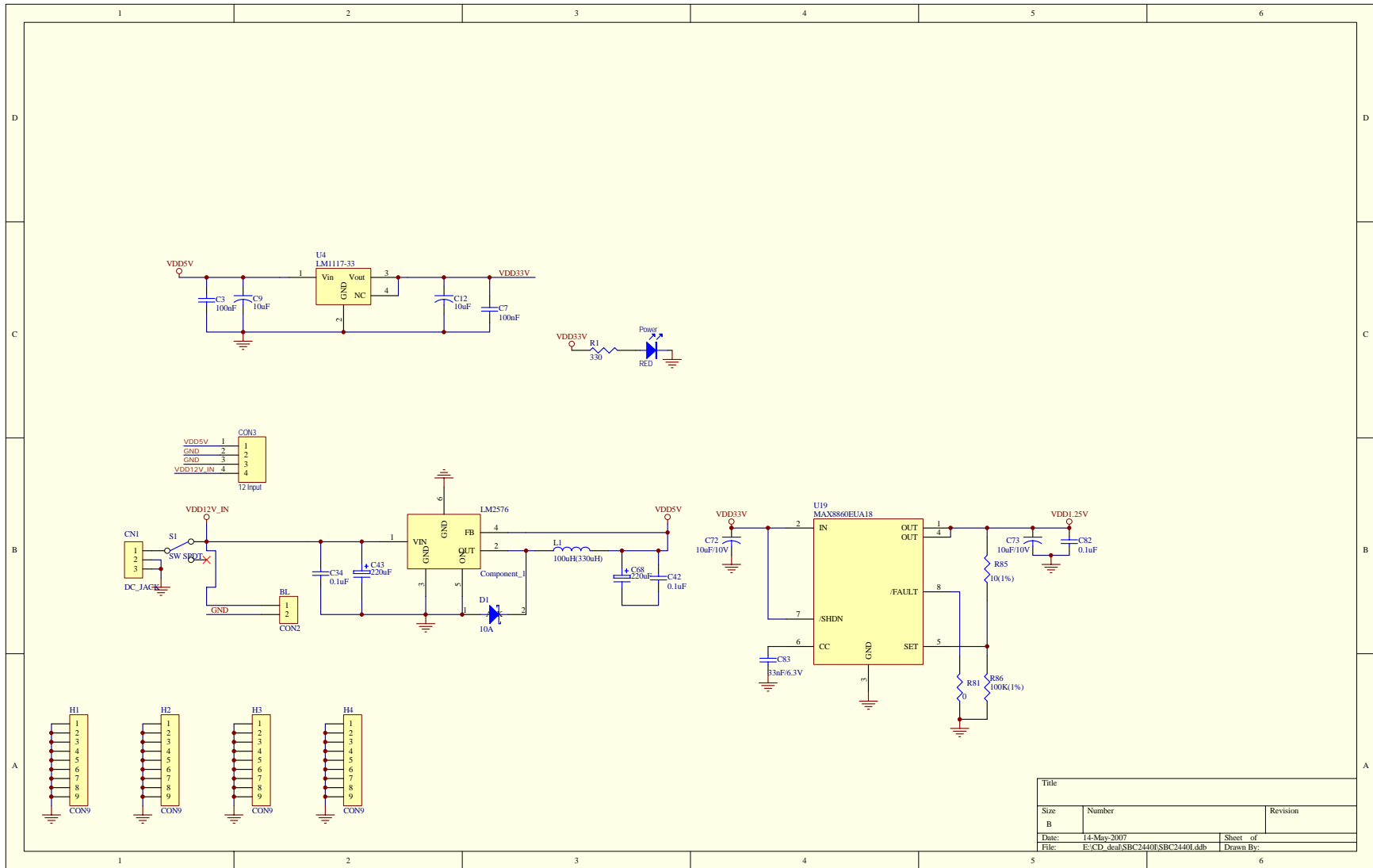
Title		
Size	Number	Revision
B		
Date:	14-May-2007	Sheet of
File:	E:\CD_deal\SBC2440\SBC2440I.dtb	Drawn By:



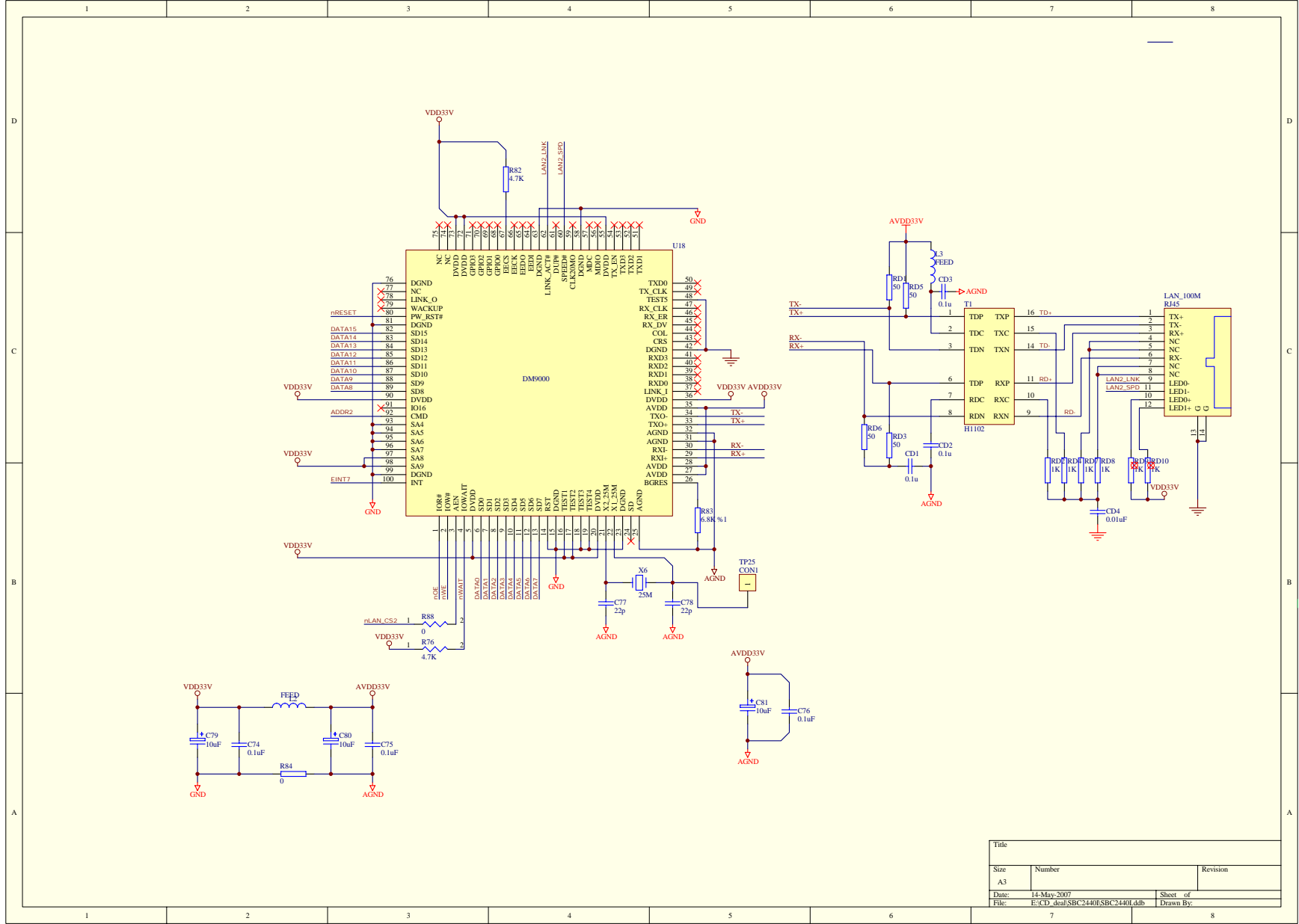
Title		
Size	Number	Revision
B		
Date:	14-May-2007	Sheet of
File:	E:\CD_deal\SBC2440I\SBC2440I.ddb	Drawn By:



Title		
Size	Number	Revision
B		
Date:	14-May-2007	Sheet of
File:	E:\CD_deal\SBC2440\SBC2440I.dtb	Drawn By:



Title		
Size	Number	Revision
B		
Date:	14-May-2007	Sheet of
File:	E:\CD_deal\SBC2440I\SBC2440I.dtb	Drawn By:



Title		
Size	Number	Revision
A3		
Date:	14-May-2007	Sheet of
File:	E:\CD_deaf\SBC2440\SBC24401.ddb	Drawn By: