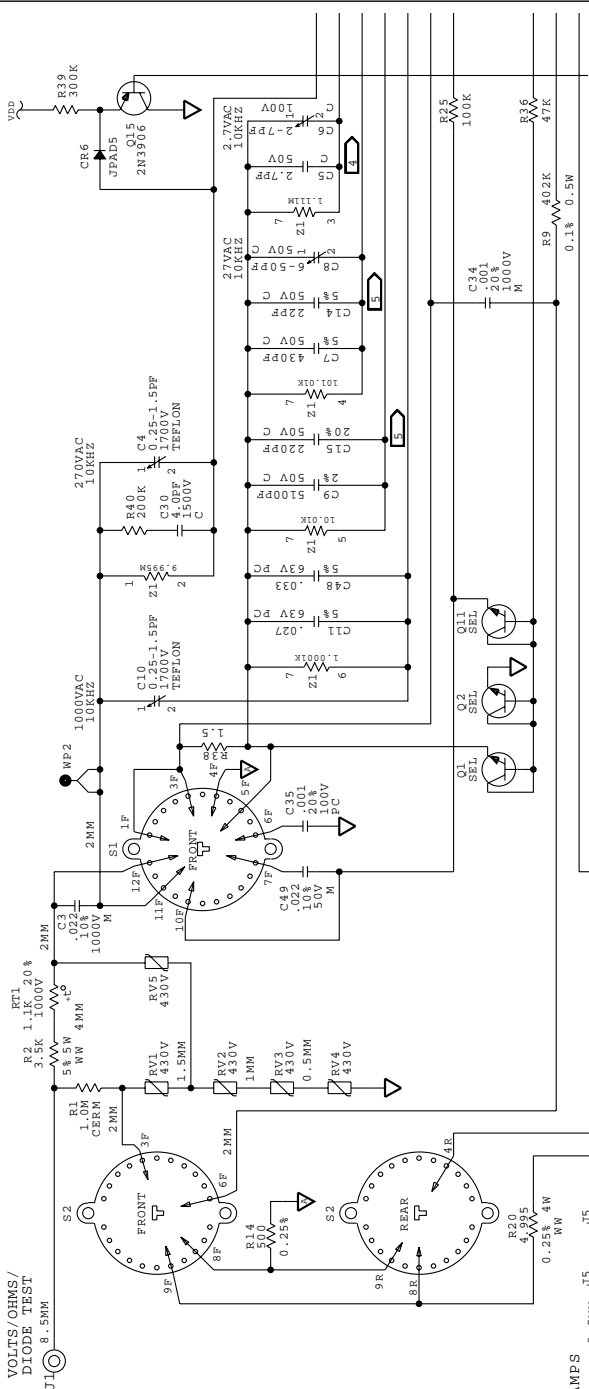
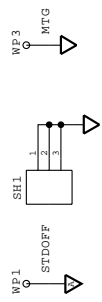
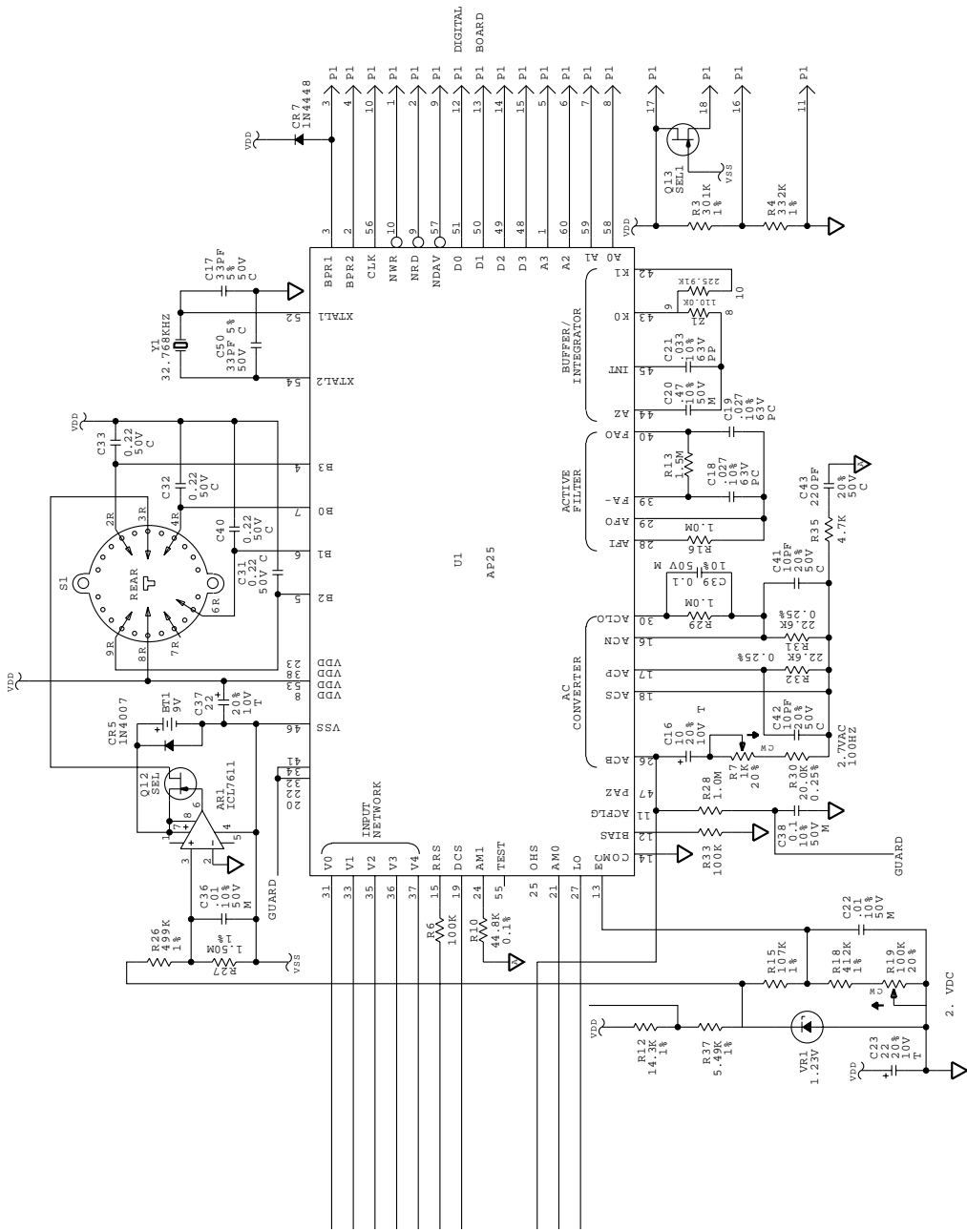


VOLTS/OHMS/
DIODE TEST

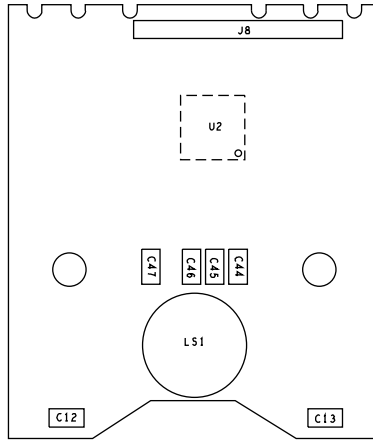


ROTARY SWITCH CONNECTIONS				
POSITION	S1P	S1R	S2P	S2R
OFF (UP)	5-7	2-6-8	-	4-8
VAC	4-5	3-6-8	-	4-8-9
6-7	7-10-11	3-4-6-8	-	4-9
MVAC	3-5	2-3-8-9	6-8	4-8
MVAC/AAC	11-12	11-12	6-9	4-8
UAC	4-5	3-8-9	6-8	4-9
OHMS	1-10-11-12	3-4-6-8-9	3-6	4-8
5-7	6-7	-	-	8-9
OFF (DOWN)	11-12	2-3-8	3-6	4-8-9
DT	10-11	2-3-8	3-6	4-8-9
UADC	11-12	2-3-6-8-9	6-8	4-9
MADC/ADC	-	2-3-4-8-9	6-8	4-8
MVDC	3-5-6-7	3-4-8	6-8	4-8-9
VDC	4-5-7	3-4-8-9	-	4-9

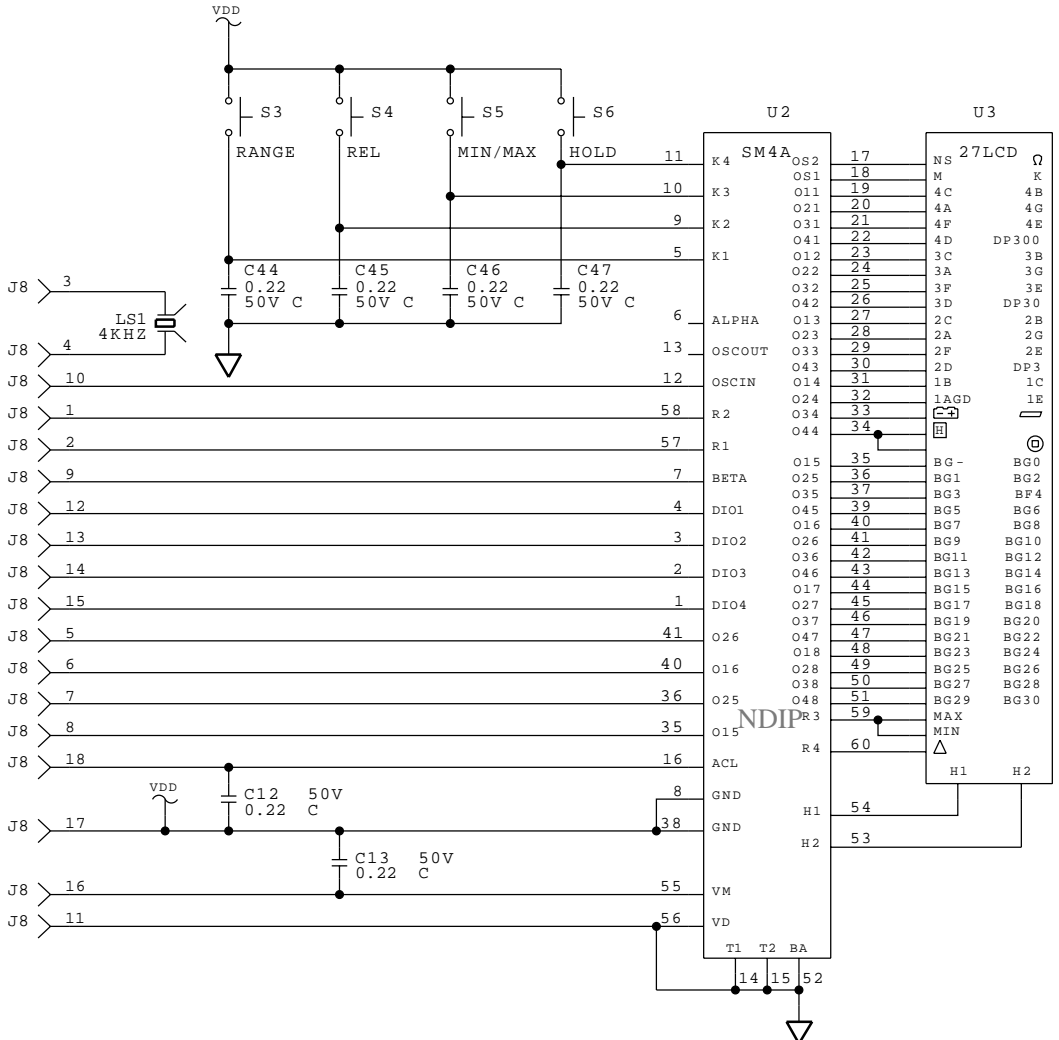




REFERENCE DESIGNATON	
LAST USED	NOT USED
C47	C1-11,14-43
J8	J1-7
LS1	
S6	S1,2
U3	U1



FLUKE 27-4002



FLUKE 27-1002