

**FLUKE®**

## Instruction Sheet

# Model 732B-7001

External Battery/Charger

### SAFETY SUMMARY


#### Safety Terms in the 732B/734A Instruction Manual


Model 732B-7001 has been designed and tested in accordance with IEC Publication 348, Safety Requirements for Electronic Measuring Apparatus. Refer to the 732B/734A Instruction Manual for information, warnings, and cautions that must be followed to ensure safe operation and to maintain the instrument in a safe condition.

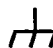
**WARNING** statements identify conditions or practices that could result in personal injury or loss of life.

**CAUTION** statements identify conditions or practices that could result in damage to equipment.

#### Symbols Marked on Equipment

 Power Off Switch Position

 Power On Switch Position

 Ground (Earth) Terminal

#### Power Source

The instruments are intended to operate from a power source that will not apply more than 264V ac rms between the supply conductors or between either supply conductor and ground. A protective ground connection by way of the grounding conductor in the power cord is essential for safe operation.

#### Use the Proper Fuse

To avoid fire hazard, use only a fuse identical in type, voltage rating, and current rating as specified on the rear panel fuse rating label. Never bypass a fuse by shorting across the fuse terminals. Refer to the line voltage selection and fusing information in Section 2 of the 732B/734A Instruction Manual before you begin using the 732B-7001.

### **Grounding the 723B-7001**

These are Safety Class I (grounded enclosure) instruments as defined in IEC 348. To avoid electrical shock when charging the 732B-7001 internal battery, plug the power cord into a properly wired earth grounded receptacle. A protective ground connection by way of the grounding conductor in the power cord is essential for safe operation when using ac line power.

### **Use the Proper Power Cord**

Use only the power cord and connector appropriate for the voltage and plug configuration in your country.

Use only a power cord that is in good condition.

Refer cord and connector changes to qualified service personnel.

### **Do Not Operate in Explosive Atmospheres**

To avoid explosion, do not operate the instrument in an atmosphere of explosive gas.

### **Do Not Attempt to Operate if Protection May Be Impaired**

If the instrument appears damaged or operates abnormally, protection may be impaired. Do not attempt to operate it. When in doubt, have the instrument serviced.

### **Do Not Service Unless Qualified to Do So**

Do not perform internal service or adjustment of this product, including replacing the batteries, unless you are qualified to do so.

### **Be Careful Not to Short the Battery Terminals**

To avoid explosion or fire, be careful not to short the battery terminals.

### **Use Care When Servicing with Power On**

High voltages exist at several points inside the instrument. To avoid personal injury, do not touch exposed connections and components while power is on. Disconnect line and battery power before removing protective panels, soldering, or replacing components.

## INTRODUCTION

The Model 732B-7001 External Battery and Charger is contained in the same enclosure as the 732B. This means it fits into and is powered by the 734A-7001 Instrument Enclosure just like a 732B DC Standard.

When the external battery is completely charged and connected to a completely charged 732B, it increases 732B battery operating time from 72 to 130 hours. Just as in the 732B, the charger in the 732B-7001 takes 24 hours to completely charge the battery (with no load on the battery). Refer to Section 3 of the 732B/734A Instruction Manual for information about interconnecting 732Bs and 732B-7001s.

## INSTRUCTIONS FOR USING THE 734B-7001 INSTRUMENT ENCLOSURE

Instructions for the 734A-7001 Instrument Enclosure are included in the 732B/734A Instruction Manual, which is shipped with every Model 732B or 734A ordered.

### NOTE

*If you need an extra copy of the 732B/734A Instruction Manual, order Fluke part number 869321. To order any Fluke replacement part, including manuals, call toll free (800) 526-4731 (USA), or (206) 356-5127 (Outside USA).*

You can find information relating to the 734A-7001 in the following sections of the 732B/734A Instruction Manual, with differences from the text noted:

Front pages:

- Warranty
- German Postal Notice (Vfg. 1046)

Section 1:

- Specifications. The following 732B specifications also apply to the 732B-7001: environment, compliance to standards, and line power requirements, and charging time.

Section 2:

- Selecting line voltage and accessing the fuse
- Connecting to line power
- Installing the 732B-7001 in a 734A-7001 Instrument Enclosure

Section 3:

- Front and rear panel features of the 732B-7001
- Charging the internal battery
- Powering the 732B standard from a 732b-7001

Section 4:

- 732B-7001 theory of operation
- A5 Battery Charger Assembly theory of operation

### NOTE

*The 732B-7001 uses the same A5 Assembly as the 732B. In the 732B-7001, the IN CAL indicator and ac-to-battery switching circuits are not used.*

- Cleaning the external surfaces
- Accessing the A5 and transformer assembly

## NOTE

*These procedures are simplified because of the absence of the oven assembly.*

- Replacing the battery.

## NOTE

*Proceed the same as for the 732B, except disconnect line power first. You can simplify the procedure because line power is not maintained during battery replacement.*

## Section 7:

- Schematic diagrams for the Front Panel and Battery Charger Assemblies.

## LIST OF REPLACEABLE PARTS

Table 1. 732B-7001 External Battery/Charger

REFERENCE DESIGNATOR	FLUKE STOCK	MFRS SPLY	MANUFACTURERS PART NUMBER	TOT	N O T
-A>-NUMERIC-----> S-----DESCRIPTION-----	--NO--	-CODE-	-OR GENERIC TYPE-----	QTY-	-E-
A 1	* FRONT PANEL PCA	869169	89536 869169	1	1
A 5	* POWER SUPPLY PCA	869185	89536 869185	1	2
BT 401	BATTERY, LEAD-ACID, 2V, 6.5AH	887042	50120 CFM12V6.5	1	
H 174	SCREW, FHU, P, LOCK, SS, 6-32, .250	769893	73734 6-32X1/4FHUCPS2A	16	
H 226	SCREW, PH, P, LOCK, STL, 4-40, .250	129890	74594 129890	2	
H 303	SCREW, PH, P, LOCK, STL, 6-32, .312	152157	74594 152157	4	
H 312	SCREW, PH, P, LOCK, STL, 6-32, .250	152140	74594 152140	11	
H 504	SCREW, CAP, SCKT, SS, 8-32, .375	295105	89536 295105	2	
H 607	WASHER, SHLDR, FIBER, .140, .312, .062	110387	86928 5604-47	3	
H 618	SCREW, FHU, P, SS, 6-32, .312	867234	89536 867234	6	
H 625	WASHER, SHLDR, NYLON, .113, .245	485417	86928 5607-50	2	
MP 106	BEZEL	871819	89536 871819	2	
MP 187	DECAL, BATTERY CHARGER	921932	89536 921932	1	
MP 188	FRONT PANEL	921924	89536 921924	1	
MP 228	O-RING, SYN RUBBER, .208 ID, .070 WIDE	910815	2K160 2-009	2	
MP 314	FLUKE NAMEPLATE	879770	S5900 879770	1	
MP 315	LABEL, ADHES, VINYL, BAR CODE, 1.500, .312	844712	22670 844712	1	
MP 387	REAR PANEL	921929	89536 921929	1	
MP 402	BATTERY BRACKET	878897	89536 878897	1	
MP 405	CHASSIS ASSEMBLY	878942	89536 878942	1	
MP 502	HANDLE ARM/REAR FOOT	871868	89536 871868	2	
MP 506	TOP COVER, PAINTED	871962	89536 871962	1	
MP 508	HANDLE, PAINTED	871959	89536 871959	1	
MP 602	INSUL PART, DIODE, POLYIMIDE, .130, .375	887307	14601 KA-038-013	2	
MP 606	FRONT PANEL MOUNTING BRACKET	921916	89536 921916	1	
MP 624	DECAL, FLUKE/PHILIPS ALLIANCE MARK	883033	89536 883033	1	
MP 636	FOOT, RUBBER, ADHES, BLK, .50 SQ, .23 THK	887047	28213 SJ5018-BLK	4	
T 633	TRANSFORMER ASSY	878967	89536 878967	1	
W 100	CABLE ASSY, 9 COND, 9? D-SUB/9P D-SUB	912576	3V218 1980099	1	
W 230	CORD, LINE, 5-15/IEC. 3-18AWG, SVT, 7.5 FT	284174	70903 17239	1	
W 640	CABLE, BATTERY	869198	89536 869198	1	

An \* in 'S' column indicates a static-sensitive part.

1. SEE TABLE 6-3 OF THE 732B/734A INSTRUCTION MANUAL FOR PARTS BREAKDOWN.
2. SEE TABLE 6-4 OF THE 732B/734A INSTRUCTION MANUAL FOR PARTS BREAKDOWN.

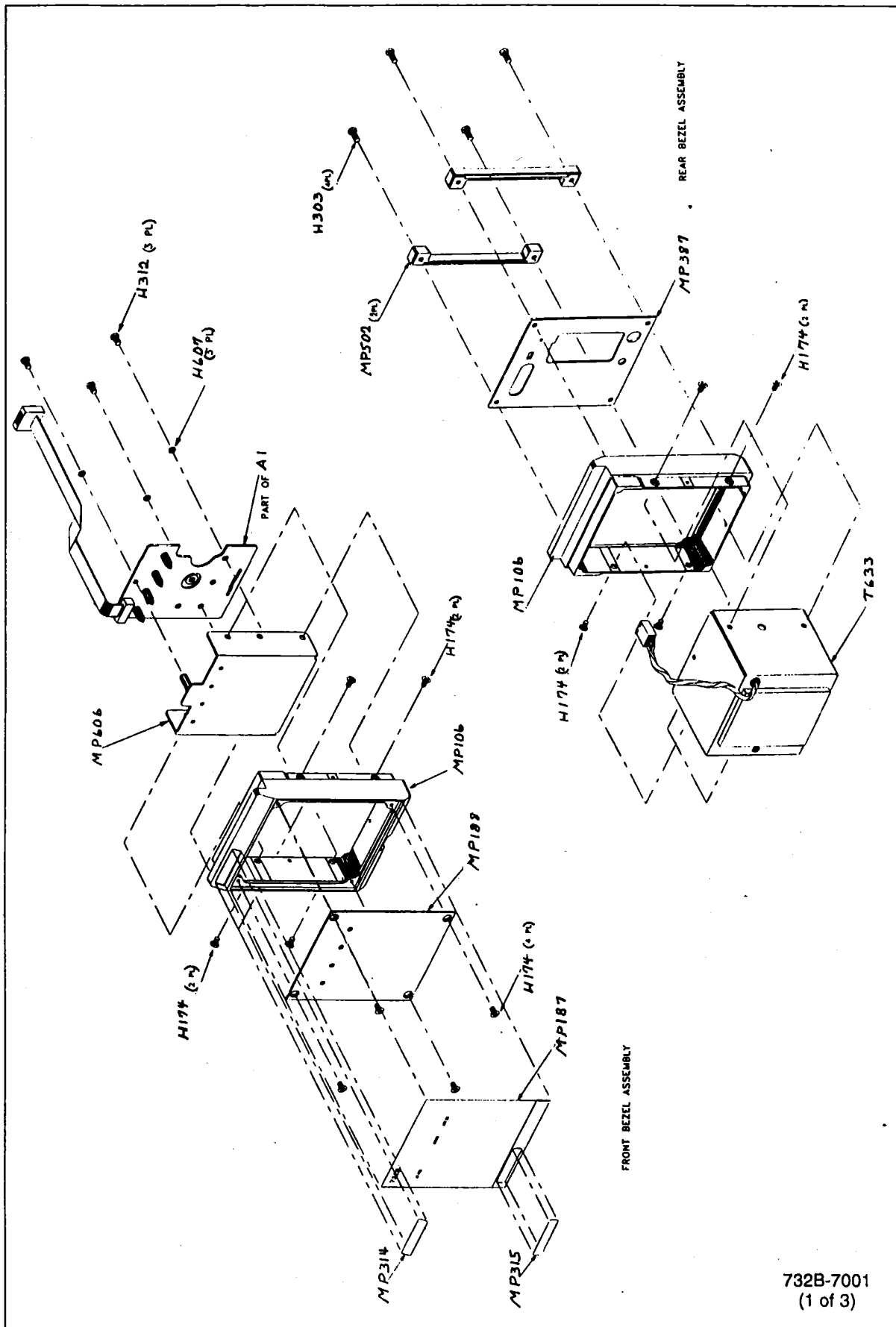
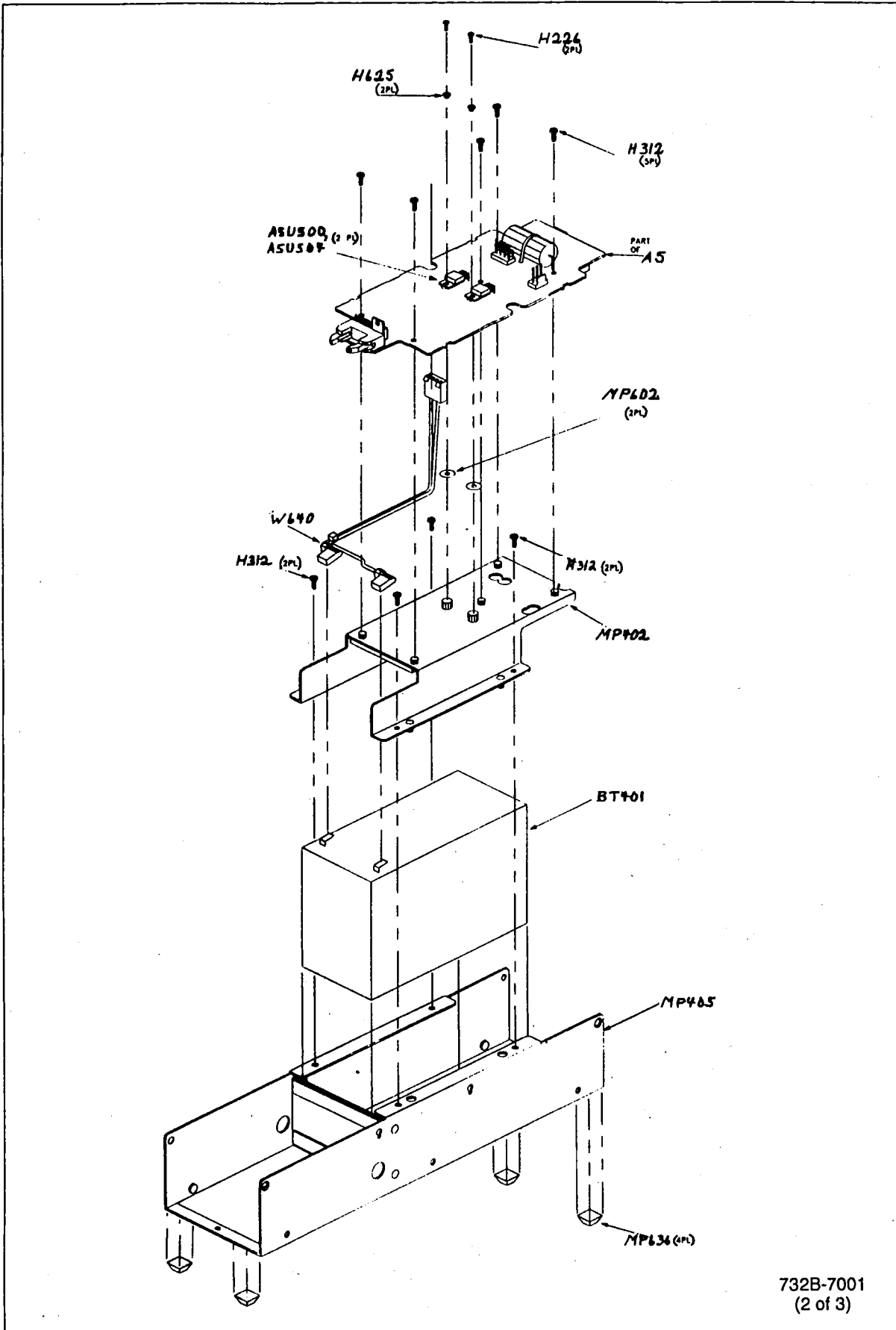


Figure 1. 732B-7001 External Battery/Charger

732B-7001  
(1 of 3)



732B-7001  
(2 of 3)

Figure 1. 732B-7001 External Battery/Charger (cont)