

How to calibrate an RTD or Platinum Resistance Thermometer (PRT)

Application Note

Elso Philips Service, Jilemnického 2; 911 01 Trenčín; tel: +421 32 6582410, 7431690; fax: +421 32 6582592; email: elso@elso.sk; web: www.elso.sk

Introduction

There are two types of calibrations applicable to PRTs—characterization and tolerance testing. The type of calibration to perform is determined by the way in which the UUT is to be used and the accuracy required by the user. Characterization is the type of calibration in which the unit under test (UUT) resistance is determined at several temperature points and the data are fitted to a mathematical expression. Tolerance testing on the other hand is a calibration in which the UUT resistance is compared to defined values at specific temperatures. No data fitting is performed. In the laboratory, we are required to perform both types of calibration depending upon our customer's needs.

Calibration procedures

Characterization

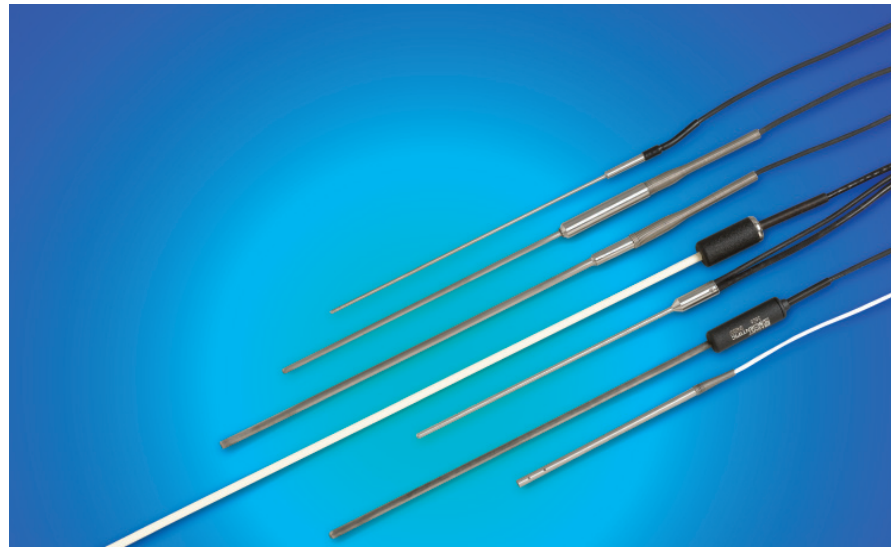
Characterization is the method that is most often used for medium to high accuracy PRT calibration. With this method, a new resistance vs. temperature relationship is determined anew with each calibration. Generally, with this type of calibration, new calibration coefficients and a calibration table are provided as a product of the calibration. There are five basic steps to perform as listed below:

1. Place the reference probe and the UUTs in the temperature source in close proximity to one another.
2. Connect the leads to the readout(s) ensuring proper 2-, 3-, or 4-wire connection.
3. Measure the reference probe and determine the temperature.
4. Measure and record the resistance of the UUT(s).
5. Fit the data.

Some readouts simplify the technique by combining or eliminating some of the steps. In the following discussion, we will consider an application involving PRT characterization by comparison to an SPRT.

Step 1: Probe placement

All temperature sources have instabilities and gradients. These translate into calibration errors and/or uncertainties. To minimize the effects, the probes should be placed as close together as practical. In baths the probes to be calibrated should be placed in a radial pattern with the reference probe in the center (focus) of the circle. This ensures an equal distance from the reference probe to each of the UUTs. In dry-well temperature sources, the reference probe



Topics covered

- **Calibration by characterization**
 - ITS-90
 - Callendar-Van Dusen
 - Polynomial
- **Tolerance testing**
 - ASTM 1137
 - IEC 60751

and probes to be calibrated should all be placed the same distance from the center for best results, but the reference may be placed in the center if needed.

Also, the sensing elements should be on the same horizontal plane. Even though sensing elements are different lengths, having the bottoms of the probes at the same level is sufficient. Sufficient immersion must be achieved so that stem losses do not occur. Generally, sufficient immersion is achieved when the probes are immersed to a depth equal to 20 times the probe diameter plus the length of the sensing element. For example, consider a 3/16 inch diameter probe with a 1 inch long sensing element. Using the rule of thumb, $20 \times 3/16 \text{ in} + 1 \text{ in} = 3 \frac{3}{4} \text{ in} + 1 \text{ in} = 4 \frac{3}{4} \text{ in}$. In this example, minimum immersion is achieved at 4 3/4 inches. This rule of thumb is generally correct with thin wall probe construction and in situations of good heat transfer. If the probe has thick wall construction and/or poor heat transfer is present (such as in the case of a dry-well with incorrectly sized holes), more immersion is required.

Step 2: Connection to readout

This step is straightforward. Connections must be tight and in proper 2-, 3-, or 4-wire configuration. If using 4-wire configuration, ensure that the current and voltage connections are correct. See Figure 1.

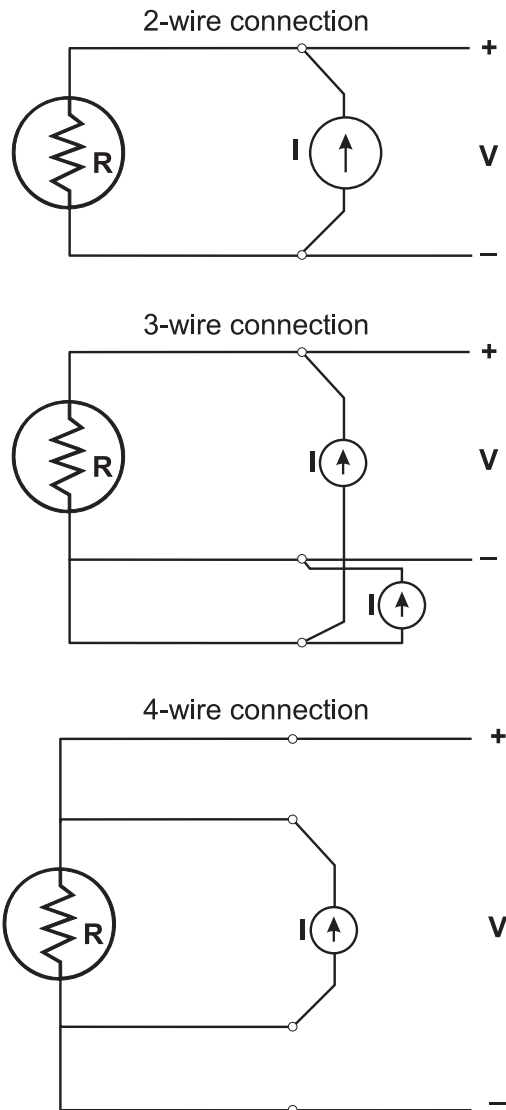


Figure 1. Thermometer readout connection schematics

readout previously. Once these calibration coefficients have been entered, the temperature calculations are accomplished internally and the readout displays in temperature units. The temperature data is available in real time. Some modern readouts also display the data in graphical format, allowing the operator to determine stability at a glance. Both of these features speed up the process and eliminate possible operator error due to incorrect table interpolation.

The second method is used when the readout does not provide for proper temperature calculation. (Some readouts, particularly DMMs, have some of the more popular temperature conversions built in. These typically do not allow use of unique calibration coefficients and cannot be used for accurate temperature calibration.) In this case, the resistance is measured and the temperature is determined from either a calibration table or from a computer or calculator program.

Since the temperature must be calculated after the resistance is measured, the process is slower and does not provide immediate, real time temperature data. See Tables 1 and 2 below.

Table 1. Interpolation from an RTD calibration table (resistance vs. temperature).

402	250.5848	0.3512
403	250.9360	0.3511
450	267.3108	0.3456
451	267.6564	0.3455
452	268.0019	0.3454
453	268.3472	0.3452
<hr/>		
1. Measure the reference probe resistance	249.9071 Ω	
<hr/>		
2. Locate where it falls on the table	between 249.8820 Ω and 250.2335 Ω	
<hr/>		
3. Subtract lower table value from measured value	249.9071 Ω – 249.8820 Ω = 0.0251 Ω	
<hr/>		
4. Divide by dR/dT(t) (slope of curve)	0.0251 / 0.3514 = 0.0714 °C	
<hr/>		
5. Add fractional temperature to table value	0.0714 °C + 400 =	400.0714 °C

Step 3: Measurement of reference probe and temperature determination

There are two ways to measure the reference probe and determine the temperature. Both techniques have the same potential accuracy. That is, if done correctly, neither technique is inherently more accurate than the other.

The first and best method is used with sophisticated readouts designed for temperature work. The resistance is measured and the temperature calculated from calibration coefficients which were entered into the

Tech Tip

Manual calculation is more prone to human error and is more time consuming than using a readout designed for temperature work.

Table 2. Interpolation from an RTD calibration (resistance ratio (W) table).

t(°C)	W(t)	dt/dW(t)
300	2.1429223	275.2199
301	2.1465557	275.3075
302	2.1501880	275.3951
303	2.1538192	275.4827
350	2.3231801	279.6655
351	2.3267558	279.7559
352	2.3303304	279.8464
353	2.3339037	279.9369

1. Measure reference probe resistance	54.75258 Ω
2. Calculate W (R _f /R _{tpw}) (R _{tpw} = 25.54964)	54.75258 Ω / 25.54964 Ω = 2.1429883
3. Locate where it falls on the table	between 2.1429223 and 2.1465557
4. Subtract lower table value from measured value	2.1429883 - 2.1429223 = 0.000066
5. Multiply by dt/dW(t) (inverse slope of curve)	0.000066 • 275.2199 = 0.0182 °C
6. 6) Add fractional temperature to table value	0.01821 °C + 300 °C = 300.0182 °C

Step 4: Measurement of units under test (UUTs)

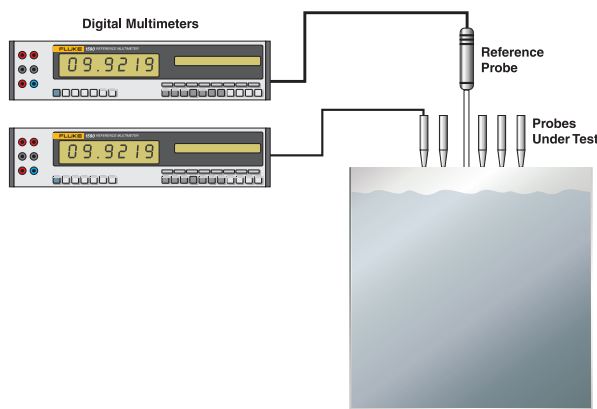
Since the UUTs are resistance thermometers similar to the reference probe, they are measured in a similar manner. If several UUTs are undergoing calibration, ensure that when they are connected or switched in, sufficient time is allowed for self-heating to occur before the data is recorded. Also, ensure that the readout is set to the correct range to provide the proper source current and to prevent range changes between the measurements at different temperatures. Typically, the measurements are conducted starting at the highest temperature of calibration and working down. Additionally, it increases the precision of the calibration to use a mean (average) value calculated from multiple measurements at the same temperature. Often, the readout is designed with statistical features to facilitate this practice. It is also a good practice to close the process with an additional measurement of the reference probe. The sequence in which the probes (reference and UUT) are measured is referred to as a measurement scheme. There are many variables to consider when designing a measurement scheme. Some points to consider are:

- Accuracy—the higher the accuracy desired, the more all of the following must be considered.
- Temperature source stability—the more stable the source, the more time exists to conduct the measurements before temperature changes cause unwanted error.
- Number of UUTs—the higher the number, the longer it takes to cycle through all UUTs.

- Number of readouts—will the reference probe and UUTs be measured with the same readout or different readouts?
- Type of readout—a readout designed for temperature calibration often has features which allow flexibility in the measurement scheme.
- UUT characteristics—self-heating time, source current requirements, stability, and overall quality influence the measurement process.

It is not possible for us to anticipate all of the variables and discuss the optimum solutions here. However, in the following examples, we will consider some typical calibration scenarios and suggested measurement schemes.

Example 1: 2 DMM readouts, 1 reference probe and 5 UUTs



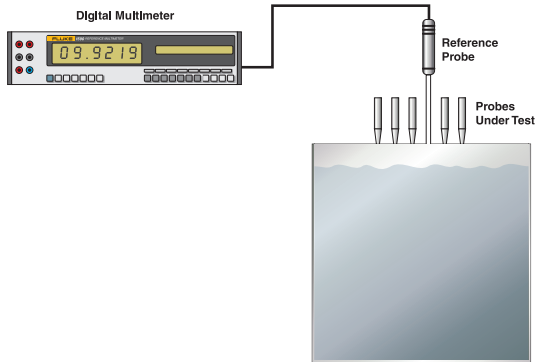
The reference probe is connected to one readout and the first UUT is connected to the second readout. This places the probes to be measured under current at all times, thus, eliminating self-heating errors caused by changing current conditions. The UUTs will be connected and measured individually.

The scheme is as follows:

REF(1)-UUT (1) - REF(2)-UUT (2) - REF(3)-UUT (3) - REF(4)-UUT (4) - REF(5)-UUT (5)

This provides 5 readings each of the reference and the UUT. Take the average of the readings and use it for the data fit. If the reference probe readings are in resistance, the temperature will have to be computed. After completion, repeat the process for the additional UUTs.

Example 2: 1 DMM readout, 1 reference probe and 5 UUTs



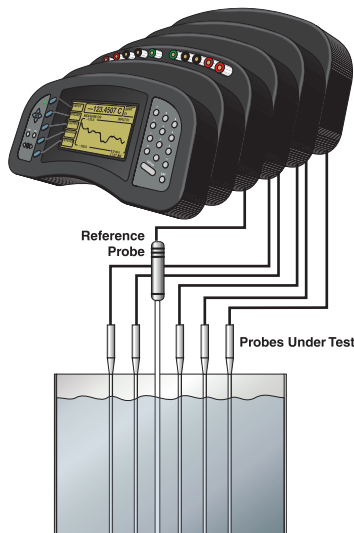
This example is similar to the first except that the reference probe and UUT must be measured by the same readout. The same scheme can be followed but more time must be allowed between readings to allow for self-heating. Since more time is involved, it might be beneficial to reduce the number of readings from five to three unless the heat source is extremely stable. Each probe will be connected and measured individually

The scheme is as follows:

wait-REF(1)-wait-UUT (1) - wait-REF(2)-wait-UUT(2) - wait-REF(1)-wait-UUT(3)-done

This provides 3 readings each of the reference and the UUT. Take the average of the readings and use it for the data fit. Again, the reference probe readings are in resistance so the temperature will have to be computed. After completion, repeat the process for the additional UUTs.

Example 3: 1 multi-channel thermometer readout, 1 reference probe and 5 UUTs



In this example, all of the probes are connected directly to the thermometer readout, a Fluke Calibration 1560 *Black Stack*. The readout controls the measurement and scans through all probes performing statistics in real time. Current may or may not be

supplied at all times depending on the type of thermometer readout. If current is supplied at all times, there will be no self-heating errors. If current is not supplied at all times, ensure that the switching is done rapidly enough to reduce self-heating errors to a negligible level.

The scheme is as follows

REF - UUT 1 - UUT 2 - UUT 3 - UUT 4 - UUT 5 - repeat 10 or more times

This provides many readings each of the reference and all of the UUTs. The average can be calculated and displayed directly by the readout. Also, the reference probe readings are in temperature so no further computation is required - the data is ready to fit.

Step 5: Thermometer calibration curve fitting

Data fitting is simple in concept but can be complicated in practice. Essentially it is a process of solving a set of simultaneous equations which contain the calibration data to arrive at a set of coefficients unique to the PRT and calibration. There are several commercial software programs available specifically written to accomplish this task. Some are limited in function and do no more than solve the basic temperature functions. Others are more flexible and allow options regarding the number and location of calibration points and provide analysis regarding the precision of the resultant fit. The latter type of program is preferred. For metrologists who wish to tackle the algorithms themselves, a good mathematics application software like Mathcad or Mathematica or even a spreadsheet like Excel is extremely helpful. Fluke Calibration offers two programs: *TableWare* for calculating calibration coefficients and *MET/TEMP II* for automating calibration tasks and calculating calibration coefficients. Of course, programs can be written in any of the modern computer languages (with double precision or better floating point capability) to perform the calculations with equal accuracy.

There are several equations which are used for PRT characterization. Among the most common are the International Temperature Scale of 1990 (ITS-90) series, the Callendar-Van Dusen, and third through fifth order polynomials. Obviously, with more than one model available to describe the behavior of a physical system, we must choose which one is best for our situation. The following discussion covers the features and purpose of each of these models and describes the form of the equations. The steps necessary to actually fit the data will be discussed in the section on mathematics later in this manual.

ITS-90: The ITS-90 series of functions were developed through a concerted effort from the international metrology community's leading temperature experts. These functions are intended to describe how the behavior of the SPRT relates, with a very high degree of precision, to the fixed points on which the scale is based. It does this extremely well SPRTs and with high quality PRTs. The ITS-90 uses a reference function—deviation function structure that has many advantages over traditional polynomials and is the preferred model for high accuracy applications. In the equations below, capital T refers to ITS-90 temperatures expressed in Kelvin units.

Equation 1. ITS-90 resistance ratio

$$W(T_{90}) = \frac{R(T_{90})}{R_{TPW}}$$

Where: $W(T_{90})$ = resistance ratio at temperature T
 $R(T_{90})$ = measured resistance at temperature T
 RTPW = measured resistance at the triple point of water

Equation 2. Deviation from ITS-90 reference function.

$$\Delta W(T_{90}) = W(T_{90}) - W_r(T_{90})$$

Where: $\Delta W(T_{90})$ = deviation of calculated W from reference function at temperature T
 $W(T_{90})$ = calculated resistance ratio at temperature T (from equation (1))
 $W_r(T_{90})$ = reference function value at temperature T

Equation 3. Reference function for the range 13.8033 K to 273.16 K (-259.3467 °C to 0.01 °C):

$$\ln(W_r(T_{90})) = A_0 + \sum_{i=1}^{12} A_i \left(\frac{\ln\left(\frac{T_{90}}{273.16}\right) + 1.5}{1.5} \right)^i$$

Where: $W_r(T_{90})$ = reference function value at temperature T
 A_i = reference function coefficients from definition

Equation 4. Deviation function for the subrange 83.8058 K to 273.16 K (-189.3442 °C to 0.01 °C):

$$\Delta W_4(T_{90}) = a_4 \cdot (W(T_{90}) - 1) + b_4 \cdot (W(T_{90}) - 1) \cdot \ln(W(T_{90}))$$

Where: $\Delta W(T_{90})$ = calculated deviation value at temperature T (from equation (2))
 $W(T_{90})$ = calculated resistance ratio at temperature T (from equation (1))
 a_4, b_4 = resulting calibration coefficients

Equation 5. Reference function for the range 273.15 K to 1234.93 K (0.00 °C to 961.78 °C):

$$W_r(T_{90}) = C_0 + \sum_{i=1}^9 C_i \left(\frac{\frac{T_{90}}{K} - 754.15}{481} \right)^i$$

Where: $W_r(T_{90})$ = reference function value at temperature T
 C_i = reference function coefficients from definition

Equation 6. Deviation function for the subrange 273.15 K to 692.677 K (0.00 °C to 419.527 °C):

$$\Delta W_8(T_{90}) = a_8 \cdot (W(T_{90}) - 1) + b_8 \cdot (W(T_{90}) - 1)^2$$

Where: $\Delta W(T_{90})$ = calculated deviation value at temperature T (from equation (2))
 $W(T_{90})$ = calculated resistance ratio at temperature T (from equation (1))
 a_8, b_8 = resulting calibration coefficients

The designations 4 and 8 in the deviation functions, equations (4) and (6) were inserted by NIST for identification of specific subranges. The values for the coefficients A_i and C_i in the reference functions, equations (3) and (5) are given in Table 3.

Table 3. ITS-90 Reference Function Coefficients

Coefficient	Value
A_0	-2.135 347 29
A_1	3.183 247 20
A_2	-1.801 435 97
A_3	0.717 272 04
A_4	0.503 440 27
A_5	-0.618 993 95
A_6	-0.053 323 22
A_7	0.280 213 62
A_8	0.107 152 24
A_9	-0.293 028 65
A_{10}	0.044 598 72
A_{11}	0.118 686 32
A_{12}	-0.052 481 34
C_0	2.781 572 54
C_1	1.646 509 16
C_2	-0.137 143 90
C_3	-0.006 497 67
C_4	-0.002 344 44
C_5	0.005 118 68
C_6	0.001 879 82
C_7	-0.002 044 72
C_8	-0.000 461 22
C_9	0.000 457 24

Callendar-Van Dusen: The Callendar-Van Dusen (CVD) equation has a long history. It was the main equation for SPRT and PRT interpolation for many years. It formed the basis for the temperature scales of 1927, 1948, and 1968. This equation is far simpler than the ITS-90 equations but has serious limitations in the precision of fit. As a result, it is not suitable for high accuracy applications but is perfectly suited to modest accuracy applications. Partly due to its history and simplicity, but mostly due to its continued suitability, it continues to be the preferred model for industrial platinum resistance thermometers today. In the equations below, lower case t refers to ITS-90 temperature in Celsius units.

Equation 7. Callendar-Van Dusen resistance ratio

$$W(t) = \frac{R(t)}{R_0}$$

Where: W(t) = resistance ratio at temperature t
 R(t) = measured resistance at temperature t
 R₀ = measured resistance 0 °C

And...

Equation 8. Callendar-Van Dusen equation

$$W(t) = 1 + At + Bt^2 + Ct^3 \cdot (t - 100)$$

Where: W(t) = resistance ratio at temperature t (reference 0 °C)
 A,B,C = calibration coefficients (C is = 0 for temperatures above 0 °C)

NOTE: All temperatures are expressed in °C and the resistance ratio (W) is referenced to 0 °C rather than the triple point of water (0.010 °C) as with the ITS-90.

Polynomials: Polynomials are frequently used to model physical phenomena from all fields of science. They have limited use with PRTs because of the high order required to achieve a suitable fit. (Recall that the reference functions for the ITS-90 are 9th and 12th order polynomials for the ranges above 0 °C and below 0 °C.) Additionally, the previous models use resistance ratio as the variable to fit. Most polynomials in use fit the resistance directly. Since resistance is not as stable as the resistance ratio, these models have serious limitations. That having been said, polynomials can be very useful over limited ranges and in applications where accuracy requirements are very modest.

Equation 9. Typical RTD polynomial equation

$$t = a + bR + cR^2 + dR^3 + eR^4$$

Where: t = temperature
 R = resistance
 a,b,c,d,e = calibration coefficients

Tolerance testing method

PRT calibrations involving tolerance testing are reserved for low accuracy applications. With this type of calibration the UUT resistance is compared to defined values at specific temperatures. The values are defined by one of the common models such as the ASTM 1137 or IEC 60751 curve. PRTs calibrated in this way are generally used in industrial style applications where the readout is unable to accept unique coefficients but is pre-programmed with a common PRT curve. The probe must be tested to ascertain its compliance to the curve of interest. There are accuracy classes defined that probes are intended to fit.

The two common accuracy classes are class A and class B:

	IEC 60751	ASTM 1137
Class A	± [0.15 + (0.002 · t)] °C	± [0.13 + (0.0017 · t)] °C
Class B	± [0.30 + (0.005 · t)] °C	± [0.25 + (0.0042 · t)] °C

These include errors arising from deviations in R₀ and from errors in slope. Frequently, we will see probes rated at a fraction of Class A. For example, 0.1 ASTM Class A. Fractional accuracy is achievable in sensors alone, but are very difficult to achieve in probes. The calculations are straightforward. See below:

Example 4: Calculate the accuracy of a 0.1 ASTM Class A probe at 100 °C

1. = (0.13 + (0.0017 · t)) · 0.1
2. = (0.13 + (0.0017 · 100)) · 0.1
3. = (0.13 + 0.17) · 0.1 = 0.03

PRTs that conform to a standard specification such as ASTM 1137 or IEC 60751 are expected to be within tolerances of defined resistance values for any given temperature. The resistance values are defined by a form of the Callendar-Van Dusen (CVD) equation and specified values for coefficients A,B and C (see table 4). These values may be determined using a published table or calculated by solving the equations.

Measurements for tolerance testing are carried out in the same manner as measurements for characterization. ITS-90 temperature is determined by the reference thermometer. The resistance of the UUT is then compared to the defined resistance values, and pass or fail status is determined based on the specified tolerances (i.e. Class A or Class B).

Table 4. Equations for ASTM 1137 and IEC 60751

Range	Callendar-Van Dusen Equation
$-200\text{ °C} \leq t < 0\text{ °C}$	$R_t = R_0[1 + At + Bt^2 + C(t - 100)t^3]$
$0\text{ °C} \leq t \leq 650\text{ °C}$	$R_t = R_0[1 + At + Bt^2]$
ASTM 1137 and IEC 60751 coefficient values	
A = 3.9083×10^{-3}	
B = -5.775×10^{-7}	
C = -4.183×10^{-12}	

Example 5: Calculate the tolerance of a 0.1 ASTM Class A probe at 100 °C

Measure the reference probe temperature	100.00 °C
Measure the indicated UUT temperature using ASTM 1137 equation and coefficients	100.05 °C (Given)
Calculate the error	0.05 °C
Calculate the tolerance at 100.00 °C	0.03 °C (See example 4)
Determine tolerance status	Fail (0.05 °C > 0.03 °C)

Conclusion

Platinum Resistance Thermometer calibration procedures are similar whether the method selected is characterization or tolerance testing. For best accuracy with modern equipment choose characterization. For equipment that does not allow characterization, tolerance testing may be your only choice and this is a common situation in industry today. When conducting tolerance testing it is important to use equipment and procedures with sufficient accuracy to determine the tolerance status confidently.

To be certain of the tolerance status of a calibrated instrument it is necessary to have calibration uncertainties that are significantly better than the tolerance of the instrument being calibrated. Typically a ratio of 4:1 or four times better than the tolerance of the instrument being calibrated is required. When this is not the case the risk may be unacceptably high that out of tolerance instruments will be falsely accepted or that in tolerance instruments will be falsely rejected. As the magnitude of the detected error approaches the tolerance of the calibrated instrument, the risk of incorrectly assigning a tolerance status increases. Guard bands may be helpful in these circumstances. For example if a guard band is 80% of the tolerance then instruments found within 80% of their tolerance will pass, instruments outside of the tolerance will fail and instruments that are in between will be indeterminate. The better the calibration uncertainties the tighter the guard band can be.

Fluke Calibration.*Precision, performance, confidence.™*

Electrical
RF
▶ Temperature
Pressure
Flow
Software

Fluke Calibration

PO Box 9090, Everett, WA 98206 U.S.A.

Fluke Europe B.V.PO Box 1186, 5602 BD
Eindhoven, The Netherlands

For more information call:

ELSO Philips Service, spol. s.r.o.

Jilemnickho 2, 911 01 Trenčín

Slovakia

tel.: +421 32 658 2410

fax: +421 32 658 2592

<http://www.else.sk/90-etalonove-sondy>

©2009, 2012 Fluke Calibration.

Specifications subject to change without notice.

Printed in U.S.A. 12/2012 3498460B_EN

**Modification of this document is not permitted
without written permission from Fluke Calibration.**

Kalibrieren eines RTD oder Platin Widerstands- thermometers (PRT)

Applikationsbericht

Einleitung

Für PRTs (Platin-Widerstandsthermometer) werden zwei Arten von Kalibrierungen angewandt – Charakterisierung und Toleranzprüfung. Die Art der Kalibrierung wird durch den Einsatz des zu prüfenden Geräts und der vom Anwender erwarteten Genauigkeit bestimmt. Die Charakterisierung ist eine Kalibrierungsart, bei der der Widerstand des zu prüfenden Geräts (UUT – Unit under Test) an mehreren Temperaturpunkten festgestellt wird und die Daten an eine mathematische Funktion angepasst werden. Die Toleranzprüfung ist hingegen eine Kalibrierung, bei der der UUT-Widerstand bei bestimmten Temperaturen mit vordefinierten Werten verglichen wird. Hier findet keine Datenanpassung statt. Im Labor müssen je nach den Anforderungen unseres Kunden beide Arten der Kalibrierung durchgeführt werden.

Kalibrierungsverfahren

Charakterisierung

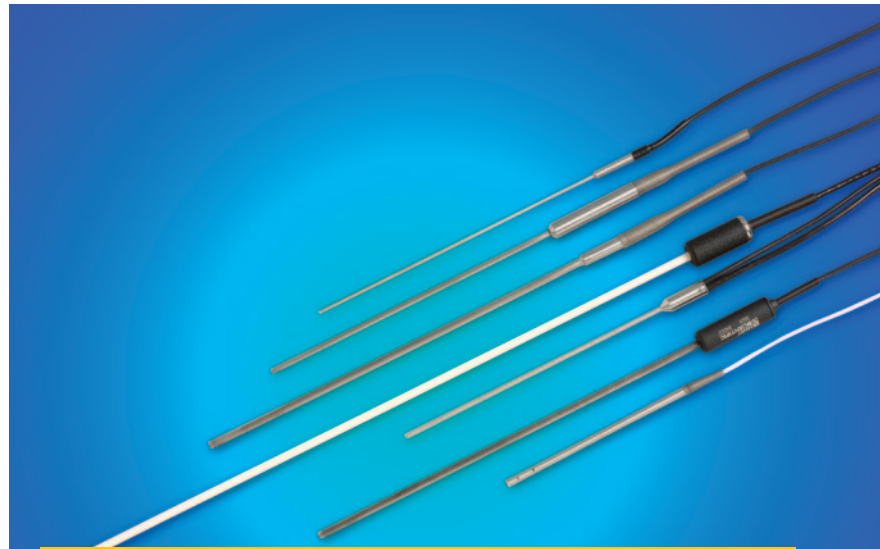
Die Charakterisierung ist die Methode, die am häufigsten bei PRT-Kalibrierungen von mittlerer bis hoher Genauigkeit verwendet wird. Bei dieser Methode wird bei jeder Kalibrierung ein neues Widerstands-Temperatur-Verhältnis bestimmt. Im Allgemeinen werden bei dieser Art der Kalibrierung am Ende neue Koeffizienten und eine Kalibrierungstabelle bereitgestellt. Sie besteht aus fünf grundlegenden Schritten, die nachfolgend aufgelistet werden:

1. Die Referenzsonde und die zu prüfenden Geräte in geringem Abstand zueinander in der Temperaturquelle platzieren.
2. Die Leiter mit der/den Anzeige(n) verbinden, wobei eine einwandfreie 2-, 3- oder 4-Leiterverbindung sichergestellt sein muss.
3. Die Referenzsonde messen und die Temperatur bestimmen.
4. Den Widerstand des/der zu prüfenden Geräte(s) messen und protokollieren.
5. Die Daten anpassen.

Einige Anzeigen vereinfachen diese Methode, indem sie einige dieser Schritte kombinieren bzw. eliminieren. In der folgenden Diskussion werden wir uns eine Anwendung ansehen, die die PRT-Charakterisierung beinhaltet und mit einem SPRT vergleicht.

Schritt 1: Sondenordnung

Alle Temperaturquellen leiden unter Unstabilitäten und Abweichungen, welche wiederum zu Kalibrierfehlern und/oder -unsicherheiten führen. Zur Minderung dieser Einflüsse sollten die Sonden in möglichst geringem Abstand zu einander platziert werden. In Bädern sollten die zu kalibrierenden



Behandelte Themen

- **Kalibrierung durch Charakterisierung**
ITS-90
Callendar-Van Dusen-Gleichung
Polynome
- **Toleranzprüfung**
ASTM 1137
IEC 60751

Sonden kreisförmig rund um die Referenzsonde (Fokus) angebracht werden. Dadurch befinden sich alle zu prüfenden Geräte im gleichen Abstand zur Referenzsonde. In Blockkalibratoren sollten die Referenzsonde und die zu kalibrierenden Sonden am besten alle im gleichen Abstand von der Mitte platziert werden; die Referenzsonde kann jedoch bei Bedarf in der Mitte angebracht werden.

Des Weiteren sollten sich die Messwertaufnehmer auf der gleichen horizontalen Ebene befinden. Die Messwertaufnehmer weisen unterschiedliche Längen auf. Daher reicht es aus, wenn sich die Unterseite der Sonden auf der gleichen Ebene befindet. Sie müssen ausreichend eingetaucht sein, sodass keine Schaftverluste auftreten. Im Allgemeinen sollten die Sonden in einer Mindestdiefe von 20 mal Sondendurchmesser plus Länge des Messwertaufnehmers im Bad angebracht werden. Nehmen wir zum Beispiel eine Sonde mit einem Durchmesser von 3/16 Zoll und einer Länge von 1 Zoll. Laut unserer Faustregel ergibt dies $20 \times 3/16 \text{ Zoll} + 1 \text{ Zoll} = 3 \frac{3}{4} \text{ Zoll} + 1 \text{ Zoll} = 4 \frac{3}{4} \text{ Zoll}$. In diesem Beispiel beträgt die Mindestdiefe $4 \frac{3}{4} \text{ Zoll}$.

bzw. 24,8 cm. Diese Faustregel eignet sich generell für dünnwandige Sonden und in Situationen mit guter Hitzeübertragung. Bei dickwandiger Konstruktion und/oder schlechter Wärmeübertragung (wie z. B. bei einem Blockkalibrator mit unpassenden Lochgrößen) müssen die Sonden tiefer in das Bad eingetaucht werden.

Schritt 2: Verbindung mit der Anzeige

Dieser Schritt ist unkompliziert. Die Anschlüsse müssen fest angezogen werden und als korrekte 2-, 3- oder 4-Leiterverbindung konfiguriert sein. Achten Sie bei einer 4-Leiterkonfiguration darauf, dass die Strom- und Spannungsanschlüsse richtig sind. Siehe Abbildung 1.

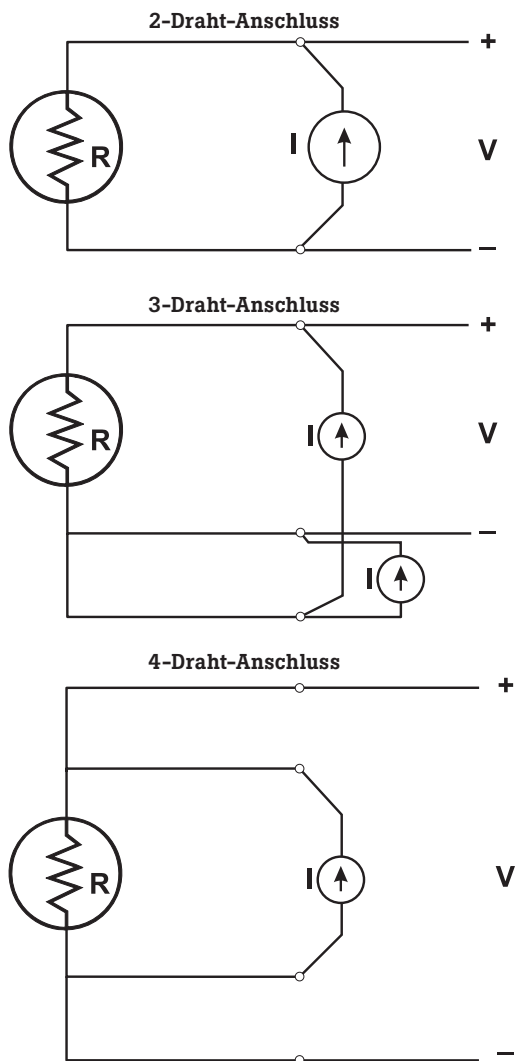


Figura 1. Esquema de conexiones del lector del termómetro.

Schritt 3: Messungen der Referenzsonde und Temperaturbestimmung

Es gibt zwei Möglichkeiten, die Referenzsonde zu messen und die Temperatur zu bestimmen. Bei beiden Verfahren weisen dasselbe Genauigkeitspotenzial auf. D. h., dass kein Verfahren genauer als das andere ist, wenn es exakt durchgeführt wird.

Die erste und beste Methode besitzt komplexe Anzeigen für Temperatureaufgaben. Der Widerstand wird gemessen und die Temperatur dann anhand von Kalibrierkoeffizienten berechnet, die zuvor in die Anzeige eingegeben wurden. Nach der Eingabe dieser Kalibrierkoeffizienten finden die Temperaturberechnungen intern statt und die Anzeige zeigt Temperatureinheiten an. Die Temperaturdaten sind in Echtzeit verfügbar. Einige moderne Anzeigen zeigen die Daten auch in einem grafischen Format an, wodurch der Bediener die Stabilität mit einem Blick feststellen kann. Durch diese beiden Funktionen wird das Verfahren beschleunigt und ein möglicher Bedienerfehler aufgrund von falscher Tabelleninterpolation beseitigt.

Die zweite Methode wird verwendet, wenn die Anzeige keine Temperaturberechnung vorsieht. (Bei einigen Anzeigen, insbesondere DMMs, sind häufig vorkommende Temperaturumrechnungen integriert. Besondere Kalibrierkoeffizienten können gewöhnlich nicht verwendet werden, wodurch die Anzeigen nicht zur genauen Temperaturkalibrierung dienen.) In diesem Fall wird der Widerstand gemessen und die Temperatur aus einer Kalibriertabelle oder mithilfe eines Rechners oder Rechenprogramms bestimmt.

Da die Temperatur nach dem Messen des Widerstands berechnet werden muss, ist dieses Verfahren langsamer und liefert keine sofortigen Echtzeit-Temperaturdaten. Siehe Tabelle 1 und 2.

Tabelle 1. Interpolation einer RTD-Kalibrierungstabelle (Widerstand im Vergleich zur Temperatur).

t (°C)	R(t) (Ω)	dR/dt(t) Ω/°C
400	249.8820	0.3514
401	250.2335	0.3513
402	250.5848	0.3512
403	250.9360	0.3511
450	267.3108	0.3456
451	267.6564	0.3455
452	268.0019	0.3454
453	268.3472	0.3452

1. Widerstand der Referenzsonde wird gemessen	249.9071 Ω
2. Tabelle wird abgelesen; der Wert liegt	zwischen 249.8820 Ω und 250.2335 Ω
3. Der niedrigere Wert wird vom gemessenen Wert abgezogen	249.9071 Ω - 249.8820 Ω = 0.0251 Ω
4. dR/dT(t) (Kurvenverlauf) wird berechnet	0.0251 / 0.3514 = 0.0714 °C
5. Die berechnete Temperatur wird mit dem Tabellenwert addiert	0.0714 °C + 400 = 400.0714 °C

Tech-Tipp

Bei der manuellen Berechnung können menschliche Fehler unterlaufen. Außerdem ist sie sehr viel zeitaufwendiger als eine für die Temperaturarbeit konzipierte Anzeige.

Tabelle 2. Interpolation einer RTD-Kalibrierungstabelle (Tabelle Widerstandsverhältnis(W)).

t (°C)	W(t)	dt/dW(t)
300	2.1429223	275.2199
301	2.1465557	275.3075
302	2.1501880	275.3951
303	2.1538192	275.4827
350	2.3231801	279.6655
351	2.3267558	279.7559
352	2.3303304	279.8464
353	2.3339037	279.9369

1. Widerstand der Referenzsonde wird gemessen	54.75258 Ω
2. W (R/R _{tpw}) (R _{tpw} = 25.54964) wird berechnet	54.75258 Ω / 25.54964 Ω = 2.1429883
3. Tabelle wird abgelesen; der Wert liegt	entre 2.1429223 y 2.1465557
4. Der niedrigere Wert wird vom gemessenen Wert abgezogen	2.1429883 – 2.1429223 = 0.000066
5. dt/dW(t) (umgekehrter Kurvenverlauf) wird berechnet	0.000066 • 275.2199 = 0.0182 °C
6. Die berechnete Temperatur wird mit dem Tabellenwert addiert	0.0182 °C + 300 °C = 300.0182 °C

Schritt 4: Messen der zu prüfenden Geräte (UUTs, Units under Test)

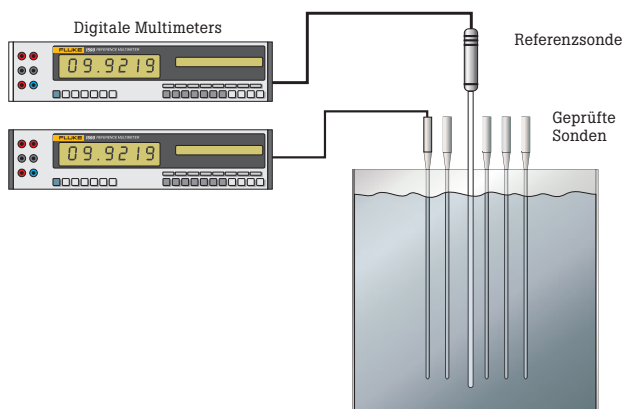
Da es sich bei den zu prüfenden Geräten (UUTs) um Widerstandsthermometer handelt, die der Referenzsonde ähnlich sind, werden sie auf ähnliche Weise gemessen. Falls mehrere miteinander verbundenen bzw. zugeschalteten UUTs kalibriert werden, muss vor dem Erfassen der Daten darauf geachtet werden, dass ausreichend Zeit für die Eigenerwärmung vorhanden ist. Außerdem muss sichergestellt werden, dass die Anzeige auf den passenden Bereich eingestellt ist. Dadurch wird der richtige Quellenstrom geliefert und es werden Bereichsänderungen vermieden, die bei den Messungen bei verschiedenen Temperaturen auftreten könnten. Die Messungen werden gewöhnlich zuerst bei der höchsten Kalibriertemperatur und dann bei stufenweise niedrigeren Temperaturen durchgeführt. Außerdem erhöht ein Durchschnittswert der verschiedenen Messungen bei gleicher Temperatur die Genauigkeit der Kalibrierung. Die Anzeige besitzt häufig die dafür erforderliche Statistikfunktion. Es wird empfohlen, das Verfahren mit einer weiteren Messung der Referenzsonde abzuschließen. Die Reihenfolge der Messungen der Sonden (Referenzsonde und der zu prüfenden Geräte) wird als eine Messstrategie bezeichnet. Beim Festlegen einer Messstrategie müssen viele Variablen beachtet werden, darunter:

- Genauigkeit – Je höher die gewünschte Genauigkeit, desto mehr der folgenden Punkte müssen in Betracht gezogen werden.

- Stabilität der Temperaturquelle – Bei einer stabilen Quelle kann man sich für die Messungen etwas mehr Zeit lassen, bevor Temperaturänderungen zu einem unerwünschten Fehler führen.
- Anzahl der UUTs – Je höher die Anzahl der zu prüfenden Geräte, desto länger dauert der Messvorgang.
- Anzahl der Anzeigen – Werden die Referenzsonde und die UUTs alle mit der gleichen Anzeige oder mit unterschiedlichen Anzeigen gemessen?
- Art der Anzeige – Eine für die Temperaturkalibrierung bestimmte Anzeige besitzt häufig Funktionen, die bei der Messstrategie einige Flexibilität ermöglichen.
- UUT-Merkmale – Das Messverfahren wird von Eigenerwärmungszeit, Anforderungen an den Quellstrom, Stabilität und allgemeiner Qualität beeinflusst.

Es ist an dieser Stelle unmöglich, alle verschiedenen Variablen in Erwägung zu ziehen und die optimalen Lösungen zu besprechen. In den folgenden Beispielen sehen wir uns jedoch einige übliche Kalibrierszenarios und Vorschläge für Messstrategien an.

Beispiel 1: 2 DMM-Anzeigen, 1 Referenzsonde und 5 UUTs

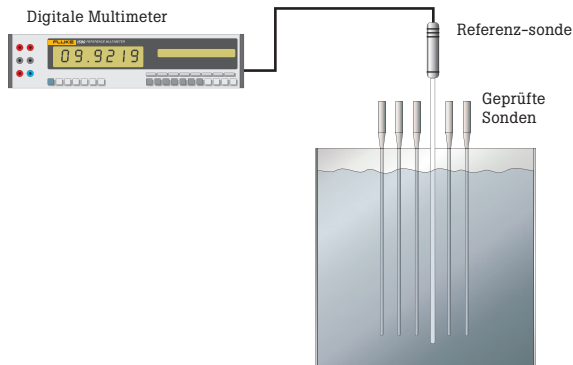


Die Referenzsonde wird an die erste Anzeige angeschlossen, das erste UUT wird an die zweite Anzeige angeschlossen. Dadurch stehen die zu prüfenden Sonden immer unter Strom. Dieser Aufbau vermeidet Eigenerwärmungsfehler, die aufgrund von sich ändernden Bedingungen auftreten könnten. Die UUTs werden jeweils einzeln angeschlossen und gemessen. Die Strategie sieht wie folgt aus:

REF(1)-UUT (1) - REF(2)-UUT (2) - REF(3)-UUT (3) - REF(4)-UUT (4) - REF(5)-UUT (5)

Man erhält also für die Referenzsonde und das UUT jeweils 5 Messergebnisse. Danach wird der Durchschnitt der Messergebnisse berechnet und bei der Anpassung der Daten genutzt. Falls die Referenzsonde die Messergebnisse als Widerstand angibt, muss die Temperatur berechnet werden. Nach Abschluss sollte dieses Verfahren mit den anderen UUTs durchgeführt werden.

Beispiel 2: 1 DMM-Anzeige, 1 Referenzsonde und 5 UUTs

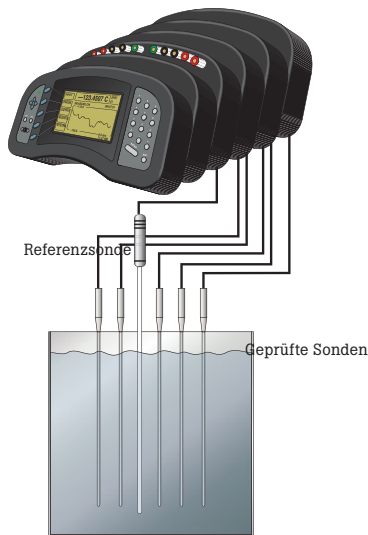


Dieses Beispiel ist dem ersten Beispiel ähnlich, aber die Referenzsonde und das UUT müssen mit der gleichen Anzeige gemessen werden. Die gleiche Strategie kann angewandt werden. Zwischen den einzelnen Messungen muss jedoch mehr Zeit verstreichen, sodass die Eigenerwärmung stattfinden kann. Da damit mehr Zeit verbunden ist, könnte es vorteilhaft sein, die Anzahl der Messungen von fünf auf drei zu reduzieren, es sei denn, die Wärmequelle ist äußerst stabil. Jede Sonde wird einzeln angeschlossen und gemessen. Die Strategie sieht wie folgt aus:

warten-REF(1)-warten-UUT (1) - warten-REF(2)-warten-UUT(2)
 - warten-REF(1)-warten-UUT(3)-abgeschlossen

Man erhält also für die Referenzsonde und das UUT jeweils 3 Messergebnisse. Danach wird der Durchschnitt der Messergebnisse berechnet und bei der Anpassung der Daten genutzt. Falls die Referenzsonde die Messergebnisse als Widerstand angibt, muss danach die Temperatur berechnet werden. Nach Abschluss sollte dieses Verfahren mit den anderen UUTs durchgeführt werden.

Beispiel 3: 1 Mehrkanal-Thermometer-Anzeige, 1 Referenzsonde und 5 UUTs



In diesem Beispiel werden alle Sonden direkt mit der Thermometeranzeige (1560 Black Stack von Fluke Calibration) verbunden. Die Anzeige steuert die Messung, liest die Sonden ab und führt die Statistikberechnungen in Echtzeit durch. Je nach der Art der Thermometeranzeige ist die Stromversorgung ggf. nicht ständig eingeschaltet. Wenn die Stromversorgung immer anliegt, treten keine Eigenerwärmungsfehler auf. Anderweitig sollte darauf geachtet werden, dass das Schalten schnell genug stattfindet, um die Eigenerwärmungsfehler auf eine vernachlässigbare Größe zu senken. Die Strategie sieht wie folgt aus:

REF - UUT 1 - UUT 2 - UUT 3 - UUT 4 - UUT 5 - repita 10 o más veces

Man erhält also für die Referenzsonde und die UUTs jeweils viele Messergebnisse. Der Durchschnitt kann berechnet und direkt von der Anzeige dargestellt werden. Außerdem werden die Messungen der Referenzsonde als Temperatur angegeben; weitere Berechnungen sind daher nicht erforderlich und die Daten sind zur Anpassung bereit.

Schritt 5: Thermometerkalibrierung Kurvenanpassung

Die Datenanpassung ist dem Konzept nach einfach, kann sich in der Praxis jedoch als kompliziert erweisen. Im Wesentlichen handelt es sich um einen Prozess, bei dem mehrere Gleichungen gleichzeitig gelöst werden. Diese Gleichungen enthalten die Kalibrierdaten und eine Gruppe von Koeffizienten, die speziell für das PRT und die Kalibrierung gelten. Es gibt mehrere professionelle Softwareprogramme, die insbesondere für die Bewältigung dieser Aufgabe geschrieben wurden. Einige besitzen begrenzte Funktionalität und berechnen nur die grundlegenden Temperaturfunktionen. Andere sind etwas flexibler und bieten Optionen bezüglich der Anzahl und Stelle der Kalibrierpunkte. Außerdem liefern sie Analysen in Bezug auf die Genauigkeit der daraus resultierenden Anpassung. Das letztere Programm ist bevorzugt. Messtechniker, die diese Algorithmen selbst lösen möchten, würden wahrscheinlich eine gute mathematische Anwendung wie Mathcad oder Mathematica oder sogar ein Tabellenkalkulationsprogramm wie Excel äußerst nützlich finden. Von Hart Scientific werden zwei Programme angeboten: TableWare zur Berechnung der Kalibrierkoeffizienten und MET/TEMP II zur Automatisierung der Kalibrieraufgaben und zur Berechnung der Kalibrierkoeffizienten. Programme können natürlich auch mithilfe einer der modernen Programmiersprache (mit Doppelpräzision oder besserer Fließkommafunktion) geschrieben werden, um die Berechnungen mit gleicher Genauigkeit durchzuführen.

Es gibt mehrere Gleichungen, die für die PRT-Charakterisierung verwendet werden. Zu den am häufigsten verwendeten gehören die Funktionen der Internationalen Temperaturskala von 1990 (ITS-90), die Callendar-Van Dusen-Gleichung und Polynome des dritten bis fünften Grades. Da offensichtlich mehr als ein Modell zur Verfügung steht, mit dessen Hilfe das Verhalten eines physikalischen Systems beschrieben werden kann, müssen wir das beste für die jeweilige Situation auswählen. Im Folgenden werden die Funktionen und der Zweck dieser verschiedenen Modelle diskutiert und die Art der Gleichung beschrieben. Die Schritte, die für die Anpassung der Daten erforderlich sind, werden später in diesem Handbuch im Abschnitt über Mathematik besprochen.

ITS-90: Die ITS-90-Funktionen wurden durch die Zusammenarbeit der führenden Temperaturexperten der internationalen Messtechnik-Community entwickelt. Diese Funktionen sollten beschreiben, auf welche Weise das Verhalten des SPRT äußerst präzise den Fixpunkten entspricht, auf denen die Skala basiert. Für SPRTs und qualitativ hochwertige PRTs funktioniert dies sehr gut. Die ITS-90 verwendet eine Referenzfunktion – eine Abweichungsfunktionsstruktur, die im Vergleich zu herkömmlichen Polynomen viele Vorteile besitzt und für Anwendungen mit hoher Genauigkeit das bevorzugte Modell ist. Bei den nachfolgenden Gleichungen bezieht sich T auf die ITS-90-Temperaturen in Grad Kelvin.

Gleichung 1. ITS-90-Widerstandsverhältnis

$$W(T_{90}) = \frac{R(T_{90})}{R_{TPW}}$$

Wobei: $W(T_{90})$ = Widerstandsverhältnis bei Temperatur T
 $R(T_{90})$ = bei Temperatur T gemessener Widerstand
 RTPW = am Wassertripelpunkt gemessener Widerstand

Gleichung 2. Abweichung von der ITS-90-Referenzfunktion.

$$\Delta W(T_{90}) = W(T_{90}) - W_r(T_{90})$$

Wobei: $\Delta W(T_{90})$ = Abweichung des berechneten W der Referenzfunktion bei Temperatur T
 $W(T_{90})$ = berechnetes Widerstandsverhältnis bei Temperatur T (von Gleichung (1))
 $W_r(T_{90})$ = Referenzfunktionswert bei Temperatur T

Gleichung 3. Referenzfunktion für den Bereich von 13,8033 K bis 273,16 K (-259,3467 °C bis 0,01 °C):

$$\ln(W_r(T_{90})) = A_0 + \sum_{i=1}^{12} A_i \left(\frac{\ln\left(\frac{T_{90}}{273.16}\right) + 1.5}{1.5} \right)^i$$

Wobei: $W_r(T_{90})$ = valor de la función de referencia a la temperatura T
 A_i = coeficientes de la función de referencia de la definición

Gleichung 4. Abweichungsfunktion für den Unterbereich 83,8058 K bis 273,16 K (-189,3442 °C bis 0,01 °C):

$$\Delta W_4(T_{90}) = a_4 \cdot (W(T_{90}) - 1) + b_4 \cdot (W(T_{90}) - 1) \cdot \ln(W(T_{90}))$$

Wobei: $W(T_{90})$ = berechneter Abweichungswert bei Temperatur T (aus Gleichung (2))
 $W(T_{90})$ = berechnetes Widerstandsverhältnis bei Temperatur T (aus Gleichung (1))
 a_4, b_4 = resultierende Kalibrierkoeffizienten

Gleichung 5. Función de referencia para el rango de 273,15 K a 1234,93 K (0,00 °C a 961,78 °C):

$$W_r(T_{90}) = C_0 + \sum_{i=1}^9 C_i \left(\frac{\frac{T_{90}}{K} - 754.15}{481} \right)^i$$

Wobei: $W_r(T_{90})$ = Referenzfunktionswert bei Temperatur T
 C_i = Referenzfunktionskoeffizienten aus Definition

Gleichung 6. Abweichungsfunktion für den Unterbereich 273,15 K bis 692,677 K (0,00 °C bis 419,527 °C):

$$\Delta W_8(T_{90}) = a_8 \cdot (W(T_{90}) - 1) + b_8 \cdot (W(T_{90}) - 1)^2$$

Wobei: $\Delta W(T_{90})$ = berechneter Abweichungswert bei Temperatur T (aus Gleichung (2))
 $W(T_{90})$ = berechnetes Widerstandsverhältnis bei Temperatur T (aus Gleichung (1))
 a_8, b_8 = resultierende Kalibrierkoeffizienten

Die in den Abweichungsfunktionen (Gleichungen 4 und 6) benutzten Kennzeichnungen 4 und 8 wurden vom NIST zur Identifizierung bestimmter Unterbereiche eingefügt. Die Werte für die Koeffizienten A_i und C_i der Referenzfunktionen (Gleichungen 3 und 5) werden Tabelle 3 angegeben.

Tabelle 3. ITS-90-Referenzfunktionskoeffizienten

Koeffizient	Wert
A_0	-2.135 347 29
A_1	3.183 247 20
A_2	-1.801 435 97
A_3	0.717 272 04
A_4	0.503 440 27
A_5	-0.618 993 95
A_6	-0.053 323 22
A_7	0.280 213 62
A_8	0.107 152 24
A_9	-0.293 028 65
A_{10}	0.044 598 72
A_{11}	0.118 686 32
A_{12}	-0.052 481 34
C_0	2.781 572 54
C_1	1.646 509 16
C_2	-0.137 143 90
C_3	-0.006 497 67
C_4	-0.002 344 44
C_5	0.005 118 68
C_6	0.001 879 82
C_7	-0.002 044 72
C_8	-0.000 461 22
C_9	0.000 457 24

Callendar-Van Dusen-Gleichung: Die Callendar-Van Dusen (CVD) Gleichung hat eine lange Geschichte. Viele Jahre lang war sie die Hauptgleichung für die SPRT- und PRT-Interpolation. Sie lag den Temperaturskalen von 1927, 1948 und 1968 zugrunde. Diese Gleichung ist sehr viel einfacher als die ITS-90-Gleichungen, ist jedoch in Bezug auf die Genauigkeit der Anpassung sehr eingeschränkt. Demzufolge ist sie für hochgenaue Anwendungen nicht geeignet, kann jedoch bei Anwendungen genutzt werden, die eine geringere Genauigkeit fordern. Aufgrund ihrer Geschichte und Einfachheit, hauptsächlich jedoch dank ihrer fortgesetzten Eignung ist sie auch weiterhin das bevorzugte Modell für die heutigen Platin-Widerstandsthermometer. Bei den nachfolgenden Gleichungen bezieht sich t auf die ITS-90-Temperaturen in Grad Celsius.

Gleichung 7. Callendar-Van Dusen-Widerstandsverhältnis:

$$W(t) = \frac{R(t)}{R_0}$$

Wobei: W(t) = Widerstandsverhältnis bei Temperatur t
 R(t) = gemessener Widerstand bei Temperatur t
 R₀ = gemessener Widerstand 0 °C

Und...

Gleichung 8. Callendar-Van Dusen-Gleichung

$$W(t) = 1 + At + Bt^2 + Ct^3 \cdot (t - 100)$$

Wobei: W(t) = relación de resistencia a la temperatura t (referencia 0 °C)
 A,B,C = coeficientes de calibración (C es = 0 para temperaturas superiores a 0 °C)

Hinweis: Alle Temperaturen werden in °C angegeben und das Widerstandsverhältnis (W) wird auf 0 °C bezogen und nicht auf den Wassertripelpunkt (0,010 °C) wie bei der ITS-90.

Polynome: Polynome werden häufig dazu verwendet, Modelle von physikalischen Phänomenen aus allen Feldern der Wissenschaft zu erstellen. Bei PRTs sind sie aufgrund des erforderlichen hohen Grades nur begrenzt einsetzbar. (Denken Sie daran, dass die Referenzfunktionen für ITS-90 Polynome des 9. und 12. Grades für die Bereiche über 0 °C und unter 0 °C sind.) Außerdem verwenden die vorherigen Modelle das Widerstandsverhältnis als die anzupassende Variable. Die meisten verwendeten Polynome passen direkt zum Widerstand. Da die Stabilität des Widerstands dem Widerstandsverhältnis nicht gleicht, besitzen diese Modelle ernsthafte Beschränkungen. Andererseits können Polynome in begrenzten Bereichen und bei Anwendungen mit sehr bescheidenen Genauigkeitsanforderungen äußerst nützlich sein.

Gleichung 9. Typische RTD-Polynomgleichung

$$t = a + bR + cR^2 + dR^3 + eR^4$$

Wobei: t = Temperatur
 R = Widerstand
 a,b,c,d,e = Kalibrierkoeffizienten

Toleranzprüfverfahren

PRT-Kalibrierungen mit Toleranzprüfungen sind für Anwendungen mit geringer Genauigkeit reserviert. Bei dieser Art der Kalibrierung wird der UUT-Widerstand mit vordefinierten Werten bei bestimmten Temperaturen verglichen. Diese Werte werden mithilfe eines häufig verwendeten Modells, wie der ASTM 1137- oder IEC 60751-Kurve, definiert. Die auf diese Weise kalibrierten PRTs werden im Allgemeinen bei industriellen Anwendungen eingesetzt. Dort können keine besonderen Koeffizienten in die Anzeige eingegeben werden, sondern die Anzeige wurde mit einer häufig auftretenden PRT-Kurve vorprogrammiert. Die Sonde muss geprüft werden, um ihre Übereinstimmung mit der jeweiligen Kurve festzustellen. Es wurden Genauigkeitsklassen definiert, in die die Sonden eingeordnet werden sollen.

Die zwei am häufigsten verwendeten Genauigkeitsklassen sind Klasse A und Klasse B:

	IEC 60751	ASTM 1137
Klasse A	± [0.15 + (0.002 · t)] °C	± [0.13 + (0.0017 · t)] °C
Klasse B	± [0.30 + (0.005 · t)] °C	± [0.25 + (0.0042 · t)] °C

Dazu gehören Fehler, die sich aus Abweichungen bei R₀ und aus Neigungsfehlern ergeben. Es gibt häufig Sonden, die mit einem Bruchteil der Klasse A eingestuft sind. Zum Beispiel 0,1 ASTM Klasse A. Die Bruchteilsgenauigkeit kann nur bei Sensoren erzielt werden; bei Sonden ist dies sehr schwierig. Die Berechnungen sind äußerst unkompliziert. Siehe unten:

Beispiel 4: Berechnung der Genauigkeit einer 0,1 ASTM Klasse A Sonde bei 100 °C

1. = (0.13 + (0.0017 · t)) · 0.1
2. = (0.13 + (0.0017 · 100)) · 0.1
3. = (0.13 + 0.17) · 0.1 = 0.03

PRTs, die mit einer Standard-Spezifikation wie ASTM 1137 oder IEC 60751 übereinstimmen, liegen für eine bestimmte Temperatur innerhalb der Toleranzen der definierten Widerstandswerte. Die Widerstandswerte werden von einer Art der Callendar-Van Dusen (CVD) Gleichung sowie von den angegebenen Werten für die Koeffizienten A, B und C (siehe Tabelle 4) definiert. Diese Werte werden mithilfe einer veröffentlichten Tabelle bestimmt oder über die Gleichungen gelöst.

Messungen für Toleranzprüfungen werden genau wie die Messungen zur Charakterisierung durchgeführt. Die ITS-90-Temperatur wird mithilfe des Referenzthermometers bestimmt. Der Widerstand des UUTs wird danach mit den definierten Widerstandswerten verglichen. Das UUT gilt dann je nach den angegebenen Toleranzen (d. h. Klasse A oder Klasse B) als bestanden oder nicht bestanden (Toleranzstatus).

Tabla 4. Ecuaciones para ASTM 1137 y IEC 60751

Rango	Ecuación de Callendar-Van Dusen
$-200\text{ °C} \leq t < 0\text{ °C}$	$R_t = R_0[1 + At + Bt^2 + C(t - 100)t^3]$
$0\text{ °C} \leq t \leq 650\text{ °C}$	$R_t = R_0[1 + At + Bt^2]$
Valores de coeficientes ASTM 1137 y IEC 60751	
A = 3.9083 X 10 ⁻³	
B = -5.775 X 10 ⁻⁷	
C = -4.183 X 10 ⁻¹²	

Beispiel 5: Berechnung der Toleranz einer 0,1 ASTM Klasse A Sonde bei 100 °C

Temperatur der Referenzsonde wird gemessen	100.00 °C
Temperatur des UUTs wird mit der ASTM 1137 Gleichung und den Koeffizienten berechnet	100.05 °C (vorgegeben)
Fehler wird berechnet	0.05 °C
Toleranz bei 100,00 °C wird berechnet	0.03 °C (siehe Beispiel 4)
Toleranzstatus wird bestimmt	Nicht bestanden (0.05 °C > 0.03 °C)

Um beim Toleranzstatus eines kalibrierten Messgerätes sicher zu sein, müssen die Kalibrierunsicherheiten deutlich unter den Toleranzen des kalibrierten Gerätes liegen. Generell ist ein Verhältnis von 4:1 erforderlich bzw. der Wert muss die Toleranz des kalibrierten Geräts um ein Vierfaches unterschreiten. Andernfalls besteht die Gefahr, dass außerhalb der Toleranz befindliche Messgeräte fälschlicherweise angenommen oder innerhalb der Toleranz befindliche Messgeräte fälschlicherweise abgelehnt werden, was untragbar ist. Wenn sich die Größenordnung des festgestellten Fehlers der Toleranz des kalibrierten Messgeräts nähert, wächst das Risiko der falschen Zuweisung eines Toleranzstatus. Unter diesen

Umständen können sich Schutzzonen als hilfreich erweisen. Wenn eine Schutzzone z. B. 80 % der Toleranz beträgt, dann werden die Messgeräte innerhalb dieses 80 %-Bereichs als bestanden, die Messgeräte außerhalb dieses Bereichs als nicht bestanden und die dazwischen liegenden Messgeräte als unbestimmt eingestuft. Je geringer die Kalibrierunsicherheiten, desto enger kann diese Schutzzone sein.

Fazit

Die Kalibrierverfahren für Platin-Widerstandsthermometer (Charakterisierung und Toleranzprüfung) sind einander ähnlich. Wenn Sie mit modernen Geräten die höchste Genauigkeit erzielen möchten, entscheiden Sie sich für die Charakterisierung. Bei Geräten, die keine Charakterisierung ermöglichen, ist die Toleranzprüfung ggf. die einzige Möglichkeit (eine heute häufig in der Industrie anzutreffende Situation). Beim Durchführen der Toleranzprüfung ist es wichtig, Geräte und Verfahren mit ausreichender Genauigkeit einzusetzen, um den Toleranzstatus mit Gewissheit zu bestimmen.

Comment étalonner une sonde RTD ou sonde à résistance de platine (PRT)

Note d'application

Introduction

Il y a deux types d'étalonnage applicables aux sondes PRT : les essais en caractérisation et en tolérance. Le type d'étalonnage à effectuer est déterminé par la façon d'utiliser l'unité testée (UUT) et par la précision requise par l'utilisateur. Dans l'étalonnage par caractérisation, la résistance de l'unité testée (UUT) est déterminée en plusieurs points de température, et les données sont ajustées à une expression mathématique. Dans l'étalonnage par tolérance par contre, la résistance de l'unité testée (UUT) est comparée aux valeurs définies à des températures spécifiques. Aucun ajustement de données n'a lieu. Dans le laboratoire, nous devons effectuer ces deux types d'étalonnage en tenant compte des besoins de nos clients.

Procédures d'étalonnage

Par caractérisation

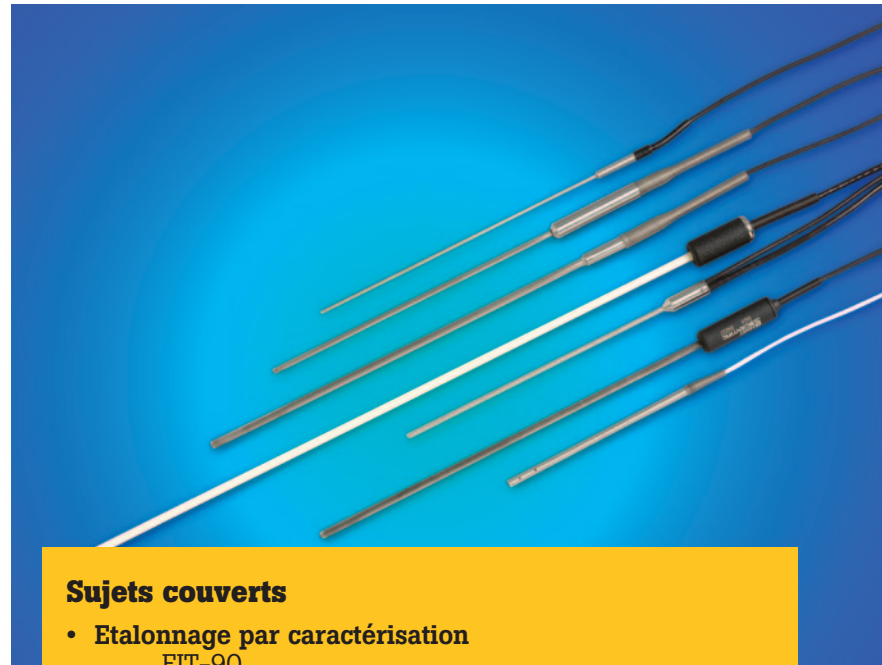
La caractérisation est la méthode la plus souvent utilisée pour l'étalonnage des sondes PRT de précision intermédiaire à élevée. Dans cette méthode, on détermine une nouvelle relation entre résistance et température à chaque étalonnage. Ce type d'étalonnage fournit en règle générale comme produit d'étalonnage de nouveaux coefficients d'étalonnage et une table d'étalonnage. Les cinq étapes de base à effectuer sont citées ci-dessous :

1. Placez la sonde de référence et les unités testées dans la source de température à proximité l'une de l'autre.
2. Connectez les cordons au(x) indicateur(s) pour assurer une connexion à 2, 3 ou 4 fils.
3. Mesurez la sonde de référence et déterminez la température.
4. Mesurez et enregistrez la résistance de la ou des unités testées.
5. Ajustez les données.

Certains indicateurs de mesure simplifient cette méthode en combinant ou en éliminant certaines étapes. Dans la discussion suivante, nous considérons une application impliquant la caractérisation d'une sonde PRT en comparaison à une sonde SPRT.

Etape 1 : Positionnement de la sonde

Toutes les sources de température présentent des instabilités et des gradients. Ceux-ci se traduisent par des erreurs d'étalonnage et/ou des incertitudes. Pour minimiser ces effets, les sondes doivent être positionnées le plus près possibles l'une de l'autre. Dans les bains, les sondes à étalonner doivent être positionnées selon une disposition radiale, avec la sonde de référence au centre (cible) du cercle. On



Sujets couverts

- **Etalonnage par caractérisation**
EIT-90
Callendar-Van Dusen
Equation polynomiale
- **Essais en tolérance**
ASTM 1137
IEC 60751

garantit ainsi une distance égale par rapport à la sonde de référence pour chacune des unités testées. Dans les sources de températures à four sec, la sonde de référence et les sondes à étalonner doivent être positionnées à la même distance par rapport au centre pour fournir des résultats optimaux, mais la référence peut être positionnée au centre s'il y a lieu.

De plus, les éléments de détection doivent être sur un même plan horizontal. Même si les éléments de détection ont des longueurs différentes, il suffit de positionner la partie inférieure des sondes au même niveau. Une immersion suffisante doit être obtenue pour éviter les pertes liées aux tiges des sondes. On obtient généralement une immersion suffisante après avoir plongé les sondes à une profondeur égale à 20 fois le diamètre de la sonde plus la longueur de l'élément de détection. Considérons par exemple une sonde de 4,7625 mm (3/16 po) de diamètre avec un élément de détection de 25,4 mm (1 po) de long. On utilise cette formule simple : $508 \times 4,7625 \text{ mm} \times 25,4 \text{ mm} = 95,25 + 25,4 \text{ mm} = 120,65 \text{ mm}$ ($20 \times 3/16 + 1 \text{ po} = 3 \frac{3}{4} + 1 \text{ po} = 4 \frac{3}{4} \text{ po}$). Dans cet exemple, l'immersion

minimum est obtenue à 120,65 mm (4 3/4 po). Cette formule simple est appropriée avec les constructions de sonde à paroi mince et dans les situations présentant un bon transfert de chaleur. Si la sonde présente une construction à paroi épaisse et/ou en présence d'un transfert de chaleur médiocre (comme dans le cas d'un four sec aux trous incorrectement dimensionnés), le niveau d'immersion doit être augmenté.

Etape 2 : Branchement à l'indicateur

Cette étape est simple. Les branchements doivent être serrés et dans la configuration à 2, 3 ou 4 fils appropriée. Si vous utilisez une configuration à 4 fils, vérifiez que les branchements en courant et en tension sont corrects. Voir la figure 1.

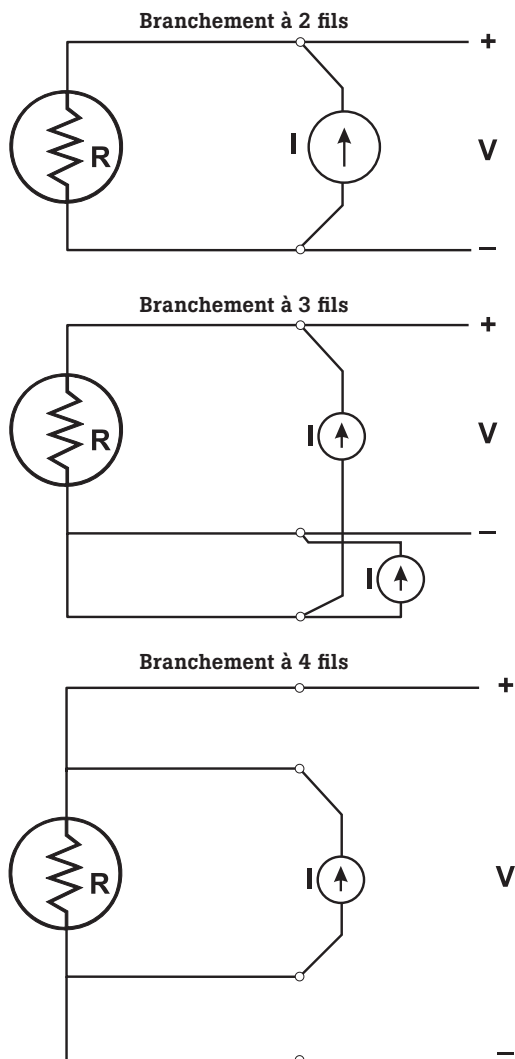


Figure 1. Schéma de branchement de l'indicateur du thermomètre.

Etape 3 : Mesure de la sonde de référence et détermination de la température

Il y a deux façons de mesurer la sonde de référence et de déterminer la température. Les deux techniques ont la même précision potentielle. Autrement dit, si elles sont utilisées correctement, aucune technique n'est intrinsèquement plus précise que l'autre.

La première et meilleure méthode utilise des indicateurs sophistiqués conçus pour les applications de température. La résistance est mesurée et la température calculée à partir des coefficients d'étalonnage qui ont été saisis précédemment dans l'indicateur. Une fois ces coefficients d'étalonnage saisis, les calculs de température sont réalisés en interne et l'indicateur affiche les unités de température. Les données de température sont disponibles en temps réel. Certains indicateurs de mesure modernes affichent également les données graphiques, permettant à l'opérateur de déterminer la stabilité en un coup d'oeil. Ces deux fonctions accélèrent le processus et éliminent les erreurs potentielles des opérateurs dues à une interpolation de table incorrecte.

On utilise la deuxième méthode lorsque l'indicateur de mesure n'assure pas le calcul de température approprié. (Certains indicateurs de mesure, tels que les multimètres numériques, intègrent les fonctions de conversions de températures les plus répandues. Celles-ci ne permettent pas toutefois d'utiliser des coefficients d'étalonnage spécifiques et ne peuvent pas être utilisées pour un étalonnage précis des températures.) Dans ce cas, la résistance est mesurée et la température est déterminée à partir d'une table d'étalonnage, d'un programme informatique ou d'une calculatrice.

Comme la température doit être calculée après la mesure de la résistance, le processus est plus lent et ne fournit pas de données de température immédiates en temps réel. Voir les tableaux 1 et 2 ci-dessous.

Tableau 1. Interpolation d'une table d'étalonnage RTD (résistance par rapport à température).

t (°C)	R(t) (Ω)	dR/dt(t) Ω/°C
400	249,8820	0,3514
401	250,2335	0,3513
402	250,5848	0,3512
403	250,9360	0,3511
450	267,3108	0,3456
451	267,6564	0,3455
452	268,0019	0,3454
453	268,3472	0,3452

1. Mesurer la résistance de la sonde de référence	249,9071 Ω
2. Repérer l'emplacement de la valeur dans la table	entre 249,8820 Ω et 250,2335 Ω
3. Soustraire la valeur inférieure de la table de la valeur mesurée	249,9071 Ω - 249,8820 Ω = 0,0251 Ω
4. Diviser par dR/dT(t) (pente de courbe)	0,0251 / 0,3514 = 0,0714 °C
5. Ajouter la température fractionnaire à la valeur de table	0,0714 °C + 400 = 400,0714 °C

Conseil technique

Le calcul manuel est plus sujet aux erreurs humaines et demande davantage de temps que l'utilisation d'un indicateur conçu pour la température.

Tableau 2. Interpolation d'un étalonnage RTD (table des rapports de résistance(W)).

t(°C)	W(t)	dt/dW(t)
300	2,1429223	275,2199
301	2,1465557	275,3075
302	2,1501880	275,3951
303	2,1538192	275,4827
350	2,3231801	279,6655
351	2,3267558	279,7559
352	2,3303304	279,8464
353	2,3339037	279,9369

1. Mesurer la résistance de la sonde de référence	54.75258 Ω
2. Calculer W (Rt/Rtpw) (Rtpw = 25,54964)	54.75258 Ω / 25.54964 Ω = 2.1429883
3. Repérer l'emplacement de la valeur dans la table	entre 2.1429223 y 2.1465557
4. Soustraire la valeur inférieure de la table de la valeur mesurée	2.1429883 – 2.1429223 = 0.000066
5. Diviser par dt/dW(t) (pente de courbe inverse)	0.000066 • 275.2199 = 0.0182 °C
6. Ajouter la température fractionnaire à la valeur de table	0.01821 °C + 300 °C = 300.0182 °C

Etape 4 : Mesure des unités testées (UUT)

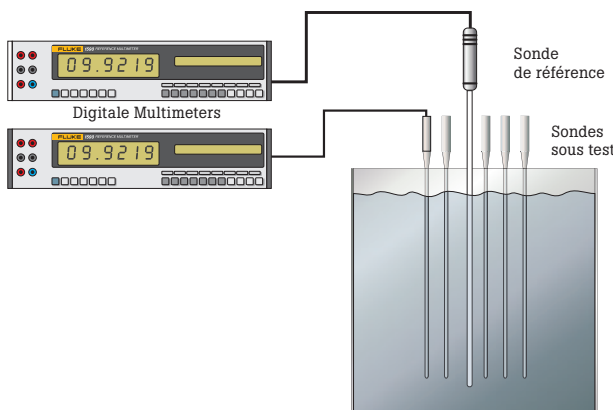
Les unités testées étant des thermomètres à résistance similaires à la sonde de référence, on les mesure de manière similaire. Si plusieurs unités testées sont en cours d'étalonnage, veillez à prévoir un temps d'auto-échauffement suffisant au moment de les brancher ou de les activer, avant de lancer l'enregistrement des données. Vérifiez également que l'indicateur est réglé sur la gamme appropriée pour fournir le courant de source appropriée et empêcher les changements de gamme entre les mesures à températures différentes. Les mesures sont relevées en règle générale en commençant par la plus haute température d'étalonnage et en allant vers le bas. L'utilisation d'une valeur moyenne, calculée à partir de plusieurs mesures à la même température, accroît également la précision de l'étalonnage. Le dispositif de mesure possède souvent des fonctions statistiques pour faciliter cette pratique. Une bonne pratique consiste aussi à interrompre le processus par une mesure supplémentaire de la sonde de référence. La séquence pendant laquelle les sondes (référence et unité testée) sont mesurées est également appelée schéma de mesure. De nombreuses variables doivent être considérées pour concevoir le schéma de mesure. Il doit considérer les points suivants :

- Précision : plus la précision souhaitée est élevée, plus tous les éléments suivants doivent être pris en compte.
- Stabilité de la source de température : plus la source est stable, plus l'opérateur dispose de temps pour effectuer les mesures avant que les changements de température n'entraînent des erreurs.

- Nombre d'unités testées : plus leur nombre est élevé, plus leur prise en compte demande de temps.
- Nombre d'indicateurs de mesure : la sonde de référence et les unités testées sont-elles mesurées avec le même indicateur ou avec différents indicateurs ?
- Type d'indicateur : un indicateur de mesure conçu pour l'étalonnage en température possède souvent des fonctionnalités qui offrent une certaine flexibilité au schéma de mesure.
- Caractéristiques de l'unité testée : le temps d'auto-chauffage, les caractéristiques de la source de courant, la stabilité et la qualité globale influencent le processus de mesure.

Nous ne pouvons pas ici anticiper toutes les variables et présenter les solutions optimales. Nous considérerons toutefois dans les exemples suivants plusieurs scénarios d'étalonnage typiques et schémas de mesure recommandés.

Exemple 1 : 2 indicateurs de multimètres numériques, 1 sonde de référence et 5 unités testées

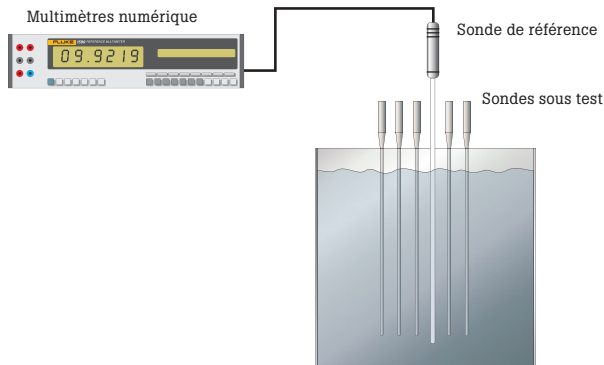


La sonde de référence est connectée à un indicateur, et la première unité testée est connectée au deuxième indicateur. Cet agencement permet d'exposer les sondes à mesurer au courant en permanence, en éliminant ainsi les erreurs d'autochauffage liées au changement des conditions du courant. Les unités testées seront connectées et mesurées individuellement. La formule est la suivante :

$$REF(1)-UUT (1) - REF(2)-UUT (2) - REF(3)-UUT (3) - REF(4)-UUT (4) - REF(5)-UUT (5)$$

Cet agencement assure 5 lectures, chacune pour la référence et l'unité testée. Faites la moyenne des valeurs relevées et utilisez-la pour ajuster les données. Si les lectures de sonde de référence sont en résistance, la température doit être calculée. Après les lectures, répétez le processus pour les unités testées supplémentaires.

Exemple 2 : 1 indicateur de multimètre numérique, 1 sonde de référence et 5 unités testées

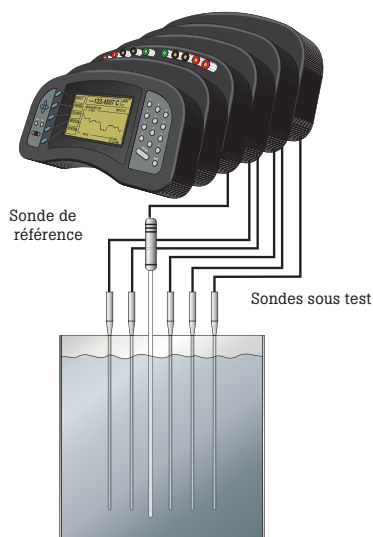


Cet exemple est similaire au premier sauf que la sonde de référence et l'unité testée doivent être mesurées par le même indicateur. L'opérateur suit le même schéma mais doit prévoir davantage de temps entre les lectures pour tenir compte de l'autochauffage. Comme l'opération implique davantage de temps, il peut s'avérer utile de réduire le nombre des valeurs relevées de cinq à trois, sauf si la source de chaleur est extrêmement stable. Chaque sonde est connectée et mesurée individuellement. La formule est la suivante :

attendre-REF(1)-attendre-UUT (1) -
 attendre-REF(2)-attendre-UUT(2)
 - attendre-REF(1)-attendre-UUT(3)-terminé

Cet agencement assure 3 lectures, chacune pour la référence et l'unité testée. Faites la moyenne des valeurs relevées et utilisez-la pour ajuster les données. Ici aussi, si les lectures de la sonde de référence sont en résistances, la température doit être calculée. Après l'opération, répétez le processus pour les autres unités testées.

Exemple 3 : 1 indicateur de thermomètre à canaux multiples, 1 sonde de référence et 5 unités testées



Dans cet exemple, toutes les sondes sont connectées directement à l'indicateur du thermomètre, modèle Fluke Calibration 1560 Black Stack. L'indicateur contrôle la mesure et explore toutes les sondes en calculant les statistiques en temps réel. Le courant peut être fourni en permanence ou non, selon le type d'indicateur du thermomètre. Si le courant est fourni en permanence, il n'y aura pas d'erreurs d'autochauffage. Si le courant n'est pas fourni en permanence, veillez à assurer la permutation rapidement pour réduire les erreurs d'autochauffage à un niveau négligeable. La formule est la suivante :

REF - UUT 1 - UUT 2 - UUT 3 - UUT 4 - UUT
 5 - répéter 10 fois ou plus

Cet agencement assure de nombreuses lectures, chacune pour la référence et toutes les unités testées. La moyenne peut être calculée et affichée directement par l'indicateur. Par ailleurs, les valeurs relevées de la sonde de référence étant des températures, aucun calcul supplémentaire n'est nécessaire ; les données sont prêtes à être ajustées.

Etape 5 : Ajustement de la courbe d'étalonnage du thermomètre

L'ajustement des données est simple en théorie mais compliqué en pratique. Il s'agit essentiellement de résoudre une série d'équations simultanées qui contiennent les données d'étalonnage pour aboutir à une série de coefficients spécifiques à la sonde PRT et à l'étalonnage. Plusieurs logiciels sur le marché ont été spécifiquement programmés pour cette tâche. Certaines applications ont des fonctions limitées et ne peuvent résoudre que les fonctions de température de base. D'autres applications ont une utilisation plus souple et permettent de sélectionner le nombre et l'emplacement des points d'étalonnage et d'assurer l'analyse de la précision pour l'ajustement résultant. Ce dernier type d'application est préférable. Pour les métrologues qui souhaitent gérer les algorithmes eux-mêmes, un bon logiciel mathématique tels que Mathcad ou Mathematica, voire un tableur comme Excel, sont extrêmement utiles. Hart Scientific propose deux programmes : TableWare pour calculer les coefficients d'étalonnage, et MET/TEMP II pour automatiser les tâches d'étalonnage et calculer les coefficients d'étalonnage. Les programmes peuvent bien entendu être rédigés dans un langage informatique moderne (avec une double précision ou mieux, une représentation en virgule flottante) pour effectuer les calculs avec une précision identique.

On utilise plusieurs équations pour la caractérisation de la sonde PRT. Parmi les plus répandues, on compte l'échelle internationale des températures de 1990 (EIT-90), l'équation de Callendar-Van Dusen et les polynômes de troisième au cinquième degré. Bien sûr, avec plusieurs modèles disponibles pour décrire le comportement d'un système physique, nous devons choisir celui qui convient le mieux à notre situation. La discussion qui suit couvre les fonctions et l'objectif de chaque modèle et décrit la forme des équations. Les étapes nécessaires pour ajuster effectivement les données seront abordées dans la section mathématique plus loin dans ce manuel.

EIT-90 : La série de fonctions EIT-90 a été développée grâce à un effort concerté des grands spécialistes en température de la communauté internationale de

métrologie. Ces fonctions servent à décrire le comportement de la sonde SPRT, avec un très haut degré de précision, par rapport aux points fixes sur lesquels l'échelle repose. Elles assurent extrêmement bien cette comparaison avec les sondes SPRT et avec des sondes PRT de haute qualité. L'EIT-90 utilise une structure fonction de référence-fonction d'écart qui a de nombreux avantages par rapport aux polynômes traditionnels ; ce modèle est préférable pour les applications qui exigent une précision élevée. Dans les équations ci-dessous, le T majuscule renvoie aux températures EIT-90 exprimées en degrés Kelvin.

Equation 1. Rapport de résistance EIT-90

$$W(T_{90}) = \frac{R(T_{90})}{R_{TPW}}$$

Où: $W(T_{90})$ = rapport de résistance à la température T
 $R(T_{90})$ = résistance mesurée à la température T
 R_{TPW} = résistance mesurée au point triple de l'eau

Equation 2. Ecart de la fonction de référence EIT-90.

$$\Delta W(T_{90}) = W(T_{90}) - W_r(T_{90})$$

Où: $\Delta W(T_{90})$ = écart du rapport de résistance W calculé à partir de la fonction de référence à une température T
 $W(T_{90})$ = rapport de résistance calculé à la température T (de l'équation (1))
 $W_r(T_{90})$ = valeur de fonction de référence à la température T

Equation 3. Fonction de référence pour la gamme 13,8033 K à 273,16 K (-259,3467 °C à 0,01 °C) :

$$\ln(W_r(T_{90})) = A_0 + \sum_{i=1}^{12} A_i \left(\frac{\ln\left(\frac{T_{90}}{273.16}\right) + 1.5}{1.5} \right)^i$$

Où: $W_r(T_{90})$ = valeur de fonction de référence à la température T
 A_i = coefficients de la fonction de référence à partir de la définition

Equation 4. Fonction d'écart pour la sous-gamme de 83,8058 K à 273,16 K (-189,3442 °C à 0,01 °C) :

$$\Delta W_4(T_{90}) = a_4 \cdot (W(T_{90}) - 1) + b_4 \cdot (W(T_{90}) - 1) \cdot \ln(W(T_{90}))$$

Où: $W(T_{90})$ = écart calculé à la température T (de l'équation (2))
 $W(T_{90})$ = résistance calculée à la température T (de l'équation (1))
 a_4, b_4 = coefficients d'étalonnage résultants

Equation 5. Fonction de référence pour la gamme de 273,15 K à 1 234,93 K (0,00 °C to 961,78 °C) :

$$W_r(T_{90}) = C_0 + \sum_{i=1}^9 C_i \left(\frac{\frac{T_{90}}{K} - 754.15}{481} \right)^i$$

Où: $W_r(T_{90})$ = valeur de fonction de référence à la température T
 C_i = coefficients de la fonction de référence à partir de la définition

Equation 6. Fonction d'écart pour la sous-gamme de 273,15 K à 692,677 K (0,00 °C à 419,527 °C) :

$$\Delta W_8(T_{90}) = a_8 \cdot (W(T_{90}) - 1) + b_8 \cdot (W(T_{90}) - 1)^2$$

Où: $\Delta W(T_{90})$ = écart calculé à la température T (de l'équation (2))
 $W(T_{90})$ = rapport de résistance calculé à la température T (de l'équation (1))
 a_8, b_8 = coefficients d'étalonnage résultants

Les désignations 4 et 8 dans les fonctions d'écart, les équations (4) et (6) ont été insérées par l'Institut national des normes et des technologies (NIST) aux États-Unis pour l'identification des sous-gammes spécifiques. Les valeurs des coefficients A_i et C_i dans les fonctions de référence, les équations (3) et (5) sont fournies dans le tableau 3.

Tableau 3. Coefficients de fonction de référence EIT-90

Coefficient	Valeur
A_0	-2,135 347 29
A_1	3,183 247 20
A_2	-1,801 435 97
A_3	0,717 272 04
A_4	0,503 440 27
A_5	-0,618 993 95
A_6	-0,053 323 22
A_7	0,280 213 62
A_8	0,107 152 24
A_9	-0,293 028 65
A_{10}	0,044 598 72
A_{11}	0,118 686 32
A_{12}	-0,052 481 34
C_0	2,781 572 54
C_1	1,646 509 16
C_2	-0,137 143 90
C_3	-0,006 497 67
C_4	-0,002 344 44
C_5	0,005 118 68
C_6	0,001 879 82
C_7	-0,002 044 72
C_8	-0,000 461 22
C_9	0,000 457 24

Callendar-Van Dusen-Gleichung: L'équation de Callendar-Van Dusen (CVD) a une longue histoire. Elle était la principale équation pour l'interpolation SPRT et PRT pendant de nombreuses années. Elle formait la base des échelles de température de 1927, 1948 et 1968. Cette équation est beaucoup plus simple que les équations EIT-90 mais présente de sérieuses limitations pour la précision de l'ajustement. Elle n'est donc pas adaptée aux applications exigeant une haute précision mais convient parfaitement aux applications de précision plus modeste. Elle continue d'être le modèle préféré des sondes à résistance de platine d'aujourd'hui, pour son histoire et de sa simplicité mais surtout pour sa capacité d'adaptation non démentie. Dans les équations ci-dessous, le t minuscule renvoie aux températures EIT-90 exprimées en degrés Celsius.

Equation 7. Rapport de résistance Callendar-Van Dusen

$$W(t) = \frac{R(t)}{R_0}$$

Où : W(t) = rapport de résistance à la température t
 R(t) = résistance mesurée à la température t
 R₀ = résistance mesurée 0 °C

et...

Equation 8. Equation de Callendar-Van Dusen

$$W(t) = 1 + At + Bt^2 + Ct^3 \cdot (t - 100)$$

Où : W(t) = rapport de résistance à la température t (référence 0 °C)
 A,B,C = coefficients d'étalonnage (C = 0 pour les températures supérieures à 0 °C)

REMARQUE: Toutes les températures sont exprimées en °C et le rapport de résistance (W) est référencé à 0 °C plutôt qu'au point triple de l'eau (0,010 °C) comme dans le cas de l'EIT-90.

Polynômes : Les polynômes sont fréquemment utilisés comme modèle pour les phénomènes physiques dans tous les domaines scientifiques. Ils ont des applications limitées avec les sondes PRT car il faut en utiliser un nombre élevé pour réaliser l'ajustement approprié. (Rappelez-vous que les fonctions de référence de l'EIT-90 sont des polynômes de 9e et 12e degrés pour les gammes supérieures à 0 °C et inférieures à 0 °C.) De plus, les modèles précédents utilisent le rapport de résistance comme variable pour l'ajustement. La plupart des polynômes utilisés s'ajustent directement à la résistance. Comme la résistance n'est pas aussi stable que le rapport de résistance, ces modèles présentent des limitations importantes. Cela dit, les polynômes peuvent être très utiles dans des gammes limitées et dans les applications avec des exigences de précision très modestes.

Equation 9. Equation polynomiale RTD typique

$$t = a + bR + cR^2 + dR^3 + eR^4$$

Où : t = température
 R = résistance
 a,b,c,d,e = coefficients d'étalonnage

Méthode d'essais en tolérance

Les étalonnages PRT impliquant des essais en tolérance sont réservés aux applications à faible précision. Dans ce type d'étalonnage, on compare la résistance de l'unité testée avec les valeurs définies à des températures spécifiques. Les valeurs sont définies par l'un des modèles courants tels que la courbe ASTM 1137 ou CEI 60751. Les sondes PRT étalonnées de cette façon sont généralement utilisées dans les applications industrielles où l'indicateur n'est pas en mesure d'accepter des coefficients uniques mais est préprogrammé avec une courbe PRT commune. La sonde doit être testée pour assurer sa conformité à la courbe d'intérêt. Des classes de précision auxquelles les sondes doivent adhérer sont définies.

Les deux classes de précision courantes sont la classe A et la classe B :

	IEC 60751	ASTM 1137
Classe A	± [0.15 + (0.002 · t)] °C	± [0.13 + (0.0017 · t)] °C
Classe B	± [0.30 + (0.005 · t)] °C	± [0.25 + (0.0042 · t)] °C

Ces classes incluent les erreurs résultant des écarts dans RO et des erreurs de pente. On verra fréquemment des sondes homologuées à une fraction de la classe A. Par exemple, 0,1 ASTM classe A. Une précision fractionnaire est réalisable dans les capteurs seuls, mais très difficile à réaliser dans les sondes. Les calculs sont simples. Voir ci-dessous :

Exemple 4 : Calculer la précision d'une sonde de 0,1 ASTM classe A à 100 °C

1. = (0.13 + (0,0017 · t)) · 0,1
2. = (0.13 + (0,0017 · 100)) · 0,1
3. = (0.13 + 0.17) · 0,1 = 0.03

Les sondes PRT conformes à une spécification standard de type ASTM 1137 ou CEI 60751 doivent tomber dans les tolérances des valeurs de résistance définies pour une température donnée. Les valeurs de résistance sont définies par une forme de l'équation de Callendar-Van Dusen (CVD) et les valeurs spécifiées pour les coefficients A, B et C (voir tableau 4). Ces valeurs peuvent être déterminées en utilisant une table publiée, ou calculées en résolvant les équations.

Les mesures des essais en tolérance sont effectuées de la même manière que les mesures de la caractérisation. La température EIT-90 est déterminée par le thermomètre de référence. La résistance de l'unité testée est ensuite comparée aux valeurs de résistance définies, et l'état correct ou échec est déterminé en fonction des tolérances spécifiées (c.-à-d. classe A ou classe B).

Tableau 4. Equations pour ASTM 1137 et CEI 60751

Gamme	Equation de Callendar-Van Dusen
$-200\text{ °C} \leq t < 0\text{ °C}$	$R_t = R_0[1 + At + Bt^2 + C(t - 100)t^3]$
$0\text{ °C} \leq t \leq 650\text{ °C}$	$R_t = R_0[1 + At + Bt^2]$
Valeurs de coefficient STM 1137 et CEI 60751	
A = 3,9083 X 10 ⁻³ B = -5,775 X 10 ⁻⁷ C = -4,183 X 10 ⁻¹²	

Exemple 5 : Calculer la tolérance d’une sonde de 0,1 ASTM classe A à 100 °C

Mesurer la température de la sonde de référence	100,00 °C
Mesurer la température indiquée de l’unité testée en utilisant l’équation et les coefficients ASTM 1137	100,05 °C (vorgegeben)
Calculer l’erreur	0,05 °C
Calculer la tolérance à 100,00 °C	0,03 °C (Voir l’exemple 4)
Déterminer l’état de la tolérance	Echec (0,05 °C > 0,03 °C)

Pour être certain de l’état de la tolérance d’un instrument étalonné, il est nécessaire que les incertitudes d’étalonnage soient sensiblement meilleures que la tolérance de l’instrument étalonné. Un rapport de 4:1 ou quatre fois supérieur à la tolérance de l’instrument étalonné est normalement requis. Si tel n’est pas le cas, on s’expose à un risque inacceptablement élevé de voir les instruments acceptés sur une base erronée, ou de voir les instruments injustement rejetés alors qu’ils sont dans les limites de tolérance. A mesure que l’amplitude de l’erreur détectée se rapproche de la tolérance de l’instrument étalonné, le risque de voir l’état de tolérance incorrectement attribué augmente. Des bandes de garde peuvent être utiles dans ces

circonstances. Par exemple, avec une bande de garde à 80 % de la tolérance, les instruments dans la fourchette des 80 % de tolérance sont acceptés, les instruments en dehors de cette tolérance sont rejetés et les instruments dans l’intervalle sont indéterminés. La bande de garde peut être d’autant plus resserrée que les incertitudes d’étalonnage sont faibles.

Conclusion

Les procédures d’étalonnage des sondes à résistance de platine sont identiques avec la méthode par caractérisation ou avec la méthode par tolérance. Pour une précision optimale sur les équipements modernes, choisissez la méthode par caractérisation. Pour les équipements qui ne permettent pas la caractérisation, les essais en tolérance sont parfois l’unique solution, et c’est une situation courante dans l’industrie aujourd’hui. En procédant aux essais en tolérance, il est important d’utiliser des équipements et des procédures avec une précision suffisante pour déterminer l’état de la tolérance avec fiabilité.

Cómo calibrar una RTD o un sensor de temperatura con resistencia de platino (PRT)

Nota de aplicación

Introducción

Los termómetros PRT tienen dos tipos de calibraciones: caracterización y pruebas de tolerancia. El tipo de calibración que se debe realizar viene determinado por el uso que recibirá la unidad bajo prueba (UUT) y por la exactitud que requiera el usuario. La caracterización es el tipo de calibración en la que se determina la resistencia de la unidad bajo prueba (UUT) a varios puntos de temperatura y los datos se ajustan a una expresión matemática. Por su parte, las pruebas de tolerancia son una calibración en la que se compara la resistencia de la UUT respecto a valores definidos a temperaturas específicas. No se realiza ningún tipo de ajuste de los datos. En el laboratorio, se requiere realizar estos dos tipos de calibración en función de las necesidades de nuestros clientes.

Procedimientos de calibración

Caracterización

La caracterización es el método que se utiliza con mayor frecuencia para una calibración de PRT con exactitud de media a alta. Con este método, se determina una nueva relación de resistencia respecto a la temperatura con cada calibración. Por lo general, con este tipo de calibración se proporcionan nuevos coeficientes de calibración y una tabla de calibración. Hay cinco pasos básicos que se describen a continuación:

1. Coloque la sonda de referencia y las UUT en la fuente de temperatura, muy cercanas entre sí.
2. Conecte los cables de conexión a los lectores; asegúrese de que la conexión de 2, 3 ó 4 hilos es correcta.
3. Mida la sonda de referencia y determine la temperatura.
4. Mida y registre la resistencia de las UUT.
5. Ajuste los datos.

Algunos lectores simplifican la técnica combinando o eliminando algunos pasos. En la siguiente explicación, plantaremos una aplicación que requiere la caracterización del PRT respecto a un SPRT.

Paso 1: Colocación de la sonda

Todas las fuentes de temperatura tienen inestabilidades y gradientes que se traducen en errores de calibración e incertidumbres. Para minimizar los efectos, las sondas deben colocarse tan cerca entre sí como sea posible. En los baños, las sondas que se van a calibrar se deben colocar en un patrón radial con la sonda de referencia en el centro (foco) del círculo. Esto asegura una distancia igual desde la sonda de referencia a cada una de las sondas



Temas cubiertos

- **Calibración por caracterización**
ITS-90
Callendar-Van Dusen
Polinomios
- **Pruebas de tolerancia**
ASTM 1137
IEC 60751

a calibrar. En fuentes de temperatura de pozo seco, la sonda de referencia y las sondas que se van a calibrar deben colocarse todas a la misma distancia del centro para obtener resultados óptimos, pero la referencia puede colocarse en el centro, en caso de ser necesario.

Además, los elementos de detección deben estar en el mismo plano horizontal. Si bien los elementos de detección tienen diferentes longitudes, basta con tener las partes inferiores de las sondas al mismo nivel. La inmersión debe ser suficiente para que no ocurran pérdidas en el vástago. En general, la inmersión es suficiente cuando se sumergen las sondas hasta una profundidad igual a 20 veces el diámetro de la sonda más la longitud del elemento de detección. Por ejemplo, imagínese una sonda de 3/16 de pulgadas de diámetro con un elemento de detección de 1 pulgada de largo. Usando la regla práctica, $20 \times 3/16 \text{ pulg} + 1 \text{ pulg} = 3 \text{ } 3/4 \text{ pulg} + 1 \text{ pulg} = 4 \text{ } 3/4 \text{ pulg}$. En este ejemplo, la inmersión mínima es de $4 \text{ } 3/4$ pulgadas. Esta regla práctica por lo general es correcta con construcciones

de sonda de pared delgada y en situaciones de buena transferencia térmica. Si la sonda tiene una construcción de pared gruesa o hay una deficiente transferencia térmica (como en el caso de un pozo seco con orificios de tamaño incorrecto), se requiere una inmersión mayor.

Paso 2: Conexión al lector

Este paso es muy sencillo. Las conexiones deben ser firmes, y en la configuración correcta de 2, 3 ó 4 hilos. Si se está utilizando una configuración de 4 hilos, asegúrese de que las conexiones de corriente y tensión sean correctas. Vea la figura 1.

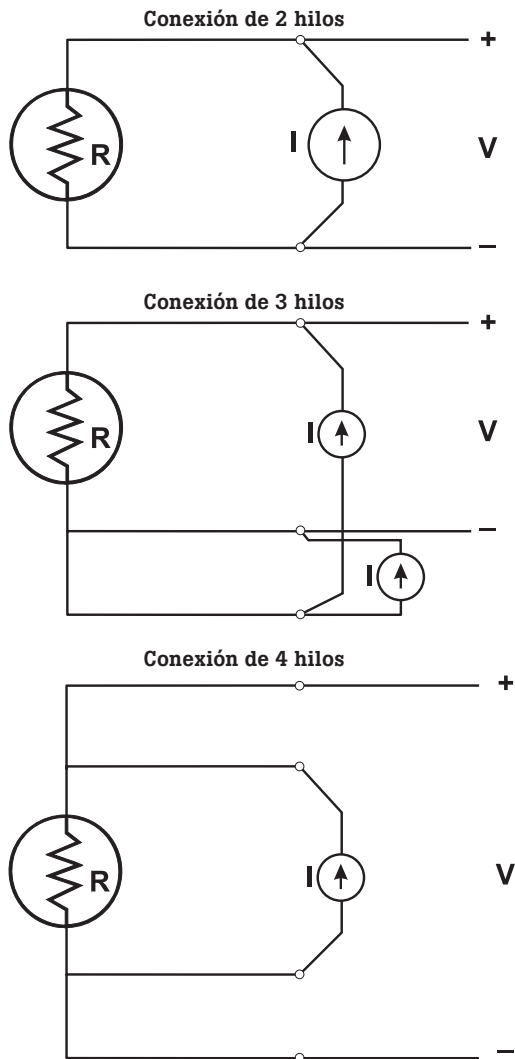


Figura 1. Esquema de conexiones del lector del termómetro.

Paso 3: Medida de la sonda de referencia y determinación de la temperatura

Existen dos maneras de medir la sonda de referencia y determinar la temperatura. Ambas técnicas tienen la misma exactitud potencial. Es decir, si se hacen correctamente, ninguna técnica es por sí más exacta que la otra.

El primer y mejor método se utiliza con lectores sofisticados diseñados para trabajar con temperaturas. Se mide la resistencia y se calcula la temperatura a partir de coeficientes de calibración que se introdujeron anteriormente en el lector. Una vez introducidos estos coeficientes de calibración, los cálculos de temperatura se realizan internamente y el lector presenta sus datos en unidades de temperatura. Los datos de temperaturas están disponibles en tiempo real. Algunos lectores modernos también muestran los datos en formato gráfico, de forma que el usuario puede determinar la estabilidad a simple vista. Ambas características aceleran el proceso y eliminan posibles errores del usuario debido a una interpolación incorrecta de la tabla.

El segundo método se utiliza cuando el lector no permite el cálculo apropiado de la temperatura. (Algunos lectores, particularmente los multímetros digitales (DMM), tienen incorporadas algunas de las conversiones de temperatura más comunes, y no suelen permitir el uso de coeficientes únicos de calibración, por lo que no pueden utilizarse para una calibración exacta de la temperatura.) En este caso, la resistencia se mide y la temperatura se determina a partir de una tabla de calibración o de un programa de ordenador o calculadora.

Dado que debe calcularse la temperatura después de medir la resistencia, el proceso es más lento y no proporciona datos inmediatos de temperatura en tiempo real. Consulte las tablas 1 y 2 que aparecen a continuación.

Tabla 1. Interpolación de una tabla de calibración de RTD (resistencia respecto a temperatura).

t (°C)	R(t) (Ω)	dR/dt(t) Ω/°C
400	249.8820	0.3514
401	250.2335	0.3513
402	250.5848	0.3512
403	250.9360	0.3511
450	267.3108	0.3456
451	267.6564	0.3455
452	268.0019	0.3454
453	268.3472	0.3452

1. Mida la resistencia de la sonda de referencia	249.9071 Ω
2. Localice dónde aparece en la tabla	between 249.8820 Ω and 250.2335 Ω
3. Reste el valor menor de la tabla del valor medido	249.9071 Ω - 249.8820 Ω = 0.0251 Ω
4. Divida entre dR/dT(t) (pendiente de la curva)	0.0251 / 0.3514 = 0.0714 °C
5. Suma la temperatura fraccional al valor de la tabla	0.0714 °C + 400 = 400.0714 °C

Sugerencia técnica

El cálculo manual es más propenso a error humano y requiere más tiempo que el uso de un lector diseñado para trabajar con temperaturas.

Tabla 2. Interpolación de una calibración de RTD [tabla de relación de resistencia (W)].

t(°C)	W(t)	dt/dW(t)
300	2.1429223	275.2199
301	2.1465557	275.3075
302	2.1501880	275.3951
303	2.1538192	275.4827
350	2.3231801	279.6655
351	2.3267558	279.7559
352	2.3303304	279.8464
353	2.3339037	279.9369

1. Mida la resistencia de la sonda de referencia	54.75258 Ω
2. Calcule W (R _i /R _{tpw}) (R _{tpw} = 25.54964)	54.75258 Ω / 25.54964 Ω = 2.1429883
3. Localice dónde aparece en la tabla	entre 2.1429223 y 2.1465557
4. Reste el valor menor de la tabla del valor medido	2.1429883 – 2.1429223 = 0.000066
5. Multiplique por dt/dW(t) (inversa de la pendiente de la curva)	0.000066 • 275.2199 = 0.0182 °C
6. Suma la temperatura fraccional al valor de la tabla	0.01821 °C + 300 °C = 300.0182 °C

Paso 4: Medida de las sondas a calibrar (UUT)

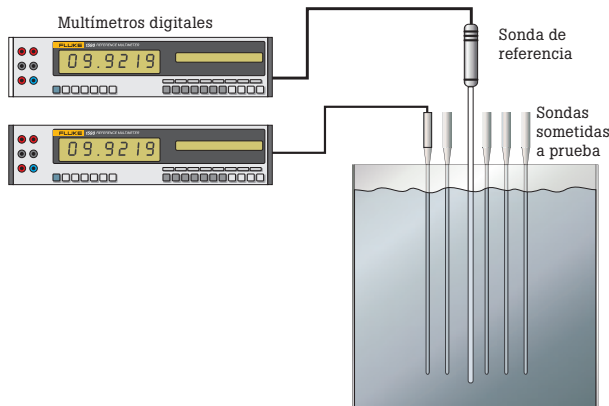
Las UUT son termómetros de resistencia similares a la sonda de referencia, y por lo tanto se miden mediante el mismo procedimiento. Si se someten varias UUT a calibración, asegúrese de que cuando se conecten o conmuten para activarlas, se permita tiempo suficiente para el autocalentamiento antes de registrar los datos. Además, asegúrese de fijar el lector en el rango correcto para proporcionar la corriente correcta de la fuente e impedir cambios de rango entre las medidas a diferentes temperaturas. Las medidas se suelen realizar a partir de la temperatura más alta de calibración y luego se continúa en sentido descendente. También se aumenta la precisión de la calibración usando un valor medio (promedio) calculado a partir de varias medidas a la misma temperatura. Con frecuencia, el lector está diseñado con funciones estadísticas que facilitan esta práctica. También es una buena práctica cerrar el proceso con una medida adicional de la sonda de referencia. La secuencia de medida de las sondas (referencia y UUT) se conoce como esquema de medida. Hay que tener en cuenta muchas variables al diseñar un esquema de medida. Algunos puntos a considerar son:

- Exactitud: cuanto mayor sea la exactitud deseada, más deberán tenerse en cuenta los parámetros siguientes.

- Estabilidad de la fuente de temperatura: cuanto más estable sea la fuente, de más tiempo dispondrá para realizar las medidas antes de que los cambios de temperatura causen errores indeseados.
- Número de UUT: cuanto mayor sea el número, más tiempo se tardará en realizar un ciclo a través de todas las UUT.
- Número de lectores: ¿se medirán la sonda de referencia y las UUT con el mismo lector o con diferentes lectores?
- Tipo de lector: un lector diseñado para la calibración de la temperatura suele tener funciones que permiten flexibilidad en el esquema de medida.
- Características de la UUT: tiempo de autocalentamiento, requisitos de corriente de la fuente, estabilidad y calidad general son factores que influyen en el proceso de medida.

No podemos anticipar todas las variables ni describir las soluciones más óptimas en este documento. Sin embargo, en los ejemplos siguientes, veremos algunas situaciones típicas de calibración y esquemas de medida sugeridos.

Ejemplo 1: 2 lectores DMM, 1 sonda de referencia y 5 UUT



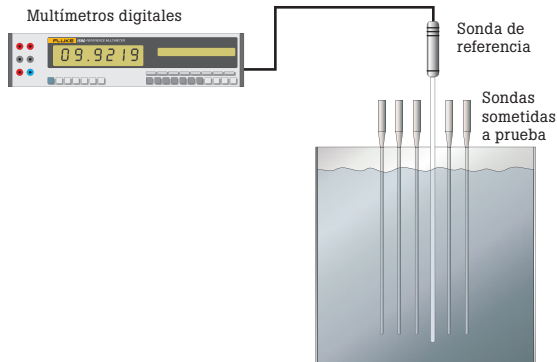
La sonda de referencia se conecta a un lector y la primera sonda a calibrar se conecta al segundo lector. De esta forma, las sondas que se van a medir reciben corriente en todo momento, con lo que se eliminan los errores de autocalentamiento causados por los cambios de la corriente. Las sondas a calibrar se conectarán y se medirán individualmente.

El esquema es el siguiente:

$$\text{REF(1)-UUT (1) - REF(2)-UUT (2) - REF(3)-UUT (3) - REF(4)-UUT (4) - REF(5)-UUT (5)}$$

Esto proporciona 5 lecturas de la referencia y de la sonda a calibrar. Calcule el promedio de las lecturas y utilícelo para el ajuste de los datos. Si los lectores de la sonda de referencia están en resistencia, será necesario calcular la temperatura. Una vez realizado este procedimiento, repita el proceso para las sondas a calibrar adicionales.

Ejemplo 2: 1 lector DMM, 1 sonda de referencia y 5 UUT



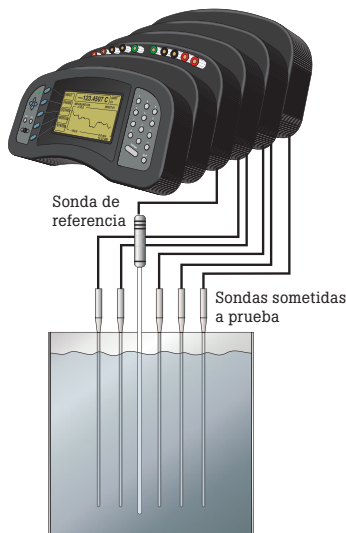
Este ejemplo es similar al primero, salvo que la sonda de referencia y la sonda a calibrar deberán medirse con el mismo lector. Puede seguirse el mismo esquema, pero deberá dejarse más tiempo entre lecturas para el autocalentamiento. Dado que el proceso requiere más tiempo, quizás convenga reducir el número de lecturas de cinco a tres, salvo que la fuente de calor sea extremadamente estable. Cada sonda se conectará y se medirá individualmente.

El esquema es el siguiente:

espera-REF(1)-espera-UUT (1) - espera-REF(2)-espera-UUT(2) - espera-REF(1)-espera-UUT(3)-listo

Esto proporciona 3 lecturas de la referencia y de la sonda a calibrar. Calcule el promedio de las lecturas y utilícelo para el ajuste de los datos. Una vez más, los lectores de la sonda de referencia están en resistencia, de modo que será necesario calcular la temperatura. Una vez realizado este procedimiento, repita el proceso para las sondas adicionales.

Ejemplo 3: 1 lector de termómetro multicanal, 1 sonda de referencia y 5 UUT



En este ejemplo, todas las sondas se conectan directamente al lector del termómetro, un modelo 1560 Black Stack de Hart Scientific. El lector controla la medida y explora todas las sondas que realizan

estadísticas en tiempo real. La corriente puede o no suministrarse en todo momento, dependiendo del tipo de lector de termómetro. Si se suministra corriente en todo momento, no habrá errores de autocalentamiento. Si no se suministra corriente en todo momento, asegúrese de hacer la conmutación con la suficiente rapidez como para reducir los errores de autocalentamiento a un nivel despreciable.

El esquema es el siguiente:

REF - UUT 1 - UUT 2 - UUT 3 - UUT 4 - UUT 5 - repita 10 o más veces

Esto proporciona muchas lecturas de la referencia y de todas las sondas a calibrar. El lector puede calcular el promedio y mostrarlo directamente. Además, las lecturas de la sonda de referencia están en unidades de temperatura, de modo que no se requiere ningún cómputo adicional; los datos pueden ajustarse inmediatamente.

Paso 5: Ajuste de la curva de calibración del termómetro

El ajuste de datos es sencillo en cuanto a su concepto, pero puede ser complicado en la práctica. Esencialmente se trata de un proceso de resolver un conjunto de ecuaciones simultáneas que contienen los datos de calibración para llegar a un conjunto de coeficientes únicos del PRT y de la calibración. Hay varios programas comerciales de software disponibles, redactados específicamente para llevar a cabo esta tarea. Algunos tienen funciones limitadas, y se limitan a resolver las funciones básicas de temperatura. Otros son más flexibles y permiten opciones con respecto al número y ubicación de los puntos de calibración, y proporcionan un análisis con respecto a la precisión del ajuste resultante. Es preferible utilizar este último tipo de programa. Para los metrologos que prefieran trabajar personalmente con los algoritmos, un buen software de aplicación de matemáticas como Mathcad o Mathematica, o incluso una hoja de cálculo como Excel, resulta extremadamente útil. Hart Scientific ofrece dos programas: TableWare para calcular coeficientes de calibración y MET/TEMP II para automatizar tareas de calibración y calcular coeficientes de calibración. Por supuesto que pueden redactarse programas en cualquiera de los lenguajes informáticos modernos (con capacidad de punto flotante de doble precisión o incluso mejor) para realizar los cálculos con igual exactitud.

Existen varias ecuaciones utilizadas para la caracterización de PRT. Entre las más comunes se encuentran la serie de la escala internacional de temperatura de 1990 (ITS-90), la ecuación de Callendar-Van Dusen y los polinomios de tercero a quinto orden. Evidentemente, dado que existen varios modelos para describir la conducta de un sistema físico, debemos elegir cuál es mejor para nuestra situación. La siguiente explicación abarca las características y la finalidad de cada uno de estos modelos, y describe la forma de las ecuaciones. Los pasos necesarios para ajustar los datos se explicarán en la sección referida a las matemáticas, más adelante en este manual.

ITS-90: La serie de funciones ITS-90 fue desarrollada por medio de un esfuerzo conjunto de los expertos líderes en temperatura de la comunidad internacional de metrología. Estas funciones están

concebidas para describir cómo se relaciona el comportamiento del SPRT, con un grado de precisión muy alto, con los puntos fijos sobre los cuales se basa la escala. Se trata de algo que hace muy bien con SPRT y con PRT de alta calidad. La serie ITS-90 utiliza una función de referencia (una estructura de función de desviación que tiene muchas ventajas frente a los polinomios tradicionales y es el modelo preferido para aplicaciones de gran exactitud). En las ecuaciones siguientes, la letra T mayúscula se refiere a las temperaturas de ITS-90 expresadas en unidades Kelvin.

Ecuación 1. Relación de resistencia de la serie ITS-90:

$$W(T_{90}) = \frac{R(T_{90})}{R_{TPW}}$$

Donde: $W(T_{90})$ = relación de resistencia a la temperatura T
 $R(T_{90})$ = resistencia medida a la temperatura T
 R_{TPW} = resistencia medida en el punto triple del agua

Ecuación 2. Desviación de la función de referencia de ITS-90:

$$\Delta W(T_{90}) = W(T_{90}) - W_r(T_{90})$$

Donde: $\Delta W(T_{90})$ = desviación de la W calculada a partir de la función de referencia a la temperatura T
 $W(T_{90})$ = relación de resistencia calculada a la temperatura T [de la ecuación (1)]
 $W_r(T_{90})$ = valor de la función de referencia a la temperatura T

Ecuación 3. Función de referencia para el rango de 13,8033 K a 273,16 K (-259,3467 °C a 0,01 °C):

$$\ln(W_r(T_{90})) = A_0 + \sum_{i=1}^{12} A_i \left(\frac{\ln\left(\frac{T_{90}}{273.16}\right) + 1.5}{1.5} \right)^i$$

Donde: $W_r(T_{90})$ = valor de la función de referencia a la temperatura T
 A_i = coeficientes de la función de referencia de la definición

Ecuación 4. Función de desviación para el subrango de 83,8058 K a 273,16 K (-189,3442 °C a 0,01 °C):

$$\Delta W_4(T_{90}) = a_4 \cdot (W(T_{90}) - 1) + b_4 \cdot (W(T_{90}) - 1) \cdot \ln(W(T_{90}))$$

Donde: $\Delta W(T_{90})$ = valor de desviación calculada a la temperatura T [de la ecuación (2)]
 $W(T_{90})$ = relación de resistencia calculada a la temperatura T [de la ecuación (1)]
 a_4, b_4 = coeficientes de calibración resultantes

Ecuación 5. Función de referencia para el rango de 273,15 K a 1234,93 K (0,00 °C a 961,78 °C):

$$W_r(T_{90}) = C_0 + \sum_{i=1}^9 C_i \left(\frac{\frac{T_{90}}{K} - 754.15}{481} \right)^i$$

Donde: $W_r(T_{90})$ = valor de la función de referencia a la temperatura T
 C_i = coeficientes de la función de referencia de la definición

Ecuación 6. Función de desviación para el subrango de 273,15 K a 692,677 K (0,00 °C a 419,527 °C):

$$\Delta W_8(T_{90}) = a_8 \cdot (W(T_{90}) - 1) + b_8 \cdot (W(T_{90}) - 1)^2$$

Donde: $\Delta W(T_{90})$ = valor de la desviación calculada a la temperatura T [de la ecuación (2)]
 $W(T_{90})$ = relación de la resistencia calculada a la temperatura T [de la ecuación (1)]
 a_8, b_8 = coeficientes de calibración resultantes

The designations 4 and 8 in the deviation functions, equations (4) and (6) were inserted by NIST for identification of specific subranges. The values for the coefficients A_i and C_i in the reference functions, equations (3) and (5) are given in Table 3.

Tabla 3. Coeficientes de la función de referencia de ITS-90

Coeficiente	Valor
A_0	-2.135 347 29
A_1	3.183 247 20
A_2	-1.801 435 97
A_3	0.717 272 04
A_4	0.503 440 27
A_5	-0.618 993 95
A_6	-0.053 323 22
A_7	0.280 213 62
A_8	0.107 152 24
A_9	-0.293 028 65
A_{10}	0.044 598 72
A_{11}	0.118 686 32
A_{12}	-0.052 481 34
C_0	2.781 572 54
C_1	1.646 509 16
C_2	-0.137 143 90
C_3	-0.006 497 67
C_4	-0.002 344 44
C_5	0.005 118 68
C_6	0.001 879 82
C_7	-0.002 044 72
C_8	-0.000 461 22
C_9	0.000 457 24

Callendar-Van Dusen: La ecuación Callendar-Van Dusen (CVD) tiene una larga historia. Fue la ecuación principal para interpolación de SPRT y PRT durante muchos años. Formó la base para las escalas de temperatura de 1927, 1948 y 1968. Esta ecuación es mucho más simple que las ecuaciones ITS-90, pero tiene serias limitaciones en cuanto a la precisión del ajuste. Por este motivo, no es apropiada para aplicaciones de gran exactitud, aunque es perfectamente apta para aplicaciones de exactitud modesta. En parte debido a su historia y su sencillez, pero principalmente a causa de su continua idoneidad, sigue siendo hoy en día el modelo preferido para los termómetros industriales de resistencia de platino. En las ecuaciones siguientes, la letra t minúscula se refiere a las temperaturas de ITS-90 expresadas en unidades Celsius.

Ecuación 7. Relación de resistencia según Callendar-Van Dusen

$$W(t) = \frac{R(t)}{R_0}$$

Donde: W(t) = relación de resistencia a la temperatura t
 R(t) = resistencia medida a la temperatura t
 R₀ = resistencia medida a 0 °C

Y...

Ecuación 8. Ecuación de Callendar-Van Dusen

$$W(t) = 1 + At + Bt^2 + Ct^3 \cdot (t - 100)$$

Donde: W(t) = relación de resistencia a la temperatura t (referencia 0 °C)
 A,B,C = coeficientes de calibración (C es = 0 para temperaturas superiores a 0 °C)

NOTA: Todas las temperaturas se expresan en °C y la relación de resistencia (W) se referencia a 0 °C en lugar de hacerlo al punto triple del agua (0,010 °C), como sucede con ITS-90.

Polinomios: Los polinomios se suelen utilizar para modelar fenómenos físicos de todos los campos de la ciencia. Tienen un uso limitado con los PRT debido a que requieren un orden elevado para conseguir un ajuste apropiado. (Recuerde que las funciones de referencia para el ITS-90 son polinomios de orden 9 y 12 para los rangos por encima de 0 °C y por debajo de 0 °C.) Asimismo, los modelos anteriores utilizan la relación de resistencia como la variable para ajustar. La mayoría de los polinomios en uso admiten directamente la resistencia. Dado que la resistencia no es tan estable como la relación de resistencia, estos modelos tienen serias limitaciones. No obstante, los polinomios pueden ser muy útiles en rangos limitados y en aplicaciones que tengan requisitos de exactitud muy modestos.

Ecuación 9. Típica ecuación polinomial RTD

$$t = a + bR + cR^2 + dR^3 + eR^4$$

Donde: t = temperatura
 R = resistencia
 a,b,c,d,e = coeficientes de calibración

Método de pruebas de tolerancia

Las calibraciones PRT que incluyen pruebas de tolerancia se reservan para aplicaciones de poca exactitud. Con este tipo de calibración, se compara la resistencia de la UUT con valores definidos a temperaturas específicas. Los valores se definen mediante uno de los modelos comunes, como la curva ASTM 1137 o IEC 60751. Las PRT calibradas de esta manera se suelen utilizar en aplicaciones de estilo industrial donde el lector no puede aceptar coeficientes únicos, sino que está preprogramado con una curva PRT común. La sonda debe comprobarse para verificar que sigue la curva de interés. Existen clases de exactitud definidas para que las sondas se ajusten a ellas.

Las dos clases de exactitud más comunes son la clase A y la clase B:

	IEC 60751	ASTM 1137
Clase A	± [0.15 + (0.002 · t)] °C	± [0.13 + (0.0017 · t)] °C
Clase B	± [0.30 + (0.005 · t)] °C	± [0.25 + (0.0042 · t)] °C

Se incluyen errores que surgen de desviaciones en R₀ y de errores en la pendiente. Veremos muchas sondas clasificadas a una fracción de la Clase A. Por ejemplo, 0,1 ASTM Clase A. La exactitud fraccional se logra únicamente en sensores, pero es muy difícil de lograr en sondas. Los cálculos son sencillos. Vea lo siguiente:

Ejemplo 4: Calcule la exactitud de una sonda 0,1 ASTM Clase A a 100 °C

1. = (0.13 + (0.0017 · t)) · 0.1
2. = (0.13 + (0.0017 · 100)) · 0.1
3. = (0.13 + 0.17) · 0.1 = 0.03

Se entiende que los PRT que cumplen una especificación estándar como ASTM 1137 o IEC 60751 quedan dentro de tolerancias de valores de resistencia definidas para cualquier temperatura dada. Los valores de resistencia se definen mediante una forma de la ecuación Callendar-Van Dusen (CVD) y valores especificados para coeficientes A, B y C (consulte la tabla 4). Estos valores pueden determinarse utilizando una tabla publicada o pueden calcularse resolviendo las ecuaciones.

Las medidas para las pruebas de tolerancia se realizan del mismo modo que las medidas para caracterización. La temperatura de ITS-90 se determina mediante el termómetro de referencia. Seguidamente, la resistencia de la UUT se compara con los valores de resistencia definidos, y se determina si pasan o suspenden la prueba con las tolerancias especificadas (es decir, Clase A o Clase B).

Tabla 4. Ecuaciones para ASTM 1137 y IEC 60751

Rango	Ecuación de Callendar-Van Dusen
$-200\text{ °C} \leq t < 0\text{ °C}$	$R_t = R_0[1 + At + Bt^2 + C(t - 100)t^3]$
$0\text{ °C} \leq t \leq 650\text{ °C}$	$R_t = R_0[1 + At + Bt^2]$
Valores de coeficientes ASTM 1137 y IEC 60751	
A = 3.9083 X 10 ⁻³	
B = -5.775 X 10 ⁻⁷	
C = -4.183 X 10 ⁻¹²	

Ejemplo 5: Calcule la tolerancia de una sonda 0,1 ASTM Clase A a 100 °C

Mida la temperatura de la sonda de referencia	100.00 °C
Mida la temperatura indicadade la UUT utilizando la ecuación ASTM 1137 y	100.05 °C (Given)
Calcule el error	0.05 °C
Calcule la tolerancia a 100.00 °C	0.03 °C (consulte el ejemplo 4)
Determine el estado de tolerancia	Suspende (0.05 °C > 0.03 °C)

Para asegurarse de la tolerancia de un instrumento calibrado, es necesario tener incertidumbres de calibración que sean significativamente mejores que la tolerancia del instrumento que se está calibrando. Suele ser necesaria una relación de 4:1 (cuatro veces mejor que la tolerancia del instrumento que se desea calibrar). Cuando esto no es así, puede existir un riesgo inaceptablemente alto de que se acepten por error instrumentos que quedan fuera de tolerancia, o que se rechacen por error instrumentos que sí quedan dentro de tolerancia. A medida que la magnitud del error detectado se acerca a la tolerancia del instrumento calibrado, aumenta el riesgo de asignar una tolerancia incorrecta. En estas circunstancias, pueden resultar útiles las bandas de protección. Por ejemplo, si una banda de protección es del 80 % de la tolerancia, los instrumentos que queden dentro del 80 % de su tolerancia pasarán la prueba, los instrumentos

que queden fuera de la tolerancia suspenderán y los instrumentos que se encuentran entre ambos valores serán indeterminados. Cuanto mejores sean las incertidumbres de la calibración, tanto más ajustada podrá ser la banda de protección.

Conclusión

Los procedimientos de calibración de termómetros de resistencia de platino son similares, independientemente de que el método seleccionado sea caracterización o pruebas de tolerancia. Para conseguir la mejor exactitud con equipos modernos, elija la caracterización. Para equipos que no permitan caracterización, las pruebas de tolerancia pueden ser su única opción, y ésta es una situación común en la industria actual. Al realizar pruebas de tolerancia, es importante utilizar equipos y procedimientos con exactitud suficiente para determinar la tolerancia con confianza.