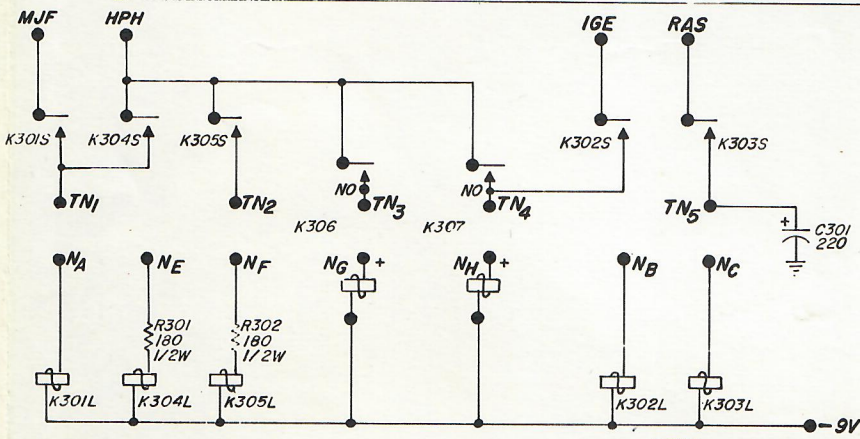
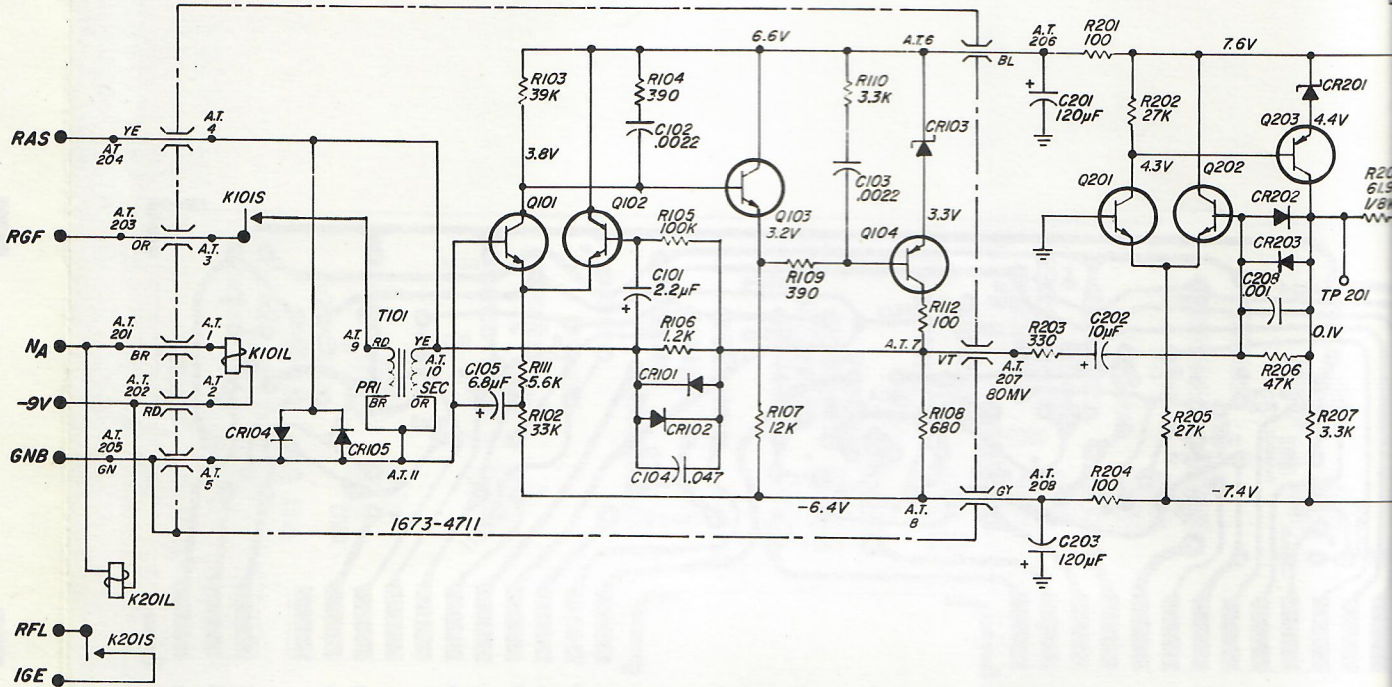
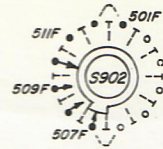


- NOTE UNLESS SPECIFIED**
1. POSITION OF ROTARY SWITCHES SHOWN COUNTERCLOCKWISE.
 2. CONTACT NUMBERING OF SWITCHES EXPLAINED ON SEPARATE SHEET SUPPLIED IN INSTRUCTION BOOK.
 3. REFER TO SERVICE NOTES IN INSTRUCTION BOOK FOR VOLTAGES APPEARING ON DIAGRAM.
 4. RESISTORS 1/4 WATT.
 5. RESISTANCE IN OHMS K 1000 OHMS M 1 MEGOHM
 6. CAPACITANCE VALUES ONE AND OVER IN PICOFARADS, LESS THAN ONE IN MICROFARADS.
 7. ○ KNOB CONTROL
 8. ⊗ SCREWDRIVER CONTROL
 9. AT ANCHOR TERMINAL
 10. TP TEST POINT

FREQUENCY

120C 400C 1KC



- S0301**
- | | |
|--------------------|---------------------|
| 1- | 13- IGE |
| 2- | 14- NA |
| 3- | 15- TN ₁ |
| 4- | 16- TN ₂ |
| 5- GND | 17- NB |
| 6- | 18- TN ₄ |
| 7- RAS | 19- TN ₃ |
| 8- NC | 20- NG |
| 9- TN ₅ | 21- NE |
| 10- NC | 22- NF |
| 11- MJF | 23- NH |
| 12- -9V | 24- HPH |

