

**Agilent E1445A
Component Level
Information**

E1445A Arbitrary Function Generator Component Level Information

Information in this packet applies to the following assemblies:

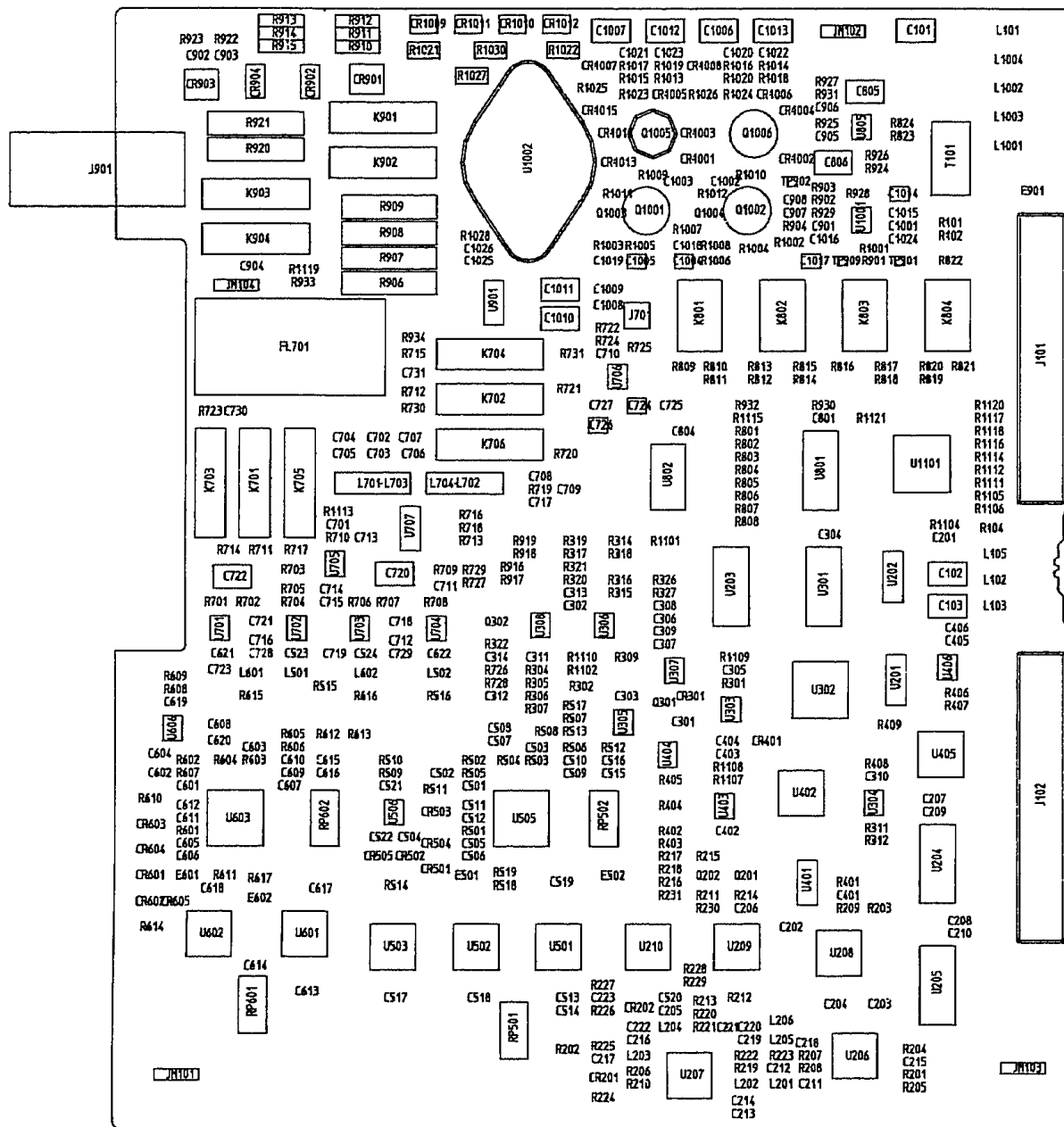
- 1. E1445-66502 PC Assembly**
- 2. E1445-66503 PC Assembly**
- 3. E1445-66511 PC Assembly**

This packet includes:

- 1. Component locators**
- 2. Schematics**
- 3. Parts lists with Agilent and manufacturer's part numbers**

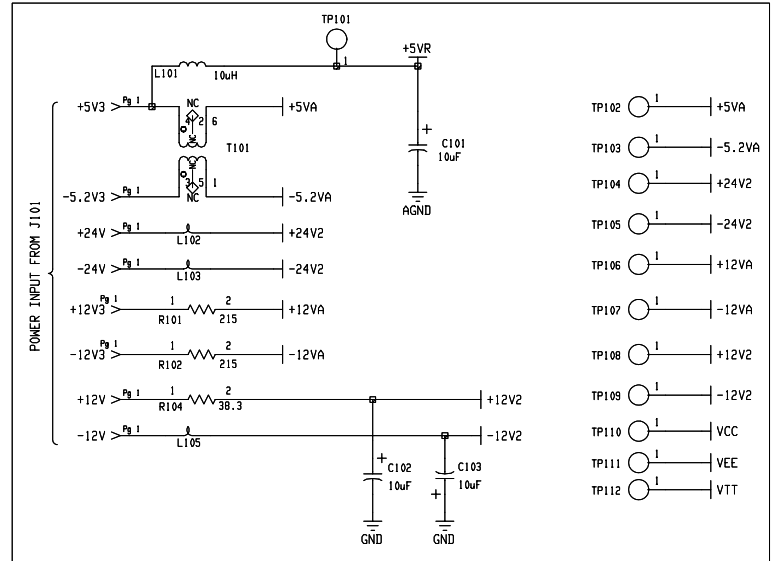
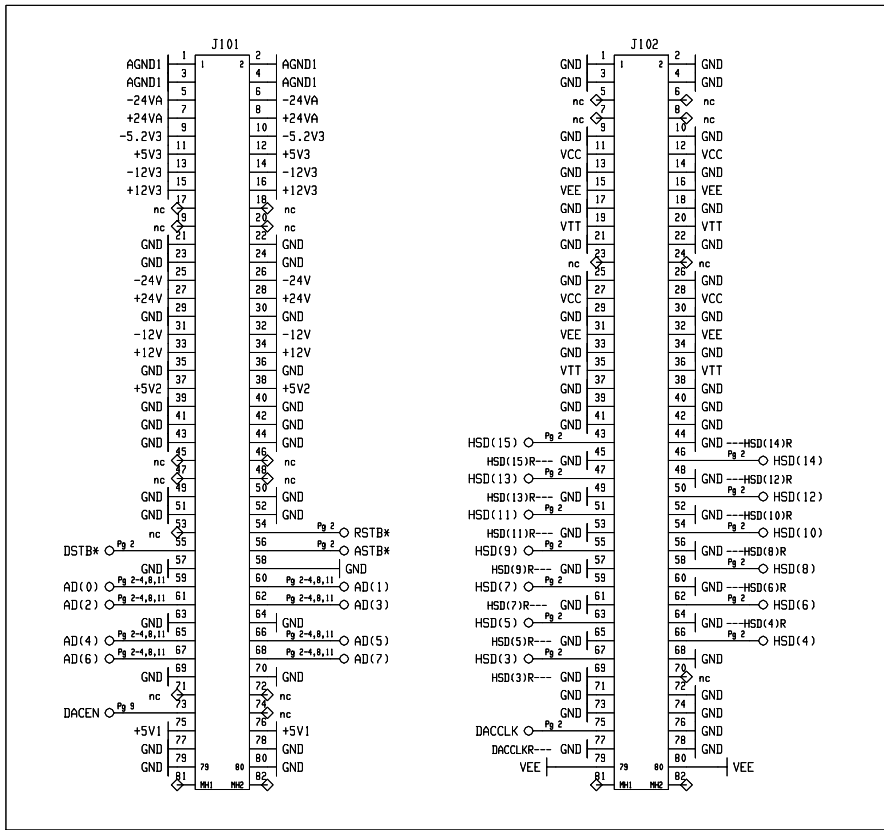
E1445-66502 Component Locator

E1445-26502 B 1-21-92



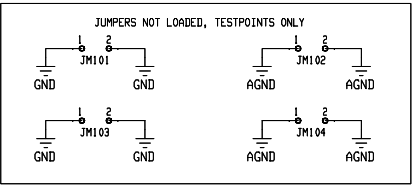
Agilent E1445A
Arbitrary Waveform Generator

E1445-66502 Component Locator



NOTE:
ALL TESTPOINTS ARE CIRCUIT SIDE TESTPOINTS ONLY

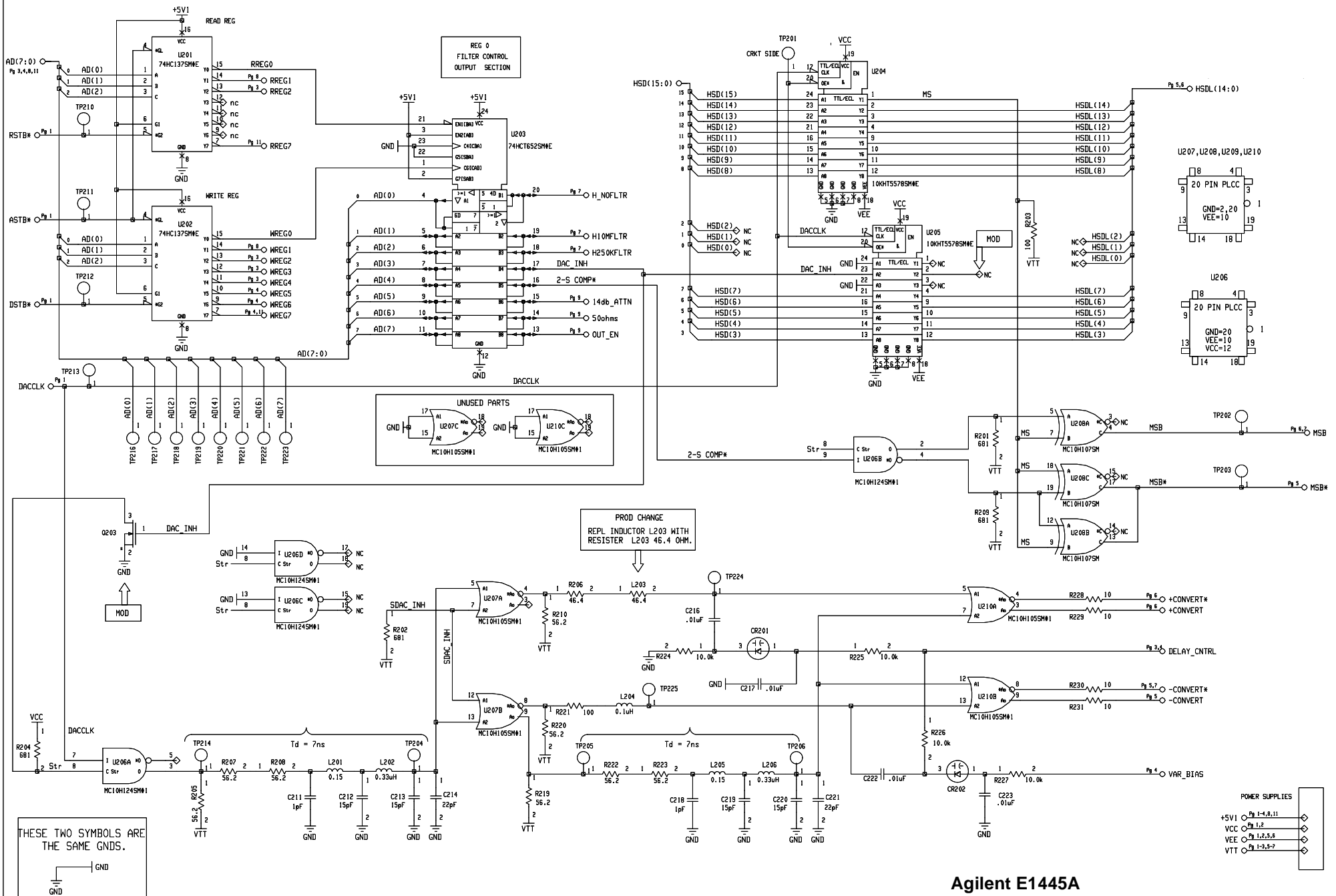
- POWER SUPPLIES**
- +24VA Pg 1,3 SEE PG10
 - 24VA Pg 1,3 SEE PG10
 - +24V2 Pg 1,3
 - 24V2 Pg 1,3,4
 - +12V2 Pg 1,3-6
 - 12V2 Pg 1,3-7
 - +12VA Pg 1,8,9
 - 12VA Pg 1,8,9
 - +5VR Pg 1,7-9
 - +5V2 Pg 1,3
 - +5V1 Pg 1-4,8,11
 - +5VA Pg 1,7-9 SEE PG10
 - 5.2VA Pg 1,7,9 SEE PG10
 - 10VREF Pg 3,4,11
 - 4VREF Pg 3,11
 - +15V Pg 3,4
 - 10V Pg 3,4
 - VCC Pg 1,2
 - VEE Pg 1,2,5,6
 - VTT Pg 1-3,5-7



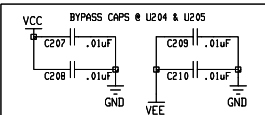
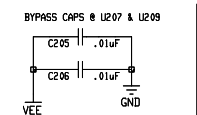
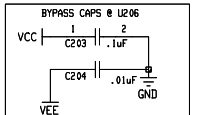
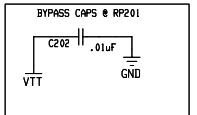
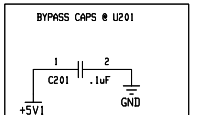
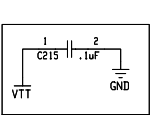
THESE TWO SYMBOLS ARE THE SAME GNDS.

Agilent E1445A Arbitrary Waveform Generator

Input Connectors and Power Supplies

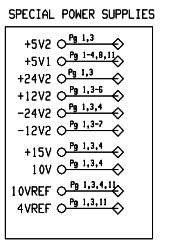
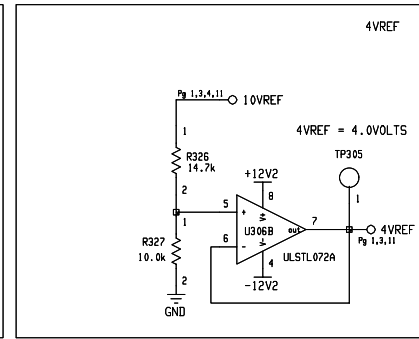
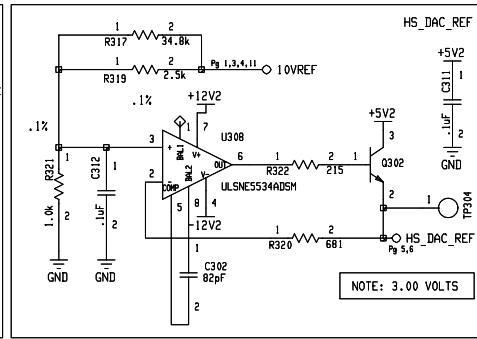
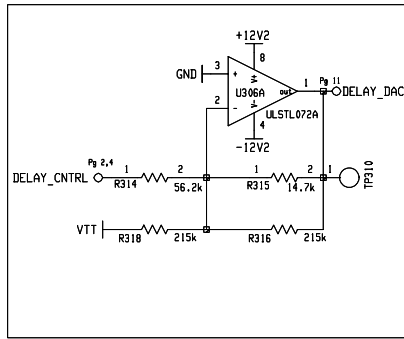
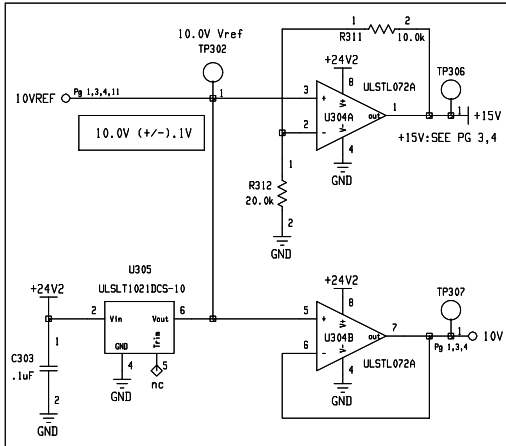
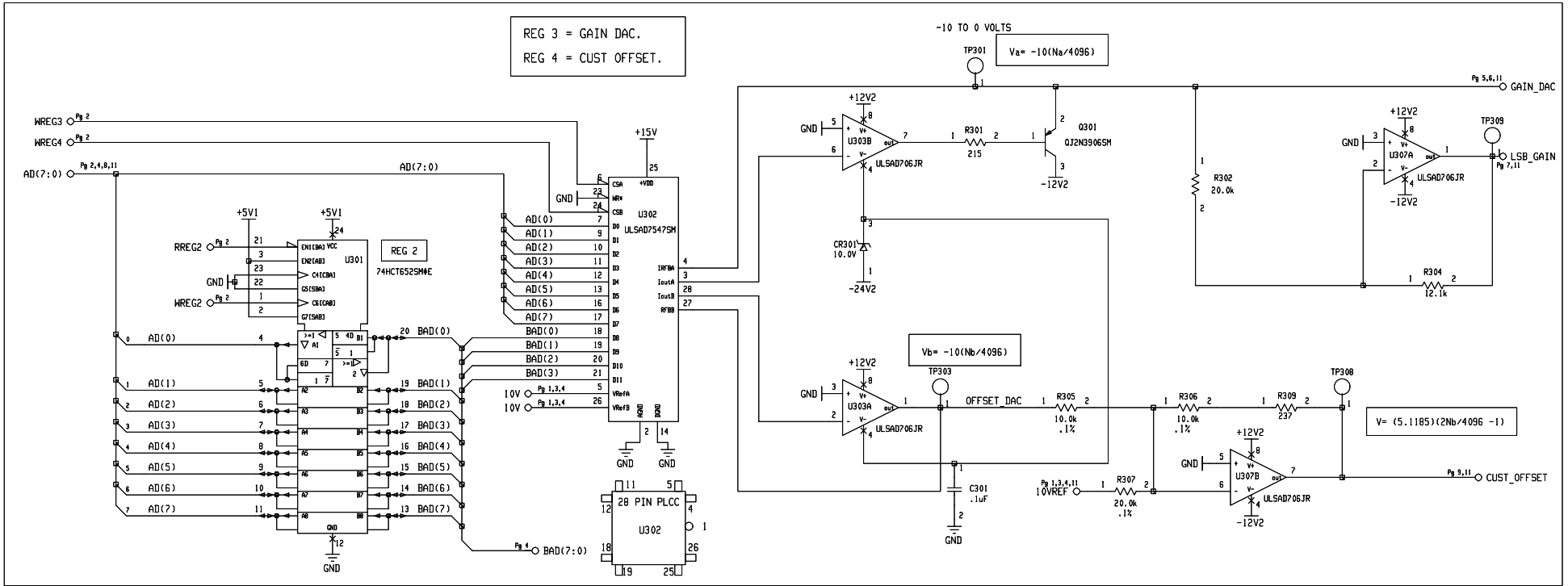


THESE TWO SYMBOLS ARE THE SAME GNDS.



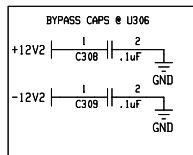
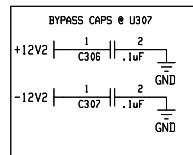
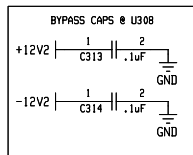
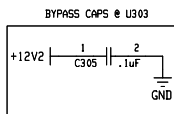
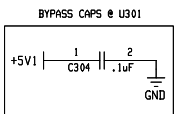
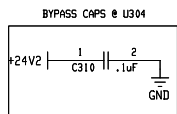
Agilent E1445A Arbitrary Waveform Generator

TTL ECL Converter Pulse Width



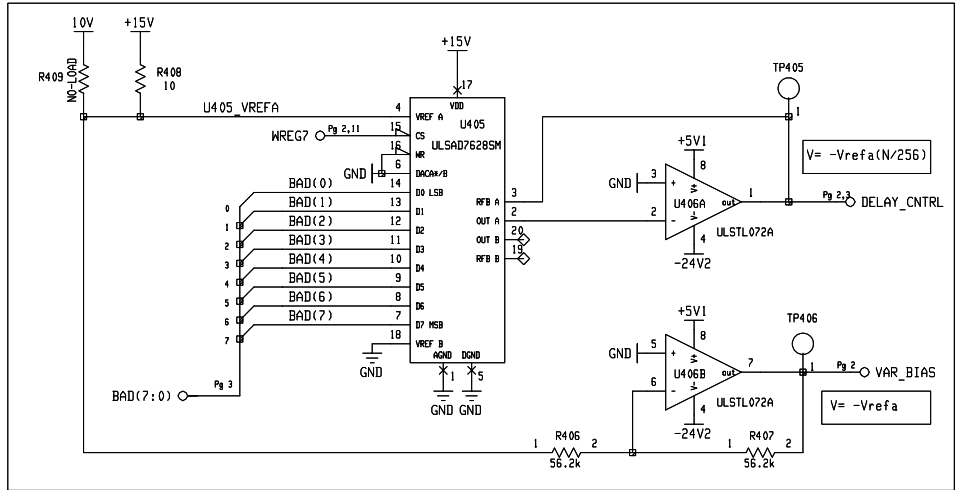
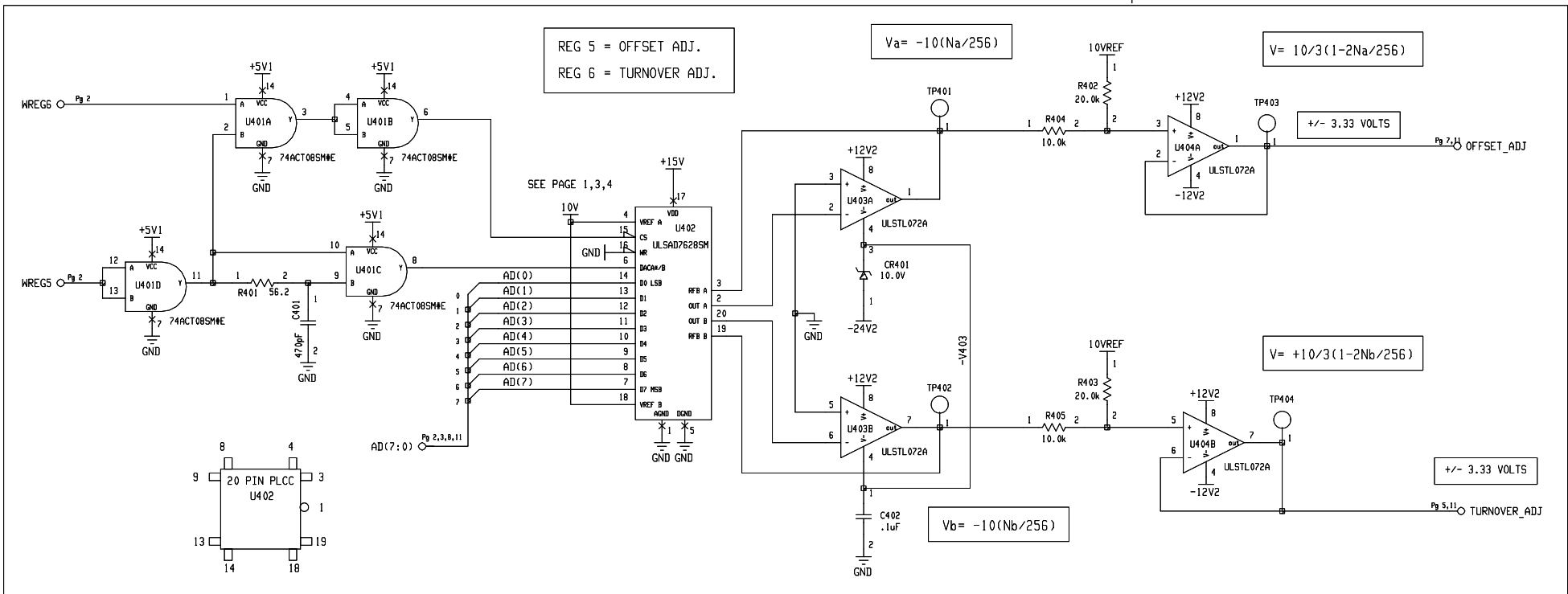
THESE TWO SYMBOLS ARE THE SAME GNDS.

DIGITAL GND => GND
ANALOG GND => AGND

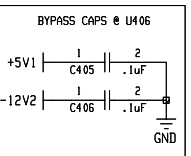
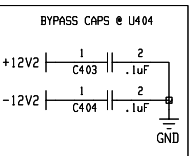
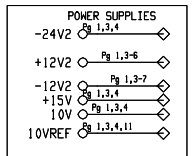


Agilent E1445A Arbitrary Waveform Generator

Digital

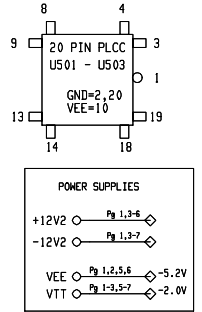
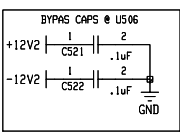
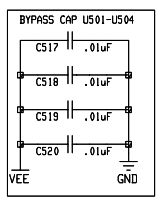
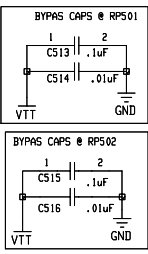
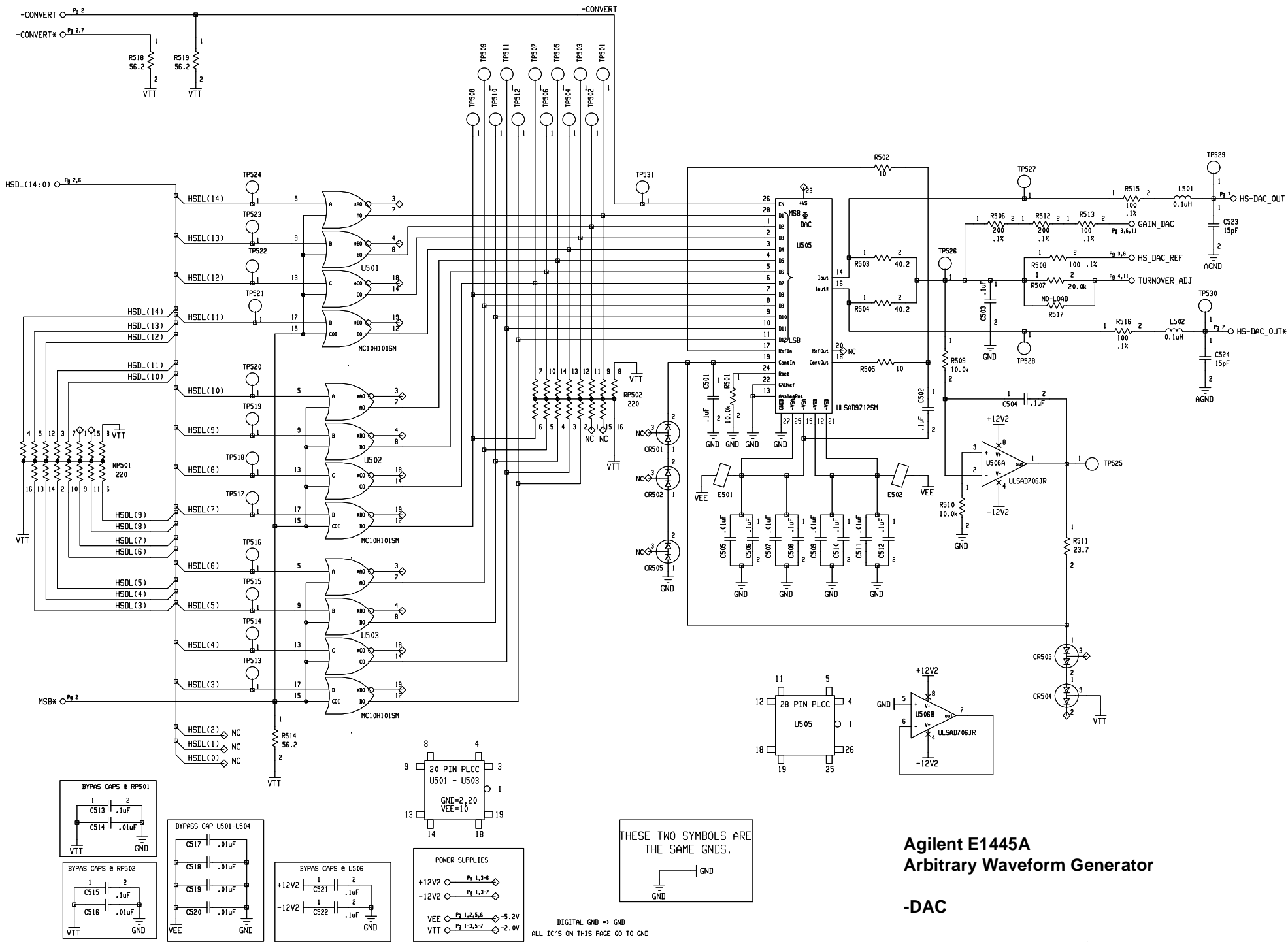


THESE TWO SYMBOLS ARE THE SAME GNDS.



Agilent E1445A Arbitrary Waveform Generator

Offset Current Section

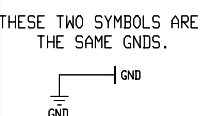
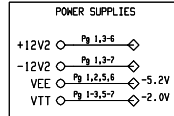
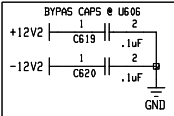
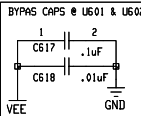
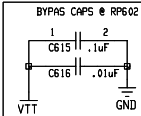
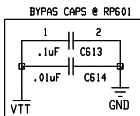
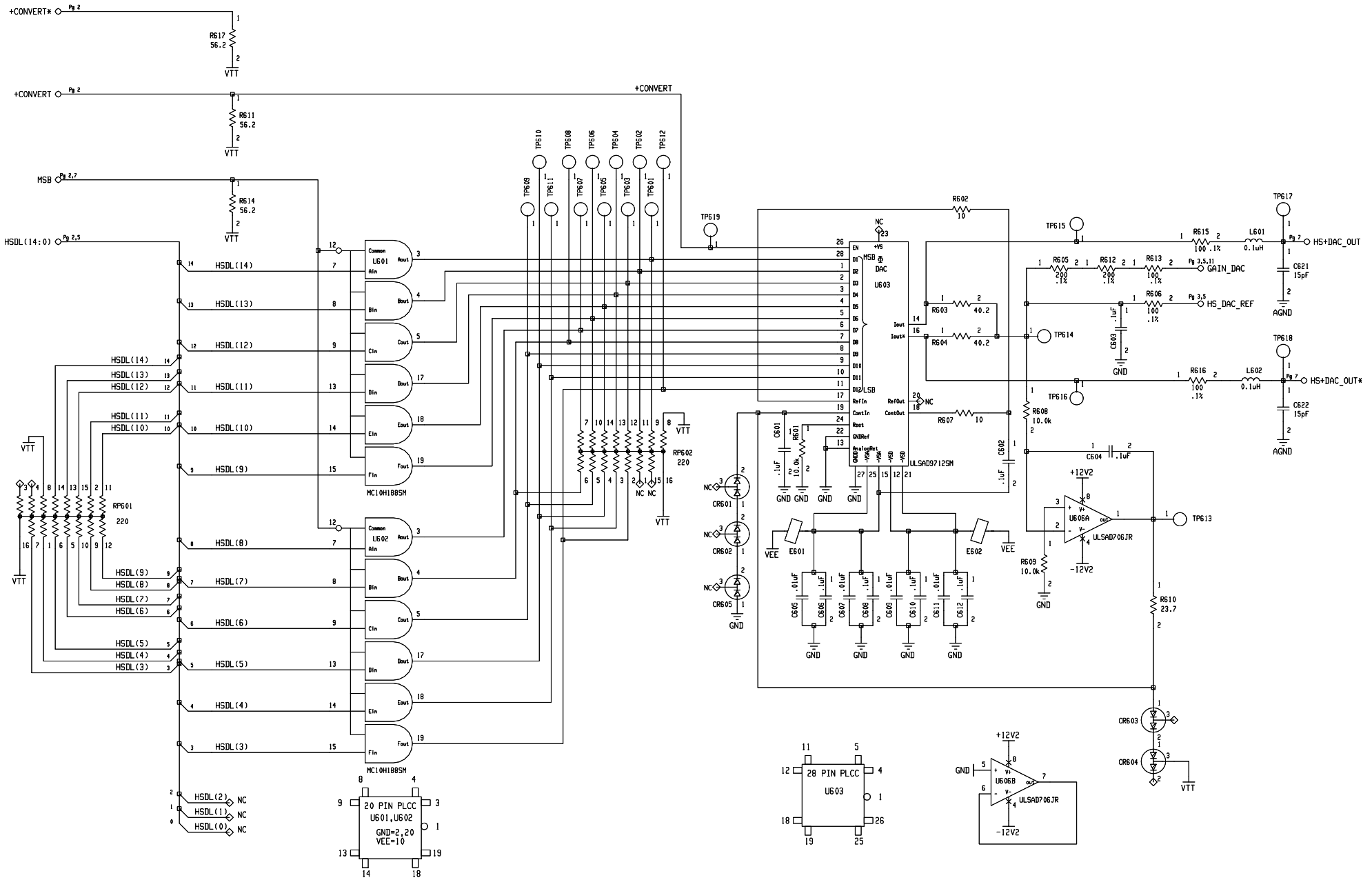


THESE TWO SYMBOLS ARE THE SAME GNDS.

DIGITAL GND => GND
ALL IC'S ON THIS PAGE GO TO GND

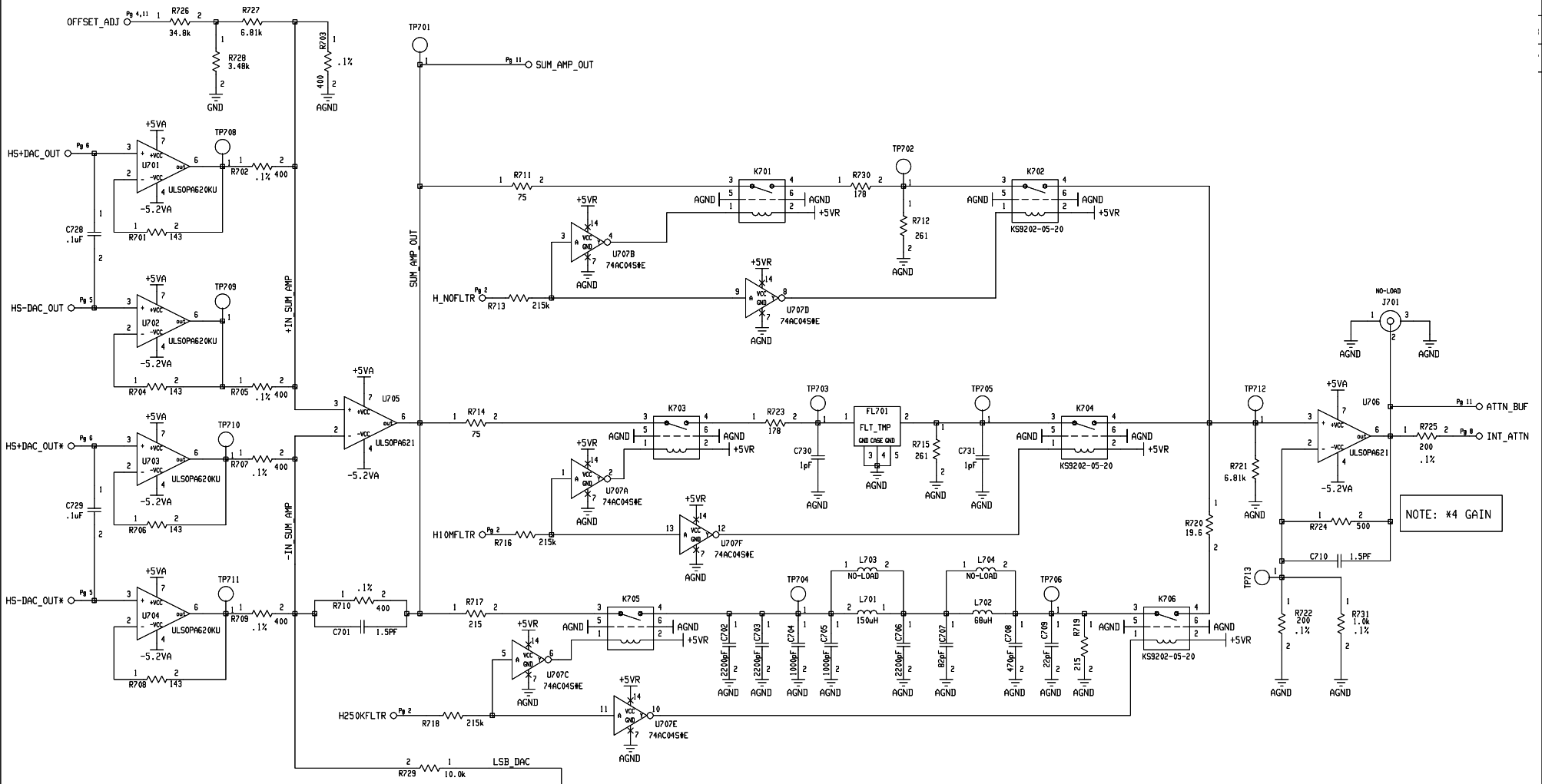
Agilent E1445A Arbitrary Waveform Generator

-DAC

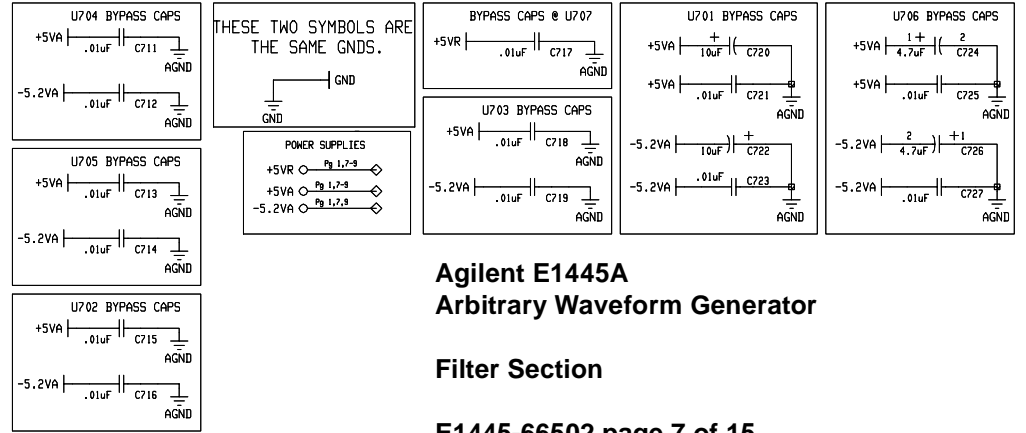
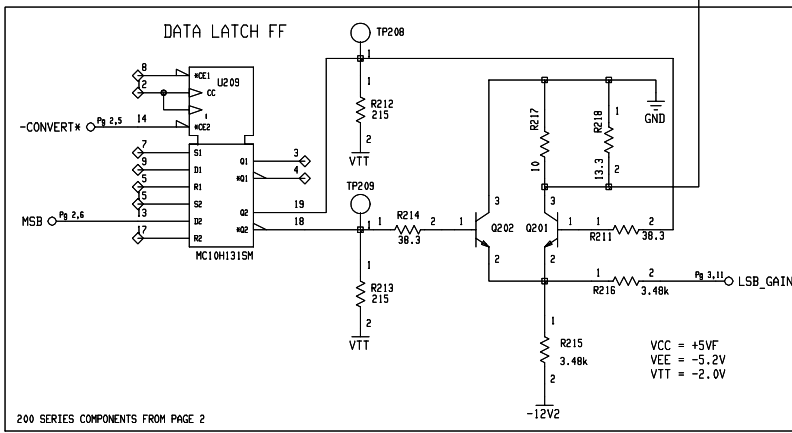


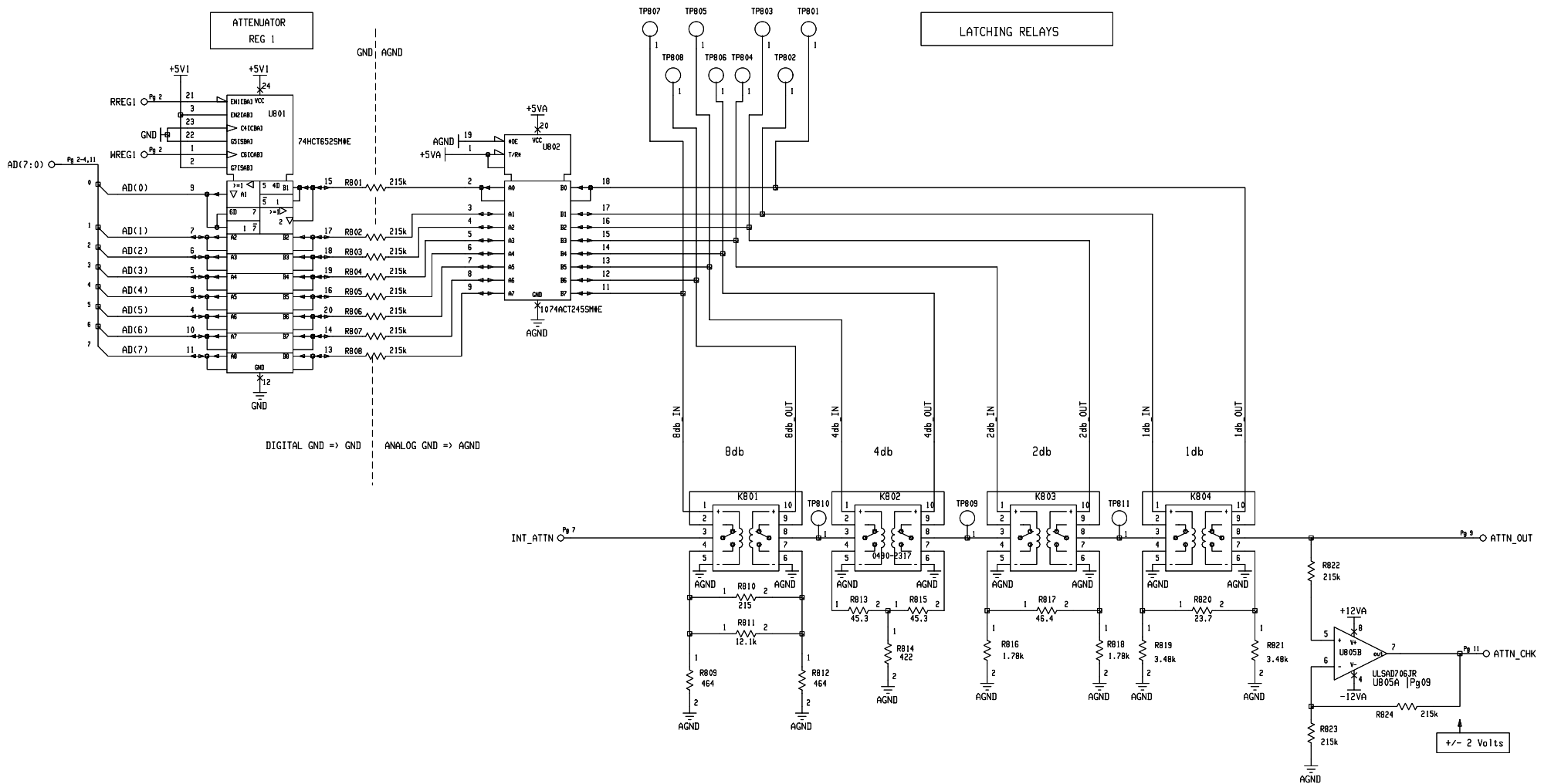
Agilent E145A Arbitrary Waveform Generator

+DAC

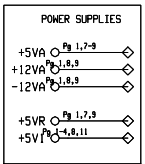
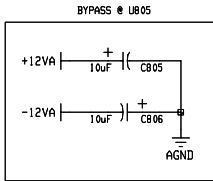
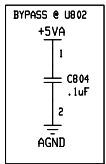
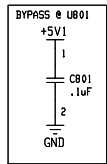


NOTE: *4 GAIN



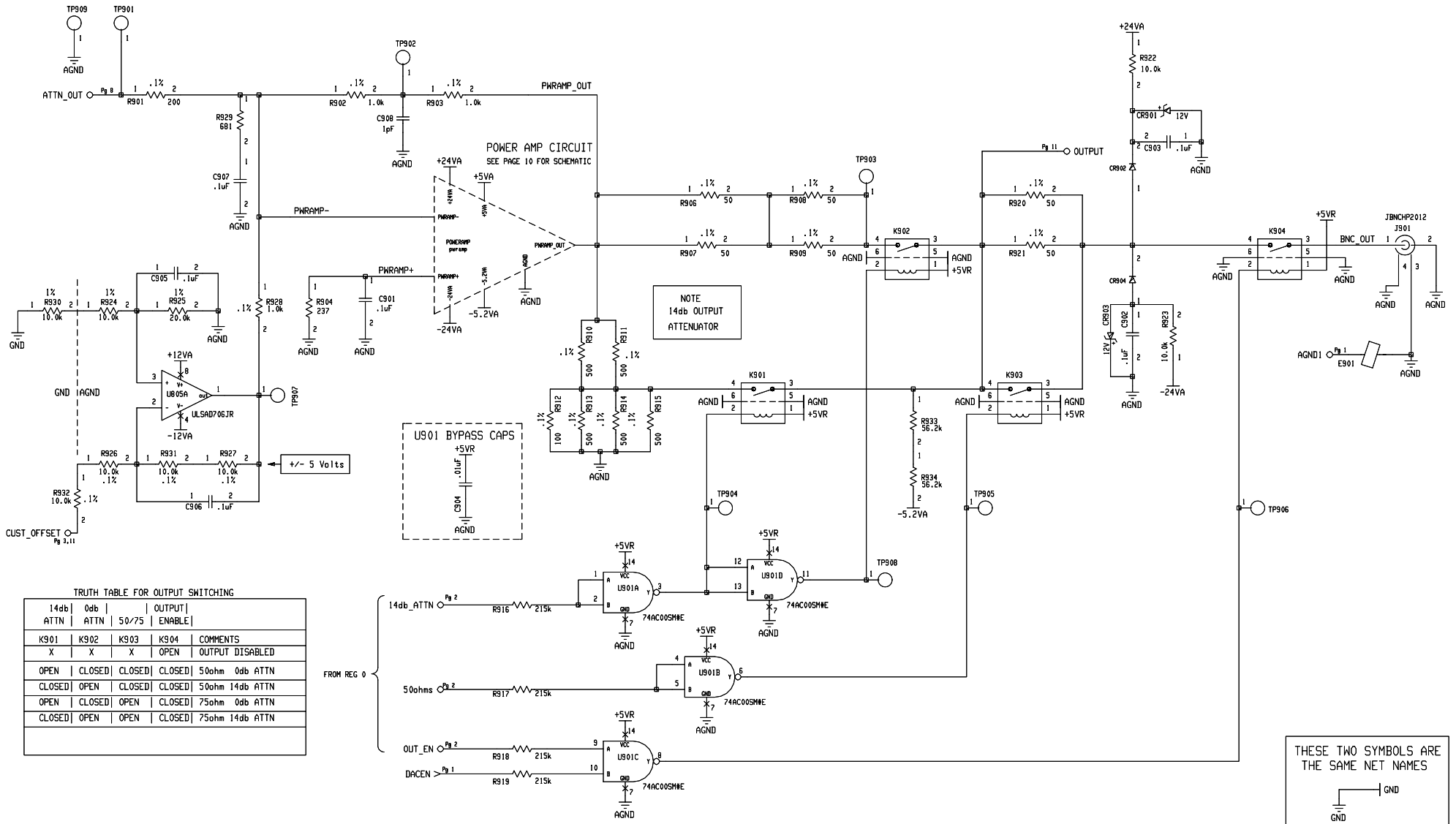


THESE TWO SYMBOLS ARE THE SAME NET NAMES



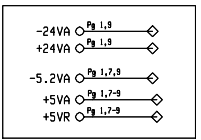
Agilent E1445A Arbitrary Waveform Generator

Attenuator



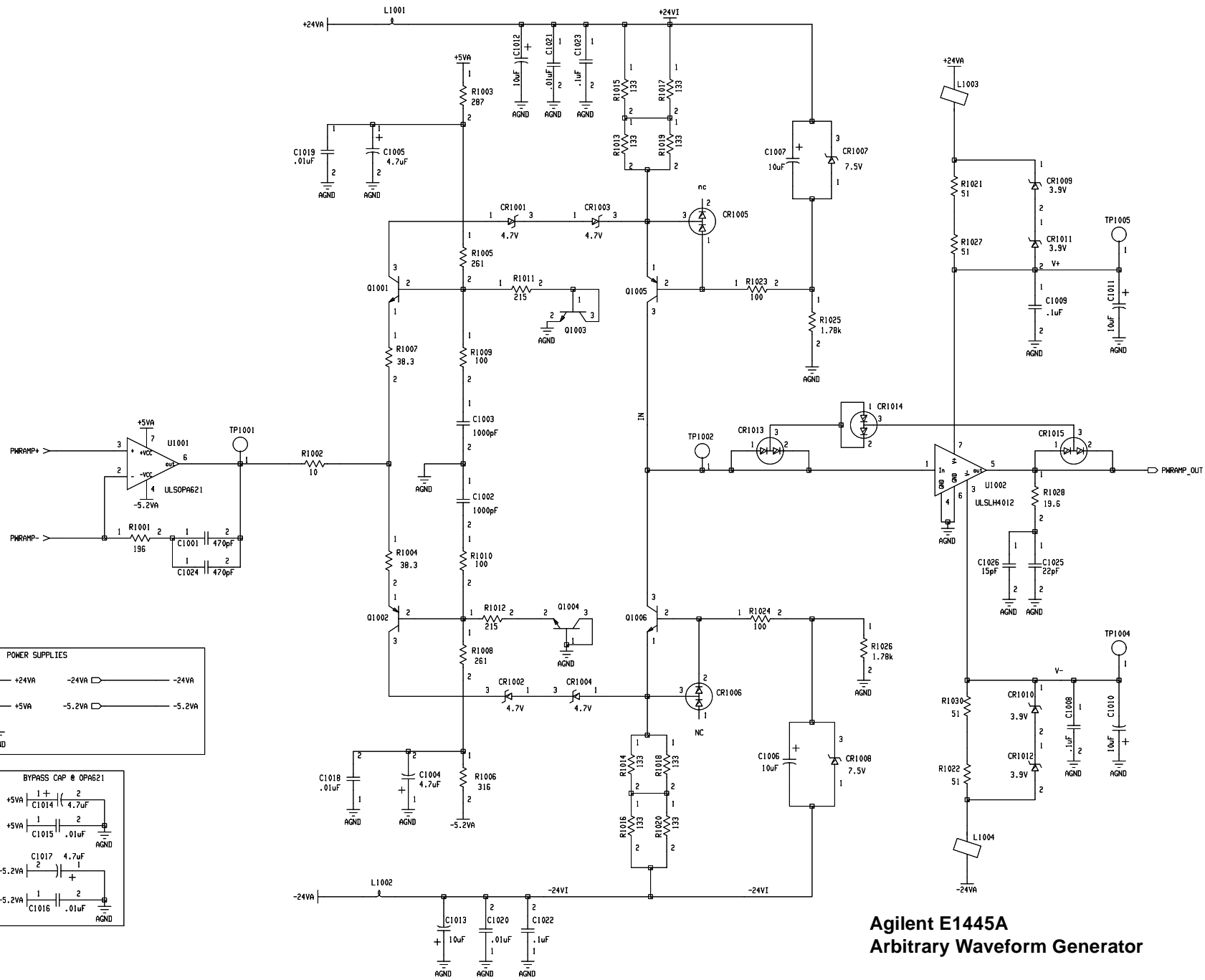
STATIC GND = ZAPGND
DIGITAL = GND
ANALOG = AGND

SPECIAL POWER SUPPLIES



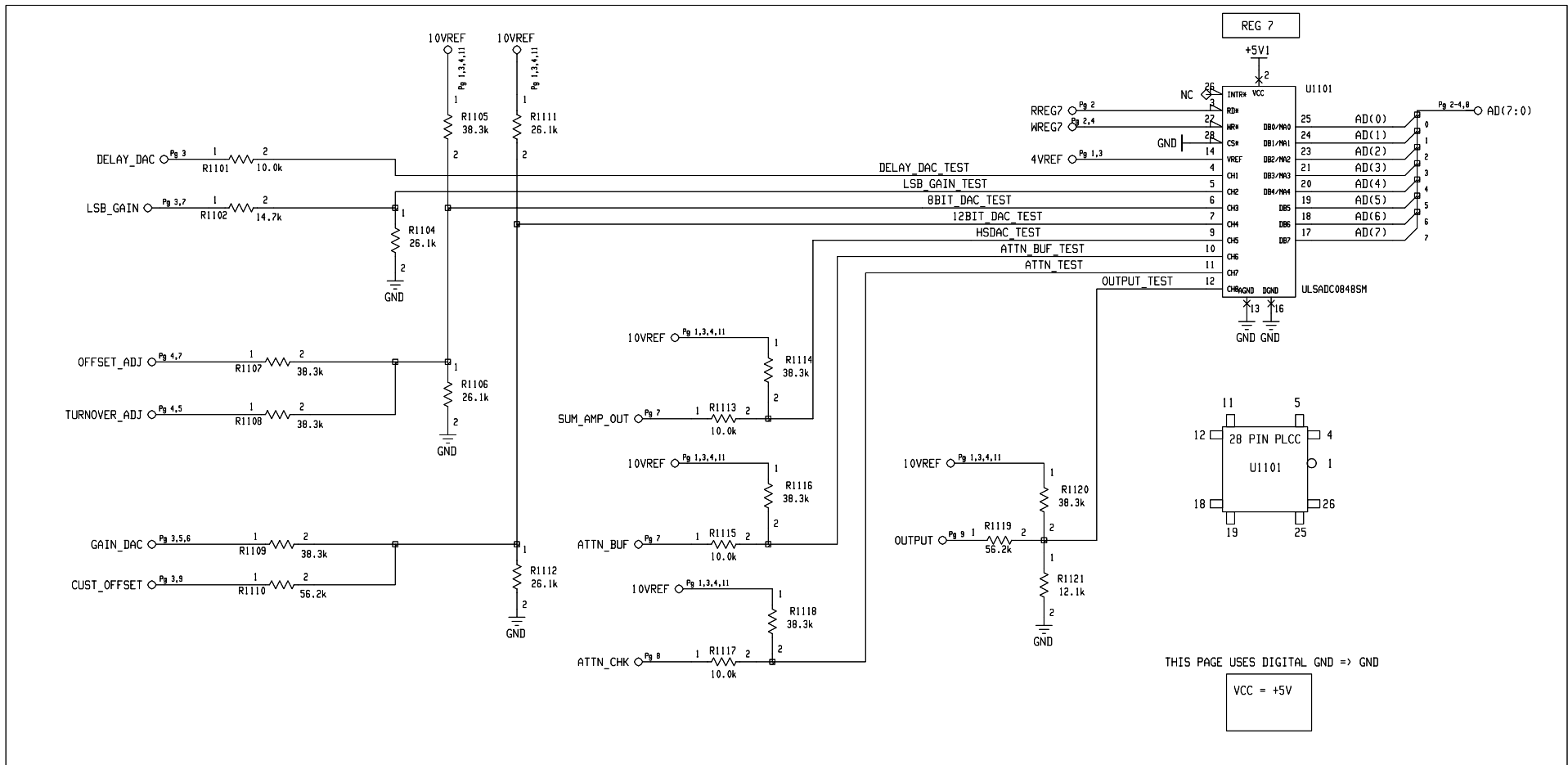
Agilent E1445A Arbitrary Waveform Generator

Analog



**Agilent E1445A
Arbitrary Waveform Generator**

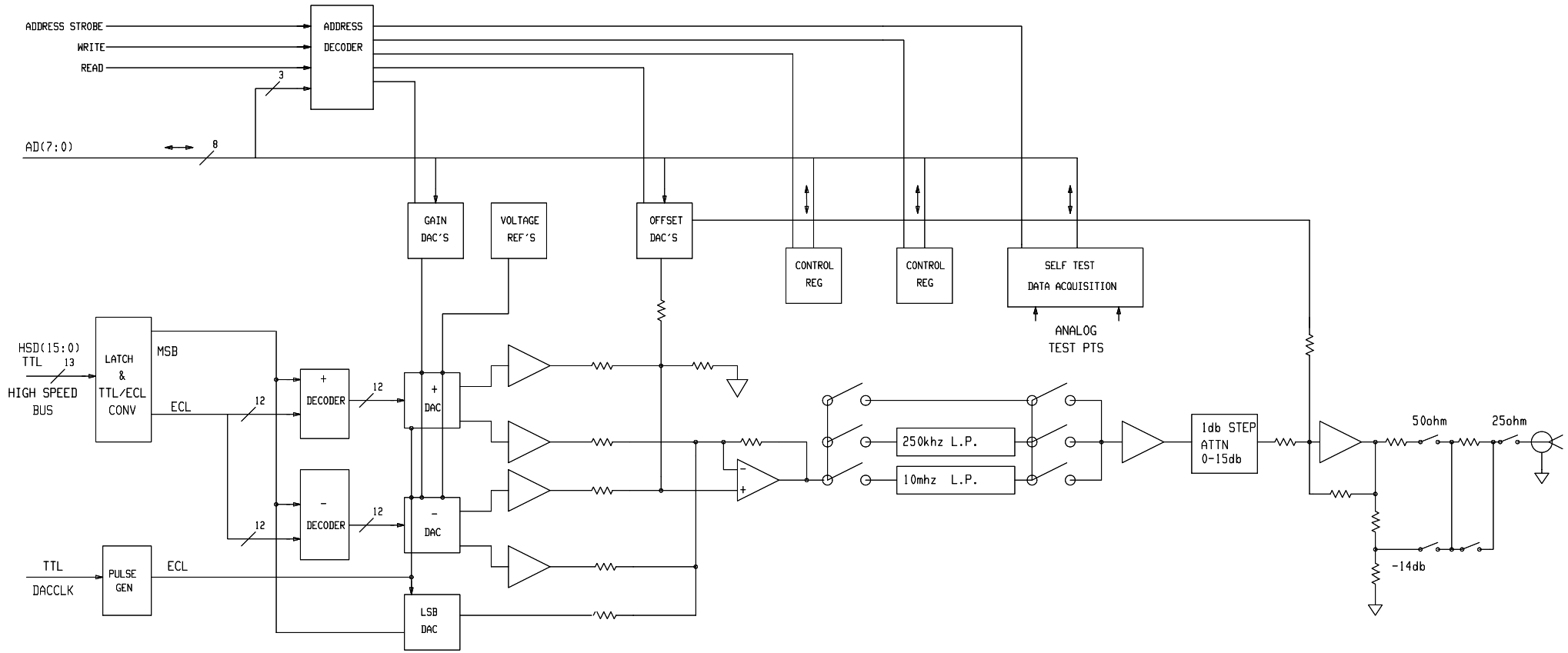
Power Amplifier



THESE TWO SYMBOLS ARE THE SAME NET NAMES

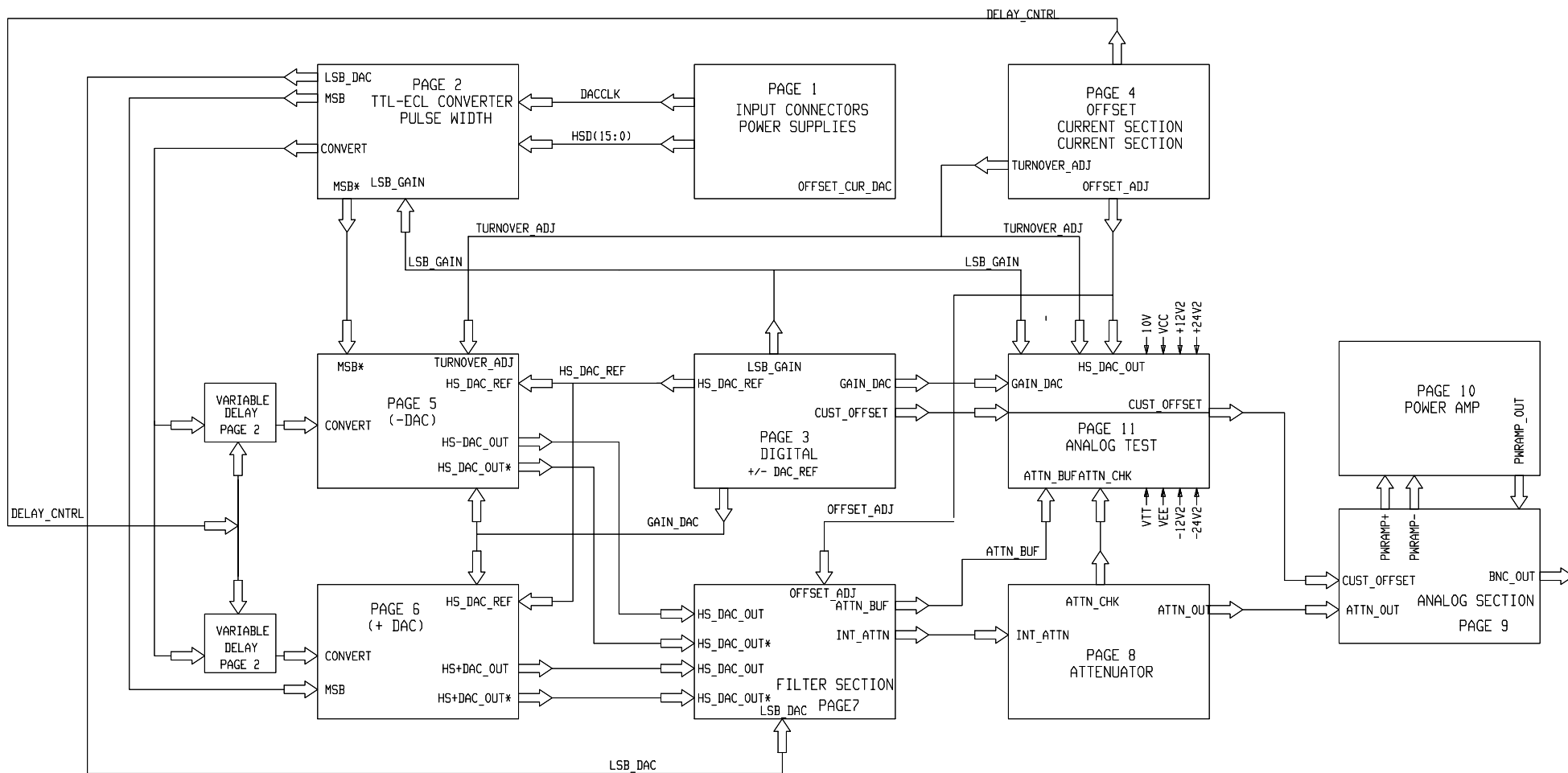
**Agilent E1445A
Arbitrary Waveform Generator**

Analog Test



**Agilent E1445A
Arbitrary Waveform Generator**

Analog Block



**Agilent E1445A
Arbitrary Waveform Generator**

Major Signal Flowchart

E501	2550	-6550	C620	600	-5500	K701	900	-3500	R401	5550	-6600	R910	1950	-100				
E502	3700	-8550	C621	625	-4825	K702	2750	-2850	R402	4150	-6200	R911	1950	0				
E601	350	-8550	C622	2325	-4825	K703	5700	-3200	R403	4150	-6300	R912	1450	100				
E602	925	-6725	C701	1525	-3825	K704	2750	-2500	R404	4150	-6000	R913	1350	100				
E901	7000	-1225	C702	1850	-3150	K705	1250	-3500	R405	6400	-5800							
FL701	575	-2675	C703	1850	-3275	K706	2750	-3200	R406	6400	-5125	R914	1350	0	T101	6375	-975	
			C704	1575	-3150	K801	4400	-2200	R407	5225	-5225	R915	1350	-100				
J101	7092	-2527.3	C705	1575	-3275	K802	5050	-2200	R408	5775	-5675	R916	2900	-4150				
J102	7092	-5937.3	C706	2125	-3275	K803	5700	-2200	R409	5875	-5375	R917	2900	-4250	TP210	6375	-5650	
J701	3800	-2200	C707	2100	-3150	K804	6350	-2200	R501	2600	-6200	R918	3000	-4050	TP211	10	5825	-4900
J901	260	-10100	C708	3125	-3450	K901	1900	-650	R502	2600	-5650	R919	3000	-3850	TP212	10	6000	-4250
JM101	7575	25	C709	3350	-3550	K902	1900	-1000	R503	3100	-5650	R920	1350	-900	TP213	10	6625	-6525
JM102	6700	-8050	C710	3650	-2500	K903	900	-1250	R504	2875	-5650	R921	1350	-700	TP214	10	5825	-8225
JM104	500	-1875	C711	2375	-4300	K904	900	-1600	R505	2600	-5750	R922	650	-50	TP215	10	4925	-5675
			C712	2025	-4725	L101	6800	25	R506	2400	-5550	R923	375	-50	TP216	10	5100	-3775
C101	6100	25	C713	1750	-3925	L102	6700	-4250	R507	3400	-5250	R924	5775	-1050	TP217	10	5100	-3775
C102	6350	-4200	C714	1475	-4325	L103	6700	-4450	R508	3175	-5425	R925	5375	-700	TP218	10	5925	-5025
C103	6350	-4450	C715	1475	-4425	L104	6700	-4450	R509	1950	-5750	R926	5775	-950	TP219	10	5375	-4825
C201	6300	-3825	C716	925	-4725	L201	5025	-8175	R510	1950	-5650	R927	5375	-375	TP220	10	5725	-3125
C202	5100	-6950	C717	3125	-3650	L202	4202	-8175	R511	2300	-5875	R928	5625	-1250	TP221	10	5300	-8275
C203	5500	-7550	C718	2025	-4575	L203	3900	-7950	R512	3700	-5550	R929	5350	-1400	TP222	10	5150	-4450
C204	5450	-7550	C719	1500	-4825	L204	4150	-7275	R513	3400	-5425	R930	5350	-2900	TP223	10	4025	-7950
C205	4150	-7600	C720	2000	-4200	L205	5025	-7825	R514	2000	-6625	R931	5375	-475	TP224	10	3975	-7675
C206	4750	-6800	C721	925	-4575	L206	5025	-7675	R515	1425	-5075	R932	4750	-2900	TP225	10	1850	-5375
C207	6225	-5950	C722	725	-4425	L501	1200	-4975	R516	2325	-6150	R933	1250	-1950	TP301	10	3525	-3975
C208	6425	-6900	C723	800	-4950	L502	1200	-4975	R517	2325	-6150	R934	2125	-2375	TP302	10	5125	-5375
C209	6225	-6050	C724	3900	-2900	L503	4225	-4975	R518	2850	-6625	R1001	3750	-1675	TP303	10	3200	-4250
C210	6425	-7000	C725	4150	-2900	L601	1375	-8875	R519	2850	-6525	R1002	5075	-1625	TP304	10	3775	-4625
C211	5250	-8175	C726	3600	-3050	L602	1750	-4975	R601	350	-6200	R1003	5075	-1650	TP305	10	5075	-5250
C212	5000	-8050	C727	3600	-2900	L701	2125	-3500	R602	350	-5650	R1004	4800	-1675	TP306	10	5525	-6000
C213	4725	-8400	C728	925	-4825	L702	2850	-3500	R603	875	-5650	R1005	3900	-1650	TP307	10	5250	-6000
C214	4725	-8500	C729	2025	-4825	L703	1900	-3500	R604	650	-5650	R1006	4500	-1775	TP308	10	4300	-4925
C215	6075	-8000	C730	725	-2950	L704	2475	-3500	R605	1175	-5450	R1007	4500	-1875	TP309	10	4075	-6550
C216	3900	-7825	C801	2125	-3000	L1001	6800	-875	R606	1175	-5550	R1008	4500	-1775	TP310	10	3875	-4275
C217	4325	-7425	C802	4250	-3100	L1002	6800	-425	R607	350	-5750	R1009	4000	-1100	TP401	10	4300	-3950
C218	5225	-7850	C803	5700	-450	L1003	6800	-650	R608	250	-5100	R1010	4775	-1100	TP402	10	2900	-4275
C219	4775	-7825	C804	4250	-450	L1004	6800	-200	R609	250	-5000	R1011	3725	-1250	TP403	10	3250	-4875
C220	4775	-7725	C901	5350	-1000	Q201	4750	-6550	R610	50	-5950	R1012	4475	-1250	TP404	10	3525	-5250
C221	4625	-7725	C902	425	-175	Q202	4450	-6550	R611	50	-5950	TP405	10	3750	-5000			
C222	3900	-7725	C903	3650	-175	Q301	4100	-5200	R612	1450	-5450	R1013	4125	-350	TP406	10	6500	-5175
C301	3625	-5950	C904	850	-1925	Q302	4100	-4575	R613	1700	-5450	R1014	4950	-250	TP501	10	3350	-7100
C302	3400	-4450	C905	5375	-800	Q1001	4075	-1375	R614	75	-6950	TP502	10	3475	-6775			
C303	3800	-5150	C906	5375	-575	Q1002	4875	-1375	R615	850	-5150	R1015	3850	-250	TP503	10	3200	-4250
C304	5400	-3900	C907	5125	-1400	Q1003	3675	-1400	R616	1750	-5150	R1016	3850	-250	TP504	10	3250	-6750
C305	4650	-4950	C908	5125	-1300	Q1004	4450	-1400	R617	50	-5950	R1017	4950	-350	TP505	10	3675	-5950
C306	4100	-4550	C1001	5975	-1500	Q1005	4125	-775	R618	50	-5950	R1018	4125	-250	TP506	10	3825	-6275
C307	4100	-4750	C1002	4575	-1150	Q1006	4925	-775	R701	825	-4425	R1019	4675	-350	TP507	10	3100	-6250
C308	4100	-4450	C1003	4200	-1150	RP501	2950	-7750	R702	1175	-4425	R1020	2225	-125	TP508	10	3500	-8225
C309	4100	-4650	C1004	4275	-1775	RP502	3650	-6100	R703	1175	-4425	R1021	2225	-125	TP509	10	3325	-8225
C310	5775	-5775	C1005	3900	-1775	RP601	1450	-6100	R704	1175	-4425	R1022	3850	-475	TP510	10	3175	-6075
C311	3100	-4850	C1006	4550	25	R101	6350	-1475	R705	1175	-4425	R1023	3850	-475	TP511	10	3025	-6075
C312	2775	-5150	C1007	3700	25	R102	6350	-1575	R706	1700	-4425	R1024	3525	-425	TP512	10	2925	-6050
C313	3400	-4350	C1008	3650	-2125	R103	6675	-3850	R707	1925	-4425	R1025	4400	-475	TP513	10	225	-7000
C314	2775	-4850	C1009	3650	-2000	R104	6075	-8100	R708	2300	-4425	R1026	2600	-325	TP514	10	6100	-7825
C401	5550	-6700	C1010	3300	-2000	R201	3375	-7900	R709	2375	-4175	R1027	2600	-325	TP515	10	6250	-7575
C402	4600	-6200	C1011	4125	25	R202	3375	-7900	R710	1525	-3925	R1028	2600	-1575	TP516	10	650	-6900
C403	4600	-5600	C1012	4975	25	R203	6350	-7900	R711	925	-4825	R1029	2750	-125	TP517	10	6175	-7200
C404	5500	-6400	C1013	4975	25	R204	6075	-7900	R712	2575	-3950	R1030	4100	-3950	TP518	10	4950	-5675
C405	6400	-4725	C1014	5975	-1250	R205	6075	-8200	R713	675	-4025	R1101	6300	-3825	TP519	10	6250	-6675
C406	6400	-4625	C1015	5975	-1400	R206	5975	-8075	R714	675	-4025	R1102	6650	-3600	TP520	10	6250	-6525
C501	2600	-5850	C1016	5375	-1600	R207	5250	-7950	R715	2125	-2500	R1103	6650	-3700	TP521	10	6250	-6575
C502	2350	-5750	C1017	5275	-1775	R208	5250	-8050	R716	2575	-3750	R1104	6650	-3700	TP522	10	5950	-6325
C503	3100	-5550	C1018	4275	-1650	R209	5550	-6800	R717	1200	-4025	R1105	4600	-5700	TP523	10	6250	-6275
C504	2100	-6250	C1019	3650	-1775	R210	3900	-8175	R718	2575	-3850	R1106	4600	-5800	TP524	10	6250	-6275
C505	2600	-6300	C1020	4675	-150	R211	4450	-6700	R719	3125	-3550	R1107	4500	-5800	TP525	10	2150	-5725
C506	2600	-6400	C1021	3850	-150	R212	4475	-7500	R720	3325	-3825	R1108	6650	-3500	TP526	10	3150	-5650
C507	2800	-5400	C1022	4125	-150	R213	4425	-7500	R721	3350	-2775	R1109	6650	-3400	TP527	10	2200	-5075
C508	2800	-5400	C1023	4125	-150	R214	4750	-6700	R722	3350	-2775	R1110	1525	-3725	TP528	10	1075	-5050
C509	3400	-5750	C1024	5975	-1600	R215	4450	-6400	R723	525	-2950	R1111	6650	-3300	TP529	10	2150	-4900
C510	3400	-5650	C1025	2625	-1675	R216	4150	-6600	R724	3650	-2400	R1112	6650	-3300	TP530	10	6250	-6300
C511	2600	-6000	C1026	4925	-150	R217	4150	-6500	R725	3900	-2450	R1113	6650	-3000	TP601	10	1400	-7200
C512	2600	-6100	C1027	4925	-150	R218	4150	-6500	R726	3900	-2450	R1114	6650	-3000	TP602	10	1525	-7100
C513	3350	-7500	C1028	5975	-1600	R219	4425	-8050	R727	2775	-5050	R1115	6650	-3100	TP603	10	1525	-7000
C514	3350	-7600	C1029	4900	-5150	R220	4425	-7625	R728	2775	-5050	R1116	6650	-3100	TP604	10	1250	-7000
C515	3700	-5750	C1030	4300	-5500	R221	4425	-7225	R729	2600	-4175	R1117	6650	-2900	TP605	10	1075	-7100
C516	3700	-5																

U1101	Pg11	TP1005	Pg10	TP509	Pg05	R1121	Pg11	R904	Pg09	R517	Pg05	R205	Pg02	CR1015	Pg10	C724	Pg07	C403	Pg04
U1002	Pg10	TP1004	Pg10	TP508	Pg05	R1120	Pg11	R903	Pg09	R516	Pg05	R204	Pg02	CR1014	Pg10	C723	Pg07	C402	Pg04
U1001	Pg10	TP1002	Pg10	TP507	Pg05	R1119	Pg11	R902	Pg09	R515	Pg05	R203	Pg02	CR1013	Pg10	C722	Pg07	C401	Pg04
U901 D	Pg09	TP1001	Pg10	TP506	Pg05	R1118	Pg11	R901	Pg09	R514	Pg05	R202	Pg02	CR1012	Pg10	C721	Pg07	C314	Pg03
U901 C	Pg09	TP909	Pg09	TP505	Pg05	R1117	Pg11	R824	Pg08	R513	Pg05	R201	Pg02	CR1011	Pg10	C720	Pg07	C313	Pg03
U901 B	Pg09	TP908	Pg09	TP504	Pg05	R1116	Pg11	R823	Pg08	R512	Pg05	R104	Pg01	CR1010	Pg10	C719	Pg07	C312	Pg03
U901 A	Pg09	TP907	Pg09	TP503	Pg05	R1115	Pg11	R822	Pg08	R511	Pg05	R102	Pg01	CR1009	Pg10	C718	Pg07	C311	Pg03
U805 B	Pg08	TP906	Pg09	TP502	Pg05	R1114	Pg11	R821	Pg08	R510	Pg05	R101	Pg01	CR1008	Pg10	C717	Pg07	C310	Pg03
U805 A	Pg08	TP905	Pg09	TP501	Pg05	R1113	Pg11	R820	Pg08	R509	Pg05	01005	Pg10	CR1007	Pg10	C716	Pg07	C309	Pg03
U802	Pg08	TP904	Pg09	TP406	Pg04	R1112	Pg11	R819	Pg08	R508	Pg05	01004	Pg10	CR1006	Pg10	C715	Pg07	C308	Pg03
U801	Pg08	TP903	Pg09	TP405	Pg04	R1111	Pg11	R818	Pg08	R507	Pg05	01003	Pg10	CR1005	Pg10	C714	Pg07	C307	Pg03
U707 F	Pg07	TP902	Pg09	TP404	Pg04	R1110	Pg11	R817	Pg08	R506	Pg05	01002	Pg10	CR1004	Pg10	C713	Pg07	C306	Pg03
U707 E	Pg07	TP901	Pg09	TP403	Pg04	R1109	Pg11	R816	Pg08	R505	Pg05	01001	Pg10	CR1003	Pg10	C712	Pg07	C305	Pg03
U707 D	Pg07	TP811	Pg08	TP402	Pg04	R1108	Pg11	R815	Pg08	R504	Pg05	0302	Pg03	CR1002	Pg10	C711	Pg07	C304	Pg03
U707 C	Pg07	TP810	Pg08	TP401	Pg04	R1107	Pg11	R814	Pg08	R503	Pg05	0301	Pg03	CR1001	Pg10	C710	Pg07	C303	Pg03
U707 B	Pg07	TP809	Pg08	TP310	Pg03	R1106	Pg11	R813	Pg08	R502	Pg05	0203	Pg02	CR904	Pg09	C709	Pg07	C302	Pg03
U707 A	Pg07	TP808	Pg08	TP309	Pg03	R1105	Pg11	R812	Pg08	R501	Pg05	0202	Pg02	CR903	Pg09	C708	Pg07	C301	Pg03
U706	Pg07	TP807	Pg08	TP308	Pg03	R1104	Pg11	R811	Pg08	R409	Pg04	0201	Pg02	CR902	Pg09	C707	Pg07	C223	Pg02
U705	Pg07	TP806	Pg08	TP307	Pg03	R1102	Pg11	R810	Pg08	R408	Pg04	0201	Pg02	CR901	Pg09	C706	Pg07	C222	Pg02
U704	Pg07	TP805	Pg08	TP306	Pg03	R1101	Pg11	R809	Pg08	R407	Pg04	L1004	Pg10	CR805	Pg06	C705	Pg07	C221	Pg02
U703	Pg07	TP804	Pg08	TP305	Pg03	R1030	Pg10	R808	Pg08	R406	Pg04	L1003	Pg10	CR804	Pg06	C704	Pg07	C220	Pg02
U702	Pg07	TP803	Pg08	TP304	Pg03	R1028	Pg10	R807	Pg08	R405	Pg04	L1002	Pg10	CR803	Pg06	C703	Pg07	C219	Pg02
U701	Pg07	TP802	Pg08	TP303	Pg03	R1027	Pg10	R806	Pg08	R404	Pg04	L1001	Pg10	CR802	Pg06	C702	Pg07	C218	Pg02
U606 B	Pg06	TP801	Pg08	TP302	Pg03	R1026	Pg10	R805	Pg08	R403	Pg04	L704	Pg07	CR601	Pg06	C701	Pg07	C217	Pg02
U606 A	Pg06	TP713	Pg07	TP301	Pg03	R1025	Pg10	R804	Pg08	R402	Pg04	L703	Pg07	CR505	Pg05	C622	Pg06	C216	Pg02
U603	Pg06	TP712	Pg07	TP225	Pg02	R1024	Pg10	R803	Pg08	R401	Pg04	L702	Pg07	CR504	Pg05	C621	Pg06	C215	Pg02
U602	Pg06	TP711	Pg07	TP224	Pg02	R1023	Pg10	R802	Pg08	R327	Pg03	L602	Pg06	CR503	Pg05	C620	Pg06	C214	Pg02
U601	Pg06	TP710	Pg07	TP223	Pg02	R1022	Pg10	R801	Pg08	R326	Pg03	L601	Pg06	CR502	Pg05	C619	Pg06	C213	Pg02
U506 B	Pg05	TP709	Pg07	TP222	Pg02	R1021	Pg10	R731	Pg07	R325	Pg03	L502	Pg05	CR501	Pg05	C618	Pg06	C212	Pg02
U506 A	Pg05	TP708	Pg07	TP221	Pg02	R1020	Pg10	R730	Pg07	R324	Pg03	L501	Pg05	CR401	Pg04	C617	Pg06	C211	Pg02
U505	Pg05	TP707	Pg07	TP220	Pg02	R1019	Pg10	R729	Pg07	R323	Pg03	L206	Pg02	CR301	Pg03	C616	Pg06	C210	Pg02
U503	Pg05	TP706	Pg07	TP219	Pg02	R1018	Pg10	R728	Pg07	R319	Pg03	L205	Pg02	CR202	Pg02	C615	Pg06	C209	Pg02
U502	Pg05	TP705	Pg07	TP218	Pg02	R1017	Pg10	R727	Pg07	R318	Pg03	L204	Pg02	CR201	Pg02	C614	Pg06	C208	Pg02
U501	Pg05	TP704	Pg07	TP217	Pg02	R1016	Pg10	R726	Pg07	R317	Pg03	L203	Pg02	C1026	Pg10	C613	Pg06	C207	Pg02
U406 B	Pg04	TP703	Pg07	TP216	Pg02	R1015	Pg10	R725	Pg07	R316	Pg03	L202	Pg02	C1025	Pg10	C612	Pg06	C206	Pg02
U406 A	Pg04	TP701	Pg07	TP214	Pg02	R1014	Pg10	R724	Pg07	R315	Pg03	L201	Pg02	C1024	Pg10	C611	Pg06	C205	Pg02
U405	Pg04	TP619	Pg06	TP213	Pg02	R1013	Pg10	R723	Pg07	R314	Pg03	L105	Pg01	C1023	Pg10	C610	Pg06	C204	Pg02
U404 B	Pg04	TP618	Pg06	TP212	Pg02	R1012	Pg10	R722	Pg07	R312	Pg03	L103	Pg01	C1016	Pg10	C609	Pg06	C203	Pg02
U404 A	Pg04	TP617	Pg06	TP211	Pg02	R1011	Pg10	R721	Pg07	R311	Pg03	L102	Pg01	C1015	Pg10	C608	Pg06	C202	Pg02
U403 B	Pg04	TP616	Pg06	TP210	Pg02	R1010	Pg10	R720	Pg07	R309	Pg03	L101	Pg01	C1014	Pg10	C607	Pg06	C201	Pg02
U403 A	Pg04	TP615	Pg06	TP209	Pg02	R1009	Pg10	R719	Pg07	R307	Pg03	K904	Pg09	C1013	Pg10	C606	Pg06	C103	Pg01
U402	Pg04	TP614	Pg06	TP208	Pg02	R1008	Pg10	R718	Pg07	R306	Pg03	K903	Pg09	C1012	Pg10	C605	Pg06	C102	Pg01
U401 D	Pg04	TP613	Pg06	TP206	Pg02	R1007	Pg10	R717	Pg07	R305	Pg03	K902	Pg09	C1012	Pg10	C604	Pg06	C101	Pg01
U401 C	Pg04	TP612	Pg06	TP205	Pg02	R1006	Pg10	R716	Pg07	R304	Pg03	K901	Pg09	C1011	Pg10	C603	Pg06		
U401 B	Pg04	TP611	Pg06	TP204	Pg02	R1005	Pg10	R715	Pg07	R303	Pg03	K804	Pg08	C1010	Pg10	C602	Pg06	C1022	Pg10
U401 A	Pg04	TP610	Pg06	TP203	Pg02	R1004	Pg10	R714	Pg07	R301	Pg03	K803	Pg08	C1009	Pg10	C601	Pg06	C1021	Pg10
U308	Pg03	TP609	Pg06	TP202	Pg02	R1003	Pg10	R713	Pg07	R231	Pg02	K802	Pg08	C1008	Pg10	C524	Pg05	C1020	Pg10
U307 B	Pg03	TP608	Pg06	TP201	Pg02	R1002	Pg10	R712	Pg07	R229	Pg02	K801	Pg08	C1007	Pg10	C523	Pg05	C1019	Pg10
U307 A	Pg03	TP607	Pg06	TP112	Pg01	R1001	Pg10	R711	Pg07	R228	Pg02	K706	Pg07	C1006	Pg10	C522	Pg05	C1018	Pg10
U306 B	Pg03	TP606	Pg06	TP111	Pg01	R934	Pg09	R710	Pg07	R227	Pg02	K705	Pg07	C1005	Pg10	C521	Pg05	C1017	Pg10
U306 A	Pg03	TP605	Pg06	TP110	Pg01	R933	Pg09	R709	Pg07	R226	Pg02	K704	Pg07	C1004	Pg10	C520	Pg05		
U305	Pg03	TP604	Pg06	TP109	Pg01	R932	Pg09	R708	Pg07	R225	Pg02	K703	Pg07	C1003	Pg10	C519	Pg05		
U304 B	Pg03	TP603	Pg06	TP108	Pg01	R931	Pg09	R707	Pg07	R224	Pg02	K702	Pg07	C1002	Pg10	C518	Pg05		
U304 A	Pg03	TP602	Pg06	TP107	Pg01	R930	Pg09	R706	Pg07	R223	Pg02	K701	Pg07	C1001	Pg10	C517	Pg05		
U303 B	Pg03	TP601	Pg06	TP106	Pg01	R929	Pg09	R705	Pg07	R222	Pg02	JM104	Pg01	C908	Pg09	C516	Pg05		
U303 A	Pg03	TP531	Pg05	TP105	Pg01	R928	Pg09	R704	Pg07	R221	Pg02	JM103	Pg01	C907	Pg09	C515	Pg05		
U302	Pg03	TP530	Pg05	TP104	Pg01	R927	Pg09	R703	Pg07	R220	Pg02	JM102	Pg01	C906	Pg09	C514	Pg05		
U301	Pg03	TP529	Pg05	TP103	Pg01	R926	Pg09	R702	Pg07	R219	Pg02	JM101	Pg01	C905	Pg09	C513	Pg05		
U210 C	Pg02	TP528	Pg05	TP102	Pg01	R925	Pg09	R701	Pg07	R218	Pg02	901	Pg09	C904	Pg09	C512	Pg05		
U210 B	Pg02	TP527	Pg05	TP101	Pg01	R924	Pg09	R617	Pg06	R217	Pg02	901	Pg07	C903	Pg09	C511	Pg05		
U210 A	Pg02	TP526	Pg05	T101	Pg01	R923	Pg09	R616	Pg06	R216	Pg02	901	Pg07	C902	Pg09	C510	Pg05		
U209	Pg02	TP525	Pg05			R922	Pg09	R615	Pg06	R215	Pg02	901	Pg07	C901	Pg09	C509	Pg05		
U208 B	Pg02	TP524	Pg05			R921	Pg09	R614	Pg06	R214	Pg02	806	Pg08	C805	Pg08	C508	Pg05		
U208 A	Pg02	TP523	Pg05			R920	Pg09	R613	Pg06	R213	Pg02	805	Pg08	C804	Pg08	C507	Pg05		
U207 C	Pg02	TP522	Pg05			R919	Pg09	R612	Pg06	R212	Pg02	804	Pg08	C803	Pg08	C506	Pg05		
U207 B	Pg02	TP521	Pg05			R918	Pg09	R611	Pg06	R211	Pg02	803	Pg08	C802	Pg08	C505	Pg05		
U207 A	Pg02	TP520	Pg05			R917	Pg09	R610	Pg06	R210	Pg02	802	Pg08	C730	Pg07	C504	Pg05		
U206 D	Pg02	TP519	Pg05			R916	Pg09	R609	Pg06	R209	Pg02	801	Pg08	C729	Pg07	C503	Pg05		
U206 C	Pg02	TP518	Pg05			R915	Pg09	R608	Pg06	R208	Pg02	800	Pg08	C728	Pg07	C502	Pg05		
U206 B	Pg02	TP517	Pg05			R914	Pg09	R607	Pg06	R207	Pg02	706	Pg06	C727	Pg07	C501	Pg05		
U206 A	Pg02	TP516	Pg05			R913	Pg09	R606	Pg06	R206	Pg02	705	Pg06	C726	Pg07	C406	Pg04		
U205	Pg02	TP515	Pg05			R912	Pg09	R605	Pg06	R205	Pg02	704	Pg06	C725	Pg07	C405	Pg04		
U204	Pg02	TP514	Pg05			R911	Pg09	R604	Pg06	R204	Pg02	703	Pg06	C724	Pg07	C404	Pg04		
U203	Pg02	TP513	Pg05	RP602	Pg06	R910	Pg09	R603	Pg06	R203	Pg02	702	Pg06	C723	Pg07				Pg 1 - CONN/PHRSUPPLIES
U202	Pg02																		

E1445-66502 Parts List

Reference Designator	Qty	Agilent Part Number	Description	MPN	Manufacturer
BAG1	1	9222-1440	POUCH-STAT-DISS-CNDCT PE	9222-1440 PACK 66	MAINE POLY SPECIALTY ENTERPRISES
C1001, C1024, C401, C708	4	0160-6096	CAP-FXD 470pF +-5pct 50 V CER COG	12065A471JAT A C1206C471J5GAC C3216COG1H471J GRM3165C1H471JD01D	AVX KEMET ELECTRONICS TDK MURATA MANUFACTURING
C1002, C1003, C704, C705	4	0160-6100	CAP-FXD 1000pF +-5pct 50 V CER COG	12065A102JAT A C1206C102J5GAC C3216CH1H102J GRM3195C1H102JD01D	AVX KEMET ELECTRONICS TDK MURATA MANUFACTURING
C1004, C1005, C1014, C1017, C724, C726	6	0180-3744	CAP-FXD 4.7uF +-20PCT 10V TA	TAJB475M010 293D475X0010B2E3 ESVB21A475M SK-1A475M-RB T491B475M010AS	AVX VISHAY NEC ELECTRONICS ELNA KEMET ELECTRONICS
C1006, C1007, C101, C1010-C1013, C102, C103, C720, C722, C805, C806	13	0180-4287	CAP-FXD 10uF +-20PCT 35V TA	TAJD106M035 293D106X0035D2WE3 ESVD1V106M	AVX VISHAY NEC ELECTRONICS
C1008, C1009, C1022, C1023, C201, C203, C215, C301, C303-C314, C402- C406, C501-C504, C506, C508, C510, C512, C513, C515, C521, C522, C601- C604, C606, C608, C610, C612, C613, C615, C617, C619, C620, C728, C729, C801, C804, C901-C903, C905-C907	60	0160-6497	CAP-FXD 0.1uF +-10pct 50 V CER X7R	12065C104KAT A 2238 581 15649 C1206C104K5RAC C3216X7R1H104KT GRM319R71H104KA01D VJ1206Y104KXAMT	AVX YAGEO KEMET ELECTRONICS TDK MURATA MANUFACTURING VISHAY
C1015, C1016, C1018- C1021, C202, C204-C210, C216, C217, C222, C223, C505, C507, C509, C511, C514, C516-C520, C605, C607, C609, C611, C614, C616, C618, C711-C719, C721, C723, C725, C727, C904	49	0160-6736	CAP-FXD 0.01uF +-10pct 50 V CER X7R	12065C103KAT A C1206C103K5RAC C3216X7R1H103K GRM316R71H103KD01D VJ1206Y103KXAMT	AVX KEMET ELECTRONICS TDK MURATA MANUFACTURING VISHAY

E1445-66502 Parts List

Reference Designator	Qty	Agilent Part Number	Description	MPN	Manufacturer
C1025, C214, C221, C709	4	0160-5961	CAP-FXD 22pF +-5pct 50 V CER C0G	08055A220JAT A C0805C220J5GAC C2012COG1H220J GRM2165C1H220JD01D VJ0805A220JXAMT	AVX KEMET ELECTRONICS TDK MURATA MANUFACTURING VISHAY
C1026, C212, C213, C219, C220, C523, C524, C621, C622	9	0160-5962	CAP-FXD 15pF +-5pct 50 V CER C0G	08055A150JAT A C0805C150J5GAC C2012COG1H150J GRM2165C1H150JD01D	AVX KEMET ELECTRONICS TDK MURATA MANUFACTURING
C211, C218, C730, C731, C908	5	0160-5942	CAP-FXD 1pF +-0.25pF 50 V CER C0G 2012	08051A1R0CAT A C0805C109C5GAC C2012C0G1H010C GRM2165C1H1R0CD01D	AVX KEMET ELECTRONICS TDK MURATA MANUFACTURING
C302, C707	2	0160-5968	CAP-FXD 82pF +-5pct 50 V CER C0G	08051A820JAT A C0805C820J5GAC C2012COG1H820J GRM2165C1H820JD01D	AVX KEMET ELECTRONICS TDK MURATA MANUFACTURING
C701, C710	2	0160-5979	CAP-FXD 1.5pF +-16.67pct 50 V CER C0G	08055A1R5CAT A C0805C159C5GAC C2012COG1H1R5C GRM2165C1H1R5CD01D GRM40-001COG1R5C050	AVX KEMET ELECTRONICS TDK MURATA MANUFACTURING N TOOL AND DIE
C702, C703, C706	3	0160-6104	CAP-FXD 2200pF +-5pct 50 V CER C0G	12065A222JATRA C1206C222J5GAC C3216C0G1H222J GRM3195C1H222JD01D	AVX KEMET ELECTRONICS TDK MURATA MANUFACTURING
CR1001-CR1004	4	1902-1565	DIODE-ZNR 4.7V 5pct TO-236 (SOT-23)	BZX84-C4V7 BZX84C4V7LT1G BZX84-C4V7	PHILIPS ON SEMICONDUCTOR NXP
CR1005, CR1006, CR1013-CR1015, CR501-CR505, CR601-CR605	15	1906-0291	DIODE-DUAL 70V 100MA T0-236AA	BAV99 BAV99 BAV99LT1G BAV99____X_ BAV99	PHILIPS FAIRCHILD SEMICONDUCTOR ON SEMICONDUCTOR INFINEON TECHNOLOGIES NXP

E1445-66502 Parts List

Reference Designator	Qty	Agilent Part Number	Description	MPN	Manufacturer
CR1007, CR1008	2	1902-1512	DIODE-ZNR 7.5V 5pct TO-236 (SOT-23)	BZX84C7V5LT1G BZX84C7V5 BZX84C7V5	ON SEMICONDUCTOR PHILIPS NXP
CR1009, CR1010, CR1011, CR1012	4	1902-1603	DIODE-ZNR 3.9V 5pct PD=1.5W IR=25UA	1SMB5915B__G	ON SEMICONDUCTOR
CR201, CR202	2	0122-0172	DIODE-VVC 29PF 10pct C 3/C25-MIN=5	BBY40 MMBV109LT1G BBY40	PHILIPS ON SEMICONDUCTOR NXP
CR301, CR401	2	1902-1544	DIODE-ZNR 10V 5PCT TO-236(SOT-23) PD-.35	BZX84C10 BZX84C10LT1G BZX84C10	PHILIPS ON SEMICONDUCTOR NXP
CR901, CR903	2	1901-1339	DIODE-V-SUPPR DO-214AB	SMCJ12-E3/57T	VISHAY
CR902, CR904	2	5185-8472	Lifetime buy for 1901-1386		
CR902, CR904a	1	1901-1386	DIODE-SWITCHING 100V 1A	BAS78B	OSRAM
E501, E502, E601, E602, E901, L1003, L1004	7	9170-1421	CORE-SHIELDING BEAD IMAx 1500MA	MI1210K600R-10	STEWART
FL701	1	9135-0455	FILTER-LOW PASS PC PIN-TERMS	2045	KR ELECTRONICS
HSQ1005, HSQ1006	2	1205-1295	HEAT SINK TO-5/TO-39-CS ; HEAT SINK ; FOR	1205-1295 TXBF-032-025B	INTL ELECTRONIC RESEARCH CTS
J101, J102	2	1252-4572	CONN-POST TYPE .050-PIN-SPCG-MTG-END	5-104550-8	TYCO ELECTRONICS AMP
J901	1	1250-2012	CONNECTOR-RF BNC FEMALE PC-W-STDFS	5227676-1	TYCO ELECTRONICS AMP
K701-K706, K901-K904	10	0490-1775	RELAY-REED 1A 1A 200VDC 5VDC-COIL	9200-0055	COTO WABASH
K801, K802, K803, K804	4	0490-2317	RELAY 2C 5VDC-COIL 1A 110VDC	TQ2SA-L2-5V	MATSUSHITA
L1001, L1002, L102, L103, L105	5	9170-1431	CORE-SHIELDING BEAD	HF50ACB-453215	TDK
L101	1	9140-1113	INDUCTOR 10uH +-5pct 3.4W-mmX4.8LG-mm	SMRF1812-102J	GOWANDA ELECTRONICS
L201, L205	2	9140-1098	INDUCTOR 150nH +-5pct 2.8W-mmX3.4LG-mm	NLV32T-R15J -PF KL32T__R15J	TDK KOA
L202, L206	2	9140-1100	INDUCTOR 330nH +-5pct 2.8W-mmX3.4LG-mm	NLV32T-R33J-PF KL32T__R33J	TDK KOA
L203, R206, R817	3	0699-1360	RESISTOR 46.4 +-1pct .125W TKF TC=0+-100	CRCW120646R4FKE_ RK73H2BT_46R4F MCR18__F46R4 232272464649	VISHAY KOA ROHM YAGEO
L204, L501, L502, L601, L602	5	9140-1206	INDUCTOR 100nH +-5pct 2.8W-mmX3.4LG-mm	NLV32T-R10J-PF KL32T__R10J	TDK KOA

E1445-66502 Parts List

Reference Designator	Qty	Agilent Part Number	Description	MPN	Manufacturer
L701	1	9100-1639	INDUCTOR RF-CH-MLD 150uH +-5pct	1537-84 15M153J IM-4 150UH 5%	AMERICAN PRECISION INDUSTRIES GOWANDA ELECTRONICS VISHAY
L702	1	9100-1633	INDUCTOR RF-CH-MLD 68uH +-5pct	1537-68 15M682J IM-4 68UH 5%	AMERICAN PRECISION INDUSTRIES GOWANDA ELECTRONICS VISHAY
LBL1	1	9320-6241	LBL-PG-PTR; .625-IN-WD X .25-IN-LG	9320-6241	BRADY
LBL2	1	7121-0850	LABEL-ANTISTATIC 1.81-IN-WD 2.5-IN-LG	7101 7101 7121-0850	R S HUGHES 3M GM NAMEPLATE
LBL3	1	7121-5729	LBL-LNE-PTR; 1.5-IN-WD X .25-IN-LG	THT-45-457-10	BRADY
MP1	1	0380-1958	STANDOFF-HEX 6-MM-LG M3.0 X 0.5-THD	BR5172-06-35	LYN-TRON
MP2	1	0590-1445	THREADED INSERT-NUT M3 X 0.5 1.5-MM-LG	CKF2-M3-ET KF2-M3-ET	CAPTIVE FASTENER PENN ENGINEERING & MFG
PCB1	1	E1445-26502	PC BLNK SMT	E1445-26502	SANMINA-SCI
Q1001, Q1006	2	5961-3088	LTB OF 1854-1114		
Q1001, Q1006a	1	1854-1114	TRANSISTOR NPN SI TO-39 PD 3.5W FT 1GHZ		
Q1002, Q1005	2	5065-6691	LTB FOR E1445-66502		
Q1002, Q1005a	1	1853-0625	TRANSISTOR PNP SI TO-39 PD=3.5W FT=1GH	MRF545	MICROSEMI
Q1003, Q1004, Q302	3	1854-1037	TRANSISTOR NPN SI TO-236AA PD=350MW	MMBT3904 SST3904T116 MMBT3904LT1G	FAIRCHILD SEMICONDUCTOR ROHM ON SEMICONDUCTOR
Q201, Q202	2	1854-1148	TRANSISTOR NPN SI SOT-23 (TO-236AB)	MMBTH10 MMBTH10LT1G	FAIRCHILD SEMICONDUCTOR ON SEMICONDUCTOR
Q203	1	1855-0734	TRANSISTOR MOSFET 2N7002 N-CHAN E-MO	2N7002-T1-E3 2N7002 2N7002 SN7002N____X_ 2N7002	VISHAY FAIRCHILD SEMICONDUCTOR PHILIPS INFINEON TECHNOLOGIES NXP
Q301	1	1853-0567	TRANSISTOR PNP SI SOT-23 (TO-236AB)	MMBT3906 SST3906T116 MMBT3906LT1G	FAIRCHILD SEMICONDUCTOR ROHM ON SEMICONDUCTOR

E1445-66502 Parts List

Reference Designator	Qty	Agilent Part Number	Description	MPN	Manufacturer
R1001	1	0699-1422	RESISTOR 196 +-1pct .125W TKF TC=0+-100	CRCW1206196RFKE_ RK73H2BT_1960F MCR18__F1960 232272461961L	VISHAY KOA ROHM YAGEO
R1002, R217, R228, R229, R230, R231, R408, R502, R505, R602, R607	11	0699-1344	RESISTOR 10 +-1pct .125W TKF TC=0+-100	CRCW120610R0FKE_ RK73H2BT_10R0F MCR18__F10R0 232272461009L	VISHAY KOA ROHM YAGEO
R1003	1	0699-1426	RESISTOR 287 +-1pct .125W TKF TC=0+-100	CRCW1206287RFKE_ RK73H2BT_2870F MCR18__F2870 232272462871	VISHAY KOA ROHM YAGEO
R1004, R1007, R104, R211, R214	5	0699-1358	RESISTOR 38.3 +-1pct .125W TKF TC=0+-100	CRCW120638R3FKE_ RK73H2BT_38R3F MCR18__F38R3 232272463839	VISHAY KOA ROHM YAGEO
R1005, R1008, R712, R715	4	0699-1425	RESISTOR 261 +-1pct .125W TKF TC=0+-100	CRCW1206261RFKE_ RK73H2BT_2610F MCR18__F2610 232272462611L	VISHAY KOA ROHM YAGEO
R1006	1	0699-1427	RESISTOR 316 +-1pct .125W TKF TC=0+-100	CRCW1206316RFKE_ RK73H2BT_3160F MCR18__F3160 232272463161	VISHAY KOA ROHM YAGEO
R1009, R1010, R1023, R1024, R203, R221	6	0699-1415	RESISTOR 100 +-1pct .125W TKF TC=0+-100	CRCW1206100RFKE_ RK73H2BT_1000F MCR18__F1000 232272461001L	VISHAY KOA ROHM YAGEO
R101, R1011, R1012, R102, R212, R213, R301, R322, R717, R719, R810	11	0699-1423	RESISTOR 215 +-1pct .125W TKF TC=0+-100	CRCW1206215RFKE_ RK73H2BT_2150F MCR18__F2150 232272462151L	VISHAY KOA ROHM YAGEO

E1445-66502 Parts List

Reference Designator	Qty	Agilent Part Number	Description	MPN	Manufacturer
R1013, R1014, R1015, R1016, R1017, R1018, R1019, R1020	8	0699-1418	RESISTOR 133 +-1pct .125W TKF TC=0+-100	CRCW1206133RFKE_ RK73H2BT_1330F MCR18__F1330 232272461331	VISHAY KOA ROHM YAGEO
R1021, R1022, R1027, R1030	4	0699-2859	RES-FXD 51 OHM +-5PCT 1W TC 0+-200	CRCW251251R0JNE_ RK73B3AT__510J MCR100__J510	VISHAY KOA ROHM
R1025, R1026, R816, R818	4	0699-1374	RESISTOR 1.78K +-1pct .125W TKF TC=0+-100	CRCW12061K78FKE_ RK73H2BT_1781F MCR18__F1781 232272461782L	VISHAY KOA ROHM YAGEO
R1028, R720	2	0699-1351	RESISTOR 19.6 +-1pct .125W TKF TC=0+-100	CRCW120619R6FKE_ RK73H2BT_19R6F MCR18__F19R6	VISHAY KOA ROHM
R1101, R1113, R1115, R1117, R224, R225, R226, R227, R311, R327, R404, R405, R501, R509, R510, R601, R608, R609, R729, R922, R923, R924, R930	23	0699-1391	RESISTOR 10K +-1pct .125W TKF TC=0+-100	CRCW120610K0FKE_ RK73H2BT_1002F MCR18__F1002 232272461003L	VISHAY KOA ROHM YAGEO
R1102, R315, R326	3	0699-1394	RESISTOR 14.7K +-1pct .125W TKF TC=0+-100	CRCW120614K7FKE_ RK73H2BT_1472F MCR18__F1472 232272461473L	VISHAY KOA ROHM YAGEO
R1104, R1106, R1111, R1112	4	0699-1400	RESISTOR 26.1K +-1pct .125W TKF TC=0+-100	CRCW120626K1FKE_ RK73H2BT_2612F MCR18__F2612 232272462613L	VISHAY KOA ROHM YAGEO
R1105, R1107, R1108, R1109, R1114, R1116, R1118, R1120	8	0699-1405	RESISTOR 38.3K +-1pct .125W TKF TC=0+-100	CRCW120638K3FKE_ RK73H2BT_3832F MCR18__F3832 232272463833L	VISHAY KOA ROHM YAGEO
R1110, R1119, R314, R406, R407, R933, R934	7	0699-1409	RESISTOR 56.2K +-1pct .125W TKF TC=0+-100	CRCW120656K2FKE_ RK73H2BT_5622F MCR18__F5622 232272465623	VISHAY KOA ROHM YAGEO

E1445-66502 Parts List

Reference Designator	Qty	Agilent Part Number	Description	MPN	Manufacturer
R1121, R304, R811	3	0699-1319	RESISTOR 12.1K +-1pct .125W TKF TC=0+-100	CRCW120612K1FKE_ RK73H2BT_1212F MCR18__F1212 232272461213L	VISHAY KOA ROHM YAGEO
R201, R202, R204, R209, R320, R929	6	0699-1435	RES-FXD 681 OHM +-1PCT .125W TC 0+-100	CRCW1206681RFKE_ RK73H2BT_6810F MCR18__F6810 232272466811	VISHAY KOA ROHM YAGEO
R205, R207, R208, R210, R219, R220, R222, R223, R401, R514, R518, R519, R611, R614, R617	15	0699-1362	RESISTOR 56.2 +-1pct .125W TKF TC=0+-100	CRCW120656R2FKE_ RK73H2BT_56R2F MCR18__F56R2 232272465629	VISHAY KOA ROHM YAGEO
R215, R216, R728, R819, R821	5	0699-1381	RESISTOR 3.48K +-1pct .125W TKF TC=0+-100	CRCW12063K48FKE_ RK73H2BT_3481F MCR18__F3481 232272463482	VISHAY KOA ROHM YAGEO
R218	1	0699-1347	RESISTOR-FXD 13.3OHM +-1pct .25W TC 0+-100	CRCW120613R3FKE_ RK73H2BT_13R3F MCR18__F13R3 232272461339	VISHAY KOA ROHM YAGEO
R302, R312, R402, R403, R507, R925	6	0699-2156	RESISTOR 20K +-1pct .125W TKF TC=0+-100	CRCW120620K0FKE_ RK73H2BT_2002F MCR18__F2002 232272462003	VISHAY KOA ROHM YAGEO
R305, R306, R926, R927, R931, R932	6	0699-2489	RESISTOR 10K +-0.1pct .125W TF TC=0+-25	RN732BT_1002B25 BLU-1206 10K .1% 25PPM MCA1206-25 0, 1% P5 10K MCA1206-25 0, 1% P5 10K PCF-W1206R031002BT	KOA RCD COMPONENTS VISHAY BC COMPONENTS VISHAY TT ELECTRONICS
R307	1	0699-2491	RESISTOR 20K +-0.1pct .125W TF TC=0+-25	RN732BT_2002B25 BLU-1206 20K .1% 25PPM MCA1206-25 0, 1% P5 20K MCA1206-25 0, 1% P5 20K W1206R032002BT	KOA RCD COMPONENTS VISHAY BC COMPONENTS VISHAY TT ELECTRONICS

E1445-66502 Parts List

Reference Designator	Qty	Agilent Part Number	Description	MPN	Manufacturer
R309, R904	2	0699-1424	RESISTOR-FXD 237 +-1pct .25W TC 0+-100 12	CRCW1206237RFKE_ RK73H2BT_2370F MCR18__F2370	VISHAY KOA ROHM
R316, R318, R713, R716, R718, R801-R808, R822- R824, R916-R919	20	0699-1445	RESISTOR 215K +-1pct .125W TKF TC=0+-100	CRCW1206215KFKE_ RK73H2BT_2153F MCR18__F2153 232272462154L	VISHAY KOA ROHM YAGEO
R317, R726	2	0699-1404	RESISTOR 34.8K +-1pct .125W TKF TC=0+-100	CRCW120634K8FKE_ RK73H2BT_3482F MCR18__F3482 232272463483	VISHAY KOA ROHM YAGEO
R319	1	0699-2840	RESISTOR 2.5K +-0.1pct .125W TF TC=0+-25	RN732BT_2501B25 2322741X2502 BLU-1206 2K5 .1% 25PPM MCA1206-25 0, 1% P5 2.5K TNPW12062501BT-9 W1206R032501BT	KOA YAGEO RCD COMPONENTS VISHAY BC COMPONENTS VISHAY TT ELECTRONICS
R321, R731, R902, R903, R928	5	0699-2490	RESISTOR 1K +-0.1pct .125W TF TC=0+-25	RN732BT_1001B25 BLU-1206 1K .1% 25PPM MCA1206-25 0, 1% P5 1K MCA1206-25 0, 1% P5 1K PCF-W1206R031001BT	KOA RCD COMPONENTS VISHAY BC COMPONENTS VISHAY TT ELECTRONICS
R503, R504, R603, R604	4	0699-3215	RESISTOR 40.2 +-0.1pct .125W TF TC=0+-25	2322741X4029 BLU-1206 40R2 .1% 25PPM PTN1206E40R2BB W1206-R-03-40R2B RN732BT__40R2B25	VISHAY BC COMPONENTS RCD COMPONENTS VISHAY TT ELECTRONICS KOA
R506, R512, R605, R612, R722, R725, R901	7	0699-2832	RESISTOR 200 +-0.1pct .125W TF TC=0+-25	RN732BT_2000B25 BLU-1206 200R .1% 25PPM MCA1206-25 0, 1% P5 200R TNPW12062000B W1206R032000BT	KOA RCD COMPONENTS VISHAY BC COMPONENTS VISHAY TT ELECTRONICS

E1445-66502 Parts List

Reference Designator	Qty	Agilent Part Number	Description	MPN	Manufacturer
R508, R513, R515, R516, R606, R613, R615, R616	8	0699-2488	RESISTOR 100 +-0.1pct .125W TF TC=0+-25	RN732BT_1000B25 BLU1206-1000-BT25 MCA1206-25 0, 1% P5 100R MCA1206-25 0, 1% P5 100R PCF-W1206R-03-1000-B	KOA RCD COMPONENTS VISHAY BC COMPONENTS VISHAY TT ELECTRONICS
R511, R610, R820	3	0699-1353	RESISTOR 23.7 +-1pct .125W TKF TC=0+-100	CRCW120623R7FKE_ RK73H2BT_23R7F MCR18__F23R7 232272462379	VISHAY KOA ROHM YAGEO
R701, R704, R706, R708	4	0699-2626	RESISTOR 143 +-1pct .125W TKF TC=0+-100	CRCW1206143RFKE_ RK73H2BT_1430F MCR18__F1430 232272461431	VISHAY KOA ROHM YAGEO
R702, R703, R705, R707, R709, R710	6	0699-2834	RESISTOR 400 +-0.1pct .125W TF TC=0+-25	RN732BT_4000B25 BLU-1206 400R .1% 25PPM MCA1206-25 0, 1% P5 400R W1206R034000BT TNPW1206400RBEE_	KOA RCD COMPONENTS VISHAY BC COMPONENTS TT ELECTRONICS VISHAY DALE ELECTRONICS
R711, R714	2	0699-1365	RESISTOR 75 +-1pct .125W TKF TC=0+-100	CRCW120675R0FKE_ RK73H2BT_75R0F MCR18__F75R0 232272467509	VISHAY KOA ROHM YAGEO
R721, R727	2	0699-1387	RESISTOR 6.81K +-1pct .125W TKF TC=0+-100	CRCW12066K81FKE_ RK73H2BT_6811F 232272466812L MCR18__F6811	VISHAY KOA YAGEO ROHM
R723, R730	2	0699-1421	RESISTOR 178 +-1pct .125W TKF TC=0+-100	CRCW1206178RFKE_ RK73H2BT_1780F MCR18__F1780 232272461781	VISHAY KOA ROHM YAGEO

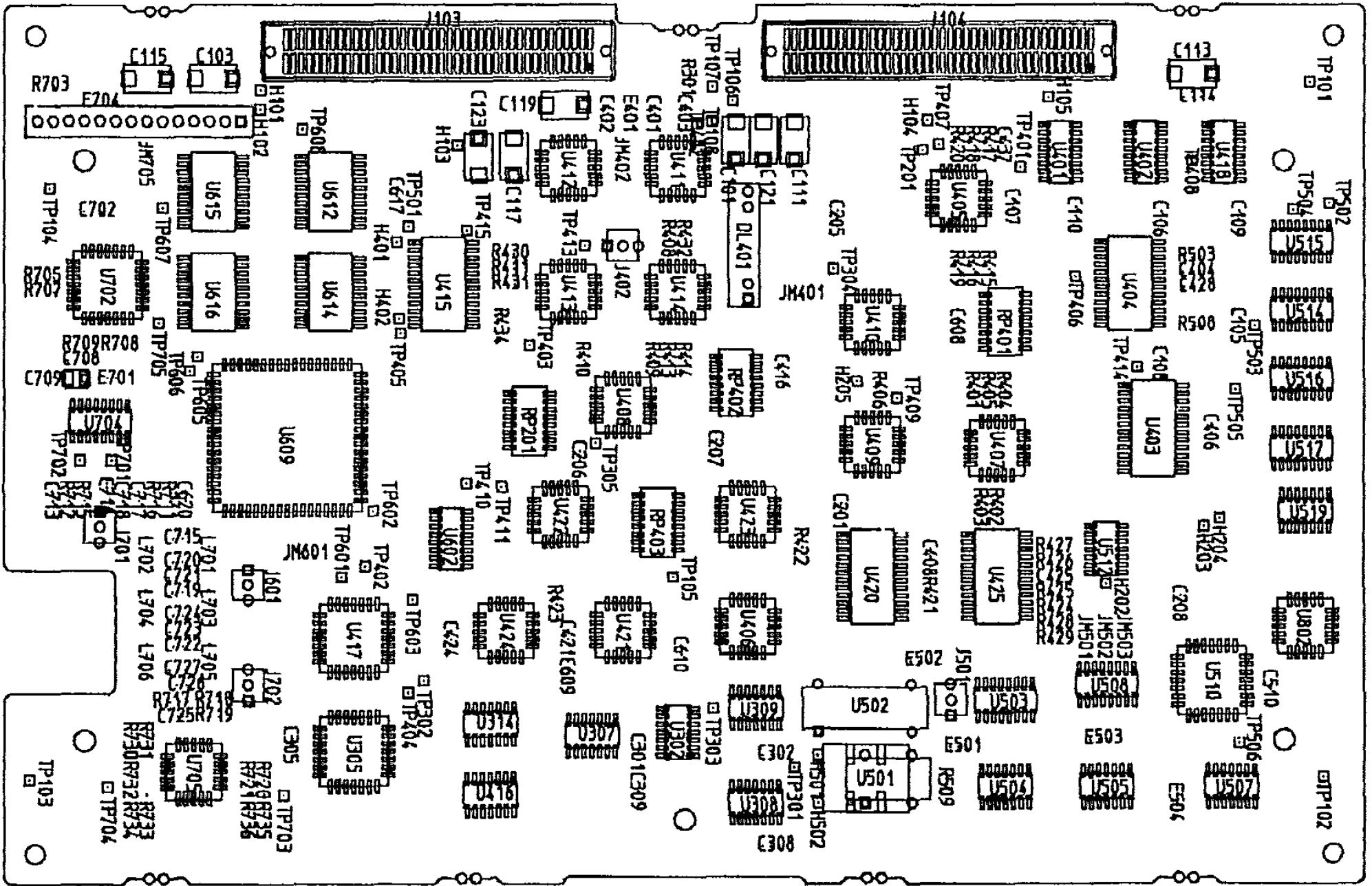
E1445-66502 Parts List

Reference Designator	Qty	Agilent Part Number	Description	MPN	Manufacturer
R724	1	0699-2835	RESISTOR 500 +-0.1pct .125W TF TC=0+-25	RN732BT_5000B25 BLU-1206 500R .1% 25PPM MCA1206-25 0, 1% P5 500R PTN1206E5000BB W1206R035000BT	KOA RCD COMPONENTS VISHAY BC COMPONENTS VISHAY TT ELECTRONICS
R809, R812	2	0699-1431	RESISTOR 464 +-1pct .125W TKF TC=0+-100	CRCW1206464RFKE_ RK73H2BT_4640F MCR18__F4640 232272464641	VISHAY KOA ROHM YAGEO
R813, R815	2	0699-1826	RESISTOR 45.3 +-1pct .125W TKF TC=0+-100	CRCW120645R3FKE_ RK73H2BT_45R3F MCR18__F45R3 232272464539	VISHAY KOA ROHM YAGEO
R814	1	0699-1430	RESISTOR 422 +-1pct .125W TKF TC=0+-100	CRCW1206422RFKE_ RK73H2BT_4220F MCR18__F4220 232272464221	VISHAY KOA ROHM YAGEO
R906, R907, R908, R909, R920, R921	6	0699-0064	RES-FXD 50 OHM +-0.1PCT 0.5W TC 0+-25 020	CMF-6550R0BT-9 H250RBD MBB0207-25 0.1%__50R	VISHAY MEGGITT-ELECTRONIC COMPONENTS VISHAY BC COMPONENTS
R910, R911, R913, R914, R915	5	0698-6317	RES-FXD 500 OHM +-0.1PCT 0.125W TC 0+-25	CMF-555000BT-9 MBB0207-25 0.1%__500R	VISHAY VISHAY BC COMPONENTS
R912	1	0698-6323	RES-FXD 100 OHM +-0.1PCT 0.125W TC 0+-25	CMF-551000BT-9 MBB0207-25 0.1%__100R	VISHAY VISHAY BC COMPONENTS
RP501, RP502, RP601, RP602	4	1810-1159	NET-RES 15 220.0 OHM 16-PIN	4816P-002-221 767161221G SOMC16-01-221G	BOURNS CTS VISHAY
SCR1, SCR2	2	0624-0729	SCREW-TPG 2-56 .25-IN-LG PAN-HD-TORX T8	0624-0729	ILLINOIS TOOL WORKS
T101	1	9100-4902	TRANSFORMER-RF FREQ. RANGE: 15-400 MHz	T1-1-KK81	MINI-CIRCUITS
U1001, U705, U706	3	5185-8466	Ltb for 1826-2443 lc,oa,opa621ku (E1445A		
	1	1826-2443	IC OP AMP WB 8 PIN PLSTC-SOIC		
U1002	1	5065-6695	LTB FOR E1445-66502 AND E1445-91002		
	1	1826-2435	IC BFR WB 8 PIN TO-3		

E1445-66502 Parts List

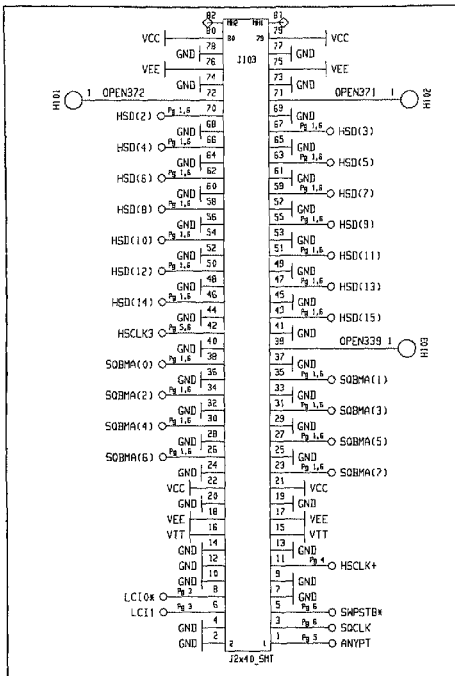
Reference Designator	Qty	Agilent Part Number	Description	MPN	Manufacturer
U1101	1	1826-2438	A/D 8-BIT 28-PLCC CMOS	ADC0848CCV-NOPB	NATIONAL SEMICONDUCTOR
U201, U202	2	1820-8832	IC DCDR-DEMURX CMOS/HC BIN 1-TO-8-LINE	74HC137D 74HC137D	PHILIPS NXP
U203, U301, U801	3	1820-6471	IC TRANSCEIVER CMOS/HCT BUS OCTL	SN74HCT652DW	TEXAS INSTRUMENTS
U204, U205	2	1820-7721	IC XLTR ECL/10KH TTL-TO-ECL OCTL	SN10KHT5578DW	TEXAS INSTRUMENTS
U206	1	1820-6524	IC XLTR ECL/10KH TTL-TO-ECL QUAD	MC10H124FN_G	ON SEMICONDUCTOR
U207, U210	2	1820-6521	IC GATE ECL/10KH OR-NOR TPL 3-INP	MC10H105FN_G	ON SEMICONDUCTOR
U208	1	1820-5777	IC GATE ECL/10KH EXCL-OR/NOR TPL 2-INP	MC10H107FN_G	ON SEMICONDUCTOR
U209	1	1820-5629	IC FF ECL/10KH D-M/S POS-EDGE-TRIG	MC10H131FNG	ON SEMICONDUCTOR
U302	1	1826-1899	1826-1899	MX7547JP+ AD7547JPZ	MAXIM INTEGRATED PRODUCTS ANALOG DEVICES
U303, U307, U506, U606, U805	5	1826-2420	IC OP AMP LP DUAL 8 PIN PLSTC-SOIC	AD706JRZ	ANALOG DEVICES
U304	1	1826-3162	IC OP AMP PRCN LOW POWER DUAL 8-SOIC	AD822ARZ	ANALOG DEVICES
U305	1	1826-1687	IC PWR MGT-V-REF-FXD 9.95/10.05V 8 PINS	LT1021DCS8-10#PBF	LINEAR TECHNOLOGY
U306, U403, U404, U406	4	1826-1811	IC OP AMP LOW-BIAS-H-IMPED DUAL 8 PIN	TL072ACD	TEXAS INSTRUMENTS
U308	1	1826-1546	IC OP AMP LOW-NOISE SINGLE 8-SOIC	NE5534AD NE5534ADG	TEXAS INSTRUMENTS ON SEMICONDUCTOR
U401	1	1820-5940	IC GATE CMOS/ACT AND QUAD 2-INP	MC74ACT08DG 74ACT08SCX.	ON SEMICONDUCTOR FAIRCHILD SEMICONDUCTOR
U402, U405	2	1826-2084	D/A 8-BIT 20-PLCC CMOS	AD7628KP	ANALOG DEVICES
U501, U502, U503	3	1820-7260	IC GATE ECL/10KH OR-NOR QUAD 2-INP	MC10H101FNG	ON SEMICONDUCTOR
U505, U603	2	5065-6611	LTB FOR E1445-66502		
	1	1826-2426	D/A 12-BIT 28-PLCC BPLR		
U601, U602	2	1820-8817	IC BFR ECL/10KH HEX 2-INP	MC10H188FN_G	ON SEMICONDUCTOR
U701, U702, U703, U704	4	5185-8467	Ltb for 1826-2444 E1445A		
	1	1826-2444	IC OP AMP WB 8 PIN PLSTC-SOIC		
U707	1	1820-5950	IC INV CMOS/AC HEX 14-SOIC	MC74AC04DG 74AC04SC SN74AC04D	ON SEMICONDUCTOR FAIRCHILD SEMICONDUCTOR TEXAS INSTRUMENTS
U802	1	1820-5942	IC TRANSCEIVER CMOS/ACT BUS OCTL	74ACT245SCX. SN74ACT245DW MC74ACT245DW__G	FAIRCHILD SEMICONDUCTOR TEXAS INSTRUMENTS ON SEMICONDUCTOR
U901	1	1820-5945	IC GATE CMOS/AC NAND QUAD 2-INP	MC74AC00DG	ON SEMICONDUCTOR
WSH1	1	3050-0891	WASHER-FL MTLT 3.0 3.3-MM-ID 6.85-MM-OD	3050-0891	HOUSE OF METRICS
	0.05 meter	8150-3431	WIRE 30AWG BL 42V KYNAR-PVF	5951-6 BR212/1-30-021	ALPHA WIRE CORNISH WIRE

E1445-66503 Component Locator

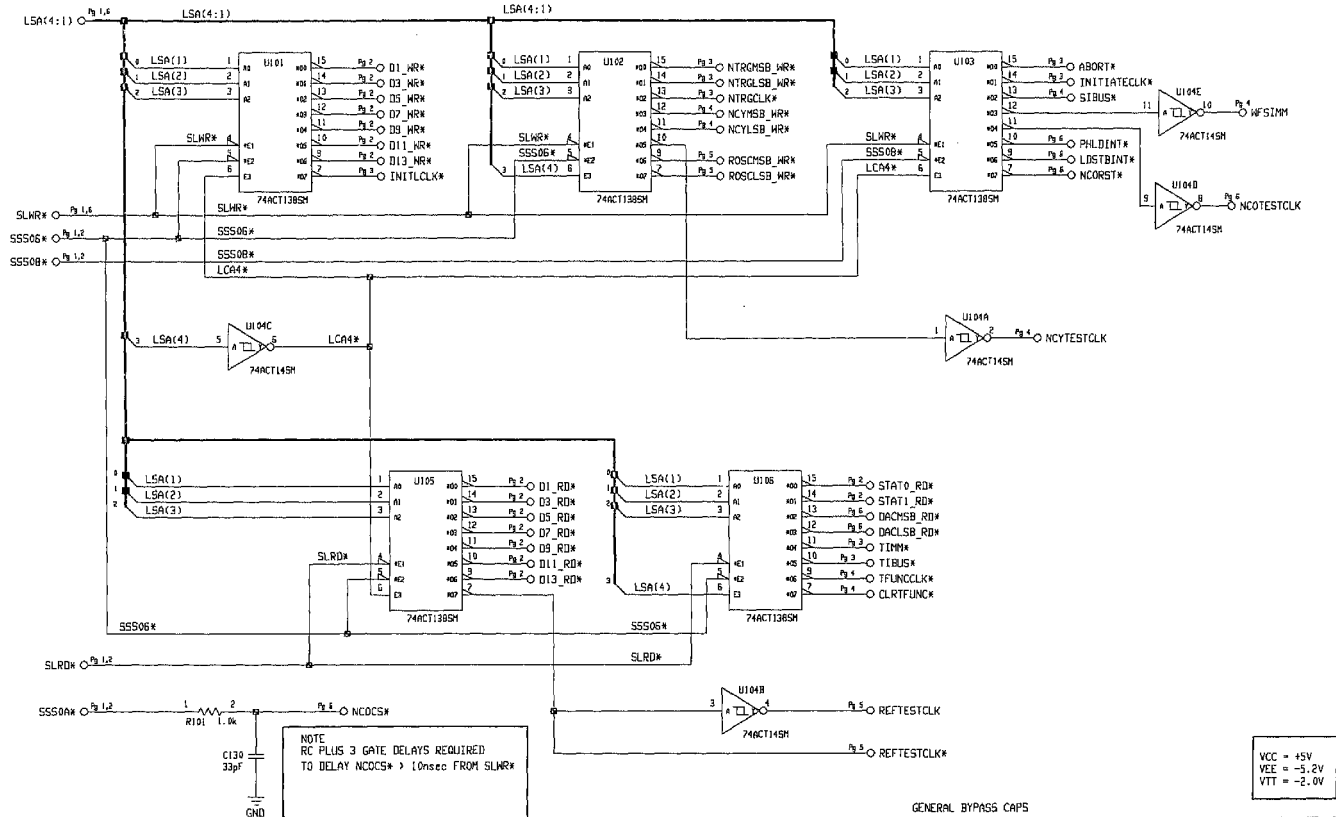
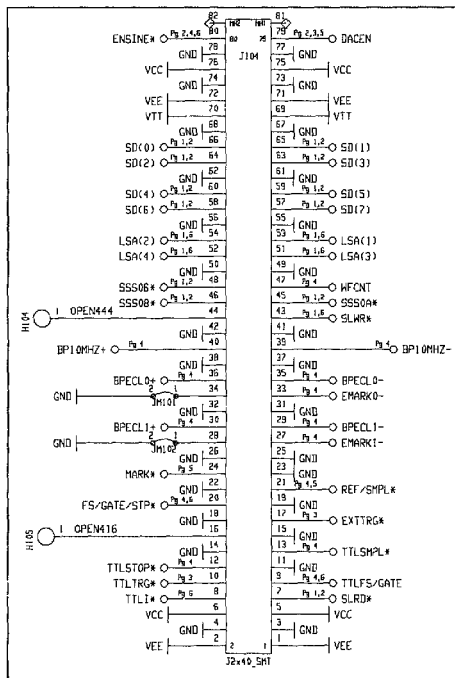


Agilent E1445A
Arbitrary Waveform Generator

E1445-66503 Component Locator

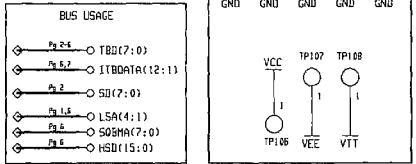
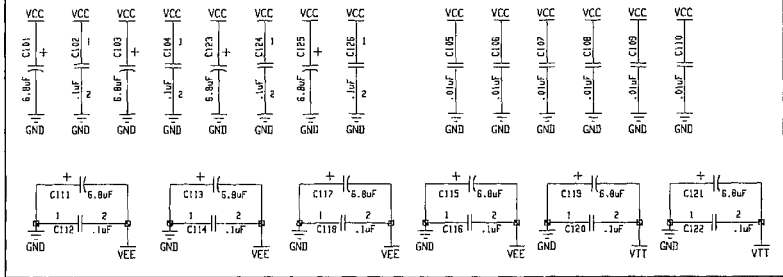


NOTE: LC11 IS LABELED LC11* ON -63501

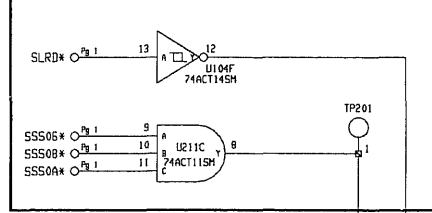
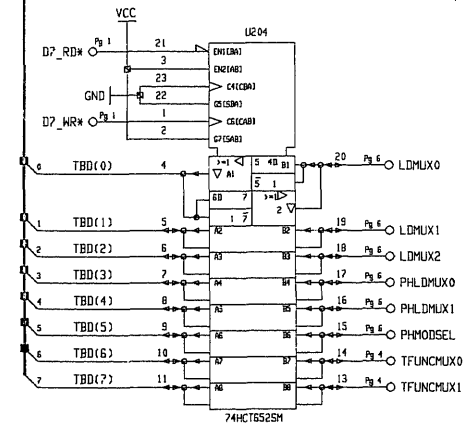
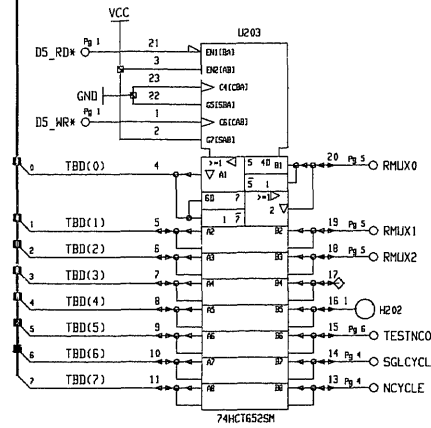
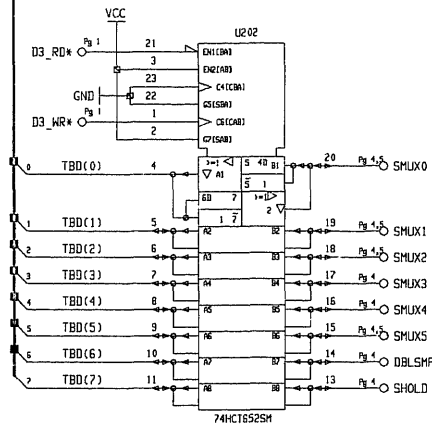
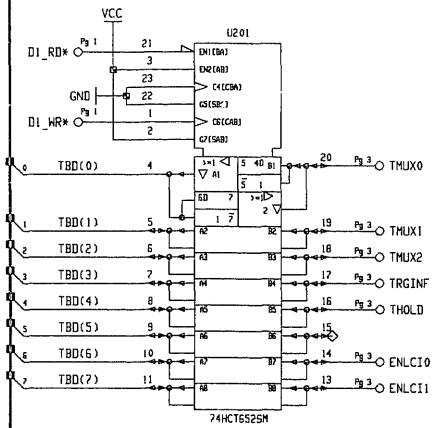


VCC = +5V
VEE = -5.2V
VTT = -2.0V

GENERAL BYPASS CAPS

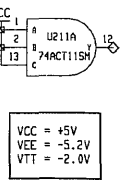
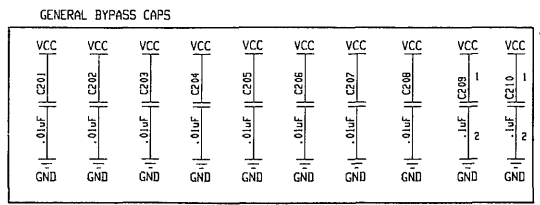
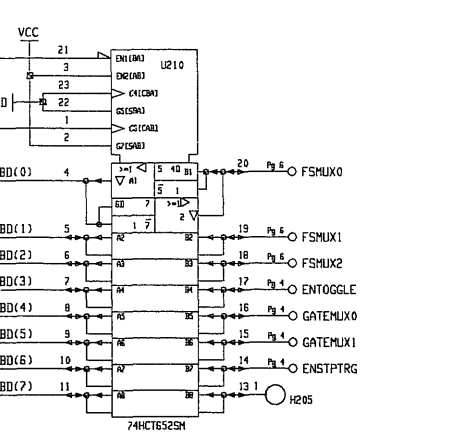
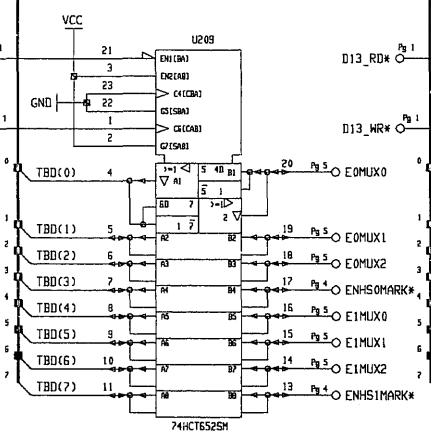
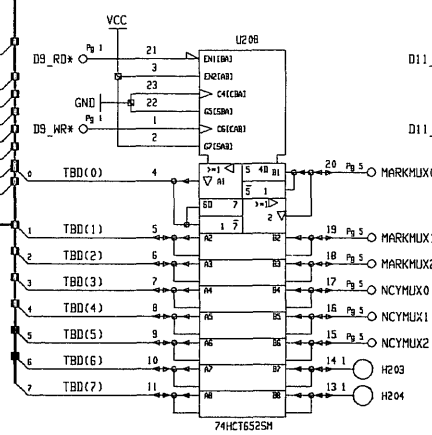
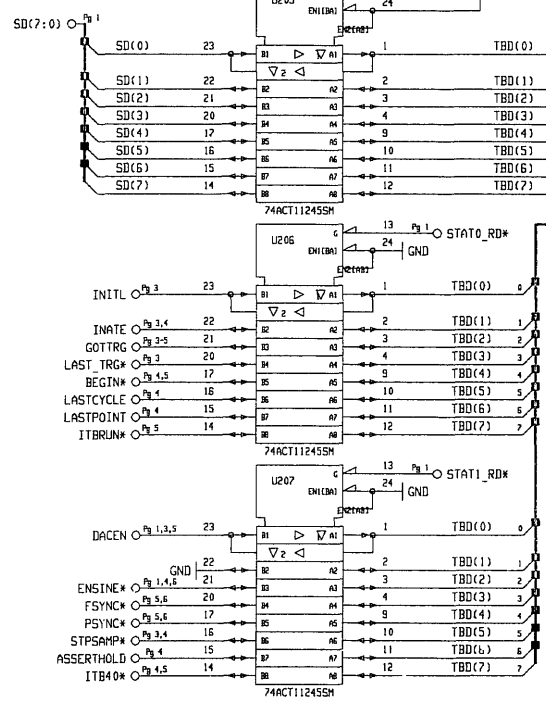
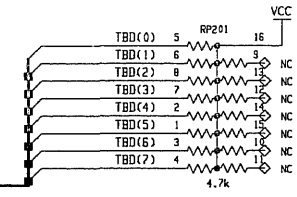


Agilent E1445A
Arbitrary Waveform Generator
TimeBase DDS Read/Write Control



*RST VALUES		*RST STATES	
MSB	LSB	TBD(7)	TBD(0)
D1:	1 1 0 0 0 0 0 0	D1:	ON, ON, XX, OFF, OFF, TS1MM
D3:	0 1 0 0 0 0 0 0	D3:	OFF, OFF, SEMPL_ECL*, ROSC/N*
D5:	0 0 1 0 0 0 0 1	D5:	OFF, OFF, OFF, XX, XX, 42.9MHZ
D7:	0 0 1 0 0 0 0 0	D7:	OFF, INT, PHLDINT*, LDSTBINT*
D9:	0 0 0 1 0 0 1 1	D9:	XX, XX, 1TB40*, NCY*
D11:	1 0 0 0 1 0 0 0	D11:	OFF, OFF, OFF, OFF
D13:	0 1 0 0 0 0 0 0	D13:	XX, ON, OFF, OFF, FREQA

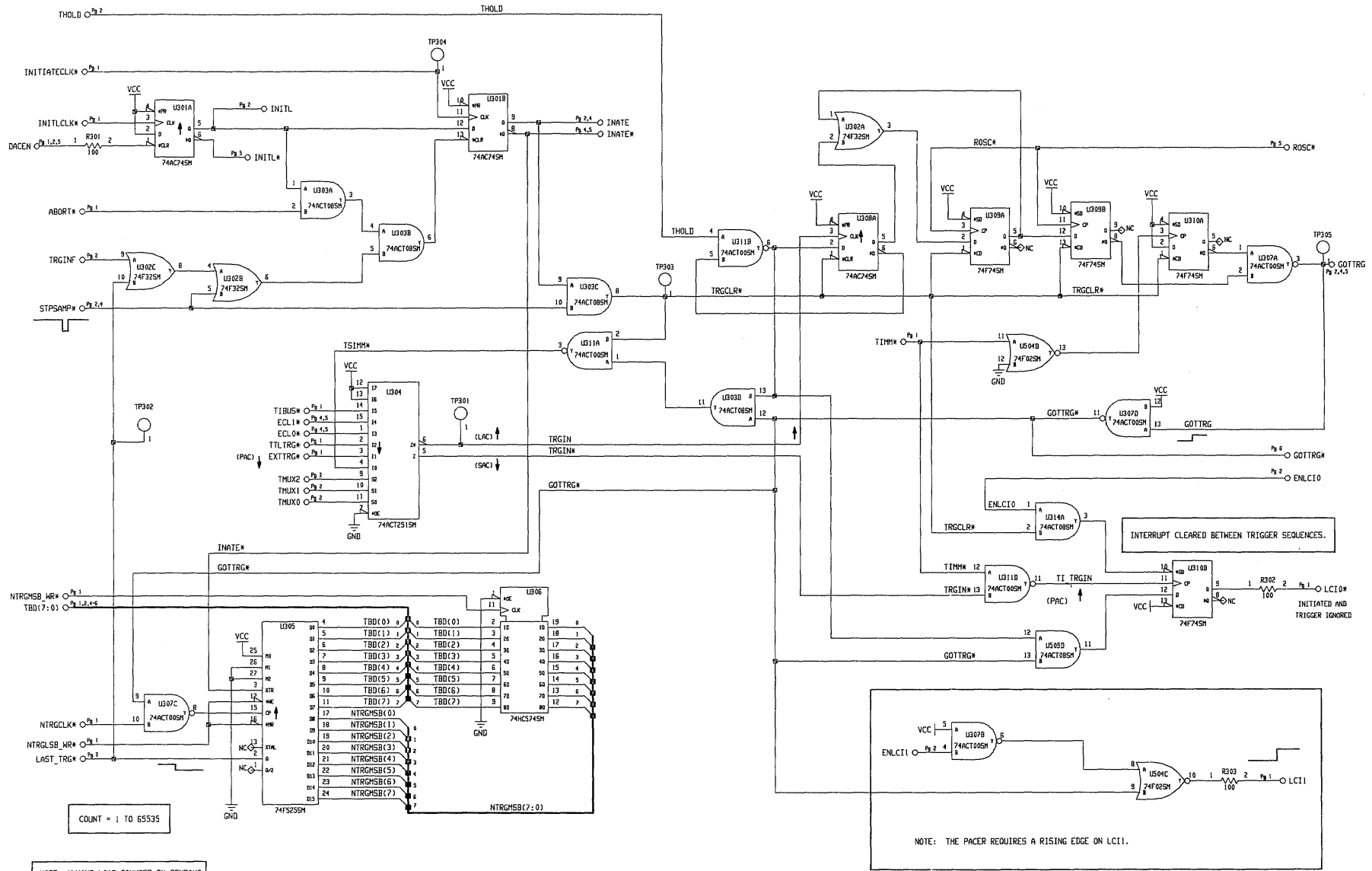
SETTING BOTH SGLCYCLE AND NCYCLE LOW GIVES INFINITE CYCLES
SGLCYCLE HIGH WILL OVERRIDE CYCLE FUNCTION.



VCC = +5V
VEE = -5.2V
VTT = -2.0V

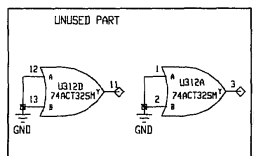
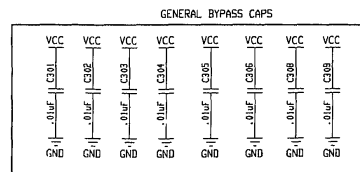
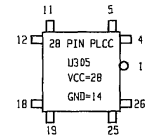
Agilent E1445A Arbitrary Waveform Generator

TimeBase Control Registers



COUNT = 1 TO 65535

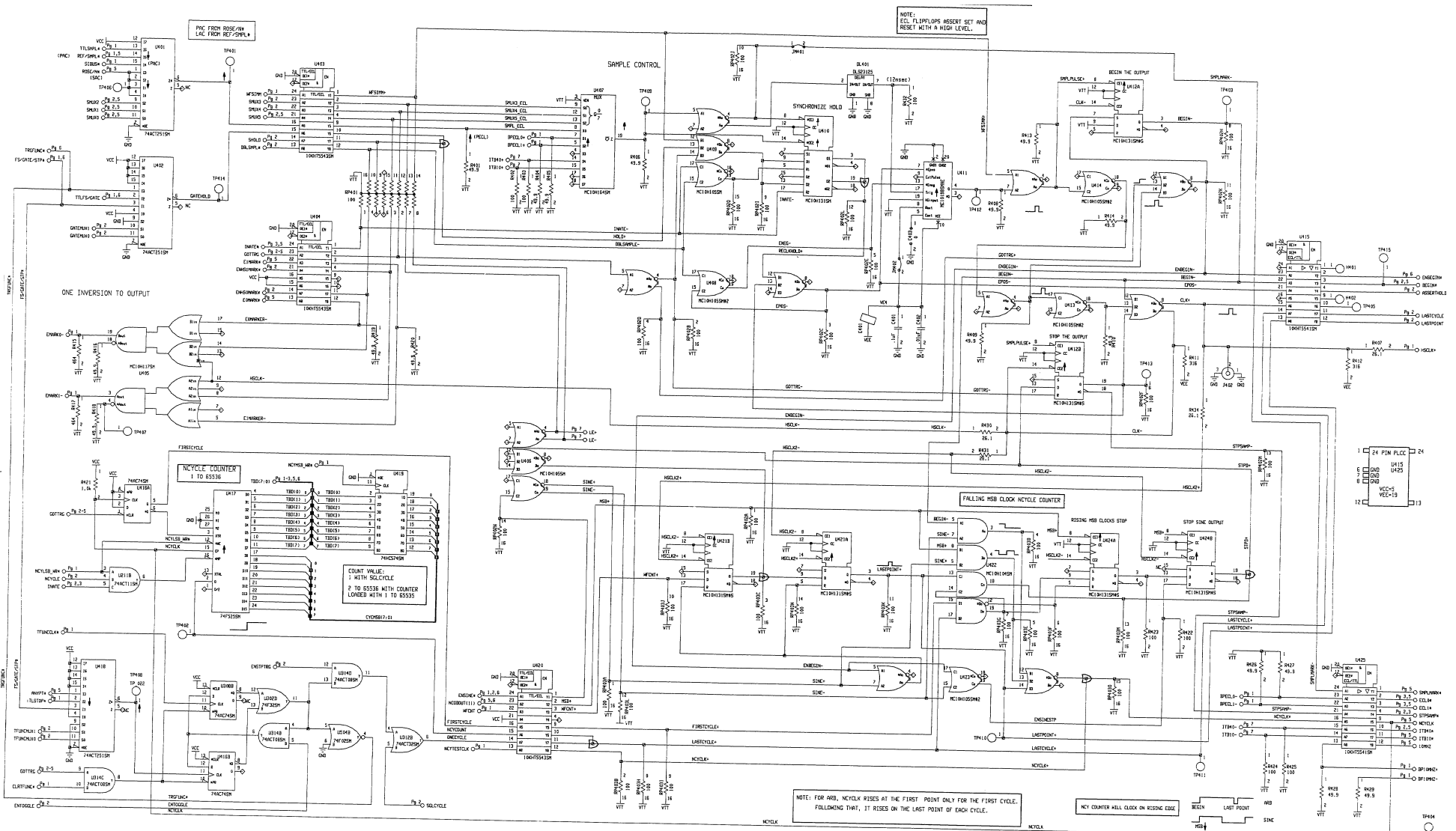
NOTE: ALWAYS LOAD COUNTER BY SENDING NTRGCLK BEFORE INITATECLK



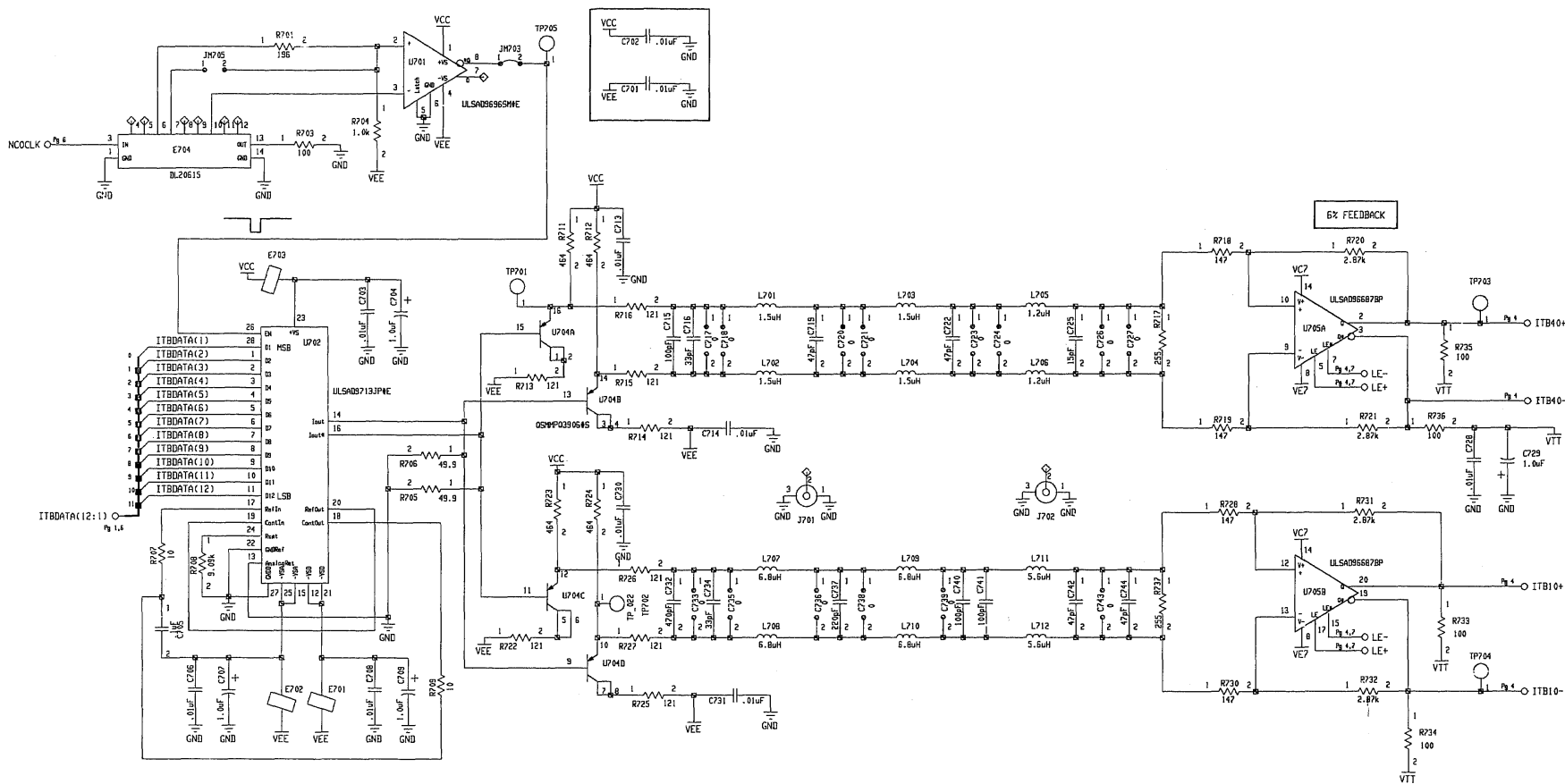
VCC = +5V
VEE = -5.2V
VTT = -2.0V

Agilent E1445A Arbitrary Waveform Generator

Trigger Circuit NTRIG Counter



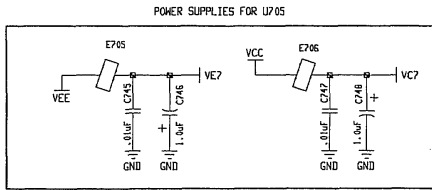
**Agilent E1445A
Arbitrary Waveform Generator**
Sample Control and NCYCLE Counter



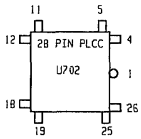
U702 OUTPUTS
 $I_{out} = 0$ AT CODE = 0 (000 HEX)
 $I_{out} = -I_{max}$ AT CODE = 4095 (FFF HEX)
 $-I_{max} = -1.26 \times 128/R708 = 17.74mA \pm 26\%$

NOTE: L701 - L712 HAVE SPECIAL PAD PATTERNS THAT WILL ACCEPT BOTH A AND B SIZE INDUCTORS.

FILTERS 6db GAUSSIAN MODIFIED FOR REDUCED OVERSHOOT
 14.6 Mhz f0 IDEAL 112,59,54,22pf
 USED 133,47,47,15pf
 3.2 Mhz f0 IDEAL 509,267,247,100pf
 USED 503,220,200,34pf



VCC = +5V
 VEE = -5.2V
 VTT = -2.0V



Agilent E1445A Arbitrary Waveform Generator

TimeBase DAC

U607	Pg05	NO-LOAD	U408	Pg04	1820-5521	TP408	Pg04	NO-LOAD	R429	Pg04	6999-2103	49.3 1%	DL401	Pg04	1181-0-1515	120uS	C438	Pg04	0160-6736	.01uF	10%	C210	Pg02	0160-6497	1.1uF	10%		
U606	Pg08	NO-LOAD	U408	Pg04	1820-5521	TP408	Pg04	NO-LOAD	R428	Pg04	6999-2103	49.3 1%					C437	Pg04	0160-6736	.01uF	10%	C209	Pg02	0160-6497	1.1uF	10%		
U604	Pg08	NO-LOAD	U407	Pg04	1820-6781	TP407	Pg04	NO-LOAD	R426	Pg04	6999-2103	49.3 1%					C436	Pg04	0160-6736	.01uF	10%	C208	Pg02	0160-6497	1.1uF	10%		
U602	Pg08	NO-LOAD	U406	Pg04	1820-5521	TP406	Pg04	NO-LOAD	R425	Pg04	6999-1415	100 1%					C435	Pg04	0160-6736	.01uF	10%	C207	Pg02	0160-6736	.01uF	10%		
U601	Pg08	NO-LOAD	U405	Pg04	1820-5520	TP405	Pg04	NO-LOAD	R424	Pg04	6999-1415	100 1%					C434	Pg04	0160-6736	.01uF	10%	C206	Pg02	0160-6736	.01uF	10%		
U705	B	Pg07	1826-2203	U404	Pg04	1820-7651	TP404	Pg04	NO-LOAD	R423	Pg04	6999-1415	100 1%					C433	Pg04	0160-6736	.01uF	10%	C205	Pg02	0160-6736	.01uF	10%	
U705	A	Pg07	1826-2203	U402	Pg04	1820-7551	TP402	Pg04	NO-LOAD	R422	Pg04	6999-1415	100 1%					C432	Pg04	0160-6736	.01uF	10%	C204	Pg02	0160-6736	.01uF	10%	
U704	C	Pg07	1826-2203	U401	Pg04	1820-8830	TP401	Pg04	NO-LOAD	R421	Pg04	6999-1415	100 1%					C431	Pg04	0160-6736	.01uF	10%	C203	Pg02	0160-6736	.01uF	10%	
U704	A	Pg07	1826-2203	U401	Pg04	1820-8830	TP401	Pg04	NO-LOAD	R420	Pg04	6999-1415	100 1%					C430	Pg04	0160-6736	.01uF	10%	C202	Pg02	0160-6736	.01uF	10%	
U703	Pg07	1826-2441	U314	D	Pg04	1820-5940	TP303	Pg03	NO-LOAD	R419	Pg04	6999-2103	49.3 1%					C429	Pg04	0160-6736	.01uF	10%	C201	Pg02	0160-6736	.01uF	10%	
U702	Pg07	1826-2440	U314	B	Pg04	1820-5940	TP302	Pg03	NO-LOAD	R418	Pg04	6999-2103	49.3 1%					C428	Pg04	0160-6736	.01uF	10%						
U618	D	Pg05	1820-4377	U312	B	Pg04	1820-5944	TP201	Pg02	NO-LOAD	R416	Pg04	6999-1431	454 1%					C426	Pg04	0160-6736	.01uF	10%					
U618	B	Pg05	1820-4377	U312	B	Pg04	1820-5944	TP108	Pg01	NO-LOAD	R414	Pg04	6999-2103	49.3 1%					C425	Pg04	0160-6736	.01uF	10%					
U618	A	Pg05	1820-4377	U311	A	Pg04	1820-5944	TP106	Pg01	NO-LOAD	R413	Pg04	6999-2103	49.3 1%					C424	Pg04	0160-6736	.01uF	10%					
U617	B	Pg05	1820-7756	U311	C	Pg05	1820-5938	TP105	Pg01	NO-LOAD	R412	Pg04	6999-1427	315 1%					C423	Pg04	0160-6736	.01uF	10%					
U617	A	Pg05	1820-7756	U311	B	Pg05	1820-5938	TP104	Pg01	NO-LOAD	R411	Pg04	6999-1427	315 1%					C422	Pg04	0160-6736	.01uF	10%					
U616	Pg05	1820-8461	U311	B	Pg03	1820-5938	TP103	Pg01	NO-LOAD	R410	Pg04	6999-2103	49.3 1%					C421	Pg04	0160-6736	.01uF	10%						
U615	Pg05	1820-8461	U310	B	Pg03	1820-5940	TP101	Pg01	NO-LOAD	R409	Pg04	6999-2103	49.3 1%					C420	Pg04	0160-6736	.01uF	10%						
U614	Pg05	1820-8461	U310	A	Pg03	1820-5940	RP403	O	Pg04	1810-1288	100 2%							C419	Pg04	0160-6736	.01uF	10%						
U613	Pg05	1820-8461	U309	B	Pg03	1820-5940	RP403	N	Pg04	1810-1288	100 2%							C418	Pg04	0160-6736	.01uF	10%						
U612	Pg05	1820-8461	U309	A	Pg03	1820-5940	RP403	L	Pg04	1810-1288	100 2%							C417	Pg04	0160-6736	.01uF	10%						
U611	Pg05	1820-8461	U308	B	Pg04	1820-5937	RP403	J	Pg04	1810-1288	100 2%							C416	Pg04	0160-6736	.01uF	10%						
U611	Pg05	1820-8461	U308	A	Pg04	1820-5937	RP403	H	Pg04	1810-1288	100 2%							C415	Pg04	0160-6736	.01uF	10%						
U610	Pg05	1820-8830	U307	D	Pg03	1820-5938	RP403	G	Pg04	1810-1288	100 2%							C414	Pg04	0160-6736	.01uF	10%						
U609	Pg05	1820-8847	U307	C	Pg03	1820-5938	RP403	F	Pg04	1810-1288	100 2%							C413	Pg04	0160-6736	.01uF	10%						
U608	Pg05	1820-5943	U307	A	Pg03	1820-5938	RP403	E	Pg04	1810-1288	100 2%							C412	Pg04	0160-6736	.01uF	10%						
U607	B	Pg05	1820-7756	U306	B	Pg03	1820-5938	RP403	D	Pg04	1810-1288	100 2%						C411	Pg04	0160-6736	.01uF	10%						
U607	A	Pg05	1820-7756	U306	A	Pg03	1820-5938	RP403	C	Pg04	1810-1288	100 2%						C410	Pg04	0160-6736	.01uF	10%						
U606	Pg05	1820-5943	U305	B	Pg03	1820-5937	RP403	B	Pg04	1810-1288	100 2%							C409	Pg04	0160-6736	.01uF	10%						
U605	Pg05	1820-5943	U305	A	Pg03	1820-5937	RP403	A	Pg04	1810-1288	100 2%							C408	Pg04	0160-6736	.01uF	10%						
U604	B	Pg05	1820-6308	U303	D	Pg03	1820-5940	RP403	J	Pg04	1810-1288	100 2%						C407	Pg04	0160-6736	.01uF	10%						
U604	A	Pg05	1820-6308	U303	C	Pg03	1820-5940	RP403	I	Pg04	1810-1288	100 2%						C406	Pg04	0160-6736	.01uF	10%						
U602	Pg05	1820-8830	U303	B	Pg03	1820-5940	RP403	H	Pg04	1810-1288	100 2%							C405	Pg04	0160-6736	.01uF	10%						
U601	Pg05	1820-8830	U303	A	Pg03	1820-5940	RP403	G	Pg04	1810-1288	100 2%							C404	Pg04	0160-6736	.01uF	10%						
U519	B	Pg05	1820-5944	U302	C	Pg03	1820-4988	RP401	P	Pg04	1810-1288	100 2%						C403	Pg04	0160-6736	.01uF	10%						
U519	A	Pg05	1820-5944	U302	B	Pg03	1820-4988	RP401	O	Pg04	1810-1288	100 2%						C402	Pg04	0160-6736	.01uF	10%						
U518	B	Pg05	1820-5944	U301	A	Pg03	1820-4988	RP401	N	Pg04	1810-1288	100 2%						C401	Pg04	0160-6736	.01uF	10%						
U518	A	Pg05	1820-5944	U301	A	Pg03	1820-4988	RP401	M	Pg04	1810-1288	100 2%						C400	Pg04	0160-6736	.01uF	10%						
U517	B	Pg05	1820-8728	U211	C	Pg03	1820-5937	RP233	Pg07	6999-2712	255 1%							C399	Pg03	0160-6736	.01uF	10%						
U517	A	Pg05	1820-8728	U211	B	Pg03	1820-5937	RP233	Pg07	6999-1415	100 1%							C398	Pg03	0160-6736	.01uF	10%						
U516	B	Pg05	1820-8728	U211	A	Pg03	1820-5937	RP233	Pg07	6999-1415	100 1%							C397	Pg03	0160-6736	.01uF	10%						
U515	B	Pg05	1820-8728	U211	A	Pg03	1820-5937	RP233	Pg07	6999-1415	100 1%							C396	Pg03	0160-6736	.01uF	10%						
U515	A	Pg05	1820-8728	U211	A	Pg03	1820-5937	RP233	Pg07	6999-1415	100 1%							C395	Pg03	0160-6736	.01uF	10%						
U514	B	Pg05	1820-6141	U209	B	Pg02	1820-5471	RP228	Pg07	6999-1419	147 1%							C394	Pg02	0160-6736	.01uF	10%						
U514	A	Pg05	1820-6141	U209	A	Pg02	1820-5471	RP227	Pg07	6999-1419	147 1%							C393	Pg02	0160-6736	.01uF	10%						
U513	F	Pg05	1820-7312	U207	B	Pg02	1820-7281	RP226	Pg07	6999-1417	121 1%							C392	Pg02	0160-6736	.01uF	10%						
U513	E	Pg05	1820-7312	U206	B	Pg02	1820-7281	RP225	Pg07	6999-1417	121 1%							C391	Pg02	0160-6736	.01uF	10%						
U512	D	Pg05	1820-7312	U205	B	Pg02	1820-7281	RP224	Pg07	6999-1417	121 1%							C390	Pg02	0160-6736	.01uF	10%						
U512	C	Pg05	1820-7312	U204	B	Pg02	1820-6471	RP223	Pg07	6999-1431	454 1%							C389	Pg02	0160-6736	.01uF	10%						
U512	B	Pg05	1820-7312	U203	B	Pg02	1820-6471	RP222	Pg07	6999-1417	121 1%							C388	Pg02	0160-6736	.01uF	10%						
U512	A	Pg05	1820-7312	U202	B	Pg02	1820-6471	RP221	Pg07	6999-1417	121 1%							C387	Pg02	0160-6736	.01uF	10%						
U511	Pg05	1820-7952	U201	Pg05	1820-6471	RP220	Pg07	6999-1379	2.87k1%									C386	Pg05	0160-6736	.01uF	10%						
U510	Pg05	1820-8831	U106	Pg01	1820-5941	RP179	Pg07	6999-1413	147 1%									C385	Pg05	0160-6736	.01uF	10%						
U509	D	Pg05	1820-5940	U105	Pg01	1820-5941	RP178	Pg07	6999-2712	255 1%								C384	Pg05	0160-6736	.01uF	10%						
U509	C	Pg05	1820-5940	U104	F	Pg02	1820-7312	RP176	Pg07	6999-1417	121 1%							C383	Pg05	0160-6736	.01uF	10%						
U509	B	Pg05	1820-5940	U104	E	Pg01	1820-7312	RP175	Pg07	6999-1417	121 1%							C382	Pg05	0160-6736	.01uF	10%						
U509	A	Pg05	1820-5940	U104	D	Pg01																						

Ref.	Des.	Layer	X	Y	Ref.	Des.	Layer	X	Y	Ref.	Des.	Layer	X	Y	Ref.	Des.	Layer	X	Y	Ref.	Des.	Layer	X	Y	Ref.	Des.	Layer	X	Y	Ref.	Des.	Layer	X	Y
C101	1		675	-3825	C429	8	3575	-2575	C721	1	3500	-7400	L701	1	3300	-7200	R711	1	2950	-7450	TP601	1	3500	-6350	U420	1	3500	-2950						
C102	8		775	-3825	C430	8	1850	-3125	C722	1	3950	-7400	L702	1	3300	-7600	R712	1	2950	-8100	TP602	1	3075	-6150	U421	1	3850	-4550						
C103	1		275	-7175	C431	8	2650	-2525	C723	1	3850	-7400	L703	1	3650	-7200	R713	8	2500	-7550	TP603	1	3650	-5900	U422	1	3100	-4950						
C104	8		275	-7250	C432	8	2725	-2925	C724	1	3750	-7400	L704	8	3300	-7600	R714	8	2600	-7550	TP604	1	2075	-5750	U423	8	3100	-3750						
C105	1		1825	-500	C433	8	3550	-3825	C725	1	4400	-7375	L705	1	4000	-7200	R715	1	2850	-8000	TP605	1	2175	-7325	U424	1	3850	-5300						
C106	1		1125	-1100	C434	8	1050	-2575	C726	1	4200	-7375	L706	1	4000	-7600	R716	1	2850	-7550	TP606	1	1100	-7500	U425	1	3500	-2150						
C107	1		1850	-2050	C435	8	3700	-1750	C727	1	4100	-7400	L707	8	3300	-7200	R717	1	4300	-7400	TP607	1	600	-6605	U501	1	4950	-3000						
C108	1		2075	-1160	C436	8	1575	-5325	C728	8	4825	-7200	L708	8	3700	-7600	R718	1	4300	-7200	TP608	1	2750	-6025	U502	1	4500	-3300						
C109	1		1125	-600	C437	1	850	-2100	C729	8	4825	-7550	L709	8	3650	-7200	R719	1	4400	-7200	TP701	1	2750	-7825	U504	1	4850	-2100						
C110	1		1100	-1650	C438	8	3625	-4975	C730	8	2850	-7250	L710	8	3650	-7600	R720	1	4750	-6850	TP702	1	2750	-8025	U503	1	4300	-2100						
C111	1		675	-3450					C731	8	2400	-8250	L711	8	4000	-7200	R721	1	4750	-6950	TP703	1	4900	-6725	U505	1	4850	-1450						
C112	8		575	-3450					C732	8	2850	-7650	L712	8	4000	-7600	R722	8	2600	-8250	TP704	1	4850	-7850	U506	8	4850	-2100						
C113	1		250	-900					C733	8	2850	-7750	R101	8	600	-2650	R723	8	2950	-7450	TP705	1	1850	-7525	U507	1	4850	-650						
C114	1		400	-900	C501	8	4475	-2925	C734	8	2825	-7850	R301	1	275	-4125	R724	8	2950	-8100	U101	8	1700	-1200	U508	1	4200	-1450						
C115	1		275	-7600	C502	8	4475	-3050	C735	8	3250	-7400	R302	8	4850	-5775	R725	8	2500	-8250	U102	8	1000	-700	U509	8	4450	-5400						
C116	8		275	-7525	C503	8	4050	-3275	C736	8	3500	-7400	R303	8	4150	-5625	R726	8	2950	-7550	U103	8	975	-2325	U510	1	4175	-775						
C117	1		775	-5250	C504	8	4050	-3375	C737	8	3400	-7400	R401	1	2300	-2300	R727	8	2950	-8000	U104	8	1000	-1750	U511	8	4200	-850						
C118	8		750	-5250	C505	1	4550	-1150	C738	8	3800	-7400	R402	1	2300	-2300	R728	8	4300	-7200	U105	8	1700	-700	U512	1	3325	-1450						
C119	1		450	-4925	C506	8	4400	-1975	C739	8	3850	-7400	R403	1	2300	-2300	R729	8	4300	-7200	U106	8	1000	-1200	U513	1	1775	-200						
C120	1		450	-4975	C507	8	4950	-550	C740	8	3750	-7400	R404	1	2300	-2100	R730	1	4500	-7700	U201	8	3500	-2950	U514	1	1325	-200						
C121	1		675	-3850	C508	8	4300	-1325	C741	8	3950	-7400	R405	1	2300	-2200	R731	1	4500	-7700	U202	8	2550	-2150	U515	1	1325	-200						
C122	8		575	-3850	C509	8	4575	-5125	C742	8	4100	-7375	R406	1	2250	-2300	R732	1	4500	-7600	U203	8	3500	-2150	U516	1	2225	-200						
C123	1		775	-5475	C510	1	4175	-355	C743	8	4400	-7375	R407	8	1250	-5100	R733	1	4950	-7500	U204	8	3500	-3750	U517	1	2675	-200						
C124	8		750	-5475	C511	8	4600	-1825	C744	8	4200	-7275	R408	1	2250	-2300	R734	1	4950	-7700	U205	8	2550	-2150	U518	8	4850	-1450						
C125	8		250	-900	C512	8	3225	-1550	C745	8	4700	-7125	R409	1	2050	-4350	R735	1	4950	-6850	U206	8	1050	-3550	U519	1	3075	-175						
C126	8		400	-900	C513	8	4950	-1750	C746	8	4700	-6950	R410	1	2050	-4800	R736	8	4300	-7400	U207	8	2500	-5100	U601	8	3825	-4625						
C130	8		700	-9975	C514	8	1875	-75	C747	8	4700	-7475	R411	1	1500	-5300	R737	8	4300	-7400	U208	8	2550	-4150	U602	1	3250	-3850						
C201	1		3025	-3150	C515	8	1425	-75	C748	8	4700	-7650	R412	8	1275	-4900	RP201	1	2500	-5150	U209	8	3400	-1150	U603	8	3825	-4275						
C202	8		2775	-1750	C516	8	2325	-75	R401	1	1700	-3750	R413	1	2050	-4250	RP401	1	1850	-2100	U210	8	3500	-3750	U604	8	2825	-7075						
C203	8		4000	-1925	C517	8	1875	-75	E401	1	450	-4500	R414	1	2050	-4150	RP402	1	2250	-3825	U211	8	2550	-3350	U606	8	2725	-6325						
C204	8		3725	-3350	C518	8	2725	-5325	E501	1	4600	-2400	R415	1	1450	-2200	RP403	1	3150	-4325	U212	8	1000	-2850	U607	8	1600	-5700						
C205	8		1125	-3175	C519	8	4750	-1750	E502	1	4050	-2650	R416	1	1450	-2300	TP101	1	400	-150	U213	8	4525	-4750	U608	8	1700	-2500						
C206	1		2700	-4825	C601	8	3875	-5750	E503	1	4550	-1500	R417	1	650	-2200	TP102	1	3700	-60	U301	1	4500	-4200	U610	8	3825	-4275						
C207	1		2625	-3850	C602	8	3875	-5025	E504	1	4900	-1000	R418	1	650	-2300	TP103	1	4805	-8350	U302	8	4500	-4200	U611	8	1000	-6800						
C208	1		3625	-975	C603	8	2350	-6475	E601	8	2350	-6225	R419	1	1450	-2400	TP104	1	975	-8225	U303	8	4350	-3675	U612	1	1000	-6825						
C209	8		2775	-750	C604	8	2350	-6350	E701	1	2225	-7850	R420	1	650	-2400	TP105	1	3500	-4225	U304	8	4350	-3675	U613	8	1650	-6800						
C210	8		3775	-2575	C605	8	2700	-7350	E702	8	2100	-8250	R421	1	3575	-2575	TP106	1	420	-3850	U305	1	4625	-6275	U614	1	1650	-6425						
C301	1		4575	-4450	C606	8	2600	-6800	E703	8	1125	-7950	R422	1	3250	-3400	TP107	1	330	-3980	U306	8	4600	-6200	U615	1	1000	-7175						
C302	1		4650	-3800	C607	8	4050	-5125	E704	1	550	-7000	R423	1	3625	-4975	TP108	1	735	-2630	U307	1	4525	-4750	U616	1	1650	-7175						
C303	8		4850	-5125	C608	1	1825	-2400	E705	8	4700	-6775	R424	1	3625	-4975	TP109	1	550	-3980	U308	1	4950	-3700	U617	8	2475	-5700						
C304	8		4050	-3475	C609	1	4050	-4900	E706	8	4450	-7650	R425	1	3600	-1750	TP201	1	735	-2630	U309	1	4350	-3700	U618	8	925	-5775						
C305	1		4525	-6575	C610	1	3950	-4175	H101	1	350	-6875	R426	1	3400	-1750	TP301	1	4725	-3450	U410	8	4950	-4750	U619	8	325	-5775						
C306	8		4475	-5825	C611	8	1275	-6475	H102	1	475	-6875	R427	1	3300	-1750	TP302	1	4175	-5825	U411	8	4950	-3700	U701	8	1250	-7700						
C308	1		5225	-3600	C612	8	825	-6225	H103	1	700	-5510	R428	1	3800	-1750	TP303	1	4350	-3975	U412	8	4900	-5400	U702	1	1600	-7850						
C309	1		4925	-4450	C613	8	1925	-6475	H104	1	550	-2800	R429	1	3900	-1750	TP304	1	1500	-3200	U413	1	4450	-5400	U703	1	2500	-7900						
C401	1		450	-4350	C614	8	1475	-6225	H105	1	400	-1825	R430	1	1400	-5300	TP305	1	2650	-4725	U414	1	4750	-7300	U704	1	4750	-7300						
C402	1		450	-4650	C615	8	1175	-7350	H201	1	3550	-1450	R431	1	1600	-5300	TP401	1	850	-2000	U415	1	750	-1750	U705	1	3825	-175						
C403	1		475	-4150	C616	8	1825	-7350	H202	1	3175	-825	R432	1	1250	-4150	TP402	1	3425	-6200	U416	1	750	-1750	U706	1	3825	-175						
C404	1		1525	-900	C617	1	975	-6000	H203	1	3125	-825	R433	1	1500	-5150	TP403	1	2000	-5150	U417	1	1600	-5700	U707	1	3825	-175						
C405	8		1575	-6050	C618	8	3125	-5550	H204	1	3125	-825	R434	1	1825	-5325	TP404	1	4250	-5925	U418	1	1600	-5700	U708	1	3825	-175						
C406	1		2525	-775	C619	8	3125	-6775	H205	1	2245	-3050	R501	8	4475	-2800	TP405	1	1925	-5975	U419	1	1600	-5700	U709	1	3825	-175						
C407	8		625	-600	C620	1	2950	-7350	H401	1	1325	-6000	R502	8	4050	-3150	TP406	1	1550	-1650	U420	1	1600	-5700	U710	1	3825	-175						
C408	1																																	

E1445-66503 Parts List

Reference Designator	QTY	Agilent Part Number	Description	MPN	Manufacturer
BAG1	1	9222-1440	POUCH-STAT-DISS-CNDCT PE	9222-1440 PACK 66	MAINE POLY SPECIALTY ENTERPRISES
C101, C103, C111, C113, C115, C117, C119, C121, C123, C125	10	0180-3753	CAP-FXD 6.8uF +-20PCT 35V TA	TAJD685M035 ESVD1V685M	AVX NEC ELECTRONICS
C102, C104, C112, C114, C116, C118, C120, C122, C124, C126, C209, C210, C401, C501, C503, C705	16	0160-6497	CAP-FXD 0.1uF +-10pct 50 V CER X7R	12065C104KAT A 2238 581 15649 C1206C104K5RAC C3216X7R1H104KT GRM319R71H104KA01D VJ1206Y104KXAMT	AVX YAGEO KEMET ELECTRONICS TDK MURATA MANUFACTURING VISHAY
C105-C110, C201- C208, C301-C306, C308, C309, C402, C404-C438, C502, C504-C519, C604- C624, C701-C703, C706, C708, C713, C714, C728, C730, C731, C745, C747	108	0160-6736	CAP-FXD 0.01uF +-10pct 50 V CER X7R	12065C103KAT A C1206C103K5RAC C3216X7R1H103K GRM316R71H103KD01D VJ1206Y103KXAMT	AVX KEMET ELECTRONICS TDK MURATA MANUFACTURING VISHAY
C130, C716, C734	3	0160-5959	CAP-FXD 33pF +-5pct 50 V CER C0G	08055A330JAT A C0805C330J5GAC C2012COG1H330J GRM2165C1H330JD01D	AVX KEMET ELECTRONICS TDK MURATA MANUFACTURING
C601, C602, C715, C740, C741	5	0160-5967	CAP-FXD 100pF +-5pct 50 V CER C0G	08055A101JAT A C0805C101J5GAC C2012COG1H101J GRM2165C1H101JA01D VJ0805A101JXAMT	AVX KEMET ELECTRONICS TDK MURATA MANUFACTURING VISHAY

E1445-66503 Parts List

Reference Designator	QTY	Agilent Part Number	Description	MPN	Manufacturer
C603, C704, C707, C709, C729, C746, C748	7	0180-3751	CAP-FXD 1uF +-20PCT 35V TA	TAJB105M035 293D105X0035B2E3 ESVB21V105M SK-1V105M-RB	AVX VISHAY NEC ELECTRONICS ELNA
C719, C722, C742, C744	4	0160-5957	CAP-FXD 47pF +-5pct 50 V CER C0G	08055A470JAT A C0805C470J5GAC C2012COG1H470J GRM2165C1H470JD01D VJ0805A470JXAMT	AVX KEMET ELECTRONICS TDK MURATA MANUFACTURING VISHAY
C725	1	0160-5962	CAP-FXD 15pF +-5pct 50 V CER C0G	08055A150JAT A C0805C150J5GAC C2012COG1H150J GRM2165C1H150JD01D	AVX KEMET ELECTRONICS TDK MURATA MANUFACTURING
C732	1	0160-6096	CAP-FXD 470pF +-5pct 50 V CER C0G	12065A471JAT A C1206C471J5GAC C3216COG1H471J GRM3165C1H471JD01D	AVX KEMET ELECTRONICS TDK MURATA MANUFACTURING
C737	1	0160-5954	CAP-FXD 220pF +-5pct 50 V CER C0G	08055A221JAT A 223858016605 C0805C221J5GAC C2012COG1H221J GRM2165C1H221JA01D	AVX YAGEO KEMET ELECTRONICS TDK MURATA MANUFACTURING
DL401	1	1810-1515	DELAY LINE PASSIVE DEVICE W/SINGLE		
E401, E501, E502, E503, E504, E601, E701, E702, E703, E705, E706	11	9170-1421	CORE-SHIELDING BEAD IMAX 1500MA	MI1210K600R-10	STEWART
E704	1	1810-1602	DELAY LINE PASSIVE DEVICE W/SINGLE	SIP5-201	RHOMBUS INDUSTRIES
J103, J104	2	1252-4572	CONN-POST TYPE .050-PIN-SPCG-MTG-END	5-104550-8	TYCO ELECTRONICS AMP

E1445-66503 Parts List

Reference Designator	QTY	Agilent Part Number	Description	MPN	Manufacturer
JM101, JM102, JM401, JM402, JM502, JM504, JM601, JM703	8	0699-1503	RESISTOR 0 CWM	CRCW12060000ZSE_ RK73Z2BT MCR18__J000 232271191005	VISHAY KOA ROHM YAGEO
L701, L702, L703, L704	4	9140-1106	INDUCTOR 1.5uH +-5pct 3.4W-mmX4.8LG-mm	SMRF1812-151J	GOWANDA ELECTRONICS
L705, L706	2	9140-1428	INDUCTOR 1.2uH +-5pct 3.4W-mmX4.8LG-mm	SMRF1812-121J	GOWANDA ELECTRONICS
L707, L708, L709, L710	4	9140-1111	INDUCTOR 6.8uH +-5pct 3.4W-mmX4.8LG-mm	SMRF1812-681J	GOWANDA ELECTRONICS
L711, L712	2	9140-1110	INDUCTOR 5.6uH +-5pct 3.4W-mmX4.8LG-mm	SMRF1812-561J	GOWANDA ELECTRONICS
LBL1	1	9320-6241	LBL-PG-PTR; .625-IN-WD X .25-IN-LG	9320-6241	BRADY
LBL2	1	7121-0850	LABEL-ANTISTATIC 1.81-IN-WD 2.5-IN-LG	7101 7101 7121-0850	R S HUGHES 3M GM NAMEPLATE
LBL3	1	7121-5729	LBL-LNE-PTR; 1.5-IN-WD X .25-IN-LG	THT-45-457-10	BRADY
R101, R421, R601, R602, R704	5	0699-1318	RESISTOR 1K +-1pct .125W TKF TC=0+-100	CRCW12061K00FKE_ RK73H2BT_1001F MCR18__F1001 232272461002L	VISHAY KOA ROHM YAGEO
R301, R302, R303, R402, R403, R422, R423, R424, R425, R432, R703, R733, R734, R735, R736	15	0699-1415	RESISTOR 100 +-1pct .125W TKF TC=0+-100	CRCW1206100RFKE_ RK73H2BT_1000F MCR18__F1000 232272461001L	VISHAY KOA ROHM YAGEO
R401, R404, R405, R406, R408, R409, R410, R413, R414, R416, R418, R419, R420, R426, R427, R428, R429, R705, R706	19	0699-2103	RESISTOR 49.9 +-1pct .125W TKF TC=0+-100	CRCW120649R9FKE_ RK73H2BT_49R9F MCR18__F49R9 232272464999	VISHAY KOA ROHM YAGEO

E1445-66503 Parts List

Reference Designator	QTY	Agilent Part Number	Description	MPN	Manufacturer
R407, R430, R431, R434, R505	5	0699-1354	RESISTOR 26.1 +-1pct .125W TKF TC=0+-100	CRCW120626R1FKE_ RK73H2BT_26R1F MCR18__F26R1 232272462619	VISHAY KOA ROHM YAGEO
R411, R412	2	0699-1427	RESISTOR 316 +-1pct .125W TKF TC=0+-100	CRCW1206316RFKE_ RK73H2BT_3160F MCR18__F3160 232272463161	VISHAY KOA ROHM YAGEO
R415, R417, R711, R712, R723, R724	6	0699-1431	RESISTOR 464 +-1pct .125W TKF TC=0+-100	CRCW1206464RFKE_ RK73H2BT_4640F MCR18__F4640 232272464641	VISHAY KOA ROHM YAGEO
R501, R502, R707, R709	4	0699-1344	RESISTOR 10 +-1pct .125W TKF TC=0+-100	CRCW120610R0FKE_ RK73H2BT_10R0F MCR18__F10R0 232272461009L	VISHAY KOA ROHM YAGEO
R503, R504, R506, R508, R509, R603	6	0699-1391	RESISTOR 10K +-1pct .125W TKF TC=0+-100	CRCW120610K0FKE_ RK73H2BT_1002F MCR18__F1002 232272461003L	VISHAY KOA ROHM YAGEO
R701	1	0699-1422	RESISTOR 196 +-1pct .125W TKF TC=0+-100	CRCW1206196RFKE_ RK73H2BT_1960F MCR18__F1960 232272461961L	VISHAY KOA ROHM YAGEO
R708	1	0699-1390	RESISTOR 9.09K +-1pct .125W TKF TC=0+-100	CRCW12069K09FKE_ RK73H2BT_9091F MCR18__F9091 232272469092	VISHAY KOA ROHM YAGEO

E1445-66503 Parts List

Reference Designator	QTY	Agilent Part Number	Description	MPN	Manufacturer
R713, R714, R715, R716, R722, R725, R726, R727	8	0699-1417	RESISTOR 121 +-1pct .125W TKF TC=0+-100	CRCW1206121RFKE_ RK73H2BT_1210F MCR18__F1210 232272461211	VISHAY KOA ROHM YAGEO
R717, R737	2	0699-2712	RESISTOR 255 +-1pct .125W TKF TC=0+-100	CRCW1206255RFKE_ RK73H2BT_2550F MCR18__F2550 232272462551	VISHAY KOA ROHM YAGEO
R718, R719, R728, R730	4	0699-1419	RESISTOR 147 +-1pct .125W TKF TC=0+-100	CRCW1206147RFKE_ RK73H2BT_1470F MCR18__F1470 232272461471L	VISHAY KOA ROHM YAGEO
R720, R721, R731, R732	4	0699-1379	RESISTOR 2.87K +-1pct .125W TKF TC=0+-100	CRCW12062K87FKE_ RK73H2BT_2871F MCR18__F2871 232272462872	VISHAY KOA ROHM YAGEO
RP201	1	1810-1128	NET-RES 15 4.7K OHM 16-PIN	767161472G SOMC16-01-472G 4816P-2-472LF	CTS VISHAY BOURNS
RP401, RP402, RP403	3	1810-1288	NET-RES 15 100.0 OHM 16-PIN	4816P-002-101 767161101G SOMC-16-01-101G	BOURNS CTS VISHAY
U101, U102, U103, U105, U106	5	1820-5941	IC DCDR-DEMURX CMOS/ACT BIN 8-TO-1-LINE	MC74ACT138DG 74ACT138SCX	ON SEMICONDUCTOR FAIRCHILD SEMICONDUCTOR
U104, U512	2	1820-7312	IC SCHMITT-TRIG CMOS/ACT INV HEX	MC74ACT14DR2G SN74ACT14D	ON SEMICONDUCTOR TEXAS INSTRUMENTS
U201, U202, U203, U204, U208, U209, U210	7	1820-6471	IC TRANSCEIVER CMOS/HCT BUS OCTL	SN74HCT652DW	TEXAS INSTRUMENTS

E1445-66503 Parts List

Reference Designator	QTY	Agilent Part Number	Description	MPN	Manufacturer
U205, U206, U207	3	1820-7281	IC TRANSCEIVER CMOS/ACL BUS OCTL	74ACT11245DW	TEXAS INSTRUMENTS
U211	1	1820-8835	IC GATE CMOS/ACT AND TPL 3-INP	MC74ACT11D_G	ON SEMICONDUCTOR
U301, U308, U416	3	1820-5937	IC FF CMOS/AC D-TYPE POS-EDGE-TRIG	74AC74SCX-NL MC74AC74DG	FAIRCHILD SEMICONDUCTOR ON SEMICONDUCTOR
U302	1	1820-4998	IC GATE TTL/F OR QUAD 2-INP	74F32SCX. N74F32D SN74F32D N74F32D	FAIRCHILD SEMICONDUCTOR PHILIPS TEXAS INSTRUMENTS NXP
U303, U314, U509	3	1820-5940	IC GATE CMOS/ACT AND QUAD 2-INP	MC74ACT08DG 74ACT08SCX.	ON SEMICONDUCTOR FAIRCHILD SEMICONDUCTOR
U304, U401, U402, U418, U503, U508, U516, U517, U601, U602, U610	11	1820-8830	IC MUXR/DATA-SEL CMOS/ACT 8-TO-1-LINE	74ACT251SCX	FAIRCHILD SEMICONDUCTOR
U305, U417, U510	3	5065-6694	LTB FOR E1445-66503		
U305, U417, U510a	1	1820-8831	IC CNTR TTL/F BIN-DOWN MULTI-MODE		
U306, U419, U511	3	1820-5752	IC FF CMOS/HC D-TYPE POS-EDGE-TRIG COM	MC74HC574ADWG 74HC574D MM74HC574WMX SN74HC574DW 74HC574D	ON SEMICONDUCTOR PHILIPS FAIRCHILD SEMICONDUCTOR TEXAS INSTRUMENTS NXP
U307, U311	2	1820-5938	IC GATE CMOS/ACT NAND QUAD 2-INP	MC74ACT00DG SN74ACT00D 74ACT00SCX	ON SEMICONDUCTOR TEXAS INSTRUMENTS FAIRCHILD SEMICONDUCTOR

E1445-66503 Parts List

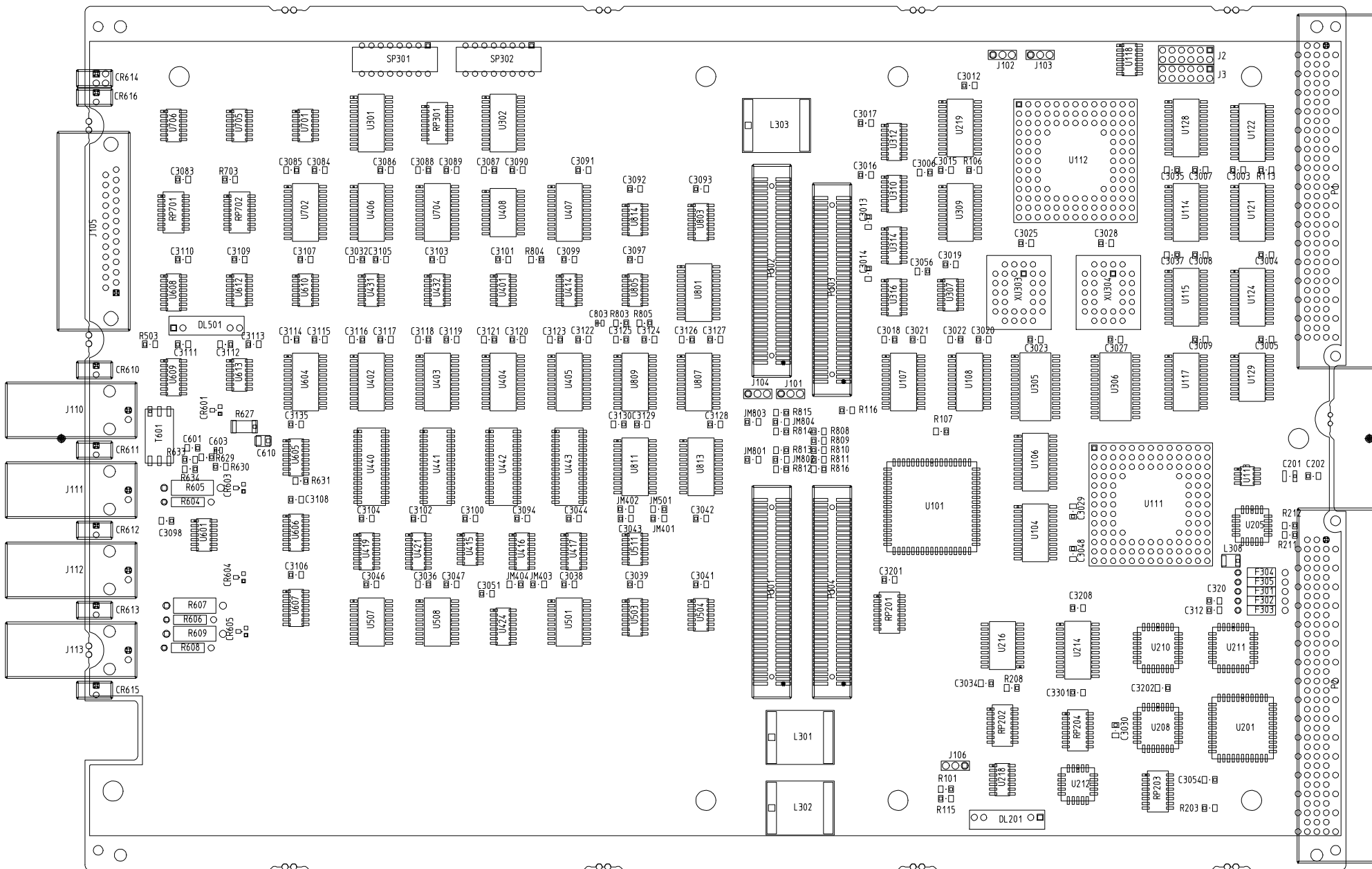
Reference Designator	QTY	Agilent Part Number	Description	MPN	Manufacturer
U309, U310, U505, U506, U507	5	1820-5040	IC FF TTL/F D-TYPE POS-EDGE-TRIG	74F74D 74F74SCX. SN74F74D 74F74D	PHILIPS FAIRCHILD SEMICONDUCTOR TEXAS INSTRUMENTS NXP
U312, U519	2	1820-5944	IC GATE CMOS/ACT OR QUAD 2-INP	MC74ACT32DG 74ACT32SCX. CD74ACT32M	ON SEMICONDUCTOR FAIRCHILD SEMICONDUCTOR TEXAS INSTRUMENTS
U403, U404, U420	3	1820-7651	IC XLTR ECL/10KH TTL-TO-ECL OCTL	SN10KHT5543DW	TEXAS INSTRUMENTS
U405	1	1820-6520	IC GATE ECL/10KH OR-AND-INV DUAL 3-INP	MC10H117FN_G	ON SEMICONDUCTOR
U406, U408, U409, U413, U414, U423	6	1820-6521	IC GATE ECL/10KH OR-NOR TPL 3-INP	MC10H105FN_G	ON SEMICONDUCTOR
U407	1	1820-6781	IC MUXR/DATA-SEL ECL/10KH 8-TO-1-LINE	MC10H164FNG	ON SEMICONDUCTOR
U410, U412, U421, U424	4	1820-5629	IC FF ECL/10KH D-M/S POS-EDGE-TRIG	MC10H131FNG	ON SEMICONDUCTOR
U411	1	5188-2510	LTB FOR 1820-8816		
	1	1820-8816	IC MV ECL/10K MONOSTBL RETRIG		
U415, U425	2	1820-8829	IC XLTR ECL/10KH ECL-TO-TTL OCTL	SN10KHT5541DW	TEXAS INSTRUMENTS
U422	1	1820-5606	IC GATE ECL/10KH AND QUAD 2-INP	MC10H104FN_G	ON SEMICONDUCTOR
U501	1	5065-6690	LTB FOR E1445-66503		
	1	1813-0879	CRYSTAL OSC 40.0MHZ 0.005pct		
U502	1	5961-3091	LIFETIME BUY FOR P/N 1813-0831		
	1	1813-0831	CRYSTAL OSC 42.949672MHZ 0.005pct		
U504	1	1820-4687	IC GATE TTL/F NOR QUAD 2-INP	74F02SCX. N74F02D SN74F02D N74F02D	FAIRCHILD SEMICONDUCTOR PHILIPS TEXAS INSTRUMENTS NXP
U514, U515	2	1820-6141	IC MUXR/DATA-SEL TTL/F 8-TO-1-LINE	SN74F251BD	TEXAS INSTRUMENTS

E1445-66503 Parts List

Reference Designator	QTY	Agilent Part Number	Description	MPN	Manufacturer
U518	1	1820-8728	IC GATE CMOS/ACT NOR QUAD 2-INP	MC74ACT02DR2G 74ACT02SCX.	ON SEMICONDUCTOR FAIRCHILD SEMICONDUCTOR
U603	1	1820-6008	IC MV CMOS/HC MONOSTBL RETRIG DUAL	74HC4538D MM74HC4538M 74HC4538D	PHILIPS FAIRCHILD SEMICONDUCTOR NXP
U605, U606, U608	3	1820-5943	IC MUXR CMOS/ACT QUAD 16-SOIC	74ACT257SC MC74ACT257DG	FAIRCHILD SEMICONDUCTOR ON SEMICONDUCTOR
U607, U617	2	1820-7796	IC DRVR BICMOS/ABT LINE OCTL	74ABT244D SN74ABT244ADW 74ABT244D	PHILIPS TEXAS INSTRUMENTS NXP
U609	1	1820-8947	IC OSC CMOS 32-BIT 68-PLCC		
U611, U612, U613, U614, U615, U616	6	1820-8461	IC FF BICMOS/ABT D-TYPE POS-EDGE-TRIG	74ABT574AD SN74ABT574ADW 74ABT574AD	PHILIPS TEXAS INSTRUMENTS NXP
U618	1	1820-4377	IC GATE TTL/F NAND QUAD 2-INP	74F00SCX. N74F00D SN74F00D N74F00D	FAIRCHILD SEMICONDUCTOR PHILIPS TEXAS INSTRUMENTS NXP
U701	1	5969-5479	LIFETIME BUY FOR 1826-2440		
	1	1826-2440	IC COMPARATOR HS 8 PIN PLSTC-SOIC	AD9696KR	ANALOG DEVICES
U702	1	5000-0021	LTB for 1826-2441		
	1	1826-2441	IC-CONVERTER		
U704	1	1858-0114	TRANSISTOR ARRAY 16-PIN PLSTC SURFACE	MMPQ3906R1 MMPQ3906	ON SEMICONDUCTOR FAIRCHILD SEMICONDUCTOR
U705	1	1826-2203	IC COMPARATOR HS DUAL 20-PLCC	AD96687BPZ	ANALOG DEVICES
	1	E1445-26503	PC BOARD BLANK	E1445-26503	SANMINA-SCI

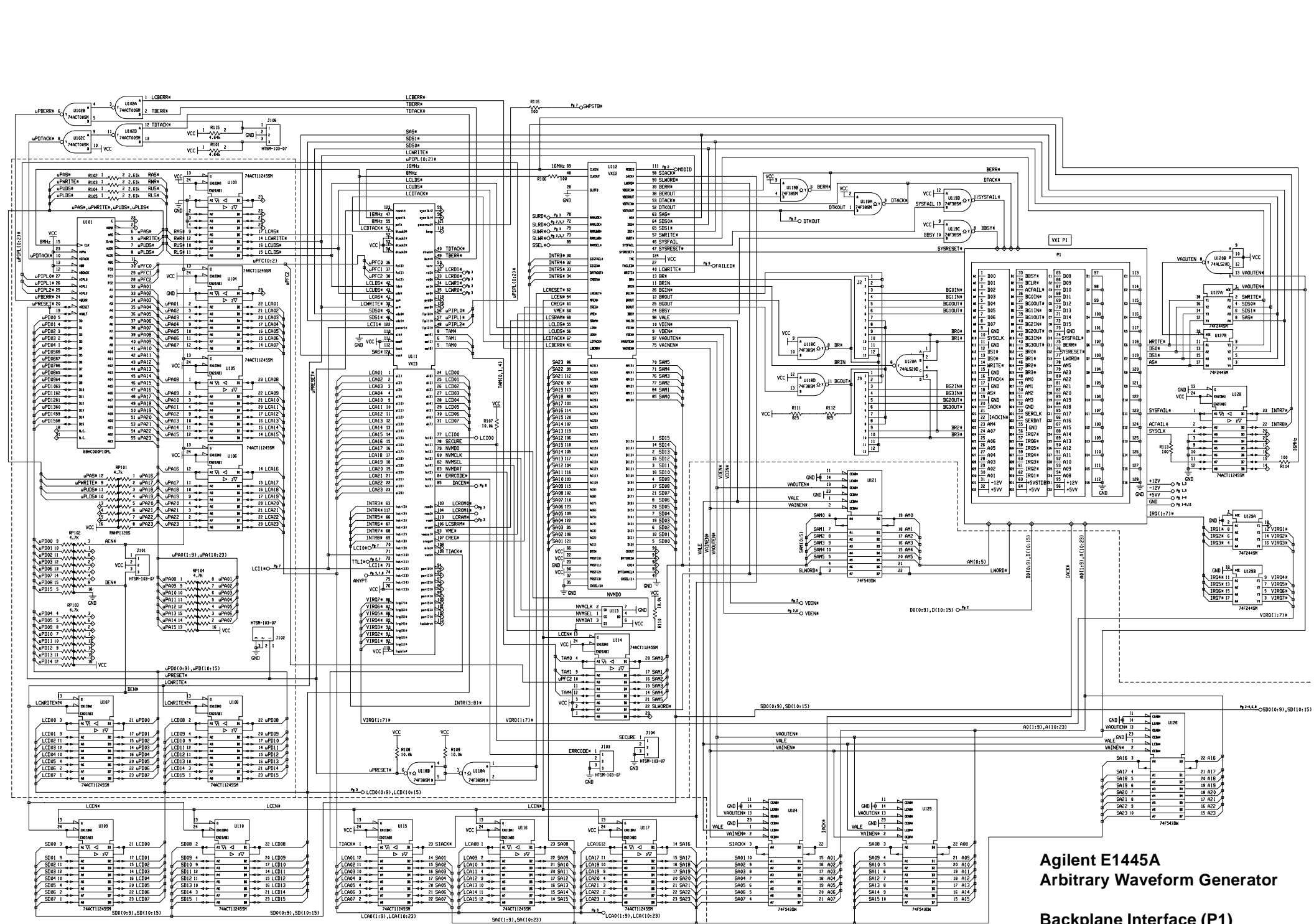
E1445-66511 Component Locator

TOP VIEW

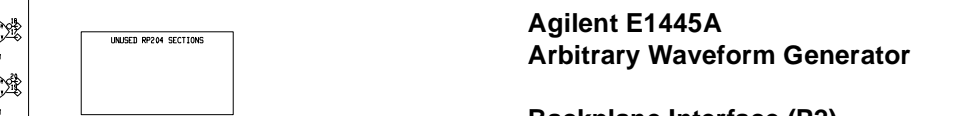
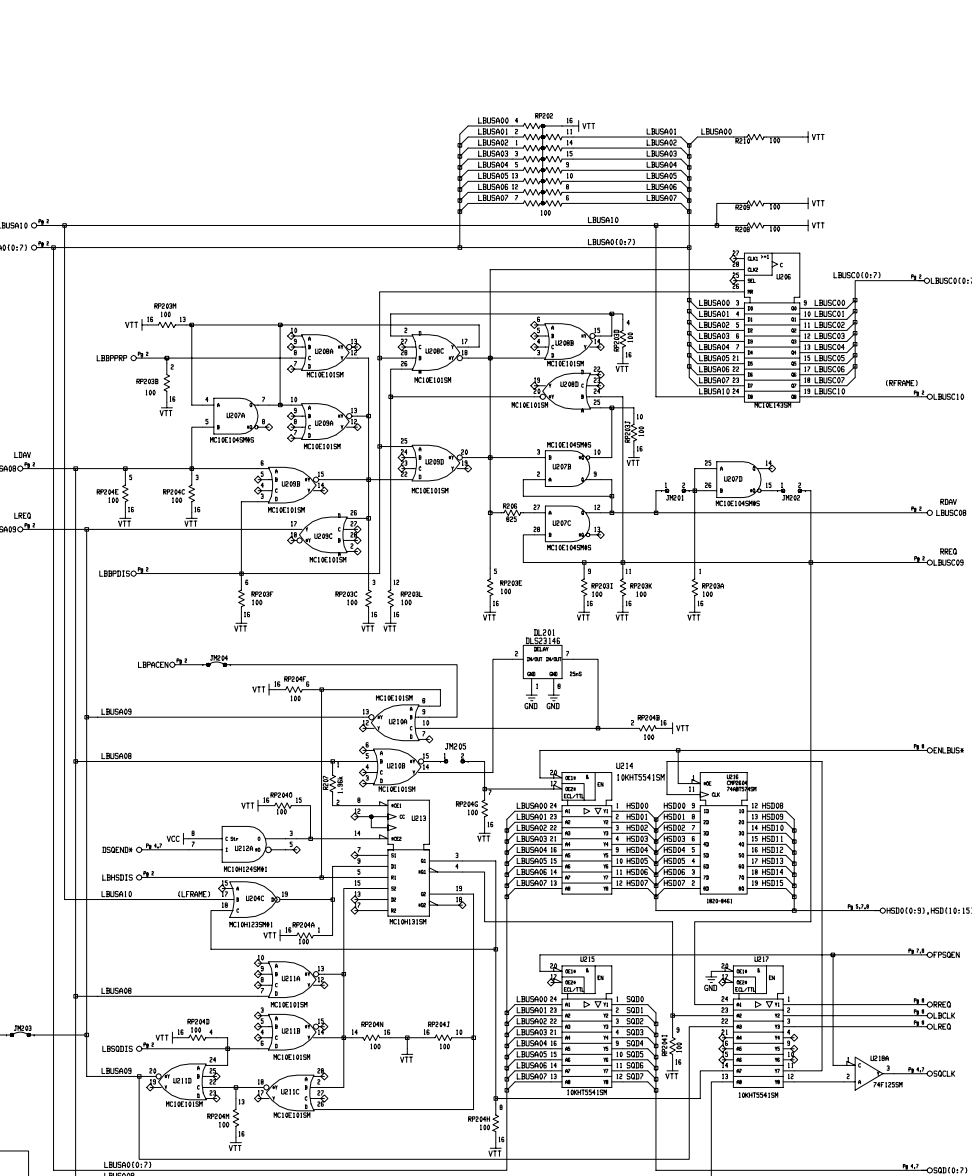
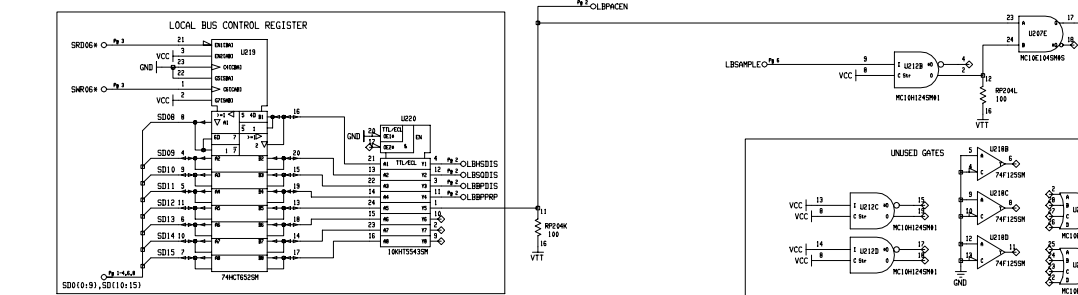
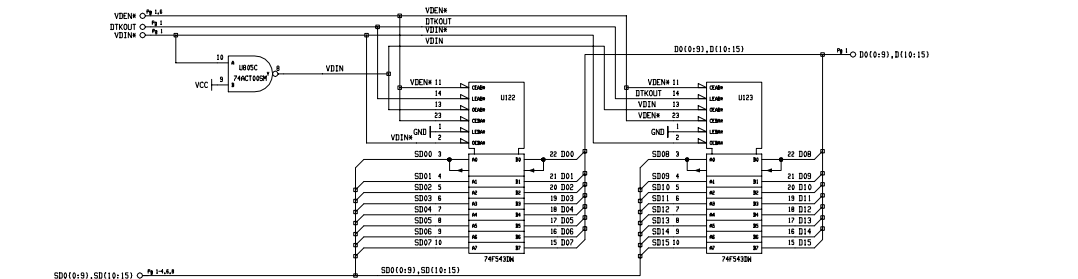
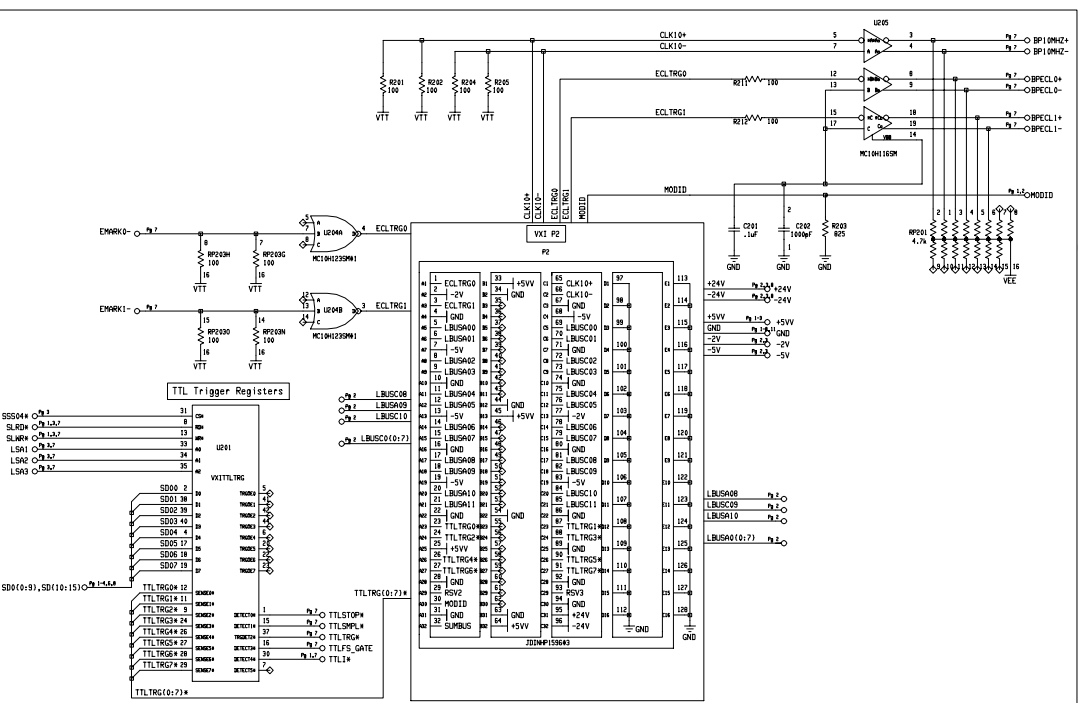


Agilent E1445A
Arbitrary Waveform Generator

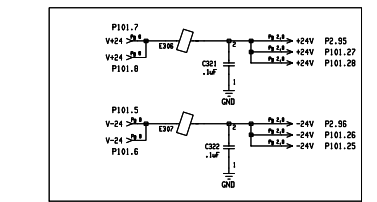
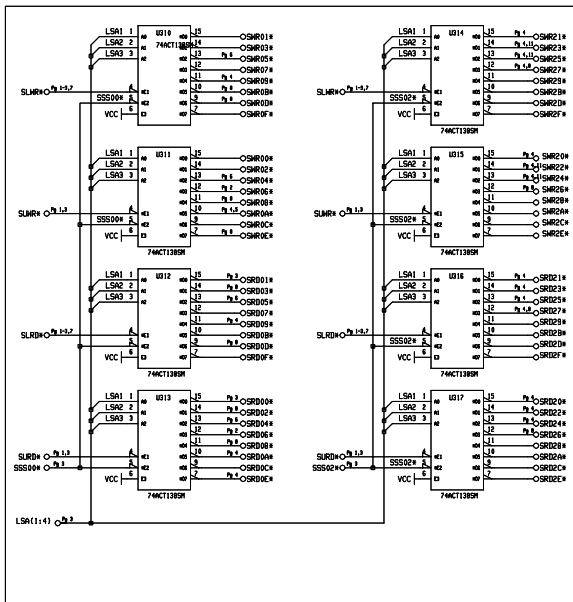
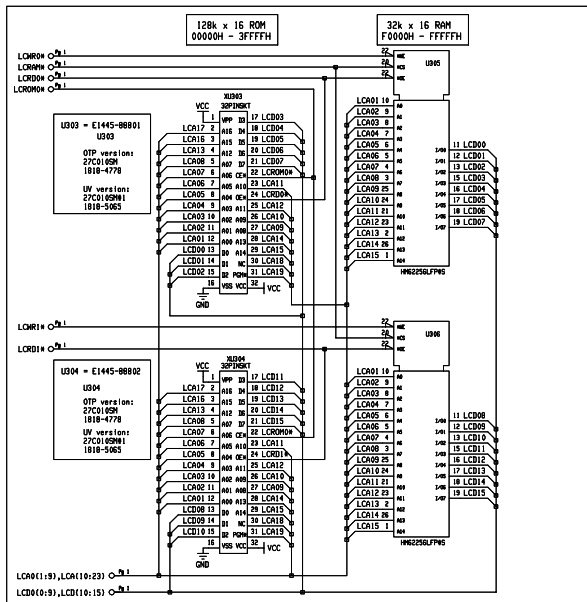
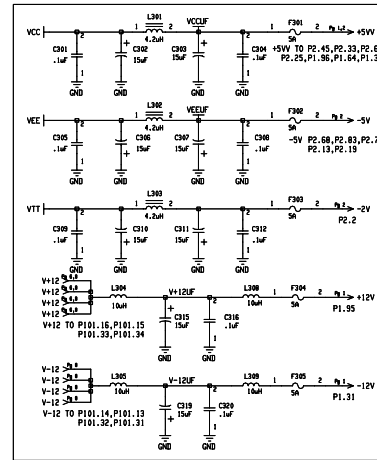
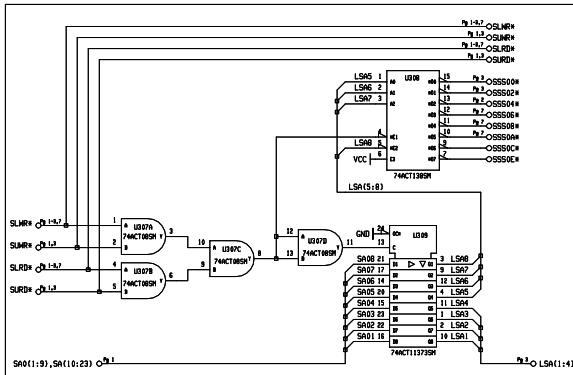
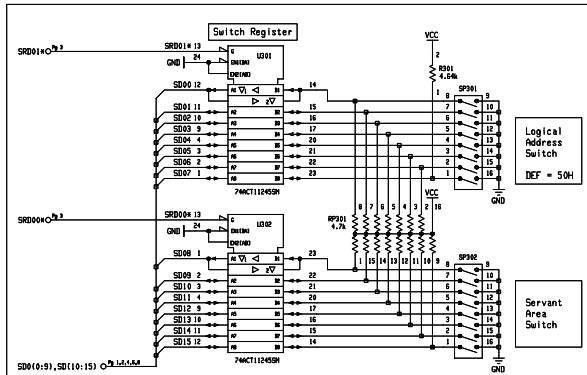
E1445-66511 Component Locator



Agilent E1445A
Arbitrary Waveform Generator
Backplane Interface (P1)



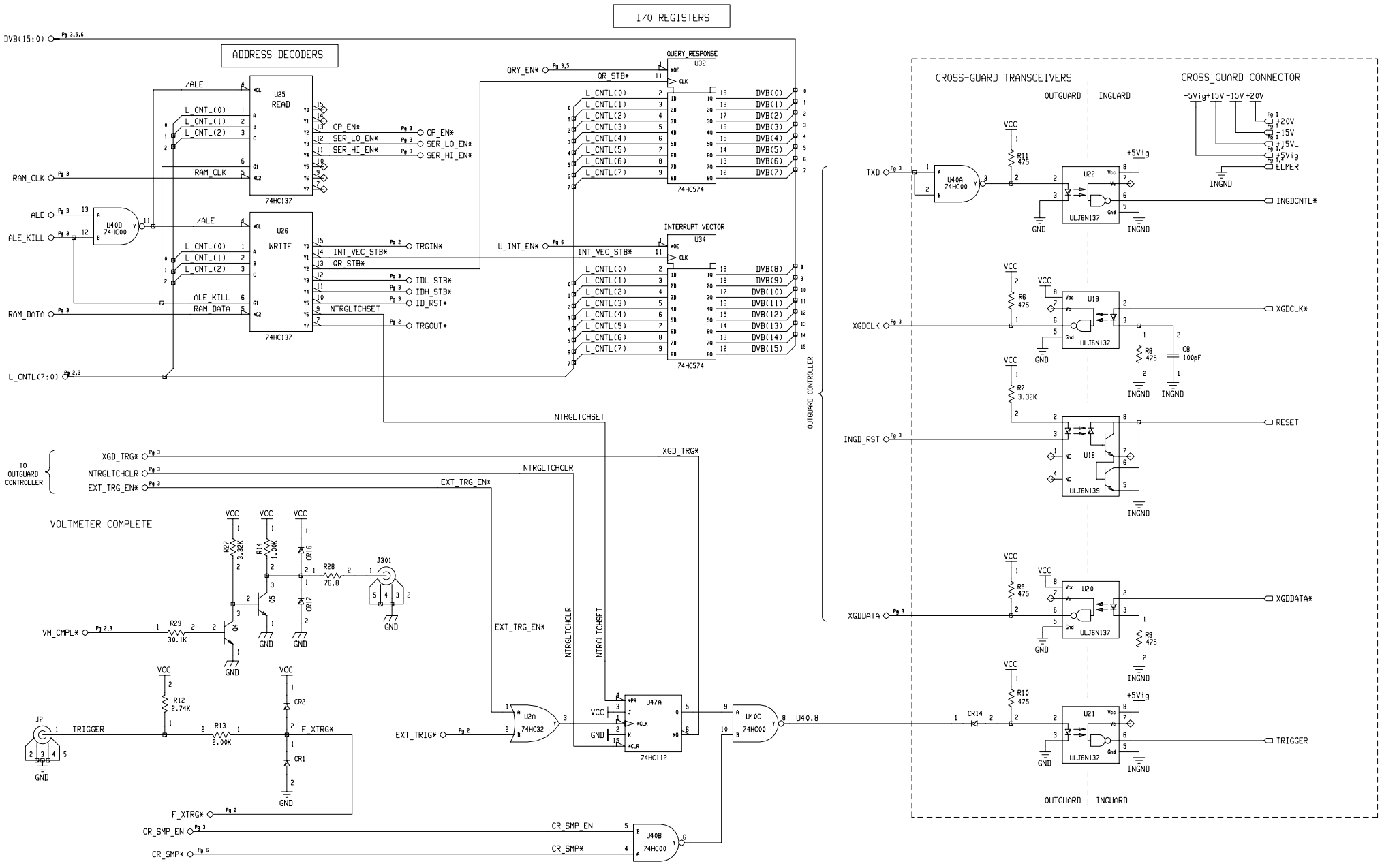
Agilent E1445A
Arbitrary Waveform Generator
Backplane Interface (P2)
E1445-66511 page 2 of 11



This page contains a series of repetitive text blocks, likely representing a corrupted or placeholder document. The text is mostly illegible and appears to be a series of repeated characters or symbols.

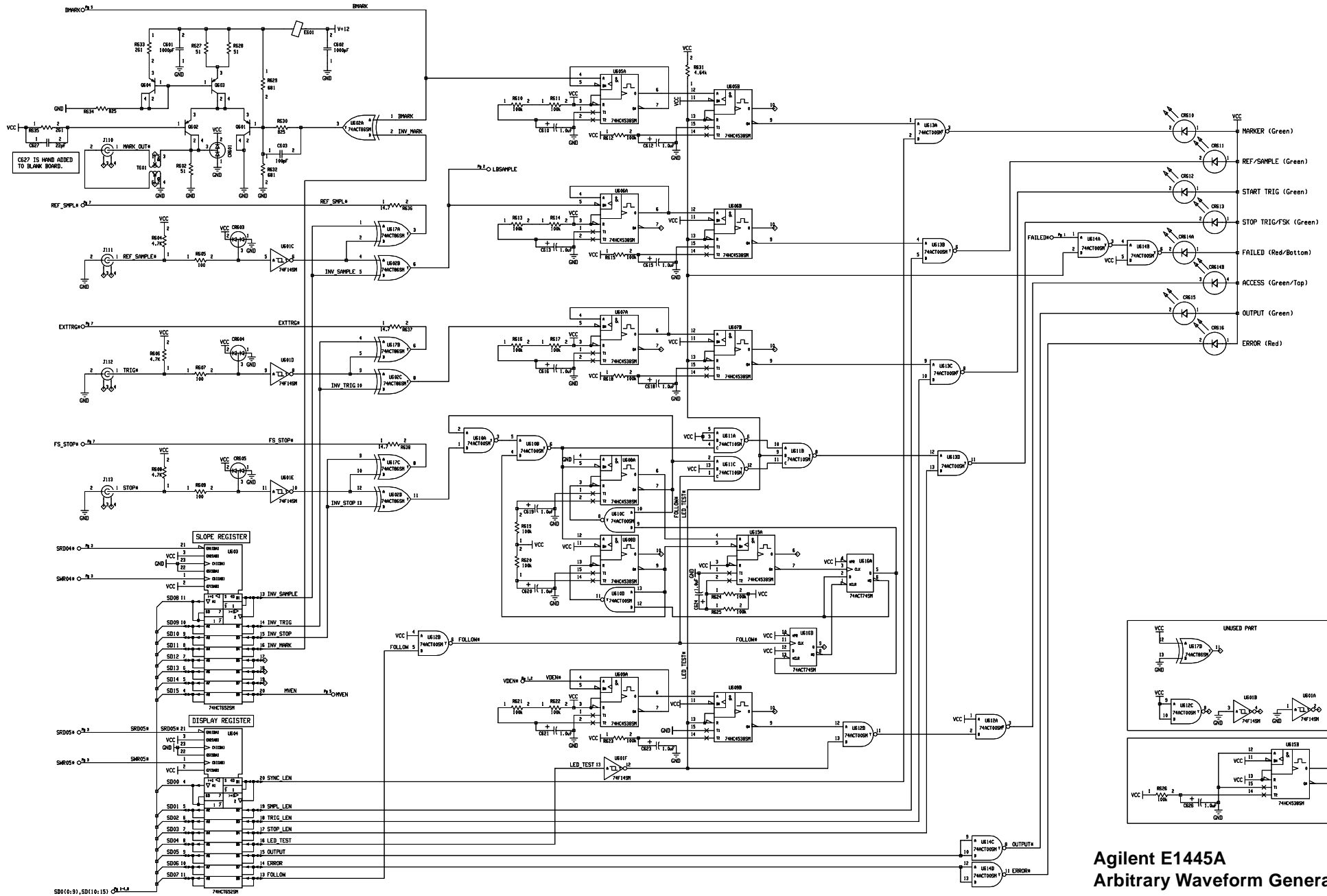
Agilent E1445A Arbitrary Waveform Generator

Backplane Periphery



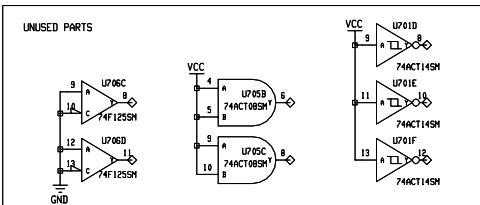
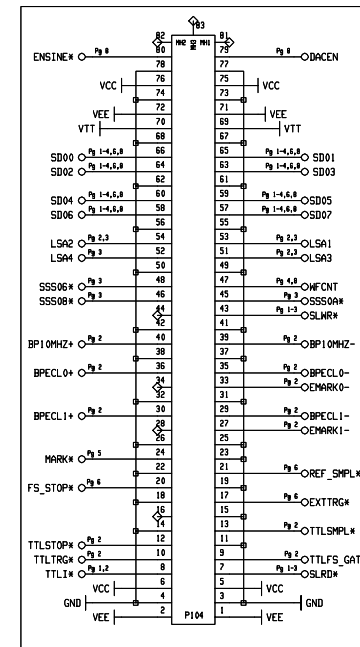
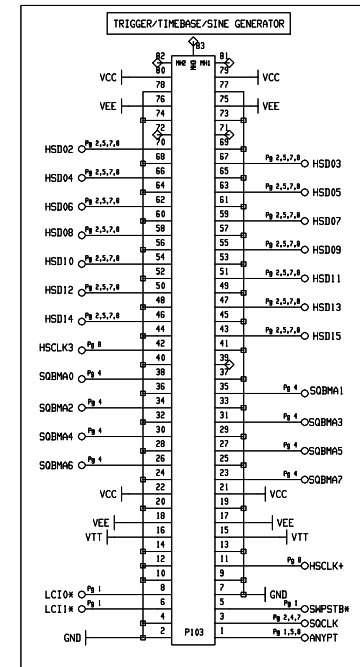
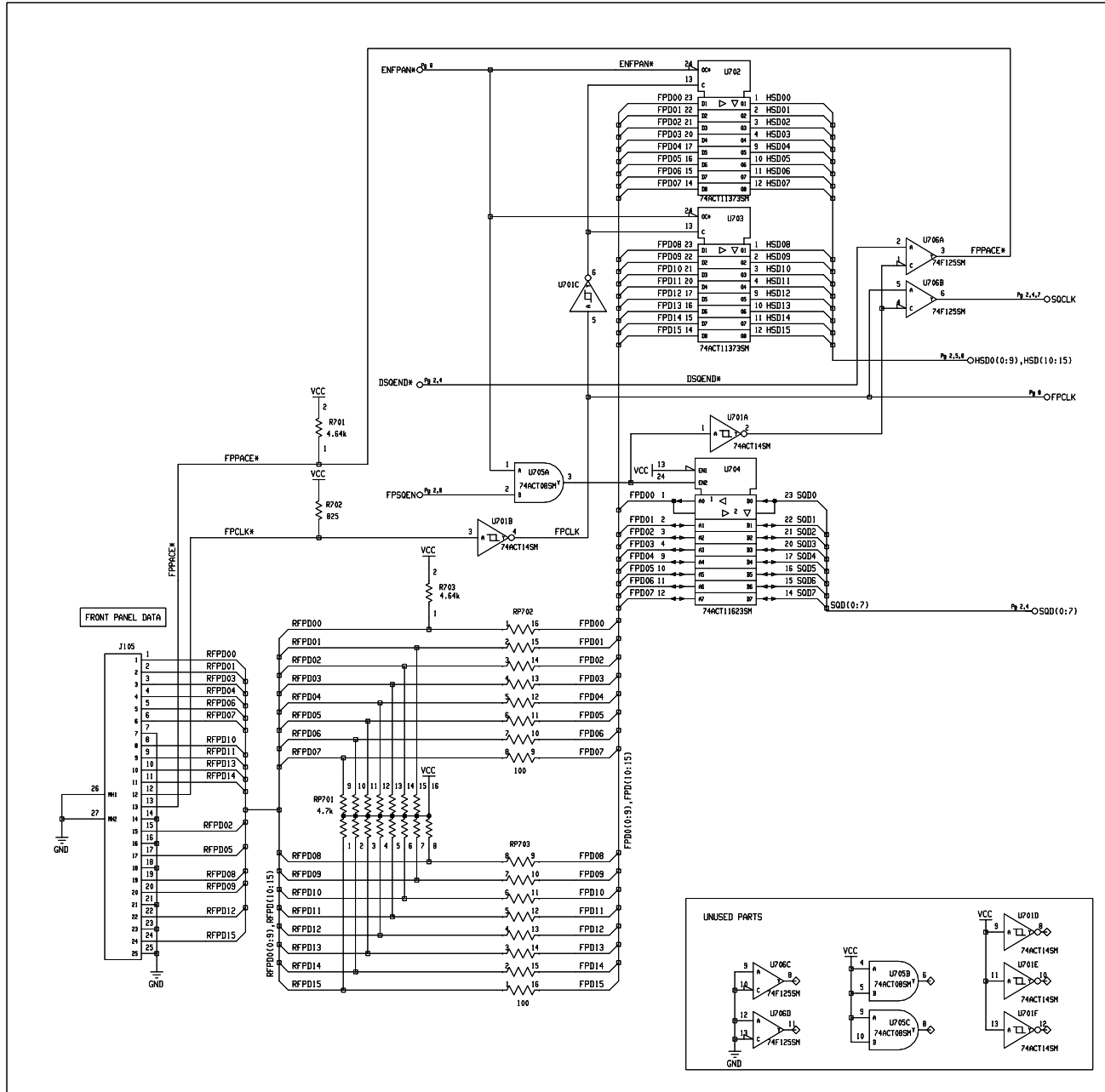
Agilent E1445A Arbitrary Waveform Generator

Sequencer



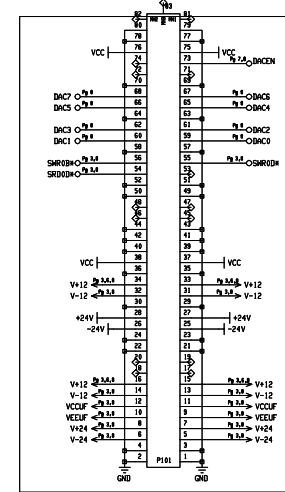
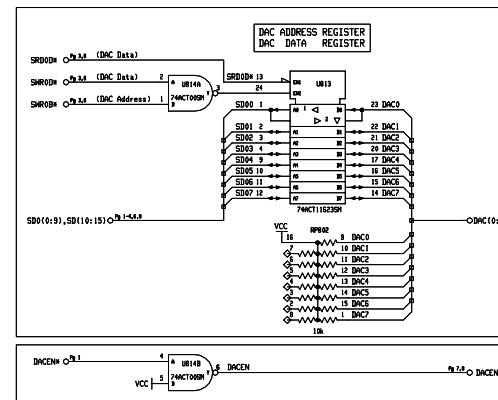
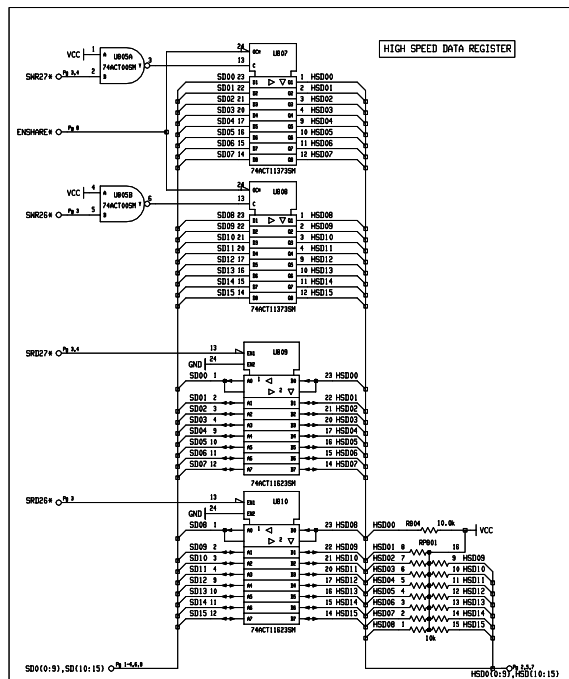
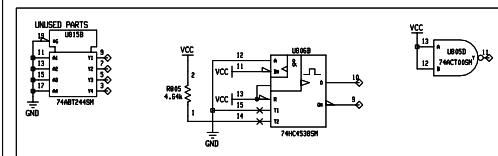
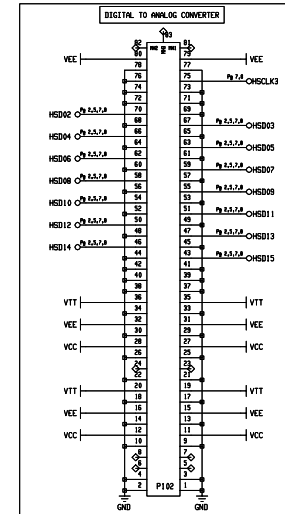
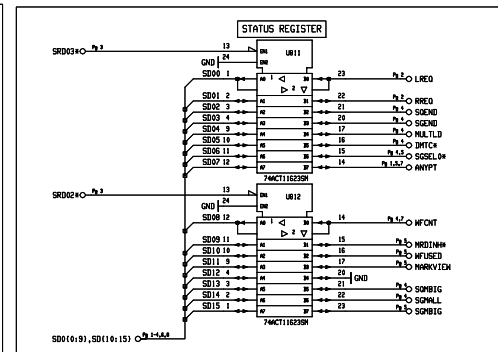
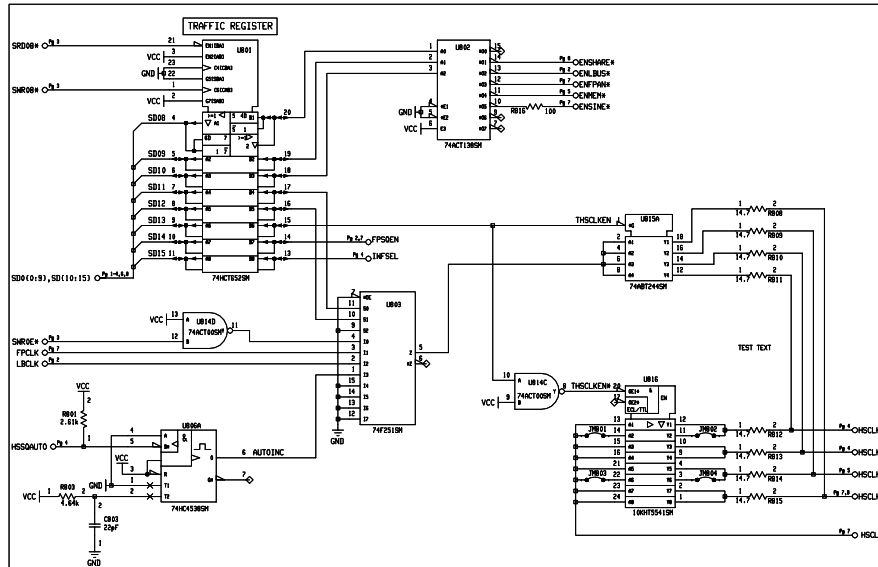
**Agilent E1445A
Arbitrary Waveform Generator**

Front Panel Display



**Agilent E1445A
Arbitrary Waveform Generator**

Front Panel Data Connector



Agilent E145A
Arbitrary Waveform Generator

Miscellaneous

C201	1	12650	-4775	C3044	1	5050	-5225	C3125	1	5550	-3325	JM501	1	5950	-5125	R624	8	1150	-2700	U207	8	11250	-6500	U514	8	5300	-7075
C202	1	12900	-4775	C3045	8	8875	-4950	C3126	1	6550	-3325	JM601	1	6950	-4600	R625	8	1150	-2700	U208	1	11250	-7450	U515	8	5300	-8025
C301	8	7300	-7300	C3046	1	2900	-5925	C3127	1	6550	-3325	JM602	1	7250	-4600	R626	8	450	-3050	U209	8	12250	-7550	U520	8	750	-7225
C302	8	7400	-7775	C3047	1	3750	-5925	C3128	1	6550	-4225	JM603	1	6950	-4200	R627	1	1550	-4250	U210	1	11250	-6600	U521	8	750	-8175
C303	8	7500	-8400	C3048	1	1050	-5600	C3129	1	5775	-4225	JM604	1	7250	-4200	R628	8	1350	-3500	U211	1	12050	-6600	U522	8	1400	-7225
C304	8	11550	-8200	C3049	8	8350	-6575	C3130	1	5925	-4225	L301	1	7450	-7550	R629	1	1150	-4525	U212	1	10400	-8050	U523	8	1400	-8175
C305	8	7300	-8075	C3050	8	10400	-6175	C3131	8	5100	-4300	L302	1	7450	-8150	R630	1	1300	-4675	U213	8	10400	-7450	U524	8	2050	-7225
C306	8	7400	-8525	C3051	1	4125	-6025	C3132	8	4400	-4300	L303	1	7200	-8300	R631	1	2150	-4825	U214	1	10400	-6625	U525	8	2950	-7225
C307	8	7500	-8725	C3052	1	11950	-7125	C3133	8	3700	-4300	L304	8	7150	-6325	R632	8	1425	-4275	U215	8	10400	-7450	U526	8	1400	-8175
C308	8	11850	-6200	C3053	1	10400	-7075	C3134	8	3000	-4300	L305	8	7800	-6275	R633	1	975	-4600	U216	1	9600	-5775	U527	8	2700	-8175
C309	8	7050	-800	C3054	1	11800	-8000	C3135	1	2100	-4225	L308	1	12025	-5875	R634	1	975	-4700	U217	8	11250	-7475	U530	8	3350	-7225
C310	8	7150	-825	C3055	8	8650	-800	C3136	1	8400	-4225	L309	8	11925	-5975	R635	8	1225	-400	U218	8	10400	-8050	U531	8	3350	-8175
C311	8	7225	-1250	C3056	1	8750	-2600	C3202	1	11300	-7025	P1	1	13036.6	-200	R636	8	1375	-5875	U219	1	9150	-1075	U532	8	4000	-7225
C312	1	11850	-8200	C3057	8	1075	-8500	C3203	8	9425	-7025	P2	1	13036.6	-6450	R637	8	1350	-5975	U220	8	9150	-1075	U533	8	4000	-1075
C315	8	7150	-8525	C3058	1	1075	-8550	C3204	8	11675	-6425	P101	1	7151	-6005	R638	8	1025	-6025	U301	1	2300	-1025	U534	8	4850	-7225
C316	8	11550	-6100	C3059	8	1725	-7250	C3205	8	10400	-8025	P102	1	7151	-2395	R701	8	475	-1000	U302	1	4900	-1025	U535	8	4850	-8175
C319	8	7800	-8525	C3060	8	1725	-8500	C3206	8	12125	-5500	P103	1	7791	-2795	R702	8	1800	-1400	U305	1	9950	-3825	U536	8	5300	-7225
C320	1	11850	-6100	C3061	8	2375	-8500	C3207	8	12300	-7125	P104	1	7791	-6905	R703	1	1400	-1625	U306	1	10800	-3825	U537	8	5300	-8175
C321	8	11800	-8450	C3062	8	2375	-7250	C3208	1	10400	-6175	O601	8	1475	-6075	R801	8	5000	-3050	U307	1	5050	-2850	U601	1	1125	-5400
C322	8	11800	-8550	C3063	8	3025	-7550	C3301	1	10400	-7075	O602	8	1600	-4075	R803	1	5550	-3150	U308	8	9050	-2025	U602	8	1125	-5400
C301	8	6350	-5800	C3064	8	3025	-8500	C3302	8	11325	-7950	O603	8	875	-4200	R804	1	4650	-2475	U309	1	9150	-1975	U603	8	2200	-3775
C301	8	1900	-4475	C3065	8	3675	-7550	C3303	8	9875	-7250	O604	8	875	-4825	R805	1	5800	-3150	U310	1	8450	-1775	U604	1	2200	-3775
C602	8	875	-4850	C3066	8	3675	-8500	C3401	8	7025	-6125	R101	1	9000	-8100	R808	1	7650	-4900	U311	8	8450	-1775	U605	1	2100	-5375
C603	1	1275	-4500	C3067	8	4325	-7550	C3402	8	7025	-5200	R102	8	10375	-3650	R809	1	7650	-4400	U312	1	8450	-1225	U606	1	2100	-5375
C610	1	1750	-4400	C3068	8	4325	-6500	C3403	8	7650	-5875	R103	1	10375	-3250	R810	1	7650	-4500	U313	8	8450	-1225	U607	1	2100	-6175
C612	8	2425	-4500	C3069	8	4975	-7550	C3404	8	7650	-5150	R104	8	10375	-3550	R811	1	7650	-4600	U314	1	8450	-2325	U608	1	800	-2825
C613	8	1750	-5200	C3070	8	4975	-8500	C3405	8	7025	-2925	R105	8	10375	-3450	R812	1	7250	-4700	U315	8	8450	-2325	U609	1	800	-3725
C615	8	2425	-5400	C3071	8	5825	-7550	C3406	8	7025	-3325	R106	1	9300	-1525	R813	1	7250	-4500	U316	1	8450	-2875	U610	1	2200	-2800
C616	8	1750	-8000	C3072	8	5825	-8500	C3407	8	7675	-3250	R107	1	9300	-4300	R814	1	7250	-4300	U317	8	8450	-2875	U611	8	1500	-3700
C618	8	2425	-6100	C3073	8	6075	-7550	C3408	8	7275	-3325	R108	8	9700	-450	R815	1	7250	-4100	U401	1	4300	-2800	U612	1	1500	-2800
C619	8	450	-2300	C3074	8	6825	-7450	C3409	8	7675	-1800	R109	8	10450	-450	R816	1	7250	-4700	U402	1	2900	-3775	U613	1	1500	-3700
C620	8	1150	-3000	C3075	8	6300	-6500	C3410	8	7925	-1800	R110	8	10450	-4900	R817	1	10000	-4625	U403	1	3600	-3775	U614	1	1500	-3700
C621	8	450	-3550	C3076	8	6300	-6600	C3411	8	7925	-1800	R111	8	10450	-250	RP102	8	8525	-4775	U404	1	4300	-3775	U615	8	800	-2825
C623	8	1125	-3625	C3077	8	1575	-900	C3412	8	7925	-5200	R112	8	10450	-350	RP103	8	9200	-4775	U405	1	5000	-3775	U616	8	1500	-2800
C624	8	1150	-2400	C3078	8	1575	-900	C3413	8	7925	-5200	R113	8	10450	-1525	RP104	1	9200	-4775	U406	1	2900	-3775	U617	8	1125	-5800
C626	8	450	-3200	C3079	8	2275	-900	C3414	8	7275	-6125	R114	8	11700	-1525	RP201	1	8400	-6225	U407	1	5000	-1975	U618	1	2700	-1050
C627	8	1295.1	-4132.8	C3080	8	3050	-1000	C3415	8	7275	-5200	R115	1	9000	-6200	RP202	1	8600	-7425	U408	1	4300	-1975	U619	1	2200	-1975
C303	1	5325	-3150	C3081	8	3700	-850	C3416	8	7275	-2925	R116	1	7950	-4075	RP303	1	11250	-6125	U409	8	2900	-3775	U620	1	2200	-1975
C3001	8	11875	-700	C3082	1	4450	-1000	C3601	1	1250	-4075	R201	8	12125	-5200	RP304	1	10400	-7475	U410	8	5000	-3775	U704	1	3600	-1575
C3002	8	11825	-700	C3083	1	900	-1625	C3602	1	1500	-4900	R202	8	12125	-5100	RP301	1	3600	-1025	U411	8	3600	-3725	U705	1	1500	-1050
C3003	1	12100	-1525	C3084	1	2350	-1525	C3603	1	1500	-3850	R203	1	11800	-6300	RP701	1	800	-1975	U412	8	4300	-3725	U706	1	800	-1050
C3004	1	12400	-2425	C3085	1	2050	-1525	C3604	1	1525	-6425	R204	1	12125	-5400	RP702	1	1500	-1975	U414	1	5000	-2800	U801	1	6375	-2825
C3005	1	12400	-3325	C3086	1	3050	-1525	C3610	1	-20.9	-3598.7	R205	8	12125	-5300	RP703	8	1500	-1975	U415	1	3950	-5550	U802	8	6400	-2075
C3006	1	8775	-1550	C3087	1	4150	-1525	C3611	1	-20.9	-4448.7	R206	8	10825	-6325	RP801	8	6325	-2825	U416	1	4500	-5575	U803	1	6400	-2075
C3007	1	11700	-1525	C3088	1	3450	-1525	C3612	1	-20.9	-5298.7	R207	8	10025	-7375	RP901	8	6400	-4675	U417	1	5050	-5575	U805	1	5700	-2800
C3008	1	11700	-2425	C3089	1	3750	-1525	C3613	1	-20.9	-6148.7	R208	1	9700	-7025	SP301	1	3500	-200	U418	8	5050	-5575	U806	8	5700	-2825
C3009	1	11700	-3325	C3090	1	4450	-1525	C3614	1	-20.9	-500	R209	8	9700	-7100	SP302	1	4600	-200	U419	1	2850	-5575	U807	1	6375	-3775
C3010	8	9900	-6100	C3091	1	5150	-1525	C3615	1	-20.9	-6998.7	R210	1	9875	-7175	U101	1	650	-4350	U420	8	2850	-5575	U808	8	6375	-3775
C3011	8	10300	-600	C3092	1	3700	-1725	C3616	1	-20.9	-700	R211	1	12650	-5400	U102	1	8850	-5100	U421	1	3400	-5575	U809	1	5700	-3775
C3012	1	9250	-625	C3093	1	6400	-1725	DL201	1	10000	-8400	R212	1	12650	-5300	U103	8	8425	-6200	U422	8	3400	-5575	U810	8	5700	-3775
C3013	1	8175	-2075	C3094	1	4500	-5225	DL501	1	800	-3200	R301	8	3050	-800	U104	8	10800	-3775	U423	8	4500	-5575	U811	1	5700	-4675
C3014	1	8175	-3625	C3095	1	5225	-2475	E306	8	7300	-7100	R401	8	5950	-5225	U105	1	850	-5375	U424	1	4300	-6375	U812	8	5700	-4675
C3015	1	9000	-1525	C3096	8	6225	-2475	E307	8	7000	-7100	R402	8	5600	-5125	U106	1	99									

XU304	Pg03	U537	Pg11	U406	Pg04	U116	Pg01	R637	Pg06	JM804	Pg08	C3120	Pg03	C3030	Pg03
XU303	Pg03	U536	Pg11	U405	Pg04	U115	Pg01	R636	Pg06	JM803	Pg08	C3119	Pg03	C3029	Pg03
US255	Pg05	U535	Pg11	U404	Pg04	U114	Pg01	R635	Pg06	JM802	Pg08	C3118	Pg03	C3028	Pg03
UR16	Pg08	U534	Pg11	U403	Pg04	U113	Pg01	R634	Pg06	JM801	Pg08	C3117	Pg03	C3027	Pg03
UR15 B	Pg08	U533	Pg11	U402	Pg04	U112	Pg01	R633	Pg06	JM501	Pg05	C3116	Pg03	C3026	Pg03
UR15 A	Pg08	U532	Pg11	U401 F	Pg04	U111	Pg01	R632	Pg06	JM405	Pg04	C3115	Pg03	C3025	Pg03
UR14 D	Pg08	U531	Pg11	U401 E	Pg04	U110	Pg01	R631	Pg06	JM404	Pg04	C3114	Pg03	C3024	Pg03
UR14 C	Pg08	U530	Pg11	U401 D	Pg04	U109	Pg01	R630	Pg06	JM403	Pg04	C3113	Pg03	C3023	Pg03
UR14 B	Pg08	U529	Pg05	U401 C	Pg04	U108	Pg01	R629	Pg06	JM402	Pg04	C3112	Pg03	C3022	Pg03
UR14 A	Pg08	U528	Pg05	U401 B	Pg04	U107	Pg01	R628	Pg06	JM401	Pg04	C3111	Pg03	C3021	Pg03
UR13	Pg08	U527	Pg11	U401 A	Pg04	U106	Pg01	R627	Pg06	JM205	Pg02	C3110	Pg03	C3020	Pg03
UR12	Pg08	U526	Pg11	U317	Pg03	U105	Pg01	R626	Pg06	JM204	Pg02		Pg03	C3019	Pg03
UR11	Pg08	U525	Pg11	U316	Pg03	U104	Pg01	R625	Pg06	JM203	Pg02		Pg03	C3018	Pg03
UR10	Pg08	U524	Pg11	U315	Pg03	U103	Pg01	R624	Pg06	JM202	Pg02		Pg03	C3017	Pg03
UR09	Pg08	U523	Pg11	U314	Pg03	U102 D	Pg01	R623	Pg06	JM201	Pg02		Pg03	C3016	Pg03
UR08	Pg08	U522	Pg11	U313	Pg03	U102 C	Pg01	R622	Pg06	J113	Pg06		Pg03	C3015	Pg03
UR07	Pg08	U521	Pg11	U312	Pg03	U102 B	Pg01	R621	Pg06	J112	Pg06		Pg03	C3014	Pg03
UR06 B	Pg08	U520	Pg11	U311	Pg03	U102 A	Pg01	R620	Pg06	J111	Pg06		Pg03	C3013	Pg03
UR06 A	Pg08	U515	Pg05	U310	Pg03	U101	Pg01	R619	Pg06	J110	Pg06		Pg03	C3012	Pg03
UR05 D	Pg08	U514	Pg05	U309	Pg03	U25	Pg05	R618	Pg06	J106	Pg01		Pg03	C3011	Pg03
UR05 C	Pg02	U513	Pg05	U308	Pg03	U25	Pg05	R617	Pg06	J105	Pg07		Pg03	C3010	Pg03
UR05 B	Pg08	U512	Pg05	U307 D	Pg03	U14	Pg05	R616	Pg06	J104	Pg01		Pg03	C3009	Pg03
UR05 A	Pg08	U511 B	Pg05	U307 C	Pg03	U13	Pg05	R615	Pg06	J103	Pg01		Pg03	C3008	Pg03
UR03	Pg08	U511 A	Pg05	U307 B	Pg03	U12	Pg05	R614	Pg06	J102	Pg01		Pg03	C3007	Pg03
UR02	Pg08	U510 D	Pg05	U307 A	Pg03	U11	Pg05	R613	Pg06	J101	Pg01		Pg03	C3006	Pg03
UR01	Pg08	U510 C	Pg05	U306	Pg03	U10	Pg05	R612	Pg06	J3	Pg01		Pg03	C3005	Pg03
U706 D	Pg07	U510 B	Pg05	U305	Pg03	U9	Pg05	R611	Pg06	F305	Pg03		Pg03	C3004	Pg03
U706 C	Pg07	U510 A	Pg05	U302	Pg03	U8	Pg05	R610	Pg06	F304	Pg03		Pg03	C3003	Pg03
U706 B	Pg07	U509	Pg05	U301	Pg03	U4	Pg05	R609	Pg06	F303	Pg03		Pg03	C3002	Pg03
U706 A	Pg07	U508	Pg05	U220	Pg02	U2	Pg05	R608	Pg06	F302	Pg03		Pg03	C3001	Pg03
U705 D	Pg04	U507	Pg05	U219	Pg02	U1	Pg05	R607	Pg06	F301	Pg03		Pg03	C091	Pg08
U705 C	Pg07	U506 D	Pg05	U218 D	Pg02	T601	Pg06	R606	Pg06	E601	Pg03		Pg03	C627	Pg06
U705 B	Pg07	U506 C	Pg05	U218 C	Pg02	SP302	Pg03	R605	Pg06	E601	Pg06		Pg03	C626	Pg06
U705 A	Pg07	U506 B	Pg05	U218 B	Pg02	SP301	Pg03	R604	Pg06	E307	Pg03		Pg03	C624	Pg06
U704	Pg07	U506 A	Pg05	U218 A	Pg02	RP802	Pg08	R603	Pg06	E306	Pg03		Pg03	C623	Pg06
U703	Pg07	U505 C	Pg05	U217	Pg02	RP801	Pg08	R602	Pg06	DL501	Pg05		Pg03	C621	Pg06
U702	Pg07	U505 B	Pg05	U216	Pg02	RP703	Pg07	R506	Pg05	DL501	Pg05		Pg03	C620	Pg06
U701 F	Pg07	U505 A	Pg05	U215	Pg02	RP702	Pg07	R505	Pg05	DL201	Pg02		Pg03	C619	Pg06
U701 E	Pg07	U504 D	Pg05	U214	Pg02	RP701	Pg07	R504	Pg05	CR616	Pg06		Pg03	C618	Pg06
U701 D	Pg07	U504 C	Pg05	U213	Pg02	RP301	Pg03	R503	Pg05	CR615	Pg06		Pg03	C616	Pg06
U701 C	Pg07	U504 B	Pg05	U212 D	Pg02	RP204 O	Pg02	R502	Pg05	CR614 B	Pg06		Pg03	C615	Pg06
U701 B	Pg07	U504 A	Pg05	U212 C	Pg02	RP204 N	Pg02	R501	Pg05	CR614 A	Pg06		Pg03	C613	Pg06
U701 A	Pg07	U503	Pg05	U212 B	Pg02	RP204 M	Pg02	R403	Pg04	CR613	Pg06		Pg03	C612	Pg06
U627	Pg05	U502	Pg05	U212 A	Pg02	RP204 L	Pg02	R402	Pg04	CR612	Pg06		Pg03	C610	Pg06
UR17 D	Pg06	U501	Pg05	U211 D	Pg02	RP204 K	Pg02	R401	Pg04	CR611	Pg06		Pg03	C603	Pg06
UR17 C	Pg06	U453	Pg04	U211 C	Pg02	RP204 J	Pg02	R301	Pg03	CR610	Pg06		Pg03	C602	Pg06
UR17 B	Pg06	U452	Pg04	U211 B	Pg02	RP204 I	Pg02	R212	Pg02	CR605	Pg06		Pg03	C601	Pg06
UR17 A	Pg06	U451	Pg04	U211 A	Pg02	RP204 H	Pg02	R211	Pg02	CR604	Pg06		Pg03	C501	Pg05
UR16 B	Pg06	U450	Pg04	U210 D	Pg02	RP204 G	Pg02	R210	Pg02	CR603	Pg06		Pg03	C322	Pg03
UR16 A	Pg06	U443	Pg11	U210 C	Pg02	RP204 F	Pg02	R209	Pg02	CR601	Pg06		Pg03	C321	Pg03
UR15 B	Pg06	U442	Pg11	U210 B	Pg02	RP204 E	Pg02	R208	Pg02	C3415	Pg03		Pg03	C320	Pg03
UR15 A	Pg06	U441	Pg11	U210 A	Pg02	RP204 D	Pg02	R207	Pg02	C3415	Pg03		Pg03	C319	Pg03
UR14 D	Pg06	U440	Pg11	U209 D	Pg02	RP204 C	Pg02	R206	Pg02	C3414	Pg03		Pg03	C316	Pg03
UR14 C	Pg06	U436 B	Pg04	U209 C	Pg02	RP204 B	Pg02	R205	Pg02	C3413	Pg03		Pg03	C315	Pg03
UR14 B	Pg06	U436 A	Pg04	U209 B	Pg02	RP204 A	Pg02	R204	Pg02	C3412	Pg03		Pg03	C312	Pg03
UR14 A	Pg06	U435 B	Pg04	U209 A	Pg02	RP203 O	Pg02	R203	Pg02	C3411	Pg03		Pg03	C307	Pg03
UR13 D	Pg06	U435 A	Pg04	U208 D	Pg02	RP203 N	Pg02	R202	Pg02	C3410	Pg03		Pg03	C306	Pg03
UR13 C	Pg06	U434	Pg04	U208 C	Pg02	RP203 M	Pg02	R201	Pg02	C3409	Pg03		Pg03	C310	Pg03
UR13 B	Pg06	U433 B	Pg04	U208 B	Pg02	RP203 L	Pg02	R116	Pg01	C3408	Pg03		Pg03	C309	Pg03
UR13 A	Pg06	U433 A	Pg04	U208 A	Pg02	RP203 K	Pg02	R115	Pg01	C3407	Pg03		Pg03	C308	Pg03
UR12 D	Pg06	U432 B	Pg04	U207 E	Pg02	RP203 J	Pg02	R114	Pg01	C3406	Pg03		Pg03	C307	Pg03
UR12 C	Pg06	U432 A	Pg04	U207 D	Pg02	RP203 I	Pg02	R113	Pg01	C3405	Pg03		Pg03	C306	Pg03
UR12 B	Pg06	U431 B	Pg04	U207 C	Pg02	RP203 H	Pg02	R112	Pg01	C3404	Pg03		Pg03	C305	Pg03
UR12 A	Pg06	U431 A	Pg04	U207 B	Pg02	RP203 G	Pg02	R111	Pg01	C3403	Pg03		Pg03	C304	Pg03
UR11 C	Pg06	U430 D	Pg04	U207 A	Pg02	RP203 F	Pg02	R110	Pg01	C3402	Pg03		Pg03	C303	Pg03
UR11 B	Pg06	U430 C	Pg04	U206	Pg02	RP203 E	Pg02	R109	Pg01	C3401	Pg03		Pg03	C302	Pg03
UR11 A	Pg06	U430 B	Pg04	U205	Pg02	RP203 D	Pg02	R108	Pg01	C3303	Pg03		Pg03	C301	Pg03
UR10 D	Pg06	U430 A	Pg04	U204 C	Pg02	RP203 C	Pg02	R107	Pg01	C3302	Pg03		Pg03	C202	Pg02
UR10 C	Pg06	U429	Pg04	U204 B	Pg02	RP203 B	Pg02	R106	Pg01	C3301	Pg03		Pg03	C201	Pg02
UR10 B	Pg06	U428	Pg04	U204 A	Pg02	RP203 A	Pg02	R105	Pg01	C3208	Pg03		Pg03		
UR10 A	Pg06	U427	Pg04	U201	Pg02	RP202	Pg02	R104	Pg01	C3207	Pg03		Pg03		
UR09 B	Pg06	U426	Pg04	U129 B	Pg01	RP201	Pg01	R103	Pg01	C3206	Pg03		Pg03		
UR09 A	Pg06	U425	Pg04	U129 A	Pg01	RP104	Pg01	R102	Pg01	C3205	Pg03		Pg03		
UR08 B	Pg06	U424	Pg04	U128	Pg01	RP103	Pg01	R101	Pg01	C3204	Pg03		Pg03		
UR08 A	Pg06	U423	Pg04	U127 B	Pg01	RP102	Pg01	0604	Pg06	C3203	Pg03		Pg03		
UR07 B	Pg06	U422	Pg04	U127 A	Pg01	RP101	Pg01	0603	Pg06	C3202	Pg03		Pg03		
UR07 A	Pg06	U421	Pg04	U126	Pg01	R816	Pg08	0602	Pg06	C3201	Pg03		Pg03		
UR06 B	Pg06	U420	Pg04	U125	Pg01	R815	Pg08	0601	Pg06	C3135	Pg03		Pg03		
UR06 A	Pg06	U419	Pg04	U124	Pg01	R814	Pg08	P104	Pg07	C3134	Pg03		Pg03		
UR05 B	Pg06	U418	Pg04	U123	Pg02	R813	Pg08	P103	Pg07	C3133	Pg03		Pg03		
UR05 A	Pg06	U417	Pg04	U122	Pg02	R812	Pg08	P102	Pg08	C3132	Pg03		Pg03		
UR04	Pg06	U416	Pg04	U121	Pg01	R811	Pg08	P101	Pg08	C3131	Pg03		Pg03		
UR03	Pg06	U415 C	Pg01	U120 B	Pg01	R810	Pg08	P2	Pg02	C3130	Pg03		Pg03		
UR02 D	Pg06	U415 B	Pg04	U120 A	Pg01	R809	Pg08	P1	Pg01	C3129	Pg03		Pg03		
UR02 C	Pg06	U415 A	Pg04	U119 D	Pg01	R808	Pg08	L309	Pg03	C3128	Pg03		Pg03		
UR02 B	Pg06	U414 B	Pg04	U119 C	Pg01	R807	Pg08	L308	Pg03	C3127	Pg03		Pg03		
UR02 A	Pg06	U414 A	Pg04	U119 B	Pg01	R805	Pg08	L305	Pg03	C3126	Pg03		Pg03		
UR01 F	Pg06	U412	Pg04	U119 A	Pg01	R804	Pg08	L304	Pg03	C3125	Pg03		Pg03		
UR01 E	Pg06	U411	Pg04	U118 D	Pg01	R803	Pg08	L303	Pg03	C3124	Pg03		Pg03		
UR01 D	Pg06	U410	Pg04	U118 C	Pg01	R801	Pg08	L302	Pg03	C3123	Pg03		Pg03		
UR01 C	Pg06	U409	Pg04	U118 B	Pg01	E703	Pg07	L301	Pg03	C3122	Pg03		Pg03		
UR01 B	Pg06	U408	Pg04	U118 A	Pg01	R702	Pg07			C3121	Pg03		Pg03		
UR01 A	Pg06	U407	Pg04	U117	Pg01</										

E1445-66511 Parts List

Reference Designator	Quantity	Agilent Part Number	Description	MPN	Manufacturer
BAG1	1	9222-1368	BAG-STAT-SHLD POLYM/MET ALY/POLYM FLM	1915 8000 9222-1368 9222-1368 9222-1368 9222-1368 STRATO GREY	3M SIMCO FORCEFIELD STATIC MANAGEMENT SPECIALTY ENTERPRISES STATIC CONTROL COMPONENTS SWIFTMODE BAY PACKAGING
C201	1	0160-6222	CAP-FXD 0.1uF +-10pct 50 V CER X7R	12105C104KAT A C1210C104K5RAC C3225X7R1H104K GRM32MR71H104KA01 L VJ1210Y104KXAMT	AVX KEMET ELECTRONICS TDK MURATA MANUFACTURING VISHAY
C202, C3401-C3416, C601, C602	19	0160-6731	CAP-FXD 1000pF +-10pct 50 V CER X7R	12065C102KAT A C1206C102K5RAC C3216X7R1H102K GRM316R71H102KD01 D	AVX KEMET ELECTRONICS TDK MURATA MANUFACTURING
C3001-C3135, C3201-C3208, C3301-C3303, C501	147	0160-6736	CAP-FXD 0.01uF +-10pct 50 V CER X7R	12065C103KAT A C1206C103K5RAC C3216X7R1H103K GRM316R71H103KD01 D VJ1206Y103KXAMT	AVX KEMET ELECTRONICS TDK MURATA MANUFACTURING VISHAY
C301, C304, C305, C308, C309, C312, C316, C320, C321, C322	10	0160-6497	CAP-FXD 0.1uF +-10pct 50 V CER X7R	12065C104KAT A 2238 581 15649 C1206C104K5RAC C3216X7R1H104KT GRM319R71H104KA01 D VJ1206Y104KXAMT	AVX YAGEO KEMET ELECTRONICS TDK MURATA MANUFACTURING VISHAY
C302, C303, C306, C307, C310, C311, C315, C319	8	0180-3922	CAP-FXD 15uF +-20PCT 20V TA	TAJD156M020 NRD156M20R12	AVX NEC ELECTRONICS

E1445-66511 Parts List

Reference Designator	Quantity	Agilent Part Number	Description	MPN	Manufacturer
C603	1	0160-5967	CAP-FXD 100pF +-5pct 50 V CER COG	08055A101JAT A C0805C101J5GAC C2012COG1H101J GRM2165C1H101JA01 D VJ0805A101JXAMT	AVX KEMET ELECTRONICS TDK MURATA MANUFACTURING VISHAY
C610, C612, C613, C615, C616, C618, C619, C620, C621, C623, C624, C626	12	0180-3751	CAP-FXD 1uF +-20PCT 35V TA	TAJB105M035 293D105X0035B2E3 ESVB21V105M SK-1V105M-RB	AVX VISHAY NEC ELECTRONICS ELNA
C627, C803	2	0160-5961	CAP-FXD 22pF +-5pct 50 V CER COG	08055A220JAT A C0805C220J5GAC C2012COG1H220J GRM2165C1H220JD01 D VJ0805A220JXAMT	AVX KEMET ELECTRONICS TDK MURATA MANUFACTURING VISHAY
CR601, CR603, CR604, CR605	4	1906-0291	DIODE-DUAL 70V 100MA T0-236AA	BAV99 BAV99 BAV99LT1G BAV99____X_ BAV99	PHILIPS FAIRCHILD SEMICONDUCTOR ON SEMICONDUCTOR INFINEON TECHNOLOGIES NXP
CR610-CR613, CR615	5	1990-1448	LED-LAMP ARRAY LUM-INT=1.5MCD	553-0302	DIALIGHT
CR614	1	1990-1364	LED-LAMP ARRAY LUM-INT=800UCD	553-0321	DIALIGHT
CR616	1	1990-1507	LED-LAMP LUM-INT=800UCD IF=20MA-MAX	553-0301	DIALIGHT
DL201	1	1810-1609	DELAY LINE PASSIVE DEVICE W/SINGLE		
DL501	1	1810-1515	DELAY LINE PASSIVE DEVICE W/SINGLE		
E306, E307, E601	3	9170-1421	CORE-SHIELDING BEAD IMAX 1500MA	MI1210K600R-10	STEWARD
F301-F305	5	2110-0699	FUSE-SUBMINIATURE 5A 125V NTD AX UL-LST	0251005.	LITTELFUSE

E1445-66511 Parts List

Reference Designator	Quantity	Agilent Part Number	Description	MPN	Manufacturer
HDW1-HDW9	9	0380-1234	SPACER-PRESS-IN 0.500 IN LG; 0.143 IN ID	KFE-143-16-ZI	PENN ENGINEERING & MFG
J101-J104, J106	5	1252-6555	CONN-POST TYPE .100-PIN-SPCG-MTG-END	HTSW-103-07-S-S-LL	SAMTEC
J105	1	1252-1201	CONN-RECT D-SUBMIN 25-CKT 25-CONT	5788800-1 DM11323-D4	TYCO ELECTRONICS AMP HON HAI PRECISION INDUSTRY
J110-J113	4	1250-2012	CONNECTOR-RF BNC FEMALE PC-W-STDFS	5227676-1	TYCO ELECTRONICS AMP
J2, J3	2	1251-5150	CONN-HDR VERT 12-PIN 2.54MM 2-ROW	67996-112HLF	FCI FRAMATOME BERG
JM1, JM2, JM3, JM4, JM5, JM6, JM7	7	1258-0209	JUMPER-REMOVABLE 2 POSITION; .250 IN	68786-202LF 382811-6	FCI FRAMATOME BERG TYCO ELECTRONICS AMP
JM203, JM204, JM402, JM403, JM405, JM501, JM801-JM804	10	0699-1503	RESISTOR 0 CWM	CRCW12060000ZSE_ RK73Z2BT MCR18___J000 232271191005	VISHAY KOA ROHM YAGEO
L301, L302, L303	3	9140-1935	INDUCTOR 4.2uH +20pct -20pct	PE-53681	TECHNITROL
L304, L305, L308, L309	4	9140-1113	INDUCTOR 10uH +-5pct 3.4W-mmX4.8LG-mm Q=50	SMRF1812-102J	GOWANDA ELECTRONICS
LBL1	1	7121-0850	LABEL-ANTISTATIC 1.81-IN-WD 2.5-IN-LG	7101 7101 7121-0850	R S HUGHES 3M GM NAMEPLATE
LBL2	1	7121-5729	LBL-LNE-PTR; 1.5-IN-WD X .25-IN-L	THT-45-457-10	BRADY
LBL3	1	9320-6241	LBL-PG-PTR; .625-IN-WD X .25-IN-LG	9320-6241	BRADY
MP1, MP2, MP3, MP4, MP5, MP6, MP7, MP8	8	0624-0729	SCREW-TPG 2-56 .25-IN-LG PAN-HD-TORX T8	0624-0729	ILLINOIS TOOL WORKS
P1, P2	2	1252-1596	CONN-POST TYPE 2.54-PIN-SPCG-MTG-END	10-8557-096-002-025 536010-5 DIN-96CPC-SRI-TR	KYOCERA TYCO ELECTRONICS AMP 3M
P101-P104	4	1252-4481	CONN-POST TYPE .050-PIN-SPCG-MTG-END	5-104549-9	TYCO ELECTRONICS AMP
PCB1	1	E1445-26511	BLANK PCB	E1445-26511	AGILENT TECHNOLOGIES
Q601-Q604	4	5000-0019	LTB for 1853-0728		

E1445-66511 Parts List

Reference Designator	Quantity	Agilent Part Number	Description	MPN	Manufacturer
Q601-Q604a	1	1853-0728	TRANSISTOR PNP SI SOT-223 PD-1000MW	PZT3906	FAIRCHILD SEMICONDUCTOR
R101, R115, R301, R401, R402, R403, R502, R631, R701, R703, R803, R805	12	0699-1384	RESISTOR 4.64K +-1pct .125W TKF TC=0+-100	CRCW12064K64FKE_ RK73H2BT_4641F MCR18__F4641 232272464642L	VISHAY KOA ROHM YAGEO
R102, R103, R104, R105, R801	5	0699-1378	RESISTOR 2.61K +-1pct .125W TKF TC=0+-100	CRCW12062K61FKE_ RK73H2BT_2611F MCR18__F2611 232272462612L	VISHAY KOA ROHM YAGEO
R106, R113, R114, R116, R201, R202, R204, R205, R208, R209, R210, R211, R212, R503, R816	15	0699-1415	RESISTOR 100 +-1pct .125W TKF TC=0+-100	CRCW1206100RFKE_ RK73H2BT_1000F MCR18__F1000 232272461001L	VISHAY KOA ROHM YAGEO
R107, R108, R109, R110, R501, R804	6	0699-1391	RESISTOR 10K +-1pct .125W TKF TC=0+-100	CRCW120610K0FKE_ RK73H2BT_1002F MCR18__F1002 232272461003L	VISHAY KOA ROHM YAGEO
R111, R112, R203, R207	9	0699-1437	RESISTOR 825 +-1pct .125W TKF TC=0+-100	CRCW1206825RFKE_ RK73H2BT_8250F MCR18__F8250 232272468251	VISHAY KOA ROHM YAGEO
R207	1	0699-1375	RESISTOR 1.96K +-1pct .125W TKF TC=0+-100	CRCW12061K96FKE_ RK73H2BT_1961F MCR18__F1961 232272461962L	VISHAY KOA ROHM YAGEO
R504, R610, R611, R612, R613, R614, R615, R616, R617, R618, R619, R620, R621, R622, R623, R624, R625, R626	18	0699-1330	RESISTOR 100K +-1pct .125W TKF TC=0+-100	CRCW1206100KFKE_ RK73H2BT_1003F MCR18__F1003 232272461004L	VISHAY KOA ROHM YAGEO
R602, R627, R628	3	0699-2859	RES-FXD 51 OHM +-5PCT 1W TC 0+-200	CRCW251251R0JNE_ RK73B3AT__510J MCR100__J510	VISHAY KOA ROHM

E1445-66511 Parts List

Reference Designator	Quantity	Agilent Part Number	Description	MPN	Manufacturer
R604, R606, R608	3	0699-2515	RESISTOR 4.7K +-5pct .25W CC TC=-400/+700		
R605, R607, R609	3	0699-6715	RESISTOR 100 OHM +-5pct .5W	CF 1/2 C ___ 101 J	KOA
R629, R632	2	0699-1435	RES-FXD 681 OHM +-1PCT .125W TC 0+-100	CRCW1206681RFKE_ RK73H2BT_6810F MCR18___F6810 232272466811	VISHAY KOA ROHM YAGEO
R633, R635	2	0699-1425	RESISTOR 261 +-1pct .125W TKF TC=0+-100	CRCW1206261RFKE_ RK73H2BT_2610F MCR18___F2610 232272462611L	VISHAY KOA ROHM YAGEO
R636-R638, R808-R815	11	0699-1348	RESISTOR 14.7 +-1pct .125W TKF TC=0+-100	CRCW120614R7FKE_ RK73H2BT_14R7F MCR18___F14R7 232272461479L	VISHAY KOA ROHM YAGEO
RP101, RP102, RP103, RP104, RP201, RP301, RP701	7	1810-1128	NET-RES 15 4.7K OHM 16-PIN	767161472G SOMC16-01-472G 4816P-2-472LF	CTS VISHAY BOURNS
RP202-RP204	3	1810-1288	NET-RES 15 100.0 OHM 16-PIN	4816P-002-101 767161101G SOMC-16-01-101G	BOURNS CTS VISHAY
RP702, RP703	2	1810-1231	NET-RES 8 100.0 OHM 16-PIN	4816P-001-101 767163101G SOMC16-03-101G	BOURNS CTS VISHAY
RP801, RP802	2	1810-1064	NET-RES 15 10.0K OHM 16-PIN	767161103G SOMC-16-01-103G 4816P-2-103LF	CTS VISHAY BOURNS
RVT1, RVT2, RVT3, RVT4	4	0361-1393	RIVET-BLIND DR-PIN UNIV-HD .098DIA	1189-2510	TEXTRON
SP301, SP302	2	3101-2243	SWITCH-DIP RKR 8-1A 0.05A 30VDC	76YY22318ST	GRAYHILL
T601	1	9100-4902	TRANSFORMER-RF FREQ. RANGE: 15-400 MHz	T1-1-KK81	MINI-CIRCUITS

E1445-66511 Parts List

Reference Designator	Quantity	Agilent Part Number	Description	MPN	Manufacturer
U101	1	1820-5845	IC 16-BIT MPU W/COUNTER, PLCC 10MHZ	MC68HC000E110	FREESCALE SEMICONDUCTOR
U102, U430, U510, U610, U612, U613, U614, U805, U814	9	1820-5938	IC GATE CMOS/ACT NAND QUAD 2-INP	MC74ACT00DG SN74ACT00D 74ACT00SCX	ON SEMICONDUCTOR TEXAS INSTRUMENTS FAIRCHILD SEMICONDUCTOR
U103-U110, U114-U117, U128, U301, U302	15	1820-7281	IC TRANSCEIVER CMOS/ACL BUS OCTL	74ACT11245DW	TEXAS INSTRUMENTS
U111	1	5188-2562	LTB for 1820-7041		
	1	1820-7041	IC-ASIC		
U112	1	5188-2537	LTB FOR 1820-6693		
	1	1820-6693	IC-ASIC	SCX6B64ABS/U6	NATIONAL SEMICONDUCTOR
U113	1	1818-5236	IC 4K-BIT EEPROM 500-NS CMOS	93LC66B/SN	MICROCHIP TECHNOLOGY
U118, U119	2	1820-4861	IC BFR TTL/F NAND QUAD 2-INP	N74F38D-T N74F38D-T	PHILIPS NXP
U120	1	1820-5075	IC GATE TTL/ALS NAND DUAL 4-INP	SN74ALS20AD	TEXAS INSTRUMENTS
U121, U122, U123, U124, U125, U126	6	1820-6207	IC TRANSCEIVER TTL/F REG OCTL	74F543D 74F543SCX. SN74F543DW 74F543D	PHILIPS FAIRCHILD SEMICONDUCTOR TEXAS INSTRUMENTS NXP
U127, U129	2	1820-5218	IC DRVR TTL/F LINE OCTL	74F244D 74F244SCX. SN74F244DW 74F244D	PHILIPS FAIRCHILD SEMICONDUCTOR TEXAS INSTRUMENTS NXP
U201	1	E1445-88803	PRGMD 1820-8180 OTP	E1445-88803	MEMEC UNITED
	1	1820-8180	IC PLD OTP-EPLD UNPRGMD CMOS 5064		
U204	1	1820-6714	IC DRVR ECL/10KH BUS TPL	MC10H123FNG	ON SEMICONDUCTOR
U205	1	1820-5607	IC RCVR ECL/10KH LINE TPL	MC10H116FNG	ON SEMICONDUCTOR

E1445-66511 Parts List

Reference Designator	Quantity	Agilent Part Number	Description	MPN	Manufacturer
U206	1	1820-7647	IC RGTR ECL/10E STOR 9-BIT	SY10E143JY MC10E143FNG	MICREL ON SEMICONDUCTOR
U207	1	1820-7650	IC GATE ECL/10E AND-NAND QUINT 2-INP	SY10E104JY MC10E104FNG	MICREL ON SEMICONDUCTOR
U208-U211	4	1820-7649	IC GATE ECL/10E OR-NOR QUAD 4-INP	MC10E101FNG	ON SEMICONDUCTOR
U212	1	1820-6524	IC XLTR ECL/10KH TTL-TO-ECL QUAD	MC10H124FN__G	ON SEMICONDUCTOR
U213	1	1820-5629	IC FF ECL/10KH D-M/S POS-EDGE-TRIG	MC10H131FNG	ON SEMICONDUCTOR
U214, U215, U217, U816	4	1820-8829	IC XLTR ECL/10KH ECL-TO-TTL OCTL	SN10KHT5541DW	TEXAS INSTRUMENTS
U216, U408, U501, U507, U508, U509, U512, U513, U514, U515	10	1820-8461	IC FF BICMOS/ABT D-TYPE POS-EDGE-TRIG	74ABT574AD SN74ABT574ADW 74ABT574AD	PHILIPS TEXAS INSTRUMENTS NXP
U218, U706	2	1820-5053	IC BFR TTL/F LINE QUAD	74F125SCX. N74F125D N74F125D	FAIRCHILD SEMICONDUCTOR PHILIPS NXP
U219, U406, U407, U603, U604, U801	6	1820-6471	IC TRANSCEIVER CMOS/HCT BUS OCTL	SN74HCT652DW	TEXAS INSTRUMENTS
U220	1	1820-7651	IC XLTR ECL/10KH TTL-TO-ECL OCTL	SN10KHT5543DW	TEXAS INSTRUMENTS
U303	1	E1445-88804	PROGRAMMED PART		
	1	1818-4778	IC 1M-BIT OTP 150-NS CMOS		
U304	1	E1445-88805	PROG ROM		
	1	1818-4778	IC 1M-BIT OTP 150-NS CMOS		
U305, U306, U411, U412	4	1818-4218	IC SRAM 256K-BIT 70-NS CMOS 28-SOIC	CY62256NLL-70SNC	CYPRESS SEMICONDUCTOR
U307, U705	2	1820-5940	IC GATE CMOS/ACT AND QUAD 2-INP	MC74ACT08DG 74ACT08SCX.	ON SEMICONDUCTOR FAIRCHILD SEMICONDUCTOR
U308, U310, U311, U312, U313, U314, U315, U316, U317, U802	10	1820-5941	IC DCDR-DEMUXR CMOS/ACT BIN 8-TO-1-LINE	MC74ACT138DG 74ACT138SCX	ON SEMICONDUCTOR FAIRCHILD SEMICONDUCTOR

E1445-66511 Parts List

Reference Designator	Quantity	Agilent Part Number	Description	MPN	Manufacturer
U309, U702, U703, U8	5	1820-7282	IC LCH CMOS/ACL TRANSPARENT OCTL	74ACT11373DW	TEXAS INSTRUMENTS
U401, U701	2	1820-7312	IC SCHMITT-TRIG CMOS/ACT INV HEX	MC74ACT14DR2G SN74ACT14D	ON SEMICONDUCTOR TEXAS INSTRUMENTS
U402, U403, U404, U405, U409, U410, U704, U809, U810, U811, U812, U813	12	1820-8821	IC TRANSCEIVER CMOS/ACL BUS OCTL	74ACT11623DW	TEXAS INSTRUMENTS
U414, U431, U432, U433, U511	5	1820-5040	IC FF TTL/F D-TYPE POS-EDGE-TRIG	74F74D 74F74SCX. SN74F74D 74F74D	PHILIPS FAIRCHILD SEMICONDUCTOR TEXAS INSTRUMENTS NXP
U415	1	1820-5948	IC GATE TTL/F AND TPL 3-INP	74F11SCX. N74F11D N74F11D	FAIRCHILD SEMICONDUCTOR PHILIPS NXP
U416, U417, U418, U419, U420, U421, U422, U423, U426, U427, U428, U429	12	1820-8822	IC CNTR CMOS/ACT BIN SYNCHRO	74ACT161SCX. MC74ACT161D__G	FAIRCHILD SEMICONDUCTOR ON SEMICONDUCTOR
U424, U425, U434	3	1820-6436	IC SHF-RGTR TTL/F SYNC/ASYNC	74F194D 74F194D	PHILIPS NXP
U435, U436	2	1820-6999	IC GATE TTL/F NAND DUAL 4-INP 14-SOIC	74F20SCX N74F20D SN74F20D N74F20D	FAIRCHILD SEMICONDUCTOR PHILIPS TEXAS INSTRUMENTS NXP
U440-U443, U520-U527, U530-U537	20	1818-4983	IC 256K-BIT SRAM 15-NS CMOS	IDT71256SA15YG CY7C199CN-15VXC	IDT CYPRESS SEMICONDUCTOR

E1445-66511 Parts List

Reference Designator	Quantity	Agilent Part Number	Description	MPN	Manufacturer
U502,U503	1	5000-0026	LTB for 1820-6850		
	2	1820-6850	IC ENCDR TTL/F PRIORITY 8-TO-3-LINE	74F148D	PHILIPS
U504, U506, U602, U617	4	1820-8825	IC GATE CMOS/ACT EXCL-OR QUAD	MC74ACT86DG	ON SEMICONDUCTOR
U505, U611	2	1820-8820	IC GATE CMOS/ACT NAND TPL 3-INP	74ACT10SC MC74ACT10D__G	FAIRCHILD SEMICONDUCTOR ON SEMICONDUCTOR
U601	1	1820-5566	IC SCHMITT-TRIG TTL/F INV HEX	74F14SCX. N74F14D N74F14D	FAIRCHILD SEMICONDUCTOR PHILIPS NXP
U605-U609, U615, U806	7	1820-6008	IC MV CMOS/HC MONOSTBL RETRIG DUAL	74HC4538D MM74HC4538M 74HC4538D	PHILIPS FAIRCHILD SEMICONDUCTOR NXP
U616	1	1820-6473	IC FF CMOS/ACT D-TYPE POS-EDGE-TRIG	MC74ACT74DG SN74ACT74D 74ACT74SCX	ON SEMICONDUCTOR TEXAS INSTRUMENTS FAIRCHILD SEMICONDUCTOR
U803	1	1820-6141	IC MUXR/DATA-SEL TTL/F 8-TO-1-LINE	SN74F251BD	TEXAS INSTRUMENTS
U815	1	1820-7796	IC DRVR BICMOS/ABT LINE OCTL	74ABT244D SN74ABT244ADW 74ABT244D	PHILIPS TEXAS INSTRUMENTS NXP
XU303, XU304	2	5969-5438	LTB OF 1200-1417 (MXD/0960)		
	1	1200-1417	SOCKET-IC-PLCC 32-CONT RECT DIP-SLDR	1-822473-3	TYCO ELECTRONICS AMP

Manual Part Number: 5989-5867EN
Printed in U.S.A. November 2006
Copyright © 2006 Agilent Technologies, Inc. All Rights Reserved.

