

Errata

Title & Document Type: 11049A, 11050A, 11051A Operating and Service Manual

Manual Part Number: 11049-90005

Revision Date: May 1984

About this Manual

We've added this manual to the Agilent website in an effort to help you support your product. This manual provides the best information we could find. It may be incomplete or contain dated information, and the scan quality may not be ideal. If we find a better copy in the future, we will add it to the Agilent website.

HP References in this Manual

This manual may contain references to HP or Hewlett-Packard. Please note that Hewlett-Packard's former test and measurement, life sciences, and chemical analysis businesses are now part of Agilent Technologies. The HP XXXX referred to in this document is now the Agilent XXXX. For example, model number HP8648A is now model number Agilent 8648A. We have made no changes to this manual copy.

Support for Your Product

Agilent no longer sells or supports this product. You will find any other available product information on the Agilent Test & Measurement website:

www.agilent.com

Search for the model number of this product, and the resulting product page will guide you to any available information. Our service centers may be able to perform calibration if no repair parts are needed, but no other support from Agilent is available.



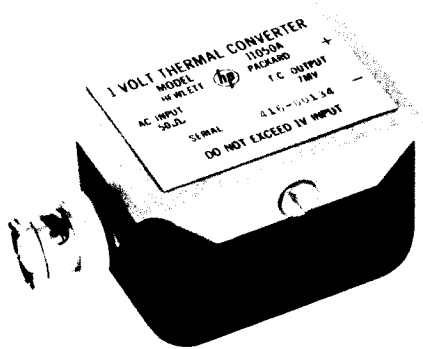
Agilent Technologies

THERMAL CONVERTERS

11049A

11050A

11051A



 HEWLETT
PACKARD



OPERATING AND SERVICE MANUAL

Manual Part No. 11049-90005

Microfiche Part No. 11049-90055

MODEL 11049A, 11050A, 11051A THERMAL CONVERTERS

Serials Prefixed 0416A

If other serial prefixes require modification of this manual, the changes will appear in an associated "Manual Changes" supplement.

© Copyright Hewlett-Packard Company 1967
P.O. Box 301, Loveland, Colorado 80537 U.S.A.

Printed: May 1984



Accessory and Service Kits
90 Day Return to -hp- Warranty

WARRANTY

This Hewlett-Packard [Accessory Kit] [Service Kit] is warranted against defects in material and workmanship for a period of 90 days from date of shipment [except that in the case of certain components listed in Section I of this manual, the warranty shall be for the specified period]. During the warranty period, Hewlett-Packard Company will, at its option, either repair or replace parts which prove to be defective.

For warranty service or repair, the defective part must be returned to a service facility designated by -hp-. Buyer shall prepay shipping charges to -hp- and -hp- shall pay shipping charges to return the product to Buyer. However, Buyer shall pay all shipping charges, duties, and taxes for products returned to -hp-from another country.

LIMITATION OF WARRANTY

The foregoing warranty shall not apply to defects resulting from improper assembly, improper or inadequate maintenance, by Buyer, Buyer-supplied

software or interfacing, unauthorized modification or misuse, operation outside of the environmental specifications for the part, or improper site preparation or maintenance.

NO OTHER WARRANTY IS EXPRESSED OR IMPLIED. HP SPECIFICALLY DISCLAIMS THE IMPLIED WARRANTIES OF MERCHANTABILITY AND FITNESS FOR A PARTICULAR PURPOSE.

EXCLUSIVE REMEDIES

THE REMEDIES PROVIDED HEREIN ARE BUYER'S SOLE AND EXCLUSIVE REMEDIES. HP SHALL NOT BE LIABLE FOR ANY DIRECT, INDIRECT, SPECIAL, INCIDENTAL, OR CONSEQUENTIAL DAMAGES, WHETHER BASED ON CONTRACT, TORT, OR ANY OTHER LEGAL THEORY.

ASSISTANCE

For any assistance, contact you nearest Hewlett-Packard Sales and Service Office. Addresses are provided with the kit.

TABLE OF CONTENTS

Paragraph	Page
1. General	1
5. Option 003 Description	2
8. Circuit Description	3
13. Maintenance	3
15. Thermal Converter Calibration	4
20. Selection of R2	7
24. Selection of R1	8
27. Selection of C1	9
32. Installation of Components	10
34. Replaceable Parts	10

LIST OF ILLUSTRATIONS

Figure	Page
1. -hp- Model 11050A Thermal Converter	1
2. Thermal Converter Schematic Diagram	3
3. Input-Output Relationship	4
4. Thermal Converter Calibration	5
5. Microvolt-Percent Conversion for 11049A, 11050A, and 11051A Converters	6
6. Selection of R2	7
7. Selection of R1	8
8. Proper Orientation of Components	11
9. Mechanical Parts	12

LIST OF TABLES

Table	Page
1. 11049A, 11050A, and 11051A Specifications	1
2. 11049A, 11050A, and 11051A Characteristics	1
3. C1 Selection for the 11051A	9
4. Replaceable Parts	10

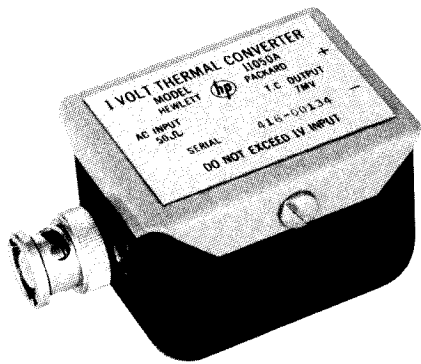


Figure 1. -hp- Model 11050A Thermal Converter

1. GENERAL

2. The -hp- Model 11049A, 11050A, 11051A Thermal Converters are used to accurately compare the rms value of ac input voltages at a specified frequency to the rms value of input voltages at one or more different frequencies. Two versions of these Thermal Converters are available: a standard and an Option 003 version. Each standard version is tested at the specified frequencies listed in Table 1. The Option 003 versions have correctional data supplied for specific frequencies up to 100MHz. Refer to paragraph 5 for more information on Option 003 converters. The operating characteristics for both versions of the converters are shown in Table 2.

Table 1. 11049A, 11050A, and 11051A Specifications

Frequency	Input Error with Respect to 1kHz (±%)	Measurement Uncertainty (±%)
30kHz	.03	.02
100kHz	.03	.02
300kHz	.03	.06
1MHz	.03	.06
3MHz	.06	.12
8MHz	.06	.12
10MHz	.06	.12

Table 2. 11049A, 11050A, and 11051A Characteristics

Maximum Input Voltage: 11049A: 3 volts rms 11050A: 1 volts rms 11051A: 0.5 volts rms
Input Resistance: 50 ohms ±.15 ohms
Output Resistance: less than 10 ohms
Output Voltage (with Full Range Input): Nominal 7.0mV

3. Refer to Table 1. The column labeled "Input Error with Respect to 1kHz" shows the maximum difference between the input voltage at 1kHz and the input voltage at the specified frequency that develops the same Thermal Converter output voltage. This difference is given in percentage of the rms value of the input voltage. The "Measurement Uncertainty" column lists the inaccuracies (or uncertainties) involved in measuring the Input Errors previously described. You cannot reduce this uncertainty to obtain better absolute accuracies.

4. The accuracy of the standard Thermal Converter is calculated by algebraically summing the columns in Table 1 labeled "Input Error with Respect to 1kHz" and "Measurement Uncertainty". For example, the difference between a 1kHz signal level and a 30kHz signal level that develops the same Thermal Converter dc output voltage as the 1kHz level, can be as much as " $\pm .03\%$ " plus " $\pm 02\%$ " or " $\pm .05\%$ ". This takes into account the inaccuracies of the Thermal Converter itself and the measurement. For specific frequencies up to 10MHz, the actual percentage difference between the rms value of the 1kHz input and the rms value of an input at another frequency (that develops the same dc output), will never exceed the sum of the two columns for each specified frequency.

5. OPTION 003 DESCRIPTION

6. If the accuracies of a standard Thermal Converter are insufficient for your application, Option 003 is recom-

mended. Option 003 Thermal Converters are supplied with measured Input Error data at the frequencies listed in Table 1 plus the following frequencies: 20MHz, 30MHz, 50MHz, 70MHz, 80MHz, and 100MHz. This data allows you to enhance the accuracy of a standard Thermal Converter. The Input Error measurements are obtained by direct comparison to a similar Thermal Converter that has data traceable to NBS (National Bureau of Standards in the USA). This data gives you the characteristics of your particular Thermal Converter by comparing ac voltage levels at different frequencies. For example, if the measured data of an Option 003 converter is "+.01%" at 30kHz, the Input Error with respect to 1kHz would then be ".01%" high at 30kHz. (Note: Option 003 has replaced both Options 001 and 002 listed in earlier manuals.)

7. Each Option 003 comes with a certificate containing a table similar to Table 1, but with measured data instead of the maximum limits for the "Input Error with Respect to 1kHz" column. This data is for the following frequencies: 30kHz, 100kHz, 300kHz, 1MHz, 3MHz, 8MHz, 10MHz, 20MHz, 30MHz, 50MHz, 70MHz, 80MHz, and 100MHz. The "Measurement Uncertainty" column in Table 1 is the same for Option 003, because these uncertainties cannot be reduced. Option 003 therefore provides Input Error data whose uncertainties are bounded by the percentages in the "Measurement Uncertainty" column in Table 1. For example, the uncertainty at 30kHz in the table is " $\pm .02\%$ " which represents the uncertainties for

both standard and Option 003 converters.

8. CIRCUIT DESCRIPTION

9. Refer to Figure 2. The Thermal Converter consists of a 90 ohm UHF thermoelement containing a heater filament and a thermoelectric junction. When a voltage is

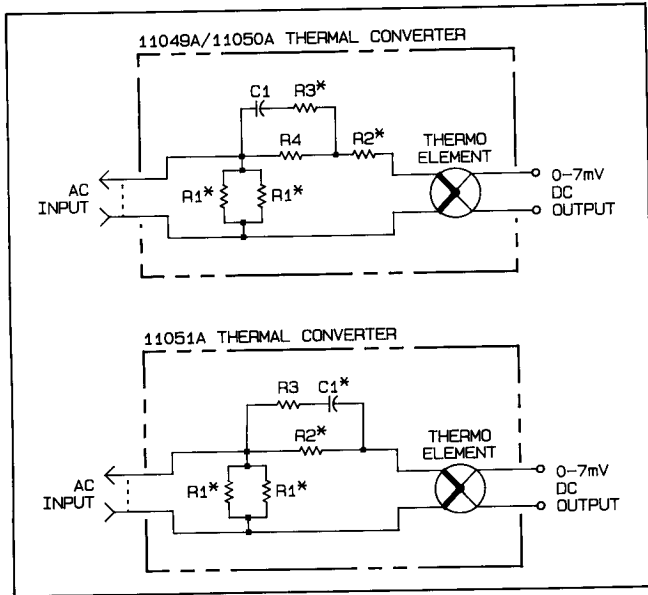


Figure 2. Thermal Converter Schematic Diagram

applied to the Thermal Converter, the resultant current into the thermoelement heats the filament. The thermoelectric junction then develops a voltage value proportional to the filament heat (i.e., the output voltage value is proportional to the input power).

10. For the 11049A and 11050A, resistors R2 and R4 develop the 5mA current through the thermoelement for full scale inputs and resistor R1 develops the 50 ohm input resistance of the converter. Resistors R3 and R4, and capacitor C1 form a filter to optimize the high frequency response (1MHz to 10MHz) of the converter.

11. For the 11051A, resistor R2 develops the 5mA current through the thermoelement for full scale inputs and resistor R1 develops the 50 ohm input resistance of the converter. Resistors R2 and R3, and capacitor C1 form a filter to optimize the high frequency response (1MHz to 10MHz) of the converter.

12. The input/output relationship of a typical Thermal Converter is shown in Figure 3.

13. MAINTENANCE

14. The following paragraphs show how to calibrate and repair the Thermal Converter, and how to select the necessary components after repair.

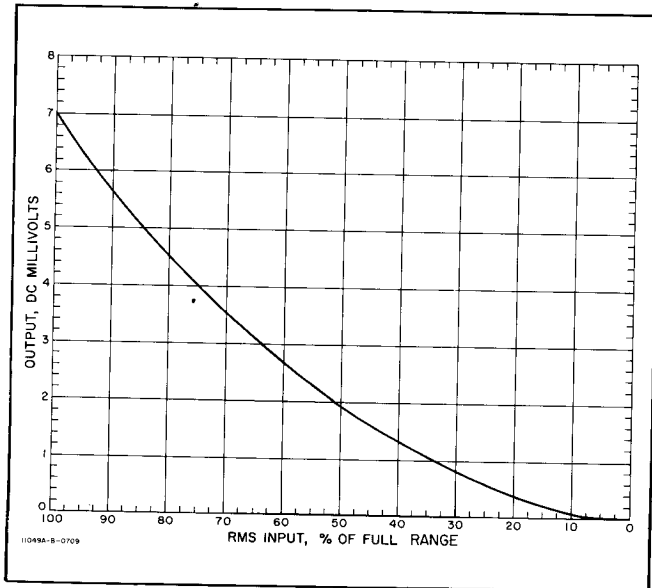


Figure 3. Input/Output Relationship

15. Thermal Converter Calibration

16. The Thermal Converter is calibrated using a reference Thermal Converter that has correctional data available. Since the Option 003 11049A, 11050A, and 11051A Thermal Converters have correctional data, you can use them as reference converters.

17. A typical Thermal Converter calibration setup is shown in Figure 4. In the setup, the Thermal Converter under test is compared to the reference Thermal Converter. Using the known correctional data of the reference converter, the error data of the converter under test is calculated. If during the test it is determined that the error data exceeds the limits listed in the "Error with Respect to 1kHz" column of Table 1, the Thermal Converter is not within specifications.

18. A Thermal Converter failure is most likely caused by an open UHF thermoelement, or if the glass bead separating the heater and thermocouple inside the thermoelement is defective. This can be determined by the failure. For example, if the readings at all frequencies are inaccurate, the thermoelement is most likely open. If the readings at 1MHz and above are inaccurate, the glass bead is most likely the cause. Before replacing the thermoelement, check and make sure capacitor C1 is installed. If the capacitor is installed, it may be worthwhile to select a new C1 (see paragraph 27). If it is necessary to replace a thermoelement, resistors R1 and R2, and capacitor C1 may have to be changed. The procedures to select these components starts in paragraph 20.

19. To calibrate the Thermal Converter, do the following:

NOTE

The Thermal Converter should be checked against a reference Thermal Converter at least once ever six months the first year, and once a year thereafter.

- a. Set the test oscillator to 1kHz and set its output to minimum.
- b. Connect the equipment as shown in Figure 4. Keep all leads and cables as short as possible.
- c. Adjust the oscillator output for a 6mV reading, as shown on the digital multimeter connected to the reference Thermal Converter. This reading is called the 1kHz Reference reading. Make sure it is exactly 6mV or note the reading to the nearest microvolt if other than 6mV.
- d. Note the reading on the digital multimeter connected to the Thermal Converter under test. This reading is called the 1kHz Test reading.
- e. Set the oscillator amplitude to minimum.
- f. On the reference Thermal Converter, determine the lowest frequency that has correctional data available. Set the oscillator to that frequency. For example, if you are

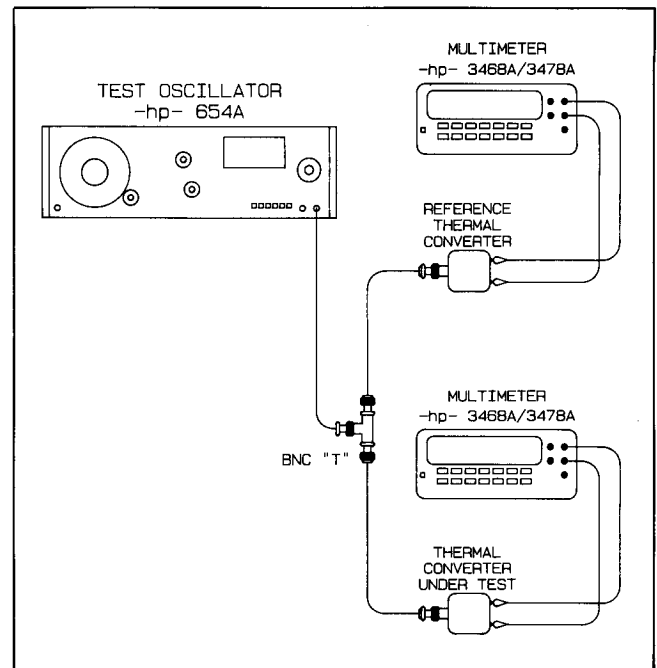


Figure 4. Thermal Converter Calibration

using an Option 003 11049A, 11050A, or 11051A Thermal Converter with correctional data, use 30kHz as the lowest frequency.

g. While observing the digital multimeter connected to the Thermal Converter under test, readjust the oscillator output to the 1kHz Test reading taken in step d.

h. Note the reading on the digital multimeter connected to the reference Thermal Converter. Subtract the 1kHz Reference reading taken in step c from this reading. For example, if the present reading is 5.997mV and the 1kHz Reference reading is 6.000mV, the result is 5.997mV minus 6.000mV which equals -.003mV or $-3\mu\text{V}$.

i. Change the result from microvolts to percent. If the Option 003 converter is used, 1uV corresponds to .01% (for 6mV full scale outputs). Using the numbers of the example in step h, the result is -.03%. (Note: Derivation of the $1\mu\text{V}$ to .01% conversion is shown in Figure 5.)

j. Refer to the reference Thermal Converter correctional data and determine the error at the present frequency. Algebraically add the error in percent of the reference Thermal Converter to the results in percent calculated in step i. For example, if the correctional data shows an error of +.02%, the result, using the numbers of the previous example, is +.02% plus -.03% which equals -.01%.

k. The resultant error in percent is the actual error of the Thermal Converter under test. Record this error. (Note: If the resultant error is negative, it means the converter under test requires less input at the test frequency

The formula for thermal conversion is as follows:

$V_{\text{out}} \cong K \cdot V_{\text{in}}^{1.7}$ where K is a constant therefore:

$$\Delta V_{\text{out}} = K \cdot 1.7 V_{\text{in}}^{-.7} \cdot \Delta V_{\text{in}}$$

$$\frac{\Delta V_{\text{out}}}{V_{\text{out}}} = \frac{K \cdot 1.7 V_{\text{in}}^{-.7} \cdot \Delta V_{\text{in}}}{K \cdot V_{\text{in}}^{1.7}}$$

$$\frac{\Delta V_{\text{out}}}{V_{\text{out}}} = 1.7 \frac{\Delta V_{\text{in}}}{V_{\text{in}}}$$

A numerical example using a 6mV output value is as follows:

$$\frac{1\mu\text{V}}{6\text{mV}} = 1.7 \frac{\Delta V_{\text{in}}}{V_{\text{in}}}$$

OR

$$\frac{\Delta V_{\text{in}}}{V_{\text{in}}} = \frac{1\mu\text{V}}{6\text{mV}} \cdot \frac{1}{1.7} \cong 10^{-4} = .01\%$$

therefore a change of 1uV at a 6mV output corresponds to a change of .01% (i.e., 10^{-4})

Figure 5. Microvolt/Percent Conversion for 11049A, 11050A, and 11051A Converters

than at 1kHz to develop the same output. Similarly, a positive error indicates that more input is needed at the test frequency.)

1. Repeat steps e through k for each frequency of the reference Thermal Converter that has correctional data available. In each case, record the error of the converter under test.

20. Selection of R2

21. Resistors R2 and R4 sets the 5mA current through the thermoelement for all full scale inputs which results in a 7mV dc output. Since there is no R4 in the 11051A converter, only R2 sets the current in that converter. In the 11049A, the nominal value of R2 is 460 ohms. The R2 value in addition to a fixed R4 value of 50 ohms gives a total nominal value of 510 ohms. In the 11050A, the nominal value of R2 is 100 ohms. The R2 value in addition to a fixed R4 value of 20 ohms gives a total nominal value of 120 ohms. In the 11051A, R2 is a single resistor with a nominal value of 7 ohms. Remember, there is no R4 in the 11051A. All resistors should be 1/8 watt, $\pm 1\%$ metal film resistors.

22. A test setup for selecting R2 is in Figure 6. In the figure, the power supply outputs a known input (3V, 1V, or 0.5V for the 11049A, 11050A, or 11051A, respectively) and the digital multimeter monitors the output. The

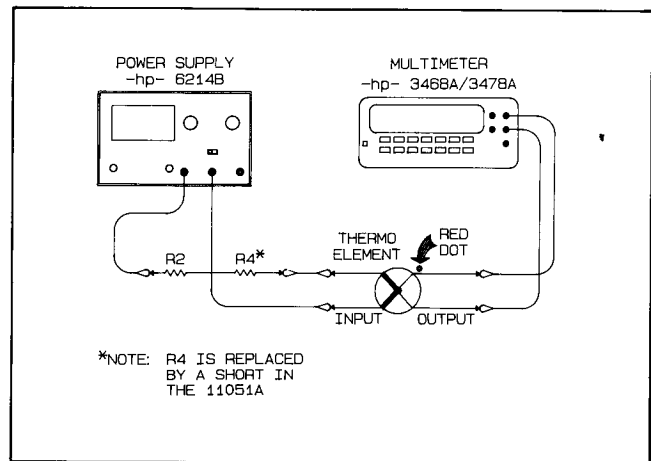


Figure 6. Selection of R2

correct value of R2 is selected when the converter output is 7mV dc. Remember, the resistor R4 value for the 11049A and 11050A is fixed, and there is no R4 in the 11051A. Do the following:

a. With the power supply set to minimum, connect it, the thermoelement, the digital multimeter, and an initial value of R2 (see paragraph 21) as shown in Figure 6.

b. Adjust the power supply to either 3V (for the 11049A), 1V (for the 11050A), or 0.5V (for the 11051A).

c. The output, as read on the digital multimeter, should be $7\text{mV} \pm .05\text{mV}$. If the output is high, increase the value of R_2 and if low, decrease R_2 . (Note: Do not use the thermoelement if the R_2 value for the 11051A falls below 5 ohms.)

23. An alternate but not as accurate method to select R_2 is to assume a thermoelement resistance of 90 ohms. Then select an R_2 value of 460 ohms for the 11049A, 100 ohms for the 11050A, or 7 ohms for the 11051A. If this method is used, the 7mV output may be high or low by as much as 10%.

24. Selection of R_1

25. Resistor R_1 shunts the series combination of the thermoelement, and resistors R_2 and R_4 (R_2 only for the 11051A), to bring the converter's input resistance to 50 ohms, ± 0.15 ohms. Resistor R_1 is made up of two resistors connected in parallel. The nominal values for the 11049A are two 121 ohms resistors. The nominal values for the 11050A are a 121 ohms and a 150 ohms resistor. The nominal values for the 11051A are two 215 ohms resistors. All the resistors should be $1/8$ watt, $\pm 1\%$ metal film resistors.

26. A bridge test setup for selecting R_1 is in Figure 7. In the figure, R_1 is selected for a zero volts indication on the digital multimeter. Do the following:

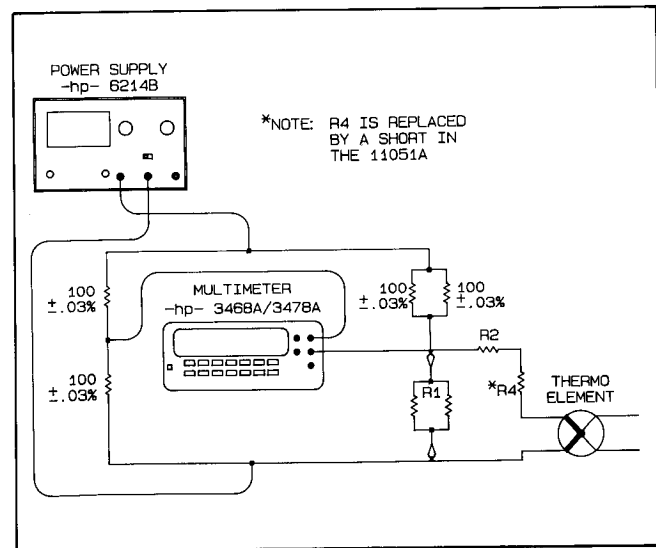


Figure 7. Selection of R_1

a. With the power supply output set to minimum, construct the bridge shown in Figure 7.

b. Connect the initial value of R_1 as shown in Figure 7. For the 11049A, use two 121 ohms resistors in parallel. For the 11050A, use a 150 ohms plus a 121 ohms resistor in parallel. For the 11051A, use two 215 ohms resistors in parallel.

c. Adjust the output voltage of the power supply to the following level:

- 11049A.....5.0V
- 11050A.....1.5V
- 11051A.....0.6V

d. Change the value of R1 until a zero reading is noted on the digital multimeter. Maximum deviations on the multimeter should be as follows:

- 11049A..... ±10.0mV
- 11050A..... ±3.0mV
- 11051A..... ±1.2mV

e. For a final close adjustment, a larger value resistor may be added in parallel with R1. Use a 1/4 watt, 5% carbon resistor ranging from 900 ohms to 500K ohms.

27. Selection of C1

28. Capacitor C1 is selected to level out the Thermal Converter's frequency response above 10MHz. It is best to select the capacitor after all the resistors and the thermoelement are mounted in the Thermal Converter case. Go to the following paragraphs to select the correct capacitor for the different converters.

29. C1 Selection for the 11049A Converter. Use a variable capacitor with a nominal value of 9-35pF for C1 (-hp-

Part Number: 0121-0105). Adjust the capacitor for the best high frequency response. If unable to level out the response, try placing a capacitor in parallel with C1. Any mica or ceramic capacitor ranging from 1pF to 50pF can be used.

30. C1 Selection for the 11050A Converter. Use a variable capacitor with a nominal value of 7-25pF for C1 (-hp- Part Number: 0121-0114). Adjust the capacitor for the best high frequency response. If unable to level out the response, try placing a capacitor in parallel with C1. Any mica or ceramic capacitor from 1pF to 50pF can be used.

31. C1 Selection for the 11051A Converter. The capacitor is selected by noting the resistor R2 value and then choosing the correct C1 value, as shown in Table 3. If unable to level out the high frequency response after installing C1, try placing a variable capacitor in parallel with C1. A good choice is a 9-35pF capacitor (-hp- Part Number 0121-0105).

Table 3. C1 Selection for the 11051A

R2 Value in Ohms	Capacitor C1	
	Value	-hp- Part Number
11 to 12	30pF	0160-2199
10 to 11	33pF	0160-2150
8 to 10	39pF	0160-0190
7 to 8	43pF	0160-2200
6 to 7	51pF	0160-0205
5 to 6	62pF	0140-0205
5	82pF	0140-0193

32. Installation of Components

33. The orientation of the components within the Thermal Converter case is critical. Improper spacing may cause serious degradation, especially at higher frequencies. Refer to Figure 8 for the correct placement of the components. Observe the following precautions when installing the components.



Use an adequate heat sink when soldering connections to the thermoelement. Excessive heat can damage the element.

- a. Keep all leads as short as possible.
- b. Make sure the components are mounted as shown in Figure 8.
- c. Avoid bending the thermoelement leads any more than absolutely necessary. Excessive bending may weaken the glass seal.
- d. The red (positive lead) is to be connected to the thermoelement's lead with the red dot.

34. REPLACEABLE PARTS

35. All the replaceable parts for the Thermal Converters are listed in Table 4. The mechanical parts are shown in Figure 9. Included with each part is its -hp- part number, total quantity, check digit, and description.

Table 4. Replaceable Parts

Ref. No.	-hp- Part Number	C D	Qty	Description
1	1250-0045	5	1	Connector: Male BNC
2	2190-0016	3	3	Lock Washer
3	0360-0024	2	2	Lug: Grounding
4	2950-0001	8	1	Nut: Hex, 3/8
5	0340-0039	7	2	Bushing: Insulator
6	0340-0038	6	2	Terminal: Output
R3	0698-3122	2	1	Resistor: 412 ohms, 1%, 1/8W (11049A)
R3	0757-0421	4	1	Resistor: 825 ohms, 1%, 1/8W (11050A)
R3	0757-0407	6	1	Resistor: 200 ohms, 1%, 1/8W (11051A)
R4	0757-0277	8	1	Resistor: 49.9 ohms, 1%, 1/8W (11049A)
R4	0757-0384	3	1	Resistor: 20 ohms, 1%, 1/8W (11050A)
	0853-0001	0	1	Thermoelement: UHF, 90 ohms, 5mA
	11049-00021	1	1	Can: Shield
	11049-00031	3	1	Cover: Top
	2360-0113	2	2	Screw: 6/32 for top cover

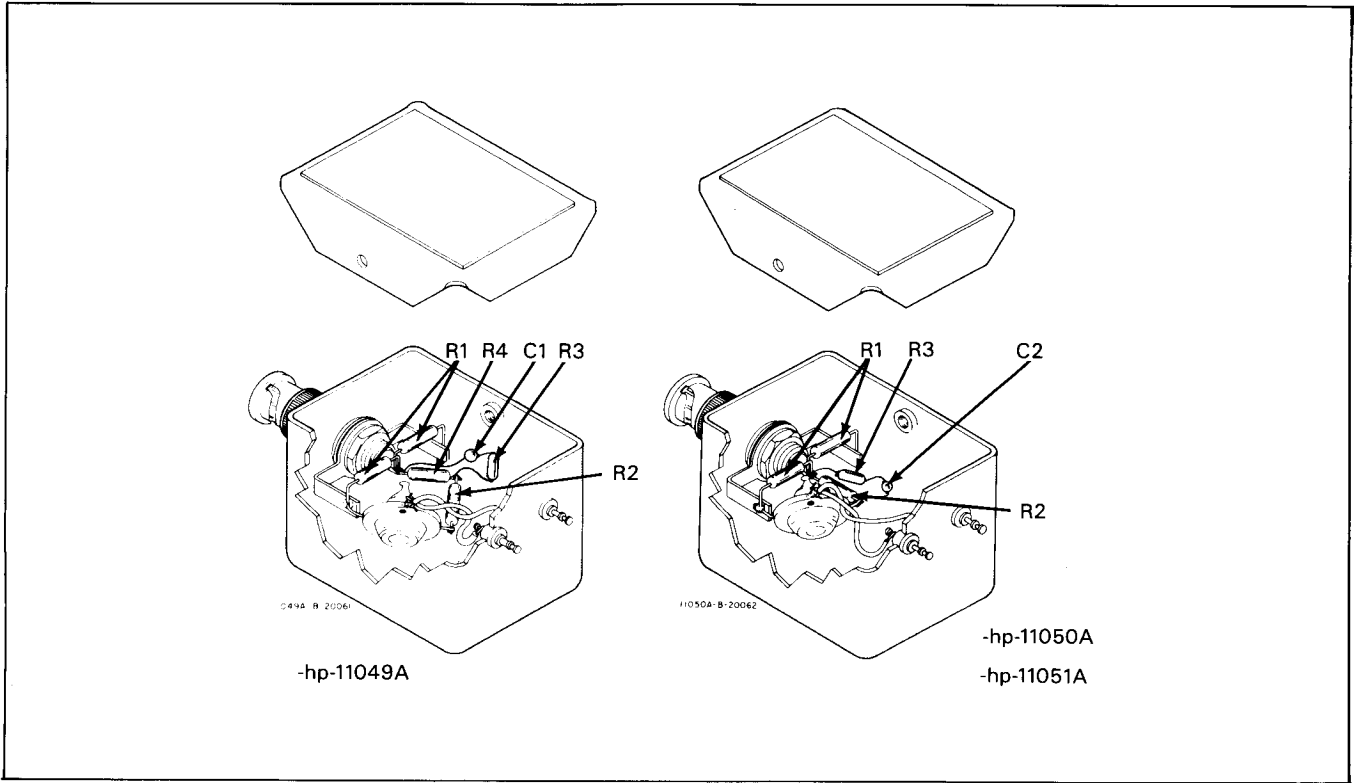


Figure 8. Proper Orientation of Components

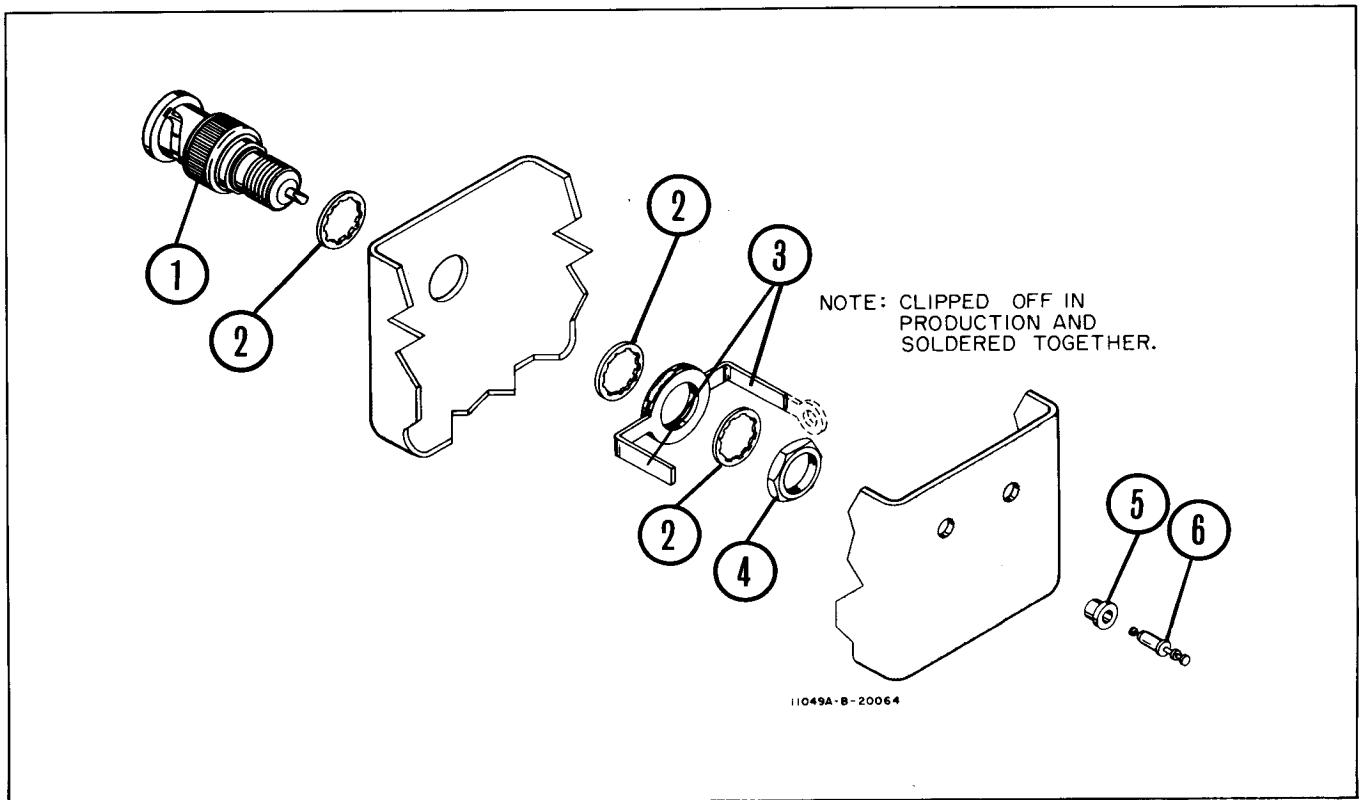


Figure 9. Mechanical Parts

Product Line Sales/Support Key

- Key Product Line**
- A Analytical**
- CM Components**
- C Computer Systems Sales only**
- CH Computer Systems Hardware Sales and Services**
- CS Computer Systems Software Sales and Services**
- E Electronic Instruments & Measurement Systems**
- M Medical Products**
- MP Medical Products Primary SRO**
- MS Medical Products Secondary SRO**
- P Personal Computation Products**
- S Sales only for specific product line**
- Support only for specific product line**

IMPORTANT: These symbols designate general product line capability. They do not insure sales or support availability for all products within a line, at all locations. Contact your local sales office for information regarding locations where HP support is available for specific products.

HP distributors are printed in italics.

HEADQUARTERS OFFICES
If there is no sales office listed for your area, contact one of these headquarters offices.

NORTH/CENTRAL AFRICA
Hewlett-Packard S.A.
P.O. Box
7, Rue du Bois-du-Lan
CH-1217 MEYRIN 2, Switzerland
Tel: (022) 83 12 12
Telex: 27855 hpsa
Cable: HEWPACKSA Geneva

ASIA
Hewlett-Packard Asia Ltd.
6th Floor, Sun Hung Kai Centre
30 Harbour Rd.
G.P.O. Box 795
HONG KONG
Tel: 5 832 3211
After Jan. 1, 1984
47th Floor, China Resources Bldg
28 Harbour Rd., Wancha
HONG KONG
Telex: 66678 HEWPA HK
Cable: HEWPACK HONG KONG

CANADA
Hewlett-Packard (Canada) Ltd.
6877 Goreway Drive
MISSISSAUGA, Ontario L4V 1M8
Tel: (416) 678-9430
Telex: 610-492-4246

EASTERN EUROPE
Hewlett-Packard Ges.m.b.H.
Ladgasse 1
P.O. Box 72
A-1222 VIENNA, Austria
Tel: (222) 2365 110
Telex: 13 4425 HEPA A

NORTHERN EUROPE
Hewlett-Packard S.A.
Ulmsriede 475
P.O. Box 909
NL-1180 AZ AMSTELVEEN
The Netherlands
Tel: 20 437771

SOUTH EAST EUROPE
Hewlett-Packard S.A.
7, Rue du Bois-du-Lan
CH-1217 MEYRIN 2, Switzerland
Tel: (022) 83 12 12
Telex: 27855 hpsa
Cable: HEWPACKSA Geneva

OTHER EUROPE
Hewlett-Packard S.A.
P.O. Box
150, Rue du Nani-D'Avril
CH-1217 MEYRIN 2, Switzerland
Tel: (022) 83 8111
Telex: 22486 hpsa
Cable: HEWPACKSA Geneva

MEDITERRANEAN AND MIDDLE EAST
Hewlett-Packard S.A.
Operations
Alrina Centre
32 Kilissas Ave.
Paradissos-Amatoussion, ATHENS
Greece
Tel: 682 88 11
Telex: 21-6588 HPAT GR
Cable: HEWPACKSA Athens

EASTERN USA
Hewlett-Packard Co.
4 Choke Cherry Road
ROCKVILLE, MD 20850
Tel: (301) 258-2000

MIDWESTERN USA
Hewlett-Packard Co.
5201 Tollwew Drive
ROLLING MEADOWS, IL 60008
Tel: 80 4244
Tel: (312) 255-9800

SOUTHERN USA
Hewlett-Packard Co.
2000 South Park Place
P.O. Box 105005
ATLANTA, GA 30348
Tel: (404) 955-1500

WESTERN USA
Hewlett-Packard Co.
3939 Lanekershm Blvd.
P.O. Box 3919
LOS ANGELES, CA 91604
Tel: (213) 506-3700

OTHER INTERNATIONAL AREAS
Hewlett-Packard Co.
Intercontinental Headquarters
3495 Deer Creek Road
PALO ALTO, CA 94304
Tel: (415) 857-1501
Telex: 034-8300
Cable: HEWPACK

ANGOLA
Telex
Empresa Técnica de Equipamentos
R. Barbosa Rodrigues, 41-I DT.
Caza Passa 6467
LUANDA
Tel: 25515, 35516
E.P.

ARGENTINA
Hewlett-Packard Argentina S.A.
Avenida Santa Fe 2035
Martinez 1640 BUENOS AIRES
Tel: 798-5735, 792-1293
Telex: 17595 BIONAR
Cable: HEWPACKARG
A.E.CH.CS.P.

Bolton S.A.C.I.M. e I
Av. Páez Oteiza 221, Piso 9
1399 BUENOS AIRES
Tel: 30-4846, 30-1851
Telex: 17595 BIONAR
M

Australia, South Australia Office
Hewlett-Packard Australia Ltd.
153 Greenhill Road
PARKSIDE, S.A. 5063
Tel: 272-5911
Telex: 82536
Cable: HEWPARF Adelaide
A.C.H.C.M.S.E.M.S.P.

Brisbane, Queensland Office
Hewlett-Packard Australia Ltd.
10 Payne Road
THE GAP, Queensland 4061
Tel: 30-4133
Telex: 42133
Cable: HEWPARF Brisbane
A.C.H.C.M.S.P.

Canberra, Australia Capital Territory Office
Hewlett-Packard Australia Ltd.
121 Wollongong Street
PYRMONT, A.C.T. 2609
Tel: 60 4244
Telex: 62650
Cable: HEWPARF Canberra
A.C.H.C.M.S.P.

Melbourne, Victoria Office
Hewlett-Packard Australia Ltd.
31-41 Joseph Street
BLAKESBURN, Victoria 3130
Tel: 955-2855
Cable: HEWPARF Melbourne
A.C.H.C.M.S.E.M.S.P.

Perth, Western Australia Office
Hewlett-Packard Australia Ltd.
251 Sterling Highway
CLAREMONT, W.A. 6010
Tel: 383-2188
Telex: 33369
Cable: HEWPARF Perth
A.C.H.C.M.S.P.

Sydney, New South Wales Office
Hewlett-Packard Australia Ltd.
17-23 Talavera Road
P.O. Box 508
NORTH RYDE, N.S.W. 2113
Tel: 887-1611
Telex: 21561
Cable: HEWPARF Sydney
A.C.H.C.M.S.E.M.S.P.

AUSTRIA
Hewlett-Packard Ges.m.b.H.
Gottenhofstrasse 94
A-8052 GRAZ
Tel: (0316) 291 5 66
Telex: 32375
CHIE

Bolton S.A.C.I.M. e I
Hewlett-Packard Ges.m.b.H.
Ladgasse 1
P.O. Box 72
A-1222 VIENNA
Tel: (0222) 23 65 11-0
Telex: 134425 HEPA A
A.C.H.C.M.S.E.M.S.P.

BAHRAIN
Green Salon
P.O. Box 557
Manama
BAHRAIN
Tel: 255303, 255950
Telex: 844 19
Wael Pharmacy
P.O. Box 648
BAHRAIN
Tel: 256123
Telex: 8550 WAEI BH
E.D.M.

BELGIUM
Hewlett-Packard Belgium S.A./N.V.
Bvd de Woluwe, 100
Woluwe
B-1200 BRUSSELS
Tel: (02) 782-32 00
Telex: 23-494 paloben BU
A.C.H.C.M.S.E.M.S.P.

BRAZIL
Hewlett-Packard do Brasil I.e.C. Ltda.
Alameda Rio Negro, 750
AlphaVila
06400 BARUERI SP
Tel: (011) 421 1311
Telex: (011) 53872 HPBR BR
Cable: HEWPACK Sao Paulo
A.C.H.C.M.S.E.M.S.P.

Hewlett-Packard do Brasil I.e.C. Ltda.
Avenida Epitacio Pessoa, 4664
22471 RIO DE JANEIRO RJ
Tel: (021) 286 0237
Telex: 021 21905 HPBR BR
Cable: HEWPACK Rio de Janeiro
A.C.H.C.M.S.P.

ANAMED I.C.E.I. Ltda
Rua Edgar, 103
04072 SAO PAULO
Tel: (011) 570-5726
Telex: 021-21905 HPBR BR
M

CANADA
Alberta
Hewlett-Packard (Canada) Ltd.
3030 3rd Avenue N.E.
CALGARY, Alberta T2A 6T7
Tel: (403) 235-3100
A.C.H.C.M.S.P.
Hewlett-Packard (Canada) Ltd.
1120A-178th Street
EDMONTON, Alberta T5S 1P2
Tel: (403) 498-6666
A.C.H.C.M.S.E.M.S.P.

British Columbia
Hewlett-Packard (Canada) Ltd.
10801 Spenlow Highway
VICEREGY
Tel: (604) 270-2277
Telex: 610-922-5059
A.C.H.C.M.S.E.M.S.P.*

British Columbia VEX 2W7
Tel: (604) 270-2277
Telex: 610-922-5059
A.C.H.C.M.S.E.M.S.P.*

Manitoba
Hewlett-Packard (Canada) Ltd.
380-550 Century Street
WINNIPEG, Manitoba R3H 0Y1
Tel: (204) 786-6701
A.C.H.C.M.S.P.*

Novo Scotia
Hewlett-Packard (Canada) Ltd.
P.O. Box 931
900 Windmill Road
DARTMOUTH, Nova Scotia B2Y 3Z8
Tel: (902) 468-7920
A.C.H.C.M.S.E.M.S.P.*

Ontario
Hewlett-Packard (Canada) Ltd.
3325 N. Service Rd., Unit 6
BURLINGTON, Ontario P3A 2A3
Tel: (416) 335-9644
C.S.M.
Hewlett-Packard (Canada) Ltd.
Bvd de Woluwe, 100
Woluwe
B-1200 BRUSSELS
Tel: (02) 782-32 00
Telex: 23-494 paloben BU
A.C.H.C.M.S.E.M.S.P.*

Ontario H6E 2S5
Tel: (519) 866-9181
A.C.H.C.M.S.E.M.S.P.*

Ontario L4V 1M8
Tel: (416) 678-9430
A.C.H.C.M.S.E.M.S.P.*

Ontario M2J 1R5
Tel: (416) 499-9333
CH

Quebec
Hewlett-Packard (Canada) Ltd.
17500 South Service Road
Trans-Canada Highway
KIRKLAND, Quebec H3J 2M5
Tel: (514) 697-4232
A.C.H.C.M.S.E.M.S.P.*

Hewlett-Packard (Canada) Ltd.
Les Galeries du Valon
2329 Du Verdon Nord
STE. FUY, Quebec G1N 4C2
Tel: (418) 687-4570
CH

CHILE
Jorge Calcegní y Cia. Ltda.
Av. Italia 634 Santiago
Casilla 16475
SANTIAGO 9
Tel: 232-0222
Telex: Public Booth 440001
A.C.M.E.M.
Olympia (Chile) Ltda.
Av. Rodrigo de Araya 1045
Casilla 256-V
SANTIAGO 21
Tel: (02) 22 55 044
Telex: 240-565 OLYMP CL
Cable: Olympachile Santiago
CH.C.S.P.

CHINA, People's Republic of
China Hewlett-Packard Rep. Office
P.O. Box 418
1A Lane 2, Luchang St.
Beiwai Rd., Xuanwu District
BEIJING
Tel: 33-1947, 33-7426
Telex: 22601 CTSHP CN
Cable: 1920
A.C.H.C.M.S.E.P.

COLOMBIA
Instrumentación
H. A. Langebank & Ker S.A.
Carretera 4A No. 524-26
Apartado Aéreo 6287
BOGOTÁ 1, D.E.
Tel: 212-1466
Telex: 44400 INST CO
Cable: AARS Bogota
CH.C.S.P.
Casa Humboldt Ltda.
Carretera 14, No. 99-60
Apartado Aéreo 51283
BOGOTÁ 1, D.E.
Tel: 256-1686
Telex: 45403 CDAL CO
A

COSTA RICA
Centrifugal Costarricense S.A.
Avenida 2, Calle 5
San Pedro de Montes de Oca
Apartado 10159
SAN JOSE
Tel: 24-38-20, 24-08-19
Telex: 2367 GALGUR CR
CH.C.M.

CYPRUS
Teleraia Ltd.
P.O. Box 4809
14C, Stassanos Avenue
NICOSIA
Tel: 62698
Telex: 2894 LEVDOO CY
E.M.P.

DENMARK
Hewlett-Packard A/S
Datavej 52
DK-3460 BIRKERØD
Tel: (02) 81-56-40
Telex: 37409 hpsa dk
A.C.H.C.M.S.E.M.S.P.
Hewlett-Packard A/S
Rølgædsvej 32
DK-8240 RISSKOV, Aarhus
Tel: (06) 17-60-00
Telex: 37409 hpsa dk
CH.E

DOMINICAN REPUBLIC
Microprog S.A.
Juan Tomás Añeta y Cotes No. 60
Atiyo Hondo
SANTO DOMINGO
Tel: 565-6268
Telex: 4510 ARENTA DR (RCA) P
A.C.M.E.M.

ECUADOR
CYDE Cia. Ltda.
Avenida Eloy Alfaro 1749
Casilla 6423 CCI
QUITO
Tel: 450-975, 243-052
Telex: 2548 CYDE ED
CH.E.P.
Hospital: S.A.
Riobas 625
Casilla 3990
QUITO
Tel: 545-260, 545-122
Telex: 2485 HOSPTL ED
Cable: HOSPITALAR-Duro
M

EGYPT
International Engineering Associates
24 Hussein Hegazi Street
Khartoum
CAIRO
Tel: 23829, 21641
Telex: 6A UN 9380
CH.C.S.E.M.
EGYPTOR
P.O. Box 2558
42 El Zahra Street
CAIRO, Egypt
Tel: 65 20 21
Telex: 83 337
P

EL SALVADOR
PESEA de El Salvador S.A.
29 Avenida Norte 1216
SAN SALVADOR
Tel: 26-6858, 26-6868
Telex: 20539 HPESASAL
A.C.H.C.M.S.E.P.

FINLAND
Hewlett-Packard Oy
Reventuntie 7
PL 24
SF-02101 ESPOO 10
Tel: (90) 4502211
Telex: 121663 hpsa fi
CH.C.M.S.P.
Hewlett-Packard Oy
(Oulunoma) 7
PL 24
02101 ESPOO 10
Tel: (90) 4521022
A.E.M.S.

Hewlett-Packard Oy
Autokivinkatu 10 C
SF-00220 JYVASKYLÄ
Tel: (041) 216318
CH
Hewlett-Packard Oy
Kaarinväylä 1 C
SF-00140 HELSINKI
Tel: (09) 338785
CH

FRANCE
Hewlett-Packard France
21, Mercure St.
Rue Barthelemy
F-13765 Les Milles Cedex
AIX-EN-PROVENCE
Tel: 16 (42) 59-41-02
Telex: 410770F
A.C.H.E.M.S.P.
Hewlett-Packard France
64, rue Marchand Sallart
F-61000 ALENCON
Tel: 16 (33) 29 29 04 42
Hewlett-Packard France
Boite Postale 503
F-25026 BESANCON
28 rue de la République
F-25000 BESANCON
Tel: 16 (81) 83-16-22
CH.M

Hewlett-Packard France
Chemin des Moulins
Boite Postale 162
F-69130 ECULLY Cedex (Lyon)
Tel: 16 (78) 833-81-25
Telex: 310617F
A.C.H.C.S.E.M.P.
Hewlett-Packard France
Touff Lorraine
Boulevard de France
F-91035 EVRY Cedex
Tel: 16 6 077-96-60
Telex: 692315F
E

Hewlett-Packard France
Parc d'Activité du Bois Briard
Ave. du Lac
F-91040 EVRY Cedex
Tel: 16 6 077-8383
Telex: 692315F
E

Hewlett-Packard France
5, avenue Raymond Chanas
F-38200 EVRYENS (Grenoble)
Tel: 16 (40) 25-81-41
Telex: 980124 HP GRENOB EYBE
CH

Hewlett-Packard France
Centre d'Affaire Paris-Nord
Bâtiment Ampère 5 Etage
Rue de la Commune de Paris
Boite Postale 300
F-93153 LE BLANC MESSNIL
Tel: 16 (11) 855-44-52
Telex: 211035F
CH.C.S.E.M.S.

Hewlett-Packard France
Parc d'Activités Casiers
Quartier Jean Mermoz
Avenue du Président J.F. Kennedy
F-33700 MÉRIGNAC (Bordeaux)
Tel: 16 (56) 34 00-94
Telex: 550105F
CH.C.M.S.

Hewlett-Packard France
Immeuble "Les 3 B"
Nouveau Chemin de la Garde
ZAC de Bois Briard
F-44085 NANTES Cedex
Tel: 16 (40) 50-32-22
CH**

MALAYSIA (Cont'd)

Profil Engineering
P.O. Box 1917
Lot 6624, Section 64
23/A Pending Road
Kuching, SARAWAK
Tel: 36299
Telex: MA 70904 PROMAL
A.E.M.
MALTA
Philo Toledo Ltd.
Notaboe Rd.
MIRENE
Tel: 441 47 455 66
Telex: Media MW 649
E.P.

MEXICO

Hewlett-Packard Mexicana, S.A.
de C.V.
Av. Periferico Sur No. 6501
Tepicpan, Michoacan
16200 MEXICO D.F.
Tel: 6-76-46-00
Telex: 17-74-507 HEWPACK MEX
A.C.H.C.S.E.M.P.
Hewlett-Packard Mexicana, S.A.
de C.V.
Ave. Colonia del Valle 409
Col. de Valle
Municipio de Guiza Garcia
MONTREY, Nuevo Leon
Tel: 78 42 41
Telex: 038 410
CH
ECISA
José Vasconcelos No. 218
Cof. Condessa Delgado Cuernavaca
MEXICO D.F. 06140
Tel: 553 1206
Telex: 17-72755 ECE ME
M

MOROCCO

Dobbeu
81 rue Haritch
CASABLANCA
Tel: 3041-82, 3068-38
Telex: 23051, 22822
E
Genep
2 rue d'Agadir
Boite Postale 156
CASABLANCA
Tel: 272093, 272095
Telex: 23 739
P

NETHERLANDS

Hewlett-Packard Nederland B.V.
Van Heuven Goedhartlaan 121
NL 1181 KN AMSTELVEEN
P.O. Box 667
NL 1180 AR AMSTELVEEN
Tel: (020) 47 20 21
Telex: 13 218 HEPA NL
A.C.H.C.M.S.E.M.P.P.
Hewlett-Packard Nederland B.V.
Bongerd 2
NL 2908 VN CAPELLE A/D IJSEL
P.O. Box 41
NL 2900 AA CAPELLE A/D IJSEL
Tel: (10) 51-64-44
Telex: 21261 HEPA NL
A.C.H.C.S.E

Hewlett-Packard Nederland B.V.

Pastoor Petersstraat 134-136
NL 5512 LV Eindhoven
P.O. Box 2342
NL 5600 CH Eindhoven
Tel: (040) 326911
Telex: 51484 hepaa nl
A.C.H.* E.M.
NEW ZEALAND
Hewlett-Packard (N.Z.) Ltd.
5 Dwyns Road
P.O. Box 26-189
Epsom, AUCKLAND
MIRENE
Tel: 441 47 455 66
Telex: Media MW 649
E.P.

NEW ZEALAND

Hewlett-Packard (N.Z.) Ltd.
4 12 Cruckshank Street
Kilmore, WELLINGTON 3
P.O. Box 943
Courtenay Place, WELLINGTON 3
Tel: 677-198
Telex: HEWPACK Auckland
A.C.H.C.M.E.P.
Northrop Instruments & Systems Ltd.
369 Rhyol Pass Road
P.O. Box 8502
AUCKLAND
Tel: 794 091
Telex: 60605
A.M.
Northrop Instruments & Systems Ltd.
110 Mandeville St
P.O. Box 8398
CHRISTCHURCH
Tel: 486 328
Telex: 4203
A.M.

PERU

Cia Electro Médica S.A.
Los Flamencos 145, San Isidro
Casilla 1030
AUCKLAND
Tel: 794 091
Telex: 60605
A.M.
Northrop Instruments & Systems Ltd.
110 Mandeville St
P.O. Box 8398
CHRISTCHURCH
Tel: 486 328
Telex: 4203
A.M.

PHILIPPINES

The Online Advanced Systems
Corporation
Rico House, Amorsolo Cor. Herrera
Street
Legaspi Village, Makati
P.O. Box 1510
Metro **MANILA**
Tel: 85-35-81, 85-34-91, 85-32-21
Telex: 3274 ONLINE
A.C.H.C.S.E.M.
Electronic Specialists and Proponents
Inc.
690-B Espanola de los Santos Avenue
Cubao, **QUEZON CITY**
P.O. Box 2649 Manila
Tel: 88 96 81, 88 96 82, 88 96 83
Telex: 40018, 42000 ITT GLOBE
MACKAY 800TH
P

PORTUGAL

Mundine
Intercomando Mundial de Comercio
S.A.R.L.
P.O. Box 2761
Av. Antonio Augusto de Aguiar 138
P-LISBOA
Tel: (19) 53 21 31, 53 21 37
Telex: 16691 munit p
M
Soquimica
Av. da Liberdade, 220-2
1298 LISBOA Codex
Tel: 56 21 812/3
Telex: 13316 SABASA
P
Telecra-Empresa Técnica de
Equipamentos Eléctricos S.A.R.L.
Rua Rodrigo de Fonseca 103
P.O. Box 2831
P-LISBOA 1
Tel: (19) 66 60 72
Telex: 22568
CH.C.S.E.P.

PAKISTAN

Mushko & Company Ltd.
1-B, Street 47
Sector F-8/1
ISLAMABAD
Tel: 51071
Cable: FEMUS Rawalpindi
A.E.M.
Gosman Chambers
Abdullah Haroon Road
KARACHI 0302
Tel: 524 331, 524 132
Telex: 2924 MUSKO PK
Cable: COOPERATOR Karachi
A.E.M.P.

PANAMA

Electrónico Balboa, S.A.
Calle Samuel Lewis, Ed. Alfa
Apartado 4929
PANAMA 5
Tel: 63 6613, 63-6748
Telex: 3483 ELECTRON PG
A.C.M.E.M.P.

PERU

Cia Electro Médica S.A.
Los Flamencos 145, San Isidro
Casilla 1030
AUCKLAND
Tel: 794 091
Telex: 60605
A.M.
Northrop Instruments & Systems Ltd.
110 Mandeville St
P.O. Box 8398
CHRISTCHURCH
Tel: 486 328
Telex: 4203
A.M.

PHILIPPINES

The Online Advanced Systems
Corporation
Rico House, Amorsolo Cor. Herrera
Street
Legaspi Village, Makati
P.O. Box 1510
Metro **MANILA**
Tel: 85-35-81, 85-34-91, 85-32-21
Telex: 3274 ONLINE
A.C.H.C.S.E.M.
Electronic Specialists and Proponents
Inc.
690-B Espanola de los Santos Avenue
Cubao, **QUEZON CITY**
P.O. Box 2649 Manila
Tel: 88 96 81, 88 96 82, 88 96 83
Telex: 40018, 42000 ITT GLOBE
MACKAY 800TH
P

PORTUGAL

Mundine
Intercomando Mundial de Comercio
S.A.R.L.
P.O. Box 2761
Av. Antonio Augusto de Aguiar 138
P-LISBOA
Tel: (19) 53 21 31, 53 21 37
Telex: 16691 munit p
M
Soquimica
Av. da Liberdade, 220-2
1298 LISBOA Codex
Tel: 56 21 812/3
Telex: 13316 SABASA
P
Telecra-Empresa Técnica de
Equipamentos Eléctricos S.A.R.L.
Rua Rodrigo de Fonseca 103
P.O. Box 2831
P-LISBOA 1
Tel: (19) 66 60 72
Telex: 22568
CH.C.S.E.P.

PUERTO RICO

Hewlett-Packard Puerto Rico
Ave. Muñoz Rivera #101
Esq. Calle Ochoa
HATO REY, Puerto Rico 00918
Tel: (809) 754-7800
Hewlett-Packard Puerto Rico
Calle 272 Edificio 203
Urb. Country Club
RIO PIDENAS, Puerto Rico
P.O. Box 4407
CAROLINA, Puerto Rico 00628
Tel: (809) 762-7255
A.C.H.C.S.

QATAR

Computerba
P.O. Box 2750
DOHA
Tel: 682555
Telex: 4806 CHPARB
E
Eastern Technical Services
P.O. Box 4747
DOHA
Tel: 329 893
Telex: 4156 EASTEC OH
Nasser Trading & Contracting
P.O. Box 1563
DOHA
Tel: 22 710, 23239
Telex: 4439 MASSER OH
M

SAUDI ARABIA

Modern Electronic Establishment
Hewlett-Packard Division
P.O. Box 22015
Touqoob
AL-RIYADH
Tel: 895-1760, 895-1764
Telex: 671 106 HPMEER SJ
Cable: ELECTA AL RIYADH
CH.C.S.E.M.
Modern Electronic Establishment
Hewlett-Packard Division
P.O. Box 1229
JEDDAH
Tel: 844 38 48
Telex: 4027 12 FARNAS SJ
Cable: ELECTA JEDDAH
CH.C.S.E.M.
Modern Electronic Establishment
Hewlett-Packard Division
P.O. Box 22015
RIYADH
Tel: 491-97 15, 491-83 87
Telex: 202049 MEERYD SJ
CH.C.S.E.M.
Abdul Ghani El Ajou
P.O. Box 78
RIYADH
Tel: 40 41 717
Telex: 200 932 EL AJOU
P

SCOTLAND

See United Kingdom
See United Kingdom
SINGAPORE
Hewlett-Packard Singapore (Sales)
Pte. Ltd.
408 00 Inchange House
450 2 Alexandra Road
P.O. Box 58 Alexandra Rd. Post Office
SINGAPORE, 9115
Tel: 631788
Telex: HPSGSD RS 34209
Cable: HEWPACK, Singapore
A.C.H.C.S.E.M.S.P.

SINGAPORE (Cont'd)

Hewlett-Packard Española S.A.
Calle Ramón Gordo, 1 (Entlo. 3)
E-VALENCIA 10
Tel: 361-1354
CH.P.
SWEDEN
Hewlett-Packard Sverige AB
Sunnarvägen 14
S-22226 LUND
Tel: (046) 13 89-79
Telex: (854) 17886 (via Spånga
office)
Hewlett-Packard Sverige AB
Östra Tallgatan 3
S-21128 MALMO
Tel: (040) 70270
Telex: (854) 17886 (via Spånga
office)
Hewlett-Packard Sverige AB
Västtra Vintergatan 9
S-70344 ÖREBRO
Tel: (19) 10 48 80
Telex: (854) 17886 (via Spånga
office)
Hewlett-Packard So Africa (Pty.) Ltd.
P.O. Box 37099
92 Overport Drive
DURBAN 4067
Tel: 28-4178, 28-4179, 28-4110
Tel: 6-22954
CH.C.M.
Hewlett-Packard So Africa (Pty.) Ltd.
5 Linton Arcade
5 111 Cape Road
Linton Grange
PORT ELIZABETH 6000
Tel: 041-300148
CH
Hewlett-Packard So Africa (Pty.) Ltd.
P.O. Box 33345
Gerstenaar 0010 **TRANSVAAL**
1st Floor East
Consentia Park Ridge Shopping
Centre
Constania Park
PRETORIA
Tel: 982043
Telex: 32163
CH.E.
Hewlett-Packard So Africa (Pty.) Ltd.
Private Bag Wendywood
SANTON 2144
Tel: 802-5111, 802-5125
Telex: 4-20877
Cable: HEWPACK Johannesburg
SPAIN
Hewlett-Packard Española S.A.
Calle Entenza, 321
E-BARCELONA 29
Tel: 322 24 51, 321 73 54
Telex: 52603 hpbee
A.C.H.C.S.E.M.S.P.
Hewlett-Packard Española S.A.
Calle San Vicente S/No
Edificio Alba II
E-BILBAO 1
Tel: 423 83 06
A.C.H.E.M.S.
Hewlett-Packard Española S.A.
C/ra. de la Concha, Km. 16, 400
Las Rozas
E-MADRID
Tel: (1) 637 00 11
CH.C.M.
Hewlett-Packard Española S.A.
Avenida S. Francisco Javier, S/No
Planta 10, Edificio Sevilla 2,
E-SEVILLA 5
Tel: 54 44 54
Telex: 72633
A.C.S.M.S.P.

SINGAPORE (Cont'd)

Hewlett-Packard Española S.A.
Calle Ramón Gordo, 1 (Entlo. 3)
E-VALENCIA 10
Tel: 361-1354
CH.P.
SWEDEN
Hewlett-Packard Sverige AB
Sunnarvägen 14
S-22226 LUND
Tel: (046) 13 89-79
Telex: (854) 17886 (via Spånga
office)
Hewlett-Packard Sverige AB
Östra Tallgatan 3
S-21128 MALMO
Tel: (040) 70270
Telex: (854) 17886 (via Spånga
office)
Hewlett-Packard Sverige AB
Västtra Vintergatan 9
S-70344 ÖREBRO
Tel: (19) 10 48 80
Telex: (854) 17886 (via Spånga
office)
Hewlett-Packard So Africa (Pty.) Ltd.
P.O. Box 37099
92 Overport Drive
DURBAN 4067
Tel: 28-4178, 28-4179, 28-4110
Tel: 6-22954
CH.C.M.
Hewlett-Packard So Africa (Pty.) Ltd.
5 Linton Arcade
5 111 Cape Road
Linton Grange
PORT ELIZABETH 6000
Tel: 041-300148
CH
Hewlett-Packard So Africa (Pty.) Ltd.
P.O. Box 33345
Gerstenaar 0010 **TRANSVAAL**
1st Floor East
Consentia Park Ridge Shopping
Centre
Constania Park
PRETORIA
Tel: 982043
Telex: 32163
CH.E.
Hewlett-Packard So Africa (Pty.) Ltd.
Private Bag Wendywood
SANTON 2144
Tel: 802-5111, 802-5125
Telex: 4-20877
Cable: HEWPACK Johannesburg
SPAIN
Hewlett-Packard Española S.A.
Calle Entenza, 321
E-BARCELONA 29
Tel: 322 24 51, 321 73 54
Telex: 52603 hpbee
A.C.H.C.S.E.M.S.P.
Hewlett-Packard Española S.A.
Calle San Vicente S/No
Edificio Alba II
E-BILBAO 1
Tel: 423 83 06
A.C.H.E.M.S.
Hewlett-Packard Española S.A.
C/ra. de la Concha, Km. 16, 400
Las Rozas
E-MADRID
Tel: (1) 637 00 11
CH.C.M.
Hewlett-Packard Española S.A.
Avenida S. Francisco Javier, S/No
Planta 10, Edificio Sevilla 2,
E-SEVILLA 5
Tel: 54 44 54
Telex: 72633
A.C.S.M.S.P.

SINGAPORE (Cont'd)

Hewlett-Packard Española S.A.
Calle Ramón Gordo, 1 (Entlo. 3)
E-VALENCIA 10
Tel: 361-1354
CH.P.
SWEDEN
Hewlett-Packard Sverige AB
Sunnarvägen 14
S-22226 LUND
Tel: (046) 13 89-79
Telex: (854) 17886 (via Spånga
office)
Hewlett-Packard Sverige AB
Östra Tallgatan 3
S-21128 MALMO
Tel: (040) 70270
Telex: (854) 17886 (via Spånga
office)
Hewlett-Packard Sverige AB
Västtra Vintergatan 9
S-70344 ÖREBRO
Tel: (19) 10 48 80
Telex: (854) 17886 (via Spånga
office)
Hewlett-Packard So Africa (Pty.) Ltd.
P.O. Box 37099
92 Overport Drive
DURBAN 4067
Tel: 28-4178, 28-4179, 28-4110
Tel: 6-22954
CH.C.M.
Hewlett-Packard So Africa (Pty.) Ltd.
5 Linton Arcade
5 111 Cape Road
Linton Grange
PORT ELIZABETH 6000
Tel: 041-300148
CH
Hewlett-Packard So Africa (Pty.) Ltd.
P.O. Box 33345
Gerstenaar 0010 **TRANSVAAL**
1st Floor East
Consentia Park Ridge Shopping
Centre
Constania Park
PRETORIA
Tel: 982043
Telex: 32163
CH.E.
Hewlett-Packard So Africa (Pty.) Ltd.
Private Bag Wendywood
SANTON 2144
Tel: 802-5111, 802-5125
Telex: 4-20877
Cable: HEWPACK Johannesburg
SPAIN
Hewlett-Packard Española S.A.
Calle Entenza, 321
E-BARCELONA 29
Tel: 322 24 51, 321 73 54
Telex: 52603 hpbee
A.C.H.C.S.E.M.S.P.
Hewlett-Packard Española S.A.
Calle San Vicente S/No
Edificio Alba II
E-BILBAO 1
Tel: 423 83 06
A.C.H.E.M.S.
Hewlett-Packard Española S.A.
C/ra. de la Concha, Km. 16, 400
Las Rozas
E-MADRID
Tel: (1) 637 00 11
CH.C.M.
Hewlett-Packard Española S.A.
Avenida S. Francisco Javier, S/No
Planta 10, Edificio Sevilla 2,
E-SEVILLA 5
Tel: 54 44 54
Telex: 72633
A.C.S.M.S.P.

SINGAPORE (Cont'd)

Hewlett-Packard Española S.A.
Calle Ramón Gordo, 1 (Entlo. 3)
E-VALENCIA 10
Tel: 361-1354
CH.P.
SWEDEN
Hewlett-Packard Sverige AB
Sunnarvägen 14
S-22226 LUND
Tel: (046) 13 89-79
Telex: (854) 17886 (via Spånga
office)
Hewlett-Packard Sverige AB
Östra Tallgatan 3
S-21128 MALMO
Tel: (040) 70270
Telex: (854) 17886 (via Spånga
office)
Hewlett-Packard Sverige AB
Västtra Vintergatan 9
S-70344 ÖREBRO
Tel: (19) 10 48 80
Telex: (854) 17886 (via Spånga
office)
Hewlett-Packard So Africa (Pty.) Ltd.
P.O. Box 37099
92 Overport Drive
DURBAN 4067
Tel: 28-4178, 28-4179, 28-4110
Tel: 6-22954
CH.C.M.
Hewlett-Packard So Africa (Pty.) Ltd.
5 Linton Arcade
5 111 Cape Road
Linton Grange
PORT ELIZABETH 6000
Tel: 041-300148
CH
Hewlett-Packard So Africa (Pty.) Ltd.
P.O. Box 33345
Gerstenaar 0010 **TRANSVAAL**
1st Floor East
Consentia Park Ridge Shopping
Centre
Constania Park
PRETORIA
Tel: 982043
Telex: 32163
CH.E.
Hewlett-Packard So Africa (Pty.) Ltd.
Private Bag Wendywood
SANTON 2144
Tel: 802-5111, 802-5125
Telex: 4-20877
Cable: HEWPACK Johannesburg
SPAIN
Hewlett-Packard Española S.A.
Calle Entenza, 321
E-BARCELONA 29
Tel: 322 24 51, 321 73 54
Telex: 52603 hpbee
A.C.H.C.S.E.M.S.P.
Hewlett-Packard Española S.A.
Calle San Vicente S/No
Edificio Alba II
E-BILBAO 1
Tel: 423 83 06
A.C.H.E.M.S.
Hewlett-Packard Española S.A.
C/ra. de la Concha, Km. 16, 400
Las Rozas
E-MADRID
Tel: (1) 637 00 11
CH.C.M.
Hewlett-Packard Española S.A.
Avenida S. Francisco Javier, S/No
Planta 10, Edificio Sevilla 2,
E-SEVILLA 5
Tel: 54 44 54
Telex: 72633
A.C.S.M.S.P.

SINGAPORE (Cont'd)

Hewlett-Packard Española S.A.
Calle Ramón Gordo, 1 (Entlo. 3)
E-VALENCIA 10
Tel: 361-1354
CH.P.
SWEDEN
Hewlett-Packard Sverige AB
Sunnarvägen 14
S-22226 LUND
Tel: (046) 13 89-79
Telex: (854) 17886 (via Spånga
office)
Hewlett-Packard Sverige AB
Östra Tallgatan 3
S-21128 MALMO
Tel: (040) 70270
Telex: (854) 17886 (via Spånga
office)
Hewlett-Packard Sverige AB
Västtra Vintergatan 9
S-70344 ÖREBRO
Tel: (19) 10 48 80
Telex: (854) 17886 (via Spånga
office)
Hewlett-Packard So Africa (Pty.) Ltd.
P.O. Box 37099
92 Overport Drive
DURBAN 4067
Tel: 28-4178, 28-4179, 28-4110
Tel: 6-22954
CH.C.M.
Hewlett-Packard So Africa (Pty.) Ltd.
5 Linton Arcade
5 111 Cape Road
Linton Grange
PORT ELIZABETH 6000
Tel: 041-300148
CH
Hewlett-Packard So Africa (Pty.) Ltd.
P.O. Box 33345
Gerstenaar 0010 **TRANSVAAL**
1st Floor East
Consentia Park Ridge Shopping
Centre
Constania Park
PRETORIA
Tel: 982043
Telex: 32163
CH.E.
Hewlett-Packard So Africa (Pty.) Ltd.
Private Bag Wendywood
SANTON 2144
Tel: 802-5111, 802-5125
Telex: 4-20877
Cable: HEWPACK Johannesburg
SPAIN
Hewlett-Packard Española S.A.
Calle Entenza, 321
E-BARCELONA 29
Tel: 322 24 51, 321 73 54
Telex: 52603 hpbee
A.C.H.C.S.E.M.S.P.
Hewlett-Packard Española S.A.
Calle San Vicente S/No
Edificio Alba II
E-BILBAO 1
Tel: 423 83 06
A.C.H.E.M.S.
Hewlett-Packard Española S.A.
C/ra. de la Concha, Km. 16, 400
Las Rozas
E-MADRID
Tel: (1) 637 00 11
CH.C.M.
Hewlett-Packard Española S.A.
Avenida S. Francisco Javier, S/No
Planta 10, Edificio Sevilla 2,
E-SEVILLA 5
Tel: 54 44 54
Telex: 72633
A.C.S.M.S.P.

Middle East Electronics

P.O. Box 2306
Abu Burnamah
DAMASCUS
Tel: 33 4 5 32
Telex: 411 304
M
TAIWAN
Hewlett-Packard Far East Ltd.
Kaohsiung Office
2/F 68-2 Chung Cheng 3rd Road
KAOHSIUNG
Tel: (07) 241 2318
CH.C.S.E.
Hewlett-Packard Far East Ltd.
Taiwan Branch
8th Floor
337 Fu-Hsing North Road
TAIPEI
Tel: (02) 712-0404
Telex: 24439 HEWPACK
Cable: HEWPACK Taipei
A.C.H.C.M.C.S.E.M.P.
Ing Lin Trading Co
3rd Floor, 7 Jen-Ai Road, Sec. 2
TAIPEI 100
Tel: (02) 3948191
Cable: INGLIN TAIPEI
A

THAILAND

Uthomsa
30 Paspong Ave., Suwong
BANGKOK 5
Tel: 235-5727
Telex: 84439 SINONCO TH
Cable: UNWESA Bangkok
A.C.H.C.S.E.M.
Bangkok Business Equipment Ltd
5/5-6 Dejo Road
BANGKOK
Tel: 234 8670, 234 8671
Telex: 87869-BEQOUP TH
Cable: BSEQOUP Bangkok
P

TRINIDAD & TOBAGO

Caribbean Telecom Ltd
50/A Jennings Avenue
P.O. Box 732
PORT-OF-SPAIN
Tel: 62-44213, 62-44214
Telex: 235,272 HUGCO WG
CH.C.M.P.
Hewlett-Packard (Schweiz) AG
Charstrasse 12
CH-4058 BASEL
Tel: (61) 53 59 20
A
Hewlett-Packard (Schweiz) AG
7, rue du Bois-de-Lan
Case Postale 365
CH-1217 MEYRIN 2
Tel: (0041) 22 83 11-11
Telex: 27333 HPAG CH
CH.C.M.C.S.
Hewlett-Packard (Schweiz) AG
Allmend 2
CH-8967 WIDEN
Tel: (0041) 57 31 21 11
Telex: 53933 hpag ch
Cable: HPAG CH
A.C.H.C.M.C.S.E.M.S.P.

TUNISIA

Tunisienne Electronique
31 Avenue de la Liberte
TUNIS
Tel: 280-144
E.P.
Corama
1 Ter. Av. de Carthage
TUNIS
Tel: 253-821
Telex: 12319 CABAM TN
M
TURKEY
Tekrim Company Ltd
Ivan Cadessi No. 7
Kavakdere, **ANKARA**
Tel: 275900
Telex: 42155 TKNM TR
E

F.M.A.

Medina Eadem Sokak No 41/8
Yuksekkaddesi
ANKARA
Tel: 173 821
Telex: 42 591
M
UNITED ARAB EMIRATES
Emilac Ltd.
P.O. Box 2711
ABU DHABI
Tel: 82 04 19 20
Cable: EMTAC ABUDHABI
Emilac Ltd.
P.O. Box 1641
SHARJAH
Tel: 591 181
Telex: 58136 Emilac Sh
CH.C.S.E.M.P.

UNITED KINGDOM

GREAT BRITAIN
Hewlett-Packard Ltd.
Tralagar House
Navigation Road
ALTRINGHAM
Cheshire WA14 1NU
Tel: 061 928 9422
Telex: 660968
A.C.H.C.S.E.M.S.P.
Hewlett-Packard Ltd.
Estree House, Estree Way
BORHAMWOOD, Herts WD8 1SS
Tel: 01 207 5000
Telex: 8952716
E.C.H.C.S.P.
Hewlett-Packard Ltd.
Oakfield House, Oakfield Grove
Clifton BRISTOL, Avon BS8 2BN
Tel: 0272 736800
Telex: 444302
CH.C.S.E.P.
Hewlett-Packard Ltd.
Bidwell House
Briwell Place
LONDON EC4V 6BS
Tel: 01 583 6565
Telex: 289163
CH.C.S.P.
Hewlett-Packard Ltd.
Four House
257-263 High Street
LONDON COLNEY
Herts AL2 1HA, St. Albans
Tel: 0727 24400
Telex: 1 8952716
CH.C.S.
Hewlett-Packard Ltd.
Pentecost Road
NORMANTON, West Yorkshire WF6 1RN
Tel: 024 895566
Telex: 557355
CH.C.S.P.
Hewlett-Packard Ltd.
The Quadrangle
106-118 Station Road
REDFILL, Surrey RH1 1PS
Tel: 0737 68655
Telex: 947224
CH.C.S.E.P.



SALES & SUPPORT OFFICES

Arranged alphabetically by country

GREAT BRITAIN (Cont'd)

Hewlett-Packard Ltd
Avon House
435 Stratford Road
Shirley, **SOMMERS**, West Midlands
B90 4BE
Tel: (01 745 8800
Telex: 339105
CH.CS.E.P

Hewlett-Packard Ltd
West End House
41 High Street, West End
SOUTHAMPTON
Hamphire S03 3D7
Tel: (042 18 6700
Telex: 477 138
CH.CS.P

Hewlett-Packard Ltd
Esdaile Rd
Wimersh, **WOKINGHAM**
Berkeley RG1 1 5DZ
Tel: (0734 696922
Telex: 848684
E

Hewlett-Packard Ltd
King Street Lane
Wimersh, **WOKINGHAM**
Berkeley RG1 1 5AR
Tel: (0734 784774
Telex: 847178
A,CH.CS.E.M,P,P

Hewlett-Packard Ltd
Nine Mile Ride
Easthampstead, **WOKINGHAM**
Berkeley, RG1 1 3LL
Tel: (0344 773100
Telex: 848805
CH.CS.E.P

IRELAND

NORTHERN IRELAND
Hewlett-Packard Ltd.
Cardic Services Building
95A Franghy Road South
BELFAST BT 10 0B7
Tel: (0232 929-596
Telex: 747626
CH.CS

SCOTLAND
Hewlett-Packard Ltd
SOUTH QUEENFERRY
West Lothian, EH30 9TG
Tel: (031 331 1188
Telex: 72682
CH.CM.CS.E.M,P

UNITED STATES

Alabama
Hewlett-Packard Co.
700 Century Park South, Suite 128
BIRMINGHAM, AL 35226
Tel: (205) 822-6602
A,CH.M

Hewlett-Packard Co.
420 Wynn Drive
HUNTSVILLE, AL 35805
P.O. Box 7700
HUNTSVILLE, AL 35807
Tel: (205) 830-2000
CH,DM,C.S.E.M*

Arizona
Hewlett-Packard Co.
8080 Pointe Parkway West
PHOENIX, AZ 85044
Tel: (602) 273-9000
A,CH,CM,C.S.E.M,S

Hewlett-Packard Co.
2424 East Aragon Road
TUCSON, AZ 85706
Tel: (602) 889-4631
CH,EMS**

California
Hewlett-Packard Co.
99 South Hill Dr.
BRISBANE, CA 94005
Tel: (415) 330-2500
CH,CS

Hewlett-Packard Co.
41 High Street, West End
SOUTHAMPTON
Hamphire S03 3D7
Tel: (042 18 6700
Telex: 477 138
CH.CS.P

Hewlett-Packard Co.
P.O. Box 4230
1430 East Orangehorpe
FULLERTON, CA 92631
Tel: (714) 870-1000
CH,CM,C.S.E.M,P

Hewlett-Packard Co.
320 S. Kellogg, Suite B
GOLETA, CA 93117
Tel: (805) 967-0405
CH

Hewlett-Packard Co.
5400 W. Rosecrans Boulevard
LAWRENCE, CA 92050
P.O. Box 92 105
LOS ANGELES, CA 90009
Tel: (213) 970-7500
Telex: 910 325-6608
CH,CM,C.S.M,P

Hewlett-Packard Co.
3155 Porter Oaks Drive
PALO ALTO, CA 94304
Tel: (415) 857-6000
CH,C.S.E

Hewlett-Packard Co.
4244 So. Market Court, Suite A
P.O. Box 15976
SACRAMENTO, CA 95856
Tel: (916) 929-7222
A*,CH,C.S.E.M,S

Hewlett-Packard Co.
9606 Aero Drive
P.O. Box 23333
SAN DIEGO, CA 92139
Tel: (619) 279-3200
CH,CM,C.S.E.M,P

Hewlett-Packard Co.
2305 Carmo Ramon "C"
SAN RAMON, CA 94583
Tel: (415) 838-5900
CH,CS

Hewlett-Packard Co.
3005 Scott Boulevard
SANTA CLARA, CA 95050
Tel: (408) 888-7000
Telex: 9110 398-0588
A,CH,CM,C.S.E.M,P

Hewlett-Packard Co.
5753 Corsa Avenue
WESTLAKE VILLAGE, CA 91382
Tel: (213) 706-8600
E*,CH,C.S.*

Colorado
Hewlett-Packard Co.
24 Inverness Place, East
ENGLEWOOD, CO 80112
Tel: (303) 949-5000
A,CH,CM,C.S.E.M,S

Hewlett-Packard Co.
8080 Pointe Parkway West
PHOENIX, AZ 85044
Tel: (602) 273-9000
A,CH,CM,C.S.E.M,S

Connecticut
Hewlett-Packard Co.
47 Barnes Industrial Road South
P.O. Box 5007
WALLINGFORD, CT 06492
Tel: (203) 265-7801
A,CH,CM,C.S.E.M,S

Florida
Hewlett-Packard Co.
2901 N.W. 62nd Street
P.O. Box 24210
FORT LAUDERDALE, FL 33307
Tel: (305) 973-2600
CH,C.S.E.M,P

Hewlett-Packard Co.
6177 Lake Ellenor Drive
P.O. Box 13910
ORLANDO, FL 32859
Tel: (305) 859-2900
A,CH,CM,C.S.E.M,S

Hewlett-Packard Co.
5750B N. Hoover Blvd., Suite 123
P.O. Box 15306
TAMPA, FL 33614
Tel: (813) 884-3282
A*,CH,CM,C.S.E.M,P

Georgia
Hewlett-Packard Co.
2000 South Park Place
P.O. Box 15306
ATLANTA, GA 30348
Tel: (404) 955-1500
Telex: 910 766-4890
A,CH,CM,C.S.E.M,P

Hawaii
Hewlett-Packard Co.
Kawanaoa Plaza, Suite 190
HONOLULU, HI 96813
Tel: (808) 526-1555
A,CH,EMS

Illinois
Hewlett-Packard Co.
304 Eldorado Road
P.O. Box 1607
BLOOMINGTON, IL 61701
Tel: (309) 862-9411
CH,MS**

Hewlett-Packard Co.
1100 31st Street, Suite 100
DOWNS GROVE, IL 60515
Tel: (312) 960-5760
CH,CS

Hewlett-Packard Co.
5201 Tollview Drive
ROLLING MEADOWS, IL 60008
Tel: (312) 255-9800
Telex: 910-687-1066
A,CH,CM,C.S.E.M,P

Indiana
Hewlett-Packard Co.
7301 No. Snadeland Avenue
P.O. Box 50807
INDIANAPOLIS, IN 46250
Tel: (317) 842-1000
A,CH,CM,C.S.E.M,S

Iowa
Hewlett-Packard Co.
1778 22nd Street, Suite 1
WEST DES MOINES, IA 50265
Tel: (515) 224-1435
CH,MS*

Kansas
Hewlett-Packard Co.
7804 East Funston Road, #203
WICHITA, KS 67207
Tel: (316) 684-8491
CH

Kentucky
Hewlett-Packard Co.
10300 Linn Station Road, #100
LOUISVILLE, KY 40223
Tel: (502) 426-0100
A,CH,C.S.M,S

Louisiana
Hewlett-Packard Co.
160 James Drive East
ST. ROSE, LA 70087
P.O. Box 1449
KENNER, LA 70063
Tel: (504) 487-4100
A,CH,CM,C.S.E.M,S

Maryland
Hewlett-Packard Co.
3701 Koppers Street
BALTIMORE, MD 21227
Tel: (301) 644-5800
Telex: 710-862-1943
A,CH,CM,C.S.E.M,S

Hewlett-Packard Co.
2 Choke Cherry Road
ROCKVILLE, MD 20850
Tel: (301) 948-6370
A,CH,CM,C.S.E.M,P

Massachusetts
Hewlett-Packard Co.
1775 Mulleuter Road
ANDOVER, MA 01810
Tel: (617) 862-1500
A,C,CH,C.S,CM,E,M,P*

Hewlett-Packard Co.
32 Hartwell Avenue
LEWINGTON, MA 02173
Tel: (617) 861-9869
CH,C.S.E

Michigan
Hewlett-Packard Co.
4326 Cascade Road S.E.
GRAND RAPIDS, MI 49506
Tel: (616) 957-1970
CH,CS,MS

Hewlett-Packard Co.
1771 W. Big Beaver Road
TROY, MI 48064
Tel: (313) 643-6474
CH,CS

Minnesota
Hewlett-Packard Co.
2025 W. Larpentier Ave.
ST. PAUL, MN 55113
Tel: (612) 644-1100
A,CH,DM,C.S.E.M,P

Missouri
Hewlett-Packard Co.
11313 Colorado Avenue
KANSAS CITY, MO 64137
Tel: (816) 763-8000
A,CH,CM,C.S.E.M,S

Missouri
Hewlett-Packard Co.
13001 Hollenberg Drive
BROOKTON, MO 63044
Tel: (314) 344-5100
A,CH,C.S.E.M,S

Nebraska
Hewlett-Packard Co.
3 Crossways Park West
WOODBRURY, NE 11797
Tel: (516) 921-0300
CH,EMS

North Carolina
Hewlett-Packard Co.
5605 Roanoke Way
P.O. Box 26500
GREENSBORO, NC 27420
Tel: (919) 852-1800
A,CH,CM,C.S.E.M,S

Ohio
Hewlett-Packard Co.
3620 Carver Road
CINCINNATI, OH 45242
Tel: (513) 891-9870
CH,C.S.M,S

Hewlett-Packard Co.
16500 Sprague Road
CLEVELAND, OH 44130
Tel: (216) 243-7300
Tel: (614) 436-1041
Efn. Nov. 25, 1983
675 Brookside Blvd
WESTERVILLE, OH 43081
CH,CM,C.S.E.*

Hewlett-Packard Co.
330 Progress Rd.
DAYTON, OH 45449
Tel: (513) 859-8202
A,CH,CM,E*,MS

Oklahoma
Hewlett-Packard Co.
304 N. Meridian, Suite A
P.O. Box 75609
OKLAHOMA CITY, OK 73147
Tel: (405) 846-9409
A*,CH,E*,MS

Hewlett-Packard Co.
3840 S. 103rd E. Avenue, #100
P.O. Box 35747
TULSA, OK 74133
Tel: (918) 665-3300
A*,CH,MS*

Oregon
Hewlett-Packard Co.
9255 S. W. Pioneer Court
P.O. Box 328
WILSONVILLE, OR 97070
Tel: (503) 882-8000
A,CH,C.S.E.M,S

Pennsylvania
Hewlett-Packard Co.
111 Zeta Drive
PITTSBURGH, PA 15238
Tel: (412) 782-0400
A,CH,C.S.E.M,P

Hewlett-Packard Co.
2750 Monroe Boulevard
P.O. Box 715
VALLEY FORGE, PA 19482
Tel: (215) 686-9000
A,CH,CM,E,M

South Carolina
Hewlett-Packard Co.
Brookside Park, Suite 122
1 Harrison Way
P.O. Box 21708
COLUMBIA, SC 29221
Tel: (803) 732-0400
CH,EMS

Hewlett-Packard Co.
Koger Executive Center
Chesterfield Bldg., Suite 124
GREENVILLE, SC 29615
Tel: (803) 297-4120

Tennessee
Hewlett-Packard Co.
224 Pieters Road, Suite 102
P.O. Box 22490
KNOXVILLE, TN 37922
Tel: (615) 991-2371
A*,CH,MS

UNITED STATES (Cont'd)

Nebraska
Hewlett-Packard Co.
10824 Old Mill Rd., Suite 3
OMAHA, NE 68154
Tel: (402) 334-1813
CM,MS

New Jersey
Hewlett-Packard Co.
120 W. Canby Road
PARAMUS, NJ 07652
Tel: (201) 265-5000
A,CH,CM,C.S.E.M,P

Hewlett-Packard Co.
60 New England Av. West
PISCATAWAY, NJ 08854
Tel: (201) 961-1199
A,CH,CM,C.S.E.M,S

New Mexico
Hewlett-Packard Co.
11300 Lomas Blvd., N.E.
P.O. Box 11634
ALBUQUERQUE, NM 87112
Tel: (505) 292-1330
CH,C.S.E.M,S

New York
Hewlett-Packard Co.
5 Computer Drive South
ALBANY, NY 12205
Tel: (518) 458-1550
A,CH,MS

Hewlett-Packard Co.
9600 Man Street
P.O. Box 4C
CLARENCE, NY 14031
Tel: (716) 759-8621
CH

Hewlett-Packard Co.
200 Cross Keys Office Park
FARFORD, NY 14450
Tel: (716) 223-9950
CH,CM,C.S.E.M,S

Hewlett-Packard Co.
7641 Henry Cay Blvd.
LIVERPOOL, NY 13088
Tel: (315) 451-1820
A,CH,CM,C.S.E.M,S

Hewlett-Packard Co.
No. 1 Pennsylvania Plaza
55th Floor
**34th Street & 6th Avenue
MANHATTAN, NY 10119**
Tel: (212) 971-0800
CH,C.S.E.*

Hewlett-Packard Co.
250 Westchester Avenue
WHITE PLAINS, NY 10604
Tel: (914) 684-6100
CM,CH,C.S.E

Hewlett-Packard Co.
3 Crossways Park West
WOODBRURY, NE 11797
Tel: (516) 921-0300
CH,EMS

North Carolina
Hewlett-Packard Co.
5605 Roanoke Way
P.O. Box 26500
GREENSBORO, NC 27420
Tel: (919) 852-1800
A,CH,CM,C.S.E.M,S

Ohio
Hewlett-Packard Co.
3620 Carver Road
CINCINNATI, OH 45242
Tel: (513) 891-9870
CH,C.S.M,S

Hewlett-Packard Co.
16500 Sprague Road
CLEVELAND, OH 44130
Tel: (216) 243-7300
Tel: (614) 436-1041
Efn. Nov. 25, 1983
675 Brookside Blvd
WESTERVILLE, OH 43081
CH,CM,C.S.E.*

Hewlett-Packard Co.
330 Progress Rd.
DAYTON, OH 45449
Tel: (513) 859-8202
A,CH,CM,E*,MS

Oklahoma
Hewlett-Packard Co.
304 N. Meridian, Suite A
P.O. Box 75609
OKLAHOMA CITY, OK 73147
Tel: (405) 846-9409
A*,CH,E*,MS

Hewlett-Packard Co.
3840 S. 103rd E. Avenue, #100
P.O. Box 35747
TULSA, OK 74133
Tel: (918) 665-3300
A*,CH,MS*

Oregon
Hewlett-Packard Co.
9255 S. W. Pioneer Court
P.O. Box 328
WILSONVILLE, OR 97070
Tel: (503) 882-8000
A,CH,C.S.E.M,S

Pennsylvania
Hewlett-Packard Co.
111 Zeta Drive
PITTSBURGH, PA 15238
Tel: (412) 782-0400
A,CH,C.S.E.M,P

Hewlett-Packard Co.
2750 Monroe Boulevard
P.O. Box 715
VALLEY FORGE, PA 19482
Tel: (215) 686-9000
A,CH,CM,E,M

South Carolina
Hewlett-Packard Co.
Brookside Park, Suite 122
1 Harrison Way
P.O. Box 21708
COLUMBIA, SC 29221
Tel: (803) 732-0400
CH,EMS

Hewlett-Packard Co.
Koger Executive Center
Chesterfield Bldg., Suite 124
GREENVILLE, SC 29615
Tel: (803) 297-4120

Tennessee
Hewlett-Packard Co.
224 Pieters Road, Suite 102
P.O. Box 22490
KNOXVILLE, TN 37922
Tel: (615) 991-2371
A*,CH,MS

Hewlett-Packard Co.
3070 Directors Row
MEMPHIS, TN 38131
Tel: (901) 346-8370
A,CH,MS

Texas
Hewlett-Packard Co.
4171 North Mesa
Suite C-110
EL PASO, TX 79902
Tel: (915) 533-3555
CH,E*,MS**

Hewlett-Packard Co.
10535 Harwin Drive
P.O. Box 46816
HOUSTON, TX 77042
Tel: (713) 176-6400
A,CH,CM,C.S.E.M,P

Hewlett-Packard Co.
930 E. Cornbell Rd.
P.O. Box 1270
RICHARDSON, TX 75080
Tel: (214) 231-6101
A,CH,CM,C.S.E.M,P

Hewlett-Packard Co.
1020 Central Parkway South
P.O. Box 30993
SAN ANTONIO, TX 78216
Tel: (512) 494-9336
CH,C.S.E.M,S

Utah
Hewlett-Packard Co.
3530 W. 2100 South
SALT LAKE CITY, UT 84119
Tel: (801) 974-1700
A,CH,C.S.E.M,S

Virginia
Hewlett-Packard Co.
4305 Cox Road
GLEN ALLEN, VA 23060
P.O. Box 9608
RICHMOND, VA 23228
Tel: (804) 747-7750
A,CH,C.S.E.M,S

Washington
Hewlett-Packard Co.
15815 S.E. 37th Street
BELLEVUE, WA 98006
Tel: (206) 843-4000
A,CH,CM,C.S.E.M,P

Hewlett-Packard Co.
706 North Aggonne Road
SPOKANE, WA 99212
Tel: (509) 922-7000
CH,CS

West Virginia
Hewlett-Packard Co.
4604 MacCorkie Ave.
P.O. Box 4297
CHARLESTON, WV 25304
Tel: (304) 925-0492
A,MS

Wisconsin
Hewlett-Packard Co.
150 S. Sunny Slope Road
BROOKFIELD, WI 53005
Tel: (414) 784-8800
A,CH,C.S.E.*M,P

Arizona
Hewlett-Packard Co.
8080 Pointe Parkway West
PHOENIX, AZ 85044
Tel: (602) 273-9000
A,CH,CM,C.S.E.M,S

California
Hewlett-Packard Co.
2424 East Aragon Road
TUCSON, AZ 85706
Tel: (602) 889-4631
CH,EMS**

Florida
Hewlett-Packard Co.
2901 N.W. 62nd Street
P.O. Box 24210
FORT LAUDERDALE, FL 33307
Tel: (305) 973-2600
CH,C.S.E.M,P

Illinois
Hewlett-Packard Co.
304 Eldorado Road
P.O. Box 1607
BLOOMINGTON, IL 61701
Tel: (309) 862-9411
CH,MS**

Indiana
Hewlett-Packard Co.
7301 No. Snadeland Avenue
P.O. Box 50807
INDIANAPOLIS, IN 46250
Tel: (317) 842-1000
A,CH,CM,C.S.E.M,S

Iowa
Hewlett-Packard Co.
1778 22nd Street, Suite 1
WEST DES MOINES, IA 50265
Tel: (515) 224-1435
CH,MS*

Kansas
Hewlett-Packard Co.
7804 East Funston Road, #203
WICHITA, KS 67207
Tel: (316) 684-8491
CH

Kentucky
Hewlett-Packard Co.
10300 Linn Station Road, #100
LOUISVILLE, KY 40223
Tel: (502) 426-0100
A,CH,C.S.M,S

Louisiana
Hewlett-Packard Co.
160 James Drive East
ST. ROSE, LA 70087
P.O. Box 1449
KENNER, LA 70063
Tel: (504) 487-4100
A,CH,CM,C.S.E.M,S

Maryland
Hewlett-Packard Co.
3701 Koppers Street
BALTIMORE, MD 21227
Tel: (301) 644-5800
Telex: 710-862-1943
A,CH,CM,C.S.E.M,S

Massachusetts
Hewlett-Packard Co.
1775 Mulleuter Road
ANDOVER, MA 01810
Tel: (617) 862-1500
A,C,CH,C.S,CM,E,M,P*

Michigan
Hewlett-Packard Co.
4326 Cascade Road S.E.
GRAND RAPIDS, MI 49506
Tel: (616) 957-1970
CH,CS,MS

Minnesota
Hewlett-Packard Co.
2025 W. Larpentier Ave.
ST. PAUL, MN 55113
Tel: (612) 644-1100
A,CH,DM,C.S.E.M,P

Missouri
Hewlett-Packard Co.
13001 Hollenberg Drive
BROOKTON, MO 63044
Tel: (314) 344-5100
A,CH,C.S.E.M,S

Nebraska
Hewlett-Packard Co.
3 Crossways Park West
WOODBRURY, NE 11797
Tel: (516) 921-0300
CH,EMS

North Carolina
Hewlett-Packard Co.
5605 Roanoke Way
P.O. Box 26500
GREENSBORO, NC 27420
Tel: (919) 852-1800
A,CH,CM,C.S.E.M,S

Hewlett-Packard Co.
3070 Directors Row
MEMPHIS, TN 38131
Tel: (901) 346-8370
A,CH,MS

Texas
Hewlett-Packard Co.
4171 North Mesa
Suite C-110
EL PASO, TX 79902
Tel: (915) 533-3555
CH,E*,MS**

Hewlett-Packard Co.
10535 Harwin Drive
P.O. Box 46816
HOUSTON, TX 77042
Tel: (713) 176-6400
A,CH,CM,C.S.E.M,P

Hewlett-Packard Co.
930 E. Cornbell Rd.
P.O. Box 1270
RICHARDSON, TX 75080
Tel: (214) 231-6101
A,CH,CM,C.S.E.M,P

Hewlett-Packard Co.
1020 Central Parkway South
P.O. Box 30993
SAN ANTONIO, TX 78216
Tel: (512) 494-9336
CH,C.S.E.M,S

Utah
Hewlett-Packard Co.
3530 W. 2100 South
SALT LAKE CITY, UT 84119
Tel: (801) 974-1700
A,CH,C.S.E.M,S

Virginia
Hewlett-Packard Co.
4305 Cox Road
GLEN ALLEN, VA 23060
P.O. Box 9608
RICHMOND, VA 23228
Tel: (804) 747-7750
A,CH,C.S.E.M,S

Washington
Hewlett-Packard Co.
15815 S.E. 37th Street
BELLEVUE, WA 98006
Tel: (206) 843-4000
A,CH,CM,C.S.E.M,P

Hewlett-Packard Co.
706 North Aggonne Road
SPOKANE, WA 99212
Tel: (509) 922-7000
CH,CS

West Virginia
Hewlett-Packard Co.
4604 MacCorkie Ave.
P.O. Box 4297
CHARLESTON, WV 25304
Tel: (304) 925-0492
A,MS

Wisconsin
Hewlett-Packard Co.
150 S. Sunny Slope Road
BROOKFIELD, WI 53005
Tel: (414) 784-8800
A,CH,C.S.E.*M,P

Arizona
Hewlett-Packard Co.
8080 Pointe Parkway West
PHOENIX, AZ



11049-90005

Printed in U.S.A.