

Keysight Technologies

Power Supply Connections for Your CET Signal Conditioner Card

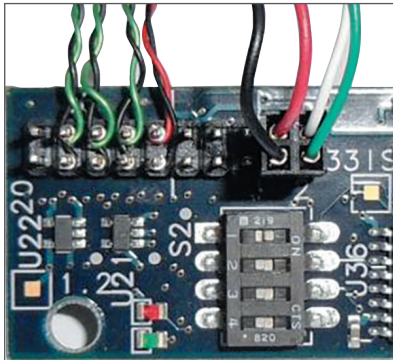
Application Note

Power Requirement for CET Card

The CET signal conditioner card (referenced in this application note as CET card) can be powered from various sources. The recommended sources are discussed in the following sections.

The input supply voltage to the CET card is +12 V @ 0.3 A. The selected source to provide the power needs to be controllable through the test plan execution. Power to the CET card must be uninterrupted for the duration of powered testing. If power to the CET card is disconnected, an “unpowered” command must be issued before turning the power back on.

Power is connected via a wire wrap of AWG28 wires to pins 11 and 12 of J6 of the CET card. There is another pair of power connections on J6 at pins 3 and 4. These are the power connections for the USB and do not provide power to the CET card itself.



Connector J6

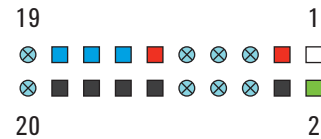


Figure 1. Connections on CET card (J6 connector)

Table 1. Pin layout of J6 connector on CET card

CET card (J6 connector)	Wire color	Wire type	Remarks
Pin 1	White	Boxed header	USB D-
Pin 2	Green		USB D+
Pin 3	Red		USB +
Pin 4	Black		USB -
Pin 5	Not wired		For future use
Pin 6	Not wired		For future use
Pin 7	Not wired		For future use
Pin 8	Not wired		For future use
Pin 9	Not wired		For future use
Pin 10	Not wired		For future use
Pin 11	Red AWG28 Wire	Twisted pair	CET Card Supply (+)
Pin 12	Black AWG28 Wire		CET Card Supply (GND)
Pin 13	Blue AWG28 Wire	Twisted pair	node “~LEM_A~”
Pin 14	Black AWG28 Wire		CET GND
Pin 15	Blue AWG28 Wire	Twisted pair	node “~LEM_R~”
Pin 16	Black AWG28 Wire		CET GND
Pin 17	Blue AWG28 Wire	Twisted pair	node “~LEM_M~”
Pin 18	Black AWG28 Wire		CET GND
Pin 19	Not wired		For future use
Pin 20	Not wired		For future use

Power Requirement for CET Card (continued)

The CET signal conditioner card requires a power supply of +12V @ 0.3A. It is highly recommended to use a DUT power supply to power up the card. Only if DUT power supply is not available, then use alternate methods to power up the CET card as listed below.

Most preferred method for powering up the CET card is:

1. DUT power supplies

Alternate methods only if DUT power supply is not available:

2. Auxiliary power supply with USB interface kit
3. Fixture power supply on ASRU-N Card

The power method and wiring are described in the following sections.

1. DUT Power Supplies

Using the device under test (DUT) power supplies is the simplest way to power the CET card. A DUT power supply channel is well designed with proper isolation between the power nodes on the DUT and the system grounds. DUT power supply output channels are available on the ASRU card MINT pins. Each channel outputs to a group of six MINT pins on the ASRU card.

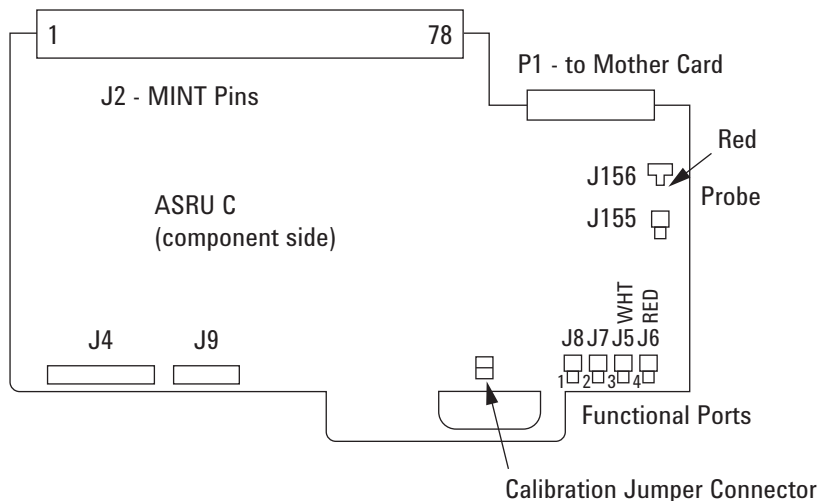


Figure 2. Connector locations on ASRU Card

1. DUT Power Supplies (continued)

Each ASRU card can provide up to six channels of DUT power supply output depending on the model of DUT power supply unit. Details of the pin out on the MINT pins are shown in Table 2.

Table 2. ASRU C MINT pins for DUT power supply output

Bank				
1	2	Pin	Name	Function
78	1	1	P1LA	PS #1 Low A
77	2	2	P1LB	PS #1 Low B
76	3	3	P1HA	PS #1 High A
75	4	4	P1HB	PS #1 High B
74	5	5	P1SL	PS #1 Sense Low
73	6	6	P1SH	PS #1 Sense High
72	7	7	P2LA	PS #2 Low A
71	8	8	P2LB	PS #2 Low B
70	9	9	P2HA	PS #2 High A
69	10	10	P2HB	PS #2 High B
68	11	11	P2SL	PS #2 Sense Low
67	12	12	P2SH	PS #2 Sense High
66	13	13	P3LA	PS #3 Low A
65	14	14	P3LB	PS #3 Low B
64	15	15	P3HA	PS #3 High A
63	16	16	P3HB	PS #3 High B
62	17	17	P3SL	PS #3 Sense Low
61	18	18	P3SH	PS #3 Sense High
60	19	19	P4LA	PS #4 Low A
59	20	20	P4LB	PS #4 Low B
58	21	21	P4HA	PS #4 High A
57	22	22	P4HB	PS #4 High B
56	23	23	P4SL	PS #4 Sense Low
55	24	24	P4SH	PS #4 Sense High
36	43	43	P5LA	PS #5 Low A
35	44	44	P5LB	PS #5 Low B
34	45	45	P5HA	PS #5 High A
33	46	46	P5HB	PS #5 High B
32	47	47	P5SL	PS #5 Sense Low
31	48	48	P5SH	PS #5 Sense High
26	53	53	P6LA	PS #6 Low A
25	54	54	P6LB	PS #6 Low B
24	55	55	P6HA	PS #6 High A
23	56	56	P6HB	PS #6 High B
22	57	57	P6SL	PS #6 Sense Low
21	58	58	P6SH	PS #6 Sense High

1. DUT Power Supplies (continued)

Usually the sense lines of the various channels need to be separately wired to the DUT in order to achieve accurate sensing of the actual voltage present on the DUT. However, this is not required when powering the CET card.

Both A and B pins of the DUT output may be shorted to their respective sense lines, then a single connection made from each of the High and Low outputs to the CET card. An example is shown in Figure 3.

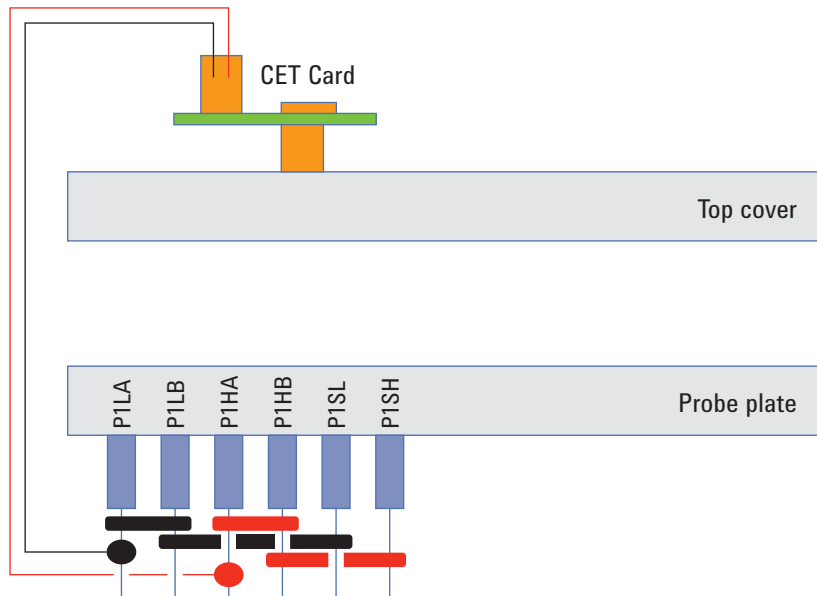


Figure 3. Wiring of DUT power supply output to CET card

Once the connection is established, power to the CET card can be simply controlled from within the test plan using the cps and sps commands.

2. Auxiliary power supply with USB interface kit

This option is only available for ASRU C revision cards, which require the USB interface kit to work with the CET card. Use this option only if DUT power supply is not available to power up the CET card.

With the USB interface kit installed, the user can make use of the 24 V auxiliary port output from the System card for the CET card power. There are a total of five sets of 24 V auxiliary ports on the System card. The first four sets are used by the tester to control the vacuum ports on the test head. This leaves the user with the fifth set to use.

The voltage regulator circuit in the USB interface kit receives the 24 V input from the auxiliary port and regulates it to the 12 V supply that the CET card needs. This 12 V supply channel is isolated from the CET card ground through a relay on the voltage regulator circuit. Figure 4 shows the wiring of the auxiliary port to the voltage regulator circuit.

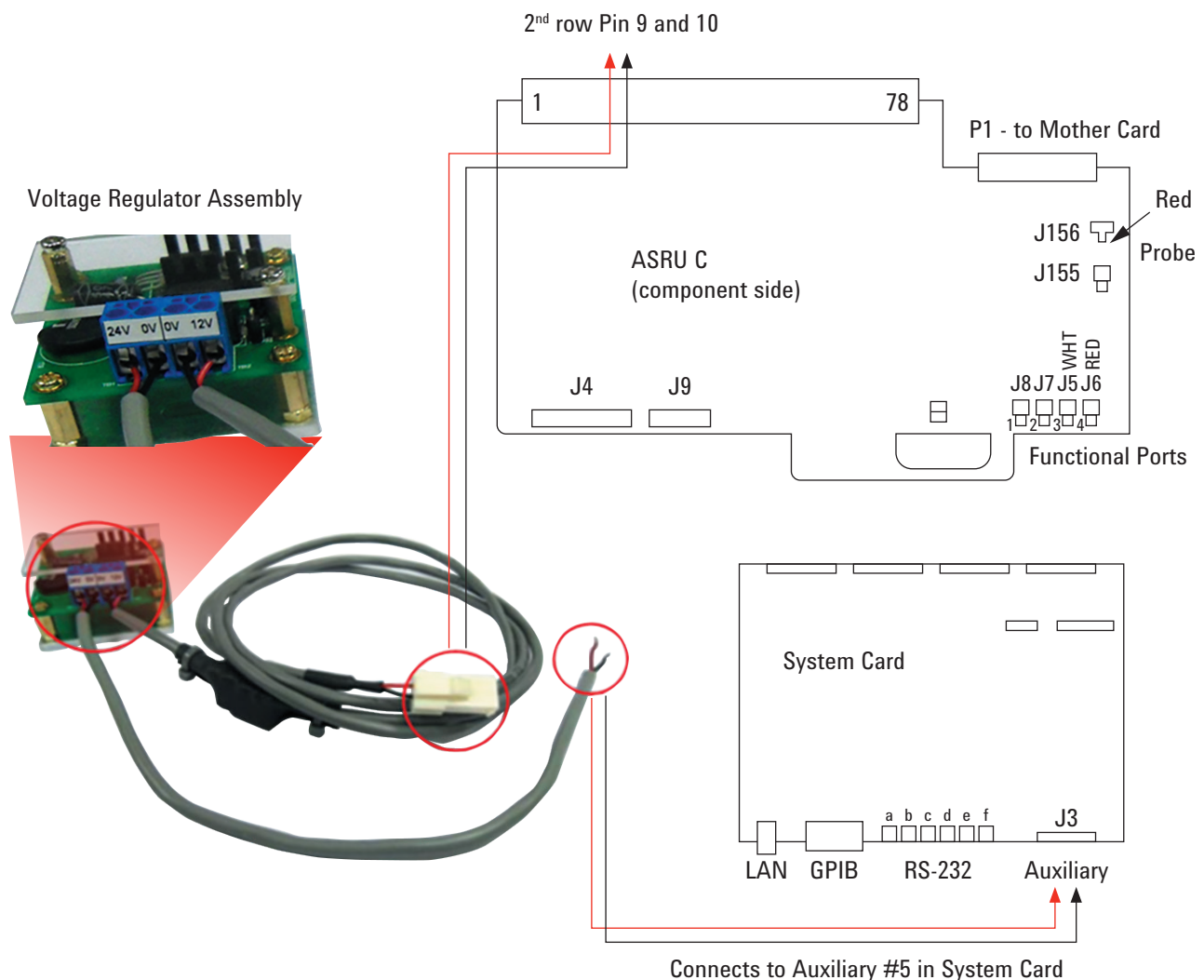


Figure 4. Wiring of Aux #5 to voltage regulator assembly

3. Fixture Power Supplies on ASRU-N Card

The ASRU Revision N card is equipped with two fixed output power supply channels called the Fixture Power Supply channels. Use this option only if DUT power supply is not available to power up the CET card. The Fixture Power Supply (FPS) capability provided by the ASRU-N card is intended for fixture electronics and other external powering purposes. FPS is capable of generating 12 VDC @ 1 A and 5 VDC @ 2 A outputs from the MPU +20 VDC output, and the outputs are connected to the MINT pins (two identical sets of four FPS pins). The 12 VDC output can be used to power the CET card in the fixture.

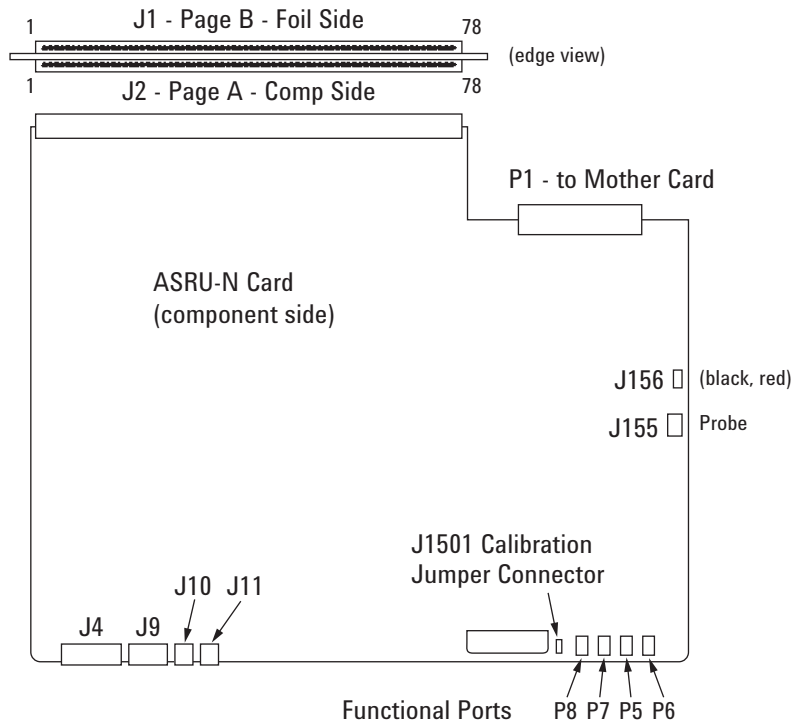


Figure 5. Fixture power supply pin out of ASRU N card

MINT Pins – J1

Pin	Name	Function
9	FPS_12V	Fixture Power Supply 12 V
10	FPS_12VGND	Fixture Power Supply 12 V GND
11	FPS_5V	Fixture Power Supply 5 V
12	FPS_5VGND	Fixture Power Supply 5 V GND

3. Fixture Power Supplies on ASRU-N Card (continued)

It is important to note that if the CET card has been wired as per the latest recommendation where its ground is connected to system ground on the Control Card. No isolating relay is needed between the FPS and the fixture.

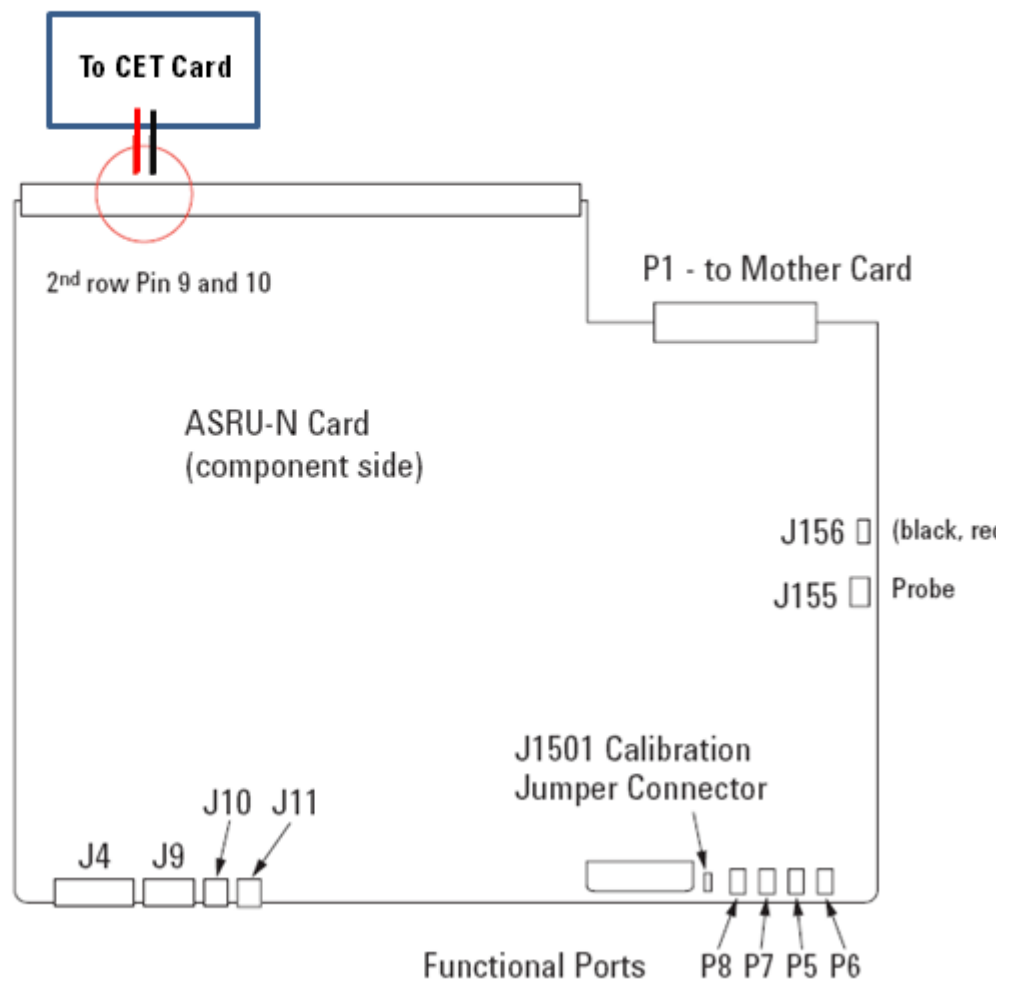


Figure 6. Fixture power supply isolation from system ground

myKeysight

myKeysight

www.keysight.com/find/mykeysight

A personalized view into the information most relevant to you.

Three-Year Warranty

www.keysight.com/find/ThreeYearWarranty

Keysight's commitment to superior product quality and lower total cost of ownership. The only test and measurement company with three-year warranty standard on all instruments, worldwide.



Keysight Assurance Plans

www.keysight.com/find/AssurancePlans

Up to five years of protection and no budgetary surprises to ensure your instruments are operating to specification so you can rely on accurate measurements.



www.keysight.com/go/quality

Keysight Technologies, Inc.
DEKRA Certified ISO 9001:2008
Quality Management System



Keysight Channel Partners

www.keysight.com/find/channelpartners

Get the best of both worlds: Keysight's measurement expertise and product breadth, combined with channel partner convenience.

www.keysight.com/find/limitedaccess

www.keysight.com/find/ict

For more information on Keysight Technologies', Inc. products, applications or services, please contact your local Keysight office. The complete list is available at: www.keysight.com/find/contactus

Americas

Canada	(877) 894 4414
Brazil	55 11 3351 7010
Mexico	001 800 254 2440
United States	(800) 829 4444

Asia Pacific

Australia	1 800 629 485
China	800 810 0189
Hong Kong	800 938 693
India	1 800 112 929
Japan	0120 (421) 345
Korea	080 769 0800
Malaysia	1 800 888 848
Singapore	1 800 375 8100
Taiwan	0800 047 866
Other AP Countries	(65) 6375 8100

Europe & Middle East

Austria	0800 001122
Belgium	0800 58580
Finland	0800 523252
France	0805 980333
Germany	0800 6270999
Ireland	1800 832700
Israel	1 809 343051
Italy	800 599100
Luxembourg	+32 800 58580
Netherlands	0800 0233200
Russia	8800 5009286
Spain	800 000154
Sweden	0200 882255
Switzerland	0800 805353
	Opt. 1 (DE)
	Opt. 2 (FR)
	Opt. 3 (IT)
United Kingdom	0800 0260637

For other unlisted countries:
www.keysight.com/find/contactus
(BP-09-23-14)