


Keysight Technologies

GPIO-BNC Trigger Adapter Simplifies Triggering Connections

For use with the B2901A/02A/11A/12A Series Precision Source/Measure Units (SMUs) and B2961A/62A 6.5 Digit Low Noise Power Sources


The Keysight Technologies, Inc N1294A-031 GPIO-BNC trigger adapter makes it easy to send and receive trigger signals between B2900A Series products and other instruments with BNC triggering connections (such as nano-volt meters and network analyzers).

Examples of Products with BNC Trigger Connections

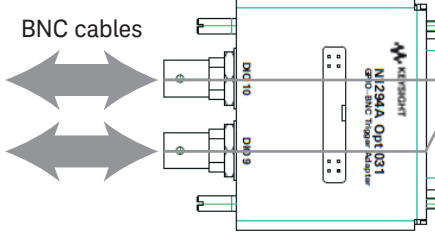


Nano-voltmeter

Network analyzer

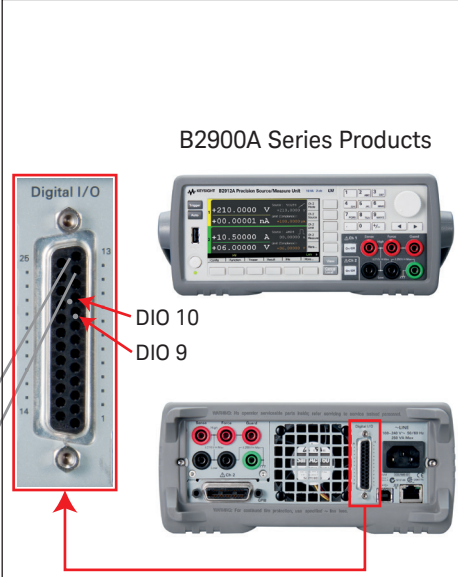


BNC cables



The adapter makes the DIO 9 and DIO 10 pins available as BNC outputs

B2900A Series Products



Digital I/O

DIO 10

DIO 9

Keysight B2900A Series of Precision Instruments

The Keysight B2901A/02A/11A/12A precision source/measure units and Keysight B2961A/62A 6.5 digit low noise power sources have the capability to send and receive trigger signals at any operation point, such as before and after sourcing voltage or current, and before and after making measurements. This capability makes it easy to synchronize the B2900A Series with other instruments, which is useful for a variety of applications.



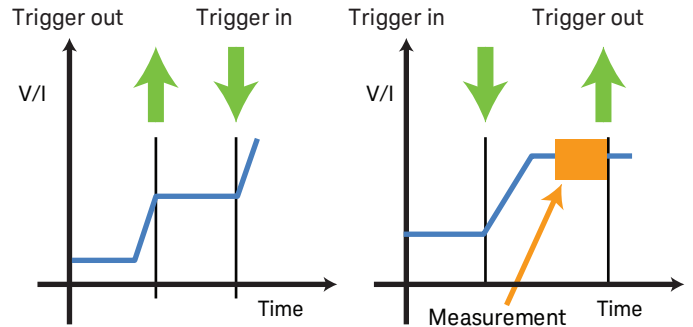
B2961A/62A 6.5 digit low noise power source



B2901A/02A/11A/12A precision SMU

Supplemental Characteristics for Triggering

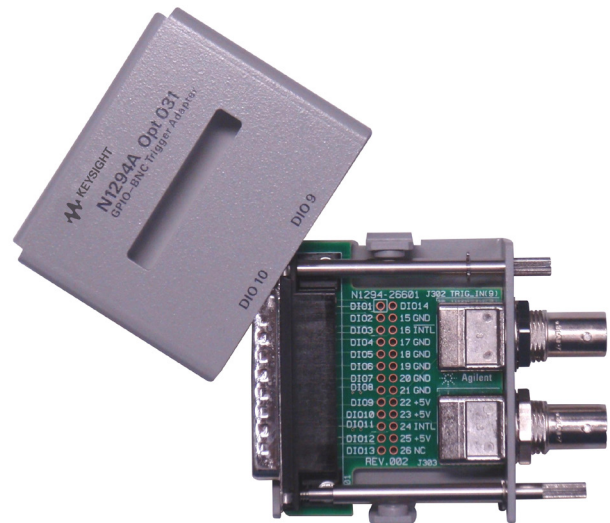
- Digital I/O trigger in to trigger out: $\leq 5 \mu\text{s}$
- Digital I/O trigger in to source change: $\leq 5 \mu\text{s}$
- LXI trigger in to source change: $\leq 200 \mu\text{s}$



Easy GPIO-BNC Trigger Adapter Customization

The adapter also permits you to add additional connections to the digital I/O output. Simply open up the adapter, solder a wire to the adapter's internal printed circuit board, and route it out through the hole on the adapter.¹

1. Keysight Technologies, Inc. assumes no liability for any loss or damage caused by customer customization.



Learn more by watching video demos;

www.youtube.com/user/keysightMeasBasic

www.keysight.com/find/b2900a



This information is subject to change without notice.
 © Keysight Technologies, 2013 - 2014
 Published in USA, August 3, 2014
 5991-3542EN
www.keysight.com