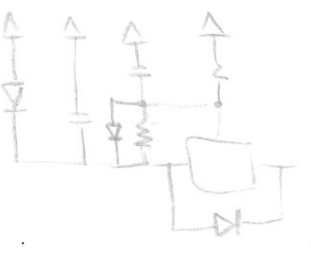


D-08011-60010-1		SYM	REVISIONS	APPROVED	DATE
R	AS ISSUED	MAN CHUL LEE	9-08-90		



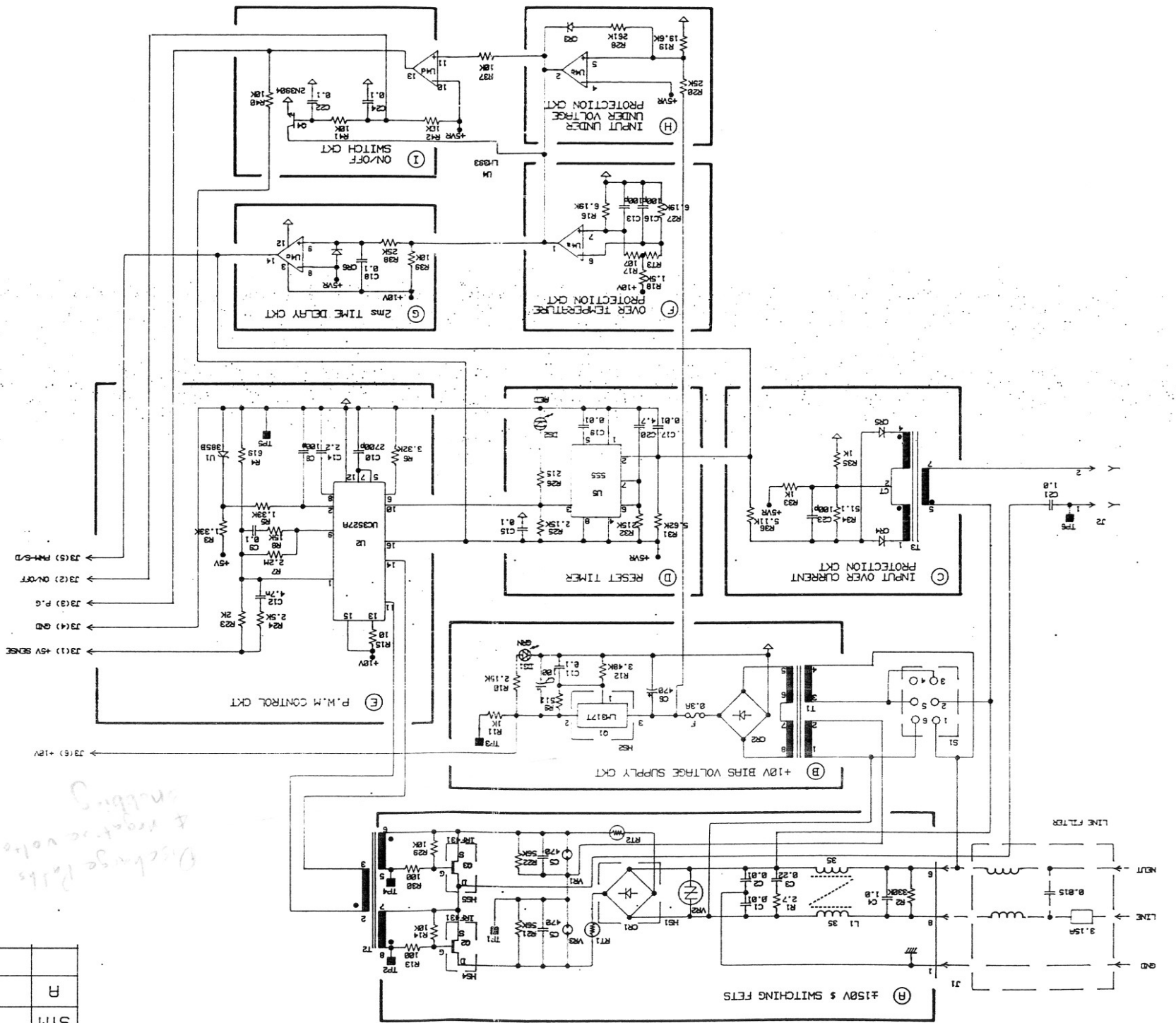
Discharge Paths & positive voltage

NOTES: UNLESS OTHERWISE SPECIFIED,
 1. ALL RESISTOR VALUES ARE IN OHM,
 2. ALL CAPACITOR VALUES ARE IN MICROFARADS,
 3. ALL INDUCTOR VALUES ARE IN MILLIHENRIES.

REFERENCE DESIGNATORS

TP	DUCTOR
C	LAST USED
L	NOT USED
R	

HP PROPRIETARY		HP PROPRIETARY	
THIS DOCUMENT CONTAINS CONFIDENTIAL, PROPRIETARY INFORMATION THAT IS HEWLETT-PACKARD (HP) PROPERTY. DO NOT DISCLOSE TO EXCEPT AS AUTHORIZED BY HP.		RELEASE TO PROD.	
DESIGNED BY	M.C. LEE	DATE	07-31-90
ENGINEER/CHECKER	J.H. KIM	DATE	07-31-90
TITLE		RC-IN	
PART NUMBER		08711-60010	
SHEET 1 OF 1		D-08711-60010-1	

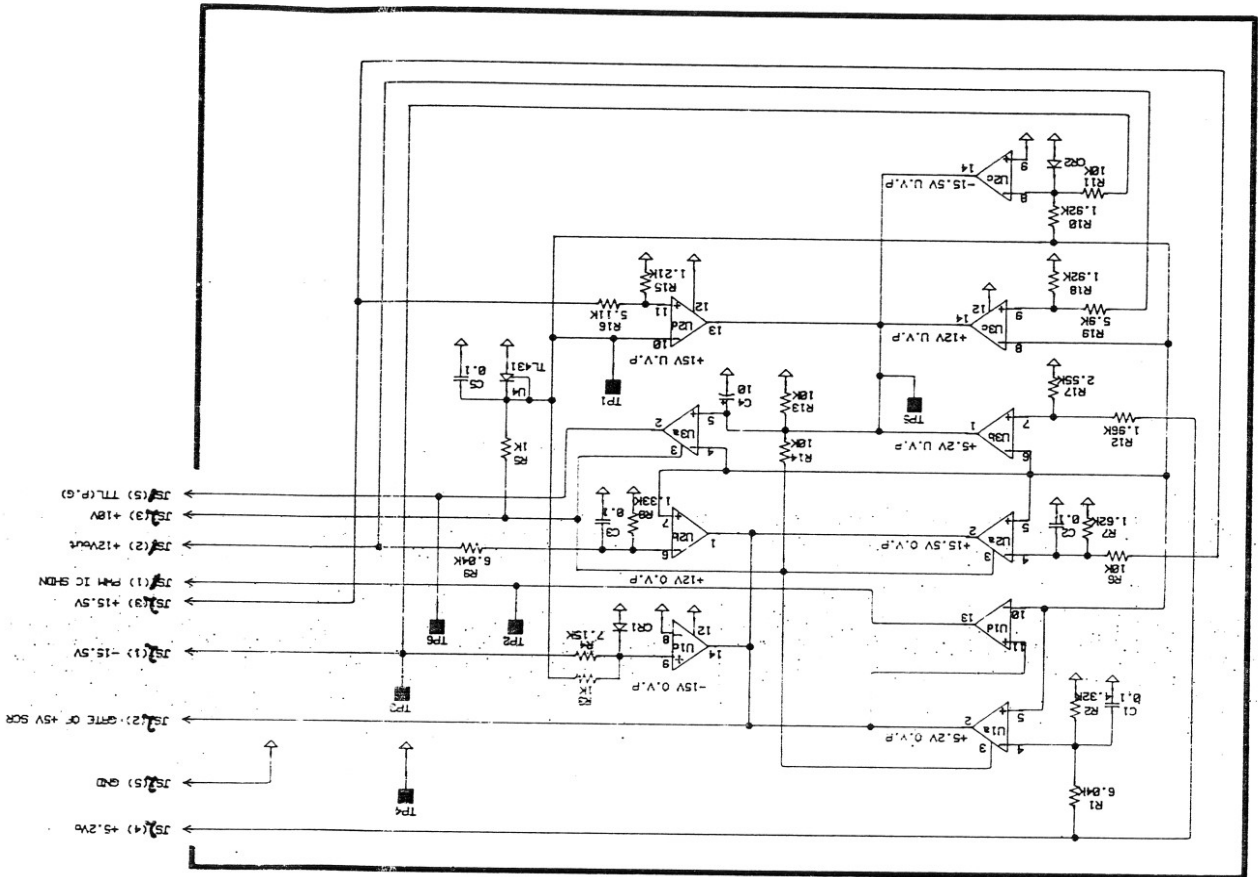
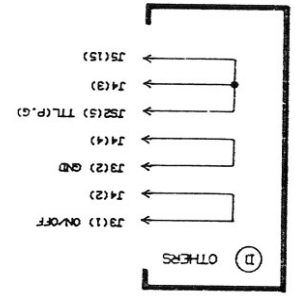


R1 RCIN BOARD

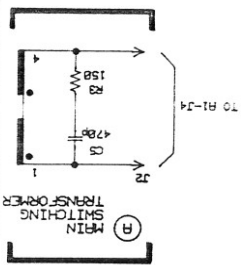
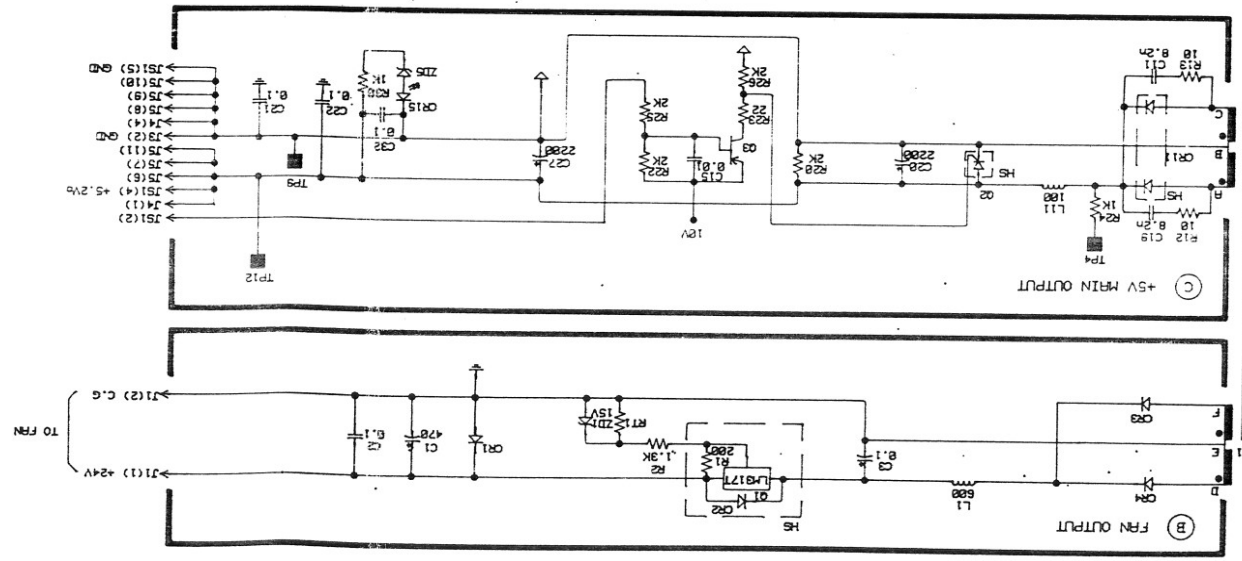
D-08111-60010-2		SHEET 1 of 1	
DC - OUT		TITLE	
DRAWN BY M.C. LEE 27-04-98		DESIGNED BY J.H. KIM 27-04-98	
DATE		DATE	
M.C. LEE		J.H. KIM	
SUPERVISOR DOA.		BUSINESS CHECKER	
HP PROPRIETARY		THIS DOCUMENT CONTAINS CONFIDENTIAL, PROPRIETARY INFORMATION THAT IS HEAVILY-PROTECTED (HP) PROPERTY. DO NOT DISCLOSE TO EXCEPT AS AUTHORIZED BY HP.	
REFUSE TO PROD.		RELEASE TO PROD.	
PROJECT NUMBER 08111-60010		PROJECT NUMBER 08111-60010	
D-08111-60010-2		D-08111-60010-2	

REFERENCE DESIGNATORS	
LAST USED	NOT USED
R	C
L	
Q	
U	
D	
TP	

NOTES: UNLESS OTHERWISE SPECIFIED,
 1. ALL RESISTOR VALUES ARE IN OHM.
 2. ALL CAPACITOR VALUES ARE IN MICROFARADS.
 3. ALL INDUCTOR VALUES ARE IN MICROHENRIES.



R5 SUPERVISORY BOARD

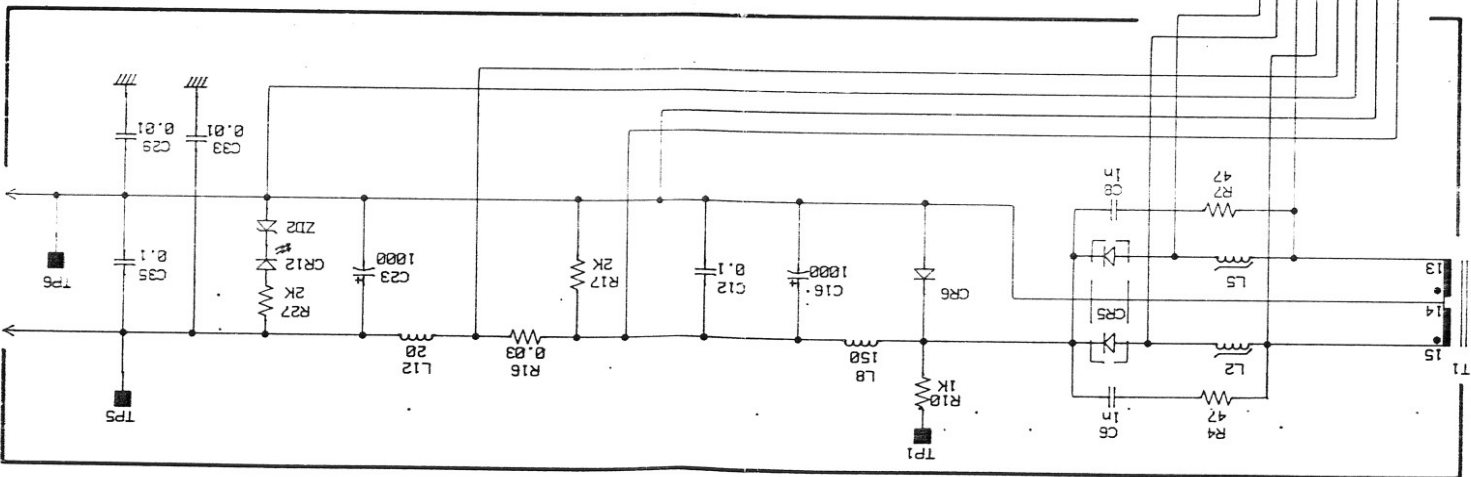


R2 +5V MAIN OUTPUT & FAN OUTPUT OF DCOUT BOARD

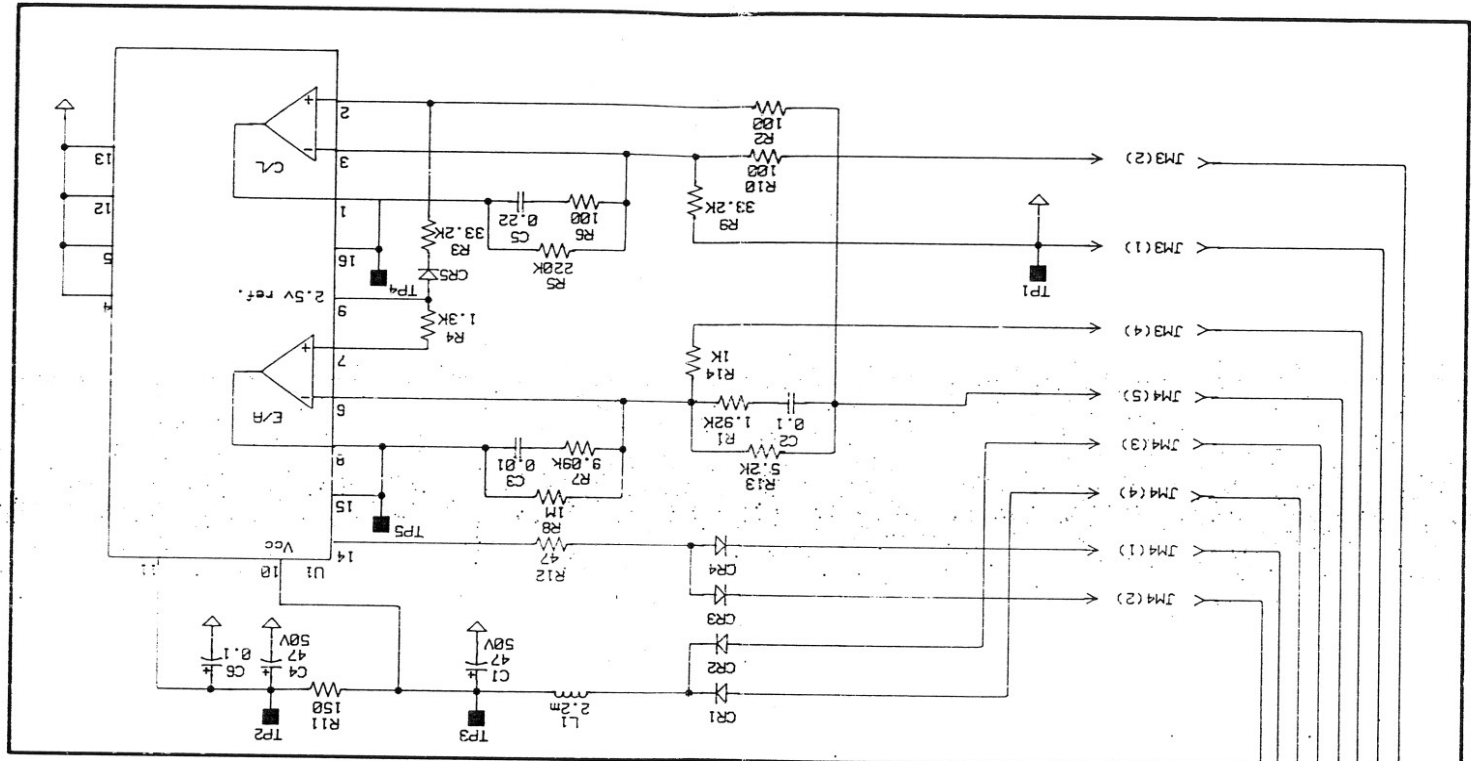
D-08111-60011-2		REVISIONS	
SYM	AS ISSUED	APPROVED	DATE
R	MAN CHUL LEE	9-07	90

D-08711-60010-3		SYM	REVISIONS	APPROVED	DATE
R	AS ISSUED	MAN CHUL LEE	9-07 90		

R2 +15V OUTPUT CKT OF DCOUT BOARD



R3 +15V MAG RMP CONTROL BOARD



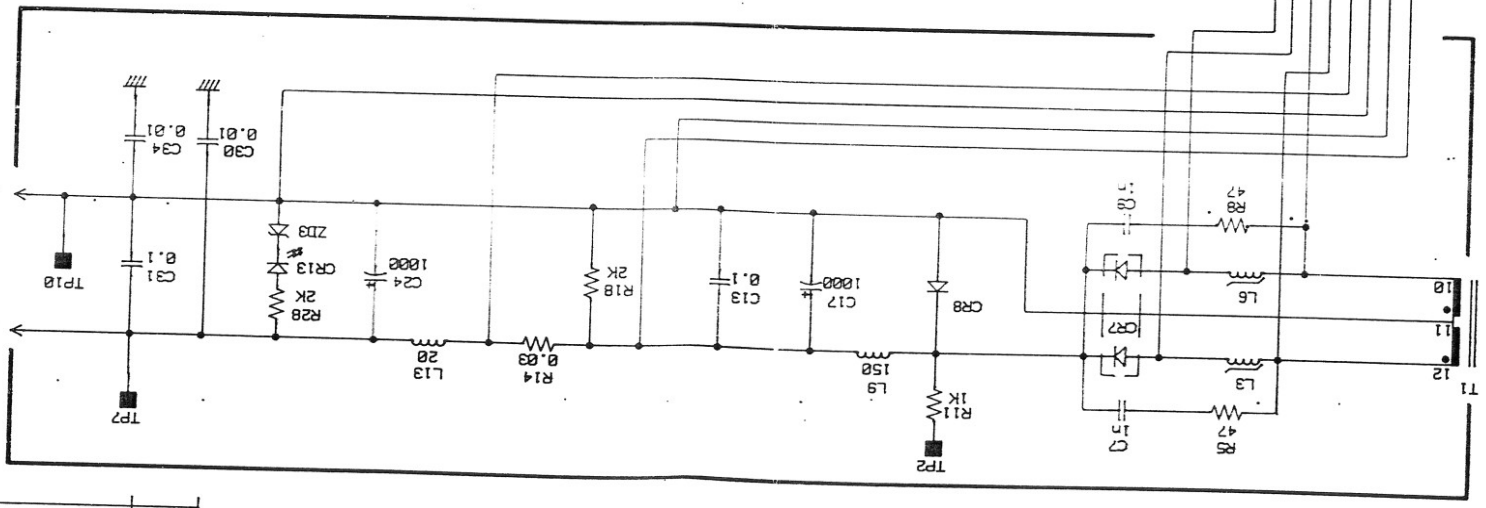
REFERENCE DESIGNATORS	LAST USED	NOT USED
TP	GR	CLR
U	CL	

NOTES: UNLESS OTHERWISE SPECIFIED,
 1. ALL RESISTOR VALUES ARE IN OHM.
 2. ALL CAPACITOR VALUES ARE IN MICROGRAMS.
 3. ALL INDUCTOR VALUES ARE IN MICROGRAMS.
 4. NOTATION: ∇ INDICATES EACH OUTPUT RETURN.

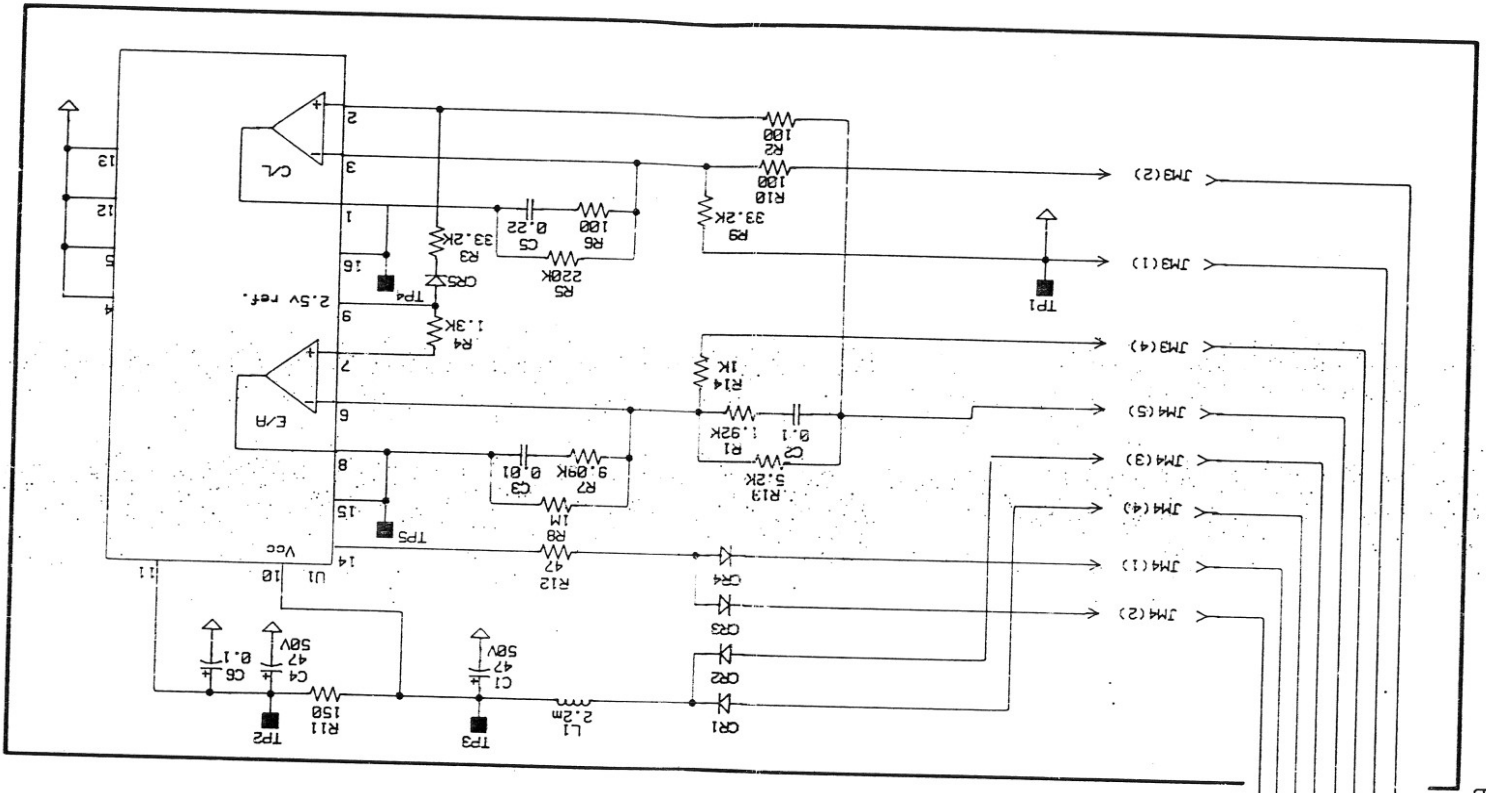
HP PROPRIETARY THIS DOCUMENT CONTAINS CONFIDENTIAL, PROPRIETARY INFORMATION THAT IS HEWLETT-PACKARD (HP) PROPERTY. DO NOT DISCLOSE TO OR DUPLICATE FOR OTHERS EXCEPT AS AUTHORIZED BY HP.	DRAWN BY M.C. LEE DATE 07-31-90	ENGINEER/CHECKER J.H. KIM DATE 07-31-90	RELEASE TO PROD. SUPERVISOR'S DESIG.	TITLE MAG-RMP (+15V)	SCALE SHEET 1 OF 1	PART NUMBER 08711-60010	D-08711-60010-3
--	--	--	---	-------------------------	-----------------------	----------------------------	-----------------

D-087111-60010-4			
SYM	REVISIONS	APPROVED	DATE
R	RS ISSUED	MAN CHUL LEE	9-07 90

R2 -15V OUTPUT CKT OF DCOUT BOARD



R4 -15V MAG AMP CONTROL BOARD



NOTES: UNLESS OTHERWISE SPECIFIED,
 1. ALL RESISTOR VALUES ARE IN OHM.
 2. ALL CAPACITOR VALUES ARE IN MICROFARADS.
 3. ALL DIMENSION VALUES ARE IN MILLIMETERS.
 4. NOTATION: ↑ INDICATES GROUND OUTPUT RETURN.

REFERENCE DESIGNATORS	NOT USED	TP D Q R U C L R

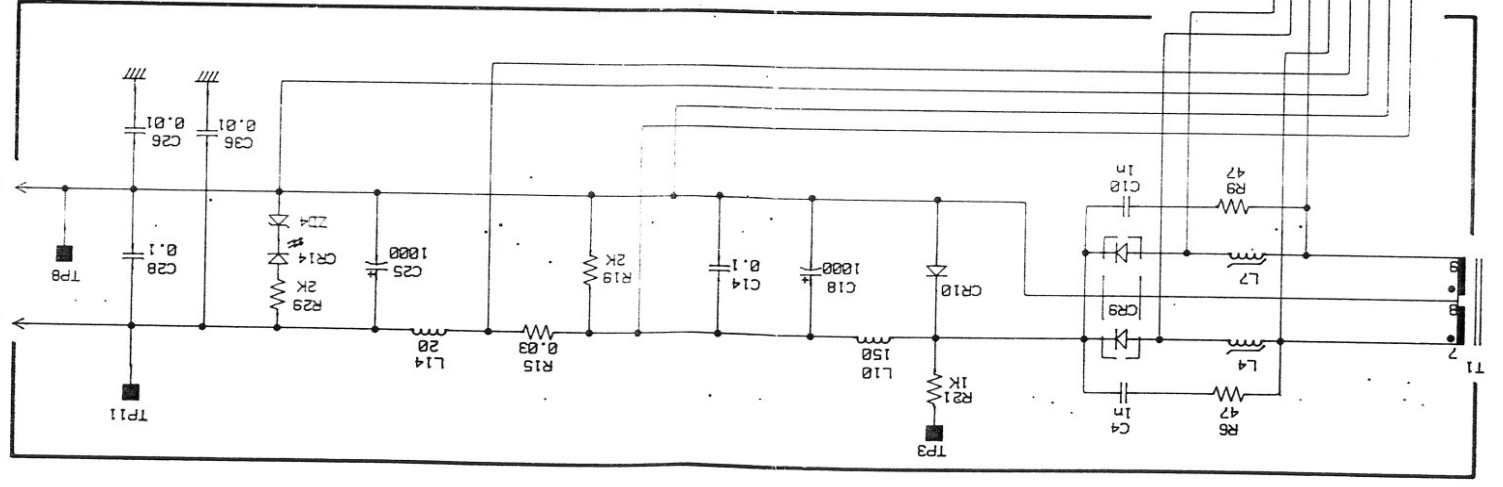
HP PROPRIETARY		DATE	07-31-90	DESIGNED BY	M. C. LEE
THIS DOCUMENT CONTAINS CONFIDENTIAL, PROPRIETARY INFORMATION THAT IS HEWLETT-PACKARD (HP) PROPERTY. DO NOT DISCLOSE TO EXCEPT AS AUTHORIZED BY HP.		ENGINEER/CHECKER	07-31-90	TITLE	MAG-RMP (-15V)
		RELEASE TO PROD.		PART NUMBER	28711-60010
		SUPERSEDES DWM		DRAWING NUMBER	D-28711-60010-4



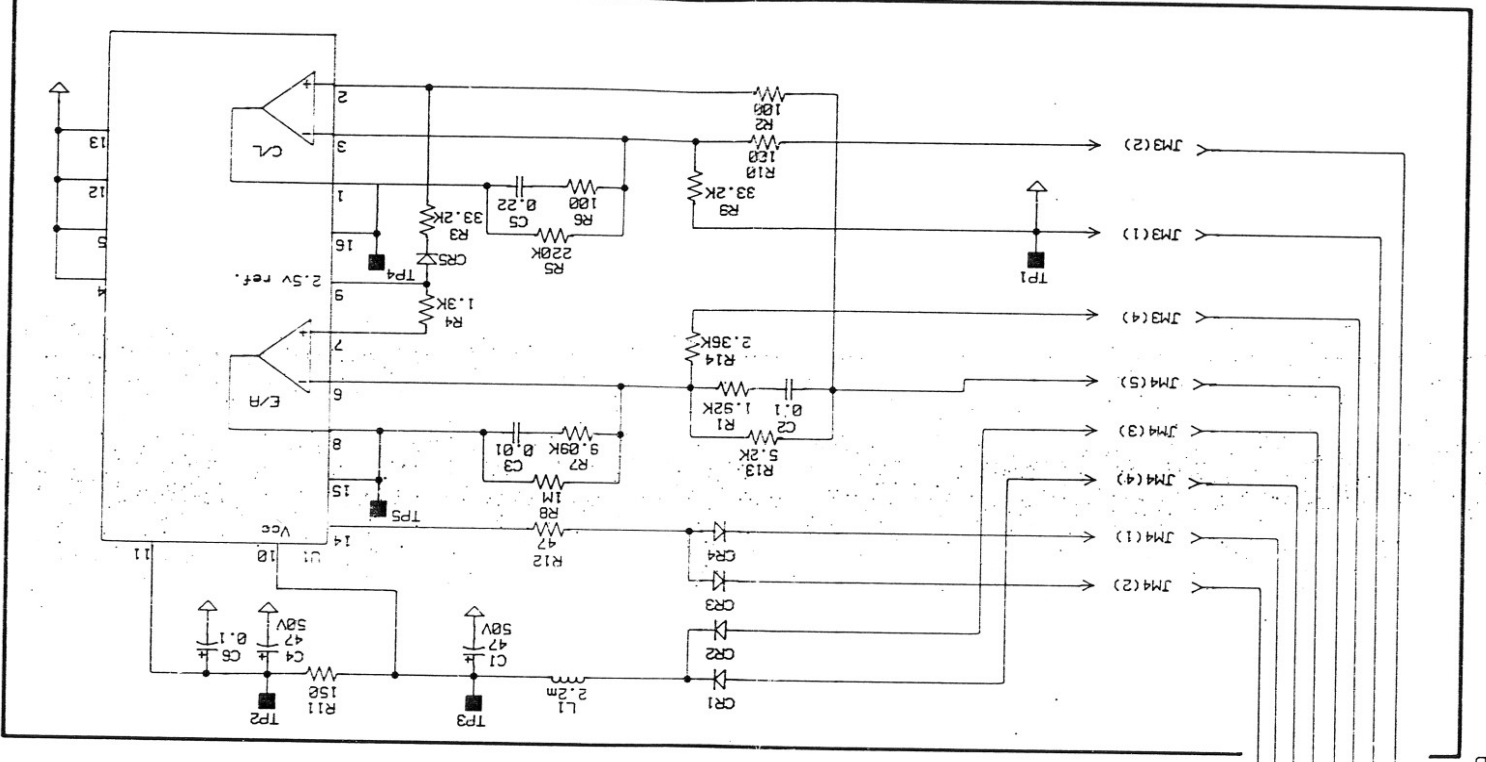
SAMSUNG
HEWLETT-PACKARD

D-08711-60010-5			
SYM	REVISIONS	APPROVED	DATE
A	AS ISSUED	MAN CHUL LEE	9-07 90

R2 +12V OUTPUT CKT OF DCOUT BOARD



R5 +12V MAG AMP CONTROL BOARD



NOTES: UNLESS OTHERWISE SPECIFIED,
 1. ALL RESISTOR VALUES ARE IN OHM.
 2. ALL CAPACITOR VALUES ARE IN MICROFARADS.
 3. ALL INDUCTOR VALUES ARE IN MILLISECOND.
 4. NOTATION ∇ INDICATES EACH OUTPUT RETURN.

REFERENCE DESIGNATORS	LAST USED	TP D O R C L R
	NOT USED	C L R

HP PROPRIETARY
 THIS DOCUMENT CONTAINS CONFIDENTIAL, PROPRIETARY INFORMATION THAT IS HEWLETT-PACKARD (HP) PROPERTY. DO NOT DISCLOSE TO ANY OTHERS OR DUPLICATE FOR OTHERS EXCEPT AS AUTHORIZED BY HP.

DRAWN BY: M.C. LEE
 DATE: 07-31-90

ENGINEER/CHECKER: J.H. KIM
 DATE: 07-31-90

TITLE: MAG-RMP (+12V)

PART NUMBER: 08711-60010
 SAMSUNG HEWLETT-PACKARD

D-08711-60010-5 SHEET 1 OF 1