




**Component-Level Information Packet
for 08713-60004**

Source (8713B/14B)



HP Part No. 08712-90037
Printed in USA December 1995

Notice. The information contained in this document is subject to change without notice.

Hewlett-Packard makes no warranty of any kind with regard to this material, including, but not limited to, the implied warranties of merchantability and fitness for a particular purpose. Hewlett-Packard shall not be liable for errors contained herein or for incidental or consequential damages in connection with the furnishing, performance, or use of this material.

©Copyright Hewlett-Packard Company 1990, 1991, 1992, 1993, 1994, 1995
All Rights Reserved. Reproduction, adaptation, or translation without prior written permission is prohibited, except as allowed under the copyright laws.

**HP Part Number 08713-60004
Source (8713B/14B)**

Reference Designator	HP Part Number	Qty	Description	Mfr Code	Mfr Part Number
C1	0160-6104	1	CAP-FXD 2200pF +-5% 50 V CER C0G	28480	0160-6104
C2	0160-5975	1	CAP-FXD 10pF +-5% 50 V CER C0G	28480	0160-5975
C3	0160-5944	1	CAP-FXD 0.047uF +-10% 50 V CER X7R	28480	0160-5944
C4	0160-5964	1	CAP-FXD 180pF +-5% 50 V CER C0G	28480	0160-5964
C5	0160-5964	1	CAP-FXD 180pF +-5% 50 V CER C0G	28480	0160-5964
C6	0160-6727	1	CAP-FXD 0.033uF +-10% 50 V CER X7R	28480	0160-6727
C7	0160-5975	1	CAP-FXD 10pF +-5% 50 V CER C0G	28480	0160-5975
C8	0160-5974	1	CAP-FXD 8.2pF +-6.1% 50 V CER C0G	28480	0160-5974
C9	0160-5944	1	CAP-FXD 0.047uF +-10% 50 V CER X7R	28480	0160-5944
C10	0160-5975	1	CAP-FXD 10pF +-5% 50 V CER C0G	28480	0160-5975
C12	0180-3753	1	CAP-FXD 6.8uF +-20% 35 V TA	28480	0180-3753
C13	0160-6222	1	CAP-FXD 0.1uF +-10% 50 V CER X7R	28480	0160-6222
C14	0160-5944	1	CAP-FXD 0.047uF +-10% 50 V CER X7R	28480	0160-5944
C15	0160-5944	1	CAP-FXD 0.047uF +-10% 50 V CER X7R	28480	0160-5944
C16	0160-6735	1	CAP-FXD 4700pF +-10% 50 V CER X7R	28480	0160-6735
C17	0160-5952	1	CAP-FXD 330pF +-5% 50 V CER C0G	28480	0160-5952
C18	0160-5952	1	CAP-FXD 330pF +-5% 50 V CER C0G	28480	0160-5952
C19	0160-5975	1	CAP-FXD 10pF +-5% 50 V CER C0G	28480	0160-5975
C20	0160-6222	1	CAP-FXD 0.1uF +-10% 50 V CER X7R	28480	0160-6222
C21	0160-5944	1	CAP-FXD 0.047uF +-10% 50 V CER X7R	28480	0160-5944
C23	0160-6222	1	CAP-FXD 0.1uF +-10% 50 V CER X7R	28480	0160-6222
C24	0180-3753	1	CAP-FXD 6.8uF +-20% 35 V TA	28480	0180-3753
C25	0160-5975	1	CAP-FXD 10pF +-5% 50 V CER C0G	28480	0160-5975
C26	0160-5975	1	CAP-FXD 10pF +-5% 50 V CER C0G	28480	0160-5975
C27	0160-5952	1	CAP-FXD 330pF +-5% 50 V CER C0G	28480	0160-5952
C28	0160-5952	1	CAP-FXD 330pF +-5% 50 V CER C0G	28480	0160-5952
C29	0160-5952	1	CAP-FXD 330pF +-5% 50 V CER C0G	28480	0160-5952
C30	0160-5952	1	CAP-FXD 330pF +-5% 50 V CER C0G	28480	0160-5952
C31	0160-5975	1	CAP-FXD 10pF +-5% 50 V CER C0G	28480	0160-5975
C32	0160-5944	1	CAP-FXD 0.047uF +-10% 50 V CER X7R	28480	0160-5944
C33	0160-5944	1	CAP-FXD 0.047uF +-10% 50 V CER X7R	28480	0160-5944
C34	0160-5944	1	CAP-FXD 0.047uF +-10% 50 V CER X7R	28480	0160-5944
C35	0160-5944	1	CAP-FXD 0.047uF +-10% 50 V CER X7R	28480	0160-5944
C36	0160-5944	1	CAP-FXD 0.047uF +-10% 50 V CER X7R	28480	0160-5944
C37	0160-6100	1	CAP-FXD 1000pF +-5% 50 V CER C0G	28480	0160-6100

**Indicates factory-selected value*

HP Part Number 08713-60004
Source (8713B/14B) (continued)

Reference Designator	HP Part Number	Qty	Description	Mfr Code	Mfr Part Number
C38	0160-6100	1	CAP-FXD 1000pF +5% 50 V CER C0G	28480	0160-6100
C39	0160-5952	1	CAP-FXD 330pF +5% 50 V CER C0G	28480	0160-5952
C40	0160-5952	1	CAP-FXD 330pF +5% 50 V CER C0G	28480	0160-5952
C41	0160-5952	1	CAP-FXD 330pF +5% 50 V CER C0G	28480	0160-5952
C42	0160-5952	1	CAP-FXD 330pF +5% 50 V CER C0G	28480	0160-5952
C43	0160-5952	1	CAP-FXD 330pF +5% 50 V CER C0G	28480	0160-5952
C44	0160-5952	1	CAP-FXD 330pF +5% 50 V CER C0G	28480	0160-5952
C45	0160-5952	1	CAP-FXD 330pF +5% 50 V CER C0G	28480	0160-5952
C46	0160-5952	1	CAP-FXD 330pF +5% 50 V CER C0G	28480	0160-5952
C49	0160-5952	1	CAP-FXD 330pF +5% 50 V CER C0G	28480	0160-5952
C50	0160-5975	1	CAP-FXD 10pF +-5% 50 V CER C0G	28480	0160-5975
C51	0160-7847	1	CAP-FXD 2.2pF +4.5% 50 V CER C0G	28480	0160-7847
C52	0160-5974	1	CAP-FXD 8.2pF +6.1% 50 V CER C0G	28480	0160-5974
C53	0160-5944	1	CAP-FXD 0.047uF +-10% 50 V CER X7R	28480	0160-5944
C54	0160-7847	1	CAP-FXD 2.2pF +4.5% 50 V CER C0G	28480	0160-7847
C55	0160-5952	1	CAP-FXD 330pF +5% 50 V CER C0G	28480	0160-5952
C56	0160-5952	1	CAP-FXD 330pF +5% 50 V CER C0G	28480	0160-5952
C57	0160-5952	1	CAP-FXD 330pF +5% 50 V CER C0G	28480	0160-5952
C58	0160-5975	1	CAP-FXD 10pF +-5% 50 V CER C0G	28480	0160-5975
C59	0160-5979	1	CAP-FXD 1.5pF +33.33% 50 V CER C0G	28480	0160-5979
C60	0160-5975	1	CAP-FXD 10pF +-5% 50 V CER C0G	28480	0160-5975
C61	0160-5952	1	CAP-FXD 330pF +5% 50 V CER C0G	28480	0160-5952
C62	0160-5952	1	CAP-FXD 330pF +5% 50 V CER C0G	28480	0160-5952
C63	0160-5952	1	CAP-FXD 330pF +5% 50 V CER C0G	28480	0160-5952
C64	0160-5952	1	CAP-FXD 330pF +5% 50 V CER C0G	28480	0160-5952
C65	0160-5952	1	CAP-FXD 330pF +5% 50 V CER C0G	28480	0160-5952
C66	0160-5952	1	CAP-FXD 330pF +5% 50 V CER C0G	28480	0160-5952
C67	0160-5952	1	CAP-FXD 330pF +5% 50 V CER C0G	28480	0160-5952
C68	0160-6104	1	CAP-FXD 2200pF +5% 50 V CER C0G	28480	0160-6104
C69	0160-5944	1	CAP-FXD 0.047uF +-10% 50 V CER X7R	28480	0160-5944
C71	0160-7847	1	CAP-FXD 2.2pF +4.5% 50 V CER C0G	28480	0160-7847
C72	0160-7847	1	CAP-FXD 2.2pF +4.5% 50 V CER C0G	28480	0160-7847
C73	0160-7847	1	CAP-FXD 2.2pF +4.5% 50 V CER C0G	28480	0160-7847
C74	0160-7776	1	CAP-FXD 3.9pF +6.4% 50 V CER C0G	28480	0160-7776
C75	0160-7860	1	CAP-FXD 4.7pF +5.31% 50 V CER C0G	28480	0160-7860

**HP Part Number 08713-60004
Source (8713B/14B) (continued)**

Reference Designator	HP Part Number	Qty	Description	Mfr Code	Mfr Part Number
C76	0160-5952	1	CAP-FXD 330pF +-5% 50 V CER C0G	28480	0160-5952
C81	0160-5944	1	CAP-FXD 0.047uF +-10% 50 V CER X7R	28480	0160-5944
C82	0160-6100	1	CAP-FXD 1000pF +-5% 50 V CER C0G	28480	0160-6100
C83	0160-6100	1	CAP-FXD 1000pF +-5% 50 V CER C0G	28480	0160-6100
C84	0160-5974	1	CAP-FXD 8.2pF +-6.1% 50 V CER C0G	28480	0160-5974
C85	0160-5944	1	CAP-FXD 0.047uF +-10% 50 V CER X7R	28480	0160-5944
C86	0160-7333	1	CAP-FXD 0.068uF +-10% 50 V CER X7R	28480	0160-7333
C87	0160-5952	1	CAP-FXD 330pF +-5% 50 V CER C0G	28480	0160-5952
C88	0160-5944	1	CAP-FXD 0.047uF +-10% 50 V CER X7R	28480	0160-5944
C89	0160-5952	1	CAP-FXD 330pF +-5% 50 V CER C0G	28480	0160-5952
C90	0160-5952	1	CAP-FXD 330pF +-5% 50 V CER C0G	28480	0160-5952
C91	0160-5975	1	CAP-FXD 10pF +-5% 50 V CER C0G	28480	0160-5975
C92	0160-5979	1	CAP-FXD 1.5pF +-33.33% 50 V CER C0G	28480	0160-5979
C93	0160-5957	1	CAP-FXD 47pF +-5% 50 V CER C0G	28480	0160-5957
C94	0160-7856	1	CAP-FXD 330pF +-10% 50 V CER X7R	28480	0160-7856
C95	0160-7856	1	CAP-FXD 330pF +-10% 50 V CER X7R	28480	0160-7856
C96	0160-5952	1	CAP-FXD 330pF +-5% 50 V CER C0G	28480	0160-5952
C97	0160-5952	1	CAP-FXD 330pF +-5% 50 V CER C0G	28480	0160-5952
C98	0160-5952	1	CAP-FXD 330pF +-5% 50 V CER C0G	28480	0160-5952
C100	0160-5952	1	CAP-FXD 330pF +-5% 50 V CER C0G	28480	0160-5952
C101	0160-5952	1	CAP-FXD 330pF +-5% 50 V CER C0G	28480	0160-5952
C102	0160-6735	1	CAP-FXD 4700pF +-10% 50 V CER X7R	28480	0160-6735
C103	0160-5952	1	CAP-FXD 330pF +-5% 50 V CER C0G	28480	0160-5952
C104	0160-5952	1	CAP-FXD 330pF +-5% 50 V CER C0G	28480	0160-5952
C105	0160-6104	1	CAP-FXD 2200pF +-5% 50 V CER C0G	28480	0160-6104
C106	0160-5944	1	CAP-FXD 0.047uF +-10% 50 V CER X7R	28480	0160-5944
C107	0160-5944	1	CAP-FXD 0.047uF +-10% 50 V CER X7R	28480	0160-5944
C108	0160-5944	1	CAP-FXD 0.047uF +-10% 50 V CER X7R	28480	0160-5944
C109	0160-5944	1	CAP-FXD 0.047uF +-10% 50 V CER X7R	28480	0160-5944
C110	0160-5944	1	CAP-FXD 0.047uF +-10% 50 V CER X7R	28480	0160-5944
C111	0160-6736	1	CAP-FXD 0.01uF +-10% 50 V CER X7R	28480	0160-6736
C112	0160-6728	1	CAP-FXD 0.022uF +-10% 50 V CER X7R	28480	0160-6728
C113	0160-5944	1	CAP-FXD 0.047uF +-10% 50 V CER X7R	28480	0160-5944
C114	0160-5944	1	CAP-FXD 0.047uF +-10% 50 V CER X7R	28480	0160-5944
C115	0160-6728	1	CAP-FXD 0.022uF +-10% 50 V CER X7R	28480	0160-6728

**Indicates factory-selected value*

HP Part Number 08713-60004
Source (8713B/14B) (continued)

Reference Designator	HP Part Number	Qty	Description	Mfr Code	Mfr Part Number
C120	0160-5975	1	CAP-FXD 10pF +-5% 50 V CER C0G	28480	0160-5975
C121	0160-5952	1	CAP-FXD 330pF +-5% 50 V CER C0G	28480	0160-5952
C122	0160-5952	1	CAP-FXD 330pF +-5% 50 V CER C0G	28480	0160-5952
C123	0160-7751	1	CAP-FXD 0.01uF +-10% 50 V CER X7R	28480	0160-7751
C125	0180-3751	1	CAP-FXD 1uF +-20% 35 V TA	28480	0180-3751
C126	0180-3749	1	CAP-FXD 0.22uF +-20% 35 V TA	28480	0180-3749
C127	0180-3751	1	CAP-FXD 1uF +-20% 35 V TA	28480	0180-3751
C128	0160-6222	1	CAP-FXD 0.1uF +-10% 50 V CER X7R	28480	0160-6222
C137	0160-6222	1	CAP-FXD 0.1uF +-10% 50 V CER X7R	28480	0160-6222
C141	0180-3753	1	CAP-FXD 6.8uF +-20% 35 V TA	28480	0180-3753
C142	0180-3753	1	CAP-FXD 6.8uF +-20% 35 V TA	28480	0180-3753
C143	0160-5944	1	CAP-FXD 0.047uF +-10% 50 V CER X7R	28480	0160-5944
C144	0180-3751	1	CAP-FXD 1uF +-20% 35 V TA	28480	0180-3751
C145	0180-3751	1	CAP-FXD 1uF +-20% 35 V TA	28480	0180-3751
C146	0180-3751	1	CAP-FXD 1uF +-20% 35 V TA	28480	0180-3751
C147	0180-3749	1	CAP-FXD 0.22uF +-20% 35 V TA	28480	0180-3749
C148	0180-3753	1	CAP-FXD 6.8uF +-20% 35 V TA	28480	0180-3753
C149	0180-3751	1	CAP-FXD 1uF +-20% 35 V TA	28480	0180-3751
C150	0180-3751	1	CAP-FXD 1uF +-20% 35 V TA	28480	0180-3751
C156	0160-5944	1	CAP-FXD 0.047uF +-10% 50 V CER X7R	28480	0160-5944
C157	0160-5944	1	CAP-FXD 0.047uF +-10% 50 V CER X7R	28480	0160-5944
C159	0160-5944	1	CAP-FXD 0.047uF +-10% 50 V CER X7R	28480	0160-5944
C161	0180-3752	1	CAP-FXD 3.3uF +-20% 35 V TA	28480	0180-3752
C164	0160-5944	1	CAP-FXD 0.047uF +-10% 50 V CER X7R	28480	0160-5944
C165	0160-5944	1	CAP-FXD 0.047uF +-10% 50 V CER X7R	28480	0160-5944
C166	0160-6734	1	CAP-FXD 0.047uF +-10% 50 V CER X7R	28480	0160-6734
C167	0160-5944	1	CAP-FXD 0.047uF +-10% 50 V CER X7R	28480	0160-5944
C168	0160-5957	1	CAP-FXD 47pF +-5% 50 V CER C0G	28480	0160-5957
C169	0180-3751	1	CAP-FXD 1uF +-20% 35 V TA	28480	0180-3751
C170	0180-3751	1	CAP-FXD 1uF +-20% 35 V TA	28480	0180-3751
C171	0160-5944	1	CAP-FXD 0.047uF +-10% 50 V CER X7R	28480	0160-5944
C172	0160-5944	1	CAP-FXD 0.047uF +-10% 50 V CER X7R	28480	0160-5944
C173	0160-5944	1	CAP-FXD 0.047uF +-10% 50 V CER X7R	28480	0160-5944
C174	0160-5944	1	CAP-FXD 0.047uF +-10% 50 V CER X7R	28480	0160-5944
C175	0160-5944	1	CAP-FXD 0.047uF +-10% 50 V CER X7R	28480	0160-5944

**HP Part Number 08713-60004
Source (8713B/14B) (continued)**

Reference Designator	HP Part Number	Qty	Description	Mfr Code	Mfr Part Number
C176	0160-5961	1	CAP-FXD 22pF +-5% 50 V CER C0G	28480	0160-5961
C177	0160-5944	1	CAP-FXD 0.047uF +-10% 50 V CER X7R	28480	0160-5944
C178	0160-5944	1	CAP-FXD 0.047uF +-10% 50 V CER X7R	28480	0160-5944
C179	0160-5944	1	CAP-FXD 0.047uF +-10% 50 V CER X7R	28480	0160-5944
C181	0160-6736	1	CAP-FXD 0.01uF +-10% 50 V CER X7R	28480	0160-6736
C184	0160-5944	1	CAP-FXD 0.047uF +-10% 50 V CER X7R	28480	0160-5944
C185	0160-5952	1	CAP-FXD 330pF +-5% 50 V CER C0G	28480	0160-5952
C186	0160-5952	1	CAP-FXD 330pF +-5% 50 V CER C0G	28480	0160-5952
C187	0160-5944	1	CAP-FXD 0.047uF +-10% 50 V CER X7R	28480	0160-5944
C188	0160-5944	1	CAP-FXD 0.047uF +-10% 50 V CER X7R	28480	0160-5944
C193	0160-5957	1	CAP-FXD 47pF +-5% 50 V CER C0G	28480	0160-5957
C195	0160-5944	1	CAP-FXD 0.047uF +-10% 50 V CER X7R	28480	0160-5944
C200	0160-5952	1	CAP-FXD 330pF +-5% 50 V CER C0G	28480	0160-5952
C201	0160-5952	1	CAP-FXD 330pF +-5% 50 V CER C0G	28480	0160-5952
C202	0160-5952	1	CAP-FXD 330pF +-5% 50 V CER C0G	28480	0160-5952
C203	0160-5944	1	CAP-FXD 0.047uF +-10% 50 V CER X7R	28480	0160-5944
C204	0160-5952	1	CAP-FXD 330pF +-5% 50 V CER C0G	28480	0160-5952
C206	0160-5952	1	CAP-FXD 330pF +-5% 50 V CER C0G	28480	0160-5952
C207	0160-5975	1	CAP-FXD 10pF +-5% 50 V CER C0G	28480	0160-5975
C208	0160-7751	1	CAP-FXD 0.01uF +-10% 50 V CER X7R	28480	0160-7751
C209	0160-7853	1	CAP-FXD 3.3pF +-7.6% 50 V CER C0G	28480	0160-7853
C210	0160-7853	1	CAP-FXD 3.3pF +-7.6% 50 V CER C0G	28480	0160-7853
C211	0160-7853	1	CAP-FXD 3.3pF +-7.6% 50 V CER C0G	28480	0160-7853
C212	0160-7853	1	CAP-FXD 3.3pF +-7.6% 50 V CER C0G	28480	0160-7853
C215	0160-5952	1	CAP-FXD 330pF +-5% 50 V CER C0G	28480	0160-5952
C216	0160-5952	1	CAP-FXD 330pF +-5% 50 V CER C0G	28480	0160-5952
C217	0160-7835	1	CAP-FXD 100pF +-5% 50 V CER C0G	28480	0160-7835
C218	0160-7751	1	CAP-FXD 0.01uF +-10% 50 V CER X7R	28480	0160-7751
C219	0160-5944	1	CAP-FXD 0.047uF +-10% 50 V CER X7R	28480	0160-5944
C220	0160-7751	1	CAP-FXD 0.01uF +-10% 50 V CER X7R	28480	0160-7751
C221	0160-7751	1	CAP-FXD 0.01uF +-10% 50 V CER X7R	28480	0160-7751
C222	0160-7751	1	CAP-FXD 0.01uF +-10% 50 V CER X7R	28480	0160-7751
C223	0160-7751	1	CAP-FXD 0.01uF +-10% 50 V CER X7R	28480	0160-7751
C249	0160-6735	1	CAP-FXD 4700pF +-10% 50 V CER X7R	28480	0160-6735
C250	0160-6728	1	CAP-FXD 0.022uF +-10% 50 V CER X7R	28480	0160-6728

**Indicates factory-selected value*

HP Part Number 08713-60004
Source (8713B/14B) (continued)

Reference Designator	HP Part Number	Qty	Description	Mfr Code	Mfr Part Number
C251	0160-5944	1	CAP-FXD 0.047uF +-10% 50 V CER X7R	28480	0160-5944
C252	0160-5944	1	CAP-FXD 0.047uF +-10% 50 V CER X7R	28480	0160-5944
C253	0160-6728	1	CAP-FXD 0.022uF +-10% 50 V CER X7R	28480	0160-6728
C254	0160-6736	1	CAP-FXD 0.01uF +-10% 50 V CER X7R	28480	0160-6736
C255	0160-7333	1	CAP-FXD 0.068uF +-10% 50 V CER X7R	28480	0160-7333
C256	0180-3751	1	CAP-FXD 1uF +-20% 35 V TA	28480	0180-3751
C257	0160-7751	1	CAP-FXD 0.01uF +-10% 50 V CER X7R	28480	0160-7751
C258	0160-7751	1	CAP-FXD 0.01uF +-10% 50 V CER X7R	28480	0160-7751
C259	0160-7853	1	CAP-FXD 3.3pF +-7.6% 50 V CER C0G	28480	0160-7853
C260	0160-5952	1	CAP-FXD 330pF +-5% 50 V CER C0G	28480	0160-5952
C261	0160-5952	1	CAP-FXD 330pF +-5% 50 V CER C0G	28480	0160-5952
C262	0160-5952	1	CAP-FXD 330pF +-5% 50 V CER C0G	28480	0160-5952
C263	0160-5944	1	CAP-FXD 0.047uF +-10% 50 V CER X7R	28480	0160-5944
C264	0160-5952	1	CAP-FXD 330pF +-5% 50 V CER C0G	28480	0160-5952
C266	0160-5952	1	CAP-FXD 330pF +-5% 50 V CER C0G	28480	0160-5952
C267	0160-5975	1	CAP-FXD 10pF +-5% 50 V CER C0G	28480	0160-5975
C268	0160-6736	1	CAP-FXD 0.01uF +-10% 50 V CER X7R	28480	0160-6736
C269	0160-7853	1	CAP-FXD 3.3pF +-7.6% 50 V CER C0G	28480	0160-7853
C270	0160-7853	1	CAP-FXD 3.3pF +-7.6% 50 V CER C0G	28480	0160-7853
C271	0160-7853	1	CAP-FXD 3.3pF +-7.6% 50 V CER C0G	28480	0160-7853
C272	0160-5952	1	CAP-FXD 330pF +-5% 50 V CER C0G	28480	0160-5952
C273	0160-5952	1	CAP-FXD 330pF +-5% 50 V CER C0G	28480	0160-5952
C274	0160-7751	1	CAP-FXD 0.01uF +-10% 50 V CER X7R	28480	0160-7751
C275	0160-5975	1	CAP-FXD 10pF +-5% 50 V CER C0G	28480	0160-5975
C280	0160-5952	1	CAP-FXD 330pF +-5% 50 V CER C0G	28480	0160-5952
C281	0160-5952	1	CAP-FXD 330pF +-5% 50 V CER C0G	28480	0160-5952
C282	0160-5952	1	CAP-FXD 330pF +-5% 50 V CER C0G	28480	0160-5952
C283	0160-5952	1	CAP-FXD 330pF +-5% 50 V CER C0G	28480	0160-5952
C284	0160-5952	1	CAP-FXD 330pF +-5% 50 V CER C0G	28480	0160-5952
C285	0160-5952	1	CAP-FXD 330pF +-5% 50 V CER C0G	28480	0160-5952
C286	0160-5952	1	CAP-FXD 330pF +-5% 50 V CER C0G	28480	0160-5952
C287	0160-5952	1	CAP-FXD 330pF +-5% 50 V CER C0G	28480	0160-5952
C294	0160-7751	1	CAP-FXD 0.01uF +-10% 50 V CER X7R	28480	0160-7751
C295	0160-7751	1	CAP-FXD 0.01uF +-10% 50 V CER X7R	28480	0160-7751
C296	0160-7751	1	CAP-FXD 0.01uF +-10% 50 V CER X7R	28480	0160-7751

**HP Part Number 08713-60004
Source (8713B/14B) (continued)**

Reference Designator	HP Part Number	Qty	Description	Mfr Code	Mfr Part Number
C297	0160-7751	1	CAP-FXD 0.01uF +-10% 50 V CER X7R	28480	0160-7751
C298	0160-7751	1	CAP-FXD 0.01uF +-10% 50 V CER X7R	28480	0160-7751
C299	0160-5944	1	CAP-FXD 0.047uF +-10% 50 V CER X7R	28480	0160-5944
C300	0160-7918	1	CAP-FXD 1pF +-10% 150 V PORC	28480	0160-7918
C301	0160-7831	1	CAP-FXD 1.2pF +-20.83% 50 V CER C0G	28480	0160-7831
C302	0160-7831	1	CAP-FXD 1.2pF +-20.83% 50 V CER C0G	28480	0160-7831
C303	0160-7918	1	CAP-FXD 1pF +-10% 150 V PORC	28480	0160-7918
C304	0160-7919	1	CAP-FXD 1.2pF 150 V PORC	28480	0160-7919
C305	0160-7847	1	CAP-FXD 2.2pF +-4.5% 50 V CER C0G	28480	0160-7847
C306	0160-7847	1	CAP-FXD 2.2pF +-4.5% 50 V CER C0G	28480	0160-7847
C307	0160-7918	1	CAP-FXD 1pF +-10% 150 V PORC	28480	0160-7918
C308	0160-7918	1	CAP-FXD 1pF +-10% 150 V PORC	28480	0160-7918
C309	0160-7919	1	CAP-FXD 1.2pF 150 V PORC	28480	0160-7919
C310	0160-7919	1	CAP-FXD 1.2pF 150 V PORC	28480	0160-7919
C311	0160-7919	1	CAP-FXD 1.2pF 150 V PORC	28480	0160-7919
C312	0160-7919	1	CAP-FXD 1.2pF 150 V PORC	28480	0160-7919
C313	0160-7919	1	CAP-FXD 1.2pF 150 V PORC	28480	0160-7919
C314	0160-7919	1	CAP-FXD 1.2pF 150 V PORC	28480	0160-7919
C315	0160-7919	1	CAP-FXD 1.2pF 150 V PORC	28480	0160-7919
C316	0160-7919	1	CAP-FXD 1.2pF 150 V PORC	28480	0160-7919
C317	0160-7919	1	CAP-FXD 1.2pF 150 V PORC	28480	0160-7919
C318	0160-7919	1	CAP-FXD 1.2pF 150 V PORC	28480	0160-7919
C319	0160-7751	1	CAP-FXD 0.01uF +-10% 50 V CER X7R	28480	0160-7751
C320	0160-7751	1	CAP-FXD 0.01uF +-10% 50 V CER X7R	28480	0160-7751
C321	0160-7751	1	CAP-FXD 0.01uF +-10% 50 V CER X7R	28480	0160-7751
C322	0160-7751	1	CAP-FXD 0.01uF +-10% 50 V CER X7R	28480	0160-7751
C323	0160-7751	1	CAP-FXD 0.01uF +-10% 50 V CER X7R	28480	0160-7751
C324	0160-7751	1	CAP-FXD 0.01uF +-10% 50 V CER X7R	28480	0160-7751
C325	0160-7751	1	CAP-FXD 0.01uF +-10% 50 V CER X7R	28480	0160-7751
C327	0160-7751	1	CAP-FXD 0.01uF +-10% 50 V CER X7R	28480	0160-7751
C328	0160-7751	1	CAP-FXD 0.01uF +-10% 50 V CER X7R	28480	0160-7751
C329	0160-7751	1	CAP-FXD 0.01uF +-10% 50 V CER X7R	28480	0160-7751
C330	0160-7832	1	CAP-FXD 1.5pF +-16.67% 50 V CER C0G	28480	0160-7832
C333	0160-7751	1	CAP-FXD 0.01uF +-10% 50 V CER X7R	28480	0160-7751
C334	0160-7751	1	CAP-FXD 0.01uF +-10% 50 V CER X7R	28480	0160-7751

**Indicates factory-selected value*

HP Part Number 08713-60004
Source (8713B/14B) (continued)

Reference Designator	HP Part Number	Qty	Description	Mfr Code	Mfr Part Number
C335	0160-7751	1	CAP-FXD 0.01uF +-10% 50 V CER X7R	28480	0160-7751
C339	0160-7919	1	CAP-FXD 1.2pF 150 V PORC	28480	0160-7919
C340	0160-7751	1	CAP-FXD 0.01uF +-10% 50 V CER X7R	28480	0160-7751
C341	0160-7751	1	CAP-FXD 0.01uF +-10% 50 V CER X7R	28480	0160-7751
C342	0160-7751	1	CAP-FXD 0.01uF +-10% 50 V CER X7R	28480	0160-7751
C343	0160-7751	1	CAP-FXD 0.01uF +-10% 50 V CER X7R	28480	0160-7751
C345	0160-7751	1	CAP-FXD 0.01uF +-10% 50 V CER X7R	28480	0160-7751
C346	0160-7751	1	CAP-FXD 0.01uF +-10% 50 V CER X7R	28480	0160-7751
C350	0160-7751	1	CAP-FXD 0.01uF +-10% 50 V CER X7R	28480	0160-7751
C351	0160-7847	1	CAP-FXD 2.2pF +-4.5% 50 V CER C0G	28480	0160-7847
C352	0160-7751	1	CAP-FXD 0.01uF +-10% 50 V CER X7R	28480	0160-7751
C353	0160-5959	1	CAP-FXD 33pF +-5% 50 V CER C0G	28480	0160-5959
C354	0160-5959	1	CAP-FXD 33pF +-5% 50 V CER C0G	28480	0160-5959
C355	0160-7751	1	CAP-FXD 0.01uF +-10% 50 V CER X7R	28480	0160-7751
C356	0160-7845	1	CAP-FXD 180pF +-5% 50 V CER C0G	28480	0160-7845
C358	0180-3751	1	CAP-FXD 1uF +-20% 35 V TA	28480	0180-3751
C361	0160-5945	1	CAP-FXD 0.01uF +-10% 50 V CER X7R	28480	0160-5945
C365	0160-7899	1	CAP-FXD 0.047uF +-10% 16 V CER X7R	28480	0160-7899
C369	0160-7832	1	CAP-FXD 1.5pF +-16.67% 50 V CER C0G	28480	0160-7832
C370	0160-7832	1	CAP-FXD 1.5pF +-16.67% 50 V CER C0G	28480	0160-7832
C371	0160-7853	1	CAP-FXD 3.3pF +-7.6% 50 V CER C0G	28480	0160-7853
C372	0160-7776	1	CAP-FXD 3.9pF +-6.4% 50 V CER C0G	28480	0160-7776
C373	0160-7848	1	CAP-FXD 2.7pF +-9.26% 50 V CER C0G	28480	0160-7848
C380	0180-3464	1	CAP-FXD 2.2uF +-20% 100 V AL-ELCTLT	28480	0180-3464
C381	0180-3464	1	CAP-FXD 2.2uF +-20% 100 V AL-ELCTLT	28480	0180-3464
C382	0180-3464	1	CAP-FXD 2.2uF +-20% 100 V AL-ELCTLT	28480	0180-3464
C383	0180-3751	1	CAP-FXD 1uF +-20% 35 V TA	28480	0180-3751
C384	0180-3751	1	CAP-FXD 1uF +-20% 35 V TA	28480	0180-3751
C385	0180-3751	1	CAP-FXD 1uF +-20% 35 V TA	28480	0180-3751
C386	0180-3751	1	CAP-FXD 1uF +-20% 35 V TA	28480	0180-3751
C387	0160-6102	1	CAP-FXD 1500pF +-5% 50 V CER C0G	28480	0160-6102
C390	0160-7856	1	CAP-FXD 330pF +-10% 50 V CER X7R	28480	0160-7856
C391	0160-7751	1	CAP-FXD 0.01uF +-10% 50 V CER X7R	28480	0160-7751
C392	0160-7751	1	CAP-FXD 0.01uF +-10% 50 V CER X7R	28480	0160-7751
C393	0160-7751	1	CAP-FXD 0.01uF +-10% 50 V CER X7R	28480	0160-7751

**HP Part Number 08713-60004
Source (8713B/14B) (continued)**

Reference Designator	HP Part Number	Qty	Description	Mfr Code	Mfr Part Number
C394	0160-7751	1	CAP-FXD 0.01uF +-10% 50 V CER X7R	28480	0160-7751
C395	0160-7751	1	CAP-FXD 0.01uF +-10% 50 V CER X7R	28480	0160-7751
C396	0160-7751	1	CAP-FXD 0.01uF +-10% 50 V CER X7R	28480	0160-7751
C397	0160-7751	1	CAP-FXD 0.01uF +-10% 50 V CER X7R	28480	0160-7751
C398	0160-7751	1	CAP-FXD 0.01uF +-10% 50 V CER X7R	28480	0160-7751
C400	0160-7751	1	CAP-FXD 0.01uF +-10% 50 V CER X7R	28480	0160-7751
C401	0160-7751	1	CAP-FXD 0.01uF +-10% 50 V CER X7R	28480	0160-7751
C402	0160-7751	1	CAP-FXD 0.01uF +-10% 50 V CER X7R	28480	0160-7751
C403	0160-7751	1	CAP-FXD 0.01uF +-10% 50 V CER X7R	28480	0160-7751
C406	0160-7751	1	CAP-FXD 0.01uF +-10% 50 V CER X7R	28480	0160-7751
C407	0160-7751	1	CAP-FXD 0.01uF +-10% 50 V CER X7R	28480	0160-7751
C409	0160-7751	1	CAP-FXD 0.01uF +-10% 50 V CER X7R	28480	0160-7751
C410	0160-7832	1	CAP-FXD 1.5pF +-16.67% 50 V CER C0G	28480	0160-7832
C411	0160-7919	1	CAP-FXD 1.2pF 150 V PORC	28480	0160-7919
C412	0160-7751	1	CAP-FXD 0.01uF +-10% 50 V CER X7R	28480	0160-7751
C413	0160-7751	1	CAP-FXD 0.01uF +-10% 50 V CER X7R	28480	0160-7751
C415	0160-5952	1	CAP-FXD 330pF +-5% 50 V CER C0G	28480	0160-5952
C416	0160-5952	1	CAP-FXD 330pF +-5% 50 V CER C0G	28480	0160-5952
C417	0160-5952	1	CAP-FXD 330pF +-5% 50 V CER C0G	28480	0160-5952
C418	0160-5952	1	CAP-FXD 330pF +-5% 50 V CER C0G	28480	0160-5952
C420	0160-7751	1	CAP-FXD 0.01uF +-10% 50 V CER X7R	28480	0160-7751
C421	0160-7847	1	CAP-FXD 2.2pF +-4.5% 50 V CER C0G	28480	0160-7847
C422	0160-7751	1	CAP-FXD 0.01uF +-10% 50 V CER X7R	28480	0160-7751
C423	0160-7751	1	CAP-FXD 0.01uF +-10% 50 V CER X7R	28480	0160-7751
C424	0160-7751	1	CAP-FXD 0.01uF +-10% 50 V CER X7R	28480	0160-7751
C425	0160-7845	1	CAP-FXD 180pF +-5% 50 V CER C0G	28480	0160-7845
C426	0160-7855	1	CAP-FXD 33pF +-5% 50 V CER C0G	28480	0160-7855
C427	0160-5959	1	CAP-FXD 33pF +-5% 50 V CER C0G	28480	0160-5959
C428	0160-5959	1	CAP-FXD 33pF +-5% 50 V CER C0G	28480	0160-5959
C429	0160-5944	1	CAP-FXD 0.047uF +-10% 50 V CER X7R	28480	0160-5944
C430	0160-5944	1	CAP-FXD 0.047uF +-10% 50 V CER X7R	28480	0160-5944
C431	0160-5944	1	CAP-FXD 0.047uF +-10% 50 V CER X7R	28480	0160-5944
C432	0160-7751	1	CAP-FXD 0.01uF +-10% 50 V CER X7R	28480	0160-7751
C433	0160-7751	1	CAP-FXD 0.01uF +-10% 50 V CER X7R	28480	0160-7751
C434	0160-7751	1	CAP-FXD 0.01uF +-10% 50 V CER X7R	28480	0160-7751

**Indicates factory-selected value*

HP Part Number 08713-60004
Source (8713B/14B) (continued)

Reference Designator	HP Part Number	Qty	Description	Mfr Code	Mfr Part Number
C435	0160-7751	1	CAP-FXD 0.01uF +-10% 50 V CER X7R	28480	0160-7751
C437	0180-4116	1	CAP-FXD 22uF +-20% 20 V TA	28480	0180-4116
C438	0160-7751	1	CAP-FXD 0.01uF +-10% 50 V CER X7R	28480	0160-7751
C439	0160-7751	1	CAP-FXD 0.01uF +-10% 50 V CER X7R	28480	0160-7751
C440	0160-5945	1	CAP-FXD 0.01uF +-10% 50 V CER X7R	28480	0160-5945
C441	0160-5944	1	CAP-FXD 0.047uF +-10% 50 V CER X7R	28480	0160-5944
C442	0160-7751	1	CAP-FXD 0.01uF +-10% 50 V CER X7R	28480	0160-7751
C444	0160-5944	1	CAP-FXD 0.047uF +-10% 50 V CER X7R	28480	0160-5944
C445	0160-7918	1	CAP-FXD 1pF +-10% 150 V PORC	28480	0160-7918
C446	0160-7918	1	CAP-FXD 1pF +-10% 150 V PORC	28480	0160-7918
C447	0160-7918	1	CAP-FXD 1pF +-10% 150 V PORC	28480	0160-7918
C448	0160-7918	1	CAP-FXD 1pF +-10% 150 V PORC	28480	0160-7918
C449	0160-7919	1	CAP-FXD 1.2pF 150 V PORC	28480	0160-7919
C450	0160-7847	1	CAP-FXD 2.2pF +-4.5% 50 V CER C0G	28480	0160-7847
C451	0160-7847	1	CAP-FXD 2.2pF +-4.5% 50 V CER C0G	28480	0160-7847
C452	0160-7918	1	CAP-FXD 1pF +-10% 150 V PORC	28480	0160-7918
C453	0160-7918	1	CAP-FXD 1pF +-10% 150 V PORC	28480	0160-7918
C454	0160-7919	1	CAP-FXD 1.2pF 150 V PORC	28480	0160-7919
C455	0160-7919	1	CAP-FXD 1.2pF 150 V PORC	28480	0160-7919
C456	0160-7919	1	CAP-FXD 1.2pF 150 V PORC	28480	0160-7919
C457	0160-7919	1	CAP-FXD 1.2pF 150 V PORC	28480	0160-7919
C458	0160-7919	1	CAP-FXD 1.2pF 150 V PORC	28480	0160-7919
C459	0160-7919	1	CAP-FXD 1.2pF 150 V PORC	28480	0160-7919
C460	0160-7919	1	CAP-FXD 1.2pF 150 V PORC	28480	0160-7919
C461	0160-7919	1	CAP-FXD 1.2pF 150 V PORC	28480	0160-7919
C462	0160-7919	1	CAP-FXD 1.2pF 150 V PORC	28480	0160-7919
C463	0160-7919	1	CAP-FXD 1.2pF 150 V PORC	28480	0160-7919
C467	0160-7832	1	CAP-FXD 1.5pF +-16.67% 50 V CER C0G	28480	0160-7832
C468	0160-7832	1	CAP-FXD 1.5pF +-16.67% 50 V CER C0G	28480	0160-7832
C469	0160-7853	1	CAP-FXD 3.3pF +-7.6% 50 V CER C0G	28480	0160-7853
C470	0160-7776	1	CAP-FXD 3.9pF +-6.4% 50 V CER C0G	28480	0160-7776
C471	0160-7848	1	CAP-FXD 2.7pF +-9.26% 50 V CER C0G	28480	0160-7848
C475	0160-5952	1	CAP-FXD 330pF +-5% 50 V CER C0G	28480	0160-5952
C514	0160-7332	1	CAP-FXD 6800pF +-10% 50 V CER X7R	28480	0160-7332
C515	0160-7332	1	CAP-FXD 6800pF +-10% 50 V CER X7R	28480	0160-7332

**HP Part Number 08713-60004
Source (8713B/14B) (continued)**

Reference Designator	HP Part Number	Qty	Description	Mfr Code	Mfr Part Number
C516	0160-5953	1	CAP-FXD 270pF +-5% 50 V CER C0G	28480	0160-5953
C518	0160-5944	1	CAP-FXD 0.047uF +-10% 50 V CER X7R	28480	0160-5944
C519	0160-5944	1	CAP-FXD 0.047uF +-10% 50 V CER X7R	28480	0160-5944
C520	0160-5944	1	CAP-FXD 0.047uF +-10% 50 V CER X7R	28480	0160-5944
C521	0160-5944	1	CAP-FXD 0.047uF +-10% 50 V CER X7R	28480	0160-5944
C522	0160-5944	1	CAP-FXD 0.047uF +-10% 50 V CER X7R	28480	0160-5944
C523	0160-5974	1	CAP-FXD 8.2pF +-6.1% 50 V CER C0G	28480	0160-5974
C524	0160-5962	1	CAP-FXD 15pF +-5% 50 V CER C0G	28480	0160-5962
C526	0160-5952	1	CAP-FXD 330pF +-5% 50 V CER C0G	28480	0160-5952
C527	0160-6736	1	CAP-FXD 0.01uF +-10% 50 V CER X7R	28480	0160-6736
C528	0180-3753	1	CAP-FXD 6.8uF +-20% 35 V TA	28480	0180-3753
C530	0180-4116	1	CAP-FXD 22uF +-20% 20 V TA	28480	0180-4116
C531	0160-5944	1	CAP-FXD 0.047uF +-10% 50 V CER X7R	28480	0160-5944
C532	0180-4116	1	CAP-FXD 22uF +-20% 20 V TA	28480	0180-4116
C533	0160-5944	1	CAP-FXD 0.047uF +-10% 50 V CER X7R	28480	0160-5944
C534	0180-4116	1	CAP-FXD 22uF +-20% 20 V TA	28480	0180-4116
C535	0160-5952	1	CAP-FXD 330pF +-5% 50 V CER C0G	28480	0160-5952
C536	0160-5944	1	CAP-FXD 0.047uF +-10% 50 V CER X7R	28480	0160-5944
C537	0160-5944	1	CAP-FXD 0.047uF +-10% 50 V CER X7R	28480	0160-5944
C539	0160-5944	1	CAP-FXD 0.047uF +-10% 50 V CER X7R	28480	0160-5944
C540	0160-5952	1	CAP-FXD 330pF +-5% 50 V CER C0G	28480	0160-5952
C541	0160-6736	1	CAP-FXD 0.01uF +-10% 50 V CER X7R	28480	0160-6736
C542	0180-3753	1	CAP-FXD 6.8uF +-20% 35 V TA	28480	0180-3753
C543	0160-5952	1	CAP-FXD 330pF +-5% 50 V CER C0G	28480	0160-5952
C544	0160-5952	1	CAP-FXD 330pF +-5% 50 V CER C0G	28480	0160-5952
C545	0160-5944	1	CAP-FXD 0.047uF +-10% 50 V CER X7R	28480	0160-5944
C546	0160-5944	1	CAP-FXD 0.047uF +-10% 50 V CER X7R	28480	0160-5944
C547	0160-5944	1	CAP-FXD 0.047uF +-10% 50 V CER X7R	28480	0160-5944
C548	0160-5944	1	CAP-FXD 0.047uF +-10% 50 V CER X7R	28480	0160-5944
C549	0160-5944	1	CAP-FXD 0.047uF +-10% 50 V CER X7R	28480	0160-5944
C550	0160-5952	1	CAP-FXD 330pF +-5% 50 V CER C0G	28480	0160-5952
C551	0180-3753	1	CAP-FXD 6.8uF +-20% 35 V TA	28480	0180-3753
C552	0160-5952	1	CAP-FXD 330pF +-5% 50 V CER C0G	28480	0160-5952
C553	0160-5944	1	CAP-FXD 0.047uF +-10% 50 V CER X7R	28480	0160-5944
C554	0160-5944	1	CAP-FXD 0.047uF +-10% 50 V CER X7R	28480	0160-5944

**Indicates factory-selected value*

HP Part Number 08713-60004
Source (8713B/14B) (continued)

Reference Designator	HP Part Number	Qty	Description	Mfr Code	Mfr Part Number
C555	0160-5944	1	CAP-FXD 0.047uF +-10% 50 V CER X7R	28480	0160-5944
C556	0160-5944	1	CAP-FXD 0.047uF +-10% 50 V CER X7R	28480	0160-5944
C557	0160-5944	1	CAP-FXD 0.047uF +-10% 50 V CER X7R	28480	0160-5944
C561	0160-6104	1	CAP-FXD 2200pF +-5% 50 V CER C0G	28480	0160-6104
C562	0160-5944	1	CAP-FXD 0.047uF +-10% 50 V CER X7R	28480	0160-5944
C564	0160-5944	1	CAP-FXD 0.047uF +-10% 50 V CER X7R	28480	0160-5944
C603	0160-5952	1	CAP-FXD 330pF +-5% 50 V CER C0G	28480	0160-5952
C604	0160-5975	1	CAP-FXD 10pF +-5% 50 V CER C0G	28480	0160-5975
C605	0180-3751	1	CAP-FXD 1uF +-20% 35 V TA	28480	0180-3751
C606	0160-5952	1	CAP-FXD 330pF +-5% 50 V CER C0G	28480	0160-5952
C610	0160-5957	1	CAP-FXD 47pF +-5% 50 V CER C0G	28480	0160-5957
C700	0160-7809	1	CAP-FXD 0.015uF +-10% 50 V CER X7R	28480	0160-7809
C701	0160-7751	1	CAP-FXD 0.01uF +-10% 50 V CER X7R	28480	0160-7751
C704	0160-5944	1	CAP-FXD 0.047uF +-10% 50 V CER X7R	28480	0160-5944
C705	0160-7809	1	CAP-FXD 0.015uF +-10% 50 V CER X7R	28480	0160-7809
C706	0160-7809	1	CAP-FXD 0.015uF +-10% 50 V CER X7R	28480	0160-7809
C707	0160-7856	1	CAP-FXD 330pF +-10% 50 V CER X7R	28480	0160-7856
C708	0160-7809	1	CAP-FXD 0.015uF +-10% 50 V CER X7R	28480	0160-7809
C709	0160-7809	1	CAP-FXD 0.015uF +-10% 50 V CER X7R	28480	0160-7809
C710	0160-7835	1	CAP-FXD 100pF +-5% 50 V CER C0G	28480	0160-7835
C711	0160-7809	1	CAP-FXD 0.015uF +-10% 50 V CER X7R	28480	0160-7809
C712	0160-7809	1	CAP-FXD 0.015uF +-10% 50 V CER X7R	28480	0160-7809
C713	0160-7748	1	CAP-FXD 1000pF +-10% 50 V CER X7R	28480	0160-7748
C714	0160-7845	1	CAP-FXD 180pF +-5% 50 V CER C0G	28480	0160-7845
C716	0160-7834	1	CAP-FXD 10pF +-5% 50 V CER C0G	28480	0160-7834
C717	0160-7918	1	CAP-FXD 1pF +-10% 150 V PORC	28480	0160-7918
C718	0160-7918	1	CAP-FXD 1pF +-10% 150 V PORC	28480	0160-7918
C719	0160-7918	1	CAP-FXD 1pF +-10% 150 V PORC	28480	0160-7918
C720	0160-7853	1	CAP-FXD 3.3pF +-7.6% 50 V CER C0G	28480	0160-7853
C721	0160-7809	1	CAP-FXD 0.015uF +-10% 50 V CER X7R	28480	0160-7809
C722	0160-7809	1	CAP-FXD 0.015uF +-10% 50 V CER X7R	28480	0160-7809
C724	0160-7751	1	CAP-FXD 0.01uF +-10% 50 V CER X7R	28480	0160-7751
C725	0160-7751	1	CAP-FXD 0.01uF +-10% 50 V CER X7R	28480	0160-7751
C726	0180-3751	1	CAP-FXD 1uF +-20% 35 V TA	28480	0180-3751
C727	0160-7809	1	CAP-FXD 0.015uF +-10% 50 V CER X7R	28480	0160-7809

**HP Part Number 08713-60004
Source (8713B/14B) (continued)**

Reference Designator	HP Part Number	Qty	Description	Mfr Code	Mfr Part Number
C728	0160-7751	1	CAP-FXD 0.01uF +-10% 50 V CER X7R	28480	0160-7751
C729	0160-7751	1	CAP-FXD 0.01uF +-10% 50 V CER X7R	28480	0160-7751
C730	0160-5944	1	CAP-FXD 0.047uF +-10% 50 V CER X7R	28480	0160-5944
C731	0160-7751	1	CAP-FXD 0.01uF +-10% 50 V CER X7R	28480	0160-7751
C732	0160-5944	1	CAP-FXD 0.047uF +-10% 50 V CER X7R	28480	0160-5944
C733	0160-7751	1	CAP-FXD 0.01uF +-10% 50 V CER X7R	28480	0160-7751
C734	0160-7751	1	CAP-FXD 0.01uF +-10% 50 V CER X7R	28480	0160-7751
C735	0160-7751	1	CAP-FXD 0.01uF +-10% 50 V CER X7R	28480	0160-7751
CR3	1901-1227	1	DIODE-SWITCHING 75V 200MA 6NS TO-236	28480	1901-1227
CR4	1901-1227	1	DIODE-SWITCHING 75V 200MA 6NS TO-236	28480	1901-1227
CR5	1901-1227	1	DIODE-SWITCHING 75V 200MA 6NS TO-236	28480	1901-1227
CR8	1900-0307	1	DIODE-SCHOTTKY SM SIG	28480	1900-0307
CR9	1900-0299	1	DIODE-PIN	28480	1900-0299
CR10	1900-0299	1	DIODE-PIN	28480	1900-0299
CR11	1900-0299	1	DIODE-PIN	28480	1900-0299
CR12	1900-0299	1	DIODE-PIN	28480	1900-0299
CR14	1901-1227	1	DIODE-SWITCHING 75V 200MA 6NS TO-236	28480	1901-1227
CR15	1900-0273	1	DIODE-PIN	28480	1900-0273
CR16	1900-0273	1	DIODE-PIN	28480	1900-0273
CR17	1900-0273	1	DIODE-PIN	28480	1900-0273
CR18	1900-0273	1	DIODE-PIN	28480	1900-0273
CR19	1900-0273	1	DIODE-PIN	28480	1900-0273
CR21	1906-0291	1	DIODE-DUAL 70V 100MA TO-236AA	28480	1906-0291
CR26	1901-1227	1	DIODE-SWITCHING 75V 200MA 6NS TO-236	28480	1901-1227
CR27	1906-0291	1	DIODE-DUAL 70V 100MA TO-236AA	28480	1906-0291
CR28	1901-1227	1	DIODE-SWITCHING 75V 200MA 6NS TO-236	28480	1901-1227
CR31	1900-0273	1	DIODE-PIN	28480	1900-0273
CR32	1900-0401	1	DIODE-PIN	28480	1900-0401
CR33	1900-0273	1	DIODE-PIN	28480	1900-0273
CR34	1900-0273	1	DIODE-PIN	28480	1900-0273
CR40	1900-0273	1	DIODE-PIN	28480	1900-0273
CR41	1900-0401	1	DIODE-PIN	28480	1900-0401
CR42	1900-0273	1	DIODE-PIN	28480	1900-0273
CR43	1900-0273	1	DIODE-PIN	28480	1900-0273
CR51	1900-0273	1	DIODE-PIN	28480	1900-0273

**Indicates factory-selected value*

HP Part Number 08713-60004
Source (8713B/14B) (continued)

Reference Designator	HP Part Number	Qty	Description	Mfr Code	Mfr Part Number
CR52	1900-0273	1	DIODE-PIN	28480	1900-0273
CR53	1900-0273	1	DIODE-PIN	28480	1900-0273
CR54	1900-0273	1	DIODE-PIN	28480	1900-0273
CR55	1900-0273	1	DIODE-PIN	28480	1900-0273
CR57	1900-0273	1	DIODE-PIN	28480	1900-0273
CR58	1900-0273	1	DIODE-PIN	28480	1900-0273
CR60	1900-0273	1	DIODE-PIN	28480	1900-0273
CR61	1900-0273	1	DIODE-PIN	28480	1900-0273
CR63	1900-0273	1	DIODE-PIN	28480	1900-0273
CR64	1900-0273	1	DIODE-PIN	28480	1900-0273
CR65	1900-0273	1	DIODE-PIN	28480	1900-0273
CR66	1900-0273	1	DIODE-PIN	28480	1900-0273
CR67	1900-0273	1	DIODE-PIN	28480	1900-0273
CR69	1900-0273	1	DIODE-PIN	28480	1900-0273
CR70	1900-0273	1	DIODE-PIN	28480	1900-0273
CR71	1900-0273	1	DIODE-PIN	28480	1900-0273
CR72	1900-0273	1	DIODE-PIN	28480	1900-0273
CR73	1900-0273	1	DIODE-PIN	28480	1900-0273
CR80	1901-1227	1	DIODE-SWITCHING 75V 200MA 6NS TO-236	28480	1901-1227
CR81	1901-1227	1	DIODE-SWITCHING 75V 200MA 6NS TO-236	28480	1901-1227
CR82	1901-1227	1	DIODE-SWITCHING 75V 200MA 6NS TO-236	28480	1901-1227
CR83	1901-1227	1	DIODE-SWITCHING 75V 200MA 6NS TO-236	28480	1901-1227
CR84	1901-0050	1	DIODE-SWITCHING 80V 200MA 2NS DO-35	28480	1901-0050
E1	9170-1418	1	CORE-SHIELDING BEAD	28480	9170-1418
E2	9170-1418	1	CORE-SHIELDING BEAD	28480	9170-1418
E3	9170-1418	1	CORE-SHIELDING BEAD	28480	9170-1418
E5	9170-1418	1	CORE-SHIELDING BEAD	28480	9170-1418
E6	9170-1418	1	CORE-SHIELDING BEAD	28480	9170-1418
E7	9170-1418	1	CORE-SHIELDING BEAD	28480	9170-1418
E9	9170-1421	1	CORE-SHIELDING BEAD	28480	9170-1421
E10	9170-1418	1	CORE-SHIELDING BEAD	28480	9170-1418
E14	9170-1368	1	CORE-SHIELDING BEAD	28480	9170-1368
E100	9170-1421	1	CORE-SHIELDING BEAD	28480	9170-1421
E101	9170-1421	1	CORE-SHIELDING BEAD	28480	9170-1421
E102	9170-1421	1	CORE-SHIELDING BEAD	28480	9170-1421

**HP Part Number 08713-60004
Source (8713B/14B) (continued)**

Reference Designator	HP Part Number	Qty	Description	Mfr Code	Mfr Part Number
E103	9170-1421	1	CORE-SHIELDING BEAD	28480	9170-1421
E104	9170-1421	1	CORE-SHIELDING BEAD	28480	9170-1421
E105	9170-1421	1	CORE-SHIELDING BEAD	28480	9170-1421
E106	9170-1421	1	CORE-SHIELDING BEAD	28480	9170-1421
E107	9170-1421	1	CORE-SHIELDING BEAD	28480	9170-1421
E108	9170-1421	1	CORE-SHIELDING BEAD	28480	9170-1421
E110	9170-1421	1	CORE-SHIELDING BEAD	28480	9170-1421
E111	9170-1421	1	CORE-SHIELDING BEAD	28480	9170-1421
E113	9170-1421	1	CORE-SHIELDING BEAD	28480	9170-1421
E114	9170-1421	1	CORE-SHIELDING BEAD	28480	9170-1421
E115	9170-1421	1	CORE-SHIELDING BEAD	28480	9170-1421
E151	9170-1421	1	CORE-SHIELDING BEAD	28480	9170-1421
E152	9170-1421	1	CORE-SHIELDING BEAD	28480	9170-1421
E201	9170-1584	1	CORE-SHIELDING BEAD	28480	9170-1584
E202	9170-1584	1	CORE-SHIELDING BEAD	28480	9170-1584
E203	9170-1421	1	CORE-SHIELDING BEAD	28480	9170-1421
E250	9170-1421	1	CORE-SHIELDING BEAD	28480	9170-1421
E251	9170-1421	1	CORE-SHIELDING BEAD	28480	9170-1421
E252	9170-1421	1	CORE-SHIELDING BEAD	28480	9170-1421
E253	9170-1421	1	CORE-SHIELDING BEAD	28480	9170-1421
E260	9170-1421	1	CORE-SHIELDING BEAD	28480	9170-1421
E261	9170-1418	1	CORE-SHIELDING BEAD	28480	9170-1418
E262	9170-1418	1	CORE-SHIELDING BEAD	28480	9170-1418
E263	9170-1418	1	CORE-SHIELDING BEAD	28480	9170-1418
E300	9170-1584	1	CORE-SHIELDING BEAD	28480	9170-1584
E311	9170-1421	1	CORE-SHIELDING BEAD	28480	9170-1421
E312	9170-1418	1	CORE-SHIELDING BEAD	28480	9170-1418
E313	9170-1421	1	CORE-SHIELDING BEAD	28480	9170-1421
E500	9170-1421	1	CORE-SHIELDING BEAD	28480	9170-1421
E502	9170-1421	1	CORE-SHIELDING BEAD	28480	9170-1421
E503	9170-1418	1	CORE-SHIELDING BEAD	28480	9170-1418
E504	9170-1418	1	CORE-SHIELDING BEAD	28480	9170-1418
E508	9170-1421	1	CORE-SHIELDING BEAD	28480	9170-1421
E509	9170-1418	1	CORE-SHIELDING BEAD	28480	9170-1418
E510	9170-1418	1	CORE-SHIELDING BEAD	28480	9170-1418

**Indicates factory-selected value*

HP Part Number 08713-60004
Source (8713B/14B) (continued)

Reference Designator	HP Part Number	Qty	Description	Mfr Code	Mfr Part Number
E511	9170-1418	1	CORE-SHIELDING BEAD	28480	9170-1418
E512	9170-1421	1	CORE-SHIELDING BEAD	28480	9170-1421
E513	9170-1418	1	CORE-SHIELDING BEAD	28480	9170-1418
E514	9170-1418	1	CORE-SHIELDING BEAD	28480	9170-1418
E515	9170-1418	1	CORE-SHIELDING BEAD	28480	9170-1418
E516	9170-1418	1	CORE-SHIELDING BEAD	28480	9170-1418
E517	9170-1418	1	CORE-SHIELDING BEAD	28480	9170-1418
E518	9170-1421	1	CORE-SHIELDING BEAD	28480	9170-1421
E522	9170-1418	1	CORE-SHIELDING BEAD	28480	9170-1418
E528	9170-1584	1	CORE-SHIELDING BEAD	28480	9170-1584
E529	9170-1584	1	CORE-SHIELDING BEAD	28480	9170-1584
E530	9170-1584	1	CORE-SHIELDING BEAD	28480	9170-1584
E531	9170-1584	1	CORE-SHIELDING BEAD	28480	9170-1584
✓FL1	9135-0461	1	FILTER-SUPPRESSION EMI; SMT; WORKING	09939	NFM61R10T102
✓FL2	9135-0461	1	FILTER-SUPPRESSION EMI; SMT; WORKING	09939	NFM61R10T102
✓ FL3	9135-0461	1	FILTER-SUPPRESSION EMI; SMT; WORKING	09939	NFM61R10T102
✓FL4	9135-0461	1	FILTER-SUPPRESSION EMI; SMT; WORKING	09939	NFM61R10T102
✓FL5	9135-0461	1	FILTER-SUPPRESSION EMI; SMT; WORKING	09939	NFM61R10T102
✓FL6	9135-0461	1	FILTER-SUPPRESSION EMI; SMT; WORKING	09939	NFM61R10T102
✓FL7	9135-0461	1	FILTER-SUPPRESSION EMI; SMT; WORKING	09939	NFM61R10T102
~FL8	9135-0461	1	FILTER-SUPPRESSION EMI; SMT; WORKING	09939	NFM61R10T102
✓FL9	9135-0461	1	FILTER-SUPPRESSION EMI; SMT; WORKING	09939	NFM61R10T102
✓FL10	9135-0461	1	FILTER-SUPPRESSION EMI; SMT; WORKING	09939	NFM61R10T102
✓FL13	9135-0461	1	FILTER-SUPPRESSION EMI; SMT; WORKING	09939	NFM61R10T102
✓FL14	9135-0461	1	FILTER-SUPPRESSION EMI; SMT; WORKING	09939	NFM61R10T102
✓FL15	9135-0461	1	FILTER-SUPPRESSION EMI; SMT; WORKING	09939	NFM61R10T102
✓FL16	9135-0461	1	FILTER-SUPPRESSION EMI; SMT; WORKING	09939	NFM61R10T102
✓FL17	9135-0461	1	FILTER-SUPPRESSION EMI; SMT; WORKING	09939	NFM61R10T102
FL18	9135-0461	1	FILTER-SUPPRESSION EMI; SMT; WORKING	09939	NFM61R10T102
✓FL19	9135-0461	1	FILTER-SUPPRESSION EMI; SMT; WORKING	09939	NFM61R10T102
✓FL20	9135-0461	1	FILTER-SUPPRESSION EMI; SMT; WORKING	09939	NFM61R10T102
J1	1250-1986	1	CONNECTOR-RF SMA RCPT PC-W/O-STDF 50-OHM	28480	1250-1986
J2	1250-1512	1	CONNECTOR-RF SMB PLUG PC-W-STDFS 50-OHM	28480	1250-1512
J3	1250-1512	1	CONNECTOR-RF SMB PLUG PC-W-STDFS 50-OHM	28480	1250-1512
J4	1250-1986	1	CONNECTOR-RF SMA RCPT PC-W/O-STDF 50-OHM	28480	1250-1986

**HP Part Number 08713-60004
Source (8713B/14B) (continued)**

Reference Designator	HP Part Number	Qty	Description	Mfr Code	Mfr Part Number
J5	1251-5033	1	CONN-POST TYPE .100-PIN-SPCG-MTG-END	28480	1251-5033
J6	1251-5033	1	CONN-POST TYPE .100-PIN-SPCG-MTG-END	28480	1251-5033
J7	1251-5033	1	CONN-POST TYPE .100-PIN-SPCG-MTG-END	28480	1251-5033
L1	9140-1435	1	INDUCTOR 390uH +-5% 3.4W-mmX4.8LG-mm	28480	9140-1435
L2	9140-1127	1	INDUCTOR 680uH +-5% 3.4W-mmX4.8LG-mm	28480	9140-1127
L3	9140-1244	1	INDUCTOR 1mH +-5% 3.4W-mmX4.8LG-mm Q=30	28480	9140-1244
L4	9140-1429	1	INDUCTOR 3.9uH +-5% 3.4W-mmX4.8LG-mm	28480	9140-1429
L6	9140-1121	1	INDUCTOR 100uH +-5% 3.4W-mmX4.8LG-mm	28480	9140-1121
L7	9100-3922	1	INDUCTOR-FIXED Z > 1200 OHMS 120 TO 650	28480	9100-3922
L8	9140-1278	1	INDUCTOR 68UH +-10% 7.5D-MM Q=45	28480	9140-1278
L9	9140-1278	1	INDUCTOR 68UH +-10% 7.5D-MM Q=45	28480	9140-1278
L10	9140-1435	1	INDUCTOR 390uH +-5% 3.4W-mmX4.8LG-mm	28480	9140-1435
L11	9140-1127	1	INDUCTOR 680uH +-5% 3.4W-mmX4.8LG-mm	28480	9140-1127
L12	9140-1244	1	INDUCTOR 1mH +-5% 3.4W-mmX4.8LG-mm Q=30	28480	9140-1244
L13	9140-1430	1	INDUCTOR 12uH +-5% 3.4W-mmX4.8LG-mm Q=50	28480	9140-1430
L14	9140-1644	1	INDUCTOR 11uH .198W-INX.305LG-IN	28480	9140-1644
L15	9140-1244	1	INDUCTOR 1mH +-5% 3.4W-mmX4.8LG-mm Q=30	28480	9140-1244
L16	9140-1121	1	INDUCTOR 100uH +-5% 3.4W-mmX4.8LG-mm	28480	9140-1121
L18	9100-3922	1	INDUCTOR-FIXED Z > 1200 OHMS 120 TO 650	28480	9100-3922
L20	9140-1429	1	INDUCTOR 3.9uH +-5% 3.4W-mmX4.8LG-mm	28480	9140-1429
L30	9100-3922	1	INDUCTOR-FIXED Z > 1200 OHMS 120 TO 650	28480	9100-3922
L40	9100-3922	1	INDUCTOR-FIXED Z > 1200 OHMS 120 TO 650	28480	9100-3922
L41	9100-3922	1	INDUCTOR-FIXED Z > 1200 OHMS 120 TO 650	28480	9100-3922
L506	9140-1114	1	INDUCTOR 15uH +-5% 3.4W-mmX4.8LG-mm Q=50	28480	9140-1114
L507	9140-1114	1	INDUCTOR 15uH +-5% 3.4W-mmX4.8LG-mm Q=50	28480	9140-1114
L508	9100-3922	1	INDUCTOR-FIXED Z > 1200 OHMS 120 TO 650	28480	9100-3922
L742	9140-1116	1	INDUCTOR 33uH +-5% 3.4W-mmX4.8LG-mm Q=50	28480	9140-1116
MP3	08713-20024	1	SHEILD-TOP FRNT	28480	08713-20024
MP4	08713-20028	1	GSKT-TOP FR SCE	28480	08713-20028
MP5	08713-20030	1	GSKT-LWR FR SCE	28480	08713-20030
MP6	08713-20026	1	SHIELD-LWR FRONT	28480	08713-20026
MP7	08713-20025	1	SHIELD-TOP REAR	28480	08713-20025
MP8	08713-20027	1	SHIELD-LWR REAR	28480	08713-20027
MP9	08713-20029	1	GSKT-TOP RR SCE	28480	08713-20029
MP10	08713-20031	1	GSKT-LWR RR SCE	28480	08713-20031

**Indicates factory-selected value*

HP Part Number 08713-60004
Source (8713B/14B) (continued)

Reference Designator	HP Part Number	Qty	Description	Mfr Code	Mfr Part Number
MP11	0515-0664	1	SCREW-MACHINE ASSEMBLY M3 X 0.5 12MM-LG	05610	
MP12	0515-0664	1	SCREW-MACHINE ASSEMBLY M3 X 0.5 12MM-LG	05610	
MP13	0515-0664	1	SCREW-MACHINE ASSEMBLY M3 X 0.5 12MM-LG	05610	
MP14	0515-0664	1	SCREW-MACHINE ASSEMBLY M3 X 0.5 12MM-LG	05610	
MP15	0515-0664	1	SCREW-MACHINE ASSEMBLY M3 X 0.5 12MM-LG	05610	
MP16	0515-0664	1	SCREW-MACHINE ASSEMBLY M3 X 0.5 12MM-LG	05610	
MP17	0515-0664	1	SCREW-MACHINE ASSEMBLY M3 X 0.5 12MM-LG	05610	
MP18	0515-0664	1	SCREW-MACHINE ASSEMBLY M3 X 0.5 12MM-LG	05610	
MP19	0515-0664	1	SCREW-MACHINE ASSEMBLY M3 X 0.5 12MM-LG	05610	
MP20	0515-0664	1	SCREW-MACHINE ASSEMBLY M3 X 0.5 12MM-LG	05610	
MP21	0515-0664	1	SCREW-MACHINE ASSEMBLY M3 X 0.5 12MM-LG	05610	
MP22	0515-0664	1	SCREW-MACHINE ASSEMBLY M3 X 0.5 12MM-LG	05610	
MP23	0515-0664	1	SCREW-MACHINE ASSEMBLY M3 X 0.5 12MM-LG	05610	
MP24	0515-0664	1	SCREW-MACHINE ASSEMBLY M3 X 0.5 12MM-LG	05610	
MP25	0515-0664	1	SCREW-MACHINE ASSEMBLY M3 X 0.5 12MM-LG	05610	
MP26	0515-0664	1	SCREW-MACHINE ASSEMBLY M3 X 0.5 12MM-LG	05610	
MP27	0515-0664	1	SCREW-MACHINE ASSEMBLY M3 X 0.5 12MM-LG	05610	
MP28	0515-0664	1	SCREW-MACHINE ASSEMBLY M3 X 0.5 12MM-LG	05610	
MP29	0515-0664	1	SCREW-MACHINE ASSEMBLY M3 X 0.5 12MM-LG	05610	
MP30	0515-0664	1	SCREW-MACHINE ASSEMBLY M3 X 0.5 12MM-LG	05610	
MP31	0515-0664	1	SCREW-MACHINE ASSEMBLY M3 X 0.5 12MM-LG	05610	
MP32	0515-0664	1	SCREW-MACHINE ASSEMBLY M3 X 0.5 12MM-LG	05610	
MP33	0515-0664	1	SCREW-MACHINE ASSEMBLY M3 X 0.5 12MM-LG	05610	
MP34	0515-0664	1	SCREW-MACHINE ASSEMBLY M3 X 0.5 12MM-LG	05610	
MP35	0515-0664	1	SCREW-MACHINE ASSEMBLY M3 X 0.5 12MM-LG	05610	
MP36	0515-0664	1	SCREW-MACHINE ASSEMBLY M3 X 0.5 12MM-LG	05610	
MP37	0515-0664	1	SCREW-MACHINE ASSEMBLY M3 X 0.5 12MM-LG	05610	
MP38	0515-0664	1	SCREW-MACHINE ASSEMBLY M3 X 0.5 12MM-LG	05610	
MP39	0515-0664	1	SCREW-MACHINE ASSEMBLY M3 X 0.5 12MM-LG	05610	
MP40	0515-0664	1	SCREW-MACHINE ASSEMBLY M3 X 0.5 12MM-LG	05610	
MP41	1400-1661	1	CLAMP-COMPONENT SST	13522	
MP42	1400-1661	1	CLAMP-COMPONENT SST	13522	
MP43	1400-1661	1	CLAMP-COMPONENT SST	13522	
MP44	1400-1662	1	CLAMP-COMPONENT SST	13522	
MP45	1400-1662	1	CLAMP-COMPONENT SST	13522	

**HP Part Number 08713-60004
Source (8713B/14B) (continued)**

Reference Designator	HP Part Number	Qty	Description	Mfr Code	Mfr Part Number
MP46	0590-1637	1	THREADED INSERT-NUT M2 X 0.4 1.5-MM-LG	03981	KFS2-M2
MP47	0590-1637	1	THREADED INSERT-NUT M2 X 0.4 1.5-MM-LG	03981	KFS2-M2
MP48	0590-1637	1	THREADED INSERT-NUT M2 X 0.4 1.5-MM-LG	03981	KFS2-M2
MP49	0590-1637	1	THREADED INSERT-NUT M2 X 0.4 1.5-MM-LG	03981	KFS2-M2
MP50	0590-1637	1	THREADED INSERT-NUT M2 X 0.4 1.5-MM-LG	03981	KFS2-M2
MP51	0590-1637	1	THREADED INSERT-NUT M2 X 0.4 1.5-MM-LG	03981	KFS2-M2
MP52	0590-1637	1	THREADED INSERT-NUT M2 X 0.4 1.5-MM-LG	03981	KFS2-M2
MP53	0590-1637	1	THREADED INSERT-NUT M2 X 0.4 1.5-MM-LG	03981	KFS2-M2
MP54	0590-1637	1	THREADED INSERT-NUT M2 X 0.4 1.5-MM-LG	03981	KFS2-M2
MP55	0590-1637	1	THREADED INSERT-NUT M2 X 0.4 1.5-MM-LG	03981	KFS2-M2
MP56	0515-0658	1	SCREW-MACHINE ASSEMBLY M2 X 0.4 6MM-LG	05610	
MP57	0515-0658	1	SCREW-MACHINE ASSEMBLY M2 X 0.4 6MM-LG	05610	
MP58	0515-0658	1	SCREW-MACHINE ASSEMBLY M2 X 0.4 6MM-LG	05610	
MP59	0515-0658	1	SCREW-MACHINE ASSEMBLY M2 X 0.4 6MM-LG	05610	
MP60	0515-0658	1	SCREW-MACHINE ASSEMBLY M2 X 0.4 6MM-LG	05610	
MP61	0515-0658	1	SCREW-MACHINE ASSEMBLY M2 X 0.4 6MM-LG	05610	
MP62	0515-0658	1	SCREW-MACHINE ASSEMBLY M2 X 0.4 6MM-LG	05610	
MP63	0515-0658	1	SCREW-MACHINE ASSEMBLY M2 X 0.4 6MM-LG	05610	
MP64	0515-0658	1	SCREW-MACHINE ASSEMBLY M2 X 0.4 6MM-LG	05610	
MP65	0515-0658	1	SCREW-MACHINE ASSEMBLY M2 X 0.4 6MM-LG	05610	
MP66	1205-0639	1	HEAT SINK SGL TO-220-CS	07179	576802B03100
MP67	1205-0639	1	HEAT SINK SGL TO-220-CS	07179	576802B03100
MP68	1205-0639	1	HEAT SINK SGL TO-220-CS	07179	576802B03100
MP69	1205-0639	1	HEAT SINK SGL TO-220-CS	07179	576802B03100
MP70	1205-0639	1	HEAT SINK SGL TO-220-CS	07179	576802B03100
MP71	0515-0430	1	SCREW-MACHINE ASSEMBLY M3 X 0.5 6MM-LG	05610	
MP72	0515-0430	1	SCREW-MACHINE ASSEMBLY M3 X 0.5 6MM-LG	05610	
MP73	0515-0430	1	SCREW-MACHINE ASSEMBLY M3 X 0.5 6MM-LG	05610	
MP74	0590-1095	1	THREADED INSERT-NUT M3 X 0.5 1.5-MM-LG	03981	KF2-M3-ZI
MP75	0590-1095	1	THREADED INSERT-NUT M3 X 0.5 1.5-MM-LG	03981	KF2-M3-ZI
MP76	0590-1095	1	THREADED INSERT-NUT M3 X 0.5 1.5-MM-LG	03981	KF2-M3-ZI
MP77	08712-60007	1	SHLD AY-SOURCE	28480	08712-60007
MP78	0590-1095	1	THREADED INSERT-NUT M3 X 0.5 1.5-MM-LG	03981	KF2-M3-ZI
MP79	0590-1095	1	THREADED INSERT-NUT M3 X 0.5 1.5-MM-LG	03981	KF2-M3-ZI
MP80	1400-1669	1	BRACKET L-BRACKET; ALUMINUM; W/M3X0.5	13522	

**Indicates factory-selected value*

HP Part Number 08713-60004
Source (8713B/14B) (continued)

Reference Designator	HP Part Number	Qty	Description	Mfr Code	Mfr Part Number
MP81	2190-0124	1	WASHER-LK INTL T NO. 10 .195-IN-ID	02788	500222
MP82	2190-0124	1	WASHER-LK INTL T NO. 10 .195-IN-ID	02788	500222
MP83	2950-0078	1	NUT-HEX-DBL-CHAM 10-32-THD .067-IN-THK	00904	
MP84	2950-0078	1	NUT-HEX-DBL-CHAM 10-32-THD .067-IN-THK	00904	
MP85	08713-20032	1	HEATSINK	28480	08713-20032
MP86	0515-0658	1	SCREW-MACHINE ASSEMBLY M2 X 0.4 6MM-LG	05610	
MP87	0515-0658	1	SCREW-MACHINE ASSEMBLY M2 X 0.4 6MM-LG	05610	
MP88	0515-0658	1	SCREW-MACHINE ASSEMBLY M2 X 0.4 6MM-LG	05610	
MP89	0515-0658	1	SCREW-MACHINE ASSEMBLY M2 X 0.4 6MM-LG	05610	
MP90	3030-0422	1	SCREW-SKT HD CAP 0-80 .188-IN-LG SST-302	04418	
MP91	3030-0422	1	SCREW-SKT HD CAP 0-80 .188-IN-LG SST-302	04418	
MP92	3030-0422	1	SCREW-SKT HD CAP 0-80 .188-IN-LG SST-302	04418	
MP93	3030-0422	1	SCREW-SKT HD CAP 0-80 .188-IN-LG SST-302	04418	
MP94	2190-0572	1	WASHER-LK HLCL NO. 0 .062-IN-ID .1-IN-OD	01240	
MP95	2190-0572	1	WASHER-LK HLCL NO. 0 .062-IN-ID .1-IN-OD	01240	
MP96	2190-0572	1	WASHER-LK HLCL NO. 0 .062-IN-ID .1-IN-OD	01240	
MP97	2190-0572	1	WASHER-LK HLCL NO. 0 .062-IN-ID .1-IN-OD	01240	
MP102	0515-0430	1	SCREW-MACHINE ASSEMBLY M3 X 0.5 6MM-LG	05610	
MP103	0515-0430	1	SCREW-MACHINE ASSEMBLY M3 X 0.5 6MM-LG	05610	
MP104	0515-0430	1	SCREW-MACHINE ASSEMBLY M3 X 0.5 6MM-LG	05610	
MP105	0515-0430	1	SCREW-MACHINE ASSEMBLY M3 X 0.5 6MM-LG	05610	
MP106	0515-0430	1	SCREW-MACHINE ASSEMBLY M3 X 0.5 6MM-LG	05610	
MP107	0515-0430	1	SCREW-MACHINE ASSEMBLY M3 X 0.5 6MM-LG	05610	
MP108	0515-0430	1	SCREW-MACHINE ASSEMBLY M3 X 0.5 6MM-LG	05610	
MP109	0515-0430	1	SCREW-MACHINE ASSEMBLY M3 X 0.5 6MM-LG	05610	
MP110	08711-80034	1	LBL IN SOURCE	28480	08711-80034
P1	1252-2356	1	CONN-POST TYPE 2.54-PIN-SPCG-MTG-END	28480	1252-2356
Q3	1854-1037	1	TRANSISTOR NPN SI TO-236AA PD=350MW	28480	1854-1037
Q6	1854-1248	1	TRANSISTOR NPN SI SOT-23 (TO-236AB)	28480	1854-1248
Q7	1854-1037	1	TRANSISTOR NPN SI TO-236AA PD=350MW	28480	1854-1037
Q8	1854-1188	1	TRANSISTOR NPN SI SOT-23 (TO-236AB)	28480	1854-1188
Q11	1853-0567	1	TRANSISTOR PNP SI SOT-23 (TO-236AB)	28480	1853-0567
Q12	1855-0935	1	TRANSISTOR GAAS FET N-CHAN D-MODE	28480	1855-0935
Q13	1855-0935	1	TRANSISTOR GAAS FET N-CHAN D-MODE	28480	1855-0935
Q15	1854-0828	1	TRANSISTOR NPN SI TO-220AB PD=65W	28480	1854-0828

**HP Part Number 08713-60004
Source (8713B/14B) (continued)**

Reference Designator	HP Part Number	Qty	Description	Mfr Code	Mfr Part Number
Q16	1854-1037	1	TRANSISTOR NPN SI TO-236AA PD=350MW	28480	1854-1037
Q17	1854-1095	1	TRANSISTOR NPN SI SOT-23 (TO-236AB)	28480	1854-1095
Q18	1854-1270	1	TRANSISTOR NPN SI TO-261AA (SOT-223)	28480	1854-1270
Q19	1854-1037	1	TRANSISTOR NPN SI TO-236AA PD=350MW	28480	1854-1037
Q20	1855-0082	1	TRANSISTOR J-FET P-CHAN D-MODE SI	28480	1855-0082
Q21	1854-0295	1	TRANSISTOR-DUAL NPN TO-78 PD=400MW	28480	1854-0295
Q22	1854-1251	1	TRANSISTOR-DUAL NPN	28480	1854-1251
Q23	1854-1037	1	TRANSISTOR NPN SI TO-236AA PD=350MW	28480	1854-1037
Q24	1854-1037	1	TRANSISTOR NPN SI TO-236AA PD=350MW	28480	1854-1037
Q25	1854-1270	1	TRANSISTOR NPN SI TO-261AA (SOT-223)	28480	1854-1270
Q26	1854-1095	1	TRANSISTOR NPN SI SOT-23 (TO-236AB)	28480	1854-1095
Q27	1853-0567	1	TRANSISTOR PNP SI SOT-23 (TO-236AB)	28480	1853-0567
Q28	1854-1037	1	TRANSISTOR NPN SI TO-236AA PD=350MW	28480	1854-1037
Q30	1853-0567	1	TRANSISTOR PNP SI SOT-23 (TO-236AB)	28480	1853-0567
Q31	1854-1037	1	TRANSISTOR NPN SI TO-236AA PD=350MW	28480	1854-1037
Q32	1853-0567	1	TRANSISTOR PNP SI SOT-23 (TO-236AB)	28480	1853-0567
Q33	1854-1037	1	TRANSISTOR NPN SI TO-236AA PD=350MW	28480	1854-1037
Q34	1854-1037	1	TRANSISTOR NPN SI TO-236AA PD=350MW	28480	1854-1037
Q35	1854-1037	1	TRANSISTOR NPN SI TO-236AA PD=350MW	28480	1854-1037
Q36	1854-1037	1	TRANSISTOR NPN SI TO-236AA PD=350MW	28480	1854-1037
Q37	1854-1037	1	TRANSISTOR NPN SI TO-236AA PD=350MW	28480	1854-1037
Q40	1854-1188	1	TRANSISTOR NPN SI SOT-23 (TO-236AB)	28480	1854-1188
Q41	1854-1037	1	TRANSISTOR NPN SI TO-236AA PD=350MW	28480	1854-1037
Q42	1854-1270	1	TRANSISTOR NPN SI TO-261AA (SOT-223)	28480	1854-1270
Q43	1853-0724	1	TRANSISTOR PNP SI TO-261AA (SOT-223)	28480	1853-0724
Q46	1854-1037	1	TRANSISTOR NPN SI TO-236AA PD=350MW	28480	1854-1037
Q47	1853-0580	1	TRANSISTOR PNP SI SOT-23 (TO-236AB)	28480	1853-0580
R1	0699-1427	1	RESISTOR 316 +-1% .125W TKF TC=0+-100	28480	0699-1427
R2	0699-1318	1	RESISTOR 1K +-1% .125W TKF TC=0+-100	28480	0699-1318
R4	0699-1366	1	RESISTOR 82.5 +-1% .125W TKF TC=0+-100	28480	0699-1366
R5	1810-1065	1	NETWORK-RES 16-SMD 1.0K OHM X 15	28480	1810-1065
R8	1810-1064	1	NETWORK-RES 16-SMD 10.0K OHM X 15	28480	1810-1064
R10	0699-1320	1	RESISTOR 19.6K +-1% .125W TKF TC=0+-100	28480	0699-1320
R11	0699-1318	1	RESISTOR 1K +-1% .125W TKF TC=0+-100	28480	0699-1318
R12	0699-1318	1	RESISTOR 1K +-1% .125W TKF TC=0+-100	28480	0699-1318

**Indicates factory-selected value*

HP Part Number 08713-60004
Source (8713B/14B) (continued)

Reference Designator	HP Part Number	Qty	Description	Mfr Code	Mfr Part Number
R13	0699-1318	1	RESISTOR 1K +-1% .125W TKF TC=0+-100	28480	0699-1318
R14	0699-1369	1	RESISTOR 1.1K +-1% .125W TKF TC=0+-100	28480	0699-1369
R15	0699-1389	1	RESISTOR 8.25K +-1% .125W TKF TC=0+-100	28480	0699-1389
R16	0699-1389	1	RESISTOR 8.25K +-1% .125W TKF TC=0+-100	28480	0699-1389
R17	0699-1382	1	RESISTOR 3.83K +-1% .125W TKF TC=0+-100	28480	0699-1382
R18	0699-1385	1	RESISTOR 5.11K +-1% .125W TKF TC=0+-100	28480	0699-1385
R19	0699-1394	1	RESISTOR 14.7K +-1% .125W TKF TC=0+-100	28480	0699-1394
R20	0699-1391	1	RESISTOR 10K +-1% .125W TKF TC=0+-100	28480	0699-1391
R22	0699-1320	1	RESISTOR 19.6K +-1% .125W TKF TC=0+-100	28480	0699-1320
R23	0699-1385	1	RESISTOR 5.11K +-1% .125W TKF TC=0+-100	28480	0699-1385
R29	0699-1415	1	RESISTOR 100 +-1% .125W TKF TC=0+-100	28480	0699-1415
R30	0699-1415	1	RESISTOR 100 +-1% .125W TKF TC=0+-100	28480	0699-1415
R31	0699-1401	1	RESISTOR 28.7K +-1% .125W TKF TC=0+-100	28480	0699-1401
R32	0699-1401	1	RESISTOR 28.7K +-1% .125W TKF TC=0+-100	28480	0699-1401
R36	0699-1318	1	RESISTOR 1K +-1% .125W TKF TC=0+-100	28480	0699-1318
R37	0699-1375	1	RESISTOR 1.96K +-1% .125W TKF TC=0+-100	28480	0699-1375
R38	0699-1401	1	RESISTOR 28.7K +-1% .125W TKF TC=0+-100	28480	0699-1401
R39	0699-1388	1	RESISTOR 7.5K +-1% .125W TKF TC=0+-100	28480	0699-1388
R41	0699-1422	1	RESISTOR 196 +-1% .125W TKF TC=0+-100	28480	0699-1422
R42	0699-1385	1	RESISTOR 5.11K +-1% .125W TKF TC=0+-100	28480	0699-1385
R43	0699-1392	1	RESISTOR 11K +-1% .125W TKF TC=0+-100	28480	0699-1392
R44	0699-1378	1	RESISTOR 2.61K +-1% .125W TKF TC=0+-100	28480	0699-1378
R45	0699-1319	1	RESISTOR 12.1K +-1% .125W TKF TC=0+-100	28480	0699-1319
R46	0699-1385	1	RESISTOR 5.11K +-1% .125W TKF TC=0+-100	28480	0699-1385
R47	0699-1424	1	RESISTOR 237 +-1% .125W TKF TC=0+-100	28480	0699-1424
R49	0699-1318	1	RESISTOR 1K +-1% .125W TKF TC=0+-100	28480	0699-1318
R50	0698-3609	1	RESISTOR 22 +-5% 2W MO TC=0+-200	28480	0698-3609
R51	0699-1375	1	RESISTOR 1.96K +-1% .125W TKF TC=0+-100	28480	0699-1375
R56	0698-3609	1	RESISTOR 22 +-5% 2W MO TC=0+-200	28480	0698-3609
R58	0699-1415	1	RESISTOR 100 +-1% .125W TKF TC=0+-100	28480	0699-1415
R59	0699-1415	1	RESISTOR 100 +-1% .125W TKF TC=0+-100	28480	0699-1415
R61	0699-1318	1	RESISTOR 1K +-1% .125W TKF TC=0+-100	28480	0699-1318
R62	0699-1318	1	RESISTOR 1K +-1% .125W TKF TC=0+-100	28480	0699-1318
R63	0699-1318	1	RESISTOR 1K +-1% .125W TKF TC=0+-100	28480	0699-1318
R64	0699-1369	1	RESISTOR 1.1K +-1% .125W TKF TC=0+-100	28480	0699-1369

**HP Part Number 08713-60004
Source (8713B/14B) (continued)**

Reference Designator	HP Part Number	Qty	Description	Mfr Code	Mfr Part Number
R65	0699-1385	1	RESISTOR 5.11K +-1% .125W TKF TC=0+-100	28480	0699-1385
R66	0699-1385	1	RESISTOR 5.11K +-1% .125W TKF TC=0+-100	28480	0699-1385
R70	0699-1361	1	RESISTOR 51.1 +-1% .125W TKF TC=0+-100	28480	0699-1361
R71	0699-1356	1	RESISTOR 31.6 +-1% .125W TKF TC=0+-100	28480	0699-1356
R72	0699-1350	1	RESISTOR 17.8 +-1% .125W TKF TC=0+-100	28480	0699-1350
R73	0699-1350	1	RESISTOR 17.8 +-1% .125W TKF TC=0+-100	28480	0699-1350
R74	0699-1350	1	RESISTOR 17.8 +-1% .125W TKF TC=0+-100	28480	0699-1350
R75	0699-1425	1	RESISTOR 261 +-1% .125W TKF TC=0+-100	28480	0699-1425
R76	0699-1391	1	RESISTOR 10K +-1% .125W TKF TC=0+-100	28480	0699-1391
R77	0699-1415	1	RESISTOR 100 +-1% .125W TKF TC=0+-100	28480	0699-1415
R78	0699-1375	1	RESISTOR 1.96K +-1% .125W TKF TC=0+-100	28480	0699-1375
R79	0699-3932	1	RESISTOR 215 +-1% .063W TKF TC=0+-200	28480	0699-3932
R80	0699-1362	1	RESISTOR 56.2 +-1% .125W TKF TC=0+-100	28480	0699-1362
R86	0699-1385	1	RESISTOR 5.11K +-1% .125W TKF TC=0+-100	28480	0699-1385
R87	0699-1391	1	RESISTOR 10K +-1% .125W TKF TC=0+-100	28480	0699-1391
R88	0699-1388	1	RESISTOR 7.5K +-1% .125W TKF TC=0+-100	28480	0699-1388
R89	0699-1391	1	RESISTOR 10K +-1% .125W TKF TC=0+-100	28480	0699-1391
R90	0699-1385	1	RESISTOR 5.11K +-1% .125W TKF TC=0+-100	28480	0699-1385
R93	0699-1391	1	RESISTOR 10K +-1% .125W TKF TC=0+-100	28480	0699-1391
R95	0699-1365	1	RESISTOR 75 +-1% .125W TKF TC=0+-100	28480	0699-1365
R96	0699-1344	1	RESISTOR 10 +-1% .125W TKF TC=0+-100	28480	0699-1344
R97	0699-1365	1	RESISTOR 75 +-1% .125W TKF TC=0+-100	28480	0699-1365
R98	0699-1344	1	RESISTOR 10 +-1% .125W TKF TC=0+-100	28480	0699-1344
R99	0699-1423	1	RESISTOR 215 +-1% .125W TKF TC=0+-100	28480	0699-1423
R100	0699-1423	1	RESISTOR 215 +-1% .125W TKF TC=0+-100	28480	0699-1423
R101	0699-1352	1	RESISTOR 21.5 +-1% .125W TKF TC=0+-100	28480	0699-1352
R102	0699-1318	1	RESISTOR 1K +-1% .125W TKF TC=0+-100	28480	0699-1318
R103	0699-1318	1	RESISTOR 1K +-1% .125W TKF TC=0+-100	28480	0699-1318
R104	0699-1375	1	RESISTOR 1.96K +-1% .125W TKF TC=0+-100	28480	0699-1375
R110	0699-1319	1	RESISTOR 12.1K +-1% .125W TKF TC=0+-100	28480	0699-1319
R111	0699-1391	1	RESISTOR 10K +-1% .125W TKF TC=0+-100	28480	0699-1391
R112	0699-1391	1	RESISTOR 10K +-1% .125W TKF TC=0+-100	28480	0699-1391
R113	0699-1385	1	RESISTOR 5.11K +-1% .125W TKF TC=0+-100	28480	0699-1385
R114	0699-1385	1	RESISTOR 5.11K +-1% .125W TKF TC=0+-100	28480	0699-1385
R115	0699-1320	1	RESISTOR 19.6K +-1% .125W TKF TC=0+-100	28480	0699-1320

**Indicates factory-selected value*

HP Part Number 08713-60004
Source (8713B/14B) (continued)

Reference Designator	HP Part Number	Qty	Description	Mfr Code	Mfr Part Number
R120	0699-1318	1	RESISTOR 1K +-1% .125W TKF TC=0+-100	28480	0699-1318
R121	0699-1369	1	RESISTOR 1.1K +-1% .125W TKF TC=0+-100	28480	0699-1369
R122	0699-1318	1	RESISTOR 1K +-1% .125W TKF TC=0+-100	28480	0699-1318
R123	0699-1318	1	RESISTOR 1K +-1% .125W TKF TC=0+-100	28480	0699-1318
R125	0699-1385	1	RESISTOR 5.11K +-1% .125W TKF TC=0+-100	28480	0699-1385
R126	0699-1385	1	RESISTOR 5.11K +-1% .125W TKF TC=0+-100	28480	0699-1385
R127	0699-1361	1	RESISTOR 51.1 +-1% .125W TKF TC=0+-100	28480	0699-1361
R128	0699-1391	1	RESISTOR 10K +-1% .125W TKF TC=0+-100	28480	0699-1391
R129	0699-1391	1	RESISTOR 10K +-1% .125W TKF TC=0+-100	28480	0699-1391
R130	0699-1385	1	RESISTOR 5.11K +-1% .125W TKF TC=0+-100	28480	0699-1385
R131	0699-1356	1	RESISTOR 31.6 +-1% .125W TKF TC=0+-100	28480	0699-1356
R132	0699-1318	1	RESISTOR 1K +-1% .125W TKF TC=0+-100	28480	0699-1318
R138	0699-1391	1	RESISTOR 10K +-1% .125W TKF TC=0+-100	28480	0699-1391
R139	0699-1388	1	RESISTOR 7.5K +-1% .125W TKF TC=0+-100	28480	0699-1388
R140	0699-1344	1	RESISTOR 10 +-1% .125W TKF TC=0+-100	28480	0699-1344
R141	0699-1344	1	RESISTOR 10 +-1% .125W TKF TC=0+-100	28480	0699-1344
R142	0699-1365	1	RESISTOR 75 +-1% .125W TKF TC=0+-100	28480	0699-1365
R143	0699-1415	1	RESISTOR 100 +-1% .125W TKF TC=0+-100	28480	0699-1415
R144	0699-1318	1	RESISTOR 1K +-1% .125W TKF TC=0+-100	28480	0699-1318
R145	0699-1427	1	RESISTOR 316 +-1% .125W TKF TC=0+-100	28480	0699-1427
R146	0699-1427	1	RESISTOR 316 +-1% .125W TKF TC=0+-100	28480	0699-1427
R148	0699-1385	1	RESISTOR 5.11K +-1% .125W TKF TC=0+-100	28480	0699-1385
R149	0699-1365	1	RESISTOR 75 +-1% .125W TKF TC=0+-100	28480	0699-1365
R150	0699-1375	1	RESISTOR 1.96K +-1% .125W TKF TC=0+-100	28480	0699-1375
R151	0699-1423	1	RESISTOR 215 +-1% .125W TKF TC=0+-100	28480	0699-1423
R152	0699-1375	1	RESISTOR 1.96K +-1% .125W TKF TC=0+-100	28480	0699-1375
R153	0699-1423	1	RESISTOR 215 +-1% .125W TKF TC=0+-100	28480	0699-1423
R160	0699-3947	1	RESISTOR 1K +-1% .063W TKF TC=0+-200	28480	0699-3947
R169	0699-3947	1	RESISTOR 1K +-1% .063W TKF TC=0+-200	28480	0699-3947
R170	0699-1424	1	RESISTOR 237 +-1% .125W TKF TC=0+-100	28480	0699-1424
R171	0699-1424	1	RESISTOR 237 +-1% .125W TKF TC=0+-100	28480	0699-1424
R172	0699-1424	1	RESISTOR 237 +-1% .125W TKF TC=0+-100	28480	0699-1424
R173	0699-1424	1	RESISTOR 237 +-1% .125W TKF TC=0+-100	28480	0699-1424
R174	0699-1318	1	RESISTOR 1K +-1% .125W TKF TC=0+-100	28480	0699-1318
R175	0699-1318	1	RESISTOR 1K +-1% .125W TKF TC=0+-100	28480	0699-1318

**HP Part Number 08713-60004
Source (8713B/14B) (continued)**

Reference Designator	HP Part Number	Qty	Description	Mfr Code	Mfr Part Number
R176	0699-1370	1	RESISTOR 1.21K +-1% .125W TKF TC=0+-100	28480	0699-1370
R177	0699-3947	1	RESISTOR 1K +-1% .063W TKF TC=0+-200	28480	0699-3947
R178	0699-1365	1	RESISTOR 75 +-1% .125W TKF TC=0+-100	28480	0699-1365
R179	0699-1365	1	RESISTOR 75 +-1% .125W TKF TC=0+-100	28480	0699-1365
R180	0699-3939	1	RESISTOR 422 +-1% .063W TKF TC=0+-200	28480	0699-3939
R181	0699-1365	1	RESISTOR 75 +-1% .125W TKF TC=0+-100	28480	0699-1365
R182	0699-3939	1	RESISTOR 422 +-1% .063W TKF TC=0+-200	28480	0699-3939
R183	0699-3970	1	RESISTOR 10K +-1% .063W TKF TC=0+-200	28480	0699-3970
R184	0699-3964	1	RESISTOR 5.11K +-1% .063W TKF TC=0+-200	28480	0699-3964
R185	0699-3964	1	RESISTOR 5.11K +-1% .063W TKF TC=0+-200	28480	0699-3964
R186	0699-1365	1	RESISTOR 75 +-1% .125W TKF TC=0+-100	28480	0699-1365
R187	0699-1432	1	RESISTOR 511 +-1% .125W TKF TC=0+-100	28480	0699-1432
R216	0699-1318	1	RESISTOR 1K +-1% .125W TKF TC=0+-100	28480	0699-1318
R218	0699-1320	1	RESISTOR 19.6K +-1% .125W TKF TC=0+-100	28480	0699-1320
R219	0699-1327	1	RESISTOR 1M +-1% .125W TKF TC=0+-100	28480	0699-1327
R220	0699-1384	1	RESISTOR 4.64K +-1% .125W TKF TC=0+-100	28480	0699-1384
R221	0699-1318	1	RESISTOR 1K +-1% .125W TKF TC=0+-100	28480	0699-1318
R222	0699-1375	1	RESISTOR 1.96K +-1% .125W TKF TC=0+-100	28480	0699-1375
R223	0699-1318	1	RESISTOR 1K +-1% .125W TKF TC=0+-100	28480	0699-1318
R224	0699-1383	1	RESISTOR 4.22K +-1% .125W TKF TC=0+-100	28480	0699-1383
R225	0699-1327	1	RESISTOR 1M +-1% .125W TKF TC=0+-100	28480	0699-1327
R226	0699-1414	1	RESISTOR 90.9K +-1% .125W TKF TC=0+-100	28480	0699-1414
R227	0699-1318	1	RESISTOR 1K +-1% .125W TKF TC=0+-100	28480	0699-1318
R228	0699-1385	1	RESISTOR 5.11K +-1% .125W TKF TC=0+-100	28480	0699-1385
R229	0699-1329	1	RESISTOR 6.19K +-1% .125W TKF TC=0+-100	28480	0699-1329
R230	0699-1432	1	RESISTOR 511 +-1% .125W TKF TC=0+-100	28480	0699-1432
R231	0699-1329	1	RESISTOR 6.19K +-1% .125W TKF TC=0+-100	28480	0699-1329
R232	0699-1330	1	RESISTOR 100K +-1% .125W TKF TC=0+-100	28480	0699-1330
R233	0699-1415	1	RESISTOR 100 +-1% .125W TKF TC=0+-100	28480	0699-1415
R234	0699-1372	1	RESISTOR 1.47K +-1% .125W TKF TC=0+-100	28480	0699-1372
R235	0699-1320	1	RESISTOR 19.6K +-1% .125W TKF TC=0+-100	28480	0699-1320
R237	0699-1385	1	RESISTOR 5.11K +-1% .125W TKF TC=0+-100	28480	0699-1385
R238	0699-1386	1	RESISTOR 5.62K +-1% .125W TKF TC=0+-100	28480	0699-1386
R241	0699-1415	1	RESISTOR 100 +-1% .125W TKF TC=0+-100	28480	0699-1415
R242	0699-1415	1	RESISTOR 100 +-1% .125W TKF TC=0+-100	28480	0699-1415

**Indicates factory-selected value*

HP Part Number 08713-60004
Source (8713B/14B) (continued)

Reference Designator	HP Part Number	Qty	Description	Mfr Code	Mfr Part Number
R245	0699-1425	1	RESISTOR 261 +-1% .125W TKF TC=0+-100	28480	0699-1425
R246	0699-1377	1	RESISTOR 2.37K +-1% .125W TKF TC=0+-100	28480	0699-1377
R247	0699-1329	1	RESISTOR 6.19K +-1% .125W TKF TC=0+-100	28480	0699-1329
R252	0699-1377	1	RESISTOR 2.37K +-1% .125W TKF TC=0+-100	28480	0699-1377
R253	0699-1425	1	RESISTOR 261 +-1% .125W TKF TC=0+-100	28480	0699-1425
R283	0699-1385	1	RESISTOR 5.11K +-1% .125W TKF TC=0+-100	28480	0699-1385
R284	0699-1385	1	RESISTOR 5.11K +-1% .125W TKF TC=0+-100	28480	0699-1385
R285	0699-1375	1	RESISTOR 1.96K +-1% .125W TKF TC=0+-100	28480	0699-1375
R289	0699-1432	1	RESISTOR 511 +-1% .125W TKF TC=0+-100	28480	0699-1432
R300	0699-3918	1	RESISTOR 51.1 +-1% .063W TKF TC=0+-200	28480	0699-3918
R301	0699-3910	1	RESISTOR 23.7 +-1% .063W TKF TC=0+-200	28480	0699-3910
R302	0699-3910	1	RESISTOR 23.7 +-1% .063W TKF TC=0+-200	28480	0699-3910
R303	0699-3910	1	RESISTOR 23.7 +-1% .063W TKF TC=0+-200	28480	0699-3910
R304	0699-1363	1	RESISTOR 61.9 +-1% .125W TKF TC=0+-100	28480	0699-1363
R305	0699-1363	1	RESISTOR 61.9 +-1% .125W TKF TC=0+-100	28480	0699-1363
R306	0699-3919	1	RESISTOR 61.9 +-1% .063W TKF TC=0+-200	28480	0699-3919
R307	0699-3919	1	RESISTOR 61.9 +-1% .063W TKF TC=0+-200	28480	0699-3919
R308	0699-1363	1	RESISTOR 61.9 +-1% .125W TKF TC=0+-100	28480	0699-1363
R309	0699-1363	1	RESISTOR 61.9 +-1% .125W TKF TC=0+-100	28480	0699-1363
R310	0699-1424	1	RESISTOR 237 +-1% .125W TKF TC=0+-100	28480	0699-1424
R311	0699-1424	1	RESISTOR 237 +-1% .125W TKF TC=0+-100	28480	0699-1424
R312	0699-3947	1	RESISTOR 1K +-1% .063W TKF TC=0+-200	28480	0699-3947
R313	0699-1426	1	RESISTOR 287 +-1% .125W TKF TC=0+-100	28480	0699-1426
R314	0699-1426	1	RESISTOR 287 +-1% .125W TKF TC=0+-100	28480	0699-1426
R316	0698-3622	1	RESISTOR 120 +-5% 2W MO TC=0+-200	28480	0698-3622
R317	0698-3622	1	RESISTOR 120 +-5% 2W MO TC=0+-200	28480	0698-3622
R318	0699-1345	1	RESISTOR 11 +-1% .125W TKF TC=0+-100	28480	0699-1345
R319	0699-1345	1	RESISTOR 11 +-1% .125W TKF TC=0+-100	28480	0699-1345
R320	0699-3924	1	RESISTOR 100 +-1% .063W TKF TC=0+-200	28480	0699-3924
R329	0699-3941	1	RESISTOR 511 +-1% .063W TKF TC=0+-200	28480	0699-3941
R330	0699-3954	1	RESISTOR 1.96K +-1% .063W TKF TC=0+-200	28480	0699-3954
R331	0699-3954	1	RESISTOR 1.96K +-1% .063W TKF TC=0+-200	28480	0699-3954
R334	0699-3954	1	RESISTOR 1.96K +-1% .063W TKF TC=0+-200	28480	0699-3954
R335	0699-3954	1	RESISTOR 1.96K +-1% .063W TKF TC=0+-200	28480	0699-3954
R336	0699-1432	1	RESISTOR 511 +-1% .125W TKF TC=0+-100	28480	0699-1432

**HP Part Number 08713-60004
Source (8713B/14B) (continued)**

Reference Designator	HP Part Number	Qty	Description	Mfr Code	Mfr Part Number
R340	0699-1432	1	RESISTOR 511 +-1% .125W TKF TC=0+-100	28480	0699-1432
R342	0699-1432	1	RESISTOR 511 +-1% .125W TKF TC=0+-100	28480	0699-1432
R345	0699-1362	1	RESISTOR 56.2 +-1% .125W TKF TC=0+-100	28480	0699-1362
R346	0699-1362	1	RESISTOR 56.2 +-1% .125W TKF TC=0+-100	28480	0699-1362
R349	0699-1432	1	RESISTOR 511 +-1% .125W TKF TC=0+-100	28480	0699-1432
R350	0699-1420	1	RESISTOR 162 +-1% .125W TKF TC=0+-100	28480	0699-1420
R351	0699-1420	1	RESISTOR 162 +-1% .125W TKF TC=0+-100	28480	0699-1420
R352	0699-3964	1	RESISTOR 5.11K +-1% .063W TKF TC=0+-200	28480	0699-3964
R353	0699-3954	1	RESISTOR 1.96K +-1% .063W TKF TC=0+-200	28480	0699-3954
R360	0699-1422	1	RESISTOR 196 +-1% .125W TKF TC=0+-100	28480	0699-1422
R361	0699-1422	1	RESISTOR 196 +-1% .125W TKF TC=0+-100	28480	0699-1422
R362	0699-1391	1	RESISTOR 10K +-1% .125W TKF TC=0+-100	28480	0699-1391
R363	0699-1385	1	RESISTOR 5.11K +-1% .125W TKF TC=0+-100	28480	0699-1385
R364	0699-1375	1	RESISTOR 1.96K +-1% .125W TKF TC=0+-100	28480	0699-1375
R370	0699-1385	1	RESISTOR 5.11K +-1% .125W TKF TC=0+-100	28480	0699-1385
R371	0699-1385	1	RESISTOR 5.11K +-1% .125W TKF TC=0+-100	28480	0699-1385
R372	0699-1391	1	RESISTOR 10K +-1% .125W TKF TC=0+-100	28480	0699-1391
R373	0699-1415	1	RESISTOR 100 +-1% .125W TKF TC=0+-100	28480	0699-1415
R374	0699-1415	1	RESISTOR 100 +-1% .125W TKF TC=0+-100	28480	0699-1415
R375	0699-1391	1	RESISTOR 10K +-1% .125W TKF TC=0+-100	28480	0699-1391
R376	0699-1427	1	RESISTOR 316 +-1% .125W TKF TC=0+-100	28480	0699-1427
R377	0699-1443	1	RESISTOR 147K +-1% .125W TKF TC=0+-100	28480	0699-1443
R400	0699-1350	1	RESISTOR 17.8 +-1% .125W TKF TC=0+-100	28480	0699-1350
R401	0699-1350	1	RESISTOR 17.8 +-1% .125W TKF TC=0+-100	28480	0699-1350
R402	0699-1350	1	RESISTOR 17.8 +-1% .125W TKF TC=0+-100	28480	0699-1350
R403	0699-1375	1	RESISTOR 1.96K +-1% .125W TKF TC=0+-100	28480	0699-1375
R404	0699-1415	1	RESISTOR 100 +-1% .125W TKF TC=0+-100	28480	0699-1415
R405	0699-1362	1	RESISTOR 56.2 +-1% .125W TKF TC=0+-100	28480	0699-1362
R406	0699-3932	1	RESISTOR 215 +-1% .063W TKF TC=0+-200	28480	0699-3932
R407	0699-1425	1	RESISTOR 261 +-1% .125W TKF TC=0+-100	28480	0699-1425
R450	0699-1375	1	RESISTOR 1.96K +-1% .125W TKF TC=0+-100	28480	0699-1375
R451	0699-1375	1	RESISTOR 1.96K +-1% .125W TKF TC=0+-100	28480	0699-1375
R454	0699-1375	1	RESISTOR 1.96K +-1% .125W TKF TC=0+-100	28480	0699-1375
R455	0699-1375	1	RESISTOR 1.96K +-1% .125W TKF TC=0+-100	28480	0699-1375
R456	0699-3902	1	RESISTOR 11 +-1% .063W TKF TC=0+-200	28480	0699-3902

**Indicates factory-selected value*

HP Part Number 08713-60004
Source (8713B/14B) (continued)

Reference Designator	HP Part Number	Qty	Description	Mfr Code	Mfr Part Number
R457	0699-3902	1	RESISTOR 11 +-1% .063W TKF TC=0+-200	28480	0699-3902
R458	0699-1436	1	RESISTOR 750 +-1% .125W TKF TC=0+-100	28480	0699-1436
R459	0699-3924	1	RESISTOR 100 +-1% .063W TKF TC=0+-200	28480	0699-3924
R460	0699-1432	1	RESISTOR 511 +-1% .125W TKF TC=0+-100	28480	0699-1432
R461	0699-1422	1	RESISTOR 196 +-1% .125W TKF TC=0+-100	28480	0699-1422
R462	0699-1422	1	RESISTOR 196 +-1% .125W TKF TC=0+-100	28480	0699-1422
R463	0699-3964	1	RESISTOR 5.11K +-1% .063W TKF TC=0+-200	28480	0699-3964
R464	0699-3954	1	RESISTOR 1.96K +-1% .063W TKF TC=0+-200	28480	0699-3954
R474	0699-1362	1	RESISTOR 56.2 +-1% .125W TKF TC=0+-100	28480	0699-1362
R475	0699-1362	1	RESISTOR 56.2 +-1% .125W TKF TC=0+-100	28480	0699-1362
R484	0699-1432	1	RESISTOR 511 +-1% .125W TKF TC=0+-100	28480	0699-1432
R521	0699-1432	1	RESISTOR 511 +-1% .125W TKF TC=0+-100	28480	0699-1432
R522	0699-1391	1	RESISTOR 10K +-1% .125W TKF TC=0+-100	28480	0699-1391
R523	0699-1391	1	RESISTOR 10K +-1% .125W TKF TC=0+-100	28480	0699-1391
R524	0699-1320	1	RESISTOR 19.6K +-1% .125W TKF TC=0+-100	28480	0699-1320
R525	0699-1320	1	RESISTOR 19.6K +-1% .125W TKF TC=0+-100	28480	0699-1320
R526	0699-1318	1	RESISTOR 1K +-1% .125W TKF TC=0+-100	28480	0699-1318
R527	0699-1385	1	RESISTOR 5.11K +-1% .125W TKF TC=0+-100	28480	0699-1385
R528	0699-1375	1	RESISTOR 1.96K +-1% .125W TKF TC=0+-100	28480	0699-1375
R530	0699-1362	1	RESISTOR 56.2 +-1% .125W TKF TC=0+-100	28480	0699-1362
R531	0699-1318	1	RESISTOR 1K +-1% .125W TKF TC=0+-100	28480	0699-1318
R532	0699-1386	1	RESISTOR 5.62K +-1% .125W TKF TC=0+-100	28480	0699-1386
R540	0698-3605	1	RESISTOR 15 +-5% 2W MO TC=0+-200	28480	0698-3605
R541	0698-3605	1	RESISTOR 15 +-5% 2W MO TC=0+-200	28480	0698-3605
R542	0699-1391	1	RESISTOR 10K +-1% .125W TKF TC=0+-100	28480	0699-1391
R543	0699-1425	1	RESISTOR 261 +-1% .125W TKF TC=0+-100	28480	0699-1425
R544	0699-1372	1	RESISTOR 1.47K +-1% .125W TKF TC=0+-100	28480	0699-1372
R545	0699-1435	1	RESISTOR 681 +-1% .125W TKF TC=0+-100	28480	0699-1435
R546	0699-1369	1	RESISTOR 1.1K +-1% .125W TKF TC=0+-100	28480	0699-1369
R548	0699-1318	1	RESISTOR 1K +-1% .125W TKF TC=0+-100	28480	0699-1318
R549	0699-1329	1	RESISTOR 6.19K +-1% .125W TKF TC=0+-100	28480	0699-1329
R550	0699-1318	1	RESISTOR 1K +-1% .125W TKF TC=0+-100	28480	0699-1318
R551	0699-1318	1	RESISTOR 1K +-1% .125W TKF TC=0+-100	28480	0699-1318
R552	0764-0033	1	RESISTOR 33 +-5% 2W MO TC=0+-200	28480	0764-0033
R553	0699-1432	1	RESISTOR 511 +-1% .125W TKF TC=0+-100	28480	0699-1432

**HP Part Number 08713-60004
Source (8713B/14B) (continued)**

Reference Designator	HP Part Number	Qty	Description	Mfr Code	Mfr Part Number
R600	0699-1427	1	RESISTOR 316 +-1% .125W TKF TC=0+-100	28480	0699-1427
R601	0699-1427	1	RESISTOR 316 +-1% .125W TKF TC=0+-100	28480	0699-1427
R602	0699-1427	1	RESISTOR 316 +-1% .125W TKF TC=0+-100	28480	0699-1427
R603	0699-1427	1	RESISTOR 316 +-1% .125W TKF TC=0+-100	28480	0699-1427
R604	0699-3947	1	RESISTOR 1K +-1% .063W TKF TC=0+-200	28480	0699-3947
R607	0699-3947	1	RESISTOR 1K +-1% .063W TKF TC=0+-200	28480	0699-3947
R608	0699-3947	1	RESISTOR 1K +-1% .063W TKF TC=0+-200	28480	0699-3947
R610	0699-3947	1	RESISTOR 1K +-1% .063W TKF TC=0+-200	28480	0699-3947
R612	0699-3954	1	RESISTOR 1.96K +-1% .063W TKF TC=0+-200	28480	0699-3954
R613	0699-3947	1	RESISTOR 1K +-1% .063W TKF TC=0+-200	28480	0699-3947
R614	0699-3964	1	RESISTOR 5.11K +-1% .063W TKF TC=0+-200	28480	0699-3964
R617	0699-3970	1	RESISTOR 10K +-1% .063W TKF TC=0+-200	28480	0699-3970
R618	0699-3939	1	RESISTOR 422 +-1% .063W TKF TC=0+-200	28480	0699-3939
R619	0699-3939	1	RESISTOR 422 +-1% .063W TKF TC=0+-200	28480	0699-3939
R620	0699-1365	1	RESISTOR 75 +-1% .125W TKF TC=0+-100	28480	0699-1365
R621	0699-1365	1	RESISTOR 75 +-1% .125W TKF TC=0+-100	28480	0699-1365
R622	0699-1365	1	RESISTOR 75 +-1% .125W TKF TC=0+-100	28480	0699-1365
R623	0699-3964	1	RESISTOR 5.11K +-1% .063W TKF TC=0+-200	28480	0699-3964
R624	0699-3970	1	RESISTOR 10K +-1% .063W TKF TC=0+-200	28480	0699-3970
R626	0699-3954	1	RESISTOR 1.96K +-1% .063W TKF TC=0+-200	28480	0699-3954
R627	0699-3924	1	RESISTOR 100 +-1% .063W TKF TC=0+-200	28480	0699-3924
R628	0699-3924	1	RESISTOR 100 +-1% .063W TKF TC=0+-200	28480	0699-3924
R629	0699-3964	1	RESISTOR 5.11K +-1% .063W TKF TC=0+-200	28480	0699-3964
R630	0699-1415	1	RESISTOR 100 +-1% .125W TKF TC=0+-100	28480	0699-1415
R631	0699-1365	1	RESISTOR 75 +-1% .125W TKF TC=0+-100	28480	0699-1365
R632	0699-3934	1	RESISTOR 261 +-1% .063W TKF TC=0+-200	28480	0699-3934
R640	0699-3947	1	RESISTOR 1K +-1% .063W TKF TC=0+-200	28480	0699-3947
R641	0699-3947	1	RESISTOR 1K +-1% .063W TKF TC=0+-200	28480	0699-3947
R642	0699-3947	1	RESISTOR 1K +-1% .063W TKF TC=0+-200	28480	0699-3947
R643	0699-3947	1	RESISTOR 1K +-1% .063W TKF TC=0+-200	28480	0699-3947
R644	0699-3947	1	RESISTOR 1K +-1% .063W TKF TC=0+-200	28480	0699-3947
R645	0699-1367	1	RESISTOR 90.9 +-1% .125W TKF TC=0+-100	28480	0699-1367
R900	0699-3943	1	RESISTOR 681 +-1% .063W TKF TC=0+-200	28480	0699-3943
R905	0699-1415	1	RESISTOR 100 +-1% .125W TKF TC=0+-100	28480	0699-1415
R906	0699-1415	1	RESISTOR 100 +-1% .125W TKF TC=0+-100	28480	0699-1415

**Indicates factory-selected value*

HP Part Number 08713-60004
Source (8713B/14B) (continued)

Reference Designator	HP Part Number	Qty	Description	Mfr Code	Mfr Part Number
RT1	0837-0461	1	THERMISTOR RECT 1K-OHM TC=+.79%/C-DEG	06337	KTY82/110
TP1	1251-0600	1	CONNECTOR-SGL CONT PIN 1.14-MM-BSC-SZ SQ	01136	928-196-004140
TP2	1251-0600	1	CONNECTOR-SGL CONT PIN 1.14-MM-BSC-SZ SQ	01136	928-196-004140
TP3	1251-0600	1	CONNECTOR-SGL CONT PIN 1.14-MM-BSC-SZ SQ	01136	928-196-004140
TP4	1251-0600	1	CONNECTOR-SGL CONT PIN 1.14-MM-BSC-SZ SQ	01136	928-196-004140
TP5	1251-0600	1	CONNECTOR-SGL CONT PIN 1.14-MM-BSC-SZ SQ	01136	928-196-004140
TP7	1251-0600	1	CONNECTOR-SGL CONT PIN 1.14-MM-BSC-SZ SQ	01136	928-196-004140
TP8	1251-0600	1	CONNECTOR-SGL CONT PIN 1.14-MM-BSC-SZ SQ	01136	928-196-004140
TP9	1251-0600	1	CONNECTOR-SGL CONT PIN 1.14-MM-BSC-SZ SQ	01136	928-196-004140
TP10	1251-0600	1	CONNECTOR-SGL CONT PIN 1.14-MM-BSC-SZ SQ	01136	928-196-004140
TP11	1251-0600	1	CONNECTOR-SGL CONT PIN 1.14-MM-BSC-SZ SQ	01136	928-196-004140
TP12	1251-0600	1	CONNECTOR-SGL CONT PIN 1.14-MM-BSC-SZ SQ	01136	928-196-004140
TP14	1251-0600	1	CONNECTOR-SGL CONT PIN 1.14-MM-BSC-SZ SQ	01136	928-196-004140
TP15	1251-0600	1	CONNECTOR-SGL CONT PIN 1.14-MM-BSC-SZ SQ	01136	928-196-004140
TP19	1251-0600	1	CONNECTOR-SGL CONT PIN 1.14-MM-BSC-SZ SQ	01136	928-196-004140
TP21	1251-0600	1	CONNECTOR-SGL CONT PIN 1.14-MM-BSC-SZ SQ	01136	928-196-004140
TP22	1251-0600	1	CONNECTOR-SGL CONT PIN 1.14-MM-BSC-SZ SQ	01136	928-196-004140
TP23	1251-0600	1	CONNECTOR-SGL CONT PIN 1.14-MM-BSC-SZ SQ	01136	928-196-004140
U1	1826-2965	1	IC RF/IF AMPL SINGLE 4 PIN U-WAVE-PILL	28480	1826-2965
U2	1826-2965	1	IC RF/IF AMPL SINGLE 4 PIN U-WAVE-PILL	28480	1826-2965
U3	1826-2965	1	IC RF/IF AMPL SINGLE 4 PIN U-WAVE-PILL	28480	1826-2965
U4	1826-2496	1	IC RF/IF AMPL GP 4 PIN U-WAVE-PILL	28480	1826-2496
U5	1826-2496	1	IC RF/IF AMPL GP 4 PIN U-WAVE-PILL	28480	1826-2496
U6	1820-5605	1	IC GATE ECL/10KH NOR QUAD 2-INP	28480	1820-5605
U7	1820-5609	1	IC CNTR ECL/10KH HEXADEC SYNCHRO	28480	1820-5609
U8	0955-0734	1	VOLTAGE CONTROLLED OSC FREQ: 2250 TO	03291	VO92-1281
U9	1826-1810	1	IC OP AMP LOW-BIAS-H-IMPD SINGLE 8 PIN	28480	1826-1810
U10	1820-5629	1	IC FF ECL/10KH D-M/S POS-EDGE-TRIG	28480	1820-5629
U11	1826-2987	1	IC OP AMP LOW-NOISE DUAL 8 PIN	28480	1826-2987
U13	1820-7311	1	IC PRESCR ECL	28480	1820-7311
U14	1821-1410	1	IC PRESCR ECL DIV-X-4 BFR	28480	1821-1410
U15	1826-2175	1	IC RF/IF AMPL SINGLE 4 PIN U-WAVE-PILL	28480	1826-2175
U16	1826-1991	1	IC OP AMP HS SINGLE 8 PIN PLSTC-SOIC	28480	1826-1991
U21	0955-0748	1	U-WAVE MIXER 4.17 GHZ MAX	02739	ROK-4300-LH-1
U22	1826-0393	1	IC PWR MGT-V-REG-ADJ-POS 1.2/37V 3 PINS	28480	1826-0393

**HP Part Number 08713-60004
Source (8713B/14B) (continued)**

Reference Designator	HP Part Number	Qty	Description	Mfr Code	Mfr Part Number
U23	1813-0825	1	U-WAVE 2.4 GHZ MAX	03291	VO90-3177
U24	1820-6957	1	IC PRESCR ECL	28480	1820-6957
U25	1820-7311	1	IC PRESCR ECL	28480	1820-7311
U29	1820-5945	1	IC GATE CMOS/AC NAND QUAD 2-INP	28480	1820-5945
U30	1820-5937	1	IC FF CMOS/AC D-TYPE POS-EDGE-TRIG	28480	1820-5937
U31	1820-7246	1	IC CNTR CMOS/AC BIN SYNC/ASYN	28480	1820-7246
U32	1820-7246	1	IC CNTR CMOS/AC BIN SYNC/ASYN	28480	1820-7246
U33	1820-5937	1	IC FF CMOS/AC D-TYPE POS-EDGE-TRIG	28480	1820-5937
U34	1820-5937	1	IC FF CMOS/AC D-TYPE POS-EDGE-TRIG	28480	1820-5937
U35	1820-6391	1	IC GATE CMOS/AC EXCL-OR QUAD 2-INP	28480	1820-6391
U37	1820-5937	1	IC FF CMOS/AC D-TYPE POS-EDGE-TRIG	28480	1820-5937
U38	1826-1862	1	IC OP AMP LOW-BIAS-H-IMP DUAL 8 PIN	28480	1826-1862
U39	1826-1912	1	IC OP AMP H-SLEW-RATE DUAL 8 PIN	28480	1826-1912
U40	1826-1925	1	IC OP AMP LOW-NOISE SINGLE 8 PIN	28480	1826-1925
U41	1826-1912	1	IC OP AMP H-SLEW-RATE DUAL 8 PIN	28480	1826-1912
U42	1813-0825	1	U-WAVE 2.4 GHZ MAX	03291	VO90-3177
U43	1820-7246	1	IC CNTR CMOS/AC BIN SYNC/ASYN	28480	1820-7246
U44	1826-1862	1	IC OP AMP LOW-BIAS-H-IMP DUAL 8 PIN	28480	1826-1862
U45	1820-7246	1	IC CNTR CMOS/AC BIN SYNC/ASYN	28480	1820-7246
U46	1820-5937	1	IC FF CMOS/AC D-TYPE POS-EDGE-TRIG	28480	1820-5937
U47	1820-5937	1	IC FF CMOS/AC D-TYPE POS-EDGE-TRIG	28480	1820-5937
U48	1820-5945	1	IC GATE CMOS/AC NAND QUAD 2-INP	28480	1820-5945
U49	1820-6957	1	IC PRESCR ECL	28480	1820-6957
U50	1820-7311	1	IC PRESCR ECL	28480	1820-7311
U51	1826-0221	1	IC PWR MGT-V-REG-FXD-NEG -11.5/-12.5V	28480	1826-0221
U52	1826-0393	1	IC PWR MGT-V-REG-ADJ-POS 1.2/37V 3 PINS	28480	1826-0393
U53	1821-0919	1	IC DIVR ECL/10E DIV-X-2	28480	1821-0919
U54	1820-6158	1	IC CNTR TTL/F BIN SYNCHRO POS-EDGE-TRIG	28480	1820-6158
U55	1820-5938	1	IC GATE CMOS/ACT NAND QUAD 2-INP	28480	1820-5938
U56	1820-6391	1	IC GATE CMOS/AC EXCL-OR QUAD 2-INP	28480	1820-6391
U57	1821-0919	1	IC DIVR ECL/10E DIV-X-2	28480	1821-0919
U58	1826-2175	1	IC RF/IF AMPL SINGLE 4 PIN U-WAVE-PILL	28480	1826-2175
U59	1826-2147	1	ANALOG MULTIPLEXER 8 CHNL 16 -P-SOIC	28480	1826-2147
U60	1826-2404	1	D/A 12-BIT 20-PLCC CMOS	28480	1826-2404
U61	1826-1646	1	IC PWR MGT-V-REG-FXD-POS 4.975/5.025V	28480	1826-1646

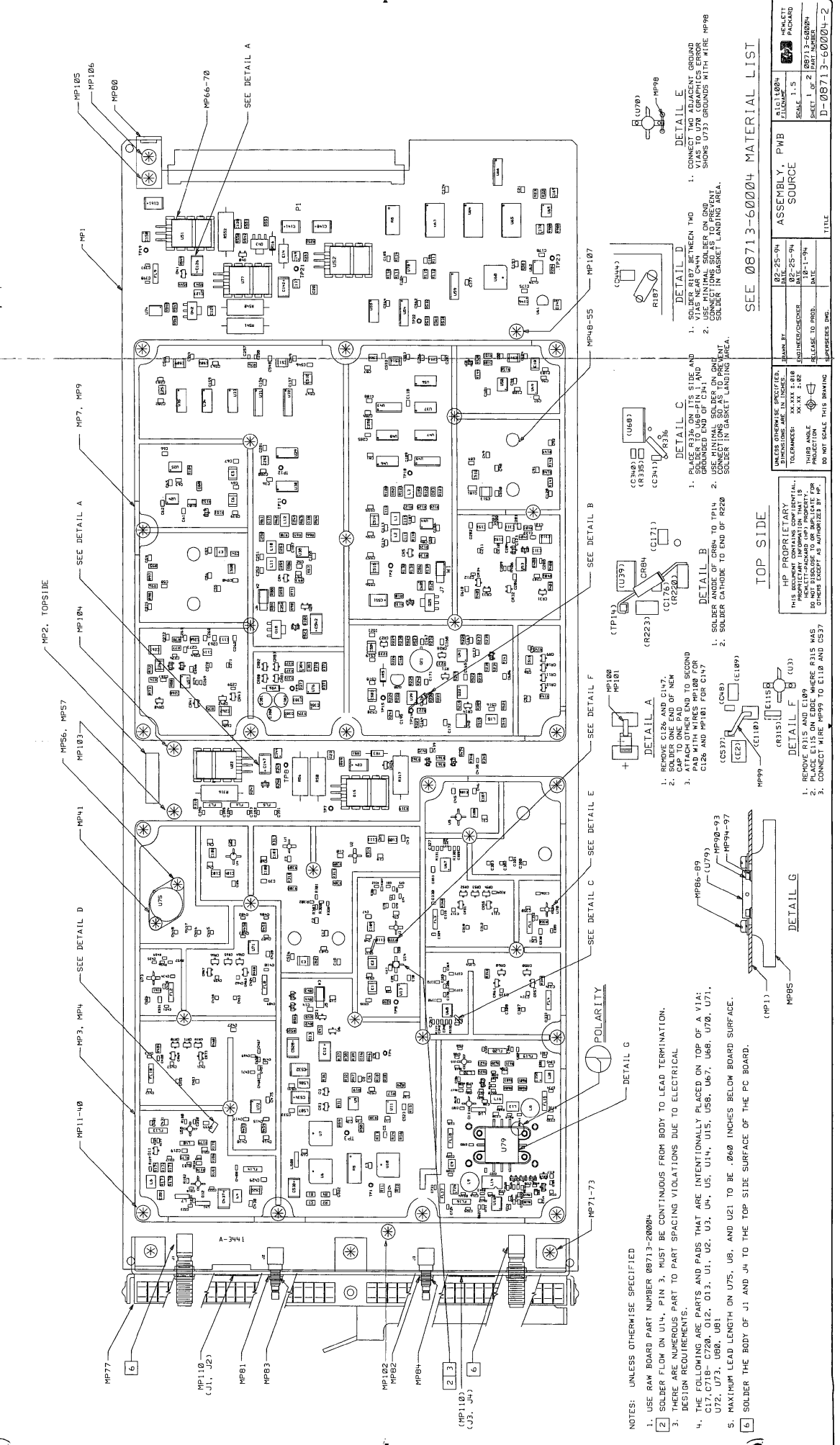
**Indicates factory-selected value*

**HP Part Number 08713-60004
Source (8713B/14B) (continued)**

Reference Designator	HP Part Number	Qty	Description	Mfr Code	Mfr Part Number
U62	1826-1912	1	IC OP AMP H-SLEW-RATE DUAL 8 PIN	28480	1826-1912
U63	1820-5732	1	IC LCH CMOS/HC D-TYPE OCTL	28480	1820-5732
U64	1820-5808	1	IC FF CMOS/HC D-TYPE POS-EDGE-TRIG COM	28480	1820-5808
U65	1820-5808	1	IC FF CMOS/HC D-TYPE POS-EDGE-TRIG COM	28480	1820-5808
U66	1820-4215	1	IC DCDR-DEMUXR CMOS/HC BIN 3-TO-8-LINE	28480	1820-4215
U67	1826-2569	1	MICROWAVE SWITCH SPDT 8 -P-SOIC	28480	1826-2569
U68	1826-2569	1	MICROWAVE SWITCH SPDT 8 -P-SOIC	28480	1826-2569
U69	1826-1912	1	IC OP AMP H-SLEW-RATE DUAL 8 PIN	28480	1826-1912
U70	1826-2965	1	IC RF/IF AMPL SINGLE 4 PIN U-WAVE-PILL	28480	1826-2965
U71	1826-2569	1	MICROWAVE SWITCH SPDT 8 -P-SOIC	28480	1826-2569
U72	1826-2569	1	MICROWAVE SWITCH SPDT 8 -P-SOIC	28480	1826-2569
U73	1826-2965	1	IC RF/IF AMPL SINGLE 4 PIN U-WAVE-PILL	28480	1826-2965
U74	1826-1601	1	IC PWR MGT-V-REF-ADJ 2.5/36V 8 PINS	28480	1826-1601
U75	0955-0748	1	U-WAVE MIXER 4.17 GHZ MAX	02739	ROK-4300-LH-1
U76	1826-1912	1	IC OP AMP H-SLEW-RATE DUAL 8 PIN	28480	1826-1912
U77	1826-0393	1	IC PWR MGT-V-REG-ADJ-POS 1.2/37V 3 PINS	28480	1826-0393
U78	1826-1572	1	IC COMPARATOR PRCN DUAL 8 PIN PLSTC-SOIC	28480	1826-1572
U79	1GG3-4202	1	TC-525 MEGAPAK	28480	1GG3-4202
U80	1826-2175	1	IC RF/IF AMPL SINGLE 4 PIN U-WAVE-PILL	28480	1826-2175
U81	1826-2175	1	IC RF/IF AMPL SINGLE 4 PIN U-WAVE-PILL	28480	1826-2175
VR3	1902-0953	1	DIODE-ZNR 6.2V 5% DO-35 PD=.4W TC=+.053%	28480	1902-0953
VR5	1902-0958	1	DIODE-ZNR 10V 5% DO-35 PD=.4W TC=+.075%	28480	1902-0958
VR6	1902-0966	1	DIODE-ZNR 22V 5% DO-35 PD=.4W TC=+.093%	28480	1902-0966
VR16	1902-0952	1	DIODE-ZNR 5.6V 5% DO-35 PD=.4W TC=+.046%	28480	1902-0952
W1	1258-0141	1	JUMPER-REMOVABLE FOR 0.025 IN SQ PINS	01380	530153-2
W2	1258-0141	1	JUMPER-REMOVABLE FOR 0.025 IN SQ PINS	01380	530153-2
W3	1258-0141	1	JUMPER-REMOVABLE FOR 0.025 IN SQ PINS	01380	530153-2

REV	DATE	REVISIONS	APPROVED
1	10-01-84	AS ISSUED	
2	11-22-84	CHANGE PER LON #81	
3	03-28-85	CHANGED PER PCD 13-80747/GH	

DATE	BY	DESCRIPTION
02-25-94		ASSEMBLY, PWB SOURCE
02-25-94		SCALE 1:1.5
10-11-94		RELEASE TO PRB.



- NOTES: UNLESS OTHERWISE SPECIFIED
- USE RAW BOARD PART NUMBER 08713-20004
 - SOLDER FLOW ON U14, P14, MUST BE CONTINUOUS FROM BODY TO LEAD TERMINATION.
 - HERE ARE NUMEROUS PART TO PART SPACING VIOLATIONS DUE TO ELECTRICAL DESIGN REQUIREMENTS.
 - THE FOLLOWING ARE PARTS AND PADS THAT ARE INTENTIONALLY PLACED ON TOP OF A VIA: U72, U73, U80, U81
 - MAXIMUM LEAD LENGTH ON U75, U8, AND U21 TO BE .060 INCHES BELOW BOARD SURFACE.
 - SOLDER THE BODY OF J1 AND J4 TO THE TOP SIDE SURFACE OF THE PC BOARD.

- DETAIL A
- REMOVE U158 AND U199
 - REMOVE R315 AND R146
 - CONNECT WIRE MP99 TO E119 AND CS37
- DETAIL B
- SOLDER ANODE OF CR94 TO TP14
 - SOLDER CATHODE TO END OF R220
- DETAIL C
- PLACE R316 ON ITS SIDE AND GROUNDED END OF C141
 - USE MINIMAL SOLDER ON GROUND END OF C141
 - USE MINIMAL SOLDER ON GROUND END OF C141
 - SOLDER IN GASKET LANDING AREA.
- DETAIL D
- SOLDER R187 BETWEEN THE CONNECT TWO ADJACENT GROUNDS
 - USE MINIMAL SOLDER ON END SHOWS U73 GROUNDS WITH WIRE MP98
 - SOLDER IN GASKET LANDING AREA.
- DETAIL E
- DETAIL F
- REMOVE U158 AND U199
 - SOLDER ONE END OF NEW CAP TO ONE PAD ON BOARD
 - PAID WITH WIRE MP108 FOR C126 AND MP181 FOR C147
- DETAIL G
- POLARITY

SEE 08713-60004 MATERIAL LIST

DATE	BY	DESCRIPTION
02-25-94		ASSEMBLY, PWB SOURCE
02-25-94		SCALE 1:1.5
10-11-94		RELEASE TO PRB.

THIS DOCUMENT CONTAINS CONFIDENTIAL, PROPRIETARY INFORMATION OF HP. IT IS THE PROPERTY OF HP AND IS NOT TO BE REPRODUCED OR DISSEMINATED IN ANY MANNER WITHOUT THE EXPRESS WRITTEN PERMISSION OF HP.

HP PROPRIETARY

TOP SIDE

ASSEMBLY, PWB SOURCE

DATE: 02-25-94

SCALE: 1:1.5

RELEASE TO PRB: 10-11-94

BY: [Signature]

DATE: 02-25-94

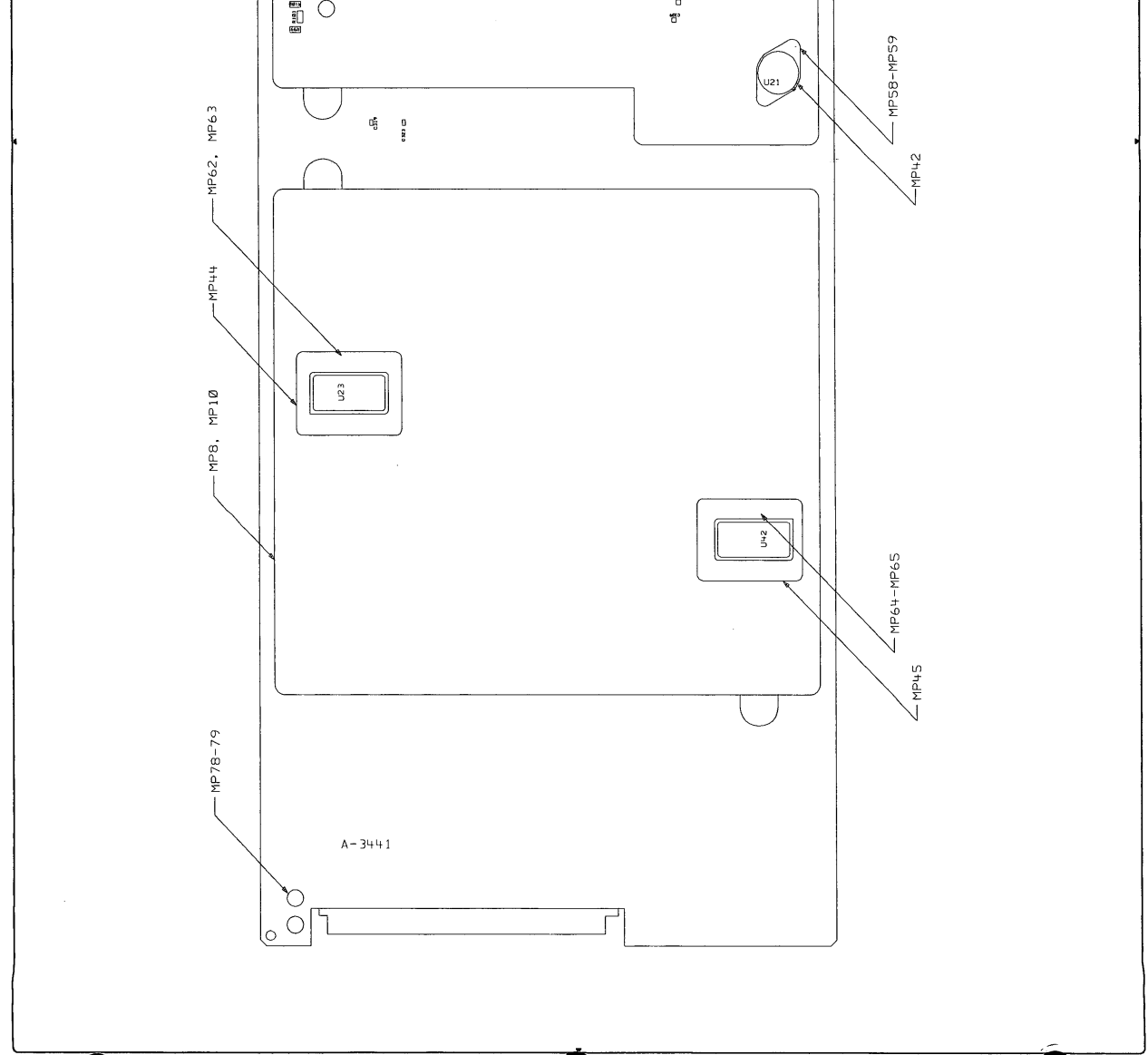
SCALE: 1:1.5

RELEASE TO PRB: 10-11-94

BY: [Signature]

REVISED		REVISED	
DATE	BY	DATE	BY
10-01-94	ZAE	10-01-94	ZAE
10-28-94	ZAE	10-28-94	ZAE
11-25-94	ZAE	11-25-94	ZAE
03-28-95	ZAE	03-28-95	ZAE

D-08713-60004-2	
DATE	DESCRIPTION
10-01-94	AS ISSUED
10-28-94	CHANGES PER LCN 74
11-25-94	CHANGES PER LCN 80
03-28-95	CHANGES PER POC S3-08747 /ZB



D-08713-60004-2	
DATE	DESCRIPTION
10-01-94	AS ISSUED
10-28-94	CHANGES PER LCN 74
11-25-94	CHANGES PER LCN 80
03-28-95	CHANGES PER POC S3-08747 /ZB

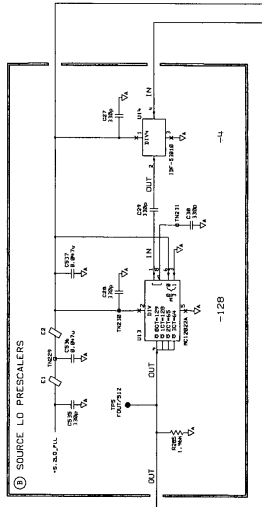
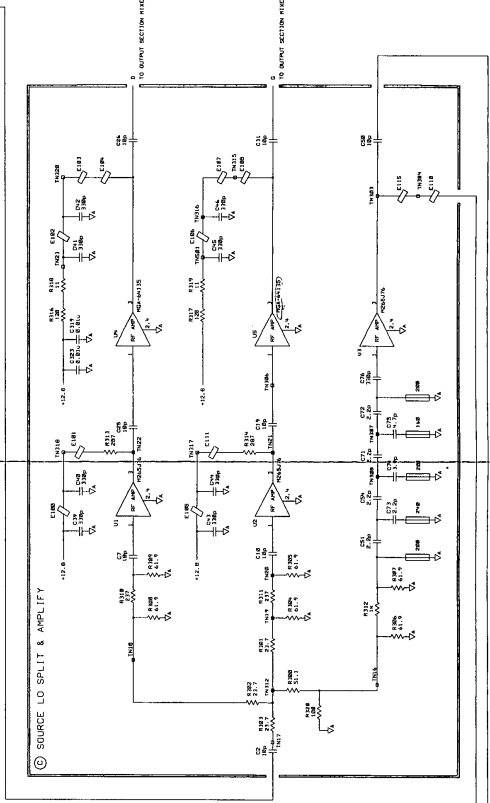
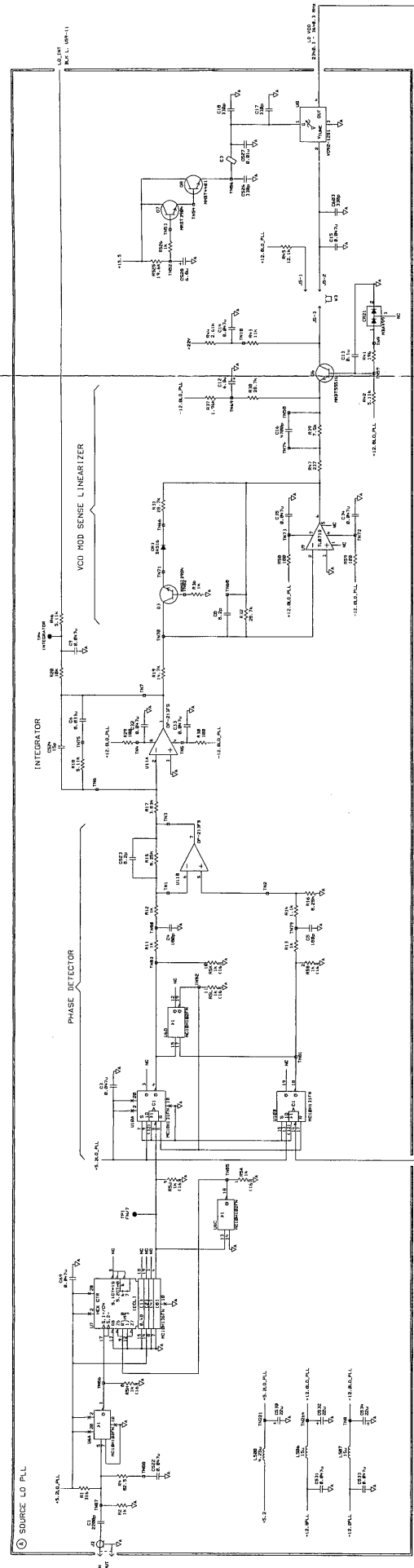
D-08713-60004-2	
DATE	DESCRIPTION
10-01-94	AS ISSUED
10-28-94	CHANGES PER LCN 74
11-25-94	CHANGES PER LCN 80
03-28-95	CHANGES PER POC S3-08747 /ZB

D-08713-60004-2	
DATE	DESCRIPTION
10-01-94	AS ISSUED
10-28-94	CHANGES PER LCN 74
11-25-94	CHANGES PER LCN 80
03-28-95	CHANGES PER POC S3-08747 /ZB

HP PROPRIETARY
 THIS DOCUMENT CONTAINS CONFIDENTIAL INFORMATION.
 THIS DOCUMENT IS THE PROPERTY OF HEWLETT-PACKARD AND IS TO BE USED ONLY BY THOSE INDIVIDUALS AUTHORIZED BY HP.

HP PROPRIETARY
 THIS DOCUMENT CONTAINS CONFIDENTIAL INFORMATION.
 THIS DOCUMENT IS THE PROPERTY OF HEWLETT-PACKARD AND IS TO BE USED ONLY BY THOSE INDIVIDUALS AUTHORIZED BY HP.

5300 FA 3141
 D-08713-60004-1
 REVISIONS
 1 REVISED (REWORK) PCD 3-2-69/7
 2 REVISED (REWORK) PCD 3-2-69/7
 3 REVISED (REWORK) PCD 3-2-69/7
 APPROVED _____ DATE _____
 _____ DATE _____
 _____ DATE _____



HP PROPRIETARY
 THIS DOCUMENT CONTAINS PROPRIETARY INFORMATION THAT IS UNCLASSIFIED BUT WHICH IS NOT TO BE RELEASED OR DISCLOSED TO OTHERS EXCEPT AS AUTHORIZED BY HP.

DRAWN BY _____ DATE _____
 ENGINEER/CHECKER _____ DATE _____
 RELEASE TO PROD. _____ DATE _____
 SUPERVISOR/ENG. _____

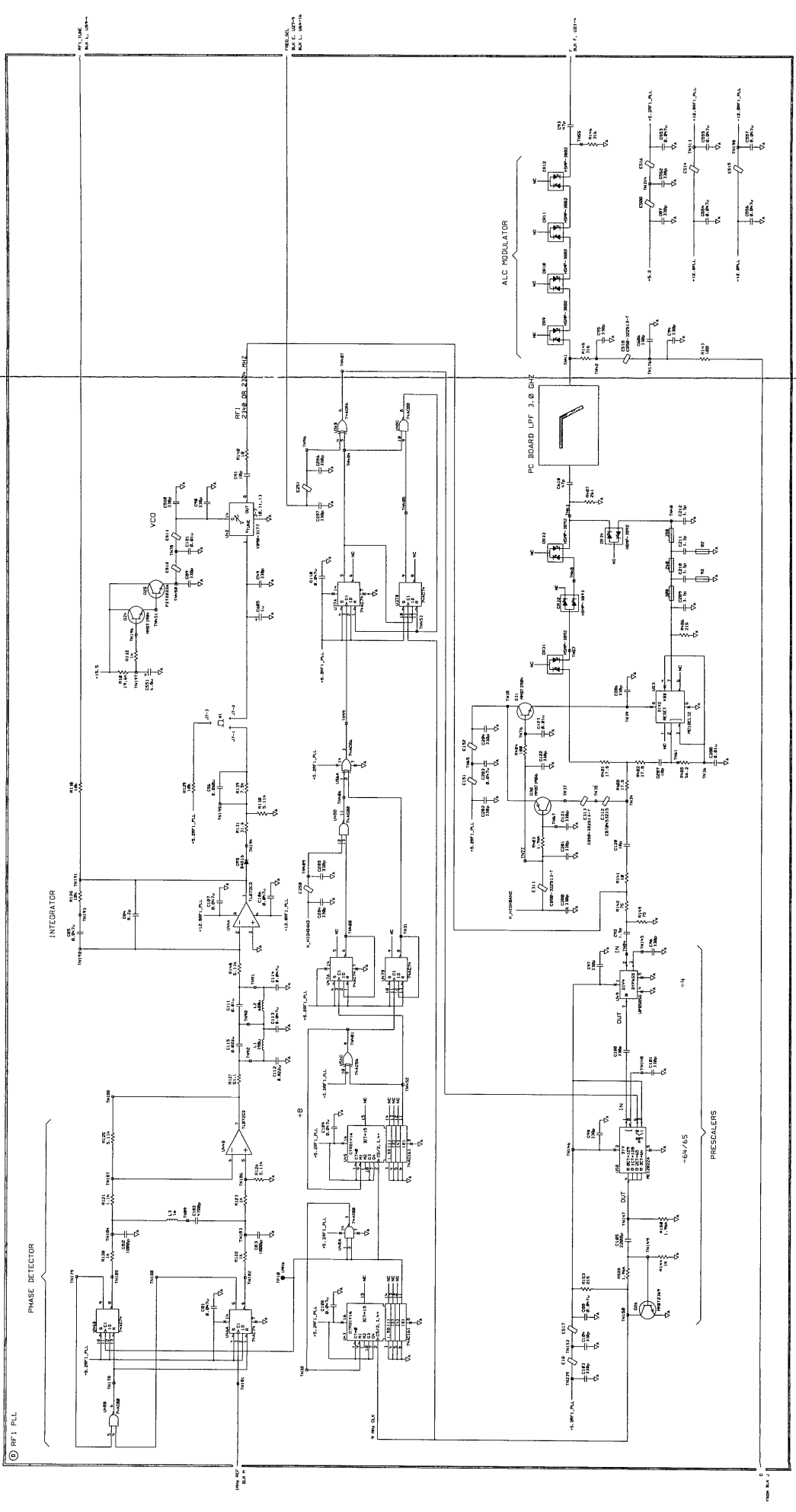
SCHEMATIC, PWA
 SOURCE

SHEET 1 OF 5
 08713-60004

HICKLET
 PAGER
 08713-60004-1

TITLE

S 300 FA 3441 REVISIONS
 DATE DATE
 D REVISED (REDRAWN) PER 53-88747 05-27-95
 E REVISED PER 53-89856 /OH 07-21-95
 APPROVED

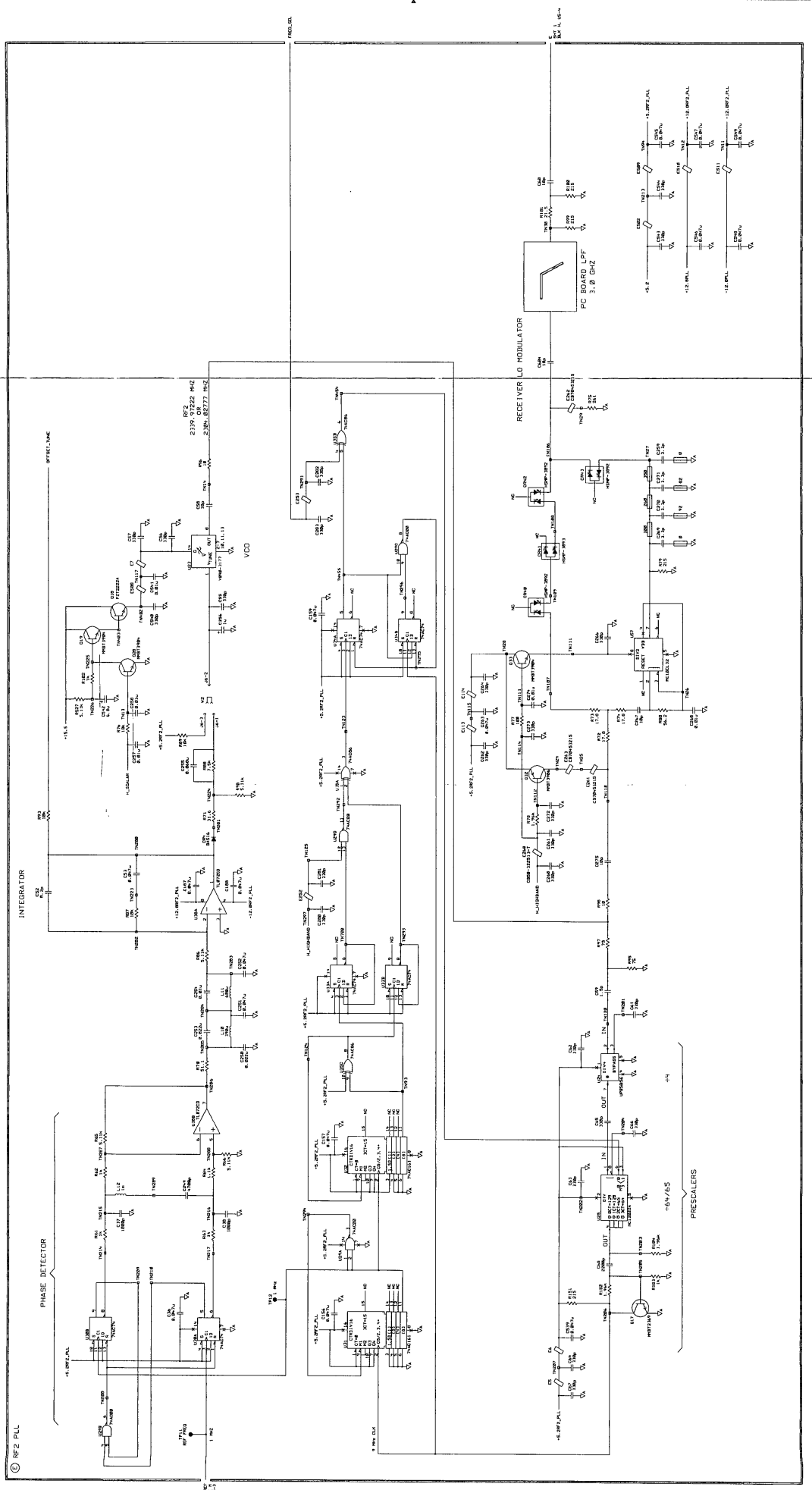


HP PROPRIETARY
 THIS DOCUMENT CONTAINS CONFIDENTIAL
 INFORMATION AND IS THE PROPERTY OF HP.
 IT IS TO BE KEPT UNCLASSIFIED FOR
 RELEASE TO THE PUBLIC EXCEPT AS AUTHORIZED BY HP.
 SUPPLIERS INC.

DRAWN BY: DATE: ENGINEER/CHECKER: DATE: SUPPLIERS INC. DATE:

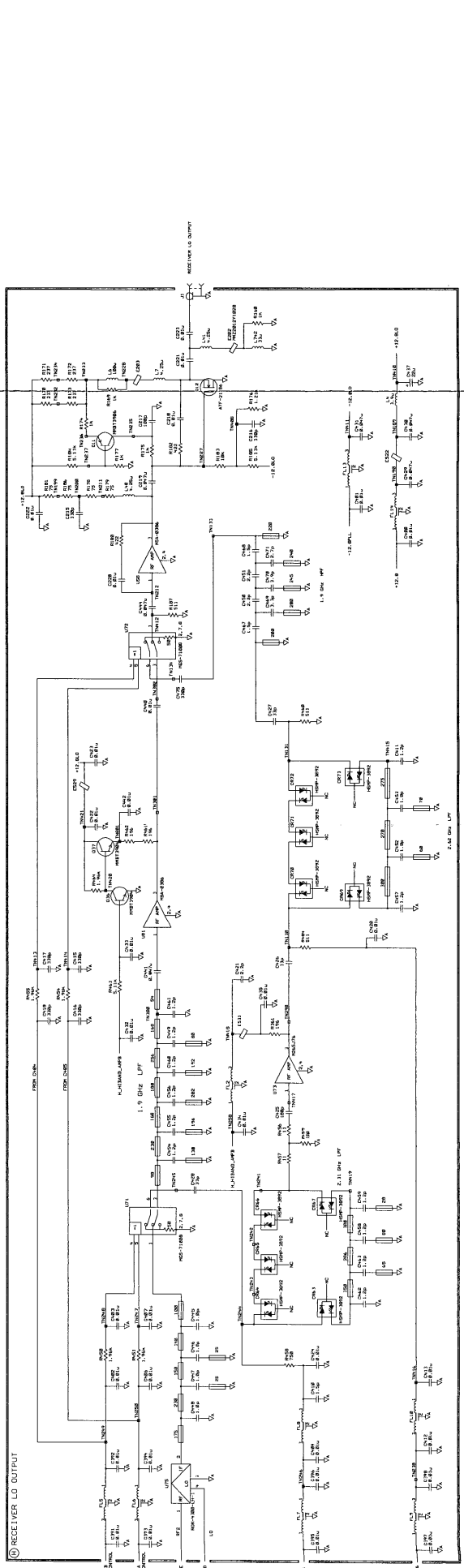
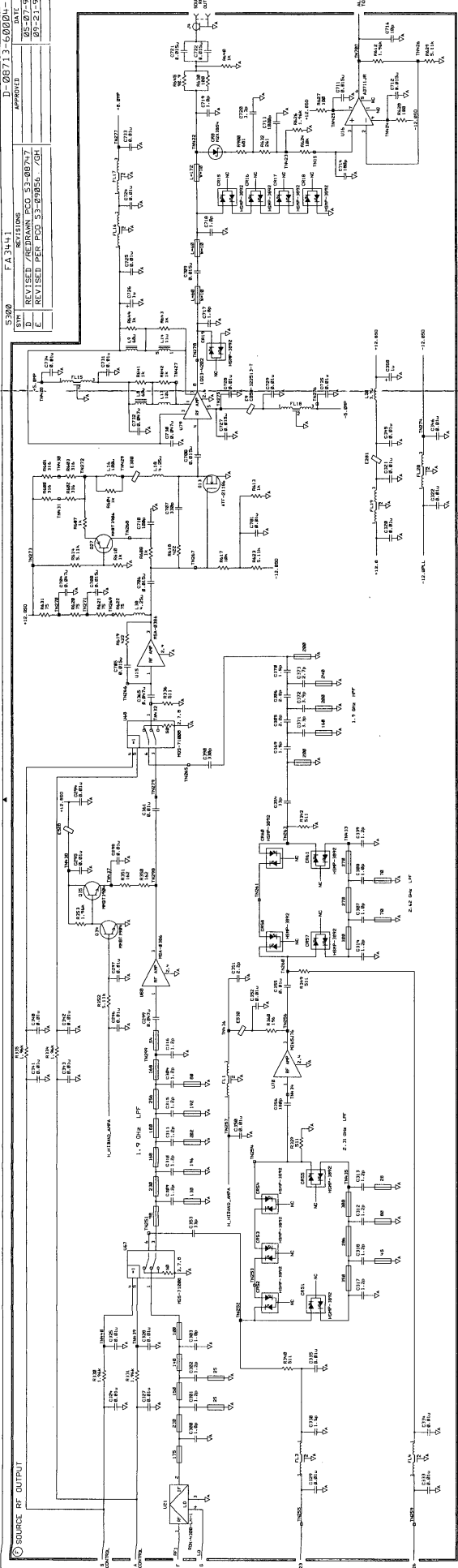
3201180N HEWLETT PACKARD
 FILENAME: 8841 NONE
 SHEET 2 of 5 88713-6000N
 D-08713-6000N-1 TITLE: SCHEMATIC, PWA SOURCE

5380	FA 3441	D-08713-60004-1
REVISED	REVISED	REVISED
REVISED	REVISED	REVISED
REVISED	REVISED	REVISED
REVISED	REVISED	REVISED
REVISED	REVISED	REVISED



HP PROPRIETARY THIS DOCUMENT CONTAINS PROPRIETARY INFORMATION THAT IS NOT TO BE DISCLOSED OR REPRODUCED IN ANY MANNER WITHOUT THE EXPRESS WRITTEN PERMISSION OF HP.		DRAWN BY: _____ CHECKED BY: _____ APPROVED BY: _____ DATE: _____ DATE: _____ DATE: _____
S3C1000A FILENAME: _____ SCALE: NONE SHEET 3 OF 5 D-08713-60004-1		S3C1000A FILENAME: _____ SCALE: NONE SHEET 3 OF 5 D-08713-60004-1
S3C1000A FILENAME: _____ SCALE: NONE SHEET 3 OF 5 D-08713-60004-1		S3C1000A FILENAME: _____ SCALE: NONE SHEET 3 OF 5 D-08713-60004-1

D-08713-60004-1
 DATE 05-07-95
 REVISED PER POB 33-09858-70H
 APPROVED
 FA 3441 REVISIONS
 D REVISED /REDRAWN PCD 53-08747
 E REVISED PER POB 33-09858-70H



DRAWN BY: DATE: HEWLETT PACKARD
 CHECKED BY: DATE: 53-08747
 APPROVED BY: DATE: 05-07-95
 D-08713-60004-1
 TITLE: SCHEMATIC, PWA SOURCE

HP PROPRIETARY
 INFORMATION
 THIS DOCUMENT CONTAINS PROPRIETARY INFORMATION THAT IS UNCLASSIFIED OR CONTROLLED FOR EXPORTATION BY THE EXPORT ADMINISTRATION REGULATIONS OF THE UNITED STATES OF AMERICA. IT IS THE PROPERTY OF HP. IT IS LOANED TO YOUR COMPANY AND IS NOT TO BE REPRODUCED OR TRANSMITTED IN ANY FORM OR BY ANY MEANS, ELECTRONIC OR MECHANICAL, INCLUDING PHOTOCOPYING, RECORDING, OR BY ANY INFORMATION STORAGE AND RETRIEVAL SYSTEM, WITHOUT PERMISSION IN WRITING FROM HP.

