

**Component-Level Information Packet  
for 08712-60004**

**Source (8711C/12C/30A)**



**Agilent Technologies**

**Part No. 08712-90036  
Printed in USA February 1998**

**Notice.** The information contained in this document is subject to change without notice.

Hewlett-Packard makes no warranty of any kind with regard to this material, including, but not limited to, the implied warranties of merchantability and fitness for a particular purpose. Hewlett-Packard shall not be liable for errors contained herein or for incidental or consequential damages in connection with the furnishing, performance, or use of this material.

©Copyright Hewlett-Packard Company 1998

All Rights Reserved. Reproduction, adaptation, or translation without prior written permission is prohibited, except as allowed under the copyright laws.

**HP Part Number 08712-60004  
Source (8711C/12C/30A)**

Reference Designator	HP Part Number	Qty	Description	Mfr Code	Mfr Part Number
C1	0160-6104	1	CAP-FXD 2200pF +-5% 50 V CER C0G	28480	0160-6104
C2	0160-6734	1	CAP-FXD 0.047uF +-10% 50 V CER X7R	28480	0160-6734
C3	0160-6734	1	CAP-FXD 0.047uF +-10% 50 V CER X7R	28480	0160-6734
C4	0160-5964	1	CAP-FXD 180pF +-5% 50 V CER C0G	28480	0160-5964
C5	0160-5964	1	CAP-FXD 180pF +-5% 50 V CER C0G	28480	0160-5964
C6	0160-6727	1	CAP-FXD 0.033uF +-10% 50 V CER X7R	28480	0160-6727
C8	0160-5974	1	CAP-FXD 8.2pF +-6.1% 50 V CER C0G	28480	0160-5974
C9	0160-6734	1	CAP-FXD 0.047uF +-10% 50 V CER X7R	28480	0160-6734
C10	0160-6735	1	CAP-FXD 4700pF +-10% 50 V CER X7R	28480	0160-6735
C11	0180-3753	1	CAP-FXD 6.8uF +-20% 35 V TA	28480	0180-3753
C12	0180-3753	1	CAP-FXD 6.8uF +-20% 35 V TA	28480	0180-3753
C13	0160-6222	1	CAP-FXD 0.1uF +-10% 50 V CER X7R	28480	0160-6222
C14	0160-4834	1	CAP-FXD 0.047uF +-10% 100 V CER X7R	28480	0160-4834
C15	0160-6222	1	CAP-FXD 0.1uF +-10% 50 V CER X7R	28480	0160-6222
C16	0160-7332	1	CAP-FXD 6800pF +-10% 50 V CER X7R	28480	0160-7332
C17	0160-5952	1	CAP-FXD 330pF +-5% 50 V CER C0G	28480	0160-5952
C18	0160-5952	1	CAP-FXD 330pF +-5% 50 V CER C0G	28480	0160-5952
C19	0180-3753	1	CAP-FXD 6.8uF +-20% 35 V TA	28480	0180-3753
C20	0160-6222	1	CAP-FXD 0.1uF +-10% 50 V CER X7R	28480	0160-6222
C21	0160-6734	1	CAP-FXD 0.047uF +-10% 50 V CER X7R	28480	0160-6734
C22	0180-3753	1	CAP-FXD 6.8uF +-20% 35 V TA	28480	0180-3753
C23	0160-6222	1	CAP-FXD 0.1uF +-10% 50 V CER X7R	28480	0160-6222
C24	0180-3753	1	CAP-FXD 6.8uF +-20% 35 V TA	28480	0180-3753
C25	0180-3467	1	CAP-FXD 22uF +-20% 63 V AL-ELCTLT	28480	0180-3467
C26	0160-6222	1	CAP-FXD 0.1uF +-10% 50 V CER X7R	28480	0160-6222
C27	0160-5952	1	CAP-FXD 330pF +-5% 50 V CER C0G	28480	0160-5952
C28	0160-5952	1	CAP-FXD 330pF +-5% 50 V CER C0G	28480	0160-5952
C29	0160-5952	1	CAP-FXD 330pF +-5% 50 V CER C0G	28480	0160-5952
C30	0160-5952	1	CAP-FXD 330pF +-5% 50 V CER C0G	28480	0160-5952
C32	0160-6734	1	CAP-FXD 0.047uF +-10% 50 V CER X7R	28480	0160-6734
C33	0160-6734	1	CAP-FXD 0.047uF +-10% 50 V CER X7R	28480	0160-6734
C34	0160-6734	1	CAP-FXD 0.047uF +-10% 50 V CER X7R	28480	0160-6734
C35	0160-6734	1	CAP-FXD 0.047uF +-10% 50 V CER X7R	28480	0160-6734
C36	0160-6222	1	CAP-FXD 0.1uF +-10% 50 V CER X7R	28480	0160-6222
C37	0160-7332	1	CAP-FXD 6800pF +-10% 50 V CER X7R	28480	0160-7332

*\*Indicates factory-selected value*

**HP Part Number 08712-60004**  
**Source (8711C/12C/30A) (continued)**

Reference Designator	HP Part Number	Qty	Description	Mfr Code	Mfr Part Number
C38	0160-7332	1	CAP-FXD 6800pF +-10% 50 V CER X7R	28480	0160-7332
C39	0160-6735	1	CAP-FXD 4700pF +-10% 50 V CER X7R	28480	0160-6735
C40	0160-5880	1	CAP-FXD 2200pF +-1% 50 V CER C0G	28480	0160-5880
C41	0160-5880	1	CAP-FXD 2200pF +-1% 50 V CER C0G	28480	0160-5880
C42	0160-5880	1	CAP-FXD 2200pF +-1% 50 V CER C0G	28480	0160-5880
C43	0160-5880	1	CAP-FXD 2200pF +-1% 50 V CER C0G	28480	0160-5880
C44	0160-5880	1	CAP-FXD 2200pF +-1% 50 V CER C0G	28480	0160-5880
C45	0160-5880	1	CAP-FXD 2200pF +-1% 50 V CER C0G	28480	0160-5880
C46	0160-5880	1	CAP-FXD 2200pF +-1% 50 V CER C0G	28480	0160-5880
C47	0160-5880	1	CAP-FXD 2200pF +-1% 50 V CER C0G	28480	0160-5880
C48	0160-7208	1	CAP-FXD 0.015uF +-10% 50 V CER X7R	28480	0160-7208
C49	0160-5952	1	CAP-FXD 330pF +-5% 50 V CER C0G	28480	0160-5952
C50	0160-6734	1	CAP-FXD 0.047uF +-10% 50 V CER X7R	28480	0160-6734
C52	0160-5975	1	CAP-FXD 10pF +-5% 50 V CER C0G	28480	0160-5975
C53	0180-3749	1	CAP-FXD 0.22uF +-20% 35 V TA	28480	0180-3749
C55	0160-5952	1	CAP-FXD 330pF +-5% 50 V CER C0G	28480	0160-5952
C56	0160-5952	1	CAP-FXD 330pF +-5% 50 V CER C0G	28480	0160-5952
C57	0160-5952	1	CAP-FXD 330pF +-5% 50 V CER C0G	28480	0160-5952
C58	0160-5975	1	CAP-FXD 10pF +-5% 50 V CER C0G	28480	0160-5975
C59	0160-5979	1	CAP-FXD 1.5pF +-33.33% 50 V CER C0G	28480	0160-5979
C60	0160-5975	1	CAP-FXD 10pF +-5% 50 V CER C0G	28480	0160-5975
C61	0160-5952	1	CAP-FXD 330pF +-5% 50 V CER C0G	28480	0160-5952
C62	0160-6734	1	CAP-FXD 0.047uF +-10% 50 V CER X7R	28480	0160-6734
C63	0160-6734	1	CAP-FXD 0.047uF +-10% 50 V CER X7R	28480	0160-6734
C64	0160-5952	1	CAP-FXD 330pF +-5% 50 V CER C0G	28480	0160-5952
C65	0160-5952	1	CAP-FXD 330pF +-5% 50 V CER C0G	28480	0160-5952
C66	0160-5952	1	CAP-FXD 330pF +-5% 50 V CER C0G	28480	0160-5952
C67	0160-5952	1	CAP-FXD 330pF +-5% 50 V CER C0G	28480	0160-5952
C68	0160-6104	1	CAP-FXD 2200pF +-5% 50 V CER C0G	28480	0160-6104
C69	0160-6734	1	CAP-FXD 0.047uF +-10% 50 V CER X7R	28480	0160-6734
C70	0160-6734	1	CAP-FXD 0.047uF +-10% 50 V CER X7R	28480	0160-6734
C71	0180-3753	1	CAP-FXD 6.8uF +-20% 35 V TA	28480	0180-3753
C72	0160-6222	1	CAP-FXD 0.1uF +-10% 50 V CER X7R	28480	0160-6222
C74	0160-6734	1	CAP-FXD 0.047uF +-10% 50 V CER X7R	28480	0160-6734
C76	0160-6734	1	CAP-FXD 0.047uF +-10% 50 V CER X7R	28480	0160-6734

**HP Part Number 08712-60004**  
**Source (8711C/12C/30A) (continued)**

Reference Designator	HP Part Number	Qty	Description	Mfr Code	Mfr Part Number
C77	0160-6734	1	CAP-FXD 0.047uF +-10% 50 V CER X7R	28480	0160-6734
C78	0160-6734	1	CAP-FXD 0.047uF +-10% 50 V CER X7R	28480	0160-6734
C79	0160-6734	1	CAP-FXD 0.047uF +-10% 50 V CER X7R	28480	0160-6734
C80	0160-6734	1	CAP-FXD 0.047uF +-10% 50 V CER X7R	28480	0160-6734
C81	0160-6222	1	CAP-FXD 0.1uF +-10% 50 V CER X7R	28480	0160-6222
C82	0160-7332	1	CAP-FXD 6800pF +-10% 50 V CER X7R	28480	0160-7332
C83	0160-7332	1	CAP-FXD 6800pF +-10% 50 V CER X7R	28480	0160-7332
C84	0160-5974	1	CAP-FXD 8.2pF +-6.1% 50 V CER C0G	28480	0160-5974
C85	0160-6727	1	CAP-FXD 0.033uF +-10% 50 V CER X7R	28480	0160-6727
C86	0160-7333	1	CAP-FXD 0.068uF +-10% 50 V CER X7R	28480	0160-7333
C87	0180-3753	1	CAP-FXD 6.8uF +-20% 35 V TA	28480	0180-3753
C88	0160-6734	1	CAP-FXD 0.047uF +-10% 50 V CER X7R	28480	0160-6734
C89	0160-5952	1	CAP-FXD 330pF +-5% 50 V CER C0G	28480	0160-5952
C90	0160-5952	1	CAP-FXD 330pF +-5% 50 V CER C0G	28480	0160-5952
C91	0160-5975	1	CAP-FXD 10pF +-5% 50 V CER C0G	28480	0160-5975
C92	0160-5979	1	CAP-FXD 1.5pF +-33.33% 50 V CER C0G	28480	0160-5979
C93	0160-5975	1	CAP-FXD 10pF +-5% 50 V CER C0G	28480	0160-5975
C94	0160-5952	1	CAP-FXD 330pF +-5% 50 V CER C0G	28480	0160-5952
C95	0160-5952	1	CAP-FXD 330pF +-5% 50 V CER C0G	28480	0160-5952
C96	0160-5952	1	CAP-FXD 330pF +-5% 50 V CER C0G	28480	0160-5952
C97	0160-5952	1	CAP-FXD 330pF +-5% 50 V CER C0G	28480	0160-5952
C98	0160-5952	1	CAP-FXD 330pF +-5% 50 V CER C0G	28480	0160-5952
C99	0160-6222	1	CAP-FXD 0.1uF +-10% 50 V CER X7R	28480	0160-6222
C100	0160-5952	1	CAP-FXD 330pF +-5% 50 V CER C0G	28480	0160-5952
C101	0160-5952	1	CAP-FXD 330pF +-5% 50 V CER C0G	28480	0160-5952
C102	0160-6735	1	CAP-FXD 4700pF +-10% 50 V CER X7R	28480	0160-6735
C103	0160-5952	1	CAP-FXD 330pF +-5% 50 V CER C0G	28480	0160-5952
C104	0160-5952	1	CAP-FXD 330pF +-5% 50 V CER C0G	28480	0160-5952
C105	0160-6104	1	CAP-FXD 2200pF +-5% 50 V CER C0G	28480	0160-6104
C106	0160-6734	1	CAP-FXD 0.047uF +-10% 50 V CER X7R	28480	0160-6734
C107	0160-6734	1	CAP-FXD 0.047uF +-10% 50 V CER X7R	28480	0160-6734
C108	0160-6222	1	CAP-FXD 0.1uF +-10% 50 V CER X7R	28480	0160-6222
C109	0160-5952	1	CAP-FXD 330pF +-5% 50 V CER C0G	28480	0160-5952
C110	0160-5943	1	CAP-FXD 2.7pF +-18.52% 50 V CER C0G	28480	0160-5943
C111	0160-6222	1	CAP-FXD 0.1uF +-10% 50 V CER X7R	28480	0160-6222

*\*Indicates factory-selected value*

**HP Part Number 08712-60004**  
**Source (8711C/12C/30A) (continued)**

Reference Designator	HP Part Number	Qty	Description	Mfr Code	Mfr Part Number
C112	0160-5978	1	CAP-FXD 2.2pF +22.73% 50 V CER C0G	28480	0160-5978
C113	0160-5979	1	CAP-FXD 1.5pF +33.33% 50 V CER C0G	28480	0160-5979
C114	0180-3753	1	CAP-FXD 6.8uF +20% 35 V TA	28480	0180-3753
C115	0180-3753	1	CAP-FXD 6.8uF +20% 35 V TA	28480	0180-3753
C116	0160-5952	1	CAP-FXD 330pF +5% 50 V CER C0G	28480	0160-5952
C117	0160-6734	1	CAP-FXD 0.047uF +-10% 50 V CER X7R	28480	0160-6734
C118	0160-6734	1	CAP-FXD 0.047uF +-10% 50 V CER X7R	28480	0160-6734
C119	0160-6734	1	CAP-FXD 0.047uF +-10% 50 V CER X7R	28480	0160-6734
C120	0160-6734	1	CAP-FXD 0.047uF +-10% 50 V CER X7R	28480	0160-6734
C121	0160-6734	1	CAP-FXD 0.047uF +-10% 50 V CER X7R	28480	0160-6734
C122	0160-6734	1	CAP-FXD 0.047uF +-10% 50 V CER X7R	28480	0160-6734
C123	0160-6734	1	CAP-FXD 0.047uF +-10% 50 V CER X7R	28480	0160-6734
C124	0160-6222	1	CAP-FXD 0.1uF +10% 50 V CER X7R	28480	0160-6222
C125	0160-6734	1	CAP-FXD 0.047uF +-10% 50 V CER X7R	28480	0160-6734
C126	0160-6222	1	CAP-FXD 0.1uF +10% 50 V CER X7R	28480	0160-6222
C127	0160-6222	1	CAP-FXD 0.1uF +10% 50 V CER X7R	28480	0160-6222
C128	0160-6736	1	CAP-FXD 0.01uF +10% 50 V CER X7R	28480	0160-6736
C129	0160-6736	1	CAP-FXD 0.01uF +10% 50 V CER X7R	28480	0160-6736
C131	0160-6736	1	CAP-FXD 0.01uF +10% 50 V CER X7R	28480	0160-6736
C132	0160-6736	1	CAP-FXD 0.01uF +10% 50 V CER X7R	28480	0160-6736
C133	0180-3751	1	CAP-FXD 1uF +20% 35 V TA	28480	0180-3751
C134	0180-3751	1	CAP-FXD 1uF +20% 35 V TA	28480	0180-3751
C135	0160-6102	1	CAP-FXD 1500pF +5% 50 V CER C0G	28480	0160-6102
C136	0160-6222	1	CAP-FXD 0.1uF +10% 50 V CER X7R	28480	0160-6222
C137	0160-6222	1	CAP-FXD 0.1uF +10% 50 V CER X7R	28480	0160-6222
C138	0160-6222	1	CAP-FXD 0.1uF +10% 50 V CER X7R	28480	0160-6222
C139	0180-3753	1	CAP-FXD 6.8uF +20% 35 V TA	28480	0180-3753
C140	0180-3753	1	CAP-FXD 6.8uF +20% 35 V TA	28480	0180-3753
C141	0180-3753	1	CAP-FXD 6.8uF +20% 35 V TA	28480	0180-3753
C142	0180-3753	1	CAP-FXD 6.8uF +20% 35 V TA	28480	0180-3753
C143	0160-6734	1	CAP-FXD 0.047uF +-10% 50 V CER X7R	28480	0160-6734
C144	0180-3751	1	CAP-FXD 1uF +20% 35 V TA	28480	0180-3751
C145	0180-3751	1	CAP-FXD 1uF +20% 35 V TA	28480	0180-3751
C146	0180-3751	1	CAP-FXD 1uF +20% 35 V TA	28480	0180-3751
C147	0180-3753	1	CAP-FXD 6.8uF +20% 35 V TA	28480	0180-3753

**HP Part Number 08712-60004**  
**Source (8711C/12C/30A) (continued)**

Reference Designator	HP Part Number	Qty	Description	Mfr Code	Mfr Part Number
C148	0180-3753	1	CAP-FXD 6.8uF +20% 35 V TA	28480	0180-3753
C149	0180-3751	1	CAP-FXD 1uF +20% 35 V TA	28480	0180-3751
C150	0180-3751	1	CAP-FXD 1uF +20% 35 V TA	28480	0180-3751
C151	0180-3753	1	CAP-FXD 6.8uF +20% 35 V TA	28480	0180-3753
C152	0180-3753	1	CAP-FXD 6.8uF +20% 35 V TA	28480	0180-3753
C153	0160-6102	1	CAP-FXD 1500pF +5% 50 V CER C0G	28480	0160-6102
C154	0180-3464	1	CAP-FXD 2.2uF +20% 100 V AL-ELCTLT	28480	0180-3464
C155	0180-3464	1	CAP-FXD 2.2uF +20% 100 V AL-ELCTLT	28480	0180-3464
C156	0180-3464	1	CAP-FXD 2.2uF +20% 100 V AL-ELCTLT	28480	0180-3464
C157	0180-3464	1	CAP-FXD 2.2uF +20% 100 V AL-ELCTLT	28480	0180-3464
C158	0180-3467	1	CAP-FXD 22uF +20% 63 V AL-ELCTLT	28480	0180-3467
C159	0180-3467	1	CAP-FXD 22uF +20% 63 V AL-ELCTLT	28480	0180-3467
C160	0180-3467	1	CAP-FXD 22uF +20% 63 V AL-ELCTLT	28480	0180-3467
C161	0180-3752	1	CAP-FXD 3.3uF +20% 35 V TA	28480	0180-3752
C162	0160-5951	1	CAP-FXD 390pF +5% 50 V CER C0G	28480	0160-5951
C163	0160-5951	1	CAP-FXD 390pF +5% 50 V CER C0G	28480	0160-5951
C164	0160-6734	1	CAP-FXD 0.047uF +10% 50 V CER X7R	28480	0160-6734
C165	0160-6734	1	CAP-FXD 0.047uF +10% 50 V CER X7R	28480	0160-6734
C166	0160-6222	1	CAP-FXD 0.1uF +10% 50 V CER X7R	28480	0160-6222
C167	0160-6734	1	CAP-FXD 0.047uF +10% 50 V CER X7R	28480	0160-6734
C168	0160-5951	1	CAP-FXD 390pF +5% 50 V CER C0G	28480	0160-5951
C169	0160-6734	1	CAP-FXD 0.047uF +10% 50 V CER X7R	28480	0160-6734
C170	0160-6734	1	CAP-FXD 0.047uF +10% 50 V CER X7R	28480	0160-6734
C171	0160-6734	1	CAP-FXD 0.047uF +10% 50 V CER X7R	28480	0160-6734
C172	0160-6734	1	CAP-FXD 0.047uF +10% 50 V CER X7R	28480	0160-6734
C173	0160-6734	1	CAP-FXD 0.047uF +10% 50 V CER X7R	28480	0160-6734
C174	0160-6734	1	CAP-FXD 0.047uF +10% 50 V CER X7R	28480	0160-6734
C175	0160-6734	1	CAP-FXD 0.047uF +10% 50 V CER X7R	28480	0160-6734
C176	0160-5961	1	CAP-FXD 22pF +5% 50 V CER C0G	28480	0160-5961
C177	0160-6734	1	CAP-FXD 0.047uF +10% 50 V CER X7R	28480	0160-6734
C178	0160-6734	1	CAP-FXD 0.047uF +10% 50 V CER X7R	28480	0160-6734
C179	0160-6734	1	CAP-FXD 0.047uF +10% 50 V CER X7R	28480	0160-6734
C180	0160-5943	1	CAP-FXD 2.7pF +18.52% 50 V CER C0G	28480	0160-5943
C181	0160-6736	1	CAP-FXD 0.01uF +10% 50 V CER X7R	28480	0160-6736
C182	0160-6735	1	CAP-FXD 4700pF +10% 50 V CER X7R	28480	0160-6735

*\*Indicates factory-selected value*

**HP Part Number 08712-60004**  
**Source (8711C/12C/30A) (continued)**

Reference Designator	HP Part Number	Qty	Description	Mfr Code	Mfr Part Number
C186	0160-6735	1	CAP-FXD 4700pF +-10% 50 V CER X7R	28480	0160-6735
C187	0160-6734	1	CAP-FXD 0.047uF +-10% 50 V CER X7R	28480	0160-6734
C188	0160-6734	1	CAP-FXD 0.047uF +-10% 50 V CER X7R	28480	0160-6734
C189	0160-6734	1	CAP-FXD 0.047uF +-10% 50 V CER X7R	28480	0160-6734
C192	0160-6734	1	CAP-FXD 0.047uF +-10% 50 V CER X7R	28480	0160-6734
C193	0160-5957	1	CAP-FXD 47pF +-5% 50 V CER C0G	28480	0160-5957
C194	0160-6734	1	CAP-FXD 0.047uF +-10% 50 V CER X7R	28480	0160-6734
C195	0160-6734	1	CAP-FXD 0.047uF +-10% 50 V CER X7R	28480	0160-6734
C196	0160-6734	1	CAP-FXD 0.047uF +-10% 50 V CER X7R	28480	0160-6734
C197	0160-6222	1	CAP-FXD 0.1uF +-10% 50 V CER X7R	28480	0160-6222
C198	0160-5952	1	CAP-FXD 330pF +-5% 50 V CER C0G	28480	0160-5952
C199	0160-5952	1	CAP-FXD 330pF +-5% 50 V CER C0G	28480	0160-5952
C200	0160-5952	1	CAP-FXD 330pF +-5% 50 V CER C0G	28480	0160-5952
C201	0160-5952	1	CAP-FXD 330pF +-5% 50 V CER C0G	28480	0160-5952
C202	0160-6222	1	CAP-FXD 0.1uF +-10% 50 V CER X7R	28480	0160-6222
C203	0160-6222	1	CAP-FXD 0.1uF +-10% 50 V CER X7R	28480	0160-6222
C500	0180-3754	1	CAP-FXD 10uF +-20% 25 V TA	28480	0180-3754
C501	0180-3753	1	CAP-FXD 6.8uF +-20% 35 V TA	28480	0180-3753
C502	0180-3753	1	CAP-FXD 6.8uF +-20% 35 V TA	28480	0180-3753
C503	0180-3754	1	CAP-FXD 10uF +-20% 25 V TA	28480	0180-3754
C504	0160-5952	1	CAP-FXD 330pF +-5% 50 V CER C0G	28480	0160-5952
C505	0160-5952	1	CAP-FXD 330pF +-5% 50 V CER C0G	28480	0160-5952
C506	0160-5952	1	CAP-FXD 330pF +-5% 50 V CER C0G	28480	0160-5952
C507	0160-5952	1	CAP-FXD 330pF +-5% 50 V CER C0G	28480	0160-5952
C508	0160-6222	1	CAP-FXD 0.1uF +-10% 50 V CER X7R	28480	0160-6222
C509	0160-5952	1	CAP-FXD 330pF +-5% 50 V CER C0G	28480	0160-5952
C510	0160-6222	1	CAP-FXD 0.1uF +-10% 50 V CER X7R	28480	0160-6222
C511	0160-5962	1	CAP-FXD 15pF +-5% 50 V CER C0G	28480	0160-5962
C512	0160-5978	1	CAP-FXD 2.2pF +-22.73% 50 V CER C0G	28480	0160-5978
C513	0160-5979	1	CAP-FXD 1.5pF +-33.33% 50 V CER C0G	28480	0160-5979
C514	0160-7332	1	CAP-FXD 6800pF +-10% 50 V CER X7R	28480	0160-7332
C515	0160-7332	1	CAP-FXD 6800pF +-10% 50 V CER X7R	28480	0160-7332
C516	0160-5953	1	CAP-FXD 270pF +-5% 50 V CER C0G	28480	0160-5953
C517	0160-6734	1	CAP-FXD 0.047uF +-10% 50 V CER X7R	28480	0160-6734
C518	0180-3753	1	CAP-FXD 6.8uF +-20% 35 V TA	28480	0180-3753



**HP Part Number 08712-60004**  
**Source (8711C/12C/30A) (continued)**

Reference Designator	HP Part Number	Qty	Description	Mfr Code	Mfr Part Number
C519	0180-3753	1	CAP-FXD 6.8uF +-20% 35 V TA	28480	0180-3753
C520	0160-6734	1	CAP-FXD 0.047uF +-10% 50 V CER X7R	28480	0160-6734
C521	0160-6734	1	CAP-FXD 0.047uF +-10% 50 V CER X7R	28480	0160-6734
C522	0160-6734	1	CAP-FXD 0.047uF +-10% 50 V CER X7R	28480	0160-6734
C523	0160-5974	1	CAP-FXD 8.2pF +-6.1% 50 V CER C0G	28480	0160-5974
C524	0160-5962	1	CAP-FXD 15pF +-5% 50 V CER C0G	28480	0160-5962
C526	0160-5952	1	CAP-FXD 330pF +-5% 50 V CER C0G	28480	0160-5952
C527	0160-6736	1	CAP-FXD 0.01uF +-10% 50 V CER X7R	28480	0160-6736
C528	0180-3753	1	CAP-FXD 6.8uF +-20% 35 V TA	28480	0180-3753
C529	0180-3753	1	CAP-FXD 6.8uF +-20% 35 V TA	28480	0180-3753
C530	0180-3753	1	CAP-FXD 6.8uF +-20% 35 V TA	28480	0180-3753
C531	0160-6734	1	CAP-FXD 0.047uF +-10% 50 V CER X7R	28480	0160-6734
C532	0160-6734	1	CAP-FXD 0.047uF +-10% 50 V CER X7R	28480	0160-6734
C533	0160-6734	1	CAP-FXD 0.047uF +-10% 50 V CER X7R	28480	0160-6734
C534	0160-6734	1	CAP-FXD 0.047uF +-10% 50 V CER X7R	28480	0160-6734
C535	0160-5952	1	CAP-FXD 330pF +-5% 50 V CER C0G	28480	0160-5952
C536	0160-6734	1	CAP-FXD 0.047uF +-10% 50 V CER X7R	28480	0160-6734
C537	0160-6734	1	CAP-FXD 0.047uF +-10% 50 V CER X7R	28480	0160-6734
C538	0160-6734	1	CAP-FXD 0.047uF +-10% 50 V CER X7R	28480	0160-6734
C539	0160-6734	1	CAP-FXD 0.047uF +-10% 50 V CER X7R	28480	0160-6734
C540	0160-5952	1	CAP-FXD 330pF +-5% 50 V CER C0G	28480	0160-5952
C541	0160-6736	1	CAP-FXD 0.01uF +-10% 50 V CER X7R	28480	0160-6736
C542	0180-3753	1	CAP-FXD 6.8uF +-20% 35 V TA	28480	0180-3753
C543	0180-3753	1	CAP-FXD 6.8uF +-20% 35 V TA	28480	0180-3753
C544	0180-3753	1	CAP-FXD 6.8uF +-20% 35 V TA	28480	0180-3753
C545	0160-5952	1	CAP-FXD 330pF +-5% 50 V CER C0G	28480	0160-5952
C546	0160-6222	1	CAP-FXD 0.1uF +-10% 50 V CER X7R	28480	0160-6222
C547	0160-6222	1	CAP-FXD 0.1uF +-10% 50 V CER X7R	28480	0160-6222
C548	0160-6222	1	CAP-FXD 0.1uF +-10% 50 V CER X7R	28480	0160-6222
C549	0160-6222	1	CAP-FXD 0.1uF +-10% 50 V CER X7R	28480	0160-6222
C550	0160-5952	1	CAP-FXD 330pF +-5% 50 V CER C0G	28480	0160-5952
C551	0180-3753	1	CAP-FXD 6.8uF +-20% 35 V TA	28480	0180-3753
C552	0180-3753	1	CAP-FXD 6.8uF +-20% 35 V TA	28480	0180-3753
C553	0160-5952	1	CAP-FXD 330pF +-5% 50 V CER C0G	28480	0160-5952
C554	0160-6222	1	CAP-FXD 0.1uF +-10% 50 V CER X7R	28480	0160-6222

*\*Indicates factory-selected value*

**HP Part Number 08712-60004**  
**Source (8711C/12C/30A) (continued)**

Reference Designator	HP Part Number	Qty	Description	Mfr Code	Mfr Part Number
C555	0160-6222	1	CAP-FXD 0.1uF +-10% 50 V CER X7R	28480	0160-6222
C556	0160-6222	1	CAP-FXD 0.1uF +-10% 50 V CER X7R	28480	0160-6222
C557	0160-6222	1	CAP-FXD 0.1uF +-10% 50 V CER X7R	28480	0160-6222
C558	0160-6670	1	CAP-FXD 3300pF +-5% 50 V CER C0G	28480	0160-6670
C559	0160-6105	1	CAP-FXD 2700pF +-5% 50 V CER C0G	28480	0160-6105
C561	0160-6104	1	CAP-FXD 2200pF +-5% 50 V CER C0G	28480	0160-6104
C562	0160-6734	1	CAP-FXD 0.047uF +-10% 50 V CER X7R	28480	0160-6734
C563	0160-6734	1	CAP-FXD 0.047uF +-10% 50 V CER X7R	28480	0160-6734
C564	0160-6734	1	CAP-FXD 0.047uF +-10% 50 V CER X7R	28480	0160-6734
C565	0160-5952	1	CAP-FXD 330pF +-5% 50 V CER C0G	28480	0160-5952
C566	0160-5952	1	CAP-FXD 330pF +-5% 50 V CER C0G	28480	0160-5952
C567	0160-5952	1	CAP-FXD 330pF +-5% 50 V CER C0G	28480	0160-5952
C568	0160-6727	1	CAP-FXD 0.033uF +-10% 50 V CER X7R	28480	0160-6727
C569	0160-6736	1	CAP-FXD 0.01uF +-10% 50 V CER X7R	28480	0160-6736
C570	0160-5880	1	CAP-FXD 2200pF +-1% 50 V CER C0G	28480	0160-5880
C571	0160-5880	1	CAP-FXD 2200pF +-1% 50 V CER C0G	28480	0160-5880
C572	0160-5880	1	CAP-FXD 2200pF +-1% 50 V CER C0G	28480	0160-5880
C573	0160-5880	1	CAP-FXD 2200pF +-1% 50 V CER C0G	28480	0160-5880
C574	0160-6734	1	CAP-FXD 0.047uF +-10% 50 V CER X7R	28480	0160-6734
C575	0160-6734	1	CAP-FXD 0.047uF +-10% 50 V CER X7R	28480	0160-6734
C576	0160-5977	1	CAP-FXD 1.2pF +-21% 50 V CER C0G	28480	0160-5977
C577	0160-5977	1	CAP-FXD 1.2pF +-21% 50 V CER C0G	28480	0160-5977
C578	0160-5977	1	CAP-FXD 1.2pF +-21% 50 V CER C0G	28480	0160-5977
C579	0160-5972	1	CAP-FXD 5.6pF +-8.93% 50 V CER C0G	28480	0160-5972
C580	0160-5971	1	CAP-FXD 4.7pF +-10.64% 50 V CER C0G	28480	0160-5971
C581	0160-5979	1	CAP-FXD 1.5pF +-33.33% 50 V CER C0G	28480	0160-5979
C582	0160-5975	1	CAP-FXD 10pF +-5% 50 V CER C0G	28480	0160-5975
C583	0160-5952	1	CAP-FXD 330pF +-5% 50 V CER C0G	28480	0160-5952
C584	0160-6736	1	CAP-FXD 0.01uF +-10% 50 V CER X7R	28480	0160-6736
C585	0160-5952	1	CAP-FXD 330pF +-5% 50 V CER C0G	28480	0160-5952
C586	0160-5952	1	CAP-FXD 330pF +-5% 50 V CER C0G	28480	0160-5952
C587	0160-5952	1	CAP-FXD 330pF +-5% 50 V CER C0G	28480	0160-5952
C588	0160-5952	1	CAP-FXD 330pF +-5% 50 V CER C0G	28480	0160-5952
C589	0160-5972	1	CAP-FXD 5.6pF +-8.93% 50 V CER C0G	28480	0160-5972
C590	0160-5972	1	CAP-FXD 5.6pF +-8.93% 50 V CER C0G	28480	0160-5972

**HP Part Number 08712-60004**  
**Source (8711C/12C/30A) (continued)**

Reference Designator	HP Part Number	Qty	Description	Mfr Code	Mfr Part Number
C591	0160-5972	1	CAP-FXD 5.6pF +8.93% 50 V CER C0G	28480	0160-5972
C592	0160-5972	1	CAP-FXD 5.6pF +8.93% 50 V CER C0G	28480	0160-5972
C593	0160-5972	1	CAP-FXD 5.6pF +8.93% 50 V CER C0G	28480	0160-5972
C594	0160-6736	1	CAP-FXD 0.01uF +-10% 50 V CER X7R	28480	0160-6736
C595	0160-6736	1	CAP-FXD 0.01uF +-10% 50 V CER X7R	28480	0160-6736
C596	0160-6736	1	CAP-FXD 0.01uF +-10% 50 V CER X7R	28480	0160-6736
C597	0160-6734	1	CAP-FXD 0.047uF +-10% 50 V CER X7R	28480	0160-6734
C598	0160-6734	1	CAP-FXD 0.047uF +-10% 50 V CER X7R	28480	0160-6734
C599	0160-5972	1	CAP-FXD 5.6pF +8.93% 50 V CER C0G	28480	0160-5972
C600	0160-5972	1	CAP-FXD 5.6pF +8.93% 50 V CER C0G	28480	0160-5972
C601	0160-6222	1	CAP-FXD 0.1uF +-10% 50 V CER X7R	28480	0160-6222
C602	0160-6222	1	CAP-FXD 0.1uF +-10% 50 V CER X7R	28480	0160-6222
C603	0160-5952	1	CAP-FXD 330pF +-5% 50 V CER C0G	28480	0160-5952
C604	0160-5975	1	CAP-FXD 10pF +-5% 50 V CER C0G	28480	0160-5975
C605	0180-3751	1	CAP-FXD 1uF +-20% 35 V TA	28480	0180-3751
C606	0160-5952	1	CAP-FXD 330pF +-5% 50 V CER C0G	28480	0160-5952
C607	0160-6222	1	CAP-FXD 0.1uF +-10% 50 V CER X7R	28480	0160-6222
C608	0160-6222	1	CAP-FXD 0.1uF +-10% 50 V CER X7R	28480	0160-6222
C609	0180-3753	1	CAP-FXD 6.8uF +-20% 35 V TA	28480	0180-3753
C610	0160-5975	1	CAP-FXD 10pF +-5% 50 V CER C0G	28480	0160-5975
C611	0160-6734	1	CAP-FXD 0.047uF +-10% 50 V CER X7R	28480	0160-6734
C612	0160-5952	1	CAP-FXD 330pF +-5% 50 V CER C0G	28480	0160-5952
C613	0160-6736	1	CAP-FXD 0.01uF +-10% 50 V CER X7R	28480	0160-6736
C614	0160-6222	1	CAP-FXD 0.1uF +-10% 50 V CER X7R	28480	0160-6222
C620	0160-5980	1	CAP-FXD 1.8pF +-27.78% 50 V CER C0G	28480	0160-5980
C621	0160-5942	1	CAP-FXD 1pF +-25% 50 V CER C0G	28480	0160-5942
C622	0160-5980	1	CAP-FXD 1.8pF +-27.78% 50 V CER C0G	28480	0160-5980
C623	0160-5942	1	CAP-FXD 1pF +-25% 50 V CER C0G	28480	0160-5942
CR1	1901-1227	1	DIODE-SWITCHING 75V 200MA 6NS TO-236	28480	1901-1227
CR2	1901-1227	1	DIODE-SWITCHING 75V 200MA 6NS TO-236	28480	1901-1227
CR3	1901-1227	1	DIODE-SWITCHING 75V 200MA 6NS TO-236	28480	1901-1227
CR4	1901-1227	1	DIODE-SWITCHING 75V 200MA 6NS TO-236	28480	1901-1227
CR5	1901-1227	1	DIODE-SWITCHING 75V 200MA 6NS TO-236	28480	1901-1227
CR6	1901-1227	1	DIODE-SWITCHING 75V 200MA 6NS TO-236	28480	1901-1227
CR7	1901-1227	1	DIODE-SWITCHING 75V 200MA 6NS TO-236	28480	1901-1227

*\*Indicates factory-selected value*

**HP Part Number 08712-60004**  
**Source (8711C/12C/30A) (continued)**

Reference Designator	HP Part Number	Qty	Description	Mfr Code	Mfr Part Number
CR8	1900-0262	1	DIODE-SCHOTTKY SM SIG	28480	1900-0262
CR9	1900-0100	1	DIODE-PIN	28480	1900-0100
CR10	1900-0100	1	DIODE-PIN	28480	1900-0100
CR11	1900-0100	1	DIODE-PIN	28480	1900-0100
CR12	1900-0100	1	DIODE-PIN	28480	1900-0100
CR13	1900-0100	1	DIODE-PIN	28480	1900-0100
CR14	1901-1227	1	DIODE-SWITCHING 75V 200MA 6NS TO-236	28480	1901-1227
CR15	1901-1227	1	DIODE-SWITCHING 75V 200MA 6NS TO-236	28480	1901-1227
CR16	1901-1227	1	DIODE-SWITCHING 75V 200MA 6NS TO-236	28480	1901-1227
CR17	1901-1227	1	DIODE-SWITCHING 75V 200MA 6NS TO-236	28480	1901-1227
CR18	1901-1227	1	DIODE-SWITCHING 75V 200MA 6NS TO-236	28480	1901-1227
CR19	1901-1227	1	DIODE-SWITCHING 75V 200MA 6NS TO-236	28480	1901-1227
CR20	1901-1227	1	DIODE-SWITCHING 75V 200MA 6NS TO-236	28480	1901-1227
CR21	1906-0291	1	DIODE-DUAL 70V 100MA TO-236AA	28480	1906-0291
CR23	1900-0100	1	DIODE-PIN	28480	1900-0100
CR24	1900-0100	1	DIODE-PIN	28480	1900-0100
CR25	1901-1227	1	DIODE-SWITCHING 75V 200MA 6NS TO-236	28480	1901-1227
CR26	1901-1227	1	DIODE-SWITCHING 75V 200MA 6NS TO-236	28480	1901-1227
CR27	1906-0375	1	DIODE-ARRAY 50V 400MA	28480	1906-0375
CR28	1901-1227	1	DIODE-SWITCHING 75V 200MA 6NS TO-236	28480	1901-1227
E1	9170-1418	1	CORE-SHIELDING BEAD	28480	9170-1418
E2	9170-1418	1	CORE-SHIELDING BEAD	28480	9170-1418
E3	9170-1418	1	CORE-SHIELDING BEAD	28480	9170-1418
E4	9170-1418	1	CORE-SHIELDING BEAD	28480	9170-1418
E5	9170-1418	1	CORE-SHIELDING BEAD	28480	9170-1418
E6	9170-1421	1	CORE-SHIELDING BEAD	28480	9170-1421
E7	9170-1418	1	CORE-SHIELDING BEAD	28480	9170-1418
E8	9170-1418	1	CORE-SHIELDING BEAD	28480	9170-1418
E9	9170-1418	1	CORE-SHIELDING BEAD	28480	9170-1418
E10	9170-1418	1	CORE-SHIELDING BEAD	28480	9170-1418
E11	9170-1421	1	CORE-SHIELDING BEAD	28480	9170-1421
E12	9170-1418	1	CORE-SHIELDING BEAD	28480	9170-1418
E13	9170-1368	1	CORE-SHIELDING BEAD	28480	9170-1368
E14	9170-1368	1	CORE-SHIELDING BEAD	28480	9170-1368
E15	9170-1368	1	CORE-SHIELDING BEAD	28480	9170-1368

**HP Part Number 08712-60004**  
**Source (8711C/12C/30A) (continued)**

Reference Designator	HP Part Number	Qty	Description	Mfr Code	Mfr Part Number
E500	9170-1421	1	CORE-SHIELDING BEAD	28480	9170-1421
E501	9170-1421	1	CORE-SHIELDING BEAD	28480	9170-1421
E502	9170-1421	1	CORE-SHIELDING BEAD	28480	9170-1421
E503	9170-1418	1	CORE-SHIELDING BEAD	28480	9170-1418
E504	9170-1418	1	CORE-SHIELDING BEAD	28480	9170-1418
E506	9170-1418	1	CORE-SHIELDING BEAD	28480	9170-1418
E507	9170-1418	1	CORE-SHIELDING BEAD	28480	9170-1418
E508	9170-1421	1	CORE-SHIELDING BEAD	28480	9170-1421
E509	9170-1418	1	CORE-SHIELDING BEAD	28480	9170-1418
E510	9170-1418	1	CORE-SHIELDING BEAD	28480	9170-1418
E511	9170-1418	1	CORE-SHIELDING BEAD	28480	9170-1418
E512	9170-1418	1	CORE-SHIELDING BEAD	28480	9170-1418
E513	9170-1418	1	CORE-SHIELDING BEAD	28480	9170-1418
E514	9170-1418	1	CORE-SHIELDING BEAD	28480	9170-1418
E515	9170-1418	1	CORE-SHIELDING BEAD	28480	9170-1418
E516	9170-1418	1	CORE-SHIELDING BEAD	28480	9170-1418
E517	9170-1418	1	CORE-SHIELDING BEAD	28480	9170-1418
E518	9170-1418	1	CORE-SHIELDING BEAD	28480	9170-1418
E519	9170-1418	1	CORE-SHIELDING BEAD	28480	9170-1418
E520	9170-1418	1	CORE-SHIELDING BEAD	28480	9170-1418
E521	9170-1418	1	CORE-SHIELDING BEAD	28480	9170-1418
E522	9170-1418	1	CORE-SHIELDING BEAD	28480	9170-1418
E523	9170-1421	1	CORE-SHIELDING BEAD	28480	9170-1421
E524	9170-1418	1	CORE-SHIELDING BEAD	28480	9170-1418
E525	9170-1421	1	CORE-SHIELDING BEAD	28480	9170-1421
E526	9170-1421	1	CORE-SHIELDING BEAD	28480	9170-1421
E527	9170-1421	1	CORE-SHIELDING BEAD	28480	9170-1421
J1	1250-1986	1	CONNECTOR-RF SMA RCPT PC-W/O-STDF 50-OHM	28480	1250-1986
J2	1250-1512	1	CONNECTOR-RF SMB PLUG PC-W-STDFS 50-OHM	28480	1250-1512
J3	1250-1512	1	CONNECTOR-RF SMB PLUG PC-W-STDFS 50-OHM	28480	1250-1512
J4	1250-1986	1	CONNECTOR-RF SMA RCPT PC-W/O-STDF 50-OHM	28480	1250-1986
J5	1251-5033	1	CONN-POST TYPE .100-PIN-SPCG-MTG-END	28480	1251-5033
J6	1251-5033	1	CONN-POST TYPE .100-PIN-SPCG-MTG-END	28480	1251-5033
J7	1251-5033	1	CONN-POST TYPE .100-PIN-SPCG-MTG-END	28480	1251-5033
L1	9100-2574	1	INDUCTOR RF-CH-MLD 1.2MH +-10%	28480	9100-2574

*\*Indicates factory-selected value*

**HP Part Number 08712-60004**  
**Source (8711C/12C/30A) (continued)**

Reference Designator	HP Part Number	Qty	Description	Mfr Code	Mfr Part Number
L2	9100-3922	1	INDUCTOR-FIXED Z > 1200 OHMS 120 TO 650	28480	9100-3922
L3	9100-3922	1	INDUCTOR-FIXED Z > 1200 OHMS 120 TO 650	28480	9100-3922
L4	9100-3922	1	INDUCTOR-FIXED Z > 1200 OHMS 120 TO 650	28480	9100-3922
L5	9100-3922	1	INDUCTOR-FIXED Z > 1200 OHMS 120 TO 650	28480	9100-3922
L6	9100-3922	1	INDUCTOR-FIXED Z > 1200 OHMS 120 TO 650	28480	9100-3922
L7	9100-3922	1	INDUCTOR-FIXED Z > 1200 OHMS 120 TO 650	28480	9100-3922
L8	9100-3922	1	INDUCTOR-FIXED Z > 1200 OHMS 120 TO 650	28480	9100-3922
L9	9100-3922	1	INDUCTOR-FIXED Z > 1200 OHMS 120 TO 650	28480	9100-3922
L10	9140-1121	1	INDUCTOR 100uH +-5% 3.4W-mmX4.8LG-mm	28480	9140-1121
L11	9140-1121	1	INDUCTOR 100uH +-5% 3.4W-mmX4.8LG-mm	28480	9140-1121
L15	9140-1244	1	INDUCTOR 1mH +-5% 3.4W-mmX4.8LG-mm Q=30	28480	9140-1244
L500	9140-1113	1	INDUCTOR 10uH +-5% 3.4W-mmX4.8LG-mm Q=50	28480	9140-1113
L501	9140-1113	1	INDUCTOR 10uH +-5% 3.4W-mmX4.8LG-mm Q=50	28480	9140-1113
L502	9140-1113	1	INDUCTOR 10uH +-5% 3.4W-mmX4.8LG-mm Q=50	28480	9140-1113
L503	9140-1116	1	INDUCTOR 33uH +-5% 3.4W-mmX4.8LG-mm Q=50	28480	9140-1116
L504	9140-1116	1	INDUCTOR 33uH +-5% 3.4W-mmX4.8LG-mm Q=50	28480	9140-1116
L505	9140-1113	1	INDUCTOR 10uH +-5% 3.4W-mmX4.8LG-mm Q=50	28480	9140-1113
L506	9140-1116	1	INDUCTOR 33uH +-5% 3.4W-mmX4.8LG-mm Q=50	28480	9140-1116
L507	9140-1116	1	INDUCTOR 33uH +-5% 3.4W-mmX4.8LG-mm Q=50	28480	9140-1116
L508	9140-1111	1	INDUCTOR 6.8uH +-5% 3.4W-mmX4.8LG-mm	28480	9140-1111
L509	9140-1111	1	INDUCTOR 6.8uH +-5% 3.4W-mmX4.8LG-mm	28480	9140-1111
L510	9140-1111	1	INDUCTOR 6.8uH +-5% 3.4W-mmX4.8LG-mm	28480	9140-1111
L511	9140-1244	1	INDUCTOR 1mH +-5% 3.4W-mmX4.8LG-mm Q=30	28480	9140-1244
MP3	08711-20022	1	SHLD-TOP FR SCE	28480	08711-20022
MP4	08711-20043	1	GSKT-RF SCE FR	28480	08711-20043
MP5	08711-20043	1	GSKT-RF SCE FR	28480	08711-20043
MP6	08711-20023	1	SHLD-LWR FR SCE	28480	08711-20023
MP7	08711-20024	1	SHLD-TOP RR SCE	28480	08711-20024
MP8	08711-20025	1	SHLD-LWR RR SCE	28480	08711-20025
MP9	08711-20044	1	RF GSKT-RR SCE	28480	08711-20044
MP10	08711-20044	1	RF GSKT-RR SCE	28480	08711-20044
MP11	0515-0664	1	SCREW-MACHINE ASSEMBLY M3 X 0.5 12MM-LG	05610	
MP12	0515-0664	1	SCREW-MACHINE ASSEMBLY M3 X 0.5 12MM-LG	05610	
MP13	0515-0664	1	SCREW-MACHINE ASSEMBLY M3 X 0.5 12MM-LG	05610	
MP14	0515-0664	1	SCREW-MACHINE ASSEMBLY M3 X 0.5 12MM-LG	05610	

**HP Part Number 08712-60004**  
**Source (8711C/12C/30A) (continued)**

Reference Designator	HP Part Number	Qty	Description	Mfr Code	Mfr Part Number
MP15	0515-0664	1	SCREW-MACHINE ASSEMBLY M3 X 0.5 12MM-LG	05610	
MP16	0515-0664	1	SCREW-MACHINE ASSEMBLY M3 X 0.5 12MM-LG	05610	
MP17	0515-0664	1	SCREW-MACHINE ASSEMBLY M3 X 0.5 12MM-LG	05610	
MP18	0515-0664	1	SCREW-MACHINE ASSEMBLY M3 X 0.5 12MM-LG	05610	
MP19	0515-0664	1	SCREW-MACHINE ASSEMBLY M3 X 0.5 12MM-LG	05610	
MP20	0515-0664	1	SCREW-MACHINE ASSEMBLY M3 X 0.5 12MM-LG	05610	
MP21	0515-0664	1	SCREW-MACHINE ASSEMBLY M3 X 0.5 12MM-LG	05610	
MP22	0515-0664	1	SCREW-MACHINE ASSEMBLY M3 X 0.5 12MM-LG	05610	
MP23	0515-0664	1	SCREW-MACHINE ASSEMBLY M3 X 0.5 12MM-LG	05610	
MP24	0515-0664	1	SCREW-MACHINE ASSEMBLY M3 X 0.5 12MM-LG	05610	
MP25	0515-0664	1	SCREW-MACHINE ASSEMBLY M3 X 0.5 12MM-LG	05610	
MP26	0515-0664	1	SCREW-MACHINE ASSEMBLY M3 X 0.5 12MM-LG	05610	
MP27	0515-0664	1	SCREW-MACHINE ASSEMBLY M3 X 0.5 12MM-LG	05610	
MP28	0515-0664	1	SCREW-MACHINE ASSEMBLY M3 X 0.5 12MM-LG	05610	
MP29	0515-0664	1	SCREW-MACHINE ASSEMBLY M3 X 0.5 12MM-LG	05610	
MP30	0515-0664	1	SCREW-MACHINE ASSEMBLY M3 X 0.5 12MM-LG	05610	
MP31	0515-0664	1	SCREW-MACHINE ASSEMBLY M3 X 0.5 12MM-LG	05610	
MP32	0515-0664	1	SCREW-MACHINE ASSEMBLY M3 X 0.5 12MM-LG	05610	
MP33	1400-1661	1	CLAMP-COMPONENT SST	13522	
MP34	1400-1661	1	CLAMP-COMPONENT SST	13522	
MP35	1400-1661	1	CLAMP-COMPONENT SST	13522	
MP36	1400-1662	1	CLAMP-COMPONENT SST	13522	
MP37	1400-1662	1	CLAMP-COMPONENT SST	13522	
MP38	0590-1637	1	THREADED INSERT-NUT M2 X 0.4 1.5-MM-LG	03981	KFS2-M2
MP39	0590-1637	1	THREADED INSERT-NUT M2 X 0.4 1.5-MM-LG	03981	KFS2-M2
MP40	0590-1637	1	THREADED INSERT-NUT M2 X 0.4 1.5-MM-LG	03981	KFS2-M2
MP41	0590-1637	1	THREADED INSERT-NUT M2 X 0.4 1.5-MM-LG	03981	KFS2-M2
MP42	0590-1637	1	THREADED INSERT-NUT M2 X 0.4 1.5-MM-LG	03981	KFS2-M2
MP43	0590-1637	1	THREADED INSERT-NUT M2 X 0.4 1.5-MM-LG	03981	KFS2-M2
MP44	0590-1637	1	THREADED INSERT-NUT M2 X 0.4 1.5-MM-LG	03981	KFS2-M2
MP45	0590-1637	1	THREADED INSERT-NUT M2 X 0.4 1.5-MM-LG	03981	KFS2-M2
MP46	0590-1637	1	THREADED INSERT-NUT M2 X 0.4 1.5-MM-LG	03981	KFS2-M2
MP47	0590-1637	1	THREADED INSERT-NUT M2 X 0.4 1.5-MM-LG	03981	KFS2-M2
MP48	0515-0658	1	SCREW-MACHINE ASSEMBLY M2 X 0.4 6MM-LG	05610	
MP49	0515-0658	1	SCREW-MACHINE ASSEMBLY M2 X 0.4 6MM-LG	05610	

*\*Indicates factory-selected value*

**HP Part Number 08712-60004**  
**Source (8711C/12C/30A) (continued)**

Reference Designator	HP Part Number	Qty	Description	Mfr Code	Mfr Part Number
MP50	0515-0658	1	SCREW-MACHINE ASSEMBLY M2 X 0.4 6MM-LG	05610	
MP51	0515-0658	1	SCREW-MACHINE ASSEMBLY M2 X 0.4 6MM-LG	05610	
MP52	0515-0658	1	SCREW-MACHINE ASSEMBLY M2 X 0.4 6MM-LG	05610	
MP53	0515-0658	1	SCREW-MACHINE ASSEMBLY M2 X 0.4 6MM-LG	05610	
MP54	0515-0658	1	SCREW-MACHINE ASSEMBLY M2 X 0.4 6MM-LG	05610	
MP55	0515-0658	1	SCREW-MACHINE ASSEMBLY M2 X 0.4 6MM-LG	05610	
MP56	0515-0658	1	SCREW-MACHINE ASSEMBLY M2 X 0.4 6MM-LG	05610	
MP57	0515-0658	1	SCREW-MACHINE ASSEMBLY M2 X 0.4 6MM-LG	05610	
MP58	1205-0639	1	HEAT SINK SGL TO-220-CS	07179	576802B03100
MP59	1205-0639	1	HEAT SINK SGL TO-220-CS	07179	576802B03100
MP60	1205-0639	1	HEAT SINK SGL TO-220-CS	07179	576802B03100
MP61	1205-0639	1	HEAT SINK SGL TO-220-CS	07179	576802B03100
MP62	1205-0639	1	HEAT SINK SGL TO-220-CS	07179	576802B03100
MP63	08711-20017	1	PLATE-MTG TRANS	28480	08711-20017
MP64	2580-0003	1	NUT-HEX-W/LKWR 8-32-THD .125-IN-THK	04805	511-081800-00-0280-2580
MP65	0515-0430	1	SCREW-MACHINE ASSEMBLY M3 X 0.5 6MM-LG	05610	
MP66	0515-0430	1	SCREW-MACHINE ASSEMBLY M3 X 0.5 6MM-LG	05610	
MP67	0515-0430	1	SCREW-MACHINE ASSEMBLY M3 X 0.5 6MM-LG	05610	
MP68	0515-0430	1	SCREW-MACHINE ASSEMBLY M3 X 0.5 6MM-LG	05610	
MP69	0515-0430	1	SCREW-MACHINE ASSEMBLY M3 X 0.5 6MM-LG	05610	
MP70	0590-1095	1	THREADED INSERT-NUT M3 X 0.5 1.5-MM-LG	03981	KF2-M3-ZI
MP71	0590-1095	1	THREADED INSERT-NUT M3 X 0.5 1.5-MM-LG	03981	KF2-M3-ZI
MP72	0590-1095	1	THREADED INSERT-NUT M3 X 0.5 1.5-MM-LG	03981	KF2-M3-ZI
MP73	08712-60007	1	SHLD AY-SOURCE	28480	08712-60007
MP74	0590-1095	1	THREADED INSERT-NUT M3 X 0.5 1.5-MM-LG	03981	KF2-M3-ZI
MP75	0590-1095	1	THREADED INSERT-NUT M3 X 0.5 1.5-MM-LG	03981	KF2-M3-ZI
MP76	1400-1669	1	BRACKET L-BRACKET; ALUMINUM; W/M3X0.5	13522	
MP77	0515-0430	3	SCREW-MACHINE ASSEMBLY M3 X 0.5 6MM-LG	05610	
MP78	0515-0430	3	SCREW-MACHINE ASSEMBLY M3 X 0.5 6MM-LG	05610	
MP79	2190-0124	1	WASHER-LK INTL T NO. 10 .195-IN-ID	02788	500222
MP80	2190-0124	1	WASHER-LK INTL T NO. 10 .195-IN-ID	02788	500222
MP81	2950-0078	1	NUT-HEX-DBL-CHAM 10-32-THD .067-IN-THK	00904	
MP82	2950-0078	1	NUT-HEX-DBL-CHAM 10-32-THD .067-IN-THK	00904	
NONE	08711-80034	1	LBL IN SOURCE	28480	08711-80034
P1	1252-2356	1	CONN-POST TYPE 2.54-PIN-SPCG-MTG-END	28480	1252-2356



**HP Part Number 08712-60004**  
**Source (8711C/12C/30A) (continued)**

Reference Designator	HP Part Number	Qty	Description	Mfr Code	Mfr Part Number
Q1	1853-0581	1	TRANSISTOR PNP SI SOT-23 (TO-236AB)	28480	1853-0581
Q2	1854-1226	1	TRANSISTOR NPN SI TO-253 PD=400MW	28480	1854-1226
Q3	1854-1037	1	TRANSISTOR NPN SI TO-236AA PD=350MW	28480	1854-1037
Q4	1854-1037	1	TRANSISTOR NPN SI TO-236AA PD=350MW	28480	1854-1037
Q5	1854-1037	1	TRANSISTOR NPN SI TO-236AA PD=350MW	28480	1854-1037
Q6	1854-1248	1	TRANSISTOR NPN SI SOT-23 (TO-236AB)	28480	1854-1248
Q7	1854-1037	1	TRANSISTOR NPN SI TO-236AA PD=350MW	28480	1854-1037
Q8	1854-1188	1	TRANSISTOR NPN SI SOT-23 (TO-236AB)	28480	1854-1188
Q9	1854-1226	1	TRANSISTOR NPN SI TO-253 PD=400MW	28480	1854-1226
Q10	1853-0581	1	TRANSISTOR PNP SI SOT-23 (TO-236AB)	28480	1853-0581
Q11	1854-1047	1	TRANSISTOR NPN SI PD=5W FT=5.5GHZ	28480	1854-1047
Q12	1854-1032	1	TRANSISTOR NPN SI PD=2.5W	28480	1854-1032
Q13	1854-1226	1	TRANSISTOR NPN SI TO-253 PD=400MW	28480	1854-1226
Q14	1853-0581	1	TRANSISTOR PNP SI SOT-23 (TO-236AB)	28480	1853-0581
Q15	1854-0828	1	TRANSISTOR NPN SI TO-220AB PD=65W	28480	1854-0828
Q16	1854-1037	1	TRANSISTOR NPN SI TO-236AA PD=350MW	28480	1854-1037
Q17	1854-1095	1	TRANSISTOR NPN SI SOT-23 (TO-236AB)	28480	1854-1095
Q18	1854-1270	1	TRANSISTOR NPN SI TO-261AA (SOT-223)	28480	1854-1270
Q19	1854-1037	1	TRANSISTOR NPN SI TO-236AA PD=350MW	28480	1854-1037
Q20	1855-0082	1	TRANSISTOR J-FET P-CHAN D-MODE SI	28480	1855-0082
Q21	1854-1251	1	TRANSISTOR-DUAL NPN	28480	1854-1251
Q22	1854-1251	1	TRANSISTOR-DUAL NPN	28480	1854-1251
Q23	1854-1037	1	TRANSISTOR NPN SI TO-236AA PD=350MW	28480	1854-1037
Q24	1854-1037	1	TRANSISTOR NPN SI TO-236AA PD=350MW	28480	1854-1037
Q25	1854-1270	1	TRANSISTOR NPN SI TO-261AA (SOT-223)	28480	1854-1270
Q26	1854-1095	1	TRANSISTOR NPN SI SOT-23 (TO-236AB)	28480	1854-1095
Q27	1854-0828	1	TRANSISTOR NPN SI TO-220AB PD=65W	28480	1854-0828
R1	0699-1427	1	RESISTOR 316 +-1% .125W TKF TC=0+-100	28480	0699-1427
R2	0699-1318	1	RESISTOR 1K +-1% .125W TKF TC=0+-100	28480	0699-1318
R4	0699-1366	1	RESISTOR 82.5 +-1% .125W TKF TC=0+-100	28480	0699-1366
R5	1810-1065	1	NETWORK-RES 16-SMD 1.0K OHM X 15	28480	1810-1065
R6	0699-1388	1	RESISTOR 7.5K +-1% .125W TKF TC=0+-100	28480	0699-1388
R8	1810-1064	1	NETWORK-RES 16-SMD 10.0K OHM X 15	28480	1810-1064
R10	0699-1320	1	RESISTOR 19.6K +-1% .125W TKF TC=0+-100	28480	0699-1320
R11	0699-1318	1	RESISTOR 1K +-1% .125W TKF TC=0+-100	28480	0699-1318

*\*Indicates factory-selected value*

**HP Part Number 08712-60004**  
**Source (8711C/12C/30A) (continued)**

Reference Designator	HP Part Number	Qty	Description	Mfr Code	Mfr Part Number
R12	0699-1318	1	RESISTOR 1K +1% .125W TKF TC=0+-100	28480	0699-1318
R13	0699-1318	1	RESISTOR 1K +1% .125W TKF TC=0+-100	28480	0699-1318
R14	0699-1369	1	RESISTOR 1.1K +1% .125W TKF TC=0+-100	28480	0699-1369
R15	0699-1389	1	RESISTOR 8.25K +1% .125W TKF TC=0+-100	28480	0699-1389
R16	0699-1389	1	RESISTOR 8.25K +1% .125W TKF TC=0+-100	28480	0699-1389
R17	0699-1382	1	RESISTOR 3.83K +1% .125W TKF TC=0+-100	28480	0699-1382
R18	0699-1385	1	RESISTOR 5.11K +1% .125W TKF TC=0+-100	28480	0699-1385
R19	0699-1394	1	RESISTOR 14.7K +1% .125W TKF TC=0+-100	28480	0699-1394
R20	0699-1391	1	RESISTOR 10K +1% .125W TKF TC=0+-100	28480	0699-1391
R21	0699-1320	1	RESISTOR 19.6K +1% .125W TKF TC=0+-100	28480	0699-1320
R22	0699-1785	1	RESISTOR 13.3K +1% .125W TKF TC=0+-100	28480	0699-1785
R23	0699-1329	1	RESISTOR 6.19K +1% .125W TKF TC=0+-100	28480	0699-1329
R24	0699-1408	1	RESISTOR 51.1K +1% .125W TKF TC=0+-100	28480	0699-1408
R25	0699-1408	1	RESISTOR 51.1K +1% .125W TKF TC=0+-100	28480	0699-1408
R26	0699-1329	1	RESISTOR 6.19K +1% .125W TKF TC=0+-100	28480	0699-1329
R27	0699-1391	1	RESISTOR 10K +1% .125W TKF TC=0+-100	28480	0699-1391
R28	0699-1399	1	RESISTOR 23.7K +1% .125W TKF TC=0+-100	28480	0699-1399
R29	0699-1396	1	RESISTOR 17.8K +1% .125W TKF TC=0+-100	28480	0699-1396
R30	0699-1401	1	RESISTOR 28.7K +1% .125W TKF TC=0+-100	28480	0699-1401
R31	0699-1407	1	RESISTOR 46.4K +1% .125W TKF TC=0+-100	28480	0699-1407
R32	0699-1401	1	RESISTOR 28.7K +1% .125W TKF TC=0+-100	28480	0699-1401
R33	0699-1376	1	RESISTOR 2.15K +1% .125W TKF TC=0+-100	28480	0699-1376
R34	0699-1433	1	RESISTOR 562 +-1% .125W TKF TC=0+-100	28480	0699-1433
R35	0699-1436	1	RESISTOR 750 +-1% .125W TKF TC=0+-100	28480	0699-1436
R36	0699-1318	1	RESISTOR 1K +1% .125W TKF TC=0+-100	28480	0699-1318
R37	0699-1375	1	RESISTOR 1.96K +1% .125W TKF TC=0+-100	28480	0699-1375
R38	0699-1329	1	RESISTOR 6.19K +1% .125W TKF TC=0+-100	28480	0699-1329
R39	0699-1386	1	RESISTOR 5.62K +1% .125W TKF TC=0+-100	28480	0699-1386
R41	0699-1426	1	RESISTOR 287 +-1% .125W TKF TC=0+-100	28480	0699-1426
R42	0699-1375	1	RESISTOR 1.96K +1% .125W TKF TC=0+-100	28480	0699-1375
R43	0699-1319	1	RESISTOR 12.1K +1% .125W TKF TC=0+-100	28480	0699-1319
R44	0699-1378	1	RESISTOR 2.61K +1% .125W TKF TC=0+-100	28480	0699-1378
R45	0699-1319	1	RESISTOR 12.1K +1% .125W TKF TC=0+-100	28480	0699-1319
R46	0699-1385	1	RESISTOR 5.11K +1% .125W TKF TC=0+-100	28480	0699-1385
R47	0699-1418	1	RESISTOR 133 +1% .125W TKF TC=0+-100	28480	0699-1418

**HP Part Number 08712-60004**  
**Source (8711C/12C/30A) (continued)**

Reference Designator	HP Part Number	Qty	Description	Mfr Code	Mfr Part Number
R48	0699-1432	1	RESISTOR 511 +-1% .125W TKF TC=0+-100	28480	0699-1432
R49	0699-1318	1	RESISTOR 1K +-1% .125W TKF TC=0+-100	28480	0699-1318
R50	0764-0033	1	RESISTOR 33 +-5% 2W MO TC=0+-200	28480	0764-0033
R51	0699-1375	1	RESISTOR 1.96K +-1% .125W TKF TC=0+-100	28480	0699-1375
R52	0699-1400	1	RESISTOR 26.1K +-1% .125W TKF TC=0+-100	28480	0699-1400
R53	0699-1380	1	RESISTOR 3.16K +-1% .125W TKF TC=0+-100	28480	0699-1380
R54	0699-1408	1	RESISTOR 51.1K +-1% .125W TKF TC=0+-100	28480	0699-1408
R55	0699-1330	1	RESISTOR 100K +-1% .125W TKF TC=0+-100	28480	0699-1330
R56	0764-0033	1	RESISTOR 33 +-5% 2W MO TC=0+-200	28480	0764-0033
R57	0699-1355	1	RESISTOR 28.7 +-1% .125W TKF TC=0+-100	28480	0699-1355
R58	0699-1344	1	RESISTOR 10 +-1% .125W TKF TC=0+-100	28480	0699-1344
R59	0699-1344	1	RESISTOR 10 +-1% .125W TKF TC=0+-100	28480	0699-1344
R61	0699-1318	1	RESISTOR 1K +-1% .125W TKF TC=0+-100	28480	0699-1318
R62	0699-1318	1	RESISTOR 1K +-1% .125W TKF TC=0+-100	28480	0699-1318
R63	0699-1318	1	RESISTOR 1K +-1% .125W TKF TC=0+-100	28480	0699-1318
R64	0699-1369	1	RESISTOR 1.1K +-1% .125W TKF TC=0+-100	28480	0699-1369
R65	0699-1377	1	RESISTOR 2.37K +-1% .125W TKF TC=0+-100	28480	0699-1377
R66	0699-1377	1	RESISTOR 2.37K +-1% .125W TKF TC=0+-100	28480	0699-1377
R67	0699-1320	1	RESISTOR 19.6K +-1% .125W TKF TC=0+-100	28480	0699-1320
R68	0698-8805	1	RESISTOR 10.35K +-0.1% .125W TF TC=0+-25	28480	0698-8805
R69	0698-8805	1	RESISTOR 10.35K +-0.1% .125W TF TC=0+-25	28480	0698-8805
R70	0698-8805	1	RESISTOR 10.35K +-0.1% .125W TF TC=0+-25	28480	0698-8805
R71	0698-8805	1	RESISTOR 10.35K +-0.1% .125W TF TC=0+-25	28480	0698-8805
R72	0698-8805	1	RESISTOR 10.35K +-0.1% .125W TF TC=0+-25	28480	0698-8805
R73	0698-8805	1	RESISTOR 10.35K +-0.1% .125W TF TC=0+-25	28480	0698-8805
R74	0698-8805	1	RESISTOR 10.35K +-0.1% .125W TF TC=0+-25	28480	0698-8805
R75	0698-8805	1	RESISTOR 10.35K +-0.1% .125W TF TC=0+-25	28480	0698-8805
R76	0699-1436	1	RESISTOR 750 +-1% .125W TKF TC=0+-100	28480	0699-1436
R77	0699-1436	1	RESISTOR 750 +-1% .125W TKF TC=0+-100	28480	0699-1436
R78	0699-1385	1	RESISTOR 5.11K +-1% .125W TKF TC=0+-100	28480	0699-1385
R79	0699-1385	1	RESISTOR 5.11K +-1% .125W TKF TC=0+-100	28480	0699-1385
R80	0699-1408	1	RESISTOR 51.1K +-1% .125W TKF TC=0+-100	28480	0699-1408
R81	0699-1408	1	RESISTOR 51.1K +-1% .125W TKF TC=0+-100	28480	0699-1408
R82	0699-1329	1	RESISTOR 6.19K +-1% .125W TKF TC=0+-100	28480	0699-1329
R83	0699-1369	1	RESISTOR 1.1K +-1% .125W TKF TC=0+-100	28480	0699-1369

*\*Indicates factory-selected value*

**HP Part Number 08712-60004**  
**Source (8711C/12C/30A) (continued)**

Reference Designator	HP Part Number	Qty	Description	Mfr Code	Mfr Part Number
R84	0699-1369	1	RESISTOR 1.1K +1% .125W TKF TC=0+-100	28480	0699-1369
R86	0699-1399	1	RESISTOR 23.7K +1% .125W TKF TC=0+-100	28480	0699-1399
R87	0699-1380	1	RESISTOR 3.16K +1% .125W TKF TC=0+-100	28480	0699-1380
R88	0699-1423	1	RESISTOR 215 +-1% .125W TKF TC=0+-100	28480	0699-1423
R89	0699-1391	1	RESISTOR 10K +1% .125W TKF TC=0+-100	28480	0699-1391
R90	0699-1385	1	RESISTOR 5.11K +1% .125W TKF TC=0+-100	28480	0699-1385
R91	0699-1391	1	RESISTOR 10K +1% .125W TKF TC=0+-100	28480	0699-1391
R92	0699-1391	1	RESISTOR 10K +1% .125W TKF TC=0+-100	28480	0699-1391
R93	0699-1391	1	RESISTOR 10K +1% .125W TKF TC=0+-100	28480	0699-1391
R95	0699-1365	1	RESISTOR 75 +-1% .125W TKF TC=0+-100	28480	0699-1365
R96	0699-1344	1	RESISTOR 10 +-1% .125W TKF TC=0+-100	28480	0699-1344
R97	0699-1365	1	RESISTOR 75 +-1% .125W TKF TC=0+-100	28480	0699-1365
R98	0699-1344	1	RESISTOR 10 +-1% .125W TKF TC=0+-100	28480	0699-1344
R99	0699-1423	1	RESISTOR 215 +-1% .125W TKF TC=0+-100	28480	0699-1423
R100	0699-1423	1	RESISTOR 215 +-1% .125W TKF TC=0+-100	28480	0699-1423
R101	0699-1352	1	RESISTOR 21.5 +-1% .125W TKF TC=0+-100	28480	0699-1352
R102	0699-1318	1	RESISTOR 1K +1% .125W TKF TC=0+-100	28480	0699-1318
R103	0699-1318	1	RESISTOR 1K +1% .125W TKF TC=0+-100	28480	0699-1318
R104	0699-1375	1	RESISTOR 1.96K +1% .125W TKF TC=0+-100	28480	0699-1375
R105	0699-1318	1	RESISTOR 1K +1% .125W TKF TC=0+-100	28480	0699-1318
R118	0699-1399	1	RESISTOR 23.7K +1% .125W TKF TC=0+-100	28480	0699-1399
R120	0699-1435	1	RESISTOR 681 +-1% .125W TKF TC=0+-100	28480	0699-1435
R121	0699-1435	1	RESISTOR 681 +-1% .125W TKF TC=0+-100	28480	0699-1435
R122	0699-1435	1	RESISTOR 681 +-1% .125W TKF TC=0+-100	28480	0699-1435
R123	0699-1436	1	RESISTOR 750 +-1% .125W TKF TC=0+-100	28480	0699-1436
R124	0699-1320	1	RESISTOR 19.6K +1% .125W TKF TC=0+-100	28480	0699-1320
R125	0699-1388	1	RESISTOR 7.5K +1% .125W TKF TC=0+-100	28480	0699-1388
R126	0699-1388	1	RESISTOR 7.5K +1% .125W TKF TC=0+-100	28480	0699-1388
R127	0699-1432	1	RESISTOR 511 +-1% .125W TKF TC=0+-100	28480	0699-1432
R128	0699-1388	1	RESISTOR 7.5K +1% .125W TKF TC=0+-100	28480	0699-1388
R129	0699-1391	1	RESISTOR 10K +1% .125W TKF TC=0+-100	28480	0699-1391
R130	0699-1385	1	RESISTOR 5.11K +1% .125W TKF TC=0+-100	28480	0699-1385
R131	0699-1415	1	RESISTOR 100 +-1% .125W TKF TC=0+-100	28480	0699-1415
R132	0699-1318	1	RESISTOR 1K +1% .125W TKF TC=0+-100	28480	0699-1318
R133	0699-1399	1	RESISTOR 23.7K +1% .125W TKF TC=0+-100	28480	0699-1399

**HP Part Number 08712-60004  
Source (8711C/12C/30A) (continued)**

Reference Designator	HP Part Number	Qty	Description	Mfr Code	Mfr Part Number
R134	0699-1408	1	RESISTOR 51.1K +-1% .125W TKF TC=0+-100	28480	0699-1408
R135	0699-1408	1	RESISTOR 51.1K +-1% .125W TKF TC=0+-100	28480	0699-1408
R136	0699-1329	1	RESISTOR 6.19K +-1% .125W TKF TC=0+-100	28480	0699-1329
R137	0699-1391	1	RESISTOR 10K +-1% .125W TKF TC=0+-100	28480	0699-1391
R138	0699-1391	1	RESISTOR 10K +-1% .125W TKF TC=0+-100	28480	0699-1391
R139	0699-1385	1	RESISTOR 5.11K +-1% .125W TKF TC=0+-100	28480	0699-1385
R140	0699-1344	1	RESISTOR 10 +-1% .125W TKF TC=0+-100	28480	0699-1344
R141	0699-1344	1	RESISTOR 10 +-1% .125W TKF TC=0+-100	28480	0699-1344
R142	0699-1365	1	RESISTOR 75 +-1% .125W TKF TC=0+-100	28480	0699-1365
R143	0699-1425	1	RESISTOR 261 +-1% .125W TKF TC=0+-100	28480	0699-1425
R144	0699-1318	1	RESISTOR 1K +-1% .125W TKF TC=0+-100	28480	0699-1318
R145	0699-1423	1	RESISTOR 215 +-1% .125W TKF TC=0+-100	28480	0699-1423
R146	0699-1423	1	RESISTOR 215 +-1% .125W TKF TC=0+-100	28480	0699-1423
R147	0699-1351	1	RESISTOR 19.6 +-1% .125W TKF TC=0+-100	28480	0699-1351
R148	0699-1380	1	RESISTOR 3.16K +-1% .125W TKF TC=0+-100	28480	0699-1380
R149	0699-1365	1	RESISTOR 75 +-1% .125W TKF TC=0+-100	28480	0699-1365
R150	0699-1375	1	RESISTOR 1.96K +-1% .125W TKF TC=0+-100	28480	0699-1375
R151	0699-1423	1	RESISTOR 215 +-1% .125W TKF TC=0+-100	28480	0699-1423
R152	0699-1375	1	RESISTOR 1.96K +-1% .125W TKF TC=0+-100	28480	0699-1375
R153	0699-1423	1	RESISTOR 215 +-1% .125W TKF TC=0+-100	28480	0699-1423
R161	0699-1424	1	RESISTOR 237 +-1% .125W TKF TC=0+-100	28480	0699-1424
R162	0699-1424	1	RESISTOR 237 +-1% .125W TKF TC=0+-100	28480	0699-1424
R163	0699-1424	1	RESISTOR 237 +-1% .125W TKF TC=0+-100	28480	0699-1424
R164	0699-1424	1	RESISTOR 237 +-1% .125W TKF TC=0+-100	28480	0699-1424
R165	0699-1424	1	RESISTOR 237 +-1% .125W TKF TC=0+-100	28480	0699-1424
R166	0699-1424	1	RESISTOR 237 +-1% .125W TKF TC=0+-100	28480	0699-1424
R167	0699-1424	1	RESISTOR 237 +-1% .125W TKF TC=0+-100	28480	0699-1424
R168	0699-1424	1	RESISTOR 237 +-1% .125W TKF TC=0+-100	28480	0699-1424
R170	0699-1416	1	RESISTOR 110 +-1% .125W TKF TC=0+-100	28480	0699-1416
R172	0699-1416	1	RESISTOR 110 +-1% .125W TKF TC=0+-100	28480	0699-1416
R173	0699-1424	1	RESISTOR 237 +-1% .125W TKF TC=0+-100	28480	0699-1424
R174	0699-1363	1	RESISTOR 61.9 +-1% .125W TKF TC=0+-100	28480	0699-1363
R175	0699-1363	1	RESISTOR 61.9 +-1% .125W TKF TC=0+-100	28480	0699-1363
R176	0699-1318	1	RESISTOR 1K +-1% .125W TKF TC=0+-100	28480	0699-1318
R177	0699-1318	1	RESISTOR 1K +-1% .125W TKF TC=0+-100	28480	0699-1318

*\*Indicates factory-selected value*

**HP Part Number 08712-60004**  
**Source (8711C/12C/30A) (continued)**

Reference Designator	HP Part Number	Qty	Description	Mfr Code	Mfr Part Number
R178	0699-1432	1	RESISTOR 511 +1% .125W TKF TC=0+-100	28480	0699-1432
R179	0699-1432	1	RESISTOR 511 +1% .125W TKF TC=0+-100	28480	0699-1432
R180	0699-1375	1	RESISTOR 1.96K +1% .125W TKF TC=0+-100	28480	0699-1375
R181	0699-1375	1	RESISTOR 1.96K +1% .125W TKF TC=0+-100	28480	0699-1375
R182	0699-1355	1	RESISTOR 28.7 +1% .125W TKF TC=0+-100	28480	0699-1355
R183	0699-1355	1	RESISTOR 28.7 +1% .125W TKF TC=0+-100	28480	0699-1355
R184	0699-1355	1	RESISTOR 28.7 +1% .125W TKF TC=0+-100	28480	0699-1355
R185	0699-1355	1	RESISTOR 28.7 +1% .125W TKF TC=0+-100	28480	0699-1355
R186	0699-1355	1	RESISTOR 28.7 +1% .125W TKF TC=0+-100	28480	0699-1355
R187	0699-1355	1	RESISTOR 28.7 +1% .125W TKF TC=0+-100	28480	0699-1355
R188	0699-1355	1	RESISTOR 28.7 +1% .125W TKF TC=0+-100	28480	0699-1355
R189	0699-1355	1	RESISTOR 28.7 +1% .125W TKF TC=0+-100	28480	0699-1355
R190	0699-1427	1	RESISTOR 316 +1% .125W TKF TC=0+-100	28480	0699-1427
R191	0699-1427	1	RESISTOR 316 +1% .125W TKF TC=0+-100	28480	0699-1427
R192	0699-1385	1	RESISTOR 5.11K +1% .125W TKF TC=0+-100	28480	0699-1385
R193	0699-1381	1	RESISTOR 3.48K +1% .125W TKF TC=0+-100	28480	0699-1381
R194	0699-1425	1	RESISTOR 261 +1% .125W TKF TC=0+-100	28480	0699-1425
R195	0699-1425	1	RESISTOR 261 +1% .125W TKF TC=0+-100	28480	0699-1425
R196	0699-1425	1	RESISTOR 261 +1% .125W TKF TC=0+-100	28480	0699-1425
R197	0699-2064	1	RESISTOR 6.8 +-5% .125W TKF TC=0+-500	28480	0699-2064
R198	0811-1085	1	RESISTOR 33 +-5% 3W PWI TC=0+-30	28480	0811-1085
R199	0699-1425	1	RESISTOR 261 +1% .125W TKF TC=0+-100	28480	0699-1425
R200	0699-2064	1	RESISTOR 6.8 +-5% .125W TKF TC=0+-500	28480	0699-2064
R201	0699-1366	1	RESISTOR 82.5 +1% .125W TKF TC=0+-100	28480	0699-1366
R202	0699-1432	1	RESISTOR 511 +1% .125W TKF TC=0+-100	28480	0699-1432
R203	0699-1391	1	RESISTOR 10K +1% .125W TKF TC=0+-100	28480	0699-1391
R205	0699-1424	1	RESISTOR 237 +1% .125W TKF TC=0+-100	28480	0699-1424
R206	0699-1424	1	RESISTOR 237 +1% .125W TKF TC=0+-100	28480	0699-1424
R207	0699-1424	1	RESISTOR 237 +1% .125W TKF TC=0+-100	28480	0699-1424
R208	0699-1424	1	RESISTOR 237 +1% .125W TKF TC=0+-100	28480	0699-1424
R213	0699-1375	1	RESISTOR 1.96K +1% .125W TKF TC=0+-100	28480	0699-1375
R215	0699-1431	1	RESISTOR 464 +1% .125W TKF TC=0+-100	28480	0699-1431
R216	0699-1375	1	RESISTOR 1.96K +1% .125W TKF TC=0+-100	28480	0699-1375
R218	0699-1320	1	RESISTOR 19.6K +1% .125W TKF TC=0+-100	28480	0699-1320
R219	0699-1327	1	RESISTOR 1M +1% .125W TKF TC=0+-100	28480	0699-1327

**HP Part Number 08712-60004**  
**Source (8711C/12C/30A) (continued)**

Reference Designator	HP Part Number	Qty	Description	Mfr Code	Mfr Part Number
R220	0699-1390	1	RESISTOR 9.09K +-1% .125W TKF TC=0+-100	28480	0699-1390
R221	0811-3403	1	RESISTOR 1K +-5% .25W PWN TC=+3400+-300	28480	0811-3403
R222	0699-1375	1	RESISTOR 1.96K +-1% .125W TKF TC=0+-100	28480	0699-1375
R223	0699-1375	1	RESISTOR 1.96K +-1% .125W TKF TC=0+-100	28480	0699-1375
R224	0699-1383	1	RESISTOR 4.22K +-1% .125W TKF TC=0+-100	28480	0699-1383
R225	0699-1327	1	RESISTOR 1M +-1% .125W TKF TC=0+-100	28480	0699-1327
R226	0699-1414	1	RESISTOR 90.9K +-1% .125W TKF TC=0+-100	28480	0699-1414
R229	0699-1319	1	RESISTOR 12.1K +-1% .125W TKF TC=0+-100	28480	0699-1319
R230	0699-1432	1	RESISTOR 511 +-1% .125W TKF TC=0+-100	28480	0699-1432
R232	0699-1330	1	RESISTOR 100K +-1% .125W TKF TC=0+-100	28480	0699-1330
R233	0699-1415	1	RESISTOR 100 +-1% .125W TKF TC=0+-100	28480	0699-1415
R234	0699-1372	1	RESISTOR 1.47K +-1% .125W TKF TC=0+-100	28480	0699-1372
R235	0699-1320	1	RESISTOR 19.6K +-1% .125W TKF TC=0+-100	28480	0699-1320
R236	0699-1425	1	RESISTOR 261 +-1% .125W TKF TC=0+-100	28480	0699-1425
R237	0699-1391	1	RESISTOR 10K +-1% .125W TKF TC=0+-100	28480	0699-1391
R239	0699-1415	1	RESISTOR 100 +-1% .125W TKF TC=0+-100	28480	0699-1415
R240	0699-1415	1	RESISTOR 100 +-1% .125W TKF TC=0+-100	28480	0699-1415
R241	0699-1415	1	RESISTOR 100 +-1% .125W TKF TC=0+-100	28480	0699-1415
R242	0699-1415	1	RESISTOR 100 +-1% .125W TKF TC=0+-100	28480	0699-1415
R245	0699-1425	1	RESISTOR 261 +-1% .125W TKF TC=0+-100	28480	0699-1425
R246	0699-1377	1	RESISTOR 2.37K +-1% .125W TKF TC=0+-100	28480	0699-1377
R247	0699-1329	1	RESISTOR 6.19K +-1% .125W TKF TC=0+-100	28480	0699-1329
R252	0699-1377	1	RESISTOR 2.37K +-1% .125W TKF TC=0+-100	28480	0699-1377
R253	0699-1425	1	RESISTOR 261 +-1% .125W TKF TC=0+-100	28480	0699-1425
R259	0699-1356	1	RESISTOR 31.6 +-1% .125W TKF TC=0+-100	28480	0699-1356
R260	0699-1356	1	RESISTOR 31.6 +-1% .125W TKF TC=0+-100	28480	0699-1356
R270	0699-1385	1	RESISTOR 5.11K +-1% .125W TKF TC=0+-100	28480	0699-1385
R271	0699-1391	1	RESISTOR 10K +-1% .125W TKF TC=0+-100	28480	0699-1391
R272	0699-1391	1	RESISTOR 10K +-1% .125W TKF TC=0+-100	28480	0699-1391
R273	0699-1385	1	RESISTOR 5.11K +-1% .125W TKF TC=0+-100	28480	0699-1385
R274	0699-1318	1	RESISTOR 1K +-1% .125W TKF TC=0+-100	28480	0699-1318
R275	0699-1443	1	RESISTOR 147K +-1% .125W TKF TC=0+-100	28480	0699-1443
R283	0699-1385	1	RESISTOR 5.11K +-1% .125W TKF TC=0+-100	28480	0699-1385
R284	0699-1385	1	RESISTOR 5.11K +-1% .125W TKF TC=0+-100	28480	0699-1385
R285	0699-1375	1	RESISTOR 1.96K +-1% .125W TKF TC=0+-100	28480	0699-1375

*\*Indicates factory-selected value*

**HP Part Number 08712-60004**  
**Source (8711C/12C/30A) (continued)**

Reference Designator	HP Part Number	Qty	Description	Mfr Code	Mfr Part Number
R286	0698-3622	1	RESISTOR 120 +5% 2W MO TC=0+-200	28480	0698-3622
R288	0699-1386	1	RESISTOR 5.62K +-1% .125W TKF TC=0+-100	28480	0699-1386
R289	0699-1432	1	RESISTOR 511 +-1% .125W TKF TC=0+-100	28480	0699-1432
R500	0699-1416	1	RESISTOR 110 +-1% .125W TKF TC=0+-100	28480	0699-1416
R501	0699-1416	1	RESISTOR 110 +-1% .125W TKF TC=0+-100	28480	0699-1416
R502	0699-1416	1	RESISTOR 110 +-1% .125W TKF TC=0+-100	28480	0699-1416
R503	0699-1416	1	RESISTOR 110 +-1% .125W TKF TC=0+-100	28480	0699-1416
R504	0699-1424	1	RESISTOR 237 +-1% .125W TKF TC=0+-100	28480	0699-1424
R505	0699-1424	1	RESISTOR 237 +-1% .125W TKF TC=0+-100	28480	0699-1424
R506	0699-1424	1	RESISTOR 237 +-1% .125W TKF TC=0+-100	28480	0699-1424
R507	0699-1424	1	RESISTOR 237 +-1% .125W TKF TC=0+-100	28480	0699-1424
R509	0699-1416	1	RESISTOR 110 +-1% .125W TKF TC=0+-100	28480	0699-1416
R510	0699-1416	1	RESISTOR 110 +-1% .125W TKF TC=0+-100	28480	0699-1416
R511	0699-1416	1	RESISTOR 110 +-1% .125W TKF TC=0+-100	28480	0699-1416
R513	0699-1416	1	RESISTOR 110 +-1% .125W TKF TC=0+-100	28480	0699-1416
R514	0699-1416	1	RESISTOR 110 +-1% .125W TKF TC=0+-100	28480	0699-1416
R515	0699-1416	1	RESISTOR 110 +-1% .125W TKF TC=0+-100	28480	0699-1416
R516	0699-1426	1	RESISTOR 287 +-1% .125W TKF TC=0+-100	28480	0699-1426
R517	0699-1426	1	RESISTOR 287 +-1% .125W TKF TC=0+-100	28480	0699-1426
R518	0699-1350	1	RESISTOR 17.8 +-1% .125W TKF TC=0+-100	28480	0699-1350
R519	0699-1385	1	RESISTOR 5.11K +-1% .125W TKF TC=0+-100	28480	0699-1385
R520	0699-1445	1	RESISTOR 215K +-1% .125W TKF TC=0+-100	28480	0699-1445
R521	0699-1432	1	RESISTOR 511 +-1% .125W TKF TC=0+-100	28480	0699-1432
R522	0699-1391	1	RESISTOR 10K +-1% .125W TKF TC=0+-100	28480	0699-1391
R523	0699-1391	1	RESISTOR 10K +-1% .125W TKF TC=0+-100	28480	0699-1391
R524	0699-1320	1	RESISTOR 19.6K +-1% .125W TKF TC=0+-100	28480	0699-1320
R525	0699-1320	1	RESISTOR 19.6K +-1% .125W TKF TC=0+-100	28480	0699-1320
R526	0699-1318	1	RESISTOR 1K +-1% .125W TKF TC=0+-100	28480	0699-1318
R527	0699-1320	1	RESISTOR 19.6K +-1% .125W TKF TC=0+-100	28480	0699-1320
R528	0699-1375	1	RESISTOR 1.96K +-1% .125W TKF TC=0+-100	28480	0699-1375
R529	0699-1391	1	RESISTOR 10K +-1% .125W TKF TC=0+-100	28480	0699-1391
R530	0699-1362	1	RESISTOR 56.2 +-1% .125W TKF TC=0+-100	28480	0699-1362
R531	0699-1318	1	RESISTOR 1K +-1% .125W TKF TC=0+-100	28480	0699-1318
R532	0699-1386	1	RESISTOR 5.62K +-1% .125W TKF TC=0+-100	28480	0699-1386
R533	0699-1415	1	RESISTOR 100 +-1% .125W TKF TC=0+-100	28480	0699-1415



**HP Part Number 08712-60004**  
**Source (8711C/12C/30A) (continued)**

Reference Designator	HP Part Number	Qty	Description	Mfr Code	Mfr Part Number
R534	0699-1359	1	RESISTOR 42.2 +-1% .125W TKF TC=0+-100	28480	0699-1359
R535	0699-1415	1	RESISTOR 100 +-1% .125W TKF TC=0+-100	28480	0699-1415
R536	0699-1370	1	RESISTOR 1.21K +-1% .125W TKF TC=0+-100	28480	0699-1370
R537	0699-1369	1	RESISTOR 1.1K +-1% .125W TKF TC=0+-100	28480	0699-1369
R538	0757-0438	1	RESISTOR 5.11K +-1% .125W TF TC=0+-100	28480	0757-0438
R539	0757-0438	1	RESISTOR 5.11K +-1% .125W TF TC=0+-100	28480	0757-0438
R540	0699-1375	1	RESISTOR 1.96K +-1% .125W TKF TC=0+-100	28480	0699-1375
R541	0699-1385	1	RESISTOR 5.11K +-1% .125W TKF TC=0+-100	28480	0699-1385
R542	0699-1378	1	RESISTOR 2.61K +-1% .125W TKF TC=0+-100	28480	0699-1378
R543	0699-1352	1	RESISTOR 21.5 +-1% .125W TKF TC=0+-100	28480	0699-1352
R544	0699-1385	1	RESISTOR 5.11K +-1% .125W TKF TC=0+-100	28480	0699-1385
R545	0699-1385	1	RESISTOR 5.11K +-1% .125W TKF TC=0+-100	28480	0699-1385
R546	0699-1385	1	RESISTOR 5.11K +-1% .125W TKF TC=0+-100	28480	0699-1385
R547	0699-1427	1	RESISTOR 316 +-1% .125W TKF TC=0+-100	28480	0699-1427
R548	0699-1422	1	RESISTOR 196 +-1% .125W TKF TC=0+-100	28480	0699-1422
R549	0699-1422	1	RESISTOR 196 +-1% .125W TKF TC=0+-100	28480	0699-1422
R550	0699-1426	1	RESISTOR 287 +-1% .125W TKF TC=0+-100	28480	0699-1426
R551	0699-1415	1	RESISTOR 100 +-1% .125W TKF TC=0+-100	28480	0699-1415
R552	0699-1415	1	RESISTOR 100 +-1% .125W TKF TC=0+-100	28480	0699-1415
R553	0699-1375	1	RESISTOR 1.96K +-1% .125W TKF TC=0+-100	28480	0699-1375
R554	0699-1375	1	RESISTOR 1.96K +-1% .125W TKF TC=0+-100	28480	0699-1375
R555	0699-1375	1	RESISTOR 1.96K +-1% .125W TKF TC=0+-100	28480	0699-1375
R556	0699-1384	1	RESISTOR 4.64K +-1% .125W TKF TC=0+-100	28480	0699-1384
R557	0699-1388	1	RESISTOR 7.5K +-1% .125W TKF TC=0+-100	28480	0699-1388
R558	0699-1388	1	RESISTOR 7.5K +-1% .125W TKF TC=0+-100	28480	0699-1388
R559	0699-1421	1	RESISTOR 178 +-1% .125W TKF TC=0+-100	28480	0699-1421
R560	0699-1364	1	RESISTOR 68.1 +-1% .125W TKF TC=0+-100	28480	0699-1364
R561	0699-1415	1	RESISTOR 100 +-1% .125W TKF TC=0+-100	28480	0699-1415
R562	0699-1375	1	RESISTOR 1.96K +-1% .125W TKF TC=0+-100	28480	0699-1375
R563	0698-3607	1	RESISTOR 18 +-5% 2W MO TC=0+-200	28480	0698-3607
R564	0699-1318	1	RESISTOR 1K +-1% .125W TKF TC=0+-100	28480	0699-1318
R565	0699-1432	1	RESISTOR 511 +-1% .125W TKF TC=0+-100	28480	0699-1432
R566	0699-1433	1	RESISTOR 562 +-1% .125W TKF TC=0+-100	28480	0699-1433
R567	0699-1415	1	RESISTOR 100 +-1% .125W TKF TC=0+-100	28480	0699-1415
R568	0699-1415	1	RESISTOR 100 +-1% .125W TKF TC=0+-100	28480	0699-1415

*\*Indicates factory-selected value*

**HP Part Number 08712-60004**  
**Source (8711C/12C/30A) (continued)**

Reference Designator	HP Part Number	Qty	Description	Mfr Code	Mfr Part Number
R569	0699-1364	1	RESISTOR 68.1 +-1% .125W TKF TC=0+-100	28480	0699-1364
R570	0699-1344	1	RESISTOR 10 +-1% .125W TKF TC=0+-100	28480	0699-1344
R571	0698-3622	1	RESISTOR 120 +-5% 2W MO TC=0+-200	28480	0698-3622
RT1	0839-0011	1	THERMISTOR DISC 100-OHM TC=-3.8%/C-DEG	05098	21E23/7
TP1	1251-0600	1	CONNECTOR-SGL CONT PIN 1.14-MM-BSC-SZ SQ	01136	928-196-004140
TP2	1251-0600	1	CONNECTOR-SGL CONT PIN 1.14-MM-BSC-SZ SQ	01136	928-196-004140
TP3	1251-0600	1	CONNECTOR-SGL CONT PIN 1.14-MM-BSC-SZ SQ	01136	928-196-004140
TP4	1251-0600	1	CONNECTOR-SGL CONT PIN 1.14-MM-BSC-SZ SQ	01136	928-196-004140
TP5	1251-0600	1	CONNECTOR-SGL CONT PIN 1.14-MM-BSC-SZ SQ	01136	928-196-004140
TP6	1251-0600	1	CONNECTOR-SGL CONT PIN 1.14-MM-BSC-SZ SQ	01136	928-196-004140
TP7	1251-0600	1	CONNECTOR-SGL CONT PIN 1.14-MM-BSC-SZ SQ	01136	928-196-004140
TP8	1251-0600	1	CONNECTOR-SGL CONT PIN 1.14-MM-BSC-SZ SQ	01136	928-196-004140
TP9	1251-0600	1	CONNECTOR-SGL CONT PIN 1.14-MM-BSC-SZ SQ	01136	928-196-004140
TP10	1251-0600	1	CONNECTOR-SGL CONT PIN 1.14-MM-BSC-SZ SQ	01136	928-196-004140
TP11	1251-0600	1	CONNECTOR-SGL CONT PIN 1.14-MM-BSC-SZ SQ	01136	928-196-004140
TP12	1251-0600	1	CONNECTOR-SGL CONT PIN 1.14-MM-BSC-SZ SQ	01136	928-196-004140
TP13	1251-0600	1	CONNECTOR-SGL CONT PIN 1.14-MM-BSC-SZ SQ	01136	928-196-004140
TP14	1251-0600	1	CONNECTOR-SGL CONT PIN 1.14-MM-BSC-SZ SQ	01136	928-196-004140
TP15	1251-0600	1	CONNECTOR-SGL CONT PIN 1.14-MM-BSC-SZ SQ	01136	928-196-004140
TP16	1251-0600	1	CONNECTOR-SGL CONT PIN 1.14-MM-BSC-SZ SQ	01136	928-196-004140
TP17	1251-0600	1	CONNECTOR-SGL CONT PIN 1.14-MM-BSC-SZ SQ	01136	928-196-004140
TP18	1251-0600	1	CONNECTOR-SGL CONT PIN 1.14-MM-BSC-SZ SQ	01136	928-196-004140
TP19	1251-0600	1	CONNECTOR-SGL CONT PIN 1.14-MM-BSC-SZ SQ	01136	928-196-004140
TP20	1251-0600	1	CONNECTOR-SGL CONT PIN 1.14-MM-BSC-SZ SQ	01136	928-196-004140
TP21	1251-0600	1	CONNECTOR-SGL CONT PIN 1.14-MM-BSC-SZ SQ	01136	928-196-004140
TP22	1251-0600	1	CONNECTOR-SGL CONT PIN 1.14-MM-BSC-SZ SQ	01136	928-196-004140
TP23	1251-0600	1	CONNECTOR-SGL CONT PIN 1.14-MM-BSC-SZ SQ	01136	928-196-004140
U1	1826-1912	1	IC OP AMP H-SLEW-RATE DUAL 8 PIN	28480	1826-1912
U2	1826-2168	1	IC RF/IF AMPL HIGH-GAIN SINGLE 4 PIN	28480	1826-2168
U3	1826-2175	1	IC RF/IF AMPL SINGLE 4 PIN U-WAVE-PILL	28480	1826-2175
U4	1826-2175	1	IC RF/IF AMPL SINGLE 4 PIN U-WAVE-PILL	28480	1826-2175
U5	0955-0588	1	U-WAVE MIXER 3.8 GHZ MAX	02686	WJ-M2G-8
U6	1820-5605	1	IC GATE ECL/10KH NOR QUAD 2-INP	28480	1820-5605
U7	1820-5629	1	IC FF ECL/10KH D-M/S POS-EDGE-TRIG	28480	1820-5629
U8	1813-0751	1	IC VCO 3 PIN TO-8	28480	1813-0751

**HP Part Number 08712-60004  
Source (8711C/12C/30A) (continued)**

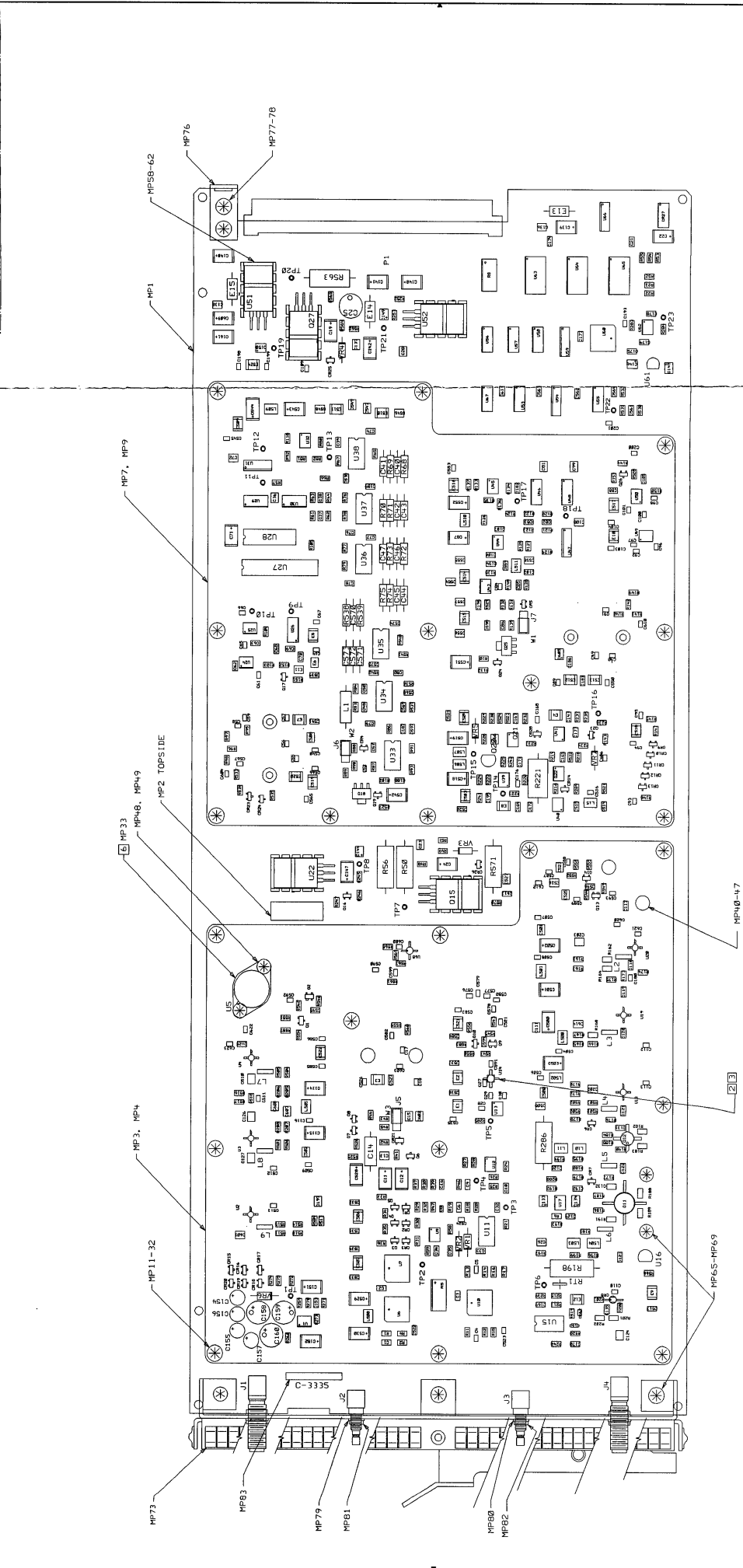
Reference Designator	HP Part Number	Qty	Description	Mfr Code	Mfr Part Number
U9	1826-1810	1	IC OP AMP LOW-BIAS-H-IMPED SINGLE 8 PIN	28480	1826-1810
U10	1820-5629	1	IC FF ECL/10KH D-M/S POS-EDGE-TRIG	28480	1820-5629
U11	1826-1328	1	IC OP AMP LOW-NOISE DUAL 8 PIN DIP-P	28480	1826-1328
U12	1826-1572	1	IC COMPARATOR PRCN DUAL 8 PIN PLSTC-SOIC	28480	1826-1572
U13	1820-7311	1	IC PRESCR ECL	28480	1820-7311
U14	1826-2224	1	IC ECL DIV-X-4 BFR	28480	1826-2224
U15	1826-1844	1	IC OP AMP HS 8 PIN DIP-C	28480	1826-1844
U16	1826-1365	1	IC TEMP XDCR 3 PIN TO-92	28480	1826-1365
U17	1826-1912	1	IC OP AMP H-SLEW-RATE DUAL 8 PIN	28480	1826-1912
U18	1826-2168	1	IC RF/IF AMPL HIGH-GAIN SINGLE 4 PIN	28480	1826-2168
U19	1826-2175	1	IC RF/IF AMPL SINGLE 4 PIN U-WAVE-PILL	28480	1826-2175
U20	1826-2175	1	IC RF/IF AMPL SINGLE 4 PIN U-WAVE-PILL	28480	1826-2175
U21	0955-0588	1	U-WAVE MIXER 3.8 GHZ MAX	02686	WJ-M2G-8
U22	1826-0393	1	IC PWR MGT-V-REG-ADJ-POS 1.2/37V 3 PINS	28480	1826-0393
U23	1813-0825	1	U-WAVE 2.4 GHZ MAX	03291	VO90-3177
U24	1820-6957	1	IC PRESCR ECL	28480	1820-6957
U25	1820-7311	1	IC PRESCR ECL	28480	1820-7311
U26	1820-5951	1	IC GATE CMOS/AC AND QUAD 2-INP	28480	1820-5951
U27	08711-80011	1	PAL-U27 IC PRGM	28480	08711-80011
U28	1820-2096	1	IC CNTR TTL/LS BIN ASYNCHRO	28480	1820-2096
U29	1820-4291	1	IC GATE TTL/ALS NAND QUAD 2-INP	28480	1820-4291
U30	1820-4275	1	IC FF TTL/ALS D-TYPE POS-EDGE-TRIG	28480	1820-4275
U31	1820-6158	1	IC CNTR TTL/F BIN SYNCHRO POS-EDGE-TRIG	28480	1820-6158
U32	1826-1572	1	IC COMPARATOR PRCN DUAL 8 PIN PLSTC-SOIC	28480	1826-1572
U33	1826-1328	1	IC OP AMP LOW-NOISE DUAL 8 PIN DIP-P	28480	1826-1328
U34	1826-1328	1	IC OP AMP LOW-NOISE DUAL 8 PIN DIP-P	28480	1826-1328
U35	1826-1328	1	IC OP AMP LOW-NOISE DUAL 8 PIN DIP-P	28480	1826-1328
U36	1826-1328	1	IC OP AMP LOW-NOISE DUAL 8 PIN DIP-P	28480	1826-1328
U37	1826-1328	1	IC OP AMP LOW-NOISE DUAL 8 PIN DIP-P	28480	1826-1328
U38	1826-1328	1	IC OP AMP LOW-NOISE DUAL 8 PIN DIP-P	28480	1826-1328
U39	1826-1912	1	IC OP AMP H-SLEW-RATE DUAL 8 PIN	28480	1826-1912
U40	1826-2146	1	IC OP AMP PRCN SINGLE 8 PIN PLSTC-SOIC	28480	1826-2146
U41	1826-1912	1	IC OP AMP H-SLEW-RATE DUAL 8 PIN	28480	1826-1912
U42	1813-0825	1	U-WAVE 2.4 GHZ MAX	03291	VO90-3177
U43	1826-1912	1	IC OP AMP H-SLEW-RATE DUAL 8 PIN	28480	1826-1912

*\*Indicates factory-selected value*

**HP Part Number 08712-60004**  
**Source (8711C/12C/30A) (continued)**

Reference Designator	HP Part Number	Qty	Description	Mfr Code	Mfr Part Number
U44	1826-2144	1	IC OP AMP LOW-NOISE SINGLE 8 PIN	28480	1826-2144
U45	1826-1572	1	IC COMPARATOR PRCN DUAL 8 PIN PLSTC-SOIC	28480	1826-1572
U46	1820-5937	1	IC FF CMOS/AC D-TYPE POS-EDGE-TRIG	28480	1820-5937
U47	1820-7218	1	IC CNTR CMOS/AC BIN SYNCHRO	28480	1820-7218
U48	1820-5938	1	IC GATE CMOS/ACT NAND QUAD 2-INP	28480	1820-5938
U49	1820-6957	1	IC PRESCR ECL	28480	1820-6957
U50	1820-7311	1	IC PRESCR ECL	28480	1820-7311
U51	1826-0221	1	IC PWR MGT-V-REG-FXD-NEG -11.5/-12.5V	28480	1826-0221
U52	1826-0393	1	IC PWR MGT-V-REG-ADJ-POS 1.2/37V 3 PINS	28480	1826-0393
U53	1820-4275	1	IC FF TTL/ALS D-TYPE POS-EDGE-TRIG	28480	1820-4275
U54	1820-6158	1	IC CNTR TTL/F BIN SYNCHRO POS-EDGE-TRIG	28480	1820-6158
U55	1820-4291	1	IC GATE TTL/ALS NAND QUAD 2-INP	28480	1820-4291
U56	1820-4966	1	IC FF CMOS/HC D-TYPE POS-EDGE-TRIG	28480	1820-4966
U57	1820-4692	1	IC GATE CMOS/HC NAND QUAD 2-INP	28480	1820-4692
U58	1820-4966	1	IC FF CMOS/HC D-TYPE POS-EDGE-TRIG	28480	1820-4966
U59	1826-2147	1	ANALOG MULTIPLEXER 8 CHNL 16 -P-SOIC	28480	1826-2147
U60	1826-2404	1	D/A 12-BIT 20-PLCC CMOS	28480	1826-2404
U61	1826-1646	1	IC PWR MGT-V-REG-FXD-POS 4.975/5.025V	28480	1826-1646
U62	1826-1912	1	IC OP AMP H-SLEW-RATE DUAL 8 PIN	28480	1826-1912
U63	1820-5732	1	IC LCH CMOS/HC D-TYPE OCTL	28480	1820-5732
U64	1820-5808	1	IC FF CMOS/HC D-TYPE POS-EDGE-TRIG COM	28480	1820-5808
U65	1820-5808	1	IC FF CMOS/HC D-TYPE POS-EDGE-TRIG COM	28480	1820-5808
U66	1820-4215	1	IC DCDR-DEMURX CMOS/HC BIN 3-TO-8-LINE	28480	1820-4215
U67	1820-4291	1	IC GATE TTL/ALS NAND QUAD 2-INP	28480	1820-4291
U68	1826-2496	1	IC RF/IF AMPL GP 4 PIN U-WAVE-PILL	28480	1826-2496
VR1	1902-0029	1	DIODE-ZNR 12V 5% PD=1W IR=5UA	28480	1902-0029
VR2	1902-0955	1	DIODE-ZNR 7.5V 5% DO-35 PD=.4W TC=+.062%	28480	1902-0955
VR3	1902-0953	1	DIODE-ZNR 6.2V 5% DO-35 PD=.4W TC=+.053%	28480	1902-0953
VR4	1902-0953	1	DIODE-ZNR 6.2V 5% DO-35 PD=.4W TC=+.053%	28480	1902-0953
VR5	1902-0950	1	DIODE-ZNR 4.7V 5% DO-35 PD=.4W TC=+.025%	28480	1902-0950
VR6	1902-0176	1	DIODE-ZNR 47V 5% PD=1W IR=5UA	28480	1902-0176
VR7	1902-0958	1	DIODE-ZNR 10V 5% DO-35 PD=.4W TC=+.075%	28480	1902-0958
W1	1258-0141	1	JUMPER-REMOVABLE FOR 0.025 IN SQ PINS	01380	530153-2
W2	1258-0141	1	JUMPER-REMOVABLE FOR 0.025 IN SQ PINS	01380	530153-2
W3	1258-0141	1	JUMPER-REMOVABLE FOR 0.025 IN SQ PINS	01380	530153-2

S 380		REVISED		DATE	
SYN	AS ISSUED	ZJE			
APPROVED					
DATE					



**TOP SIDE**

SEE 08712-60004 MATERIAL LIST

**UNLESS OTHERWISE SPECIFIED:**  
 DIMENSIONS: XX.XXX ±.010  
 TOLERANCES: XX.XX ±.02  
 FINISH: POLYIMIDE  
 PROTECTION: PROTECTIVE COATING  
 DO NOT SCALE THIS DRAWING

**HP PROPRIETARY**  
 THIS DOCUMENT CONTAINS CONFIDENTIAL  
 INFORMATION. IT IS TO BE KEPT  
 UNDER STRICT CONTROL AND IS  
 NOT TO BE DISCLOSED OR REPRODUCED  
 WITHOUT EXPRESS AUTHORIZATION BY HP.

DESIGNED BY	DATE	ASSEMBLY, PWB	DATE
DESIGNED BY	DATE	SOURCE	DATE
RELEASE TO PROD.	DATE		DATE
DATE			

TITLE  
D-08712-60004-2

- NOTES: UNLESS OTHERWISE SPECIFIED**
- USE RAW BOARD PART NUMBER 08711-20104
  - SOLDER FLOW ON U14, PIN 3, MUST BE CONTINUOUS FROM BODY TO LEAD TERMINATION
  - MASK AREAS INDICATED BY CROSS HATCHING OR REFERENCE DESIGNATOR BEFORE FLOW SOLDER PROCESS. BOTTOM SIDE
  - THE FOLLOWING ARE PARTS THAT INTENTIONALLY VIOLATE PART TO PART SPACING RULES:  
 C28 TO U13; C27 TO U14; R203 TO CR8; R200 TO CR8; C135 TO R201 & R202;  
 C97 TO U49; C17 TO U8; C594 TO R56; C90 TO U42; C595 TO R546; C596 TO Q14 & R544;
  - THE FOLLOWING ARE PARTS THAT ARE INTENTIONALLY PLACED ON TOP OF A VIA:  
 C27, C594, C595, C596, 02, 09, 011, 012, 013, R99, R100, U14
  - MAXIMUM LEAD LENGTH ON U8, U9, AND U21 TO BE .060 INCHES

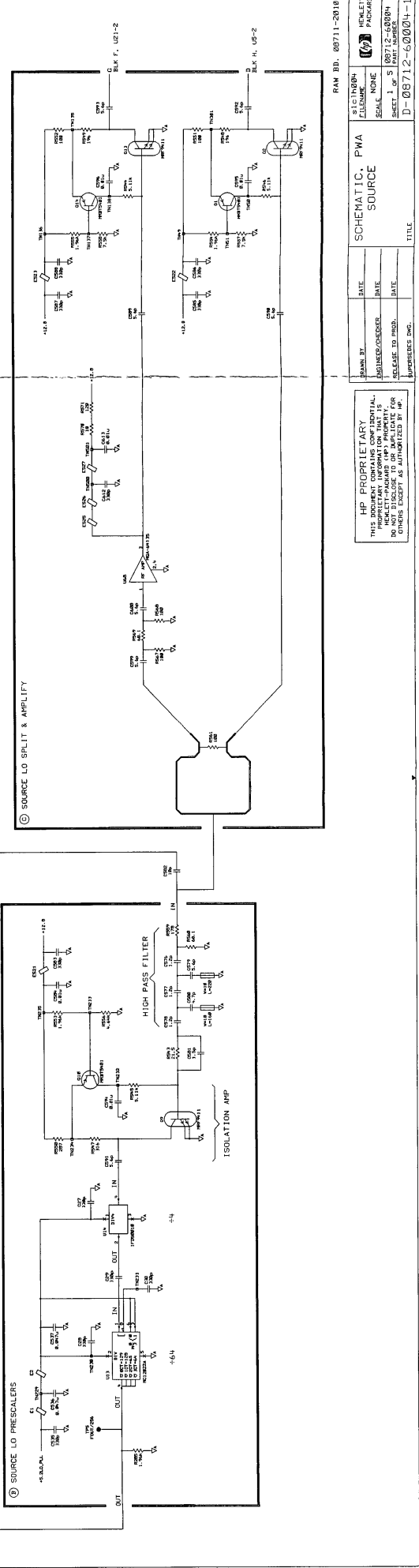
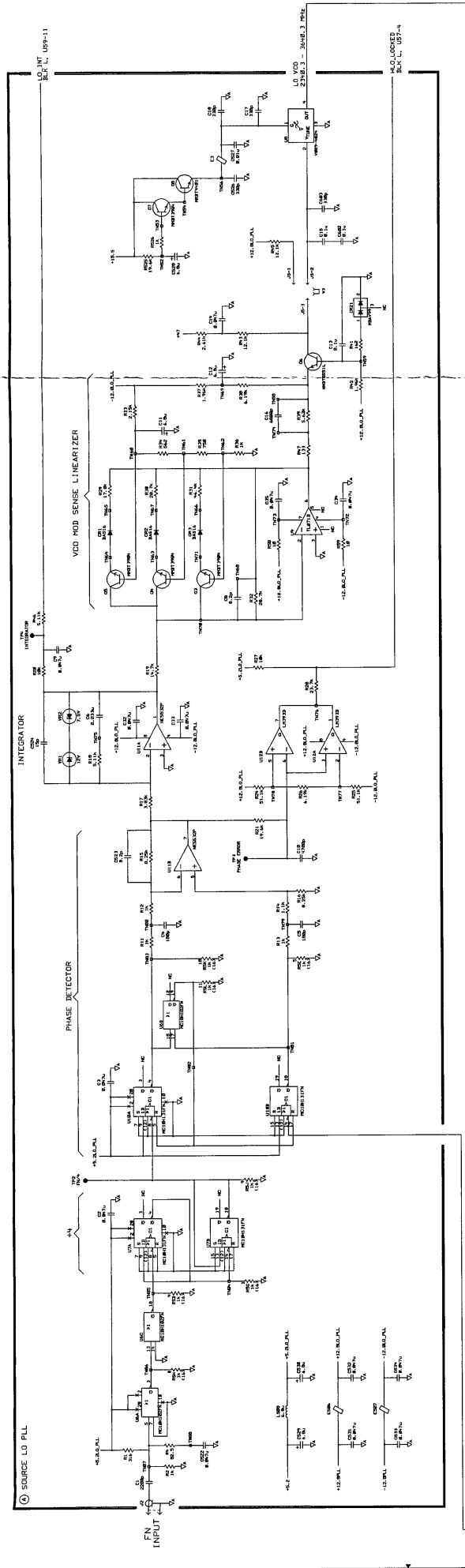


5300 BC3335  
 APPROVED  
 2-23-58  
 12-97-55

REVISIONS  
 A. AS ISSUED  
 B. CHANGED PER P.O. 53-89223 /DH

D-08712-60004-1  
 APPROVED  
 2-23-58  
 12-97-55

NOTES: UNLESS OTHERWISE SPECIFIED,  
 1. ALL DIMENSIONS UNLESS OTHERWISE STATED.  
 2. ALL DIMENSIONS UNLESS OTHERWISE STATED.

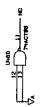
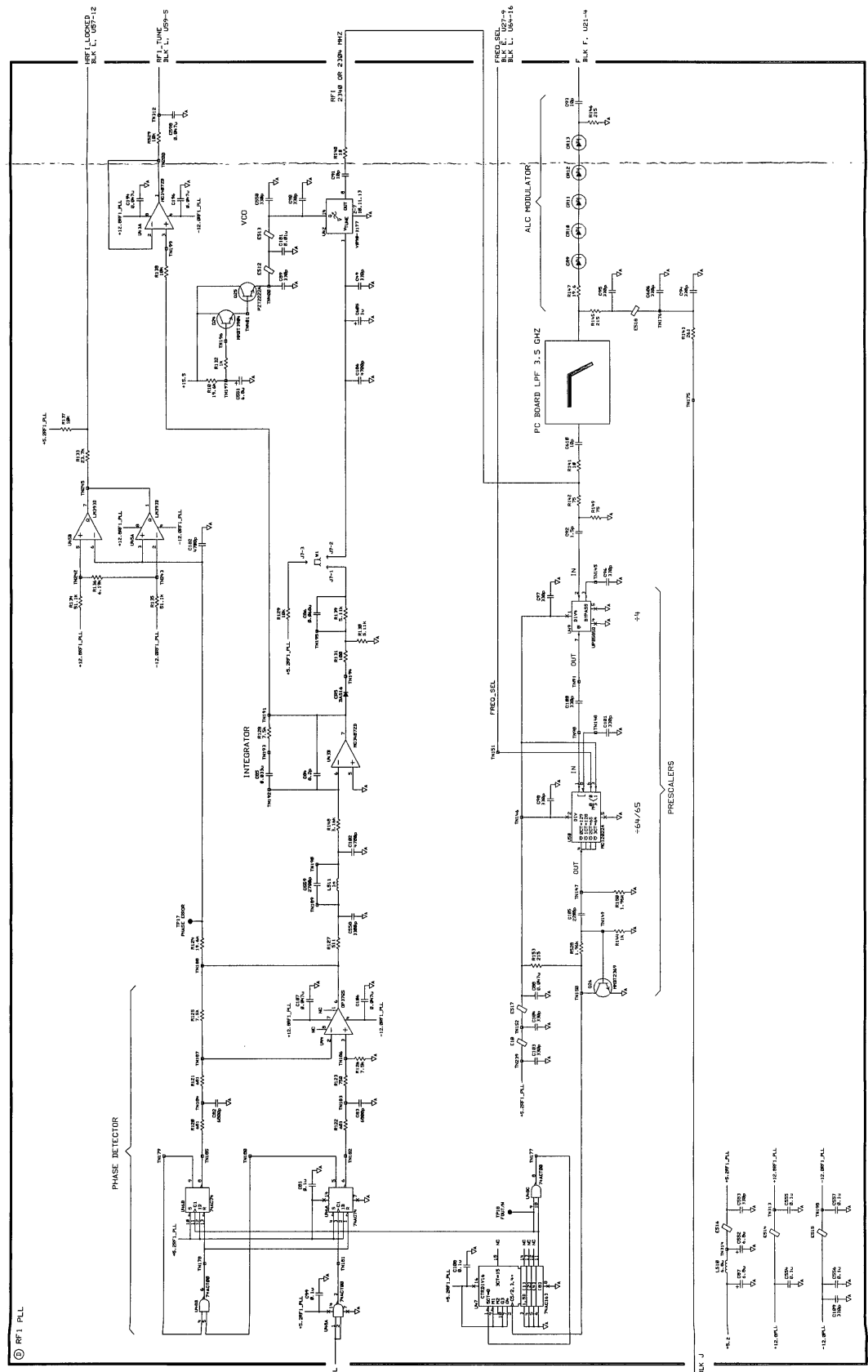


RAW BD. 08711-20184  
 Schematic, PWA SOURCE  
 DATE: \_\_\_\_\_  
 DRAWN BY: \_\_\_\_\_  
 CHECKED BY: \_\_\_\_\_  
 APPROVED BY: \_\_\_\_\_  
 TITLE: \_\_\_\_\_

HP PROPRIETARY  
 THIS DOCUMENT CONTAINS PROPRIETARY INFORMATION.  
 NO PART OF THIS DOCUMENT IS TO BE REPRODUCED OR TRANSMITTED IN ANY FORM OR BY ANY MEANS, ELECTRONIC OR MECHANICAL, INCLUDING PHOTOCOPYING, RECORDING, OR BY ANY INFORMATION STORAGE AND RETRIEVAL SYSTEM, WITHOUT PERMISSION IN WRITING FROM HP.

D-08712-60004-1  
 APPROVED  
 2-23-58  
 12-97-55

S388 BC 3335		REVIEWS		D-08712-60004-1	
SYN	ISSUED	DATE	BY	DATE	BY
B	CHANGED PER	PCD 53-08223	JGH	12-87-95	



DATE	BY	DATE	BY
12-87-95			

DESIGNED BY	DATE
ENGINEER/CHECKER	DATE
RELEASE TO PROD.	DATE
SUPPLIERS INC.	

HP PROPRIETARY  
 THIS DOCUMENT CONTAINS CONFIDENTIAL  
 INFORMATION. IT IS THE PROPERTY OF  
 HEWLETT-PACKARD AND IS NOT TO BE  
 REPRODUCED OR DISSEMINATED IN ANY  
 MANNER WITHOUT THE EXPRESS WRITTEN  
 PERMISSION OF HEWLETT-PACKARD.

FILE NAME	SCHEMATIC_PWA
SCALE	NONE
SHEET 2 OF 5	08712-60004
DATE	12-87-95

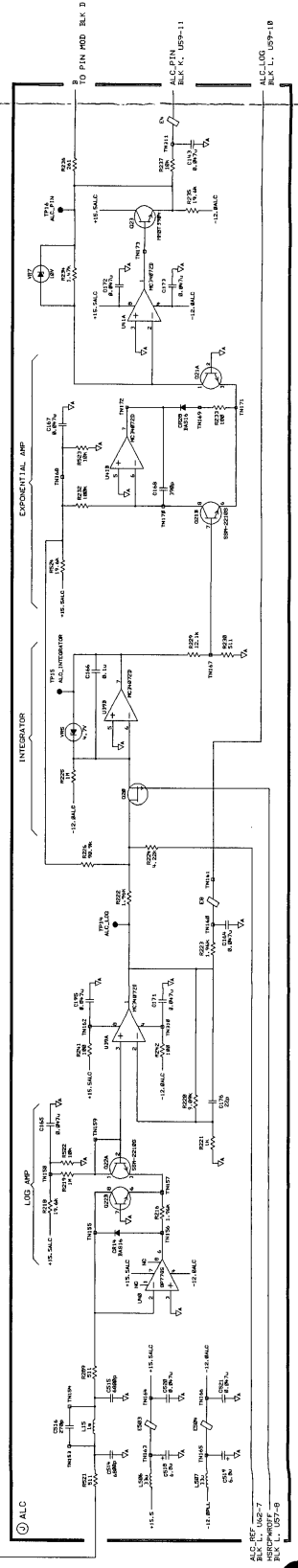
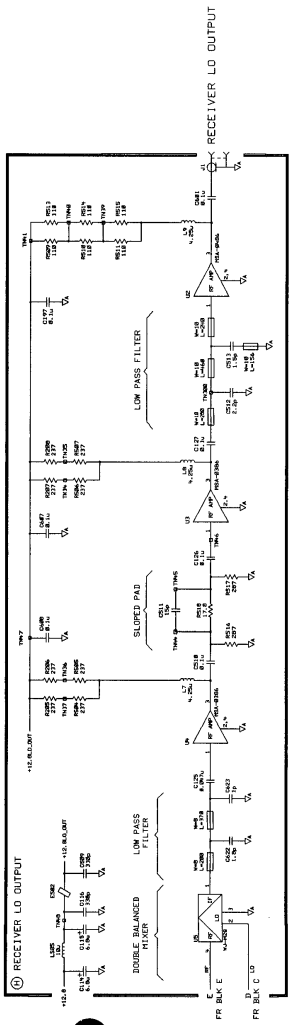
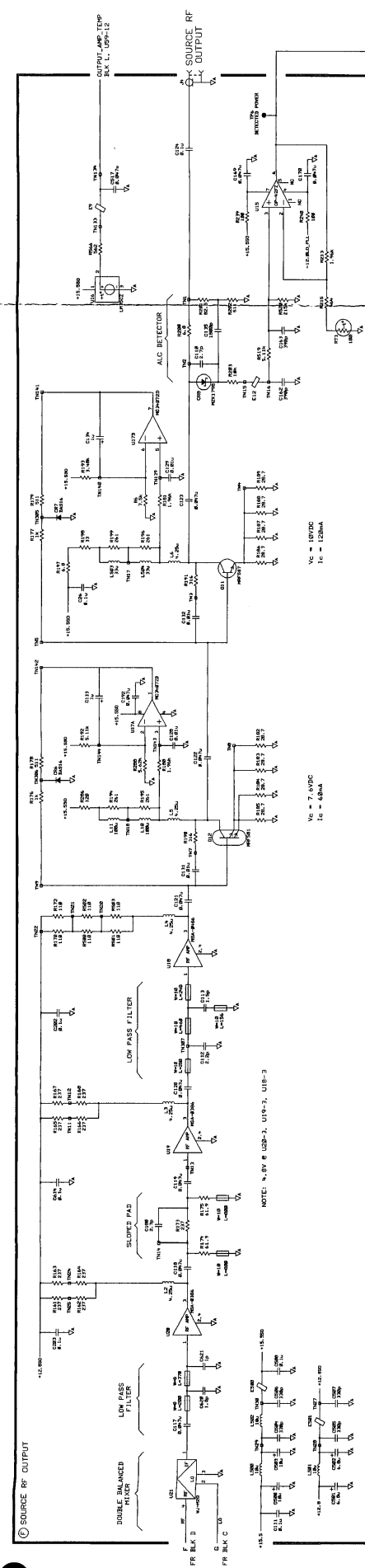
RAW NO.	08711-28104
TITLE	SCHEMATIC_PWA SOURCE

DATE	BY	DATE	BY
12-87-95			





5300	BC3335	D-08712-60004-1
DATE	REVISIONS	APPROVED
A	AS ISSUED	/J/E
B	CHANGED PER MOD 53-09223-7081	
		12-87-95



RAW BD. 89711-20184	DATE	APPROVED
DESIGNER	DATE	
DRAWN BY	DATE	
DESIGNED/DESIGNED	DATE	
RELEASE TO PROD.	DATE	
SUPPLEMENTARY	DATE	

HP PROPRIETARY  
THIS DOCUMENT CONTAINS CONFIDENTIAL  
INFORMATION. ANY REPRODUCTION  
OR DISSEMINATION OF THIS DOCUMENT  
WITHOUT EXPRESS WRITTEN PERMISSION  
FROM HP IS PROHIBITED.

SCHEMATIC, PWA  
NOISE  
PACKARD  
89712-60004  
SHEET 4 OF 5  
PART NUMBER  
D-08712-60004-1



**Component-Level Information Packet  
for 08713-60051**

**Source (8713C/14C)**



**Agilent Technologies**

**Part No. 08712-90099  
Printed in USA December 1997**

**Notice.** The information contained in this document is subject to change without notice.

Hewlett-Packard makes no warranty of any kind with regard to this material, including, but not limited to, the implied warranties of merchantability and fitness for a particular purpose. Hewlett-Packard shall not be liable for errors contained herein or for incidental or consequential damages in connection with the furnishing, performance, or use of this material.

©Copyright Hewlett-Packard Company 1998

All Rights Reserved. Reproduction, adaptation, or translation without prior written permission is prohibited, except as allowed under the copyright laws.

**HP Part Number 08713-60051**  
**Source (8713C/14C)**

Reference Designator	HP Part Number	Qty	Description	Mfr Code	Mfr Part Number
C1	0160-6104	1	CAP-FXD 2200pF +-5% 50 V CER C0G	28480	0160-6104
C2	0160-5975	1	CAP-FXD 10pF +-5% 50 V CER C0G	28480	0160-5975
C3	0160-5944	1	CAP-FXD 0.047uF +-10% 50 V CER X7R	28480	0160-5944
C4	0160-5964	1	CAP-FXD 180pF +-5% 50 V CER C0G	28480	0160-5964
C5	0160-5964	1	CAP-FXD 180pF +-5% 50 V CER C0G	28480	0160-5964
C6	0160-6727	1	CAP-FXD 0.033uF +-10% 50 V CER X7R	28480	0160-6727
C7	0160-5975	1	CAP-FXD 10pF +-5% 50 V CER C0G	28480	0160-5975
C8	0160-5974	1	CAP-FXD 8.2pF +-6.1% 50 V CER C0G	28480	0160-5974
C9	0160-5944	1	CAP-FXD 0.047uF +-10% 50 V CER X7R	28480	0160-5944
C10	0160-5975	1	CAP-FXD 10pF +-5% 50 V CER C0G	28480	0160-5975
C12	0180-3753	1	CAP-FXD 6.8uF +-20% 35 V TA	28480	0180-3753
C13	0160-6222	1	CAP-FXD 0.1uF +-10% 50 V CER X7R	28480	0160-6222
C14	0160-5944	1	CAP-FXD 0.047uF +-10% 50 V CER X7R	28480	0160-5944
C15	0160-5944	1	CAP-FXD 0.047uF +-10% 50 V CER X7R	28480	0160-5944
C16	0160-6735	1	CAP-FXD 4700pF +-10% 50 V CER X7R	28480	0160-6735
C17	0160-5952	1	CAP-FXD 330pF +-5% 50 V CER C0G	28480	0160-5952
C18	0160-5952	1	CAP-FXD 330pF +-5% 50 V CER C0G	28480	0160-5952
C19	0160-5975	1	CAP-FXD 10pF +-5% 50 V CER C0G	28480	0160-5975
C20	0160-6222	1	CAP-FXD 0.1uF +-10% 50 V CER X7R	28480	0160-6222
C21	0160-5944	1	CAP-FXD 0.047uF +-10% 50 V CER X7R	28480	0160-5944
C23	0160-6222	1	CAP-FXD 0.1uF +-10% 50 V CER X7R	28480	0160-6222
C24	0180-3753	1	CAP-FXD 6.8uF +-20% 35 V TA	28480	0180-3753
C25	0160-5975	1	CAP-FXD 10pF +-5% 50 V CER C0G	28480	0160-5975
C26	0160-5975	1	CAP-FXD 10pF +-5% 50 V CER C0G	28480	0160-5975
C27	0160-5952	1	CAP-FXD 330pF +-5% 50 V CER C0G	28480	0160-5952
C28	0160-5952	1	CAP-FXD 330pF +-5% 50 V CER C0G	28480	0160-5952
C29	0160-5952	1	CAP-FXD 330pF +-5% 50 V CER C0G	28480	0160-5952
C30	0160-5952	1	CAP-FXD 330pF +-5% 50 V CER C0G	28480	0160-5952
C31	0160-5975	1	CAP-FXD 10pF +-5% 50 V CER C0G	28480	0160-5975
C32	0160-5944	1	CAP-FXD 0.047uF +-10% 50 V CER X7R	28480	0160-5944
C33	0160-5944	1	CAP-FXD 0.047uF +-10% 50 V CER X7R	28480	0160-5944
C34	0160-5944	1	CAP-FXD 0.047uF +-10% 50 V CER X7R	28480	0160-5944
C35	0160-5944	1	CAP-FXD 0.047uF +-10% 50 V CER X7R	28480	0160-5944
C36	0160-5944	1	CAP-FXD 0.047uF +-10% 50 V CER X7R	28480	0160-5944
C37	0160-6100	1	CAP-FXD 1000pF +-5% 50 V CER C0G	28480	0160-6100

*\*Indicates factory-selected value*

**HP Part Number 08713-60051**  
**Source (8713C/14C) (continued)**

Reference Designator	HP Part Number	Qty	Description	Mfr Code	Mfr Part Number
C38	0160-6100	1	CAP-FXD 1000pF +-5% 50 V CER C0G	28480	0160-6100
C39	0160-5952	1	CAP-FXD 330pF +-5% 50 V CER C0G	28480	0160-5952
C40	0160-5952	1	CAP-FXD 330pF +-5% 50 V CER C0G	28480	0160-5952
C41	0160-5952	1	CAP-FXD 330pF +-5% 50 V CER C0G	28480	0160-5952
C42	0160-5952	1	CAP-FXD 330pF +-5% 50 V CER C0G	28480	0160-5952
C43	0160-5952	1	CAP-FXD 330pF +-5% 50 V CER C0G	28480	0160-5952
C44	0160-5952	1	CAP-FXD 330pF +-5% 50 V CER C0G	28480	0160-5952
C45	0160-5952	1	CAP-FXD 330pF +-5% 50 V CER C0G	28480	0160-5952
C46	0160-5952	1	CAP-FXD 330pF +-5% 50 V CER C0G	28480	0160-5952
C49	0160-5952	1	CAP-FXD 330pF +-5% 50 V CER C0G	28480	0160-5952
C50	0160-5975	1	CAP-FXD 10pF +-5% 50 V CER C0G	28480	0160-5975
C51	0160-7847	1	CAP-FXD 2.2pF +-11.36% 50 V CER C0G	28480	0160-7847
C52	0160-5974	1	CAP-FXD 8.2pF +-6.1% 50 V CER C0G	28480	0160-5974
C53	0160-5944	1	CAP-FXD 0.047uF +-10% 50 V CER X7R	28480	0160-5944
C54	0160-7847	1	CAP-FXD 2.2pF +-11.36% 50 V CER C0G	28480	0160-7847
C55	0160-5952	1	CAP-FXD 330pF +-5% 50 V CER C0G	28480	0160-5952
C56	0160-5952	1	CAP-FXD 330pF +-5% 50 V CER C0G	28480	0160-5952
C57	0160-5952	1	CAP-FXD 330pF +-5% 50 V CER C0G	28480	0160-5952
C58	0160-5975	1	CAP-FXD 10pF +-5% 50 V CER C0G	28480	0160-5975
C59	0160-5979	1	CAP-FXD 1.5pF +-16.67% 50 V CER C0G	28480	0160-5979
C60	0160-5975	1	CAP-FXD 10pF +-5% 50 V CER C0G	28480	0160-5975
C61	0160-5952	1	CAP-FXD 330pF +-5% 50 V CER C0G	28480	0160-5952
C62	0160-5952	1	CAP-FXD 330pF +-5% 50 V CER C0G	28480	0160-5952
C63	0160-5952	1	CAP-FXD 330pF +-5% 50 V CER C0G	28480	0160-5952
C64	0160-5952	1	CAP-FXD 330pF +-5% 50 V CER C0G	28480	0160-5952
C65	0160-5952	1	CAP-FXD 330pF +-5% 50 V CER C0G	28480	0160-5952
C66	0160-5952	1	CAP-FXD 330pF +-5% 50 V CER C0G	28480	0160-5952
C67	0160-5952	1	CAP-FXD 330pF +-5% 50 V CER C0G	28480	0160-5952
C68	0160-6104	1	CAP-FXD 2200pF +-5% 50 V CER C0G	28480	0160-6104
C69	0160-5944	1	CAP-FXD 0.047uF +-10% 50 V CER X7R	28480	0160-5944
C71	0160-7847	1	CAP-FXD 2.2pF +-11.36% 50 V CER C0G	28480	0160-7847
C72	0160-7847	1	CAP-FXD 2.2pF +-11.36% 50 V CER C0G	28480	0160-7847
C73	0160-7847	1	CAP-FXD 2.2pF +-11.36% 50 V CER C0G	28480	0160-7847
C74	0160-7776	1	CAP-FXD 3.9pF +-6.4% 50 V CER C0G	28480	0160-7776
C75	0160-7860	1	CAP-FXD 4.7pF +-5.31% 50 V CER C0G	28480	0160-7860

**HP Part Number 08713-60051  
Source (8713C/14C) (continued)**

Reference Designator	HP Part Number	Qty	Description	Mfr Code	Mfr Part Number
C76	0160-5952	1	CAP-FXD 330pF +-5% 50 V CER C0G	28480	0160-5952
C81	0160-5944	1	CAP-FXD 0.047uF +-10% 50 V CER X7R	28480	0160-5944
C82	0160-6100	1	CAP-FXD 1000pF +-5% 50 V CER C0G	28480	0160-6100
C83	0160-6100	1	CAP-FXD 1000pF +-5% 50 V CER C0G	28480	0160-6100
C84	0160-5974	1	CAP-FXD 8.2pF +-6.1% 50 V CER C0G	28480	0160-5974
C85	0160-5944	1	CAP-FXD 0.047uF +-10% 50 V CER X7R	28480	0160-5944
C86	0160-7333	1	CAP-FXD 0.068uF +-10% 50 V CER X7R	28480	0160-7333
C87	0160-5952	1	CAP-FXD 330pF +-5% 50 V CER C0G	28480	0160-5952
C88	0160-5944	1	CAP-FXD 0.047uF +-10% 50 V CER X7R	28480	0160-5944
C89	0160-5952	1	CAP-FXD 330pF +-5% 50 V CER C0G	28480	0160-5952
C90	0160-5952	1	CAP-FXD 330pF +-5% 50 V CER C0G	28480	0160-5952
C91	0160-5975	1	CAP-FXD 10pF +-5% 50 V CER C0G	28480	0160-5975
C92	0160-5979	1	CAP-FXD 1.5pF +-16.67% 50 V CER C0G	28480	0160-5979
C93	0160-5957	1	CAP-FXD 47pF +-5% 50 V CER C0G	28480	0160-5957
C94	0160-7856	1	CAP-FXD 330pF +-10% 50 V CER X7R	28480	0160-7856
C95	0160-7856	1	CAP-FXD 330pF +-10% 50 V CER X7R	28480	0160-7856
C96	0160-5952	1	CAP-FXD 330pF +-5% 50 V CER C0G	28480	0160-5952
C97	0160-5952	1	CAP-FXD 330pF +-5% 50 V CER C0G	28480	0160-5952
C98	0160-5952	1	CAP-FXD 330pF +-5% 50 V CER C0G	28480	0160-5952
C100	0160-5952	1	CAP-FXD 330pF +-5% 50 V CER C0G	28480	0160-5952
C101	0160-5952	1	CAP-FXD 330pF +-5% 50 V CER C0G	28480	0160-5952
C102	0160-6735	1	CAP-FXD 4700pF +-10% 50 V CER X7R	28480	0160-6735
C103	0160-5952	1	CAP-FXD 330pF +-5% 50 V CER C0G	28480	0160-5952
C104	0160-5952	1	CAP-FXD 330pF +-5% 50 V CER C0G	28480	0160-5952
C105	0160-6104	1	CAP-FXD 2200pF +-5% 50 V CER C0G	28480	0160-6104
C106	0160-5944	1	CAP-FXD 0.047uF +-10% 50 V CER X7R	28480	0160-5944
C107	0160-5944	1	CAP-FXD 0.047uF +-10% 50 V CER X7R	28480	0160-5944
C108	0160-5944	1	CAP-FXD 0.047uF +-10% 50 V CER X7R	28480	0160-5944
C109	0160-5944	1	CAP-FXD 0.047uF +-10% 50 V CER X7R	28480	0160-5944
C110	0160-5944	1	CAP-FXD 0.047uF +-10% 50 V CER X7R	28480	0160-5944
C111	0160-6736	1	CAP-FXD 0.01uF +-10% 50 V CER X7R	28480	0160-6736
C112	0160-6728	1	CAP-FXD 0.022uF +-10% 50 V CER X7R	28480	0160-6728
C113	0160-5944	1	CAP-FXD 0.047uF +-10% 50 V CER X7R	28480	0160-5944
C114	0160-5944	1	CAP-FXD 0.047uF +-10% 50 V CER X7R	28480	0160-5944
C115	0160-6728	1	CAP-FXD 0.022uF +-10% 50 V CER X7R	28480	0160-6728

*\*Indicates factory-selected value*



**HP Part Number 08713-60051**  
**Source (8713C/14C) (continued)**

Reference Designator	HP Part Number	Qty	Description	Mfr Code	Mfr Part Number
C120	0160-5975	1	CAP-FXD 10pF +-5% 50 V CER C0G	28480	0160-5975
C121	0160-5952	1	CAP-FXD 330pF +-5% 50 V CER C0G	28480	0160-5952
C122	0160-5952	1	CAP-FXD 330pF +-5% 50 V CER C0G	28480	0160-5952
C123	0160-7751	1	CAP-FXD 0.01uF +-10% 50 V CER X7R	28480	0160-7751
C125	0180-3751	1	CAP-FXD 1uF +-20% 35 V TA	28480	0180-3751
C126	0180-3749	1	CAP-FXD 0.22uF +-20% 35 V TA	28480	0180-3749
C127	0180-3751	1	CAP-FXD 1uF +-20% 35 V TA	28480	0180-3751
C128	0160-6222	1	CAP-FXD 0.1uF +-10% 50 V CER X7R	28480	0160-6222
C137	0160-6222	1	CAP-FXD 0.1uF +-10% 50 V CER X7R	28480	0160-6222
C141	0180-3753	1	CAP-FXD 6.8uF +-20% 35 V TA	28480	0180-3753
C142	0180-3753	1	CAP-FXD 6.8uF +-20% 35 V TA	28480	0180-3753
C143	0160-5944	1	CAP-FXD 0.047uF +-10% 50 V CER X7R	28480	0160-5944
C144	0180-3751	1	CAP-FXD 1uF +-20% 35 V TA	28480	0180-3751
C145	0180-3751	1	CAP-FXD 1uF +-20% 35 V TA	28480	0180-3751
C146	0180-3751	1	CAP-FXD 1uF +-20% 35 V TA	28480	0180-3751
C147	0180-3749	1	CAP-FXD 0.22uF +-20% 35 V TA	28480	0180-3749
C148	0180-3753	1	CAP-FXD 6.8uF +-20% 35 V TA	28480	0180-3753
C149	0180-3751	1	CAP-FXD 1uF +-20% 35 V TA	28480	0180-3751
C150	0180-3751	1	CAP-FXD 1uF +-20% 35 V TA	28480	0180-3751
C156	0160-5944	1	CAP-FXD 0.047uF +-10% 50 V CER X7R	28480	0160-5944
C157	0160-5944	1	CAP-FXD 0.047uF +-10% 50 V CER X7R	28480	0160-5944
C159	0160-5944	1	CAP-FXD 0.047uF +-10% 50 V CER X7R	28480	0160-5944
C161	0180-3752	1	CAP-FXD 3.3uF +-20% 35 V TA	28480	0180-3752
C164	0160-5944	1	CAP-FXD 0.047uF +-10% 50 V CER X7R	28480	0160-5944
C165	0160-5944	1	CAP-FXD 0.047uF +-10% 50 V CER X7R	28480	0160-5944
C166	0160-6734	1	CAP-FXD 0.047uF +-10% 50 V CER X7R	28480	0160-6734
C167	0160-5944	1	CAP-FXD 0.047uF +-10% 50 V CER X7R	28480	0160-5944
C168	0160-5957	1	CAP-FXD 47pF +-5% 50 V CER C0G	28480	0160-5957
C169	0180-3751	1	CAP-FXD 1uF +-20% 35 V TA	28480	0180-3751
C170	0180-3751	1	CAP-FXD 1uF +-20% 35 V TA	28480	0180-3751
C171	0160-5944	1	CAP-FXD 0.047uF +-10% 50 V CER X7R	28480	0160-5944
C172	0160-5944	1	CAP-FXD 0.047uF +-10% 50 V CER X7R	28480	0160-5944
C173	0160-5944	1	CAP-FXD 0.047uF +-10% 50 V CER X7R	28480	0160-5944
C174	0160-5944	1	CAP-FXD 0.047uF +-10% 50 V CER X7R	28480	0160-5944
C175	0160-5944	1	CAP-FXD 0.047uF +-10% 50 V CER X7R	28480	0160-5944

**HP Part Number 08713-60051  
Source (8713C/14C) (continued)**

Reference Designator	HP Part Number	Qty	Description	Mfr Code	Mfr Part Number
C176	0160-5961	1	CAP-FXD 22pF +-5% 50 V CER C0G	28480	0160-5961
C177	0160-5944	1	CAP-FXD 0.047uF +-10% 50 V CER X7R	28480	0160-5944
C178	0160-5944	1	CAP-FXD 0.047uF +-10% 50 V CER X7R	28480	0160-5944
C179	0160-5944	1	CAP-FXD 0.047uF +-10% 50 V CER X7R	28480	0160-5944
C181	0160-6736	1	CAP-FXD 0.01uF +-10% 50 V CER X7R	28480	0160-6736
C184	0160-5944	1	CAP-FXD 0.047uF +-10% 50 V CER X7R	28480	0160-5944
C185	0160-5952	1	CAP-FXD 330pF +-5% 50 V CER C0G	28480	0160-5952
C186	0160-5952	1	CAP-FXD 330pF +-5% 50 V CER C0G	28480	0160-5952
C187	0160-5944	1	CAP-FXD 0.047uF +-10% 50 V CER X7R	28480	0160-5944
C188	0160-5944	1	CAP-FXD 0.047uF +-10% 50 V CER X7R	28480	0160-5944
C193	0160-5957	1	CAP-FXD 47pF +-5% 50 V CER C0G	28480	0160-5957
C195	0160-5944	1	CAP-FXD 0.047uF +-10% 50 V CER X7R	28480	0160-5944
C200	0160-5952	1	CAP-FXD 330pF +-5% 50 V CER C0G	28480	0160-5952
C201	0160-5952	1	CAP-FXD 330pF +-5% 50 V CER C0G	28480	0160-5952
C202	0160-5952	1	CAP-FXD 330pF +-5% 50 V CER C0G	28480	0160-5952
C203	0160-5944	1	CAP-FXD 0.047uF +-10% 50 V CER X7R	28480	0160-5944
C204	0160-5952	1	CAP-FXD 330pF +-5% 50 V CER C0G	28480	0160-5952
C206	0160-5952	1	CAP-FXD 330pF +-5% 50 V CER C0G	28480	0160-5952
C207	0160-5975	1	CAP-FXD 10pF +-5% 50 V CER C0G	28480	0160-5975
C208	0160-7751	1	CAP-FXD 0.01uF +-10% 50 V CER X7R	28480	0160-7751
C209	0160-7853	1	CAP-FXD 3.3pF +-7.6% 50 V CER C0G	28480	0160-7853
C210	0160-7853	1	CAP-FXD 3.3pF +-7.6% 50 V CER C0G	28480	0160-7853
C211	0160-7853	1	CAP-FXD 3.3pF +-7.6% 50 V CER C0G	28480	0160-7853
C212	0160-7853	1	CAP-FXD 3.3pF +-7.6% 50 V CER C0G	28480	0160-7853
C215	0160-5952	1	CAP-FXD 330pF +-5% 50 V CER C0G	28480	0160-5952
C216	0160-5952	1	CAP-FXD 330pF +-5% 50 V CER C0G	28480	0160-5952
C217	0160-7835	1	CAP-FXD 100pF +-5% 50 V CER C0G	28480	0160-7835
C218	0160-7751	1	CAP-FXD 0.01uF +-10% 50 V CER X7R	28480	0160-7751
C219	0160-5944	1	CAP-FXD 0.047uF +-10% 50 V CER X7R	28480	0160-5944
C220	0160-7751	1	CAP-FXD 0.01uF +-10% 50 V CER X7R	28480	0160-7751
C221	0160-7751	1	CAP-FXD 0.01uF +-10% 50 V CER X7R	28480	0160-7751
C222	0160-7751	1	CAP-FXD 0.01uF +-10% 50 V CER X7R	28480	0160-7751
C223	0160-7751	1	CAP-FXD 0.01uF +-10% 50 V CER X7R	28480	0160-7751
C249	0160-6735	1	CAP-FXD 4700pF +-10% 50 V CER X7R	28480	0160-6735
C250	0160-6728	1	CAP-FXD 0.022uF +-10% 50 V CER X7R	28480	0160-6728

*\*Indicates factory-selected value*

**HP Part Number 08713-60051**  
**Source (8713C/14C) (continued)**

Reference Designator	HP Part Number	Qty	Description	Mfr Code	Mfr Part Number
C251	0160-5944	1	CAP-FXD 0.047uF +-10% 50 V CER X7R	28480	0160-5944
C252	0160-5944	1	CAP-FXD 0.047uF +-10% 50 V CER X7R	28480	0160-5944
C253	0160-6728	1	CAP-FXD 0.022uF +-10% 50 V CER X7R	28480	0160-6728
C254	0160-6736	1	CAP-FXD 0.01uF +-10% 50 V CER X7R	28480	0160-6736
C255	0160-7333	1	CAP-FXD 0.068uF +-10% 50 V CER X7R	28480	0160-7333
C256	0180-3751	1	CAP-FXD 1uF +-20% 35 V TA	28480	0180-3751
C257	0160-7751	1	CAP-FXD 0.01uF +-10% 50 V CER X7R	28480	0160-7751
C258	0160-7751	1	CAP-FXD 0.01uF +-10% 50 V CER X7R	28480	0160-7751
C259	0160-7853	1	CAP-FXD 3.3pF +-7.6% 50 V CER C0G	28480	0160-7853
C260	0160-5952	1	CAP-FXD 330pF +-5% 50 V CER C0G	28480	0160-5952
C261	0160-5952	1	CAP-FXD 330pF +-5% 50 V CER C0G	28480	0160-5952
C262	0160-5952	1	CAP-FXD 330pF +-5% 50 V CER C0G	28480	0160-5952
C263	0160-5944	1	CAP-FXD 0.047uF +-10% 50 V CER X7R	28480	0160-5944
C264	0160-5952	1	CAP-FXD 330pF +-5% 50 V CER C0G	28480	0160-5952
C266	0160-5952	1	CAP-FXD 330pF +-5% 50 V CER C0G	28480	0160-5952
C267	0160-5975	1	CAP-FXD 10pF +-5% 50 V CER C0G	28480	0160-5975
C268	0160-6736	1	CAP-FXD 0.01uF +-10% 50 V CER X7R	28480	0160-6736
C269	0160-7853	1	CAP-FXD 3.3pF +-7.6% 50 V CER C0G	28480	0160-7853
C270	0160-7853	1	CAP-FXD 3.3pF +-7.6% 50 V CER C0G	28480	0160-7853
C271	0160-7853	1	CAP-FXD 3.3pF +-7.6% 50 V CER C0G	28480	0160-7853
C272	0160-5952	1	CAP-FXD 330pF +-5% 50 V CER C0G	28480	0160-5952
C273	0160-5952	1	CAP-FXD 330pF +-5% 50 V CER C0G	28480	0160-5952
C274	0160-7751	1	CAP-FXD 0.01uF +-10% 50 V CER X7R	28480	0160-7751
C275	0160-5975	1	CAP-FXD 10pF +-5% 50 V CER C0G	28480	0160-5975
C280	0160-5952	1	CAP-FXD 330pF +-5% 50 V CER C0G	28480	0160-5952
C281	0160-5952	1	CAP-FXD 330pF +-5% 50 V CER C0G	28480	0160-5952
C282	0160-5952	1	CAP-FXD 330pF +-5% 50 V CER C0G	28480	0160-5952
C283	0160-5952	1	CAP-FXD 330pF +-5% 50 V CER C0G	28480	0160-5952
C284	0160-5952	1	CAP-FXD 330pF +-5% 50 V CER C0G	28480	0160-5952
C285	0160-5952	1	CAP-FXD 330pF +-5% 50 V CER C0G	28480	0160-5952
C286	0160-5952	1	CAP-FXD 330pF +-5% 50 V CER C0G	28480	0160-5952
C287	0160-5952	1	CAP-FXD 330pF +-5% 50 V CER C0G	28480	0160-5952
C294	0160-7751	1	CAP-FXD 0.01uF +-10% 50 V CER X7R	28480	0160-7751
C295	0160-7751	1	CAP-FXD 0.01uF +-10% 50 V CER X7R	28480	0160-7751
C296	0160-7751	1	CAP-FXD 0.01uF +-10% 50 V CER X7R	28480	0160-7751

**HP Part Number 08713-60051  
Source (8713C/14C) (continued)**

Reference Designator	HP Part Number	Qty	Description	Mfr Code	Mfr Part Number
C297	0160-7751	1	CAP-FXD 0.01uF +-10% 50 V CER X7R	28480	0160-7751
C298	0160-7751	1	CAP-FXD 0.01uF +-10% 50 V CER X7R	28480	0160-7751
C299	0160-5944	1	CAP-FXD 0.047uF +-10% 50 V CER X7R	28480	0160-5944
C300	0160-7918	1	CAP-FXD 1pF +-10% 150 V PORC	03553	ATC130A1R0BW150X
C301	0160-7831	1	CAP-FXD 1.2pF +-20.83% 50 V CER C0G	28480	0160-7831
C302	0160-7831	1	CAP-FXD 1.2pF +-20.83% 50 V CER C0G	28480	0160-7831
C303	0160-7918	1	CAP-FXD 1pF +-10% 150 V PORC	03553	ATC130A1R0BW150X
C304	0160-7919	1	CAP-FXD 1.2pF 150 V PORC	28480	0160-7919
C305	0160-7847	1	CAP-FXD 2.2pF +-11.36% 50 V CER C0G	28480	0160-7847
C306	0160-7847	1	CAP-FXD 2.2pF +-11.36% 50 V CER C0G	28480	0160-7847
C307	0160-7918	1	CAP-FXD 1pF +-10% 150 V PORC	03553	ATC130A1R0BW150X
C308	0160-7918	1	CAP-FXD 1pF +-10% 150 V PORC	03553	ATC130A1R0BW150X
C309	0160-7919	1	CAP-FXD 1.2pF 150 V PORC	28480	0160-7919
C310	0160-7919	1	CAP-FXD 1.2pF 150 V PORC	28480	0160-7919
C311	0160-7919	1	CAP-FXD 1.2pF 150 V PORC	28480	0160-7919
C312	0160-7919	1	CAP-FXD 1.2pF 150 V PORC	28480	0160-7919
C313	0160-7919	1	CAP-FXD 1.2pF 150 V PORC	28480	0160-7919
C314	0160-7919	1	CAP-FXD 1.2pF 150 V PORC	28480	0160-7919
C315	0160-7919	1	CAP-FXD 1.2pF 150 V PORC	28480	0160-7919
C316	0160-7919	1	CAP-FXD 1.2pF 150 V PORC	28480	0160-7919
C317	0160-7919	1	CAP-FXD 1.2pF 150 V PORC	28480	0160-7919
C318	0160-7919	1	CAP-FXD 1.2pF 150 V PORC	28480	0160-7919
C319	0160-7751	1	CAP-FXD 0.01uF +-10% 50 V CER X7R	28480	0160-7751
C320	0160-7751	1	CAP-FXD 0.01uF +-10% 50 V CER X7R	28480	0160-7751
C321	0160-7751	1	CAP-FXD 0.01uF +-10% 50 V CER X7R	28480	0160-7751
C322	0160-7751	1	CAP-FXD 0.01uF +-10% 50 V CER X7R	28480	0160-7751
C323	0160-7751	1	CAP-FXD 0.01uF +-10% 50 V CER X7R	28480	0160-7751
C324	0160-7751	1	CAP-FXD 0.01uF +-10% 50 V CER X7R	28480	0160-7751
C325	0160-7751	1	CAP-FXD 0.01uF +-10% 50 V CER X7R	28480	0160-7751
C327	0160-7751	1	CAP-FXD 0.01uF +-10% 50 V CER X7R	28480	0160-7751
C328	0160-7751	1	CAP-FXD 0.01uF +-10% 50 V CER X7R	28480	0160-7751
C329	0160-7751	1	CAP-FXD 0.01uF +-10% 50 V CER X7R	28480	0160-7751
C330	0160-7832	1	CAP-FXD 1.5pF +-16.67% 50 V CER C0G	28480	0160-7832
C333	0160-7751	1	CAP-FXD 0.01uF +-10% 50 V CER X7R	28480	0160-7751
C334	0160-7751	1	CAP-FXD 0.01uF +-10% 50 V CER X7R	28480	0160-7751

*\*Indicates factory-selected value*

**HP Part Number 08713-60051**  
**Source (8713C/14C) (continued)**

Reference Designator	HP Part Number	Qty	Description	Mfr Code	Mfr Part Number
C335	0160-7751	1	CAP-FXD 0.01uF +10% 50 V CER X7R	28480	0160-7751
C339	0160-7919	1	CAP-FXD 1.2pF 150 V PORC	28480	0160-7919
C340	0160-7751	1	CAP-FXD 0.01uF +10% 50 V CER X7R	28480	0160-7751
C341	0160-7751	1	CAP-FXD 0.01uF +10% 50 V CER X7R	28480	0160-7751
C342	0160-7751	1	CAP-FXD 0.01uF +10% 50 V CER X7R	28480	0160-7751
C343	0160-7751	1	CAP-FXD 0.01uF +10% 50 V CER X7R	28480	0160-7751
C345	0160-7751	1	CAP-FXD 0.01uF +10% 50 V CER X7R	28480	0160-7751
C346	0160-7751	1	CAP-FXD 0.01uF +10% 50 V CER X7R	28480	0160-7751
C350	0160-7751	1	CAP-FXD 0.01uF +10% 50 V CER X7R	28480	0160-7751
C351	0160-7847	1	CAP-FXD 2.2pF +-11.36% 50 V CER C0G	28480	0160-7847
C352	0160-7751	1	CAP-FXD 0.01uF +10% 50 V CER X7R	28480	0160-7751
C353	0160-5959	1	CAP-FXD 33pF +5% 50 V CER C0G	28480	0160-5959
C354	0160-5959	1	CAP-FXD 33pF +5% 50 V CER C0G	28480	0160-5959
C355	0160-7751	1	CAP-FXD 0.01uF +10% 50 V CER X7R	28480	0160-7751
C356	0160-7845	1	CAP-FXD 180pF +5% 50 V CER C0G	28480	0160-7845
C358	0180-3751	1	CAP-FXD 1uF +-20% 35 V TA	28480	0180-3751
C361	0160-5945	1	CAP-FXD 0.01uF +10% 50 V CER X7R	28480	0160-5945
C365	0160-7899	1	CAP-FXD 0.047uF +-10% 16 V CER X7R	28480	0160-7899
C369	0160-7832	1	CAP-FXD 1.5pF +-16.67% 50 V CER C0G	28480	0160-7832
C370	0160-7832	1	CAP-FXD 1.5pF +-16.67% 50 V CER C0G	28480	0160-7832
C371	0160-7853	1	CAP-FXD 3.3pF +-7.6% 50 V CER C0G	28480	0160-7853
C372	0160-7776	1	CAP-FXD 3.9pF +-6.4% 50 V CER C0G	28480	0160-7776
C373	0160-7848	1	CAP-FXD 2.7pF +-9.26% 50 V CER C0G	28480	0160-7848
C380	0180-3464	1	CAP-FXD 2.2uF +-20% 100 V AL-ELCTLT	28480	0180-3464
C381	0180-3464	1	CAP-FXD 2.2uF +-20% 100 V AL-ELCTLT	28480	0180-3464
C382	0180-3464	1	CAP-FXD 2.2uF +-20% 100 V AL-ELCTLT	28480	0180-3464
C383	0180-3751	1	CAP-FXD 1uF +-20% 35 V TA	28480	0180-3751
C384	0180-3751	1	CAP-FXD 1uF +-20% 35 V TA	28480	0180-3751
C385	0180-3751	1	CAP-FXD 1uF +-20% 35 V TA	28480	0180-3751
C386	0180-3751	1	CAP-FXD 1uF +-20% 35 V TA	28480	0180-3751
C387	0160-6102	1	CAP-FXD 1500pF +5% 50 V CER C0G	28480	0160-6102
C390	0160-7856	1	CAP-FXD 330pF +-10% 50 V CER X7R	28480	0160-7856
C391	0160-7751	1	CAP-FXD 0.01uF +10% 50 V CER X7R	28480	0160-7751
C392	0160-7751	1	CAP-FXD 0.01uF +10% 50 V CER X7R	28480	0160-7751
C393	0160-7751	1	CAP-FXD 0.01uF +10% 50 V CER X7R	28480	0160-7751

**HP Part Number 08713-60051  
Source (8713C/14C) (continued)**

Reference Designator	HP Part Number	Qty	Description	Mfr Code	Mfr Part Number
C394	0160-7751	1	CAP-FXD 0.01uF +-10% 50 V CER X7R	28480	0160-7751
C395	0160-7751	1	CAP-FXD 0.01uF +-10% 50 V CER X7R	28480	0160-7751
C396	0160-7751	1	CAP-FXD 0.01uF +-10% 50 V CER X7R	28480	0160-7751
C397	0160-7751	1	CAP-FXD 0.01uF +-10% 50 V CER X7R	28480	0160-7751
C398	0160-7751	1	CAP-FXD 0.01uF +-10% 50 V CER X7R	28480	0160-7751
C400	0160-7751	1	CAP-FXD 0.01uF +-10% 50 V CER X7R	28480	0160-7751
C401	0160-7751	1	CAP-FXD 0.01uF +-10% 50 V CER X7R	28480	0160-7751
C402	0160-7751	1	CAP-FXD 0.01uF +-10% 50 V CER X7R	28480	0160-7751
C403	0160-7751	1	CAP-FXD 0.01uF +-10% 50 V CER X7R	28480	0160-7751
C406	0160-7751	1	CAP-FXD 0.01uF +-10% 50 V CER X7R	28480	0160-7751
C407	0160-7751	1	CAP-FXD 0.01uF +-10% 50 V CER X7R	28480	0160-7751
C409	0160-7751	1	CAP-FXD 0.01uF +-10% 50 V CER X7R	28480	0160-7751
C410	0160-7832	1	CAP-FXD 1.5pF +-16.67% 50 V CER C0G	28480	0160-7832
C411	0160-7919	1	CAP-FXD 1.2pF 150 V PORC	28480	0160-7919
C412	0160-7751	1	CAP-FXD 0.01uF +-10% 50 V CER X7R	28480	0160-7751
C413	0160-7751	1	CAP-FXD 0.01uF +-10% 50 V CER X7R	28480	0160-7751
C415	0160-5952	1	CAP-FXD 330pF +-5% 50 V CER C0G	28480	0160-5952
C416	0160-5952	1	CAP-FXD 330pF +-5% 50 V CER C0G	28480	0160-5952
C417	0160-5952	1	CAP-FXD 330pF +-5% 50 V CER C0G	28480	0160-5952
C418	0160-5952	1	CAP-FXD 330pF +-5% 50 V CER C0G	28480	0160-5952
C420	0160-7751	1	CAP-FXD 0.01uF +-10% 50 V CER X7R	28480	0160-7751
C421	0160-7847	1	CAP-FXD 2.2pF +-11.36% 50 V CER C0G	28480	0160-7847
C422	0160-7751	1	CAP-FXD 0.01uF +-10% 50 V CER X7R	28480	0160-7751
C423	0160-7751	1	CAP-FXD 0.01uF +-10% 50 V CER X7R	28480	0160-7751
C424	0160-7751	1	CAP-FXD 0.01uF +-10% 50 V CER X7R	28480	0160-7751
C425	0160-7845	1	CAP-FXD 180pF +-5% 50 V CER C0G	28480	0160-7845
C426	0160-7855	1	CAP-FXD 33pF +-5% 50 V CER C0G	28480	0160-7855
C427	0160-5959	1	CAP-FXD 33pF +-5% 50 V CER C0G	28480	0160-5959
C428	0160-5959	1	CAP-FXD 33pF +-5% 50 V CER C0G	28480	0160-5959
C429	0160-5944	1	CAP-FXD 0.047uF +-10% 50 V CER X7R	28480	0160-5944
C430	0160-5944	1	CAP-FXD 0.047uF +-10% 50 V CER X7R	28480	0160-5944
C431	0160-5944	1	CAP-FXD 0.047uF +-10% 50 V CER X7R	28480	0160-5944
C432	0160-7751	1	CAP-FXD 0.01uF +-10% 50 V CER X7R	28480	0160-7751
C433	0160-7751	1	CAP-FXD 0.01uF +-10% 50 V CER X7R	28480	0160-7751
C434	0160-7751	1	CAP-FXD 0.01uF +-10% 50 V CER X7R	28480	0160-7751

*\*Indicates factory-selected value*

**HP Part Number 08713-60051**  
**Source (8713C/14C) (continued)**

Reference Designator	HP Part Number	Qty	Description	Mfr Code	Mfr Part Number
C435	0160-7751	1	CAP-FXD 0.01uF +10% 50 V CER X7R	28480	0160-7751
C437	0180-4116	1	CAP-FXD 22uF +20% 20 V TA	28480	0180-4116
C438	0160-7751	1	CAP-FXD 0.01uF +10% 50 V CER X7R	28480	0160-7751
C439	0160-7751	1	CAP-FXD 0.01uF +10% 50 V CER X7R	28480	0160-7751
C440	0160-5945	1	CAP-FXD 0.01uF +10% 50 V CER X7R	28480	0160-5945
C441	0160-5944	1	CAP-FXD 0.047uF +-10% 50 V CER X7R	28480	0160-5944
C442	0160-7751	1	CAP-FXD 0.01uF +10% 50 V CER X7R	28480	0160-7751
C444	0160-5944	1	CAP-FXD 0.047uF +-10% 50 V CER X7R	28480	0160-5944
C445	0160-7918	1	CAP-FXD 1pF +10% 150 V PORC	03553	ATC130A1R0BW150X
C446	0160-7918	1	CAP-FXD 1pF +10% 150 V PORC	03553	ATC130A1R0BW150X
C447	0160-7918	1	CAP-FXD 1pF +10% 150 V PORC	03553	ATC130A1R0BW150X
C448	0160-7918	1	CAP-FXD 1pF +10% 150 V PORC	03553	ATC130A1R0BW150X
C449	0160-7919	1	CAP-FXD 1.2pF 150 V PORC	28480	0160-7919
C450	0160-7847	1	CAP-FXD 2.2pF +-11.36% 50 V CER C0G	28480	0160-7847
C451	0160-7847	1	CAP-FXD 2.2pF +-11.36% 50 V CER C0G	28480	0160-7847
C452	0160-7918	1	CAP-FXD 1pF +10% 150 V PORC	03553	ATC130A1R0BW150X
C453	0160-7918	1	CAP-FXD 1pF +10% 150 V PORC	03553	ATC130A1R0BW150X
C454	0160-7919	1	CAP-FXD 1.2pF 150 V PORC	28480	0160-7919
C455	0160-7919	1	CAP-FXD 1.2pF 150 V PORC	28480	0160-7919
C456	0160-7919	1	CAP-FXD 1.2pF 150 V PORC	28480	0160-7919
C457	0160-7919	1	CAP-FXD 1.2pF 150 V PORC	28480	0160-7919
C458	0160-7919	1	CAP-FXD 1.2pF 150 V PORC	28480	0160-7919
C459	0160-7919	1	CAP-FXD 1.2pF 150 V PORC	28480	0160-7919
C460	0160-7919	1	CAP-FXD 1.2pF 150 V PORC	28480	0160-7919
C461	0160-7919	1	CAP-FXD 1.2pF 150 V PORC	28480	0160-7919
C462	0160-7919	1	CAP-FXD 1.2pF 150 V PORC	28480	0160-7919
C463	0160-7919	1	CAP-FXD 1.2pF 150 V PORC	28480	0160-7919
C467	0160-7832	1	CAP-FXD 1.5pF +-16.67% 50 V CER C0G	28480	0160-7832
C468	0160-7832	1	CAP-FXD 1.5pF +-16.67% 50 V CER C0G	28480	0160-7832
C469	0160-7853	1	CAP-FXD 3.3pF +-7.6% 50 V CER C0G	28480	0160-7853
C470	0160-7776	1	CAP-FXD 3.9pF +-6.4% 50 V CER C0G	28480	0160-7776
C471	0160-7848	1	CAP-FXD 2.7pF +-9.26% 50 V CER C0G	28480	0160-7848
C475	0160-5952	1	CAP-FXD 330pF +-5% 50 V CER C0G	28480	0160-5952
C514	0160-7332	1	CAP-FXD 6800pF +-10% 50 V CER X7R	28480	0160-7332
C515	0160-7332	1	CAP-FXD 6800pF +-10% 50 V CER X7R	28480	0160-7332

**HP Part Number 08713-60051  
Source (8713C/14C) (continued)**

Reference Designator	HP Part Number	Qty	Description	Mfr Code	Mfr Part Number
C516	0160-5953	1	CAP-FXD 270pF +-5% 50 V CER C0G	28480	0160-5953
C518	0160-5944	1	CAP-FXD 0.047uF +-10% 50 V CER X7R	28480	0160-5944
C519	0160-5944	1	CAP-FXD 0.047uF +-10% 50 V CER X7R	28480	0160-5944
C520	0160-5944	1	CAP-FXD 0.047uF +-10% 50 V CER X7R	28480	0160-5944
C521	0160-5944	1	CAP-FXD 0.047uF +-10% 50 V CER X7R	28480	0160-5944
C522	0160-5944	1	CAP-FXD 0.047uF +-10% 50 V CER X7R	28480	0160-5944
C523	0160-5974	1	CAP-FXD 8.2pF +-6.1% 50 V CER C0G	28480	0160-5974
C524	0160-5962	1	CAP-FXD 15pF +-5% 50 V CER C0G	28480	0160-5962
C526	0160-5952	1	CAP-FXD 330pF +-5% 50 V CER C0G	28480	0160-5952
C527	0160-6736	1	CAP-FXD 0.01uF +-10% 50 V CER X7R	28480	0160-6736
C528	0180-3753	1	CAP-FXD 6.8uF +-20% 35 V TA	28480	0180-3753
C530	0180-4116	1	CAP-FXD 22uF +-20% 20 V TA	28480	0180-4116
C531	0160-5944	1	CAP-FXD 0.047uF +-10% 50 V CER X7R	28480	0160-5944
C532	0180-4116	1	CAP-FXD 22uF +-20% 20 V TA	28480	0180-4116
C533	0160-5944	1	CAP-FXD 0.047uF +-10% 50 V CER X7R	28480	0160-5944
C534	0180-4116	1	CAP-FXD 22uF +-20% 20 V TA	28480	0180-4116
C535	0160-5952	1	CAP-FXD 330pF +-5% 50 V CER C0G	28480	0160-5952
C536	0160-5944	1	CAP-FXD 0.047uF +-10% 50 V CER X7R	28480	0160-5944
C537	0160-5944	1	CAP-FXD 0.047uF +-10% 50 V CER X7R	28480	0160-5944
C539	0160-5944	1	CAP-FXD 0.047uF +-10% 50 V CER X7R	28480	0160-5944
C540	0160-5952	1	CAP-FXD 330pF +-5% 50 V CER C0G	28480	0160-5952
C541	0160-6736	1	CAP-FXD 0.01uF +-10% 50 V CER X7R	28480	0160-6736
C542	0180-3753	1	CAP-FXD 6.8uF +-20% 35 V TA	28480	0180-3753
C543	0160-5952	1	CAP-FXD 330pF +-5% 50 V CER C0G	28480	0160-5952
C544	0160-5952	1	CAP-FXD 330pF +-5% 50 V CER C0G	28480	0160-5952
C545	0160-5944	1	CAP-FXD 0.047uF +-10% 50 V CER X7R	28480	0160-5944
C546	0160-5944	1	CAP-FXD 0.047uF +-10% 50 V CER X7R	28480	0160-5944
C547	0160-5944	1	CAP-FXD 0.047uF +-10% 50 V CER X7R	28480	0160-5944
C548	0160-5944	1	CAP-FXD 0.047uF +-10% 50 V CER X7R	28480	0160-5944
C549	0160-5944	1	CAP-FXD 0.047uF +-10% 50 V CER X7R	28480	0160-5944
C550	0160-5952	1	CAP-FXD 330pF +-5% 50 V CER C0G	28480	0160-5952
C551	0180-3753	1	CAP-FXD 6.8uF +-20% 35 V TA	28480	0180-3753
C552	0160-5952	1	CAP-FXD 330pF +-5% 50 V CER C0G	28480	0160-5952
C553	0160-5944	1	CAP-FXD 0.047uF +-10% 50 V CER X7R	28480	0160-5944
C554	0160-5944	1	CAP-FXD 0.047uF +-10% 50 V CER X7R	28480	0160-5944

*\*Indicates factory-selected value*



**HP Part Number 08713-60051**  
**Source (8713C/14C) (continued)**

Reference Designator	HP Part Number	Qty	Description	Mfr Code	Mfr Part Number
C555	0160-5944	1	CAP-FXD 0.047uF +-10% 50 V CER X7R	28480	0160-5944
C556	0160-5944	1	CAP-FXD 0.047uF +-10% 50 V CER X7R	28480	0160-5944
C557	0160-5944	1	CAP-FXD 0.047uF +-10% 50 V CER X7R	28480	0160-5944
C561	0160-6104	1	CAP-FXD 2200pF +-5% 50 V CER C0G	28480	0160-6104
C562	0160-5944	1	CAP-FXD 0.047uF +-10% 50 V CER X7R	28480	0160-5944
C564	0160-5944	1	CAP-FXD 0.047uF +-10% 50 V CER X7R	28480	0160-5944
C603	0160-5952	1	CAP-FXD 330pF +-5% 50 V CER C0G	28480	0160-5952
C604	0160-5975	1	CAP-FXD 10pF +-5% 50 V CER C0G	28480	0160-5975
C605	0180-3751	1	CAP-FXD 1uF +-20% 35 V TA	28480	0180-3751
C606	0160-5952	1	CAP-FXD 330pF +-5% 50 V CER C0G	28480	0160-5952
C610	0160-5957	1	CAP-FXD 47pF +-5% 50 V CER C0G	28480	0160-5957
C700	0160-7809	1	CAP-FXD 0.015uF +-10% 50 V CER X7R	28480	0160-7809
C701	0160-7751	1	CAP-FXD 0.01uF +-10% 50 V CER X7R	28480	0160-7751
C704	0160-5944	1	CAP-FXD 0.047uF +-10% 50 V CER X7R	28480	0160-5944
C705	0160-7809	1	CAP-FXD 0.015uF +-10% 50 V CER X7R	28480	0160-7809
C706	0160-7809	1	CAP-FXD 0.015uF +-10% 50 V CER X7R	28480	0160-7809
C707	0160-7856	1	CAP-FXD 330pF +-10% 50 V CER X7R	28480	0160-7856
C708	0160-7809	1	CAP-FXD 0.015uF +-10% 50 V CER X7R	28480	0160-7809
C709	0160-7809	1	CAP-FXD 0.015uF +-10% 50 V CER X7R	28480	0160-7809
C710	0160-7835	1	CAP-FXD 100pF +-5% 50 V CER C0G	28480	0160-7835
C711	0160-7809	1	CAP-FXD 0.015uF +-10% 50 V CER X7R	28480	0160-7809
C712	0160-7809	1	CAP-FXD 0.015uF +-10% 50 V CER X7R	28480	0160-7809
C713	0160-7748	1	CAP-FXD 1000pF +-10% 50 V CER X7R	28480	0160-7748
C714	0160-7845	1	CAP-FXD 180pF +-5% 50 V CER C0G	28480	0160-7845
C716	0160-7834	1	CAP-FXD 10pF +-5% 50 V CER C0G	28480	0160-7834
C717	0160-7918	1	CAP-FXD 1pF +-10% 150 V PORC	03553	ATC130A1R0BW150X
C718	0160-7918	1	CAP-FXD 1pF +-10% 150 V PORC	03553	ATC130A1R0BW150X
C719	0160-7918	1	CAP-FXD 1pF +-10% 150 V PORC	03553	ATC130A1R0BW150X
C720	0160-7853	1	CAP-FXD 3.3pF +-7.6% 50 V CER C0G	28480	0160-7853
C721	0160-7809	1	CAP-FXD 0.015uF +-10% 50 V CER X7R	28480	0160-7809
C722	0160-7809	1	CAP-FXD 0.015uF +-10% 50 V CER X7R	28480	0160-7809
C724	0160-7751	1	CAP-FXD 0.01uF +-10% 50 V CER X7R	28480	0160-7751
C725	0160-7751	1	CAP-FXD 0.01uF +-10% 50 V CER X7R	28480	0160-7751
C726	0180-3751	1	CAP-FXD 1uF +-20% 35 V TA	28480	0180-3751
C727	0160-7809	1	CAP-FXD 0.015uF +-10% 50 V CER X7R	28480	0160-7809

**HP Part Number 08713-60051  
Source (8713C/14C) (continued)**

Reference Designator	HP Part Number	Qty	Description	Mfr Code	Mfr Part Number
C728	0160-7751	1	CAP-FXD 0.01uF +-10% 50 V CER X7R	28480	0160-7751
C729	0160-7751	1	CAP-FXD 0.01uF +-10% 50 V CER X7R	28480	0160-7751
C730	0160-5944	1	CAP-FXD 0.047uF +-10% 50 V CER X7R	28480	0160-5944
C731	0160-7751	1	CAP-FXD 0.01uF +-10% 50 V CER X7R	28480	0160-7751
C732	0160-5944	1	CAP-FXD 0.047uF +-10% 50 V CER X7R	28480	0160-5944
C733	0160-7751	1	CAP-FXD 0.01uF +-10% 50 V CER X7R	28480	0160-7751
C734	0160-7751	1	CAP-FXD 0.01uF +-10% 50 V CER X7R	28480	0160-7751
C735	0160-7751	1	CAP-FXD 0.01uF +-10% 50 V CER X7R	28480	0160-7751
CR3	1901-1227	1	DIODE-SWITCHING 75V 200MA 6NS TO-236	02237	BAS16
CR4	1901-1227	1	DIODE-SWITCHING 75V 200MA 6NS TO-236	02237	BAS16
CR5	1901-1227	1	DIODE-SWITCHING 75V 200MA 6NS TO-236	02237	BAS16
CR8	1900-0307	1	DIODE-SCHOTTKY SM SIG	28480	1900-0307
CR9	1900-0299	1	DIODE-PIN	28480	1900-0299
CR10	1900-0299	1	DIODE-PIN	28480	1900-0299
CR11	1900-0299	1	DIODE-PIN	28480	1900-0299
CR12	1900-0299	1	DIODE-PIN	28480	1900-0299
CR14	1901-1227	1	DIODE-SWITCHING 75V 200MA 6NS TO-236	02237	BAS16
CR15	1900-0273	1	DIODE-PIN	28480	1900-0273
CR16	1900-0273	1	DIODE-PIN	28480	1900-0273
CR17	1900-0273	1	DIODE-PIN	28480	1900-0273
CR18	1900-0273	1	DIODE-PIN	28480	1900-0273
CR19	1900-0273	1	DIODE-PIN	28480	1900-0273
CR21	1906-0291	1	DIODE-DUAL 70V 100MA TO-236AA	28480	1906-0291
CR26	1901-1227	1	DIODE-SWITCHING 75V 200MA 6NS TO-236	02237	BAS16
CR27	1906-0291	1	DIODE-DUAL 70V 100MA TO-236AA	28480	1906-0291
CR28	1901-1227	1	DIODE-SWITCHING 75V 200MA 6NS TO-236	02237	BAS16
CR31	1900-0273	1	DIODE-PIN	28480	1900-0273
CR32	1900-0401	1	DIODE-PIN	28480	1900-0401
CR33	1900-0273	1	DIODE-PIN	28480	1900-0273
CR34	1900-0273	1	DIODE-PIN	28480	1900-0273
CR40	1900-0273	1	DIODE-PIN	28480	1900-0273
CR41	1900-0401	1	DIODE-PIN	28480	1900-0401
CR42	1900-0273	1	DIODE-PIN	28480	1900-0273
CR43	1900-0273	1	DIODE-PIN	28480	1900-0273
CR51	1900-0273	1	DIODE-PIN	28480	1900-0273

*\*Indicates factory-selected value*

**HP Part Number 08713-60051**  
**Source (8713C/14C) (continued)**

Reference Designator	HP Part Number	Qty	Description	Mfr Code	Mfr Part Number
CR52	1900-0273	1	DIODE-PIN	28480	1900-0273
CR53	1900-0273	1	DIODE-PIN	28480	1900-0273
CR54	1900-0273	1	DIODE-PIN	28480	1900-0273
CR55	1900-0273	1	DIODE-PIN	28480	1900-0273
CR57	1900-0273	1	DIODE-PIN	28480	1900-0273
CR58	1900-0273	1	DIODE-PIN	28480	1900-0273
CR60	1900-0273	1	DIODE-PIN	28480	1900-0273
CR61	1900-0273	1	DIODE-PIN	28480	1900-0273
CR63	1900-0273	1	DIODE-PIN	28480	1900-0273
CR64	1900-0273	1	DIODE-PIN	28480	1900-0273
CR65	1900-0273	1	DIODE-PIN	28480	1900-0273
CR66	1900-0273	1	DIODE-PIN	28480	1900-0273
CR67	1900-0273	1	DIODE-PIN	28480	1900-0273
CR69	1900-0273	1	DIODE-PIN	28480	1900-0273
CR70	1900-0273	1	DIODE-PIN	28480	1900-0273
CR71	1900-0273	1	DIODE-PIN	28480	1900-0273
CR72	1900-0273	1	DIODE-PIN	28480	1900-0273
CR73	1900-0273	1	DIODE-PIN	28480	1900-0273
CR80	1901-1227	1	DIODE-SWITCHING 75V 200MA 6NS TO-236	02237	BAS16
CR81	1901-1227	1	DIODE-SWITCHING 75V 200MA 6NS TO-236	02237	BAS16
CR82	1901-1227	1	DIODE-SWITCHING 75V 200MA 6NS TO-236	02237	BAS16
CR83	1901-1227	1	DIODE-SWITCHING 75V 200MA 6NS TO-236	02237	BAS16
CR84	1901-0050	1	DIODE-SWITCHING 80V 200MA 2NS DO-35	02237	D3D2
E1	9170-1418	1	CORE-SHIELDING BEAD	28480	9170-1418
E2	9170-1418	1	CORE-SHIELDING BEAD	28480	9170-1418
E3	9170-1418	1	CORE-SHIELDING BEAD	28480	9170-1418
E5	9170-1418	1	CORE-SHIELDING BEAD	28480	9170-1418
E6	9170-1418	1	CORE-SHIELDING BEAD	28480	9170-1418
E7	9170-1418	1	CORE-SHIELDING BEAD	28480	9170-1418
E9	9170-1421	1	CORE-SHIELDING BEAD	28480	9170-1421
E10	9170-1418	1	CORE-SHIELDING BEAD	28480	9170-1418
E14	9170-1368	1	CORE-SHIELDING BEAD	28480	9170-1368
E100	9170-1421	1	CORE-SHIELDING BEAD	28480	9170-1421
E101	9170-1421	1	CORE-SHIELDING BEAD	28480	9170-1421
E102	9170-1421	1	CORE-SHIELDING BEAD	28480	9170-1421

**HP Part Number 08713-60051  
Source (8713C/14C) (continued)**

Reference Designator	HP Part Number	Qty	Description	Mfr Code	Mfr Part Number
E103	9170-1421	1	CORE-SHIELDING BEAD	28480	9170-1421
E104	9170-1421	1	CORE-SHIELDING BEAD	28480	9170-1421
E105	9170-1421	1	CORE-SHIELDING BEAD	28480	9170-1421
E106	9170-1421	1	CORE-SHIELDING BEAD	28480	9170-1421
E107	9170-1421	1	CORE-SHIELDING BEAD	28480	9170-1421
E108	9170-1421	1	CORE-SHIELDING BEAD	28480	9170-1421
E110	9170-1421	1	CORE-SHIELDING BEAD	28480	9170-1421
E111	9170-1421	1	CORE-SHIELDING BEAD	28480	9170-1421
E113	9170-1421	1	CORE-SHIELDING BEAD	28480	9170-1421
E114	9170-1421	1	CORE-SHIELDING BEAD	28480	9170-1421
E115	9170-1421	1	CORE-SHIELDING BEAD	28480	9170-1421
E151	9170-1421	1	CORE-SHIELDING BEAD	28480	9170-1421
E152	9170-1421	1	CORE-SHIELDING BEAD	28480	9170-1421
E201	9170-1584	1	CORE-SHIELDING BEAD	28480	9170-1584
E202	9170-1584	1	CORE-SHIELDING BEAD	28480	9170-1584
E203	9170-1421	1	CORE-SHIELDING BEAD	28480	9170-1421
E250	9170-1421	1	CORE-SHIELDING BEAD	28480	9170-1421
E251	9170-1421	1	CORE-SHIELDING BEAD	28480	9170-1421
E252	9170-1421	1	CORE-SHIELDING BEAD	28480	9170-1421
E253	9170-1421	1	CORE-SHIELDING BEAD	28480	9170-1421
E260	9170-1421	1	CORE-SHIELDING BEAD	28480	9170-1421
E261	9170-1418	1	CORE-SHIELDING BEAD	28480	9170-1418
E262	9170-1418	1	CORE-SHIELDING BEAD	28480	9170-1418
E263	9170-1418	1	CORE-SHIELDING BEAD	28480	9170-1418
E300	9170-1584	1	CORE-SHIELDING BEAD	28480	9170-1584
E311	9170-1421	1	CORE-SHIELDING BEAD	28480	9170-1421
E312	9170-1418	1	CORE-SHIELDING BEAD	28480	9170-1418
E313	9170-1421	1	CORE-SHIELDING BEAD	28480	9170-1421
E500	9170-1421	1	CORE-SHIELDING BEAD	28480	9170-1421
E502	9170-1421	1	CORE-SHIELDING BEAD	28480	9170-1421
E503	9170-1418	1	CORE-SHIELDING BEAD	28480	9170-1418
E504	9170-1418	1	CORE-SHIELDING BEAD	28480	9170-1418
E508	9170-1421	1	CORE-SHIELDING BEAD	28480	9170-1421
E509	9170-1418	1	CORE-SHIELDING BEAD	28480	9170-1418
E510	9170-1418	1	CORE-SHIELDING BEAD	28480	9170-1418

*\*Indicates factory-selected value*

**HP Part Number 08713-60051**  
**Source (8713C/14C) (continued)**

Reference Designator	HP Part Number	Qty	Description	Mfr Code	Mfr Part Number
E511	9170-1418	1	CORE-SHIELDING BEAD	28480	9170-1418
E512	9170-1421	1	CORE-SHIELDING BEAD	28480	9170-1421
E513	9170-1418	1	CORE-SHIELDING BEAD	28480	9170-1418
E514	9170-1418	1	CORE-SHIELDING BEAD	28480	9170-1418
E515	9170-1418	1	CORE-SHIELDING BEAD	28480	9170-1418
E516	9170-1418	1	CORE-SHIELDING BEAD	28480	9170-1418
E517	9170-1418	1	CORE-SHIELDING BEAD	28480	9170-1418
E518	9170-1421	1	CORE-SHIELDING BEAD	28480	9170-1421
E522	9170-1418	1	CORE-SHIELDING BEAD	28480	9170-1418
E528	9170-1584	1	CORE-SHIELDING BEAD	28480	9170-1584
E529	9170-1584	1	CORE-SHIELDING BEAD	28480	9170-1584
E530	9170-1584	1	CORE-SHIELDING BEAD	28480	9170-1584
E531	9170-1584	1	CORE-SHIELDING BEAD	28480	9170-1584
FL1	9135-0461	1	FILTER-SUPPRESSION EMI; SMT; WORKING	09939	NFM61R10T102
FL2	9135-0461	1	FILTER-SUPPRESSION EMI; SMT; WORKING	09939	NFM61R10T102
FL3	9135-0461	1	FILTER-SUPPRESSION EMI; SMT; WORKING	09939	NFM61R10T102
FL4	9135-0461	1	FILTER-SUPPRESSION EMI; SMT; WORKING	09939	NFM61R10T102
FL5	9135-0461	1	FILTER-SUPPRESSION EMI; SMT; WORKING	09939	NFM61R10T102
FL6	9135-0461	1	FILTER-SUPPRESSION EMI; SMT; WORKING	09939	NFM61R10T102
FL7	9135-0461	1	FILTER-SUPPRESSION EMI; SMT; WORKING	09939	NFM61R10T102
FL8	9135-0461	1	FILTER-SUPPRESSION EMI; SMT; WORKING	09939	NFM61R10T102
FL9	9135-0461	1	FILTER-SUPPRESSION EMI; SMT; WORKING	09939	NFM61R10T102
FL10	9135-0461	1	FILTER-SUPPRESSION EMI; SMT; WORKING	09939	NFM61R10T102
FL13	9135-0461	1	FILTER-SUPPRESSION EMI; SMT; WORKING	09939	NFM61R10T102
FL14	9135-0461	1	FILTER-SUPPRESSION EMI; SMT; WORKING	09939	NFM61R10T102
FL15	9135-0461	1	FILTER-SUPPRESSION EMI; SMT; WORKING	09939	NFM61R10T102
FL16	9135-0461	1	FILTER-SUPPRESSION EMI; SMT; WORKING	09939	NFM61R10T102
FL17	9135-0461	1	FILTER-SUPPRESSION EMI; SMT; WORKING	09939	NFM61R10T102
FL18	9135-0461	1	FILTER-SUPPRESSION EMI; SMT; WORKING	09939	NFM61R10T102
FL19	9135-0461	1	FILTER-SUPPRESSION EMI; SMT; WORKING	09939	NFM61R10T102
FL20	9135-0461	1	FILTER-SUPPRESSION EMI; SMT; WORKING	09939	NFM61R10T102
J1	1250-1986	1	CONNECTOR-RF SMA FEMALE PC-W/O-STDF	28480	1250-1986
J2	1250-1512	1	CONNECTOR-RF SMB MALE PC-W-STDFS 50-OHM	01380	414963-1
J3	1250-1512	1	CONNECTOR-RF SMB MALE PC-W-STDFS 50-OHM	01380	414963-1
J4	1250-1986	1	CONNECTOR-RF SMA FEMALE PC-W/O-STDF	28480	1250-1986

**HP Part Number 08713-60051  
Source (8713C/14C) (continued)**

Reference Designator	HP Part Number	Qty	Description	Mfr Code	Mfr Part Number
J5	1251-5033	1	CONN-POST TYPE .100-PIN-SPCG-MTG-END	28480	1251-5033
J6	1251-5033	1	CONN-POST TYPE .100-PIN-SPCG-MTG-END	28480	1251-5033
J7	1251-5033	1	CONN-POST TYPE .100-PIN-SPCG-MTG-END	28480	1251-5033
L1	9140-1435	1	INDUCTOR 390uH +5% 3.4W-mmX4.8LG-mm	28480	9140-1435
L2	9140-1127	1	INDUCTOR 680uH +5% 3.4W-mmX4.8LG-mm	28480	9140-1127
L3	9140-1244	1	INDUCTOR 1mH +5% 3.4W-mmX4.8LG-mm Q=30	28480	9140-1244
L4	9140-1429	1	INDUCTOR 3.9uH +5% 3.4W-mmX4.8LG-mm	28480	9140-1429
L6	9140-1121	1	INDUCTOR 100uH +5% 3.4W-mmX4.8LG-mm	28480	9140-1121
L7	9100-3922	1	INDUCTOR-FIXED Z > 1200 OHMS 120 TO 650	28480	9100-3922
L8	9140-1278	1	INDUCTOR 68uH +10% 7.5D-mm Q=45	28480	9140-1278
L9	9140-1278	1	INDUCTOR 68uH +10% 7.5D-mm Q=45	28480	9140-1278
L10	9140-1435	1	INDUCTOR 390uH +5% 3.4W-mmX4.8LG-mm	28480	9140-1435
L11	9140-1127	1	INDUCTOR 680uH +5% 3.4W-mmX4.8LG-mm	28480	9140-1127
L12	9140-1244	1	INDUCTOR 1mH +5% 3.4W-mmX4.8LG-mm Q=30	28480	9140-1244
L13	9140-1430	1	INDUCTOR 12uH +5% 3.4W-mmX4.8LG-mm Q=50	28480	9140-1430
L14	9140-1644	1	INDUCTOR 11uH .198W-INX.305LG-IN	28480	9140-1644
L15	9140-1244	1	INDUCTOR 1mH +5% 3.4W-mmX4.8LG-mm Q=30	28480	9140-1244
L16	9140-1121	1	INDUCTOR 100uH +5% 3.4W-mmX4.8LG-mm	28480	9140-1121
L18	9100-3922	1	INDUCTOR-FIXED Z > 1200 OHMS 120 TO 650	28480	9100-3922
L20	9140-1429	1	INDUCTOR 3.9uH +5% 3.4W-mmX4.8LG-mm	28480	9140-1429
L30	9100-3922	1	INDUCTOR-FIXED Z > 1200 OHMS 120 TO 650	28480	9100-3922
L40	9100-3922	1	INDUCTOR-FIXED Z > 1200 OHMS 120 TO 650	28480	9100-3922
L41	9100-3922	1	INDUCTOR-FIXED Z > 1200 OHMS 120 TO 650	28480	9100-3922
L506	9140-1114	1	INDUCTOR 15uH +5% 3.4W-mmX4.8LG-mm Q=50	28480	9140-1114
L507	9140-1114	1	INDUCTOR 15uH +5% 3.4W-mmX4.8LG-mm Q=50	28480	9140-1114
L508	9100-3922	1	INDUCTOR-FIXED Z > 1200 OHMS 120 TO 650	28480	9100-3922
L742	9140-1116	1	INDUCTOR 33uH +5% 3.4W-mmX4.8LG-mm Q=50	28480	9140-1116
MP3	08713-20039	1	SHLD-SCE TOP FR	28480	08713-20039
MP4	08713-20028	1	GSKT-TOP FR SCE	28480	08713-20028
MP5	08713-20030	1	GSKT-LWR FR SCE	28480	08713-20030
MP6	08713-20041	1	SHLD-SCE BOT FR	28480	08713-20041
MP7	08713-20040	1	SHLD-SCE TOP RR	28480	08713-20040
MP8	08713-20042	1	SHLD-SCE BOT R	28480	08713-20042
MP9	08713-20029	1	GSKT-TOP RR SCE	28480	08713-20029
MP10	08713-20031	1	GSKT-LWR RR SCE	28480	08713-20031

*\*Indicates factory-selected value*

**HP Part Number 08713-60051**  
**Source (8713C/14C) (continued)**

Reference Designator	HP Part Number	Qty	Description	Mfr Code	Mfr Part Number
MP11	0515-0664	1	SCREW-MACHINE ASSEMBLY M3 X 0.5 12MM-LG	05610	
MP12	0515-0664	1	SCREW-MACHINE ASSEMBLY M3 X 0.5 12MM-LG	05610	
MP13	0515-0664	1	SCREW-MACHINE ASSEMBLY M3 X 0.5 12MM-LG	05610	
MP14	0515-0664	1	SCREW-MACHINE ASSEMBLY M3 X 0.5 12MM-LG	05610	
MP15	0515-0664	1	SCREW-MACHINE ASSEMBLY M3 X 0.5 12MM-LG	05610	
MP16	0515-0664	1	SCREW-MACHINE ASSEMBLY M3 X 0.5 12MM-LG	05610	
MP17	0515-0664	1	SCREW-MACHINE ASSEMBLY M3 X 0.5 12MM-LG	05610	
MP18	0515-0664	1	SCREW-MACHINE ASSEMBLY M3 X 0.5 12MM-LG	05610	
MP19	0515-0664	1	SCREW-MACHINE ASSEMBLY M3 X 0.5 12MM-LG	05610	
MP20	0515-0664	1	SCREW-MACHINE ASSEMBLY M3 X 0.5 12MM-LG	05610	
MP21	0515-0664	1	SCREW-MACHINE ASSEMBLY M3 X 0.5 12MM-LG	05610	
MP22	0515-0664	1	SCREW-MACHINE ASSEMBLY M3 X 0.5 12MM-LG	05610	
MP23	0515-0664	1	SCREW-MACHINE ASSEMBLY M3 X 0.5 12MM-LG	05610	
MP24	0515-0664	1	SCREW-MACHINE ASSEMBLY M3 X 0.5 12MM-LG	05610	
MP25	0515-0664	1	SCREW-MACHINE ASSEMBLY M3 X 0.5 12MM-LG	05610	
MP26	0515-0664	1	SCREW-MACHINE ASSEMBLY M3 X 0.5 12MM-LG	05610	
MP27	0515-0664	1	SCREW-MACHINE ASSEMBLY M3 X 0.5 12MM-LG	05610	
MP28	0515-0664	1	SCREW-MACHINE ASSEMBLY M3 X 0.5 12MM-LG	05610	
MP29	0515-0664	1	SCREW-MACHINE ASSEMBLY M3 X 0.5 12MM-LG	05610	
MP30	0515-0664	1	SCREW-MACHINE ASSEMBLY M3 X 0.5 12MM-LG	05610	
MP31	0515-0664	1	SCREW-MACHINE ASSEMBLY M3 X 0.5 12MM-LG	05610	
MP32	0515-0664	1	SCREW-MACHINE ASSEMBLY M3 X 0.5 12MM-LG	05610	
MP33	0515-0664	1	SCREW-MACHINE ASSEMBLY M3 X 0.5 12MM-LG	05610	
MP34	0515-0664	1	SCREW-MACHINE ASSEMBLY M3 X 0.5 12MM-LG	05610	
MP35	0515-0664	1	SCREW-MACHINE ASSEMBLY M3 X 0.5 12MM-LG	05610	
MP36	0515-0664	1	SCREW-MACHINE ASSEMBLY M3 X 0.5 12MM-LG	05610	
MP37	0515-0664	1	SCREW-MACHINE ASSEMBLY M3 X 0.5 12MM-LG	05610	
MP38	0515-0664	1	SCREW-MACHINE ASSEMBLY M3 X 0.5 12MM-LG	05610	
MP39	0515-0664	1	SCREW-MACHINE ASSEMBLY M3 X 0.5 12MM-LG	05610	
MP40	0515-0664	1	SCREW-MACHINE ASSEMBLY M3 X 0.5 12MM-LG	05610	
MP41	1400-1661	1	CLAMP-COMPONENT SST	13522	
MP42	1400-1661	1	CLAMP-COMPONENT SST	13522	
MP43	1400-1661	1	CLAMP-COMPONENT SST	13522	
MP44	1400-1662	1	CLAMP-COMPONENT SST	13522	
MP45	1400-1662	1	CLAMP-COMPONENT SST	13522	

**HP Part Number 08713-60051  
Source (8713C/14C) (continued)**

Reference Designator	HP Part Number	Qty	Description	Mfr Code	Mfr Part Number
MP46	0590-1637	1	THREADED INSERT-NUT M2 X 0.4 1.5-MM-LG	03981	KFS2-M2
MP47	0590-1637	1	THREADED INSERT-NUT M2 X 0.4 1.5-MM-LG	03981	KFS2-M2
MP48	0590-1637	1	THREADED INSERT-NUT M2 X 0.4 1.5-MM-LG	03981	KFS2-M2
MP49	0590-1637	1	THREADED INSERT-NUT M2 X 0.4 1.5-MM-LG	03981	KFS2-M2
MP50	0590-1637	1	THREADED INSERT-NUT M2 X 0.4 1.5-MM-LG	03981	KFS2-M2
MP51	0590-1637	1	THREADED INSERT-NUT M2 X 0.4 1.5-MM-LG	03981	KFS2-M2
MP52	0590-1637	1	THREADED INSERT-NUT M2 X 0.4 1.5-MM-LG	03981	KFS2-M2
MP53	0590-1637	1	THREADED INSERT-NUT M2 X 0.4 1.5-MM-LG	03981	KFS2-M2
MP54	0590-1637	1	THREADED INSERT-NUT M2 X 0.4 1.5-MM-LG	03981	KFS2-M2
MP55	0590-1637	1	THREADED INSERT-NUT M2 X 0.4 1.5-MM-LG	03981	KFS2-M2
MP56	0515-0658	1	SCREW-MACHINE ASSEMBLY M2 X 0.4 6MM-LG	05610	
MP57	0515-0658	1	SCREW-MACHINE ASSEMBLY M2 X 0.4 6MM-LG	05610	
MP58	0515-0658	1	SCREW-MACHINE ASSEMBLY M2 X 0.4 6MM-LG	05610	
MP59	0515-0658	1	SCREW-MACHINE ASSEMBLY M2 X 0.4 6MM-LG	05610	
MP60	0515-0658	1	SCREW-MACHINE ASSEMBLY M2 X 0.4 6MM-LG	05610	
MP61	0515-0658	1	SCREW-MACHINE ASSEMBLY M2 X 0.4 6MM-LG	05610	
MP62	0515-0658	1	SCREW-MACHINE ASSEMBLY M2 X 0.4 6MM-LG	05610	
MP63	0515-0658	1	SCREW-MACHINE ASSEMBLY M2 X 0.4 6MM-LG	05610	
MP64	0515-0658	1	SCREW-MACHINE ASSEMBLY M2 X 0.4 6MM-LG	05610	
MP65	0515-0658	1	SCREW-MACHINE ASSEMBLY M2 X 0.4 6MM-LG	05610	
MP66	1205-0639	1	HEAT SINK SGL TO-220-CS	07179	576802B03100
MP67	1205-0639	1	HEAT SINK SGL TO-220-CS	07179	576802B03100
MP68	1205-0639	1	HEAT SINK SGL TO-220-CS	07179	576802B03100
MP69	1205-0639	1	HEAT SINK SGL TO-220-CS	07179	576802B03100
MP70	1205-0639	1	HEAT SINK SGL TO-220-CS	07179	576802B03100
MP71	0515-0430	1	SCREW-MACHINE ASSEMBLY M3 X 0.5 6MM-LG	05610	
MP72	0515-0430	1	SCREW-MACHINE ASSEMBLY M3 X 0.5 6MM-LG	05610	
MP73	0515-0430	1	SCREW-MACHINE ASSEMBLY M3 X 0.5 6MM-LG	05610	
MP74	0590-1095	1	THREADED INSERT-NUT M3 X 0.5 1.5-MM-LG	03981	KF2-M3-ZI
MP75	0590-1095	1	THREADED INSERT-NUT M3 X 0.5 1.5-MM-LG	03981	KF2-M3-ZI
MP76	0590-1095	1	THREADED INSERT-NUT M3 X 0.5 1.5-MM-LG	03981	KF2-M3-ZI
MP77	08712-60007	1	SHLD AY-SOURCE	28480	08712-60007
MP78	0590-1095	1	THREADED INSERT-NUT M3 X 0.5 1.5-MM-LG	03981	KF2-M3-ZI
MP79	0590-1095	1	THREADED INSERT-NUT M3 X 0.5 1.5-MM-LG	03981	KF2-M3-ZI
MP80	1400-1669	1	BRACKET L-BRACKET; ALUMINUM; W/M3X0.5	13522	

*\*Indicates factory-selected value*



**HP Part Number 08713-60051**  
**Source (8713C/14C) (continued)**

Reference Designator	HP Part Number	Qty	Description	Mfr Code	Mfr Part Number
MP81	2190-0124	1	WASHER-LK INTL T NO. 10 .195-IN-ID	02788	500222
MP82	2190-0124	1	WASHER-LK INTL T NO. 10 .195-IN-ID	02788	500222
MP83	2950-0078	1	NUT-HEX-DBL-CHAM 10-32-THD .067-IN-THK	00904	
MP84	2950-0078	1	NUT-HEX-DBL-CHAM 10-32-THD .067-IN-THK	00904	
MP85	08713-20032	1	HEATSINK	28480	08713-20032
MP86	0515-0658	1	SCREW-MACHINE ASSEMBLY M2 X 0.4 6MM-LG	05610	
MP87	0515-0658	1	SCREW-MACHINE ASSEMBLY M2 X 0.4 6MM-LG	05610	
MP88	0515-0658	1	SCREW-MACHINE ASSEMBLY M2 X 0.4 6MM-LG	05610	
MP89	0515-0658	1	SCREW-MACHINE ASSEMBLY M2 X 0.4 6MM-LG	05610	
MP90	3030-0422	1	SCREW-SKT HD CAP 0-80 .188-IN-LG SST-302	04418	
MP91	3030-0422	1	SCREW-SKT HD CAP 0-80 .188-IN-LG SST-302	04418	
MP92	3030-0422	1	SCREW-SKT HD CAP 0-80 .188-IN-LG SST-302	04418	
MP93	3030-0422	1	SCREW-SKT HD CAP 0-80 .188-IN-LG SST-302	04418	
MP94	2190-0572	1	WASHER-LK HLCL NO. 0 .062-IN-ID .1-IN-OD	01240	
MP95	2190-0572	1	WASHER-LK HLCL NO. 0 .062-IN-ID .1-IN-OD	01240	
MP96	2190-0572	1	WASHER-LK HLCL NO. 0 .062-IN-ID .1-IN-OD	01240	
MP97	2190-0572	1	WASHER-LK HLCL NO. 0 .062-IN-ID .1-IN-OD	01240	
MP102	0515-0430	1	SCREW-MACHINE ASSEMBLY M3 X 0.5 6MM-LG	05610	
MP103	0515-0430	1	SCREW-MACHINE ASSEMBLY M3 X 0.5 6MM-LG	05610	
MP104	0515-0430	1	SCREW-MACHINE ASSEMBLY M3 X 0.5 6MM-LG	05610	
MP105	0515-0430	1	SCREW-MACHINE ASSEMBLY M3 X 0.5 6MM-LG	05610	
MP106	0515-0430	1	SCREW-MACHINE ASSEMBLY M3 X 0.5 6MM-LG	05610	
MP107	0515-0430	1	SCREW-MACHINE ASSEMBLY M3 X 0.5 6MM-LG	05610	
MP108	0515-0430	1	SCREW-MACHINE ASSEMBLY M3 X 0.5 6MM-LG	05610	
MP109	0515-0430	1	SCREW-MACHINE ASSEMBLY M3 X 0.5 6MM-LG	05610	
MP110	08711-80034	1	LBL IN SOURCE	28480	08711-80034
P1	1252-2356	1	CONN-POST TYPE 2.54-PIN-SPCG-MTG-END	28480	1252-2356
Q3	1854-1037	1	TRANSISTOR NPN SI TO-236AA PD=350MW	28480	1854-1037
Q6	1854-1248	1	TRANSISTOR NPN SI SOT-23 (TO-236AB)	28480	1854-1248
Q7	1854-1037	1	TRANSISTOR NPN SI TO-236AA PD=350MW	28480	1854-1037
Q8	1854-1188	1	TRANSISTOR NPN SI SOT-23 (TO-236AB)	28480	1854-1188
Q11	1853-0567	1	TRANSISTOR PNP SI SOT-23 (TO-236AB)	28480	1853-0567
Q12	1855-0935	1	TRANSISTOR GAAS FET N-CHAN D-MODE	28480	1855-0935
Q13	1855-0935	1	TRANSISTOR GAAS FET N-CHAN D-MODE	28480	1855-0935
Q15	1854-0828	1	TRANSISTOR NPN SI DARL TO-220AB PD=65W	28480	1854-0828

**HP Part Number 08713-60051  
Source (8713C/14C) (continued)**

Reference Designator	HP Part Number	Qty	Description	Mfr Code	Mfr Part Number
Q16	1854-1037	1	TRANSISTOR NPN SI TO-236AA PD=350MW	28480	1854-1037
Q17	1854-1095	1	TRANSISTOR NPN SI SOT-23 (TO-236AB)	28480	1854-1095
Q18	1854-1270	1	TRANSISTOR NPN SI TO-261AA (SOT-223)	28480	1854-1270
Q19	1854-1037	1	TRANSISTOR NPN SI TO-236AA PD=350MW	28480	1854-1037
Q20	1855-0689	1	TRANSISTOR J-FET P-CHAN D-MODE TO-92 SI	28480	1855-0689
Q21	1854-0295	1	TRANSISTOR-DUAL NPN TO-78 PD=400MW	28480	1854-0295
Q22	1854-1251	1	TRANSISTOR-DUAL NPN	28480	1854-1251
Q23	1854-1037	1	TRANSISTOR NPN SI TO-236AA PD=350MW	28480	1854-1037
Q24	1854-1037	1	TRANSISTOR NPN SI TO-236AA PD=350MW	28480	1854-1037
Q25	1854-1270	1	TRANSISTOR NPN SI TO-261AA (SOT-223)	28480	1854-1270
Q26	1854-1095	1	TRANSISTOR NPN SI SOT-23 (TO-236AB)	28480	1854-1095
Q27	1853-0567	1	TRANSISTOR PNP SI SOT-23 (TO-236AB)	28480	1853-0567
Q28	1854-1037	1	TRANSISTOR NPN SI TO-236AA PD=350MW	28480	1854-1037
Q30	1853-0567	1	TRANSISTOR PNP SI SOT-23 (TO-236AB)	28480	1853-0567
Q31	1854-1037	1	TRANSISTOR NPN SI TO-236AA PD=350MW	28480	1854-1037
Q32	1853-0567	1	TRANSISTOR PNP SI SOT-23 (TO-236AB)	28480	1853-0567
Q33	1854-1037	1	TRANSISTOR NPN SI TO-236AA PD=350MW	28480	1854-1037
Q34	1854-1037	1	TRANSISTOR NPN SI TO-236AA PD=350MW	28480	1854-1037
Q35	1854-1037	1	TRANSISTOR NPN SI TO-236AA PD=350MW	28480	1854-1037
Q36	1854-1037	1	TRANSISTOR NPN SI TO-236AA PD=350MW	28480	1854-1037
Q37	1854-1037	1	TRANSISTOR NPN SI TO-236AA PD=350MW	28480	1854-1037
Q40	1854-1188	1	TRANSISTOR NPN SI SOT-23 (TO-236AB)	28480	1854-1188
Q41	1854-1037	1	TRANSISTOR NPN SI TO-236AA PD=350MW	28480	1854-1037
Q42	1854-1270	1	TRANSISTOR NPN SI TO-261AA (SOT-223)	28480	1854-1270
Q43	1853-0724	1	TRANSISTOR PNP SI TO-261AA (SOT-223)	28480	1853-0724
Q46	1854-1037	1	TRANSISTOR NPN SI TO-236AA PD=350MW	28480	1854-1037
Q47	1853-0580	1	TRANSISTOR PNP SI SOT-23 (TO-236AB)	28480	1853-0580
R1	0699-1427	1	RESISTOR 316 +-1% .125W TKF TC=0+-100	28480	0699-1427
R2	0699-1318	1	RESISTOR 1K +-1% .125W TKF TC=0+-100	28480	0699-1318
R4	0699-1366	1	RESISTOR 82.5 +-1% .125W TKF TC=0+-100	28480	0699-1366
R5	1810-1065	1	NETWORK-RES 16-SMD 1.0K OHM X 15	28480	1810-1065
R8	1810-1064	1	NETWORK-RES 16-SMD 10.0K OHM X 15	28480	1810-1064
R10	0699-1320	1	RESISTOR 19.6K +-1% .125W TKF TC=0+-100	28480	0699-1320
R11	0699-1318	1	RESISTOR 1K +-1% .125W TKF TC=0+-100	28480	0699-1318
R12	0699-1318	1	RESISTOR 1K +-1% .125W TKF TC=0+-100	28480	0699-1318

*\*Indicates factory-selected value*

**HP Part Number 08713-60051**  
**Source (8713C/14C) (continued)**

Reference Designator	HP Part Number	Qty	Description	Mfr Code	Mfr Part Number
R13	0699-1318	1	RESISTOR 1K +-1% .125W TKF TC=0+-100	28480	0699-1318
R14	0699-1369	1	RESISTOR 1.1K +-1% .125W TKF TC=0+-100	28480	0699-1369
R15	0699-1389	1	RESISTOR 8.25K +-1% .125W TKF TC=0+-100	28480	0699-1389
R16	0699-1389	1	RESISTOR 8.25K +-1% .125W TKF TC=0+-100	28480	0699-1389
R17	0699-1382	1	RESISTOR 3.83K +-1% .125W TKF TC=0+-100	28480	0699-1382
R18	0699-1385	1	RESISTOR 5.11K +-1% .125W TKF TC=0+-100	28480	0699-1385
R19	0699-1394	1	RESISTOR 14.7K +-1% .125W TKF TC=0+-100	28480	0699-1394
R20	0699-1391	1	RESISTOR 10K +-1% .125W TKF TC=0+-100	28480	0699-1391
R22	0699-1320	1	RESISTOR 19.6K +-1% .125W TKF TC=0+-100	28480	0699-1320
R23	0699-1385	1	RESISTOR 5.11K +-1% .125W TKF TC=0+-100	28480	0699-1385
R29	0699-1415	1	RESISTOR 100 +-1% .125W TKF TC=0+-100	28480	0699-1415
R30	0699-1415	1	RESISTOR 100 +-1% .125W TKF TC=0+-100	28480	0699-1415
R31	0699-1401	1	RESISTOR 28.7K +-1% .125W TKF TC=0+-100	28480	0699-1401
R32	0699-1401	1	RESISTOR 28.7K +-1% .125W TKF TC=0+-100	28480	0699-1401
R36	0699-1318	1	RESISTOR 1K +-1% .125W TKF TC=0+-100	28480	0699-1318
R37	0699-1375	1	RESISTOR 1.96K +-1% .125W TKF TC=0+-100	28480	0699-1375
R38	0699-1401	1	RESISTOR 28.7K +-1% .125W TKF TC=0+-100	28480	0699-1401
R39	0699-1388	1	RESISTOR 7.5K +-1% .125W TKF TC=0+-100	28480	0699-1388
R41	0699-1422	1	RESISTOR 196 +-1% .125W TKF TC=0+-100	28480	0699-1422
R42	0699-1385	1	RESISTOR 5.11K +-1% .125W TKF TC=0+-100	28480	0699-1385
R43	0699-1392	1	RESISTOR 11K +-1% .125W TKF TC=0+-100	28480	0699-1392
R44	0699-1378	1	RESISTOR 2.61K +-1% .125W TKF TC=0+-100	28480	0699-1378
R45	0699-1319	1	RESISTOR 12.1K +-1% .125W TKF TC=0+-100	28480	0699-1319
R46	0699-1385	1	RESISTOR 5.11K +-1% .125W TKF TC=0+-100	28480	0699-1385
R47	0699-1424	1	RESISTOR 237 +-1% .125W TKF TC=0+-100	28480	0699-1424
R49	0699-1318	1	RESISTOR 1K +-1% .125W TKF TC=0+-100	28480	0699-1318
R50	0698-3609	1	RESISTOR 22 +-5% 2W MO TC=0+-200	28480	0698-3609
R51	0699-1375	1	RESISTOR 1.96K +-1% .125W TKF TC=0+-100	28480	0699-1375
R56	0698-3609	1	RESISTOR 22 +-5% 2W MO TC=0+-200	28480	0698-3609
R58	0699-1415	1	RESISTOR 100 +-1% .125W TKF TC=0+-100	28480	0699-1415
R59	0699-1415	1	RESISTOR 100 +-1% .125W TKF TC=0+-100	28480	0699-1415
R61	0699-1318	1	RESISTOR 1K +-1% .125W TKF TC=0+-100	28480	0699-1318
R62	0699-1318	1	RESISTOR 1K +-1% .125W TKF TC=0+-100	28480	0699-1318
R63	0699-1318	1	RESISTOR 1K +-1% .125W TKF TC=0+-100	28480	0699-1318
R64	0699-1369	1	RESISTOR 1.1K +-1% .125W TKF TC=0+-100	28480	0699-1369

**HP Part Number 08713-60051  
Source (8713C/14C) (continued)**

Reference Designator	HP Part Number	Qty	Description	Mfr Code	Mfr Part Number
R65	0699-1385	1	RESISTOR 5.11K +-1% .125W TKF TC=0+-100	28480	0699-1385
R66	0699-1385	1	RESISTOR 5.11K +-1% .125W TKF TC=0+-100	28480	0699-1385
R70	0699-1361	1	RESISTOR 51.1 +-1% .125W TKF TC=0+-100	28480	0699-1361
R71	0699-1356	1	RESISTOR 31.6 +-1% .125W TKF TC=0+-100	28480	0699-1356
R72	0699-1350	1	RESISTOR 17.8 +-1% .125W TKF TC=0+-100	28480	0699-1350
R73	0699-1350	1	RESISTOR 17.8 +-1% .125W TKF TC=0+-100	28480	0699-1350
R74	0699-1350	1	RESISTOR 17.8 +-1% .125W TKF TC=0+-100	28480	0699-1350
R75	0699-1425	1	RESISTOR 261 +-1% .125W TKF TC=0+-100	28480	0699-1425
R76	0699-1391	1	RESISTOR 10K +-1% .125W TKF TC=0+-100	28480	0699-1391
R77	0699-1415	1	RESISTOR 100 +-1% .125W TKF TC=0+-100	28480	0699-1415
R78	0699-1375	1	RESISTOR 1.96K +-1% .125W TKF TC=0+-100	28480	0699-1375
R79	0699-3932	1	RESISTOR 215 +-1% .063W TKF TC=0+-200	28480	0699-3932
R80	0699-1362	1	RESISTOR 56.2 +-1% .125W TKF TC=0+-100	28480	0699-1362
R86	0699-1385	1	RESISTOR 5.11K +-1% .125W TKF TC=0+-100	28480	0699-1385
R87	0699-1391	1	RESISTOR 10K +-1% .125W TKF TC=0+-100	28480	0699-1391
R88	0699-1388	1	RESISTOR 7.5K +-1% .125W TKF TC=0+-100	28480	0699-1388
R89	0699-1391	1	RESISTOR 10K +-1% .125W TKF TC=0+-100	28480	0699-1391
R90	0699-1385	1	RESISTOR 5.11K +-1% .125W TKF TC=0+-100	28480	0699-1385
R93	0699-1391	1	RESISTOR 10K +-1% .125W TKF TC=0+-100	28480	0699-1391
R95	0699-1365	1	RESISTOR 75 +-1% .125W TKF TC=0+-100	28480	0699-1365
R96	0699-1344	1	RESISTOR 10 +-1% .125W TKF TC=0+-100	28480	0699-1344
R97	0699-1365	1	RESISTOR 75 +-1% .125W TKF TC=0+-100	28480	0699-1365
R98	0699-1344	1	RESISTOR 10 +-1% .125W TKF TC=0+-100	28480	0699-1344
R99	0699-1367	1	RESISTOR 90.9 +-1% .125W TKF TC=0+-100	28480	0699-1367
R100	0699-1367	1	RESISTOR 90.9 +-1% .125W TKF TC=0+-100	28480	0699-1367
R101	0699-1366	1	RESISTOR 82.5 +-1% .125W TKF TC=0+-100	28480	0699-1366
R102	0699-1318	1	RESISTOR 1K +-1% .125W TKF TC=0+-100	28480	0699-1318
R103	0699-1318	1	RESISTOR 1K +-1% .125W TKF TC=0+-100	28480	0699-1318
R104	0699-1375	1	RESISTOR 1.96K +-1% .125W TKF TC=0+-100	28480	0699-1375
R110	0699-1319	1	RESISTOR 12.1K +-1% .125W TKF TC=0+-100	28480	0699-1319
R111	0699-1391	1	RESISTOR 10K +-1% .125W TKF TC=0+-100	28480	0699-1391
R112	0699-1391	1	RESISTOR 10K +-1% .125W TKF TC=0+-100	28480	0699-1391
R113	0699-1385	1	RESISTOR 5.11K +-1% .125W TKF TC=0+-100	28480	0699-1385
R114	0699-1385	1	RESISTOR 5.11K +-1% .125W TKF TC=0+-100	28480	0699-1385
R115	0699-1320	1	RESISTOR 19.6K +-1% .125W TKF TC=0+-100	28480	0699-1320

*\*Indicates factory-selected value*

**HP Part Number 08713-60051**  
**Source (8713C/14C) (continued)**

Reference Designator	HP Part Number	Qty	Description	Mfr Code	Mfr Part Number
R120	0699-1318	1	RESISTOR 1K +-1% .125W TKF TC=0+-100	28480	0699-1318
R121	0699-1369	1	RESISTOR 1.1K +-1% .125W TKF TC=0+-100	28480	0699-1369
R122	0699-1318	1	RESISTOR 1K +-1% .125W TKF TC=0+-100	28480	0699-1318
R123	0699-1318	1	RESISTOR 1K +-1% .125W TKF TC=0+-100	28480	0699-1318
R125	0699-1385	1	RESISTOR 5.11K +-1% .125W TKF TC=0+-100	28480	0699-1385
R126	0699-1385	1	RESISTOR 5.11K +-1% .125W TKF TC=0+-100	28480	0699-1385
R127	0699-1361	1	RESISTOR 51.1 +-1% .125W TKF TC=0+-100	28480	0699-1361
R128	0699-1391	1	RESISTOR 10K +-1% .125W TKF TC=0+-100	28480	0699-1391
R129	0699-1391	1	RESISTOR 10K +-1% .125W TKF TC=0+-100	28480	0699-1391
R130	0699-1385	1	RESISTOR 5.11K +-1% .125W TKF TC=0+-100	28480	0699-1385
R131	0699-1356	1	RESISTOR 31.6 +-1% .125W TKF TC=0+-100	28480	0699-1356
R132	0699-1318	1	RESISTOR 1K +-1% .125W TKF TC=0+-100	28480	0699-1318
R138	0699-1391	1	RESISTOR 10K +-1% .125W TKF TC=0+-100	28480	0699-1391
R139	0699-1388	1	RESISTOR 7.5K +-1% .125W TKF TC=0+-100	28480	0699-1388
R140	0699-1344	1	RESISTOR 10 +-1% .125W TKF TC=0+-100	28480	0699-1344
R141	0699-1344	1	RESISTOR 10 +-1% .125W TKF TC=0+-100	28480	0699-1344
R142	0699-1365	1	RESISTOR 75 +-1% .125W TKF TC=0+-100	28480	0699-1365
R143	0699-1415	1	RESISTOR 100 +-1% .125W TKF TC=0+-100	28480	0699-1415
R144	0699-1318	1	RESISTOR 1K +-1% .125W TKF TC=0+-100	28480	0699-1318
R145	0699-1427	1	RESISTOR 316 +-1% .125W TKF TC=0+-100	28480	0699-1427
R146	0699-1427	1	RESISTOR 316 +-1% .125W TKF TC=0+-100	28480	0699-1427
R148	0699-1385	1	RESISTOR 5.11K +-1% .125W TKF TC=0+-100	28480	0699-1385
R149	0699-1365	1	RESISTOR 75 +-1% .125W TKF TC=0+-100	28480	0699-1365
R150	0699-1375	1	RESISTOR 1.96K +-1% .125W TKF TC=0+-100	28480	0699-1375
R151	0699-1423	1	RESISTOR 215 +-1% .125W TKF TC=0+-100	28480	0699-1423
R152	0699-1375	1	RESISTOR 1.96K +-1% .125W TKF TC=0+-100	28480	0699-1375
R153	0699-1423	1	RESISTOR 215 +-1% .125W TKF TC=0+-100	28480	0699-1423
R160	0699-3947	1	RESISTOR 1K +-1% .063W TKF TC=0+-200	28480	0699-3947
R169	0699-3947	1	RESISTOR 1K +-1% .063W TKF TC=0+-200	28480	0699-3947
R170	0699-1424	1	RESISTOR 237 +-1% .125W TKF TC=0+-100	28480	0699-1424
R171	0699-1424	1	RESISTOR 237 +-1% .125W TKF TC=0+-100	28480	0699-1424
R172	0699-1424	1	RESISTOR 237 +-1% .125W TKF TC=0+-100	28480	0699-1424
R173	0699-1424	1	RESISTOR 237 +-1% .125W TKF TC=0+-100	28480	0699-1424
R174	0699-1318	1	RESISTOR 1K +-1% .125W TKF TC=0+-100	28480	0699-1318
R175	0699-1318	1	RESISTOR 1K +-1% .125W TKF TC=0+-100	28480	0699-1318

**HP Part Number 08713-60051**  
**Source (8713C/14C) (continued)**

Reference Designator	HP Part Number	Qty	Description	Mfr Code	Mfr Part Number
R176	0699-1370	1	RESISTOR 1.21K +-1% .125W TKF TC=0+-100	28480	0699-1370
R177	0699-3947	1	RESISTOR 1K +-1% .063W TKF TC=0+-200	28480	0699-3947
R178	0699-1365	1	RESISTOR 75 +-1% .125W TKF TC=0+-100	28480	0699-1365
R179	0699-1365	1	RESISTOR 75 +-1% .125W TKF TC=0+-100	28480	0699-1365
R180	0699-3939	1	RESISTOR 422 +-1% .063W TKF TC=0+-200	28480	0699-3939
R181	0699-1365	1	RESISTOR 75 +-1% .125W TKF TC=0+-100	28480	0699-1365
R182	0699-3939	1	RESISTOR 422 +-1% .063W TKF TC=0+-200	28480	0699-3939
R183	0699-3970	1	RESISTOR 10K +-1% .063W TKF TC=0+-200	28480	0699-3970
R184	0699-3964	1	RESISTOR 5.11K +-1% .063W TKF TC=0+-200	28480	0699-3964
R185	0699-3964	1	RESISTOR 5.11K +-1% .063W TKF TC=0+-200	28480	0699-3964
R186	0699-1365	1	RESISTOR 75 +-1% .125W TKF TC=0+-100	28480	0699-1365
R187	0699-1432	1	RESISTOR 511 +-1% .125W TKF TC=0+-100	28480	0699-1432
R216	0699-1318	1	RESISTOR 1K +-1% .125W TKF TC=0+-100	28480	0699-1318
R218	0699-1320	1	RESISTOR 19.6K +-1% .125W TKF TC=0+-100	28480	0699-1320
R219	0699-1327	1	RESISTOR 1M +-1% .125W TKF TC=0+-100	28480	0699-1327
R220	0699-1384	1	RESISTOR 4.64K +-1% .125W TKF TC=0+-100	28480	0699-1384
R221	0699-1318	1	RESISTOR 1K +-1% .125W TKF TC=0+-100	28480	0699-1318
R222	0699-1375	1	RESISTOR 1.96K +-1% .125W TKF TC=0+-100	28480	0699-1375
R223	0699-1318	1	RESISTOR 1K +-1% .125W TKF TC=0+-100	28480	0699-1318
R224	0699-1383	1	RESISTOR 4.22K +-1% .125W TKF TC=0+-100	28480	0699-1383
R225	0699-1327	1	RESISTOR 1M +-1% .125W TKF TC=0+-100	28480	0699-1327
R226	0699-1414	1	RESISTOR 90.9K +-1% .125W TKF TC=0+-100	28480	0699-1414
R227	0699-1318	1	RESISTOR 1K +-1% .125W TKF TC=0+-100	28480	0699-1318
R228	0699-1385	1	RESISTOR 5.11K +-1% .125W TKF TC=0+-100	28480	0699-1385
R229	0699-1329	1	RESISTOR 6.19K +-1% .125W TKF TC=0+-100	28480	0699-1329
R230	0699-1432	1	RESISTOR 511 +-1% .125W TKF TC=0+-100	28480	0699-1432
R231	0699-1329	1	RESISTOR 6.19K +-1% .125W TKF TC=0+-100	28480	0699-1329
R232	0699-1330	1	RESISTOR 100K +-1% .125W TKF TC=0+-100	28480	0699-1330
R233	0699-1415	1	RESISTOR 100 +-1% .125W TKF TC=0+-100	28480	0699-1415
R234	0699-1372	1	RESISTOR 1.47K +-1% .125W TKF TC=0+-100	28480	0699-1372
R235	0699-1320	1	RESISTOR 19.6K +-1% .125W TKF TC=0+-100	28480	0699-1320
R237	0699-1385	1	RESISTOR 5.11K +-1% .125W TKF TC=0+-100	28480	0699-1385
R238	0699-1386	1	RESISTOR 5.62K +-1% .125W TKF TC=0+-100	28480	0699-1386
R241	0699-1415	1	RESISTOR 100 +-1% .125W TKF TC=0+-100	28480	0699-1415
R242	0699-1415	1	RESISTOR 100 +-1% .125W TKF TC=0+-100	28480	0699-1415

*\*Indicates factory-selected value*

**HP Part Number 08713-60051**  
**Source (8713C/14C) (continued)**

Reference Designator	HP Part Number	Qty	Description	Mfr Code	Mfr Part Number
R245	0699-1425	1	RESISTOR 261 +-1% .125W TKF TC=0+-100	28480	0699-1425
R246	0699-1377	1	RESISTOR 2.37K +-1% .125W TKF TC=0+-100	28480	0699-1377
R247	0699-1329	1	RESISTOR 6.19K +-1% .125W TKF TC=0+-100	28480	0699-1329
R252	0699-1377	1	RESISTOR 2.37K +-1% .125W TKF TC=0+-100	28480	0699-1377
R253	0699-1425	1	RESISTOR 261 +-1% .125W TKF TC=0+-100	28480	0699-1425
R283	0699-1385	1	RESISTOR 5.11K +-1% .125W TKF TC=0+-100	28480	0699-1385
R284	0699-1385	1	RESISTOR 5.11K +-1% .125W TKF TC=0+-100	28480	0699-1385
R285	0699-1375	1	RESISTOR 1.96K +-1% .125W TKF TC=0+-100	28480	0699-1375
R289	0699-1432	1	RESISTOR 511 +-1% .125W TKF TC=0+-100	28480	0699-1432
R300	0699-3918	1	RESISTOR 51.1 +-1% .063W TKF TC=0+-200	28480	0699-3918
R301	0699-3910	1	RESISTOR 23.7 +-1% .063W TKF TC=0+-200	28480	0699-3910
R302	0699-3910	1	RESISTOR 23.7 +-1% .063W TKF TC=0+-200	28480	0699-3910
R303	0699-3910	1	RESISTOR 23.7 +-1% .063W TKF TC=0+-200	28480	0699-3910
R304	0699-1363	1	RESISTOR 61.9 +-1% .125W TKF TC=0+-100	28480	0699-1363
R305	0699-1363	1	RESISTOR 61.9 +-1% .125W TKF TC=0+-100	28480	0699-1363
R306	0699-3919	1	RESISTOR 61.9 +-1% .063W TKF TC=0+-200	28480	0699-3919
R307	0699-3919	1	RESISTOR 61.9 +-1% .063W TKF TC=0+-200	28480	0699-3919
R308	0699-1363	1	RESISTOR 61.9 +-1% .125W TKF TC=0+-100	28480	0699-1363
R309	0699-1363	1	RESISTOR 61.9 +-1% .125W TKF TC=0+-100	28480	0699-1363
R310	0699-1424	1	RESISTOR 237 +-1% .125W TKF TC=0+-100	28480	0699-1424
R311	0699-1424	1	RESISTOR 237 +-1% .125W TKF TC=0+-100	28480	0699-1424
R312	0699-3947	1	RESISTOR 1K +-1% .063W TKF TC=0+-200	28480	0699-3947
R313	0699-1426	1	RESISTOR 287 +-1% .125W TKF TC=0+-100	28480	0699-1426
R314	0699-1426	1	RESISTOR 287 +-1% .125W TKF TC=0+-100	28480	0699-1426
R316	0698-3622	1	RESISTOR 120 +-5% 2W MO TC=0+-200	28480	0698-3622
R317	0698-3622	1	RESISTOR 120 +-5% 2W MO TC=0+-200	28480	0698-3622
R318	0699-1345	1	RESISTOR 11 +-1% .125W TKF TC=0+-100	28480	0699-1345
R319	0699-1345	1	RESISTOR 11 +-1% .125W TKF TC=0+-100	28480	0699-1345
R320	0699-3924	1	RESISTOR 100 +-1% .063W TKF TC=0+-200	28480	0699-3924
R329	0699-3941	1	RESISTOR 511 +-1% .063W TKF TC=0+-200	28480	0699-3941
R330	0699-3954	1	RESISTOR 1.96K +-1% .063W TKF TC=0+-200	28480	0699-3954
R331	0699-3954	1	RESISTOR 1.96K +-1% .063W TKF TC=0+-200	28480	0699-3954
R334	0699-3954	1	RESISTOR 1.96K +-1% .063W TKF TC=0+-200	28480	0699-3954
R335	0699-3954	1	RESISTOR 1.96K +-1% .063W TKF TC=0+-200	28480	0699-3954
R336	0699-1432	1	RESISTOR 511 +-1% .125W TKF TC=0+-100	28480	0699-1432

**HP Part Number 08713-60051  
Source (8713C/14C) (continued)**

Reference Designator	HP Part Number	Qty	Description	Mfr Code	Mfr Part Number
R340	0699-1432	1	RESISTOR 511 +-1% .125W TKF TC=0+-100	28480	0699-1432
R342	0699-1432	1	RESISTOR 511 +-1% .125W TKF TC=0+-100	28480	0699-1432
R345	0699-1362	1	RESISTOR 56.2 +-1% .125W TKF TC=0+-100	28480	0699-1362
R346	0699-1362	1	RESISTOR 56.2 +-1% .125W TKF TC=0+-100	28480	0699-1362
R349	0699-1432	1	RESISTOR 511 +-1% .125W TKF TC=0+-100	28480	0699-1432
R350	0699-1420	1	RESISTOR 162 +-1% .125W TKF TC=0+-100	28480	0699-1420
R351	0699-1420	1	RESISTOR 162 +-1% .125W TKF TC=0+-100	28480	0699-1420
R352	0699-3964	1	RESISTOR 5.11K +-1% .063W TKF TC=0+-200	28480	0699-3964
R353	0699-3954	1	RESISTOR 1.96K +-1% .063W TKF TC=0+-200	28480	0699-3954
R360	0699-1422	1	RESISTOR 196 +-1% .125W TKF TC=0+-100	28480	0699-1422
R361	0699-1422	1	RESISTOR 196 +-1% .125W TKF TC=0+-100	28480	0699-1422
R362	0699-1391	1	RESISTOR 10K +-1% .125W TKF TC=0+-100	28480	0699-1391
R363	0699-1385	1	RESISTOR 5.11K +-1% .125W TKF TC=0+-100	28480	0699-1385
R364	0699-1375	1	RESISTOR 1.96K +-1% .125W TKF TC=0+-100	28480	0699-1375
R370	0699-1385	1	RESISTOR 5.11K +-1% .125W TKF TC=0+-100	28480	0699-1385
R371	0699-1385	1	RESISTOR 5.11K +-1% .125W TKF TC=0+-100	28480	0699-1385
R372	0699-1391	1	RESISTOR 10K +-1% .125W TKF TC=0+-100	28480	0699-1391
R373	0699-1415	1	RESISTOR 100 +-1% .125W TKF TC=0+-100	28480	0699-1415
R374	0699-1415	1	RESISTOR 100 +-1% .125W TKF TC=0+-100	28480	0699-1415
R375	0699-1391	1	RESISTOR 10K +-1% .125W TKF TC=0+-100	28480	0699-1391
R376	0699-1427	1	RESISTOR 316 +-1% .125W TKF TC=0+-100	28480	0699-1427
R377	0699-1443	1	RESISTOR 147K +-1% .125W TKF TC=0+-100	28480	0699-1443
R400	0699-1350	1	RESISTOR 17.8 +-1% .125W TKF TC=0+-100	28480	0699-1350
R401	0699-1350	1	RESISTOR 17.8 +-1% .125W TKF TC=0+-100	28480	0699-1350
R402	0699-1350	1	RESISTOR 17.8 +-1% .125W TKF TC=0+-100	28480	0699-1350
R403	0699-1375	1	RESISTOR 1.96K +-1% .125W TKF TC=0+-100	28480	0699-1375
R404	0699-1415	1	RESISTOR 100 +-1% .125W TKF TC=0+-100	28480	0699-1415
R405	0699-1362	1	RESISTOR 56.2 +-1% .125W TKF TC=0+-100	28480	0699-1362
R406	0699-3932	1	RESISTOR 215 +-1% .063W TKF TC=0+-200	28480	0699-3932
R407	0699-1425	1	RESISTOR 261 +-1% .125W TKF TC=0+-100	28480	0699-1425
R450	0699-1375	1	RESISTOR 1.96K +-1% .125W TKF TC=0+-100	28480	0699-1375
R451	0699-1375	1	RESISTOR 1.96K +-1% .125W TKF TC=0+-100	28480	0699-1375
R454	0699-1375	1	RESISTOR 1.96K +-1% .125W TKF TC=0+-100	28480	0699-1375
R455	0699-1375	1	RESISTOR 1.96K +-1% .125W TKF TC=0+-100	28480	0699-1375
R456	0699-3902	1	RESISTOR 11 +-1% .063W TKF TC=0+-200	28480	0699-3902

*\*Indicates factory-selected value*



**HP Part Number 08713-60051**  
**Source (8713C/14C) (continued)**

Reference Designator	HP Part Number	Qty	Description	Mfr Code	Mfr Part Number
R457	0699-3902	1	RESISTOR 11 +1% .063W TKF TC=0+-200	28480	0699-3902
R458	0699-1436	1	RESISTOR 750 +1% .125W TKF TC=0+-100	28480	0699-1436
R459	0699-3924	1	RESISTOR 100 +1% .063W TKF TC=0+-200	28480	0699-3924
R460	0699-1432	1	RESISTOR 511 +1% .125W TKF TC=0+-100	28480	0699-1432
R461	0699-1422	1	RESISTOR 196 +1% .125W TKF TC=0+-100	28480	0699-1422
R462	0699-1422	1	RESISTOR 196 +1% .125W TKF TC=0+-100	28480	0699-1422
R463	0699-3964	1	RESISTOR 5.11K +1% .063W TKF TC=0+-200	28480	0699-3964
R464	0699-3954	1	RESISTOR 1.96K +1% .063W TKF TC=0+-200	28480	0699-3954
R474	0699-1362	1	RESISTOR 56.2 +1% .125W TKF TC=0+-100	28480	0699-1362
R475	0699-1362	1	RESISTOR 56.2 +1% .125W TKF TC=0+-100	28480	0699-1362
R484	0699-1432	1	RESISTOR 511 +1% .125W TKF TC=0+-100	28480	0699-1432
R521	0699-1432	1	RESISTOR 511 +1% .125W TKF TC=0+-100	28480	0699-1432
R522	0699-1391	1	RESISTOR 10K +1% .125W TKF TC=0+-100	28480	0699-1391
R523	0699-1391	1	RESISTOR 10K +1% .125W TKF TC=0+-100	28480	0699-1391
R524	0699-1320	1	RESISTOR 19.6K +1% .125W TKF TC=0+-100	28480	0699-1320
R525	0699-1320	1	RESISTOR 19.6K +1% .125W TKF TC=0+-100	28480	0699-1320
R526	0699-1318	1	RESISTOR 1K +1% .125W TKF TC=0+-100	28480	0699-1318
R527	0699-1385	1	RESISTOR 5.11K +1% .125W TKF TC=0+-100	28480	0699-1385
R528	0699-1375	1	RESISTOR 1.96K +1% .125W TKF TC=0+-100	28480	0699-1375
R530	0699-1362	1	RESISTOR 56.2 +1% .125W TKF TC=0+-100	28480	0699-1362
R531	0699-1318	1	RESISTOR 1K +1% .125W TKF TC=0+-100	28480	0699-1318
R532	0699-1386	1	RESISTOR 5.62K +1% .125W TKF TC=0+-100	28480	0699-1386
R540	0698-3605	1	RESISTOR 15 +5% 2W MO TC=0+-200	28480	0698-3605
R541	0698-3605	1	RESISTOR 15 +5% 2W MO TC=0+-200	28480	0698-3605
R542	0699-1391	1	RESISTOR 10K +1% .125W TKF TC=0+-100	28480	0699-1391
R543	0699-1425	1	RESISTOR 261 +1% .125W TKF TC=0+-100	28480	0699-1425
R544	0699-1372	1	RESISTOR 1.47K +1% .125W TKF TC=0+-100	28480	0699-1372
R545	0699-1435	1	RESISTOR 681 +1% .125W TKF TC=0+-100	28480	0699-1435
R546	0699-1369	1	RESISTOR 1.1K +1% .125W TKF TC=0+-100	28480	0699-1369
R548	0699-1318	1	RESISTOR 1K +1% .125W TKF TC=0+-100	28480	0699-1318
R549	0699-1329	1	RESISTOR 6.19K +1% .125W TKF TC=0+-100	28480	0699-1329
R550	0699-1318	1	RESISTOR 1K +1% .125W TKF TC=0+-100	28480	0699-1318
R551	0699-1318	1	RESISTOR 1K +1% .125W TKF TC=0+-100	28480	0699-1318
R552	0764-0033	1	RESISTOR 33 +5% 2W MO TC=0+-200	28480	0764-0033
R553	0699-1432	1	RESISTOR 511 +1% .125W TKF TC=0+-100	28480	0699-1432

**HP Part Number 08713-60051**  
**Source (8713C/14C) (continued)**

Reference Designator	HP Part Number	Qty	Description	Mfr Code	Mfr Part Number
R600	0699-1427	1	RESISTOR 316 +-1% .125W TKF TC=0+-100	28480	0699-1427
R601	0699-1427	1	RESISTOR 316 +-1% .125W TKF TC=0+-100	28480	0699-1427
R602	0699-1427	1	RESISTOR 316 +-1% .125W TKF TC=0+-100	28480	0699-1427
R603	0699-1427	1	RESISTOR 316 +-1% .125W TKF TC=0+-100	28480	0699-1427
R604	0699-3947	1	RESISTOR 1K +-1% .063W TKF TC=0+-200	28480	0699-3947
R607	0699-3947	1	RESISTOR 1K +-1% .063W TKF TC=0+-200	28480	0699-3947
R608	0699-3947	1	RESISTOR 1K +-1% .063W TKF TC=0+-200	28480	0699-3947
R610	0699-3947	1	RESISTOR 1K +-1% .063W TKF TC=0+-200	28480	0699-3947
R612	0699-3954	1	RESISTOR 1.96K +-1% .063W TKF TC=0+-200	28480	0699-3954
R613	0699-3947	1	RESISTOR 1K +-1% .063W TKF TC=0+-200	28480	0699-3947
R614	0699-3964	1	RESISTOR 5.11K +-1% .063W TKF TC=0+-200	28480	0699-3964
R617	0699-3970	1	RESISTOR 10K +-1% .063W TKF TC=0+-200	28480	0699-3970
R618	0699-3939	1	RESISTOR 422 +-1% .063W TKF TC=0+-200	28480	0699-3939
R619	0699-3939	1	RESISTOR 422 +-1% .063W TKF TC=0+-200	28480	0699-3939
R620	0699-1365	1	RESISTOR 75 +-1% .125W TKF TC=0+-100	28480	0699-1365
R621	0699-1365	1	RESISTOR 75 +-1% .125W TKF TC=0+-100	28480	0699-1365
R622	0699-1365	1	RESISTOR 75 +-1% .125W TKF TC=0+-100	28480	0699-1365
R623	0699-3964	1	RESISTOR 5.11K +-1% .063W TKF TC=0+-200	28480	0699-3964
R624	0699-3970	1	RESISTOR 10K +-1% .063W TKF TC=0+-200	28480	0699-3970
R626	0699-3954	1	RESISTOR 1.96K +-1% .063W TKF TC=0+-200	28480	0699-3954
R627	0699-3924	1	RESISTOR 100 +-1% .063W TKF TC=0+-200	28480	0699-3924
R628	0699-3924	1	RESISTOR 100 +-1% .063W TKF TC=0+-200	28480	0699-3924
R629	0699-3964	1	RESISTOR 5.11K +-1% .063W TKF TC=0+-200	28480	0699-3964
R630	0699-1415	1	RESISTOR 100 +-1% .125W TKF TC=0+-100	28480	0699-1415
R631	0699-1365	1	RESISTOR 75 +-1% .125W TKF TC=0+-100	28480	0699-1365
R632	0699-3934	1	RESISTOR 261 +-1% .063W TKF TC=0+-200	28480	0699-3934
R640	0699-3947	1	RESISTOR 1K +-1% .063W TKF TC=0+-200	28480	0699-3947
R641	0699-3947	1	RESISTOR 1K +-1% .063W TKF TC=0+-200	28480	0699-3947
R642	0699-3947	1	RESISTOR 1K +-1% .063W TKF TC=0+-200	28480	0699-3947
R643	0699-3947	1	RESISTOR 1K +-1% .063W TKF TC=0+-200	28480	0699-3947
R644	0699-3947	1	RESISTOR 1K +-1% .063W TKF TC=0+-200	28480	0699-3947
R645	0699-1367	1	RESISTOR 90.9 +-1% .125W TKF TC=0+-100	28480	0699-1367
R900	0699-3943	1	RESISTOR 681 +-1% .063W TKF TC=0+-200	28480	0699-3943
R905	0699-1415	1	RESISTOR 100 +-1% .125W TKF TC=0+-100	28480	0699-1415
R906	0699-1415	1	RESISTOR 100 +-1% .125W TKF TC=0+-100	28480	0699-1415

*\*Indicates factory-selected value*

**HP Part Number 08713-60051**  
**Source (8713C/14C) (continued)**

Reference Designator	HP Part Number	Qty	Description	Mfr Code	Mfr Part Number
RT1	0837-0461	1	THERMISTOR RECT 1K-OHM TC=+.79%/C-DEG	02910	KTY82/110
TP1	1251-0600	1	CONNECTOR-SGL CONT PIN 1.14-MM-BSC-SZ SQ	03418	16-06-0034
TP2	1251-0600	1	CONNECTOR-SGL CONT PIN 1.14-MM-BSC-SZ SQ	03418	16-06-0034
TP3	1251-0600	1	CONNECTOR-SGL CONT PIN 1.14-MM-BSC-SZ SQ	03418	16-06-0034
TP4	1251-0600	1	CONNECTOR-SGL CONT PIN 1.14-MM-BSC-SZ SQ	03418	16-06-0034
TP5	1251-0600	1	CONNECTOR-SGL CONT PIN 1.14-MM-BSC-SZ SQ	03418	16-06-0034
TP7	1251-0600	1	CONNECTOR-SGL CONT PIN 1.14-MM-BSC-SZ SQ	03418	16-06-0034
TP8	1251-0600	1	CONNECTOR-SGL CONT PIN 1.14-MM-BSC-SZ SQ	03418	16-06-0034
TP9	1251-0600	1	CONNECTOR-SGL CONT PIN 1.14-MM-BSC-SZ SQ	03418	16-06-0034
TP10	1251-0600	1	CONNECTOR-SGL CONT PIN 1.14-MM-BSC-SZ SQ	03418	16-06-0034
TP11	1251-0600	1	CONNECTOR-SGL CONT PIN 1.14-MM-BSC-SZ SQ	03418	16-06-0034
TP12	1251-0600	1	CONNECTOR-SGL CONT PIN 1.14-MM-BSC-SZ SQ	03418	16-06-0034
TP14	1251-0600	1	CONNECTOR-SGL CONT PIN 1.14-MM-BSC-SZ SQ	03418	16-06-0034
TP15	1251-0600	1	CONNECTOR-SGL CONT PIN 1.14-MM-BSC-SZ SQ	03418	16-06-0034
TP19	1251-0600	1	CONNECTOR-SGL CONT PIN 1.14-MM-BSC-SZ SQ	03418	16-06-0034
TP21	1251-0600	1	CONNECTOR-SGL CONT PIN 1.14-MM-BSC-SZ SQ	03418	16-06-0034
TP22	1251-0600	1	CONNECTOR-SGL CONT PIN 1.14-MM-BSC-SZ SQ	03418	16-06-0034
TP23	1251-0600	1	CONNECTOR-SGL CONT PIN 1.14-MM-BSC-SZ SQ	03418	16-06-0034
U1	1826-2965	1	IC RF/IF AMPL SINGLE 4 PIN U-WAVE-PILL	28480	1826-2965
U2	1826-2965	1	IC RF/IF AMPL SINGLE 4 PIN U-WAVE-PILL	28480	1826-2965
U3	1826-2965	1	IC RF/IF AMPL SINGLE 4 PIN U-WAVE-PILL	28480	1826-2965
U4	1826-2496	1	IC RF/IF AMPL GP 4 PIN U-WAVE-PILL	28480	1826-2496
U5	1826-2496	1	IC RF/IF AMPL GP 4 PIN U-WAVE-PILL	28480	1826-2496
U6	1820-5605	1	IC GATE ECL/10KH NOR QUAD 2-INP	28480	1820-5605
U7	1820-5609	1	IC CNTR ECL/10KH HEXADEC SYNCHRO	28480	1820-5609
U8	0955-0734	1	VOLTAGE CONTROLLED OSC FREQ: 2250 TO	03291	VO92-1281
U9	1826-1810	1	IC OP AMP LOW-BIAS-H-IMPD SINGLE 8 PIN	28480	1826-1810
U10	1820-5629	1	IC FF ECL/10KH D-M/S POS-EDGE-TRIG	28480	1820-5629
U11	1826-2987	1	IC OP AMP LOW-NOISE DUAL 8 PIN	28480	1826-2987
U13	1820-7311	1	IC PRESCR ECL	28480	1820-7311
U14	1821-1410	1	IC PRESCR ECL DIV-X-4 BFR	28480	1821-1410
U15	1826-2175	1	IC RF/IF AMPL SINGLE 4 PIN U-WAVE-PILL	28480	1826-2175
U16	1826-1991	1	IC OP AMP HS SINGLE 8 PIN PLSTC-SOIC	28480	1826-1991
U21	0955-0748	1	U-WAVE MIXER 4.17 GHZ MAX	02739	ROK-4300-LH-1
U22	1826-0393	1	IC PWR MGT-V-REG-ADJ-POS 1.2/37V 3 PINS	28480	1826-0393

**HP Part Number 08713-60051  
Source (8713C/14C) (continued)**

Reference Designator	HP Part Number	Qty	Description	Mfr Code	Mfr Part Number
U23	1813-0825	1	U-WAVE 2.4 GHZ MAX	03291	VO90-3177
U24	1820-6957	1	IC PRESCR ECL	28480	1820-6957
U25	1820-7311	1	IC PRESCR ECL	28480	1820-7311
U29	1820-5945	1	IC GATE CMOS/AC NAND QUAD 2-INP	02237	74AC00SCX.
U30	1820-5937	1	IC FF CMOS/AC D-TYPE POS-EDGE-TRIG	02237	74AC74SC.
U31	1820-7246	1	IC CNTR CMOS/AC BIN SYNC/ASYN	28480	1820-7246
U32	1820-7246	1	IC CNTR CMOS/AC BIN SYNC/ASYN	28480	1820-7246
U33	1820-5937	1	IC FF CMOS/AC D-TYPE POS-EDGE-TRIG	02237	74AC74SC.
U34	1820-5937	1	IC FF CMOS/AC D-TYPE POS-EDGE-TRIG	02237	74AC74SC.
U35	1820-6391	1	IC GATE CMOS/AC EXCL-OR QUAD 2-INP	28480	1820-6391
U37	1820-5937	1	IC FF CMOS/AC D-TYPE POS-EDGE-TRIG	02237	74AC74SC.
U38	1826-1862	1	IC OP AMP LOW-BIAS-H-IMP DUAL 8 PIN	28480	1826-1862
U39	1826-1912	1	IC OP AMP H-SLEW-RATE DUAL 8 PIN	28480	1826-1912
U40	1826-1925	1	IC OP AMP LOW-NOISE SINGLE 8 PIN	28480	1826-1925
U41	1826-1912	1	IC OP AMP H-SLEW-RATE DUAL 8 PIN	28480	1826-1912
U42	1813-0825	1	U-WAVE 2.4 GHZ MAX	03291	VO90-3177
U43	1820-7246	1	IC CNTR CMOS/AC BIN SYNC/ASYN	28480	1820-7246
U44	1826-1862	1	IC OP AMP LOW-BIAS-H-IMP DUAL 8 PIN	28480	1826-1862
U45	1820-7246	1	IC CNTR CMOS/AC BIN SYNC/ASYN	28480	1820-7246
U46	1820-5937	1	IC FF CMOS/AC D-TYPE POS-EDGE-TRIG	02237	74AC74SC.
U47	1820-5937	1	IC FF CMOS/AC D-TYPE POS-EDGE-TRIG	02237	74AC74SC.
U48	1820-5945	1	IC GATE CMOS/AC NAND QUAD 2-INP	02237	74AC00SCX.
U49	1820-6957	1	IC PRESCR ECL	28480	1820-6957
U50	1820-7311	1	IC PRESCR ECL	28480	1820-7311
U51	1826-0221	1	IC PWR MGT-V-REG-FXD-NEG -11.5/-12.5V	28480	1826-0221
U52	1826-0393	1	IC PWR MGT-V-REG-ADJ-POS 1.2/37V 3 PINS	28480	1826-0393
U53	1821-0919	1	IC DIVR ECL/10E DIV-X-2	28480	1821-0919
U54	1820-6158	1	IC CNTR TTL/F BIN SYNCHRO POS-EDGE-TRIG	02237	74F163ASCX.
U55	1820-5938	1	IC GATE CMOS/ACT NAND QUAD 2-INP	02237	74ACT00SCX.
U56	1820-6391	1	IC GATE CMOS/AC EXCL-OR QUAD 2-INP	28480	1820-6391
U57	1821-0919	1	IC DIVR ECL/10E DIV-X-2	28480	1821-0919
U58	1826-2175	1	IC RF/IF AMPL SINGLE 4 PIN U-WAVE-PILL	28480	1826-2175
U59	1826-2147	1	ANALOG MULTIPLEXER 8 CHNL 16 -P-SOIC	28480	1826-2147
U60	1826-2404	1	D/A 12-BIT 20-PLCC CMOS	28480	1826-2404
U61	1826-1646	1	IC PWR MGT-V-REG-FXD-POS 4.975/5.025V	28480	1826-1646

*\*Indicates factory-selected value*

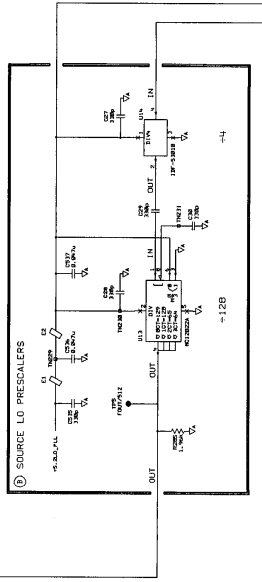
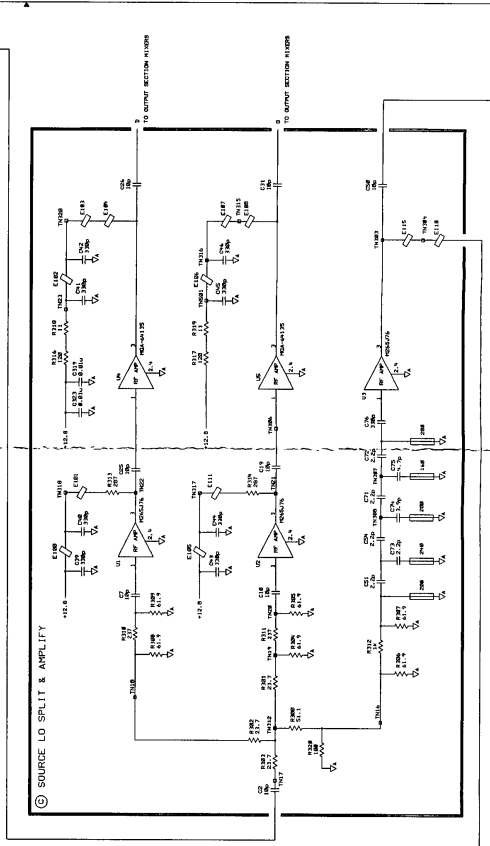
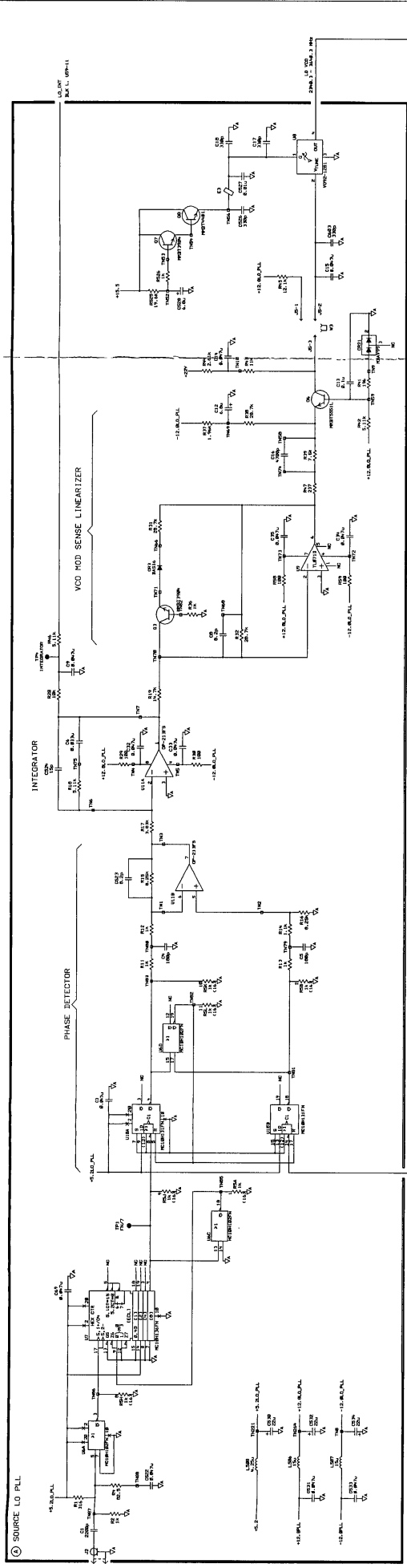
**HP Part Number 08713-60051  
Source (8713C/14C) (continued)**

Reference Designator	HP Part Number	Qty	Description	Mfr Code	Mfr Part Number
U62	1826-1912	1	IC OP AMP H-SLEW-RATE DUAL 8 PIN	28480	1826-1912
U63	1820-5732	1	IC LCH CMOS/HC D-TYPE OCTL	28480	1820-5732
U64	1820-5808	1	IC FF CMOS/HC D-TYPE POS-EDGE-TRIG COM	28480	1820-5808
U65	1820-5808	1	IC FF CMOS/HC D-TYPE POS-EDGE-TRIG COM	28480	1820-5808
U66	1820-4215	1	IC DCDR-DEMUXR CMOS/HC BIN 3-TO-8-LINE	28480	1820-4215
U67	1826-2569	1	MICROWAVE SWITCH SPDT 8 -P-SOIC	28480	1826-2569
U68	1826-2569	1	MICROWAVE SWITCH SPDT 8 -P-SOIC	28480	1826-2569
U69	1826-1912	1	IC OP AMP H-SLEW-RATE DUAL 8 PIN	28480	1826-1912
U70	1826-2965	1	IC RF/IF AMPL SINGLE 4 PIN U-WAVE-PILL	28480	1826-2965
U71	1826-2569	1	MICROWAVE SWITCH SPDT 8 -P-SOIC	28480	1826-2569
U72	1826-2569	1	MICROWAVE SWITCH SPDT 8 -P-SOIC	28480	1826-2569
U73	1826-2965	1	IC RF/IF AMPL SINGLE 4 PIN U-WAVE-PILL	28480	1826-2965
U74	1826-1601	1	IC PWR MGT-V-REF-ADJ 2.5/36V 8 PINS	28480	1826-1601
U75	0955-0748	1	U-WAVE MIXER 4.17 GHZ MAX	02739	ROK-4300-LH-1
U76	1826-1912	1	IC OP AMP H-SLEW-RATE DUAL 8 PIN	28480	1826-1912
U77	1826-0393	1	IC PWR MGT-V-REG-ADJ-POS 1.2/37V 3 PINS	28480	1826-0393
U78	1826-1572	1	IC COMPARATOR PRCN DUAL 8 PIN PLSTC-SOIC	28480	1826-1572
U79	1GG3-4202	1	TC-525 MEGAPAK	28480	1GG3-4202
U80	1826-2175	1	IC RF/IF AMPL SINGLE 4 PIN U-WAVE-PILL	28480	1826-2175
U81	1826-2175	1	IC RF/IF AMPL SINGLE 4 PIN U-WAVE-PILL	28480	1826-2175
VR3	1902-0953	1	DIODE-ZNR 6.2V 5% DO-35 PD=.4W TC=+.053%	02037	SZ30035-11RL
VR5	1902-0958	1	DIODE-ZNR 10V 5% DO-35 PD=.4W TC=+.075%	02037	SZ30035-16RL
VR6	1902-0966	1	DIODE-ZNR 22V 5% DO-35 PD=.4W TC=+.093%	02037	SZ30035-24RL
VR16	1902-0952	1	DIODE-ZNR 5.6V 5% DO-35 PD=.4W TC=+.046%	02037	SZ30035-10RL
W1	1258-0141	1	JUMPER-REMOVABLE FOR 0.025 IN SQ PINS	01380	530153-2
W2	1258-0141	1	JUMPER-REMOVABLE FOR 0.025 IN SQ PINS	01380	530153-2
W3	1258-0141	1	JUMPER-REMOVABLE FOR 0.025 IN SQ PINS	01380	530153-2





S 300 AA 34411 D-08713-60051-1  
 REVISIONS APPROVED DATE  
 A AS ISSUED PER ROD 53-1129/R/S 10-29-97



HP PROPRIETARY  
 THIS DOCUMENT CONTAINS CONFIDENTIAL INFORMATION.  
 RELEASE TO THE PUBLIC IS PROHIBITED.  
 OTHERS EXCEPT AS AUTHORIZED BY HP.  
 SUPERSEDES: JWG

DATE: \_\_\_\_\_  
 DRAWN BY: \_\_\_\_\_  
 ENGINEER/DESIGNER: \_\_\_\_\_  
 CHECKED BY: \_\_\_\_\_  
 APPROVED BY: \_\_\_\_\_

SCHEMATIC, PWA SOURCE  
 SCALE: NONE  
 SHEET 1 OF 5 (08713-6005)  
 D-08713-60051-1

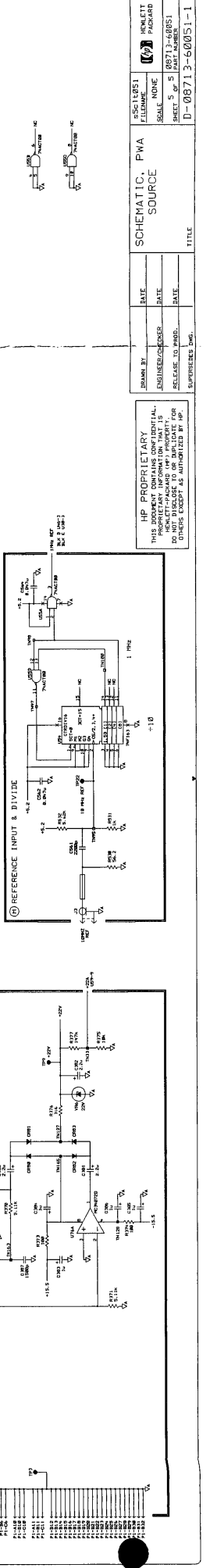
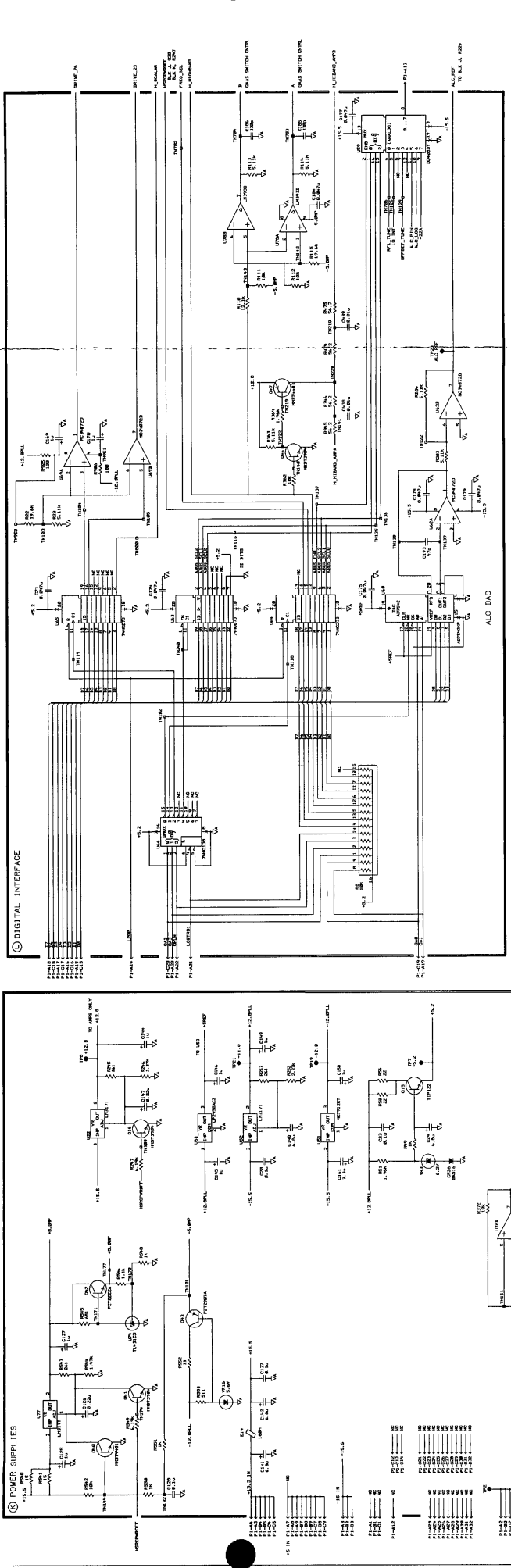
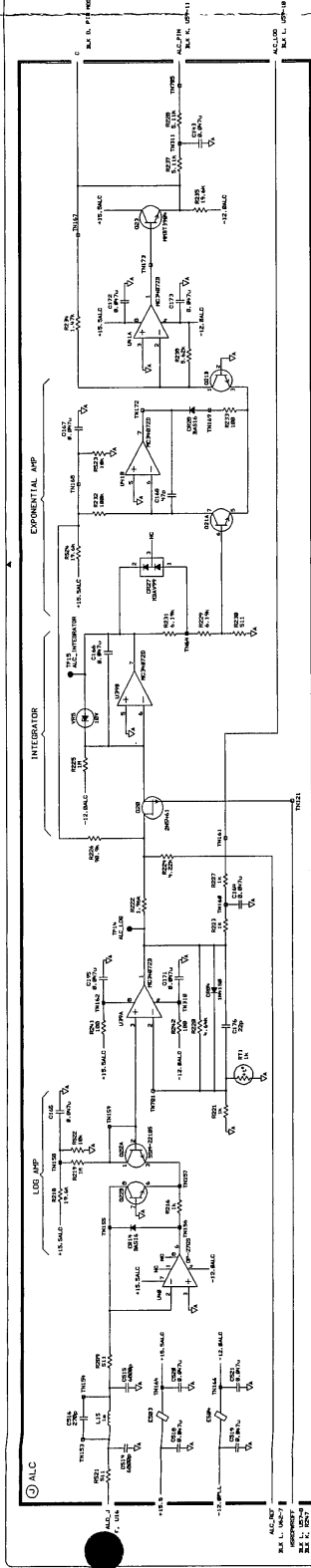
DATE: \_\_\_\_\_  
 TITLE: \_\_\_\_\_











HP PROPRIETARY  
 THIS DOCUMENT CONTAINS CONFIDENTIAL INFORMATION.  
 REPLICATING, TRANSMITTING, OR DISTRIBUTING THIS DOCUMENT WITHOUT THE WRITTEN PERMISSION OF HEWLETT-PACKARD COMPANY IS PROHIBITED.  
 OTHERS EXCEPT AS AUTHORIZED BY HP.

DATE: \_\_\_\_\_  
 ENGINEER/CHECKER: \_\_\_\_\_  
 RELEASE TO: \_\_\_\_\_  
 SUPPLIER: \_\_\_\_\_

DATE: \_\_\_\_\_  
 DATE: \_\_\_\_\_  
 DATE: \_\_\_\_\_

SCHEMATIC, PWA SOURCE  
 08713-60051-1  
 5  
 08713-60051-1  
 HEWLETT PACKARD  
 D-08713-60051-1