

Agilent 16047D Test Fixture

Operation and Service Manual

Third Edition

Agilent Technologies Japan, Ltd.

Agilent PN 16047-90300



May 2000

Printed in Japan

Notices

The information contained in this document is subject to change without notice.

This document contains proprietary information that is protected by copyright. All rights are reserved. No part of this document may be photocopied, reproduced, or translated to another language without the prior written consent of the Agilent Technologies.

Agilent Technologies Japan, Ltd.

Component Test PGU-Kobe

1-3-2, Murotani, Nishi-Ku, Kobe-shi, Hyogo, 651-2241 Japan

Copyright © 1985, 1999, 2000 Agilent Technologies Japan, Ltd.

Manual Printing History

The manual's printing date and part number indicate its current edition. The printing date changes when a new edition is printed. (Minor corrections and updates that are incorporated at reprint do not cause the date to change.) The manual part number changes when extensive technical changes are incorporated.

November 1985 First Edition (part number : 16047-90300)

August 1999 Second Edition (part number : 16047-90300)

May 2000 Third Edition (part number : 16047-90300)

Safety Summary

The following general safety precautions must be observed during all phases of operation, service, and repair of this instrument. Failure to comply with these precautions or with specific WARNINGS elsewhere in this manual may impair the protection provided by the equipment. In addition it violates safety standards of design, manufacture, and intended use of the instrument.

The Agilent Technologies assumes no liability for the customer's failure to comply with these requirements.

NOTE

16047D comply with INSTALLATION CATEGORY I and POLLUTION DEGREE 2 in IEC61010-1. 16047D are INDOOR USE product.

- **Ground The Instrument**

To avoid electric shock hazard, the instrument chassis and cabinet must be connected to a safety earth ground by the supplied power cable with earth blade.
- **DO NOT Operate In An Explosive Atmosphere**

Do not operate the instrument in the presence of flammable gasses or fumes. Operation of any electrical instrument in such an environment constitutes a definite safety hazard.
- **Keep Away From Live Circuits**

Operating personnel must not remove instrument covers. Component replacement and internal adjustments must be made by qualified maintenance personnel. Do not replace components with the power cable connected. Under certain conditions, dangerous voltages may exist even with the power cable removed. To avoid injuries, always disconnect power and discharge circuits before touching them.
- **DO NOT Service Or Adjust Alone**

Do not attempt internal service or adjustment unless another person, capable of rendering first aid and resuscitation, is present.
- **DO NOT Substitute Parts Or Modify Instrument**

Because of the danger of introducing additional hazards, do not install substitute parts or perform unauthorized modifications to the instrument. Return the instrument to a Agilent Technologies Sales and Service Office for service and repair to ensure that safety features are maintained.
- **Dangerous Procedure Warnings**

Warnings, such as the example below, precede potentially dangerous procedures throughout this manual. Instructions contained in the warnings must be followed.

WARNING

Dangerous voltages, capable of causing death, are presenting this instrument. Use extreme caution when handling, testing, and adjusting this instrument.

Certification

Agilent Technologies certifies that this product met its published specifications at the time of shipment from the factory. Agilent Technologies further certifies that its calibration measurements are traceable to the United States National Institute of Standards and Technology, to the extent allowed by the Institution's calibration facility, or to the calibration facilities of other International Standards Organization members.

Warranty

This Agilent Technologies instrument product is warranted against defects in material and workmanship for a period corresponding to the individual warranty periods of its component products. Instruments are warranted for a period of one year. Fixtures and adapters are warranted for a period of 90 days. During the warranty period, Agilent Technologies will, at its option, either repair or replace products that prove to be defective.

For warranty service or repair, this product must be returned to a service facility designated by Agilent Technologies. Buyer shall prepay shipping charges to Agilent Technologies and Agilent Technologies shall pay shipping charges to return the product to Buyer. However, Buyer shall pay all shipping charges, duties, and taxes for products returned to Agilent Technologies from another country.

Agilent Technologies warrants that its software and firmware designated by Agilent Technologies for use with an instrument will execute its programming instruction when properly installed on that instrument. Agilent Technologies does not warrant that the operation of the instrument, or software, or firmware will be uninterrupted or error free.

Limitation Of Warranty

The foregoing warranty shall not apply to defects resulting from improper or inadequate maintenance by Buyer, Buyer-supplied software or interfacing, unauthorized modification or misuse, operation outside the environmental specifications for the product, or improper site preparation or maintenance.

IMPORTANT

No other warranty is expressed or implied. Agilent Technologies specifically disclaims the implied warranties of merchantability and fitness for a particular purpose.

Exclusive Remedies

The remedies provided herein are buyer's sole and exclusive remedies. Agilent Technologies shall not be liable for any direct, indirect, special, incidental, or consequential damages, whether based on contract, tort, or any other legal theory.

Assistance

Product maintenance agreements and other customer assistance agreements are available for Agilent Technologies products.

For any assistance, contact your nearest Agilent Technologies Sales and Service Office. Addresses are provided at the back of this manual.

Safety Symbol

General definitions of safety symbols used on the instrument or in manuals are listed below.



Instruction Manual symbol: the product is marked with this symbol when it is necessary for the user to refer to the instrument manual.

WARNING

This warning sign denotes a hazard. It calls attention to a procedure, practice, condition or the like, which, if not correctly performed or adhered to, could result in injury or death to personnel.

CAUTION

This Caution sign denotes a hazard. It calls attention to a procedure, practice, condition or the like, which, if not correctly performed or adhered to, could result in damage to or destruction of part or all of the product.

NOTE

Note denotes important information. It calls attention to a procedure, practice, condition or the like, which is essential to highlight.

Contents

1. Operation	
Product Description	10
Specifications	11
Typical Characteristics	12
Compensation for Fixture Residual Impedance Error	13
2. Service	
Maintenance	16

1 **Operation**

This operation note provides the information necessary to use and service the 16047D Test Fixture. Specifications are given in Table 1-2, the test fixture is shown in Figure 1-1, and the dimensions of the contacts are shown in Table 1-2. Table 2-1 is a list of part numbers and is used for parts identification.

Product Description

The 16047D is a direct-attachment test fixture used for the general purpose measurement of axial and radial lead components. Three kinds of contact inserts are furnished to simplify connections. The 16047D connects directly to the UNKNOWN input terminals of Agilent Technologies's 4-terminal pair impedance measurement instruments, and converts the 4-terminal pair configuration to a 2-terminal Configuration.

Figure 1-1 shows three contact inserts. Contact assembly (1) is used for axial lead component measurements. For radial lead component measurements contact assemblies (2) or (3) are used. These parts number is listed in Table 1-1. Table 1-2 shows the dimensions of the contact inserts. The two-pair sockets of the contact assembly (1) can be configured three ways to match a component's lead length.

Figure 1-1 16047D Test Fixture

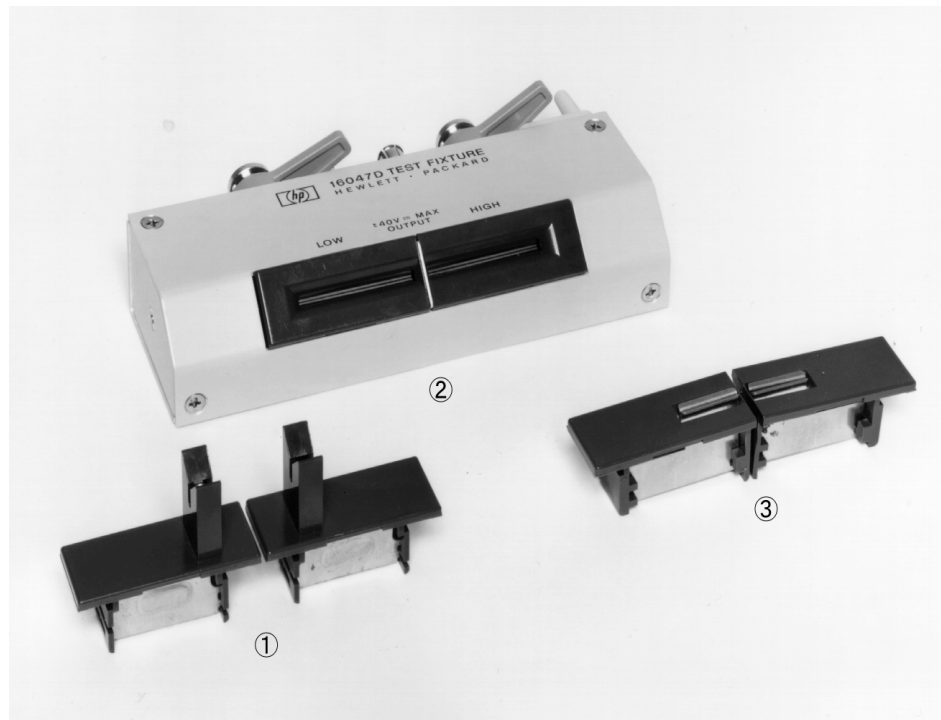


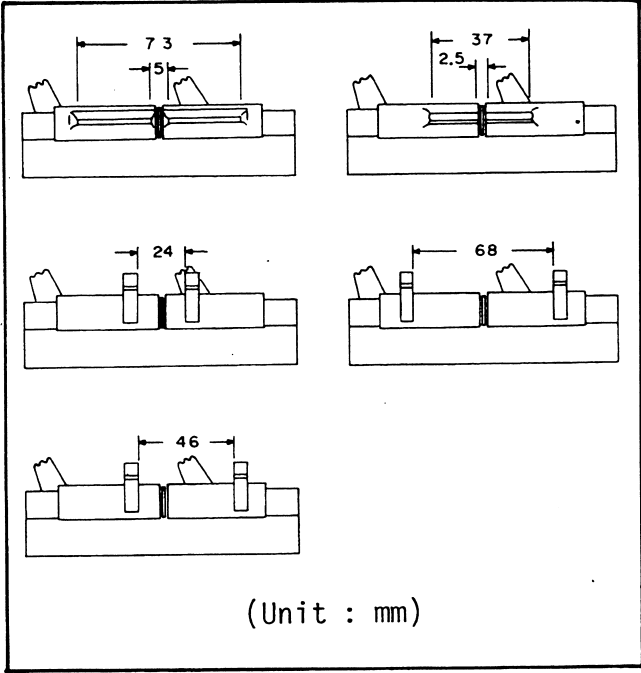
Table 1-1 Part number

	Agilent Part No.
1	16061-70022
2	16061-65001
3	16047-70021

Specifications

Table 1-2

Specifications of the 16047D

Function:	For use with 4 terminal-pair LCR Meters and Impedance Analyzers.
Measurable components:	Axial and radial lead components.
Contact Inserts:	Three kinds: one for axial lead components, one for radial lead components, and one for radial short lead components.
Dimensions of Test Fixture Contacts:	 <p>(Unit : mm)</p>
Frequency:	100 Hz to 40 MHz
Maximum Voltage:	± 40 V peak max. (AC+DC)
Dimensions of test fixture:	124 (W) × 31 (D) × 62 (H) mm
Weight:	230 g
Safety Standards:	EN61010-1:1993 +A2:1995 IEC61010-1:1990 +A1:1992 +A2:1995 CSA C22.2 No.1010.1:1992 INSTALLATION CATEGORY I POLLUTION DEGREE 2 INDOOR USE

Typical Characteristics

NOTE

Here, f is the test frequency in MHz. The incremental errors calculated from the equations given in this table are additive when measurements are made above 1 MHz. The incremental error is applicable after completion of the Open/Short compensation.

Table 1-3

Typical characteristics

Incremental Error at $f \geq 1\text{MHz}$	
Parameter reading error	Offset Value for D
$\pm 1.25 \times \left(\frac{f}{10}\right)$	$\pm 0.0125 \times \left(\frac{f}{10}\right)^2$

Figure 1-2

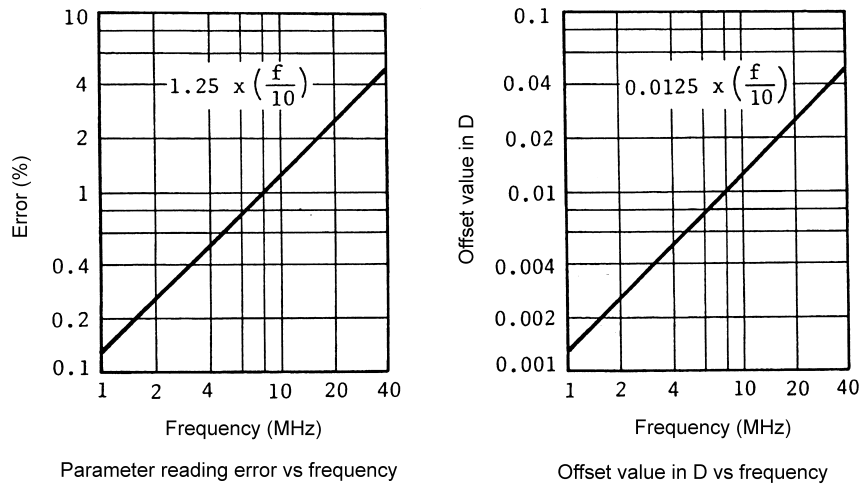


Table 1-4

Uncertainty of residual impedance

Frequency range: DC to 40 MHz	$C < 0.1 \text{ pF}$
	$L < 1 \text{ nH}$
	$R < 0.1 \Omega$

Compensation for Fixture Residual Impedance Error

The 16047D has inherent stray capacitance, residual inductance, and residual resistance that affect the accuracy of measured values. To compensate for, or negate, these residuals to minimize measurement error, the instrument's Open/Short compensation procedure should be performed. The procedure is given in the instrument's operating manual.

2 **Service**

Maintenance

Figure 2-1 shows an exploded view of the 16047D test fixture and a list of the replaceable parts. Do not disassemble the unit any further than shown. Maintenance consists principally of cleaning the contacts and replacing worn or damaged parts. Take special care when cleaning contacts. When ordering parts, use the Agilent part numbers listed in Table 2-1. If a faulty part is located in an assembly that can not be disassembled, order the next higher assembly or return the whole device to the nearest Agilent Technologies Sales/Service Office for repair or replacement. Note that part numbers 25 and 26 (Contact Assy.) are soldered assemblies.

Figure 2-1 Parts Identification

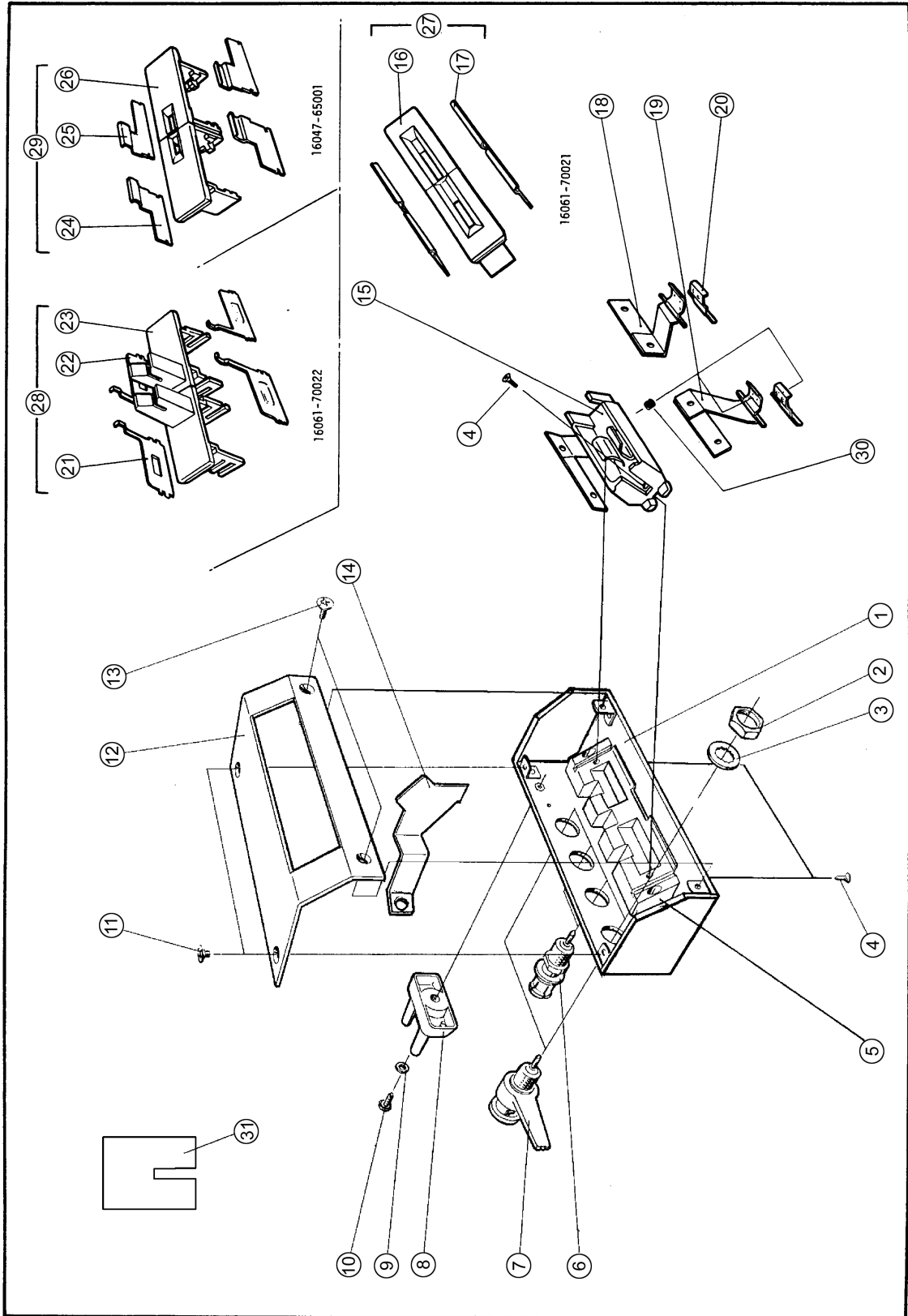


Table 2-1

Replaceable Parts List

Reference	Agilent Part No.	Qty.	Description
1	16047-04014	1	BOTTOM COVER
2	2950-0043	4	NUT
3	2190-0016	4	WASHER
4	0515-1467	4	SCREW
5	16061-50022	1	BASE
6	1250-1798	2	BNC CONNECTOR
7	16012-7122	2	BNC ASSY.
8	16047-40000	1	STOPPER
9	2190-0206	1	WASHER
10	0515-1550	1	SCREW
11	0515-0914	2	SCREW
12	16047-04012	1	TOP COVER
13	0515-0914	2	SCREW
14	16047-00619	1	SHIELD PLATE
15	16061-50024	2	SOCKET
16	16061-50031	2	SOCKET-RADIAL
17	16061-10031	4	CONTACT-RADIAL
18	16047-60003	1	CONTACT ASSY.
19	16047-60004	1	CONTACT ASSY.
20	16061-10026	2	CONTACT
21	16061-10033	2	CONTACT-AXIAL
22	16061-10032	2	CONTACT-AXIAL
23	16061-50032	2	SOCKET-AXIAL
24	16047-00604	2	CONTACT.RADIAL (SHORT)
25	16047-00605	2	CONTACT-RADIAL (SHORT)
26	16047-40001	2	SOCKET-RADIAL (SHORT)
27	16061-70021	2	RADIAL SOCKET ASSY.
28	16061-70022	2	AXIAL SOCKET ASSY.

Reference	Agilent Part No.	Qty.	Description
29	16047-65001	2	RADIAL SOCKET ASSY. (SHORT)
30	1460-2116	4	SPRING
31	5000-4226	1	SHORT BAR