

Agilent 4263B LCR Meter Service Manual

SERIAL NUMBERS

This manual applies directly to instruments with serial number prefix JP1KD.
For additional important information about serial numbers, read
“Instruments Covered by This Manual” in Chapter 1 of this manual.



Agilent Part No. 04263-90033
Printed in JAPAN June 2000

Notice

The information contained in this document is subject to change without notice.

This document contains proprietary information that is protected by copyright. All rights are reserved. No part of this document may be photocopied, reproduced, or translated to another language without the prior written consent of the Agilent Technologies Company.

Agilent Technologies Japan, Ltd.
Component Test PGU-Kobe
1-3-2, Murotani, Nishi-ku, Kobe-shi,
Hyogo, 651-2241 Japan

Manual Printing History

August 1996 First Edition (part number: 04263-90033)
June 2000 Second Edition (part number: 04263-90033)

Safety Summary

The following general safety precautions must be observed during all phases of operation, service, and repair of this instrument. Failure to comply with these precautions or with specific **WARNINGS** elsewhere in this manual may impair the protection provided by the equipment. In addition it violates safety standards of design, manufacture, and intended use of the instrument.

The Agilent Technologies Company assumes no liability for the customer's failure to comply with these requirements.

Note 4263B complies with INSTALLATION CATEGORY II and POLLUTION DEGREE 2 in IEC1010-1. 4263B is INDOOR USE product.



Ground The Instrument

To avoid electric shock hazard, the instrument chassis and cabinet must be connected to a safety earth ground by the supplied power cable with earth blade.

DO NOT Operate In An Explosive Atmosphere

Do not operate the instrument in the presence of flammable gasses or fumes. Operation of any electrical instrument in such an environment constitutes a definite safety hazard.

Keep Away From Live Circuits

Operating personnel must not remove instrument covers. Component replacement and internal adjustments must be made by qualified maintenance personnel. Do not replace components with the power cable connected. Under certain conditions, dangerous voltages may exist even with the power cable removed. To avoid injuries, always disconnect power and discharge circuits before touching them.

DO NOT Service Or Adjust Alone

Do not attempt internal service or adjustment unless another person, capable of rendering first aid and resuscitation, is present.

DO NOT Substitute Parts Or Modify Instrument

Because of the danger of introducing additional hazards, do not install substitute parts or perform unauthorized modifications to the instrument. Return the instrument to a Agilent Technologies Sales and Service Office for service and repair to ensure that safety features are maintained.

Dangerous Procedure Warnings

Warnings , such as the example below, precede potentially dangerous procedures throughout this manual. Instructions contained in the warnings must be followed.

Warning **Dangerous voltages, capable of causing death, are present in this instrument. Use extreme caution when handling, testing, and adjusting this instrument.**



Certification

Agilent Technologies Company certifies that this product met its published specifications at the time of shipment from the factory. Agilent Technologies further certifies that its calibration measurements are traceable to the United States National Institute of Standards and Technology, to the extent allowed by the Institution's calibration facility, or to the calibration facilities of other International Standards Organization members.

Warranty

This Agilent Technologies instrument product is warranted against defects in material and workmanship for a period of one year from the date of shipment, except that in the case of certain components listed in *General Information* of this manual, the warranty shall be for the specified period. During the warranty period, Agilent Technologies Company will, at its option, either repair or replace products that prove to be defective.

For warranty service or repair, this product must be returned to a service facility designated by Agilent Technologies. Buyer shall prepay shipping charges to Agilent Technologies and Agilent Technologies shall pay shipping charges to return the product to Buyer. However, Buyer shall pay all shipping charges, duties, and taxes for products returned to Agilent Technologies from another country.

Agilent Technologies warrants that its software and firmware designated by Agilent Technologies for use with an instrument will execute its programming instruction when properly installed on that instrument. Agilent Technologies does not warrant that the operation of the instrument, or software, or firmware will be uninterrupted or error free.

Limitation Of Warranty

The foregoing warranty shall not apply to defects resulting from improper or inadequate maintenance by Buyer, Buyer-supplied software or interfacing, unauthorized modification or misuse, operation outside the environmental specifications for the product, or improper site preparation or maintenance.

No other warranty is expressed or implied. Agilent Technologies specifically disclaims the implied warranties of merchantability and fitness for a particular purpose.

Exclusive Remedies

The remedies provided herein are buyer's sole and exclusive remedies. Agilent Technologies shall not be liable for any direct, indirect, special, incidental, or consequential damages, whether based on contract, tort, or any other legal theory.

Assistance

Product maintenance agreements and other customer assistance agreements are available for Agilent Technologies products.

For any assistance, contact your nearest Agilent Technologies Sales and Service Office. Addresses are provided at the back of this manual.

Safety Symbols

General definitions of safety symbols used on equipment or in manuals are listed below.



Instruction manual symbol: the product is marked with this symbol when it is necessary for the user to refer to the instruction manual.



Alternating current.



Direct current.



On (Supply).



Off (Supply).



Frame or chassis terminal

Warning



This **Warning** sign denotes a hazard. It calls attention to a procedure, practice, condition or the like, which, if not correctly performed or adhered to, could result in injury or death to personnel.

Caution



This **Caution** sign denotes a hazard. It calls attention to a procedure, practice, condition or the like, which, if not correctly performed or adhered to, could result in damage to or destruction of part or all of the product.

Note



Note denotes important information. It calls attention to a procedure, practice, condition or the like, which is essential to highlight.

Documentation Map

Operation Manual

Operation Manual (Agilent Part Number: 04263-90010 for English edition, 04263-97010 for Japanese edition) explains specifications, basic measurement explanations, and how to verify conformance to published specifications.

Service Manual

Service Manual (Agilent Part Number: 04263-90033) explains how to adjust, troubleshoot, and repair the 4263B.

How To Use This Manual

This is the Service Manual for the 4263B LCR Meter. This manual contains adjustments and repair information, and consists of the following four chapters.

Chapter 1 General Information

Chapter 1 gives general information for servicing the 4263B. This chapter lists the recommended equipment for adjustments and troubleshooting.

Chapter 2 Adjustments

Chapter 2 describes the adjustments, required to ensure that the 4263B is within its published specifications after it has been repaired, or it fails the performance tests.

Chapter 3 Assembly Replacement

Chapter 3 provides the information on replacing the 4263B assemblies. The information includes replaceable assembly lists, and removal and installation procedures.

Chapter 4 Troubleshooting

Chapter 4 provides the information on troubleshooting the 4263B. The information includes theory of operation and information on faulty assembly isolation.

Appendix A Manual Changes

Appendix A contains manual changes and provides information for using this manual with 4263Bs manufactured before the printing date of the manual.

Appendix B Default Jumper and Switch Settings

Appendix B describes the settings of the jumpers and switches on the 4263B A2 CPU Board Assembly. The information is required when the A2 assembly is replaced.

Contents

1. General Information	
Introduction	1-1
Instruments Covered by This Manual	1-1
Required Equipment	1-2
2. Adjustments	
Introduction	2-1
Safety Consideration	2-1
Required Equipment	2-1
Adjustment Tools	2-2
Adjustable Components	2-2
Factory-Selected Components	2-2
EEPROM Write Protect Switch	2-2
Related Adjustments	2-2
Adjustment Program	2-3
Program Installation	2-5
Making a Working Copy	2-5
Defining the Configuration	2-5
Program Execution	2-5
Adjustments Procedure References	2-7
Signal Source Level Adjustment	2-7
Equipment	2-7
Setup	2-7
Impedance Measurement 0m Adjustment	2-8
Equipment	2-8
Setup	2-8
Impedance Measurement 1m Adjustment	2-9
Equipment	2-9
Setup	2-9
Impedance Measurement 2m Adjustment	2-10
Impedance Measurement 4m Adjustment	2-10
3. Assembly Replacement	
Introduction	3-1
Ordering Information	3-1
Restored Exchange Assemblies	3-1
Replacing the A2 CPU Board Assembly	3-2
Replaceable Assembly List	3-2
Replaceable Mechanical Parts List	3-5
Disassembly Procedures	3-9
Tools and Fasteners	3-9
Cover Removal	3-9
A1 Main Board Removal	3-10
Removal Procedure	3-10
A2 CPU Board Assembly Removal	3-10
Removal Procedure	3-10

A5 AC Inlet Board Assembly Removal	3-10
Removal Procedure	3-10
Keyboard Assembly Removal	3-11
Removal Procedure	3-11
LCD Assembly Removal	3-11
Removal Procedure	3-11
BNC Connector Removal	3-11
Removal Procedure	3-11
4. Troubleshooting	
Introduction	4-1
Safety Considerations	4-1
Required Equipment	4-1
After Service Product Safety Checks	4-2
Theory of Operation	4-3
Overall Measurement Theory	4-3
Overall Block Diagram	4-4
Analog Section	4-5
Signal Source Section	4-6
Transducer Section	4-7
Vector Ratio Detector Section	4-8
Transformer Parameter Measurement (Option 001 only)	4-8
Digital Section	4-9
Power Supply Section	4-10
Troubleshooting	4-11
Check Procedure References	4-13
Check 1, DC-DC Converter Output Voltage	4-13
Check 2, LCD Displays Anything?	4-14
Check 3, LCD Operates Correctly?	4-14
Check 4, Any Error Message on LCD?	4-14
Check 5, CPU Related Error Message?	4-14
Check 6, CPU Power LED Lights?	4-14
Check 7, Any Error Code on LED?	4-15
Check 8, CPU Fuse High Lead Voltage	4-16
Check 9, Fuse and Line Switch	4-16
Check 10, DC-DC Converter Input Voltage	4-17
Check 11, DC-DC Converter Open Output Voltages	4-18
Check 12, Transformer Secondary Voltage	4-19
A. Manual Changes	
Introduction	A-1
Manual Changes	A-1
B. Default Jumper and Switch Settings	
Introduction	B-1
Jumper and Switch Settings	B-1

Index

Figures

1-1. Serial Number Label	1-1
2-1. Adjustment Program Flow	2-3
2-2. Signal Source Level Adjustment Setup	2-7
2-3. Impedance Measurement 0m Adjustment Setup	2-8
2-4. Impedance Measurement 1m Adjustment Setup	2-9
3-1. Cover Removal	3-9
4-1. Voltage Current Ratio Measurement Principle	4-3
4-2. 4263B Overall Block Diagram	4-4
4-3. Analog Section Block Diagram	4-5
4-4. Signal Source Section Block Diagram	4-6
4-5. Transducer Block Diagram	4-7
4-6. Vector Ratio Detector Block Diagram	4-8
4-7. Basic Transformer Measurement Setup	4-8
4-8. Digital Section Block Diagram	4-9
4-9. Power Supply Section Block Diagram	4-10
4-10. Troubleshooting Flow Chart	4-12
4-11. DC-DC Converter Output Voltage Check	4-13
4-12. CPU Board Assembly LED Light Sequence	4-15
4-13. Location of High Lead of A2F1 Fuse	4-16
4-14. DC-DC Converter Input Voltage Check	4-17
4-15. DC-DC Converter Output Connector	4-18
4-16. Transformer Secondary Voltage Check	4-19
B-1. Jumper and Switch Settings	B-1

Tables

1-1. Required Equipment	1-2
1-2. Required Language Extensions	1-2
2-1. Related Adjustments	2-2
3-1. Replaceable Major Assembly List	3-3
3-2. A2 CPU Board Assembly, Replaceable Assembly List	3-4
3-3. Replaceable Assembly List	3-4
3-4. Replaceable Mechanical Parts List 1	3-5
3-5. Replaceable Mechanical Parts List 2	3-6
3-6. Replaceable Mechanical Parts List 3	3-7
3-7. Replaceable Mechanical Parts List 4	3-8
4-1. DC-DC Converter Output Voltage (Connected)	4-13
4-2. DC-DC Converter Open Output Voltages	4-18
A-1. Manual Changes by Serial Number	A-1

General Information

Introduction

This chapter provides information on instruments covered by this manual and required equipment for the adjustments and troubleshooting.

Instruments Covered by This Manual

Agilent Technologies uses a two-section, nine character serial number which is printed on the serial number label (Figure 1-1) attached to the instrument's rear panel. The first five characters are the serial prefix, and the last five digits are the suffix.



Figure 1-1. Serial Number Label

An instrument manufactured after the printing date of this manual may have a serial number prefix that is not listed on the title page. This unlisted serial number prefix indicates the instrument is different from those described in this manual. The manual for this new instrument may be accompanied by a yellow Manual Changes supplement or have a different manual part number. This sheet contains “change information” that explains how to adapt the manual to the newer instrument.

In addition to change information, the supplement may contain information for correcting errors (Errata) in the manual. To keep this manual as current and accurate as possible, Agilent Technologies recommends that you periodically request the latest Manual Changes supplement. The supplement for this manual is identified by this manual's printing date and its part number, both of which appear on the manual's title page. Complimentary copies of the supplement are available from Agilent Technologies. If the serial prefix or number of an instrument is lower than that on the title page of this manual, see *Appendix A, Manual Changes*. For information concerning, a serial number prefix that is not listed on the title page or in the Manual Change supplement, contact the nearest Agilent Technologies office.

Required Equipment

Table 1-1 lists the required equipment for adjusting and troubleshooting the 4263B. Table 1-2 lists the required language extensions to be used with the adjustment program.

Table 1-1. Required Equipment

Equipment	Requirements	Recommended Model	Qty.	Use
Multimeter	AC V Accuracy: < 2.5% (at 100 kHz)	3458A or 3478A	1	A ¹ , T ²
Standard Resistors	No Substitute	42030A	1	A
Open Termination	No Substitute	42090A ³	1	A
Short Termination	No Substitute	42091A ³	1	A
Computer	No Substitute	HP 9000 series 200 or 300 ⁴ RAM ≥ 4M bytes	1	A
Operating System	BASIC 5.1 or higher	HP 98616A	1	A
Adjustment Program	No substitute	Agilent PN 04263-65005	1	A
Cable	BNC(m)-BNC(m) Cable	Agilent PN 8120-1839	1	A
	Dual Banana-BNC(m) Cable	Agilent PN 11001-60001	1	A
	Test Leads (1 m)	16048A	1	A
	Test Leads (2 m)	16048D	1	A
	Test Leads (4 m)	16048E	1	A
Adapter	BNC(f)-BNC(f) Adapter	Agilent PN 1250-0080	4	A

1 Adjustment

2 Troubleshooting

3 This model is also included in the 42100A, Four Terminal Pair Resistor Set

4 Excluding the HP 9826A

Table 1-2. Required Language Extensions

Name	Ver.	Name	Ver.	Name	Ver.	Name	Ver.
CLOCK	5.0	CS80	5.0 ¹	GRAPH	5.2	KBD	5.1
COMPLEX	5.1	EDIT	5.1	GRAPHX	5.2	MAT	5.1
CRTA	5.1	ERR	5.1	GPIB	5.0	MS	5.1
CRTX	5.1	FGPIB	5.0	IO	5.1	PDEV	5.0

1 This language extension depends on the mass storage type used.

Adjustments

Introduction

This chapter describes the adjustments required to ensure the 4263B is within its published specifications after it has been repaired, or when it fails the performance tests. The adjustments should be performed along with periodic maintenance to keep the 4263B in optimum operating condition. If proper performance cannot be achieved after adjustments, proceed to Chapter 4.

Note

To ensure proper results and correct instrument operation, a 30 minute warm-up and stabilization is required before performing the adjustments.

Safety Consideration

This chapter contains *NOTES*, *CAUTIONS*, and *WARNINGS* which must be followed to ensure operator safety and to maintain the instrument in a safe and serviceable condition. The adjustments covered in this chapter should be performed only by a qualified person who is aware of the hazards.

Warning

Any interruption of the protective ground conductor (inside or outside the instrument) or disconnection of the protective ground terminal can make the instrument dangerous. Intentional interruption of the protective ground system for any reason is prohibited.

Required Equipment

Table 1-1 lists the equipment required to perform the adjustments. Use only calibrated test equipment when adjusting the 4263B.

Adjustment Tools

No hand tools are required for the adjustments.

Adjustable Components

There are no adjustable components, such as variable capacitors or variable resistors, in the 4263B. All adjustments are performed by updating the adjustment data stored in the internal EEPROM.

Factory-Selected Components

No factory-selected components are used in the 4263B.

EEPROM Write Protect Switch

There are no EEPROM write protect switches in the 4263B.

Related Adjustments

There are two adjustments for the 4263B. Table 2-1 lists the adjustments that must be performed if an assembly has been replaced.

Table 2-1. Related Adjustments

Assembly Replaced	Required Adjustment
A1 Main Board Assy	All adjustments
A2 CPU Board Assy without ROM	None ¹
A5 AC Inlet Board Assy	None
LCD Assembly	None
DC-DC Converter Unit	None
Keyboard Assembly	None

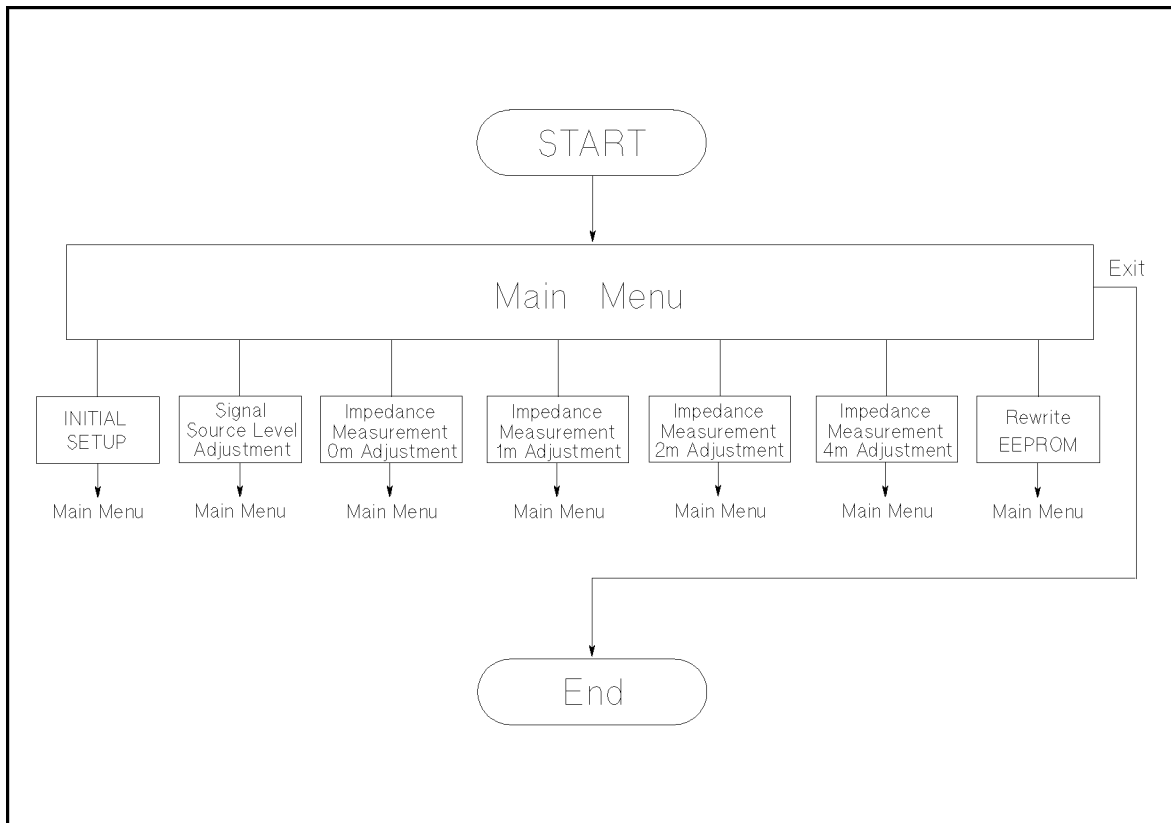
¹ If the EEPROM, A2U1, is replaced, all adjustments are required.

Adjustment Program

The adjustment program listed in Table 1-1 is required for the adjustments. Using the program, the computer controls the 4263B and the other pieces of equipment to obtain the adjustment data, and stores the data in the 4263B internal EEPROM, A2U1.

The adjustment program runs on the computer listed in Table 1-1. The program should be installed into your computer according to the procedure described in "Program Installation". To start the program after it has been installed, refer to the "Program Execution".

Figure 2-1 shows the adjustment program flow. The following lists the brief explanation for each menu item. At the end of each adjustment, the program writes the obtained adjustment data both to the 4263B internal EEPROM and to the unit-serial-number dependent file on the disk.



L7502001

Figure 2-1. Adjustment Program Flow

INITIAL SETUP

defines the standards' calibration values. Update the standard's calibration values if necessary.


Signal Source Level Adjustment


obtains the data to adjust the actual signal source output voltage to the set value. This adjustment should be performed if any performance test fails.


Impedance Measurement 0m Adjustment

obtains the data to adjust the actual measurement impedance to the standards' value, when no test leads are used. This adjustment should be performed if the performance test, Impedance Measurement Accuracy Test, fails. *Perform the Signal Source Level Adjustment prior to this adjustment.*

Impedance Measurement 1m Adjustment	obtains the data to adjust the actual measurement impedance to the standards' value, when the 1m test leads are used. This adjustment should be performed if the performance test, Impedance Measurement Accuracy Test, fails. <i>Perform the Impedance Measurement 0m Adjustment prior to this adjustment.</i>
Impedance Measurement 2m Adjustment	obtains the data to adjust the actual measurement impedance to the standards' value, when the 2m test leads are used. This adjustment should be performed if the performance test, Impedance Measurement Accuracy Test, fails. <i>Perform the Impedance Measurement 0m Adjustment prior to this adjustment.</i>
Impedance Measurement 4m Adjustment	obtains the data to adjust the actual measurement impedance to the standards' value, when the 4m test leads are used. This adjustment should be performed if the performance test, Impedance Measurement Accuracy Test, fails. <i>Perform the Impedance Measurement 0m Adjustment prior to this adjustment.</i>
Rewrite EEPROM	writes the adjustment data, which is stored in the unit-serial-number dependent file, to the EEPROM. Only the adjustment data of previously adjusted item(s) will be written.

Note  Make sure that the correct line frequency (50 or 60Hz) has been selected in the "UUT: 4263B" window preceding the Main Menu. This selection will improve the adjustment data accuracy.

Note  Because the Impedance Measurement 0m Adjustment serves the reference data for the other Impedance Measurement Adjustments, it must have been performed prior to the 1m, 2m, and 4m adjustments.

Note  Although performing some of the Impedance Measurement Adjustments may satisfy the user's requirement (e.g. for users using the 4m test leads only for the application), it is strongly recommended to perform all the Impedance Measurement Adjustments. If only one of the 1m, 2m, and 4m adjustments is performed after the 0m adjustment, the data for the remaining Impedance Measurement Adjustments are invalid. For example, if only the 4m adjustment is performed after the 0m adjustment, the measurement accuracy for the 1m and 2m may be out of the specification.

Program Installation

The adjustment program must be installed in the computer using the following procedures. The installation can be divided into two stages, "Making a Working Copy" and "Defining the Configuration".

Making a Working Copy

Copy the contents of the adjustment program disk to a working disk or to the harddisk to prevent the program files from accidental deletion or destruction. Use the working disk or the harddisk and store the original disk in a safe place.

Defining the Configuration

Define the configuration of the adjustment equipment. The configuration includes the type and the GPIB address of the multimeter to be used. Because the program depends on equipment configuration, it must be redefined if the equipment configuration has changed.

Refer to the following procedure to define the configuration.

1. Turn on the computer and bring up the BASIC system.
2. Set the Mass Storage Unit Specifier to the drive/directory where the adjustment program exists using the MSI command.
3. Load the "TE_A4263B" file from the adjustment program disk by pressing
LOAD "TE_A4263B" (Return) (or Enter).
4. Run the loaded program by pressing RUN.
5. As the program instructs, select the type of the multimeter to be used and enter its GPIB address.

Note

Once the multimeter type and GPIB addresses are set, they cannot be changed unless the configuration is redefined.



Program Execution

Perform the following steps to start the adjustment program.

Note

Install the program prior to execution. Refer to "Program Installation".



-
1. Turn on the computer and bring up the BASIC system. Refer to the Table 1-2 for the required language extensions.
 2. Set the Mass Storage Unit Specifier to the drive/directory where the adjustment program exists using the MSI command.
 3. Load the program, "ADJ4263B" by pressing LOAD "ADJ4263B" (Return) (or Enter).
 4. Execute the program by pressing RUN.

Note

In the program, the 4263B is referred as “UUT”.



Note

If the adjustment being performed follows right after EEPROM replacement, change switch A2SW1-1 to “CLOSE”, so that the 4263B will ignore the self test errors at power-on. (Return the switch to “OPEN” when the adjustment has been completed.) Refer to Figure B-1 for the switch location.



Adjustments Procedure References

This section provides supplemental information for the adjustments which are performed by the program. Connection instructions and some additional explanations are provided. Use this chapter as a reference when performing the adjustments.

A adjustment of the 4263B consists of the following five adjustments.

- Signal Source Level Adjustment
- Impedance Measurement 0m Adjustment
- Impedance Measurement 1m Adjustment
- Impedance Measurement 2m Adjustment
- Impedance Measurement 4m Adjustment

Signal Source Level Adjustment

This adjustment updates the signal source level adjustment data stored in the EEPROM. The data adjust the actual signal source level to the set value.

Equipment

Multimeter	3458A
Dual Banana-BNC(m) Cable	PN 11001-60001

Setup

This setup obtains the signal source level adjustment data.

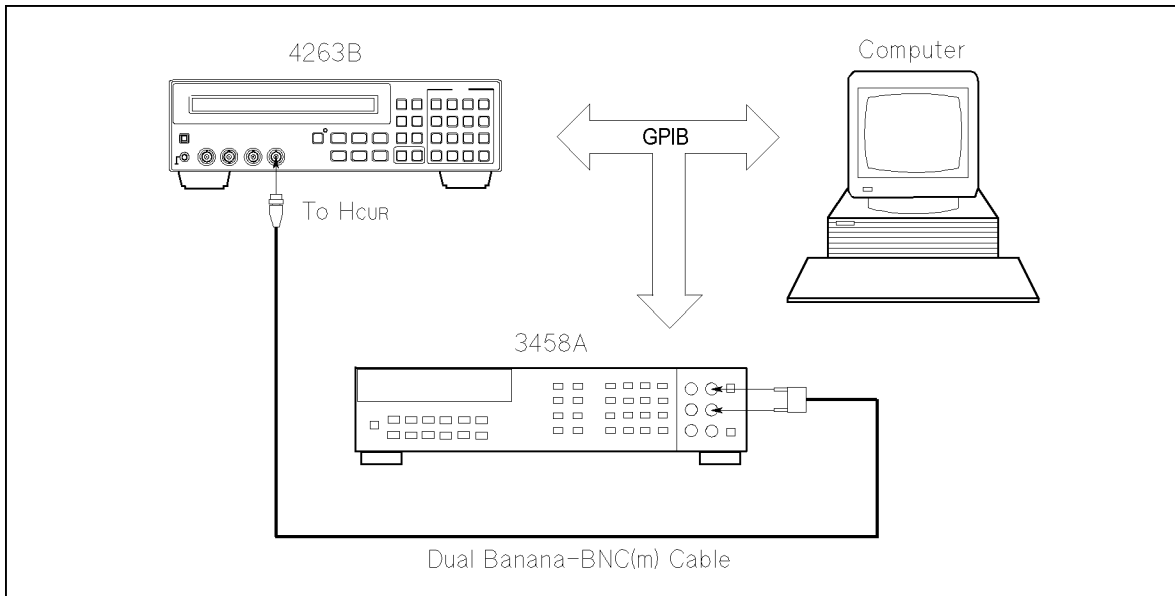


Figure 2-2. Signal Source Level Adjustment Setup

Perform the following steps as the program instructs.

1. Connect the Dual Banana-BNC(m) cable to the 3458A's INPUT binding posts.
2. Connect another end of the Dual Banana-BNC(m) cable to the 4263B's H_{CUR} Connector.

Impedance Measurement 0m Adjustment

This adjustment updates the data to adjust the measurement impedance to the standard values, when no test leads are used.

Note



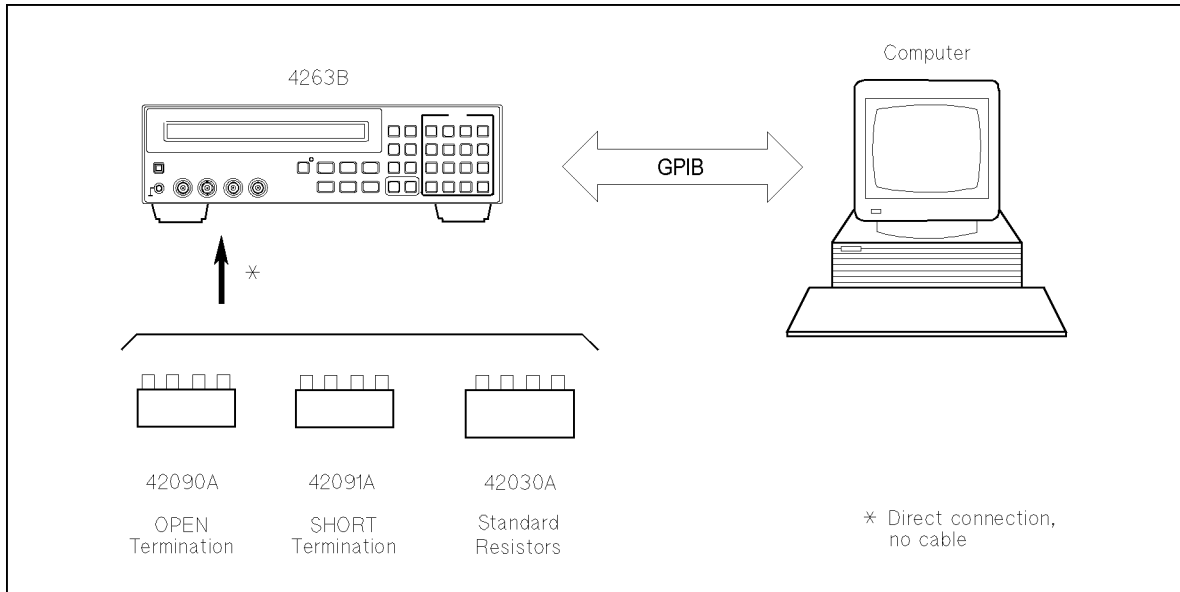
Perform the Signal Source Level Adjustment prior to performing this adjustment.

Equipment

Standard Resistors	42030A
Open Termination	42090A
Short Termination	42091A

Setup

This setup obtains the impedance measurement adjustment data for 0 m test leads (no test leads).



LC502002

Figure 2-3. Impedance Measurement 0m Adjustment Setup

Perform the following steps as the program instructs.

1. Connect the specified termination or standard resistor directly to the 4263B UNKNOWN Connectors.
2. Repeat step 1 as instructed.

Impedance Measurement 1m Adjustment

This adjustment updates the data to adjust the measurement impedance to the standard values, when the 1m test leads are used.

Note



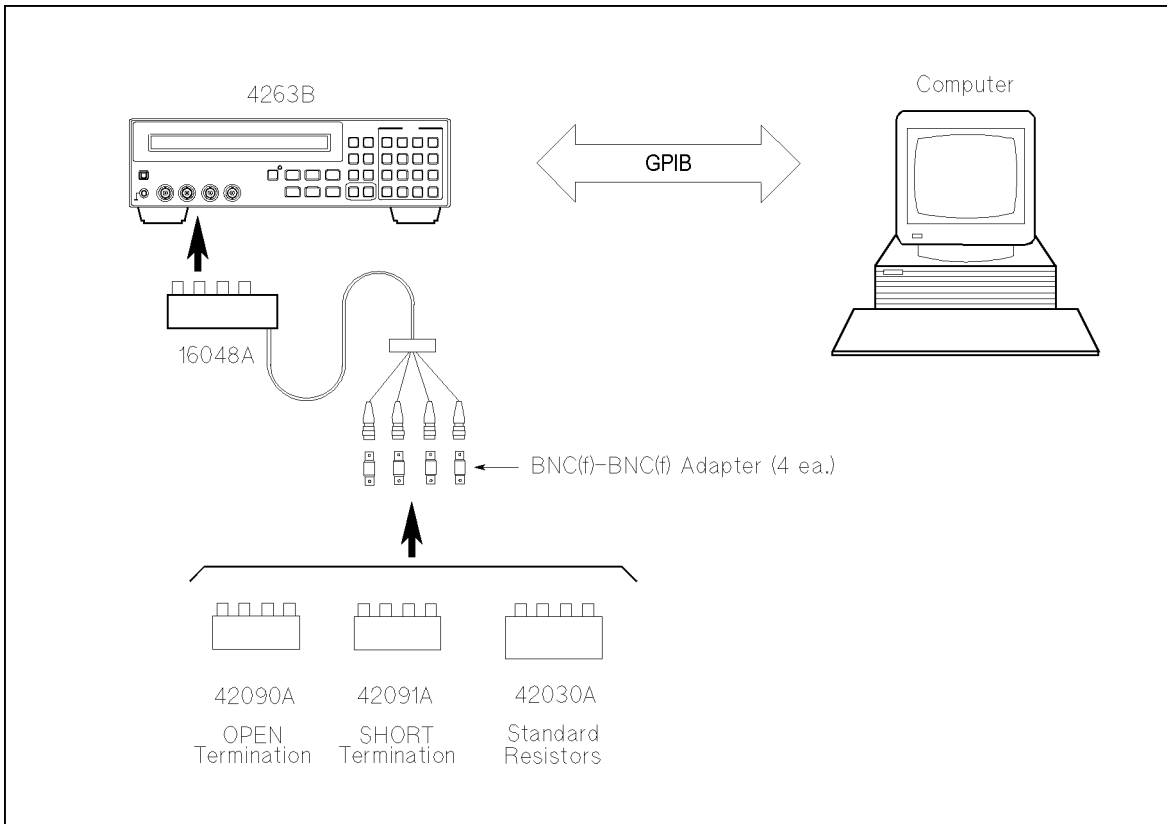
Perform the Impedance Measurement 0m Adjustment prior to performing this adjustment.

Equipment

Standard Resistors	42030A
Open Termination	42090A
Short Termination	42091A
Test Leads (1 m)	16048A

Setup

This setup obtains the impedance measurement adjustment data for 1 m test leads.



LC502003

Figure 2-4. Impedance Measurement 1m Adjustment Setup

Perform the following steps as the program instructs.

1. Connect the 16048A directly to the 4263B UNKNOWN Connectors.

2. Connect four BNC(f)-BNC(f) Adapters directly to another end of the 16048A.
3. Connect the specified termination or standard resistor directly to the 4263B UNKNOWN Connectors.
4. Repeat step 3 as instructed.

Impedance Measurement 2m Adjustment

This adjustment updates the data to adjust the measurement impedance to the standard values, when the 2m test leads are used.

Note Perform the Impedance Measurement 0m Adjustment prior to performing this adjustment.



Perform the same setup procedures for the 16048D as used for the 16048A.

Impedance Measurement 4m Adjustment

This adjustment updates the data to adjust the measurement impedance to the standard values, when the 4m test leads are used.

Note Perform the Impedance Measurement 0m Adjustment prior to performing this adjustment.



Perform the same setup procedures for the 16048E as used for the 16048A.

Assembly Replacement

Introduction

This chapter provides the 4263B replaceable parts lists, and the step by step disassembly procedures for the major assemblies. Table 3-1 to Table 3-7 describe all the 4263B replaceable parts. The figure section of Table 3-7 also shows the cable connections.

Ordering Information

To order a part listed in the replaceable parts lists, quote the Agilent Technologies part number, indicate the quantity required, and address the order to the nearest Agilent Technologies office.

To order a part that is not listed in the replaceable parts list, include the instrument model number, complete instrument serial number, the description and function of the part, and the quantity of parts required. Address the order to the nearest Agilent Technologies office.

Restored Exchange Assemblies

Some replacement assemblies are available as either new or restored assemblies. The restored assembly is more economical than a new assembly and, as with new assemblies, a 90-day warranty applies through the instrument's support life. The defective assembly must be returned for credit. For this reason, new assemblies must be ordered for spare parts. The part numbers for both new and restored assemblies are given in the replaceable parts lists.

Note



The Exchange Program may not apply in your country. Contact the nearest Agilent Technologies office for further details.

Replacing the A2 CPU Board Assembly

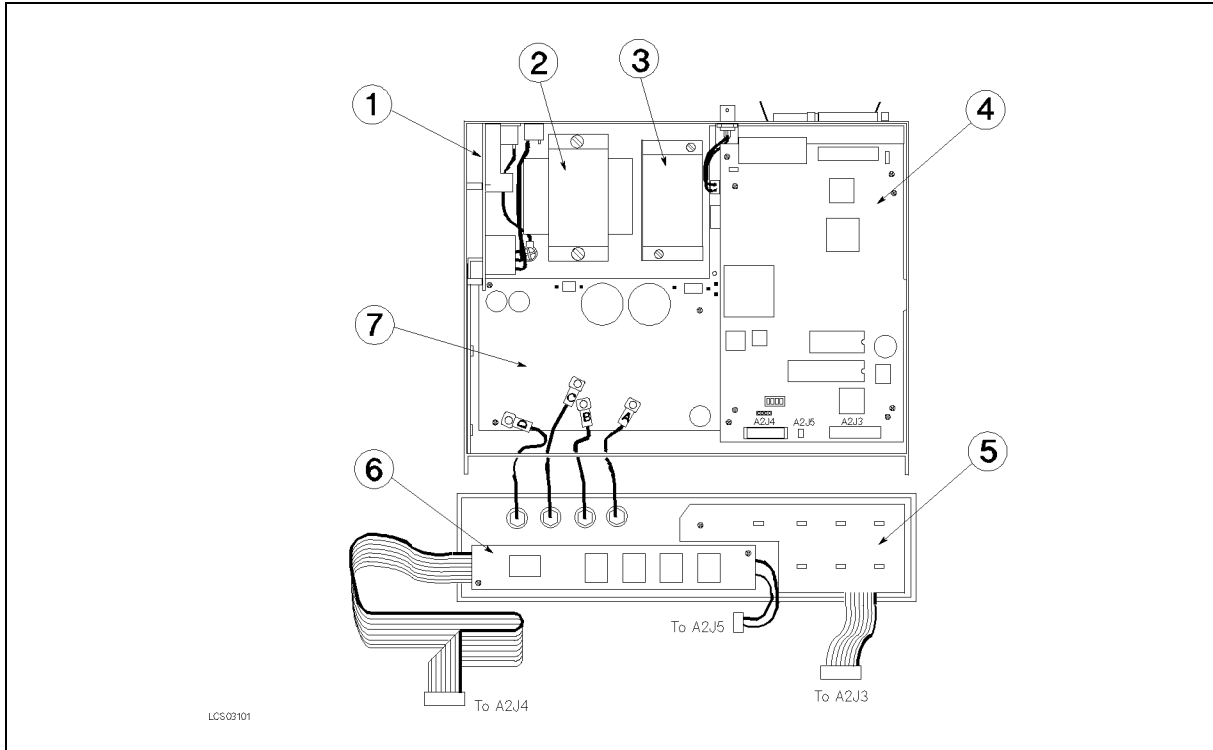
The A2 CPU Board Assembly has a ROM for the firmware and an EEPROM for the adjustment data and user data. Both ROM and EEPROM are mounted in sockets for easy replacement. If the A2 assembly is replaced, the ROM and EEPROM may be transferred from the defective assembly to the new assembly as long as the ROM and EEPROM are not defective. The ROM transfer reduces parts cost for the repair, and the EEPROM transfer saves time from readjusting the 4263B. For this purpose, the A2 assembly can only be ordered without the ROM.

When the A2 assembly is replaced, make sure that the jumpers and switches on the A2 assembly are in the default position as shown in Appendix B.

Replaceable Assembly List

The replaceable electrical assemblies are listed in Table 3-1 and Table 3-3.

Table 3-1. Replaceable Major Assembly List



Reference Designation	Agilent Part Number	Qty.	Description
1	04263-66505	1	A5 AC Inlet Board Assembly
2	04263-60004	1	Transformer Assembly
3	04263-80901	1	DC-DC Converter Unit
4	04263-66532	1	A2 CPU Board Assembly w/o ROM
	04263-00604	1	Case Shield ¹
	0515-1550	4	Screw M3
5	04263-66504	1	A4 Keyboard Assembly
	04263-25151	1	Rubber Key
	0515-1550	1	Screw M3
6	04263-61010	1	LCD Assembly
	04263-25003	1	Filter Transparent
	0515-1550	2	Screw M3
7	04263-66501	1	A1 Main Board Assembly
	04263-69501		A1 Main Board Assembly (Exchange Assembly)

¹ Included in 04263-66532

Table 3-2. A2 CPU Board Assembly, Replaceable Assembly List

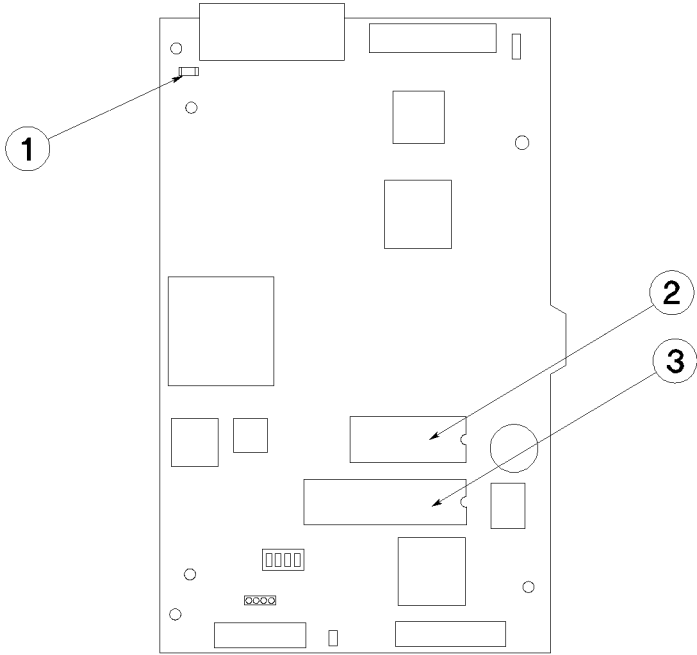
			
Reference Designation	Agilent Part Number	Qty.	Description
1	2110-1123	1	A2F1, Fuse SMT 2 A
2	1818-5146	1	A2U1, EEPROM
3	04263-85041	1	A2U11, ROM Rev. 1.01

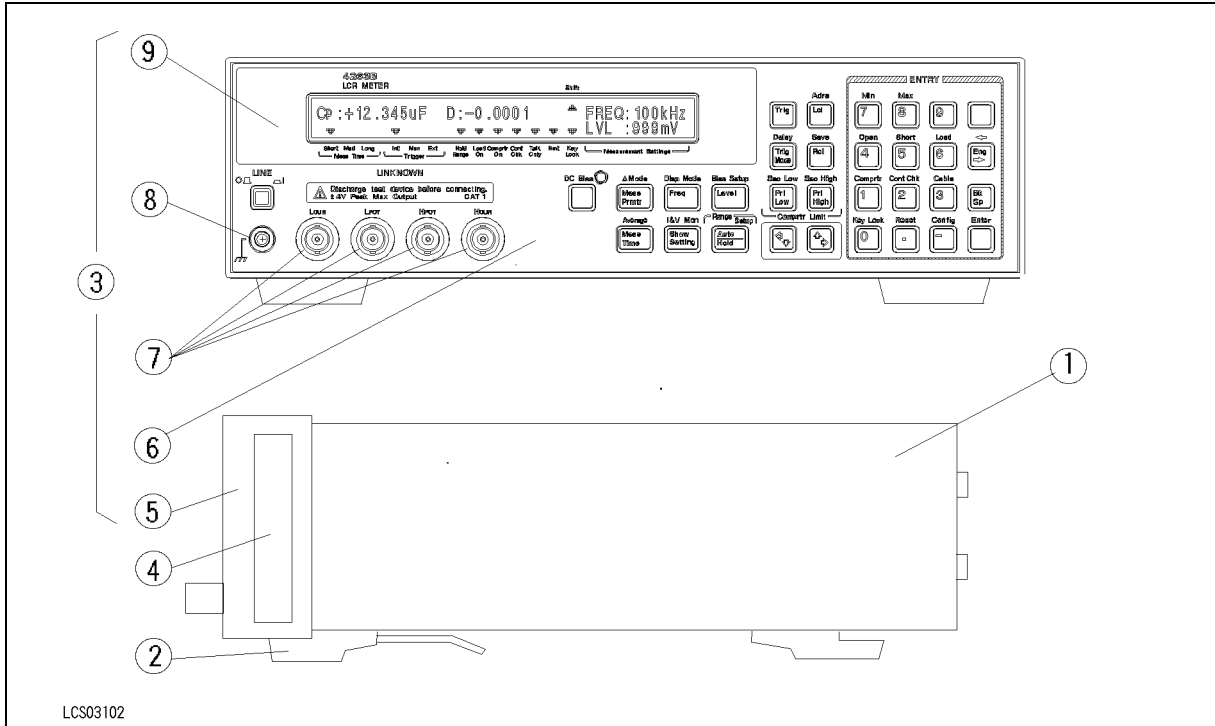
Table 3-3. Replaceable Assembly List

Reference Designation	Agilent Part Number	Qty.	Description
A1C500	0180-4334	1	Capacitor, 22000 μ F (for power supply)
A1C501	0180-4334	1	Capacitor, 22000 μ F (for power supply)
A5SW1	3101-3173	1	Line Switch
A5VR1	0837-0237	1	Varistor
A5VR2	0837-0237	1	Varistor

Replaceable Mechanical Parts List

The replaceable mechanical parts are listed in Table 3-4 to Table 3-7.

Table 3-4. Replaceable Mechanical Parts List 1

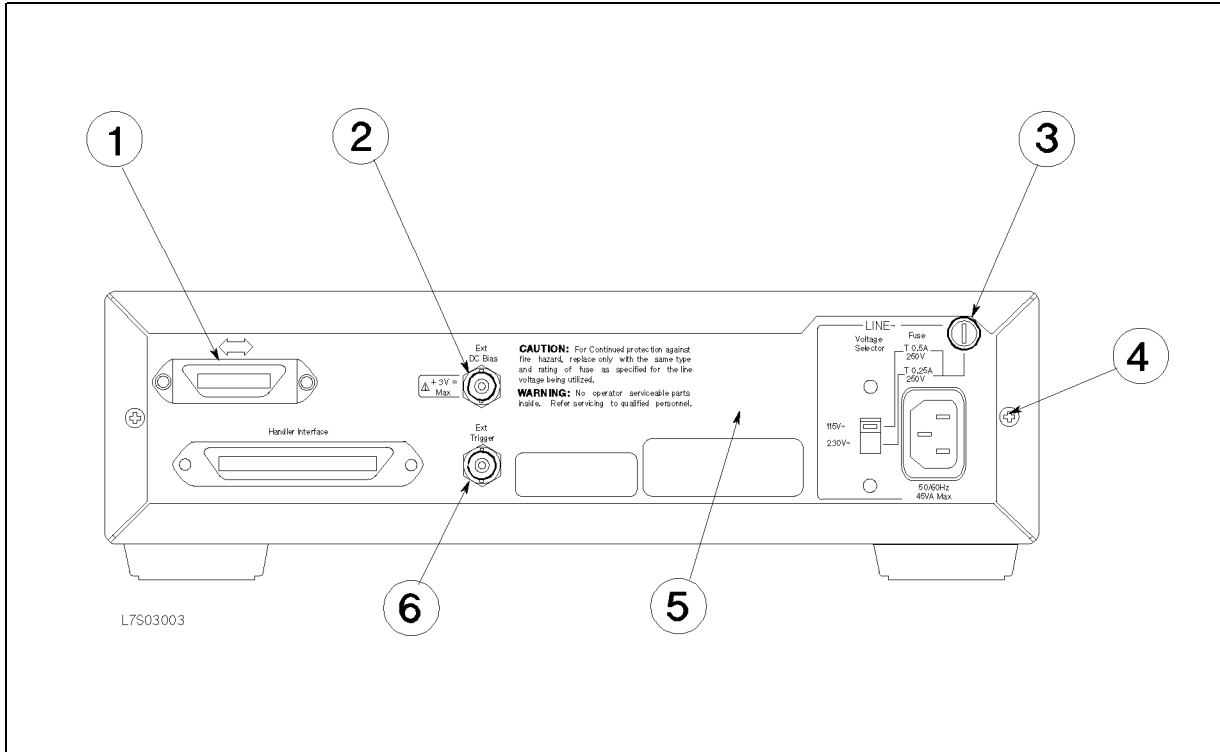


Reference Designation	Agilent Part Number	Qty.	Description
1	04263-04004	1	Cover
2	5041-9167	4	Foot
	1460-1345	2	Tilt Stand
3	04263-65020	1	Front Panel Assembly ¹
4	5041-9170	2	Trim Side
	0515-0914	4	Screw M3 (Hidden)
5	04263-40001	1	Front Bezel ²
6	04263-00605	1	Sub Panel (Hidden) ²
	0515-0914	4	Screw M3 (Hidden) ²
	0515-1550	2	Screw M3 (Hidden) ²
	0160-4808	4	Capacitor 470 pF (Hidden) ²
	1901-1250	8	Diode (Hidden) ²
7	1250-0252	4	BNC Connector ²
	2950-0035	4	Nut ²
	5040-3324	4	Insulator ²
	5040-3325	4	Insulator (Hidden) ²
	04263-01221	4	Lug Terminal (Hidden) ²
8	1510-0130	1	Binding Post ²
	2190-0067	1	Washer (Hidden) ²
	2950-0006	1	Nut (Hidden) ²
9	04263-87121	1	Panel Label ²

1 The assembly consists of the parts designated by 5 through 9.

2 This part is included in the Front Panel Assembly, 3.

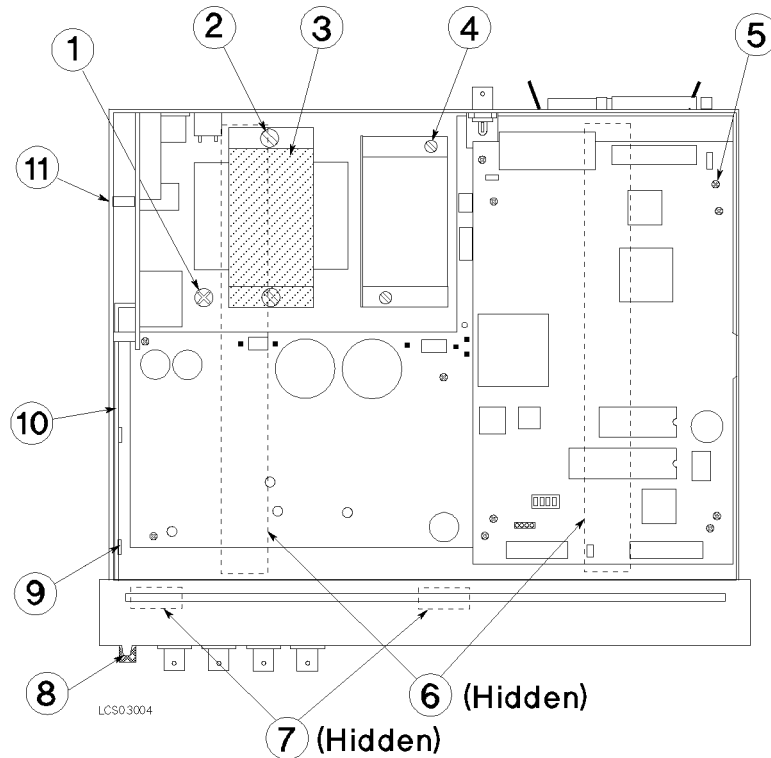
Table 3-5. Replaceable Mechanical Parts List 2



Reference Designation	Agilent Part Number	Qty.	Description
1	04263-61615	1	GPIB Connector with flatcable ¹
2	1250-0083	1	BNC Connector, Ext DC Bias
	0360-1190	1	Lug Terminal (Hidden)
	2190-0016	1	Washer (Hidden)
	2950-0001	1	Nut
3	2110-0565	1	Fuse Holder
	2110-0202	1	Fuse 0.25 A, Slow Blow (230V)
	2110-0201		Fuse 0.5 A, Slow Blow (115V)
4	0515-1551	2	Screw M3
5	04263-00102	1	Chassis
6	2190-0054	1	Washer
	2950-0054	1	Nut

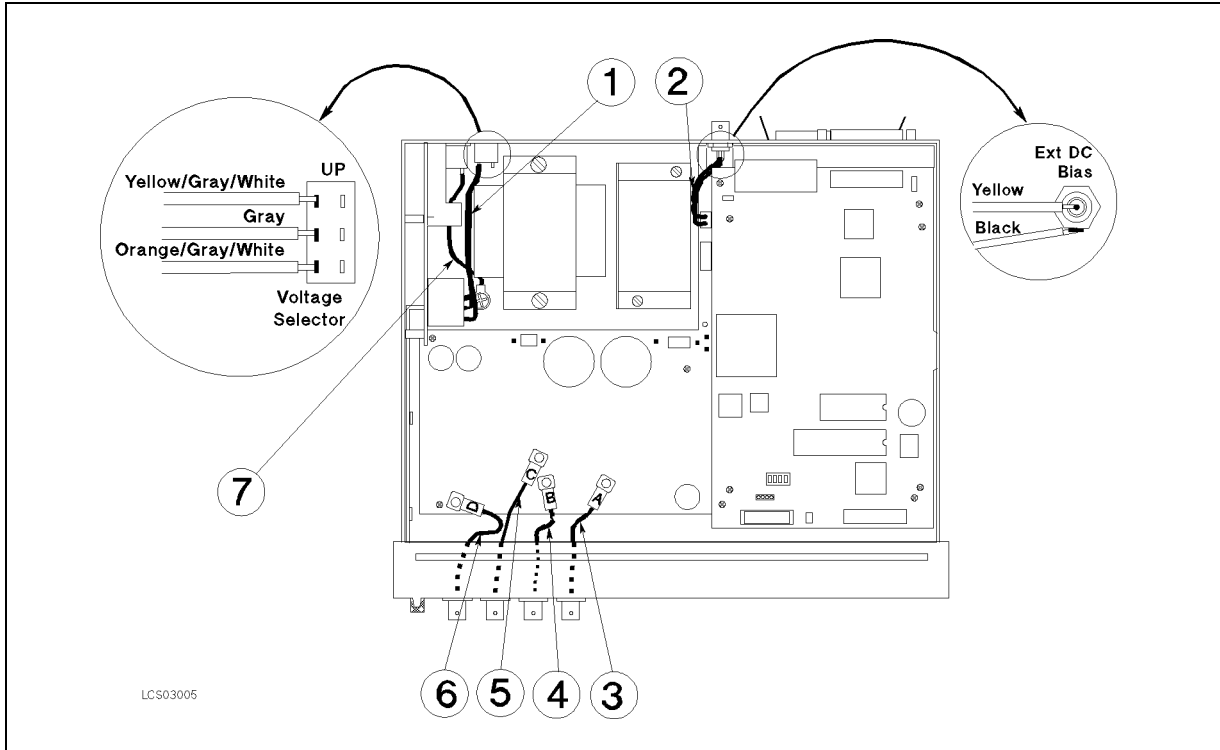
¹ Includes two sets of screw, washer, and nut.

Table 3-6. Replaceable Mechanical Parts List 3



Reference Designation	Agilent Part Number	Qty.	Description
1	0515-2079	1	Screw M4 (on the Chassis)
2	04263-24001	2	Nut Rod (for Transformer)
	2190-0586	2	Washer Spring M4
3	04263-00607	1	Plate Shield
4	04263-24002	2	Nut Rod (for DC-DC Conv.)
	2190-0584	2	Washer Spring M3
5	0515-1550	7	Screw M3 (for A1 and A2)
	04339-24006	4	Standoff (Hidden, for A1)
6	5040-3347	2	Plate (Hidden, Chassis Reverse side)
	0460-0616	150 mm × 2	Adhesive Tape (for Plate)
7	04263-07001	2	Gasket
	0515-1550	4	Screw M3
8	0370-2862	1	Button, Line Switch
	04339-23001	1	Shaft, Line Switch
	0535-0031	1	Nut (for Shaft)
9	04339-25002	2	Support, Line Switch Plate
	0515-0914	2	Screw M3 Flat Head
10	04263-01201	1	Plate, Line Switch
11	0515-0914	5	Screw M3 Flat Head (for A5)

Table 3-7. Replaceable Mechanical Parts List 4



LCS03005

Reference Designation	Agilent Part Number	Qty.	Description
1	04263-61608	1	Wire Assy (V Selector)
2	04263-61607	1	Wire Assy (Ext DC Bias)
3	04263-61602	1	Cable Assembly, "A"- "A"
	04339-25004	1	Core Holder
	0515-1551	1	Screw M3
4	04263-61604	1	Cable Assembly, "B"- "B"
	04339-25004	1	Core Holder
	0515-1551	1	Screw M3
5	04263-61605	1	Cable Assembly, "C"- "C"
	04339-25004	1	Core Holder
	0515-1551	1	Screw M3
6	04263-61606	1	Cable Assembly, "D"- "D"
	04339-25004	1	Core Holder
	0515-1551	1	Screw M3
7	04339-61614	1	Wire Assy (Binding Post)

Disassembly Procedures

This section provides the procedures to disassemble the 4263B's major assemblies. Tools and fasteners required for the replacement are described.

Caution SUSCEPTIBLE TO DAMAGE FROM ESD.



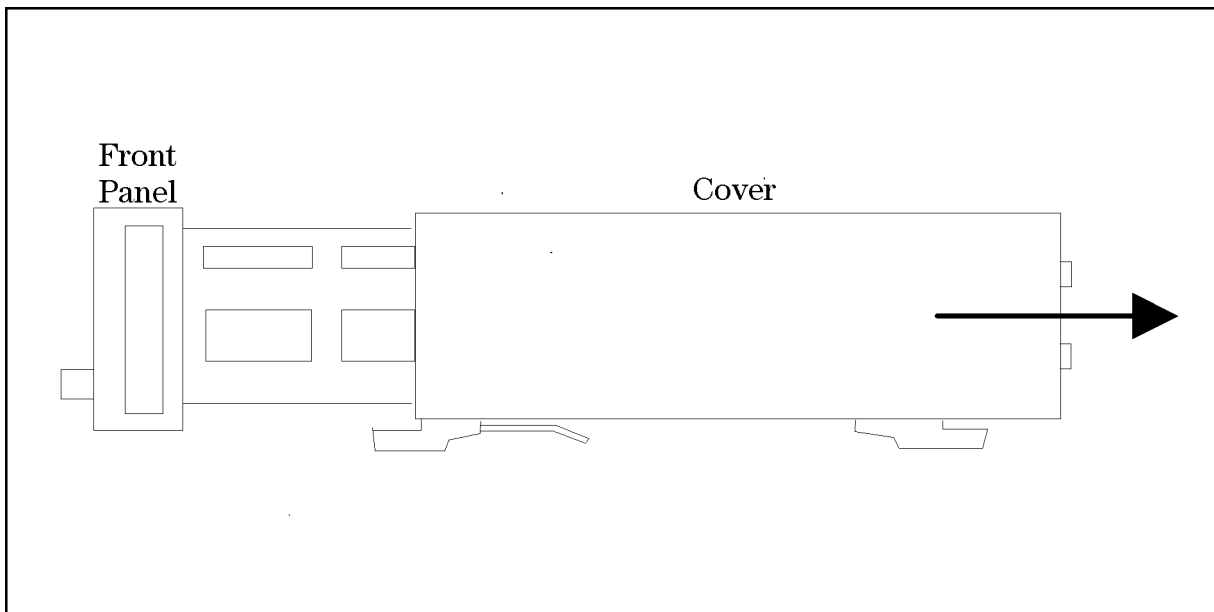
Perform the following procedures only at a static-safety workstation and wear a grounding strap.

Tools and Fasteners

The 4263B mechanical components are secured using metric threaded fasteners. Many fasteners in the 4263B may appear to be Phillips type, but they are in fact, Pozidrive type. To avoid damaging them, use only pozidrive screwdrivers to remove or tighten pozidrive type fasteners.

Cover Removal

The following procedure is common for gaining access to any of the assemblies.



LCS03103

Figure 3-1. Cover Removal

1. Remove the two screws which fasten the cover to the chassis rear panel.
2. Slide the cover toward the rear while holding the front panel bezel.

A1 Main Board Removal

Removal Procedure

1. Remove the A2 CPU Board Assembly referring to “A2 CPU Board Assembly Removal”.
2. Disconnect the following cable assemblies and wire assemblies from the A1 assembly.
 - a. The four cable assemblies marked “A”, “B”, “C”, and “D” which are connected to the UNKNOWN connectors on the Front Panel
 - b. The wire assembly which is connected to the transformer
 - c. The two wire assemblies which are connected to the DC-DC Converter
 - d. The wire assembly which is connected to the Ext DC Bias Connector
3. Remove the nut which fasten the Ext Trigger connector to the rear panel.
4. Remove the four studs, that secure the A1 assembly to the chassis, by rotating them with a flat bladed screwdriver.
5. Remove the three screws that secure the A1 assembly to the chassis.
6. Remove the A1 assembly from the chassis by sliding the assembly toward forward before lifting.

A2 CPU Board Assembly Removal

Removal Procedure

1. Remove the cover referring to “Cover Removal”.
2. Disconnect the two flatcable assemblies and the wire assembly from the front side of the A2 assembly.
3. Disconnect the flatcable assembly, which is connected to the GPIB connector on the rear panel, from the rear right side of the A2 assembly.
4. Remove the four screws that secure the A2 assembly to the stud.
5. Remove the flat cable assembly which is connected to the A1 main board assembly on the bottom, while sliding the A2 assembly toward front.
6. Remove the A2 assembly from the chassis.

Note



The ROM and EEPROM on the A2 assembly may be transferred to the new assembly to minimize the repair time and parts cost. Refer to “Replacing the A2 CPU Board Assembly” for more information.

A5 AC Inlet Board Assembly Removal

Removal Procedure

1. Disconnect the cable assembly with the 4 pin connector from the A5 assembly.
2. Disconnect the cable assembly with the 3 pin connector from the A5 assembly.
3. Remove the screw which fixes the green and yellow wire connected to the neutral terminal of the power cable connector to the chassis bottom.
4. Remove the five screws which secure the A5 assembly to the chassis, from the side.

5. Slide the A5 assembly toward the right to remove the switch on the A5 assembly from the line switch plate slot.
6. Remove the A5 assembly from the chassis.

Keyboard Assembly Removal

Removal Procedure

1. Remove the cover referring to “Cover Removal”.
2. Disconnect the two flatcable assemblies and the wire assembly from the front side of the A2 assembly.
3. Remove the two flat head screws that secure the front panel from the bottom.
4. Remove the side trim label from both sides of the front bezel.
5. Remove four screws that secure the front panel bezel to the chassis from both sides.
6. Place the front panel assembly, so that the front panel faces down.
7. Remove the screw that secures the keyboard to the front panel bezel.
8. Remove the keyboard assembly from the front panel bezel.

LCD Assembly Removal

Removal Procedure

1. Remove the cover referring to “Cover Removal”.
2. Disconnect the two flatcable assemblies and the wire assembly from the front side of the A2 assembly.
3. Remove the two flat head screws that secure the front panel from the bottom.
4. Remove the side trim label from both sides of the front bezel.
5. Remove the four screws that secure the front panel bezel to the chassis from both sides.
6. Place the front panel assembly, so that the front panel faces down.
7. Remove the two screws that secure the LCD to the front panel bezel.
8. Remove the LCD assembly from the front panel bezel.

BNC Connector Removal

Removal Procedure

1. Remove the cover referring to “Cover Removal”.
2. Disconnect the two flatcable assemblies and the wire assembly from the front side of the A2 assembly.
3. Remove the two flat head screws that secure the front panel from the bottom.
4. Remove the side trim label from both sides of the front bezel.
5. Remove four screws that secure the front panel bezel to the chassis from both sides.
6. Place the front panel assembly, so that the panel faces down.

7. Disconnect the cable assembly which is connected to the BNC connector being replaced from the A1 main board assembly.
8. Remove the core holder which holds the cable assembly which is connected to the BNC connector being replaced, by unscrewing the screw secures the holder from the front side.
9. Disconnect the cable from the BNC connector housing being replaced, by unscrewing the nut which fastens, from the back of the front panel, the cable to the BNC connector.
10. Unscrew the nut which connects the BNC connector housing to the sub panel.
11. Remove the BNC connector.

Troubleshooting

Introduction

This chapter provides assembly level troubleshooting information for the 4263B. The information includes theory of operation, and troubleshooting.

Safety Considerations

This chapter contains *WARNINGS* and *CAUTIONS* that must be followed for your protection and to avoid damaging the equipment.

Warning



The servicing procedures described herein are performed when power is supplied to the instrument and its protective covers are removed. This type of servicing must be performed only by service trained personnel who are aware of the hazards involved (for example, fire, and electrical shock). When servicing can be performed without power applied to the instrument, remove power from the instrument. Before any repair is completed, ensure that all safety features are intact and functioning, and that all necessary parts are properly connected to the protective grounding system.

Required Equipment

Table 1-1 lists the equipment required for troubleshooting.

After Service Product Safety Checks

Warning



Whenever it appears likely that protective safety provisions have been impaired, the apparatus shall be marked as inoperative and should be secured against any unintended operation. The protection provisions will have likely been compromised if, for example:

- The instrument shows visible signs of damage.
- The instrument fails to perform the intended measurement.
- The unit has undergone prolonged storage under unfavorable conditions.
- The instrument was severely stressed in transport.

Perform the following five safety checks to verify the safety condition of the 4263B (these checks may also be used for safety checks after troubleshooting and repair).

1. Visually inspect the interior of the instrument for any signs of abnormal internally generated heat, such as discolored printed circuit boards and components, damaged insulation, or evidence of arcing. Determine the cause, and repair.
2. Use an ohmmeter which can accurately measure 0.1Ω to check the resistance from the instrument enclosure to the power cord's ground pin. The resistance must be less than 0.1Ω . Flex the power cord while making this measurement to determine if any intermittent discontinuities exist.
3. Unplug the 4263B's power plug from the power source. Set the line switch to ON. Tie the line and neutral pins of the power connector together and check the resistance between them and enclosure. The minimum acceptable resistance is $5 M\Omega$. Find and replace any component which causes the instrument to fail this test.
4. Verify that the correct fuse is installed.
5. Verify that the grounding wire (green and yellow) is secured to the chassis by a screw and washer.

Theory of Operation

This section describes the general overall operation of the 4263B and the operation of each assembly.

Overall Measurement Theory

The 4263B measures the impedance of the Device Under Test (DUT) by measuring vector voltage to current ratio. A vector is a value which consists of a magnitude and a phase. The impedance of the Device Under Test (DUT) is determined by the vector ratio between the voltage across the DUT and the current flowing through it. The 4263B essentially consists of a signal source, a vector voltmeter, and a vector current meter.

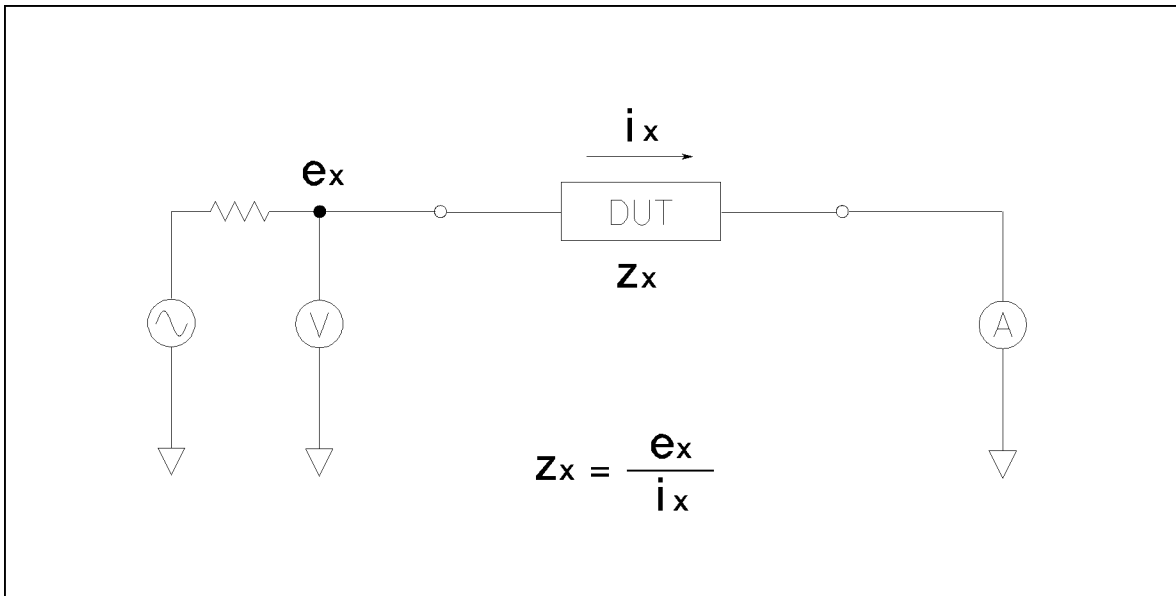


Figure 4-1. Voltage Current Ratio Measurement Principle

In Figure 4-1, a DUT connected in series with a test voltage source (including an output resistance), voltmeter V, and ammeter, A. If the ammeter measures i_x ampere when the source voltage is e_x , the DUT's impedance Z_x is expressed by:

$$Z_x = \frac{e_x}{i_x}$$

Note



In this chapter, we will focus only on *impedance* measurement. The other parameters, such as L, C, and R, are derived mathematically from the measured impedance value.

Overall Block Diagram

Figure 4-2 shows the overall block diagram of the 4263B.

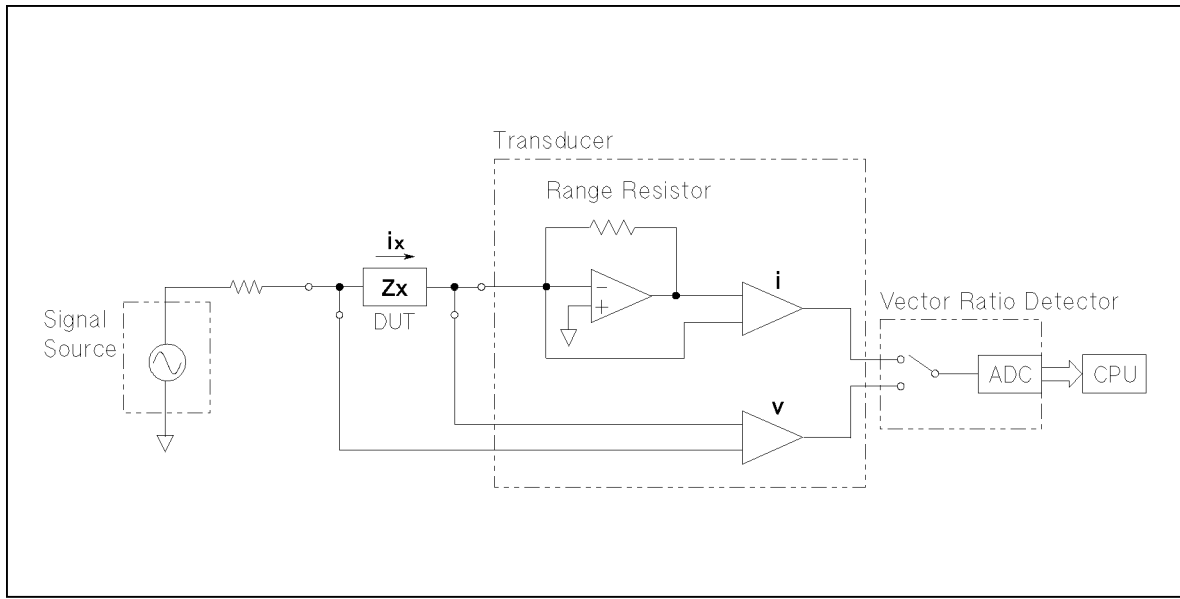


Figure 4-2. 4263B Overall Block Diagram

The signal source section applies a measurement signal to the DUT. The transducer block converts the voltage across and the current through the DUT to two voltages which are output to the vector ratio detector. The voltage across the DUT is input to differential amplifier, v . The current through the DUT is converted to a voltage before being input to differential amplifier, i . The vector ratio detector switches these two voltages to be converted to digital data. The CPU calculates DUT impedance from the vector ratio of these two voltages and displays the result on the LCD.

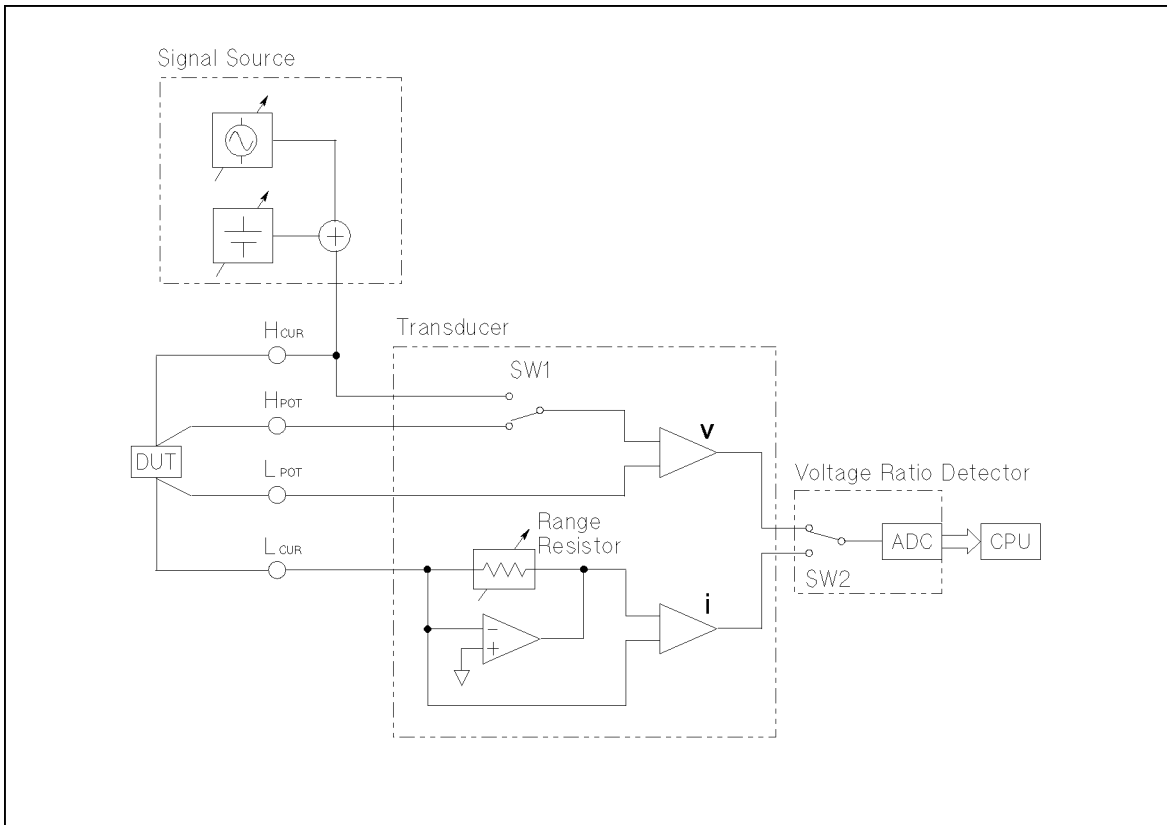
Analog Section

Figure 4-3 shows the analog section block diagram. The 4263B analog section can be divided into three sections, the signal source, transducer and vector ratio detector.

The signal source generates an ac, dc, or dc biased ac signal of which frequency and level is set from the keyboard or by GPIB commands. The signal is applied to the DUT via the High-Current (H_{CUR}) connector. The current flowing through the DUT is current sunk into the Low-Current (L_{CUR}) connector, which serves as virtual ground.

The vector voltage across the DUT is detected by the voltage between High-Potential (H_{POT}) and Low-Potential (L_{POT}) connectors. The vector current flowing through the DUT is detected by converting the current flowing into L_{CUR} connector to a corresponding voltage, using an I-V converter.

One of the two outputs from the transducer is selected in the vector ratio detector by switch SW2. The selected signal is processed according to measurement conditions, such as measurement time and measurement range, and is converted into digital data by the Analog-to-Digital Converter (ADC).

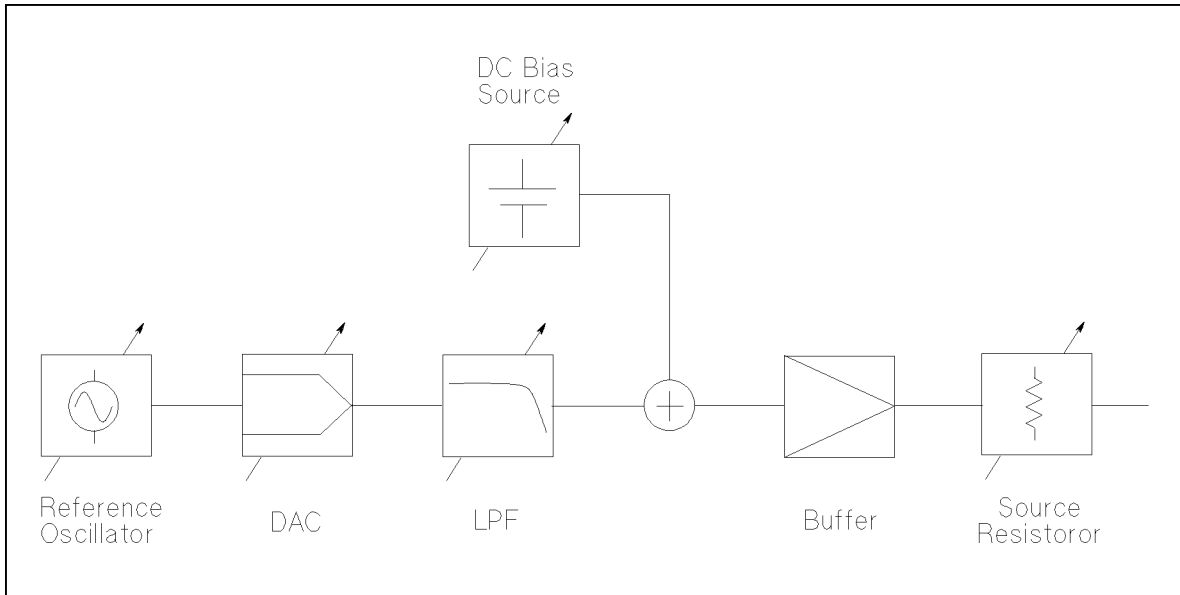


L7504005

Figure 4-3. Analog Section Block Diagram

Signal Source Section

The signal source section generates three kinds of signals, dc, ac, and dc biased ac voltage signals. The ac signal frequency can be selected from among five choices, 100, 120, 1 k, 10 k and 100 kHz. The ac or dc signal level has five choices, 50 m, 100 m, 250 m, 500 m, and 1 V. The dc bias has three choices, 0, 1.5, and 2 V, and has an external bias function with which allows to apply a dc voltage from an external voltage source via the Ext DC Bias connector on the 4263B rear panel.



L7S04013

Figure 4-4. Signal Source Section Block Diagram

Transducer Section

The transducer section measures the vector voltage across the DUT, and the current flowing through the DUT by converting the current to voltage. The transducer also includes a switch used by the Option 001 (Transformer Parameter Measurement), and the contact check voltage source.

Figure 4-5 shows the transducer block diagram.

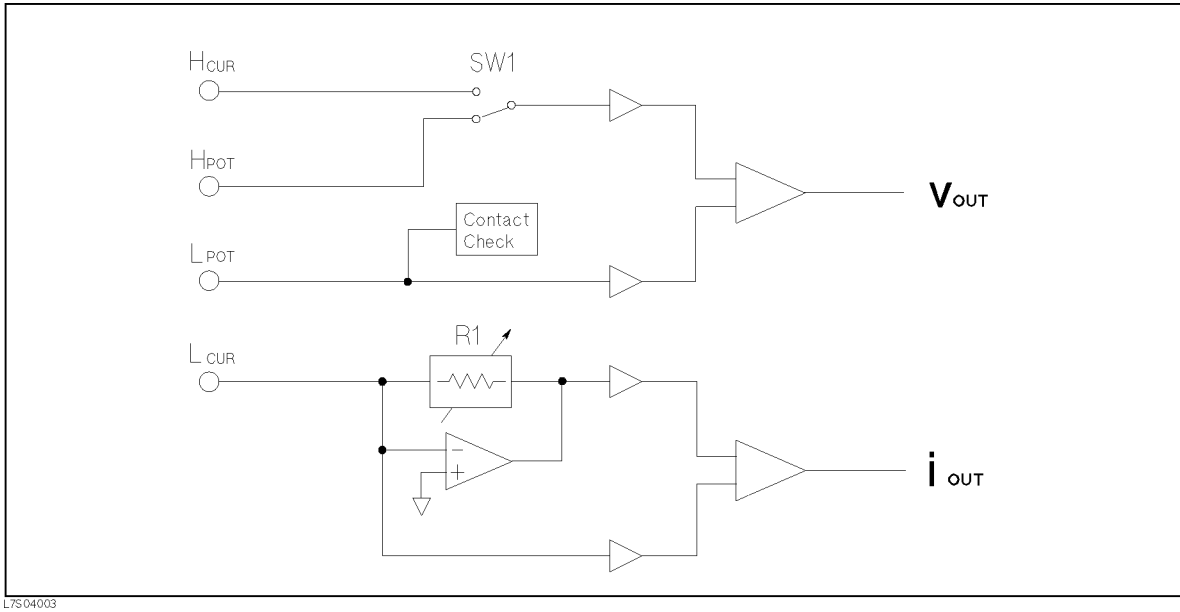


Figure 4-5. Transducer Block Diagram

The voltage across the DUT is measured at the H_{POT} and L_{POT} connectors using a differential amplifier.

The current flowing through the DUT and flowing into the L_{CUR} connector is converted to voltage by an I-V converter. The differential amplifier measures the voltage between an I-V converter output and the inverting input of the converter. The inverting input of the converter, thus L_{CUR}, is at virtual ground, because of the very high input impedance and very high open loop gain of the operational amplifier used in the I-V converter.

Vector Ratio Detector Section

The vector ratio detector section processes the two output voltages from the transducer section and converts these voltages into digital data. Figure 4-6 shows the vector ratio detector block diagram. In the figure, i_{OUT} and v_{OUT} are the outputs of the transducer section.

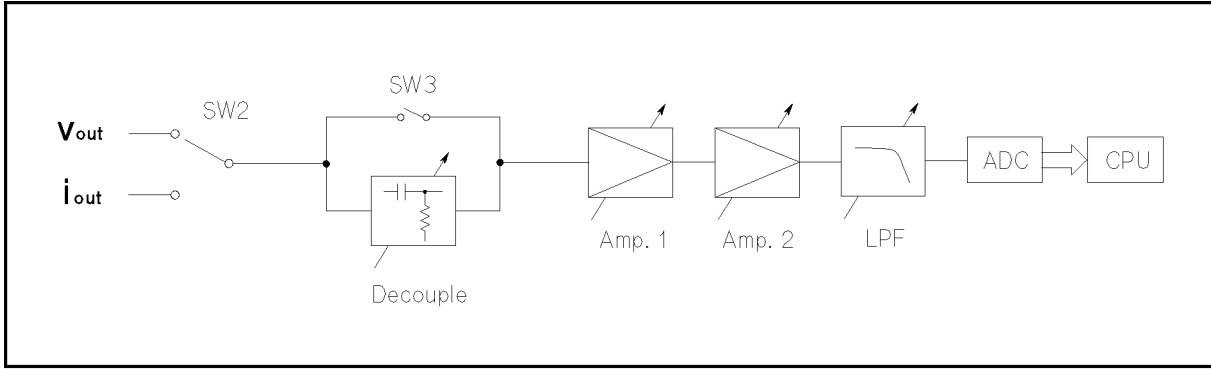


Figure 4-6. Vector Ratio Detector Block Diagram

Transformer Parameter Measurement (Option 001 only)

Note This function only applies only to an 4263B with Option 001.



This function measures the transformer parameters using SW1. Refer to Figure 4-7 for the basic transformer measurement setup using a simplified 4263B block diagram.

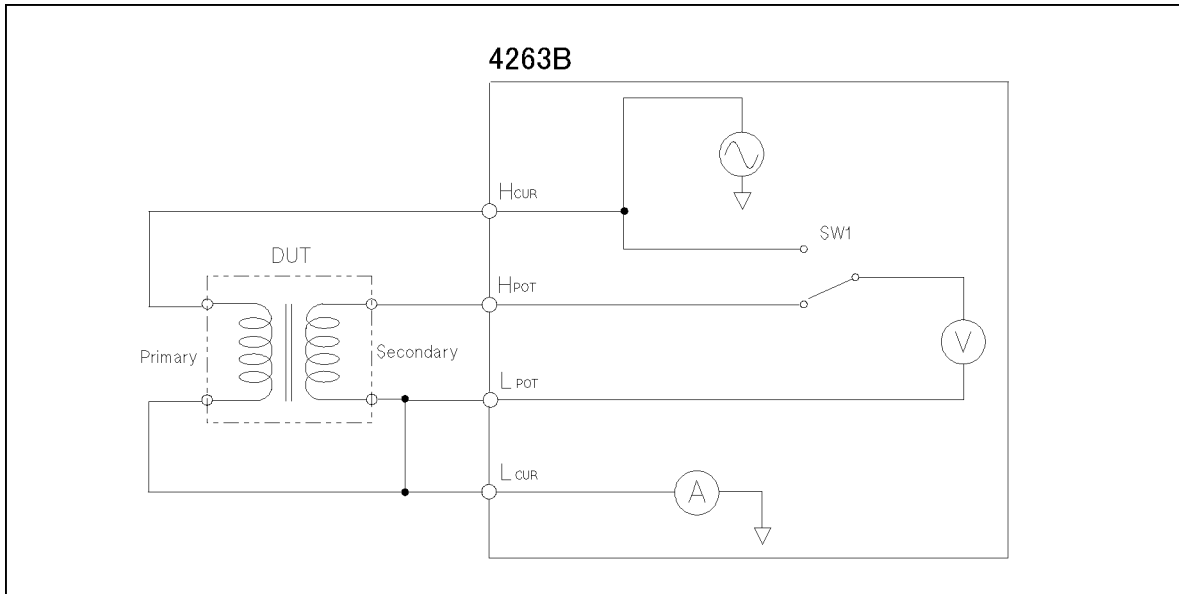


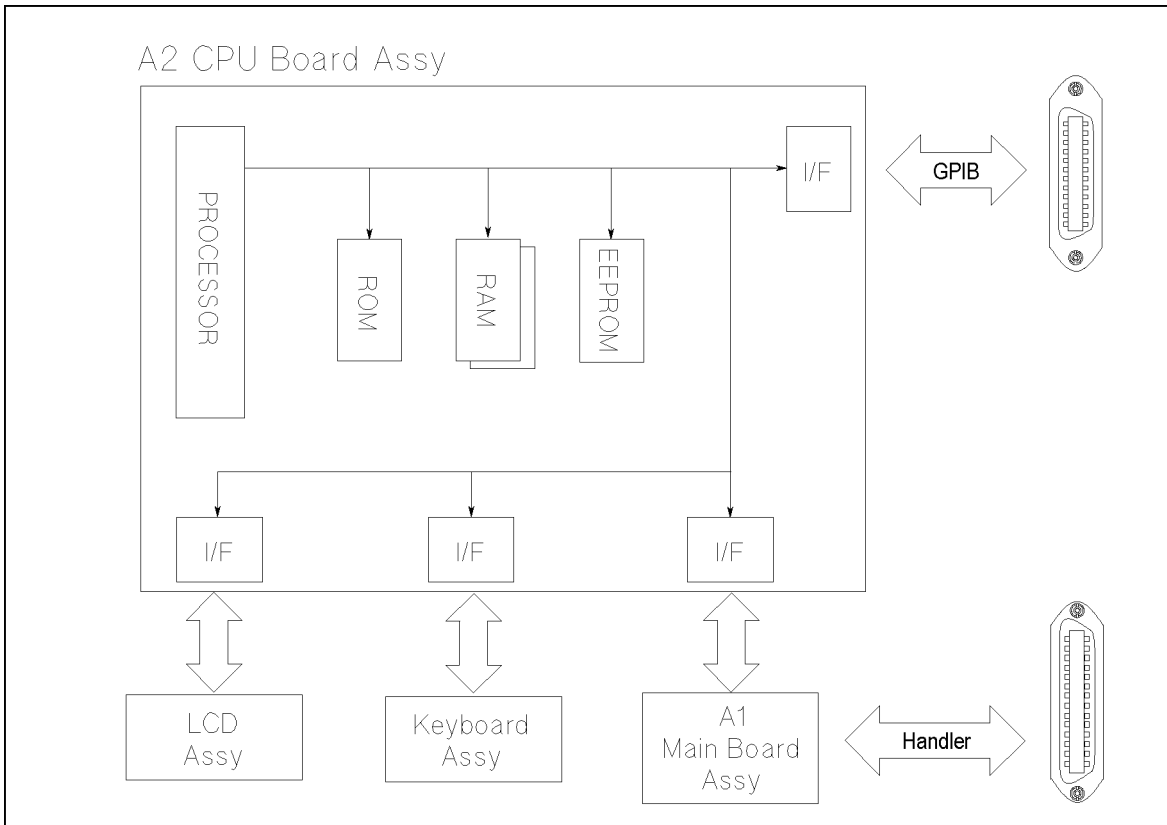
Figure 4-7. Basic Transformer Measurement Setup

In the figure, the transformer primary is connected to H_{CUR} and L_{CUR} connectors, and the secondary is connected to the H_{POT} and L_{POT} connectors. L_{CUR} and L_{POT} are connected as a common.

When measuring the turns ratio, for example, the 4263B measures the primary voltage and secondary voltage while applying an ac voltage to the primary. The 4263B calculates the turns ratio from the ratio of these two voltages. For primary voltage measurement, SW1 switches to H_{CUR}, and for secondary voltage measurement, SW1 switches to H_{POT}. Other parameters are obtained in a similar manner.

Digital Section

Figure 4-8 shows the Digital Section block diagram.



L7504006

Figure 4-8. Digital Section Block Diagram

The digital section consists of the A2 CPU Board Assembly and other peripheral assemblies such as the keyboard and LCD. The section communicates with the A1 Main Board Assembly in order to control the latches, switches, and other components on the A1 assembly and receive the measurement data. The GPIB interface on the A2 Assembly allows the 4263B communicate with a controller. A handler interface on the A1 Assembly allows the 4263B communicate with an external handler.

The A2 CPU Board Assembly includes a processor, ROM, EEPROM, jumpers, switches, and LEDs.

ROM (A2U11) stores the firmware which controls all the 4263B's operation and functions. The ROM is mounted in a socket for easy replacement.

The EEPROM (A2U1) stores the unit unique data, such as the adjustment data and the operator unique data, such as the operator saved measurement setup condition. The EEPROM will not lose its data when power is turned off. The EEPROM is mounted in a socket for easy replacement.

Jumpers and switches set the 4263B's conditions. Refer to Appendix B for more information.

Power Supply Section

Figure 4-9 shows the power supply section block diagram.

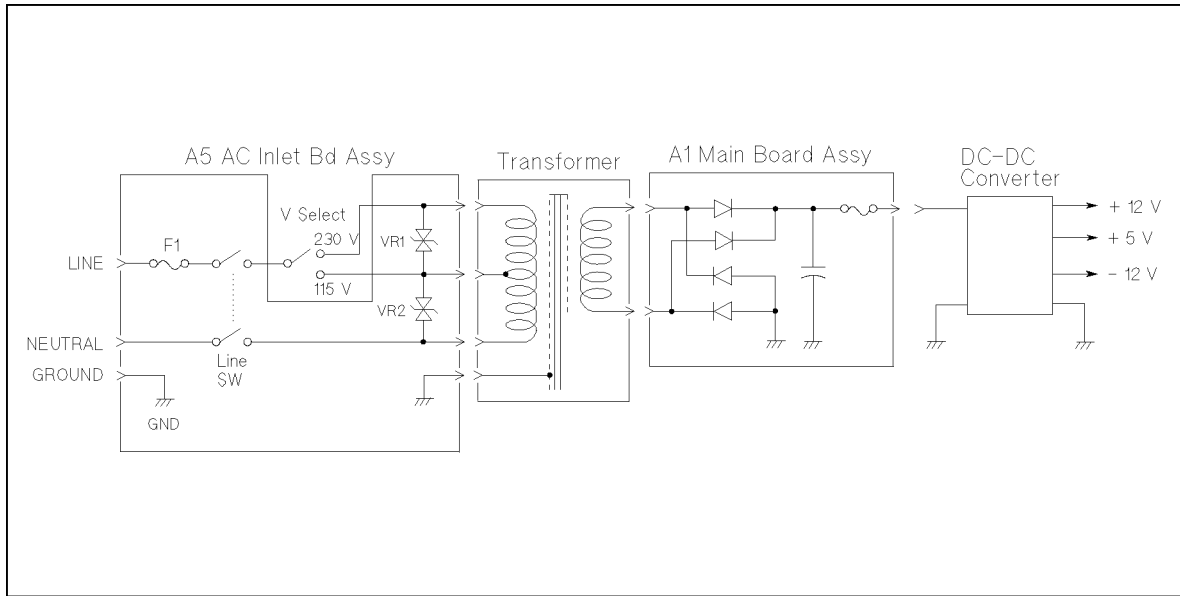


Figure 4-9. Power Supply Section Block Diagram

The ac line power is connected to the A5 AC Inlet Board Assembly, which consists of the fuse, line switch, and varistors. The voltage selection switch on the rear panel selects the ac line voltage from 230V or 115V. According to the selection, the ac line power is connected to the corresponding primary tap of the transformer. Varistor, VR1 protects the circuit from surge voltage on the line power. VR2 blows fuse F1 if the 4263B is turned on with the wrong line voltage setting selection, for example, 115V selection when using a 230V line.

The transformer secondary voltage is approximately 14 V. The ac voltage is rectified and filtered by circuitry on the A1 Main Board Assembly, and produces approximately 14 Vdc. The dc voltage is applied to the DC-DC Converter to produce regulated +12V, +5V, and -12 Vdc. The dc voltages are supplied to all assemblies, either directly or indirectly via the A1 assembly.

Troubleshooting

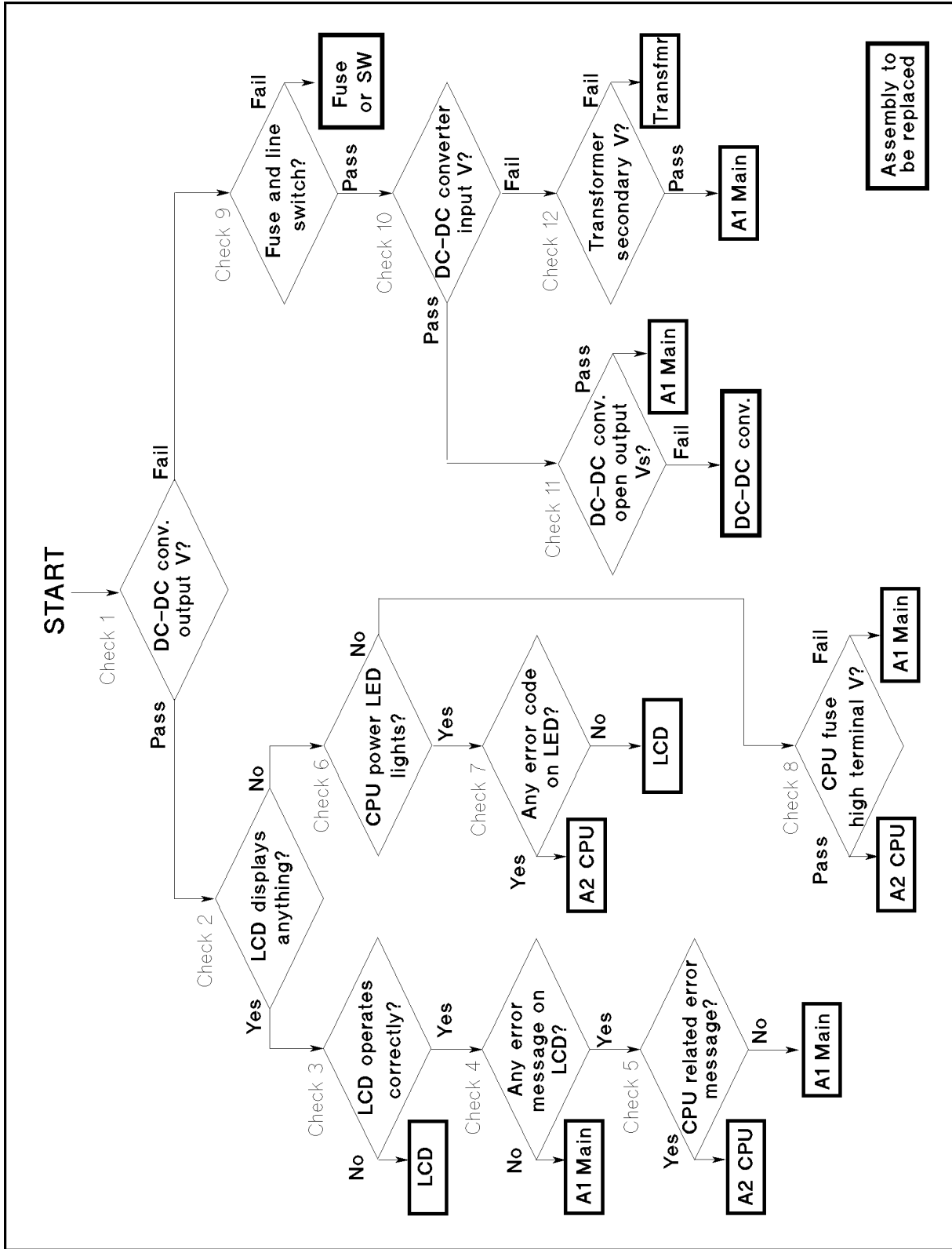
Figure 4-10 shows the overall troubleshooting flowchart to find the defect assembly. Follow the flowchart when troubleshooting. Refer to the “Check Procedure References” for the detailed procedure to check each item.

Refer to Chapter 3 for assembly replacement.

Note



Because of each assembly's high SMD (surface mount device) ratio, the repair should be done by assembly replacement. The troubleshooting procedure, therefore, only isolates the defective assembly.



LCS04007

Figure 4-10. Troubleshooting Flow Chart

Check Procedure References

Refer to the corresponding check procedure. Each check procedure is numbered the same as in Figure 4-10 for quick reference.

Check 1, DC-DC Converter Output Voltage

1. Remove the cover referring to “Cover Removal” in Chapter 3.
2. Turn on the 4263B.
3. Using a multimeter, check to see if the voltages between the test pads and the ground (TP500) on A1 Main Board Assembly shown in Figure 4-11 are in the ranges shown in Table 4-1.
4. If passed, proceed to “Check 2, LCD Displays Anything?”, otherwise proceed to “Check 9, Fuse and Line Switch”.

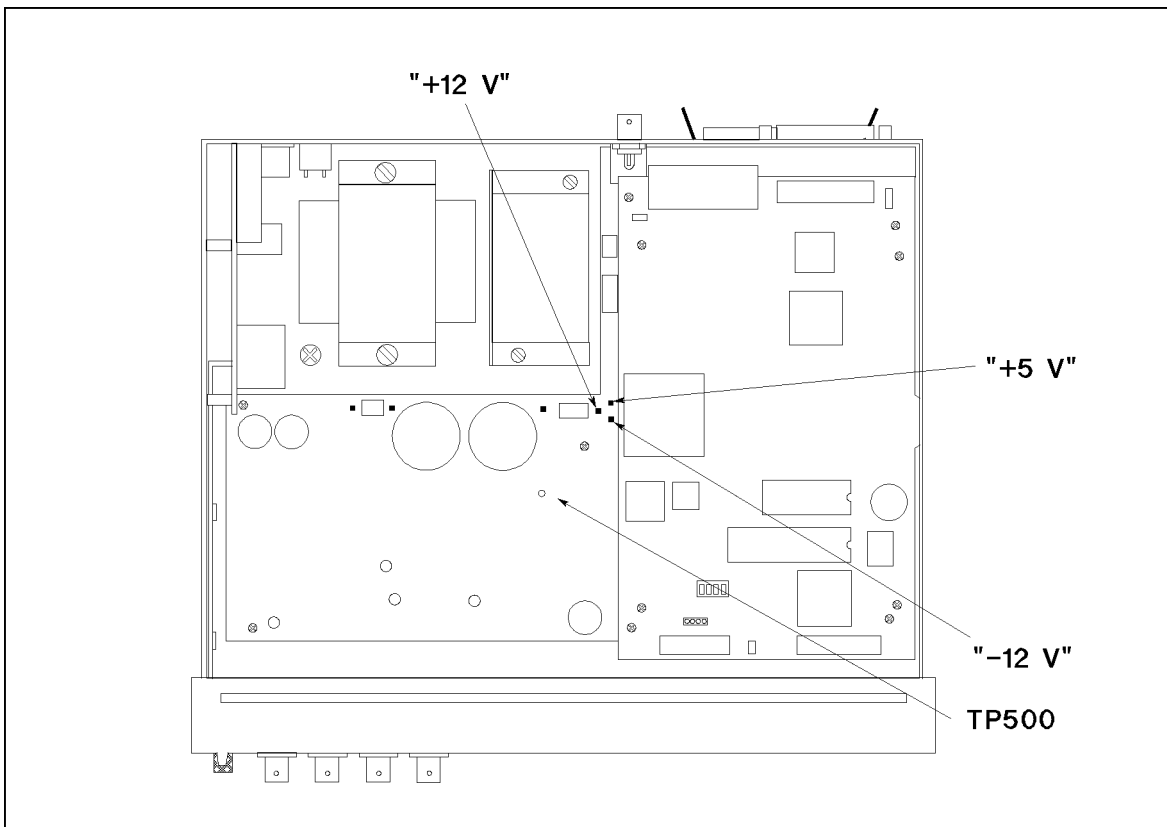


Figure 4-11. DC-DC Converter Output Voltage Check

Table 4-1. DC-DC Converter Output Voltage (Connected)

Test Pad (+)	Test Pin (-)	Range
" +5 V"	500	5.1 ± 0.2 V
" +12 V"	500	12 ± 0.6 V
" -12 V"	500	-12 ± 0.6 V

Check 2, LCD Displays Anything?

1. Turn off the 4263B.
2. Turn on the 4263B while watching the LCD.
3. Check for a beep sound for a moment and if you see anything is displayed on the LCD.
4. If beep sounds and LCD displays something, proceed to “Check 3, LCD Operates Correctly?”, otherwise proceed to “Check 6, CPU Power LED Lights?”.

Check 3, LCD Operates Correctly?

1. Turn on the 4263B.
2. Reset the 4263B.
3. Check if the LCD’s back light is lit.
4. Press some front panel keys such as Meas Prmtr and check if the characters are correctly displayed in the whole area of the LCD.
5. If the LCD operates correctly, proceed to “Check 4, Any Error Message on LCD?”, otherwise replace the LCD Assembly.

Check 4, Any Error Message on LCD?

1. Turn off the 4263B.
2. Turn on the 4263B while watching the LCD.
3. Check if the LCD displays any error message.
4. If an error has NOT occurred, replace the A1 Main Board Assembly, otherwise proceed to “Check 5, CPU Related Error Message?”.

Check 5, CPU Related Error Message?

1. If the error message is one of the following, replace the A2 CPU Board Assembly, otherwise replace the A1 Main Board Assembly.
 - a. ROM TEST FAILED
 - b. RAM TEST FAILED
 - c. EEPROM R/W FAILED

Note



When replacing the A2 CPU Board Assembly, refer to “Replacing the A2 CPU Board Assembly” in Chapter 3 for handling the ROM and EEPROM on the A2 Assembly.

Check 6, CPU Power LED Lights?

1. Turn on the 4263B.
2. Check if the LED “+5V” of DS1 on the A2 CPU Board Assembly lights. Refer to Figure 4-12 for DS1 location.
3. If the LED lights, proceed to “Check 7, Any Error Code on LED?”, otherwise proceed to “Check 8, CPU Fuse High Lead Voltage?”.

Check 7, Any Error Code on LED?

1. Turn off the 4263B.
2. Turn on the 4263B while watching LEDs A2DS1 on the A2 CPU Board Assembly.
3. Check if the LEDs light in the sequence shown in Figure 4-12.
4. If LEDs light as the sequence, replace the LCD Assembly, otherwise (possibly, "HALT" doesn't turn off or "BERR" lights) replace the A2 CPU Board Assembly.

Note



When replacing the A2 CPU Board Assembly, refer to "Replacing the A2 CPU Board Assembly" in Chapter 3 for handling the ROM and EEPROM on the A2 Assembly.

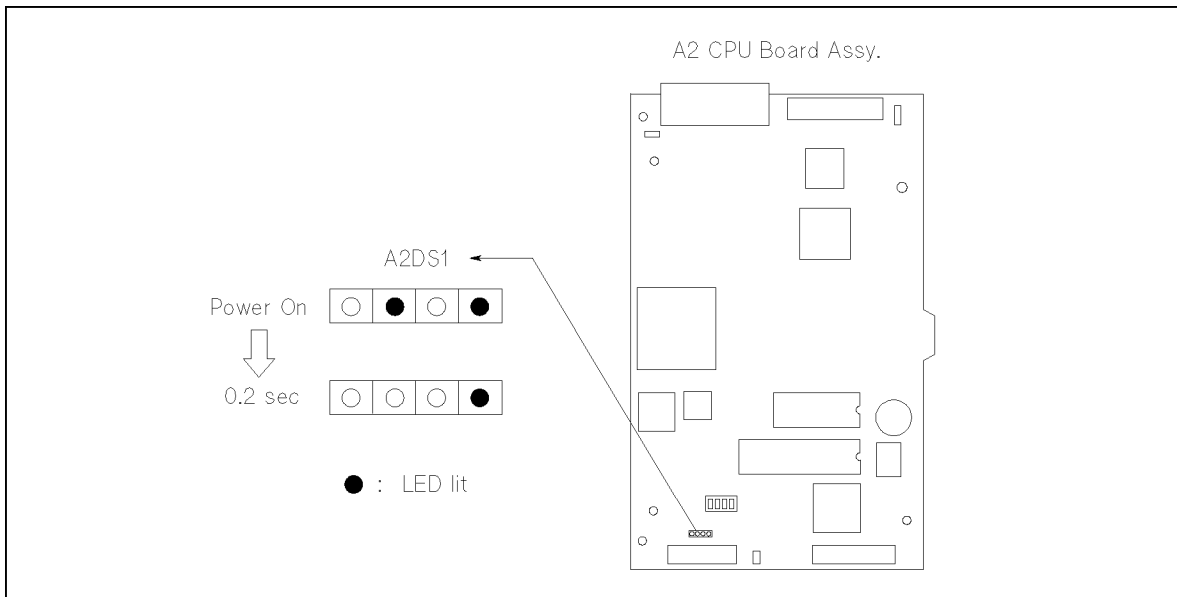


Figure 4-12. CPU Board Assembly LED Light Sequence

Check 8, CPU Fuse High Lead Voltage

1. Turn on the 4263B.
2. Using a multimeter, check if the dc voltage at the high lead of the fuse F1 on the CPU Board shown in Figure 4-13 is $+5\pm 0.2$ V.
3. If the voltage is in the range, replace the A2 CPU Board Assembly, otherwise replace the A1 Main Board Assembly.

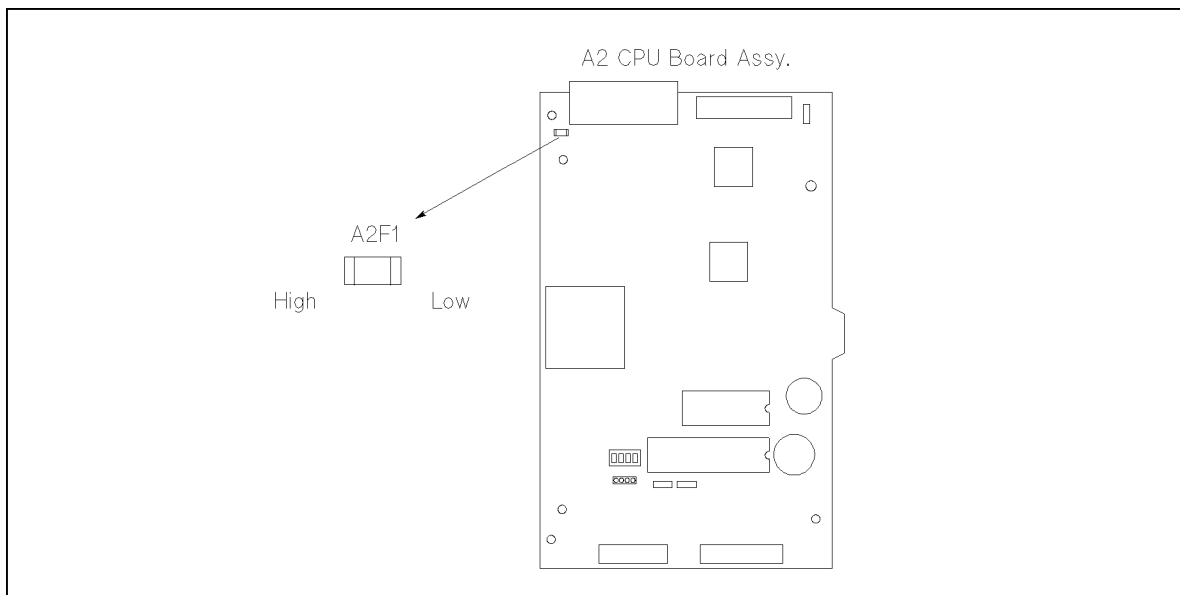
Note

If the multimeter reading is correct, fuse F1 on the A2 CPU Board Assembly is most suspicious. Replacing only the fuse may fix the problem.



Note

When replacing the A2 CPU Board Assembly, refer to “Replacing the A2 CPU Board Assembly” in Chapter 3 for handling the ROM and EEPROM on the A2 Assembly.



LCS04010

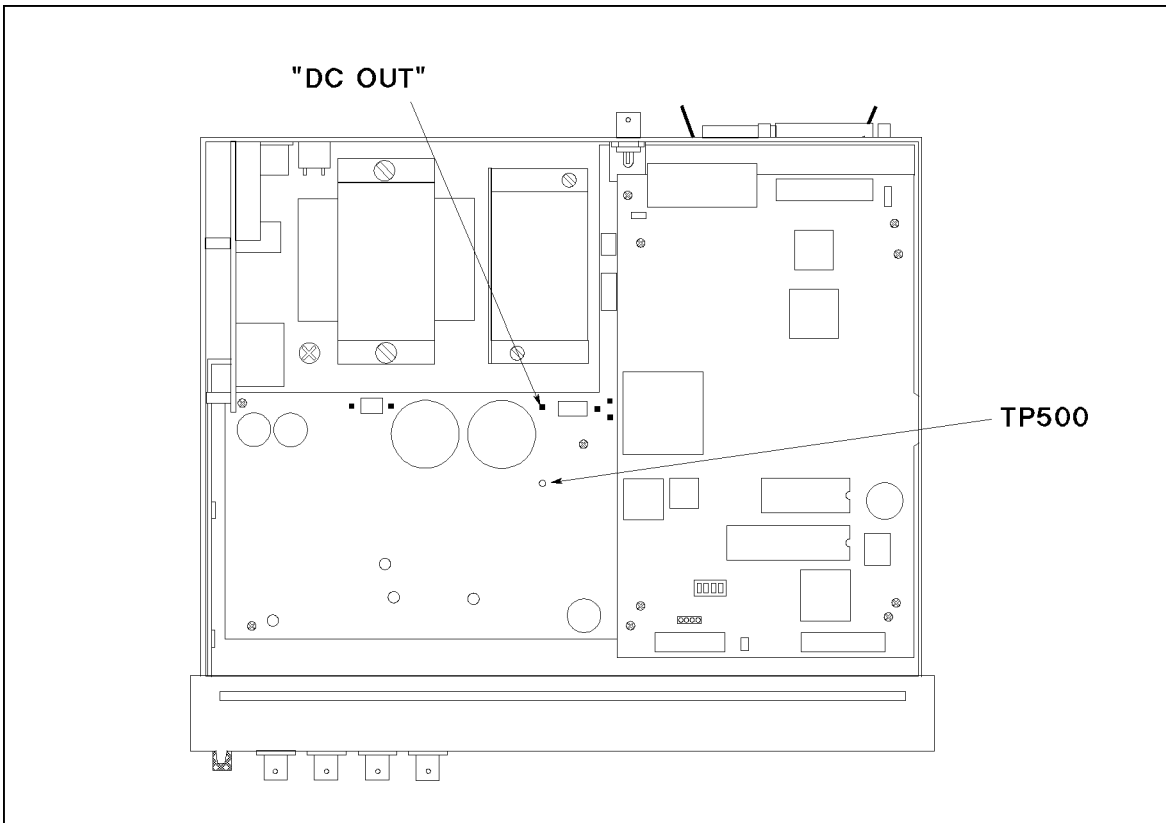
Figure 4-13. Location of High Lead of A2F1 Fuse

Check 9, Fuse and Line Switch

1. Check that the fuse on the 4263B rear panel is not blown.
2. Check that the line switch on the A5 AC Inlet Board Assembly is not defective.
3. If passed, proceed to “Check 10, DC-DC Converter Input Voltage”, otherwise replace the defective line switch or blown fuse.

Check 10, DC-DC Converter Input Voltage

1. Turn on the 4263B.
2. Using a multimeter, check if the voltage between the "DC OUT" test pad and TP500 (DC-DC Converter input voltage) is between 12 V and 15 Vdc. Refer to Figure 4-14 for test pad and pin locations.
3. If the voltage is in range, proceed to the "Check 11, DC-DC Converter Open Output Voltages", otherwise proceed to the "Check 12, Transformer Secondary Voltage".

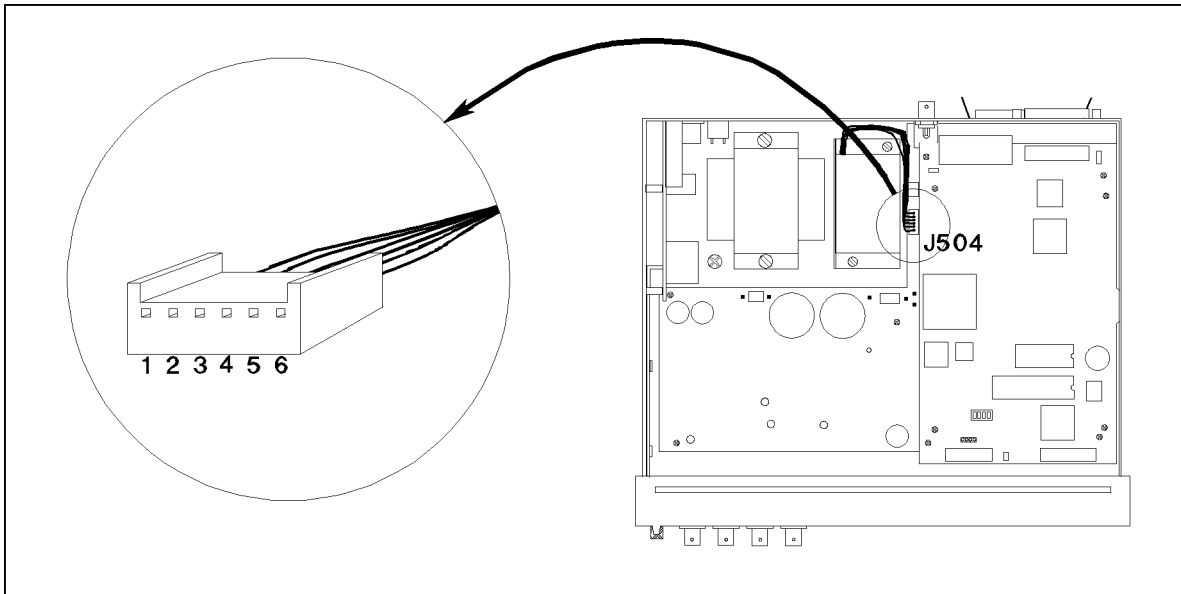


LC504012

Figure 4-14. DC-DC Converter Input Voltage Check

Check 11, DC-DC Converter Open Output Voltages

1. Turn off the 4263B.
2. Disconnect the DC-DC Converter Output Cable shown in Figure 4-15 from connector “J504” on the A1 Main Board Assembly.
3. Turn the 4263B on.
4. Using the multimeter, check if the DC-DC Converter open output voltages on the output connector pins shown in Figure 4-15 are in the ranges shown in Table 4-2.
5. If passed, replace the A1 Main Board Assembly, otherwise replace the DC-DC Converter Assembly.



LCS040ff

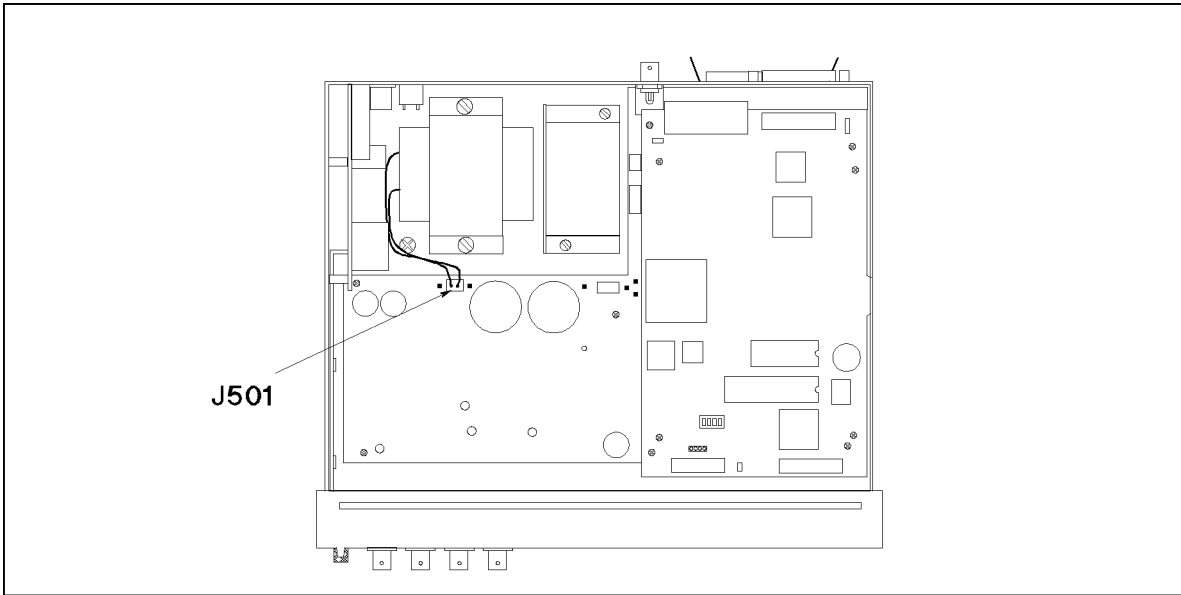
Figure 4-15. DC-DC Converter Output Connector

Table 4-2. DC-DC Converter Open Output Voltages

Pin (+)	Pin (-)	Voltage Range
1	2	5.1 ± 0.2 V
4	3	12 ± 0.6 V
5	3	-12 ± 0.6 V

Check 12, Transformer Secondary Voltage

1. Turn off the 4263B.
2. Disconnect the transformer secondary connector from connector “J501” on the A1 Main Board Assembly. Refer to Figure 4-16 for the connector location.
3. Turn the 4263B on.
4. Using a multimeter, check if the transformer secondary voltage is between +13 V and +17 Vac.
5. If passed, replace the A1 Main Board, otherwise replace the transformer.



LCS04016

Figure 4-16. Transformer Secondary Voltage Check

Manual Changes

Introduction

This appendix contains the information required to adapt this manual to earlier versions or configurations of the 4263B than the current printing date of this manual. The information in this manual applies directly to 4263B LCR Meter whose serial number prefix is listed on the title page of this manual.

Manual Changes

To adapt this manual to your 4263B, refer to Table A-1, and make all of the manual changes listed opposite your instrument's serial number.

Instruments manufactured after the printing of this manual may be different from those documented in this manual. Later instrument versions will be documented in a manual changes supplement that will accompany the manual shipped with that instrument. If your instrument serial number is not listed on the title page of this manual or in Table A-1, it may be documented in a *yellow MANUAL CHANGES* supplement.

For additional information on serial number coverage, refer to 4263B Operation manual.

Table A-1. Manual Changes by Serial Number

Serial Prefix or Number	Make Manual Changes
	There are no earlier configurations than the printing date of this manual.

Default Jumper and Switch Settings

Introduction

This appendix describes the setting of the jumpers and switches on the A2 CPU Board Assembly. Use this information when the A2 Assembly is replaced.

Jumper and Switch Settings

Figure B-1 shows the default Jumper and Switch settings. When the A2 CPU Board Assembly is replaced, set the jumpers and switches to the default sides as shown in the figure.

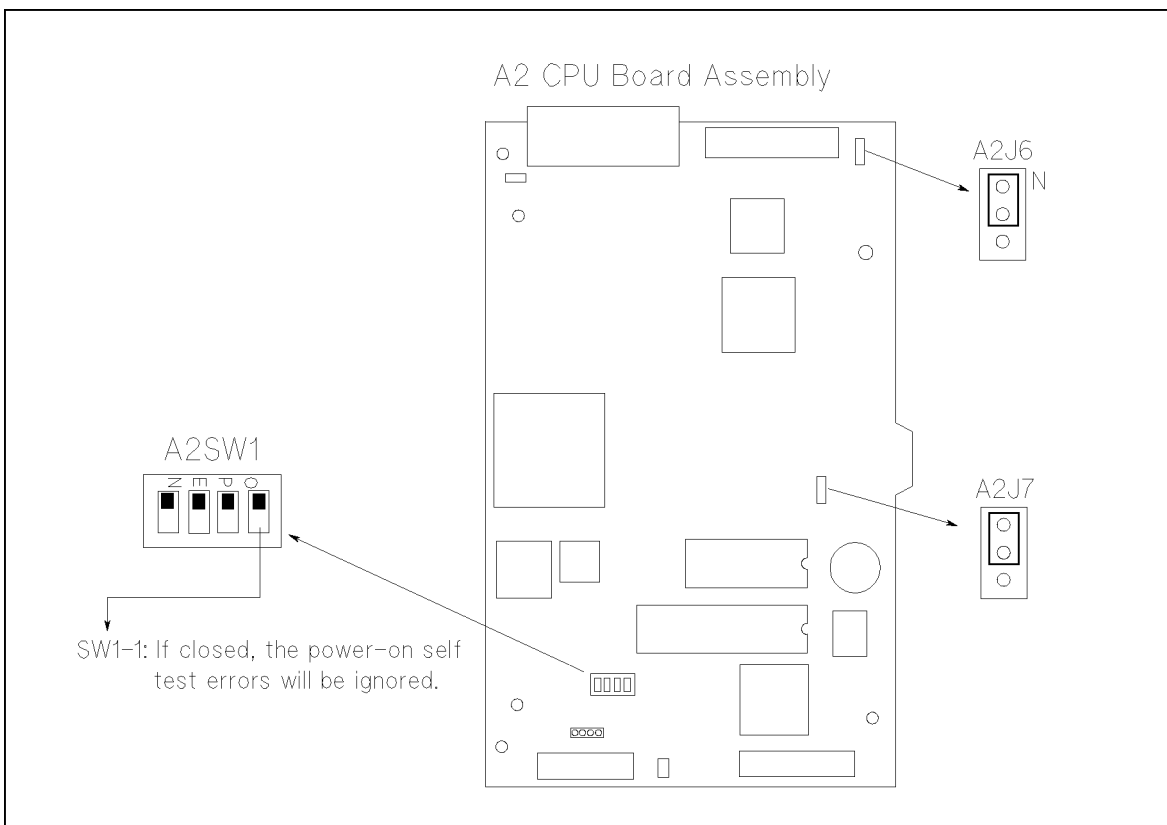


Figure B-1. Jumper and Switch Settings

Index

A

A1 Main Board Removal, 3-10
A2 CPU Board Assembly Removal, 3-10
A5 AC Inlet Board Assembly Removal, 3-10
Adjustable Components, 2-2
Adjustment Program, 2-3
Adjustments, 2-1
Adjustments Procedure References, 2-7
Adjustment Tools, 2-2
After Service Product Safety Checks, 4-2
Analog Section, 4-5
Assembly Replacement, 3-1

B

BNC Connector Removal, 3-11

C

Check Procedure References, 4-13
Cover Removal, 3-9

D

Digital Section, 4-9
Disassembly Procedures, 3-9
Documentation Map, viii

E

EEPROM Write Protect Switch, 2-2

F

Factory-Selected Components, 2-2

G

General Information, 1-1

H

How To Use This Manual, viii

I

Impedance Measurement 0m Adjustment,
2-8
Impedance Measurement 1m Adjustment,
2-9
Impedance Measurement 2m Adjustment,
2-10

Impedance Measurement 4m Adjustment,
2-10

Instruments Covered by This Manual, 1-1

K

Keyboard Assembly Removal, 3-11

L

LCD Assembly Removal, 3-11

M

Manual Changes, A-1

O

Ordering Information, 3-1
Overall Block Diagram, 4-4
Overall Measurement Theory, 4-3

P

Power Supply Section, 4-10
Program Installation, 2-5

R

Related Adjustments, 2-2
Replaceable Assembly List, 3-2
Replaceable Mechanical Parts List, 3-5
Replacing A2 CPU Board Assembly, 3-2
Required Equipment, 1-2
Restored Exchange Assemblies, 3-1

S

Signal Source Level Adjustment, 2-7
Signal Source Section, 4-6

T

Theory of Operation, 4-3
Tools and Fasteners, 3-9
Transducer Section, 4-7
Transformer Parameter Measurement, 4-8
Troubleshooting, 4-11

V

Vector Ratio Detector Section, 4-8

