

User Guide

Keysight  
N4963A  
Clock Synthesizer  
13.5 GHz

## Notices

© Keysight Technologies, Inc. 2012-2014

No part of this manual may be reproduced in any form or by any means (including electronic storage and retrieval or translation into a foreign language) without prior agreement and written consent from Keysight Technologies, Inc. as governed by United States and international copyright laws.

### Manual Part Number

N4963-91021

### Edition

Edition 6.0, October 2014

Printed in Germany

Keysight Technologies, Inc.  
Keysight Technologies R&D and Marketing-  
GmbH & Co. KG  
Herrenberger Str. 130  
71034 Böblingen, Germany

## Warranty

THE MATERIAL CONTAINED IN THIS DOCUMENT IS PROVIDED "AS IS," AND IS SUBJECT TO BEING CHANGED, WITHOUT NOTICE, IN FUTURE EDITIONS. FURTHER, TO THE MAXIMUM EXTENT PERMITTED BY APPLICABLE LAW, KEYSIGHT DISCLAIMS ALL WARRANTIES, EITHER EXPRESS OR IMPLIED WITH REGARD TO THIS MANUAL AND ANY INFORMATION CONTAINED HEREIN, INCLUDING BUT NOT LIMITED TO THE IMPLIED WARRANTIES OF MERCHANTABILITY AND FITNESS FOR A PARTICULAR PURPOSE. KEYSIGHT SHALL NOT BE LIABLE FOR ERRORS OR FOR INCIDENTAL OR CONSEQUENTIAL DAMAGES IN CONNECTION WITH THE FURNISHING, USE, OR PERFORMANCE OF THIS DOCUMENT OR ANY INFORMATION CONTAINED HEREIN. SHOULD KEYSIGHT AND THE USER HAVE A SEPARATE WRITTEN AGREEMENT WITH WARRANTY TERMS COVERING THE MATERIAL IN THIS DOCUMENT THAT CONFLICT WITH THESE TERMS, THE WARRANTY TERMS IN THE SEPARATE AGREEMENT WILL CONTROL.

## Technology Licenses

The hardware and/or software described in this document are furnished under a license and may be used or copied only in accordance with the terms of such license.

## Restricted Rights Legend

If software is for use in the performance of a U.S. Government prime contract or subcontract, Software is delivered and licensed as "Commercial computer software" as defined in DFAR 252.227-7014 (June 1995), or as a "commercial item" as defined in FAR 2.101(a) or as "Restricted computer software" as defined in FAR 52.227-19 (June 1987) or any equivalent agency regulation or contract clause. Use, duplication or disclosure of

Software is subject to Keysight Technologies' standard commercial license terms, and non-DOD Departments and Agencies of the U.S. Government will receive no greater than Restricted Rights as defined in FAR 52.227-19(c)(1-2) (June 1987). U.S. Government users will receive no greater than Limited Rights as defined in FAR 52.227-14 (June 1987) or DFAR 252.227-7015 (b)(2) (November 1995), as applicable in any technical data.

## Safety Notices

### CAUTION

A CAUTION notice denotes a hazard. It calls attention to an operating procedure, practice, or the like that, if not correctly performed or adhered to, could result in damage to the product or loss of important data. Do not proceed beyond a CAUTION notice until the indicated conditions are fully understood and met.

### WARNING

A WARNING notice denotes a hazard. It calls attention to an operating procedure, practice, or the like that, if not correctly performed or adhered to, could result in personal injury or death. Do not proceed beyond a WARNING notice until the indicated conditions are fully understood and met.

## Safety Summary

The following general safety precautions must be observed during all phases of operation of this instrument. Failure to comply with these precautions or with specific warnings or operating instructions in the product manuals violates safety standards of design, manufacture, and intended use of the instrument. Keysight Technologies assumes no liability for the customer's failure to comply with these requirements. Product manuals are provided with your instrument on CD-ROM and/or in printed form. Printed manuals are an option for many products. Manuals may also be available on the Web. Go to [www.keysight.com](http://www.keysight.com) and type in your product number in the Search field at the top of the page.

**General** This product is a Safety Class 1 instrument (provided with a protective earth terminal). The protective features of this product may be impaired if it is used in a manner not specified in the operation instructions.

All Light Emitting Diodes (LEDs) used in this product are Class 1 LEDs as per IEC 60825-1.

**Environment Conditions** This instrument is intended for indoor use in an installation category II, pollution degree 2 environment. It is designed to operate at a maximum relative humidity of 95% and at altitudes of up to 2000 meters.

Refer to the specifications tables for the ac mains voltage requirements and ambient operating temperature range.

**Before Applying Power** Verify that all safety precautions are taken. The power cable inlet of the instrument serves as a device to disconnect from the mains in case of hazard. The instrument must be positioned so that the operator can easily access the power cable inlet. When the instrument is rack mounted the rack must be provided with an easily accessible mains switch.

**Ground the Instrument** To minimize shock hazard, the instrument chassis and cover must be connected to an electrical protective earth ground. The instrument must be connected to the ac power mains through a grounded power cable, with the ground wire firmly connected to an electrical ground (safety ground) at the power outlet. Any interruption of the protective (grounding) conductor or disconnection of the protective earth terminal will cause a potential shock hazard that could result in personal injury.


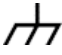










**Do Not Operate in an Explosive Atmosphere** Do not operate the instrument in the presence of flammable gases or fumes.

**Do Not Remove the Instrument Cover** Operating personnel must not remove instrument covers. Component replacement and internal adjustments must be made only by qualified personnel.

Instruments that appear damaged or defective should be made inoperative and secured against unintended operation until they can be repaired by qualified service personnel.


# Safety Symbols

Table 1. Safety Symbol

| Symbol  | Description   |
|---|---|
|    | Indicates warning or caution. If you see this symbol on a product, you must refer to the manuals for specific Warning or Caution information to avoid personal injury or damage to the product.   |
|    | Frame or chassis ground terminal. Typically connects to the equipment's metal frame.  |
|    | Indicates hazardous voltages and potential for electrical shock.  |
|    | Indicates that antistatic precautions should be taken.  |
|    | Indicates hot surface. Please do not touch.   |
|    | CSA is the Canadian certification mark to demonstrate compliance with the Safety requirements.  |
|   | CE compliance marking to the EU Safety and EMC Directives.<br>ISM GRP-1A classification according to the international EMC standard. ICES/NMB-001 compliance marking to the Canadian EMC standard.  |
|  | The RCM mark indicates that this product meets EMS/Product Safety Requirements and may be imported to Australia and New Zealand.  |
|  | This mark indicates compliance with the Canadian EMC regulations.   |
| ISM 1-A   | This text denotes the instrument is an Industrial Scientific and Medical Group 1 Class A product.   |
|  | China RoHS regulations include requirements related to packaging, and require compliance to China standard GB18455-2001. This symbol indicates compliance with the China RoHS regulations for paper/fiberboard packaging.   |
|  | Indicates the time period during which no hazardous or toxic substance elements are expected to leak or deteriorate during normal use. Forty years is the expected useful life of the product.  |
|  | The South Korean Class A EMC declaration (KC) mark indicates that this product is Class A suitable for professional use and is for use in electromagnetic environments outside of the home.<br><br>The KC mark includes the marking's identifier code that has up to 26 digits and follows this format: KCC-VWX-YYY-ZZZZZZZZZZZZ. |

## Compliance and Environmental Information

Table 2. Compliance and Environmental Information

| Safety Symbol   | Description  |
|---|--|
|  | <p>This product complies with WEEE Directive (2002/96/EC) marking requirements. The affixed label indicates that you must not discard this electrical/electronic product in domestic household waste.</p> <p>Product Category: With reference to the equipment types in WEEE Directive Annex I, this product is classed as a “Monitoring and Control instrumentation” product.</p> <p>Do not dispose in domestic household waste.</p> <p>To return unwanted products, contact your local Keysight office for more information.</p> |



# Contents

|          |  |           |
|----------|--|-----------|
| <b>1</b> | <b>Getting Started .....</b>             | <b>11</b> |
| 1.1      | General.....                             | 11        |
| 1.1.1    | Applications.....                        | 11        |
| 1.1.2    | Key Features.....                        | 11        |
| 1.1.3    | Internal clock system.....               | 11        |
| 1.1.4    | Output Amplitude.....                    | 12        |
| 1.1.5    | Display.....                             | 12        |
| 1.1.6    | Interface.....                           | 12        |
| 1.2      | Getting Started with N4963A.....         | 12        |
| 1.2.1    | Unpacking and Installation.....          | 12        |
| 1.2.2    | Important Notes.....                     | 13        |
| 1.2.3    | Performance Recommendations.....         | 13        |
| 1.3      | Connect the Hardware.....                | 13        |
| 1.4      | Setting Frequency and Output Levels..... | 13        |
| 1.5      | Aligning Clock and Data.....             | 14        |
| 1.6      | Enabling Jitter Injection.....           | 14        |
| <b>2</b> | <b>N4963A System Overview.....</b>       | <b>15</b> |
| 2.1      | System Overview.....                     | 15        |
| 2.1.1    | Control.....                             | 15        |
| 2.1.2    | Options.....                             | 15        |
| 2.2      | Front Panel Quick Reference.....         | 17        |
| 2.2.1    | Connectors.....                          | 17        |
| 2.2.2    | Front Panel Controls.....                | 17        |
| 2.3      | Rear Panel Quick Reference.....          | 18        |
| 2.3.1    | Connectors.....                          | 19        |
| 2.3.2    | Label.....                               | 19        |
| 2.3.3    | Controls.....                            | 19        |

|          |   |           |
|----------|---|-----------|
| <b>3</b> | <b>System Details and Performance Specifications.....</b>       | <b>21</b> |
| 3.1      | General.....  | 21        |
| 3.2      | Safety and Regulatory .....                                     | 22        |
|          | 3.2.1 Declaration of Conformity .....                           | 22        |
| 3.3      | Internal Clock.....   | 23        |
| 3.4      | Jitter Injection .....  | 25        |
|          | 3.4.1 Internal Jitter .....                                     | 25        |
|          | 3.4.2 External Jitter .....                                     | 27        |
| <b>4</b> | <b>Operation.....</b>   | <b>29</b> |
| 4.1      | General Information .....                                       | 29        |
|          | 4.1.1 Performance Recommendations .....                         | 30        |
|          | 4.1.2 Connector Care .....                                      | 30        |
| 4.2      | Front Panel Interface .....                                     | 31        |
|          | 4.2.1 Display Panel .....                                       | 32        |
|          | 4.2.2 Local, Clock, Reference, and Jitter Select Controls ..... | 32        |
|          | 4.2.3 Display Selection Controls.....                           | 34        |
|          | 4.2.4 Configuration Adjustment Controls.....                    | 35        |
| 4.3      | Rear Panel Interface .....                                      | 37        |
| 4.4      | Power-on State.....   | 38        |
| 4.5      | System Verification .....                                       | 39        |
|          | 4.5.1 Frequency and Output Amplitude .....                      | 39        |
|          | 4.5.2 DC Offset and Phase Offset .....                          | 42        |
|          | 4.5.3 Internal Jitter Injection.....                            | 44        |
|          | 4.5.4 External Jitter Injection .....                           | 48        |
| 4.6      | Simple Functional Examples .....                                | 50        |
|          | 4.6.1 Generic Test Example.....                                 | 50        |
|          | 4.6.2 Example Using the N4963A to Control the N4962A.....       | 52        |



|          |  |           |
|----------|--|-----------|
| <b>5</b> | <b>Remote GPIB Interface .....</b>   | <b>53</b> |
| 5.1      | GPIB Capabilities .....  | 54        |
| 5.2      | GPIB Command Syntax .....  | 54        |
| 5.2.1    | GPIB Command Syntax.....   | 55        |
| 5.3      | IEEE Common Commands.....  | 56        |
| 5.4      | SCPI Mandated Commands .....   | 57        |
| 5.5      | N4963A Device Commands.....  | 57        |
| 5.6      | SCPI Protocol Description .....  | 58        |
| 5.6.1    | SCPI Example .....   | 58        |
| 5.7      | Command Summary .....  | 59        |
| 5.7.1    | Root Subsystem .....   | 59        |
| 5.7.2    | :SOURce Subsystem .....  | 63        |
| 5.7.3    | JITTer Subsystem(N4963A 101) .....   | 64        |
| 5.8      | IEEE Common Capabilities .....   | 67        |
| <b>6</b> | <b>Returning the N4963A Clock Synthesizer to Keysight Technologies ...</b> | <b>73</b> |



# 1 Getting Started

## 1.1 General

The N4963A Clock Synthesizer 13.5 GHz generates six pairs of differential square-wave clock outputs from 500 MHz to 13.5 GHz. The instrument features programmable output amplitude, DC offset, phase offset, sub-rate trigger, and jitter injection.

The N4963A feature set includes:

- Clock generation from 0.5 to 13.5 GHz
- GPIB-adjustable output parameters
- 1 Hz to 100 MHz jitter injection (Option-101)

### 1.1.1 Applications

- General instrument-grade clock generation
- Compatible with N4962A Serial BERT and N4965A multi-channel BERT
- Combine with a BERT for
  - Multi-lane PRBS eye mask testing
  - Multi-channel stressed eye BER testing
  - Crosstalk analysis with multiple aggressors

### 1.1.2 Key Features

- Low cost, high performance
- Six differential clock outputs
  - Two differential front panel outputs (jittered and reference)
  - Four differential rear panel outputs (two jittered and two reference)
- GPIB programmable
- Designed for testing datacom standards
  - Operates 0.5 to 13.5 GHz
  - High-UI jitter injection (Option-101)

### 1.1.3 Internal clock system

- Internal or external 10 MHz reference
- Synthesized 0.5 to 13.5 GHz clock
- Programmable low-rate trigger output (divide-by-8,9,10,...,510,511)

### 1.1.4 Output Amplitude

- Front panel, single-ended 0.6 to 2 V pp
- Rear panel, single-ended 0.2 to 0.8 V pp
- Front panel, DC offset -2 V to +2 V

### 1.1.5 Display

- LED indicators and display

### 1.1.6 Interface

- Local push-button control
- GPIB (IEEE 488.2-1992)
- Compatible with N4980A multi-instrument software user interface

## 1.2 Getting Started with N4963A

### 1.2.1 Unpacking and Installation

The N4963A clock synthesizer 13.5 GHz is shipped with all the accessories required for the self-test mode and verification. The contents includes:

- N4963A clock Synthesizer
- 6x band pass filters
- AC power converter module
- AC power cord
- CD containing the N4963A user guide and N4963A data sheet

#### **WARNING**

If this product is not used as specified, the protection provided by the equipment could be impaired. This product must be used in a normal condition (in which all means for protection are intact) only.

#### **CAUTION**

Before switching on this instrument, make sure the supply voltage is in the specified range.

#### **CAUTION**

This instrument has auto ranging line voltage input. Be sure the supply voltage is within the specified range.

In an ESD-safe environment, carefully remove the N4963A. Install on a flat surface with unobstructed air flow to the back panel. Plug the AC power cord into the power converter module and a wall socket, then plug the converter module into the N4963A.

### 1.2.2 Important Notes

- Use ESD protection at all times when using the instrument
- Review min/max specifications before applying input signals
- Use only SMA-connectors on the RF ports
- Use only BNC-connectors on the 10MHz reference ports
- Use dust jackets on unused back panel connectors
- Situate the instrument away from heat sources, do not block the fan

### 1.2.3 Performance Recommendations

1. When using differential-mode connections, ensure the cables are phase balanced
2. Differential connectors may be used single-ended if the unused output is terminated in  $50 \Omega$
3. Use high quality cables and connector savers (or adaptors)
4. Keep cable lengths short and minimize number of cable bends
5. Use a 7 to 10 in-lbs torque wrench when attaching connectors

## 1.3 Connect the Hardware

- Connect power cord to adaptor to N4963A; plug in the power cord.
- Connect the *Jittered OUT* to your instrument transmit clock input using the filters provided. Note: Filters are provided for 6-11.5 GHz and 9-13 GHz operation.
- Connect the *Reference OUT* to your instrument receive clock input using the filters provided. Note: Filters are provided for 6-11.5 GHz and 9-13 GHz operation.
- Connect the **Trig-O** to the trigger input of your sampling instrument (the default trigger output frequency is clock frequency/8).
- If using an external reference, connect the reference to the **10 MHZ IN** BNC connector.

## 1.4 Setting Frequency and Output Levels

- Turn on the power switch from the back panel.
- The N4963A synthesizer starts with the **FREQ** option selected by default and "005.000G" showing in the display.
- Set the desired frequency using the **Unit**, **Digit** and **Value** buttons.
- Press the *Display*->**Scroll** ↓ button and select **AMP**. Select the output channel bank with the **Chan** button. Set the desired single-ended peak-to-peak voltage using the **Unit**, **Digit** and **Value** buttons.
- Press the *Display*->**Scroll** ↓ button and select **DC OFFSET**. Select the output channel bank with the **Chan** button. Set the desired DC offset voltage using the **Digit** and **Value** buttons.

- If using an external reference, press the **Ext 10MHz** button, and the indicator will light. The internal reference is being used if the indicator is off.
- To turn on the clock output and the trigger signal, press the *Clock->On* button. The green LED will light indicating the synthesizer is transmitting.

## 1.5 Aligning Clock and Data

- The front panel *Reference Output* (channel 1) signal can be phase shifted relative to all other output channels.
- Press the *Display->Scroll ↓* button and select **DELAY**. Set the phase offset between channel 1 and all other channels using the **Digit** and **Value** buttons.
- Center the reference clock for minimum BER or other desired state.

## 1.6 Enabling Jitter Injection

- Using the jitter **Select** button, select either the internal (**Int Jitter**) or external (**Ext Jitter**) jitter source.
- Using the internally generated jitter source (**Int Jitter**):
  - Press the *Display->Scroll ↓* button and select **JITTER FREQ**.
  - Set the modulation frequency with the **Unit**, **Digit** and **Value** buttons.
  - Press the *Display->Scroll ↓* button until the **MORE** indicator LED is lit and the display shows "J xx.x ui". Adjust the amount of jitter using the **Value** button.
- Using an external source for phase jittering (**Ext Jitter**):
  - Press the *Display ->Scroll ↓* button and select **JITTER FREQ**.
  - **JITTER FREQ** indicates low jitter frequency mode, "Ext Low", or high jitter frequency mode, "Ext Hi". Toggle with the **Value** button.
  - "Ext Low" mode should be used for modulation frequencies below 2.4 MHz. The input is digitally sampled and the amount of jitter can be scaled by pressing the *Display->Scroll ↓* button until the display shows "ExtUI= xx". Use the **Value** button to set the scaling factor ("ExtUI=16" sets the scale of 16 UI for 1 Vpp input amplitude).
  - "Ext Hi" mode should be used for modulation frequencies above 2.4 MHz. The amount of jitter injected is directly related to the amplitude of the applied signal, to a maximum extent of 0.6 UI.

## 2 N4963A System Overview

### 2.1 System Overview

The Keysight Technologies N4963A clock synthesizer 13.5 GHz generates six pairs of differential square-wave clock outputs from 500 MHz to 13.5 GHz. The instrument features programmable output amplitude, DC offset, phase offset, sub-rate trigger, and jitter injection.

#### 2.1.1 Control

System configuration settings are all available from the local push-button interface or remote GPIB (IEEE 488.2) interface. Instrument status is conveyed on the front panel by LED indicator and the 8-digit display.

#### 2.1.2 Options

The N4963A is available with the following build options:

- standard: 500 MHz to 13.5 GHz operation, 6 differential unjittered outputs
- Option-101: Adds jitter injection capability to 3 differential output channels

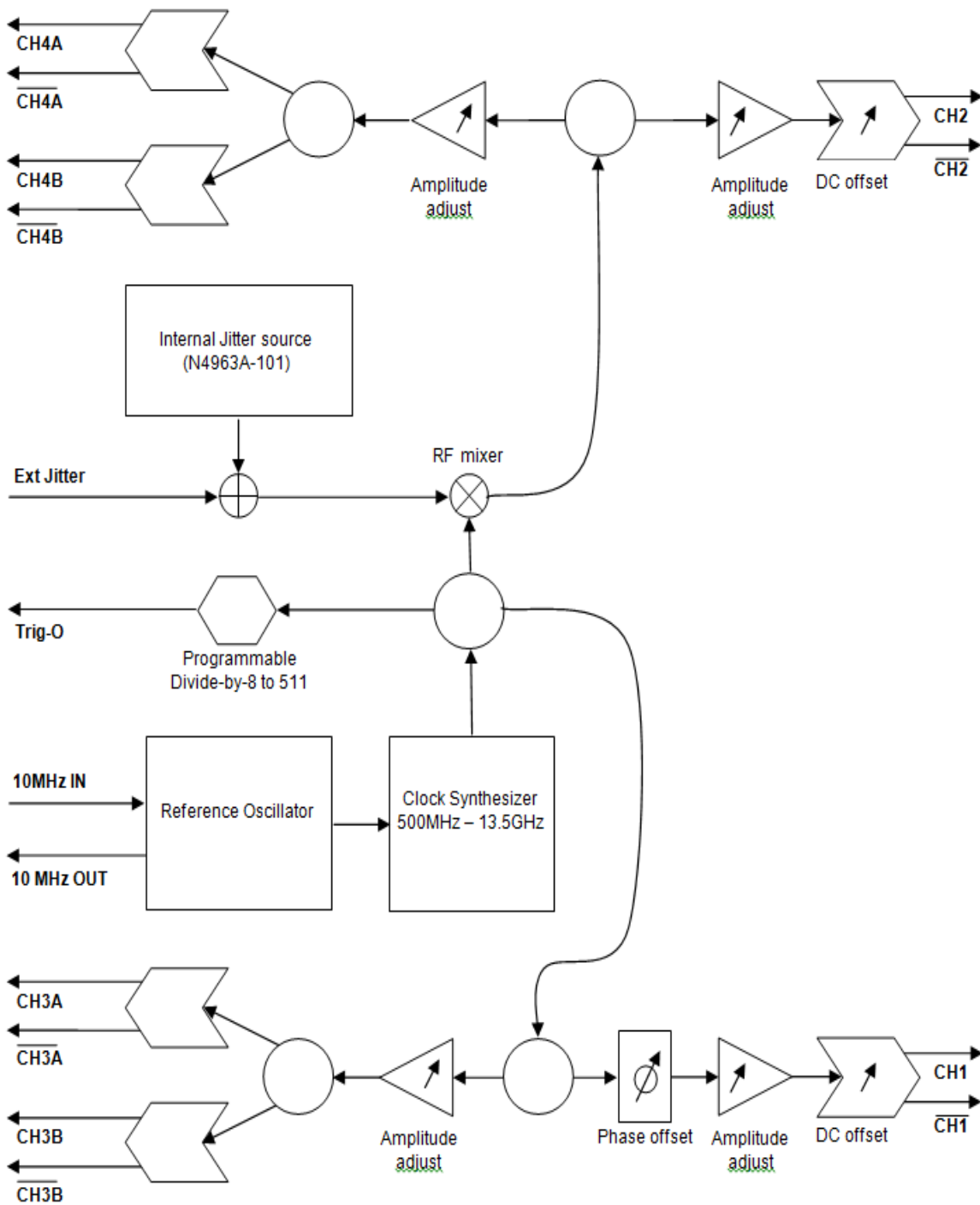


Figure 1. N4963A block diagram



## 2.2 Front Panel Quick Reference



Figure 2. N4963A front panel

### 2.2.1 Connectors

Reference Outputs: OUT,  $\overline{\text{OUT}}$  (SMA) – differential unjittered outputs, channel 1

Jittered Outputs: OUT,  $\overline{\text{OUT}}$  (SMA) – differential jittered outputs, channel 2

### 2.2.2 Front Panel Controls

Table 3. Front panel control and indicator details

| Label  | LED indication  | Button Function  |
|--|---|--|
| Local  | On- Local control<br>Off- GPIB control                              | Switches unit control from GPIB to front panel control.  |
| Clock  | On- System on<br>Off- System off                                    | Turns clock and trigger outputs on and off.  |
| Ext 10 MHz   | On- External ref<br>Off- Internal ref                               | Toggles the 10 MHz reference clock between an externally-applied source and the internally-generated source.   |
| Select (Jitter):<br>Jitter Off<br>Int Jit<br>Ext Jit | Off- All jitter off<br>Int- Internal jitter<br>Ext- External jitter | Requires N4963A-101. Toggles between injecting no jitter, injecting jitter from the internal jitter generator, and injecting jitter from the externally-applied source.                        |
| Chan +/-   |   | Selects output channel for parameter change. Amplitude channels A1 (front reference), A2 (front jittered), A3 (back), A4 (back). DC offset channels O1 (front reference), O2 (front jittered). |

| Label       | LED indication    | Button Function   |
|-------------|-------------------|---|
| Value +/-   |                   | Increases or decreases the currently displayed parameter value.   |
| Digit +/-   |                   | Selects the digit of the currently displayed parameter. Selected digit blinks on display.               |
| Unit +/-    |                   | Selects the unit of the currently displayed parameter value. Options are G (GHz), M (MHz), and K (kHz). |
| Scroll      |                   | Selects the menu option to display and modify.  |
| FREQ        | Clock frequency   |   |
| AMP         | Output amplitude  |   |
| DC OFFSET   | Output DC offset  |   |
| DELAY       | Phase offset      |   |
| JITTER FREQ | Jitter frequency  |   |
| MORE        | Other menu option |   |
| Unleveled   | On- Unleveled     | Turns on if any of the output amplitudes become uncalibrated.   |

The default power-on settings are listed in [4.4 Power-on State](#). The front-panel controls are further discussed in [4.2 Front Panel Interface](#).

## 2.3 Rear Panel Quick Reference



Figure 3. N4963A rear panel

### 2.3.1 Connectors

10 MHz IN, 10 MHz OUT (BNC) – 10 MHz reference input and output

Jit CH4A,  $\overline{\text{CH4A}}$  (SMA) – Differential jittered outputs, channel 4

Ref CH3A,  $\overline{\text{CH3A}}$  (SMA) – Differential reference (un-jittered) outputs, channel 3

Jit CH4B,  $\overline{\text{CH4B}}$  (SMA) – Differential jittered outputs, channel 4

Ref CH3B,  $\overline{\text{CH3B}}$  (SMA) – Differential reference (un-jittered) outputs, channel 3

Trig-O (SMA) – Programmable sub-rate trigger output  
(clk/[8,9,10,...,510,511])

Ext-Jitter (SMA) – External jitter modulation input port (DC to 100 MHz)

(GPIB) – GPIB connector, conforms to IEEE 488.1 mechanical specification

### 2.3.2 Label

SN (white area) – N4963A serial number

### 2.3.3 Controls

GPIB (switch panel) – N4963A GPIB address (down is '0', up is '1', LSB is on the left) (Default GPIB address as shipped from the factory is 16)

Power connector – connects with AC/DC adapter. Use only the supplied AC/DC adapter.



# 3 System Details and Performance Specifications

Specifications describe the instrument's warranted performance. Non-warranted values are stated as typical. All specifications are valid in a range from 10°C to 40°C ambient temperature after a 30 minute warm-up phase.

The clock output channels are grouped in differential pairs. When a single port of a differential pair is used in a single-ended method of measurement, the complementary port must be terminated with a 50  $\Omega$  -terminated connector.

## 3.1 General

Table 4. General and mechanical parameters of N4963A

|                       |   |
|-----------------------|---|
| Operating Temperature | +10°C to +40°C  |
| Storage Temperature   | -40°C to +70°C  |
| Power Requirements    | 42 W External AC Adaptor (included) <ul style="list-style-type: none"> <li>• 100 to 240 V AC, 47 to 63 Hz</li> </ul>  |
| Physical Dimensions   | Width: 254 mm (10 in), Height: 63.5 mm (2.5 in), Depth: 254 mm (10 in)  |
| Weight                | 3.4 kg (7.5 lbs)  |
| EMC                   | Complies with European EMC Directive 2004/108/EC <ul style="list-style-type: none"> <li>• IEC/EN 61326-1</li> <li>• CISPR Pub 11 Group 1, class A</li> <li>• AS/NZS CISPR 11</li> <li>• ICES/NMB-001</li> </ul> |

This ISM device complies with Canadian ICES-001.

Cet appareil ISM est conforme a la norme NMB-001 du Canada.

## 3.2 Safety and Regulatory

This product has been designed and tested in accordance with accepted industry standards, and has been supplied in a safe condition. The documentation contains information and warnings that must be followed by the user to ensure safe operation and to maintain the product in a safe condition.

### **WARNING**

Do not remove instrument covers. There are no user serviceable parts within. Operation of the instrument in a manner not specified by Keysight Technologies may result in personal injury or loss of life.

### **WARNING**

To prevent electrical shock, disconnect instrument from mains before cleaning. Use a dry cloth or one slightly dampened with water to clean the external case parts. Do not attempt to clean internally.

### **WARNING**

For continued protection against fire hazard, replace fuses, and or circuit breakers only with same type and ratings. The use of other fuses, circuit breakers or materials is prohibited.

### **CAUTION**

The Mains wiring and connectors shall be compatible with the connector used in the premise electrical system. Failure, to ensure adequate earth grounding by not using the correct components may cause product damage, and serious injury.

### 3.2.1 Declaration of Conformity

A EU declaration of conformity is available at  
<http://regulations.corporate.keysight.com/doc/search.htm>

### 3.3 Internal Clock

The internal clock is generated by a fractional-N phase-locked loop (PLL) locked to a user-selectable internal or external 10 MHz reference clock.

The PLL multiplies the reference clock up to the high-frequency (HF) output rate. The internal reference clock is specified in [Table 5](#).

Table 5. Parameters for N4963A 10 MHz reference

|                                       |   |
|---------------------------------------|---|
| Reference Frequency                   | 10 MHz internal or external                 |
| 10 MHz external input frequency       | 10 MHz $\pm$ 10 ppm                         |
| 10 MHz external input amplitude range | 0.5 to 2 Vpp                                |
| 10 MHz reference output               | 500 mVpp                                    |
| Interface                             | AC coupled, 50 $\Omega$ nominal, female BNC |

The clock synthesizer 13.5 GHz operates to 13.5 GHz.

The HF clock signal is split into three paths: an un-jittered reference path, an optionally jittered path, and a trigger output. See the block diagram in [Figure 1](#).

The un-jittered reference path is available from the front-panel CH1 differential outputs, and from the rear-panel CH3A and CH3B differential outputs. CH1 has a programmable phase skew relative to all the other channels, programmable output amplitude, and programmable DC offset. CH3A and CH3B share the same programmable output amplitude. See [Table 6](#).

If the synthesizer includes Option 101 jitter injection, N4963A-101, the jittered high-frequency signal will be available from the front-panel CH2 differential outputs and the rear-panel CH4A and CH4B differential outputs. CH2 has programmable output amplitude and programmable DC offset. CH4A and CH4B share the same programmable output amplitude. See [Table 6](#).

With N4963A-101, jitter can be internally generated or supplied externally. Without N4963A-101, the un-jittered reference clock is available from CH2, CH4A, and CH4B.

Table 6. Parameters for N4963A clock outputs

|   |  |
|---|--|
| All clock outputs                             |  |
| Frequency of operation                        | 0.5 to 13.5 GHz  |
| Frequency resolution                          | 1 kHz when GPIB controlled<br>1 kHz at frequencies < 1GHz when front panel controlled<br>1 MHz at frequencies $\geq$ 1 GHz when front panel controlled |
| Frequency accuracy                            | $\pm 5$ ppm maximum  |
| Rise/Fall times (20 to 80%)                   | < 50 ps typ from 0.5 to 10 GHz<br>< 25 ps typ from 10 to 13.5 GHz  |
| Jitter  | 2.6 ps rms typ from 0.5 to 2.5 GHz<br>1.5 ps rms typ from 2.5 to 13.5 GHz  |
| Front panel outputs (Channel 1 and Channel 2) |  |
| Amplitude                                     | 0.6 to 2.0 V from 0.5 to 7.5 GHz<br>0.6 to 1.5 V from 7.5 to 13.5 GHz  |
| Amplitude resolution                          | 1 mV   |
| Offset voltage                                | -2.0 to +2.0 V   |
| Offset voltage resolution                     | 10 mV  |
| Phase adjust (Channel 1 only)                 | -180 to +178 °   |
| Phase adjust resolution (Channel 1 only)      | 2 °  |
| Interface                                     | Differential. DC coupled, 50 $\Omega$ nominal, female SMA<br>(May be operated single end without unused output terminated into 50 $\Omega$ .)          |
| Rear panel outputs (Channels 3A, 3B, 4A, 4B)  |  |
| Amplitude                                     | 0.2 to 0.8 V from 0.5 to 7.5 GHz<br>0.2 to 0.6 V from 7.5 to 13.5 GHz  |
| Amplitude resolution                          | 1 mV   |
| Interface                                     | Differential. AC coupled, 50 $\Omega$ nominal, female SMA<br>(May be operated single end without unused output terminated into 50 $\Omega$ .)          |



The third high-speed clock is internally divided by a programmable divider and then is available from the trigger output port. The divide modulus can be selected as an integer value between 8 and 511; the output waveform duty cycle varies with divide ratio. See [Table 7](#).

Table 7. Parameters for N4963A programmable trigger output

| Trigger Output       |   |
|----------------------|---|
| Type                 | Divided clock trigger                       |
| Trigger divide range | Division ration 8 to 511 in steps of 1      |
| Trigger Frequency    | Clock frequency / Trigger Division ratio    |
| Amplitude            | > 400 mV typ                                |
| Interface            | AC coupled, 50 $\Omega$ nominal, female SMA |

## 3.4 Jitter Injection

Internal and external jitter injection capability is only available when the unit includes Option-101. It may be possible to upgrade your clock synthesizer to include Option-101, contact <http://www.keysight.com/find/assist> for more information.

When manufactured with N4963A-101, the front panel CH2 and rear panel CH4A and CH4B are optionally jittered with either an internal or external jitter modulation signal. The modulation signal is frequency modulated onto the high-frequency clock.

Without N4963A-101, CH2, CH4A, and CH4B supply non-jittered reference clocks.

### 3.4.1 Internal Jitter

The jitter modulation signal can be generated by an internal source within the clock synthesizer. Internal low frequency jitter is generated from a lookup table in the FPGA, internal high frequency jitter is generated from a Direct Digital Synthesizer (DDS).

To use internal jitter injection, press the jitter select button and select Int Jitter. Set the modulation frequency by adjusting the JITTER FREQ menu option. Set the amount of jitter by scrolling down until the MORE menu option is selected and “J xx.xui” is shown on the display.

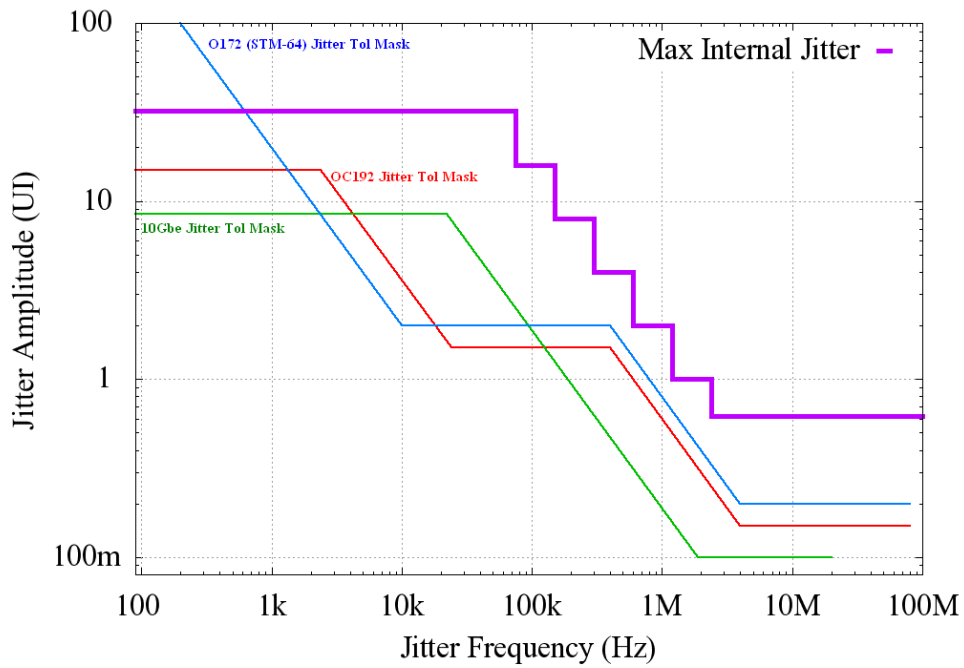


Figure 4. Maximum internal jitter generation vs. frequency

When using the internal jitter source, the method of generation is automatically selected based on the modulation frequency selected. However, different generation methods allow different amounts of jitter to be injected. Figure 4 and Table 8 indicate the maximum amount of jitter UI as a function of jitter modulation frequency.

Table 8. Parameters for N4963A internal jitter injection

| Jitter injection (Option 101)                    |   |
|--|---|
| Jitter injection source                          | Internal or External  |
| Jittered outputs                                 | Channel 2 (front panel) and Channels 4A and 4B (rear panel)   |
| Jitter injection frequency range                 | 1 Hz to 100 MHz   |
| Jitter injection frequency resolution (internal) | 1 Hz from 1 Hz to 1 MHz injection frequency   |
|  | 1 kHz from 1 to 100 MHz injection frequency   |
| Jitter injection range <sup>1</sup>              | 0 to 32 UI from 1 to 75 kHz<br>0 to 16 UI from > 75 to 150 kHz<br>0 to 8 UI from > 150 to 300 kHz<br>0 to 4 UI from > 300 to 600 kHz<br>0 to 2 UI from > 600 kHz to 1.2 MHz<br>0 to 1 UI from > 1.2 to 2.4 MHz<br>0 to 0.6 UI from > 2.4 to 100 MHz |
| Jitter injection resolution                      | 0.01 UI   |
| External Jitter input voltage                    | 1 V pp max  |
| External Jitter Injection Interface              | DC coupled, 50 $\Omega$ nominal, female SMA   |

<sup>1</sup> At 5 GHz

### 3.4.2 External Jitter

The jitter modulation signal may also be externally supplied by applying a signal to the external jitter port. Low frequency jitter signals are sampled by an ADC, and the jitter modulation signal is generated from a lookup table in the FPGA. High frequency signals are directly modulated onto the high-frequency clock.

To use external jitter injection, press the jitter select button and select Ext Jitter. Next, indicate the low or high frequency mode desired by selecting *JITTER FREQ* menu option and setting the mode. “Ext Hi” will select the high-frequency mode, “Ext Low” will select the low-frequency mode. The amplitude of the external signal determines the amount of jitter injected (UI), while the frequency of the external signal determines the modulation rate.

In “Ext Low” mode, a scaling factor is used to generate high-UI jitter. The UI/volt scaling factor is available through the MORE menu option, the display will read “ExtUI=xx”. Adjust the scaling factor to generate the desired amount of UI for an input amplitude. In “Ext Low” mode, multiple UI deviation is possible by either increasing the amplitude of the applied signal or by increasing the deviation scaling factor.

The low- and high-frequency external jitter injection methods overlap, but do not count on the unit operating properly outside the specified frequency band. Also note that if the scaling factor is set higher than 1, the amount of UI injected will step when toggling between low and high frequency modes. Figure 5 indicates the maximum UI deviation as a function of jitter frequency.

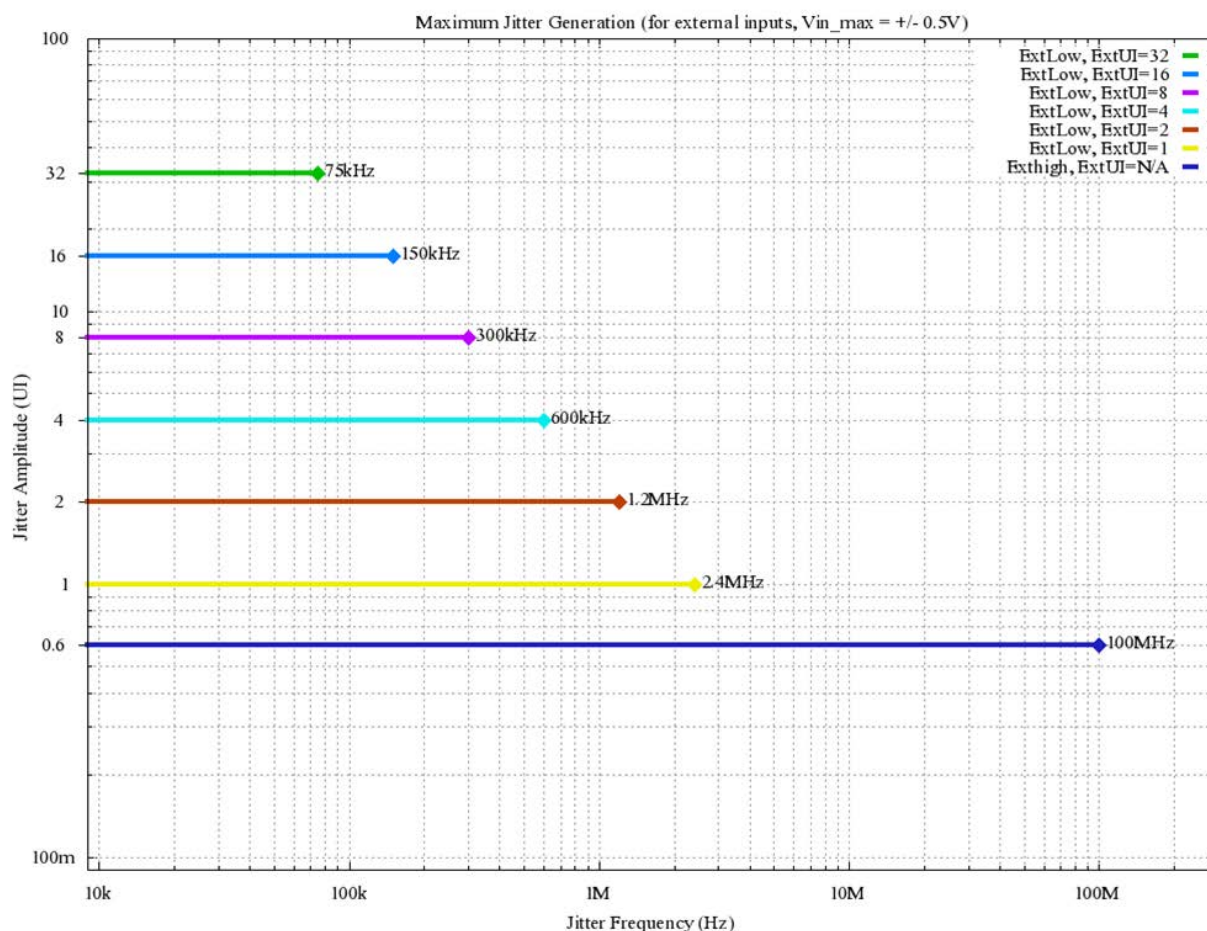


Figure 5. Maximum external jitter generation vs. frequency

Table 9. Parameters for N4963A external jitter injection

|                           |  |
|---------------------------|--|
| Modulation Source         | External Signal Generator                  |
| Maximum input             | 1 V pp                                     |
| Input                     | Female-SMA, Single-Ended, DC-Coupled, 50 Ω |
| Deviation scaling factors | 1, 2, 4, 8, 16 and 32                      |

# 4 Operation

The following section provides more detailed information regarding the use of the N4963A clock synthesizer 13.5 GHz. Please refer to the front and rear panel quick reference, in Section 2, for abbreviated information.

## 4.1 General Information

The N4963A clock synthesizer 13.5 GHz should be used in accordance with the following:

- Read and follow operating instructions; do not exceed min/max specifications.
- Use ESD protection at all times, but especially when handling RF input/outputs; ground coaxial cable conductor pins before use to remove static buildup.
- Situate the instrument away from heat sources.
- Do not block airflow to the fan; do not allow foreign material into enclosure.
- Always use provided AC adaptor. Do not power the unit with a different adaptor. Do not modify the power plug or wall outlet to remove the third (ground) pin.
- Do not drop or shake the instrument; minimize vibration; handle with care.
- There are no user-serviceable parts within. Return damaged instruments for factory-authorized repair. Refer to instrument warranty for more information.

### 4.1.1 Performance Recommendations

Follow the following recommendations for best performance:

1. When using differential mode connection for OUT/OUT, ensure the cables are phase balanced. If the electrical length of one cable is a significant fraction of a unit interval longer than the other, the quality of the differential signal will be degraded.
2. Keep cable lengths short and minimize number of cable bends.
3. When using a single port of differential output channel for single-ended measurements, the complementary port must be terminated with a 50  $\Omega$  termination.

### 4.1.2 Connector Care

The N4963A clock synthesizer 13.5 GHz features high-quality SMA connectors for the front and rear panel Input and Output, RF connections. Connector damage will degrade signal fidelity.

Refer to the N4960-90030 N495xA through N498xA Connector Care Reference Guide at [www.keysight.com/find/N4963A](http://www.keysight.com/find/N4963A).

Keysight Technologies also recommends the following:

- Use a 7 to 10 in-lbs torque wrench when attaching connectors.
- Consider using connector savers to prolong performance and minimize damage.
- Differential connectors may be used single-ended if second end terminated in 50  $\Omega$ .

Inspect the connectors for the following:

- Worn or damaged threads
- Scratches to mating surface
- Burrs and loose metal particles
- Dust or foreign material in the space surrounding the center pin (type K only)
- Ensure that female contacts are straight and aligned

Clean the connectors as described in the following procedure. Cleaning connectors with alcohol shall only be done with the instruments power cord removed, and in a well-ventilated area. Allow all residual alcohol moisture to evaporate, and the fumes to dissipate prior to energizing the instrument.

1. Remove any dust or loose particles using a low-pressure air source.
2. Moisten a lint-free swab with isopropyl alcohol. Do not saturate the swab.

3. Minimize the wicking of the alcohol into the connector structure.
4. Clean the mating plane surfaces and threads.
5. Allow alcohol to evaporate, and then use a low-pressure air source to blow surfaces clean.
6. Make sure no particles or residue remains.
7. Inspect connector for damage.

## 4.2 Front Panel Interface



Figure 6. N4963A front panel

The N4963A front panel indicates the system configuration and can be used for local operation of the instrument. The front panel contains four groupings of buttons and lights:

1. Local status, clock output status, and 10 MHz reference path controls;
2. Jitter source control;
3. Configuration adjustment controls; and
4. Display selection controls.

The front panel also contains an eight character LED display and output unleveled LED. The front panel outputs are Channel 1, a differential reference clock output, and Channel 2, a differential jittered clock output. The front panel outputs allow for DC offsets and are therefore DC coupled.

Both outputs are available for use in single-ended or differential applications. To use the connector pairs in a single-ended configuration, terminate the unused RF connector with a 50  $\Omega$  termination. For differential applications, ensure the cables used are phase balanced.

The reference output signal is described in Section 3.3 and clock jittering is described in Section 3.4.

### 4.2.1 Display Panel



Figure 7. N4963A front panel – display panel

Table 10. N4963A front panel – display panel

| Text      | Type                  | Description  | Default    |
|-----------|-----------------------|--|------------|
| Unleveled | LED light             | The unleveled indicator is lit when any of the clock Off outputs reach a level where they are un-calibrated.   |            |
|           | 8-digit display panel | The eight-character display shows the current configuration option selected by using the <i>Display</i> -> <i>Scroll UP</i> and <i>DOWN</i> buttons.<br><br>When one of the configuration <i>Adjust</i> buttons are selected, the display will show the corresponding configuration setting. | Freq (GHz) |

### 4.2.2 Local, Clock, Reference, and Jitter Select Controls



Figure 8. N4963A front panel – local, receiver, and data path controls



Table 11. N4963A front panel – local, receiver, and data path controls

| Text   | Type                    | Description   | Default    |
|--|-------------------------|---|------------|
| Local  | button<br>& light       | Light indicates local control: <ul style="list-style-type: none"> <li>• ON when front-panel control is enabled;</li> <li>• OFF when remote GPIB interface is in use.</li> </ul> Button switches to local control.   | On         |
| Clock<br>-><br>On                                      | button<br>& light       | Light indicates whether the output is enabled, and a signal is present at the clock outputs.  | Off        |
| Ext 10 MHz   | button<br>& light       | Light indicates the synthesizer reference source: <ul style="list-style-type: none"> <li>• OFF when 10 MHz source is internal</li> <li>• ON when 10 MHz source is external</li> </ul>   | Off        |
| Select<br>-><br>Jitter Off<br>Int Jitter<br>Ext Jitter | button<br>& 3<br>lights | Light indicates which Jitter modulation path is selected: <ul style="list-style-type: none"> <li>• Jitter Off: No jitter modulation of the jittered clock outputs (CH2, CH4A and CH4B).</li> <li>• Int Jitter: The jitter modulation source is from the internal generator.</li> <li>• Ext Jitter: The jitter modulation is from an external signal applied to the Ext Jitter connector on the back panel.</li> </ul> | Jitter Off |

### 4.2.3 Display Selection Controls



Figure 9. N4963A front panel – display selection controls

Table 12. N4963A front panel – display selection controls

| Text                    | Type                                   | Description  | Default    |
|-------------------------|--|--|------------|
| Display<br>-><br>Scroll | UP and DOWN<br>buttons<br>and 6 lights | Buttons select the measurement or configuration option to display on the display panel: <ul style="list-style-type: none"> <li>• UP selects the previous display item;</li> <li>• DOWN selects the next display item.</li> </ul> | Freq (GHz) |

The selection process wraps around the display options (pressing DOWN at the last item selects the first item).

The display options are:

- FREQ
- AMP
- DC OFFSET
- DELAY
- JITTER FREQ
- MORE (multiple options within this selection)

### 4.2.4 Configuration Adjustment Controls



Figure 10. N4963A front panel – configuration adjustment controls

Table 13. N4963A front panel – configuration adjustment controls

| Indicator LED | 8-Digit Display | Function  | Units                   | Default  |
|---------------|-----------------|---|-------------------------|----------|
| FREQ          | xxx.xxxG        | Displays the clock frequency.<br>Unit – selects the frequency band<br>Digit – selects the digit to change<br>Value – changes the value                              | G-GHz<br>M-MHz<br>K-kHz | 005.000G |
| AMP           | A1 x.xxx        | Displays the output amplitude of the selected channel.<br>Chan – selects channel A1, A2, A3, A4<br>Digit – selects the digit to change<br>Value – changes the value | Vppk                    | A1 0.500 |
| DC OFFSET     | 01 x.xxx        | Displays the DC offset of the selected channel.<br>Chan – selects channel 01, 02<br>Digit – selects the digit to change<br>Value – changes the value                | Volts                   | 01 0.00  |
| DELAY         | Ph1 xxx         | Displays the phase offset applied to reference clock CH1.<br>Digit – selects the digit to change<br>Value – changes the value                                       | degrees                 | 90       |

| Indicator LED | 8-Digit Display | Function  | Units          | Default   |
|---------------|-----------------|---|----------------|-----------|
| JITTER FREQ   | xxx.xxxM        | Displays the internally generated modulation frequency when <i>Int Jitter</i> is on.<br>Unit – selects the frequency band<br>Digit – selects the digit to change<br>Value – changes the value | M-MHz<br>K-kHz | 000.100M  |
|               | Ext (Low/Hi)    | Indicates the low- or high-frequency mode when using an external modulation signal with <i>Ext Jitter</i> on.<br>Value – toggles between Low and High   |                | Ext Low   |
| MORE          | J xx.x ui       | Displays the amount of UI injected when using internally-generated jitter.<br>Value – changes the value   | UI             | J 00.1 ui |
| MORE          | ExtUI=xx        | Displays the scaling factor for the externally applied jitter signal when in low-frequency mode.<br>Value – changes the value   | UI/Volt        | ExtUI=16  |
| MORE          | PRE=xxx         | Displays the programmable divider rate for the trigger output.<br>Value – changes the value   |                | PRE=008   |
| MORE          | TG1C1-A         | Displays the original instrument model number.  |                |           |
| MORE          | SN #xxxx        | Unit serial number (only the last four digits of the serial number are shown on the front panel display)  |                |           |
| MORE          | Rev xxxx        | Firmware revision number  |                |           |

## 4.3 Rear Panel Interface



Figure 11. N4963A rear panel

The N4963A rear panel features connectors for four differential clock output channels, CH3A, CH3B, CH4A and CH4B. Also included are the trigger output (Trig O), the external jitter modulation input (Ext Jitter), and an input and output for the 10 MHz reference clock. The rear panel also includes a 5-bit GPIB address switch, GPIB connector, power switch, power supply din connector, and a built-in cooling fan. See [Figure 1](#) for a system block diagram.

The two differential reference (un-jittered) outputs CH3A and CH3B (both SMA) are labeled Ref. The two differential jittered outputs CH4A and CH4B (both SMA) are labeled Jit. If the synthesizer was built without N4963A-101, the panel marking will be unchanged, and the differential outputs will generate reference clocks.

Output amplitude of CH3 (CH3A and CH3B) and CH4 (CH4A and CH4B) are adjustable. The outputs are AC coupled and no DC offset is available from the rear panel outputs.

The programmable divide-by-8 to 511 sub-rate output is available from the trigger output connector Trig O (SMA), a 50  $\Omega$ , AC coupled output.

The external jitter input connector Ext Jitter (SMA) is a 50  $\Omega$  input and is DC connected. If the synthesizer was built with N4963A-101, an external signal can be applied and is frequency modulated onto the clock.

BNC connectors are supplied for the 10 MHz clock reference input and output. The input is labeled 10 MHz IN, the output is labeled 10 MHz OUT; both are AC coupled with 50  $\Omega$  impedance.

The GPIB connector and 5-bit address switch is accessible from the rear panel. All GPIB devices on the same GPIB bus must have different addresses to function together. GPIB devices are programmed by referencing the address of the device, as well as the bus type. This is detailed in Section 5.

## 4.4 Power-on State

The power-on state of the N4963A is set after turning the rear power switch on. The unit comes on in local mode, and is controlled by the front panel. The internal TXCO is active after turn-on and generates a 10.0 MHz reference signal for the low frequency PLL. The power-defaults for the synthesizer are shown in Table 14. The user may now use the front panel controls to change the status of the unit or issue it commands through the GPIB port. Although the synthesizer is on, no clock signal is available from the output ports and the clock on LED is off. The clock output only becomes available when the Clock On button is pressed, at which time the clock on LED is lit.

Table 14. N4963A power-on state

| Setting       | Power on Value | Display       | Discription   |
|---------------|----------------|---------------|---|
| Local         | On             | Light         | Local push-button control (GPIB interface when light off) |
| Clock -> On   | Off            | Light         | Clock output indicator                                    |
| Ext 10MHz     | Off            | Light         | Reference path indicator                                  |
| Jitter Select | Jitter Off     | 3 lights      | Selects jitter input source                               |
| Unleveled     | Off            | Light         | Indicates output is un-calibrated                         |
| FREQ          | 5.000 GHz      | Displayed     | Synthesizer clock rate                                    |
| AMP           | 0.500 V        | Not Displayed | Channel output amplitudes: A1 - A4                        |
| DC OFFSET     | 0.000 V        | Not Displayed | Front panel DC offsets: O1 and O2                         |
| DELAY         | 90 Degrees     | Not Displayed | Channel 1 phase offset                                    |
| JITTER FREQ   | 100 kHz        | Not Displayed | Jitter modulation frequency                               |
| J 00.1ui      | 0.1 UI         | Not Displayed | Amount of internal injected jitter                        |
| Ext UI=16     | 16             | Not Displayed | External jitter scaling factor                            |
| PRE=008       | 8              | Not Displayed | Trigger output divider modulus                            |

| Setting  | Power on Value | Display       | Discription  |
|----------|----------------|---------------|--|
| N4963A   |                | Not Displayed | Unit model number  |
| SN #xxxx |                | Not Displayed | Unit serial number (only the last four digits of the serial number are shown on the front panel display) |
| Rev xxxx |                | Not Displayed | Firmware revision number   |

## 4.5 System Verification

When first using the N4963A, and before using the unit to test an external DUT, the user should first confirm that the synthesizer is generating a clock signal of the proper frequency and amplitude. The user should also check that the unit is responding properly to the front panel and GPIB commands. The following sections give examples of how the user may verify operation of the various functions using the front panel controls. This is also a good method for the new user to get familiar with the operation of the N4963A. While performing these experiments the user should refer back to Section 4.2.4, Configuration adjustment controls; and refer back to Sections 2.2 and 2.3, the front and rear panel quick reference guides. After getting familiar with the front panel controls, the user might wish to perform similar experiments using the N4980A multi-instrument software. This will assure that the box is communicating properly over GPIB.

### 4.5.1 Frequency and Output Amplitude

The easiest test to start with is to verify that the N4963A is generating the proper frequency and that the rear panel outputs have amplitude control. A simple experimental setup to test these functions is shown in Figure 12.

Here the rear panel outputs, CH3B and CH4B, are connected to the inputs of a sampling scope. The synthesizer trigger output is connected to the low frequency trigger input on the scope (max trigger rate is Clock frequency by 8). The complementary CH3B output is connected to the spectrum analyzer input. As we are not terminating the complementary output of CH4B it is very important to terminate this output with a 50  $\Omega$  load.

The N4963A may now be turned on. The unit will come up in local mode utilizing the internal 10 MHz reference. The display indicator is by default showing frequency and the default frequency is 5 GHz. No output is available at any of the output ports or the trigger port until the clock is turned on. Pressing the front panel Clock-On button will allow the outputs to start transmitting. The sampling scope should now be capable of triggering on the signals emanating from CH3B and CH4B ports. Further, the clock spectrum should now be visible on the spectrum analyzer.

The first test is to verify lock. The easiest way to do this is to span in on the signal peak on the spectrum analyzer. Span in until the sweep is about 100 kHz around the signal peak. The peak should remain stable at (within the ppm accuracy of the reference) and should not be wandering about the frequency indicated on the front panel display.

The user may wish to check and use an external 10 MHz Reference. This is accomplished by connecting the external reference source output to the 10 MHz In BNC on the rear panel. The external reference is activated by pressing the Ext 10 MHz button on the front panel. Using the above procedure the user should verify that the synthesizer output is now locked to the external reference. Again, the peak should remain stable at (within the ppm accuracy of the reference) and should not be wandering about the frequency indicated on the front panel display.

Readjust the spectrum analyzer start and stop frequencies to sweep from 0 Hz to 10 GHz. Using the Digit button, set the digit indicator (blinking LED) to the GHz digit. Now use the Value button to adjust the synthesizer frequency up or down in GHz increments. The user should also see the peak on the spectrum analyzer move smoothly to each new programmed frequency. Further, the period of the wave form on the scope should be appropriately changing.



The next test is to check the output amplitude control. With the frequency adjusted to some desired value, scroll the display menu to the position of amplitude adjustment, AMP. Use the Chan button to select the desired channel for amplitude adjustment. In this case select A3, for the amplitude adjustment of the signal on CH3. Use the Digit button to select the digit to increment, for this example select the 100 mV position. Then use the Value button to increment or decrement the output of CH3B. The user should verify that the peak-to-peak signal amplitude on the scope is changing to each new programmed value. By changing the channel to A4, the user should similarly be able to adjust the amplitude of the signal emanating from the CH4 ports. Please note that changing the amplitude A3, changes the amplitude on all the channel 3 ports (CH3A, CH3B and their respective complements). The same is true of changing the amplitudes, A1, A2, A3 or A4, on any of the respective channels. As the user is incrementing the signal level higher, the front panel Unleveled LED may light. This is an indication that the signal output is no longer calibrated to the front panel display value. The Unleveled LED will light when any of the channel outputs become un-calibrated in this manner.

In this example channels 3B and 4B were sent to the DCA, and CH3B complement as sent to the spectrum analyzer. However the experiment will work just as well with any permutation of the channels including the front panel channels.

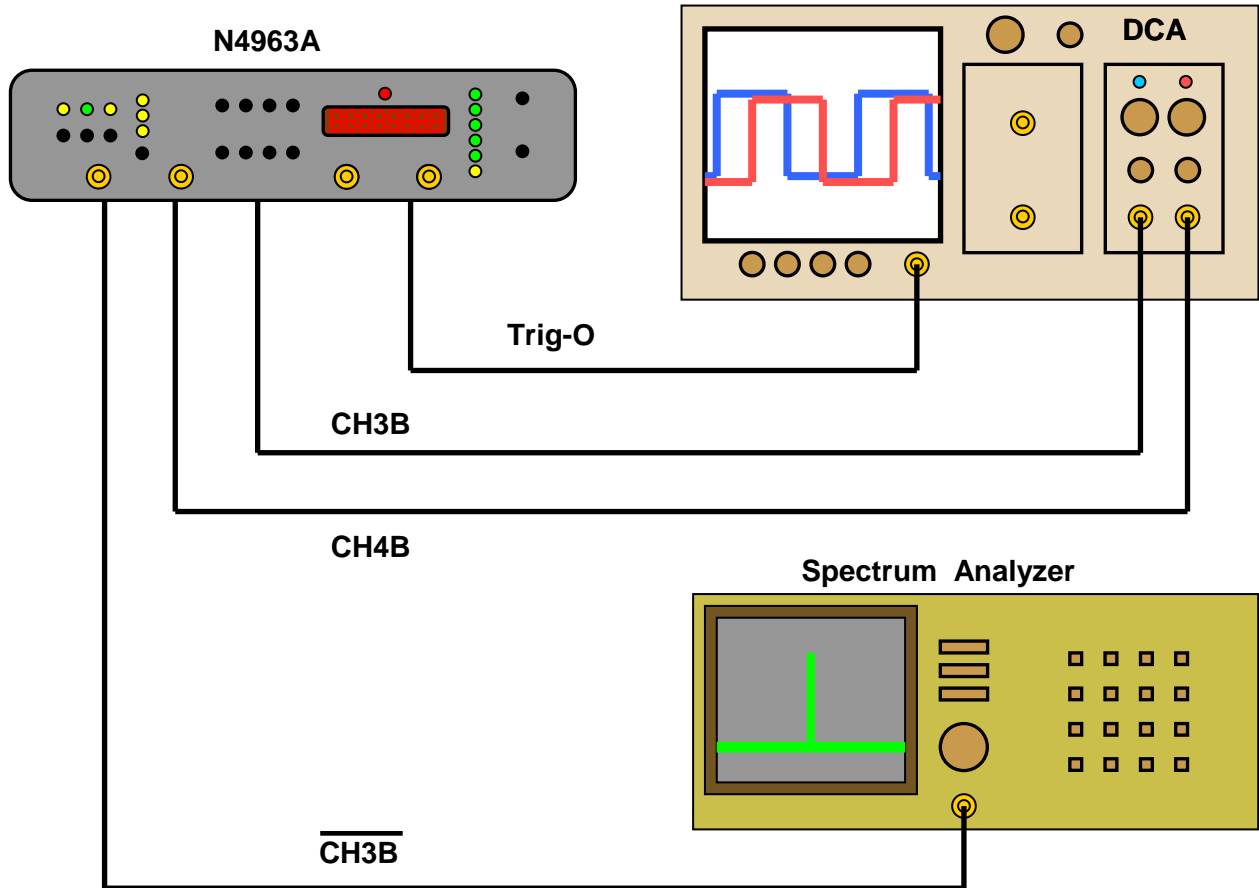


Figure 12. Frequency and output amplitude verification setup

#### 4.5.2 DC Offset and Phase Offset

The user should verify that the front panel amplitude adjustment control is working properly by following steps similar to those performed on the rear panel channels in the previous section. Note that the front panel output has considerably more range.

The front panel outputs have two parameter adjustments not available on the rear panel outputs. Channels 1 and 2 allow user programmable DC offset adjustments, and channel 1 has a programmable phase adjustment. The experimental set up for measuring DC offset and phase adjustment is shown in Figure 13. Here the Channel 1 and the Channel 2 complementary outputs are connected to the sampling scope. Remember to terminate, with 50  $\Omega$  terminations, the unused ports of channel 1 and 2. The trigger output is connected to the trigger input of the scope. Having verified frequency and amplitude control in the previous section, the user can set these parameters to any desired value.

The user should now scroll the display menu to the DC OFFSET position. Select channel 2, O2, for offset adjustment using the Chan button. The power-on default value is zero volts offset. Use the Digit button to select the desired digit to increment. Now use the Value button to change the offset. The channel 2 waveform on the scope should be dc level shifted with respect to the Channel 1 waveform. The measured DC offset should equal the programmed value. Try both positive and negative DC offsets. Return the Channel 2 offset to zero volts. Then use the Chan button to select channel 1, O1. Perform similar experiments adjusting the offset on channel 1 and note its DC level change with respect to the channel 2 signal on the scope. Return the channel 1 offset back to zero volts. Note that DC offset adjustment is only available for channels 1 and 2, O1 and O2 respectively.

Another experiment would be to look at only one channel. Here channel 1 and its complement would be connected to the sampling scope. Then apply a DC offset to channel 1 and observe the effects of the offset on the Channel 1 output signal relative to its complement signal. Be sure to reconnect the system as shown in [Figure 13](#) before performing the following delay experiment.

Now delaying the channel 1 signal relative to the other channels will be demonstrated. Scroll the display menu to the DELAY position. The delay is displayed in degrees of delay and only adjusts the delay of channel 1 with respect to the other channels. Using the Value button change the delay. As the delay is changed, the relative position of the Channel 1 signal on the scope will change with respect to the channel 2 signal. The Channel 2 signal will remain fixed. The maximum amount of phase adjustment is 358 degrees in 2 degree increments. The user may scroll through from -180 to +178 degrees or back and both the delay and display will roll over properly.

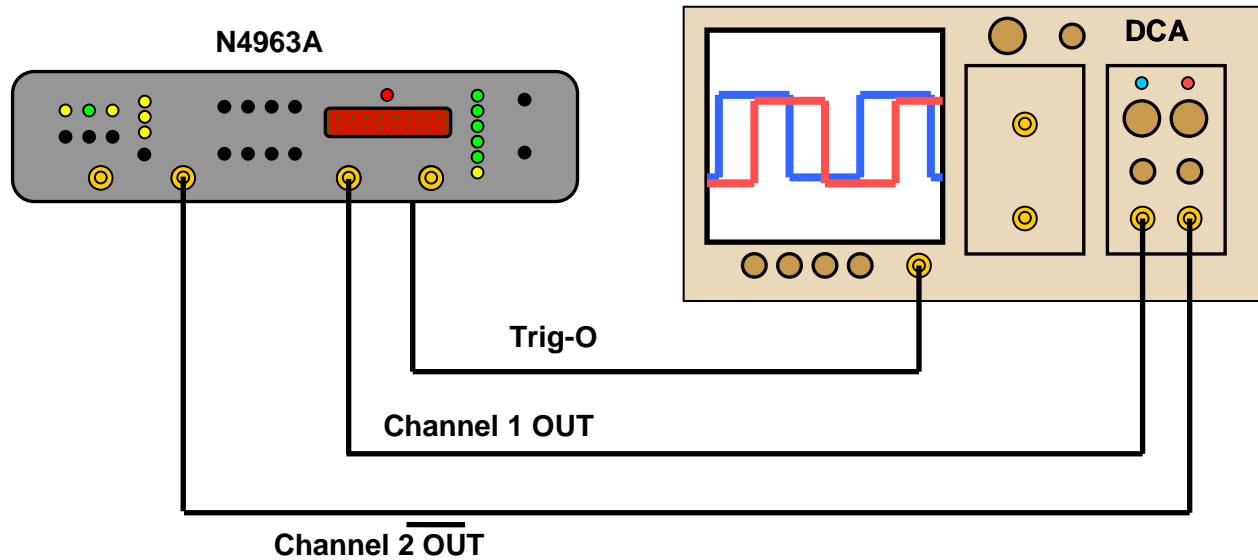


Figure 13. DC offset and phase offset verification setup

### 4.5.3 Internal Jitter Injection

The clock jitter modulation is available with Option-101. This option allows the user to dither the phase of the clock frequency by a user programmable amount of UI. The deviation rate is also programmable. Channels 2 and 4 (A and B) receive the jitter modulation. Channels 1 and 3 (A and B) remain an un-jittered reference. The user can select the source of modulation to be either internal or external. This section will describe generating and measuring a jittered clock using the internal modulation source. The concepts will be similar for the external modulation.

The internal modulation source operates to two bands or modes. The low frequency mode is from 1 Hz to 1 MHz. The high frequency mode is from 1 MHz to 100 MHz. The source of the modulating signal in the low frequency mode is from an FPGA look up table. The source for the high frequency mode is a DDS. In the low frequency mode multiple UI deviation is possible. In the high frequency mode the maximum deviation is 0.6 UI. For internal jitter the N4963A switches modes automatically depending on the user programmed jitter modulation frequency.

The experimental setup is shown in [Figure 14](#). Here the N4963A trigger output is connected to the scope trigger input. The channel 1 output is connected to the scope input and is used as a comparison reference. The jittered, complementary, Channel 2 output is connected to an external, programmable divider. The output of the divider is then connected to the sampling scope. Note, the divider must be capable of dividing at the highest clock rate (See the Keysight Technologies web page for compatible high frequency dividers). The jittered channel 2 output is connected to a spectrum analyzer.

The added divider allows the measurement of phase deviation in excess of one half UI. As the clock signal is phase modulated, its transition-edges dither back and forth about some equilibrium position. On a sampling scope these dithering transition-edges appear fuzzy or noisy. The ratio of, the time width of this edge noise to the clock period, is a measure of the phase deviation in UI. As there are 2 transition-edges per clock period it becomes impossible to measure a phase deviation of greater than half of a UI on an undivided clock signal. For deviations greater than half of a UI the signal looks completely noisy on a scope. Passing the signal through a divider does not change the time deviation of the divided clock edges, but it does extend the period of the divided signal. By increasing the divide modulus one can measure increasing numbers of UI. The maximum number of measurable UI is half the divide modulus (e.g. If the divide modulus is 4, a maximum of 2 UI can be measured on the scope). To properly see the signal on the scope, it is important that the N4963A programmable trigger divide modulus is greater than the modulus of the external divider.

After setting up the experimental configuration of [Figure 14](#), power-on the N4963A and press the Clock-On button. Use the Select button to select internal jitter, Int Jitter. Either bypass or set the divide modulus to 1 on the external divider. This allows direct measurement of the clock jitter and period. Scroll the display menu down to JITTER FREQ, the default power-on modulating frequency is 100 kHz. This is less than 1 MHz, therefore the unit is in the low frequency mode, and programming multiple UI deviation is possible. Scroll the display down till it displays "J 00.1ui". This indicates that the power-on phase deviation is 0.1 UI. If the user compares the clock output Channel 2, transition-edge noise with that of channel 1, this added 0.1 UI of deviation will make the jitter on channel 2 greater (the transition-edges appear thicker or noisier). Use the Value button to increase the UI deviation. As the UI is increased the jitter on the transition-edges will increase. Eventually the edge jitter width is great enough that the whole signal appears blurred. At this point the external divider modulus needs to be increased (and possibly the trigger divide modulus). The amount of phase deviation is calculated by measuring the time width of the jitter and dividing by the period of the undivided clock signal. Use the value button to increment the deviation and verify that the deviation measured on the scope is consistent with the displayed value (adjust the external and trigger divide modulus as necessary). The maximum UI deviation that the N4963A is capable of producing is a function of the modulating frequency, see [Figure 4](#).

Alternatively the phase deviation can be measured in the frequency domain. The deviation rate appears as side bands to the clock signal on the spectrum analyzer. Increase the deviation to several UI. Note the change in the sideband amplitudes on the spectrum analyzer. Scroll the display back to the JITTER FREQ. Now note that the sidebands are separated by the jitter frequency (100 kHz if the power-on default value is set). Increase and decrease the jitter frequency. The measured sideband separation should follow.

The user may increase the jitter frequency. First it will be noted that the maximum deviation that the N4963A can produce will decrease with increasing jitter frequency. When the programmed rate exceeds 2.4 MHz, the unit automatically switches to the high frequency mode of operation where the maximum deviation is limited to 0.6 UI. In the high frequency mode the user may measure both the Phase deviation and the deviation rate in the same manner as described above. Here the external divider modulus will never need be greater than 2, and the default trigger divide modulus of 8 will be fine.

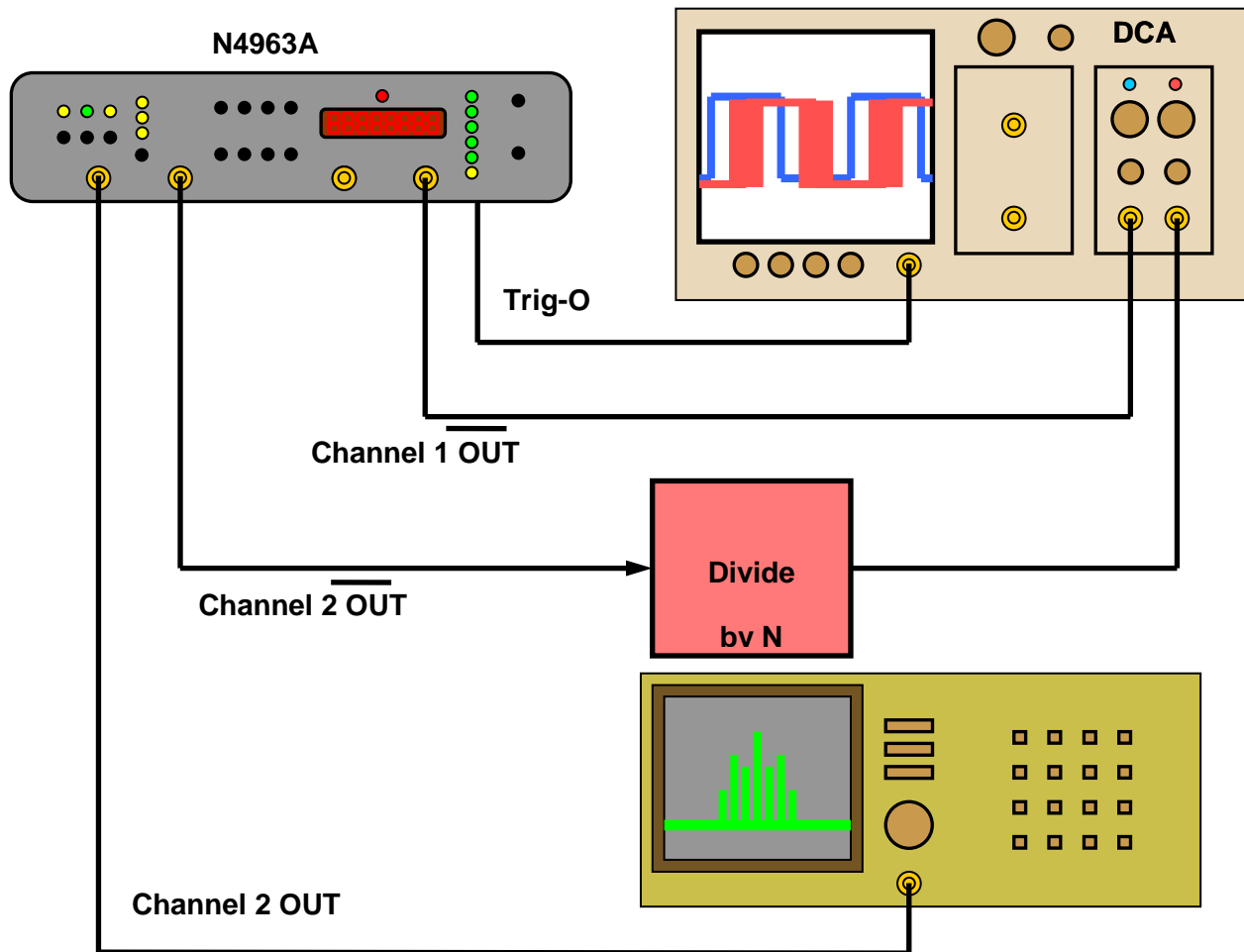


Figure 14. Internal jitter injection verification setup

Figure 15 illustrates a typical output, as measured on an Keysight 86100 DCA. Shown is the 2 GHz output from the front-panel reference (blue) and jittered (red) clock outputs. The jitter is applied internally at 100 kHz, 0.3 UI is injected in this case.

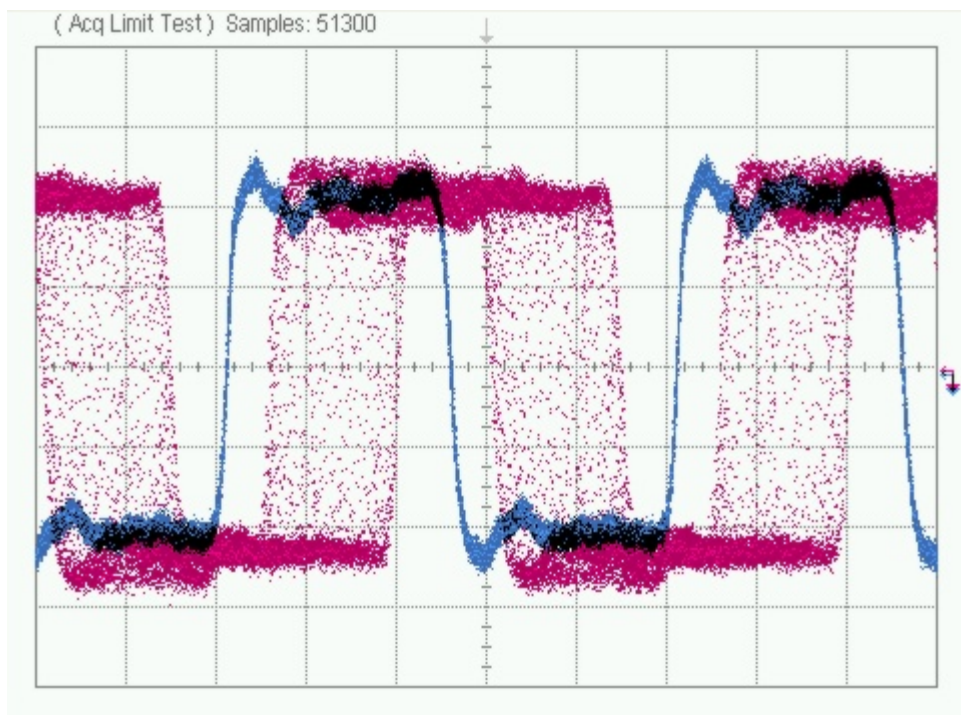


Figure 15. 2 GHz reference (blue) and 0.3UI @ 100 kHz jittered (red) clock outputs

#### 4.5.4 External Jitter Injection

The experimental set up shown in [Figure 16](#) is very similar to the setup shown in [Figure 14](#). New here, the output of a signal generator is applied to the external jitter input, Ext-Jitter. This source will be used to phase modulate the clock. The spectrum analyzer has been removed from the figure. However, all the comments made in the previous section about measuring phase deviation and deviation rate using the spectrum analyzer hold for this section as well.

The N4963A has two modes of operation when the jitter source is external. Like the case for internal modulation, there are low and high frequency modes. However, in this case the synthesizer does not know the frequency of the externally applied signal. It is up to the instrument operator to tell the unit in which mode to operate.



After setting up the experimental structure shown in [Figure 16](#), power-on the N4963A and press the Clock-On button. Use the Select button to select external jitter, Ext Jitter. Before turning the external source on make sure that its amplitude level is set at its minimum. The maximum allowable signal level on the external jitter input to the N4963A is 1 V pp. Set the source frequency to some desired jitter frequency. Start with 100 kHz to make a comparison with the results from the previous section. Set “Ext Low” by scrolling the display menu down to the JITTER FREQ item. Note that the jitter frequency display indicates either “Ext Low” for low frequency mode or “Ext Hi” for high frequency mode. The value button toggles the state. Make sure the unit is in low frequency mode. When using an external jitter source the amplitude of the external signal determines the phase deviation. In low frequency mode the synthesizer is capable of deviating the phase by multiple UI. The UI of phase deviation per volt of externally applied input signal is set by the external jitter scaling factor, ExtUI. Scroll the display menu down until “ExtUI=xx” is showing. Using the Value button set the parameter to 4. This tells the synthesizer that a 1 volt input should produce 4 UI of phase deviation.

Turn the external source on and adjust its output level for 1 Vpp (+4 dBm) this should produce 2 UI of deviation. To measure this, set the external divide modulus to 8. This will allow the scope to display a maximum phase deviation of 4 UI. Scroll the display to the trigger pre-scalar menu item, “PRE=xxx”. Using the value button, adjust the parameter to some value greater than 8, use 16 in this case. This will allow the scope to properly trigger on the divided clock. The channel 2 waveform, on the scope, should now show a clock edge transition with 2 UI of jitter. To verify this, measure the time width of the jittered edge and divide it by the period of the undivided clock. The result should be 2. Vary the amplitude of the applied signal, the result should be a changing transition-edge jitter width. Keep in mind not to exceed the external input maximum of 1 V pp. Reduce the jitter scaling factor from 4 to 2, and the jitter width should drop in half. This is because the UI deviation per applied volt scaling factor has been reduced but not the applied signal level. As with external jitter the maximum phase deviation that the synthesizer can produce decreases with increasing frequency, see [Figure 5](#).

With “Ext Hi,” the user can always operate the external jitter injection from DC to 100MHz but the maximum deviation is only 0.6 UI.

Switching between modes “Ext Low” and “Ext Hi” may produce a step discontinuity in the jitter deviation if ExtUI is not set to 01.

As in the previous section the user may verify that the jitter source frequency is indeed the phase dithering rate by using a spectrum analyzer. Measure the signal spectrum coming from any port for Channels 2 or 4. Observe the clock signal, sideband spacing is equal to the frequency of the external jitter source.

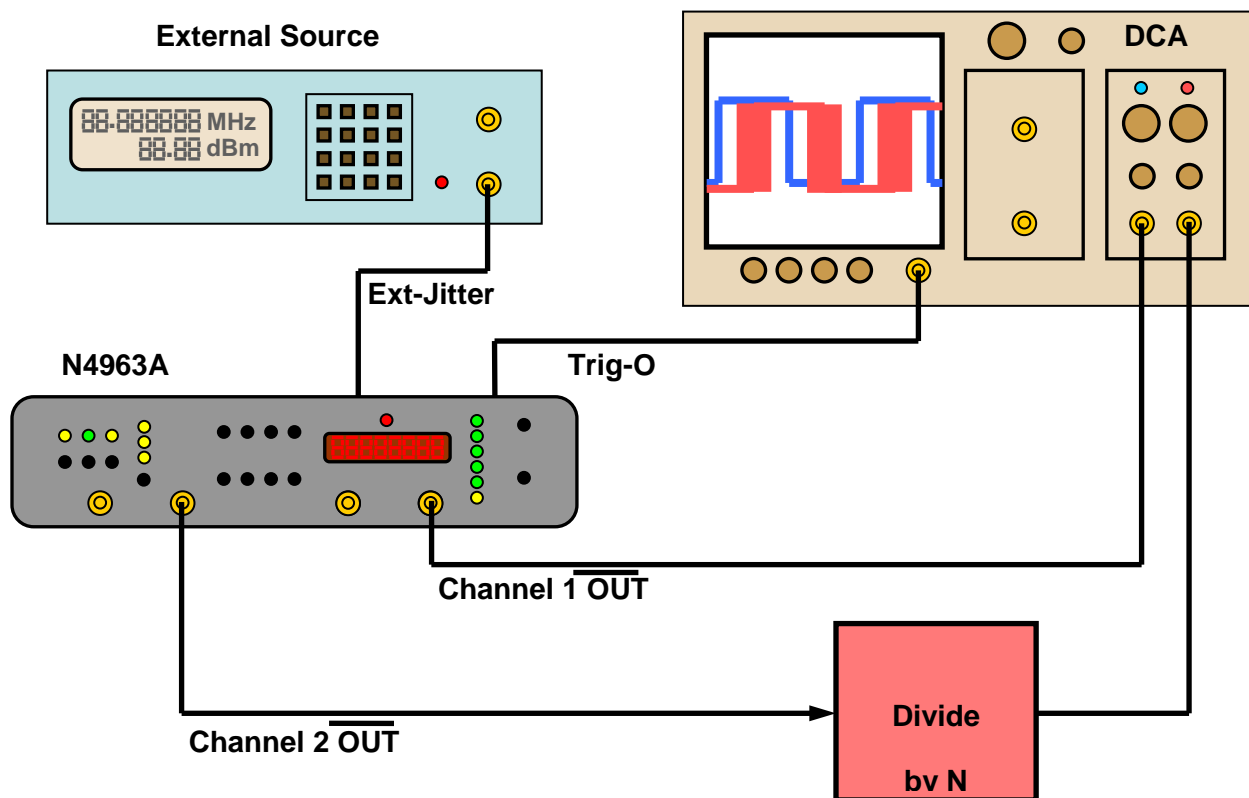


Figure 16. External jitter injection verification setup

## 4.6 Simple Functional Examples

In this section a couple of examples that utilize the N4963A as a clock source, as part of a simple measurement experiment, are given.

### 4.6.1 Generic Test Example

Generic experiment setup and description.

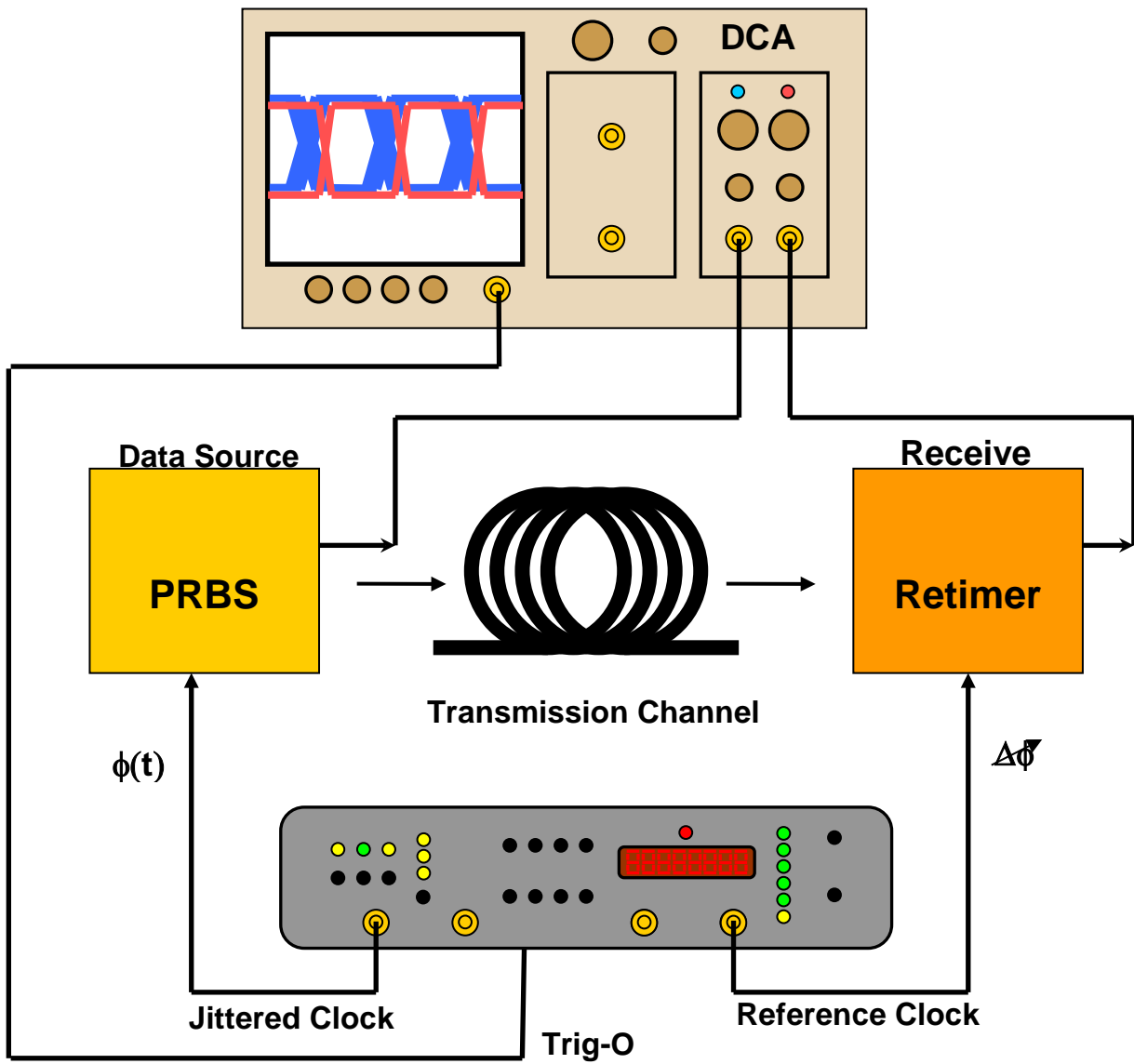


Figure 17. N4963A generic test example experimental setup

### 4.6.2 Example Using the N4963A to Control the N4962A

Experiment setup and description of N4963A controlling the BERT.

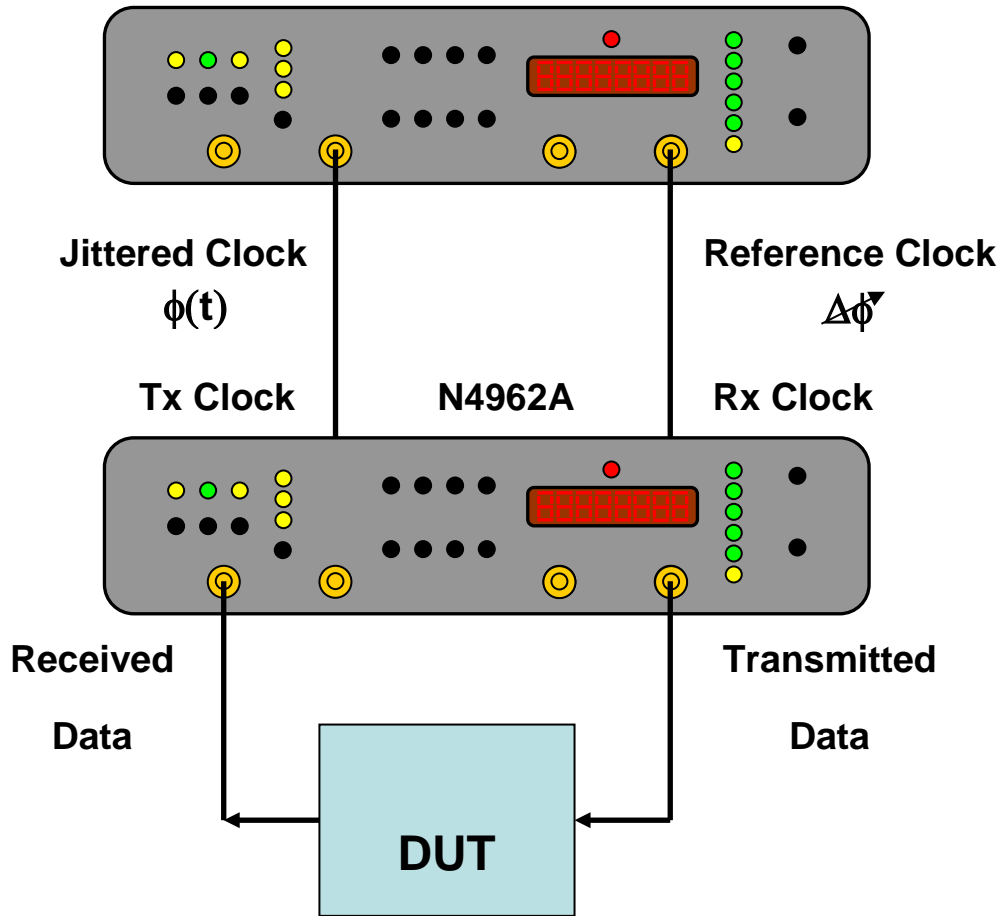


Figure 18. Experimental setup for N4962A clocked by the N4963A

# 5 Remote GPIB Interface

The N4963A can be controlled and queried with the rear-panel GPIB interface. The GPIB interface complies with IEEE standard 488.2-1992. To learn more about the GPIB interface, consult the following books from the IEEE:

- The International Institute of Electrical and Electronic Engineers. IEEE Standard 488.1-1987, IEEE Standard Digital Interface for Programmable Instrumentation. New York, NY, 1987.
- The International Institute of Electrical and Electronic Engineers. IEEE Standard 488.2-1987, IEEE Stand Codes, Formats, Protocols and Communication Commands for Use with ANSI/IEEE Std 488.1-1987. New York, NY, 1987.

A GPIB interface requires that all devices on a common bus have different addresses; the 5-bit address control switch is located on the back panel next to the GPIB connector, shown in [Figure 11](#). The factory default address is 725. The address uses a three digit format. The first digit is always set to “7”, and the last two digits are programmed by the 5 bit control switch located on the back of the instrument.

The N4980A multi-instrument software is available from Keysight Technologies for fast GPIB programming of the N4963A.

## 5.1 GPIB Capabilities

The GPIB interface capabilities are described in [Table 15](#).

Table 15. N4963A GPIB capabilities

| Mnemonic | Function  |
|----------|---|
| SH1      | Complete source handshake capability  |
| AH1      | Complete acceptor handshake capability  |
| T6       | Basic talker; serial poll; unaddressed to talk if addressed to listen; no talk only |
| L4       | Basic listener; unaddressed to listen if addressed to talk; no listen only          |
| SR1      | Complete service request capability   |
| RL2      | Remote/local capability with local lockout (LLO)                                    |
| PP0      | No parallel port capability   |
| DC1      | Device clear capability   |
| DT1      | Device trigger capability (accepted but ignored)                                    |
| C0       | No controller capability  |
| E2       | Tristate outputs (except the handshake line)  |

## 5.2 GPIB Command Syntax

The N4963A can be controlled through the GPIB interface using commands and queries. The commands and queries are documented in the Backus-Naur Form notation, detailed in [Table 16](#).

Table 16. N4963A GPIB command and query syntax

| Symbol | Meaning                                |
|--------|--|
| <>     | Defined element (eg: <arg>)            |
| ::=    | Is defined as (eg: <arg> ::= argument) |
|        | Exclusive OR                           |
| { }    | One of this group is required          |
| [ ]    | Optional item                          |
| ...    | Previous elements may be repeated      |

## 5.2.1 GPIB Command Syntax

The GPIB interface allows commands, which tell the instrument to take a specific action, and queries, which ask the instrument to return information.

Commands are composed of syntactic elements:

- Header – the command name; if it ends with a question mark, it is a query.
- Delimiter – a space, colon (:), comma (,), or semi-colon (;).
- Link – a command sub-function. Not all commands have links.
- Argument – a quantity, quality, or limit associated with the header or link.

Commands are case insensitive, although they are documented in an uppercase and lowercase manner that indicates which minimum characters are required to make the command. The commands can be shortened to the minimum length illustrated by the uppercase letters in the documentation.

- The command
  - :JITTer:FREQUency?
- Can be written in lowercase
  - :jitter:frequency?
- And it can be shortened
  - :jitt:freq?

## 5.3 IEEE Common Commands

The IEEE 488.2 standard has a list of reserved commands that must be implemented by all instruments using the standard. The N4963A implements all of the required commands, listed in [Table 17](#).

Table 17. N4963A IEEE common commands

| Command                | Function                                |
|------------------------|---|
| *CLS                   | Clear status command                    |
| *RST                   | Reset command                           |
| *WAI                   | Wait to continue **                     |
| *TRG?                  | Trigger **                              |
| *IDN?                  | Identification Query                    |
| *STB?                  | Status Byte Query                       |
| *TST?                  | Self Test Query **                      |
| *ESR?                  | Event Status Register Query             |
| *ESE                   | Event Status Enable Register Set **     |
| *ESE?                  | Event Status Enable Register Query **   |
| *OPC                   | Operation Complete clear flag           |
| *OPC?                  | Operation Complete Query                |
| *OPT?                  | Option Identification Query             |
| *SRE                   | Service Request Enable Set              |
| *SRE?                  | Service Request Enable Query            |
| *PSC                   | Power On Status Clear Flag Set **       |
| *PSC?                  | Power On Status Clear Flag Set Query ** |
| *STB?                  | Status Byte Query                       |
| IEEE optional commands |   |
| *SAV                   | Save **                                 |
| *RCL                   | Recall **                               |



## 5.4 SCPI Mandated Commands

The N4963A also conforms to the Standard Commands for Programmable Instrumentation (SCPI 1999.0) command set. Two SCPI mandated commands are implemented, listed in [Table 18](#).

Table 18. N4963A SCPI mandated commands

| Command          | Function  |
|------------------|---|
| :SYSTEM:ERROR?   | Returns event/error number and message from error queue |
| :SYSTEM:VERSION? | Returns SCPI protocol version number ("1999.0")         |

## 5.5 N4963A Device Commands

The N4963A device commands are summarized in [Table 19](#). The following descriptions and examples assume the user is programming with Keysight BASIC, a simple interpretative language that is convenient for instrument programming.

For the examples below, the device being programmed is located at GPIB device address 725. The actual address varies according to how you have configured the GPIB bus for your own application. For information to change the bus address see [Section 4.3](#).

Table 19. N4963A device commands

| Command        | Parameters/Results   |
|----------------|----------------------|
| :OUTPut        | {ON   OFF}           |
| :OUTPut?       |                      |
| :FREQuency     | value <unit>         |
| :FREQuency?    |                      |
| :SYSTem:ERRor? |                      |
| :AMPLitude     | Channel value <unit> |
| :AMPLitude?    | Channel              |
| :OFFSet        | Channel value <unit> |
| :OFFSet?       | Channel              |
| :ROSCillator   | {INT   EXT}          |
| :ROSCillator?  |                      |
| :PHASe         | value                |
| :PHASe?        |                      |
| :PREScaler     | value                |

| Command            | Parameters/Results            |
|--------------------|-------------------------------|
| :PREScaler?        |                               |
| :SOURce subsystem  |                               |
| :JITTer subsystem  |                               |
| :JITTer:SOURce     | { OFF   INTernal   EXTernal } |
| :JITTer:SOURce?    |                               |
| :JITTer:BAND       | { LOw   HIgh }                |
| :JITTer:BAND?      |                               |
| :JITTer:FREQuency  | value <unit>                  |
| :JITTer:FREQuency? |                               |
| :JITTer:AMPLitude  | value                         |
| :JITTer:AMPLitude? |                               |

## 5.6 SCPI Protocol Description

The N4963A supports a simple SCPI syntax. The SCPI commands are meant to be compatible with the Keysight ESG when possible. SCPI has an associated hierarchy with it. The top level is referred as the Root mode. SCPI remembers the current hierarchy so you don't need to repeat it for subsequent commands.

### 5.6.1 SCPI Example

#### :SYSTem:REMOte

:SYSTem is the root level  
:REMOte is the second level

The command :SYSTem would set the new default level to be the system commands. Now if the user issued a command :REMOte, it would put the system into remote mode. The capital letter in :SYSTem denote the required subset of mnemonic for correct state control. The lower case letters are optional but if they are used they must be spelled correctly.

The following conventions are used in the following summary:

**SYSTem** - indicates that the SYST characters are required and that the keyword may optionally appear as SYSTEM instead. No other spellings are valid.

**<unit>** - indicates that the unit placeholder is optional; it may or may not appear in the command.

**ON | OFF** - indicates a choice may be made between ON or OFF.

**{ ON | OFF }** - indicates that a choice must be made between ON or OFF; one or the other must appear in the command.

**Numeric** - the use of italics indicates that the term numeric is a placeholder in the command and is described elsewhere in the text for the command.

## 5.7 Command Summary

### 5.7.1 Root Subsystem

All of these commands can be called from the root level of the N4963A.

#### Command

:OUTPut

#### Description

Turn the clock output ON or OFF. The default is OFF.

#### Example

:OUTP on

---

#### Command

:OUTPut?

#### Description

Return the status of the clock output. The returned string is either ON or OFF.

#### Example

:OUTP?  
ON

---

### Command

:FREQuency numeric <unit>

### Description

Set the current requested clock rate in fundamental units (Hz). Optional units include Mhz, Ghz, Hz. If no unit is specified then Hz are assumed. Exponential or floating point inputs are accepted.

### Example

:FREQuency 12.5e9; causes the clock synthesizer to generate a 12.5 GHz signal.

:FREQuency 12.5 GHz; causes the clock synthesizer to generate a 12.5 GHz signal.

:FREQuency 12500 MHz; causes the clock synthesizer to generate a 12.5 GHz signal.

---

### Command

:FREQuency?

### Description

Query the current clock frequency. The result is returned in Hz.

---

### Command

:AMPLitude channel value <unit>

### Description

Set the specified channel amplitude to a given value. The channel output is specified as a single-ended voltage. The unit is Volts peak-to-peak. Optional <units> are V and mV.

The N4963A features four channels, 1, 2, 3, and 4. Channels 1 and 2 are the reference and jittered output channels on the front panel. Channels 3 and 4 each refer to two differential outputs on the back panel.

---

**Command**

:AMPLitude? channel

**Description**

Query the amplitude of the requested channel. The value is returned in Volts peak-to-peak.

---

**Command**

:OFFSet channel value <unit>

**Description**

Set the specified channel DC offset to the given value. The unit is DC Volts. The units which are supported are V, mV, or uV.

The reference and jittered outputs, channel 1 and channel 2, respectively, of the N4963A have DC offset control.

**Example**

All of the following examples are valid:

:OFFSet 1 500mV; // set channel 1 to 0.5 V

:OFFSet 1 0.5;

:OFFSet 1 500e-3;

---

**Command**

:OFFSet? channel

**Description**

Query the DC offset of the requested channel. The value is returned in Volts.

---

**Command**

:ROSCillator { INT | EXT }

**Description**

Set the input used for the 10 MHz reference oscillator to internal or external mode.

---

**Command**

:ROSCillator?

**Description**

Query the reference oscillator for the 10 MHz input. Valid response is INT, internal mode, or EXT, external mode.

---

**Command**

:PHASe value

**Description**

Set the phase offset of channel 1, relative to the other three channels, to a value in degrees.

---

**Command**

:PHASe?

**Description**

Query the phase offset of channel 1. Returns a value in degrees.

---

**Command**

:PREScaler value

**Description**

Set the programmable trigger prescaler to a value between 8 and 511. This sets the output rate of the trigger.

Trigger Frequency = Clock synthesizer 13.5 GHz Frequency / Prescaler value.

---

**Command**

:PREScaler?

**Description**

Query the value of the trigger prescaler. Returns a value between 8 and 511.

---

**5.7.2 :SOURce Subsystem**

For backward compatibility with the Keysight ESG (economy signal generator), all Keysight compatible root subsystem commands may be preceded with the SOURce subsystem.

For example, the output on/off command is:

**Command**

:SOURce:OUTPut ON | OFF

**The on/off Query**

:SOURce:OUTPut?

**Example**

|                      |   |
|----------------------|---|
| :SOURce:OUTPut ON    | Will turn the clock output on.            |
| :SOURce:OUTPut?      | Will find out if the output is on or off. |
| :SOURce:OUTPut OFF   | Will turn the clock output off.           |
| :SOURce:AMPLitude? 1 | Will return the amplitude of channel 1.   |
| :SOURCE:FREQuency?   | Will return the frequency.                |

---

### 5.7.3 JITTER Subsystem(N4963A 101)

The jitter subsystem requires option N4963A-101.

The jitter subsystem provides the jitter programming capabilities for the N4963A.

#### Command

```
:JITTer:SOURce { OFF | INTernal | EXTernal }
```

#### Description

Set the jitter of the N4963A. It is used to either turn the jitter off; or to set the jitter source to the internal source or to the external signal provided to the Jitter-In rear panel connector.

---

#### Command

```
:JITTer:SOURce?
```

#### Description

Query the jitter state of the N4963A. Returns values OFF, INT, or EXT.

---

#### Command

```
:JITTer:BAND { LOw | High }
```

#### Description

Set the jitter path of the N4963A when using external jitter inputs. Low band signals are digitized and scaled by the ExtUI=[1|2|4|8|16|32] parameter which determines the maximum UI available with a full scale input signal. High band signals pass thru analog signal processing blocks, are limited to a reduced max UI value and do not receive any additional signal scaling.

---



**Command**

```
:JITTer:BAND?
```

**Description**

Query the jitter band state of the N4963A when using an external jitter input. Returns values LOW or HIGH.

---

**Command**

```
:JITTer:FREQuency value <unit>
```

**Description**

Set the jitter frequency of the internal periodic jitter generator to a given value. The value is in fundamental units of Hertz. An optional unit of Hz, kHz, MHz may be specified.

**Example**

```
:JITTer:FREQuency 10.3kHz;  
:JITTer:FREQuency 10.3e3;
```

---

**Command**

```
:JITTer:FREQuency?
```

**Description**

Query the jitter frequency of the N4963A.

---

### Command

:JITTer:AMPLitude value

### Description

Set the jitter frequency of the internal periodic jitter generator to a given value in unit intervals UI. The value of the jitter is unitless and it will accept a floating point or scientific notation input.

The maximum input jitter versus jitter modulation frequency is given in [Table 8](#).

### Example

```
:JITTer:AMPLitude 1.2  
:JITTer:AMPLitude 12e-1;
```

---

### Command

:JITTer:AMPLitude?

### Description

Query the jitter amplitude of the N4963A.

---

## 5.8 IEEE Common Capabilities

This is a summary of the subset of IEEE standard GPIB commands that are implemented in the N4963A.

### Command

\*CLS

### Description

Clear Status, clears IO stack.

---

### Command

\*ESE?

### Description

Event Status Enable Query – not implemented.

---

### Command

\*IDN?

### Description

Returns the manufacturers name, model number, serial number and firmware revision as a string. The serial number format is country (2 characters), year (number of years after 1960), week number (2 digits), and sequence number (4 digits).

“AGILENT TECHNOLOGIES, N4963A, US52491234, Rev0040”

---

### Command

\*LRN?

### Description

Learn Query – not implemented.

---

**Command**

\*OPC?

**Description**

Operation Complete will return true when a timed measurement is complete or if a command to automatically set the phase completes – not implemented.

---

**Command**

\*OPT?

**Description**

Option Identification Query- returns the options in the instrument as a comma delimited string.

| Option           | Result         |
|------------------|----------------|
| None             | N4963A         |
| Jitter Injection | N4963A, OPT101 |

---

**Command**

\*PSC numeric

**Description**

Sets the value of the Power On Status Clear Flag. Controls the automatic clearing of the SRQ enable register see IEEE 488.2 Section [10.25](#). Not implemented.

---

**Command**

\*PSC?

**Description**

Returns value of PSC flag. Not implemented.

---

**Command**

\*RCL numeric

**Description**

Recall Stored Settings – not implemented.

**Command**

\*RST

**Description**

Resets the instrument to power on state.

**Command**

\*SAV numeric

**Description**

Save stored settings. Stores the current instrument state – not implemented.

**Command**

\*SRE numeric

**Description**

Service Request Enable – sets the status byte mask.

|           |     |                      |
|-----------|-----|----------------------|
| numeric = | 8   | QUES Status Summary  |
|           | 16  | Message Available    |
|           | 32  | Event Status Summary |
|           | 64  | Request Service      |
|           | 128 | OPER status summary  |

**Command**

\*SRE?

**Description**

Service Request Enable Query.

---

**Command**

\*STB?

**Description**

Status Byte Query – Returns the value of the status byte in numeric form.

---

**Command**

\*TRG

**Description**

Trigger – Not implemented.

---

**Command**

\*TRG?

**Description**

Trigger Query – not implemented.

---

**Command**

\*WAI

**Description**

Wait to Continue – not implemented.

---

**Command**

\*TST

**Description**

Initiate Self Test – not implemented.

---

**Command**

\*TST?

**Description**

Self Test Query – not implemented.

---





## 6 Returning the N4963A Clock Synthesizer to Keysight Technologies

If the N4963A clock synthesizer 13.5 GHz fails system verification and you cannot correct the problem, return it to Keysight Technologies for repair following the steps shown below.

1. Record all symptoms.
2. Contact Keysight Technologies using the “Request an RMA” form at <http://www.keysight.com/find/assist>.
3. Use the original packing material or comparable packing material to ship the instrument to Keysight Technologies.

Returning the N4963A Clock  
Synthesizer to Keysight Technologies



This information is subject to change without notice.  
© Copyright Keysight Technologies 2012-2014  
Edition 6.0, October 2014



N4963-91021

[www.keysight.com](http://www.keysight.com)