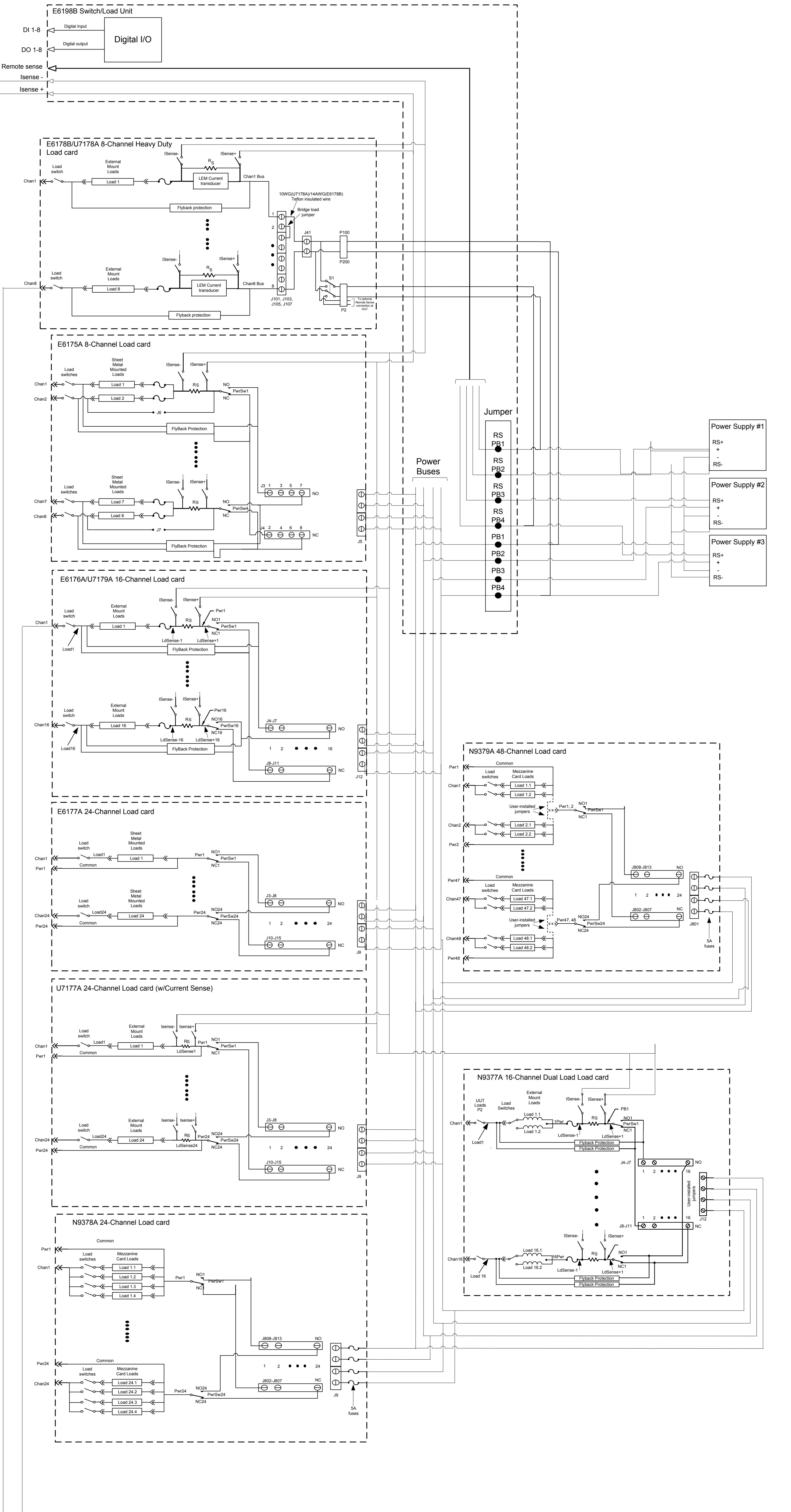
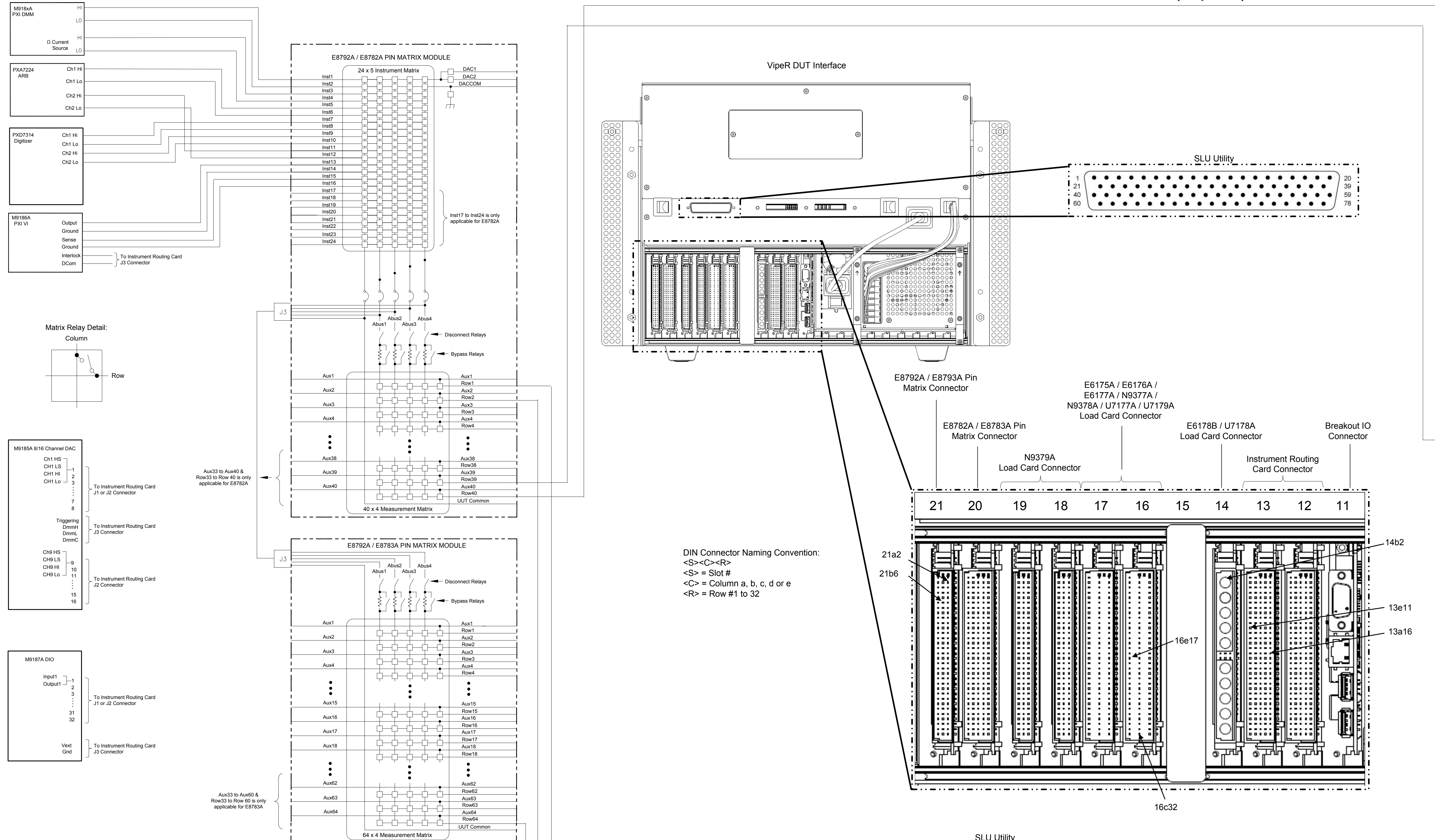


TS-8989 BLOCK DIAGRAM (Viper)



SLU Utility

Pin	Pin Reference	Pin	Pin Reference	Pin	Pin Reference
1	System Gnd	61	System Gnd	60	System Gnd
2	Feature ID (0)	22	Open Drain Out (0)	41	Digital In (0)
3	Feature ID (1)	23	Open Drain Out (1)	42	Digital In (1)
4	Feature ID (2)	24	Open Drain Out (2)	43	Digital In (2)
5	Feature ID (3)	25	Open Drain Out (3)	44	Digital In (3)
6	Feature ID (4)	26	Open Drain Out (4)	45	Digital In (4)
7	Feature ID (5)	27	Open Drain Out (5)	46	Digital In (5)
8	Feature ID (6)	28	Open Drain Out (6)	47	Digital In (6)
9	Feature ID (7)	29	Open Drain Out (7)	48	Digital In (7)
10	System Gnd	30	System Gnd	49	System Gnd
11	Sense+ (1)	31	Sense- (1)	50	Power Bus Sense 1
12	Sense+ (2)	32	Sense- (2)	51	Power Bus Sense 2
13	Sense+ (3)	33	Sense- (3)	52	Power Bus Sense 3
14	Sense+ (4)	34	Sense- (4)	53	Power Bus Sense 4
15	N/C	35	N/C	54	N/C
16	DAC1	36	DAC2	55	N/C
17	UUT Com	37	System Gnd	56	N/C
18	N/C	38	N/C	57	N/C
19	N/C	39	N/C	58	N/C
20	N/C	40	N/C	59	N/C



DAQ to E8792A/E8793A I2 Connector Wiring Table

Row	Pin	Pin Reference	System Gnd	Pin	Pin Reference
1	UUT Com	DAQ1.COM	System Gnd	DAQ1.AUX12	1
2	UUT Common	DAQ1.COM	System Gnd	DAQ1.AUX13	2
3	UUT Common	DAQ1.COM	System Gnd	DAQ1.AUX14	3
4	UUT Common	DAQ1.COM	System Gnd	DAQ1.AUX15	4
5	UUT Common	DAQ1.COM	System Gnd	DAQ1.AUX16	5
6	UUT Common	DAQ1.COM	System Gnd	DAQ1.AUX17	6
7	UUT Common	DAQ1.COM	System Gnd	DAQ1.AUX18	7
8	UUT Common	DAQ1.COM	System Gnd	DAQ1.AUX19	8
9	UUT Common	DAQ1.COM	System Gnd	DAQ1.AUX20	9
10	UUT Common	DAQ1.COM	System Gnd	DAQ1.AUX21	10
11	UUT Common	DAQ1.COM	System Gnd	DAQ1.AUX22	11
12	UUT Common	DAQ1.COM	System Gnd	DAQ1.AUX23	12
13	UUT Common	DAQ1.COM	System Gnd	DAQ1.AUX24	13
14	UUT Common	DAQ1.COM	System Gnd	DAQ1.AUX25	14
15	UUT Common	DAQ1.COM	System Gnd	DAQ1.AUX26	15
16	UUT Common	DAQ1.COM	System Gnd	DAQ1.AUX27	16
17	UUT Common	DAQ1.COM	System Gnd	DAQ1.AUX28	17
18	UUT Common	DAQ1.COM	System Gnd	DAQ1.AUX29	18
19	UUT Common	DAQ1.COM	System Gnd	DAQ1.AUX30	19
20	UUT Common	DAQ1.COM	System Gnd	DAQ1.AUX31	20
21	UUT Common	DAQ1.COM	System Gnd	DAQ1.AUX32	21
22	UUT Common	DAQ1.COM	System Gnd	DAQ1.AUX33	22
23	UUT Common	DAQ1.COM	System Gnd	DAQ1.AUX34	23
24	UUT Common	DAQ1.COM	System Gnd	DAQ1.AUX35	24
25	UUT Common	DAQ1.COM	System Gnd	DAQ1.AUX36	25
26	UUT Common	DAQ1.COM	System Gnd	DAQ1.AUX37	26
27	UUT Common	DAQ1.COM	System Gnd	DAQ1.AUX38	27
28	UUT Common	DAQ1.COM	System Gnd	DAQ1.AUX39	28
29	UUT Common	DAQ1.COM	System Gnd	DAQ1.AUX40	29
30	UUT Common	DAQ1.COM	System Gnd	DAQ1.AUX41	30
31	UUT Common	DAQ1.COM	System Gnd	DAQ1.AUX42	31
32	UUT Common	DAQ1.COM	System Gnd	DAQ1.AUX43	32

DAQ to E8782A/E8783A I2 Connector Wiring Table

Row	Pin	Pin Reference	System Gnd	Pin	Pin Reference
1	UUT Com	DAQ1.COM	System Gnd	DAQ1.AUX1	1
2	UUT Common	DAQ1.COM	System Gnd	DAQ1.AUX2	2
3	UUT Common	DAQ1.COM	System Gnd	DAQ1.AUX3	3
4	UUT Common	DAQ1.COM	System Gnd	DAQ1.AUX4	4
5	UUT Common	DAQ1.COM	System Gnd	DAQ1.AUX5	5
6	UUT Common	DAQ1.COM	System Gnd	DAQ1.AUX6	6
7	UUT Common	DAQ1.COM	System Gnd	DAQ1.AUX7	7
8	UUT Common	DAQ1.COM	System Gnd	DAQ1.AUX8	8
9	UUT Common	DAQ1.COM	System Gnd	DAQ1.AUX9	9
10	UUT Common	DAQ1.COM	System Gnd	DAQ1.AUX10	10
11	UUT Common	DAQ1.COM	System Gnd	DAQ1.AUX11	11
12	UUT Common	DAQ1.COM	System Gnd	DAQ1.AUX12	12
13	UUT Common	DAQ1.COM	System Gnd	DAQ1.AUX13	13
14	UUT Common	DAQ1.COM	System Gnd	DAQ1.AUX14	14
15	UUT Common	DAQ1.COM	System Gnd	DAQ1.AUX15	15
16	UUT Common	DAQ1.COM	System Gnd	DAQ1.AUX16	16
17	UUT Common	DAQ1.COM	System Gnd	DAQ1.AUX17	17
18	UUT Common	DAQ1.COM	System Gnd	DAQ1.AUX18	18
19	UUT Common	DAQ1.COM	System Gnd	DAQ1.AUX19	19
20	UUT Common	DAQ1.COM	System Gnd	DAQ1.AUX20	20
21	UUT Common	DAQ1.COM	System Gnd	DAQ1.AUX21	21
22	UUT Common	DAQ1.COM	System Gnd	DAQ1.AUX22	22
23	UUT Common	DAQ1.COM	System Gnd	DAQ1.AUX23	23
24	UUT Common	DAQ1.COM	System Gnd	DAQ1.AUX24	24
25	UUT Common	DAQ1.COM	System Gnd	DAQ1.AUX25	25
26	UUT Common	DAQ1.COM	System Gnd	DAQ1.AUX26	26
27	UUT Common	DAQ1.COM	System Gnd	DAQ1.AUX27	27
28	UUT Common	DAQ1.COM	System Gnd	DAQ1.AUX28	28
29	UUT Common	DAQ1.COM	System Gnd	DAQ1.AUX29	29
30	UUT Common	DAQ1.COM	System Gnd	DAQ1.AUX30	30
31	UUT Common	DAQ1.COM	System Gnd	DAQ1.AUX31	31
32	UUT Common	DAQ1.COM	System Gnd	DAQ1.AUX32	32

