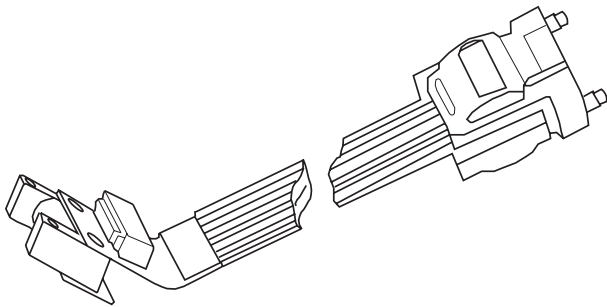




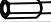


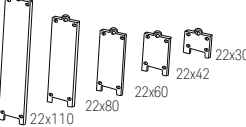
U4328A M.2 (M-key) Interposer

Quick Start Guide



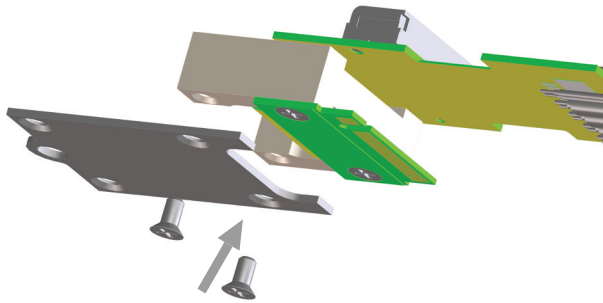
Interposer Cable Assembly

U4328A Contents

Part	Description	Qty
	M2x 0.4x4L Flat Head Screw	4
	M3x 0.5x2.5L Wafer Head Screw	4
	M3 Hex Standoff Male/Female	1
	4.5 Hex Driver	1
	Screw Driver, Phillips #1	1
	Mounting Base	1 each

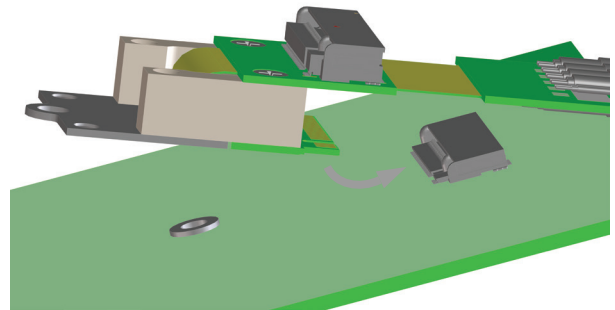
Above-mentioned parts are replaceable. You can order these as Replacement Parts Kit - U4328-68702.

1 Select the appropriate Mounting Base.

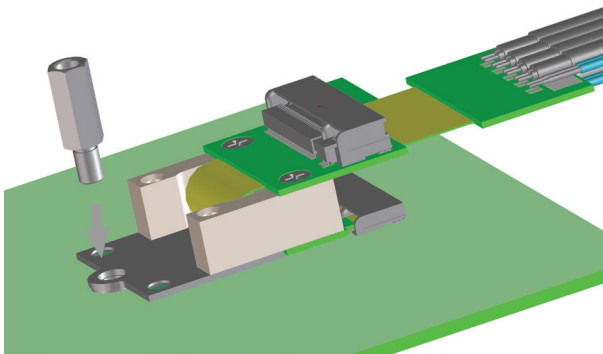


Install Mounting Base with two M2 Flat Head Screws.

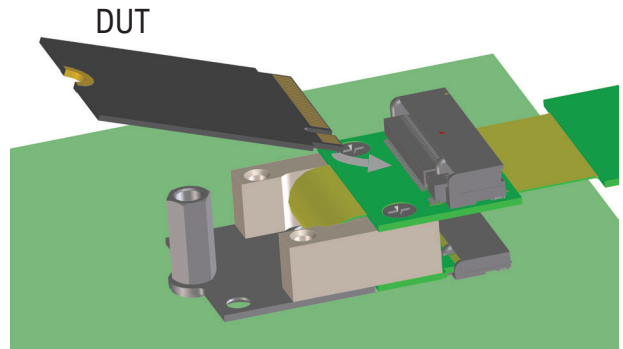
2 Install Cable Connector edge into Connector on System Board. Ensure that the installation angle is between 5-20 degrees.



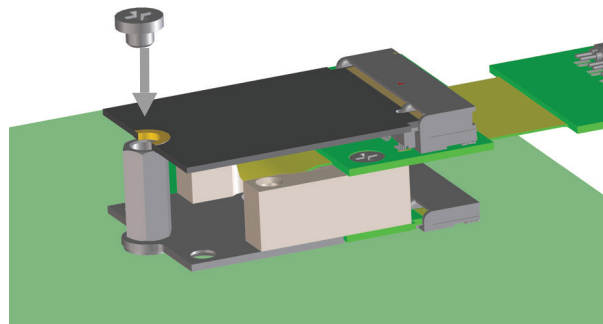
3 Attach Mounting Base with Hex Standoff.



4 Install DUT to Interposer Connector. Ensure that the installation angle is between 5-20 degrees.

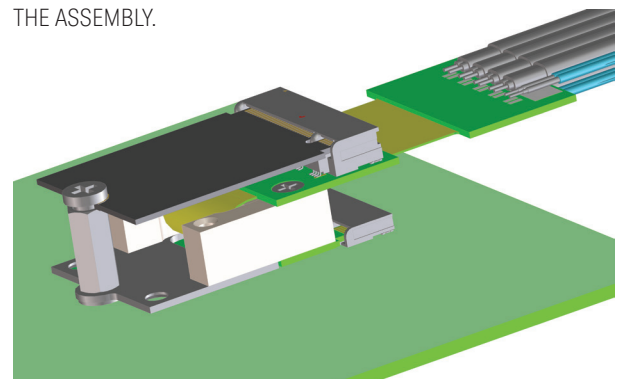


5 Attach DUT with M3 Wafer Head Screw.



The Interposer Assembly is complete.

FRAGILE! EXERCISE CARE WHILE BENDING AND FLEXING THE ASSEMBLY.



Detailed information on the U4328A Interposer is available at <http://www.keysight.com/find/U4301A>. On this webpage, click the **Document Library** link and download the **PCI Express Gen3 Hardware and Probing Guide**.