

Keysight Y1215B Flush Mount Rack Kit, Keysight Y1216A Recessed Mount Rack Kit Installation Note








This installation note contains procedures for installing either the Y1215B Flush Mount Rack Kit or the Y1216A Recessed Mount Rack Kit for the Keysight M9018A 18-slot PXIe Chassis in a Keysight rack. Both kits are similar; the difference being the length of the mounting brackets.

NOTE








These kits are designed for Keysight racks and the rear brackets may not fit a non-Keysight rack. A non-Keysight rack may require the use of support rails.

The parts included with the Y1215B and Y1216A are listed in the following tables (note that not all parts listed are available as field-replaceable parts).

Y1215B Flush Mount Kit

Part Number	Description	Quantity	
M9018-00107	Flush Mount Front Bracket	2	(See Figure 2)
M9018-00108	Rear Frame Bracket	2	(See Figure 2)
M9018-00209	Rear Bracket	2	(See Figure 2)
M9018-20101	Front Handle	2	(See Figure 2)
0590-0804	Channel Nuts, 10-32 x 0.5	8	
2680-0278	10-32 x 0.5 Pan Head T25 Torx Screws (Rear Frame Bracket to Mtg Bracket)	4	
0515-0386	M5 x 0.8 x 10 mm Pan Head T25 Torx Screws W/Washer	4	
0570-1577	10-32 Pan Head Dress Screws for Rack Flanges (painted to match the brackets)	4	
0515-5828	M4 x 0.7 x 10mm Phillips Flat Head Screws w Patch Lock (8 on brackets, 4 on handle)	12	
0515-5827	M5 x 0.8 x 8mm Phillips Flat Head Screws w/Patch Lock	4	
8710-2727	Offset Screwdriver	1	

Y1216A Recessed Mount Kit

Part Number	Description	Quantity	
M9018-00204	Recessed Mount Front Bracket	2	(See Figure 2)
M9018-00108	Rear Frame Bracket	2	(See Figure 2)
M9018-00205	Recessed Rear Bracket	2	(See Figure 2)
M9018-20101	Front Handle	2	(See Figure 2)
0590-0804	Channel Nuts, 10-32 x 0.5 (4 for support rail-to-rack, 4 for rack flanges)	8	
2680-0278	10-32 x 0.5 Pan Head T25 Torx Screws (Rear Frame Bracket to Mtg Bracket)	4	
0515-0386	M5 x 0.8 x 10 mm Pan Head T25 Torx Screws W/Washer	4	
0570-1577	10-32 Pan Head Dress Screws for Rack Flanges (painted to match the brackets)	4	
0515-5828	M4 x 0.7 x 10mm Phillips Flat Head Screws w/Patch Lock (8 on brackets, 4 on handle)	12	
0515-5827	M5 x 0.8 x 8mm Phillips Flat Head Screws w/Patch Lock	4	
8710-2727	Offset Screwdriver	1	

General Rack Mounting Guidelines

In rack mounting the chassis, follow these guidelines:

- Always begin installing the chassis and heavy instruments at the bottom of the rack and work up. This maintains a lower center of gravity and reduces the possibility of the rack tipping.
- Anti-tipping feet, if available with the rack, should always be extended.
- The heaviest instrument or chassis should always be mounted at the bottom of the rack.
- For maximum cooling and optimum rack thermal efficiency, place the instrument or chassis with the greatest power consumption towards the top of the rack. This promotes efficient cooling since heat rises when placed nearer to the top of the rack, high power instruments will not unnecessarily heat other instruments. However, in doing this, do not violate the guideline that the heaviest instruments should be placed at the bottom of the rack.
- If instruments or modules in the chassis are consuming maximum power, 1U of rack space is required for ventilation below the M9018A chassis.

WARNING

To prevent injury during rack mounting, the chassis should be empty and two people should lift it into the rack.

Procedure

Tools Required: #1 and #2 Phillips screwdriver, T25 Torx driver, Offset Screwdriver (supplied with rack mount kit)

- 1 Refer to [Figure 1](#). Remove the side handles and handle covers from both sides of the M9018A PXIe chassis.

CAUTION

Do not stand the chassis on its side; the side handles may cause the chassis to tip over.

- 2 On M9018A chassis with serial number TW54XXXXX and later, two additional screws must be removed (one on each side of the chassis). Refer to [Figure 1](#). Note that earlier chassis did not have these screws.
- 3 Remove the four chassis feet by pulling out the small rubber insert on each foot and then removing the Phillips screw that attaches the foot to the chassis. See [Figure 1](#).

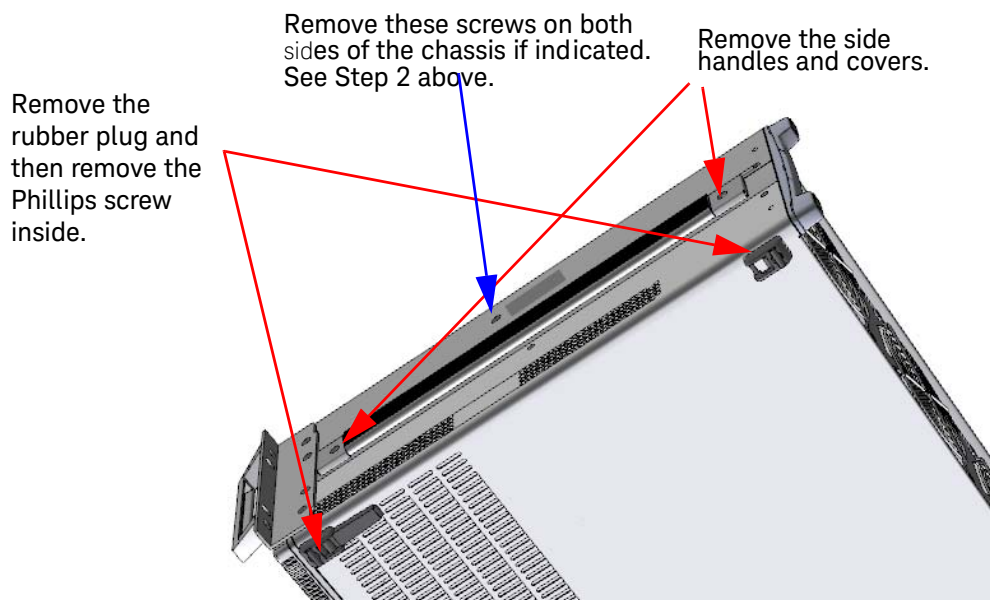


Figure 1 Removing the chassis feet, side handles, and shipping screws

- 4 Attach the Rear Frame Brackets to the Rear Mounting Brackets. See [Figure 2](#).
- 5 If you are using handles, attach the front handles to the Front Mounting Brackets. See [Figure 2](#).

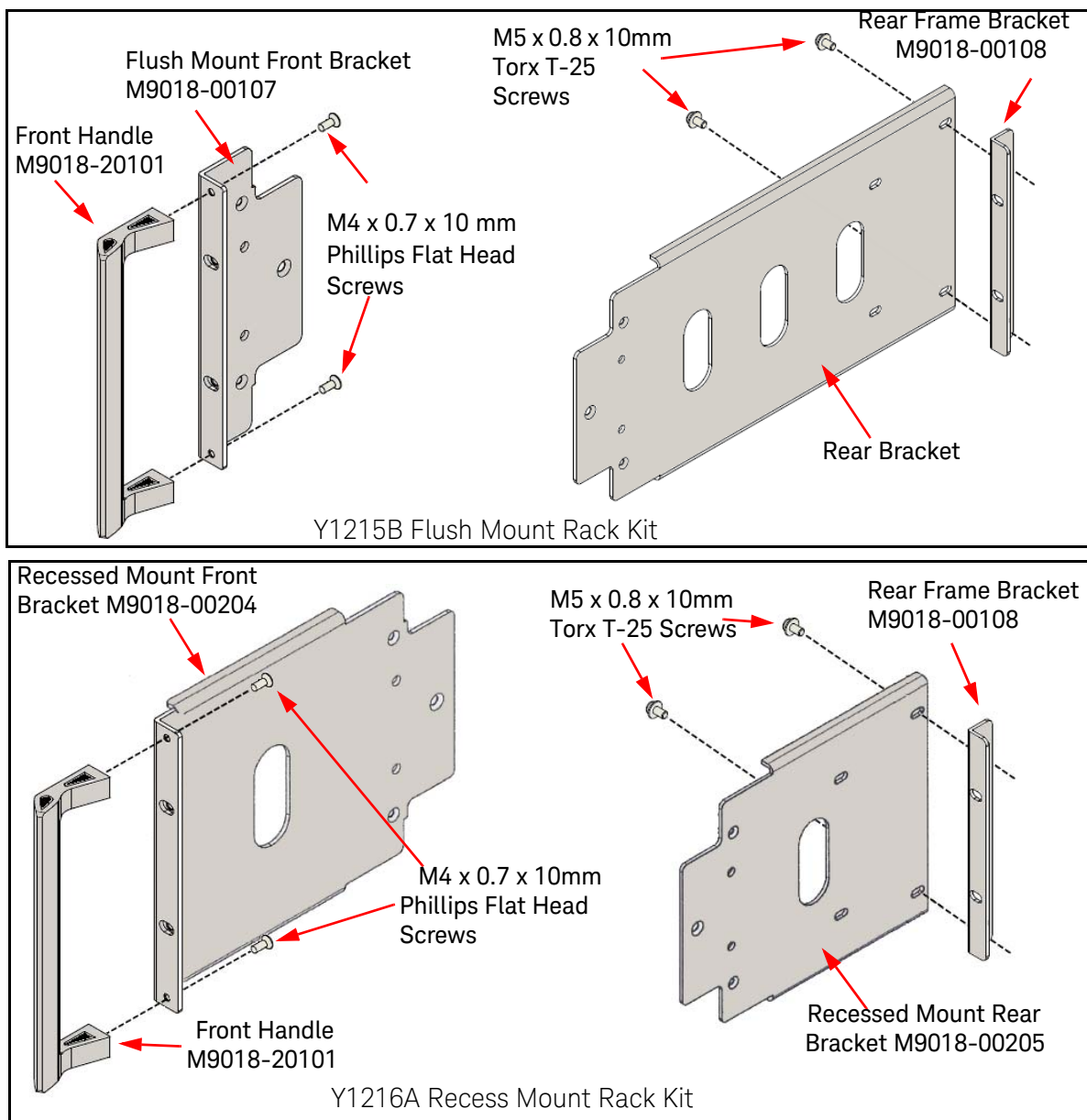


Figure 2 Attaching the Front Handles and Rear Frame Brackets to Rack Mounting Brackets (right side brackets shown)

- 6** Using the front and rear brackets as templates, position the brackets on the rack's vertical columns where the chassis is to be mounted. Do this for both the front and rear brackets on both sides of the rack. Align the bracket holes over the "center" holes of the rack units. Slide channel nuts over the rack holes to be used by the rack mount flanges. See [Figure 3](#) below and [Figure 6](#) on page 8.

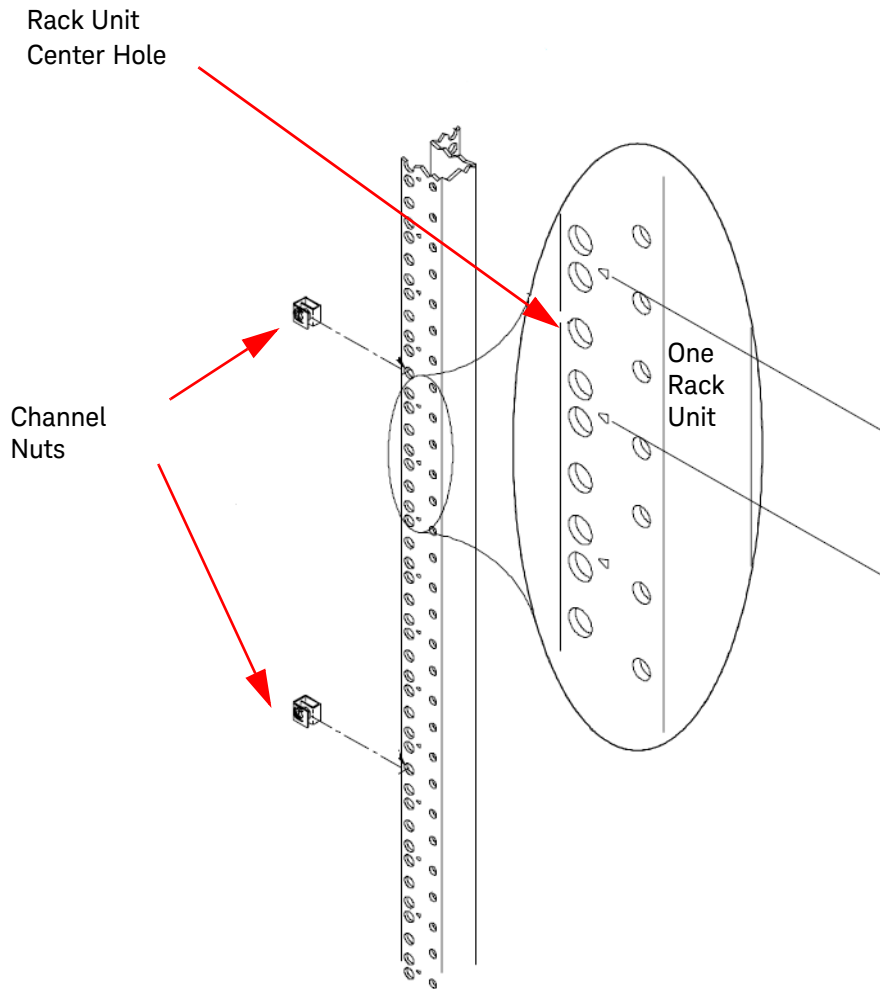


Figure 3 Center Holes of Rack, Attaching Channel Nuts

- 7 Attach the front and rear mounting bracket assemblies to the chassis. Refer to [Figure 4](#).

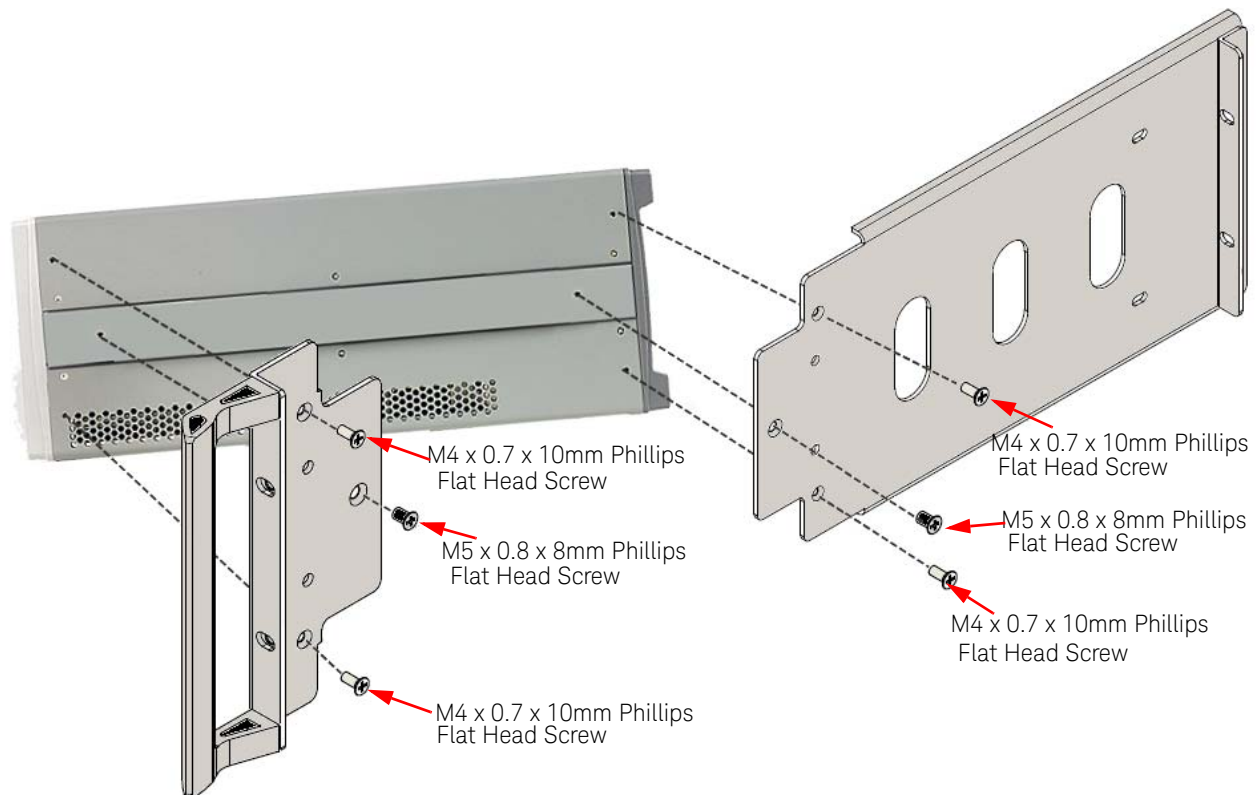


Figure 4 Mounting the front and rear brackets to the M9018A chassis (Right side shown)

- 8** If you are using the Y1217A Rack Mount Rail Kit (this may be required for non-Keysight racks), position the rails on the rack's vertical columns where the chassis is to be mounted. Remember that the rails must be installed **upside down** to not interfere with the M9018A chassis cooling vents. Align the adapter holes over the "center" holes of the rack units. See [Figure 5](#) and [Figure 6](#).
- 9** Slide channel nuts over the rack holes to be used by the support rails.

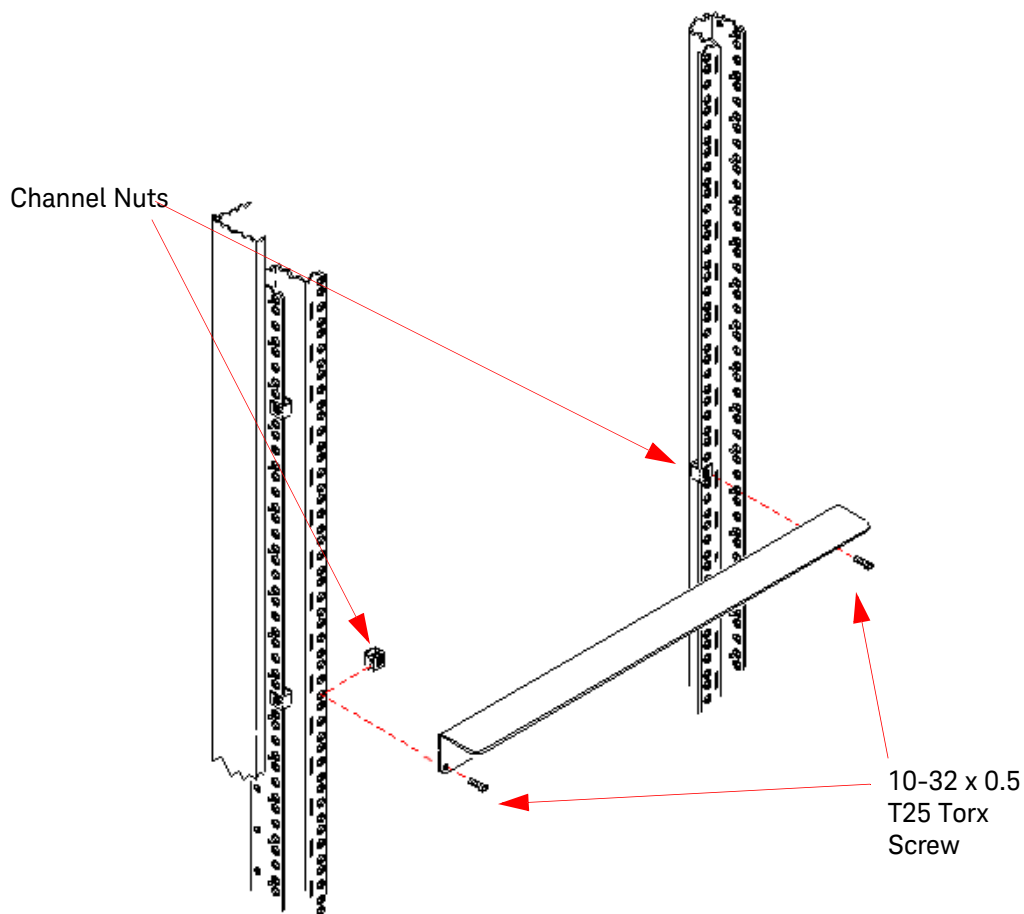


Figure 5 Attaching the Support Rails to the Rack

10 Set the M9018A chassis onto the support rails.

WARNING

To prevent injury during rack mounting, the chassis should be empty and two people should lift it into the rack.

11 Slide the M9018A chassis into the rack until the rack mount Front Brackets and the Rear Frame Brackets are against the rack’s front and rear (respectively) vertical columns. Secure the chassis to the rack using the offset screwdriver and dress screws (Front Bracket) and 10-32 x 0.5 Pan Head Torx screws (Rear Bracket).

NOTE

If the rack will be moved excessively or over long distances, you should use support rails and a strap to secure the chassis to the rack slides.

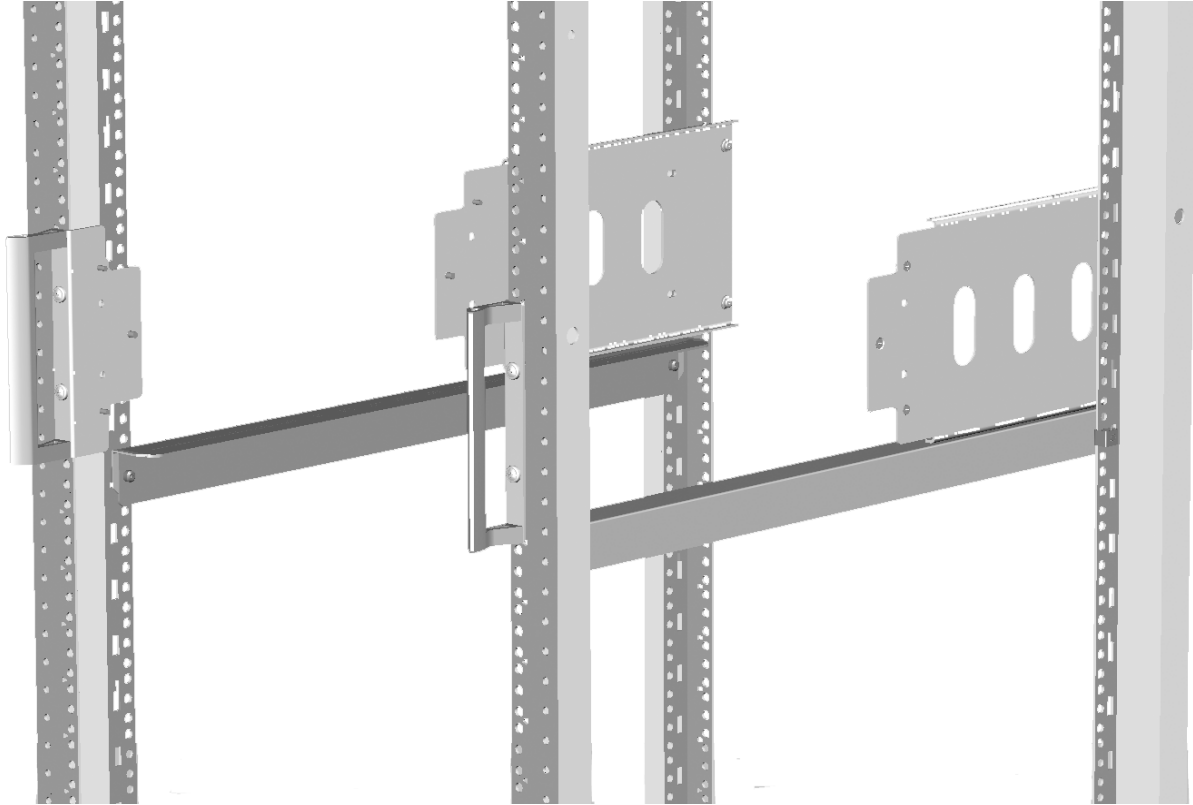


Figure 6 Y1215B Flush Mount and Y1217A Rail Kits installed on a rack
(rack sides and M9018A are not shown)

