



*An Aeroflex Company*

# COM-120C Communications Service Monitor **Maintenance Manual** Supplement

**1002-0601-4P0**

# **MAINTENANCE MANUAL SUPPLEMENT**

## **COMMUNICATIONS SERVICE MONITOR**

### **COM-120C**

PUBLISHED BY  
IFR

**COPYRIGHT © IFR 2003**

All rights reserved. No part of this publication may be reproduced, stored in a retrieval system, or transmitted in any form or by any means, electronic, mechanical, photocopying, recording or otherwise without the prior permission of the publisher.

# **WARNING:**

## **HIGH VOLTAGE EQUIPMENT**

**THIS EQUIPMENT CONTAINS CERTAIN CIRCUITS AND/OR COMPONENTS OF EXTREMELY HIGH VOLTAGE POTENTIALS, CAPABLE OF CAUSING SERIOUS BODILY INJURY OR DEATH. WHEN PERFORMING ANY OF THE PROCEDURES CONTAINED IN THIS MANUAL, HEED ALL APPLICABLE SAFETY PRECAUTIONS.**

### **SAFETY FIRST: TO ALL SERVICE PERSONNEL**

**REFER ALL SERVICING OF UNIT TO QUALIFIED TECHNICAL PERSONNEL.**

#### **CASE, COVER OR PANEL REMOVAL**

Removing protective covers, casings or panels from this unit exposes the technician to electrical hazards that can result in electrical shock or equipment damage.

#### **SAFETY IDENTIFICATION IN TECHNICAL MANUAL**

This manual uses the following terms to draw attention to possible safety hazards, that may exist when operating or servicing this equipment.

**CAUTION:** THIS TERM IDENTIFIES CONDITIONS OR ACTIVITIES THAT, IF IGNORED, CAN RESULT IN EQUIPMENT OR PROPERTY DAMAGE (e.g., FIRE).

**WARNING:** THIS TERM IDENTIFIES CONDITIONS OR ACTIVITIES THAT, IF IGNORED, CAN RESULT IN PERSONAL INJURY OR DEATH.

#### **SAFETY SYMBOLS IN MANUALS AND ON UNITS**



**CAUTION:** Refer to accompanying documents.



**AC TERMINAL:** Terminal that may supply or be supplied with ac or alternating voltage.



**SWITCH OFF:** AC line power to the device is OFF.



**SWITCH ON:** AC line power to the device is ON.



**DANGEROUS VOLTAGE:** Indicates electrical shock hazard due to high voltage levels.

#### **EQUIPMENT GROUNDING PRECAUTION**

Improper grounding of equipment can result in electrical shock.

#### **USE OF PROBES**

Check the specifications for the maximum voltage, current and power ratings of any connector on the unit before connecting it with a probe from a terminal device. Be sure the terminal device performs within these specifications before using it for measurement, to prevent electrical shock or damage to the equipment.

#### **POWER CORDS**

Power cords must not be frayed or broken nor expose bare wiring when operating this equipment.

#### **USE RECOMMENDED FUSES ONLY**

Use only fuses specifically recommended for the equipment at the specified current and voltage ratings.

**CAUTION:** INTEGRATED CIRCUITS AND SOLID STATE DEVICES SUCH AS MOS FETS, ESPECIALLY CMOS TYPES, ARE SUSCEPTIBLE TO DAMAGE BY ELECTROSTATIC DISCHARGES RECEIVED FROM IMPROPER HANDLING, THE USE OF UNGROUNDED TOOLS AND IMPROPER STORAGE AND PACKAGING. ANY MAINTENANCE TO THIS UNIT MUST BE PERFORMED WITH THE FOLLOWING PRECAUTIONS:

- BEFORE USE IN A CIRCUIT, KEEP ALL LEADS SHORTED TOGETHER EITHER BY THE USE OF VENDOR-SUPPLIED SHORTING SPRINGS OR BY INSERTING LEADS INTO A CONDUCTIVE MATERIAL.
- WHEN REMOVING DEVICES FROM THEIR CONTAINERS, GROUND THE HAND BEING USED WITH A CONDUCTIVE WRISTBAND.
- TIPS OF SOLDERING IRONS AND/OR ANY TOOLS USED MUST BE GROUNDED.
- DEVICES MUST NEVER BE INSERTED INTO NOR REMOVED FROM CIRCUITS WITH POWER ON.
- PC BOARDS, WHEN TAKEN OUT OF THE SET, MUST BE LAID ON A GROUNDED CONDUCTIVE MAT OR STORED IN A CONDUCTIVE STORAGE BAG. REMOVE ANY BUILT-IN POWER SOURCE, SUCH AS A BATTERY, BEFORE LAYING PC BOARDS ON A CONDUCTIVE MAT OR STORING IN A CONDUCTIVE BAG.
- PC BOARDS, IF BEING SHIPPED TO THE FACTORY FOR REPAIR, MUST BE PACKAGED IN A CONDUCTIVE BAG AND PLACED IN A WELL-CUSHIONED SHIPPING CONTAINER.



**CAUTION:** SIGNAL GENERATORS CAN BE A SOURCE OF ELECTROMAGNETIC INTERFERENCE (EMI) TO COMMUNICATION RECEIVERS. SOME TRANSMITTED SIGNALS CAN CAUSE DISRUPTION AND INTERFERENCE TO COMMUNICATION SERVICES OUT TO A DISTANCE OF SEVERAL MILES. USERS OF THIS EQUIPMENT SHOULD SCRUTINIZE ANY OPERATION THAT RESULTS IN RADIATION OF A SIGNAL (DIRECTLY OR INDIRECTLY) AND SHOULD TAKE NECESSARY PRECAUTIONS TO AVOID POTENTIAL COMMUNICATION INTERFERENCE PROBLEMS.

**CAUTION:** KEEP ALL VENT OPENINGS CLEAR AND UNOBSTRUCTED FOR PROPER EQUIPMENT COOLING AND CONTINUED RELIABILITY. DO NOT OPERATE EQUIPMENT IN THE VERTICAL POSITION ON PULS CARPET OR UPHOLSTERY TO AVOID IMPAIRING THE AIR EXHAUST. WHEN OPERATING THE TEST SET IN THE NORMAL HORIZONTAL OR TILT BAIL POSITION, MAINTAIN AT LEAST 1.6 INCHES (FOUR CENTIMETERS) OF CLEARANCE BETWEEN THE EQUIPMENT REAR EXHAUST FAN SCREEN AND OBJECTS OR WALLS.

# PREFACE

## SCOPE

This Maintenance Manual Supplement, containing maintenance information for the COM-120C, is intended to be used in conjunction with the COM-120B Maintenance Manual.

## ORGANIZATION

The COM-120C Maintenance Manual Supplement is composed of the following:

Paragraph	Title	Page
<b>SECTION 1 - DRAWINGS</b>		
	System Block Diagram.....	1-3
	Composite Assembly .....	1-6
	System Interconnect Diagram.....	1-13
	Front Panel Assembly .....	1-16
	Front Panel Assembly Interconnect Diagram.....	1-19
<b>SECTION 2 - PARTS LIST</b>		
	Composite Assembly .....	2-1

THIS PAGE INTENTIONALLY LEFT BLANK.

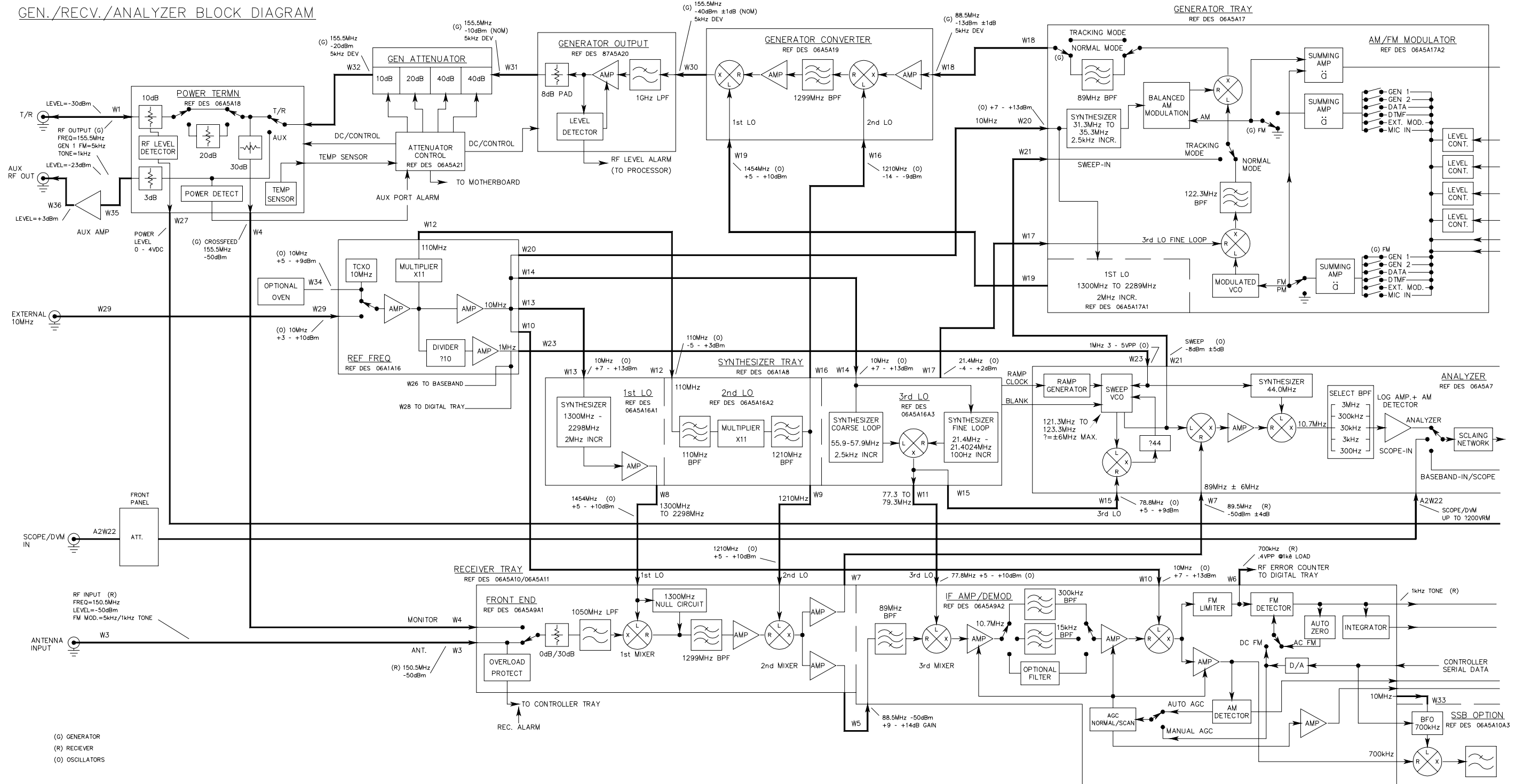
# SECTION 1 – DRAWINGS

FIGURE	TITLE	PAGE
1-1	COM-120C System Block Diagram	1-3
1-2	Composite Assembly (7003-0647-200)	1-6
1-3	System Interconnect Diagram (0000-0647-200)	1-13
1-4	Front Panel Assembly (7005-0647-100)	1-16
1-5	Front Panel Assembly System Interconnect Diagram (0000-0647-100)	1-18

THIS PAGE INTENTIONALLY LEFT BLANK.



GEN./RECV./ANALYZER BLOCK DIAGRAM



006C-001

Figure 1-1 COM-120C System Block Diagram (Sheet 1 of 3)

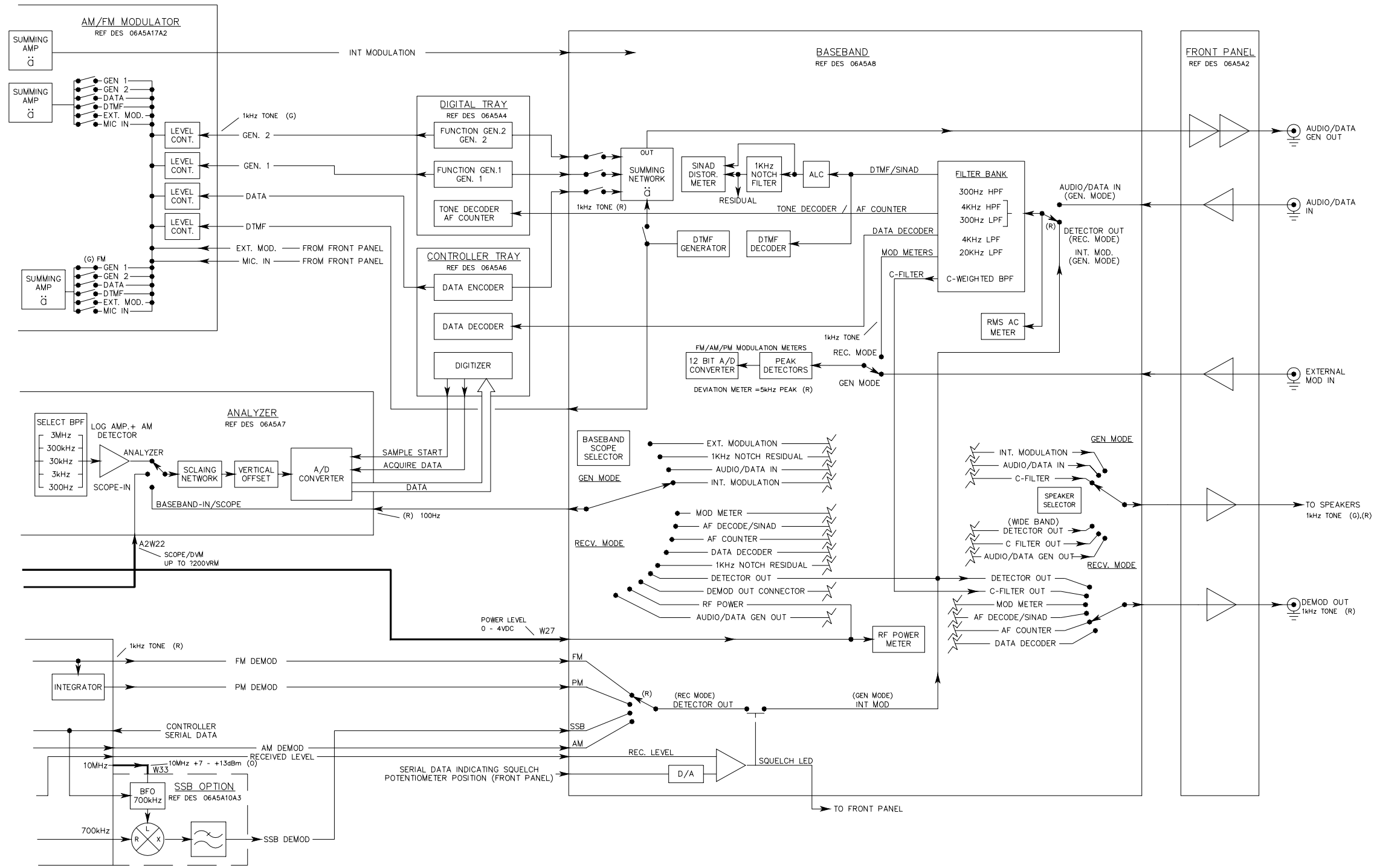
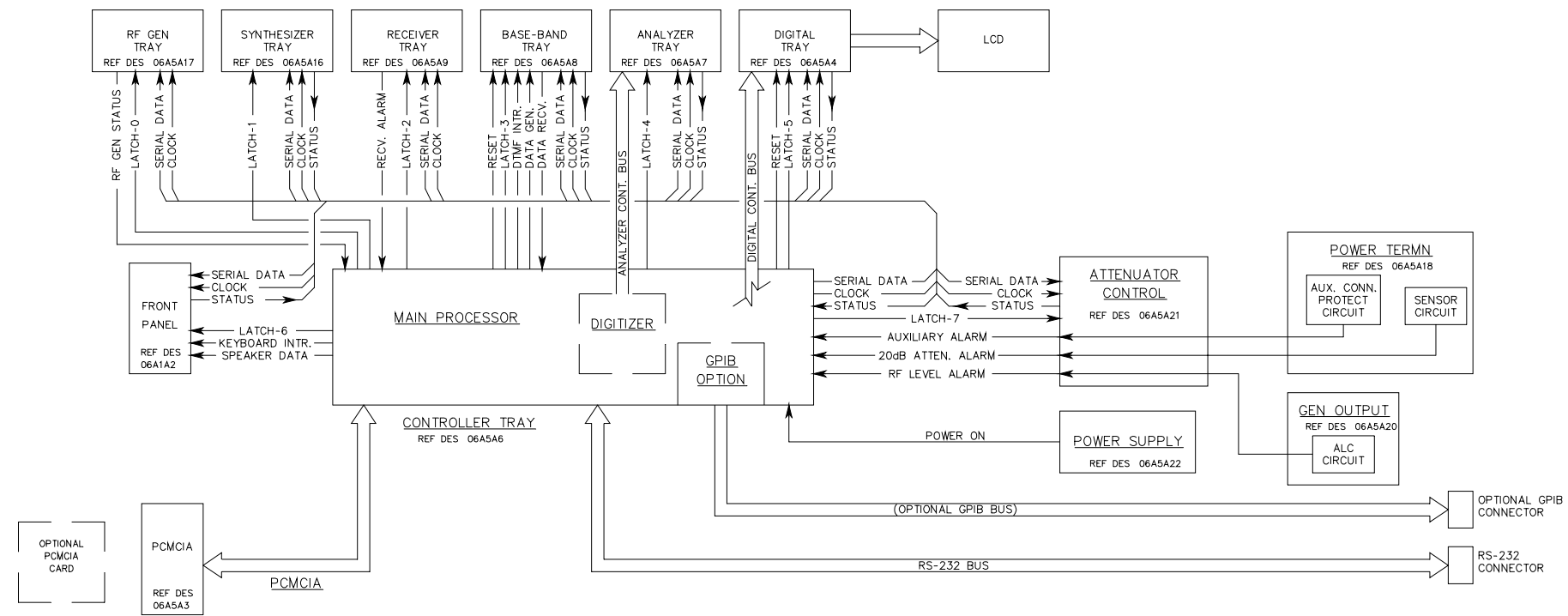
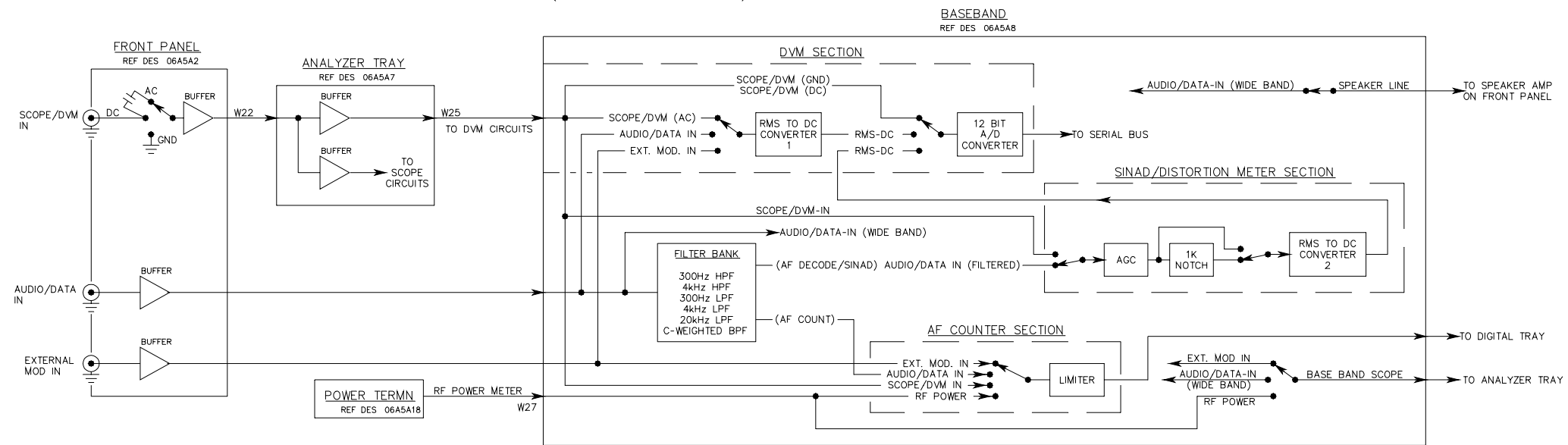


Figure 1-1 COM-120C System Block Diagram (Sheet 2 of 3)

CONTROL BLOCK DIAGRAM

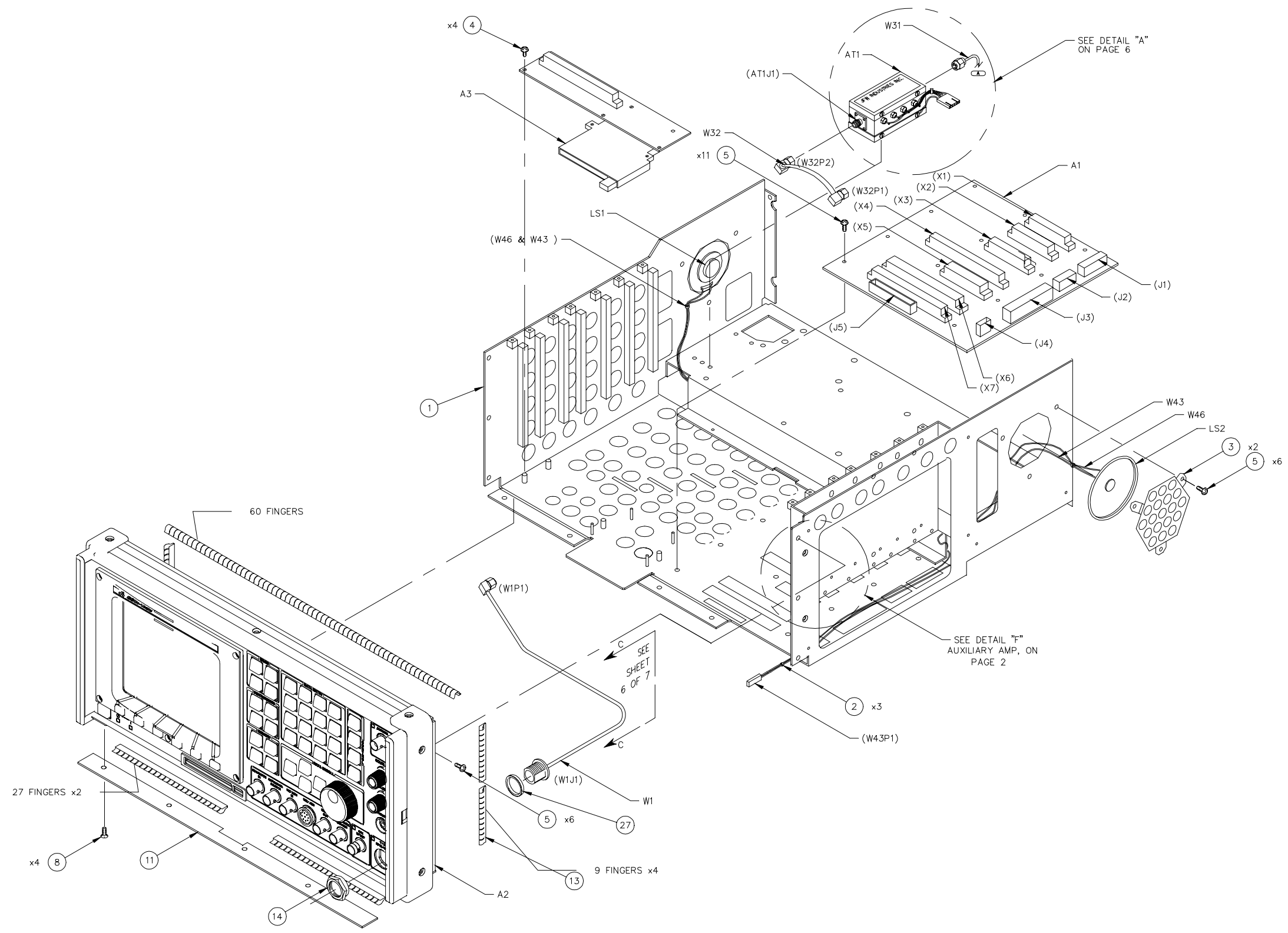


METERS (INDEPENDENT METERS) BLOCK DIAGRAM



006C-003

Figure 1-1 COM-120C System Block Diagram (Sheet 3 of 3)



**CAUTION:**  
CONTAINS PARTS AND ASSEMBLIES  
SUSCEPTIBLE TO DAMAGE BY  
ELECTROSTATIC DISCHARGE (ESD).

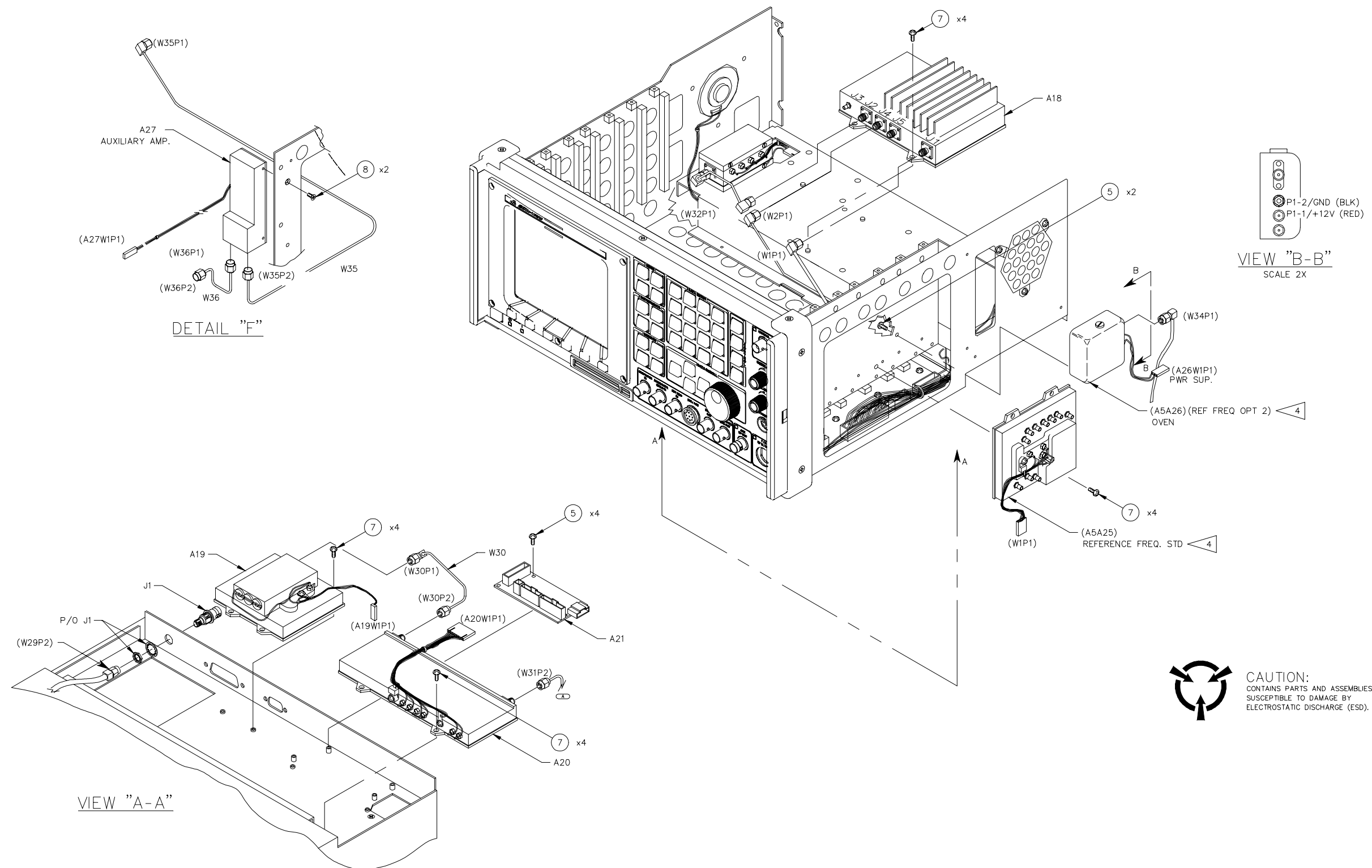
**NOTES:**

1. BASIC REFERENCE DESIGNATORS SHOWN, FOR COMPLETE DESIGNATOR PREFIXES REFER TO PRODUCT STRUCTURE, AND SYSTEM INTERCONNECT FOR APPLICATIONS WHERE USED.
2. CONFORMABLE COAX W AND P DESIGNATOR NOT SHOWN FOR DRAWING CLARITY (TAG# = W DESIGNATOR)
3. APPLY ANTI-SIEZE COMPOUND (12) TO SCREW TREADS PRIOR TO ASSEMBLY.
4. BOM CONFIGURED ITEM. REFER TO HIGHER LEVEL BOM.

WIRE RUNNING LIST				
DESG	FROM	TO	COLOR	AWG
	P1-01	LST (+)	WHT	26
	P1-02	LS2 (-)	BLK	26
	LST (-)	LS2 (+)	WHT/BLK	26

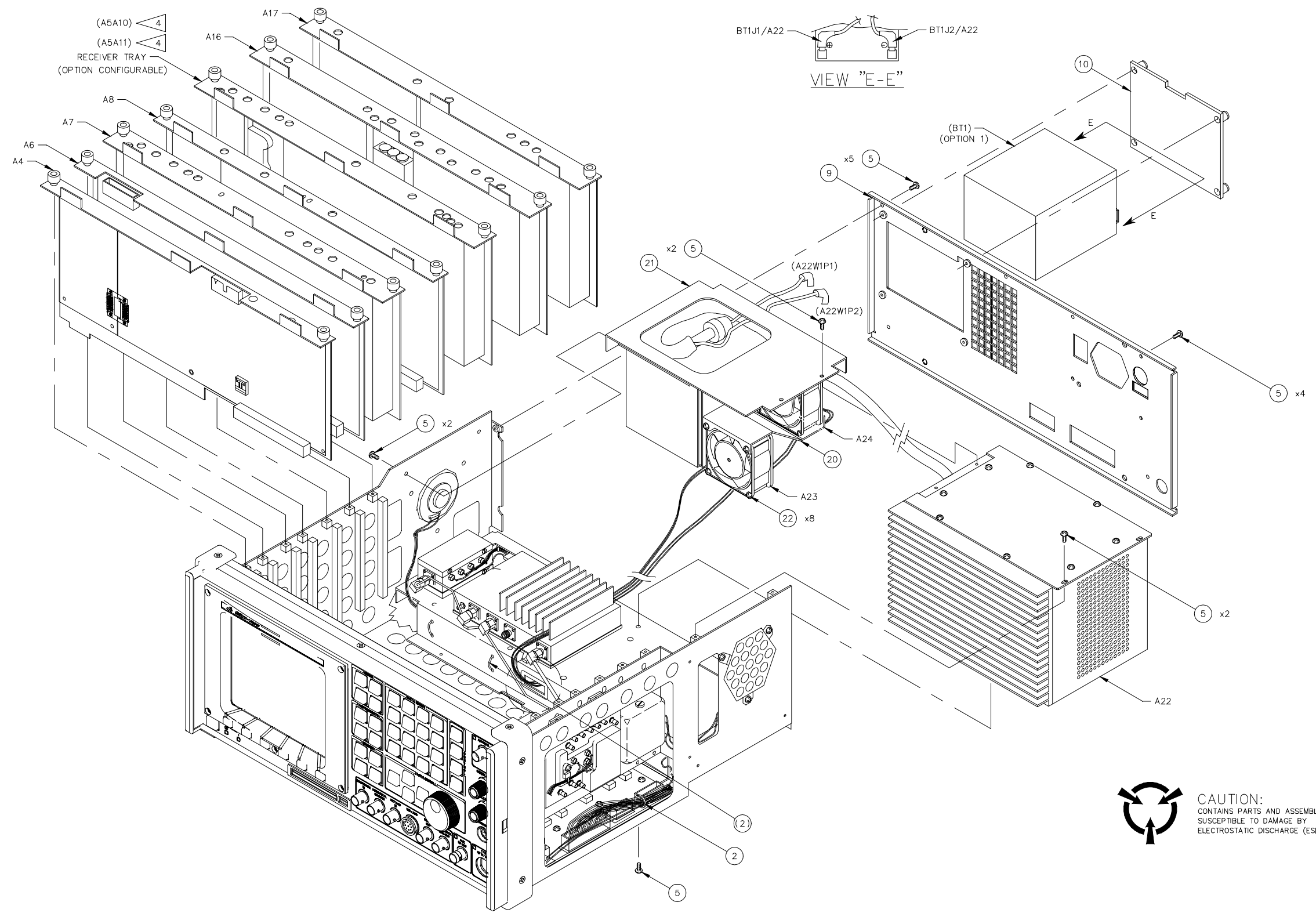
006C-004

**Figure 1-2 Composite Assembly  
(Sheet 1 of 7)  
(7003-0647-200)**



006C-005

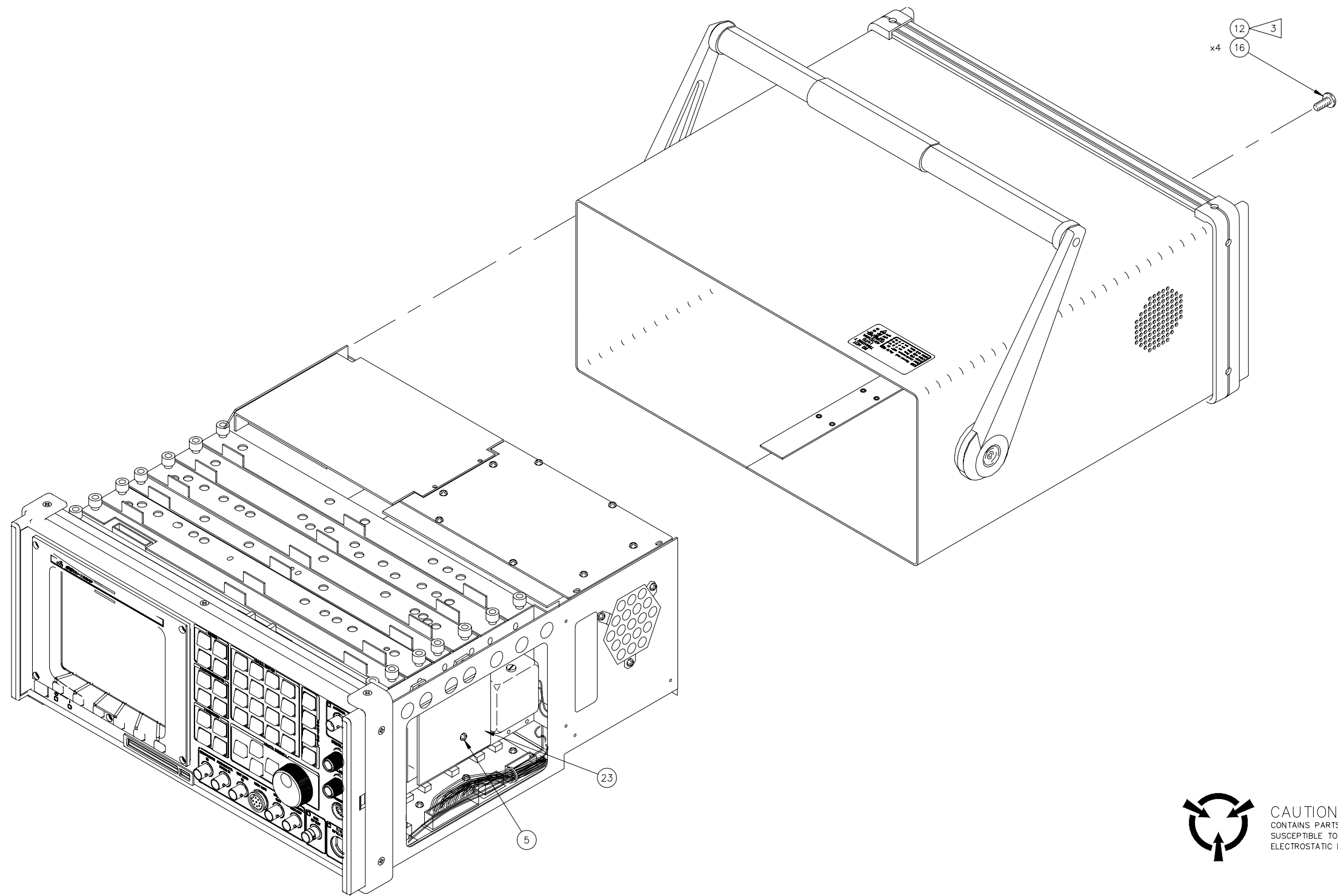
Figure 1-2 Composite Assembly  
(Sheet 2 of 7)  
(7003-0647-200)



006C-006

Figure 1-2 Composite Assembly  
 (Sheet 3 of 7)  
 (7003-0647-200)



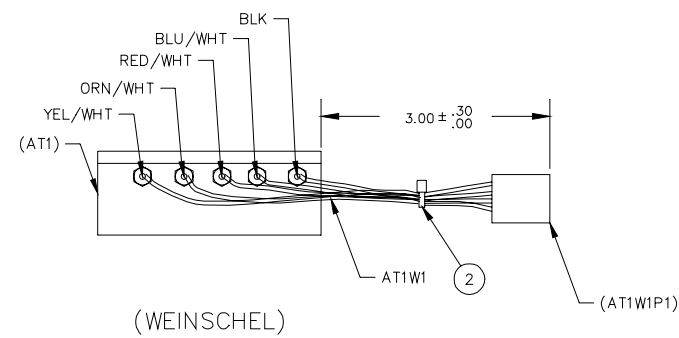
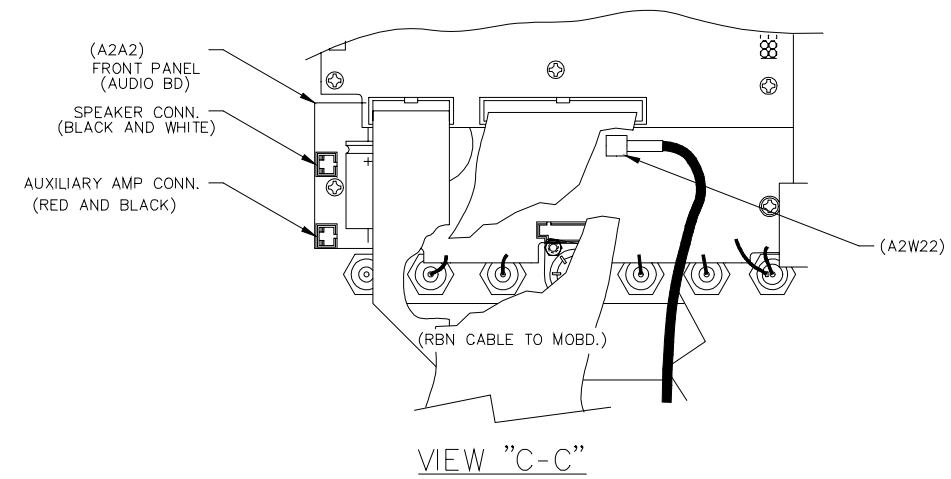
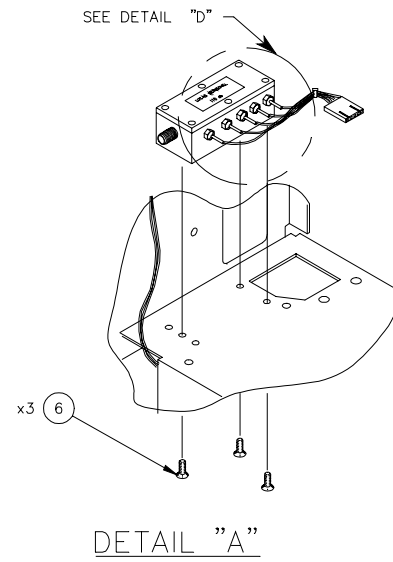


CAUTION:  
CONTAINS PARTS AND ASSEMBLIES  
SUSCEPTIBLE TO DAMAGE BY  
ELECTROSTATIC DISCHARGE (ESD).

006C-008

Figure 1-2 Composite Assembly  
(Sheet 5 of 7)  
(7003-0647-200)





WIRE RUNNING LIST				
DESG	FROM	TO	COLOR	AWG
AT1W1W1	P1-01	10	RED/WHT	26
AT1W1W2	P1-02	20	ORN/WHT	26
AT1W1W3	P1-03	40	YEL/WHT	26
AT1W1W4	P1-04	40	BLU/WHT	26
AT1W1W5	P1-05	GND	BLK	26

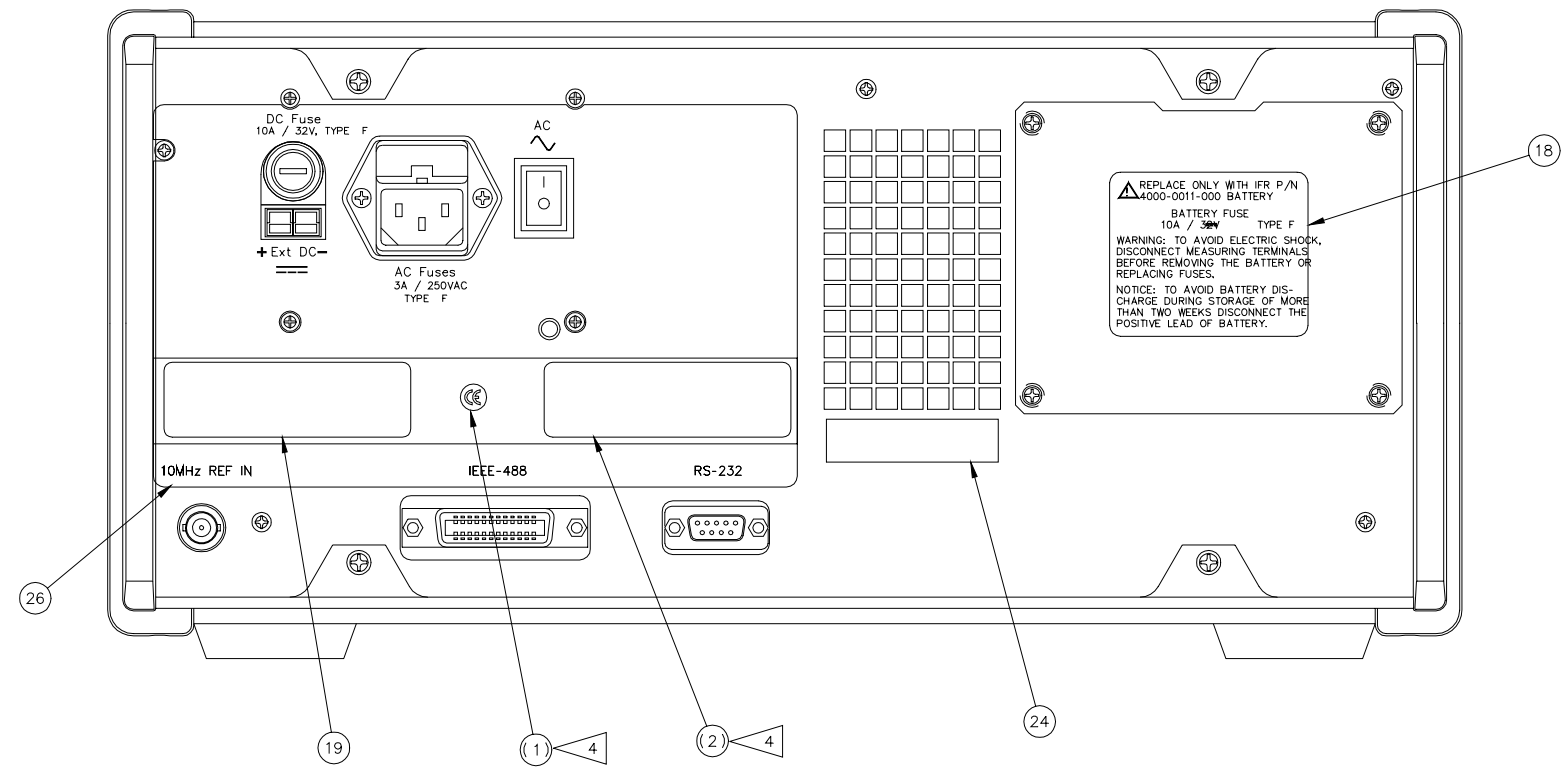
DETAIL "D"



CAUTION:  
CONTAINS PARTS AND ASSEMBLIES  
SUSCEPTIBLE TO DAMAGE BY  
ELECTROSTATIC DISCHARGE (ESD).

006C-009

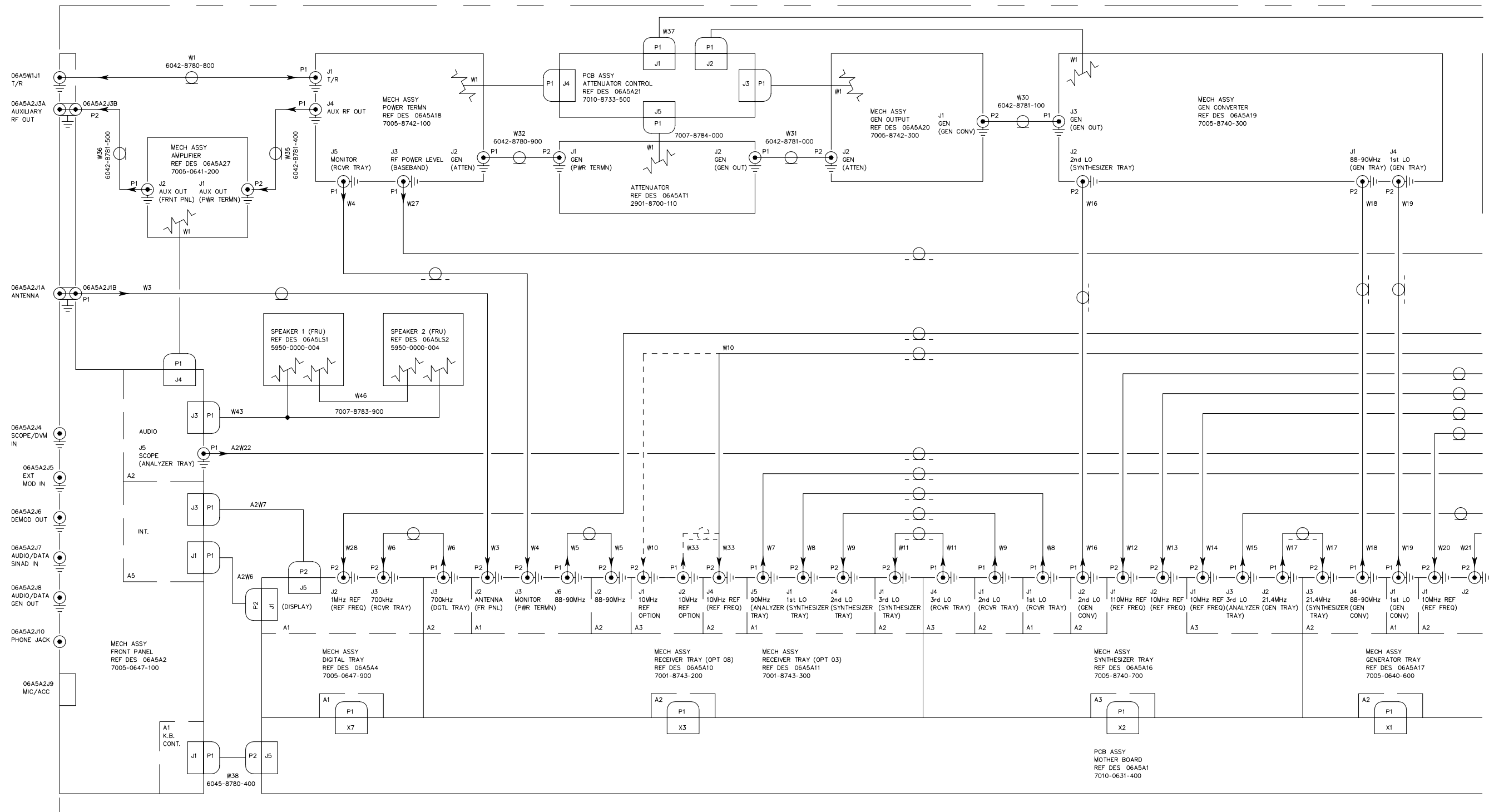
Figure 1-2 Composite Assembly  
(Sheet 6 of 7)  
(7003-0647-200)



**CAUTION:**  
CONTAINS PARTS AND ASSEMBLIES  
SUSCEPTIBLE TO DAMAGE BY  
ELECTROSTATIC DISCHARGE (ESD).

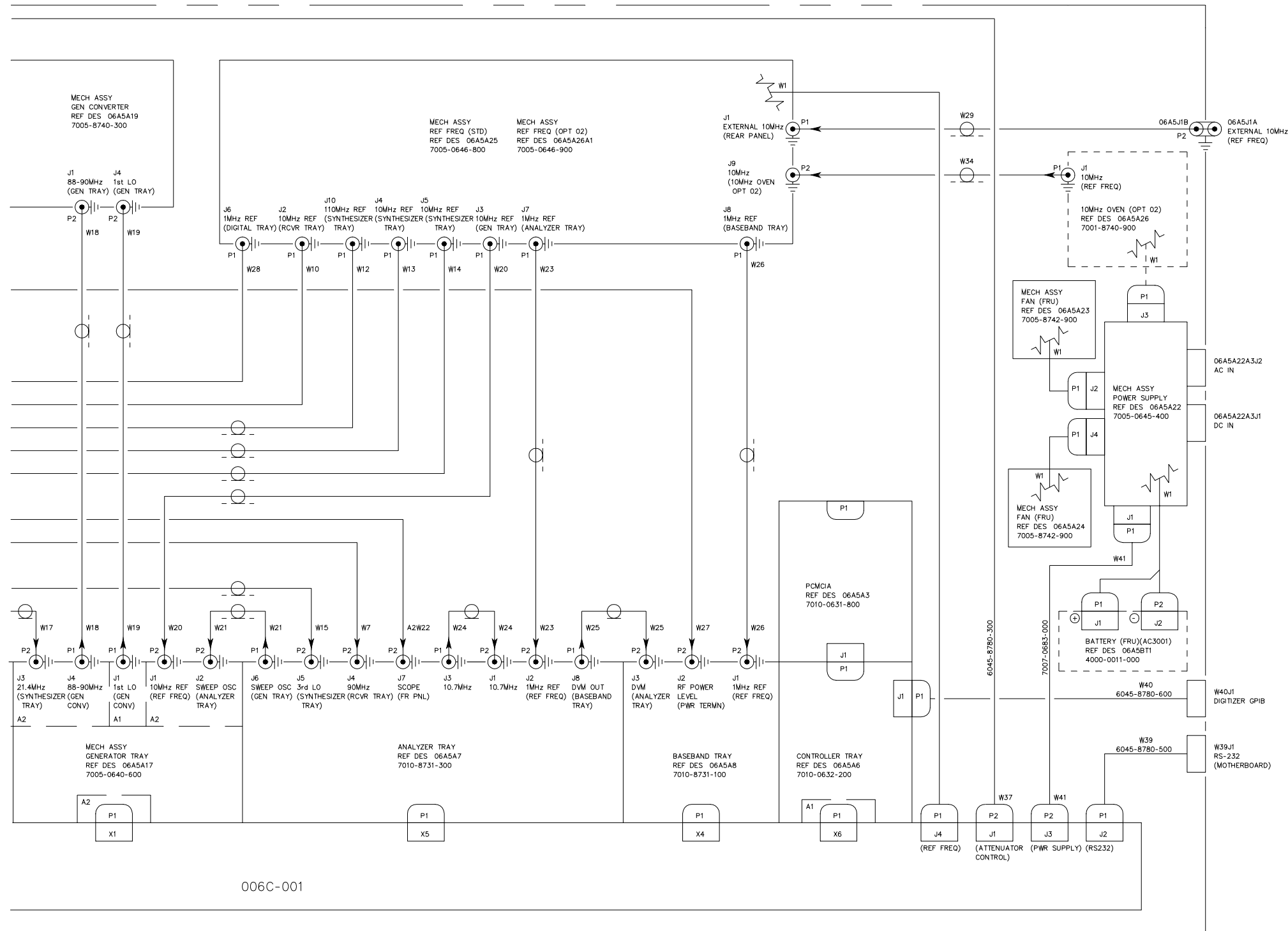
006C-010

**Figure 1-2 Composite Assembly  
(Sheet 7 of 7)  
(7003-0647-200)**



006C-011

Figure 1-3 System Interconnect Diagram  
 (Sheet 1 of 3)  
 (0000-0647-200)



006C-001

006C-012

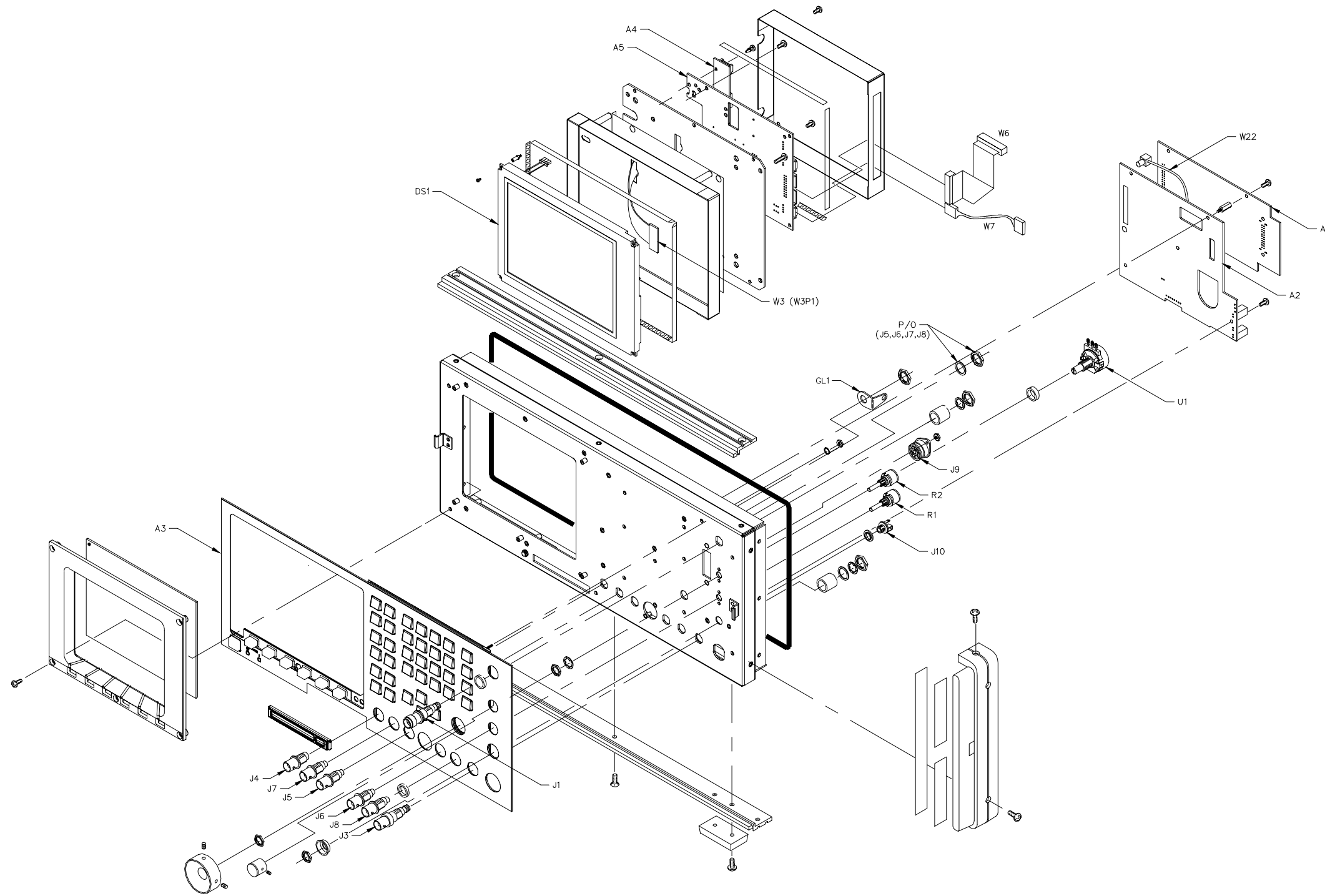
Figure 1-3 System Interconnect Diagram  
(Sheet 2 of 3)  
(0000-0647-200)

COAX DEFINITION TABLE

COAX #	FUNCTION	SIGNAL FREQUENCY	SIGNAL LEVEL	COAX #	FUNCTION	SIGNAL FREQUENCY	SIGNAL LEVEL
W1	T/R TO POWER TERMN I/O CONNECTION	0.25MHz TO 1000MHz	-137dBm TO -20dBm (SIGNAL OUT) -30dBm TO +53dBm (SIGNAL IN)	W19	FIRST LO FROM GENERATOR TRAY TO GEN CONVERTER	1300MHz TO 2298MHz	+5dBm TO +10dBm
W3	FRONT PANEL ANT CONNECTOR TO RECEIVER	0.25MHz TO 1000MHz	-137dBm TO 0dBm (NOMINAL INPUT SIGNAL) +40dBm (MAX LEVEL)	W20	10MHz REF FROM REF FREQ TO GENERATOR TRAY	10MHz	+7dBm TO +13dBm
W4	MONITOR CABLE-CROSS FEED FROM POWER TERMN TO RECEIVER	0.25MHz TO 1000MHz	-137dBm TO -7dBm	W21	SWEEP OSC FROM ANALYZER TO GENERATOR TRAY	121.3MHz TO 123.3MHz CENTER FREQ. UP TO 76MHz SWEEP	-8dBm 75dB
W5	RECEIVER JUMPER	88MHz TO 90MHz	+9dB TO +14dB GAIN (FROM ANT INPUT W3)	A2W22	SCOPE/DVM CONNECTION FROM FRONT PANEL	DC TO 20kHz	UP TO 74V
W6	700kHz FROM RECEIVER TO RF ERROR METER ON DIGITAL TRAY	700kHz	0.4Vpp INTO 1kΩ LOAD	W23	1MHz REF FROM REF FREQ TO ANALYZER	1MHz	3.0Vpp TO 5Vpp
W7	RECEIVER TO ANALYZER	88MHz TO 90MHz	0dB 74dB GAIN (FROM ANT INPUT W3)	W24	ANALYZER JUMPER CABLE	10.7MHz	APP. 20dB GAIN (FROM 88-90MHz INPUT W7)
W8	FIRST LO FROM SYNTHESIZER TRAY TO RECEIVER TRAY	1300MHz TO 2298MHz	+5dBm TO +10dBm	W25	DVM LEVEL FROM ANALYZER TO BASEBAND TRAY	DC TO 20kHz	UP TO 74V
W9	SECOND LO FROM SYNTHESIZER TRAY TO RECEIVER TRAY	1210MHz	+5dBm TO +10dBm	W26	1MHz REF FROM REF FREQ TO BASEBAND TRAY	1MHz	3.0Vpp TO 5Vpp
W10	10MHz REF FROM REF FREQ TO RECEIVER	10MHz	+7dBm TO +13dBm	W27	POWER LEVEL FROM POWER TERMN TO BASEBAND TRAY	DC	0 TO +4.0VDC NOMINAL
W11	THIRD LO FROM SYNTHESIZER TRAY TO RECEIVER TRAY	77.3MHz TO 79.3MHz	+5dBm TO +10dBm	W28	1MHz REFERENCE TO DIGITAL TRAY	1MHz	3.0Vpp TO 5.0Vpp
W12	110MHz REF FROM REF FREQ TO SYNTHESIZER TRAY	110 MHz	-5dBm TO +3dBm	W29	EXTERNAL 10MHz FROM REAR PANEL TO REF FREQ	10MHz	+3dBm TO +10dBm
W13	10MHz REF FROM REF FREQ TO SYNTHESIZER TRAY	10MHz	+7dBm TO +13dBm	W30	COAX CABLE FROM GEN CONVERTER TO GEN OUTPUT	0.25MHz TO 1000MHz	-40dB 71dB
W14	10MHz REF FROM REF FRQ TO SYNTHESIZER TRAY	10MHz	+7dBm TO +13dBm	W31	RF OUTPUT FROM GEN OUTPUT TO ATTENUATOR	0.25MHz TO 1000MHz	-10dBm NOMINAL
W15	THIRD LO FROM SYNTHESIZER TRAY TO ANALYZER	77.3MHz TO 79.3MHz	+5dBm TO +9dBm	W32	RF OUTPUT FROM ATTENUATOR TO POWER TERM	0.25MHz TO 1000MHz	-10dBm TO -127dBm
W16	SECOND LO FROM SYNTHESIZER TRAY TO GEN CONVERTER	1210MHz	-14dBm TO -9dBm	W33	OPTIONAL JUMPER TO RECEIVER TRAY (SSB OPTION) 10MHz REF	10MHz	+7dBm TO +13dBm
W17	21.4MHz FROM SYNTHESIZER TRAY TO GEN TRAY	21.4MHz TO 21.4024MHz INC.=100Hz	-4dBm TO +2dBm	W34	OPTIONAL 10MHz REF FROM 10MHz OVEN TO REF FREQ	10MHz	+7dBm 72dB
W18	88MHz FROM GENERATOR TRAY TO GEN CONVERTER	88MHz TO 90MHz	-13dBm 71dB	W35	INPUT FROM POWER TERMN TO AUX AMP	0.25MHz TO 1000MHz	-137dBm TO -13dBm
				W36	OUTPUT FROM AUX AMP TO FRONT PANEL	0.25MHz TO 1000MHz	-137dBm TO +13dBm

006C-013

Figure 1-3 System Interconnect Diagram  
(Sheet 3 of 3)  
(0000-0647-200)



CAUTION:  
 CONTAINS PARTS AND ASSEMBLIES  
 SUSCEPTIBLE TO DAMAGE BY  
 ELECTROSTATIC DISCHARGE (ESD).

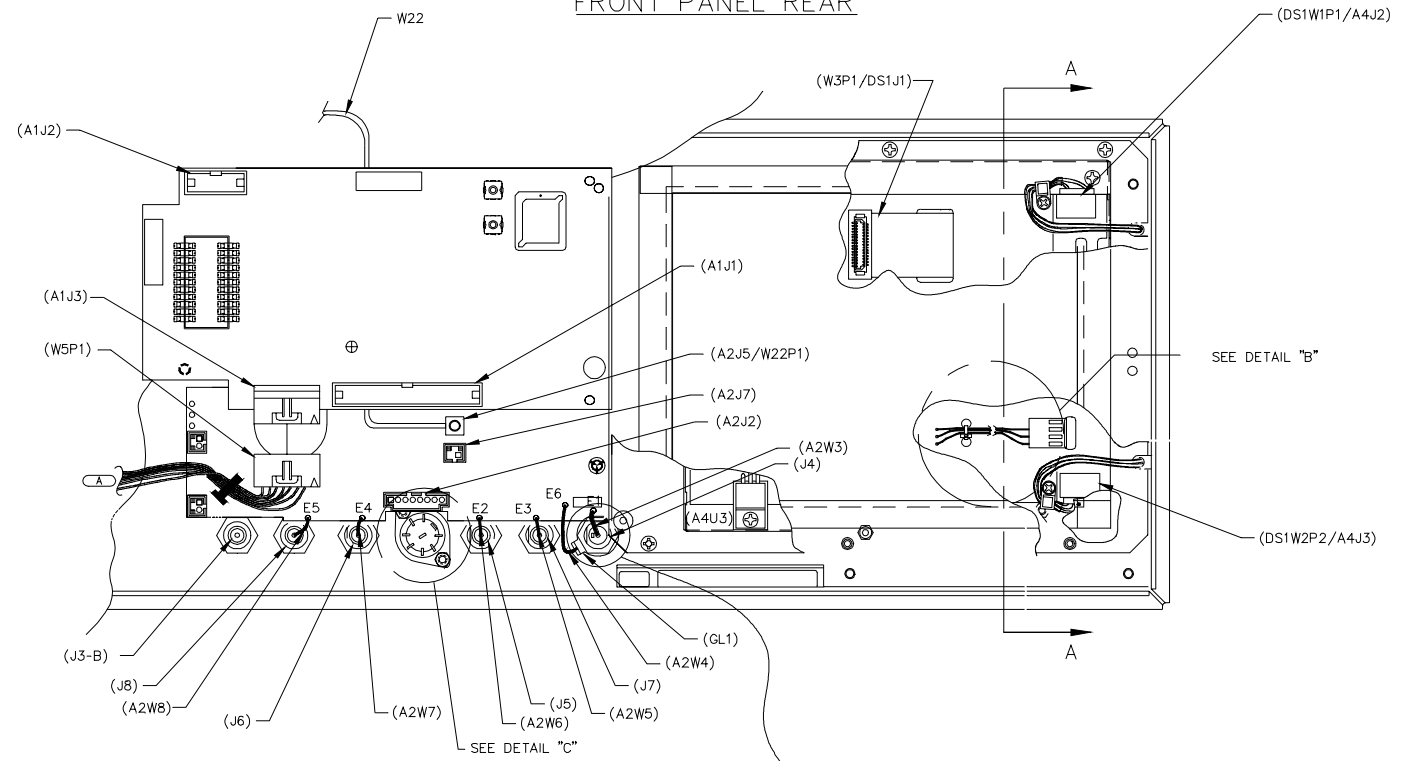
006C-014

Figure 1-4 Front Panel Assembly  
 (Sheet 1 of 2)  
 (7005-0647-100)

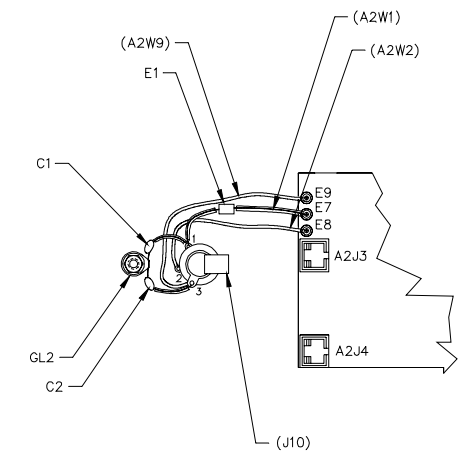
FRONT PANEL REAR



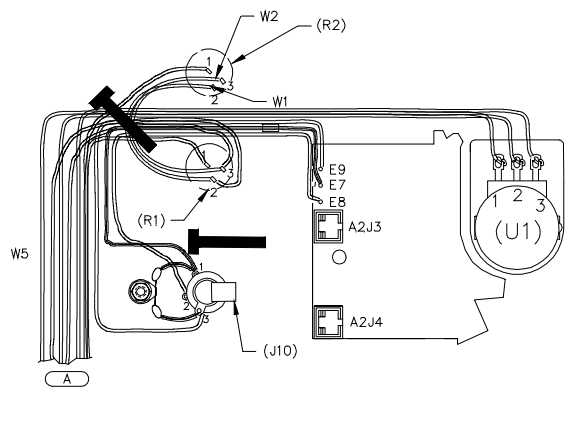
CAUTION:  
CONTAINS PARTS AND ASSEMBLIES  
SUSCEPTIBLE TO DAMAGE BY  
ELECTROSTATIC DISCHARGE (ESD).



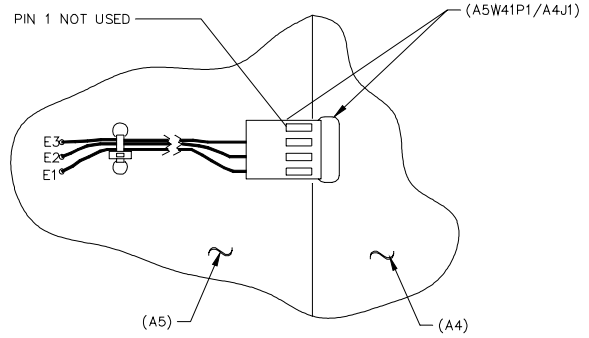
WIRE RUNNING LIST				
DESG	FROM	TO	COLOR	AWG
A2W1	A2E7	J10-1	BLUE	26
A2W2	A2E8	J10-2	WHT/BLUE	26
A2W3	A2E1	J4	RED	22
A2W4	A2E6	GL1	BUSS	22
A2W5	A2E3	J7	BUSS	22
A2W6	A2E2	J5	BUSS	22
A2W7	A2E4	J6	BUSS	22
A2W8	A2E5	J8	BUSS	22
A2W9	A2E9	J10-3	BLK	26
W1	R2-2	R1-2	ORN	26
W2	R2-3	R1-3	BLACK	26
W5W1	W3P1-1	N/C		
W5W2	W3P1-2	R2-1	WHT/VIO	26
W5W3	W3P1-3	R1-1	WHT/YEL	26
W5W4	W3P1-4	R1-2	ORN	26
W5W5	W3P1-5	R1-3	BLACK	26
W5W6	W3P1-6	U1-1	WHT/BRN	26
W5W7	W3P1-7	U1-2	WHT/GRN	26
W5W8	W3P1-8	U1-3	BLACK	26
W4W1	W4P1-1	J9-1	BRN	26
W4W2	W4P1-2	J9-2	RED	26
W4W3	W4P1-3	J9-3	ORN	26
W4W4	W4P1-4	J9-4	WHT	26
W4W5	W4P1-5	J9-5	BRN	26
W4W6	W4P1-6	J9-6	GRAY	26
W4W7	W4P1-7	J4-7	VIO	26
W4W8	W4P1-8	J4-8	BLACK	26
C1	J10-1	GL2		
C2	J10-3	GL2		
C3	J9-7	J9-8		



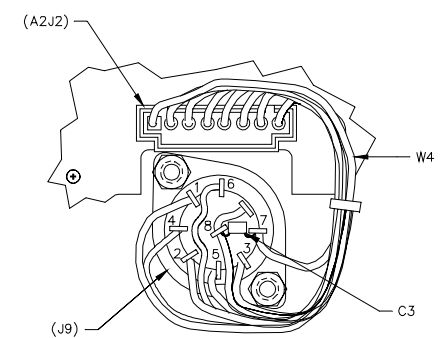
DETAIL "D"



DETAIL "A"



DETAIL "B"



DETAIL "C"

006C-015

Figure 1-4 Front Panel Assembly  
(Sheet 2 of 2)  
(7005-0647-100)

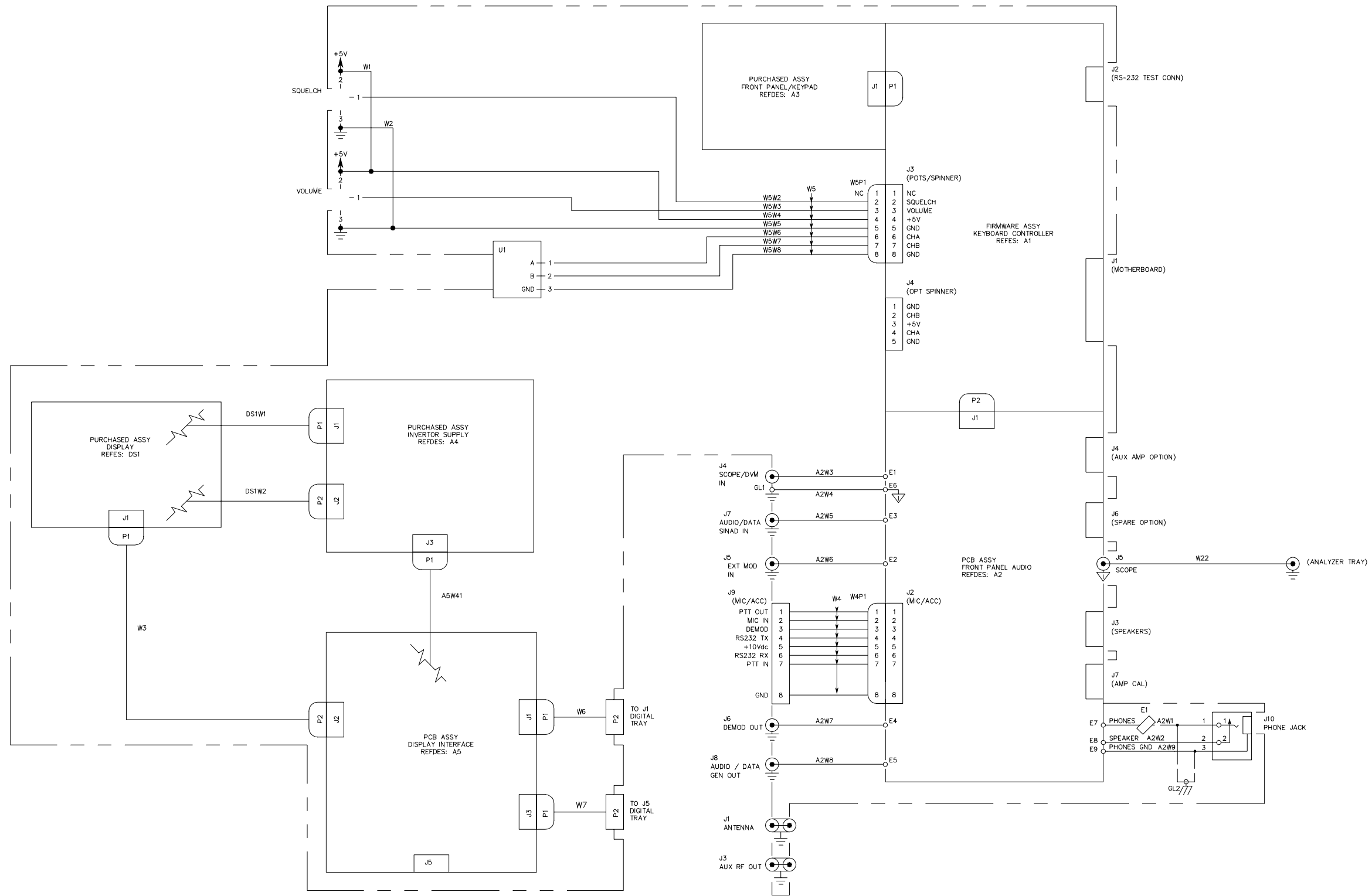
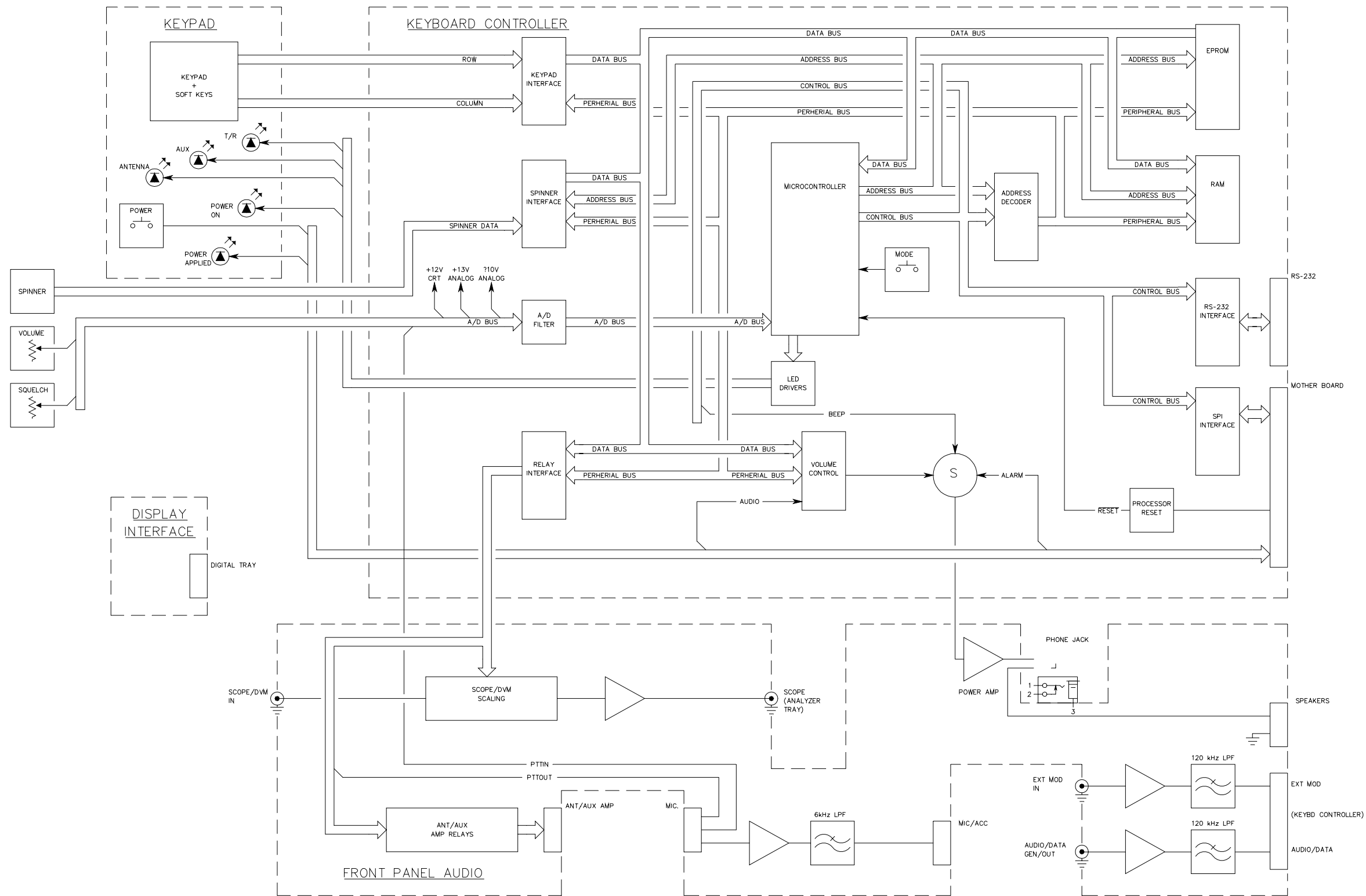


Figure 1-5 Front Panel Assembly System Interconnect Diagram (Sheet 1 of 2) (0000-0647-100)





006C-017

Figure 1-5 Front Panel Assembly System Interconnect Diagram (Sheet 2 of 2) (0000-0647-100)

THIS PAGE INTENTIONALLY LEFT BLANK.

## SECTION 2 – PARTS LIST

### COMPOSITE ASSEMBLY (7003-0647-200-A1)

REFERENCE DESIGNATOR	PART NUMBER	DESCRIPTION
1	6500-0658-500	MINOR ASSY, CHASSIS
2	6004-6005-400	TY-RAP, 4.0 LG
3	4503-8752-600	RETAINER, SPEAKER
4	2803-0375-006	SCREW, 4-40 X 3/8 PPHM
5	2803-0250-006	SCREW, 4-40 X 1/4 PPHM
6	2803-0188-003	SCREW, 4-40 X 3/16 PFHM
7	2803-0125-006	SCREW, 4-40 X 1/8 PPHM
8	2803-0250-003	SCREW, 4-40 X 1/4 PFHM
9	1405-0658-400	PANEL, REAR
10	1414-8758-700	COVER, BATTERY
11	2506-0658-700	PLATE, FT PNL FINGERSTOCK
12	1050-0000-354	LOCTITE, HEAVY DUTY ANIT-SEIZE
13	2845-0000-017	FINGERSTOCK, BRIGHT TIN PLATED
14	2850-8757-200	NUT, N CONN SPACER T/R PORT
15	2850-1692-600	SCREW, .340L35-6.25HH, 4-40X.410
16	2805-0375-006	SCREW 8-32X3/8 PHIL BIND HD
18	2400-0655-900	LABEL, BATTERY FUSE
19	2400-9931-500	LABEL, S/N, V/W, COM-120C
20	1400-8758-100	BRACKET, FAN DUCT
21	6500-8781-700	MINOR ASSY, BATTERY BOX
22	2803-1188-006	SCREW, 4-40 X 1 3/16 PPHMS
23	1400-0657-900	BRACKET, REF FREQ
24	2400-0000-005	INTERNAL OPTIONS TAG
26	2403-0656-000	OVERLAY, REAR PANEL
27	2800-8764-500	SPACER, N CONNECTOR
A1	7010-0631-400	PCB ASSY, MOTHERBOARD
A2	7005-0647-100	MECH ASSY, FRONT PANEL, COM-120C
A3	7010-0631-800	PCB ASSY, PCMCIA INTERFACE
A4	7005-0647-900	MECH ASSY, DIGITAL TRAY
A6	7010-0632-200	PCB ASSY, CONTROLLER COM-120B
A7	7010-8731-300	PCB ASSY, ANALYZER
A8	7010-8731-100	PCB ASSY, BASE BAND
A16	7005-8740-700	MECH ASSY, SYNTHESIZER TRAY
A17	7005-0640-600	MECH ASSY, GENERATOR TRAY
A18	7005-8742-100	MECH ASSY, POWER TERMN
A19	7005-8740-300	MECH ASSY, GEN CONVERTER
A20	7005-8742-300	MECH ASSY, GENERATOR OUTPUT
A21	7010-8733-500	PCB ASSY, ATTENUATOR CONTROL
A22	7005-0645-400	MECH ASSY, POWER SUPPLY
A23	7005-8742-900	MECH ASSY, FAN
A24	7005-8742-900	MECH ASSY, FAN
A27	7005-0641-200	MECH ASSY, AUXILIARY AMP
AT1	2901-8700-110	ATTEN, PRG 110dB 10dB STEP RLY

**COMPOSITE ASSEMBLY  
(7003-0647-200-A1) (cont)**

REFERENCE DESIGNATOR	PART NUMBER	DESCRIPTION
AT1W1	7007-8784-000	WIRE HARN.COMPOSITE ATTENUATOR
J1	2200-0410-100	CONN,ADAPT,F BNC/F SMASTR BHD
LS1	5950-0000-004	SPEAKER, MYLAR 2.25 DIA
LS2	5950-0000-004	SPEAKER, MYLAR 2.25 DIA
TAG#3	6044-1441-860	COAX C HS SL F SMB RA-M SMA ST
TAG#4	6044-1402-950	COAX CONF SL F SMB RA-M SMA RA
TAG#5	6044-1430-680	COAX C HS SL F SMB RA-F SMB RA
TAG#6	6044-1430-950	COAX C HS SL F SMA RA-F SMA RA
TAG#7	6044-1431-900	COAX C HS SL F SMB RA-F SMB RA
TAG#8	6044-1430-570	COAX C HS SL F SMB RA-F SMB RA
TAG#9	6044-1430-450	COAX C HS SL F SMB RA-F SMB RA
TAG#10	6044-1430-850	COAX C HS SL F SMB RA-F SMB RA
TAG#11	6044-1431-160	COAX C HS SL F SMB RA-F SMB RA
TAG#12	6044-1451-400	COAX C HS SL F SMB RA-F SMB RA
TAG#13	6044-1431-280	COAX C HS SL F SMB RA-F SMB RA
TAG#14	6044-1430-950	COAX C HS SL F SMA RA-F SMA RA
TAG#15	6044-1431-160	COAX C HS SL F SMB RA-F SMB RA
TAG#16	6044-1432-330	COAX C HS SL F SMB RA-F SMB RA
TAG#17	6044-1430-450	COAX C HS SL F SMB RA-F SMB RA
TAG#18	6044-1432-200	COAX C HS SL F SMB RA-F SMB RA
TAG#19	6044-1432-330	COAX C HS SL F SMB RA-F SMB RA
TAG#20	6044-1431-350	COAX C HS SL F SMB RA-F SMB RA
TAG#21	6044-1431-350	COAX C HS SL F SMB RA-F SMB RA
TAG#23	6044-1431-350	COAX C HS SL F SMB RA-F SMB RA
TAG#24	6044-1430-350	COAX C HS SL F SMB RA-F SMB RA
TAG#25	6044-1430-290	COAX C HS SL F SMB RA-F SMB RA
TAG#26	6044-1431-350	COAX C HS SL F SMB RA-F SMB RA
TAG#27	6044-1472-780	COAX C HS SL F SMB RA-F SMB RA
TAG#28	6044-1430-850	COAX C HS SL F SMB RA-F SMB RA
TAG#29	6044-1441-110	COAX C HS SL F SMB RA-M SMA ST
W1	6042-8780-800	COAX SR .141 F N ST-M SMA ST
W30	6042-8781-100	COAX SR .086 M SMA ST-M SMA RA
W31	6042-8781-000	COAX SR .086 M SMA ST-M SMA ST
W32	6042-8780-900	COAX SR .086 M SMA RA-M SMA RA
W35	6042-8781-400	COAX SR .086 M SMA ST-M SMA ST
W36	6042-8781-500	COAX SR .086 M SMA ST-M SMA ST
W37	6045-8780-300	RBN CA ASSY, MOTHERBD-ATTEN
W38	6045-8780-400	RBN CA ASSY, MOTHERBD-FT PNL
W39	6045-8780-500	RBN CA ASSY, MOTHERBD-RS232
W40	6045-8780-600	RBN CA ASSY, GPIB
W41	7007-0683-000	W HARN ASSY, MOTHBD-PWR SUPPLY
W43	7007-8783-900	WIRE HARNESS,COMPOSITE SPEAKER
W46	6008-1000-011	WIRE,UL1213,26GA,7X34,WHT/'BLK

**CHINA**

Tel: [+86] (10) 6467 2716

Fax: [+86] (10) 6467 2821

**EUROPE NORTH**

Tel: [+44] (1438) 742200

Fax: [+44] (1438) 727601

**EUROPE SOUTH**

Tel: [+44] (1438) 742200

Fax: [+44] (1438) 727601

**FRANCE**

Tel: [+33] 1 60 79 96 00

Fax: [+33] 1 60 77 69 22

**GERMANY**

Tel: [+49] (8131) 29260

Fax: [+49] (8131) 2926130

**HONG KONG**

Tel: [+852] 2832 7988

Fax: [+852] 2834 5364

**LATIN AMERICA**

Tel: [+1] (972) 899 5150

Fax: [+1] (972) 899 5154

**SCANDINAVIA**

Tel: [+45] 9614 0045

Fax: [+45] 9614 0047

**SPAIN**

Tel: [+34] (91) 640 11 34

Fax: [+34] (91) 640 06 40

**UNITED KINGDOM**

Tel: [+44] (0) 1438 742200 (Stevenage)

[+44] (0) 1703 273722 (Chandlers Ford)

Freephone: [+44] (UK Only) 0800 282 388

Fax: [+44] (0) 1438 727601 (Stevenage)

[+44] (0) 1703 254015 (Chandlers Ford)

**USA**

Tel: [+1] (316) 522 4981

Toll Free: [+1] (US Only) (800) 835 2352

Fax: [+1] (316) 522 1360

*As we are always seeking to improve our products, the information in this document gives only a general indication of the product capacity, performance and suitability, none of which shall form part of any contract. We reserve the right to make design changes without notice.*

Web [www.ifrsys.com](http://www.ifrsys.com)Email [info@ifrsys.com](mailto:info@ifrsys.com)