

INSTRUCTION MANUAL

MODEL 440

DIGITAL PICOAMMETER

INSTRUCTION MANUAL
MODEL 440
DIGITAL PICOAMMETER

© COPYRIGHT 1974

KEITHLEY INSTRUMENTS, INC.

28775 AURORA ROAD • CLEVELAND, OHIO 44139 • (216) 248-0400
TELEX: 98-5469 • CABLE: KEITHLEY

PRINTED IN U.S.A.

CONTENTS

Section	Page
SPECIFICATIONS -----	iv
1. GENERAL DESCRIPTION -----	1
2. OPERATION -----	3
3. CIRCUIT DESCRIPTION -----	10
4. ACCESSORIES -----	25
5. CALIBRATION -----	27
6. REPLACEABLE PARTS -----	32
SCHEMATICS -----	53

ILLUSTRATIONS

Fig. No.	Title	Page
1	Front Panel.	1
2	Front Panel Controls.	2
3	Rear Panel Controls and Terminals.	2
4	Printer/Control Connector.	8
5	Timing Diagram.	9
6	Simplified Diagram of Feedback Ammeter.	10
7	Gain Calibration of Amplifier.	10
8	Damping for Ammeter.	11
9	Zero Check Operation.	11
10	Block Diagram of A/D Converter.	12
11	Delay Hold Circuit.	13
12	Integrator Circuit.	13
13	Zero Crossing Detector.	13
14	Model 4401 Buffer Stage.	15
15	Chassis Top View, Showing Cal. Adjustments.	17
16	Location of Printed Circuit Boards.	18
17	Component Layout, PC-207.	19
18	Component Layout, PC-208.	19
19	Component Layout, PC-210.	21
20	Component Layout, PC-217.	20
21	Component Layout, PC-219.	20
22	Component Layout, PC-222.	23
23	Component Layout, PC-223.	23
24	Component Layout, PC-229.	23
25	Component Layout, PC-209.	24
26	Component Layout, PC-218.	24
27	Test Equipment Set-up for A/D Calibration.	30
28	A/D Converter Zero Adjustments.	31
29	Mechanical Assembly.	33
30	Template, Test Cover, Top	51
31	Template, Test Cover, Bottom	52

SPECIFICATIONS

RANGE: 100 picoamperes full scale (0.1 picoampere, least significant digit) to 10 milliamperes in nine decade ranges with 100% overranging on all ranges.

DISPLAY: Four digits from 000 to 1999; polarity and overload indication.

POLARITY SELECTION: Automatic.

RANGE SELECTION: Manual with automatic decimal point positioning.

ACCURACY AND RESPONSE TIME:

Range	Calibrated Accuracy ¹ (% of reading)	Range Resistor		Analog Rise Time ³ (10% - 90%)
		Stability	Temperature Coefficient	
10 mA to 100 uA	±0.2% ± 1 digit	0.01%/yr	.005%/°C	less than 1 ms
10 uA	±0.2% ± 1 digit	0.5%/yr	.015%/°C	4 ms
1 uA	±0.2% ± 1 digit	0.5%/yr	.015%/°C	5 ms
100 nA	±0.4% ± 1 digit	1%/yr	.05%/°C	8 ms
10 nA	±0.5% ± 1 digit ²	2%/yr	.05%/°C	20 ms
1 nA	±0.5% ± 1 digit ²	3%/yr	.2%/°C	40 ms
100 pA	±0.5% ± 1 digit ²	3%/yr	.2%/°C	120 ms

1. Calibrated at factory (23°C ambient). Internal adjustments on 100-pA to 10-uA ranges for recalibration.
2. ± 3 digits with minimum damping and 500 picofarads shunting the input.
3. With up to 500 picofarads shunting the input and minimum damping.

DAMPING: Varies rise time from minimum value to approximately 1 second on the 100-nanoampere to 100-picoampere ranges.

ZERO DRIFT: Less than 0.5% of full scale per week; less than 0.05%/°C, after ½-hour warm-up with source voltages greater than 2 volts.

DISPLAY RATE: 24 readings per second maximum (20 per second with 50-Hz units) adjustable to approximately two readings per minute.

INPUT VOLTAGE DROP: Less than 1 millivolt for full-scale display on all ranges when properly zeroed.

LINE FREQUENCY REJECTION: 60 dB (ratio of peak-to-peak current of power line frequency or multiple which will cause less than 1 digit of error, to that error). 100 dB on 100-picoampere to 100-nanoampere ranges with maximum damping. Peak input current should not exceed 20 milliamperes.

MAXIMUM INPUT OVERLOAD:

Transient: 1000 volts for up to 3 seconds.

Continuous: 600 V using a Keithley or other current limited (up to 20 mA) High Voltage Supply.

ANALOG OUTPUT: ± 1 volt from a 500-ohm source for full-scale display. Maximum output, 1 milliampere. Output polarity is opposite input polarity.

PRINTER OUTPUTS AND OUTPUT CONTROLS: Model 4401 accessory provides BCD output and external controls.

CONNECTORS: Input: Teflon-insulated UHF-type. Analog output: Amphenol 80-PC2F. Case ground: Binding post.

POWER: 105-125 or 210-250 volts (switch selected), 60 Hz. 50-Hz models available. 30 watts.

DIMENSIONS, WEIGHT: 5¼" high x 19" wide x 10" deep; net weight, 15 pounds.

Safety Precautions

The following safety precautions should be observed before using this product and any associated instrumentation. Although some instruments and accessories would normally be used with non-hazardous voltages, there are situations where hazardous conditions may be present.

This product is intended for use by qualified personnel who recognize shock hazards and are familiar with the safety precautions required to avoid possible injury. Read the operating information carefully before using the product.

The types of product users are:

Responsible body is the individual or group responsible for the use and maintenance of equipment, for ensuring that the equipment is operated within its specifications and operating limits, and for ensuring that operators are adequately trained.

Operators use the product for its intended function. They must be trained in electrical safety procedures and proper use of the instrument. They must be protected from electric shock and contact with hazardous live circuits.

Maintenance personnel perform routine procedures on the product to keep it operating, for example, setting the line voltage or replacing consumable materials. Maintenance procedures are described in the manual. The procedures explicitly state if the operator may perform them. Otherwise, they should be performed only by service personnel.

Service personnel are trained to work on live circuits, and perform safe installations and repairs of products. Only properly trained service personnel may perform installation and service procedures.

Exercise extreme caution when a shock hazard is present. Lethal voltage may be present on cable connector jacks or test fixtures. The American National Standards Institute (ANSI) states that a shock hazard exists when voltage levels greater than 30V RMS, 42.4V peak, or 60VDC are present. **A good safety practice is to expect that hazardous voltage is present in any unknown circuit before measuring.**

Users of this product must be protected from electric shock at all times. The responsible body must ensure that users are prevented access and/or insulated from every connection point. In some cases, connections must be exposed to potential human contact. Product users in these circumstances must be trained to protect themselves from the risk of electric shock. If the circuit is capable of operating at or above 1000 volts, **no conductive part of the circuit may be exposed.**

As described in the International Electrotechnical Commission (IEC) Standard IEC 664, digital multimeter measuring circuits (e.g., Keithley Models 175A, 199, 2000, 2001, 2002, and 2010) are Installation Category II. All other instruments' signal terminals are Installation Category I and must not be connected to mains.

Do not connect switching cards directly to unlimited power circuits. They are intended to be used with impedance limited sources. **NEVER** connect switching cards directly to AC mains. When connecting sources to switching cards, install protective devices to limit fault current and voltage to the card.

Before operating an instrument, make sure the line cord is connected to a properly grounded power receptacle. Inspect the connecting cables, test leads, and jumpers for possible wear, cracks, or breaks before each use.

For maximum safety, do not touch the product, test cables, or any other instruments while power is applied to the circuit under test. **ALWAYS** remove power from the entire test system and discharge any capacitors before: connecting or disconnecting cables or jumpers, installing or removing switching cards, or making internal changes, such as installing or removing jumpers.

Do not touch any object that could provide a current path to the common side of the circuit under test or power line (earth) ground. Always make measurements with dry hands while standing on a dry, insulated surface capable of withstanding the voltage being measured.


The instrument and accessories must be used in accordance with its specifications and operating instructions or the safety of the equipment may be impaired.


Do not exceed the maximum signal levels of the instruments and accessories, as defined in the specifications and operating information, and as shown on the instrument or test fixture panels, or switching card.


When fuses are used in a product, replace with same type and rating for continued protection against fire hazard.

Chassis connections must only be used as shield connections for measuring circuits, NOT as safety earth ground connections.

If you are using a test fixture, keep the lid closed while power is applied to the device under test. Safe operation requires the use of a lid interlock.

If a  screw is present, connect it to safety earth ground using the wire recommended in the user documentation.

The  symbol on an instrument indicates that the user should refer to the operating instructions located in the manual.

The  symbol on an instrument shows that it can source or measure 1000 volts or more, including the combined effect of normal and common mode voltages. Use standard safety precautions to avoid personal contact with these voltages.

The **WARNING** heading in a manual explains dangers that might result in personal injury or death. Always read the associated information very carefully before performing the indicated procedure.

The **CAUTION** heading in a manual explains hazards that could damage the instrument. Such damage may invalidate the warranty.

Instrumentation and accessories shall not be connected to humans.

Before performing any maintenance, disconnect the line cord and all test cables.

To maintain protection from electric shock and fire, replacement components in mains circuits, including the power transformer, test leads, and input jacks, must be purchased from Keithley Instruments. Standard fuses, with applicable national safety approvals, may be used if the rating and type are the same. Other components that are not safety related may be purchased from other suppliers as long as they are equivalent to the original component. (Note that selected parts should be purchased only through Keithley Instruments to maintain accuracy and functionality of the product.) If you are unsure about the applicability of a replacement component, call a Keithley Instruments office for information.

To clean an instrument, use a damp cloth or mild, water based cleaner. Clean the exterior of the instrument only. Do not apply cleaner directly to the instrument or allow liquids to enter or spill on the instrument. Products that consist of a circuit board with no case or chassis (e.g., data acquisition board for installation into a computer) should never require cleaning if handled according to instructions. If the board becomes contaminated and operation is affected, the board should be returned to the factory for proper cleaning/servicing.

SECTION 1. GENERAL DESCRIPTION

1-1. GENERAL. The Model 440 is a sensitive digital picoammeter with nine ranges from 100 picoamperes to 10 milliamperes full scale plus 100% overranging.

1-2. FEATURES.

a. Stability. Zero drift with time is less than 1 digit per day; drift with temperature is less than one digit per °C, making frequent adjustment unnecessary.

b. Overload Protection. A transient overload of 1000 volts or a continuous overload of 600 volts at up to 20 mA will not damage the instrument.

c. Damping. A front panel DAMPING control provides additional damping of noisy signals on the 100 nano-ampere to 100-picoampere ranges.

d. Digital Display. The digital display provides 3 digits with 0.1 picoampere resolution.

e. Variable Display Rate. A front panel DISPLAY RATE control adjusts from 24 readings/sec. to 2 readings/minute to accommodate the mode of data retrieval.

f. Optional BCD Output and Control Lines. Model 4401 Printer Output Cards are available as an accessory for factory or user installation. This option provides BCD outputs for significant digits, range, polarity, zero check, and overrange. Various remote control lines are also provided. The Output Buffer cards are easily inserted into prewired, premounted, card-edge connectors on the Model 440 chassis.

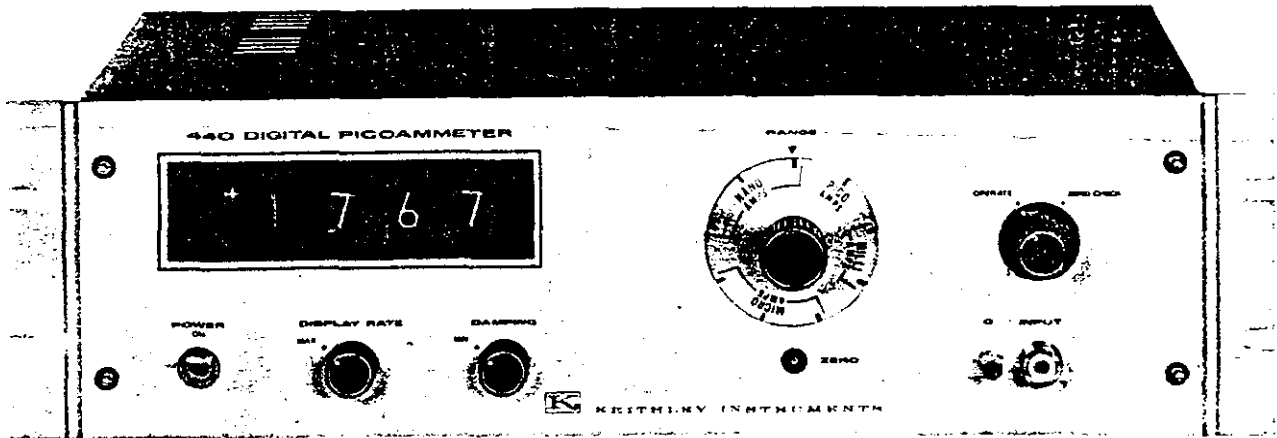


TABLE 1-1.
Front Panel Controls.

Control	Functional Description	Paragraph
RANGE Switch (S1202)	Sets full range sensitivity.	2-3 a
POWER Switch (S102)	Controls power to instrument.	2-3 b
ZERO CHECK (S1201)	Selects Zero Check Mode.	2-3 c
ZERO ADJUST (R1211)	Adjusts the zero offset.	2-3 e
DAMPING Control (R1221)	Adjusts damping.	2-3 d
DISPLAY RATE (R1201)	Adjusts the A/D Conversion rate.	2-3 f

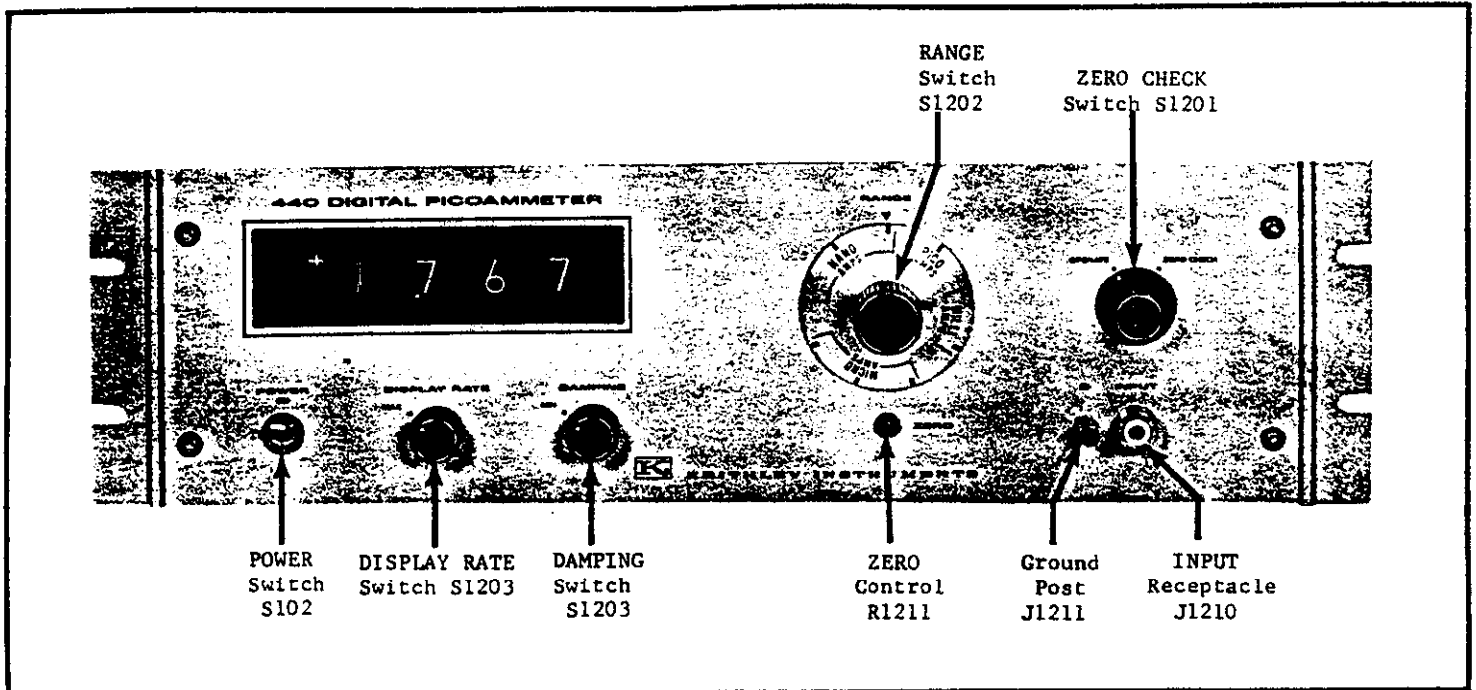


FIGURE 2. Front Panel Controls.

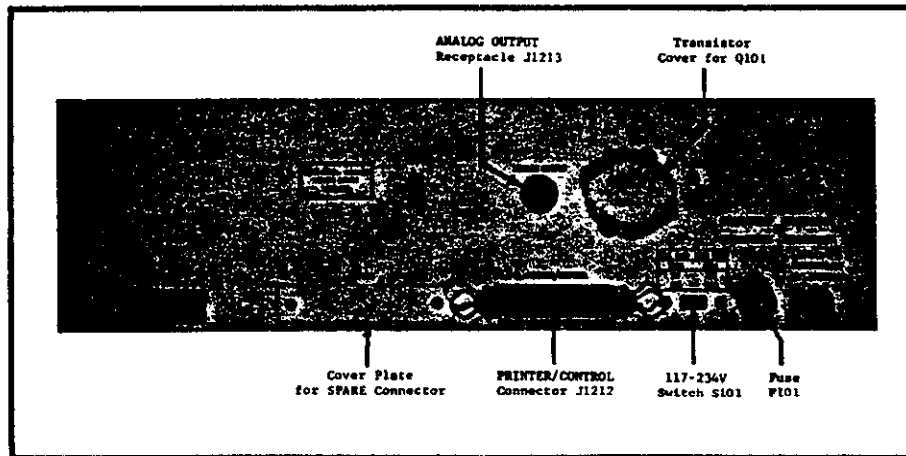


FIGURE 3. Rear Panel Controls and Terminals.

TABLE 1-2.
Rear Panel.

Control or Terminal	Functional Description	Paragraph
117-234V Switch (S101)	Sets 117 or 234V operation.	-
FUSE (F101)	Type 3AG Slow Blow: 117V-3/8A 234V-3/16A	-
ANALOG OUTPUT (J1213)	Provides a recorder output.	2-5
PRINTER/CONTROL (J1212)	Provides BCD Outputs from a 50-pin connector.	2-6
SPARE	Cover plate for mounting an additional 50-pin connector.	2-6

SECTION 2. OPERATION

2-1. INPUT CONNECTIONS.

a. Input Receptacle. The Input connector (J1210) is a Teflon-insulated UHF type (Keithley Part No. CS-64). A mating (CS-49) connector is supplied for making custom cables. The center terminal of the connector is in the Input High terminal while the outer shield is case ground. A separate grounding post "G" is provided for system ground connections.

b. Input Cables. Input connections should be made using coaxial cables which are low-noise types with graphite coating between dielectric and shield braid. For custom length cables Keithley Part No. SC-9 Low Noise Coaxial Cable should be used.

1. Model 2611 Coaxial Cable. This cable is a pre-assembled cable 24 inches long having a UHF male connector on each end.

2. Part No. 19072C Coaxial Test Cable. This cable is a pre-assembled cable 30 inches long having a UHF male connector on one end with alligator clips on the other.

c. Insulation. Use high resistance, low-loss materials such as sapphire, teflon, polyethylene or polystyrene for insulation of the input circuit.

NOTE

The input terminal should be protected from contamination so that the insulation will not be degraded. Clean, dry connections and cables are very important to maintain the value of all insulation materials. Even the best insulation can be compromised by dust, dirt, solder flux, films of oil or water vapor. A good cleaning agent is methyl alcohol, which dissolves most common dirt without chemically attacking the insulation.

2-2. MEASUREMENT CONSIDERATIONS.

a. Noise. The limit of resolution in voltage and current measurements is determined largely by the noise generated in the source. Stray low-level noise is present in some form in nearly all electrical circuits. The instrument does not distinguish between stray and signal currents since it measures the net current. When using the picoampere ranges, consider the presence of low-level electrical phenomena such as thermocouples (thermoelectric effect), flexing of coaxial cables (triboelectric effect), apparent residual charges on capacitors (dielectric absorption), and battery action of two terminals (galvanic action).

1. Thermal EMFS. Thermoelectric potentials (thermal emfs) are generated by thermal gradients between two junctions of dissimilar metals. These can often be large compared to the signal to be measured. To minimize the drift caused by thermal emfs, use pure copper leads wherever possible in the source circuit. Drift can also be minimized by maintaining constant junction temperatures especially by using a large heat sink near the connections. The Keithley accessory Model 1483 Low Thermal Connection Kit contains all necessary materials for making very low thermal copper crimp connections for minimizing thermal effects.

2. AC Electric Fields. The presence of electric fields generated by power lines or other sources can have an effect on instrument operation. AC voltages which are very large with respect to the full-scale range sensitivity could drive the ac amplifier into saturation, thus producing an erroneous dc output. Proper shielding as described in paragraph 2-1, d can minimize noise pick-up when the instrument is in the presence of large ac fields or when very sensitive measurements are being made.

3. Magnetic Fields. The presence of strong magnetic fields can be a potential source of ac noise. Magnetic flux lines which cut a conductor can produce large ac noise especially at power line frequencies. The voltage induced due to magnetic flux is proportional to the area enclosed by the circuit as well as the rate of change of magnetic flux. For example, the motion of a 3-inch diameter loop in the earth's magnetic field will induce a signal of several tenths of a microvolt. One way to minimize magnetic pickup is to arrange all wiring so that the loop area enclosed is as small as possible (such as twisting input leads). A second way to minimize magnetic pickup is to use shielding as described in paragraph 2-1, b.

b. Shielding.

1. Electric Fields. Shielding is usually necessary when the instrument is in the presence of very large ac fields or when very sensitive measurements are being made. The shields of the measurement circuit and leads should be connected together to ground at only one point. This provides a "tree" configuration, which minimizes ground loops.

2. Magnetic Fields. Magnetic shielding is useful where very large magnetic fields are present. Shielding, which is available in the form of plates, foil or cables, can be used to shield the measuring circuit, the lead wires, or the instrument itself.

c. Damping. The amount of high frequency noise which will be observed on the picoammeter is determined by: 1) the noise pickup at the input, and 2) the bandwidth of the amplifier circuit. The front panel DAMPING Control (R1221) controls the amount of filtering from a minimum (MIN) value (as stated in the rise time specification) to a maximum value (approximately 1 second on PICOAMP range) when set fully clockwise.

d. Accuracy. The accuracy is specified in terms of a percent of reading on each range. An additional +1 digit is specified since the A/D conversion has an inherent +1 digit uncertainty. Noise and source resistance conditions should be evaluated as additional measurement considerations.

e. Source Resistance. The value of source resistance can affect the measurement if the loading effect of the picoammeter is significant. To avoid a degradation of zero drift, the picoammeter range should be selected so that the range feedback resistor is much less than the source resistance. The zero drift specification is valid only for source voltages greater than 2 volts. The suggested minimum source resistance for each range is given in Table 2-1. The amount of degradation of the drift specification is given by the following equation.

$$\text{Drift} = \frac{\%/\text{week} \times \text{Nominal Gain}}{\text{Effective Gain}} = \frac{\%/\text{week} (R_S + R_F)}{R_S}$$

$$\begin{aligned} \text{where Nominal Gain} &= K \\ \text{Effective Gain} &= \left(\frac{R_S + R_F}{R_S} \right) (K) \end{aligned}$$

$$\begin{aligned} \text{Example: If RANGE} &= 1 \text{ MICROAMP} \\ R_F &= 1.02 \times 10^6 \\ R_S &= 2 \times 10^6 \end{aligned}$$

$$\text{Then } \frac{R_S + R_F}{R_S} = \frac{3}{2} = 1.5$$

TABLE 2-1.
Suggested Minimum Source Resistances.

RANGE Selected	RANGE Resistance (ohms)	Source Resistance
100 PICO-AMPS	10 ¹⁰	2 x 10 ¹⁰
1 NANO-AMP	10 ⁹	2 x 10 ⁹
10 NANO-AMPS	10 ⁸	2 x 10 ⁸
100 NANO-AMPS	10 ⁷	2 x 10 ⁷
1 MICRO-AMP	1.02 x 10 ⁶	2 x 10 ⁶
10 MICRO-AMPS	1.05 x 10 ⁵	2 x 10 ⁵
100 MICRO-AMPS	1.05 x 10 ⁴	2 x 10 ⁴
1 MILLI-AMP	1050	2 x 10 ³
10 MILLI-AMPS	105	2 x 10 ²

f. Overloads. A unique input circuit provides complete overload protection with fast recovery. The maximum transient overload is 1000 volts for up to 3 seconds. The maximum continuous overload is 600 volts using a current limited supply (up to 20 mA) such as Keithley Models 240A, 245, or 246.

2-3. FRONT PANEL CONTROLS.

a. RANGE Switch (S1202). This switch selects the full scale display range in nine decade steps. The dial is designated in engineering units, that is, PICO AMPS, NANO AMPS, MICRO AMPS, and MILLI AMPS.

b. POWER Switch (S102). This switch controls the line power to the instrument.

c. OPERATE/ZERO CHECK Switch (S1201). This switch selects either normal operation or zero check operation.

d. DAMPING Control (R1221). This control varies the response time of the picoammeter on the PICO AMP and NANO AMP ranges.

e. ZERO Control (R1211). This control adjusts the zero display. The ZERO Control should be used when in ZERO CHECK mode.

f. DISPLAY RATE Control (R1201). This control adjusts the A/D converter conversion rate from 24 readings/sec. (MAX) to 2 readings/min (approx).

2-4. OPERATING PROCEDURE.

a. Preliminary Procedure.

1. Check the 117-234V Switch (S101) on the rear panel for proper line voltage.
2. Check for proper rated fuse.
3. Connect the power cord, place the POWER switch ON, and allow a 30 minute warmup for critical measurements.
4. Adjust the ZERO Control (R1211) as necessary. Zero is indicated by alternately flashing ± polarity lights.
5. Connect the source as described in paragraph 2-1.

b. Measurements. The Model 440 measures current over a full-scale range from 10 milliamperes (10⁻² A) to 100 picoampere (10⁻¹⁰ A) with resolution to 0.1 picoampere (10⁻¹³ A). The display will indicate either a positive or negative input current automatically. (A positive current is defined as a positive "conventional current" applied at Input High with respect to case ground.)

TABLE 2-2.
Decimal Point Display.

RANGE	Decimal Point Position
100 PICO-AMPS	XXX.X
1 NANO-AMP	X.XXX
10 NANO-AMPS	XX.XX
100 NANO-AMPS	XXX.X
1 MICRO-AMP	X.XXX
10 MICRO-AMPS	XX.XX
100 MICRO-AMPS	XXX.X
1 MILLI-AMP	X.XXX
10 MILLI-AMP	XX.XX

c. Digital Display. The display has three digits plus one for overrange indication. The RANGE Switch selects the range sensitivity and the location of the decimal point. Table 2-2 shows the position of the decimal point for each RANGE position. In order to interpret the full scale current range, the ranges are shown expressed in scientific notation in Table 2-3.

TABLE 2-3.
Typical Full Scale Readings.

Input Current	RANGE	Display	Exponent
1×10^{-10} A	100 PICO-AMPS	100.0	$\times 10^{-12}$
1×10^{-9} A	1 NANO-AMP	1.000	$\times 10^{-9}$
1×10^{-8} A	10 NANO-AMPS	10.00	$\times 10^{-9}$
1×10^{-7} A	100 NANO-AMPS	100.0	$\times 10^{-9}$
1×10^{-6} A	1 MICRO-AMP	1.000	$\times 10^{-6}$
1×10^{-5} A	10 MICRO-AMPS	10.00	$\times 10^{-6}$
1×10^{-4} A	100 MICRO-AMPS	100.0	$\times 10^{-6}$
1×10^{-3} A	1 MILLI-AMP	1.000	$\times 10^{-3}$
1×10^{-2} A	10 MILLI-AMPS	10.00	$\times 10^{-3}$

2-5. ANALOG OUTPUT. The analog output on the rear panel (J1218) provides a voltage of 1.05 volts corresponding to 1.000 on any range. Since this output has a source resistance of 499 ohms, the recording device must have a load resistance greater than 10 kilohms to obtain 1.000 volt for full range. If a recorder such as the Keithley Model 370 is available, an Isolation Amplifier (such as Keithley Model 399) must be used to provide up to 1 milliamper current for full range.

2-6. DIGITAL OUTPUT.

a. General.

1. The Model 440 has provision for the installation of output buffer printed circuit boards to obtain Binary Coded Decimal (BCD) outputs. Two 44-pin card-edge connectors are installed and completely wired on the main PC board.

2. A factory-wired 50-pin PRINTER/CONTROL Connector is provided on the rear panel. This connector is wired to provide signals as described in Table 2-4. This Amphenol (Blue Ribbon Series) connector can be ordered with special wiring configurations.

3. Output buffer cards available from Keithley as Model 4401 Printer Output Cards, may be ordered factory installed or ordered at a later date for user installation, since no soldering or rewiring is required. These Output Cards are available with other codes (Standard Code is 1-2-4-8) on a custom design basis.

b. Output Codes and Levels.

1. The PRINTER/CONTROL Outputs are Binary Coded Decimal (BCD) signals with 1-2-4-8 Standard Code.

2. The Standard signal levels are as follows:
Logic "0" 0.4 volt
Logic "1" +10 volts at up to 1 milliampere

c. Output Information.

TABLE 2-4.
Model 4401 Printer Output Cards.

Model 4401 Printer Output Cards: Provide BCD output and external control of Model 440 may be purchased installed or separately for field installation (no wiring required).
Printer Outputs: BCD positive output represents each of the four digits, exponent, sensitivity, polarity and overrange. Standard code is 1-2-4-8. "0" = 0.4 volt; "1" = +10 volts at up to one milliampere; 0 = 0000.
Print Command: Positive pulse of 14 volts from a 2200-ohm source with 1 volt per microsecond rise time, 100 microseconds minimum pulse width. Print command given after each A to D conversion.
Remote Controls:
Hold #1: Closure to ground inhibits A to D conversion at that instant.
Hold #2: Closure to ground inhibits A to D conversion after reading has been completed.
Trigger: Closure to ground initiates one conversion when in Hold #2. Integration period starts 8.3 ms (10 ms on 5-Hz models) after "Trigger" or release of Hold #2.
Connector: 50-pin Amphenol Micro-Ribbon mounted on Model 440. Output mating connector supplied with 4401.

NOTE

The term "Closure to Ground" or "Grounded control line" means a short to common directly or through a saturated NPN transistor ($V_{CE} +0.4V$). Only the "COMMON" as supplied at the PRINTER/CONTROL connector should be used for closures to ground.

1. Full Scale Magnitude. The magnitude of the reading is indicated by BCD outputs which correspond to the three front panel display lights as shown in Table 2-5.

TABLE 2-5.
Full Scale Magnitude

Connector Pin No.	Output	Decimal Digits
1	1×10^0	1
2	2×10^0	2
26	4×10^0	4
27	8×10^0	8
3	1×10^1	1
4	2×10^1	2
28	4×10^1	4
29	8×10^1	8
5	1×10^2	1
6	2×10^2	2
30	4×10^2	4
31	8×10^2	8

2. Overrange Indication. Overrange is indicated by the fourth (from the right) display light and corresponding BCD output as shown in Table 2-6. Overload is indicated by a blanked display and corresponding BCD output. The output at pin 33 will be a logic "1" when the magnitude of the digital display exceeds 1999.

TABLE 2-6.
Overrange and Overload Outputs.

Connector Pin No.	Output	Decimal Digits
7	1×10^3	1
8	Common (2×10^3)	0
32	Common (4×10^3)	0
33	Overload (8×10^3)	8

3. Polarity Indication. The polarity is indicated automatically by the Polarity Indicator and corresponding BCD output as shown in Table 2-7. Additional BCD levels are available at pins 14 and 39 for use with some printers. The zero check mode is indicated by a BCD output from pin 38. Four pins may be used to obtain BCD polarity codes for external printers, where 1010 = + and 1011 = - printer characters.

TABLE 2-7.
Polarity Output.

Connector Pin No.	Output	Decimal Digits
13	Polarity (1×10^0)	1
14	+15V	2
38	Zero Check (4×10^0)	4
39	+15V	8

4. Range Indication (Exponent). The range or exponent has a corresponding BCD output as shown in Table 2-8. The print-out of the RANGE Switch exponent uses 2 columns to represent information for exponents from 00 thru 10.

TABLE 2-8.
Range or Exponent Indication.

Connector Pin No.	Output	Decimal Digits
9	1×10^0 Range	1
10	2×10^0 Range	2
34	4×10^0 Range	4
35	8×10^0 Range	8

d. External Control.

1. General. To obtain optimum system performance, it is often desirable to operate the Model 440 synchronously with other digital equipment, such as printers, paper tape punches, computers and other data handling devices. The Model 440 with 4401 Printer Cards installed provides several printer control commands for the purpose of synchronizing external equipment to achieve maximum conversion rates.

2. Applications. Several alternate approaches may be used in designing the overall system control scheme.

a) The Model 440 can be used to provide master control of external devices so that the maximum possible conversion rates can be obtained.

b) An external device can also be used for master control such as a high speed printer.

c) A completely independent "master clock" can be used for system control for maximum flexibility.

3. Description of external controls.

a) "HOLD 1". This control inhibits A to D conversion at the instant a closure to ground is made. The conversion cycle will resume immediately when the "HOLD 1" line is opened.

b) "HOLD 2". This control inhibits A to D conversion after a complete reading cycle. Further conversions are inhibited as long as a closure to ground is made. The conversion cycle will resume immediately when the "HOLD 2" line is opened.

c) "TRIGGER". This control initiates one complete conversion when "HOLD 2" line is grounded. Closure to ground may be momentary or any longer duration to initiate a conversion

d) "PRINT COMMAND". This control provides a positive going pulse of 14 volts after a complete A to D conversion is made and all data line outputs are final readings.

4. Power Supply Voltages. The PRINTER/CONTROL Connector also provides power supply voltages of +15, -15, and +3.6 volts as shown in Table 2-9.

TABLE 2-9.

Voltage	Maximum Load Current	Pin No.
+3.6 V	+50 mA	18
+15 V	+10 mA	14,17,39
-15 V	-10 mA	42

5. High and Low Reference. The PRINTER/CONTROL Connector provides two reference voltages, High (+8V) and Low (+2V). These levels may be used to define the "HIGH" and "LOW" digital output states for external printing or computer devices.

e. Summary of Digital Outputs and Controls.

1. Standard Output Codes and Levels. The standard output code for Model 4401 Printer Output Cards is 1-2-4-8 Binary Coded Decimal (BCD). A binary coded decimal digit is represented by a four-bit binary code as shown in Table 2-12. Refer to Figure for a circuit diagram of the Model 4401 Standard Printer Output buffer stage.

2. PRINTER/CONTROL Connector. The PRINTER/CONTROL Connector used on the Model 440 provides for connections to 50 pins as shown in Table 2-11. The mating connector supplied with Model 4401 is an Amphenol Part Number 57-30500 or Keithley Part Number CS-220, available on special order.

3. Analog-to-Digital Conversion Cycle.

a) The analog-to-digital conversion cycle can be initiated in any one of three ways.

1.) DISPLAY RATE Control Set at MAX. With the DISPLAY RATE Control set at MAX, the end of one complete conversion triggers a second conversion to obtain the maximum conversion rate of 24 readings per second.

2.) DISPLAY RATE Control Set at Other Than MAX. With the DISPLAY RATE Control set at some position other than MAX, (uncalibrated control setting) the end of one complete conversion triggers a second conversion which is delayed by a specific time interval (DELAY). The time delay is a function of the position of a continuously variable control to provide a conversion rate from 24 readings per second to 2 readings per minute.

3.) "HOLD 2" with TRIGGER Control. With the "HOLD 2" command grounded, a closure to ground of the "TRIGGER" command initiates one complete conversion cycle. A second conversion will follow only if the TRIGGER command is removed and re-applied a second time. The maximum conversion rate using an external trigger is 24 readings per second.

TABLE 2-10.
Typical Digital Outputs.

Front Panel Digital Display	RANGE Setting	Polarity	Significant Digit & Overload	Mag.	Range Exp.	Interpretation
-093.6	PICO-AMP	-	0	936	-	-0.936 x 10 ⁻¹⁰
+0.275	NANO-AMP	+	0	275	09	+0.275 x 10 ⁻⁹
-17.31	NANO-AMP	-	1	731	08	-1.731 x 10 ⁻⁸
+122.3	NANO-AMP	+	1	223	07	+1.223 x 10 ⁻⁷
+0.096	MICRO-AMP	+	0	096	06	+0.096 x 10 ⁻⁶
-07.81	MICRO-AMP	-	0	781	05	-0.781 x 10 ⁻⁵
+165.2	MICRO-AMP	+	1	652	04	+1.652 x 10 ⁻⁴
-1.921	MILLI-AMP	-	1	921	03	-1.921 x 10 ⁻³
-06.37	MILLI-AMP	-	0	637	02	-0.637 x 10 ⁻²
+(blank)	MICRO-AMP	+	8	000	05	positive overload

TABLE 2-11.
 PRINTER/CONTROL Connector Pin Identification.

Pin No.	Output	Function	Pin No.	Output	Function
1	1×10^0	Data	26	4×10^0	Data
2	2×10^0	Data	27	8×10^0	Data
3	1×10^1	Data	28	4×10^1	Data
4	2×10^1	Data	29	8×10^1	Data
5	1×10^2	Data	30	4×10^2	Data
6	2×10^2	Data	31	8×10^2	Data
7	1×10^3	Data	32	Common	---
8	Common	---	33	8×10^3	Overload
9	1×10^0	Range	34	4×10^0	Range
10	2×10^0	Range	35	8×10^0	Range
11	1×10^1	Range	36	Common	---
12	Common	---	37	Common	---
13	1×10^0	Polarity	38	1×10	Zero Check
14	+ 15V	---	39	+ 15V	---
15	Blank	---	40	Blank	---
16	Blank	---	41	Blank	---
17	+ 15V	---	42	- 15V	---
18	+ 3.6V	---	43	Common	---
19	Blank	---	44	Grounded	Hold #1
20	Blank	---	45	Grounded	Hold #2
21	Blank	---	46	Grounded	Trigger
22	Blank	---	47	Blank	---
23	+ 14V Pulse	Print Command	48	Blank	---
24	+ 8V	Hi Reference	49	Blank	---
25	+ 2V	Low Reference	50	Blank	---

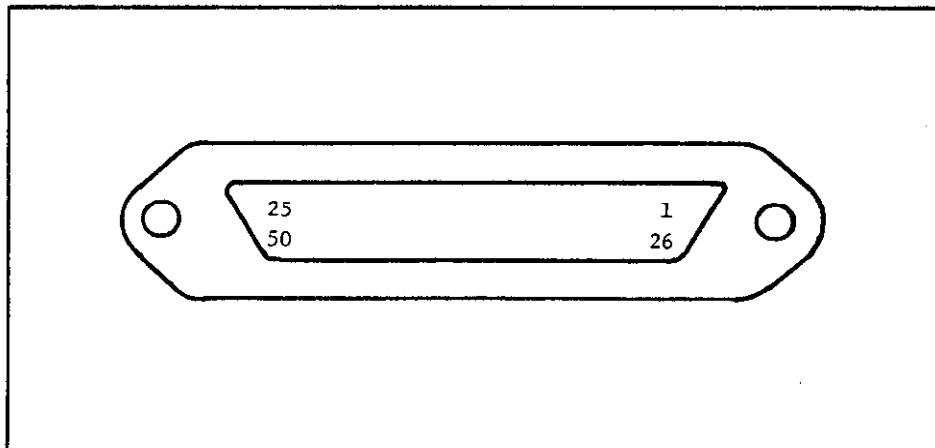


FIGURE 4. Printer/Control Connector.

b) Conversion Cycle Timing. The Conversion Cycle is composed of three timing periods, namely, Integrator Zero, Integrator Sampling, and A-D Counting period. Refer to Timing Diagram Figure

1.) Integrator Zero Period (ZERO). When a trigger pulse initiates a new conversion cycle, the Integrator circuit is zeroed for a period not to exceed 8.33 milliseconds for 60 Hz operation. The Integrator Zero Period is 10.00 milliseconds for 50 Hz operation.

2.) Integrator Sampling Period (INTEGRATE). The Integrator Sampling Period follows automatically the Integrator Zero Period and lasts for a duration of 16.67 milliseconds for 60 Hz operation. The Integrator Sampling Period lasts for a duration of 20.00 milliseconds for 50 Hz operation.

3.) A-D Counting Period (COUNT). The A-D Counting Period is initiated immediately following the Integrator Sampling Period. The actual counting time duration will depend on the actual integrator voltage up to a maximum of 2000 clock pulses or 16.67 milliseconds. Following the counting period a Buffer/Storage command is automatically generated in order to store the new reading in the output registers.

4.) PRINT COMMAND. The PRINT COMMAND signal is used to trigger external printers or paper tape punches. The PRINT COMMAND signal is delayed 10 microseconds to allow the Storage Registers to settle. The PRINT COMMAND pulse width is approximately 100 microseconds with a 1 volt/microsecond rise time into a 1 kilohm load. The pulse amplitude is approximated by the following equation:

$$e_o = 14R/(R + 2200)$$

where R is the output load resistor.

The "OFF" state is less than +0.4 volt with approximately 1 milliamperes sink current.

NOTE

The data stored in the Output Registers will not change for at least 25 milliseconds for 60 Hz operation. If the front panel controls are changed, the Zero Check BCD output will be changed only.

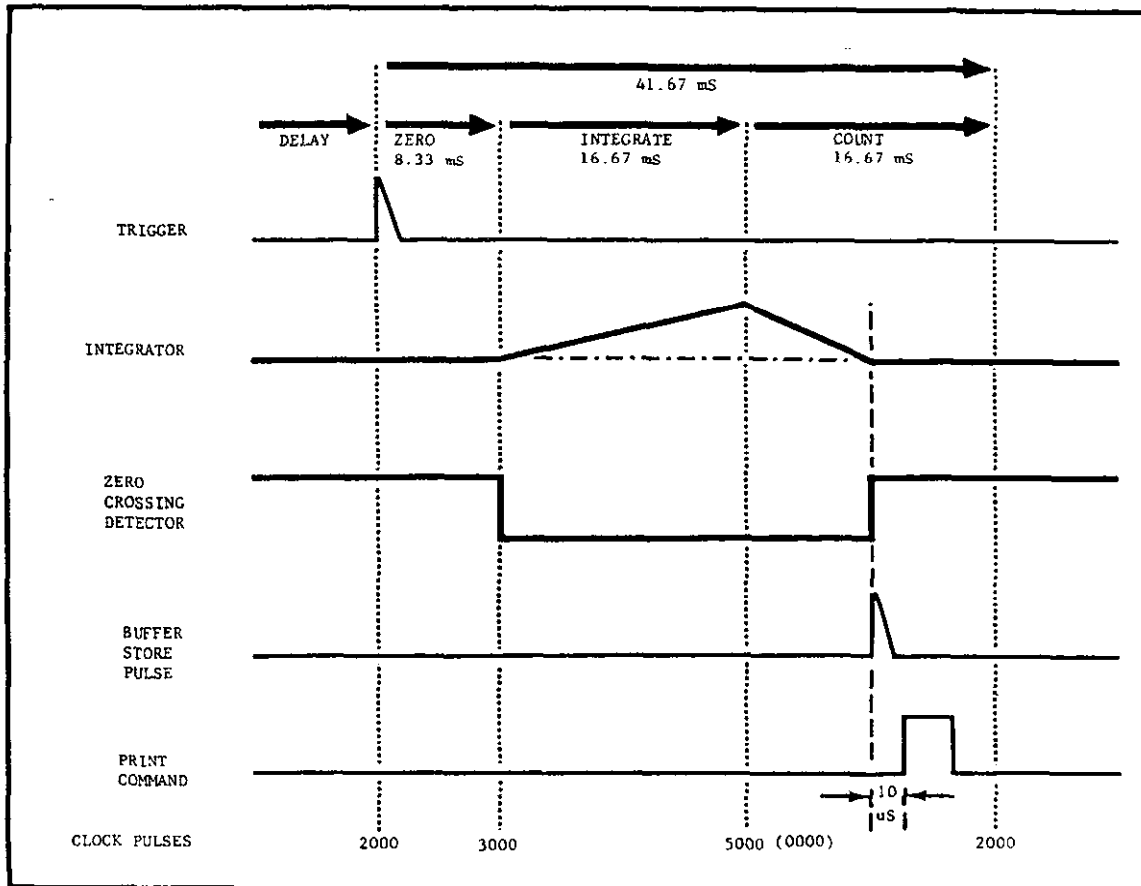


FIGURE 5. Timing Diagram.

SECTION 3. CIRCUIT DESCRIPTION

3-1. GENERAL. The Model 440 Digital Picoammeter consists of two separate sections packaged together in one chassis for optimum performance and convenience: a sensitive picoammeter and an analog-to-digital converter.

a. Picoammeter. The picoammeter is a linear dc amplifier connected as a feedback ammeter with nine current ranges.

b. A/D Converter. The analog-to-digital converter is a dual slope, integrating type converter with medium conversion rate, cold cathode readout tubes, BCD output options and external control.

3-2. PICOAMMETER

a. Operation. The picoammeter consists of a sensitive, linear dc amplifier with a 1 volt full scale sensitivity. The amplifier provides an analog output up to 2 volts for a 100% overrange display. The RANGE resistors are connected across the feedback of the amplifier. A simplified diagram of a feedback ammeter is shown in Figure 6.

b. Circuitry. The amplifier input stage is a pair of insulated-gate, field-effect transistors (IGFET) designated Q1201 and Q1202 connected in a differential configuration. The circuit designated 21850B is a special overload protection circuit on the Input FET board (which connects to J1201). The gate of Q1201 is connected to the input through 10M ohms. The gate of Q1202 is referenced to ground. Potentiometer R1205 is an internal COARSE ZERO adjustment. Potentiometer R1206 is an internal Balance control. Transistors Q1203-Q1204 form a second differential amplifier stage. Potentiometer R1211 is a front panel ZERO adjustment. Transistor Q1205 and emitter follower transistor Q1206 provide sufficient gain for the analog output and A/D converter. The analog output is connected through R614 (499 Ω) to the dc amplifier output (the junction of R1220 and D1203). The full scale current sensitivity is determined by the range resistor connected across the feedback. The range resistance R_F is composed of a fixed resistance R_1 plus a calibration adjustment resistance R_2 as shown in Figure 7. Potentiometer R1221 controls the amount of damping on the PICO AMP and NANO AMP ranges only. Switch S1203 defeats the damping feature when set to "MIN" or open position. The damping circuit is shown in Figure 8. When switch S1201 is set to ZERO CHECK the picoammeter is connected as shown in Figure 9. It should be noted that the feedback resistor R_F is shorted out and the input High terminal is shorted to ground.

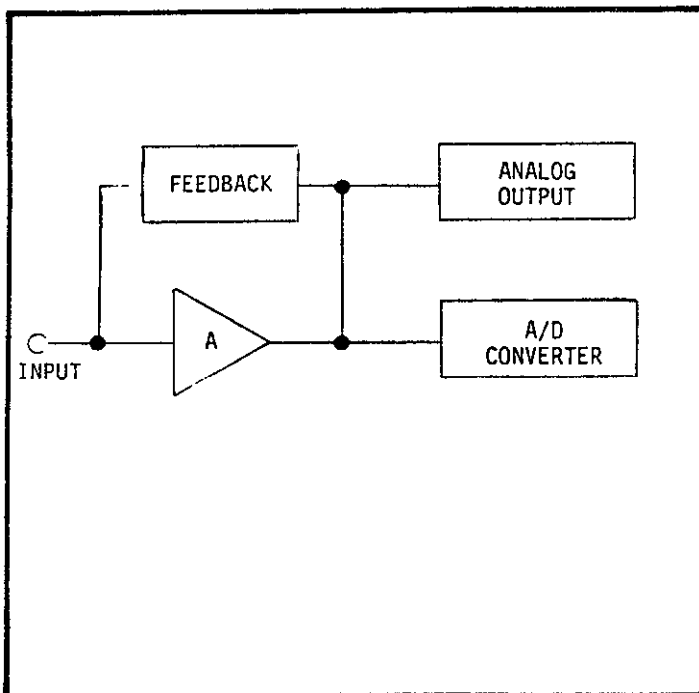


FIGURE 6. Simplified Diagram of Feedback Ammeter.

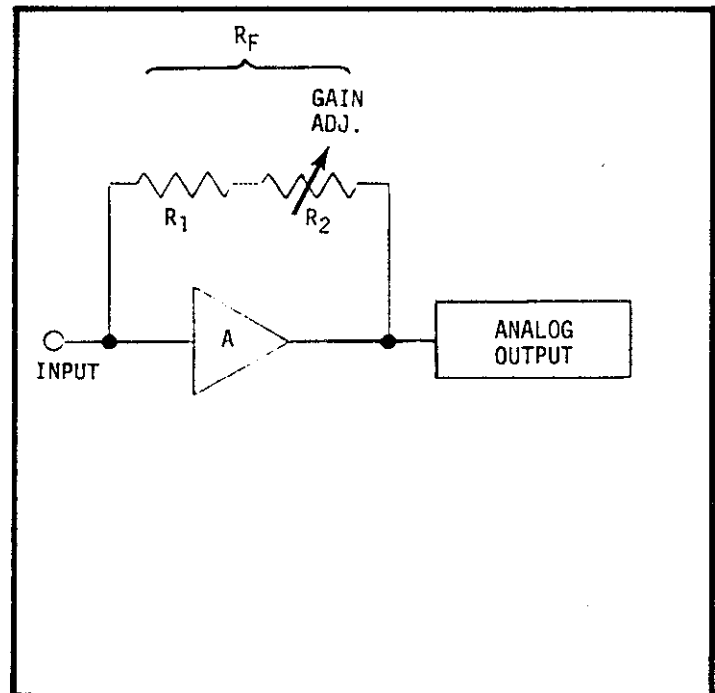


FIGURE 7. Gain Calibration of Amplifier.

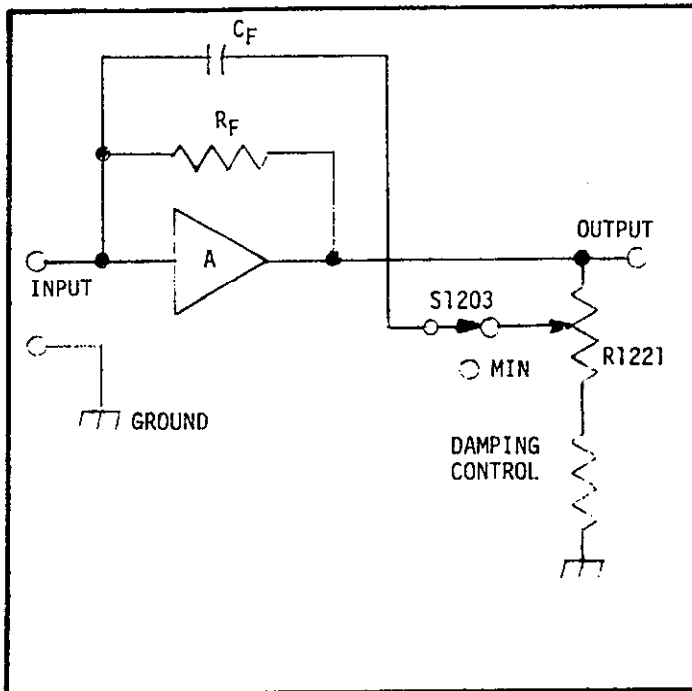


FIGURE 8. Damping for Ammeter.

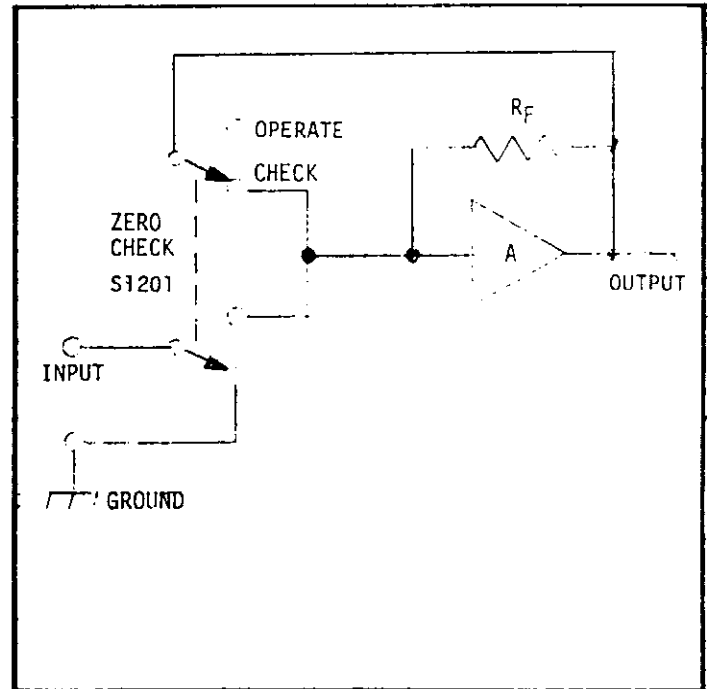


FIGURE 9. Zero Check Operation.

3-4. ANALOG-TO-DIGITAL CONVERTER OPERATION.

a. General. A detailed block diagram of the A/D converter is shown in Figure 10. The analog-to-digital converter operates using a dual slope integration technique which has inherent line frequency noise rejection. The analog signal is applied to the integrator for one complete line frequency cycle. The analog signal is then removed from the integrator input. The voltage on the integrator is then driven to zero to complete the voltage-to-time conversion. The time interval to reach a "Zero Crossing" is counted and displayed on the "Readout" in proportion to the original analog signal. The sequence is then repeated for a second reading. A Timing Diagram is shown in Figure 5.

b. Circuits. The A/D Converter is composed of nine major circuits which perform the analog-to-digital conversions and provide various control commands.

1. Oscillator or Clock
2. BCD Counter
3. Delay Hold
4. Program/Decoder
5. Integrator
6. Zero Crossing Detector
7. Buffer/Storage Register
8. Decoder/Driver
9. Numerical Readout

c. Oscillator or Clock. The Oscillator produces pulses at a rate of 120 kilohertz for Electrometer using 60 Hz line power. The 50 Hz units have a pulse rate of 100 kilohertz.

d. BCD Counter. The BCD Counter counts the Clock pulses with a total range of 5000 counts. The Counter is composed of 4 individual counters designated 1, 10, 100, and 1000.

1. The "1", "10", and "100" counters have a capacity of ten counts each.
2. The "1000" counter has a capacity of five counts.
3. The total capacity of all four counters is 5000 counts.

e. Delay Hold. The Delay Hold circuit controls the DISPLAY RATE function and external Hold and Trigger commands as shown in Figure 11. It determines the length of time between A/D conversions when the front panel DISPLAY RATE Control is set to any position other than MAX. The clock is stopped at the beginning of the ZERO (2) period for a time determined by the rotation of the DISPLAY RATE Control. It ensures that when the Hold 2 is grounded the conversion in process will be completed and new data will be stored in the output storage register. Then the clock will be inhibited at the beginning of the ZERO period (2). The instrument will remain in this condition indefinitely until Hold 2 is released or until Trigger is shorted to ground. After conversion, the instrument will again be inhibited at the beginning of the period (2). If both Switches S₁ and S₂ are closed, the conversion cycle works in the following manner. After the previous conversion has been completed, the leading edge of the program command (2) resets the flip-flop. In this new condition Q is high and, therefore, the clock gives no output. At that time, the unijunction timer begins its cycle and, after the appropriate time, produces a pulse that sets the flip-flop. This changes Q to a low state and a new conversion cycle begins. After the reading has been completed, the (2) command again resets the flip-flop and the timer again issues a new pulse to set the flip-flop.

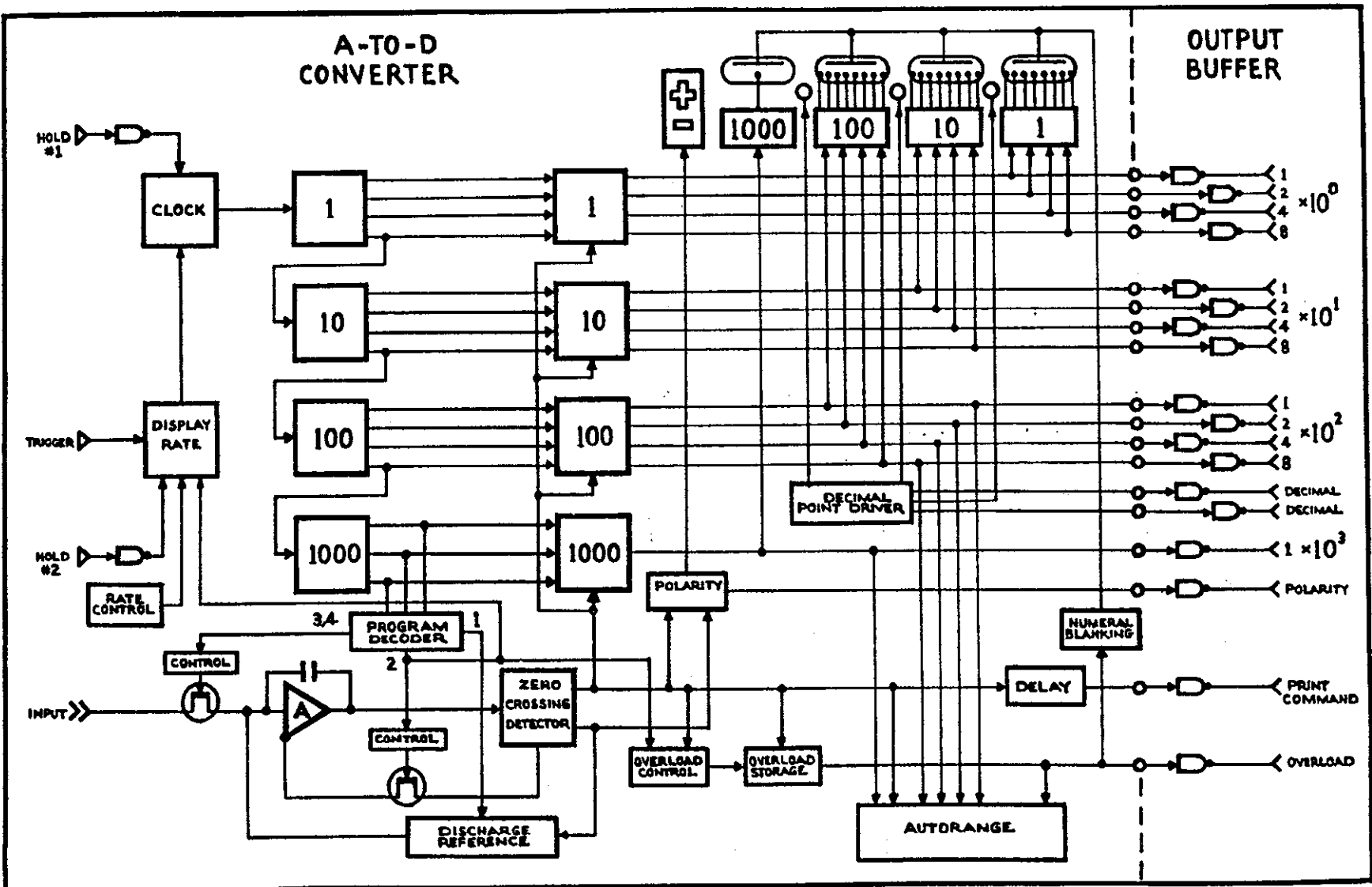


FIGURE 10. Block Diagram of A/D Converter.

f. Program/Decoder. The Program/Decoder circuit produces event commands to control the overall sequence of events for a complete A/D conversion.

g. Integrator. The Integrator circuit operation is composed of three periods.

1. Zero Period. During this period the integrator amplifier is zeroed by the closure of switch S_b . Switches S_a , S_c , and S_d are open to prevent integrator charging as shown in Figure 12.

2. Integration Period. During this period, switch S_b , S_c , and S_d are open. Switch S_a is closed to permit charging by the analog voltage for a period of one line cycle.

3. Discharge Period. During this period, switch S_a is open to prevent further charging by the analog signal. Either switch S_c or S_d is closed to drive the Integrator voltage to zero. A reference current of opposite polarity to the input current is applied through either switch S_c or S_d . The Discharge Period ends when the Zero Crossing Detector circuit detects a zero Integrator output.

h. Zero Crossing Detector. The Zero Crossing Detector circuit provides a "High" or "Low" level output depending on the polarity of the detected input. Refer to Table 3-1 for a description of voltage outputs.

TABLE 3-1.
Zero Crossing Detector Output Levels.

M	N	B	C
0V	-0.5V	+1.5V	0V
0V	+3.5V	0V	+1.5V

i. Buffer/Storage Register. The Buffer/Storage Register is composed of "flip-flops" arranged to copy the states of the various BCD counters. The Buffer/Storage Register requires a Buffer Store command before any information can be transferred. The "flip-flop" circuits provide coded information for Decoder/Driver and the BCD outputs.

j. Decoder/Driver. The Decoder/Driver circuit decodes the BCD information from the Storage Register into ten-line decimal code. The Driver circuit then drives the proper numeral in each of the Numerical Readout tubes.

k. Numerical Readout. The Numerical Readout consists of four numerical indicators and one polarity indicator driven by the Decoder/Driver, Polarity and Overload Drivers.

1. Summary of Operation. The operation of the A/D Converter can be described by considering a typical conversion cycle.

1. The Oscillator or Clock provides pulses at a rate of 120 kilchertz.

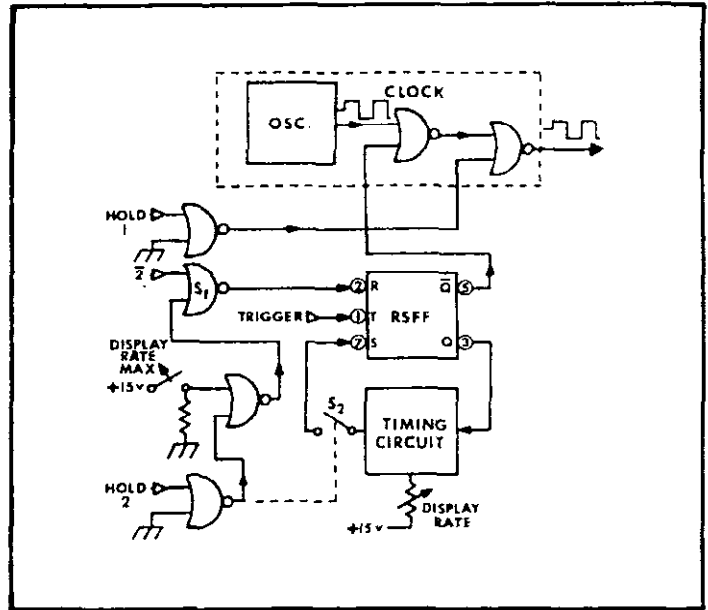


FIGURE 11. Delay Hold Circuit

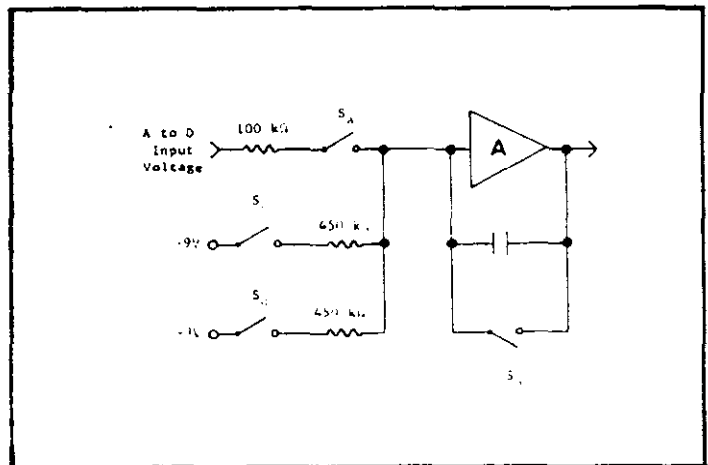


FIGURE 12. Integrator Circuit

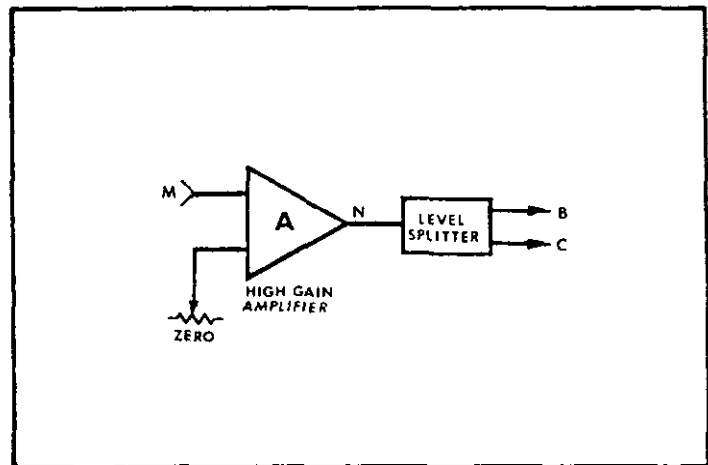


FIGURE 13. Zero Crossing Detector

2. The Delay Hold circuit gates the output of the Oscillator depending on the state of the "RS flip-flop" and the "Hold 1" control line. A unijunction timing circuit provides a delay period before a conversion is initiated. The time delay is selected by the front panel DISPLAY RATE Control.

3. The BCD Counter serves as a master timing control for the A/D conversion cycle. The timing is accomplished by the "1000" counter which has five coded states, namely 0, 1, 2, 3, and 4.

4. The Program/Decoder controls the sequence of commands based on the coded states from the BCD Counter. The decoded commands are described as shown in Table 3-2. The "2" command initiates the integrator ZERO period which removes any residual charge on the integrator capacitor. The "3,4" command initiates the INTEGRATE period which permits an integration of the analog signal. At the end of the INTEGRATE period, the "0,1" command initiates the COUNT period.

TABLE 3-2.

Command	Function
2	ZERO
3,4	INTEGRATE
0,1	COUNT

5. When the "3,4" command is given, the integrator is charged by the analog signal for a period of 1 line cycle of 16.67 milliseconds.

6. When the "0,1" command is given, the analog signal is removed and the integrator output is driven to zero by a reference current. The Zero Crossing Detector senses a zero crossing of the integrator output and removes the reference current. The Detector provides outputs as shown in Table 3-1. The +1.5 volt levels are provided for control of the Integrator and Polarity Storage Register. A pulse command is also produced to initiate a Buffer/Store and Print Command output.

7. When the Buffer/Store command is given, the Buffer/Storage Register copies the BCD Counter-states at that instant of time. The BCD coded information in the Register is then available for the Decoder/Driver and external printout.

8. The Decoder/Driver decodes the Buffer/Storage output and drives the Numerical Readout for a digital display.

9. The BCD Output information is available at the Model 4401 Buffer Card outputs in the form of positive (+10 volt) true logic (1-2-4-8 BCD Code).

10. The conversion cycle is complete when the BCD Counter reaches 2000 counts and the Program/Decoder provides a "2" command to initiate a new conversion cycle.

11. The Unijunction Timing Circuit will initiate the ZERO period after a present time delay controlled by the front panel DISPLAY RATE Control.

3-5. ANALOG-TO-DIGITAL CONVERTER CIRCUITRY.

a. General. The circuits described in this section are located on the various Sub-Assemblies listed below and in Table 7-2 of Section 7.

1. Oscillator Board, PC-217.
2. Integrator Board, PC-219.
3. Display/Overload Board, PC-241.
4. Readout Board, PC-229.
5. Polarity Board, PC-207.
6. Output Buffer Board, PC-218.
7. Output Buffer Board, PC-209.

b. Oscillator Board. The Oscillator Board contains portions of three circuits: the Oscillator (clock) circuit, the Delay/Hold circuit, and the Discharge-Voltage Current Source circuit.

1. Oscillator Circuit. Transistor Q501, crystal Y501, and phase shift capacitors C501, and C502 form a "Colpitts" type oscillator. Capacitors C503 and C504 are used for trimming the oscillator frequency. The output is taken from the collector of transistor Q510 which is a common emitter gain stage used for squaring the output. Transistor Q507 serves as an emitter-follower to reduce output impedance.

2. Delay/Hold Circuit. There are three major components in the Delay/Hold circuit: an "RS" type flip-flop circuit, a "Unijunction" timing circuit and a "Hold" gate circuit.

a). "RS" Type Flip-Flop Circuit. The flip-flop gates the output of the clock depending on the inputs at pins R and S. The RS flip-flop is constructed of gates QA501B and QA501C. The pins are identified as shown in Figure 16.

b). "Unijunction" Timing Circuit. The unijunction timing circuit determines the time delay between conversion cycles to obtain the desired conversion rate as determined by the front panel DISPLAY RATE Control. The circuit is composed of transistors Q513 and Q514, timing capacitor C507, and timing resistors R532 and R1269 (DISPLAY RATE Control potentiometer located on the front panel).

c). "HOLD" Gate Circuit. Refer to Figure 13 for identification of switches S₁ and S₂. The "HOLD" gate circuit is composed of gates QA501A, QA501D, and QA502 (A, B, C, and D). Switch S₁ is gate QA501A and is controlled by either the "HOLD 2" external line or the "MAX" position on the DISPLAY RATE Control. Switch S₂ is the transistor Q513 which is controlled by either the "Q" output of the flip-flop or the "HOLD 2" external line. The "HOLD 1" circuit is composed of gates QA502B and QA502C.

3. Discharge-Voltage Current Source Circuit. The positive current source composed of transistors Q502 and Q506 delivers a constant current of +7.5 milliamperes to drive a 9-volt zener diode D602 (located on the Integrator Board, PC-246) when +REF Terminal (Pin 13) is greater than +0.7 volt. The negative current source composed of transistors Q508 and Q509 delivers a constant current of -7.5 milliamperes to drive a 9-volt zener diode D601 also located on the Integrator Board, PC-219.

c. Integrator Board. The Integrator Board consists of two major circuits: the Integrator circuit and the Zero Crossing Detector circuit.

1. Integrator Circuit. The operation of the Integrator is controlled by the positions of switches S_a , S_b , S_c , and S_d . Switch S_a is transistor Q605. Switch S_b is transistor Q606. Transistors Q601 through Q604 are control circuits arranged to turn off the proper FET switches depending on the signals at pins 11 and 12. The integrator amplifier consists of transistors Q607 and Q608 and integrated circuit QA601. The feedback capacitor is C603. Switches S_c and S_d (located on the Oscillator Board, PC-217) control the current for 9-volt zener diodes D601 and D602. Resistors R602 through R611 are full-scale calibration resistors.

2. Zero Crossing Detector Circuit. (Refer to Figure 18). The high gain amplifier is composed of cascaded amplifiers QA602 and QA603. The zero adjustment network consists of resistors R645, R646, R648, R649, and R650, and diodes D611 and D612. Transistor Q609 and other components form a 6-volt supply for QA603 and the zero circuit. The level-splitter circuit consists of diodes D613 and D614, resistors R651, R652, and R653 and gates QA604 (A, B, C).

d. Display/Overload Board. The Display/Overload Board contains a BCD Counter ("1000" counter), a Program Decoder circuit, and an Overload Control circuit.

1. The BCD Counter is composed of "J-K" flip-flop circuits QA301 and QA302.

2. The Program Decoder circuit is composed of gates QA303C and QA303D (3,4 Command) and QA304A, QA304B, QA304C, QA304D, QA305A, QA305B, QA305C, QA305D, QA303E, QA306A, QA306B, and QA306C (0,1 & 2 Commands).

3. The Overload Control circuit provides an overload signal if a zero crossing does not occur in the Discharge Period (0,1). It controls the Numerical Blanking circuit and provides an Overload Print signal.

e. Readout Board. The Readout Board contains Decade Counter circuits, Buffer Storage circuits, and Decoder Driver and Display circuits.

1. Decade Counter Circuits. Each decade counter is composed of four J-K flip-flops. Circuits QA401 through QA406 are Dual J-K Flip-Flop integrated circuits.

2. Buffer Storage Circuits. The Buffer Storage register is composed of Dual J-K Flip-Flop integrated circuits QA409 through QA414.

3. Decoder Driver Circuits. QA415, QA416, and QA417 are Decimal Decoder Driver integrated circuits.

4. Display Circuits. V401, V402, and V403 are Readout Tubes for Units, Tens, and Hundreds respectively.

f. Polarity Board. The Polarity Board contains various circuits which are controlled by signal "B" and "C" from the Zero Crossing Detector signal as shown in Figure 13.

1. Polarity Indicator Control Circuit. This circuit drives the Polarity Indicator DS201 to provide a Polarity display. QA201A and QA206A are J-K Flip-Flop circuits which control transistors Q201 and Q202.

2. Polarity Print Signal Circuit. The Polarity Print signal is determined by the Q output of J-K flip-flop QA206A.

3. Discharge Voltage Polarity Control Circuit. The -REF Control signal is determined by QA201A and gate QA204A. The -REF Control signal is determined by QA202A, QA203A, QA203B, QA202B, QA202C, QA203C, QA203D, and QA207A.

4. Buffer Store Command Circuit. The Buffer Store command is provided by J-K flip QA201B and gates QA204C and QA207A.

5. Overload Blanking Circuit. A portion of the Overload Blanking circuit QA204D, QA206B, and QA207B is located on the Polarity Board. The remainder of the circuit is located on the Display/Overload Board PC-241.

g. Output Buffer Board, PC-218. This board contains 15 buffer circuits to provide BCD Data and Overload and Polarity Print signals. Buffer circuits "A" through "P" consist of transistor buffer stages as shown in Figure 14.

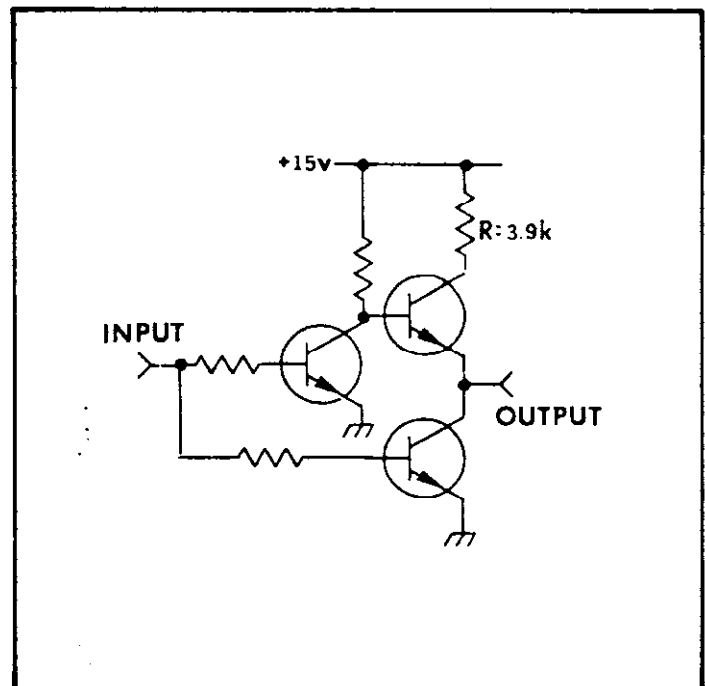


FIGURE 14. Model 4401 Buffer Stage.

h. Output Buffer Board, PC-209. This board contains six buffer circuits and various gate circuits to provide Print Command and Range Signal Print signals.

1. Buffer Circuits. Buffer circuits "A" through "E" provide BCD Range information.
2. Print Command Circuits. Buffer circuits composed of transistors Q1101, Q1102, Q1104, Q1105, Q1106, and Q1107 provide Print Command signals as determined by gates Q1101 (A, B, C, and D) and Q1102 (A, B, C, and D).
3. Range Signal Circuit. Transistors Q1108, Q1109, and Q1110 comprise a Range Signal Buffer stage controlled by the Range Signal.
4. Reference Voltages. A High and Low Reference voltage is provided by resistor divider R1114, R1115, and R1116. The voltages are +8 volts (High) and +2 volts (Low).

3-6. POWER SUPPLIES (Schematic 23448E).

a. +15 Volt Supply. The +15 volt supplies tap ac power from a secondary of transformer T101. Diodes D103, D105, D107 and D108 and capacitors C104 and C105 compose a full-wave rectifier with filtering. Transistors Q114 and Q115 form a differential amplifier which compares the voltage at R115 with the voltage of zener diode D110. The difference voltage is amplified by transistor Q109 and fed to Darlington transistor pair, Q106 and Q107, which series regulate the output voltage. Transistors Q116 and Q117 form a differential amplifier which compares the voltage at R123 with respect to lo. The difference voltage is amplified by transistor Q113 and fed to Darlington transistor pair, Q110 and Q111, which series regulate the +15 volt output. Transistors Q108 and Q112 limit the output current to about 200 milliamperes.

b. +3.6 Volt Supply. The +3.6 volt supply taps ac power from a secondary of transformer T101. Diodes D101 and D102 and capacitor C101 form a full-wave rectifier with filtering. Transistor Q105 amplifies the difference between the +3.6 volt output and a reference voltage derived from the +15 volt supply and determined by resistors R103 and R104. The difference voltage is amplified by transistor Q104 which drives a Darlington transistor pair, Q101 and Q102. The Darlington pair series regulates the +3.6 volt output. Transistor Q103 limits the output current to about 3 amperes.

c. +170 Volt Supply. The +170 volt supply taps ac power from a secondary of transformer T101. Diode D111 and capacitor C112 form a half-wave rectifier with filtering. Transistor Q119 amplifies the voltage developed by the resistor divider R128 and R129. The output of Q119 controls the series regulator transistor Q118 to maintain the +170 volt output. When the electrometer is overloaded, and overload signal drives transistor Q120 which in turn controls the voltage at the base of transistor Q119. The circuit composed of diode D112, transistor Q120, and resistors R130, R131, and R132 reduces the +170 volt output to +80 volts when overloading occurs. Grounding the overload input turns off transistor Q120 causing diode D112 to conduct the drive Q119. The reduced +80 volt output causes blanking on all Numerical Readout Tubes connected to the +170 volt supply.

d. +210 Volt Output. The +210 volt supply is an unregulated voltage supply using the half-wave filtered voltage at diode D111 and capacitor C112.

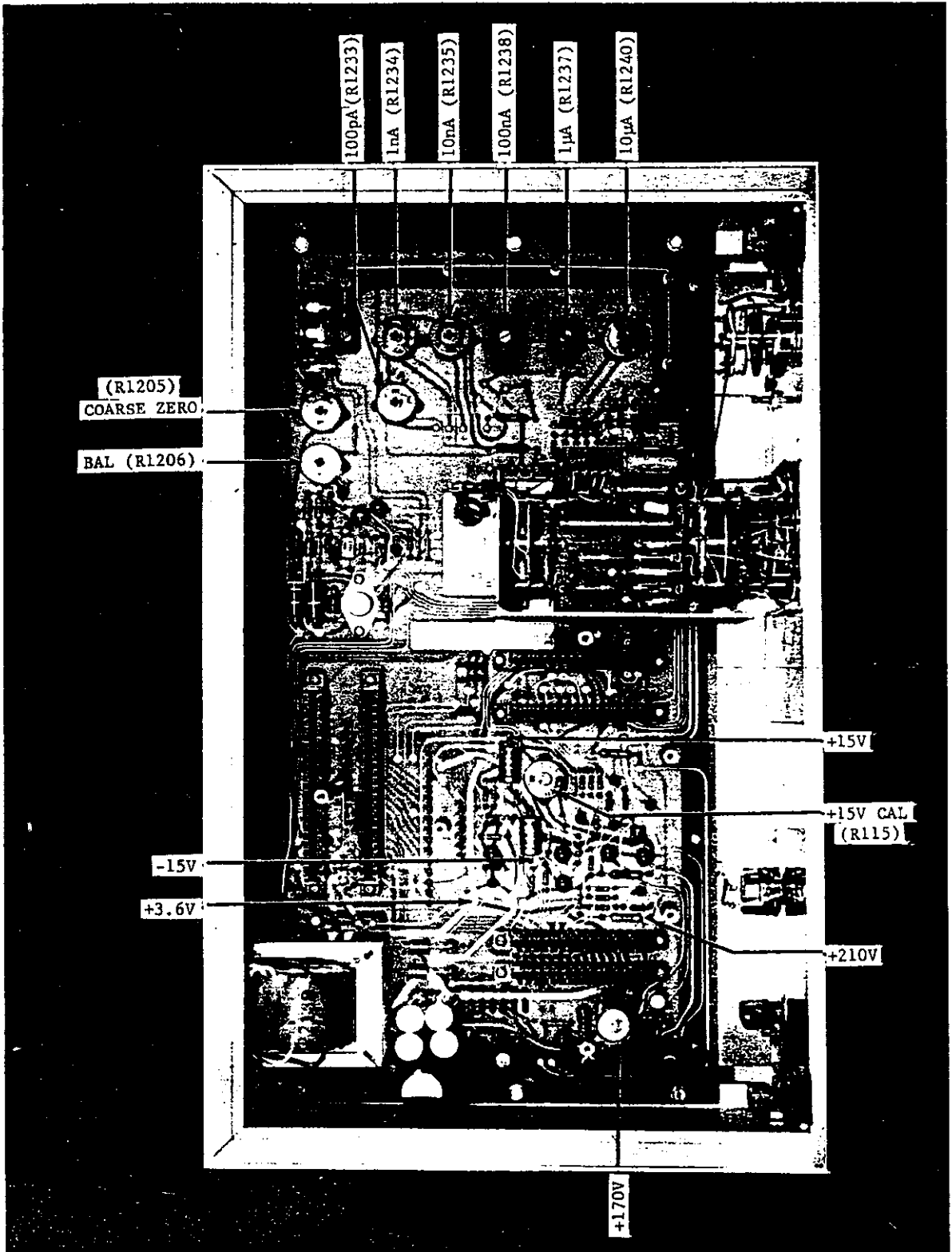


FIGURE 15. Chassis Top View, Showing Cal. Adjustments.

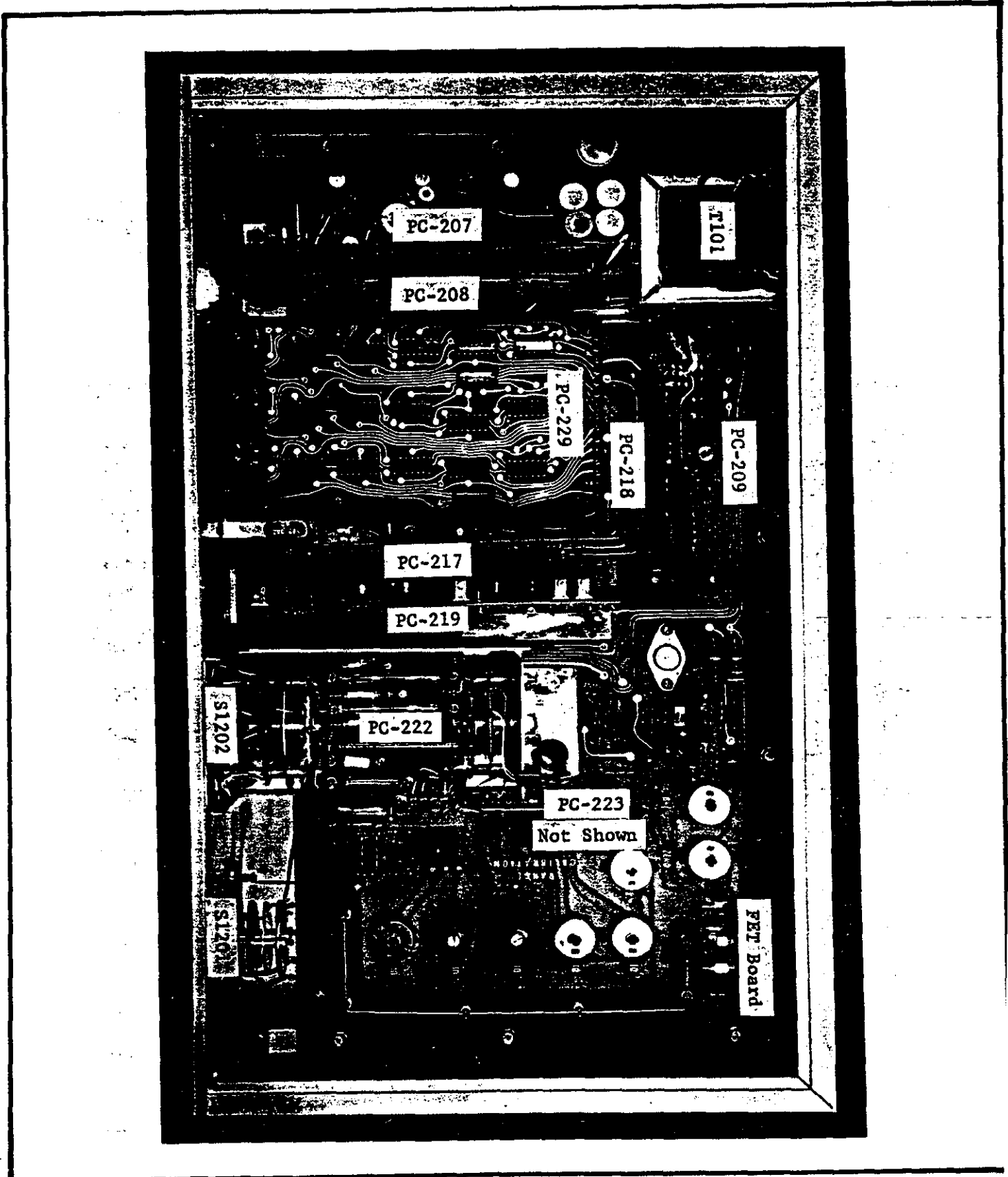


FIGURE 16. Location of Printed Circuit Boards.

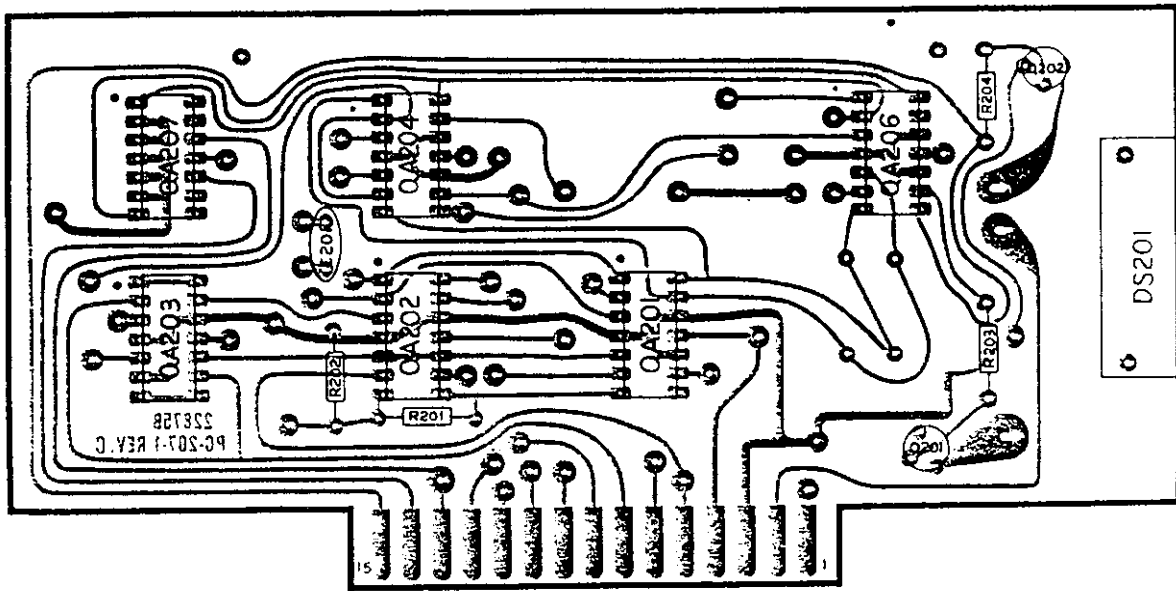


FIGURE 17. Component Layout, PC-207.

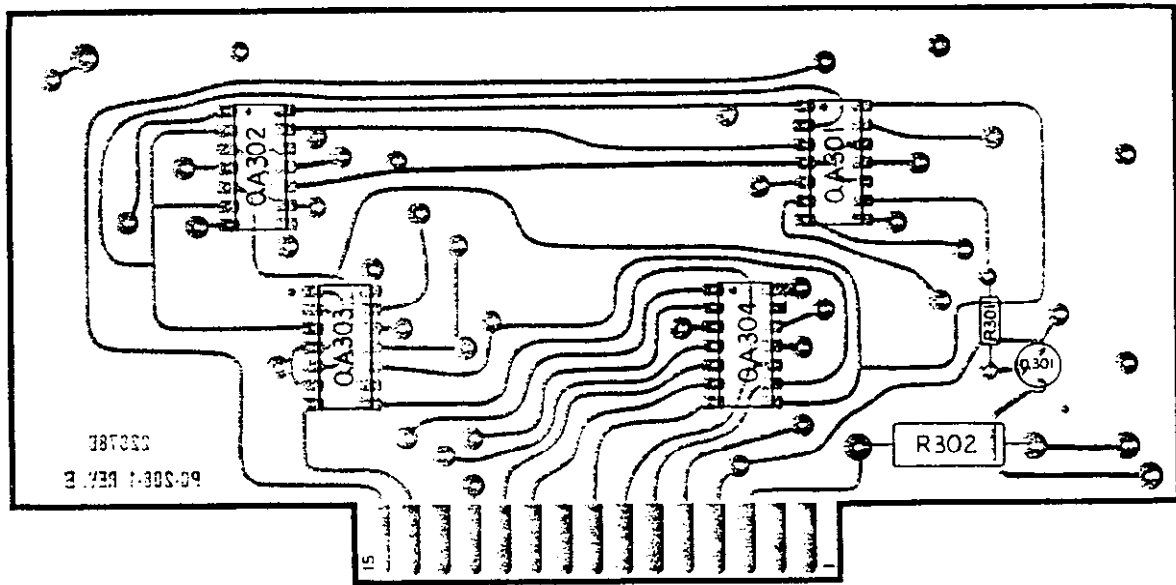


FIGURE 18. Component Layout, PC-208.

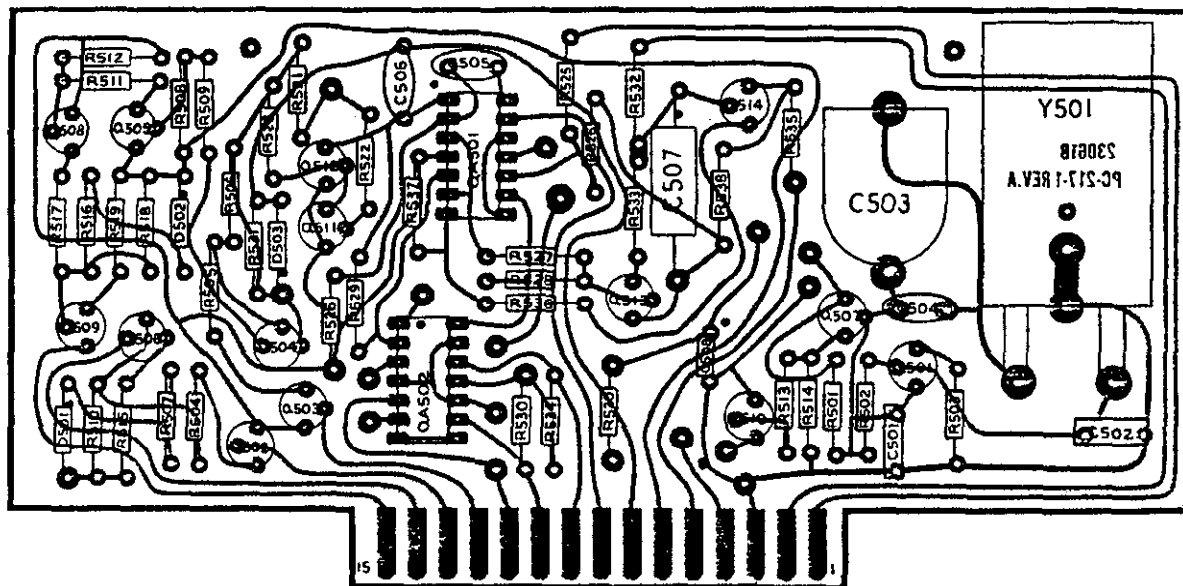


FIGURE 20. Component Layout, PC-217.

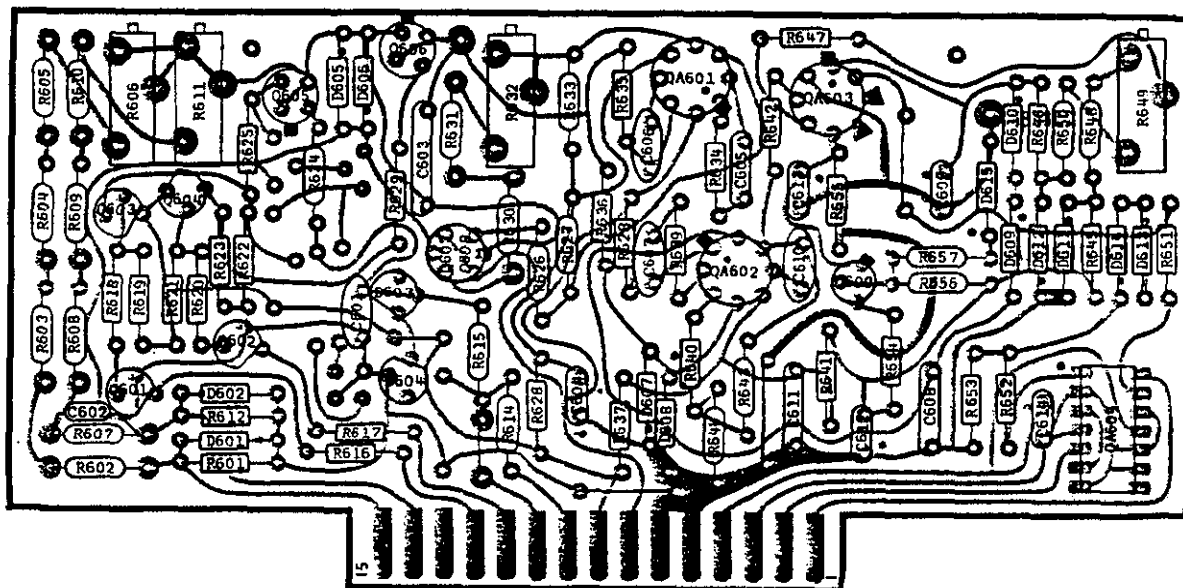


FIGURE 21. Component Layout, PC-219.

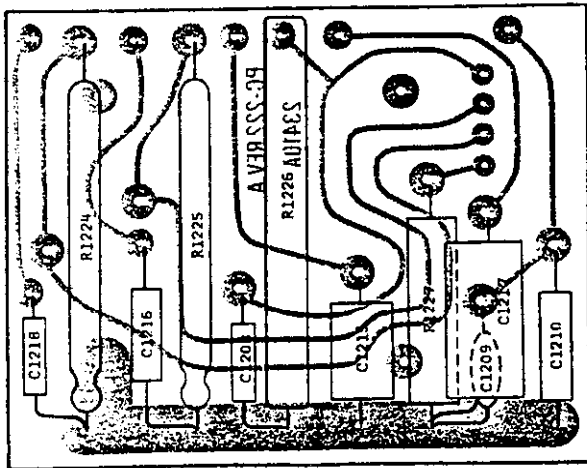


FIGURE 22. Component Layout, PC-222.

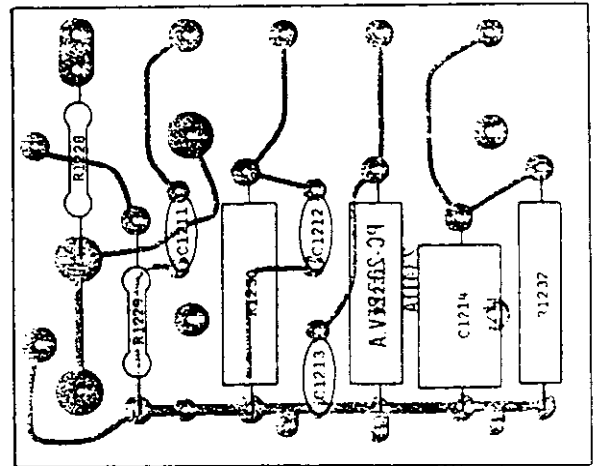


FIGURE 23. Component Layout, PC-223.

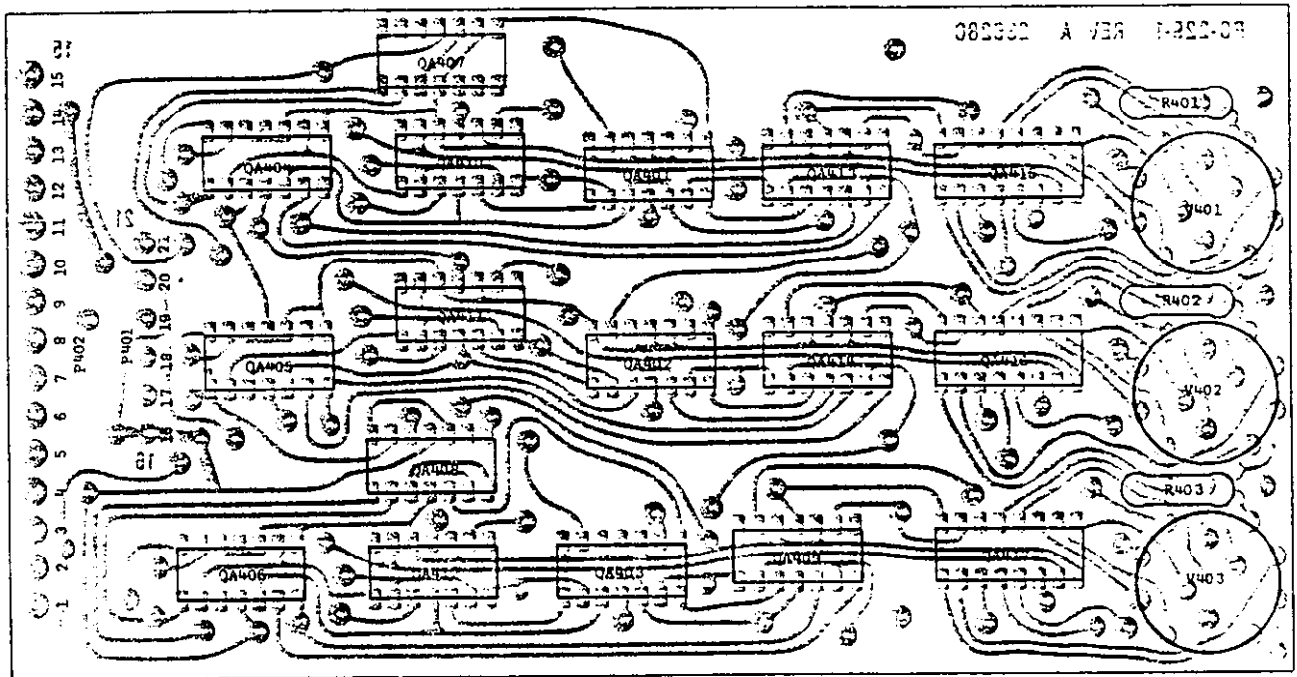


FIGURE 24. Component Layout, PC-229.

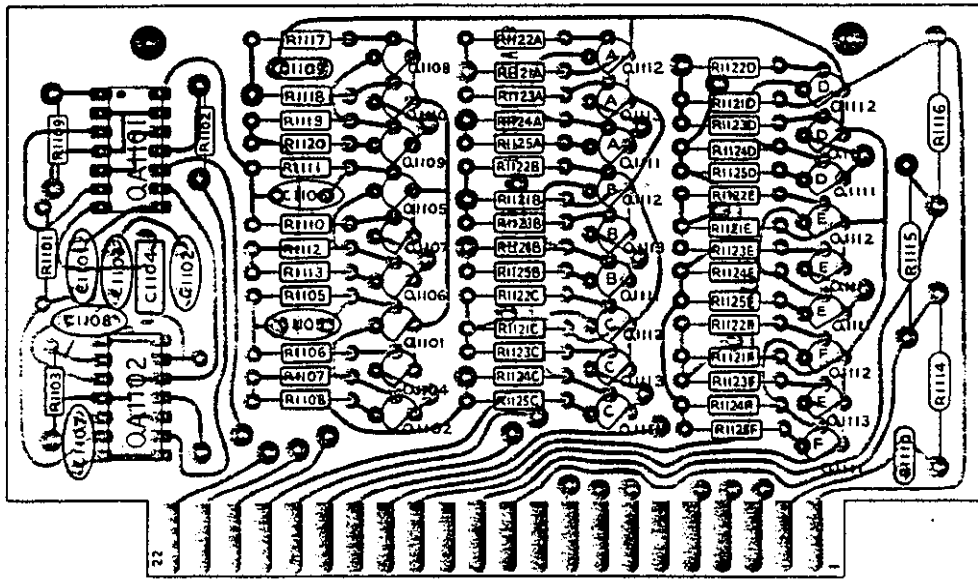


FIGURE 25. Component Layout, PC-209.

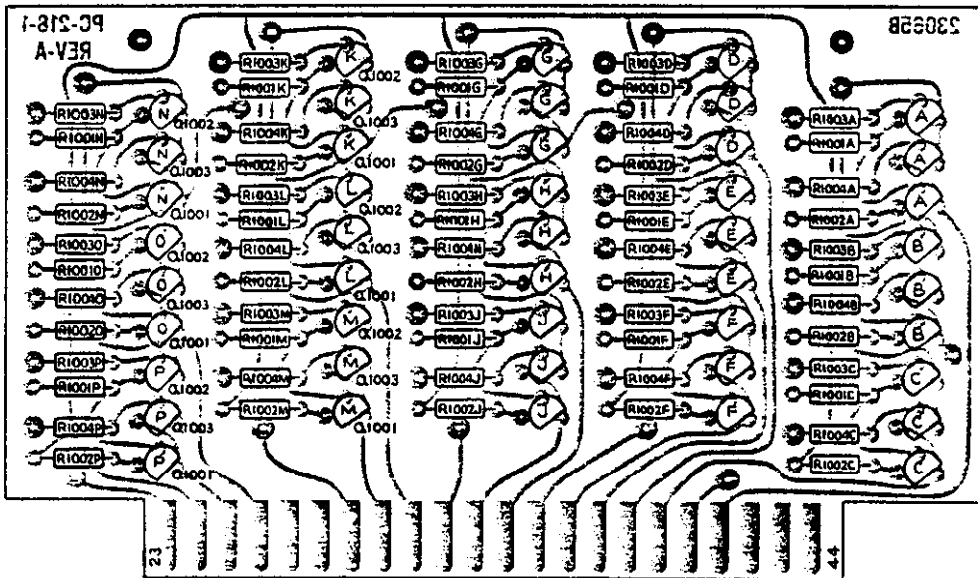
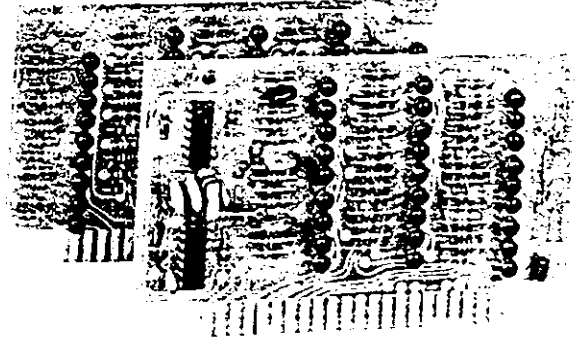


FIGURE 26. Component Layout, PC-218.

SECTION 4. ACCESSORIES

Model 4401 Printer Output Cards

Description: The Model 4401 consists of two printer output cards which may be installed at the factory or in the field since no wiring is required. The output cards plug into prewired connectors on the chassis. BCD outputs are provided through the use of a 50-pin prewired output connector.



Model 4405 Terminal Box

Description: The Model 4405 consists of a 50-terminal box with convenient barrier-strip connections and a 3 ft. cable terminated with a CS-220 connector.

Model 4406 Extender Cards

Description: The Model 4406 consists of two extender cards and one extractor for pulling pc cards. The extender cards permit access to test points and calibration controls on cards having either 15 or 22 pins.

Model SC51 Fifty-Conductor Cable

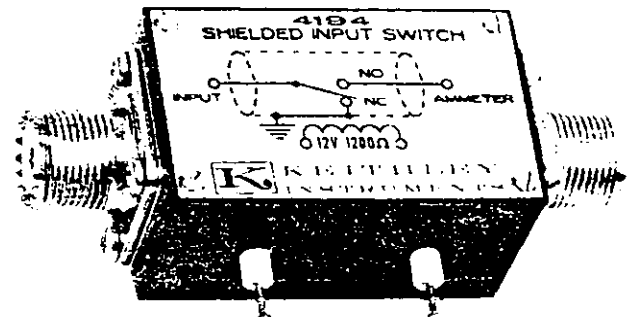
Description: The Model SC51 cable is useful for fabricating a custom-length cable for use with the Model 4401 Printer Output cards. The cable is sold in custom lengths on special order.

Parts List:

Description	Keithley Part No.
PC Card Extractor	4195
PC Card Extender	(22 pins) PC-225
PC Card Extender	(15 pins) PC-224

Model 4194 Shielded Input Switch

Description: The Model 4194 is a remotely controlled reed switch that permits shorting of the input during sample changes, etc. The switch is useful in automated testing where it is important to keep the source input shorted when not being measured.



Model 3001 Bench Mounting Kit

Description:

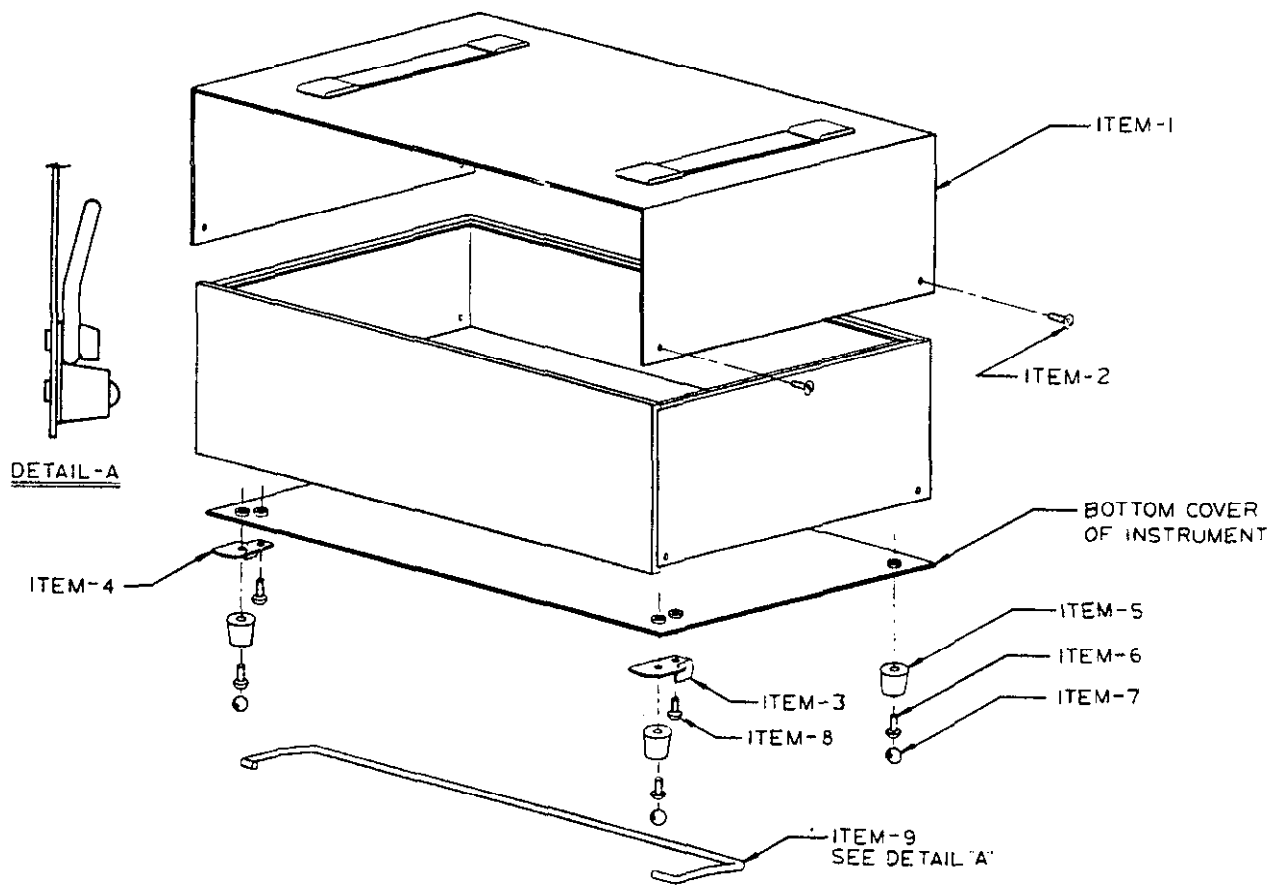
The Model 3001 is a bench mounting kit for use with instruments 5-1/4" high x 17-1/2" wide x 10" deep. All parts are included for conversion of a rack mounted instrument to bench mounting complete with top cover, handle assembly, non-skid feet and tilt bail assembly.

Parts List:

Item No.	Description	Qty. Per Assembly	Keithley Part No.
1	Cover Assembly	1	17604B
2	Screw, Slotted 10-32x1/4	4	-
3	Bail Support, Right	1	19206B
4	Bail Support, Left	1	19205B
5	Foot, plastic	4	FE-5
6	Screw, Phillips, 8-32x3/8	4	-
7	Rubber Foot Insert	4	FE-6
8	Screw, Phillips, 6-32x1/4	2	-
9	Tilt Bail	1	14704B

Assembly:

1. Remove the rack angles attached to the rack mounted instrument. The four 10-32 slotted screws supplied with the instrument should be used to install the bench-style top cover (item 1).
2. Remove the bottom cover to facilitate the mounting of the non-skid feet and tilt bail assembly. Use a screw driver to turn the pawl-type fasteners on the cover (about one-half turn clockwise).
3. Install the bail supports (items 3 and 4) using 6-32 screws (item 8).
4. Install the plastic feet (item 5) using 8-32 screws (item 6) in four places.
5. Install tilt bail (item 9) as shown.
6. Install bottom cover using pawl-type fasteners.



SECTION 5. CALIBRATION

5-1. GENERAL. This section contains information necessary to calibrate the instrument.

5-2. REQUIRED TEST EQUIPMENT. Recommended test equipment for checking and adjusting the instrument is given in Table 5-1.

5-3. ADJUSTMENT/CALIBRATION PROCEDURE.

NOTE 1.

To obtain rated accuracy, perform calibration at the ambient temperature of end use area, otherwise temperature coefficient correction factors must be used (See Specifications). During calibration, the ambient temperature should be constant within $\pm 1^\circ\text{C}$. Relative humidity should be within range from 20 to 60%.

NOTE 2.

The top and bottom covers should be installed for A/D Converter and Picoammeter calibration. It is recommended that special punched top and bottom covers be fabricated. See Figures 30 and 31 for templates for covers. Alternately, the top cover may be removed for short periods of time. After adjustment, replace cover and allow instrument to stabilize for a few minutes before the cal. procedure is continued.

NOTE 3.

Care must be taken to minimize stray noise during calibration. Current sources should be isolated (floating) from ground. Model 440 should be grounded. DVM should be isolated.

a. Power Supply Adjustment. (Top and bottom covers must be removed for this adjustment).

1. Set LINE Switch to 117V or 234V if higher line voltage is only available. (Switch S101.)
2. Connect line voltage of 115V ± 3 volts, or 234V ± 6 volts, 60 Hz (or 50 Hz, see note).

NOTE

If instrument is 50 Hz version, oscillator circuit should have 100kHz crystal installed on PC-217. (Y501, Keithley Part No. CR-2.)

3. Turn on Power (Switch S102).
4. Remove bottom cover and measure dc voltage at +15V test point on mother board on tape side of PC-210 using DVM (C).
5. Adjust potentiometer R115 for +15.000 $\pm 50\text{mV}$.
6. Check remaining regulated voltages as shown in Table 5-2.

TABLE 5-1.
Recommended Test Equipment for Calibration.

Item	Minimum Performance Required	Mfr.	Model
A	Current Source, Ranges: Variable around 200nA	Keithley	261
B	Current Source, Ranges: $\pm 10\text{mA}$ to $\pm 10\text{pA}$ Accuracy: $\pm 0.02\%$, from 10mA to 100 μA $\pm 0.05\%$, from 10 μA to 1 μA $\pm 0.2\%$, 100nA $\pm 0.3\%$, from 10nA to 100pA $\pm 0.5\%$, 10pA (Source must have output capacitance less than 100pF) (Positive and negative tracking must be within one-half the max. tolerance.)		
C	Digital Voltmeter (DVM), 5-1/2 digits, ± 10 microvolts to $\pm 20\text{V}$. Accuracy: $\pm 0.02\%$ of reading.	Keithley	190
D	Digital Counter, 100kHz or 120kHz ± 1 Hz.	Eldorado	1507B
E	Oscilloscope (mainframe) Amplifier Plug-in, 1mV/Div, DC to 500kHz Time-Base Plug-in, 5ms/Div	Tektronix Tektronix Tektronix	561B 3A9 2B67
F	Null Detector, $\pm 10\mu\text{V}$ to $\pm 10\text{V}$, $\pm 2\%$ accuracy, 10^{12} isolation	Keithley	155

TABLE 5-2.
Power Supply Voltage Verification.

Voltage	Test Point	Tolerance
+15.000V	+15V	±50mV
-15.000V	-15V	±0.4V
+3.6V	+3.6V	±0.1V

b. Zero Adjust. (Top cover must be removed for these adjustments.)

1. Set front panel Zero Adjust (R1211) to mechanical center of adjustment span.
2. Set Display Rate to MAX.
3. Set Range to 10mA.
4. Select ZERO CHECK, with no input signal connected.
5. Set Damping to Min.
6. Connect Null Detector (F) to Model 440 ANALOG OUTPUT (J1213).
7. Connect DVM (must be floating) across resistor R1210 (18.2k Ω).
8. Adjust Coarse Zero (R1205) for 0 ± 2 millivolts at ANALOG OUTPUT (J1213).
9. Adjust Balance (R1206) for $5.2V \pm 0.1V$.
10. Repeat steps 8 through 9 until both readings are obtained simultaneously.
11. With Null Detector (F) connected, adjust front panel Zero Adjust (R1211) for $0 \pm 0.1mV$ at ANALOG OUTPUT (J1213).

c. Clock Adjust. (Top cover must be removed for this adjustment.)

1. Set Display Rate to MAX.
2. Connect Counter (D) between "CLOCK" test point on printed circuit board PC-217 and "GND" test point on PC-219.
3. Adjust Frequency Adjust (C503) on PC-217 for a Counter reading of $120kHz \pm 1$ Hz. (If Model 440 is 50 Hz version, set frequency for $100kHz \pm 1$ Hz.)

NOTE

Capacitor C504 (22pF) may be added or removed to extend the adjustment range of trimmer C503.

d. Stabilization. Top/Bottom covers are installed. With power on, allow the Model 440 to stabilize in the calibration area for two hours.

e. Picoammeter Range Calibration.

IMPORTANT

Care must be exercised so as to avoid overloads on any range during calibration. The Damping control may be used to reduce the output noise on ranges 100pA to 100nA if necessary.

1. Set Display Rate to MAX.
2. Select 100pA range.
3. Select ZERO CHECK.
4. Connect DVM to ANALOG OUTPUT of Model 440.
5. Verify output of $0 \pm 0.1mV$ (adjust front panel zero (R1211) as needed).
6. Connect Current Source to Model 440 INPUT (J1210).
7. Apply +100pA.
8. Adjust 100pA Cal. (R1233) to obtain $-1.0000V \pm 0.1mV$ at ANALOG OUTPUT (J1213).
9. Complete remainder of current range calibration in accord with Table 5-3.

f. A/D Zero Adjustment.

1. Set Display Rate at MAX.
2. Connect Oscilloscope as shown in Figure 27.
3. Connect DVM to ANALOG OUTPUT (J1213) of Model 440.
4. Set range to 100nA and HOLD.
5. Place Model 440 in ZERO CHECK.
6. Adjust front panel Zero Adjust (R1211) for $0 \pm 0.1mV$ at ANALOG OUTPUT (J1213).
7. Set Oscilloscope to following:
 - a). With INTEGRATOR test point connected to vertical input, set vertical gain to 5mV/div., dc coupled.
 - b). With EXT. TRIGGER test point connected to horizontal input, set horizontal gain to 5ms/div., ac coupled.
 - c). Set trigger to EXT, +.
8. Adjust INTEGRATOR ZERO (R632) to minimize wave-form amplitude as shown in Figure 28.
9. Adjust ZERO CROSSING ADJ. (R649) to minimize wave-form amplitude as shown in Figure 28. Increase Oscilloscope vertical sensitivity as necessary (to 1mV/div, dc coupled).

TABLE 5-3.
Current Range Accuracy Calibration.

Range	Input	Output Reading	Adjustment/Verification
100pA*	Zero Check +100pA -100pA +10pA -10pA	0 ± 0.1mV -1V ± 0.1mV +1V ± 0.3% -0.1V ± 0.8% +0.1V ± 0.8%	Verify Adjust 100pA CAL. (R1233) Verify Verify Verify
1nA	Zero Check +1nA -1nA +100pA -100pA	0 ± 0.1mV -1V ± 0.1mV +1V ± 0.3% -0.1V ± 0.6% +0.1V ± 0.6%	Verify Adjust 1nA CAL. (R1234) Verify Verify Verify
10nA	Zero Check +10nA -10nA -1nA +1nA	0 ± 0.1mV -1V ± 0.1mV +1V ± 0.3% -0.1V ± 0.6% +0.1V ± 0.6%	Verify Adjust 10nA CAL. (R1235) Verify Verify Verify
100nA	Zero Check +100nA -100nA +10nA -10nA	0 ± 0.1mV -1V ± 0.1mV +1V ± 0.2% -0.1V ± 0.5% +0.1V ± 0.5%	Verify Adjust 100nA CAL. (R1238) Verify Verify Verify
1µA	Zero Check +1µA -1µA +100nA -100nA	0 ± 0.1mV -1V ± 0.1mV +1V ± 0.06% -0.1V ± 0.25% +0.1V ± 0.25%	Verify Adjust 1µA CAL. (R1239) Verify Verify Verify
10µA	Zero Check +10µA -10µA	0 ± 0.1mV -1V ± 0.1mV +1V ± 0.06%	Verify Adjust 10µA CAL. (R1240) Verify
100µA	Zero Check +100µA -100µA	0 ± 0.1mV -1V ± 0.2% +1V ± 0.2%	Verify Verify Verify
1mA	Zero Check +1mA -1mA	0 ± 0.1mV -1V ± 0.2% +1V ± 0.2%	Verify Verify Verify
10mA	Zero Check +10mA -10mA	0 ± 0.1mV -1V ± 0.1mV +1V ± 0.03%	Verify Verify Verify

*If calibration of 100pA range is not possible, the problem may be a result of excessive offset current (less than $\pm 2 \times 10^{-14}$ A at factory calibration).

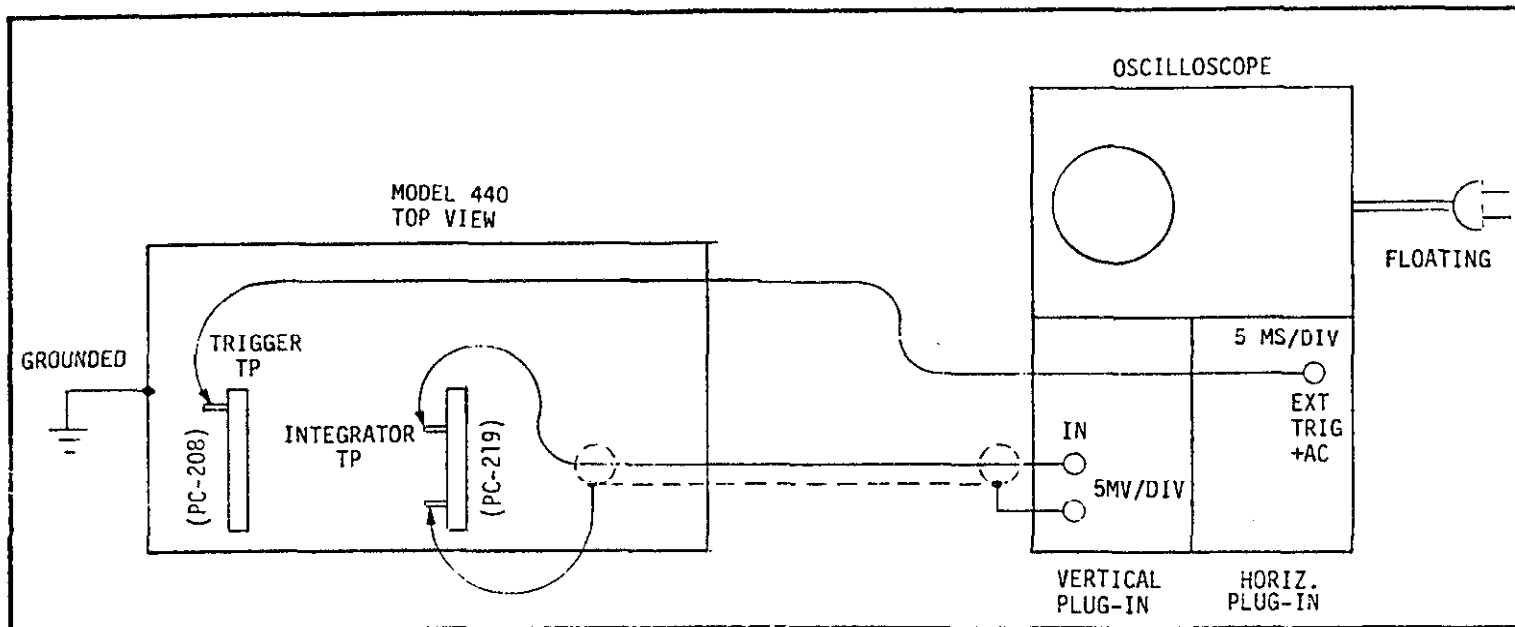


FIGURE 27. Test Equipment Set-up for A/D Calibration.

NOTE

If range of adjustment of INTEGRATOR ZERO (R632) is insufficient add or remove jumpers across resistors R630 and R631.

10. Set vertical oscilloscope input to GND (using AC/DC/GND switch) to set reference "0" position. Switch to DC and verify that RESET position coincides with "0".

11. With RESET adjusted on oscilloscope grid line, adjust INTEGRATOR ZERO to set "Integrator" waveform within $\pm 0.1\text{mV}$ of RESET position.

12. Adjust ZERO CROSSING ADJ. (R649) to obtain a zero reading on the Model 440 display such that the polarity indicator flashes + and -.

13. Remove Oscilloscope and other leads from Model 440.

g. A/D Linearity Adjust.

1. Connect Current Source (A) to Model 440 INPUT.
2. Open ZERO CHECK.
3. Apply a positive input current to Model 440.
4. Adjust Current Source and front panel zero as necessary for ANALOG OUTPUT reading of $-1.9995\text{V} \pm 0.1\text{mV}$.

5. Adjust + REF. Control (R611, PC-219) for a Model 440 display flashing between +1.999 and blank.

NOTE

Add or remove jumper wires which shunt resistors R608, R609 or R610 (on printed circuit board PC-219) to extend the range of adjustment on potentiometer R611. Resistor R607 may be changed if necessary.

6. Apply a minus input current to Model 440.
7. Adjust Current Source and front panel zero as necessary for ANALOG OUTPUT reading of $-1.9995\text{V} \pm 0.1\text{mV}$.
8. Adjust - REF. Control (R606, PC-219) for a Model 440 display flashing between -1.999 and blank.

NOTE

Add or remove jumper wires which shunt resistors R603, R604, or R605 (on printed circuit board PC-219) to extend the range of adjustment on potentiometer R606. Resistor R602 may be changed if necessary.

9. Place Model 440 in ZERO CHECK.
10. Adjust front panel Zero Control for ANALOG OUTPUT of $0 \pm 0.1\text{mV}$.
11. Model 440 display should indicate ± 000 .

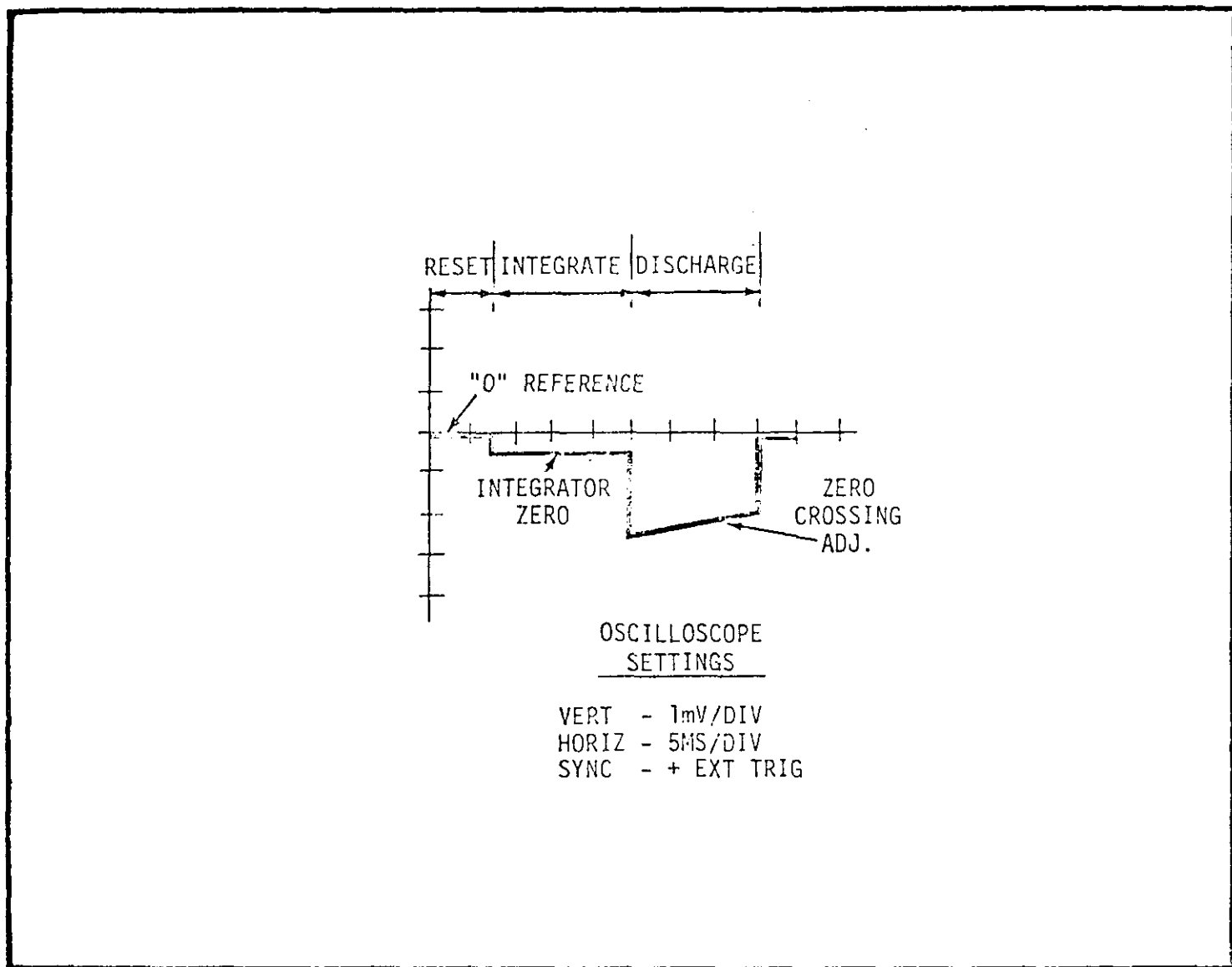


FIGURE 28. A/D Converter Zero Adjustments.

SECTION 6. REPLACEABLE PARTS

6-1. REPLACEABLE PARTS LIST: This section contains a list of components used in this instrument for user reference. The Replaceable Parts List describes the individual parts giving Circuit Designation, Description, Suggested Manufacturer (Code Number), Manufac-

turer's Part Number, and the Keithley Part Number. Also included is a Figure Reference Number where applicable. The complete name and address of each Manufacturer is listed in the CODE-TO-NAME Listing following the parts list.

TABLE 6-1.
Abbreviations and Symbols

A	ampere	F	farad	Ω	ohm
CbVar	Carbon Variable	Fig	Figure	p	pico (10^{-12})
CerD	Ceramic Disc	Gcb	Glass enclosed Carbon	PC	Printed Circuit
Cer Trimmer	Ceramic Trimmer	k	kilo (10^3)	Poly	Polystyrene
Comp	Composition	μ	micro (10^{-6})	Ref.	Reference
DCb	Deposited Carbon	M	Meg (10^6)	TCu	Tinner Copperweld
Desig.	Designation	Mfr.	Manufacturer	V	volt
EAL	Electrolytic, Aluminum	MtF	Metal Film	W	watt
ETB	Electrolytic, tubular	My	Mylar	WW	Wirewound
ETT	Electrolytic, tantalum	No.	Number	WWVar	Wirewound Variable

6-2. ELECTRICAL SCHEMATICS AND DIAGRAMS. Schematics and diagrams are included to describe the electrical circuits as discussed in Section 3. Table 6-2 identifies all schematic part numbers included.

Sales Service Department, Keithley Instruments, Inc. or your nearest Keithley representative.

6-3 HOW TO USE THE REPLACEABLE PARTS LIST. This Parts List is arranged such that the individual types of components are listed in alphabetical order. Main Chassis parts are listed followed by printed circuit boards and other subassemblies.

b. When ordering parts, include the following information.

1. Instrument Model Number.
2. Instrument Serial Number.
3. Part Description.
4. Schematic Circuit Designation.
5. Keithley Part Number.

6-4. HOW TO ORDER PARTS.

a. Replaceable parts may be ordered through the

c. All parts listed are maintained in Keithley Spare Parts Stock. Any part not listed can be made available upon request. Parts identified by the Keithley Manufacturing Code Number 80164 should be ordered directly from Keithley Instruments, Inc.

TABLE 6-2.

Description	Circuit Description	Schematic Part No.
Main Chassis	PC-210	23482E
Power Supply	PC-210	23448E
Polarity Board	PC-207	23449D
Thousand Board	PC-208	23450D
Readout Board	PC-229	23451E
Oscillator Board	PC-217	23452D
Integrator Board	PC-219	23453E
Output Buffer	PC-218	23457D
Output Buffer	PC-209	23481E
Basing Diagram	-	23606D

TABLE 6-3.
Mechanical Parts List.

Item No.	Description	Quantity Per Assembly	Keithley Part No.
1	<u>Top Cover Assembly</u>	-	17958C
-	Cover	1	17162C
-	Fastener	2	FA-54
2	<u>Bottom Cover Assembly</u>	-	17960C
-	Cover	1	17957C
-	Fastener	2	FA-54
3	<u>Angle, Rack Assembly</u>	2	14624B
4	<u>Screw, Slotted, 10 - 32 x 1/4</u>	4	-
5	<u>Front Panel</u>	1	23026D
6	<u>Chassis</u>	1	23039B

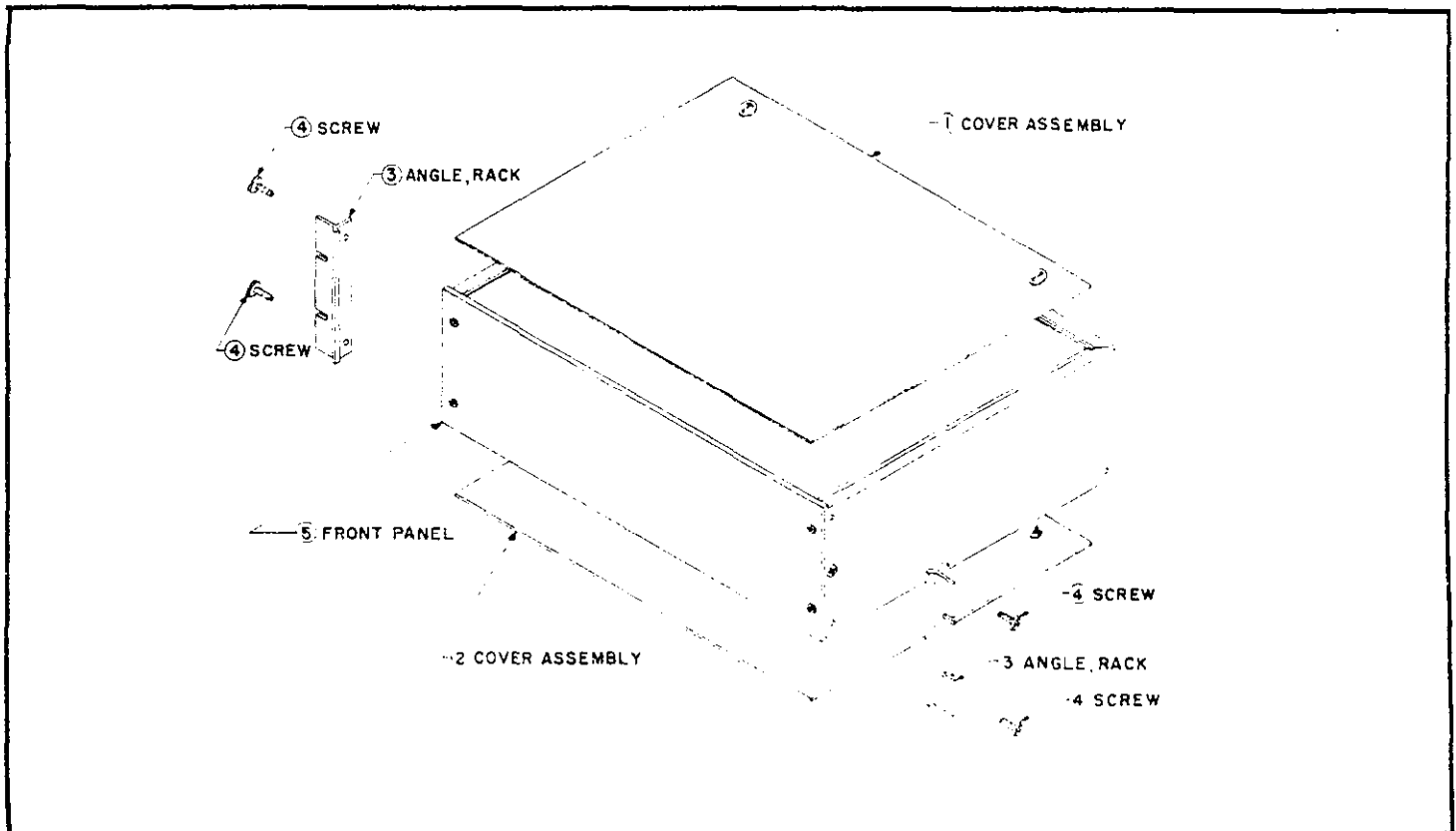


FIGURE 29. Mechanical Assembly.

TABLE 6-4.
PC Board Designation Series

Series	Description	Designation	Connector	Page No.
100	Power Supply	PC-210	-	38
200	Polarity Board	PC-207	J1204	40
300	Thousand Board	PC-208	J1205	41
400	Readout Board	PC-229	J1206/J1207	41
500	Oscillator Board	PC-217	J1208	42
600	Integrator Board	PC-219	J1209	44
1000	Output Buffer Board	PC-218	J1202	46
1100	Output Buffer Board	PC-209	J1213	47
1200	Main Chassis	PC-210	-	35

MAIN CHASSIS PARTS LIST
 ("1200" Series, PC-210)

CAPACITORS

Circuit Desig.	Value	Rating	Type	Mfr. Code	Mfr. Part No.	Keithley Part No.	Fig. Ref.
C1201	5 pF	600 V	CerD	72982	ED-5	C22-5P	19
C1202	10 .F	20 V	ETT	17554	TSD2-20-106	C179-10M	19
C1203	.0047 .F	600 V	CerD	72982	ED-.0047	C22-.0047M	19
C1204	.047 .F	200 V	My	13050	SM1A	C143-.047M	19
C1205	10 .F	20 V	ETT	17554	TSD2-20-106	C179-10M	19
C1206	Not Used						
C1207	Not Used						
C1208	47 pF	500 V	Poly	71590	CPR-47J	C138-47P	19
C1209	220 pF	600 V	CerD	72982	ED-220	C22-220P	19
C1210	.001 .F	500 V	Poly	71590	CPR-.001J	C138-.001M	19
C1211	.01 .F	600 V	CerD	72982	ED-.01	C22-.01M	19
C1212	.02 .F	600 V	CerD	72982	ED-.02	C22-.02M	19
C1213	.02 .F	600 V	CerD	72982	ED-.02	C22-.02M	19
C1214	.25 .F	400 V	My	13050	SM1A	C73-.25M	19
C1215	5000 pF	500 V	Poly	71590	CPR-5000J	C138-5000P	19
C1216	510 pF	500 V	Poly	71590	CPR-510J	C138-510P	19
C1217	.05 .F	600 V	My	56289	6PS-550	C62-.05M	19
C1218	47 pF	500 V	Poly	71590	CPR-47J	C138-47P	19
C1219	.0047 .F	600 V	CerD	72982	ED-.0047	C22-.0047M	19
C1220	.0047 .F	600 V	CerD	72982	ED-.0047	C22-.0047M	19
C1221	.0047 .F	600 V	CerD	72982	ED-.0047	C22-.0047M	19

CONNECTORS

Circuit Desig.	Description	Mfr. Code	Mfr. Part No.	Keithley Part No.	Fig. Ref.
J1201	Plug-in Contacts	91662	02-005-113-6-200	CS-199	19
P1201	Contacts, mate of J1201	91662	02-005-111-5-200	CS-200	-
J1202	Receptacle, 44 pins, front card of Output Buffer Stage PC-218	09922	PSC 4DD22-12	CS-205	19
J1203	Receptacle, 44 pins, Rear card of Output Buffer Stage PC-209	09922	PSC 4DD22-12	CS-205	19
J1204	Receptacle, 15 pins, Polarity Board PC-207	09922	PSC 4SS15-12	CS-175	19
J1205	Receptacle, 15 pins, Thousand Board PC-208	09922	PSC 4SS15-12	CS-175	19
J1206	Receptacle, 6 pins, Readout Board PC-229	73690	02-006-105-6-200	CS-223	19
J1207	Receptacle, 15 pins, Readout Board PC-229	73690	02-015-105-6-200	CS-222	19
J1208	Receptacle, 15 pins, Oscillator Board PC-217	09922	PSC 4SS15-12	CS-175	19
J1209	Receptacle, 15 pins, Integrator Board PC-219	09922	PSC 4SS15-12	CS-175	19
J1210	Receptacle, UHF, INPUT (Mil. No. 50-239A)	91737	6804	CS-64	2
---	Plug, UHF, mate of J1210 (Mil. No. 49190), Supplied	91737	5127	CS-49	-
---	Dust Cap for J1210, Supplied	95760	EC-10	Cap-1	-

MAIN CHASSIS PARTS LIST
"1200" SERIES, PC-210
CONNECTORS (Cont'd)

Circuit Desig.	Description	Mfr. Code	Mfr. Part No.	Keithley Part No.	Fig. Ref.
J1211	Binding Post, G	08811	33-286	BP-15	2
J1212	Receptacle, 50 pins, PRINTER/CONTROL Connector	02660	57-40500-1	CS-221	3
---	Plug, mate of J1212	02770	57-30500-1	CS-220	-
J1213	Receptacle, Microphone, ANALOG OUTPUT	02660	80-PC2F	CS-32	3
---	Plug, mate of J1213, Supplied	02660	80-MC2M	CS-33	-

DIODES

Circuit Desig.	Type	Mfr. Code	Mfr. Part No.	Keithley Part No.	Fig. Ref.
D1201	Silicon	01295	1N914	RF-28	19
D1202	Silicon	01295	1N645	RF-14	19
D1203	Silicon	02735	1N3255	RF-17	19
D1204	Silicon	02735	1N3255	RF-17	19
D1205	Zener	84970	VR47	DZ-30	19
D1206	Silicon	02735	1N3255	RF-17	19
D1207	Silicon	02735	1N3255	RF-17	19
D1208	Silicon	02735	1N3255	RF-17	19
D1209	Silicon	01295	1N645	RF-14	19
D1210	Silicon	01295	1N645	RF-14	19

RESISTORS

Circuit Desig.	Value	Rating	Type	Mfr. Code	Mfr. Part No.	Keithley Part No.	Fig. Ref.
R1201	500 k Ω	+20%, 1/4 W	CbVar	71450	GC45	RP75-500K	19
R1202	220 Ω	10%, 1/4 W	Comp	44655	RC07	R76-220	19
R1203	10 M Ω	1%, 1/2 W	DCb	91637	DCF-1/2	R12-10M	19
R1204	100 k Ω	10%, 1/4 W	Comp	44655	RC07	R76-100K	19
R1205	1 k Ω	20%, 2 W	WW	71450	1NS 115	RP50-1K	19
R1206	10 k Ω	20%, 2 W	WW	71450	1NS 115	RP50-10K	19
R1207	15 k Ω	1%, 1/8 W	MtF	07716	CEA	R88-15K	19
R1208	100 Ω	10%, 1/2 W	Comp	01121	EB	R1-100	19
R1209	22 k Ω	10%, 1/4 W	Comp	44655	RC07	R76-22K	19
R1210	18.2 k Ω	1%, 1/8 W	MtF	07716	CEA	R88-18.2K	19
R1211	500 Ω	+20%, 2 W	Germet	71450	551	RP72-500	19
R1212	Not Used						
R1213	18.2 k Ω	1%, 1/8 W	MtF	07716	CEA	R88-18.2K	19
R1214	4.7 k Ω	10%, 1/4 W	Comp	44655	RC07	R76-4.7K	19
R1215	4.7 k Ω	10%, 1/4 W	Comp	44655	RC07	R76-4.7K	19
R1216	680 Ω	10%, 1/4 W	Comp	44655	RC07	R76-680	19
R1217	3.3 k Ω	10%, 1/2 W	Comp	01121	EB	R1-3.3K	19
R1218	100 Ω	10%, 2 W	Comp	01121	HB	R3-100	19
R1219	100 Ω	10%, 1/2 W	Comp	01121	EB	R1-100	19
R1220	470 Ω	10%, 2 W	Comp	01121	HB	R3-470	19
R1221	15 k Ω	+30%, 1/3 W	CbVar	71450	GC45	RP78-15K	19
R1222	1.8 k Ω	10%, 1/4 W	Comp	44655	RC07	R76-1.8K	19
R1223	560 Ω	10%, 1 W	Comp	01121	GB	R2-560	19
R1224	10 ¹⁰ Ω	+3-0%, 1/R W	Gcb	63060	RX-1	23093A	19
R1225	10 ⁹ Ω	+3-0%, 1/R W	Gcb	63060	RX-1	23092A	19

MAIN CHASSIS PARTS LIST
"1200" SERIES, PC-210
RESISTORS (cont'd)

Circuit Desig.	Value	Rating	Type	Mfr. Code	Mfr. Part No.	Keithley Part No.	Fig. Ref.
R1226	10 ⁸ Ω	1%, 2 W	DCb	91637	DC-2	R14-10 ⁸	19
R1227	10 MΩ	1%, 1 W	DCb	91637	DC-1	R13-10M	19
R1228	1.02 MΩ	1%, 1/2 W	MtF	07716	CEC	R94-1.02M	19
R1229	102 kΩ	1%, 1/2 W	MtF	07712	CEC	R94-102K	19
R1230	10.5 kΩ	0.1%, 1 W	WW	01686	7040	R70-10.5K	19
R1231	1.05 kΩ	0.1%, 1 W	WW	01686	7040	R70-1.05K	19
R1232	105 Ω	0.1%, 1 W	WW	01686	7040	R70-105	19
R1233	1 kΩ	0.1%, 1 W	WW	01686	7040	RP50-1K	19
R1234	1 kΩ	0.1%, 1 W	WW	01686	7040	RP50-1K	19
R1235	1 kΩ	0.1%, 1 W	WW	01686	7040	RP50-1K	19
R1236	3.01 kΩ	1%, 1/2 W	MtF	07716	CEC	R94-3.01K	19
R1237	301 kΩ	1%, 1/2 W	MtF	07716	CEC	R94-301K	19
R1238	500 kΩ	+20%, 1/4 W	CbVar	71450	Type-45	RP73-500K	19
R1239	50 kΩ	+20%, 2 W	Cermet	71450	550	RP74-50K	19
R1240	5 kΩ	20%, 2 W	WW	71450	1NS 115	RP50-5K	19
R1241	1.5 kΩ	10%, 1/4 W	Comp	44655	RC07	R76-1.5K	19
R1242	1.5 kΩ	10%, 1/4 W	Comp	44655	RC07	R76-1.5K	19
R1243	1.5 kΩ	10%, 1/4 W	Comp	44655	RC07	R76-1.5K	19
R1244	1.5 kΩ	10%, 1/4 W	Comp	44655	RC07	R76-1.5K	19
R1245	1.5 kΩ	10%, 1/4 W	Comp	44655	RC07	R76-1.5K	19

SWITCHES AND CONTROLS

Circuit Desig.	Description	Mfr. Code	Keithley Part No.	Fig. Ref.
S1201	Rotary Switch, ZERO CHECK	80164	SW-279	2
---	Knob Assembly, Zero Check Switch	80164	14838A	-
S1202	Rotary Switch less components, RANGE	80164	SW-278	2
---	Rotary Switch with components, Range Switch	80164		-
---	Dial Assembly, Range Switch	80164	23037B	-
S1203	Rotary Switch, DAMPING (see also R1221)	71450	RP78-15K	2
---	Knob Assembly, Damping Control	80164	21384A	-
S1204	Rotary Switch, DISPLAY RATE (see also R1201)	71450	RP75-500K	2
---	Knob Assembly, Display Rate Control	80164	21384A	-
---	Screwdriver Adjust, ZERO Control (see R1211)	71450	RP72-500	2

TRANSISTORS

Circuit Desig.	Mfr. Code	Mfr. Part No.	Keithley Part No.	Fig. Ref.
Q1201	80164	**	20933A	19
Q1202	80164	**	20933A	19
Q1203	07263	S17638	TG-33	19
Q1204	07263	S17638	TG-33	19
Q1205	04713	2N3904	TG-47	19
Q1206	71279	ES-5321	TG-54	19

** Transistors Q1201 and Q1202 are matched and should be ordered only as Keithley Part Number 21850B.

POWER SUPPLY PARTS LIST
("100" Series, PC-210)

CAPACITORS

Circuit Desig.	Value	Rating	Type	Mfr. Code	Mfr. Part No.	Keithley Part No.	Fig. Ref.
C101	2000 μ F	15 V	EA1		36-750-2000-15C	C93-2000M	19
C102	100 pF	600 V	CerD	72982	ED-100	C22-100P	19
C103	150 pF	600 V	CerD	72982	ED-150	C22-150P	19
C104	200 μ F	35 V	EA1	90201	MTV200N35PDN	C177-200M	19
C105	200 μ F	35 V	EA1	90201	MTV200N35PDN	C177-200M	19
C106	200 μ F	35 V	EA1	90201	MTV200N35PDN	C177-200M	19
C107	200 μ F	35 V	EA1	90201	MTV200N35PDN	C177-200M	19
C108	1.2 μ F	20 V	ETT	17554	TSD1-20-125	C179-1.2M	19
C109	5 pF	600 V	CerD	72982	ED-5	C22-5P	19
C110	100 μ F	15 V	ETB	73445	C426	C3-100M	19
C111	100 μ F	15 V	ETB	73445	C426	C3-100M	19
C112	15 μ F	300 V	EA1	90201	PTC015-N300-P3E	C173-5M	19
C113	Used on Model 445 only						
C114	68 pF	500 V	MICA	84171	DML5-680J	C21-68P	19

DIODES

Circuit Desig.	Type	Mfr. Code	Mfr. Part No.	Keithley Part No.	Fig. Ref.
D101	Silicon	13327	1N4139	RF-34	19
D102	Silicon	13327	1N4139	RF-34	19
D103	Silicon	01295	1N645	RF-14	19
D104	Silicon	01295	1N645	RF-14	19
D105	Silicon	01295	1N645	RF-14	19
D106	Silicon	01295	1N645	RF-14	19
D107	Silicon	01295	1N645	RF-14	19
D108	Silicon	01295	1N645	RF-14	19
D109	Silicon	01295	1N645	RF-14	19
D110	Zener	04713	1N936	DZ-5	19
D111	Silicon	02735	1N3255	RF-17	19
D112	Silicon	01295	1N645	RF-14	19
D113	Not Used				

MISCELLANEOUS PARTS

Circuit Desig.	Description	Mfr. Code	Mfr. Part No.	Keithley Part No.	Fig. Ref.
F101 (117V)	Fuse, slow blow, 3/8 A	71400	Type MDL	FU-18	3
F101 (234V)	Fuse, quick acting, 200 mA	75915	361.200	FU-24	3
---	Fuse Holder	75915	342012	FH-3	-
P101	Cord Set, 6 feet	93656	4638-13	CO-5	3
S101	Slide Switch, 117-234V	80164	SW-151	SW-151	3
S102	Toggle Switch, POWER	80164	SW-265	SW-265	2
T101	Power Transformer	80164	TR-114	TR-114	16

POWER SUPPLY PARTS LIST
 "100" SERIES, PC-210
 RESISTORS

Circuit Desig.	Value	Rating	Type	Mfr. Code	Mfr. Part No.	Keithley Part No.	Fig. Ref.
R101	6.8 k Ω	10%, 1/4 W	Comp	44655	RC07	R76-6.8K	19
R102	0.2 Ω	+10%, 4.25 W	TCu	91637	CW-2	R151-0.2	19
R103	10 k Ω	1%, 1/8 W	MtF	07716	CEA	R88-10K	19
R104	1.1 k Ω	1%, 1/8 W	MtF	07716	CEA	R88-1.1K	19
R105	1 k Ω	10%, 1/4 W	Comp	44655	RC07	R76-1K	19
R106	100 Ω	1%, 1/8 W	MtF	07716	CEA	R88-100	19
R107	150 Ω	1%, 1/8 W	MtF	07716	CEA	R88-150	19
R108	33 k Ω	10%, 1/4 W	Comp	44655	RC07	R76-33K	19
R109	3 Ω	1%, 1/2 W	DCb	91637	DCF-1/2	R12-3	19
R110	680 Ω	10%, 1/4 W	Comp	44655	RC07	R76-680	19
R111	3.3 k Ω	10%, 1/4 W	Comp	44655	RC07	R76-3.3K	19
R112	4.7 k Ω	10%, 1/4 W	Comp	44655	RC07	R76-4.7K	19
R113	3.3 k Ω	10%, 1/4 W	Comp	44655	RC07	R76-3.3K	19
R114	4.75 k Ω	1%, 1/8 W	MtF	07716	CEA	R88-4.75K	19
R115	2 k Ω	20%, 2 W	WWVar	71450	INS 115	RP50-2K	19
R116	8.06 k Ω	1%, 1/8 W	MtF	07716	CEA	R88-8.06K	19
R117	18.2 k Ω	1%, 1/8 W	MtF	07716	CEA-T0-18.2k Ω	R88-18.2K	19
R118	7.5 k Ω	1%, 1/8 W	MtF	07716	CEA	R88-7.5K	19
R119	33 k Ω	10%, 1/4 W	Comp	44655	RC07	R76-33K	19
R120	3 Ω	1%, 1/2 W	DCb	91637	DCF-1/2	R12-3	19
R121	33 k Ω	10%, 1/4 W	Comp	44655	RC07	R76-33K	19
R122	33 k Ω	10%, 1/4 W	Comp	44655	RC07	R76-33K	19
R123	7.5 k Ω	1%, 1/8 W	MtF	07716	CEA	R88-7.5 K	19
R124	82 Ω	10%, 1/2 W	Comp	01121	EB	R1-82	19
R125	1 M Ω	10%, 1/4 W	Comp	44655	RC07	R76-1M	19
R126	100 k Ω	10%, 1/4 W	Comp	44655	RC07	R76-100K	19
R127	56 k Ω	10%, 1/4 W	Comp	44655	RC07	R76-56K	19
R128	80.6 k Ω	1%, 1/2 W	MtF	07716	CEC	R94-80.6K	19
R129	7.32 k Ω	1%, 1/8 W	MtF	07716	CEA	R88-7.32K	19
R130	1.5 k Ω	10%, 1/4 W	Comp	44655	RC07	R76-1.5K	19
R131	1 k Ω	10%, 1/4 W	Comp	44655	RC07	R76-1K	19
R132	12 k Ω	10%, 1/4 W	Comp	44655	RC07	R76-1.5K	19
R133	10 k Ω	10%, 1/4 W	Comp	44655	RC07	R76-10K	19

TRANSISTORS

Circuit Desig.	Mfr. Code	Mfr. Part No.	Keithley Part No.	Fig. Ref.
Q101	02735	2N5183	TG-68	19
Q102	71279	ES-5321	TG-54	19
Q103	07263	2N3565	TG-39	19
Q104	07263	2N3565	TG-39	19
Q105	07263	S17638	TG-33	19
Q106	07263	2N3565	TG-39	19
Q107	02734	40317	TG-43	19
Q108	07263	2N3565	TG-39	19
Q109	07263	2N3565	TG-39	19
Q110	07263	S17638	TG-33	19
Q111	02734	40319	TG-50	19
Q112	07263	S17638	TG-33	19
Q113	07263	S17638	TG-33	19
Q114	07263	2N3565	TG-39	19
Q115	07263	2N3565	TG-39	19

POWER SUPPLY PARTS LIST
 "100" SERIES, PC-210
 TRANSISTORS (cont'd)

Circuit Desig.	Mfr. Code	Mfr. Part No.	Keithley Part No.	Fig. Ref.
Q116	07263	S17638	TG-33	19
Q117	07263	S17638	TG-33	19
Q118	02735	40346	TG-44	19
Q119	02735	40346	TG-44	19
Q120	07263	2N3565	TG-39	19

POLARITY BOARD PARTS LIST
 ("200" Series, PC-207)

CAPACITORS

Circuit Desig.	Value	Rating	Type	Mfr. Code	Mfr. Part No.	Keithley Part No.	Fig. Ref.
C201	150 pF	600 V	CerD	72982	ED-150	C22-150P	17
C202	150 pF	600 V	CerD	72982	ED-150	C22-150P	17

INTEGRATED CIRCUITS

Circuit Desig.	Description	Mfr. Code	Mfr. Part No.	Keithley Part No.	Fig. Ref.
QA201	Dual J-K Flip-Flop	04713	MC890P	IC-8	17
QA202	Quad 2 Input Gate	04713	MC824P	IC-5	17
QA203	Quad 2 Input Gate	04713	MC824P	IC-5	17
QA204	Quad 2 Input Gate	04713	MC824P	IC-5	17
QA205	Not Used				
QA206	Dual J-K Flip-Flop	04713	MC890P	IC-8	17
QA207	Dual 3 Input Buffer, non-inverting	04713	MC888P	IC-6	17
QA301	Dual J-K Flip-Flop	04713	MC890P	IC-8	17
QA302	Dual J-K Flip-Flop	04713	MC890P	IC-8	17
QA303	Quad 2 Input Gate	04713	MC824P	IC-5	17
QA304	Hex Inverter	04713	MC889P	IC-7	17

LAMPS

Circuit Desig.	Description	Mfr. Code	Mfr. Part No.	Keithley Part No.	Fig. Ref.
B5201	⊥ Polarity Pilot Light	91802	2330 Series	PL-43	17

RESISTORS

Circuit Desig.	Value	Rating	Type	Mfr. Code	Mfr. Part No.	Keithley Part No.	Fig. Ref.
R201	270	10%, 1/2 W	Comp	44655	RC07	R76-270	17
R202	2.2	10%, 1/4 W	Comp	44655	RC07	R76-2.2K	17
R203	1.5	10%, 1/4 W	Comp	44655	RC07	R76-1.5K	17
R204	1.5	10%, 1/4 W	Comp	44655	RC07	R76-1.5K	17

TRANSISTORS

Circuit Desig.	Mfr. Code	Mfr. Part No.	Keithley Part No.	Fig. Ref.
Q201	02735	2N5184	TG-67	17
Q202	02735	2N5184	TG-67	17

THOUSAND BOARD PARTS LIST
("300" Series, PC-208)

INTEGRATED CIRCUITS

Circuit Desig.	Description	Mfr. Code	Mfr. Part No.	Keithley Part No.	Fig. Ref.
QA301	Dual J-K Flip-Flop	04713	MC890P	IC-8	18
QA302	Dual J-K Flip-Flop	04713	MC890P	IC-8	18
QA303	Quad 2 Input Gate	04713	MC824P	IC-5	18
QA304	Hex Inverter	04713	MC889P	IC-7	18

LAMPS

Circuit Desig.	Description	Mfr. Code	Mfr. Part No.	Keithley Part No.	Fig. Ref.
DS301	Pilot Light, front panel thousands tube	80164	PL-42	PL-42	18

RESISTORS

Circuit Desig.	Value	Rating	Type	Mfr. Code	Mfr. Part No.	Keithley Part No.	Fig. Ref.
R301	1.5 k Ω	10%, 1/4 W	Comp	44655	RC07	R76-1.5K	18
R302	100 k Ω	10%, 1 W	Comp	01121	G3	RD-100K	18

TRANSISTORS

Circuit Desig.	Mfr. Code	Mfr. Part No.	Keithley Part No.	Fig. Ref.
Q301	02735	2N5184	TG-07	18

READOUT BOARD PARTS LIST
("400" Series, PC-229)

CONNECTORS

Circuit Desig.	Description	Mfr. Code	Mfr. Part No.	Keithley Part No.	Fig. Ref.
P401	Plug, 5 pins, connects to J1206	73690	02-006-105-6-200	CS-223	24
P402	Plug, 22 pins, connects to J1207	73690	02-006-105-6-200	CS-222	24

INTEGRATED CIRCUITS

Circuit Desig.	Description	Mfr. Code	Mfr. Part No.	Keithley Part No.	Fig. Ref.
QA401	Dual J-K Flip-Flop	04713	MC891P	IC-9	24
QA402	Dual J-K Flip-Flop	04713	MC891P	IC-9	24
QA403	Dual J-K Flip-Flop	04713	MC891P	IC-9	24
QA404	Dual J-K Flip-Flop	04713	MC890P	IC-8	24
QA405	Dual J-K Flip-Flop	04713	MC890P	IC-8	24
QA406	Dual J-K Flip-Flop	04713	MC890P	IC-8	24
QA407	Quad 2 Input Gate	04713	MC824P	IC-5	24
QA408	Quad 2 Input Gate	04713	MC824P	IC-5	24
QA409	Dual J-K Flip-Flop	04713	MC890P	IC-8	24
QA410	Dual J-K Flip-Flop	04713	MC890P	IC-8	24

READOUT BOARD PARTS LIST
 "400" SERIES, PC-229
 INTEGRATED CIRCUITS (cont'd)

Circuit Desig.	Description	Mfr. Code	Mfr. Part No.	Keithley Part No.	Fig. Ref.
QA411	Dual J-K Flip-Flop	04713	MC890P	IC-8	24
QA412	Dual J-K Flip-Flop	04713	MC890P	IC-8	24
QA413	Dual J-K Flip-Flop	04713	MC890P	IC-8	24
QA414	Dual J-K Flip-Flop	04713	MC890P	IC-8	24
QA415	Decimal Decoder/Driver	07263	U6B996079X	IC-3	24
QA416	Decimal Decoder/Driver	07263	U6B996079X	IC-3	24
QA417	Decimal Decoder/Driver	07263	U6B996079X	IC-3	24

READOUT TUBES

Circuit Desig.	Description	Mfr. Code	Mfr. Part No.	Keithley Part No.	Fig. Ref.
V401	Units Readout Tube	83594	B5750	EV-5750	24
V402	Tens Readout Tube	83594	B5750	EV-5750	24
V403	Hundreds Readout Tube	83594	B5750	EV-5750	24

RESISTORS

Circuit Desig.	Value	Rating	Type	Mfr. Code	Mfr. Part No.	Keithley Part No.	Fig. Ref.
R401	10 kΩ	5%, 1/2 W	Comp	01121	EB	R19-10K	24
R402	10 kΩ	5%, 1/2 W	Comp	01121	EB	R19-10K	24
R403	10 kΩ	5%, 1/2 W	Comp	01121	EB	R19-10K	24

OSCILLATOR BOARD PARTS LIST
 ("500" Series, PC-217)

CAPACITORS

Circuit Desig.	Value	Rating	Type	Mfr. Code	Mfr. Part No.	Keithley Part No.	Fig. Ref.
C501	.0022 μF	100 V	Poly	13934	E3FR-222-1-C	C152-.0022M	20
C502	.001 μF	100 V	Poly	13934	E3FR-222-1-C	C152-.001M	20
C503	4.5-25 pF	500 V	CerTrimmer	71590	802AZ	C76-4.5-25P	20
C504	22 pF	500 V	Mica	84171	DM15-220J	C21-22P	20
C505	470 pF	600 V	CerD	72982	ED-470	C22-470P	20
C506	220 pF	600 V	CerD	72982	ED-220	C22-220P	20
C507	56 μF	15 V	ETT	17554	CCZ01556610	C234-56M	20
C508	10 μF	20 V	ETT	17554	TSD2-20-106	C179-10M	20

MISCELLANEOUS PARTS

Circuit Desig.	Description	Mfr. Code	Mfr. Part No.	Keithley Part No.	Fig. Ref.
D501	Diode, Silicon	01295	1N645	RF-14	20
D502	Diode, Silicon	01295	1N645	RF-14	20
D503	Diode, Silicon	01295	1N914	RF-14	20
J501	Not Used				
QA501	Quad 2 Input Gate	04713	MC824P	IC-5	20
QA502	Quad 2 Input Gate	04713	MC824P	IC-5	20
Y501	Crystal, 60 Hz	80164	CR-1	CR-1	20
	Crystal, 50 Hz	80164	CR-2	CR-2	20

OSCILLATOR BOARD PARTS LIST
"500" SERIES, PC-217
RESISTORS

Circuit Desig.	Value	Rating	Type	Mfr. Code	Mfr. Part No.	Keithley Part No.	Fig. Ref.
R501	3.3 k Ω	10%, 1/4 W	Comp	44655	RC07	R76-3.3K	20
R502	33 k Ω	10%, 1/4 W	Comp	44655	RC07	R76-33K	20
R503	68.1 Ω	1%, 1/8 W	MtF	07716	CEA	R88-68.1	20
R504	4.99 k Ω	1%, 1/8 W	MtF	07716	CEA	R88-4.99K	20
R505	1 k Ω	10%, 1/4 W	Comp	44655	RC07	R76-1K	20
R506	1 k Ω	10%, 1/4 W	Comp	44655	RC07	R76-1K	20
R507	1 k Ω	1%, 1/8 W	MtF	07716	CEA	R88-1K	20
R508	470 Ω	10%, 1/4 W	Comp	44655	RC07	R76-470	20
R509	4.7 k Ω	10%, 1/4 W	Comp	44655	RC07	R76-4.7K	20
R510	56 k Ω	10%, 1/4 W	Comp	44655	RC07	R76-56K	20
R511	4.7 k Ω	10%, 1/4 W	Comp	44655	RC07	R76-4.7K	20
R512	470 Ω	10%, 1/4 W	Comp	44655	RC07	R76-470	20
R513	680 Ω	10%, 1/4 W	Comp	44655	RC07	R76-680	20
R514	470 Ω	10%, 1/4 W	Comp	44655	RC07	R76-470	20
R515	237 Ω	1%, 1/8 W	MtF	07716	CEA	R88-236	20
R516	1 k Ω	1%, 1/8 W	MtF	07716	CEA	R88-1K	20
R517	4.99 k Ω	1%, 1/8 W	MtF	07716	CEA	R88-4.99K	20
R518	56 k Ω	10%, 1/4 W	Comp	44655	RC07	R76-56K	20
R519	237 Ω	1%, 1/8 W	MtF	07716	CEA	R88-237	20
R520	3.3 k Ω	10%, 1/4 W	Comp	44655	RC07	R76-3.3K	20
R521	Not Used						
R522	Not Used						
R523	Not Used						
R524	1 k Ω	10%, 1/4 W	Comp	44655	RC07	R76-1K	20
R525	10 k Ω	10%, 1/4 W	Comp	44655	RC07	R76-10K	20
R526	1 k Ω	10%, 1/4 W	Comp	44655	RC07	R76-1K	20
R527	3.9 k Ω	10%, 1/4 W	Comp	44655	RC07	R76-3.9K	20
R528	3.9 k Ω	10%, 1/4 W	Comp	44655	RC07	R76-3.9K	20
R529	330 Ω	10%, 1/4 W	Comp	44655	RC07	R76-330	20
R530	1.5 k Ω	10%, 1/4 W	Comp	44655	RC07	R76-1.5K	20
R531	5.6 k Ω	10%, 1/4 W	Comp	44655	RC07	R76-5.6K	20
R532	10 k Ω	10%, 1/4 W	Comp	44655	RC07	R76-10K	20
R533	10 k Ω	10%, 1/4 W	Comp	44655	RC07	R76-10	20
R534	1.5 k Ω	10%, 1/4 W	Comp	44655	RC07	R76-1.5K	20
R535	100 Ω	1%, 1/8 W	MtF	07716	CEA	R88-100	20
R536	47 Ω	10%, 1/4 W	Comp	44655	RC07	R76-47	20
R537	33 Ω	10%, 1/4 W	Comp	44655	RC07	R76-33	20
R538	4.02 k Ω	1%, 1/8 W	MtF	07716	CEA	R88-4.02K	20

TRANSISTORS

Circuit Desig.	Mfr. Code	Mfr. Part No.	Keithley Part No.	Fig. Ref.
Q501	07263	2N5134	TG-65	20
Q502	07263	2N5134	TG-65	20
Q503	07263	2N5134	TG-65	20
Q504	07263	2N5139	TC-66	20
Q505	07263	2N5134	TG-65	20
Q506	07263	2N5139	TC-66	20
Q507	07263	2N5134	TG-65	20
Q508	07263	2N5139	TC-66	20
Q509	07263	2N5134	TG-65	20
Q510	07263	2N5134	TG-65	20

OSCILLATOR BOARD PARTS LIST
 "500" SERIES, PC-217
 TRANSISTORS (cont'd)

Circuit Desig.	Mfr. Code	Mfr. Part No.	Keithley Part No.	Fig. Ref.
Q511	Not Used			
Q512	Not Used			
Q513	07263	2N5134	TG-65	20
Q514	03508	2N2646	TG-52	20

INTEGRATOR BOARD PARTS LIST
 ("600" Series, PC-219)

CAPACITORS

Circuit Desig.	Value	Rating	Type	Mfr. Code	Mfr. Part No.	Keithley Part No.	Fig. Ref.
C601	100 pF	600 V	CerD	72982	ED-100	C22-100P	21
C602	10 pF	500 V	Poly	71590	CPR-10J	C138-10P	21
C603	0.082 F	100 V	Poly	13934	E3FR-22-1-C	C152-.082M	21
C604	10 F	20 V	ETT	17554	TSD2-20-106	C179-10M	21
C605	220 pF	600 V	CerD	72982	ED-220	C22-220P	21
C606	220 pF	600 V	CerD	72982	ED-220	C22-220P	21
C607	.0047 F	600 V	CerD	72982	ED-.0047	C22-.0047M	21
C608	0.1 F	250 V		73445	C280AE/P100K	C178-.1M	21
C609	10 F	20 V	ETT	17554	TSD2-20-106	C179-10M	21
C610	22 pF	1000 V	CerD	56289	5GAQ22	C72-22P	21
C611	0.1 F	250 V		73445	C280AE/P100K	C178-.1M	21
C612	10 pF	20 V	ETT	17554	TSD2-20-106	C179-10M	21
C613	10 F	20 V	ETT	17554	TSD2-20-106	C179-10M	21
C614	22 F	10 V	ETT	17554	TSD2-10-226	C180-22M	21

DIODES

Circuit Desig.	Type	Mfr. Code	Mfr. Part No.	Keithley Part No.	Fig. Ref.
D601	Zener	04713	1N936	DZ-5	21
D602	Zener	04713	1N936	DZ-5	21
D603	Silicon	07263	2N3565	TG-39	21
D604	Silicon	07263	2N3565	TG-39	21
D605	Silicon	01295	1N645	RF-14	21
D606	Silicon	01295	1N645	RF-14	21
D607	Silicon	01295	1N914	RF-28	21
D608	Silicon	01295	1N914	RF-28	21
D609	Silicon	01295	1N645	RF-14	21
D610	Silicon	01295	1N645	RF-14	21
D611	Silicon	01295	1N645	RF-14	21
D612	Silicon	01295	1N645	RF-14	21
D613	Silicon	01295	1N914	RF-28	21
D614	Silicon	01295	1N914	RF-28	21
D615	Silicon	01295	1N645	RF-14	21

INTEGRATOR BOARD PARTS LIST
"600" SERIES, PC-217
INTEGRATED CIRCUITS

Circuit Desig.	Description	Mfr. Code	Mfr. Part No.	Keithley Part No.	Fig. Ref.
QA601	Integrated Circuit	12040	LM-201	IC-2	21
QA602	Integrated Circuit	12040	LM-201	IC-2	21
QA603	High Speed Differential Comparator	07263	U5B771039X	IC-4	21
QA605	Quad 2 Input Gate	04713	MC824P	IC-5	21

RESISTORS

Circuit Desig.	Value	Rating	Type	Mfr. Code	Mfr. Part No.	Keithley Part No.	Fig. Ref.
R601	10 k Ω	10%, 1/4 W	Comp	44655	RC07	R76-10K	21
R602	*	1%, 1/8 W	MeF	91637	MMF-1/8	R177-*	21
R603	7.5 k Ω	1%, 1/8 W	MeF	07716	CEA	R88-7.5K	21
R604	7.5 k Ω	1%, 1/8 W	MeF	07716	CEA	R88-7.5K	21
R605	7.5 k Ω	1%, 1/8 W	MeF	07716	CEA	R88-7.5K	21
R606	10 k Ω	+20%, 3/4 W	Cermet	73138	77PR10K	RP64-10K	21
R607	*	1%, 1/8 W	MeF	91637	MMF-1/8	R177-*	21
R608	7.5 k Ω	1%, 1/8 W	MeF	07716	CEA	R88-7.5K	21
R609	7.5 k Ω	1%, 1/8 W	MeF	07716	CEA	R88-7.5K	21
R610	7.5 k Ω	1%, 1/8 W	MeF	07716	CEA	R88-7.5K	21
R611	10 k Ω	+20%, 3/4 W	Cermet	73138	77PR10K	RP64-10K	21
R612	10 k Ω	10%, 1/4 W	Comp	44655	RC07	R76-10K	21
R613	Not Used						
R614	499 Ω	1%, 1/8 W	MeF	07716	CEA	R88-499	21
R615	49.9 k Ω	1%, 1/8 W	MeF	91637	MMF-1/8	R177-49.9K	21
R616	680 Ω	10%, 1/4 W	Comp	44655	RC07	R76-680	21
R617	680 Ω	10%, 1/4 W	Comp	44655	RC07	R76-680	21
R618	33 k Ω	10%, 1/4 W	Comp	44655	RC07	R76-33K	21
R619	4.7 k Ω	10%, 1/4 W	Comp	44655	RC07	R76-4.7K	21
R620	33 k Ω	10%, 1/4 W	Comp	44655	RC07	R76-33K	21
R621	4.7 k Ω	10%, 1/4 W	Comp	44655	RC07	R76-4.7K	21
R622	4.7 k Ω	10%, 1/4 W	Comp	44655	RC07	R76-4.7K	21
R623	4.7 k Ω	10%, 1/4 W	Comp	44655	RC07	R76-4.7K	21
R624	49.9 k Ω	1%, 1/8 W	MeF	91637	MMF-1/8	R177-49.9K	21
R625	100 k Ω	10%, 1/4 W	Comp	44655	RC07	R76-100K	21
R626	237 Ω	1%, 1/8 W	MeF	07716	CEA	R88-237	21
R627	301 k Ω	1%, 1/8 W	MeF	07716	CEA	R88-301K	21
R628	47 Ω	10%, 1/4 W	Comp	44655	RC07	R76-47	21
R629	100 k Ω	10%, 1/4 W	Comp	44655	RC07	R76-100K	21
R630	158 Ω	1%, 1/8 W	MeF	07716	CEA	R88-158	21
R631	158 Ω	1%, 1/8 W	MeF	07716	CEA	R88-158	21
R632	200 Ω	+20%, 3/4 W	Cermet	73138	77PR200	RP64-200	21
R633	301 k Ω	1%, 1/8 W	MeF	07716	CEA	R88-301K	21
R634	1.5 k Ω	10%, 1/4 W	Comp	44655	RC07	R76-1.5K	21
R635	47 Ω	10%, 1/4 W	Comp	44655	RC07	R76-47	21
R636	2.2 k Ω	10%, 1/4 W	Comp	44655	RC07	R76-2.2K	21
R637	47 Ω	10%, 1/4 W	Comp	44655	RC07	R76-47	21
R638	47 Ω	10%, 1/4 W	Comp	44655	RC07	R76-47	21
R639	1.5 k Ω	10%, 1/4 W	Comp	44655	RC07	R76-1.5K	21
R640	1.5 k Ω	10%, 1/4 W	Comp	44655	RC07	R76-1.5K	21

INTEGRATOR BOARD PARTS LIST
"600" SERIES, PC-217
RESISTORS (cont'd)

Circuit Desig.	Value	Rating	Type	Mfr. Code	Mfr. Part No.	Keithley Part No.	Fig. Ref.
R641	100 Ω	10%, 1/4 W	Comp	44655	RC07	R76-100	21
R642	10 Ω	10%, 1/4 W	Comp	44655	RC07	R76-10	21
R643	3.01 k Ω	1%, 1/8 W	MtF	07716	CEA	R88-3.01K	21
R644	1 k Ω	1%, 1/8 W	MtF	07716	CEA	R88-1K	21
R645	5.6 k Ω	10%, 1/4 W	Comp	44655	RC07	R76-5.6K	21
R646	5.6 k Ω	10%, 1/4 W	Comp	44655	RC07	R76-5.6K	21
R647	10 Ω	10%, 1/4 W	Comp	44655	RC07	R76-10	21
R648	402 Ω	1%, 1/8 W	MtF	07716	CEA	R88-402	21
R649	200 Ω	-20%, 3/4 W	Cermet	73138	77PR200	RP64-200	21
R650	402 Ω	1%, 1/8 W	MtF	07716	CEA	R88-402	21
R651	3.3 k Ω	10%, 1/4 W	Comp	44655	RC07	R76-3.3K	21
R652	820 Ω	10%, 1/4 W	Comp	44655	RC07	R76-820	21
R653	2.2 k Ω	10%, 1/4 W	Comp	44655	RC07	R76-2.2K	21
R654	220 Ω	10%, 1/4 W	Comp	44655	RC07	R76-220	21
R655	10 k Ω	10%, 1/4 W	Comp	44655	RC07	R76-10K	21
R656	6.98 k Ω	1%, 1/8 W	MtF	07716	CEA	R88-6.98K	21
R657	6.04 k Ω	1%, 1/8 W	MtF	07716	CEA	R88-6.04K	21

TRANSISTORS

Circuit Desig.	Mfr. Code	Mfr. Part No.	Keithley Part No.	Fig. Ref.
Q601	07263	2N5139	TG-66	21
Q602	07263	2N5139	TG-66	21
Q603	07263	2N5134	TG-65	21
Q604	07263	2N5134	TG-65	21
Q605	04713	2N4220	TG-42	21
Q606	04713	2N4220	TG-42	21
Q607	01295	SF5043	TG-40	21
Q608	01295	SF5043	TG-40	21
Q609	07263	S17638	TG-33	21

MODEL 4401 OUTPUT BUFFER BOARD PARTS LIST
("1000" Series, PC-218)

NOTE

On schematic diagram 23457D there are 15 buffers labeled 'A' through 'P' not including 'I'. Each buffer is composed of 4 resistors and 3 transistors. A sample buffer circuit is given in the lower left hand corner of the schematic. Following is a sample replaceable parts list for each buffer.

BUFFER RESISTORS (A thru P)

Circuit Desig.	Value	Rating	Type	Mfr. Code	Mfr. Part No.	Keithley Part No.	Fig. Ref.
R1001	180 k Ω	10%, 1/4 W	Comp	44655	RC07	R76-180K	26
R1002	3.9 k Ω	10%, 1/4 W	Comp	44655	RC07	R76-3.9K	26
R1003	120 k Ω	10%, 1/4 W	Comp	44655	RC07	R76-120K	26
R1004	10 k Ω	10%, 1/4 W	Comp	44655	RC07	R76-10K	26

MODEL 4401 OUTPUT BUFFER PARTS LIST
 "1000" SERIES, PC-218
 BUFFER TRANSISTORS (A thru P)

Circuit Desig.	Mfr. Code	Mfr. Part No.	Keithley Part No.	Fig. Ref.
Q1001	07263	2N3565	TG-39	26
Q1002	07263	2N3565	TG-39	26
Q1003	07263	2N3565	TG-39	26

MODEL 4401 OUTPUT BUFFER BOARD PARTS LIST
 ("1100" Series, PC-209)

CAPACITORS

Circuit Desig.	Value	Rating	Type	Mfr. Code	Mfr. Part No.	Keithley Part No.	Fig. Ref.
C1101	.001 μ F	600 V	CerD	72982	ED-.001	C22-.001M	25
C1102	.0033 μ F	600 V	CerD	72982	ED-.0033	C22-.0033M	25
C1103	.001 μ F	600 V	CerD	72982	ED-.001	C22-.001M	25
C1104	0.1 μ F	250 V		73445	C280AE/P100K	C178-0.1M	25
C1105	100 pF	600 V	CerD	72982	ED-100	C22-100P	25
C1106	100 pF	600 V	CerD	72982	ED-100	C22-100P	25
C1107	470 pF	600 V	CerD	72982	ED-470	C22-470P	25
C1108	470 pF	600 V	CerD	72982	ED-470	C22-470P	25
C1109	22 μ F	10 V	ETT	17554	TSD2-10-226	C180-22M	25
C1110	10 μ F	20 V	ETT	17554	TSD2-20-106	C179-10M	25

INTEGRATED CIRCUITS

Circuit Desig.	Description	Mfr. Code	Mfr. Part No.	Keithley Part No.	Fig. Ref.
QA1101	Quad 2 Input Gate	04713	MC824P	IC-5	25
QA1102	Quad 2 Input Gate	04713	MC824P	IC-5	25

RESISTORS

Circuit Desig.	Value	Rating	Type	Mfr. Code	Mfr. Part No.	Keithley Part No.	Fig. Ref.
R1101	1 k Ω	10%, 1/4 W	Comp	44655	RC07	R76-1K	25
R1102	3.3 k Ω	10%, 1/4 W	Comp	44655	RC07	R76-3.3K	25
R1103	1 k Ω	10%, 1/4 W	Comp	44655	RC07	R76-1K	25
R1104	3.3 k Ω	10%, 1/4 W	Comp	44655	RC07	R76-3.3K	25
R1105	120 k Ω	10%, 1/4 W	Comp	44655	RC07	R76-120K	25
R1106	10 k Ω	10%, 1/4 W	Comp	44655	RC07	R76-10K	25
R1107	180 k Ω	10%, 1/4 W	Comp	44655	RC07	R76-180K	25
R1108	2.2 k Ω	10%, 1/4 W	Comp	44655	RC07	R76-2.2K	25
R1109	1 k Ω	10%, 1/4 W	Comp	44655	RC07	R76-1K	25
R1110	10 k Ω	10%, 1/4 W	Comp	44655	RC07	R76-10K	25
R1111	120 k Ω	10%, 1/4 W	Comp	44655	RC07	R76-120K	25
R1112	180 k Ω	10%, 1/4 W	Comp	44655	RC07	R76-180K	25
R1113	2.2 k Ω	10%, 1/4 W	Comp	44655	RC07	R76-2.2K	25
R1114	6.98 k Ω	1%, 1/8 W	MtF	07716	CEA	R88-6.98K	25
R1115	6.04 k Ω	1%, 1/8 W	MtF	07716	CEA	R88-6.04K	25
R1116	2 k Ω	1%, 1/8 W	MtF	07716	CEA	R88-2K	25
R1117	120 k Ω	10%, 1/4 W	Comp	44655	RC07	R76-120K	25
R1118	10 k Ω	10%, 1/4 W	Comp	44655	RC07	R76-10K	25
R1119	180 k Ω	10%, 1/4 W	Comp	44655	RC07	R76-180K	25
R1120	3.9 k Ω	10%, 1/4 W	Comp	44655	RC07	R76-3.9K	25

MODEL 4401 OUTPUT BUFFER PARTS LIST
 "1100" SERIES, PC-209
 TRANSISTORS

Circuit Desig.		Mfr. Code	Mfr. Part No.	Keithley Part No.	Fig. Ref.
Q1101		07263	2N3565	TG-39	25
Q1102		07263	2N3565	TG-39	25
Q1103	Not Used				
Q1104		07263	2N3565	TG-39	25
Q1105		07263	2N3565	TG-39	25
Q1106		07263	2N3565	TG-39	25
Q1107		07263	2N3565	TG-39	25
Q1108		07263	2N3565	TG-39	25
Q1109		07263	2N3565	TG-39	25
Q1110		07263	2N3565	TG-39	25

NOTE

On schematic diagram 23481E there are 6 buffers labeled 'A' through 'F'. Each buffer is composed of 5 resistors and 3 transistors. A sample buffer circuit is given on the schematic. Following is a sample replaceable parts list for each buffer.

BUFFER RESISTORS (A thru F)

Circuit Desig.	Value	Rating	Type	Mfr. Code	Mfr. Part No.	Keithley Part No.	Fig. Ref.
R1121	10 k Ω	10%, 1/4 W	Comp	44655	RC07	R76-10K	25
R1122	120 k Ω	10%, 1/4 W	Comp	44655	RC07	R76-120K	25
R1123	10 k Ω	10%, 1/4 W	Comp	44655	RC07	R76-10K	25
R1124	180 k Ω	10%, 1/4 W	Comp	44655	RC07	R76-180K	25
R1125	3.9 k Ω	10%, 1/4 W	Comp	44655	RC07	R76-3.9K	25

BUFFER TRANSISTORS (A thru F)

Circuit Desig.		Mfr. Code	Mfr. Part No.	Keithley Part No.	Fig. Ref.
Q1111		07263	2N3565	TG-39	25
Q1112		07263	2N3565	TG-39	25
Q1113		07263	2N3565	TG-39	25

CODE TO NAME LIST.

Code List of Suggested Manufacturers. (Based on Federal Supply Code for Manufacturers, Cataloging Handbook H4-1).

01121	Allen-Bradley Corp. 1201 South 2nd Street Milwaukee, Wis. 53204	13050	Potter Co. Highway 51 N. Wesson, Miss. 39191	73138	Beckman Instruments, Inc. Helipot Division 2500 Harbor Blvd. Fullerton, Calif. 92634
01295	Texas Instruments, Inc. Semiconductor-Components Div. 13500 N. Central Expressway Dallas, Texas 75231	13327	Solitron Devices, Inc. 256 Oak Tree Road Tappan, New York 10983	73445	Ampere Electronic Co., Div. of North American Philips Co. Hicksville, N.Y.
01686	RCL Electronics, Inc. 195 McGregor Street Manchester, N.H. 03102	13934	Midwec Corp. 602 Main Oshkosh, Nebr. 69154	73690	Elco Resistor Co. 1158 Broadway New York, New York
02660	Amphenol Electronics, Corp. 2801 South 25th Avenue Broadview, Ill. 60153	17554	Components, Inc. Smith Street Biddeford, Maine 04005	75915	Littlefuse, Inc. 800 E. Northwest Highway Des Plaines, Ill. 60016
02734	Radio Corp. of America Defense Electronic Products Camden, New Jersey	24655	General Radio Co. 22 Baker Avenue West Concord, Mass. 01781	80164	Keithley Instruments, Inc. 28775 Aurora Road Cleveland, Ohio 44139
02735	Radio Corp. of America Commercial Receiving Tube & Semiconductor Division Somerville, N.J.	27682	Hathaway Instruments, Inc. 5800 E. Jewell Avenue Denver, Colorado 80222	83594	Burroughs Corp. Electronic Components Div. Post Office Box 1226 Plainfield, N.J. 07061
03508	General Electric Company Semiconductor Products Dept. Electronics Park Syracuse, New York 13201	44635	Ohmite Mfg. Co. 3601 Howard Street Skokie, Illinois 60076	84171	Arco Electronics, Inc. Community Drive Great Neck, N.Y. 11022
04713	Motorola Semiconductor Products, Inc. 5005 East McDowell Road Phoenix, Ariz. 85008	56289	Sprague Electric Co. North Adams, Mass.	84790	Dura Corp. Implement Div.-P.O. Box 231 Zanesville, Ohio 43702
05397	Union Carbide Corp. Electronics Division 270 Park Avenue New York, New York 10017	58474	Superior Electric Co., The 383 Middle Street Bristol, Conn. 06012	90201	Mallory Capacitor 3029 West Washington Post Office Box 372 Indianapolis, Ind. 46206
07263	Fairchild Camera & Instrument Corp., Semiconductor Division 313 Frontage Road Mountain View, Calif.	71279	Cambridge Thermionic Corp. 430 Concord Avenue Cambridge, Mass.	91637	Dale Electronics, Inc. Post Office Box 609 Columbus, Nebr. 68601
07716	IRC, Inc. 2850 Mt. Pleasant Burlington, Iowa 52601	71400	Busmann Mfg. Div. of McGraw-Edison Co. 2538 W. University Street St. Louis, Mo.	91662	Elco Corp. Willow Grove, Pa.
09922	Burndy Corp. Richards Avenue Norwalk, Conn. 06852	71450	CTS Corp. 1142 W. Beardsley Avenue Elkhart, Ind.	91802	Industrial Devices, Inc. 982 River Road Edgewater, New Jersey 07020
12040	National Semiconductor Corp. Commerce Drive Post Office Box 443 Danbury, Conn. 06813	71590	Centralab Division of Globe-Union, Inc. 932 E. Keefe Avenue Milwaukee, Wis. 53212	93656	Electric Cord Co. 1275 Bloomfield Avenue Caldwell, N.J.
		72982	Erie Technological Products, Inc. 644 W. 12th Street Erie, Pa. 16512	95712	Dage Electric Co., Inc. Hurricane Road Franklin, Indiana

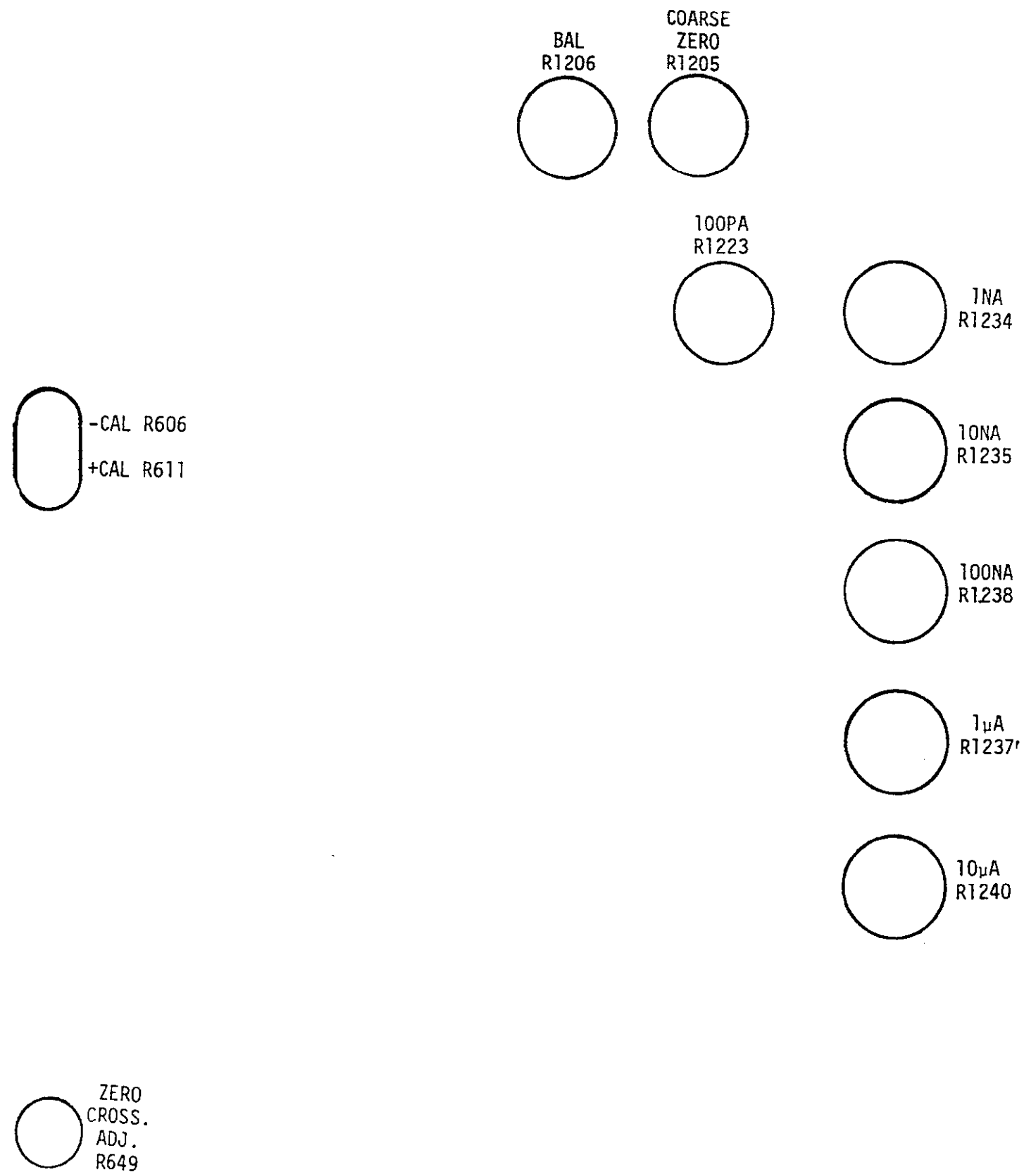


FIGURE 30. Template, Top Cover.

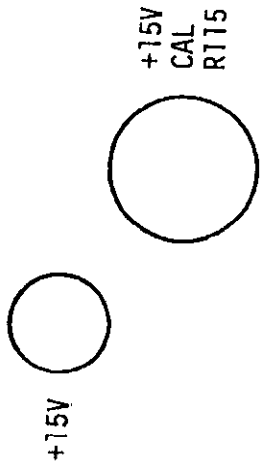
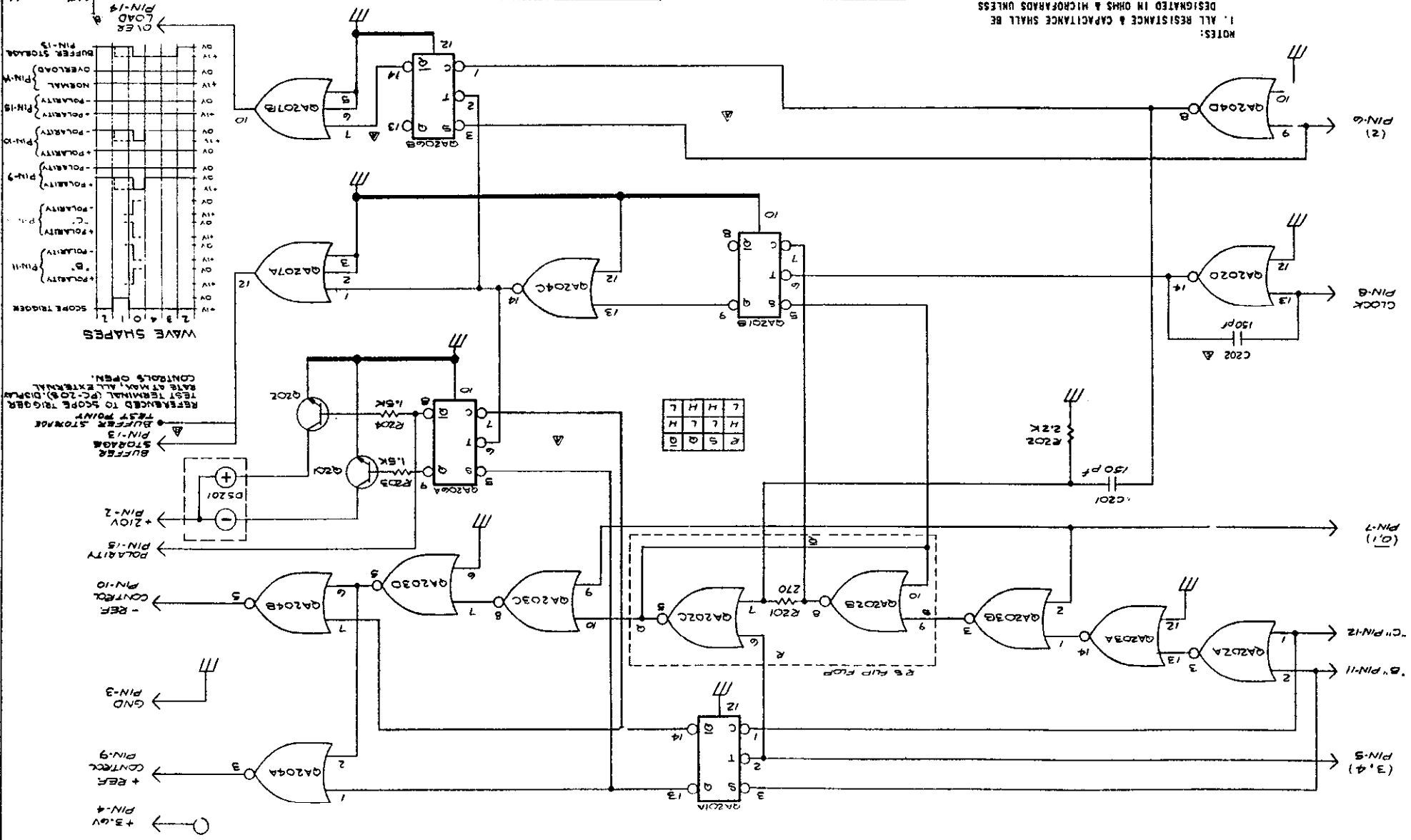


FIGURE 31. Template, Bottom Cover.

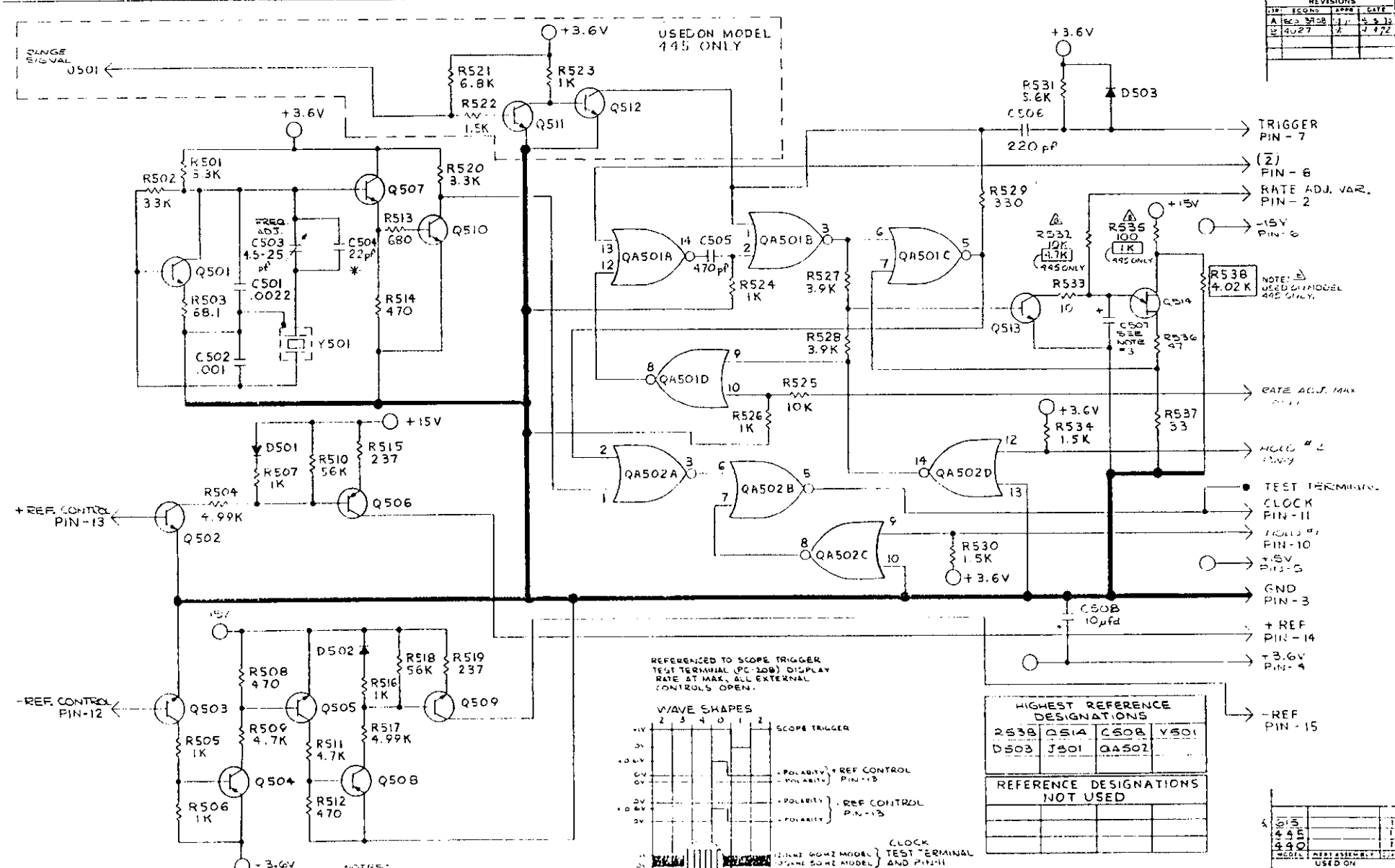
REFERENCE DESIGNATIONS
 NOT USED

HIGHEST REFERENCES
 DESIGNATIONS
 Q201 Q202 Q203 Q204 Q205 Q206 Q207

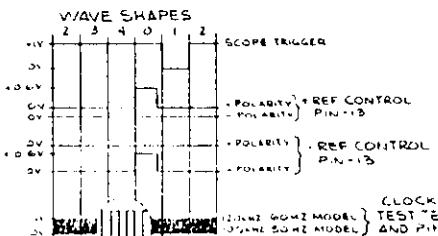
NOTES:
 1. ALL RESISTANCE & CAPACITANCE SHALL BE DESIGNATED IN OHMS & MICROFARADS UNLESS OTHERWISE NOTED.
 2. R - 1000 OHMS P1 - PICOFARAD



REVISIONS			
REV.	REASON	DATE	BY
1	REVISED	11/11/59	JL
2	REVISED	11/11/59	JL



REFERENCED TO SCOPE TRIGGER
TEST TERMINAL (PC-208) DISPLAY
RATE AT MAX, ALL EXTERNAL
CONTROLS OPEN.



HIGHEST REFERENCE DESIGNATIONS			
R538	Q51A	C508	Y501
D503	J501	QA502	

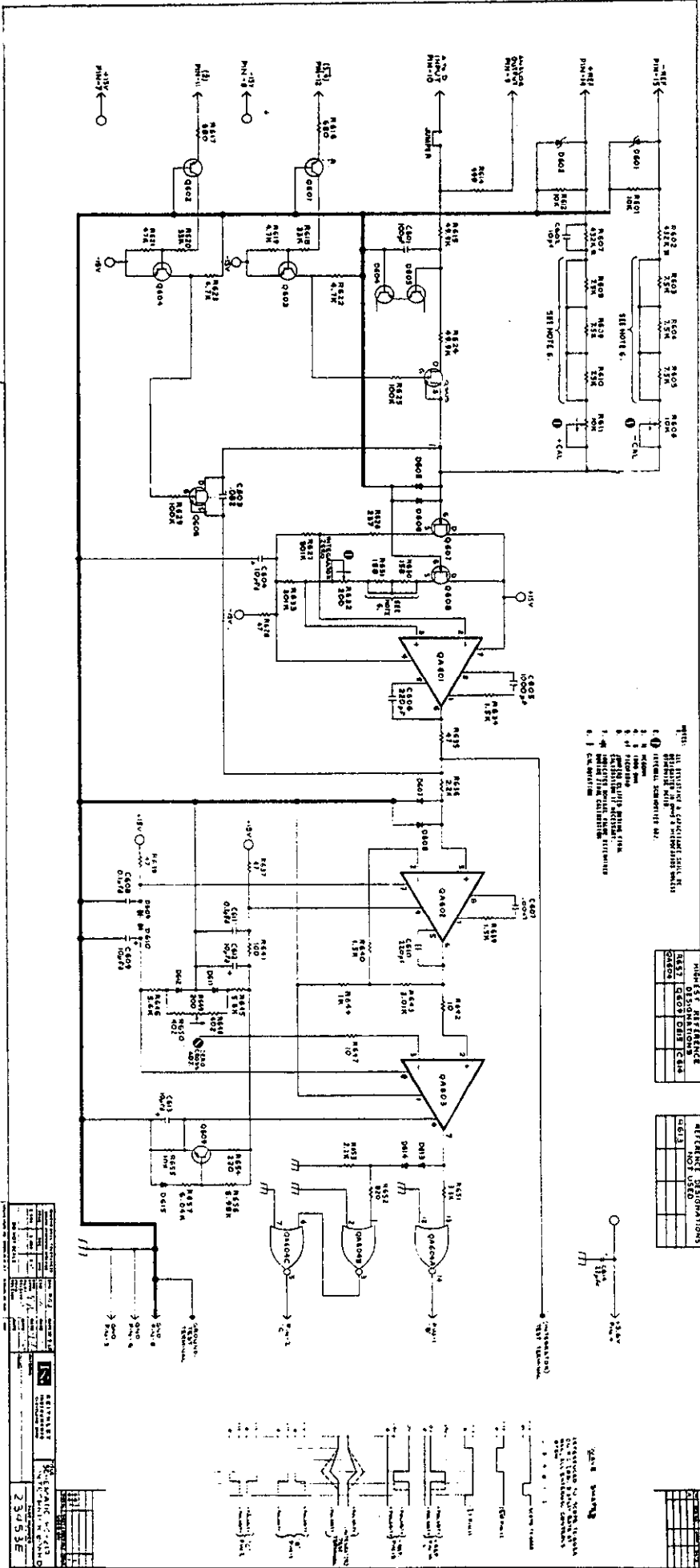
REFERENCE DESIGNATIONS NOT USED			

- NOTES:
- ALL RESISTOR & CAPACITANCE VALUES ARE DESIGNATED BY THE CIRCUITRY UNLESS OTHERWISE NOTED & NOMINAL VALUE.
 - SEE MECHANICAL DRAWING FOR DIMENSIONS.
 - USE 100% TOLERANCE UNLESS OTHERWISE NOTED.

DESIGNER	DATE	DRW. NO.	REV.
END APPR.	DATE	REV.	
PHOTO RELEASE	DATE	REV.	
PROD. RELEASE	DATE	REV.	

KEITHLEY INSTRUMENTS
CLEVELAND, OHIO

TITLE SHEET
PART NUMBER
254520



- WITH: ALL INTEGRATED CIRCUITS ARE IN SILICONES AND HAVE 2 MICROSECONDS DELAY (TYPICAL) CHARACTERISTICS ARE:
- 1. 74180
 - 2. 74181
 - 3. 74182
 - 4. 74183
 - 5. 74184
 - 6. 74185
 - 7. 74186
 - 8. 74187
 - 9. 74188
 - 10. 74189
 - 11. 74190
 - 12. 74191
 - 13. 74192
 - 14. 74193
 - 15. 74194
 - 16. 74195
 - 17. 74196
 - 18. 74197
 - 19. 74198
 - 20. 74199
 - 21. 74200
 - 22. 74201
 - 23. 74202
 - 24. 74203
 - 25. 74204
 - 26. 74205
 - 27. 74206
 - 28. 74207
 - 29. 74208
 - 30. 74209
 - 31. 74210
 - 32. 74211
 - 33. 74212
 - 34. 74213
 - 35. 74214
 - 36. 74215
 - 37. 74216
 - 38. 74217
 - 39. 74218
 - 40. 74219
 - 41. 74220
 - 42. 74221
 - 43. 74222
 - 44. 74223
 - 45. 74224
 - 46. 74225
 - 47. 74226
 - 48. 74227
 - 49. 74228
 - 50. 74229
 - 51. 74230
 - 52. 74231
 - 53. 74232
 - 54. 74233
 - 55. 74234
 - 56. 74235
 - 57. 74236
 - 58. 74237
 - 59. 74238
 - 60. 74239
 - 61. 74240
 - 62. 74241
 - 63. 74242
 - 64. 74243
 - 65. 74244
 - 66. 74245
 - 67. 74246
 - 68. 74247
 - 69. 74248
 - 70. 74249
 - 71. 74250
 - 72. 74251
 - 73. 74252
 - 74. 74253
 - 75. 74254
 - 76. 74255
 - 77. 74256
 - 78. 74257
 - 79. 74258
 - 80. 74259
 - 81. 74260
 - 82. 74261
 - 83. 74262
 - 84. 74263
 - 85. 74264
 - 86. 74265
 - 87. 74266
 - 88. 74267
 - 89. 74268
 - 90. 74269
 - 91. 74270
 - 92. 74271
 - 93. 74272
 - 94. 74273
 - 95. 74274
 - 96. 74275
 - 97. 74276
 - 98. 74277
 - 99. 74278
 - 100. 74279
 - 101. 74280
 - 102. 74281
 - 103. 74282
 - 104. 74283
 - 105. 74284
 - 106. 74285
 - 107. 74286
 - 108. 74287
 - 109. 74288
 - 110. 74289
 - 111. 74290
 - 112. 74291
 - 113. 74292
 - 114. 74293
 - 115. 74294
 - 116. 74295
 - 117. 74296
 - 118. 74297
 - 119. 74298
 - 120. 74299
 - 121. 74300
 - 122. 74301
 - 123. 74302
 - 124. 74303
 - 125. 74304
 - 126. 74305
 - 127. 74306
 - 128. 74307
 - 129. 74308
 - 130. 74309
 - 131. 74310
 - 132. 74311
 - 133. 74312
 - 134. 74313
 - 135. 74314
 - 136. 74315
 - 137. 74316
 - 138. 74317
 - 139. 74318
 - 140. 74319
 - 141. 74320
 - 142. 74321
 - 143. 74322
 - 144. 74323
 - 145. 74324
 - 146. 74325
 - 147. 74326
 - 148. 74327
 - 149. 74328
 - 150. 74329
 - 151. 74330
 - 152. 74331
 - 153. 74332
 - 154. 74333
 - 155. 74334
 - 156. 74335
 - 157. 74336
 - 158. 74337
 - 159. 74338
 - 160. 74339
 - 161. 74340
 - 162. 74341
 - 163. 74342
 - 164. 74343
 - 165. 74344
 - 166. 74345
 - 167. 74346
 - 168. 74347
 - 169. 74348
 - 170. 74349
 - 171. 74350
 - 172. 74351
 - 173. 74352
 - 174. 74353
 - 175. 74354
 - 176. 74355
 - 177. 74356
 - 178. 74357
 - 179. 74358
 - 180. 74359
 - 181. 74360
 - 182. 74361
 - 183. 74362
 - 184. 74363
 - 185. 74364
 - 186. 74365
 - 187. 74366
 - 188. 74367
 - 189. 74368
 - 190. 74369
 - 191. 74370
 - 192. 74371
 - 193. 74372
 - 194. 74373
 - 195. 74374
 - 196. 74375
 - 197. 74376
 - 198. 74377
 - 199. 74378
 - 200. 74379
 - 201. 74380
 - 202. 74381
 - 203. 74382
 - 204. 74383
 - 205. 74384
 - 206. 74385
 - 207. 74386
 - 208. 74387
 - 209. 74388
 - 210. 74389
 - 211. 74390
 - 212. 74391
 - 213. 74392
 - 214. 74393
 - 215. 74394
 - 216. 74395
 - 217. 74396
 - 218. 74397
 - 219. 74398
 - 220. 74399
 - 221. 74400
 - 222. 74401
 - 223. 74402
 - 224. 74403
 - 225. 74404
 - 226. 74405
 - 227. 74406
 - 228. 74407
 - 229. 74408
 - 230. 74409
 - 231. 74410
 - 232. 74411
 - 233. 74412
 - 234. 74413
 - 235. 74414
 - 236. 74415
 - 237. 74416
 - 238. 74417
 - 239. 74418
 - 240. 74419
 - 241. 74420
 - 242. 74421
 - 243. 74422
 - 244. 74423
 - 245. 74424
 - 246. 74425
 - 247. 74426
 - 248. 74427
 - 249. 74428
 - 250. 74429
 - 251. 74430
 - 252. 74431
 - 253. 74432
 - 254. 74433
 - 255. 74434
 - 256. 74435
 - 257. 74436
 - 258. 74437
 - 259. 74438
 - 260. 74439
 - 261. 74440
 - 262. 74441
 - 263. 74442
 - 264. 74443
 - 265. 74444
 - 266. 74445
 - 267. 74446
 - 268. 74447
 - 269. 74448
 - 270. 74449
 - 271. 74450
 - 272. 74451
 - 273. 74452
 - 274. 74453
 - 275. 74454
 - 276. 74455
 - 277. 74456
 - 278. 74457
 - 279. 74458
 - 280. 74459
 - 281. 74460
 - 282. 74461
 - 283. 74462
 - 284. 74463
 - 285. 74464
 - 286. 74465
 - 287. 74466
 - 288. 74467
 - 289. 74468
 - 290. 74469
 - 291. 74470
 - 292. 74471
 - 293. 74472
 - 294. 74473
 - 295. 74474
 - 296. 74475
 - 297. 74476
 - 298. 74477
 - 299. 74478
 - 300. 74479
 - 301. 74480
 - 302. 74481
 - 303. 74482
 - 304. 74483
 - 305. 74484
 - 306. 74485
 - 307. 74486
 - 308. 74487
 - 309. 74488
 - 310. 74489
 - 311. 74490
 - 312. 74491
 - 313. 74492
 - 314. 74493
 - 315. 74494
 - 316. 74495
 - 317. 74496
 - 318. 74497
 - 319. 74498
 - 320. 74499
 - 321. 74500

HIGH-Z REFERENCE

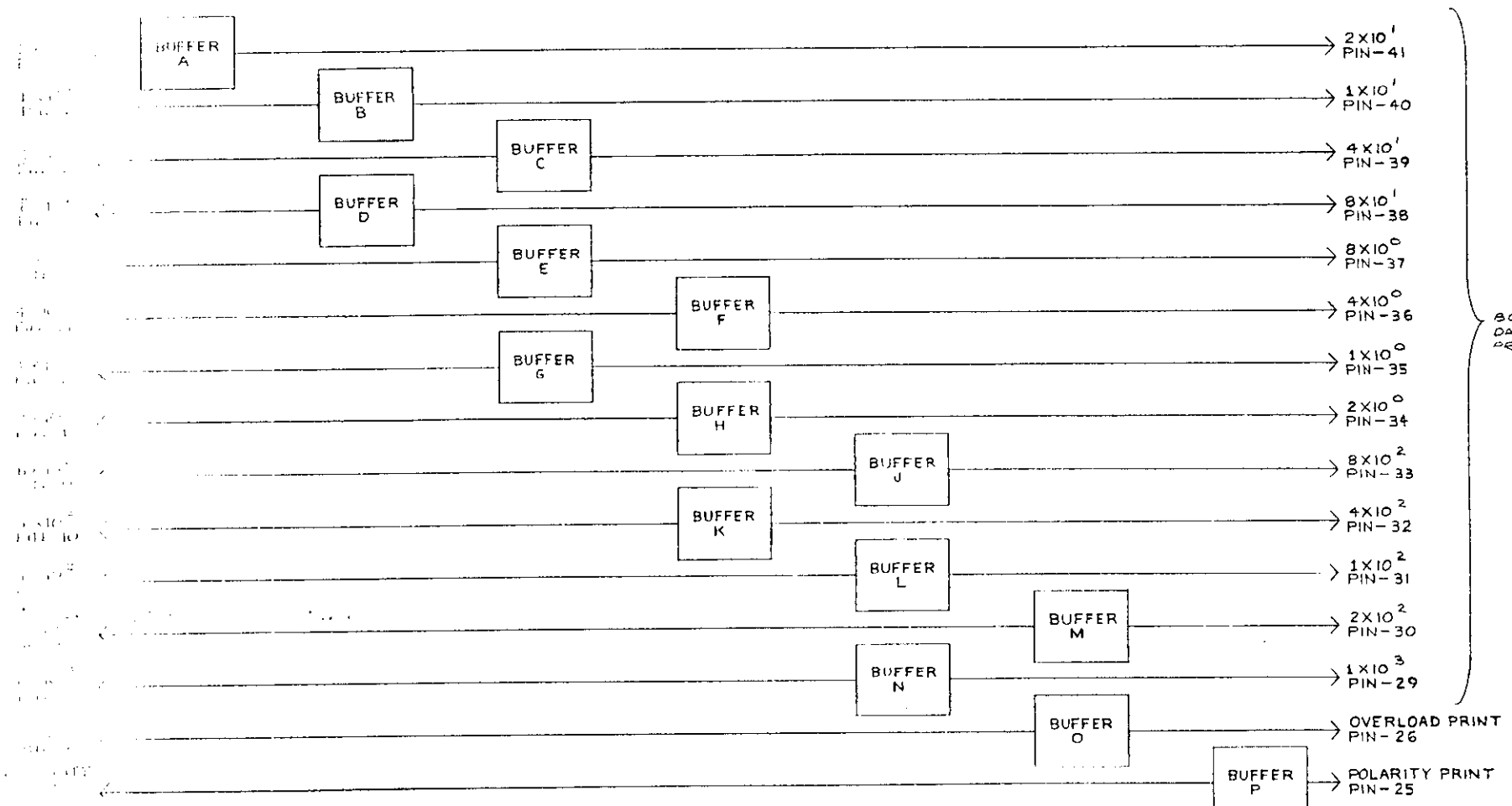
74180	74181	74182	74183	74184	74185	74186	74187	74188	74189	74190	74191	74192	74193	74194	74195	74196	74197	74198	74199	74200	74201	74202	74203	74204	74205	74206	74207	74208	74209	74210	74211	74212	74213	74214	74215	74216	74217	74218	74219	74220	74221	74222	74223	74224	74225	74226	74227	74228	74229	74230	74231	74232	74233	74234	74235	74236	74237	74238	74239	74240	74241	74242	74243	74244	74245	74246	74247	74248	74249	74250	74251	74252	74253	74254	74255	74256	74257	74258	74259	74260	74261	74262	74263	74264	74265	74266	74267	74268	74269	74270	74271	74272	74273	74274	74275	74276	74277	74278	74279	74280	74281	74282	74283	74284	74285	74286	74287	74288	74289	74290	74291	74292	74293	74294	74295	74296	74297	74298	74299	74300	74301	74302	74303	74304	74305	74306	74307	74308	74309	74310	74311	74312	74313	74314	74315	74316	74317	74318	74319	74320	74321	74322	74323	74324	74325	74326	74327	74328	74329	74330	74331	74332	74333	74334	74335	74336	74337	74338	74339	74340	74341	74342	74343	74344	74345	74346	74347	74348	74349	74350	74351	74352	74353	74354	74355	74356	74357	74358	74359	74360	74361	74362	74363	74364	74365	74366	74367	74368	74369	74370	74371	74372	74373	74374	74375	74376	74377	74378	74379	74380	74381	74382	74383	74384	74385	74386	74387	74388	74389	74390	74391	74392	74393	74394	74395	74396	74397	74398	74399	74400
-------	-------	-------	-------	-------	-------	-------	-------	-------	-------	-------	-------	-------	-------	-------	-------	-------	-------	-------	-------	-------	-------	-------	-------	-------	-------	-------	-------	-------	-------	-------	-------	-------	-------	-------	-------	-------	-------	-------	-------	-------	-------	-------	-------	-------	-------	-------	-------	-------	-------	-------	-------	-------	-------	-------	-------	-------	-------	-------	-------	-------	-------	-------	-------	-------	-------	-------	-------	-------	-------	-------	-------	-------	-------	-------	-------	-------	-------	-------	-------	-------	-------	-------	-------	-------	-------	-------	-------	-------	-------	-------	-------	-------	-------	-------	-------	-------	-------	-------	-------	-------	-------	-------	-------	-------	-------	-------	-------	-------	-------	-------	-------	-------	-------	-------	-------	-------	-------	-------	-------	-------	-------	-------	-------	-------	-------	-------	-------	-------	-------	-------	-------	-------	-------	-------	-------	-------	-------	-------	-------	-------	-------	-------	-------	-------	-------	-------	-------	-------	-------	-------	-------	-------	-------	-------	-------	-------	-------	-------	-------	-------	-------	-------	-------	-------	-------	-------	-------	-------	-------	-------	-------	-------	-------	-------	-------	-------	-------	-------	-------	-------	-------	-------	-------	-------	-------	-------	-------	-------	-------	-------	-------	-------	-------	-------	-------	-------	-------	-------	-------	-------	-------	-------	-------	-------	-------	-------	-------	-------	-------	-------	-------	-------	-------	-------	-------	-------	-------	-------	-------	-------

REFERENCE DESIGNATIONS

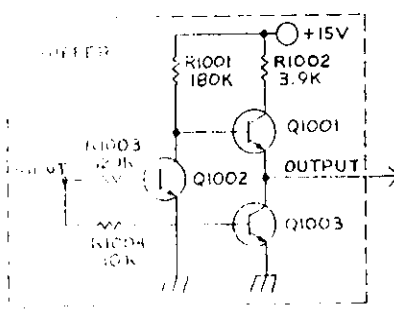
74180	74181	74182	74183	74184	74185	74186	74187	74188	74189	74190	74191	74192	74193	74194	74195	74196	74197	74198	74199	74200	74201	74202	74203	74204	74205	74206	74207	74208	74209	74210	74211	74212	74213	74214	74215	74216	74217	74218	74219	74220	74221	74222	74223	74224	74225	74226	74227	74228	74229	74230	74231	74232	74233	74234	74235	74236	74237	74238	74239	74240	74241	74242	74243	74244	74245	74246	74247	74248	74249	74250	74251	74252	74253	74254	74255	74256	74257	74258	74259	74260	74261	74262	74263	74264	74265	74266	74267	74268	74269	74270	74271	74272	74273	74274	74275	74276	74277	74278	74279	74280	74281	74282	74283	74284	74285	74286	74287	74288	74289	74290	74291	74292	74293	74294	74295	74296	74297	74298	74299	74300	74301	74302	74303	74304	74305	74306	74307	74308	74309	74310	74311	74312	74313	74314	74315	74316	74317	74318	74319	74320	74321	74322	74323	74324	74325	74326	74327	74328	74329	74330	74331	74332	74333	74334	74335	74336	74337	74338	74339	74340	74341	74342	74343	74344	74345	74346	74347	74348	74349	74350	74351	74352	74353	74354	74355	74356	74357	74358	74359	74360	74361	74362	74363	74364	74365	74366	74367	74368	74369	74370	74371	74372	74373	74374	74375	74376	74377	74378	74379	74380	74381	74382	74383	74384	74385	74386	74387	74388	74389	74390	74391	74392	74393	74394	74395	74396	74397	74398	74399	74400
-------	-------	-------	-------	-------	-------	-------	-------	-------	-------	-------	-------	-------	-------	-------	-------	-------	-------	-------	-------	-------	-------	-------	-------	-------	-------	-------	-------	-------	-------	-------	-------	-------	-------	-------	-------	-------	-------	-------	-------	-------	-------	-------	-------	-------	-------	-------	-------	-------	-------	-------	-------	-------	-------	-------	-------	-------	-------	-------	-------	-------	-------	-------	-------	-------	-------	-------	-------	-------	-------	-------	-------	-------	-------	-------	-------	-------	-------	-------	-------	-------	-------	-------	-------	-------	-------	-------	-------	-------	-------	-------	-------	-------	-------	-------	-------	-------	-------	-------	-------	-------	-------	-------	-------	-------	-------	-------	-------	-------	-------	-------	-------	-------	-------	-------	-------	-------	-------	-------	-------	-------	-------	-------	-------	-------	-------	-------	-------	-------	-------	-------	-------	-------	-------	-------	-------	-------	-------	-------	-------	-------	-------	-------	-------	-------	-------	-------	-------	-------	-------	-------	-------	-------	-------	-------	-------	-------	-------	-------	-------	-------	-------	-------	-------	-------	-------	-------	-------	-------	-------	-------	-------	-------	-------	-------	-------	-------	-------	-------	-------	-------	-------	-------	-------	-------	-------	-------	-------	-------	-------	-------	-------	-------	-------	-------	-------	-------	-------	-------	-------	-------	-------	-------	-------	-------	-------	-------	-------	-------	-------	-------	-------	-------	-------	-------	-------	-------	-------	-------	-------	-------

REVISIONS

NO.	DATE	DESCRIPTION
1	10/1/70	INITIAL DESIGN
2	10/15/70	REVISED TO ADD 74180
3	10/20/70	REVISED TO ADD 74181
4	10/25/70	REVISED TO ADD 74182
5	11/5/70	REVISED TO ADD 74183
6	11/15/70	REVISED TO ADD 74184
7	11/25/70	REVISED TO ADD 74185
8	12/5/70	REVISED TO ADD 74186
9	12/15/70	REVISED TO ADD 74187
10	12/25/70	REVISED TO ADD 74188
11	1/5/71	REVISED TO ADD 74189
12	1/15/71	REVISED TO ADD 74190
13	1/25/71	REVISED TO ADD 74191
14	2/5/71	REVISED TO ADD 74192
15	2/15/71	REVISED TO ADD 74193
16	2/25/71	REVISED TO ADD 74194
17	3/5/71	REVISED TO ADD 74195
18	3/15/71	REVISED TO ADD 74196
19	3/25/71	REVISED TO ADD 74197
20	4/5/71	REVISED TO ADD 74198
21	4/15/71	REVISED TO ADD 74199
22	4/25/71	REVISED TO ADD 74200
23	5/5/71	REVISED TO ADD 74201
24	5/15/71	REVISED TO ADD 74202
25	5/25/71	REVISED TO ADD 74203
26	6/5/71	REVISED TO ADD 74204
27	6/15/71	REVISED TO ADD 74205
28	6/25/71	REVISED TO ADD 74206
29	7/5/71	REVISED TO ADD 74207
30	7/15/71	REVISED TO ADD 74208
31	7/25/71	REVISED TO ADD 74209
32	8/5/71	REVISED TO ADD 74210
33	8/15/71	REVISED TO ADD 74211
34	8/25/71	REVISED TO ADD 74212
35	9/5/71	REVISED TO ADD 74213
36	9/15/71	REVISED TO ADD 74214
37	9/25/71	REVISED TO ADD 74215
38	10/5/71	REVISED TO ADD 74216
39	10/15/71	REVISED TO ADD 74217
40	10/25/71	REVISED TO ADD 74218
41	11/5/71	REVISED TO ADD 74219
42	11/15/71	REVISED TO ADD 74220
43	11/25/71	REVISED TO ADD 74221
44	12/5/71	REVISED TO ADD 74222
45	12/15/71	REVISED TO ADD 74223
46	12/25/71	REVISED TO ADD 74224
47	1	

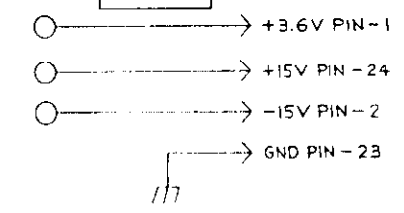


BCD
 DATA
 PRINT

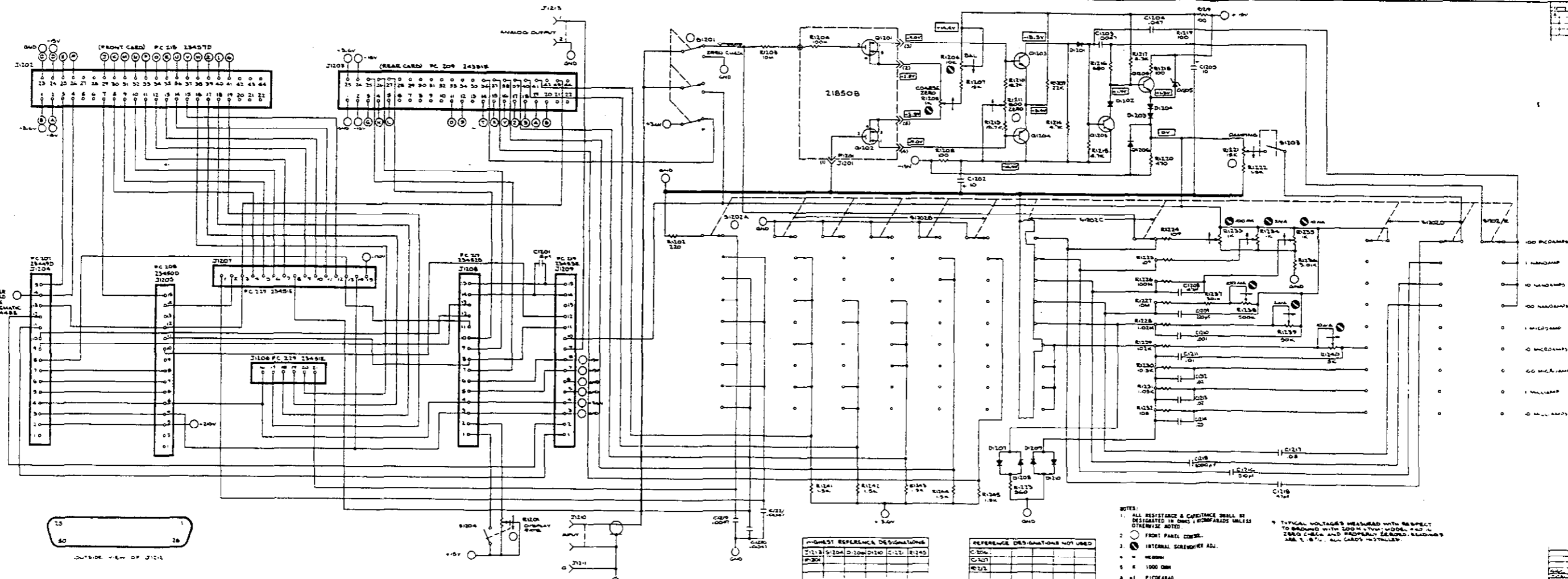


HIGHEST REFERENCE DESIGNATION			
R1004A	R1004B	R1004C	R1004D
R1004E	R1004F	R1004G	R1004H
R1004J	R1004K	R1004L	R1004M
R1004N	R1004O	R1004P	Q1003A
Q1003B	Q1003C	Q1003D	Q1003E
Q1003F	Q1003G	Q1003H	Q1003J
Q1003K	Q1003L	Q1003M	Q1003N
Q1003O	Q1003P		

REFERENCE DESIGNATION NOT USED			
R1001I	R1002I	R1003I	R1004I
Q1001I	Q1002I	Q1003I	



NO.	DESIGNATION
1	1A101 DATA INPUT
2	2A102 DATA INPUT
3	3A103 DATA INPUT
4	4A104 DATA INPUT
5	5A105 DATA INPUT
6	6A106 DATA INPUT
7	7A107 DATA INPUT
8	8A108 DATA INPUT
9	9A109 DATA INPUT
10	10A110 DATA INPUT
11	11A111 DATA INPUT
12	12A112 DATA INPUT
13	13A113 DATA INPUT
14	14A114 DATA INPUT
15	15A115 DATA INPUT
16	16A116 DATA INPUT
17	17A117 DATA INPUT
18	18A118 DATA INPUT
19	19A119 DATA INPUT
20	20A120 DATA INPUT
21	21A121 DATA INPUT
22	22A122 DATA INPUT
23	23A123 DATA INPUT
24	24A124 DATA INPUT
25	25A125 DATA INPUT
26	26A126 DATA INPUT
27	27A127 DATA INPUT
28	28A128 DATA INPUT
29	29A129 DATA INPUT
30	30A130 DATA INPUT
31	31A131 DATA INPUT
32	32A132 DATA INPUT
33	33A133 DATA INPUT
34	34A134 DATA INPUT
35	35A135 DATA INPUT
36	36A136 DATA INPUT
37	37A137 DATA INPUT
38	38A138 DATA INPUT
39	39A139 DATA INPUT
40	40A140 DATA INPUT
41	41A141 DATA INPUT
42	42A142 DATA INPUT
43	43A143 DATA INPUT
44	44A144 DATA INPUT
45	45A145 DATA INPUT
46	46A146 DATA INPUT
47	47A147 DATA INPUT
48	48A148 DATA INPUT
49	49A149 DATA INPUT
50	50A150 DATA INPUT
51	51A151 DATA INPUT
52	52A152 DATA INPUT
53	53A153 DATA INPUT
54	54A154 DATA INPUT
55	55A155 DATA INPUT
56	56A156 DATA INPUT
57	57A157 DATA INPUT
58	58A158 DATA INPUT
59	59A159 DATA INPUT
60	60A160 DATA INPUT
61	61A161 DATA INPUT
62	62A162 DATA INPUT
63	63A163 DATA INPUT
64	64A164 DATA INPUT
65	65A165 DATA INPUT
66	66A166 DATA INPUT
67	67A167 DATA INPUT
68	68A168 DATA INPUT
69	69A169 DATA INPUT
70	70A170 DATA INPUT
71	71A171 DATA INPUT
72	72A172 DATA INPUT
73	73A173 DATA INPUT
74	74A174 DATA INPUT
75	75A175 DATA INPUT
76	76A176 DATA INPUT
77	77A177 DATA INPUT
78	78A178 DATA INPUT
79	79A179 DATA INPUT
80	80A180 DATA INPUT
81	81A181 DATA INPUT
82	82A182 DATA INPUT
83	83A183 DATA INPUT
84	84A184 DATA INPUT
85	85A185 DATA INPUT
86	86A186 DATA INPUT
87	87A187 DATA INPUT
88	88A188 DATA INPUT
89	89A189 DATA INPUT
90	90A190 DATA INPUT
91	91A191 DATA INPUT
92	92A192 DATA INPUT
93	93A193 DATA INPUT
94	94A194 DATA INPUT
95	95A195 DATA INPUT
96	96A196 DATA INPUT
97	97A197 DATA INPUT
98	98A198 DATA INPUT
99	99A199 DATA INPUT
100	100A200 DATA INPUT
101	101A201 DATA INPUT
102	102A202 DATA INPUT
103	103A203 DATA INPUT
104	104A204 DATA INPUT
105	105A205 DATA INPUT
106	106A206 DATA INPUT
107	107A207 DATA INPUT
108	108A208 DATA INPUT
109	109A209 DATA INPUT
110	110A210 DATA INPUT
111	111A211 DATA INPUT
112	112A212 DATA INPUT
113	113A213 DATA INPUT
114	114A214 DATA INPUT
115	115A215 DATA INPUT
116	116A216 DATA INPUT
117	117A217 DATA INPUT
118	118A218 DATA INPUT
119	119A219 DATA INPUT
120	120A220 DATA INPUT
121	121A221 DATA INPUT
122	122A222 DATA INPUT
123	123A223 DATA INPUT
124	124A224 DATA INPUT
125	125A225 DATA INPUT
126	126A226 DATA INPUT
127	127A227 DATA INPUT
128	128A228 DATA INPUT
129	129A229 DATA INPUT
130	130A230 DATA INPUT
131	131A231 DATA INPUT
132	132A232 DATA INPUT
133	133A233 DATA INPUT
134	134A234 DATA INPUT
135	135A235 DATA INPUT
136	136A236 DATA INPUT
137	137A237 DATA INPUT
138	138A238 DATA INPUT
139	139A239 DATA INPUT
140	140A240 DATA INPUT
141	141A241 DATA INPUT
142	142A242 DATA INPUT
143	143A243 DATA INPUT
144	144A244 DATA INPUT
145	145A245 DATA INPUT
146	146A246 DATA INPUT
147	147A247 DATA INPUT
148	148A248 DATA INPUT
149	149A249 DATA INPUT
150	150A250 DATA INPUT
151	151A251 DATA INPUT
152	152A252 DATA INPUT
153	153A253 DATA INPUT
154	154A254 DATA INPUT
155	155A255 DATA INPUT
156	156A256 DATA INPUT
157	157A257 DATA INPUT
158	158A258 DATA INPUT
159	159A259 DATA INPUT
160	160A260 DATA INPUT
161	161A261 DATA INPUT
162	162A262 DATA INPUT
163	163A263 DATA INPUT
164	164A264 DATA INPUT
165	165A265 DATA INPUT
166	166A266 DATA INPUT
167	167A267 DATA INPUT
168	168A268 DATA INPUT
169	169A269 DATA INPUT
170	170A270 DATA INPUT
171	171A271 DATA INPUT
172	172A272 DATA INPUT
173	173A273 DATA INPUT
174	174A274 DATA INPUT
175	175A275 DATA INPUT
176	176A276 DATA INPUT
177	177A277 DATA INPUT
178	178A278 DATA INPUT
179	179A279 DATA INPUT
180	180A280 DATA INPUT
181	181A281 DATA INPUT
182	182A282 DATA INPUT
183	183A283 DATA INPUT
184	184A284 DATA INPUT
185	185A285 DATA INPUT
186	186A286 DATA INPUT
187	187A287 DATA INPUT
188	188A288 DATA INPUT
189	189A289 DATA INPUT
190	190A290 DATA INPUT
191	191A291 DATA INPUT
192	192A292 DATA INPUT
193	193A293 DATA INPUT
194	194A294 DATA INPUT
195	195A295 DATA INPUT
196	196A296 DATA INPUT
197	197A297 DATA INPUT
198	198A298 DATA INPUT
199	199A299 DATA INPUT
200	200A300 DATA INPUT
201	201A301 DATA INPUT
202	202A302 DATA INPUT
203	203A303 DATA INPUT
204	204A304 DATA INPUT
205	205A305 DATA INPUT
206	206A306 DATA INPUT
207	207A307 DATA INPUT
208	208A308 DATA INPUT
209	209A309 DATA INPUT
210	210A310 DATA INPUT
211	211A311 DATA INPUT
212	212A312 DATA INPUT
213	213A313 DATA INPUT
214	214A314 DATA INPUT
215	215A315 DATA INPUT
216	216A316 DATA INPUT
217	217A317 DATA INPUT
218	218A318 DATA INPUT
219	219A319 DATA INPUT
220	220A320 DATA INPUT
221	221A321 DATA INPUT
222	222A322 DATA INPUT
223	223A323 DATA INPUT
224	224A324 DATA INPUT
225	225A325 DATA INPUT
226	226A326 DATA INPUT
227	227A327 DATA INPUT
228	228A328 DATA INPUT
229	229A329 DATA INPUT
230	230A330 DATA INPUT
231	231A331 DATA INPUT
232	232A332 DATA INPUT
233	233A333 DATA INPUT
234	234A334 DATA INPUT
235	235A335 DATA INPUT
236	236A336 DATA INPUT
237	237A337 DATA INPUT
238	238A338 DATA INPUT
239	239A339 DATA INPUT
240	240A340 DATA INPUT
241	241A341 DATA INPUT
242	242A342 DATA INPUT
243	243A343 DATA INPUT
244	244A344 DATA INPUT
245	245A345 DATA INPUT
246	246A346 DATA INPUT
247	247A347 DATA INPUT
248	248A348 DATA INPUT
249	249A349 DATA INPUT
250	250A350 DATA INPUT
251	251A351 DATA INPUT
252	252A352 DATA INPUT
253	253A353 DATA INPUT
254	254A354 DATA INPUT
255	255A355 DATA INPUT
256	256A356 DATA INPUT
257	257A357 DATA INPUT
258	258A358 DATA INPUT
259	259A359 DATA INPUT
260	260A360 DATA INPUT
261	261A361 DATA INPUT
262	262A362 DATA INPUT
263	263A363 DATA INPUT
264	264A364 DATA INPUT
265	265A365 DATA INPUT
266	266A366 DATA INPUT
267	267A367 DATA INPUT
268	268A368 DATA INPUT
269	269A369 DATA INPUT
270	270A370 DATA INPUT
271	271A371 DATA INPUT
272	272A372 DATA INPUT
273	273A373 DATA INPUT
274	274A374 DATA INPUT
275	275A375 DATA INPUT
276	276A376 DATA INPUT
277	277A377 DATA INPUT
278	278A378 DATA INPUT
279	279A379 DATA INPUT
280	280A380 DATA INPUT
281	281A381 DATA INPUT
282	282A382 DATA INPUT
283	283A383 DATA INPUT
284	284A384 DATA INPUT
285	285A385 DATA INPUT
286	286A386 DATA INPUT
287	287A387 DATA INPUT
288	288A388 DATA INPUT
289	289A389 DATA INPUT
290	290A390 DATA INPUT
291	291A391 DATA INPUT
292	292A392 DATA INPUT
293	293A393 DATA INPUT
294	294A394 DATA INPUT
295	295A395 DATA INPUT
296	296A396 DATA INPUT
297	297A397 DATA INPUT
298	298A398 DATA INPUT
299	299A399 DATA INPUT
300	300A400 DATA INPUT
301	301A401 DATA INPUT
302	302A402 DATA INPUT
303	303A403 DATA INPUT
304	304A404 DATA INPUT
305	305A405 DATA INPUT
306	306A406 DATA INPUT
307	307A407 DATA INPUT
308	308A408 DATA INPUT
309	309A409 DATA INPUT
310	310A410 DATA INPUT
311	311A411 DATA INPUT
312	312A412 DATA INPUT
313	313A413 DATA INPUT
314	314A414 DATA INPUT
315	315A415 DATA INPUT
316	316A416 DATA INPUT
317	317A417 DATA INPUT
318	318A418 DATA INPUT
319	319A419 DATA INPUT
320	320A420 DATA INPUT
321	321A421 DATA INPUT
322	322A422 DATA INPUT
323	323A423 DATA INPUT
324	324A424 DATA INPUT
325	325A425 DATA INPUT
326	326A426 DATA INPUT
327	327A427 DATA INPUT
328	328A428 DATA INPUT
329	329A429 DATA INPUT
330	330A430 DATA INPUT
331	331A431 DATA INPUT
332	332A432 DATA INPUT
333	333A433 DATA INPUT
334	334A434 DATA INPUT
335	335A435 DATA INPUT
336	336A436 DATA INPUT
337	337A437 DATA INPUT
338	338A438 DATA INPUT
339	339A439 DATA INPUT
340	340A440 DATA INPUT
341	341A441 DATA INPUT
342	342A442 DATA INPUT
343	343A443 DATA INPUT
344	344A444 DATA INPUT
345	345A445 DATA INPUT
346	346A446 DATA INPUT
347	347A447 DATA INPUT
348	348A448 DATA INPUT
349	349A449 DATA INPUT
350	350A450 DATA INPUT
351	351A451 DATA INPUT
352	352A452 DATA INPUT
353	353A453 DATA INPUT
354	354A454 DATA INPUT
355	355A455 DATA INPUT
356	356A456 DATA INPUT
357	357A457 DATA INPUT
358	358A458 DATA INPUT
359	359A459 DATA INPUT
360	360A460 DATA INPUT
361	361A461 DATA INPUT
362	362A462 DATA INPUT
363	363A463 DATA INPUT
364	364A464 DATA INPUT
365	365A465 DATA INPUT
366	366A466 DATA INPUT
367	367A467 DATA INPUT
368	368A468 DATA INPUT
369	369A469 DATA INPUT
370	370A470 DATA INPUT
371	371A471 DATA INPUT
372	372A472 DATA INPUT
373	373A473 DATA INPUT
374	374A474 DATA INPUT
375	375A475 DATA INPUT
376	376A476 DATA INPUT
377	377A477 DATA INPUT
378	378A478 DATA INPUT
379	379A479 DATA INPUT
380	380A480 DATA INPUT
381	381A481 DATA INPUT
382	382A482 DATA INPUT
383	383A483 DATA INPUT
384	384A484 DATA INPUT
385	385A485 DATA INPUT
386	386A486 DATA INPUT
387	387A487 DATA INPUT
388	388A488 DATA INPUT
389	389A489 DATA INPUT
390	390A490 DATA INPUT
391	391A491 DATA INPUT
392	392A492 DATA INPUT
393	393A493 DATA INPUT
394	394A494 DATA INPUT
395	395A495 DATA INPUT
396	396A496 DATA INPUT
397	397A497 DATA INPUT
398	398A498 DATA INPUT
399	399A499 DATA INPUT
400	400A500 DATA INPUT



MODEL NO. _____ SERIAL NO. _____ DATE _____ R- _____

SHIP INSTRUMENT & FORM TO: PERSON USING THE INSTRUMENT:

SALES SERVICE DEPT. NAME _____ PHONE _____

KEITHLEY INSTRUMENTS, INC. COMPANY _____

28775 AURORA ROAD ADDRESS _____

CLEVELAND, OHIO 44139 CITY _____ STATE _____ ZIP _____

1. Describe problem and symptoms using quantitative data whenever possible (enclose readings, chart recordings, etc.) _____

 _____ (Attach additional sheets as necessary).
2. Show a block diagram of your measurement system including all instruments connected (whether power is turned on or not). Also describe signal source.
3. List the positions of all controls and switches on both front and rear panels of the instrument. _____

4. Describe input signal source levels, frequencies, etc. _____

5. List and describe all cables used in the experiment (length, shielding, etc.) _____

6. List and describe all other equipment used in the experiment. Give control settings for each. _____

7. Environment:
 Where is the measurement being performed? (Factory, controlled laboratory, out-of-doors, etc.) _____
 What power line voltage is used? _____ Variation? _____ Frequency? _____
 Ambient temperature? _____ °F. Variation? _____ °F. Rel. Humidity? _____
 Other? _____
8. Additional information. If special modifications have been made by the user, please _____



KEITHLEY INSTRUMENTS, INC.

INSTRUCTION MANUAL
CHANGE NOTICE
MODEL 440 DIGITAL PICOAMMETER

INTRODUCTION: Since Keithley Instruments is continually improving product performance and reliability, it is often necessary to make changes to Instruction Manuals to reflect these improvements. Also, errors in Instruction Manuals occasionally occur that require changes. Sometimes, due to printing lead time and shipping requirements, we can't get these changes immediately into printed Manuals. The following new change information is supplied as a supplement to this Manual in order to provide the user with the latest improvements and corrections in the shortest possible time. Many users will transfer this change information directly to a Manual to minimize user error. All changes are underlined.

CHANGES:

- (1) Page 46, Replaceable Parts, TRANSISTORS, change Q607 and Q608 to read as follows:
 Q607, N-Channel FET (Selected TG-71), 01295, TIS70, TG-40*, 21
 Q608, N-Channel FET (Selected TG-71), 01295, TIS70, TG-40*, 21
 *Order as a matched pair, Keithley Part No. TG-40
- (2) Page 44, Replaceable Parts, CAPACITORS, change C602 to read as follows:
 C602, 5pF, 200V, Poly, 00686, E1013-1, C31-5P, 21
- (3) Page 36, Replaceable Parts, DIODES, change as follows:
- | | | | | | |
|-------|----------------------------|------------|---------------|--------------|----|
| D1203 | <u>Rectifier, 1A, 800V</u> | <u>MOT</u> | <u>1N4006</u> | <u>RF-38</u> | 19 |
| D1204 | <u>Rectifier, 1A, 800V</u> | <u>MOT</u> | <u>1N4006</u> | <u>RF-38</u> | 19 |
| D1206 | <u>Rectifier, 1A, 800V</u> | <u>MOT</u> | <u>1N4006</u> | <u>RF-38</u> | 19 |
| D1207 | <u>Rectifier, 1A, 800V</u> | <u>MOT</u> | <u>1N4006</u> | <u>RF-38</u> | 19 |
| D1208 | <u>Rectifier, 1A, 800V</u> | <u>MOT</u> | <u>1N4006</u> | <u>RF-38</u> | 19 |
- (4) Page 38, Replaceable Parts, DIODES, change as follows
- | | | | | | |
|------|----------------------------|------------|---------------|--------------|----|
| D111 | <u>Rectifier, 1A, 800V</u> | <u>MOT</u> | <u>1N4006</u> | <u>RF-38</u> | 19 |
|------|----------------------------|------------|---------------|--------------|----|

KEITHLEY

Keithley Instruments, Inc. • 28775 Aurora Road • Cleveland, OH 44139 • 440-248-0400 • Fax: 440-248-6168 • <http://www.keithley.com>

BELGIUM:	Keithley Instruments B.V.	Bergensesteenweg 709 • B-1600 Sint-Pieters-Leeuw • 02/363 00 40 • Fax: 02/363 00 64
CHINA:	Keithley Instruments China	Yuan Chen Xin Building, Room 705 • 12 Yumin Road, Dewai, Madian • Beijing 100029 • 8610-62022886 • Fax: 8610-62022892
FRANCE:	Keithley Instruments Sarl	B.P. 60 • 3, allée des Garays • 91122 Palaiseau Cédex • 01 64 53 20 20 • Fax: 01 60 11 77 26
GERMANY:	Keithley Instruments GmbH	Landsberger Strasse 65 • D-82110 Germering • 089/84 93 07-40 • Fax: 089/84 93 07-34
GREAT BRITAIN:	Keithley Instruments Ltd	The Minster • 58 Portman Road • Reading, Berkshire RG30 1EA • 0118-9 57 56 66 • Fax: 0118-9 59 64 69
INDIA:	Keithley Instruments GmbH	Flat 2B, WILOCRISSA • 14, Rest House Crescent • Bangalore 560 001 • 91-80-509-1320/21 • Fax: 91-80-509-1322
ITALY:	Keithley Instruments s.r.l.	Viale S. Gimignano, 38 • 20146 Milano • 02/48 30 30 08 • Fax: 02/48 30 22 74
NETHERLANDS:	Keithley Instruments B.V.	Postbus 559 • 4200 AN Gorinchem • 0183-635333 • Fax: 0183-630821
SWITZERLAND:	Keithley Instruments SA	Kriesbachstrasse 4 • 8600 Dübendorf • 01-821 94 44 • Fax: 01-820 30 81
TAIWAN:	Keithley Instruments Taiwan	1 Fl. 85 Po Ai Street • Hsinchu, Taiwan, R.O.C. • 886-3572-9077 • Fax: 886-3572-9031