

# CE Mark Information for the DAS-1800 Series

---

**Note:** Products that contain the CE Mark are certified to meet European EMC directive 89/336 EEC. If this directive is not of importance to your application, please disregard the information in this document.

---

Keithley MetraByte certifies that this product has been tested and found to be in compliance with the EMC directive and relevant harmonized standards.

This document describes the limitation of certification, the declaration of conformity, and the cabling instructions required for the CE Mark configuration.

## Limitation of Certification

---

This certification applies only to the operation of the product (with specified cables and accessories) in the stated configuration and under the stated operational and environmental specifications. Any modification, misuse, or improper or inadequate maintenance of the product by the user voids this certification.

Any deviation from the specific configuration may cause emissions or susceptibility not within the allowed limits required by the stated directive. It is the user's responsibility to demonstrate and maintain compliance with the directive and standards.

Please read the next section, "Declaration of Conformity," for the specific testing configuration for this product. Consult the Keithley Instruments GMBH office (European importer) or Technical Support in Taunton, MA, USA, for further information regarding the exact configuration details and testing.

# Declaration of Conformity

---

**Application of Council Directive(s)** 89/336/EEC

**Standard(s) to which Conformity is Declared** EN50081-1, EN50082-1

**Manufacturer's Name** Keithley MetraByte

**Importer's Name** Keithley Instruments GMBH

**Importer's Address** Landsberger Str.65 D-82110 Germering, Munich

**Type of Equipment** Data Acquisition Plug-in Boards

**Model Numbers** DAS-1801ST, DAS-1802ST, DAS-1801ST-DA, DAS-1802ST-DA, DAS-1802HR, DAS-1802HR-DA, DAS-1801AO, or DAS-1802AO with EXP-1800, an ENCL Series enclosure, FWA-EXP, FWA-1800U, and SDAS-2000

DAS-1801HC or DAS-1802HC with STA-1800HC and CAB-1800/S

**Year of Manufacture** 1995

**I, the undersigned, hereby declare that the equipment specified above conforms to the above Directive(s) and Standard(s).**

**Place:** Taunton, MA USA

  
(Signature)

**Date:** 01 January 1996

Mark Urban  
(Name)

Quality Assurance Manager  
(Position)

## Cabling Instructions for the CE Mark Configuration

---

When using an EXP-1800 as part of the CE Mark configuration, you must use an ENCL Series enclosure. The ENCL-1 supports one EXP-1800, the ENCL-2 supports two EXP-1800s, and the ENCL-4 supports four EXP-1800s.

Each version of the ENCL Series enclosure contains slotted card guides and a rear panel that accommodates the rear connectors of each installed EXP-1800. To install an EXP-1800 in an ENCL Series enclosure, perform the following steps:

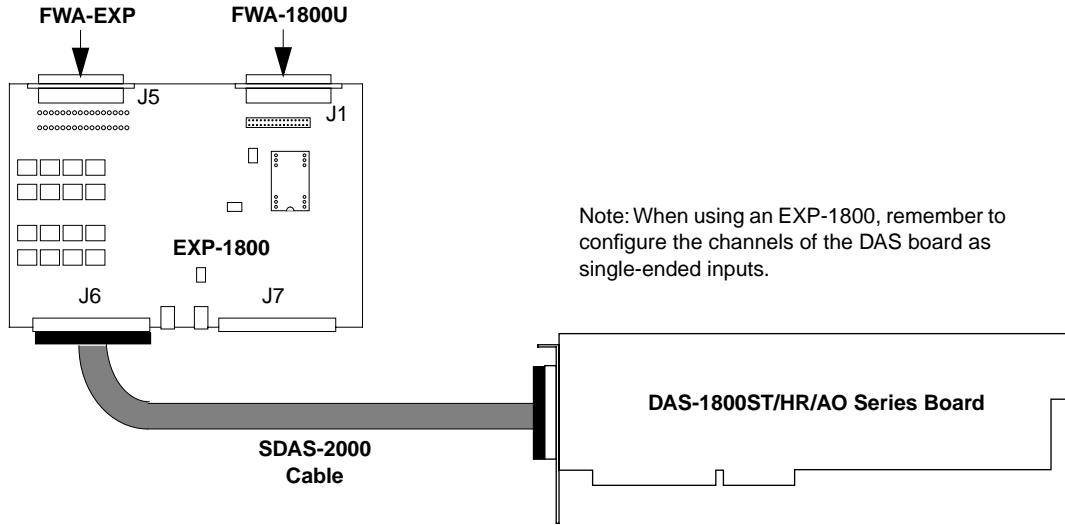
1. Remove the four standoffs from each EXP-1800 to be installed.
2. Insert the EXP-1800 into the slots of a pair of card guides.
3. Gently push the EXP-1800 toward the rear of the desktop enclosure until the front-panel screws meet the tapped holes on the card guides.
4. Fasten the front-panel screws to the card guides.

An ENCL-4 containing four EXP-1800s is shown in Figure 1.



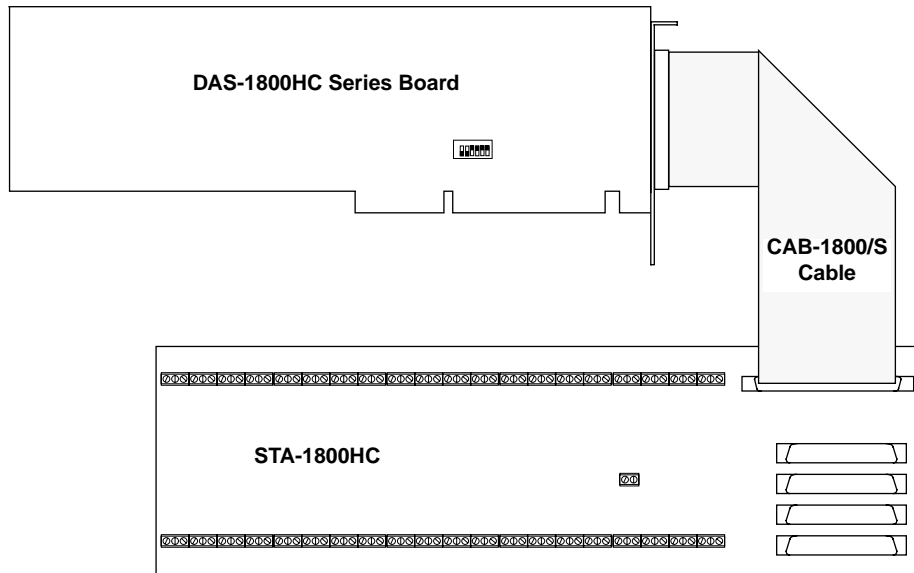
**Figure 1. ENCL-4 Enclosure with Four EXP-1800s Installed**

Once the EXP-1800 is installed in the ENCL Series enclosure, connect the EXP-1800 directly to the main I/O connector of a DAS-1800ST/HR/AO Series board through the SDAS-2000 cable, as shown in Figure 2. Figure 2 also shows where to attach the FWA-EXP and FWA-1800U. Refer to the DAS board and EXP-1800 user's guides for more information.



**Figure 2. Connecting the DAS-1800ST/HR/AO Series Board to an EXP-1800, FWA-EXP, and FWA-1800U**

Use the CAB-1800/S cable to connect an DAS-1800HC Series board to an STA-1800HC as shown in Figure 3. Refer to the *DAS-1800HC Series User's Guide* for more information.



**Figure 3. Connecting a DAS-1800HC Series Board to an STA-1800HC**