

**Keithley Instruments**  
28775 Aurora Road  
Cleveland, Ohio 44139  
1-800-935-5595  
<http://www.keithley.com>

## Description

The CVU-200-KIT Bias Tee Kit consists of three 2600-RBT-200 bias tees for performing capacitance-voltage (C-V) measurements using Series 2600 (excluding the Model 2657A), 4200 SMUs, and the Model 4210-CVU Capacitance-Voltage Instrument. Each bias tee combines C-V measurement with DC bias, isolating the C-V instrument and SMU instrument from each other.

The CVU-200-KIT bias tee kit can be used to provide C-V measurements at up to 200 V DC bias or 400 V differential bias between two device terminals.

**Figure 1: CVU-200-KIT contents**



## Parts list

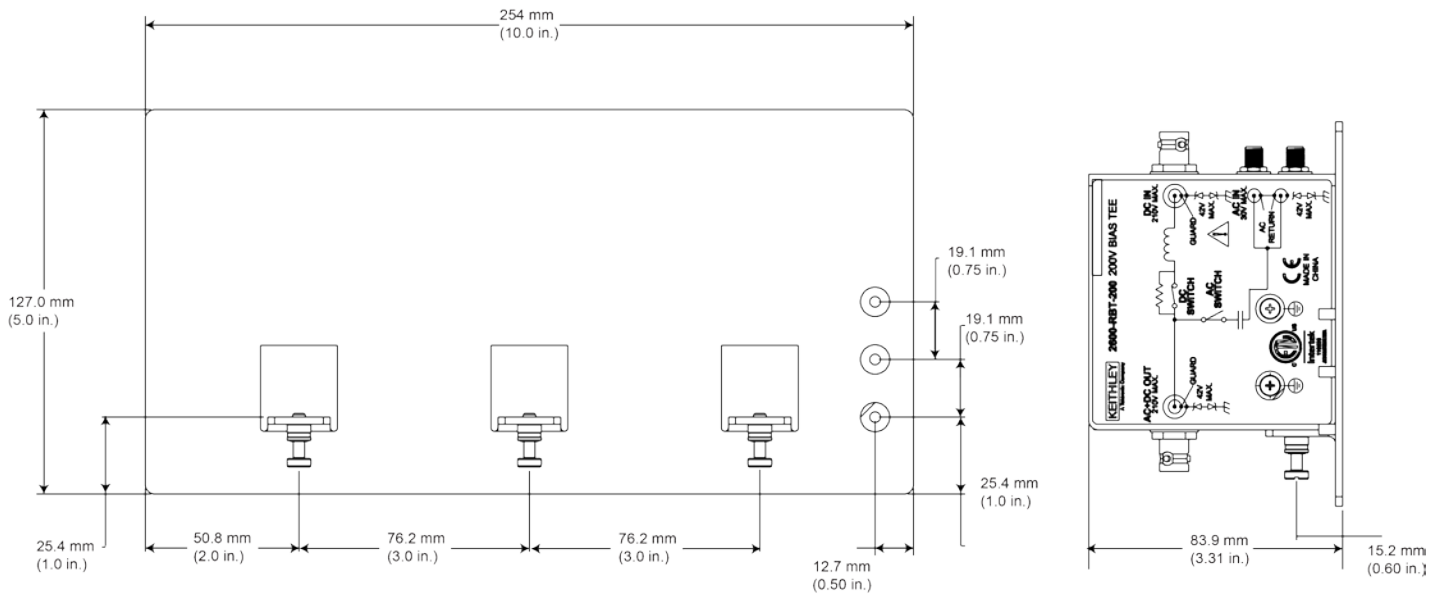
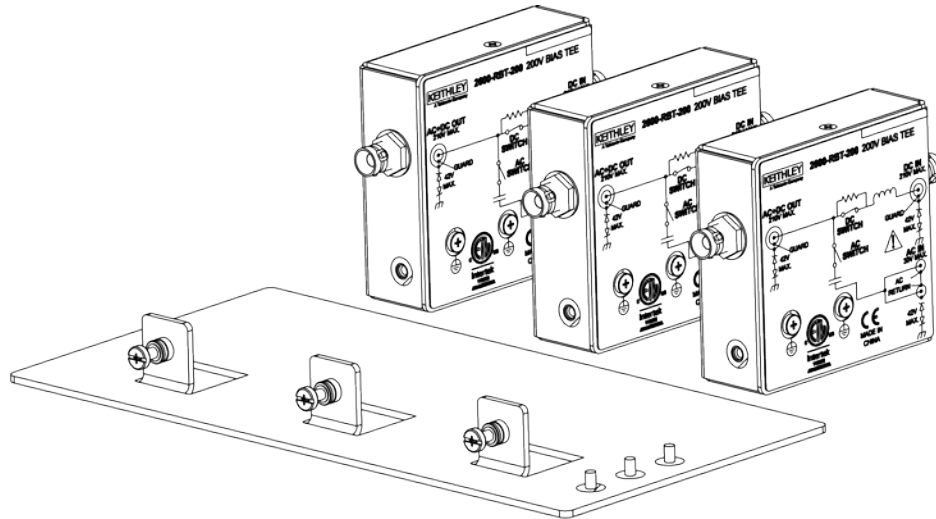
The following table lists the parts that are supplied with the CVU-200-KIT.

Part number	Description	Quantity
131936100	SMA (M) to SMB (M) Adapter	6
131936200	SMA (F) to SMB (F) Adapter	4
2600-RBT-200	200 V Bias Tee	3
386782100	Remote Bias Tee Mounting Bracket	1
7078-TRX-1	3-Slot Triaxial Cable, 1 ft	3
CA-406B	50 $\Omega$ M-M SMA Cable, 33 cm	1
CA-568-120	Ground Cable, 120 in.	2
CS-1391	SMA Tee Adapter, F-M-F	2



# Assembly and dimensions

Figure 2: CVU-200-KIT assembly and dimensions



**NOTE**

You must connect both of the included CA-568-120 grounding cables to the safety ground studs of the bias tee mounting bracket. See the following graphic for an example.

**Figure 3: Bias tee mounting bracket with CA-568-120 grounding cable connection**



## Bias tee theory and overview

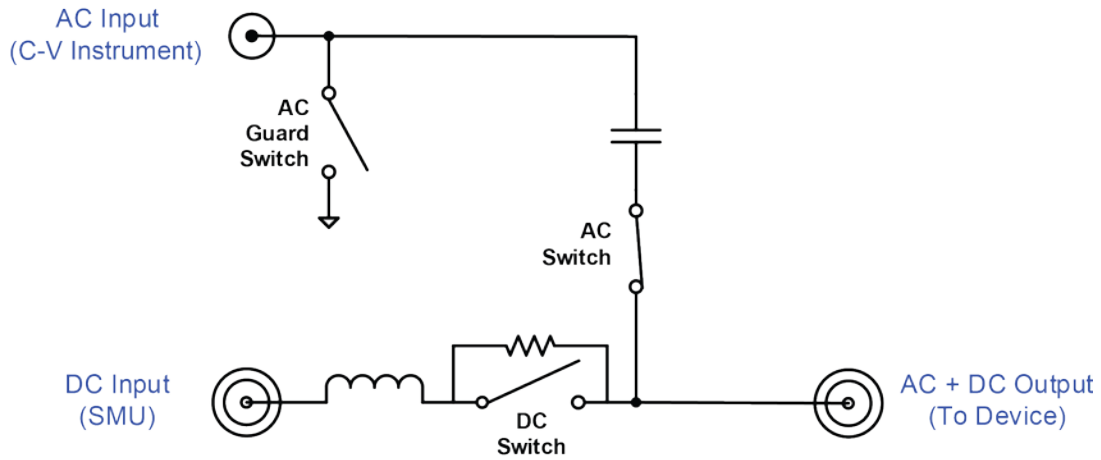
### **⚠ WARNING**

*The capacitance of the bias tees in the Model CVU-200-KIT can hold charge. Devices with sufficient capacitance can also hold charge. A shock hazard exists if a proper discharge is not performed and you touch one of the device terminals.*

The CVU-200-KIT bias tees combine C-V measurement with DC bias while isolating the C-V instrument and SMU instrument from each other.

The 8020-CVU bias tee option has multiple operation modes that optimize the performance for each measurement type while nearly eliminating measurement configuration changes between DC I-V and C-V measurements. Additionally, the bias tees are fully guarded and configured for triaxial connections so that the low current DC measurements may be performed through the bias tee (see the following figure).

**Figure 4: 8020-CVU single bias tee block diagram**



## Bias tee modes

Mode	Application	Block diagram	Control voltage <sup>1</sup>	AC switch state	AC guard switch state	DC switch state
I-V mode	Use for best DC low-current measurement performance. Ideal for any DC measurements made with the 8020-CVU installed. DC currents up to 1 A are permissible in this mode. Example tests: Idss, Vds-Id	I-V mode	0 V (default state)	Open	Open	Closed
C-V mode	Use for C-V measurements with a maximum DC bias current of 100 $\mu$ A. Frequency range of 10 kHz - 2 MHz possible. <sup>2</sup> Example tests: Ciss, Coss	C-V mode	-10 V	Closed	Open	Open
C-V Hi I mode	Use for C-V measurements with a maximum DC bias current of 1 A. Frequency range of ~100 kHz - 2 MHz possible. <sup>3</sup> Not for low current DC measurements. Example tests: Ciss, Coss	C-V Hi I mode	+10 V	Closed	Open	Closed
AC guard	Use for measuring capacitance between two terminals of a device with three or more terminals. This mode guards capacitance to third terminal by shunting AC current away from the AC measurement circuit. Example tests: Cgd, Cgs, Cds	AC guard	+12 V <sup>4</sup>	Closed	Closed	Closed

<sup>1</sup> The control voltage is a DC voltage driven at the AC input of the bias tee. Each control voltage must be maintained within +/- 250 mV. A minimum drive current of 15 mA is required to close any of the desired switches.

<sup>2</sup> Dependent on test system inductance.

<sup>3</sup> Dependent on test system inductance.

<sup>4</sup> Must be supplied by an external power source.

## HV C-V measurement software

ACS Basic Edition software version 2.1 (or higher) includes a large device test library and automatically controls bias tee modes with each test. For example, the software programs the bias- connected tee mode to I-V mode before measuring the Idss (drain-to-source current) test of a FET. For Ciss (input capacitance) measurement of a power MOSFET, the software programs the bias tee for C-V mode.



The following safety precautions should be observed before using this product and any associated instrumentation. Although some instruments and accessories would normally be used with nonhazardous voltages, there are situations where hazardous conditions may be present.

This product is intended for use by qualified personnel who recognize shock hazards and are familiar with the safety precautions required to avoid possible injury. Read and follow all installation, operation, and maintenance information carefully before using the product. Refer to the user documentation for complete product specifications.

If the product is used in a manner not specified, the protection provided by the product warranty may be impaired.

The types of product users are:

**Responsible body** is the individual or group responsible for the use and maintenance of equipment, for ensuring that the equipment is operated within its specifications and operating limits, and for ensuring that operators are adequately trained.

**Operators** use the product for its intended function. They must be trained in electrical safety procedures and proper use of the instrument. They must be protected from electric shock and contact with hazardous live circuits.

**Maintenance personnel** perform routine procedures on the product to keep it operating properly, for example, setting the line voltage or replacing consumable materials. Maintenance procedures are described in the user documentation. The procedures explicitly state if the operator may perform them. Otherwise, they should be performed only by service personnel.

**Service personnel** are trained to work on live circuits, perform safe installations, and repair products. Only properly trained service personnel may perform installation and service procedures.

Keithley Instruments products are designed for use with electrical signals that are measurement, control, and data I/O connections, with low transient overvoltages, and must not be directly connected to mains voltage or to voltage sources with high transient overvoltages. Measurement Category II (as referenced in IEC 60664) connections require protection for high transient overvoltages often associated with local AC mains connections. Certain Keithley measuring instruments may be connected to mains. These instruments will be marked as category II or higher.

Unless explicitly allowed in the specifications, operating manual, and instrument labels, do not connect any instrument to mains.

Exercise extreme caution when a shock hazard is present. Lethal voltage may be present on cable connector jacks or test fixtures. The American National Standards Institute (ANSI) states that a shock hazard exists when voltage levels greater than 30 V RMS, 42.4 V peak, or 60 VDC are present. A good safety practice is to expect that hazardous voltage is present in any unknown circuit before measuring.

Operators of this product must be protected from electric shock at all times. The responsible body must ensure that operators are prevented access and/or insulated from every connection point. In some cases, connections must be exposed to potential human contact. Product operators in these circumstances must be trained to protect themselves from the risk of electric shock. If the circuit is capable of operating at or above 1000 V, no conductive part of the circuit may be exposed.

Do not connect switching cards directly to unlimited power circuits. They are intended to be used with impedance-limited sources. NEVER connect switching cards directly to AC mains. When connecting sources to switching cards, install protective devices to limit fault current and voltage to the card.

Before operating an instrument, ensure that the line cord is connected to a properly-grounded power receptacle. Inspect the connecting cables, test leads, and jumpers for possible wear, cracks, or breaks before each use.

When installing equipment where access to the main power cord is restricted, such as rack mounting, a separate main input power disconnect device must be provided in close proximity to the equipment and within easy reach of the operator.

For maximum safety, do not touch the product, test cables, or any other instruments while power is applied to the circuit under test. ALWAYS remove power from the entire test system and discharge any capacitors before: connecting or disconnecting cables or jumpers, installing or removing switching cards, or making internal changes, such as installing or removing jumpers.

Do not touch any object that could provide a current path to the common side of the circuit under test or power line (earth) ground. Always make measurements with dry hands while standing on a dry, insulated surface capable of withstanding the voltage being measured.


For safety, instruments and accessories must be used in accordance with the operating instructions. If the instruments or accessories are used in a manner not specified in the operating instructions, the protection provided by the equipment may be impaired.

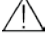
Do not exceed the maximum signal levels of the instruments and accessories, as defined in the specifications and operating information, and as shown on the instrument or test fixture panels, or switching card.

When fuses are used in a product, replace with the same type and rating for continued protection against fire hazard.

Chassis connections must only be used as shield connections for measuring circuits, NOT as protective earth (safety ground) connections.

If you are using a test fixture, keep the lid closed while power is applied to the device under test. Safe operation requires the use of a lid interlock.


If a  screw is present, connect it to protective earth (safety ground) using the wire recommended in the user documentation.

The  symbol on an instrument means caution, risk of danger. The user must refer to the operating instructions located in the user documentation in all cases where the symbol is marked on the instrument.

The  symbol on an instrument means caution, risk of electric shock. Use standard safety precautions to avoid personal contact with these voltages.

The  symbol on an instrument shows that the surface may be hot. Avoid personal contact to prevent burns.

The  symbol indicates a connection terminal to the equipment frame.

If this  symbol is on a product, it indicates that mercury is present in the display lamp. Please note that the lamp must be properly disposed of according to federal, state, and local laws.

The **WARNING** heading in the user documentation explains dangers that might result in personal injury or death. Always read the associated information very carefully before performing the indicated procedure.

The **CAUTION** heading in the user documentation explains hazards that could damage the instrument. Such damage may invalidate the warranty.

Instrumentation and accessories shall not be connected to humans.

Before performing any maintenance, disconnect the line cord and all test cables.

To maintain protection from electric shock and fire, replacement components in mains circuits — including the power transformer, test leads, and input jacks — must be purchased from Keithley Instruments. Standard fuses with applicable national safety approvals may be used if the rating and type are the same. Other components that are not safety-related may be purchased from other suppliers as long as they are equivalent to the original component (note that selected parts should be purchased only through Keithley Instruments to maintain accuracy and functionality of the product). If you are unsure about the applicability of a replacement component, call a Keithley Instruments office for information.

To clean an instrument, use a damp cloth or mild, water-based cleaner. Clean the exterior of the instrument only. Do not apply cleaner directly to the instrument or allow liquids to enter or spill on the instrument. Products that consist of a circuit board with no case or chassis (e.g., a data acquisition board for installation into a computer) should never require cleaning if handled according to instructions. If the board becomes contaminated and operation is affected, the board should be returned to the factory for proper cleaning/servicing.

Safety precaution revision as of January 2013.