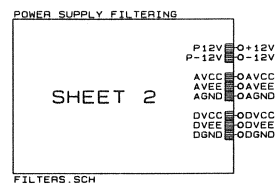
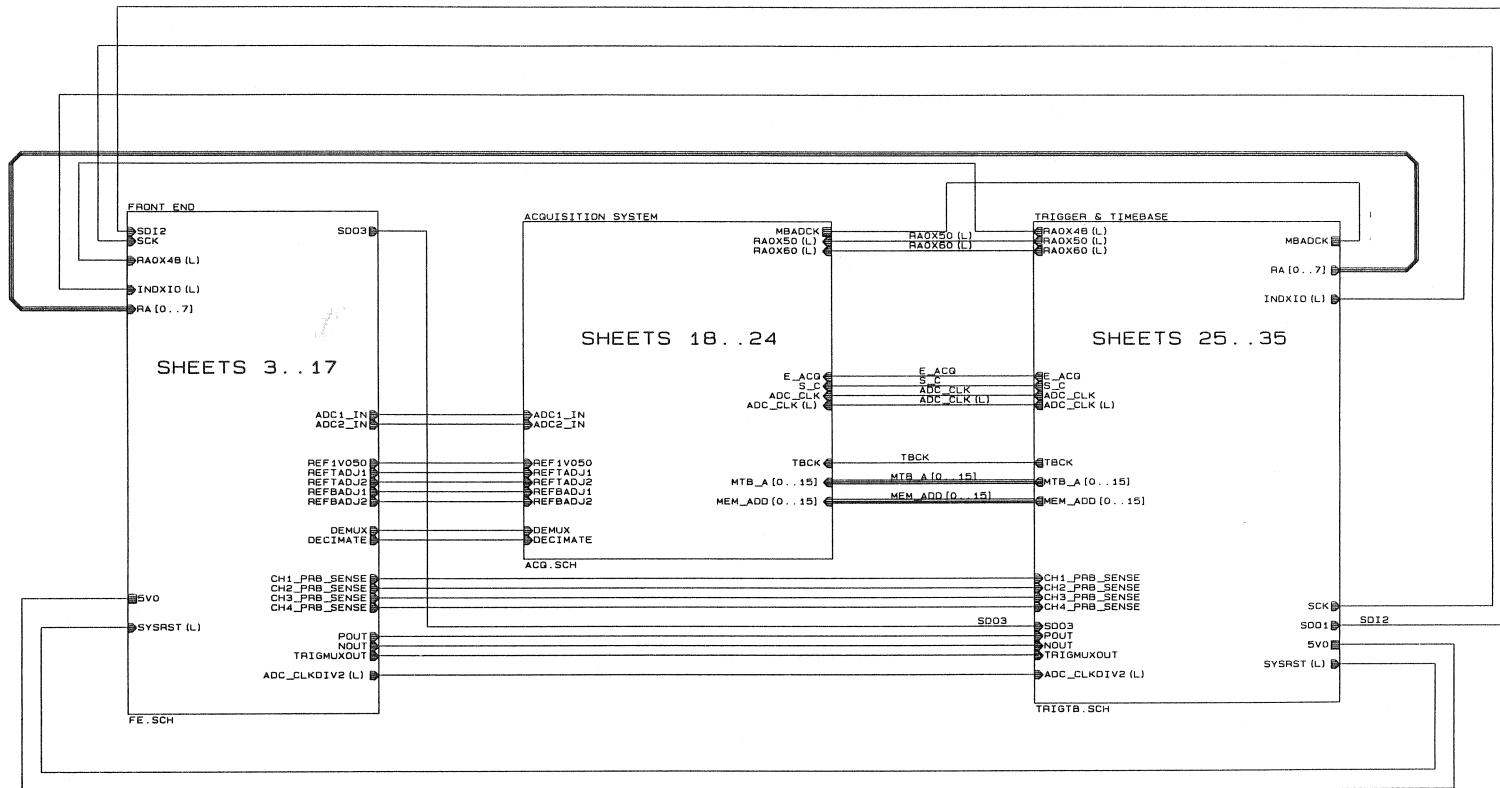


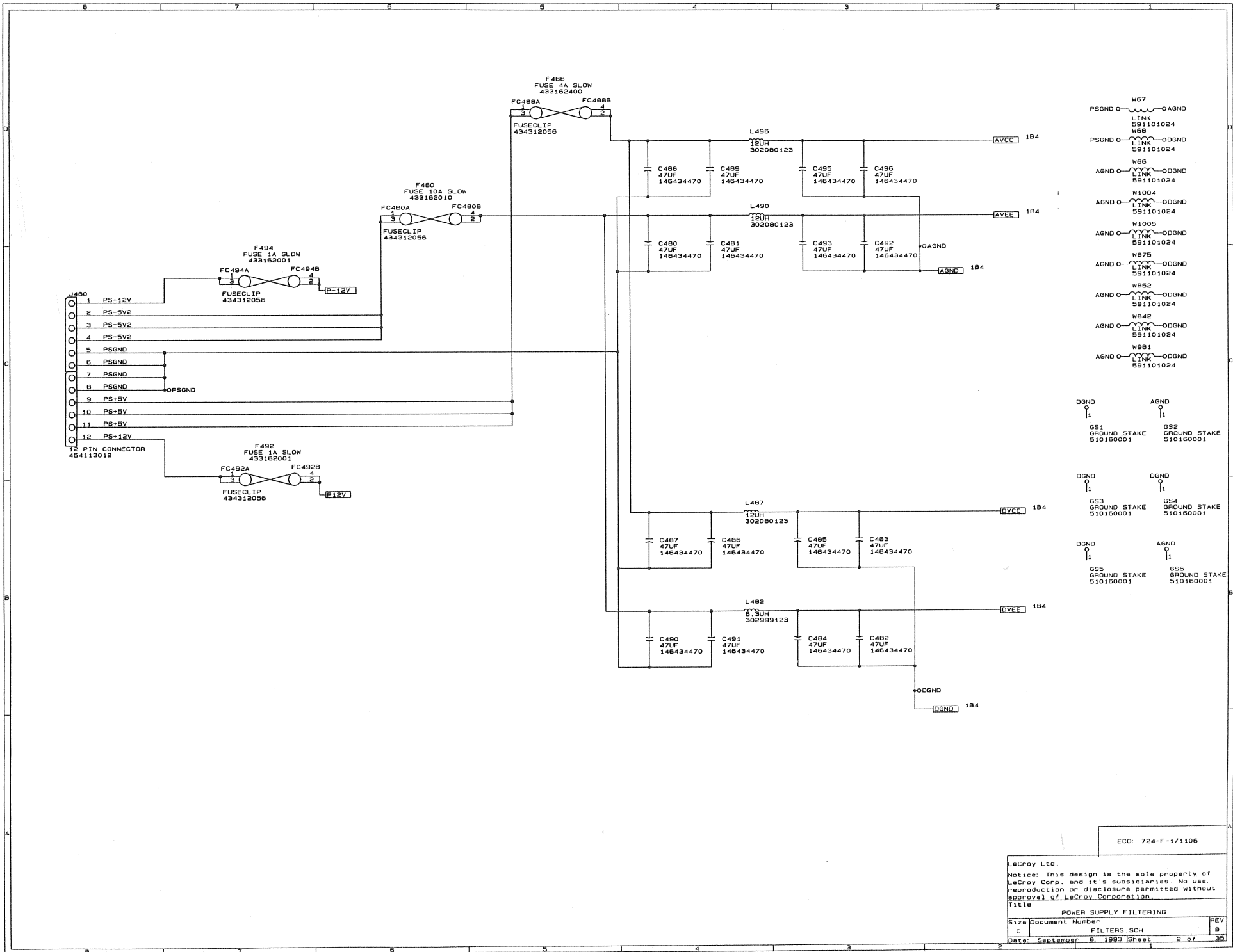
41787

# LS140 SCHEMATIC



ECO: 724-F-1/1118  
MCN: 724-F-1/002

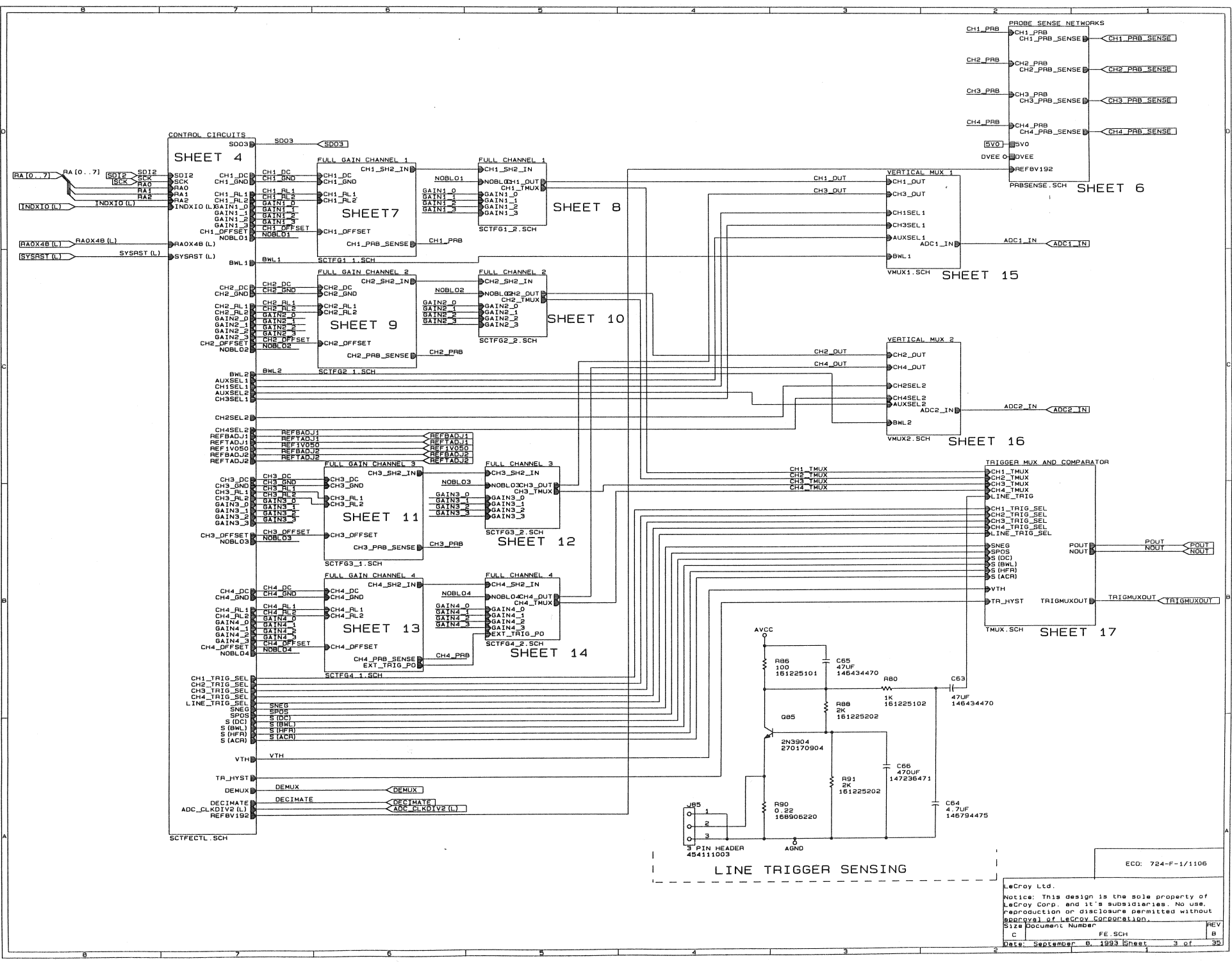
LeCroy Ltd.	
Notice: This design is the sole property of LeCroy Corp. and its subsidiaries. No use, reproduction or disclosure permitted without approval of LeCroy Corporation.	
Title	
LS140 ACQUISITION BOARD 724-F-1	
Size	Document Number
C	MAIN.SCH
Date:	July 19, 1994 Sheet 1 of 35
REV	B



ECD: 724-F-1/1106

LeCroy Ltd.  
 Notice: This design is the sole property of LeCroy Corp. and its subsidiaries. No use, reproduction or disclosure permitted without approval of LeCroy Corporation.  
 Title: POWER SUPPLY FILTERING  
 Size: Document Number: C  
 Date: September 8, 1993 Sheet: 2 of 32

REV  
 B  
 32

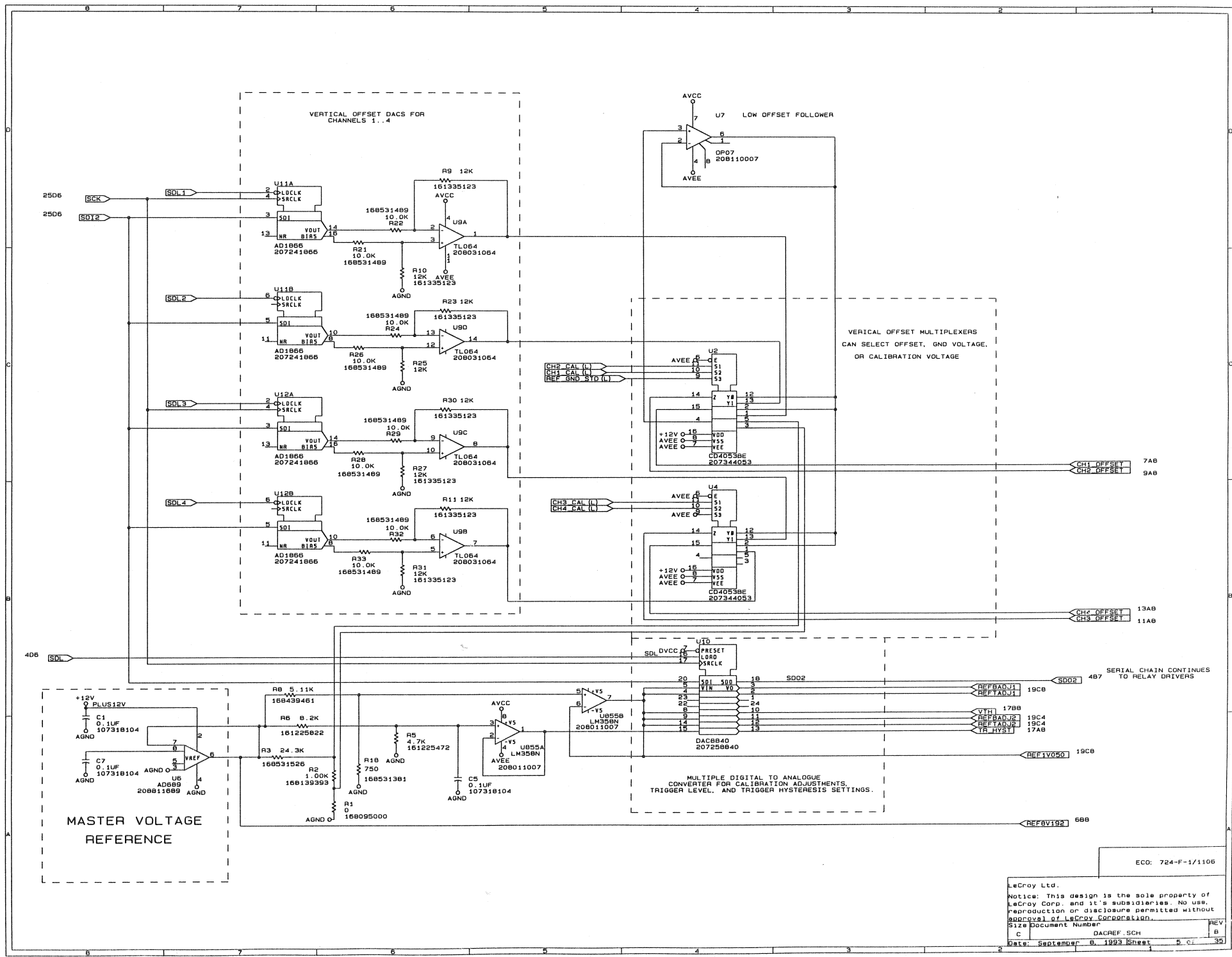


LINE TRIGGER SENSING

ECO: 724-F-1/1106

LeCroy Ltd.  
 Notice: This design is the sole property of LeCroy Corp. and its subsidiaries. No use, reproduction or disclosure permitted without approval of LeCroy Corporation.  
 Size Document Number  
 C FE SCH  
 Date: September 8, 1993 Sheet 3 of 35

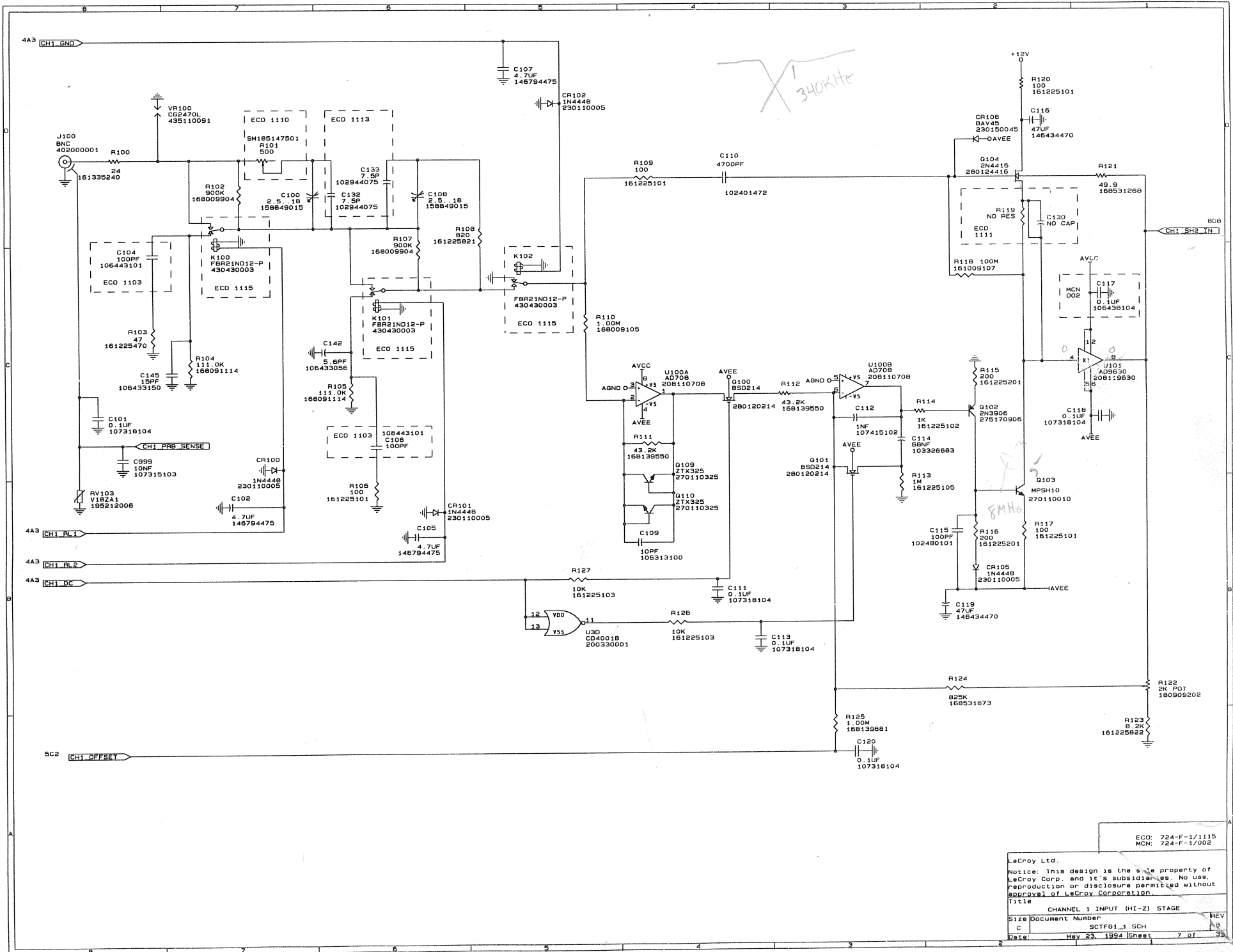




ECO: 724-F-1/1106

LeCroy Ltd.  
 Notice: This design is the sole property of LeCroy Corp. and its subsidiaries. No use, reproduction or disclosure permitted without approval of LeCroy Corporation.  
 Size Document Number: DACREF.SCH  
 Date: September 9, 1993 Sheet: 35



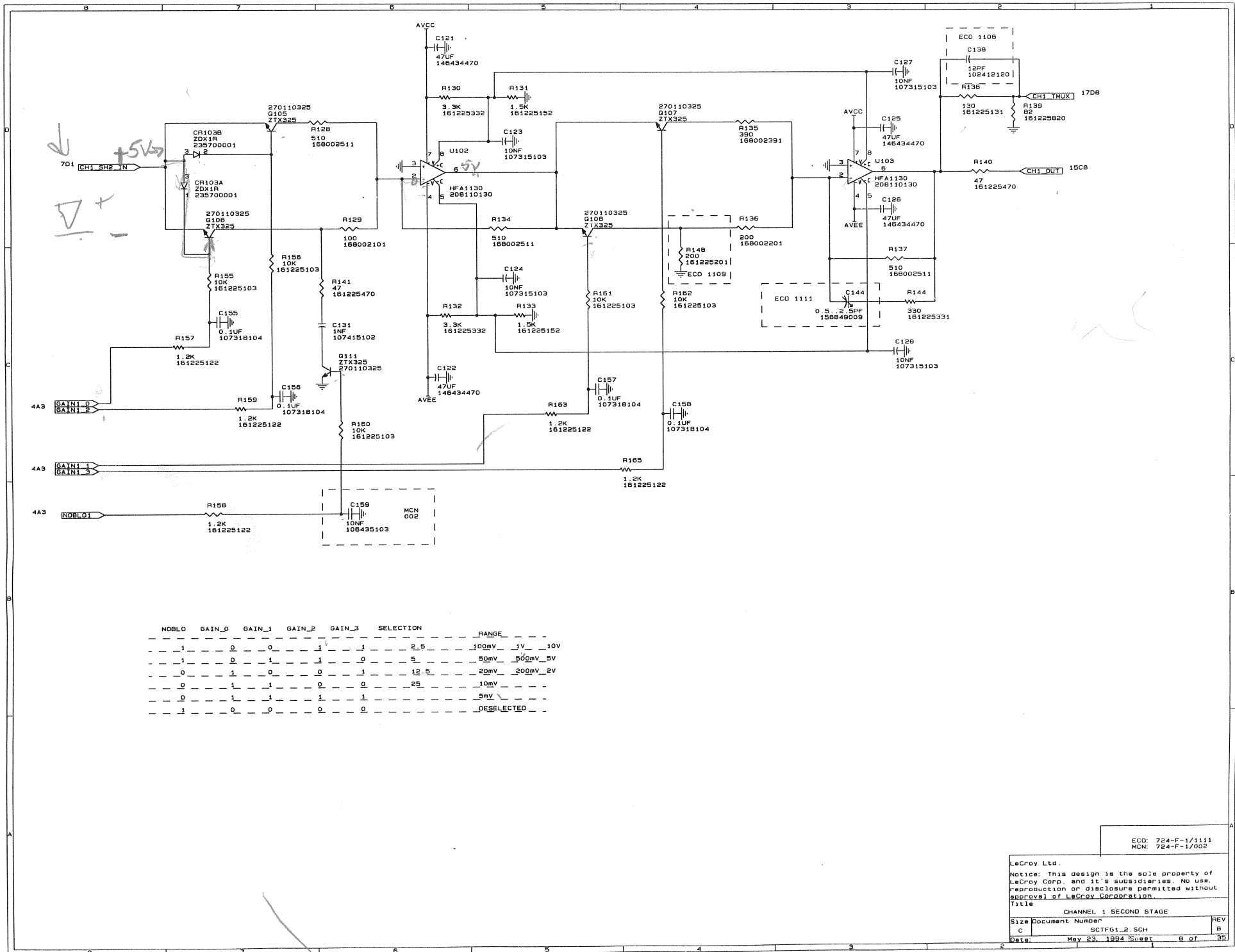


ECO: 724-F-1/1115  
MCN: 724-F-1/002

LeCroy Ltd.  
Notice: This design is the sole property of LeCroy Corp. and its subsidiaries. No use, reproduction or disclosure permitted without approval of LeCroy Corporation.

11111  
CHANNEL 1 INPUT (HI-Z) STAGE  
Size Document Number  
C SCTFG1\_1.SCH  
Date: May 23, 1994  
REV 7 of 30

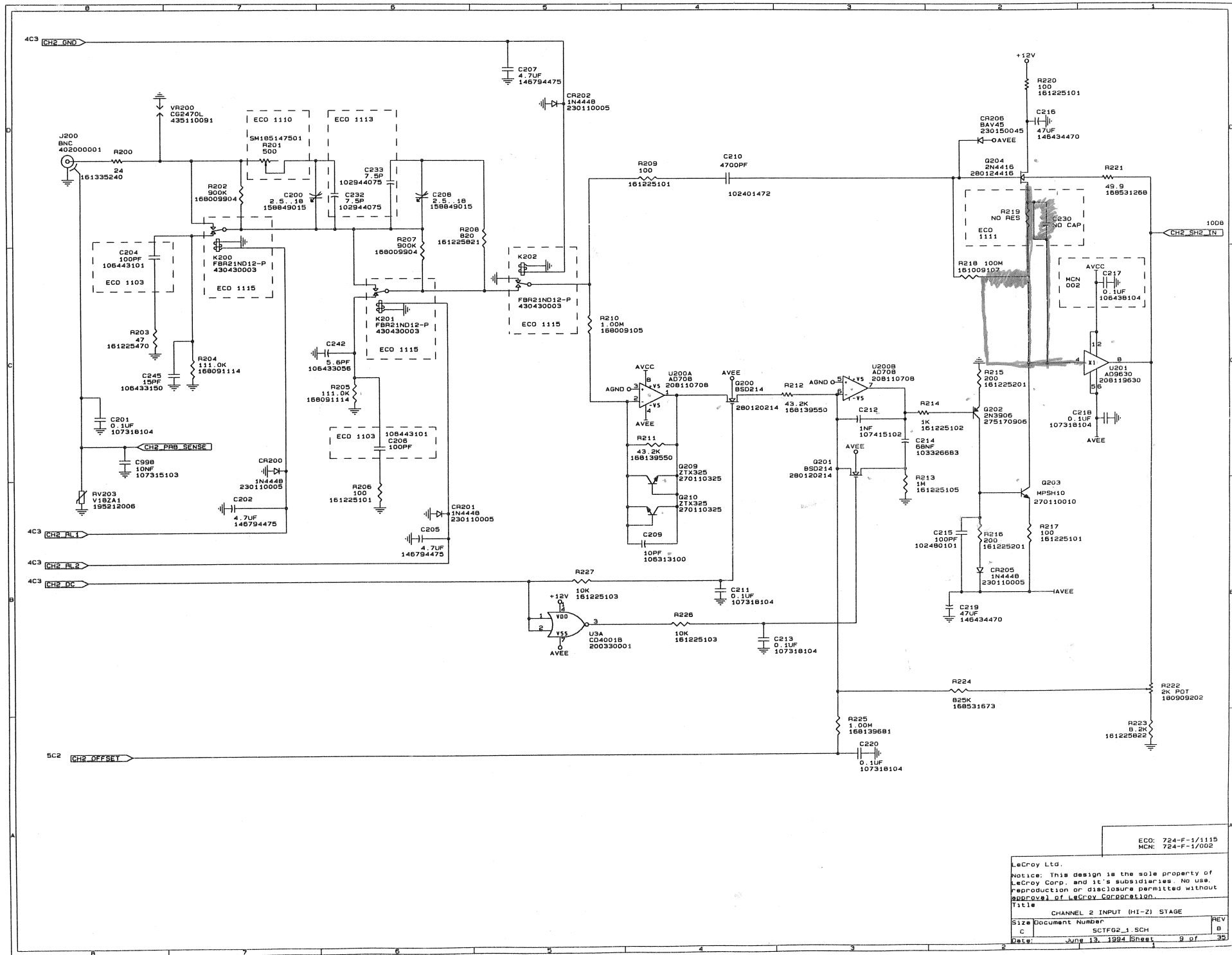




NOBLO	GAIN_0	GAIN_1	GAIN_2	GAIN_3	SELECTION	RANGE
1	0	0	1	1	2.5	100mV 1V 10V
1	0	1	1	0	5	50mV 500mV 5V
0	1	0	0	1	12.5	20mV 200mV 2V
0	1	1	0	0	25	10mV
0	1	1	1	1	1	5mV
1	0	0	0	0		DESELECTED

ECO: 724-F-1/1111  
MCN: 724-F-1/002

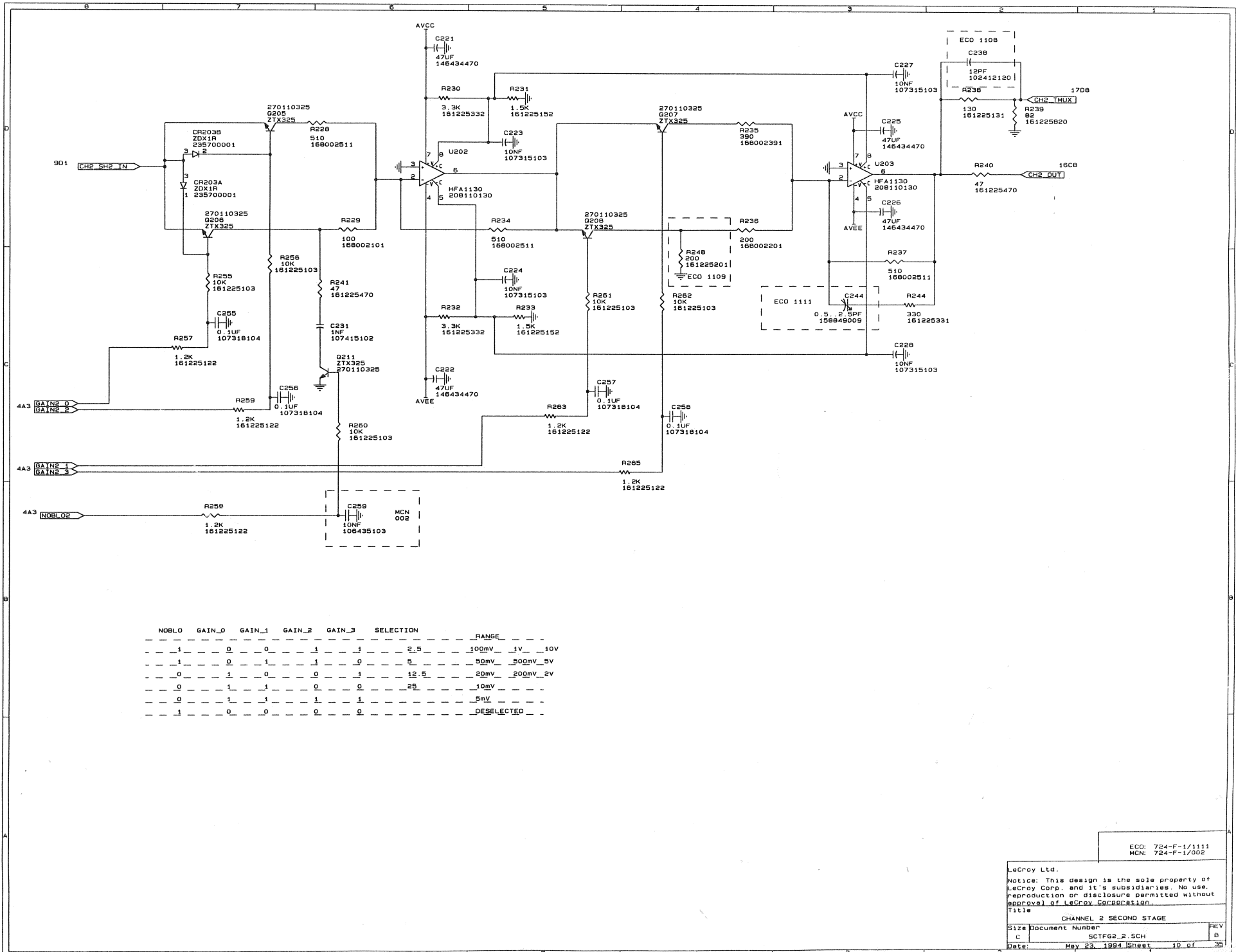
LeCroy Ltd.  
 Notice: This design is the sole property of LeCroy Corp. and its subsidiaries. No use, reproduction or disclosure permitted without approval of LeCroy Corporation.  
 Title: CHANNEL 1 SECOND STAGE  
 Size: Document Number  
 C: SCTF61\_2\_SCH  
 Date: May 23, 1994 Sheet 8 of 35



ECO: 724-F-1/1115  
 MCN: 724-F-1/002

LeCroy Ltd.  
 Notice: This design is the sole property of LeCroy Corp. and its subsidiaries. No use, reproduction or disclosure permitted without approval of LeCroy Corporation.

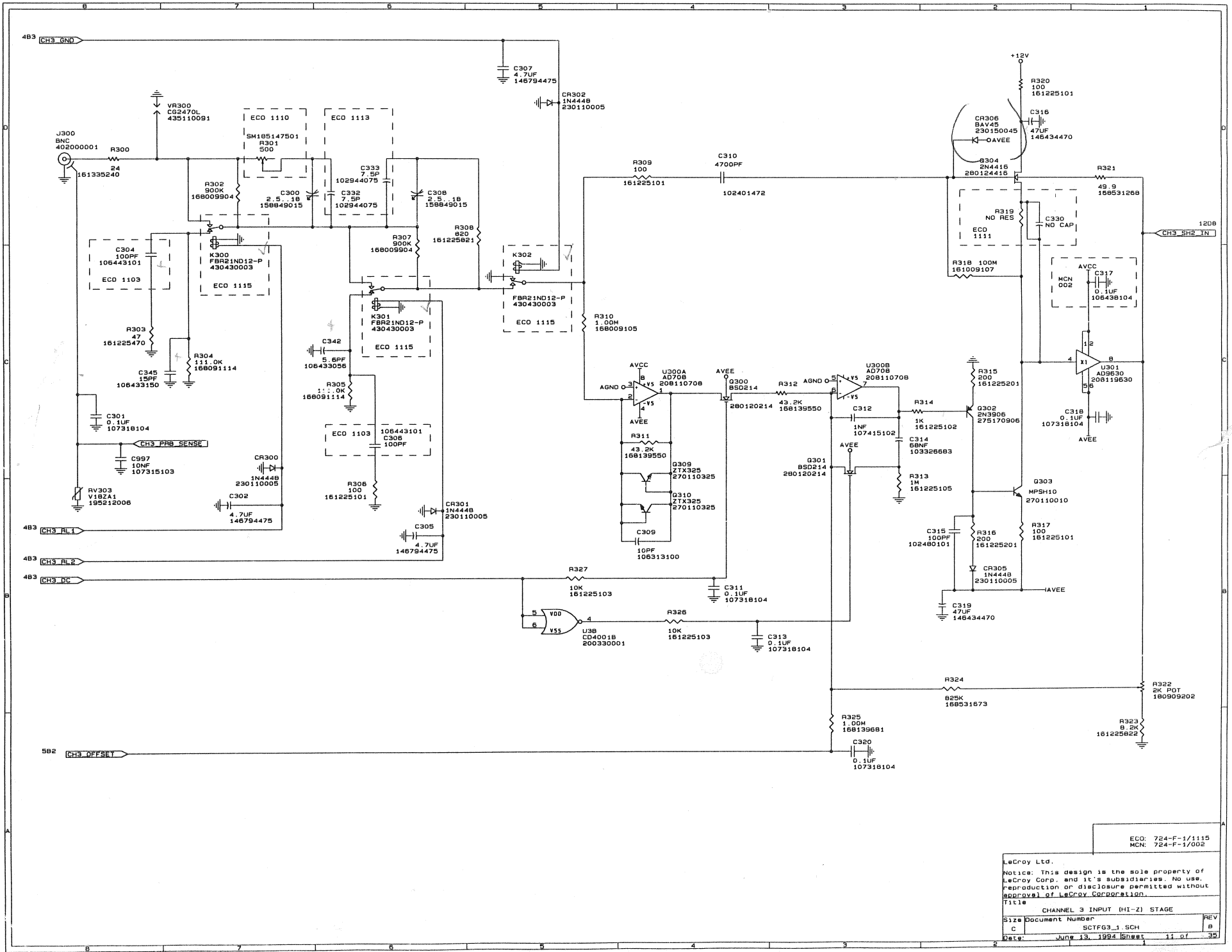
Title	CHANNEL 2 INPUT (HI-Z) STAGE	REV	
Size	Document Number		
C	SCTFG2_1 SCH	B	
Date:	June 13, 1994 Sheet	9 of	35



NOBL_0	GAIN_0	GAIN_1	GAIN_2	GAIN_3	SELECTION	RANGE
1	0	0	1	1	2_5	100mV 1V 10V
1	0	1	1	0	5	50mV 500mV 5V
0	1	0	1	0	12_5	20mV 200mV 2V
0	1	1	0	0	25	10mV
0	1	1	1	1	5	5mV
1	0	0	0	0		DESELECTED

ECO: 724-F-1/1111  
MCN: 724-F-1/002

LeCroy Ltd.  
 Notice: This design is the sole property of LeCroy Corp. and its subsidiaries. No use, reproduction or disclosure permitted without approval of LeCroy Corporation.  
 Title: CHANNEL 2 SECOND STAGE  
 Size: Document Number  
 C: SCTFG2\_2\_SCH  
 Date: May 23, 1994 Sheet 10 of 35

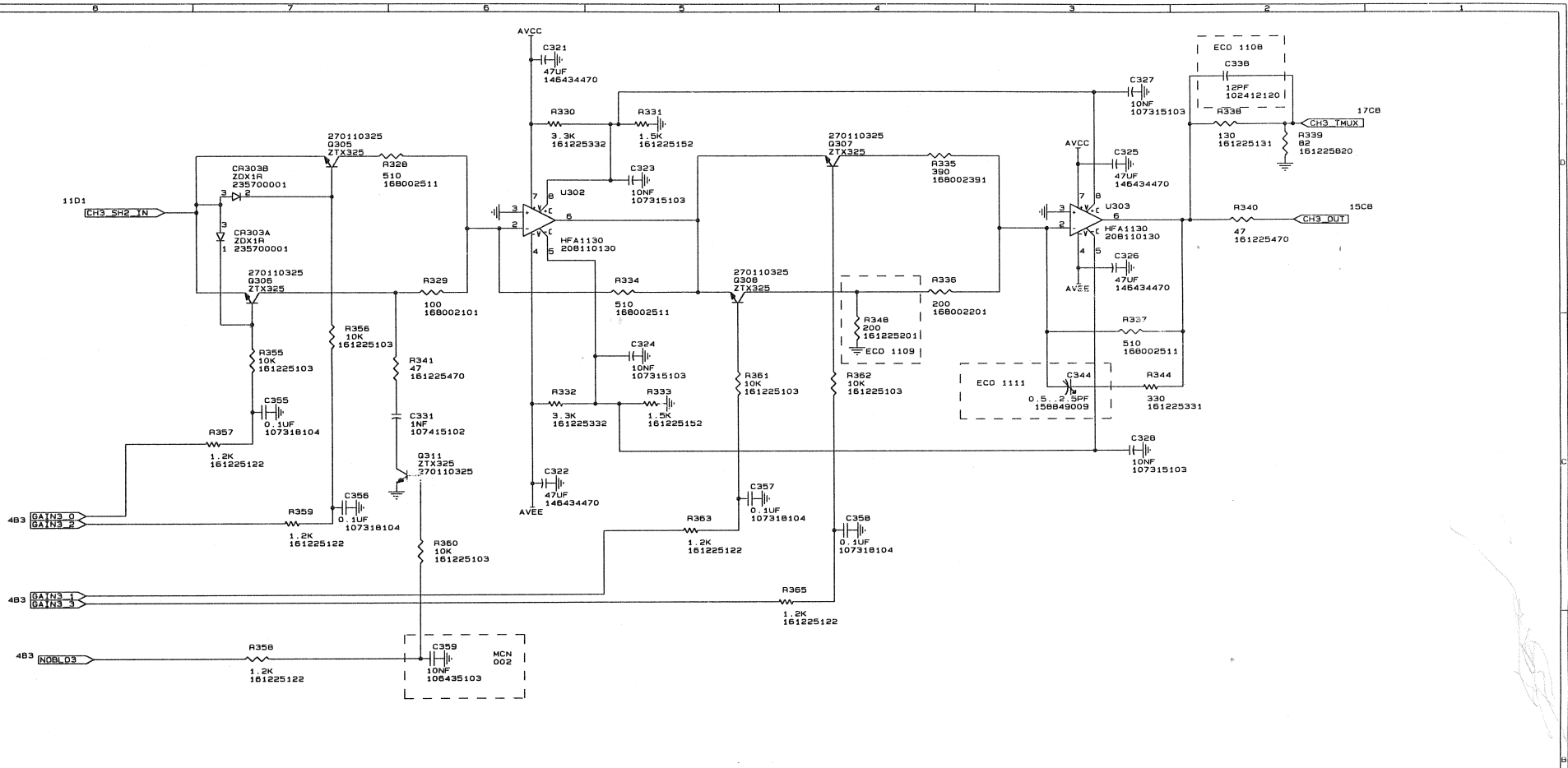


ECO: 724-F-1/1115  
MCN: 724-F-1/002

LeCroy Ltd.  
Notice: This design is the sole property of LeCroy Corp. and its subsidiaries. No use, reproduction or disclosure permitted without approval of LeCroy Corporation.

Title: CHANNEL 3 INPUT (HI-Z) STAGE  
Size: Document Number  
C: SCTFG3\_1 SCH  
Date: June 13, 1994 Sheet 11 of 35

REV  
B



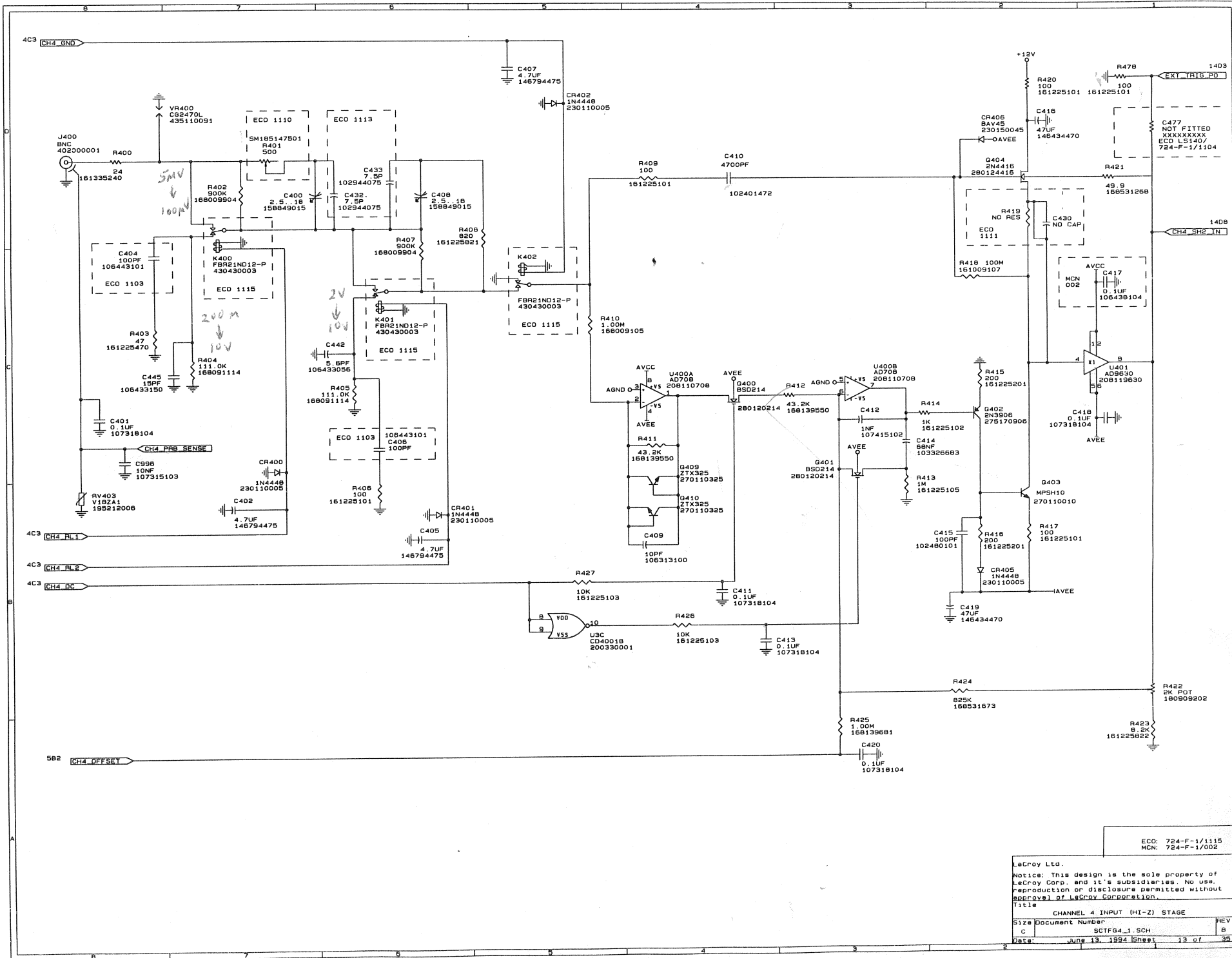
NOBL0	GAIN_0	GAIN_1	GAIN_2	GAIN_3	SELECTION	RANGE
1	0	0	1	1	2.5	100mV 1V 10V
1	0	1	1	0	5	50mV 500mV 5V
0	1	0	0	1	12.5	20mV 200mV 2V
0	1	1	0	0	25	10mV
0	1	1	1	1	1	5mV
1	0	0	0	0		DESELECTED

ECO: 724-F-1/1111  
MCN: 724-F-1/002

LeCroy Ltd.  
Notice: This design is the sole property of LeCroy Corp. and its subsidiaries. No use, reproduction or disclosure permitted without approval of LeCroy Corporation.  
Title

CHANNEL 3 SECOND STAGE  
Size Document Number  
C SCIF03\_2 SCH  
Date: May 23, 1994 Sheet 12 of 30

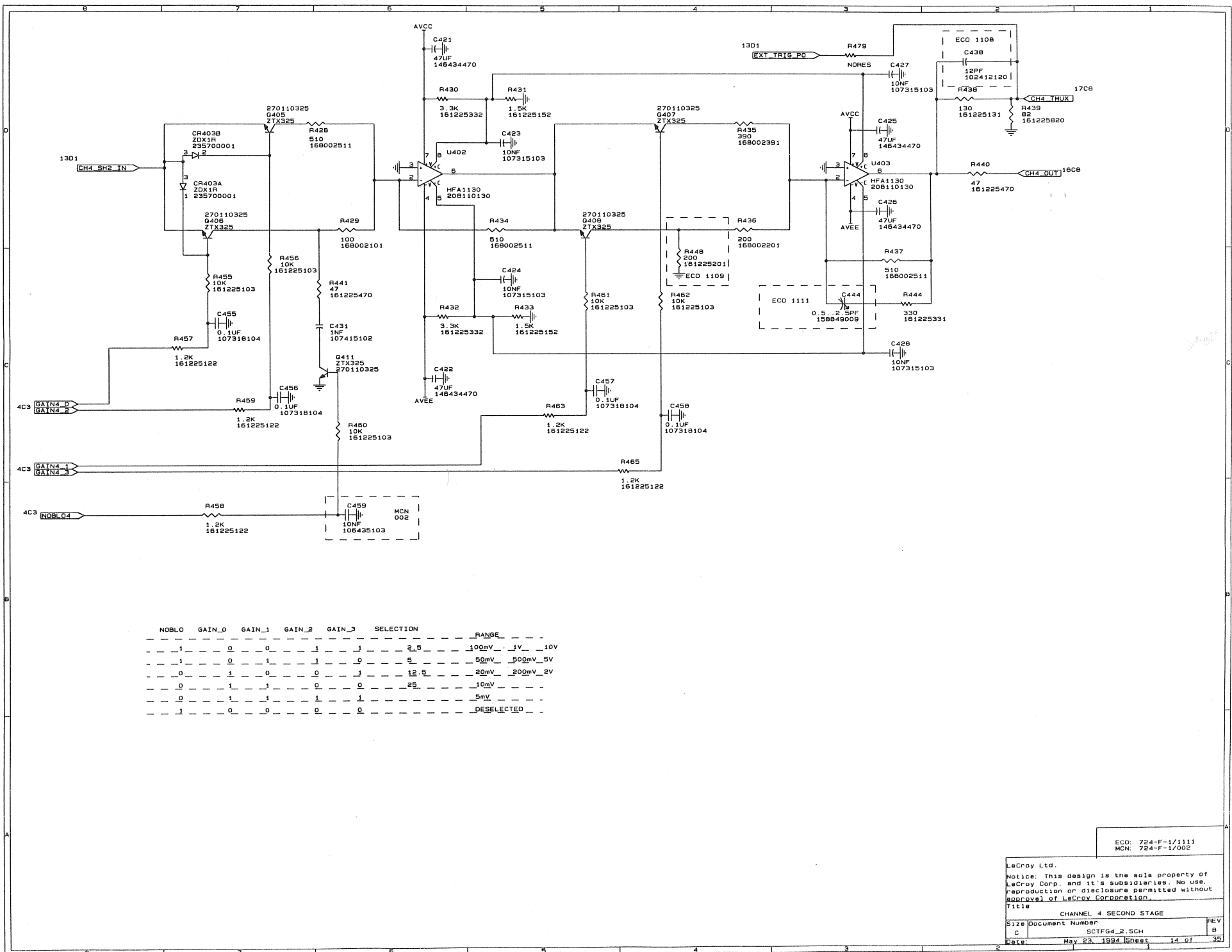
REV B



ECO: 724-F-1/1115  
 MCN: 724-F-1/002

LeCroy Ltd.  
 Notice: This design is the sole property of LeCroy Corp. and its subsidiaries. No use, reproduction or disclosure permitted without approval of LeCroy Corporation.

Title	CHANNEL 4 INPUT (HI-Z) STAGE
Size	Document Number
C	SCTFG4_1_SCH
Date:	June 13, 1994 Sheet 13 of 30

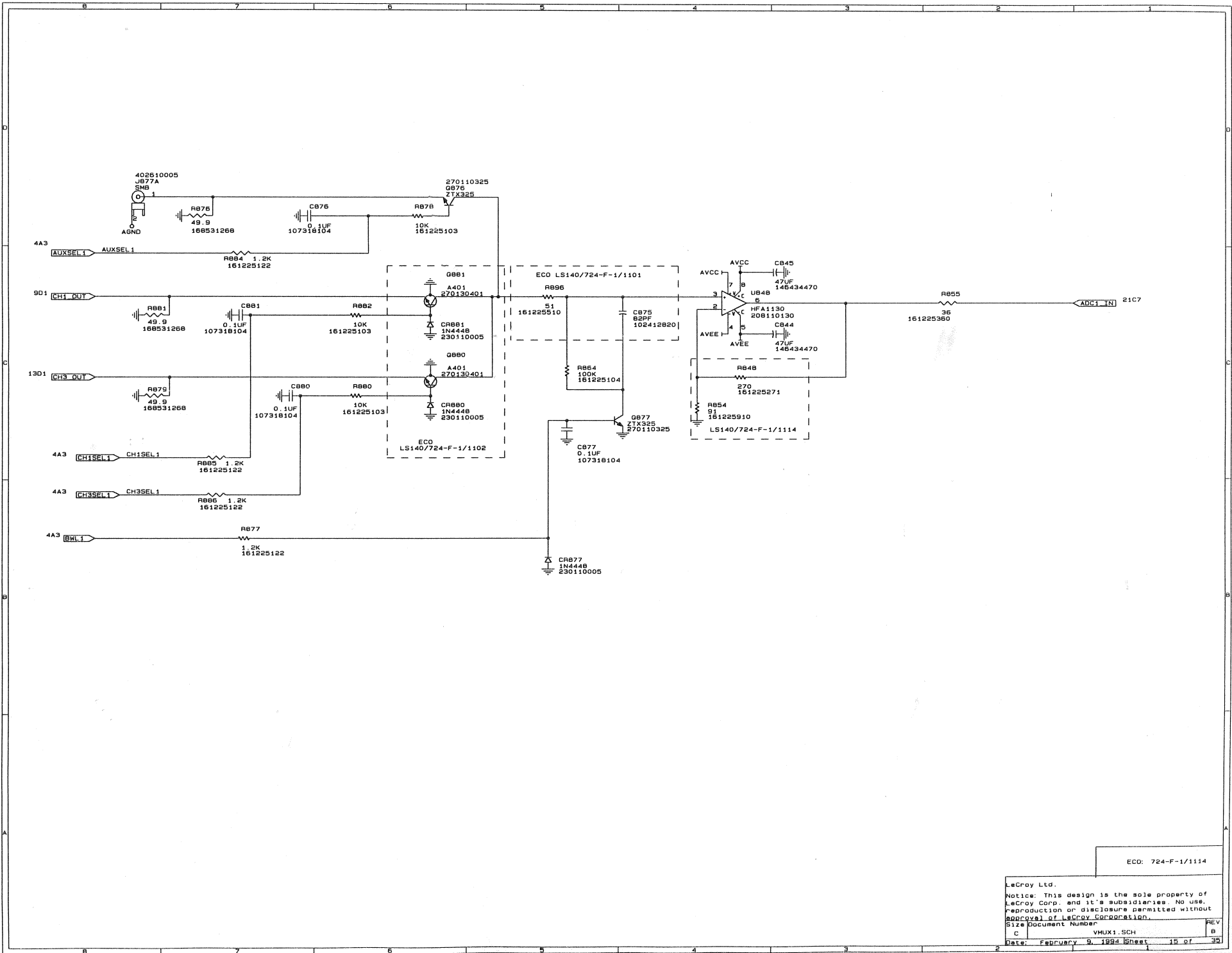


NOBLO	GAIN_0	GAIN_1	GAIN_2	GAIN_3	SELECTION	RANGE
1	0	0	1	1	2_5	100mV 1V 10V
1	0	1	1	0	5	50mV 500mV 5V
0	0	0	0	1	12_5	20mV 200mV 2V
0	1	1	0	0	25	10mV
0	1	1	1	1		5mV
1	0	0	0	0		DESELECTED

ECO: 724-F-1/1111  
MCN: 724-F-1/002

LeCroy Ltd.  
Notice: This design is the sole property of LeCroy Corp. and its subsidiaries. No use, reproduction or disclosure permitted without approval of LeCroy Corporation.  
Title: CHANNEL 4 SECOND STAGE  
Size: Document Number: SCTFG4\_2\_SCH  
C: SCTFG4\_2\_SCH  
Date: May 23, 1994 Sheet 14 of 35

REV B

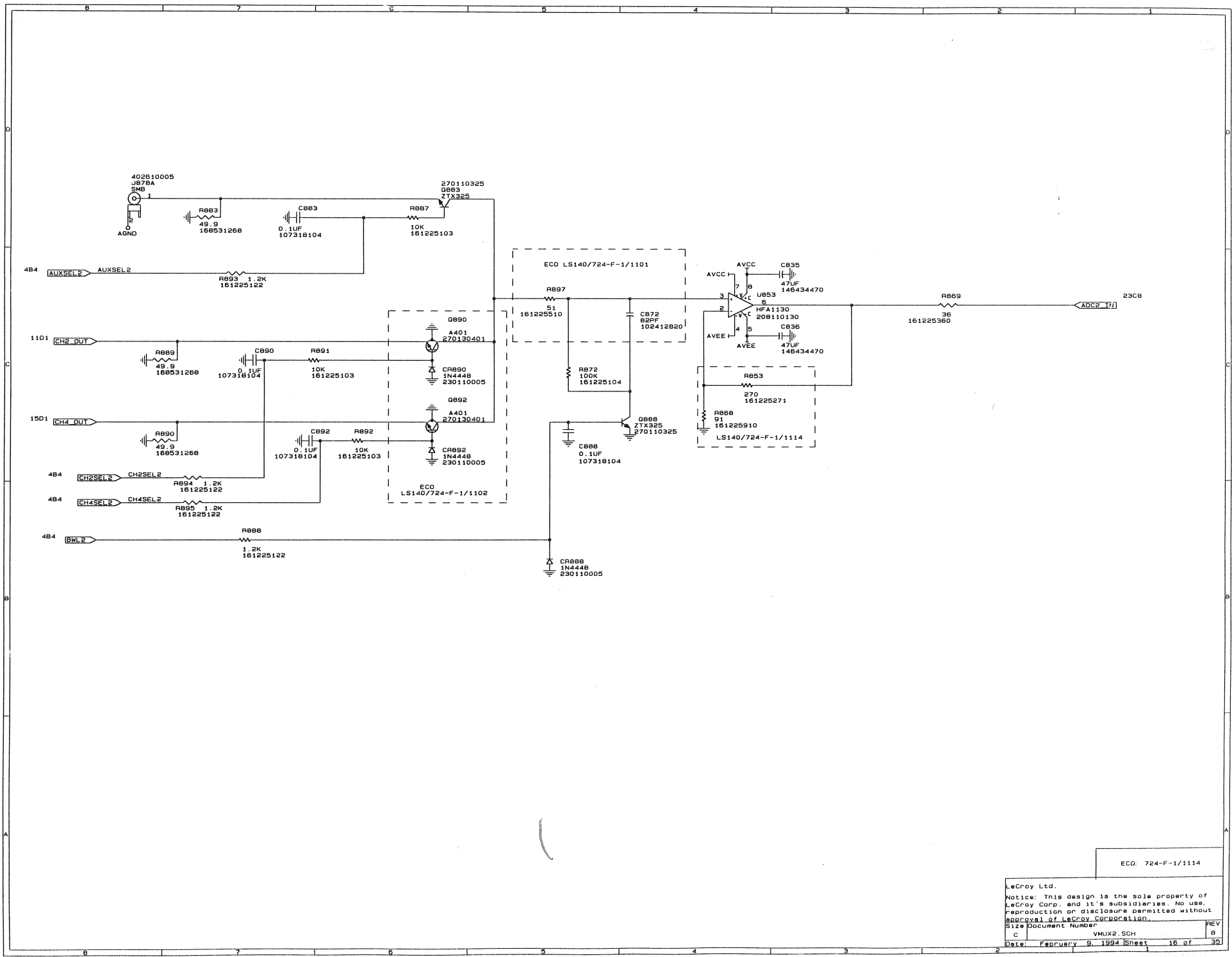


ECO: 724-F-1/1114

LeCroy Ltd.  
 Notice: This design is the sole property of  
 LeCroy Corp. and its subsidiaries. No use,  
 reproduction or disclosure permitted without  
 approval of LeCroy Corporation.  
 Size Document Number  
 C VMUX1.SCH  
 Date: February 9, 1994 Sheet 15 of 35

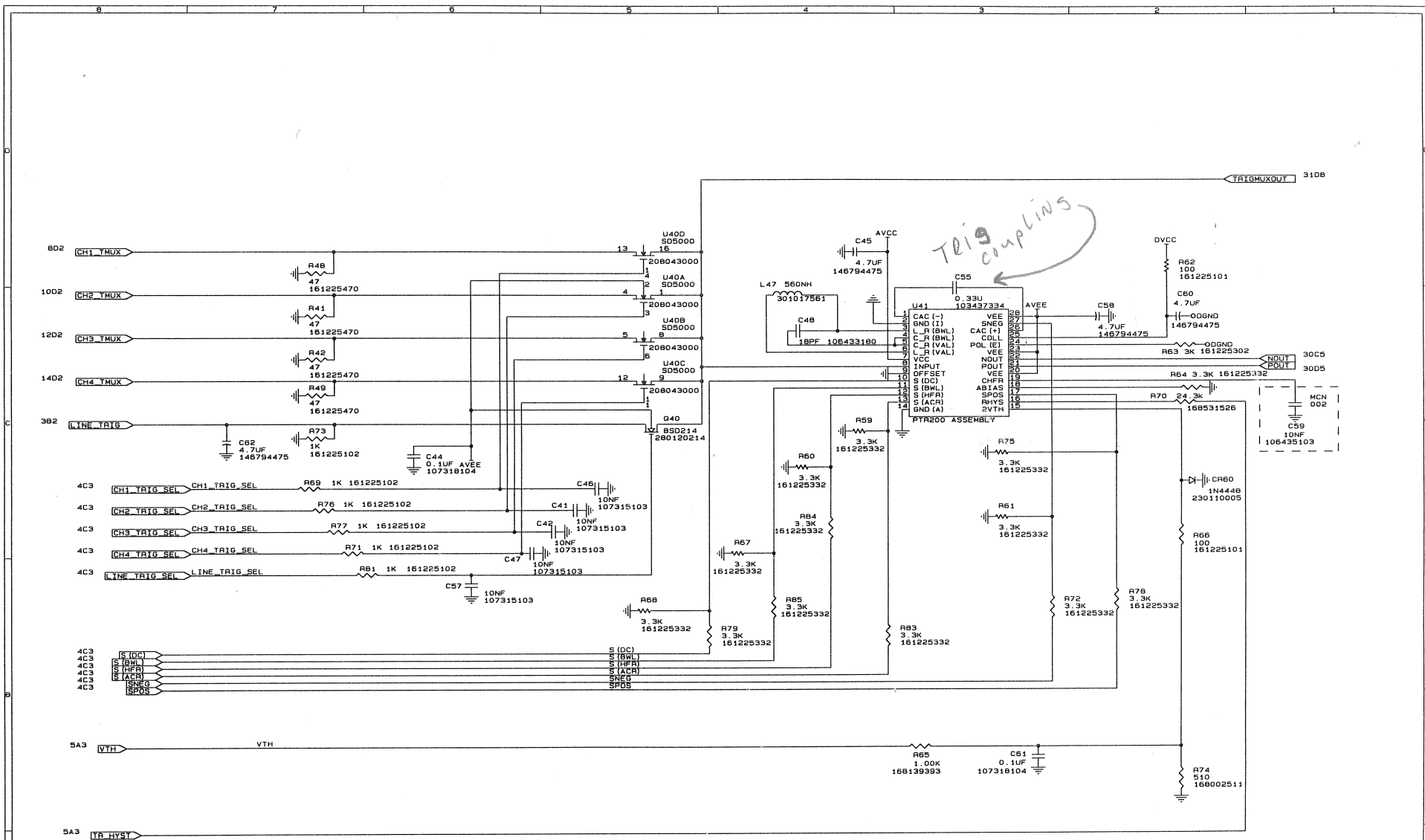
REV  
 B  
 35





ECO: 724-F-1/1114

LeCroy Ltd.  
 Notice: This design is the sole property of LeCroy Corp. and its subsidiaries. No use, reproduction or disclosure permitted without approval of LeCroy Corporation.  
 Size Document Number REV  
 C VMUX2 SCH B  
 Date: February 9, 1994 Sheet 16 of 32

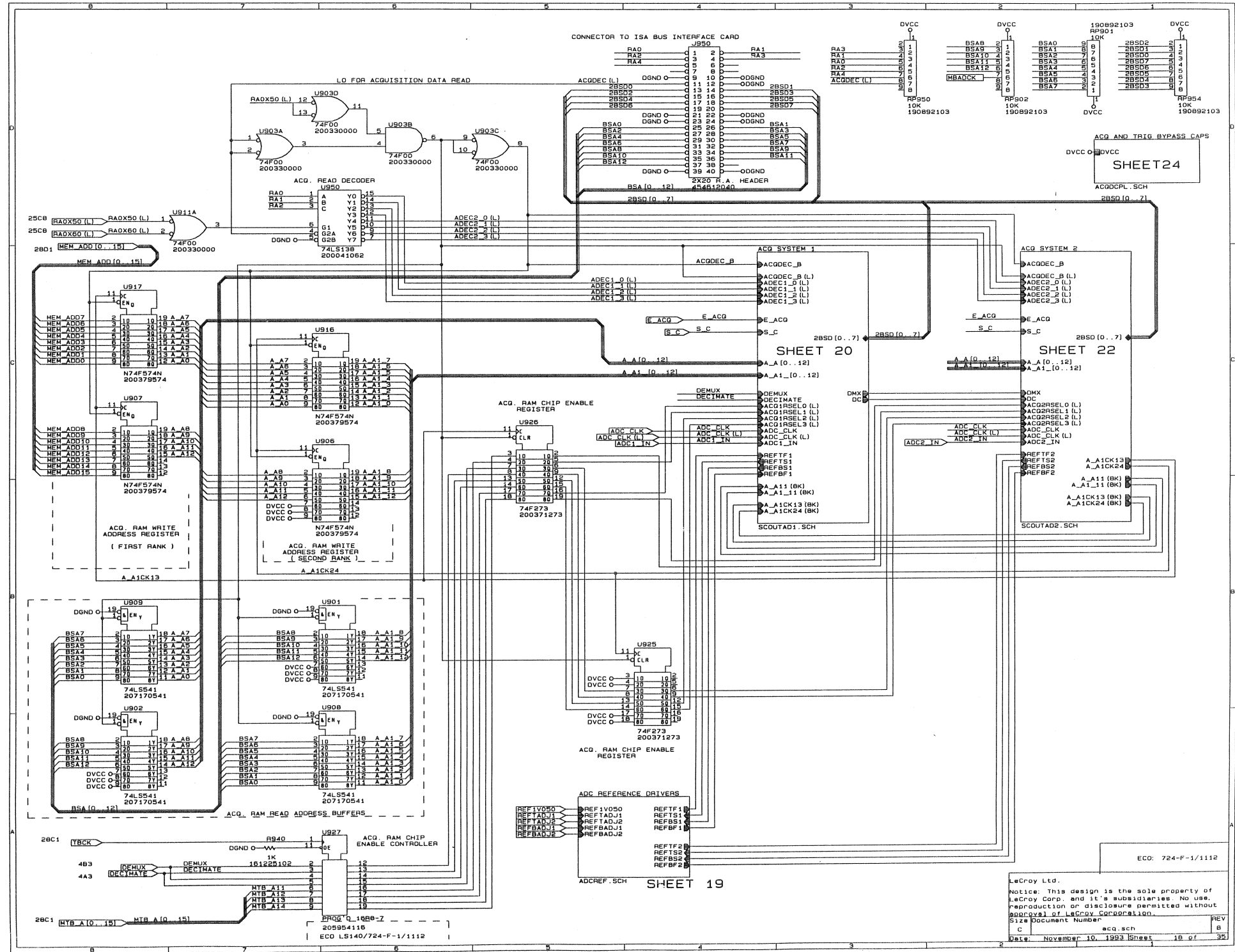


CONTROL LINE

MODE	DC	BWL	HFR	ACR
DC	1	0	0	0
DC, BWL	0	1	0	0
AC	1	0	0	1
AC, BWL	0	1	0	1
LFR	1	0	1	0
LFR, BWL	0	1	1	0
HFR	0	0	1	0

ECO: 724-F-1/1106  
MCN: 724-F-1/002

LeCroy Ltd.  
 Notice: This design is the sole property of LeCroy Corp. and its subsidiaries. No use, reproduction or disclosure permitted without approval of LeCroy Corporation.  
 Title: TRIGGER MUX & DISCRIMINATOR  
 Size: Document Number: REV  
 C: TMUX SCH: B  
 Date: May 23, 1994 Sheet 17 of 35



SHEET 24

SHEET 20

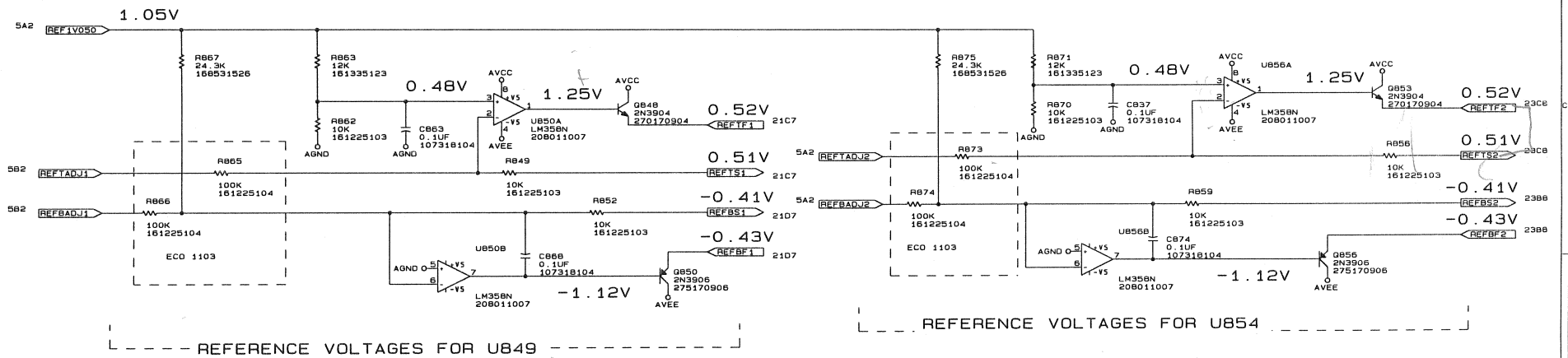
SHEET 22

SHEET 19

ECO: 724-F-1/1112

LeCroy Ltd.  
 Notice: This design is the sole property of  
 LeCroy Corp. and its subsidiaries. No use,  
 reproduction or disclosure permitted without  
 approval of LeCroy Corporation.  
 Size Document Number  
 C acq.sch  
 Date: November 10, 1993 Sheet 10 of 35

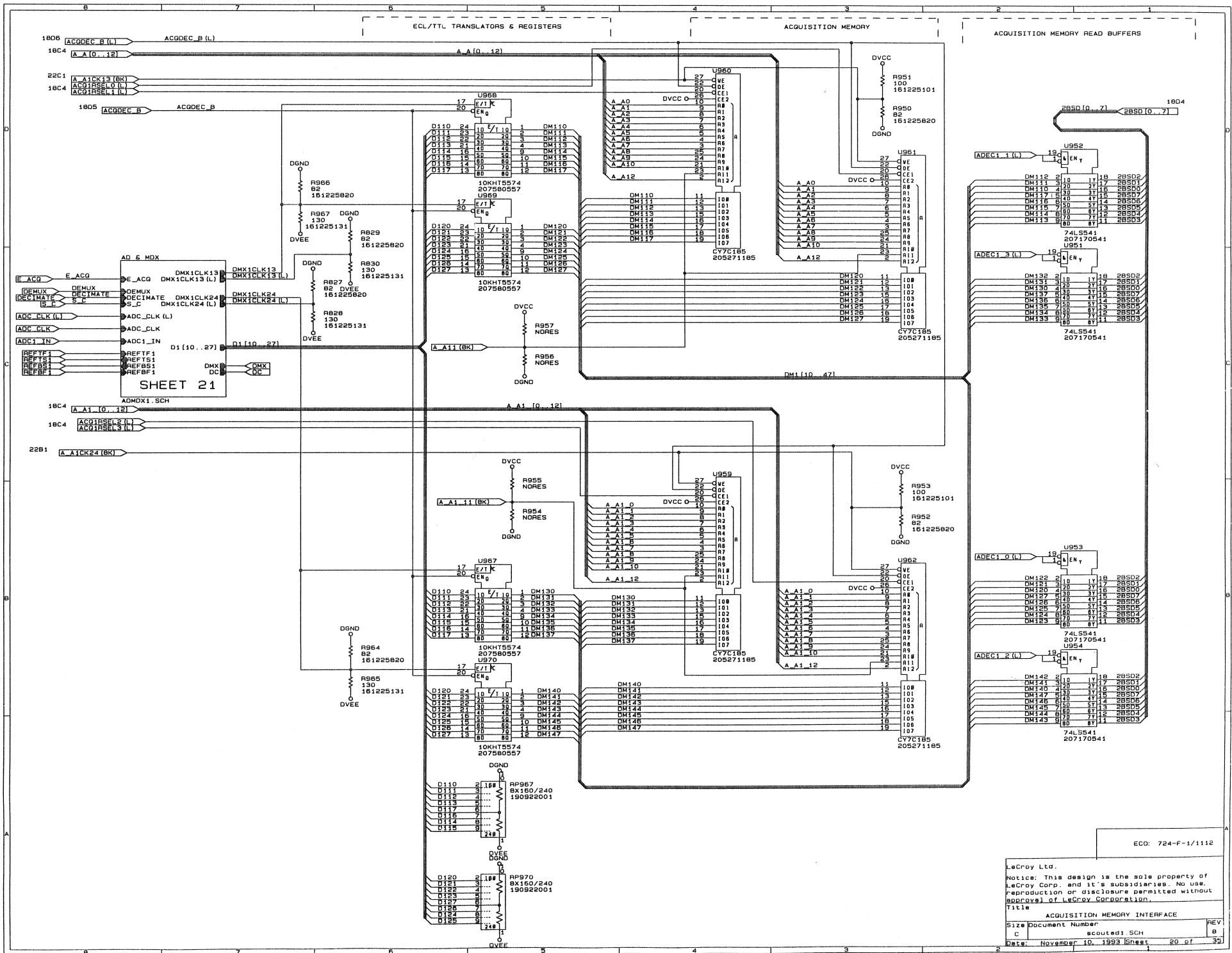
VOLTAGES SHOWN ARE NOT PRECISE.  
 THEY WILL CHANGE AT DIFFERENT VOLTS/DIV SETTINGS.  
 THEY WILL BE DIFFERENT BETWEEN INSTRUMENTS.



ECO: 724-F-1/1106

LeCroy Ltd.  
 Notice: This design is the sole property of LeCroy Corp. and its subsidiaries. No use, reproduction or disclosure permitted without approval of LeCroy Corporation.

Title		ADC REFERENCE ADJUSTORS
Size	Document Number	REV
C	adcref.sch	1 B
Date:	September 8, 1993	Sheet 19 of 32

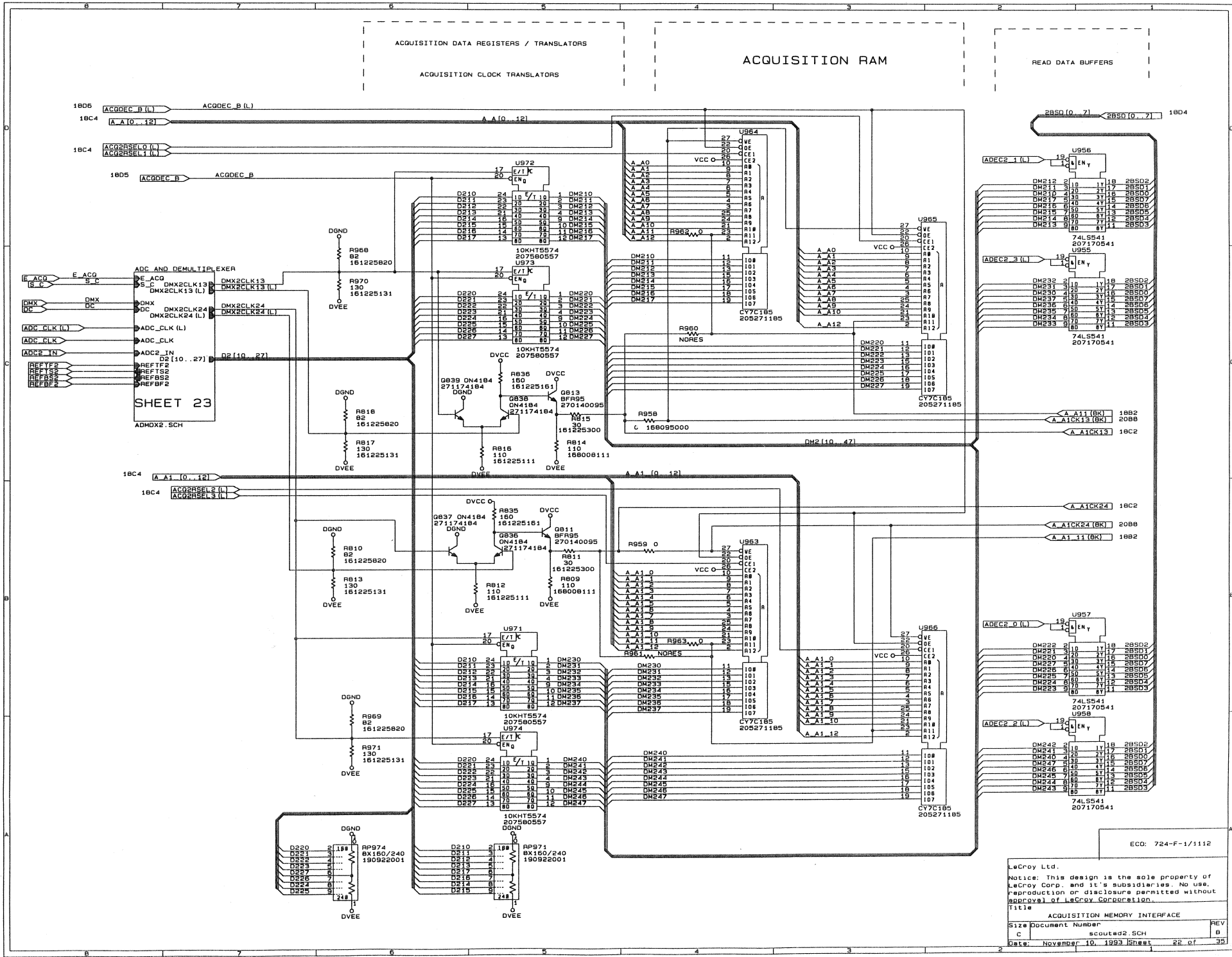


ECO: 724-F-1/1112

LeCroy Ltd.  
 Notice: This design is the sole property of LeCroy Corp. and its subsidiaries. No use, reproduction or disclosure permitted without approval of LeCroy Corporation.

Title: ACQUISITION MEMORY INTERFACE  
 Size: Document Number  
 C: acouted1 SCH  
 Date: November 10, 1993 Sheet 20 of 35

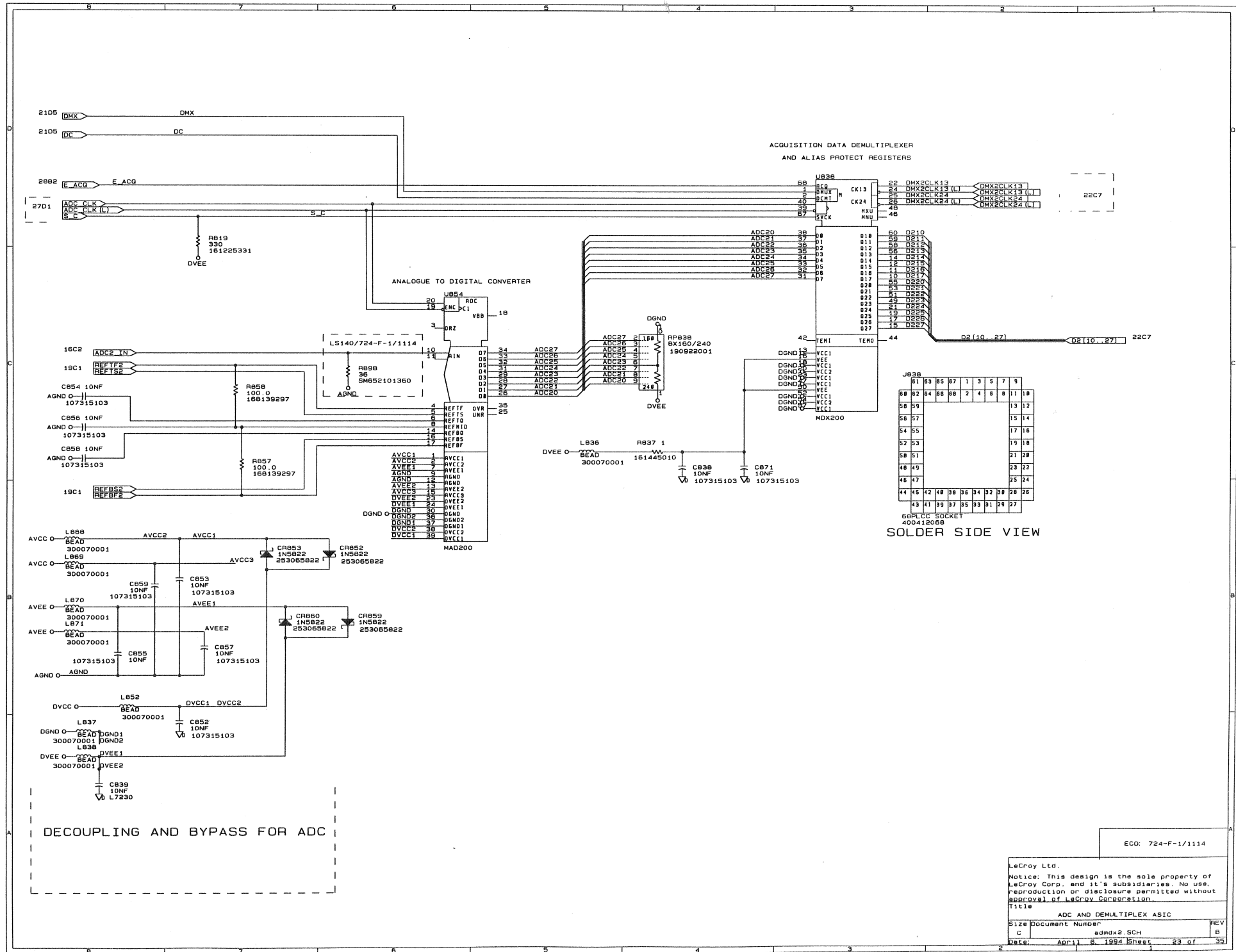




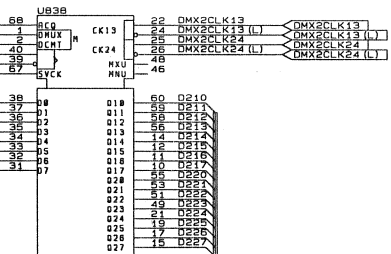
ECO: 724-F-1/1112

LeCroy Ltd.  
 Notice: This design is the sole property of LeCroy Corp. and its subsidiaries. No use, reproduction or disclosure permitted without approval of LeCroy Corporation.  
 Title

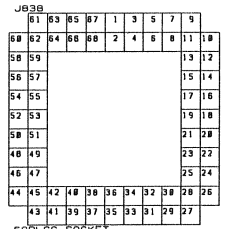
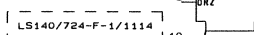
ACQUISITION MEMORY INTERFACE  
 Size Document Number  
 C scouted2 SCH  
 Date November 10, 1993 Sheet 22 of 25



ACQUISITION DATA DEMULTIPLEXER  
AND ALIAS PROTECT REGISTERS



ANALOGUE TO DIGITAL CONVERTER



SOLDER SIDE VIEW

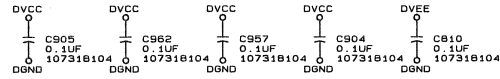
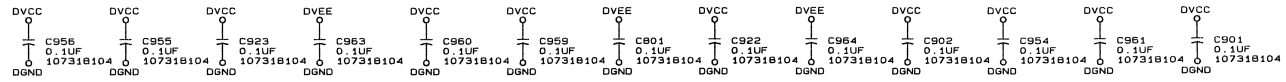
DECOUPLING AND BYPASS FOR ADC

ECO: 724-F-1/1114

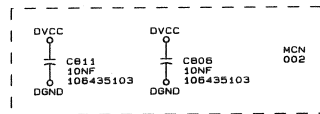
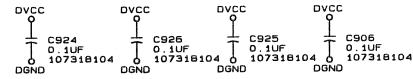
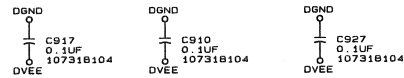
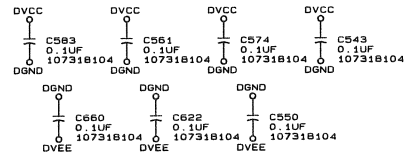
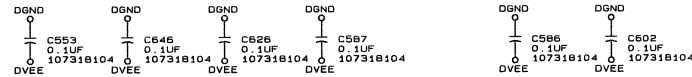
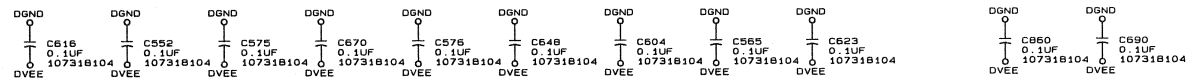
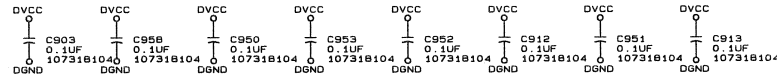
LeCroy Ltd.  
Notice: This design is the sole property of LeCroy Corp. and its subsidiaries. No use, reproduction or disclosure permitted without approval of LeCroy Corporation.

Title		ADC AND DEMULTIPLEXER ASIC	
Size	Document Number	admx2 SCH	
C		REV B	
Date:	April 8, 1994	Sheet	23 of 35





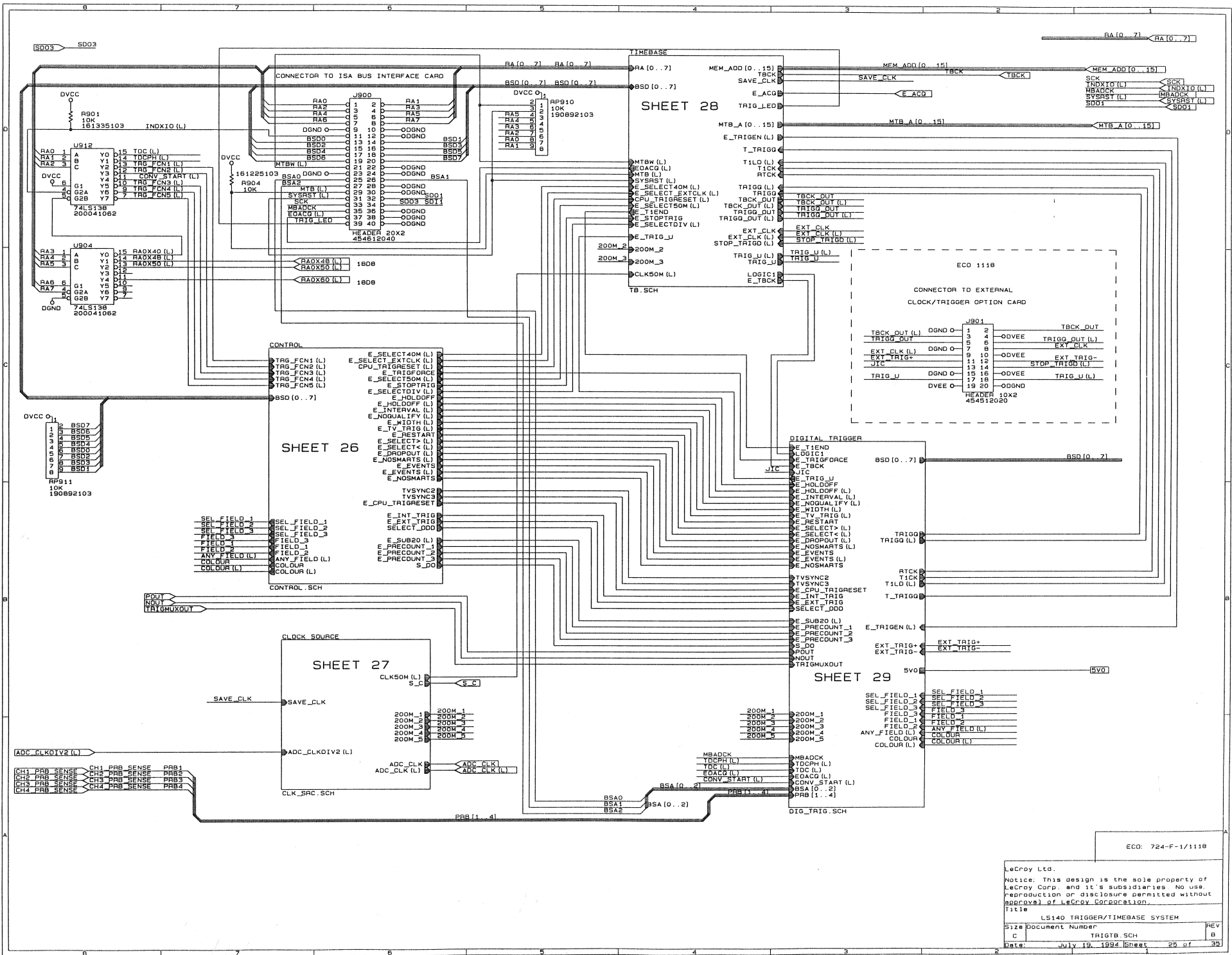
DVCC-DVCC



ECD: 724-F-1/1106  
MCN: 724-F-1/002

LeCroy Ltd.  
Notice: This design is the sole property of LeCroy Corp. and its subsidiaries. No use, reproduction or disclosure permitted without approval of LeCroy Corporation.

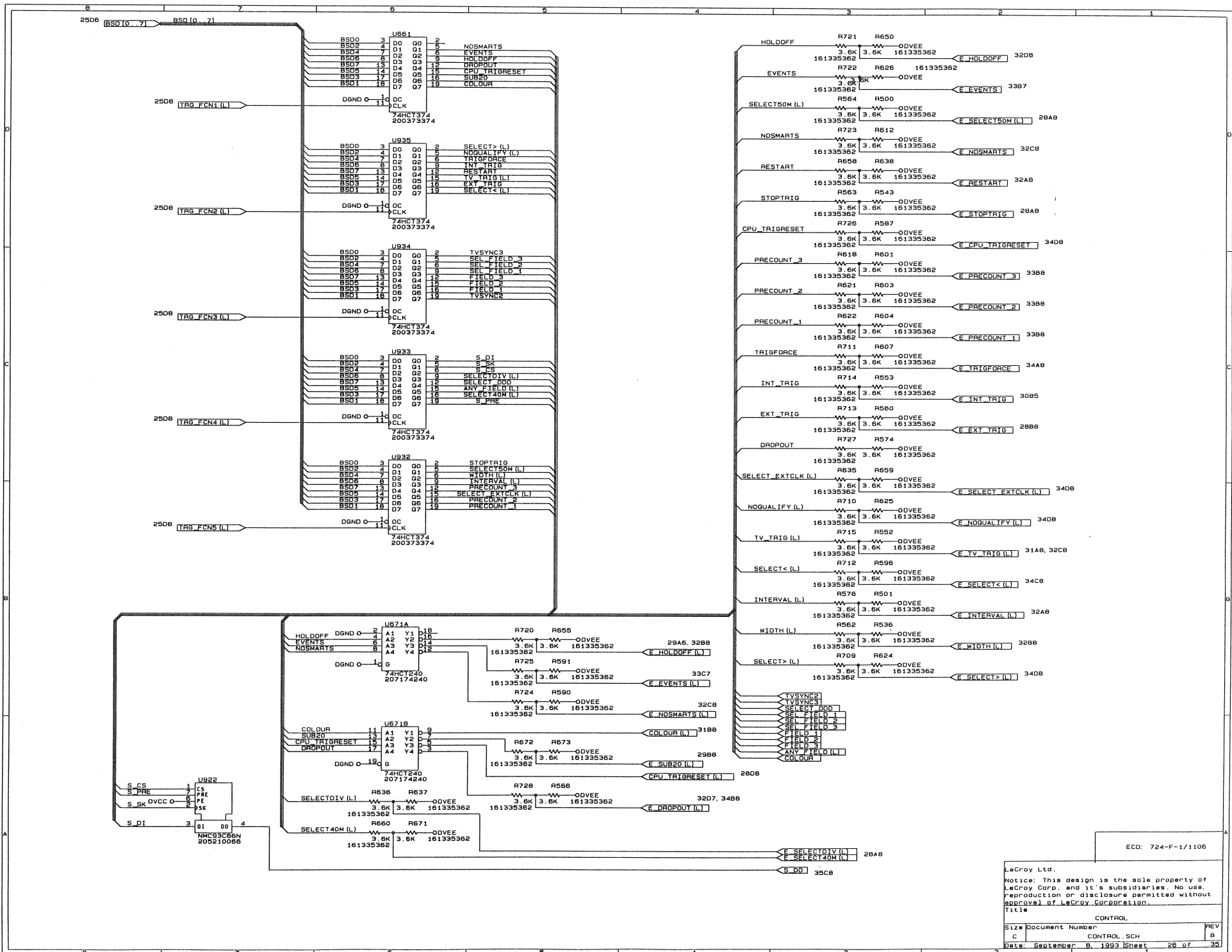
Title: ACQUISITION AND TRIGGER BYPASS CAPACITORS  
Size: Document Number  
C AC00CPL.SCH  
REV: B  
Date: May 23, 1994 Sheet 24 of 35



ECO: 724-F-1/119

LeCroy Ltd.  
 Notice: This design is the sole property of LeCroy Corp. and its subsidiaries. No use, reproduction or disclosure permitted without approval of LeCroy Corporation.

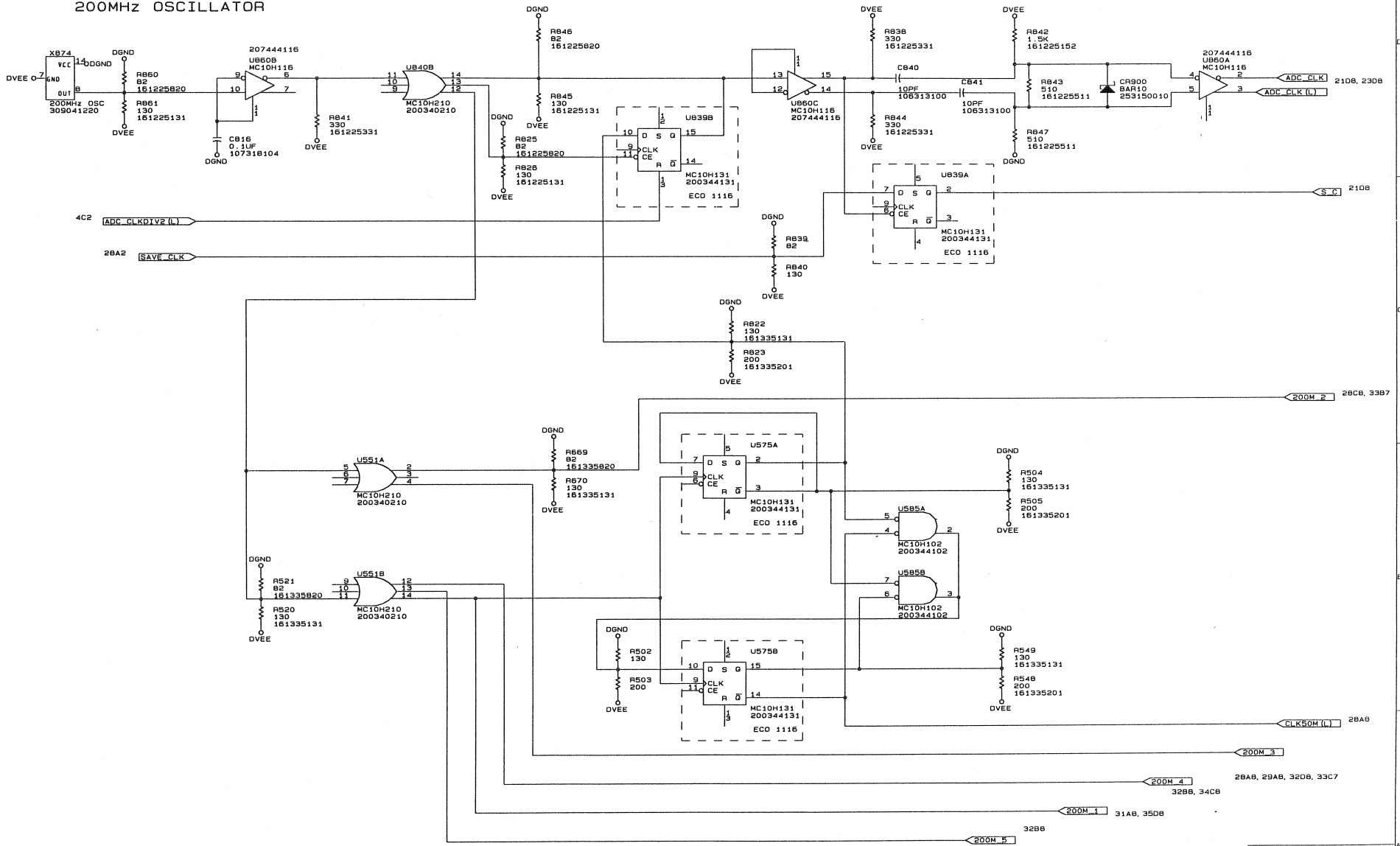
Title: LS140 TRIGGER/TIMEBASE SYSTEM  
 Size: Document Number: TRIGTB.SCH  
 Date: July 19, 1992 Sheet 26 of 33



ECO: 724-F-1/1106

LeCroy Ltd.  
 Notice: This design is the sole property of LeCroy Corp. and its subsidiaries. No use, reproduction or disclosure permitted without approval of LeCroy Corporation.  
 Title CONTROL  
 Size Document Number REV B  
 C CONTROL SCH  
 Date: September 5, 1993 Sheet 28 of 35

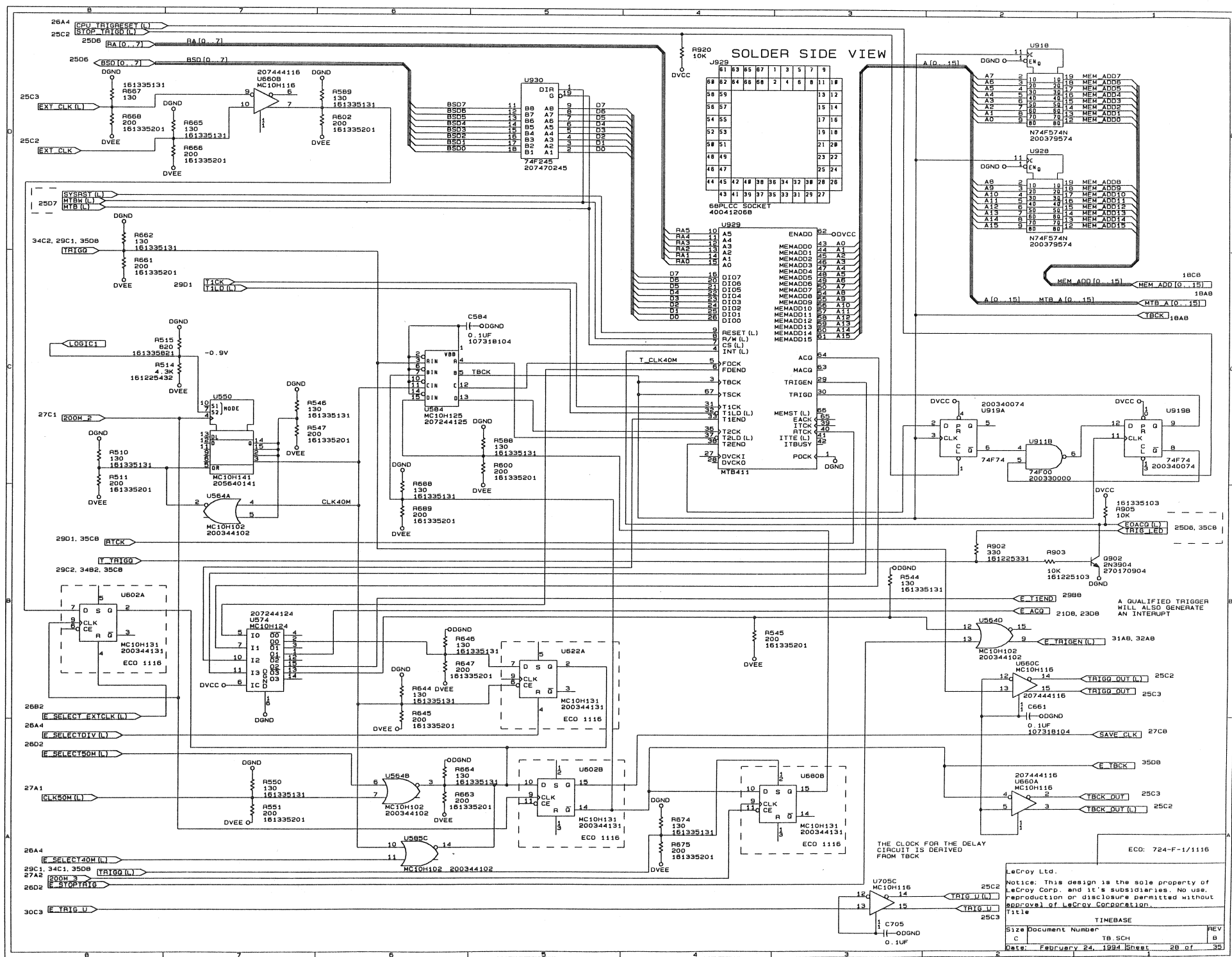
200MHZ OSCILLATOR



ECO: 724-F-1/1116

LeCroy Ltd.  
 Notice: This design is the sole property of LeCroy Corp. and its subsidiaries. No use, reproduction or disclosure permitted without approval of LeCroy Corporation.

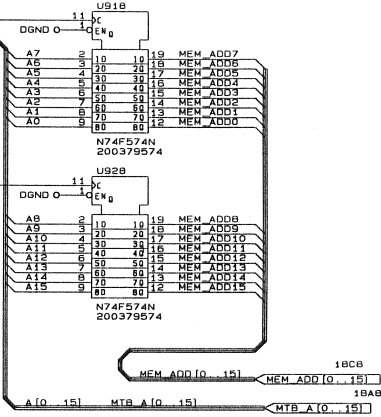
Title		
CLOCK SOURCE AND DISTRIBUTION		
Size	Document Number	REV
C	CLK_SRC SCH	B
Date: February 24, 1994 Sheet 27 of 30		



SOLDER SIDE VIEW

61	83	85	87	1	3	5	7	9
68	82	84	86	88	2	4	6	8
58	59							13
56	57							14
54	55							17
52	53							19
48	49							21
46	47							23
44	45	42	48	38	36	34	32	28
		43	41	39	37	35	33	29

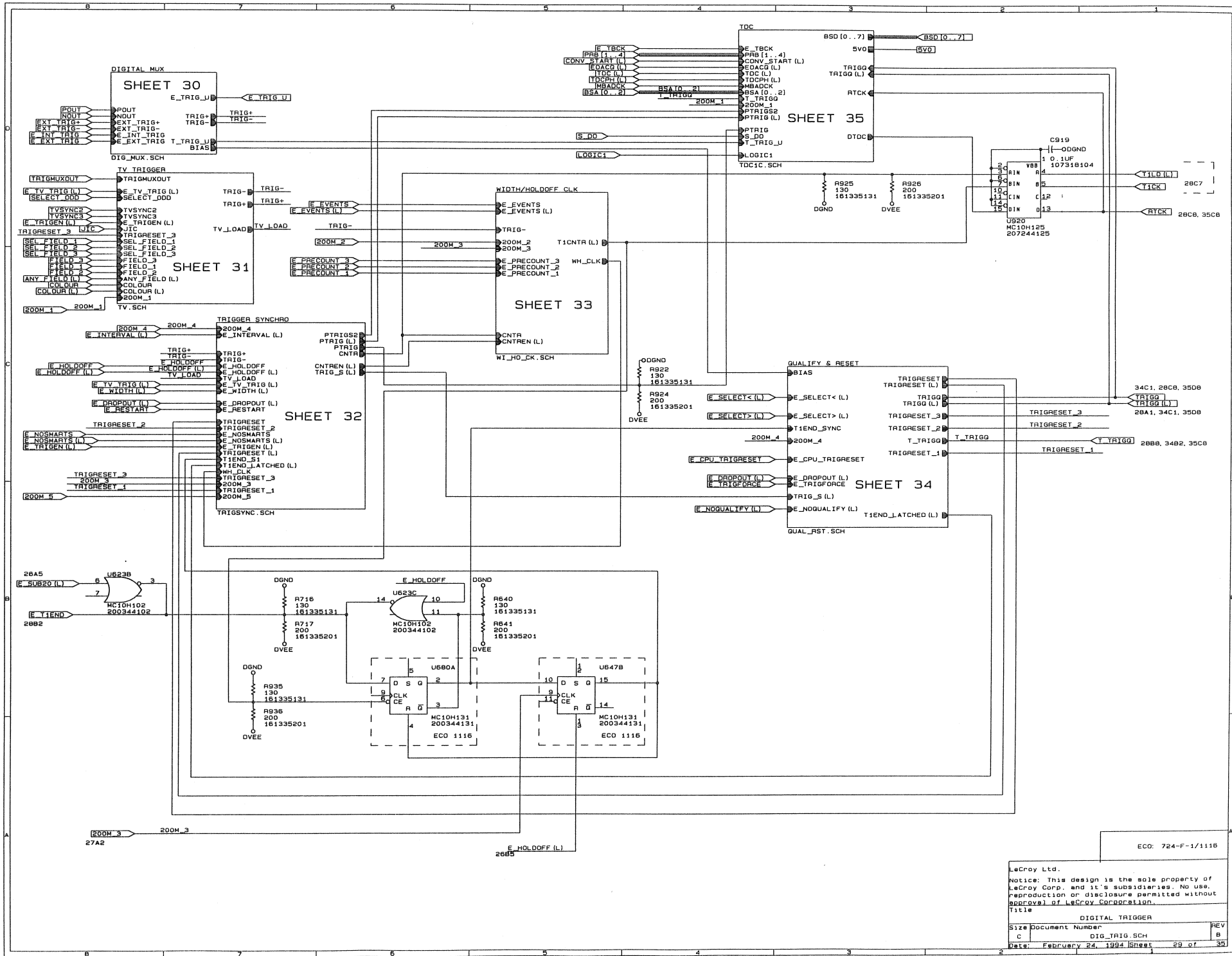
RA5	10	A5	ENADD	32	ODVCC
RA4	11	A4	MEMADD0	43	A0
RA3	12	A3	MEMADD1	44	A1
RA2	13	A2	MEMADD2	45	A2
RA1	14	A1	MEMADD3	46	A3
RA0	15	A0	MEMADD4	47	A4
			MEMADD5	48	A5
			MEMADD6	49	A6
			MEMADD7	50	A7
			MEMADD8	51	A8
			MEMADD9	52	A9
			MEMADD10	53	A10
			MEMADD11	54	A11
			MEMADD12	55	A12
			MEMADD13	56	A13
			MEMADD14	57	A14
			MEMADD15	58	A15



THE CLOCK FOR THE DELAY CIRCUIT IS DERIVED FROM TBCK

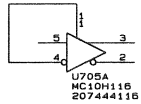
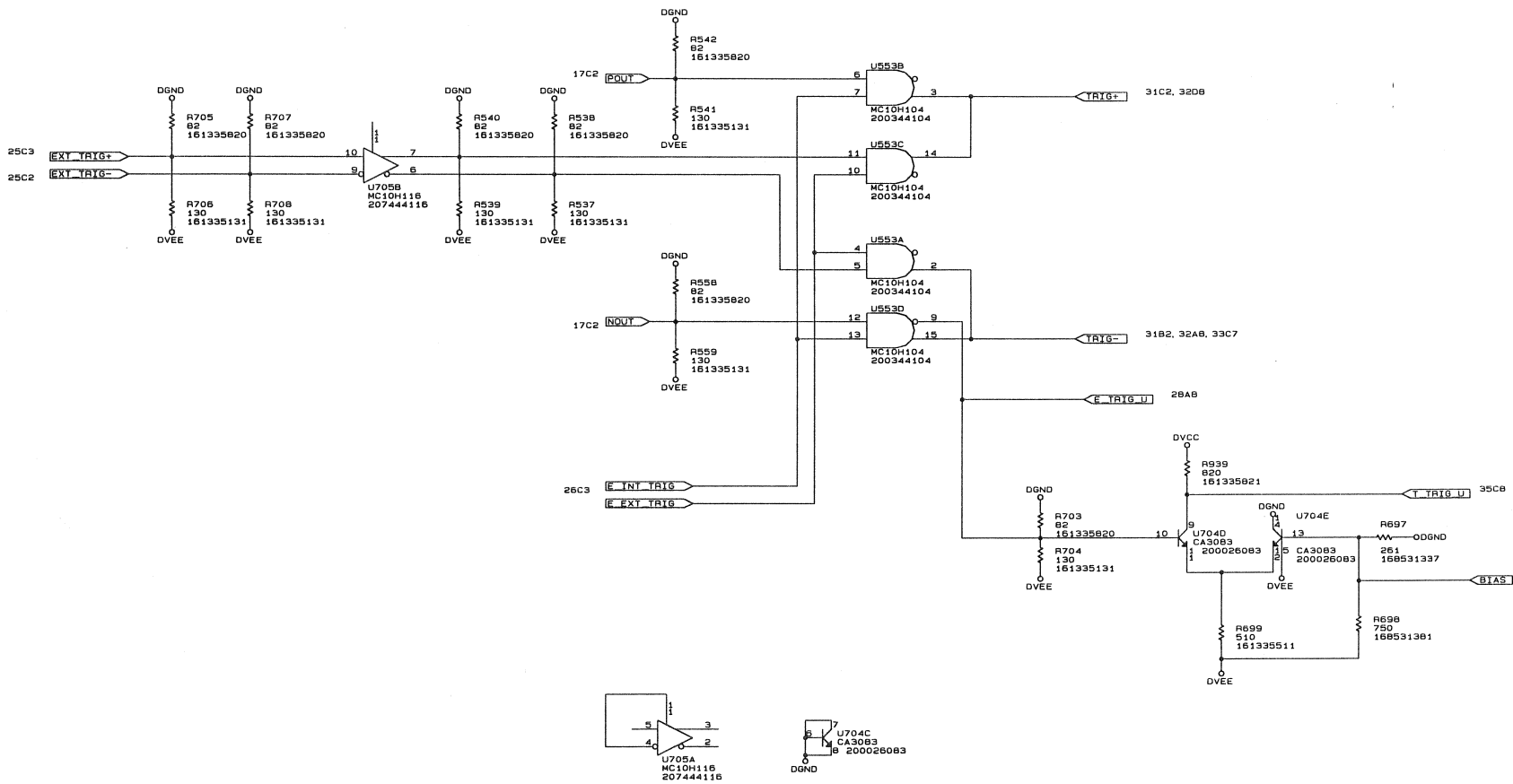
ECO: 724-F-1/1116

LeCroy Ltd.  
Notice: This design is the sole property of LeCroy Corp. and its subsidiaries. No use, reproduction or disclosure permitted without approval of LeCroy Corporation.  
Title: TIMEBASE  
Size: Document Number: REV B  
C: TB SCH  
Date: February 24, 1994 Sheet 28 of 35



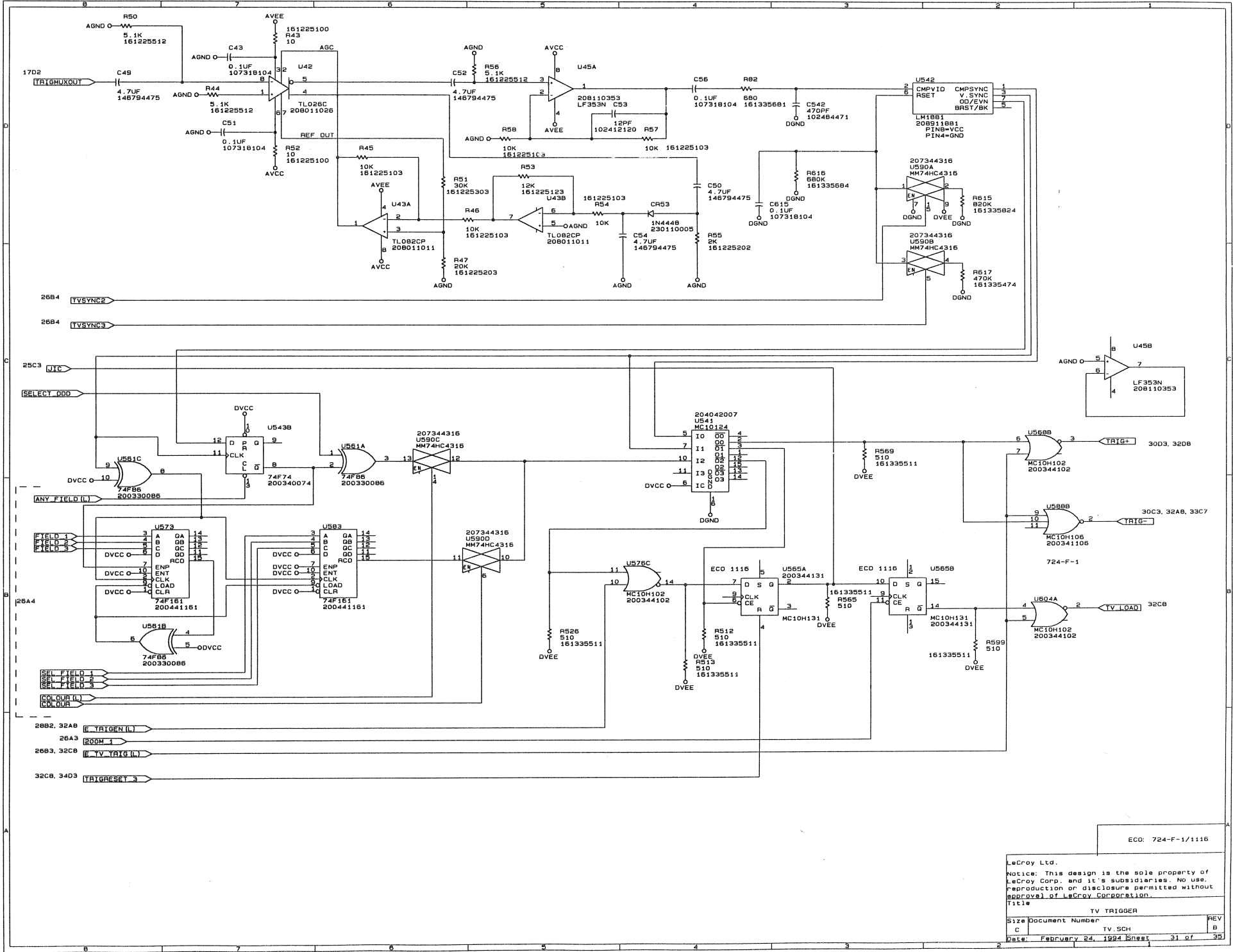
ECO: 724-F-1/1116

LeCroy Ltd.  
 Notice: This design is the sole property of LeCroy Corp. and its subsidiaries. No use, reproduction or disclosure permitted without approval of LeCroy Corporation.  
 Title: DIGITAL TRIGGER  
 Size: Document Number: REV B  
 C: DIG\_TRIG\_SCH  
 Date: February 24, 1994 Sheet 29 of 35



ECO: 724-F-1/1106

LeCroy Ltd.  
 Notice: This design is the sole property of  
 LeCroy Corp. and its subsidiaries. No use,  
 reproduction or disclosure permitted without  
 approval of LeCroy Corporation.  
 Title  
 DIGITAL MUX  
 Size Document Number  
 C DIG\_MUX\_SCH REV  
 Date: September 8, 1993 Sheet 30 of 35



ECO: 724-F-1/1116

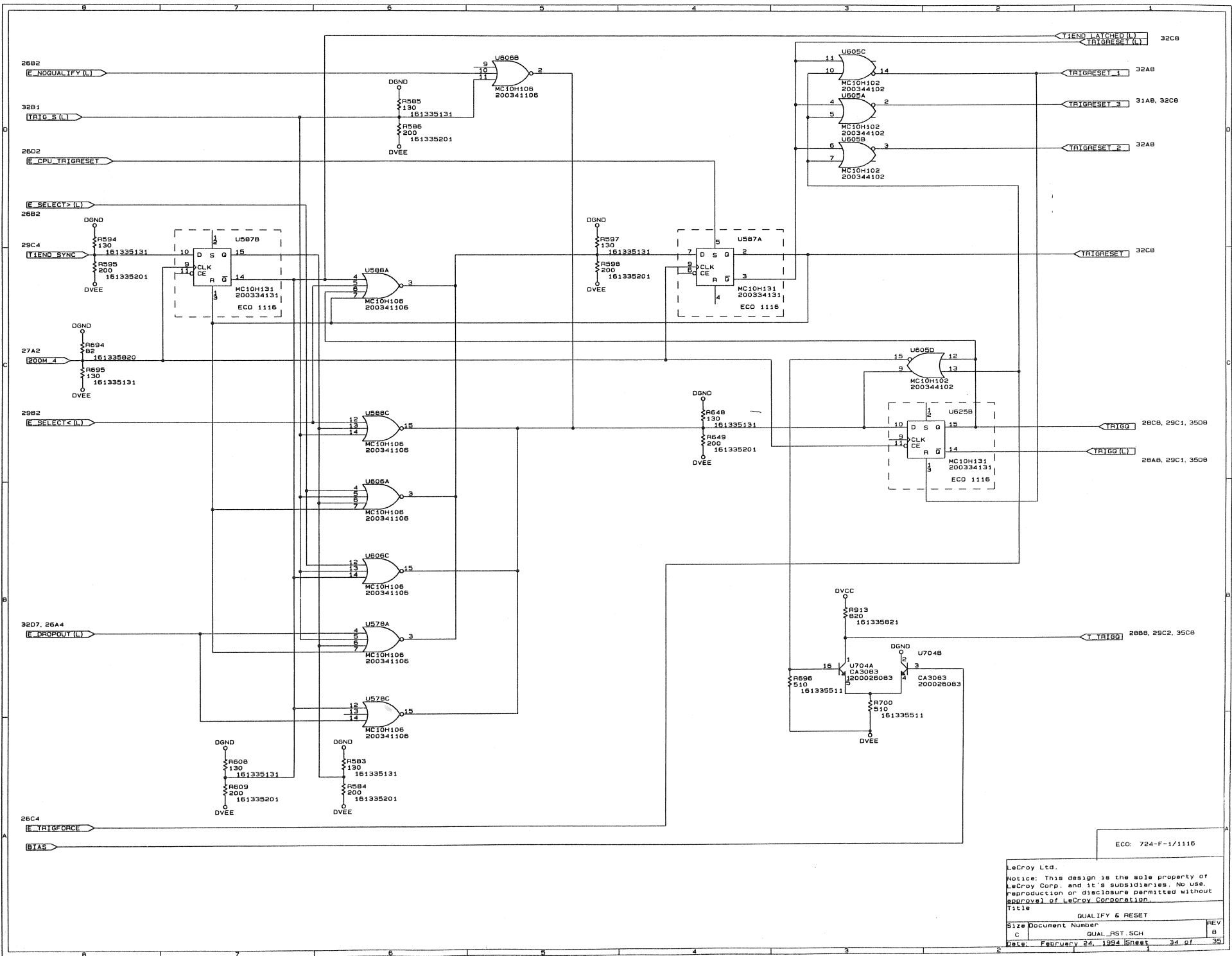
LeCroy Ltd.  
 Notice: This design is the sole property of LeCroy Corp. and its subsidiaries. No use, reproduction or disclosure permitted without approval of LeCroy Corporation.  
 Title

Size	Document Number	REV
C	TV TRIGGER	0
Date:	February 24, 1994	Sheet 31 of 32









ECO: 724-F-1/1116

LeCroy Ltd.  
 Notice: This design is the sole property of LeCroy Corp. and its subsidiaries. No use, reproduction or disclosure permitted without approval of LeCroy Corporation.  
 Title: QUALIFY & RESET  
 Size: Document Number: REV B  
 C: QUAL\_RST\_SCH  
 Date: February 24, 1994 Sheet 34 of 35

