

Delta Sigma ADC Bridge Measurement Techniques

Mark Thoren

Introduction

Sensors for pressure, load, temperature, acceleration and many other physical quantities often take the form of a Wheatstone bridge. These sensors can be extremely linear and stable over time and temperature. However, most things in nature are only linear if you don't bend them too much. In the case of a load cell, Hooke's law states that the strain in a material is proportional to the applied stress—as long as the stress is nowhere near the material's yield point (the "point of no return" where the material is permanently deformed). The consequence is that a load cell based on a resistance strain gauge will have a very small electrical output—often only a few millivolts. In spite of this, instruments with 100,000 counts of resolution and more are possible. This Application Note presents some new approaches to high resolution measurement made possible by Linear Technology's family of 20- and 24-bit delta-sigma analog-to-digital converters.

Often the biggest hurdle in implementing a 20- or 24-bit bridge measurement circuit is moving beyond the conventional signal conditioning circuitry required for 12- to 16-bit ADCs. Simply substituting a 24-bit ADC in a circuit designed for a 12-bit ADC does not guarantee a 4096 fold increase in resolution. While performance may be improved, the 24-bit ADC may simply reveal the limitations of the analog front-end, and the full benefit of the 24-bit ADC will not be realized.

In a typical 12-bit measurement system, the signal conditioning amplifier requires a very high gain in order to make use of the full ADC input range. A sensor with a 10mV full-scale output requires a gain of 500 to use the full input range of a typical 5V input ADC. A filter may be required to reduce noise at the expense of settling time. Additional difficulties arise when dealing with the large common mode voltage typical of a bridge sensor. Most instrumentation amplifiers have a large discrepancy between the typical CMRR and guaranteed minimum, which may require an additional trim.

Linear Technology's differential input delta sigma ADCs address these concerns and make it possible to extract maximum resolution from a variety of bridge measurement devices. The outstanding resolution of these ADCs eliminates the need for amplification in many applications. Even in extreme cases where amplification is required, high resolution ADCs such as the LTC®2440 allow very modest amplifier gains. A fully differential amplifier topology eliminates the differential-to-single-ended stage of a typical 3-amplifier instrumentation amplifier along with the CMRR limitations of this stage.

Linear Technology's delta sigma ADCs also simplify noise filtering. The internal SINC⁴ FIR digital filter results in a very small noise bandwidth (6Hz at 7.5 samples/second) without the long settling time associated with an analog

Δ, LTC and LT are registered trademarks of Linear Technology Corporation. All other trademarks are the property of their respective owners.

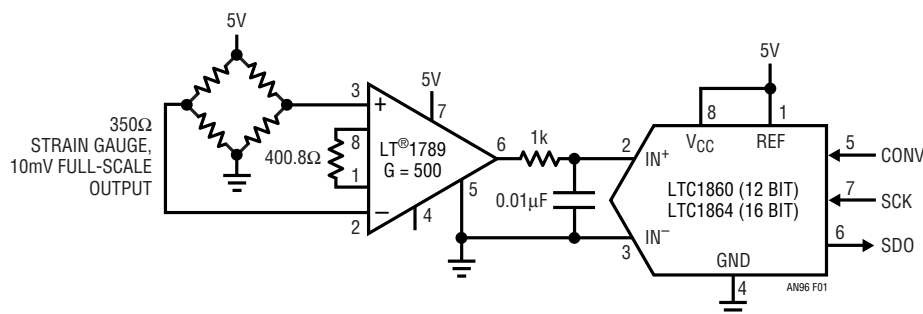


Figure 1. Typical 12-Bit to 16-Bit System

an96fa

Application Note 96

filter of equivalent bandwidth. Thus no filter is required to prevent an amplifier's noise from reducing resolution, or to reject 50Hz-60Hz line pickup.

The 120dB *minimum* CMRR of the ADC itself eliminates concern about the mid-supply common mode voltage of a typical bridge sensor. The ADC also lends itself readily to floating measurements with little additional circuitry. See Design Note 341.

Understanding the capability of the sensor is a critical aspect of measurement circuit design. Often a requirement is stated as a number of "bits of resolution" without taking into account the sensor's limitations, or even the sensor's output voltage. Lack of familiarity with the sensor can result in an improperly designed circuit (bad for product performance) or an overdesigned circuit (bad for financial performance). The applications that follow are developed starting at the sensor and considering its performance in terms of physical units; i.e., kgs, PSI, etc., disregarding the number of "bits" as a figure of merit until the conclusion.

Low Cost, Precision Altimeter Uses Direct Digitization

The availability of small, low cost, piezoresistive barometric pressure sensors has led to a plethora of portable devices with barometer and altimeter functions. The LTC2411 is a perfect companion to these sensors, as it is capable of outstanding resolution with no analog signal conditioning at all.

The NPP301-100 absolute pressure sensor from G.E. Lucas Novasensor is a piezoresistive device in an SO-8 package. Full-scale output is 20mV per volt of excitation voltage at one atmosphere (the sensor's full-scale input). Temperature coefficient of span is nominally $-0.2\%/^{\circ}\text{C}$ (typical of piezoresistive sensors) and the temperature coefficient of offset is $\pm 0.04\%/^{\circ}\text{C}$.

The formula for altitude vs pressure, based on the 1976 U.S. standard atmosphere is:

$$\text{Altitude (Ft)} = \frac{10^{\left(\frac{\log_{10}\left(\frac{P}{P_0}\right)}{5.2558797}\right)}}{-6.8755856 \cdot 10^{-6}}$$

where P is the pressure at a given altitude and P_0 is the pressure at sea level.

The input resolution of the LTC2411 is $1.45\mu\text{V}_{\text{RMS}}$ (independent of reference voltage), providing a pressure resolution of:

$$1000\text{mB} \cdot \frac{1.45\mu\text{V}}{100\text{mV}} = 0.0145\text{mB} \\ (0.00043 \text{ inches of mercury})$$

when the bridge is excited with 5V. 0.0145mB corresponds to an altitude resolution of 5 inches at sea level, everything else being perfect.

The circuit shown in Figure 2 records pressure and temperature data once every 15 seconds to a 32k EEPROM. An FM75 pre-calibrated temperature sensor measures temperature. Each data point contains the entire 32-bit output word from the LTC2411 and temperature to the nearest $1/16^{\circ}\text{C}$. Three AA cells provide both power and a quiet reference voltage. The ratiometric bridge measurement cancels the effect of long-term drift of the battery voltage. The overall accuracy of the measurement is not affected by reduced battery voltage, however the noise floor increases proportionally.

Figure 3 shows altitude data from a steep hike to the top of Mission Peak (summit at 767m (2517ft) in Fremont, CA) on a cold evening. The raw altitude data clearly shows the barometric sensor's temperature sensitivity—the indicated altitude at the summit is more than 152m (500ft) too low due to the drop in temperature. Correcting for temperature effects based on the nominal $-1900\text{ppm}/^{\circ}\text{C}$ bridge temperature coefficient brings the maximum altitude to 780m (2560ft), much closer to the true value of 767m (2517ft). More accurate results are possible with further calibration.

How Many Bits?

The effective number of bits based on the ADC resolution and 100mV output of the sensor is

$$\text{LOG}_2\left(\frac{100\text{mV}}{1.45\mu\text{V}}\right) = 16.1 \text{ Bits}$$

The Marketing department will raise their eyebrows and devote whole ad campaigns around the extra 0.1 bit and

an96fa

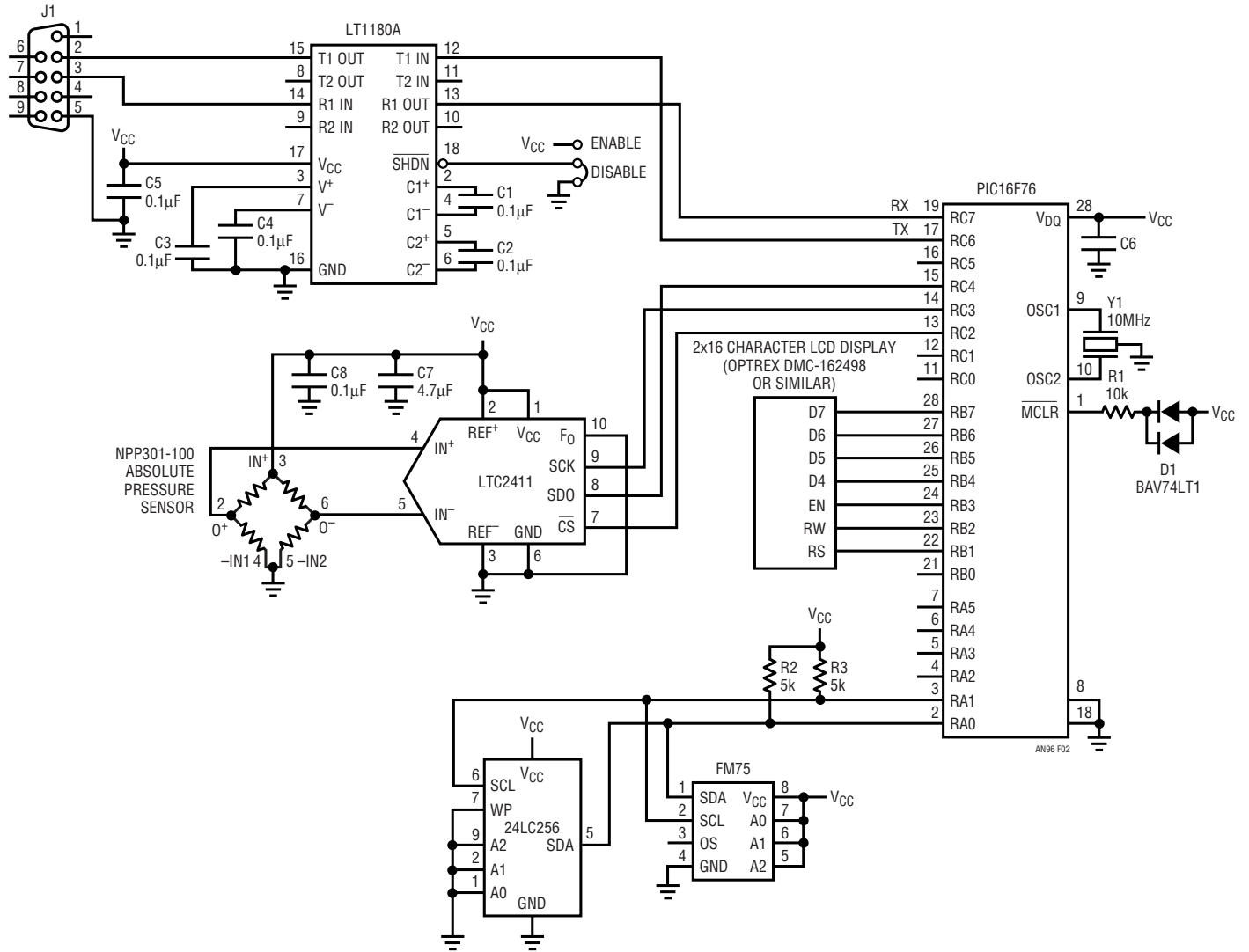


Figure 2. Logging Altimeter

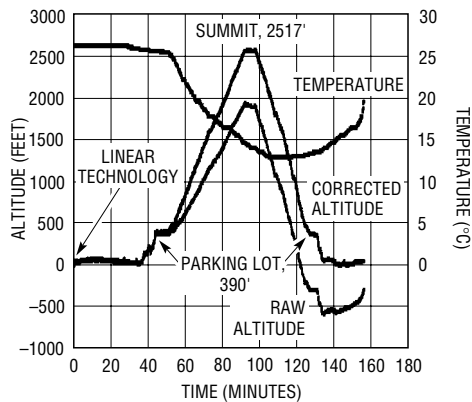


Figure 3. Example Altitude Data

Application Note 96

five inch resolution. A skydiver or mountaineer, though, is more concerned with the overall absolute accuracy in a wide range of conditions than the impressive sounding number of bits.

Increasing Resolution with Amplifiers

Linear Technology's delta sigma ADCs eliminate the need for instrumentation amplifiers in many instances. However, if the ADC by itself is not adequate, a properly designed amplifier can increase the overall resolution.

Figure 4 shows a differential amplifier with an input resolution of $375\text{nV}_{\text{RMS}}$ over the bandwidth of the LTC2431. The LTC2051 is an autozero amplifier with an input offset of $3\mu\text{V}$ and an offset drift of $30\text{nV}/^\circ\text{C}$, ideal for applications in which long-term drift and accuracy are critical.

How Much Gain?

With high resolution ADCs, it is often unnecessary (and sometimes detrimental) to match the amplifier's output range to the input range of the ADC. Instead, limit the gain to a value such that the overall resolution is limited by the amplifier's input noise.

Table 1 shows the effects of various gains on the performance of the circuit in Figure 4. At a gain of 1, the

$5.6\mu\text{V}_{\text{RMS}}$ input noise of the LTC2431 ADC dominates. At a gain of 2, the noise of the ADC still dominates, but the input resolution is doubled. Around a gain of 30, the amplifier's input noise starts to dominate. Increasing gain to more than 40 only provides an incremental improvement in resolution. Increasing the gain further increases the measurement errors due to the LTC2051's bias current and finite open-loop gain. Even at a gain of 80, less than 20% of the ADC's input range is used if the input is a standard 10mV output strain gauge. Don't be tempted to bump the gain to 250 to use the whole $\pm 2.5\text{V}$ input range; the overall resolution will not be improved.

Table 1

R_G	GAIN	FRACTION OF ADC SPAN USED	NOISE AT AMPLIFIER OUTPUT (μV_{RMS})	NOISE REFERRED TO INPUT (μV_{RMS})
(None)	1	1/500	6	6
82.5k	2	1/250	6	3
20.6k	5	1/100	6	1.2
9.15k	10	1/50	7	0.7
4.33k	20	1/25	9.5	0.475
2.11k	40	1/12	15	0.375
1.04k	80	1/6	26	0.325

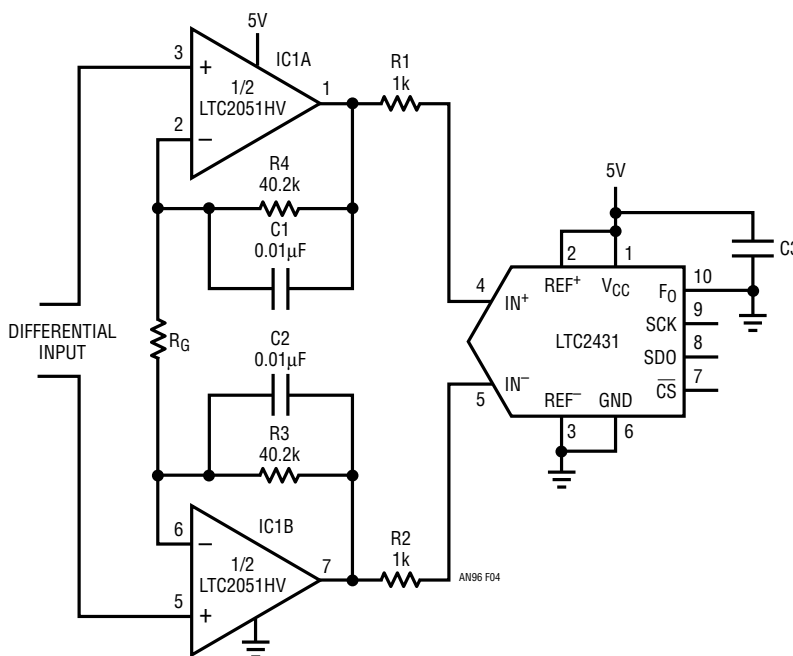


Figure 4. Low Noise Differential Amplifier

an96fa

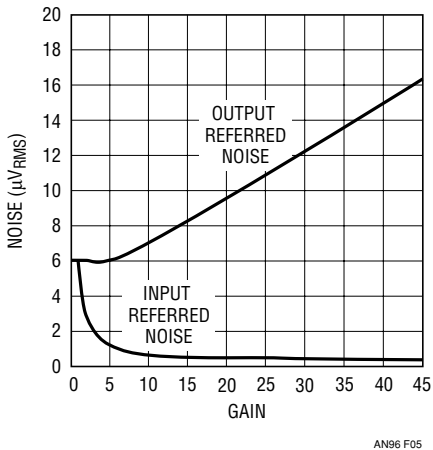


Figure 5. Noise vs Gain

ADC Response to Amplifier Noise

When properly designed, the resolution of this circuit is limited almost entirely by the amplifier’s input noise. This is the case whenever the amplifier’s input noise is lower than the ADC’s input noise (there is no point in using an amplifier that is noisier than the ADC). So how does one determine the total noise from the ADC and amplifier data sheets?

This is an easy exercise with low resolution sampling converters. The ADC inputs typically have a flat frequency response out to the full-power bandwidth given in the data sheet (which may be significantly higher than 1/2 of the ADC’s maximum sample rate). The bandwidth of the amplifier-ADC combination is limited by either the amplifier’s bandwidth or the ADC’s full-power bandwidth. As long as the total noise that gets through this system (calculated from the amplifier’s wideband noise and the square root of the smaller of the amplifier bandwidth or the ADC bandwidth) is a small fraction of an LSB, the problem is solved. Common noise reduction techniques are simple RC filters directly in front of the ADC or a 2nd order Sallen-Key filter.

Once again, Linear Technology’s delta sigma ADCs change the approach to noise reduction. The full-power bandwidth of these devices is approximately 3Hz when operating in the 50Hz or 60Hz rejection mode (7.5sps or 6.25sps) and the response to wideband noise is equivalent to a 6Hz brickwall filter. It is exceedingly difficult to build an analog filter that will improve upon this without degrading some other parameter.

The 6Hz bandwidth figure predicts total noise fairly accurately for autozero amplifiers that have flat noise power densities from DC to some frequency higher than 6Hz. (Note that this bandwidth must be scaled appropriately if the conversion rate is changed by applying an external conversion clock. For instance, applying a 300.7kHz conversion clock to an LTC2411 will result in a 12Hz noise bandwidth.)

For most amplifiers, a good first estimate of the $\Delta\Sigma$ ADC’s response to amplifier noise is the 0.1Hz to 10Hz peak-to-peak noise specification divided by a crest factor of six.¹ It is only fair to calculate noise from 10 seconds worth of ADC data for non-autozero amplifiers; longer sets of data contain 1/f noise components below 0.1Hz as well as thermal drift components.

The 0.1Hz to 10Hz noise for the LTC2051HV is $1.5\mu\text{V}_{\text{P-P}}$ or $1.5\mu\text{V}/6 = 250\text{nV}_{\text{RMS}}$. Since two amplifiers are used, the total noise is $250\text{nV}_{\text{RMS}} \cdot \sqrt{2} = 353\text{nV}_{\text{RMS}}$, very close to the measured value. (This rule has proved fairly accurate in a large number of experiments with both autozero and low-noise bipolar amplifiers.)

How Many Bits?

Table 2 extends Table 1 with another column for the effective number of bits based on the input-referred noise and a 10mV full-scale input signal at 7.5 sample/sec.

Table 2

R_G	GAIN	FRACTION OF ADC SPAN USED	NOISE AT AMPLIFIER OUTPUT	NOISE REFERRED TO INPUT	EFFECTIVE NUMBER OF BITS
(none)	1	1/500	6	6	10.7
82.5k	2	1/250	6	3	11.7
20.6k	5	1/100	6	1.2	13
9.15k	10	1/50	7	0.7	13.8
4.33k	20	1/25	9.5	0.475	14.4
2.11k	40	1/12	15	0.375	14.7
1.04k	80	1/6	26	0.325	14.9

Faster or More Resolution with the LTC2440

The LTC2440 has an input noise of $200\text{nV}_{\text{RMS}}$ at the base data output rate of 6.8sps—seven times lower than the LTC2411. Also, the variable oversample ratio allows speed and resolution to be optimized for a given application.

¹Based on a 99.97% probability.

Application Note 96

Decreasing the oversample ratio by a factor of 2 increases the data rate and effective bandwidth by a factor of 2, the total noise increases by a factor of $\sqrt{2}$, and the effective number of bits is reduced by 1/2 bit. (Increasing data rate by 4 reduces ENOB by 1 bit.) This relationship holds for data output rates from 6.8Hz to 880Hz. The highest two output rates include additional quantization noise, but the linearity, offset, and full-scale error do not change.

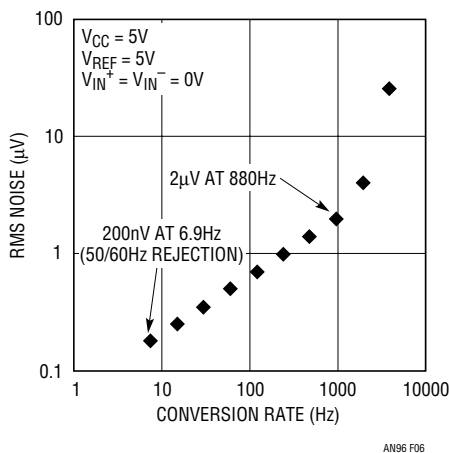


Figure 6. LTC2440 Speed vs RMS Noise

This increase in performance does not come entirely for free. The LTC2411 family devices are relatively easy to drive. Source impedances of up to 10k do not degrade performance if parasitic capacitance at the inputs is kept to a minimum, and the effective input impedance is on the order of 3MΩ to 5MΩ. On the other hand, the LTC2440 samples the inputs at 1.8MSPs, or 11.5 times faster than the LTC2411. This means that any disturbance at the inputs must settle more than 11.5 times faster and the effective input impedance is approximately 110kΩ. There are two ways to meet the settling time requirement: lower the source impedance or keep any sampling disturbance from happening at all. Resistive sources located very close to the LTC2440 can meet these criteria; current shunts and 350Ω strain gauges may not require any signal conditioning at all. Most signals, though, require buffering of some sort. The LTC2440 data sheet contains a further discussion of these effects.

Sampling glitches from the LTC2440 contain very high frequency components (>250MHz). Loading the inputs to the LTC2440 with large (1µF) capacitors reduces the sampling glitches to an insignificant level. Of course, most

amplifiers do not behave very well when driving this sort of load, so additional compensation is required.

Figure 7 shows a basic high impedance buffer for applications that require DC accuracy. During a conversion, the disturbances emanating from the ADC's inputs are attenuated by the ratio of $C_{SAMPLE}/1\mu F$, or ~100dB for the LTC2440, and the amplifier simply supplies the average sampling current.

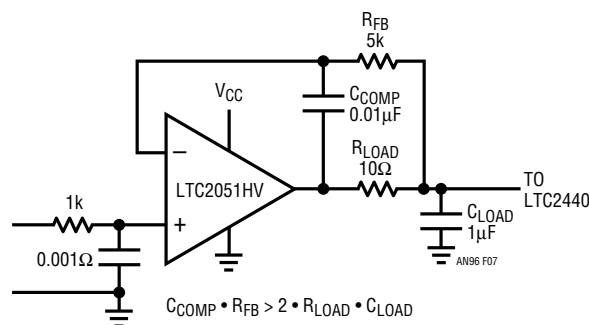


Figure 7. Basic Buffer for the LTC2440

The input noise of two LTC2051s is approximately equal to the input noise of the LTC2440 by itself, which means that the overall resolution is reduced by a factor of 2 (one effective bit) when both inputs are buffered.

Low noise bipolar amplifiers can be orders of magnitude quieter than chopper or autozero amplifiers at frequencies above the amplifier's 1/f corner. Low frequency noise and drift are not a problem for AC applications, but may require canceling for high accuracy DC measurements. AC excitation cancels any DC error sources and allows for extremely high-resolution bridge measurements.

The circuit in Figure 8 uses the LT1678 low noise amplifier and correlated double sampling to achieve a single reading resolution of 14nV_{RMS}. The amplifiers are compensated to drive 1µF capacitors at the inputs to the LTC2440. The 200nV input noise of the LTC2440 allows for a conservative gain of 21, thus reducing errors associated with finite amplifier gain and large output swings. Even rail-to-rail amplifiers tend to perform better when their outputs are far away from the rails; this circuit only produces a 210mV differential output for a full scale 10mV input, keeping both outputs happily close to mid-supply. This is in contrast to circuits that use an instrumentation amplifier with a gain of 500 in order to fill the entire input range of a lower resolution ADC—another major advantage of the LTC2440.

an96fa

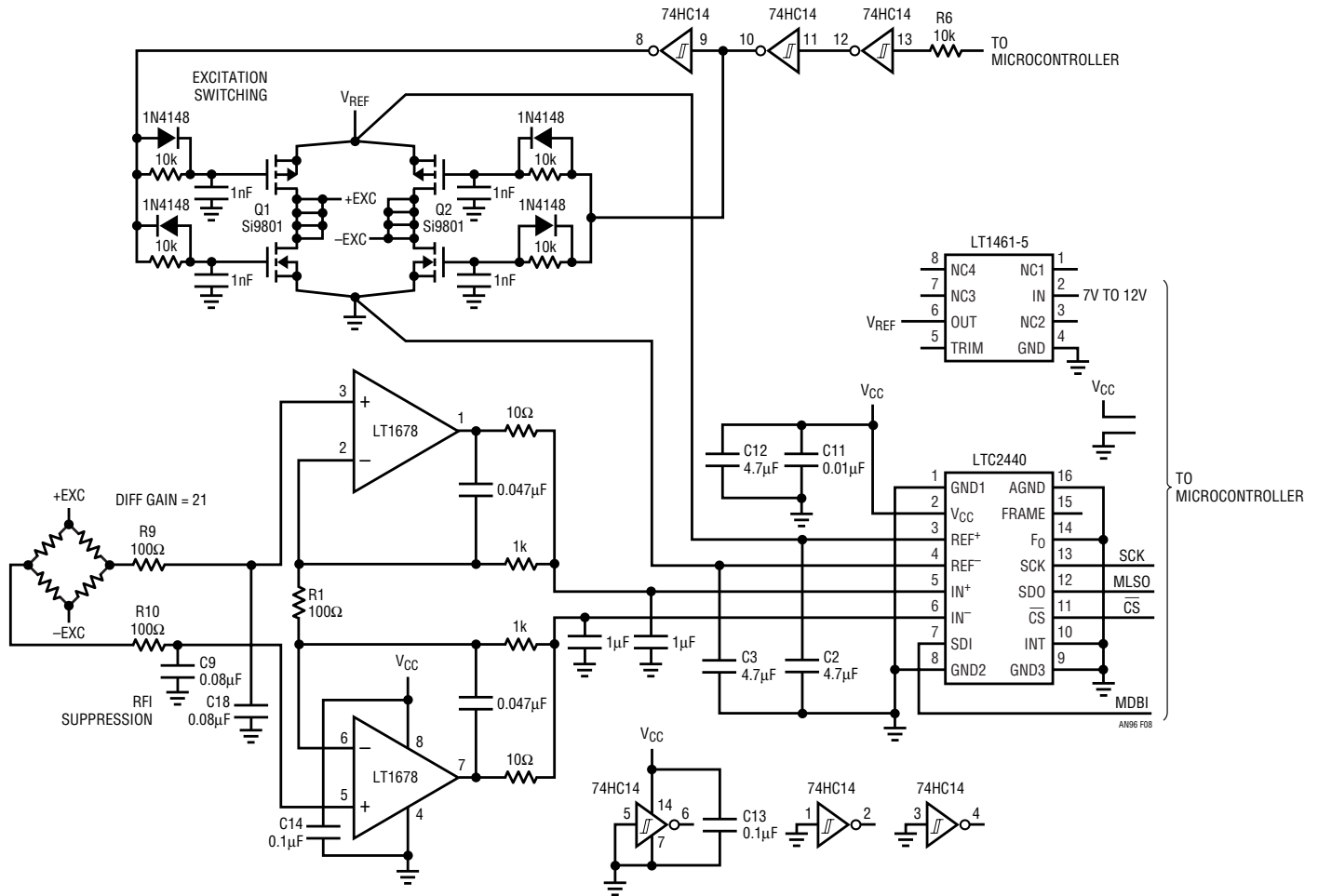


Figure 8. Single 5V Supply Circuit Resolves 1 Part in 200,000 Over a 10mV Strain Gauge Output Span

Reversing the excitation to the bridge produces several benefits. First of all, autozero amplifiers are not required to maintain DC accuracy, since all offsets are cancelled. Parasitic thermocouples are cancelled as well since these voltages appear in series with the amplifier offsets. If the signal wires from the sensor are of even slightly different composition, a thermocouple pair will result. Consider the case of two “identical” copper wires that have a thermoelectric potential of $0.2\mu\text{V}/^\circ\text{C}$. A “temperature noise” of $1^\circ\text{C}_{\text{RMS}}$ translates directly to $200\text{nV}_{\text{RMS}}$ measurement noise (Linear Technology Application Note 86, Appendix J).

Bridge excitation switching is accomplished by brute force with two Si9801DY FET half bridges. While this may seem less elegant than driving the excitation with force/sense amplifiers, it eliminates the need for supply voltages outside of 0V and 5V and the errors introduced are far less than those of most very high quality sensors. The total $R_{\text{DS(ON)}}$ of 0.13Ω translates to a mere 0.037% full-scale error and the $5000\text{ppm}/^\circ\text{C}$ temperature coefficient of $R_{\text{DS(ON)}}$ only causes $-2\text{ppm}/^\circ\text{C}$ drift when used with a 350Ω bridge. These errors will be almost three times less with a 1000Ω bridge.

Application Note 96

Figure 9 shows the inputs to the LTC2440 and the state of BUSY pin, indicating when sampling is taking place.

How Many Bits?

A full-scale input of 10mV and an input noise of 14nV_{RMS} gives 19.4 bits, noteworthy to the Marketing department. With this level of precision, the bridge itself is the dominant error source. Consider the Omega LC1001 series calibrated, temperature compensated load cells. This device has a full-scale error of 0.25%, a zero offset of 1% of full scale and a linearity of 0.05% of full scale. Temperature coefficient of both zero and span are $20\text{ppm}/^\circ\text{C}$. All of these errors can be calibrated out, including thermal drift if the temperature of the cell is measured. However,

mechanical hysteresis and non-repeatability affect the maximum resolution that can be achieved under all conditions. The hysteresis specification for this load cell is 0.03% of full scale, or 1 part in 3333. This does not necessarily mean that this will be an “11.7-bit” system—it depends on the application. If this load cell is used in a parts counting scale, then it will be zeroed frequently and the load will be quickly applied and measured. Long term creep effects that lead to hysteresis will be negligible.

To illustrate the real resolution of the circuit in Figure 8, half a penny was dropped onto a Tede a model 1240 load cell with a 200kg full-scale range, equivalent to adding 1 part in 200,000. As Figure 10 shows, the additional weight is clearly registered.

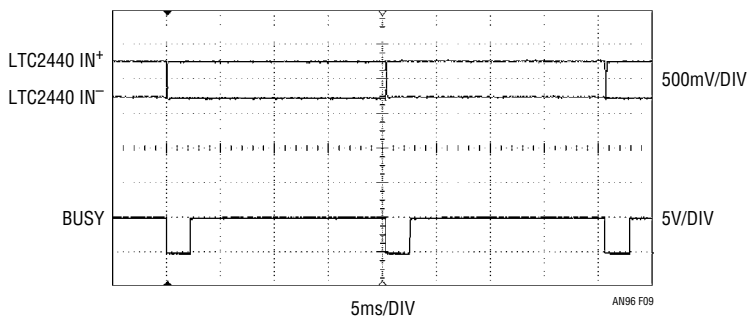


Figure 9. Amplifier Waveforms

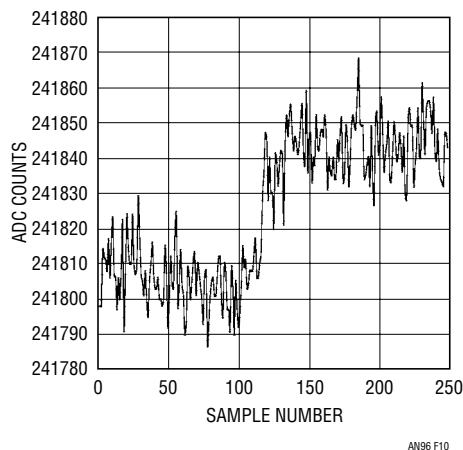


Figure 10. 1 Gram Step

Appendix A—Frequency Response of an AC Excited Bridge

The AC excitation technique described in the last application circuit is actually a simple finite impulse response (FIR) filter. Any signal not caused by the excitation voltage (which includes all offsets and amplifier input noise) sees a 2-tap FIR filter with coefficients of (0.5, -0.5). This produces a null at DC, f_S , $2f_S$, etc., and a gain of 1 (0dB) at $f_S/2$, $3f_S/2$, $5f_S/2$, etc., and the frequency response is $0.5 - 0.5 \cdot \text{COS}(2\pi \cdot f/f_S)$.

Noise at 3.4Hz is not attenuated, but it actually isn't quite so bad. The ADC's own internal filter is down 3dB at the sampling frequency so the net gain is -3dB at 3.4Hz. Although 3.4Hz is below the amplifier's 13Hz 1/f corner, it is still faster than any expected thermal effects.

The autozeroing process also affects the response of the input signal. Since the excitation reversal is calculated out in software, the result is a 2-tap FIR filter with coefficients of (0.5, 0.5). This produces a gain of 1 at DC, f_S , $2f_S$, etc., and a null at $f_S/2$, $3f_S/2$, $5f_S/2$, etc., and the frequency response is $0.5 + 0.5 \cdot \text{COS}(2\pi \cdot f/f_S)$. This also reduces the bandwidth by a factor of 2, which reduces the noise by a factor of 2.

Since the LTC2440 input noise is Gaussian, averaging more samples further reduces the noise. (Noise is reduced by a factor of the square root of the number of readings averaged.) The optimum number of samples to average depends on the application—where the cost for additional noise reduction is increased settling time.

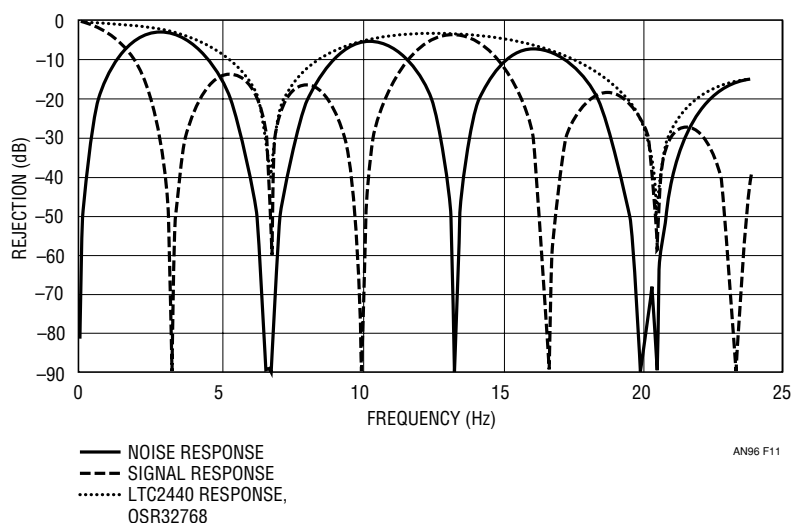


Figure 11. Correlated Double Sampling Frequency Response

Appendix B—Measuring Resolution, RMS vs Peak-to-Peak Noise and Psychological Factors

When testing signal conditioning circuits, it is important to isolate error sources and be familiar with the limitations of the sensor. In the case of the circuit in Figure 8, the first test is to short the differential amplifier inputs together and bias them to mid-supply. This emulates a perfect load cell with zero offset and zero output impedance. In this configuration, the only output is the noise and offset of the circuit itself. Another test is to connect the inputs to a mid-supply bias through two 350 Ω resistors, adding the effects of amplifier bias current and current noise.

The last test, before actually connecting the load cell, is to connect a DJ Instruments model DJ-101ST strain gauge bridge simulator. This instrument is a precision resistor bridge that simulates a strain gauge. Full-scale outputs of 1, 2, 3, 5, 10 and 15mV/V are provided, and for a given range the output can be adjusted from 0% to 120% of full scale in 10% steps. The objective is to emulate all of the properties of a strain gauge *except* measuring strain. This device verifies that Figure 8 maintains 19nV_{RMS} resolution across its entire input range. The LT1461 was selected based on its low drift and high output current—there are more quiet references available, but this test shows that its noise performance is adequate. Applying a full-scale input will determine if the reference voltage is sufficiently quiet—a noisy reference will elevate ADC noise when the input is close to full scale. (The output code of an ADC is V_{IN}/V_{REF} . Thus noise in the output data that is due to reference noise is directly proportional to the input voltage, assuming the reference noise is small compared to V_{REF} .)

The last test is to actually connect a load cell. This circuit will detect 1 gram on a Tedea model 1240 load cell with a 200kg capacity, and it will detect one sheet of copier paper dropped on a stack of 20 reams (10,000 sheets). The importance of testing the circuit with a bridge simulator becomes clear when the air conditioner turns on—a single sheet of paper gets buried in noise. This exposes a very real limitation on high resolution weigh scales; a large tare weight turns the scale into a very sensitive seismograph. Other limitations include mechanical hysteresis, creep and linearity of the load cell.

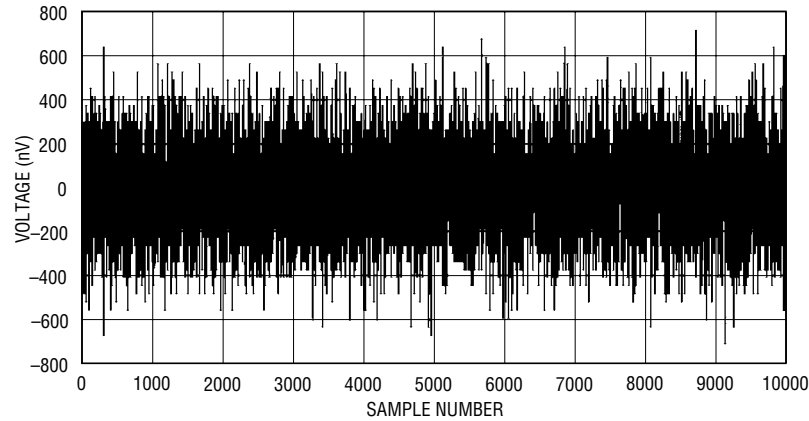
RMS vs Peak-to-Peak Noise

Another topic that often surfaces in high resolution applications is whether to use RMS noise or peak-to-peak noise. Some would eschew RMS noise as useless, asserting that peak-to-peak noise is the true measure of performance. However RMS noise has a distinct advantage—it is standardized and easy to calculate by taking the standard deviation of a set of ADC readings. This is only valid if the output noise is Gaussian, which is the case for all of Linear Technology's delta sigma ADCs.

Consider a high resolution ADC that has 1 μ V_{RMS} input noise and zero offset. With the inputs shorted together, it will produce a distribution of output values, 68.27% of which will be within 1 μ V of zero. Of course this implies that 31.73% of the readings are more than 1 μ V away from zero. It would be nice to know the true “peak-to-peak” noise of an ADC; some bound on the error for any given data point. But electrical noise does not work this way; there is always a nonzero probability that any one reading can have a value very far from the average. Fortunately there is a systematic way to relate the performance requirements of an application to the RMS noise level, but it does require a small dose of realism.

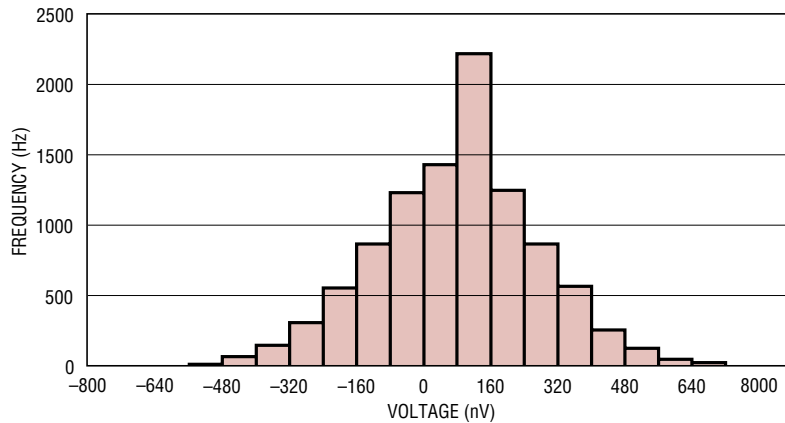
Say a weigh scale application requires 10,000 “counts” of resolution. If the load cell has a 10mV full-scale output, this implies a voltage resolution of 1 μ V. The LTC2440 has 200nV_{RMS} input noise in its highest resolution mode, so it should work. But one common rule says that the ratio of peak-to-peak to RMS (also called crest factor) is 6 for Gaussian noise, so the peak-to-peak noise is 1.2 μ V—greater than the 1 μ V spec. The piece of information missing is the probability that a reading will be outside of the acceptable limit. If the noise at the ADC inputs is Gaussian, then the answer should lie in the normal error integral table found in the back of any statistics textbook.

Figure 12 shows 10,000 readings from an LTC2440 in the lowest noise mode (6.8 samples per second), and Figure 13 is a histogram of these readings that appears Gaussian at first glance.



AN96 F12

Figure 12



AN96 F13

Figure 13

The RMS noise of this particular LTC2440 is 194nV, slightly better than the 200nV typical spec. Table 3 compares the textbook probability that a reading will be within a certain crest factor to the actual measured values.

Table 3

CREST FACTOR	TEXTBOOK PROBABILITY (%)	MEASURED PROBABILITY (%)
2	68.27	70.95
3	86.64	85.12
4	95.45	95.66
5	98.76	98.83
6	99.73	99.76
7	99.95	99.98

This shows that the noise at the input of the LTC2440 is indeed very close to Gaussian. It also shows that only one reading in 100 will be outside of a $\pm 0.5\mu\text{V}$ range. If the display shows 10,000 counts, one would have to stare at

it for almost 15 seconds to see more than one count of noise. If this is acceptable, then assuming a crest factor of 5 is adequate and there is no need for additional signal conditioning. If it is not acceptable, follow the design procedure in the section on increasing resolution with amplifiers.

Psychological Factors

Linear Technology's 20- and 24-bit ADCs have an LSB size that is smaller than the noise voltage (this is typical of any high resolution ADC). As a result, these devices will have a number of bits that do not hold steady for a constant input voltage. It is almost impossible to estimate ADC noise by looking at the binary data output. Looking at a decimal representation of the output data is not much better. In fact, the only way to get an objective opinion on the RMS noise level of a given circuit is to collect a set of data points and take the standard deviation.

Application Note 96

This is a good lead-in to one last hint for designing circuits with Linear Technology's delta sigma ADCs. *Always* provide an easy way to get data points into a PC. Even in a handheld application that will never be attached to a computer in real life, the ability to analyze data will save an incredible amount of troubleshooting time. A convenient way to do this is to send data to the PC's serial port using the circuit shown in Figure 14.

Use a spare I/O pin to send the serial data and write a small test program that only takes data from the ADC and sends it to the PC. If all of the processor's I/O pins are used up, pick one that can be safely used for this purpose in a "test

mode," such as a pin that normally reads the state of a pushbutton. It is not even necessary to use a hardware UART to generate the serial data; a simple "bit-bang" routine at 1200 baud will work just fine. Most compilers provide a printf or sprintf function to format data as ASCII decimal characters. If these are not available, then sending ADC data as eight ASCII hexadecimal characters will work as most spreadsheets provide a "HEX2DEC" function to convert hexadecimal to decimal data. Most operating systems have a terminal program included that is suitable for capturing data to a text file that can then be imported into a spreadsheet.

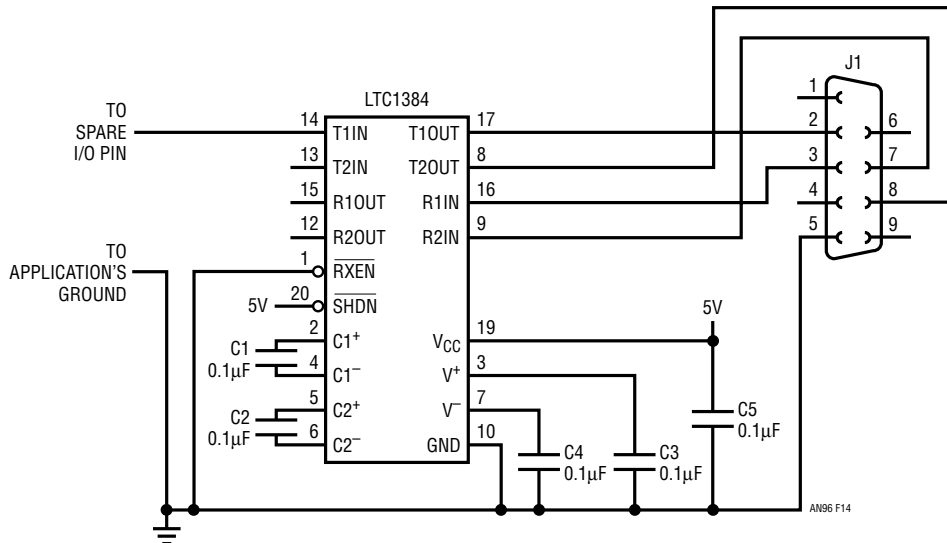


Figure 14. Serial Debug Circuit

Appendix C—Altimeter Code

Altimeter.c

```
/*
Logging Altimeter based on LTC2411
Mark Thoren
Linear Technology Corporation
```

On power-up, program searches for first free memory location in 32KB EEPROM, then starts taking temperature and absolute pressure data at 7.5 samples per second, the data output rate of the LTC2411. Every 15 seconds a temperature / pressure data point is stored to nonvolatile memory.

To read back data for processing, connect to a PC terminal set to 9600 8 N 1 and type "D" for Dump. Capture text to a file and import to your favorite spreadsheet.

To erase data, type "E" for Erase. This zeros memory, necessary because of the data point flag in bit 31. (See data format.)

Data Format: 8 bytes, ms bit = 1, indicating data is present.

Next are 31 data bytes, Then the 16 bit temperature word.

```
*/
```

```
#include <16F73.h>
#include "pcm73a.h"
#include "altimeter.h"
#include "lcd.c"
#include "math.h"
```

```
int1 new_period, old_period; // global flags for detecting new period
```

```
void main()
```

```
{
char i;
```

```
// Voltage from LTC2411 and temperature from FM75 are stored as unions
// allowing byte access to 16 and 32 bit variables.
```

```
union // voltage.bits32 the whole thing
{
signed int32 bits32; // voltage.by.te0 byte 0
struct fourbytes by; // voltage.by.te1 byte 1
} voltage; // voltage.by.te2 byte 2
// voltage.by.te3 byte 3
```

```
union // temperature.bits16 the whole thing
{
signed int16 bits16; // temperature.by.te0 byte 0
struct twobytes by; // temperature.by.te1 byte 1
} temperature;
```

```
float dec_voltage; // Floating point for display purposes only
float dec_temperature;
int deg_c;
unsigned int16 address = 0;
```

an96fa

Application Note 96

```
initialize(); // Set up hardware

lcd_gotoxy(1,1); // Print obligatory hello message
printf(lcd_putc, "hello!"); // First to LCD display
printf("hello serial port!\r\n");// Then to serial port

// Detect next available address
// To avoid overwriting when cycling power
while(address <= 0x7FFF)
{
    if(!(ee_read(address) & 0x80)) break;
    address +=8;
}

// Main loop
while(1)
{
    while(!kbhit()) // If serial data is in, take action
    { // else start collecting data
        output_low(ADC_CS_); // Enable LTC2411 serial interface
        while(input(PIN_C4)) {} // Make sure data is ready
        voltage.by.te3 = spi_read(0x00); // Read data as four bytes
        voltage.by.te2 = spi_read(0x00);
        voltage.by.te1 = spi_read(0x00);
        voltage.by.te0 = spi_read(0x00);
        output_high(ADC_CS_);

        // Subtract offset (result is in 2's complement)
        voltage.bits32 = voltage.bits32 - 0x20000000;
        dec_voltage = (float) voltage.bits32; // cast as float
        dec_voltage = dec_voltage * 2.5 / 268435456.0; // normalize to vref

        i2c_start();// Get temperature data from FM75 sensor
        i2c_write(FM75_ADDR | I2WRITE);
        i2c_write(0x00); i2c_start();
        i2c_write(FM75_ADDR | I2READ);
        temperature.by.te1=i2c_read(1);
        temperature.by.te0 = i2c_read(0);
        i2c_stop();

        // Convert from bits to degrees C
        dec_temperature = ((float) temperature.bits16) / 256.0;

        lcd_gotoxy(1,1);
        printf(lcd_putc, "%f", dec_voltage); // Display sensor voltage
        lcd_gotoxy(1,2);
        printf(lcd_putc, "%3.3f C", dec_temperature);

        // Write data if a new 15 second period has begun
        if(old_period != new_period && address <= 0x7FF0)
        {
```

```

        old_period = new_period;           // Set flag
        LED = new_period;                 // Blink light
        printf("writing address %ld\r\n", address); // Serial port display
        ee_write(address, voltage.by.te3 | 0x80); // Set MS bit as data flag
        ee_write(++address, voltage.by.te2);    // Write voltage data.
        ee_write(++address, voltage.by.te1);
        ee_write(++address, voltage.by.te0);
        ee_write(++address, temperature.by.te1);
        ee_write(++address, temperature.by.te0);
        address+=3;
    } // End of writing data
} // End of detect character

// Detect commands at serial port
printf("got a character\r\n");
switch(getc())
{
    case 'D': printf("Dumping Data\r\n"); dump_data(); break;
    case 'E': printf("Erasing Data\r\n"); erase_data(); address = 0; break;
    default: break;
}
} // End of while loop
} // End of main()

void initialize(void)
{
    output_high(ADC_CS_);
    setup_adc_ports(NO_ANALOGS);
    setup_adc(ADC_CLOCK_DIV_2);
    setup_spi(SPI_MASTER|SPI_L_TO_H|SPI_CLK_DIV_16|SPI_SS_DISABLED);
    CKP = 0; // Set up clock edges - clock idles low, data changes on
    CKE = 1; // falling edges, valid on rising edges.
    setup_counters(RTCC_INTERNAL,RTCC_DIV_2);
    setup_timer_1(T1_INTERNAL|T1_DIV_BY_2); // 16 bit counter overflows every 52.4 ms
    setup_timer_2(T2_DISABLED,0,1);
    setup_ccp1(CCP_OFF);
    setup_ccp2(CCP_OFF);
    enable_interrupts(INT_TIMER1);
    enable_interrupts(global);
    lcd_init();
    delay_ms(6);

    i2c_stop();
    i2c_start();
    i2c_write(FM75_ADDR | I2WRITE);
    i2c_write(0x01); // Configuration register
    i2c_write(0x60); // Set to 12 bit resolution
    i2c_stop();
}

#ifdef INT_TIMER1
TIMER1_isr()
{

```

Application Note 96

```
// 286.25 interrupt periods at 52.4ms each = 15 seconds
static int16 count;
if(++count == 286)
{
    new_period = new_period ^ 0x01; // Toggle new_min
    count = 0;
}
}
```

Altimeter.h

```
#fuses HS,NOWDT, PUT
#use delay(clock=10000000) // 10MHz clock
#use rs232(baud=9600,parity=N,xmit=PIN_C6,rcv=PIN_C7)
#use i2c(master,slow,sda=PIN_A0,scl=PIN_A1)

#define ADC_CS_    PIN_C2
#define LED        = PORTC.0

#define MAX_EE_ADDR 0x7FFC
#define EE_ADDR      0b10100000 // Ground all address pins
#define FM75_ADDR    0b10011110
#define I2READ       0x01
#define I2WRITE      0x00

// Prototypes
void initialize(void);

// Structures to allow byte access to word and long word data
struct fourbytes
{
    //Define structure of four consecutive bytes
    int8 te0;
    int8 te1;
    int8 te2;
    int8 te3;
};

struct twobytes
{
    //Define structure of two consecutive bytes
    int8 te0;
    int8 te1;
};

// Read data from I2C EEPROM
char ee_read(int16 address)
{
    char x;
    i2c_stop();
    i2c_start();
    if(i2c_write(EE_ADDR | I2WRITE)) printf("\r\nNAK DEVICE ADDRESS!!");
    if(i2c_write(address >> 8)) printf("\r\nNAK MSB!!");
    if(i2c_write(address)) printf("\r\nNAK LSB!!");
    i2c_start();
}
```

an96fa


```

if(i2c_write(EA_ADDR | I2READ)) printf("\r\nNAK WRITE COMMAND!!");
x=i2c_read(0);
i2c_stop();
return x;
}

// Write data to I2C EEPROM
void ee_write(int16 address, char data)
{
int8 x;
i2c_stop();
i2c_start();
if(i2c_write(EA_ADDR | I2WRITE)) printf("\r\nNO ACK!!");
if(i2c_write(address >> 8)) printf("\r\nNO ACK!!");
if(i2c_write(address)) printf("\r\nNO ACK!!");
if(i2c_write(data)) printf("\r\nNO ACK!!");
i2c_stop();
do // Make sure data is written
{
i2c_start();
x=i2c_write(EA_ADDR | I2WRITE);
i2c_stop();
} while(x);
}

// Send data to PC
void dump_data()
{
int16 address = 0;
char x = 0x80;

union // voltage.bits32 the whole thing
{
signed int32 bits32; // voltage.by.te0 byte 0
struct fourbytes by; // voltage.by.te1 byte 1
// voltage.by.te2 byte 2
// voltage.by.te3 byte 3
} altdata;

union // voltage.bits32 the whole thing
{
signed int16 bits16; // voltage.by.te0 byte 0
struct twobytes by; // voltage.by.te1 byte 1
// voltage.by.te2 byte 2
// voltage.by.te3 byte 3
} tempdata;

do
{
altdata.by.te3 = x = ee_read(address);
altdata.by.te2 = ee_read(++address);
altdata.by.te1 = ee_read(++address);
altdata.by.te0 = ee_read(++address);
tempdata.by.te1 = ee_read(++address);
tempdata.by.te0 = ee_read(++address);
address +=3;
altdata.by.te3 &= 0x7F; // Clear detect bit (would screw up math)
printf("%ld,%ld\r\n", altdata.bits32, tempdata.bits16);
}
}

```

Application Note 96

```
    }while((x & 0x80) && address <= 0x7FF0);
    printf("done\r\n");
}

// Clear data in I2C EEPROM
void erase_data()
{
    int16 address;
    int i;
    char x;
    for(address=0; address<=0x7FFF; address+=64)
    {
        i2c_start();
        i2c_write(EA_ADDR | I2WRITE);
        i2c_write(address >> 8);
        i2c_write(address);
        for(i=0; i<64; ++i)           // 64 byte burst write
        {
            i2c_write(0);
        }
        i2c_stop();
        do // Make sure data is written
        {
            i2c_start();
            x=i2c_write(EA_ADDR | I2WRITE);
            i2c_stop();
        } while(x);
    }
}
```

Appendix D—Correlated Double Sampling Driver Code

```

/*
This function takes care of switching the bridge excitation, allowing
the amplifiers to settle, programming the LTC2440 oversample ratio,
and reading the LTC2440 output. The return value is the difference between
the present reading and the previous reading. The first time this function
is called the return value will not be valid. EXCITATION, CS, AND MISO refer to
the I/O pins for the bridge excitation switching, LTC2440 chip select,
and the LTC2440 SDO pin, respectively.
*/

int32 double_sample(void)
{
#define SETTLING_TIME    2    // Miliseconds, settling time after switching bridge
#define OSR 0xFF            // Hex code to program the LTC2440 oversample ratio
                            // (0xFF = OSR32768)

    static union{           // These are static because they need to be remembered
        struct fourbytes by; // from one conversion to the next.
        signed int32 bits32;
    } positive;

    static union{
        struct fourbytes by;
        signed int32 bits32;
    } negative;

    union{                  // Doesn't need to be static
        struct fourbytes by;
        signed int32 bits32;
    } voltage;

    static boolean polarity = 0; // 0=negative, 1=positive

    output_low(CS);        // Enable SPI interface
    while(input(MISO)) {} // Wait for SDO to go low indicating end of conversion

    // The following block takes care of switching bridge polarity and loading
    // the proper
    if(polarity==1)
    {
        polarity = 0;
        output_low(EXCITATION); // Switch excitation
        delay_ms(SETTLING_TIME); // Here is the place to insert extra
        // Read out positive result // settling time for amplifiers
        positive.by.te3 = spi_read(OSR); // Program OSR, read first byte
        positive.by.te2 = spi_read(0);
        positive.by.te1 = spi_read(0);
        positive.by.te0 = spi_read(0);
    }
    else
    {

```

Application Note 96

```
polarity = 1;
output_high(EXCITATION);           // Switch excitation
delay_ms(SETTLING_TIME);
// Read out negative result
negative.by.te3 = spi_read(OSR);
negative.by.te2 = spi_read(0);
negative.by.te1 = spi_read(0);
negative.by.te0 = spi_read(0);
}
output_high(CS);

voltage.bits32 = (positive.bits32 - negative.bits32); // Take difference of last
voltage.bits32 = voltage.bits32 >> 1;                // two readings, divide by 2

return voltage.bits32; // Return result
}
```