



AC TRANSIMPEDANCE AMPLIFIER

MODEL 2600A

- Current-to-Voltage
- Full-scale Output $10 V_{ac}$
- Input Ranges 1 A, 5 A
- Loss Measurement Systems
- Current Transformer Calibration
- IEEE-488 Interface
- Accuracy ≤ 20 ppm
- Calibration Period 3 to 5 Years



MODEL 2600A AC TRANSIMPEDANCE AMPLIFIER

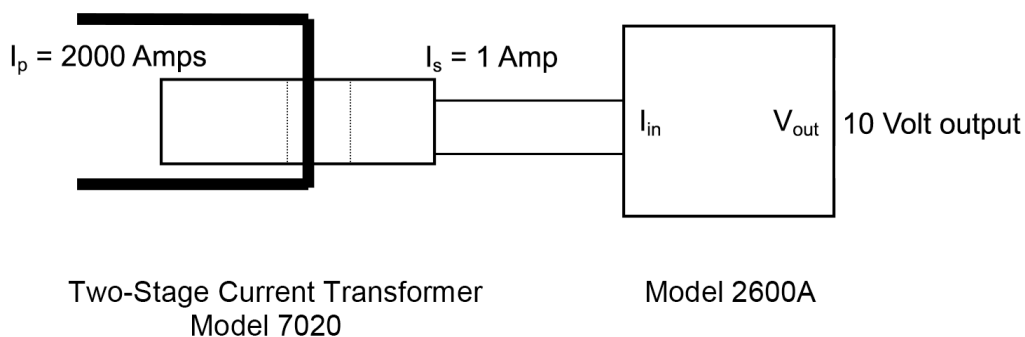
The model 2600A provides ultra-precise ratio division of AC currents. Based on current comparator technology, the 2600A is developed as a means of calibrating optical and non-conventional current transformers.

The 2600A has two input current ranges, 1 A and 5 A with multiple gain stages of 1, 2, 5, 10, 20, 50 & 100 for amplifying low current inputs while maintaining full range accuracy. The current comparator provides a means to automatically correct for magnitude and phase errors without requiring adjustment controls. Full-scale inputs for range 1 A & 5 A on gain 1 is 1 A & 5 A respectively. Full-scale inputs for range 1 A & 5 A on gain 100 is 10 mA & 50 mA respectively. Recommended calibration for the 2600A is 3 to 5 years.

The Transimpedance Amplifier is a current-to-voltage converter consisting of an input current transformer with resistive shunt to obtain a voltage proportional to, and in-phase with the primary current. It provides ultra-precise ratio divisions of AC currents with accuracies to ≤ 20 ppm. The stability and accuracy of the transimpedance are determined by the basic accuracy of the input current transformer and current comparator.

Current extensions to 2000 Amps are available with Measurements International's model 7020 Precision Current Transformer.

Block Diagram Including 7020 Extender





MODEL 2600A AC TRANSIMPEDANCE AMPLIFIER

Specifications: Rev 3

Input Current	5 Amps Maximum
Gain Setting	1, 2, 5, 10, 20, 50, 100
Primary Output	Maximum Output Voltage: 10 V _{ac} RMS
Division Ratio Accuracy*	In Phase ± 20 ppm, Quadrature ± 20 ppm
Frequency Range	40 Hz to 1000 Hz
Input Terminals	BNC
Output Terminals	5-way Binding Posts
Rack Mounting	Standard 483 mm (19 in)
Operating Environment	18 to 34 °C, 10 to 80 % RH
Warranty	1 Year Parts & Labour

* At 50 or 60 Hz

How to Order

1. Model 2600A – Transimpedance Amplifier

Accessories

1. 7020H Current Transformer

Dimensions (L × W × H):

221 × 435 × 365 (mm)

Weight:

15 kg

Shipping Weight:

20 kg

Main Power:

100, 120, 220, 240 V – 50/60 Hz

Corporate Headquarters

Measurements International
 PO Box 2359, 118 Commerce Drive
 Prescott, Ontario, Canada K0E 1T0

Phone: 613-925-5934
 Fax: 613-925-1195
 Email: sales@mintl.com
 Toll Free: 1-800-324-4988

Worldwide Offices

MI-USA
 Phone: 407-706-0328
 Email: sales@mintl.com

MI-China
 Phone: +(86) 10-64459890
 Email: sales@mintl.com

MI-Europe

Phone: +(420) 731-440-663
 Email: sales@mintl.com

MI-Japan

Phone: +(81) 72 39 64 660
 Email: kaz@mijpn.com

MI-India

Phone: +(91) 98 10 134 932
 Email: sales@MILLP.co.in



www.mintl.com