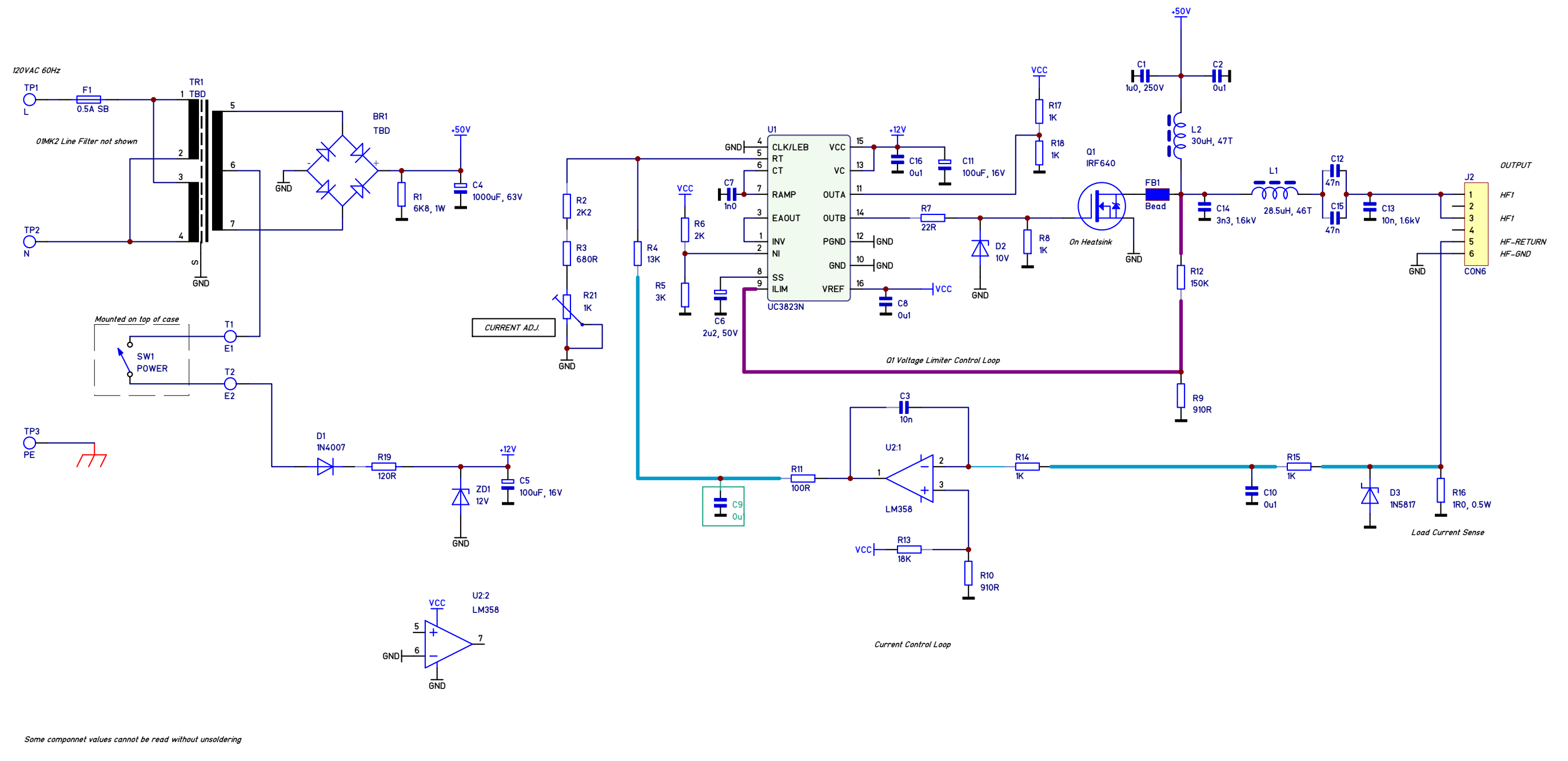


MAIN WIRING BOARD A1



Mounted on top of case
SW1 POWER

CURRENT ADJ.

Q1 Voltage Limiter Control Loop

Current Control Loop

Load Current Sense

Some componnet values cannot be read without unsoldering

Unless otherwise specified, all values are as follows:
resistor values are in Ohms, i.e. 0R47, 5R6, 220, 5K6, 22K
capacitor values are in Microfarads, i.e. 220p, 0u1, 2u2, 33
inductor values are in Microhenries, i.e. 0u22, 5u6, 68, 2m2

This drawing is our property. Duplication, unauthorized use of any kind is prohibited.
Without Approval use only for inquiry.

Approval:

Preliminary Schematic

PCB Name: *Main Board*
PCB Nr.: *7022-0000 REVD*
PCB Type: *FR4 2L ILL 2SM 15mm* Scale: *SCH*

Title *SP200 Solder Station*

Used in *SP-PW1-10* Repl.for *n/a* Build No. *n/a*

	Date	Name	Change Index	Change Notification Nr.	Date	Name
Drawn	17-Oct-2013 05:49:51	GJO				
Modified						
Checked						

Drw. Type: *PCB SCHEMATIC* Prj. Nr. *13028G*

Size: **B** Rev: **2** Drw. Nr. *13028-STPS-E01*

Prototype Production BOM Done?

File: *SP200.sch* Sheet *1* of *1*