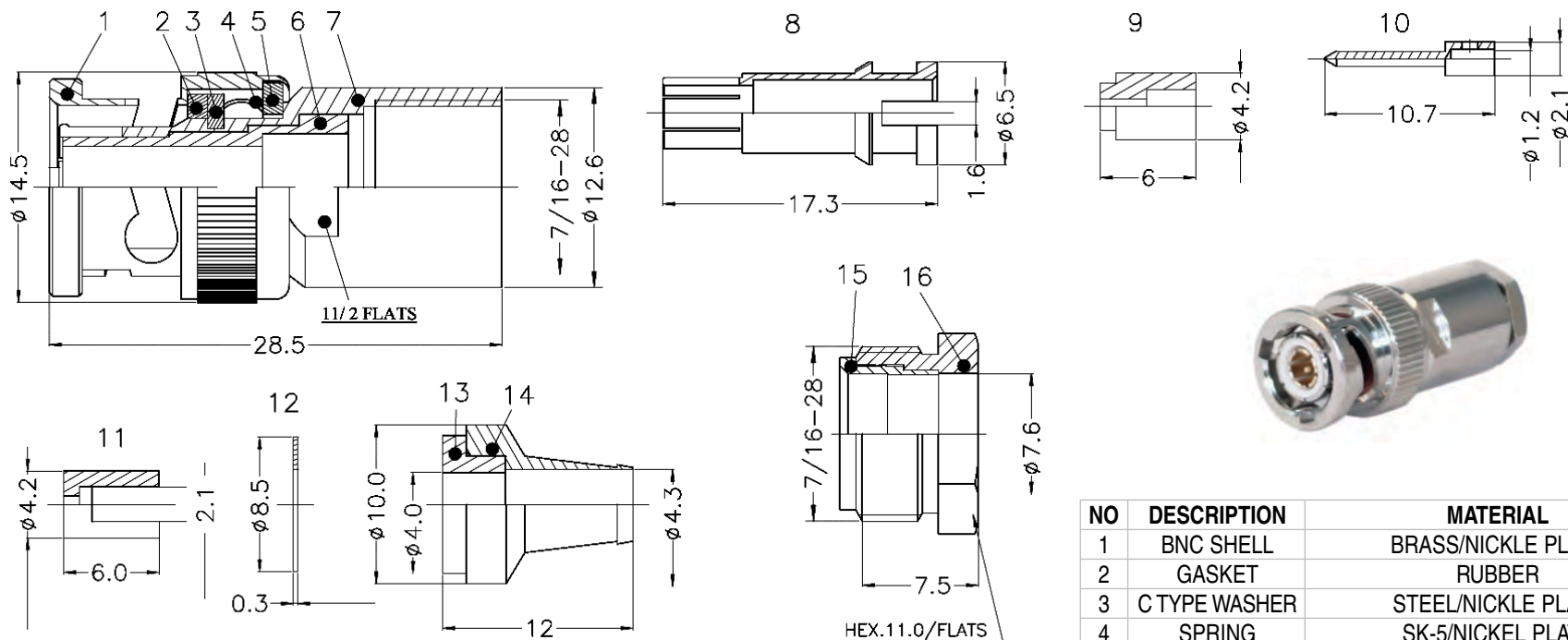


PART NUMBER	CABLE
10-06030-210	30-02001, TWC-78-2, 9272
10-06030-231	30-02003, TWC-78-1
10-06030-206	M17/176-00002
10-06030-24G	30-02002, TWAC-78-1F2



NO	DESCRIPTION	MATERIAL
1	BNC SHELL	BRASS/NICKLE PLATE
2	GASKET	RUBBER
3	C TYPE WASHER	STEEL/NICKLE PLATE
4	SPRING	SK-5/NICKEL PLATE
5	WASHER	STEEL/NICKLE PLATE
6	INSULATOR	TEFLON
7	BODY	BRASS/NICKEL PLATE
8	CONTACT	PHOSPHOR BRONZE/GOLD PLATE 30 $\mu$ g
9	INSULATOR	TEFLON
10	CONTACT	BRASS/GOLD PLATE 30 $\mu$ g
11	INSULATOR	TEFLON
12	WASHER	PVC
13	INSULATOR	TEFLON
14	HAT	BRASS/NICKEL PLATE
15	CLAMP	BRASS/NICKEL PLATE
16	NUT	BRASS/NICKEL PLATE

UNLESS OTHERWISE  
SPECIFIED TOLERANCES:  
0.5-5 =  $\pm 0.2$   
5-30 =  $\pm 0.4$   
30-120 =  $\pm 0.6$   
120-315 =  $\pm 1$

**Milestek**<sup>®</sup> MilesTek Corporation  
1506 Interstate 35 West  
Denton, Tx 76207

Telephone: 940.484.9400 • Toll Free: 866.524.1553  
Fax: 940.591.7086 • Web: www.milestek1553.com

<b>PART NUMBER:</b> 10-06030-XXX	<b>CAGE CODE:</b> 4Z977	<b>APPROVED</b>	MARK HEARN
<b>TITLE:</b> TRB SOLDER/CLAMP CABLE PLUG		<b>CHECKED</b>	ROBERT PEREZ
<b>UNIT:</b> mm	<b>DATE:</b> 06/21/2005	<b>REV:</b>	<b>SHEET:</b> 1/1
		<b>ISO 9001: 2000 CERTIFIED</b>	