



QUICK INSTRUCTION MANUAL

TP620

Digital Portable Radio



<http://www.kirisun.com>

Quick Instruction Manual
TP620
Digital Portable Radio

We are very grateful for your purchasing KIRISUN brand two-way radios produced by Kirisun Communications Co., Ltd.

We believe KIRISUN two-way radio, which always incorporates the latest technology, can bring great convenience to your life and work.

We also believe that the quality and function of KIRISUN two-way radio can meet your demands for reliable communication.

Contents

1 Safety	2
2 General Description	3
2.1 Unpacking and Checking	3
2.2 Product Overview	4
2.3 Preparing your product for use	5
2.4 Installing/Uninstalling the Battery	7
3 Basic Operation	8
4 Making/Receiving a Call	10
5 Other Functions	11
6 Troubleshooting	12



DECLARATION
OF CONFORMITY

CE0700!

We, Kirisun Communications Co.,Ltd.
3-6Firs,ROBETA Building, No. 1, QiMin Road, Song Ping
Shan Area, Science & Industry Park,Nanshan District
Shenzhen 518057 P.R.China

Declare on our sole responsibility that this equipment complies with the Directive 1999/5/EC of European Parliament and the Council on radio equipment and the telecommunications terminal equipment , and that any applicable Essential Test Suites measurement have been performed.

Description of equipment: DMR Portable

Model No.: Kirisun/TP620

This compliances is based on conformity with the following harmonised standards or documents:

- | | | |
|---|--------------------------|----------------|
| (1) ETSI EN300 086-1 V1.4.1 | ETSI EN300 086-2 V1.3.1 | |
| (2) ETSI EN301 489-1 V1.9.2 | ETSI EN301 489-5 V1.3.1 | |
| (3) EN 60950-1:2006+A11:2009+A1:2010+A12:2011 | | |
| (4) EN 50360:2001/A1:2012 | EN62311:2008 | |
| EN62209-2:2010 | EN 50566:2013 | EN62209-1:2006 |
| (5) ETSI EN300 113-1 V1.7.1 | ETSI EN 300 113-2 V1.5.1 | |
| (6) EN 50332-1:2000 | | |

Shenzhen, 30 Sep 2014

Place and date of issue

WenLiang, Fu
General Manager

Signature

Kirisun Communications Co.,Ltd.

FCC

We, Kirisun Communications Co.,Ltd is located at 5-6Flrs, ROBETA Building, No.1, QiMin Road, Song Ping Shan Area, Science&Industry Park, Nanshan District Shenzhen 518057 P.R. China.

Declare on our sole responsibility that this equipment complies with the FCC Part15 rules.

These limits are designed to provide reasonable protection against harmful interference in a residential installation. This equipment generates and can radiate radio frequency energy and, if not installed and used in accordance with the instructions, may cause harmful interference to radio communications. However, there is no guarantee that interference will not occur in a particular installation. If this equipment does cause harmful interference to radio or television reception, which can be determined by turning the equipment off and on, the user is encouraged to try to correct. The interference by one or more of the following measures:

- Reorient or relocate the receiving antenna. Increase the separation between the equipment and receiver.
- Connect the equipment into an outlet on a circuit different from that to which the receiver is connected.
- Consult the dealer or an experienced radio/TV technician for help. Operation is subject to the following two conditions:

- 1.This device may not cause harmful interference, and
2. This device must accept any interference received, including interference that may cause undesired operation.

Note:” Changes or modifications to this unit not expressly approved by the party responsible for compliance could void the user’s authority to operate the equipment.”

1 Safety

Before using this radio, read this operating instruction carefully for safe and convenient usage.

This product can only be maintained by the professional technicians. Do not disassemble the radio by yourself. To avoid of the problems caused by electromagnetic interference or electromagnetic compatibility, turn off the radio in any facilities where posted notices instruct you to do so, such as hospital and other health care facilities. And when on board an aircraft, turn off the radio if instructed to do so too. In the vehicle with an air bag, do not place the radio in the area over an air bag or in the air bag deployment area. Turn off the radio before entering any area with a potentially explosive atmosphere or blasting caps.

Do not operate the radio, disassemble or charge the battery in the potentially flammable and explosive atmosphere (such as gas station, coal gas station, etc.).

Don't charge the battery near or close to flammable materials such as curtains, clothes and carpets.

Do not place the radio under the direct sunlight or near the area with heating devices.

Do not place the radio in the area with great dust, moisture or drips, or on the unstable surface.

Contact us or your local dealer for help if you want to redevelop or modify the radio.

Do not use any portable radio that has a damaged antenna. If a damaged antenna comes into contact with your skin, a minor burn can result.

Make sure the antenna is correctly installed when using. The radio without antenna may cause damage in the process of transmission.

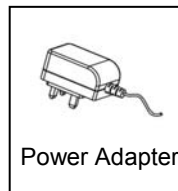
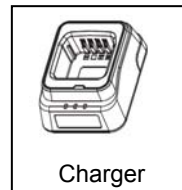
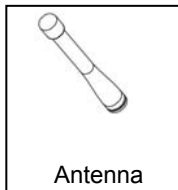
2 General Description

2.1 Unpacking and Checking

Standard Accessories

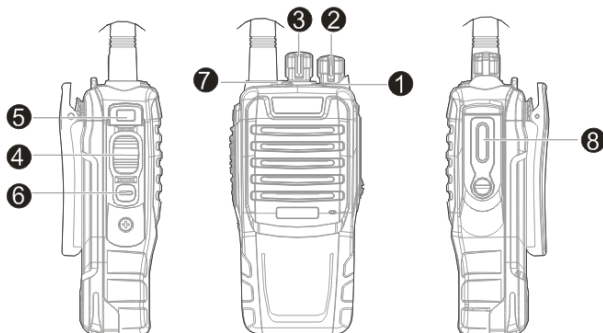
Please unpack carefully and check all the items listed in the following table before discarding the packing material. If any damage or loss occurs during shipment, please contact your dealer.

Item	Quantity
Antenna	1
Belt Clip	1
Charger	1
Battery	1
Hand Strap	1
Power Adapter	1
Instruction Manual	1



2.2 Product Overview

Identification of Buttons



No.	Part Name
1	LED Indicator
2	Power/Volume Switch
3	Channel Knob
4	PTT Button
5	Side Button1
6	Side Button2
7	Top Button
8	External speaker / microphone interface

Programmable Buttons

Authorized Dealer can program the programmable buttons as shortcuts to various radio features (Feature List on Page 10.).Each button can be programmed for two features and can be activated through Long Press or Short Press.

Note:

Short Press – Press and release quickly

Long Press – Press and hold for the programmed duration

LED Status Indicator

The LED indicator shows the operational status of your radio.

Solid red – Radio is transmitting

Solid green– Radio is powering up or receiving a non-privacy-enabled call or data, or detecting activity over the air.

Blinking orange–Radio is during scanning.

2.3 Preparing your product for use

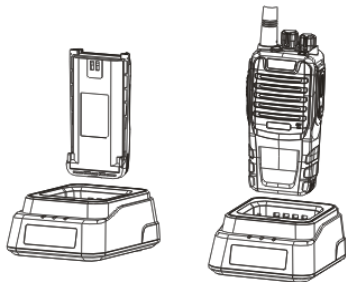
Charging the Battery

Please refer to the following steps to charge your battery.

Plug the adaptor in the rear power jack of the intelligent charger, and plug the adaptor into the suitable AC socket. The three LED lights will flash for about one second and turn green when everything is properly set.

Put the battery or the radio with battery into the charger, and please turn off the radio before charging.

Make sure the battery is properly attached to the charger. The charging begins when the red light is on. The red light is off when the battery is fully charged, and then the green light is on, indicating the charging is completed.



Note:

The yellow light flashing indicates abnormality in charging temperature or in the circuit, and the charger will then enter the state of protection. During this state, do not impose charging anymore and take out the battery before unplugging the charger. Please use the charger and battery provided by Kirisun only.

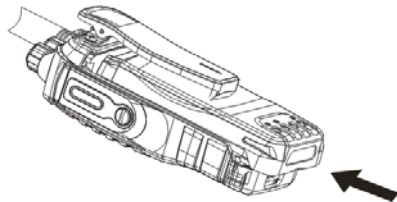
Charging LED Indicator

LED	Charging Status
Yellow light flashes	Abnormality in charging temperature or in the circuit.
The red LED lights	The battery is in charging.
The green LED lights	The battery is fully charged or standby(no load)

2.4 Installing/Uninstalling the Battery

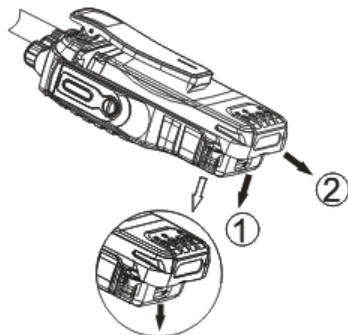
Installing the Battery

Press the top of the belt clip, and align the battery with the slots on the back of the radio. Press the battery firmly, and slide upward until the latch snaps into place.



Uninstalling the Battery

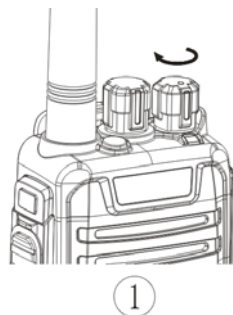
For detaching the battery, push downward the battery latch ① at the radio bottom and then push the battery ② in the direction of the arrow shown in the picture until the battery is completely detached from the radio.



3 Basic Operation

Powering on/off

Turn the power/volume knob clockwise for powering on. If the dealer set an alert tone, the radio will make a beep. Turn the power/volume knob counterclockwise for powering off.(Refer to figure①)



Adjusting the Volume

To increase the volume, turn the Volume Knob clockwise. To decrease the volume, turn this knob counterclockwise.(Refer to figure②)



Selecting a Channel

Usually just switch the channel knob to the desired channel. The white line of channel knob can point directly to the channel number which is printed from 1 to 16 around the channel selector.

If any channel is programmed in another zone which is not default in your radio, you need select a zone first, and then select the desired channel. (Refer to figure ③)



Selecting a Zone

A zone is a group of channels. Your radio supports up to a maximum 2 zones with every zone supporting up to a maximum of 16 channels.

Procedure:

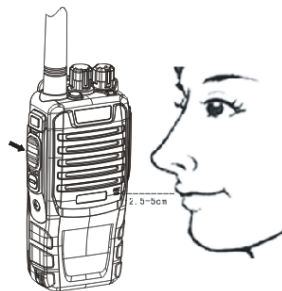
- 1) Press the programmed zone button
- 2) A long alert tone indicates the radio switched from zone 1 to zone 2. A short alert tone indicates the radio switched from zone 2 to zone 1.

Push-To-Talk (PTT) Button

The PTT button is located at the radio left side (Press and hold to talk, release to listen)

Talk In Right Posture

Hold the radio vertically, press and hold the PTT button, wait for half a second, then talk to the Microphone ("MIC" marked in the front cover) at a distance which is around 1 to 2 inches (2.5-5.0 cm) from your mouth. Release PTT to listen the coming call.



4 Making/Receiving a Call

Making a Call

Hold down the PTT button to make a call to the default radio which has been programmed for current channel. The radio can be programmed to make a private call, group call or all call through programming software. For more details, please contact your local dealer.

Receiving and Answering a Call

When receiving a call, the green LED lights on, you can hear the talking. After receiving, you can press and hold the PTT button to reply this call within call hang time. Otherwise, you can only talk to the default radio through PTT button.

5 Other Functions

Beside making a call and receiving a call, the radio also supports many other functions. These functions need to be programmed before using. You can contact your local dealer to use these functions.

Functions	Application
Send a Message	Send a quick message to other radios by one touch button
Radio Enable	Allow stolen/lost radios to be enabled over the air.
Radio Disable	Allow stolen/lost radios to be disabled over the air.
Radio Check	TP620 radio can be detected whether it is active by system or DMR Radio like TP660 or DP770 from Kirisun.
Call Alert	Enable a user to page another and request a return call when convenient.
Remote Monitor	Enable supervisor radios to listen to remote radios to maximize employee safety and instantly assess situation.
Digital Encryption	Enhance communication security.
Emergency	Enable to make an emergency call to control center or others for help in emergency.
Scan	Ensure most of the relevant calls can be heard.
DTMF Function	DTMF function can allow users to send a PTT ID or realize kinds of calls in Analog mode.

6 Troubleshooting

No.	Problem	Causes and Solutions
1	Powered-on Failure	<p>a). The battery may run out. Please recharge or change the battery and try again.</p> <p>b). Poor contact between battery and radio unit. Please re-install battery and try again.</p> <p>c). Or contact your local dealer.</p>
2	Communication Failure	<p>a).The frequency settings may be different from other members. Please set your TX/RX frequencies to match with others.</p> <p>b).The CTCSS/CDCSS signaling may be different from other members. Set your CTCSS/CDCSS signaling to match with others.</p> <p>c). Beyond the radio's coverage area. Your location may be too far from the others.</p>

3	Receiving Failure	a). The antenna may get loose or may be installed improperly. Please re-install the antenna. b). The frequency settings may be different from other members. Please set your TX/RX frequencies to match with others. c). Beyond the radio's coverage area. Your location may be too far from the others.
4	The LED lights up solid green without any voice received	a). The volume level may be too low, please increase the volume level and try again. b). The speaker may be broken, please contact your local dealer.
5	Programming Failure	a). Programming cable is improper connection. Please check and try again. b). Maybe the radio is powered off. Please power on your radio. c). USB driver is installed improperly. Please install a USB driver and try again. d). Or contact your local dealer
Please contact your local dealer for assistance when you need any help.		



Kirisun Communications Co.,Ltd.
<http://www.kirisun.com>