

125 MHz Pulse Generators
PM 5785 PM 5786

Operator's Manual

Bedienungsanleitung

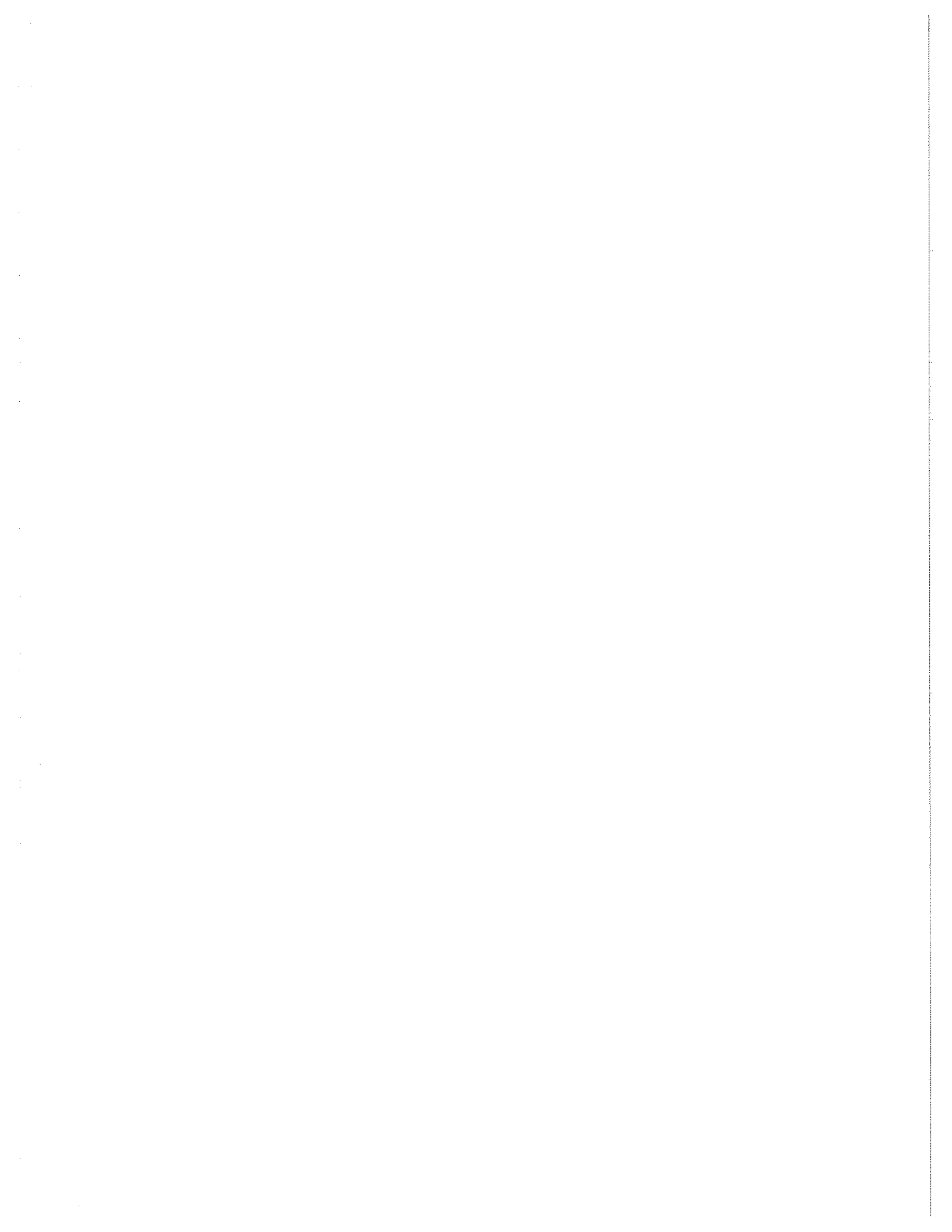
Manuel de l'opérateur

PHILIPS



125 MHz Pulse Generators
PM 5785 PM 5786

Operators' Manual



CONTENTS

Section 1 - INTRODUCTION 1-2

Section 2 - INSTALLATION

Caution 2-2

Safety precautions 2-2

If in doubt about safety 2-2

Grounding 2-2

Opening the cabinet 2-2

Mains voltage settings 2-2

The fuse 2-3

Orientation and cooling 2-3

Section 3 - DESCRIPTION OF CONTROLS 3-2

Timing parameters 3-3

External input 3-3

Input mode selectors 3-4

Clock output 3-4

Pulse form selectors 3-5

Outputs and their controls 3-5

BASIC CONTROL SETTINGS 3-6

WHAT WENT WRONG? 3-7

Section 4 - DESCRIPTION OF FUNCTIONS 4-2

Block diagram 4-7

Pulse definitions 4-7

Section 5 - PERFORMANCE CHECK

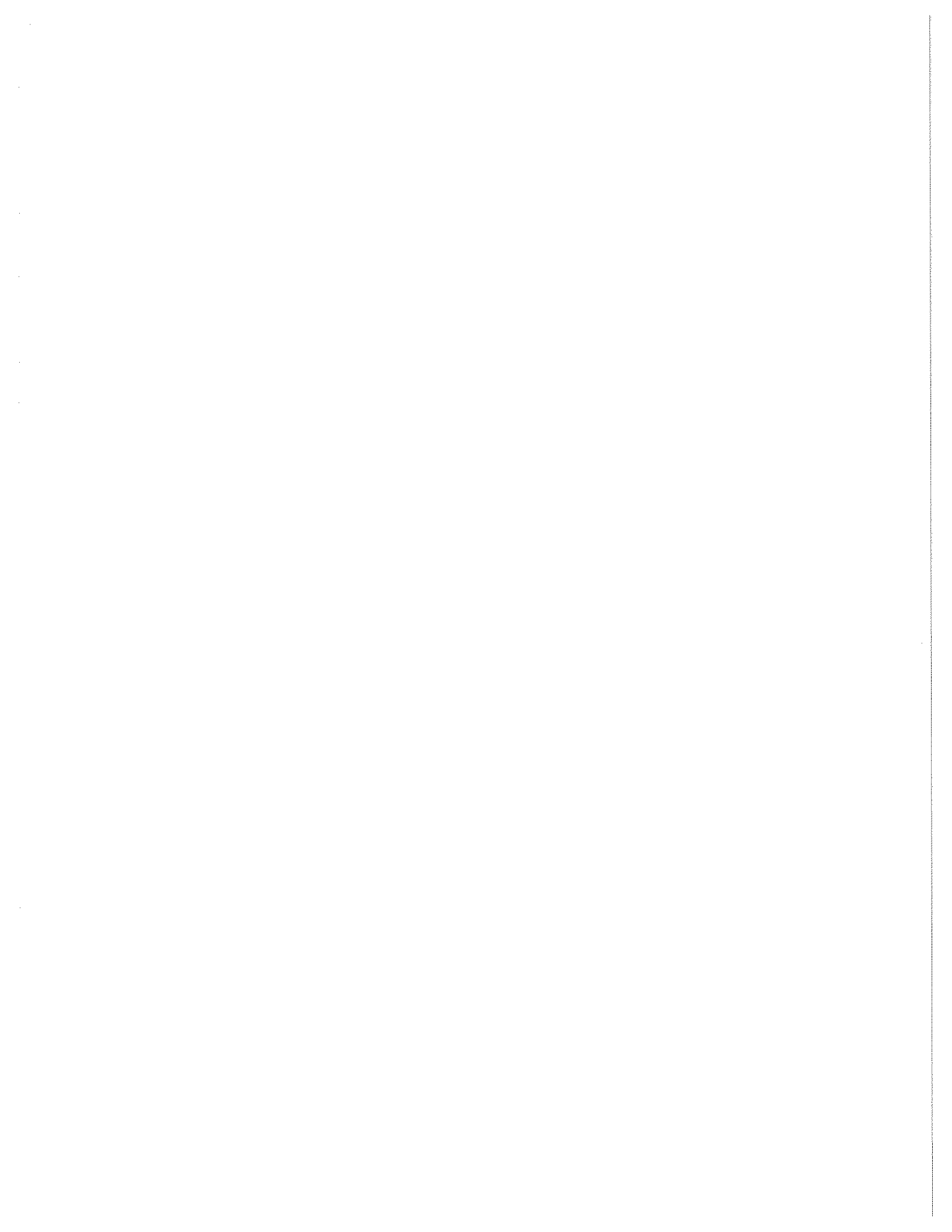
INTRODUCTION 5-2

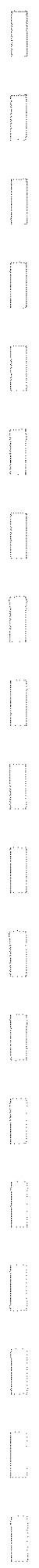
Recommended test equipment 5-2

SPECIFICATION TESTS 5-2

Section 6 - SPECIFICATIONS 6-2

ACCESSORIES 6-5





INTRODUCTION

Section 1

INTRODUCTION

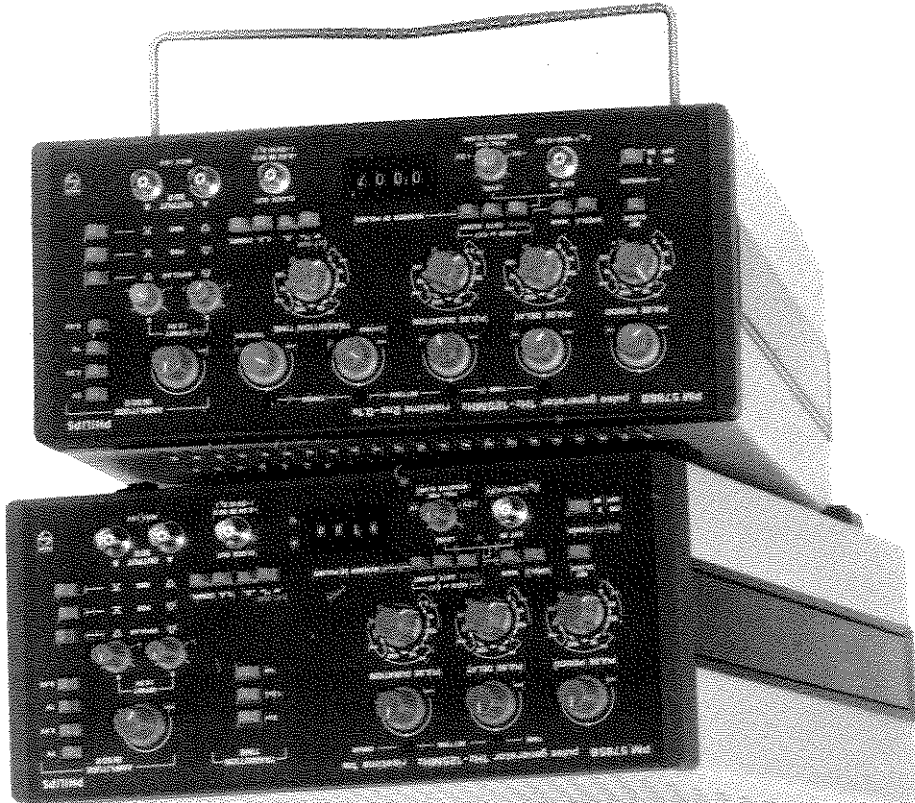
These Philips dual-output pulse generators satisfy the general-purpose high-speed requirements for both linear and digital applications. The PM 5785/85B units, with a performance of 125 MHz/1 ns (into 50 Ohms), feature extremely fast output waveform rise and fall transition times that can be adjusted in three steps. A feature of the PM 5786/86B units, with their performance of 125 MHz/2 ns (into 50 Ohms), is that both rise and fall transition times can be adjusted independently. Versatility is provided by the wide choice of external triggering and gating of the generators, various output modes of operation and for the "B" versions a push-button settable burst waveform facility.

The layout of the front-panel, which facilitates easy operation, is further enhanced by LED indicators that highlight time-setting errors.

The pulse generators feature high-speed, high-fidelity performance; ideal for all high-speed TTL and ECL circuit testing. The 20-80% transition times for ECL testing are selectable on the PM 5785 units down to 0.7 ns and variable on the PM 5786 units down to 1.4 ns.

Clean, high-speed pulses

These indicators help to avoid erroneous output waveforms due to incorrectly interrelated settings of the pulse delay, pulse duration and for the PM 5786 units, the rise and fall time controls.



External gating

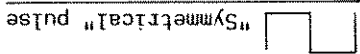
The external gate mode is a generator output "ON/OFF" control. When the external gate signal is present, the output waveforms are available with the pre-set pulse parameters.

Burst

The "B" versions allow the generation of output waveform bursts containing pre-settable numbers of pulses: 0...9999. These bursts can be initiated either manually, or by an external input signal.

External duration

The "external duration" mode allows the generators to function as input signal conditioners. Pulse period and duration are defined by external input signals whereas amplitude, DC-offset, leading and trailing edge transition times and the normal/complementary modes are defined by the pulse generator settings.



This mode of operation produces waveforms with a constant 0.5 duty factor and therefore facilitates the use of the units as clock pulse generators or as a quick method of determining the output waveform repetition rates.

LED indicators highlight timing errors

Setting-up errors occur because, for example, pulse period can be set to less than the sum of the other selected pulse timing parameters. Time-setting-error LEDs indicate which timing parameter settings are excessively long with regard to pulse period.

Dual outputs

Selection of the outputs provides simultaneous positive- and negative-going waveforms often required for bipolar and linear applications, as well as complementary positive or negative waveforms for digital applications. The waveforms at the output sockets A and B are synchronous and are of the same amplitude, however the DC offset controls can be used to individually offset each output by ± 2.5 V (into 50 Ohms).

Output flexibility

The choice of bipolar, positive or negative complementary waveforms offers an easy method of selecting the required output. This eliminates the need for "knob-twiddling" with inverting amplifiers and offset controls. Further, the COMPL (normal/complementary) switch allows the logic levels at the output sockets A and B to be interchanged without affecting their polarity.

External input

The external input facility allows external control signals to be used for triggering, gating, initiating an output waveform burst and "external duration". Such control signals can define the start (and with EX1 DUR selected, the duration) of the output waveforms by the selection of +/- edge triggering and the adjustment of the -5 V...+3 V trigger level control. Triggering is indicated by a flashing LED.

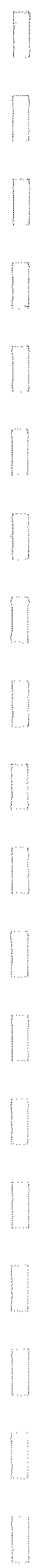
All functions available through the use of the external input can be carried out manually from the front panel.

External triggering

External triggering allows the generators to operate in synchronism with other clock input signals. All other parameters, such as pulse duration, pulse delay, etc, are set on the pulse generators themselves. The acceptable external trigger signal frequency range is DC...125 MHz or, in the double pulse mode, DC...62.5 MHz.

INSTALLATION

Section 2



Caution

Read this section carefully before installation and operation of these pulse generators.

This equipment is designed to be used by trained personnel only. Repair, maintenance and adjustment of exposed components must be carried out by qualified personnel who are aware of the hazards involved.

Safety precautions

To ensure the correct and safe operation of these pulse generators, it is essential that operators and service technicians follow generally accepted safety procedures in addition to the safety precautions specified in this manual.

If safety is in doubt

Whenever you suspect that it is unsafe to use the instrument, you must make it inoperative, clearly mark it to prevent its further operation and inform the Philips servicing department.

NOTE: All components on the primary side of the mains transformer are CSA approved and should only be replaced by original set-vice parts.

Grounding

The pulse generators are connected to ground via sealed three-core mains cables that must be connected to earthed socket outlets. Further, before the equipment is connected to the mains, the correct operation of the protective earth in the socket outlet must be checked. No other method of grounding is permitted. If a pulse generator is transferred from a cold to a warm environment, condensation may be hazardous, ensure therefore that the grounding requirements are strictly met.

Any grounding faults, inside or outside the equipment, are potentially dangerous. Mains extension cables must always include an earthed conductor.

Opening the cabinet

The pulse generators must be disconnected from any electrical supply before any cover is removed. If adjustment to or maintenance of the generators is required with the covers removed, then this must only be carried out by qualified personnel. Bear in mind that capacitors can still be charged, even though the generators may be disconnected from the mains.

NOTE: Opening the cabinet or the removal of components, except those to which access can be gained externally, is likely to expose live parts and exposed terminals that can endanger life.

Mains voltage settings

Ensure that the correct voltage setting is selected on the pulse generators before a connection to the mains is made. On delivery, a generator may be set to either 100 V, 120 V or 240 V, as indicated by the mains voltage selector, located behind a cover on the rear panel, see Fig. 2.1.

To adjust the voltage setting, proceed as follows:
- Disconnect the mains cable from the pulse generator.
- Release the voltage selector cover with a screwdriver, see Fig. 2.1.

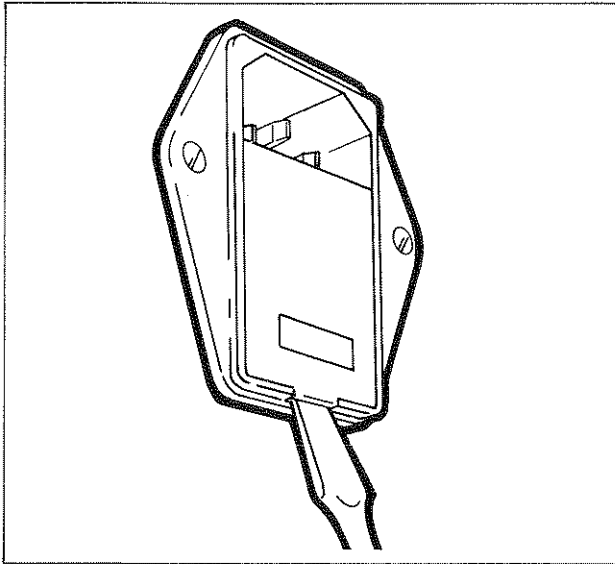


Fig. 2.1 The voltage selector cover being released with a screwdriver.

- Take out the voltage indicator camshaft, see Fig. 2.2.

- Reposition the camshaft to reveal the required voltage setting.
- Read the section on "THE FUSE" to ascertain the recommended fuse rating.
- Exchange the fuse if necessary.
- Refit the voltage selector cover.

The fuse

Each pulse generator is protected by a fuse located in the voltage selector unit on the rear panel, see Fig. 2.1.

The fuseholder, as shown in Fig. 2.2, is located in the slide on the right-hand side inside the voltage selector. On delivery, the instruments are fitted with fuseholders suitable for European 5 x 20 mm fuses. Special fuseholders are required for U.S.A. spec. fuses.

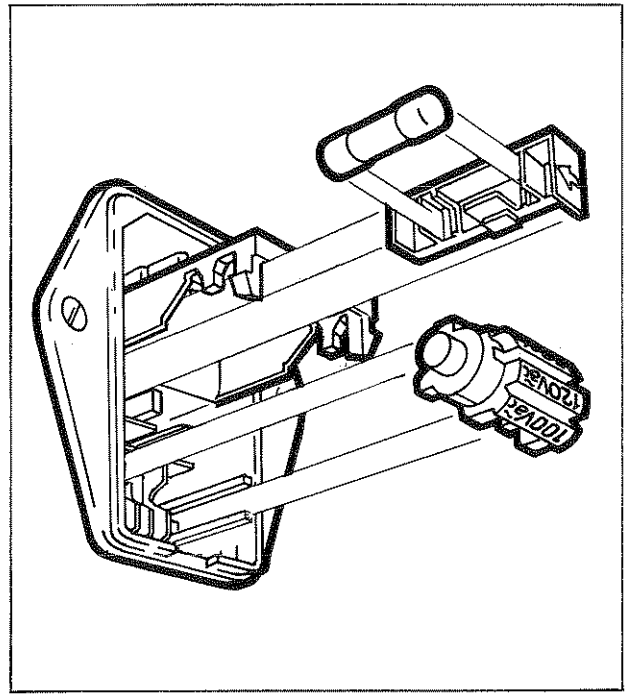


Fig. 2.2 The fuse and voltage indicator locations in the voltage selector unit.

Please note that a fuse of a different rating may be required if the voltage setting is altered. For 220 V and 240 V use a 0.8 A delayed action fuse. For 100 V and 120 V use a 1.6 A delayed action fuse. Ensure that only fuses of the specified type are used.

To change a fuse:

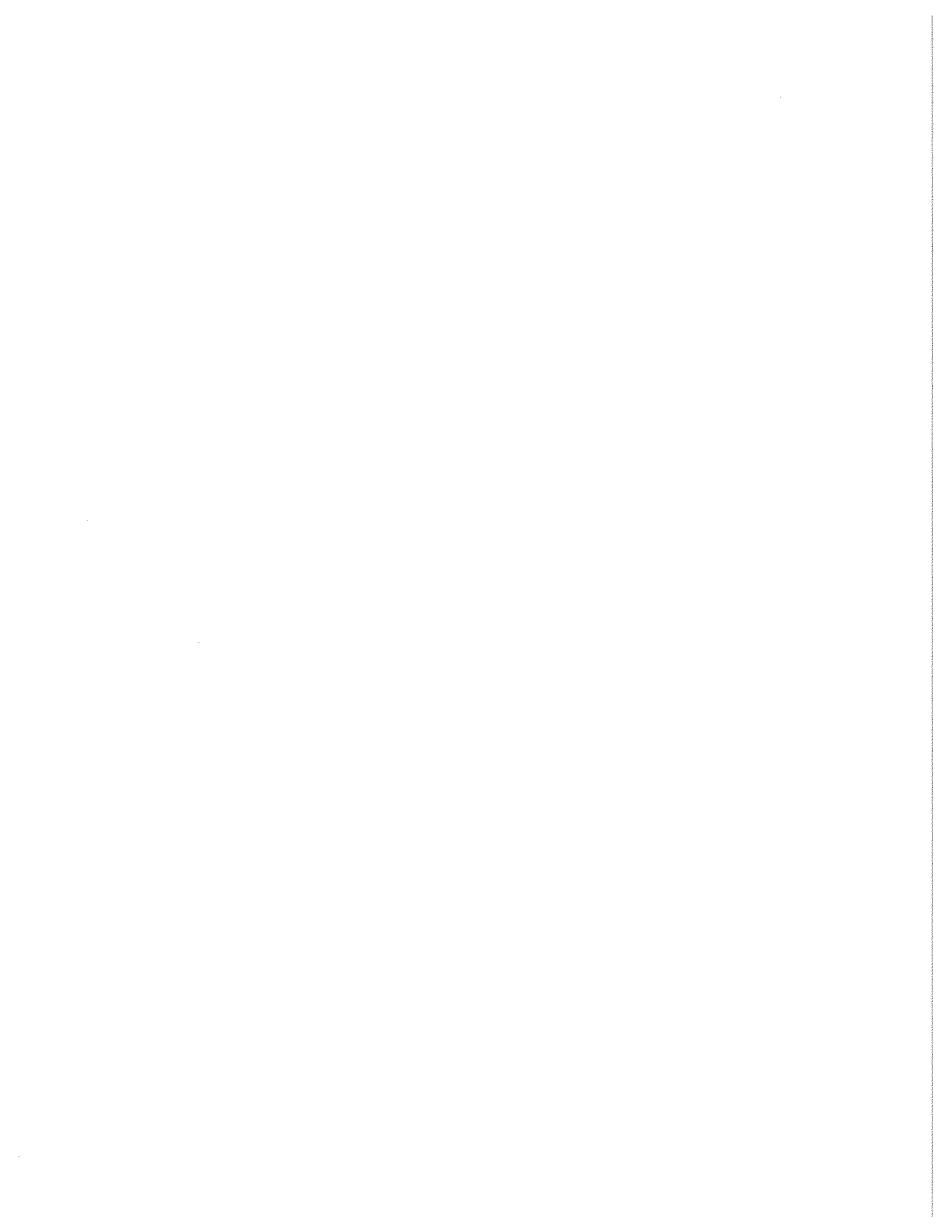
- Disconnect the mains cable from the pulse generator.
- Release the voltage selector cover with a screwdriver.
- Select the correct fuse with reference to the table below.

| Service code | Fuse type |
|----------------|--|
| 4822 253 30019 | For 220/240 V operation 0.8 A "slow-blow" |
| 4822 253 30024 | For 100/120 V operation 1.6 A "slow-blow" |

- Refit the voltage selector cover.

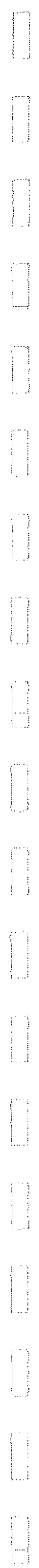
Orientation and cooling

The pulse generators are designed to be naturally air cooled for normal table-top use. Forced air cooling is recommended if the instruments are required to be operated in other orientations. Make sure that air is free to flow through the ventilation holes in the top and bottom of the instrument; a fold-down support attached to the bottom panel is available for this purpose.

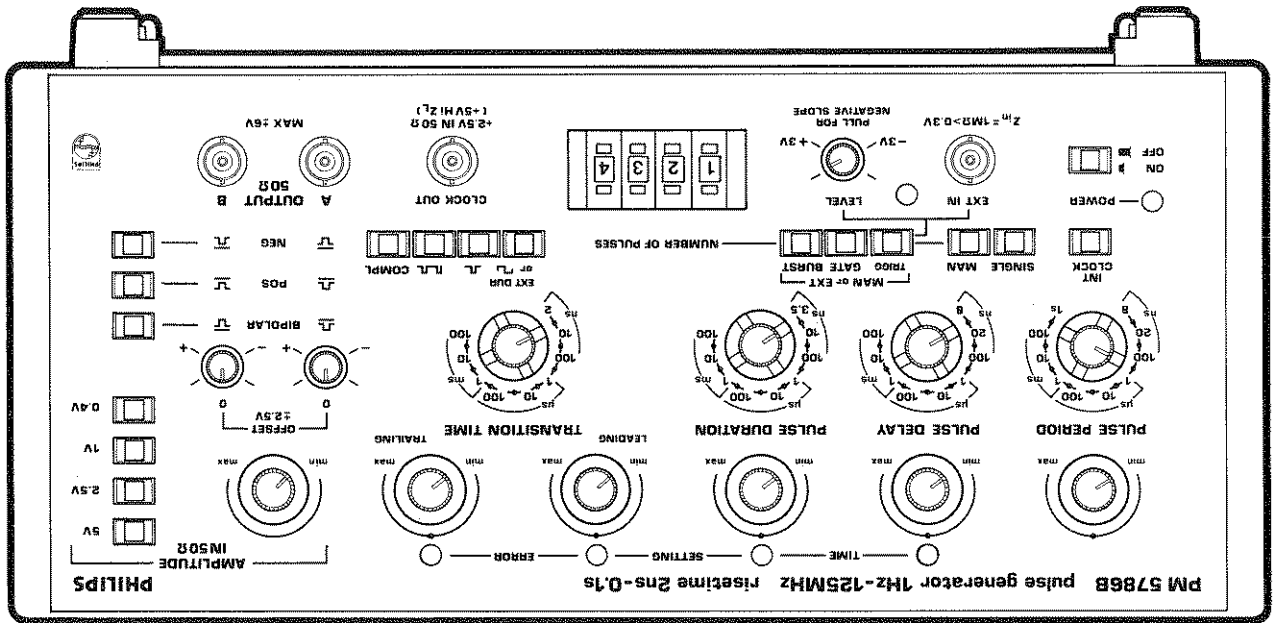
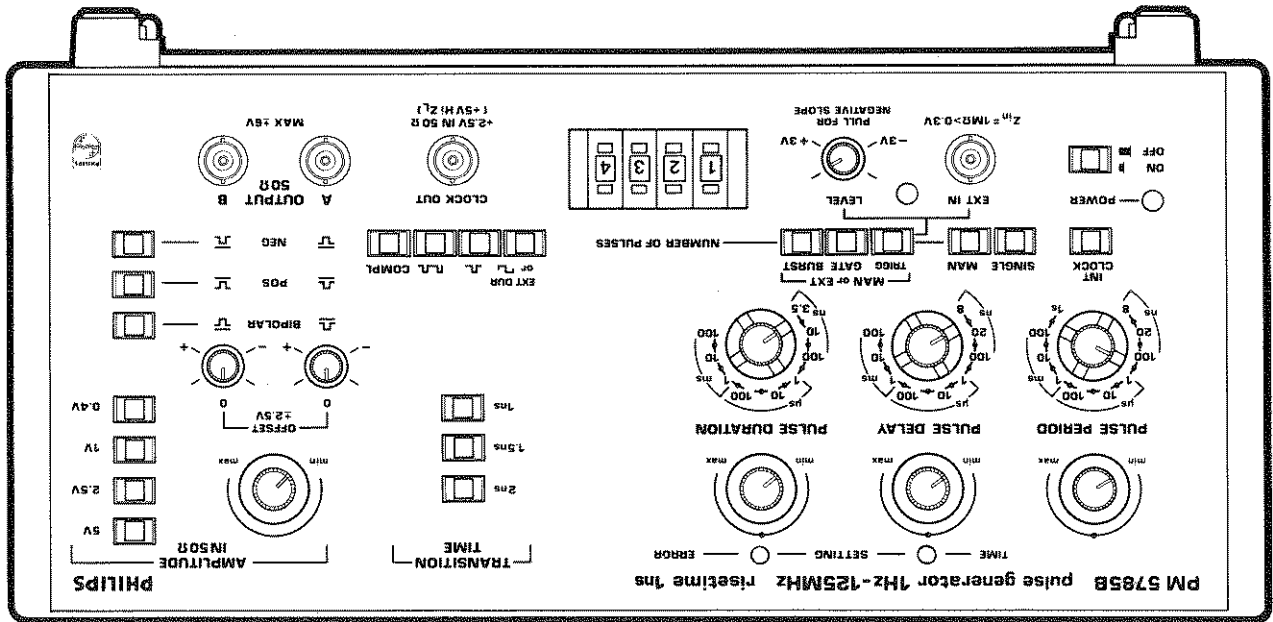


DESCRIPTION OF CONTROLS

Section 3



DESCRIPTION OF CONTROLS



This switches the power on and off. On/off status is indicated by the mechanical position of the push-button and by the yellow LED.

POWER ON/OFF

Timing parameters

INTERNAL CLOCK

This push-button selects the internal oscillator. It is mechanically interlocked with the input mode selectors: TRIGG, GATE and ("B" version only) BURST and overrides both EXT IN and MAN/SINGLE.

PULSE PERIOD

A nine-position switch which, together with the fine adjustment control, sets the pulse period from 8 ns to 1 s. For each range, the lower and upper limits are indicated.

PULSE DELAY

An eight-position switch which, together with the fine adjustment control, sets the pulse delay from 8 ns to 100 ms. Pulse delay is the time between the leading edge of a clock pulse at the clock output and the corresponding leading edge of a single pulse at output A minus 13 ns, see page 4.2, Fig. 4.1. When double pulse mode is selected, then pulse delay is the time between the leading edges of the two pulses making up a double pulse.

PULSE DURATION

An eight-position switch which, together with the fine adjustment control, sets the duration of the output pulse(s) from 3.5 ns to 100 ms.

TRANSITION TIME

Three push-buttons on the PM 5785 generators which set the output waveform transition times On the PM 5786 generators, an eight-position switch sets the transition times from 2 ns to 100 ms. The leading and trailing edge transition times can be set independently within the range of each switch position by the two fine adjustment controls.

TIME SETTING ERROR INDICATORS

When illuminated, each time-setting-error LED indicates an erroneous setting of the timing control(s) beneath, or in some cases, a time setting error in a previous stage.

External input

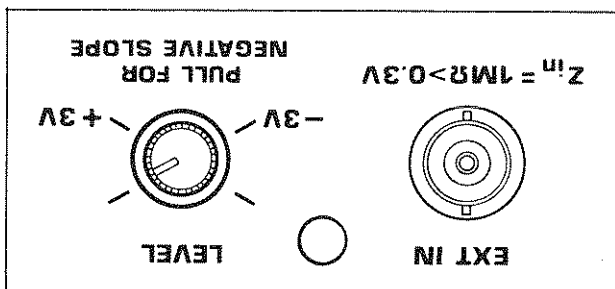


Fig. 3.1 External input section.

External Input

The external input can be used to trigger the generation of pulses/pulse pairs, gate the internal clock, initiate pulse bursts ("B" version only) or cause the outputs to synchronously follow the external input signal. The input has an impedance of 1 MΩ and a sensitivity of 500 mV_{pp}. It has been designed to accept low amplitude signals for triggering directly from ECL circuits, however, the input will tolerate signals of up to 260 Vrms at up to 440 Hz without damage. Signals in excess of 1 V will trigger the generators but difficulties may arise when setting the desired trigger levels. In these cases, connect an attenuating oscillator probe or passive coaxial attenuators to decrease the external input signal to 0.5...1 V.

LEVEL

This control facilitates continuous setting of the external input trigger level from -3 V...+3 V. When pulled, negative trigger slope is selected.

ment controls.

Trigger level indicator

The trigger LED has three states, indicating the status of the trigger circuit. The trigger LED blinks when a pulse generator is triggering on an input signal. Outside this trigger range the LED is either ON or OFF. See Table 3.1.

| State of the LED | Positive slope | Negative slope |
|------------------|-----------------------|-----------------------|
| ON | Set level is too high | Set level is too low |
| BLINKING | Level within range | Level within range |
| OFF | Set level is too low | Set level is too high |

Table 3.1 Indication of set trigger levels

Input mode selectors

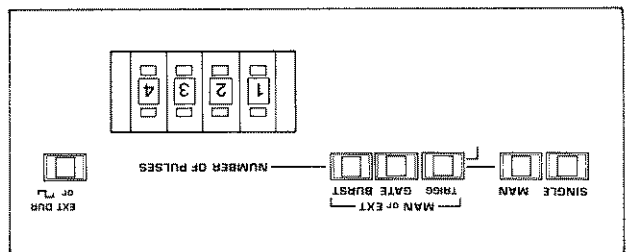


Fig. 3.2 Input mode push-buttons and ("B" versions only) burst switches.

SINGLE (single-shot) / MAN (manual)

Depressing the push-button MAN disables the EXT IN signal and enables the push-button SINGLE to:

- Trigger a single output pulse/pulse pair.
- Gate the internal oscillator.
- Initiate a burst of pulses ("B" versions only).

TRIGG

Selects the triggered mode. Each single-shot or external input signal triggers one output pulse/pulse pair unless push-button EXT DUR is depressed, in which case the length of the trigger signal sets the output pulse duration.

EXT DUR (external duration)

In addition to the effect mentioned under TRIGG, this push-button, when depressed, causes 0.5 duty factor outputs in combination with the push-buttons INT CLOCK, GATE or BURST.

GATE

Each single-shot or external input signal, starts the internal clock oscillator. This oscillator is stopped on releasing the push-button SINGLE or on termination of the signal fed to the input EXT IN. Pulses are thus available at the output during this gating period.

BURST ("B" versions only)

Selects the burst mode. Each single-shot or external input signal initiates one burst of pulses. The number of pulses in the burst is set with the push-button "thumbwheel" switches.

Clock output



Fig. 3.3 Clock output socket.

The clock output signal is a positive-going square wave with a 0.5 duty factor. When terminated with 50 Ohms, its amplitude is 2.5 V. Below 50 Ohms, the signal is taken out before the pulse delay circuit, it can function as a pre-trigger.

Selects 0.5 duty factor output waveforms in combination with push-buttons INT CLOCK, GATE or BURST, without the need to readjust the pulse delay and/or duration times.

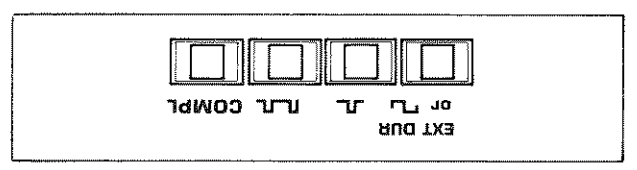
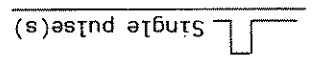
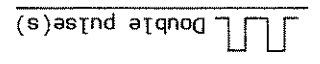


Fig. 3.4 Pulse form push-buttons.

"Symmetrical" pulses



Selects the normal mode of operation. The output pulse duration is as set on the generators. Note that the outputs are delayed from the clock output and from the external input signal.



Selects the double pulse mode, where the time between the leading edges of the double pulse is the PULSE DELAY.

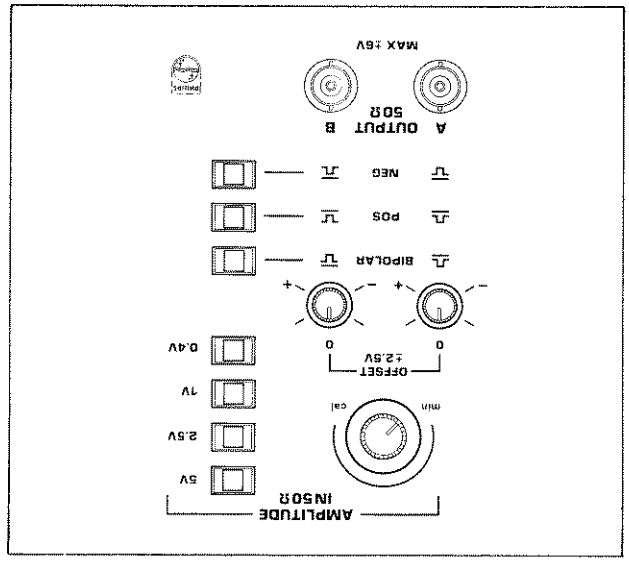
COMPL (Logic level interchange)

This allows the logic levels at the output sockets A and B to be interchanged without simultaneously interchanging the output DC offsets. See Section 4 Fig. 4.8. Note that, for the PM 5786 generators, the leading edge transition times now apply to output B.

Outputs and their controls

The amplitude of the outputs can be attenuated in four ranges by the push-buttons and the fine adjustment control. The indicated output voltage is valid for outputs terminated with 50 Ohm loads. Open-circuit output amplitudes are generally twice the indicated levels but are limited to ± 6 V. The offset controls have a ± 2.5 V range for 50 Ohm impedances. Offset removal is simplified as the controls are arranged with large zero areas.

Fig. 3.5 Output amplitude and offset controls



BIPOLAR

Selects a positive waveform on OUTPUT A and the complementary negative waveform on OUTPUT B, each with the set DC offset.

POS

Selects a positive complementary pair of output waveforms, each with the set DC offset.

NEG

As above but with negative going waveforms. Note that for the PM 5786 units, the leading edge transition time now applies to output B.

Pulse form selectors

BASIC CONTROL SETTINGS

The following explains the setting-up procedures for some typical modes of operation.

Basic set-up

This set-up gives repetitive 0.5 duty factor output waveforms derived from the internal clock.

- Depress push-buttons INT CLOCK and EXT DUR.
- Set any desired PULSE PERIOD.
- Set the TRANSITION TIME(s) an order of magnitude shorter than the PULSE PERIOD.
- Select output AMPLITUDE and output polarity.
- Connect an oscilloscope to OUTPUT A and trigger from the CLOCK output signal.

Repetitive single pulses

- Follow the "basic set-up" procedure.
- Set the PULSE DELAY to minimum and the PULSE DURATION to a time, shorter than half the PULSE PERIOD.
- Depress the push-button marked with a single pulse then check the time-setting-error LEDs.

Repetitive double pulses

- Follow the "basic set-up" procedure.
- Depress the push-button marked with a double pulse.
- Increase the PULSE DELAY and if required, reduce the PULSE DURATION until the train of double pulses visibly separates.

Externally triggered outputs

- Follow the "basic set-up" procedure.
- Depress push-button TRIGG and make sure that push-button MAN is released.
- Connect a signal source to the external input.
- Note: max $15 V_{pp}$ at high frequencies.
- Adjust the trigger LEVEL control until the LED blinks to indicate triggering.

Externally gated outputs

- Follow the procedure under "externally triggered outputs".
- Depress push-button GATE.

Burst ("B" versions only)

- Follow the procedure under "externally triggered outputs".
- Depress push-button BURST.
- Set the desired number of pulses with the push-button "thumb-wheel" switches.
- Ensure a sufficiently low frequency from the external signal source with respect to pulse burst time.

Manually triggered outputs

- Follow the "basic set-up" procedure.
- Depress push-buttons MAN and TRIGG.
- Select single or double pulses.

One pulse or one pulse pair is initiated on each SINGLE-shot. If EXT DUR is selected, then the DC levels of the outputs change over during the time the SINGLE push-button is depressed.

Manual gate

- Follow the "basic set-up" procedure.
 - Depress push-buttons MAN and GATE.
- The output waveforms are gated by the push-button SINGLE.

Manual burst ("B" versions only)

- Follow the "basic set-up" procedure.
- Depress push-buttons MAN and BURST.

One burst is initiated on each SINGLE-shot.

External duration

- Follow the procedure under "externally triggered outputs".
- Depress push-button EXT DUR; the length of the trigger signal sets the output pulse duration.

WHAT WENT WRONG?

Use the CLOCK OUTPUT as a trigger source!

Setting up an instrument usually calls for some trial and error before finding the correct pulse parameters for a specific job. This operation is simplified by the use of the CLOCK OUTPUT.

Independent of the set pulse delay, duration and transition time, and output amplitude, offset and polarity, the CLOCK OUTPUT signal is always a square wave with an amplitude of 2.5 V.

Setting up the time parameters.

- Start with the PULSE PERIOD.

- If one or more of the time-setting-error LEDs should illuminate, then decrease the time setting control below the leftmost of these LEDs.

- To enable final adjustments to be made, connect an oscilloscope to OUTPUT A.

- If a pre-trigger is required, use the CLOCK OUTPUT.

Note: To avoid distorted waveforms, terminate the output(s) with 50 Ohms.

If there are no output waveforms

- Check the time-setting-error indicators and if necessary, readjust the settings.
- Check the trigger mode choice.
- Depress the INTERNAL CLOCK push-button.
- * This should cause an output waveform; use the CLOCK OUTPUT for easier triggering.

* With MANUAL and TRIGG, GATE or BURST selected: - depress the SINGLE push-button.

* With an EXTERNAL Input signal connected and TRIGG, GATE or BURST selected:

- Does the trigger LED blink? If not, readjust the trigger level.
- Is the input signal level too low?
- Is the input signal frequency too low?
- Is the NUMBER OF PULSES ("B" versions only) in the burst set to 0000?

If the output waveforms are not as expected

- Check the time-setting-error LEDs, then readjust the time settings if necessary, starting at the leftmost control.
- For maximum trace stability, trigger the oscilloscope with the CLOCK OUTPUT signal.
- The output waveform extremes may be clamped by the ± 6 V limit - readjust amplitude and/or offset.

- The pulses in the output waveforms may well be truncated just on the limit of LED time-setting-error indication.

- For the PM 5786 generators, a combination of excessive leading and trailing edge transition times could cause sawtooth output waveforms of low amplitude without the LEDs giving error indications.

- Check the load impedance - only the use of 50 Ohm loads will result in undistorted waveforms.
- Check the cable impedance - only 50 Ohm cables should be used.
- Check the cable connectors; T-pieces, etc.

The generator may not be triggering correctly from the external input signal. The sensitivity of the external input is suitable for triggering directly from low amplitude (ECL) signals. Signals in excess of 1 V will trigger the generator, but difficulties may arise when setting the desired trigger levels resulting in unexpected output waveforms. If so, connect a passive $\times 10$ high frequency coaxial attenuator or oscilloscope probe, to decrease the external input signal.

Time-setting errors

Time-setting errors are indicated by LEDs. Each LED, when illuminated, indicates an erroneous setting of the timing control(s) beneath.

If more than one of these LEDs illuminate, decrease the timing control below the leftmost LED. Note that for the PM 5786 generators, excessive PULSE DELAY or DURATION times often give TRANSITION TIME error indications.

DESCRIPTION OF FUNCTIONS

Section 4



DESCRIPTION OF FUNCTIONS

External Input

The External Input is used in several operating modes such as external TRIGGER, external GATE, "EXTERNAL DURATION" and ("B" versions only) BURST. The generators can be set to trigger on either the leading or trailing edges of the external input signal. Furthermore, the trigger level is continuously variable from -3 V to +3 V. To give a clear sign that the generators are being triggered, a LED indicator is provided. This LED blinks when a generator is triggered on the external input signal. Outside the trigger range the LED is either ON or OFF. See table 4.1.

| | | |
|------------------|-----------------------|-----------------------|
| State of the LED | Positive slope | Negative slope |
| ON | Set level is too high | Set level is too low |
| BLINKING | Level within range | Level within range |
| OFF | Set level is too low | Set level is too high |

Table 4.1 Indication of set trigger levels.

The external input signal is delayed by the trigger input circuit for a number of nanoseconds. This delay is, however, not constant, but changes with the signal's amplitude and the trigger level setting.

The total delay from the trigger to the output, for each output pulse form, is dependent upon the input mode selected. These delays are specified as follows:

Each time the generators are triggered by an external input signal, one output pulse (single or double) is initiated. The generator can be set to "EXTERNAL DURATION", single pulses or double pulses by the pulse form selectors. However, with respect to the external input signal, the output waveform and clock output signal delays, for the three different input modes are not the same. See Fig. 4.1.

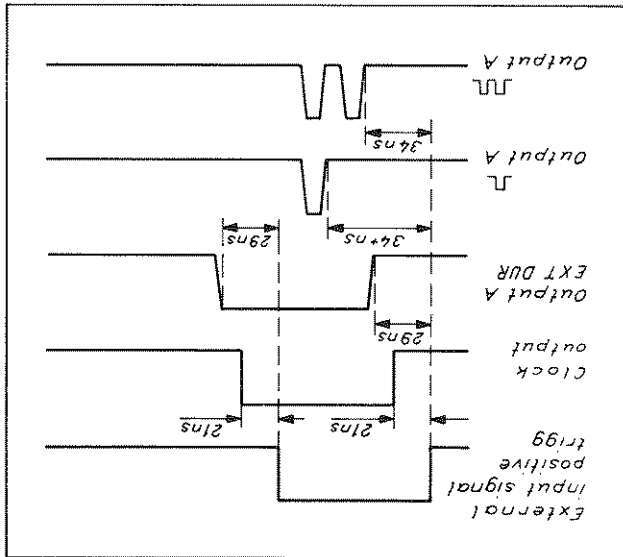


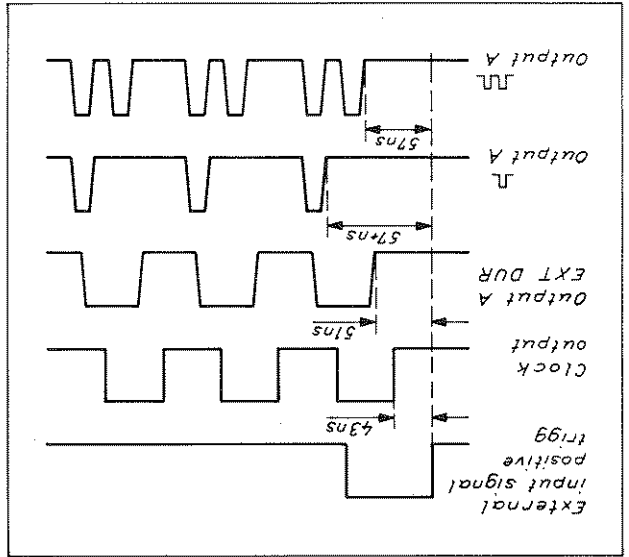
Fig. 4.1 External trig. mode timing diagram (nominal values only).

External gate mode

The external input signal starts the clock that continues to run until the signal stops. Regardless of when the external input signal ends, single and double output pulses are completed. However, the clock output signal and the 0.5 duty cycle output waveforms, when selected, may be truncated. See the block diagram in Fig. 4.13 and the external gate mode timing diagram in Fig. 4.2. For pulse periods above 1 μs, the indicated delay times increase by about 5 ns.

When the preset number of pulses has been reached, the internal clock is stopped and the last output pulse is completed. The delay times from the external input pulse to the first output pulse are shown in Fig. 4.3. For pulse periods greater than 1 μ s, the indicated delay times increase by about 5 ns.

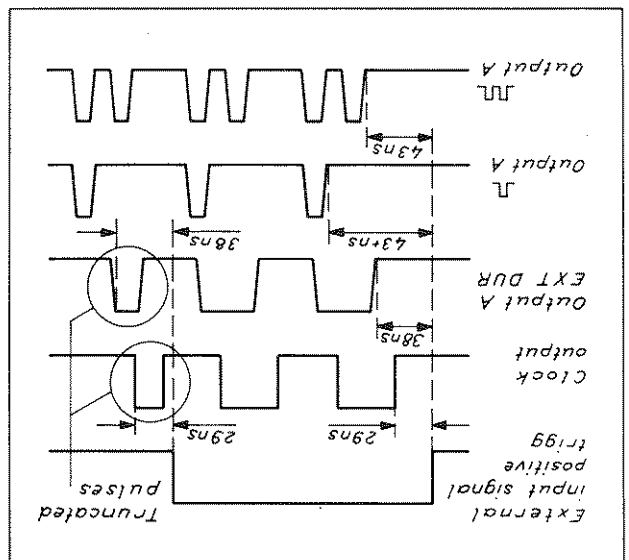
Fig. 4.3 Burst mode timing - nominal values ("B" versions only).



A burst of pulses can be initiated either manually or with an external input signal. The burst function allows the internal clock to start and count the number of clock cycles; see the block diagram in Fig. 4.13.

BURST ("B" versions only)

Fig. 4.2 External gate mode, timing diagram (nominal values only).



Note: Often, instead of operating the SINGLE-shot push-button with the MANUAL function selected, the trigger slope control can be operated without an external input signal to perform the above procedures.

For the "EXTERNAL DURATION" mode of operation the push-buttons marked MAN, TRIG and EXT DUR must be depressed. The output is then activated for as long as the SINGLE-shot push-button is kept depressed.

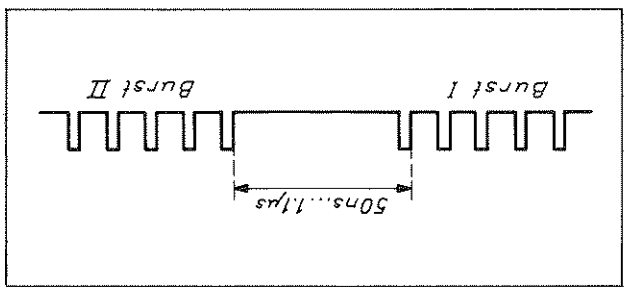
The BURST mode, combined with the MANUAL function, allows momentary operation of the SINGLE-shot push-button to start the internal oscillator. The oscillator is stopped on reaching the preset number of pulses by the burst-mode circuitry.

The GATE mode, combined with the MANUAL function, allows the SINGLE-shot push-button, when depressed, to start the internal oscillator. Releasing the button stops the oscillator.

The BURST mode, combined with the MANUAL function, allows the external input signal to be replaced by the action of the SINGLE-shot control. A single or double output pulse is initiated by depressing this momentary-action push-button.

MANUAL

Fig. 4.4 Shortest time between bursts.



The minimum time between two consecutive bursts is dependent upon the selected pulse period. In the ranges 8...20 ns, 20...100 ns and 100 ns...1 μ s, the time is approximately equal to the set pulse period, but it is never shorter than 50 ns (see also Fig. 4.4). In the six ranges with longer pulse periods, the minimum time is then between 0.1...1.1 μ s depending upon the setting of the pulse period fine adjustment control.

Pulse delay

The pulse delay function, variable from 8 ns to 100 ms, sets the time between the leading edges of a double pulse in the double pulse mode of operation; see Fig. 4.5. For the "normal" mode of operation, the pulse delay is approximately equal to the time between the leading edge of a single pulse and the corresponding leading edge of a double pulse at output A. Delay times, for the single and double pulse modes, with respect to external input signals and the internal clock are as shown in Figs. 4.1, 4.2 and 4.3.

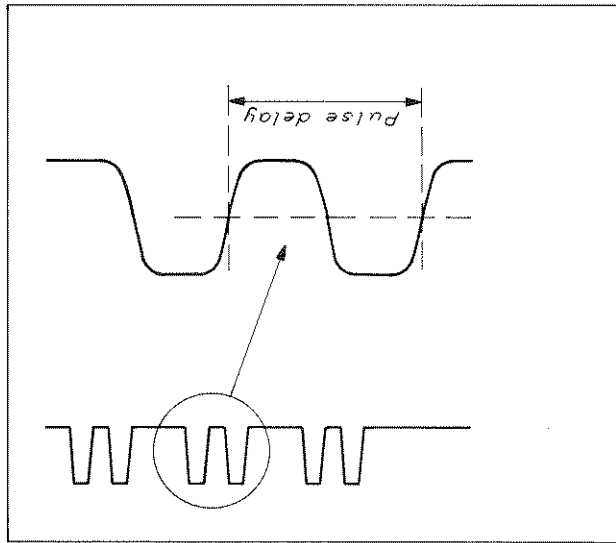


Fig. 4.5 Pulse delay.

Pulse duration

The pulse duration is set from the start of the leading edge to the start of the trailing edge of a pulse and is continuously variable from 3.5 ns to 100 ms. If both leading and trailing edge transition times are altered equally, the pulse duration, measured at 50% amplitude, is independent of the set transition times. For the PM 5786 generators, the measured pulse duration differs from the set value when the leading and trailing edge transition times are varied.

See Fig. 4.6.

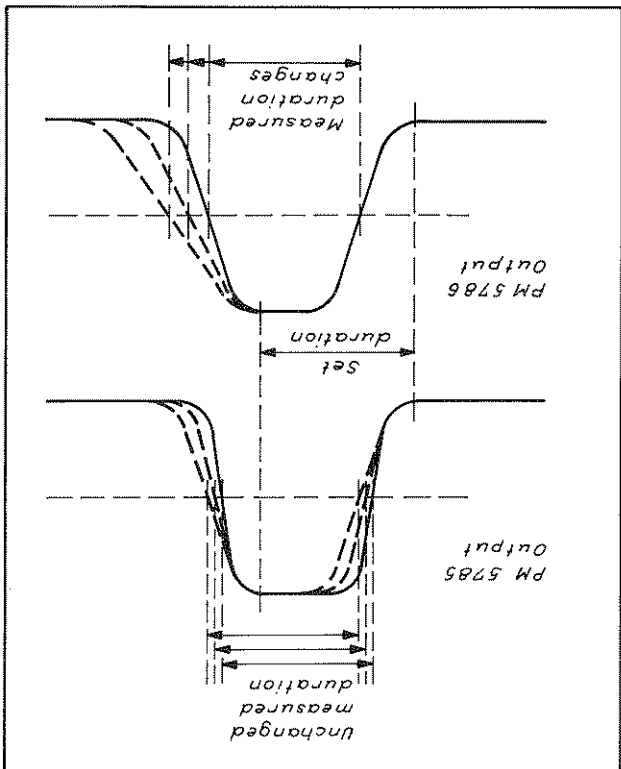


Fig. 4.6 Definition of pulse duration.

Transition time

The transition time is defined as 10 to 90% of the whole leading or trailing edge of a pulse. The PM 5785 generator leading and trailing edge transition times are set equally, with the three push-buttons, to three fixed values only. The PM 5786 generator leading and trailing edge transition times are set independently within each decade of the transition time switch using the two fine-adjustment controls.

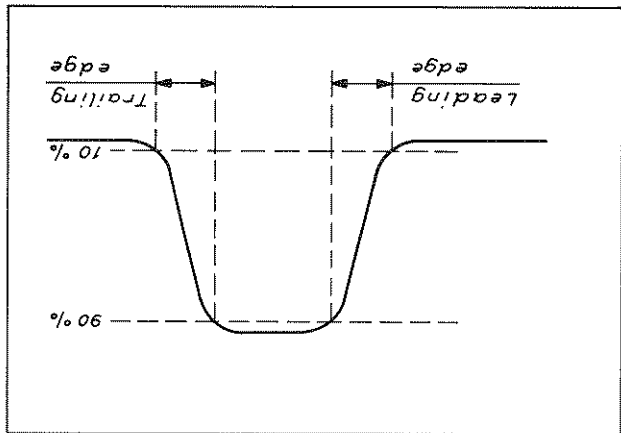


Fig. 4.7 Definition of transition time.

The output stage has facilities for shifting between the following three output combinations:

- Bipolar complementary waveforms intended for analogue applications.
- Positive complementary waveforms intended for positive logic digital applications (TTL).
- Negative complementary waveforms intended for negative logic digital applications (ECL).

See Fig. 4.9.

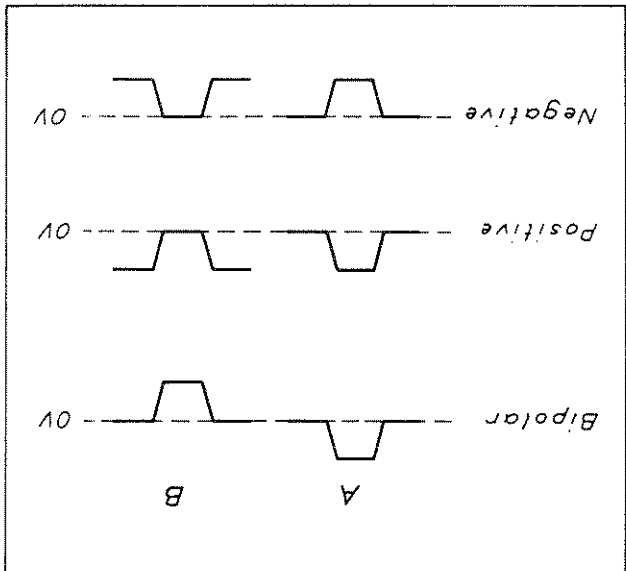


Fig. 4.9 Output pulse modes.

Output stage

The continuously variable amplitude control is in fact a gain control in front of the output amplifier. Referring to Fig 4.10 it can be seen that the set transition times are completely independent of any adjustment of this gain control.

The transition times in the PM 5785 generators are formed by two switched passive filters found after each output stage. With all of these filters switched out, the transition times are 1 ns. For the PM 5786 generators, the leading and trailing edges are formed by a ramp generator. All the set transition times are independent of the amplitude settings; see Fig. 4.10.

Clock out

Refer to the block diagram in Fig. 4.13. The clock output follows the oscillator but precedes the pulse delay and pulse duration circuits. The clock output can thus be useful as an output pre-trigger. Since, for the internal modes of operation, the clock output is always a 0.5 duty cycle signal independent of all adjustments, the signal offers an easy way of monitoring the pulse repetition frequency. The clock output signal has very fast transition times of around 1 ns at an amplitude of 2.5 V into 50 Ohms.

Outputs

Complementary waveforms are always obtainable at the A and B outputs. Note that, for the PM 5786 generators, the transition timing parameters normally refer to output A, unless push-button COMPL is depressed, in which case the preset parameters refer to output B.

See Fig. 4.8.

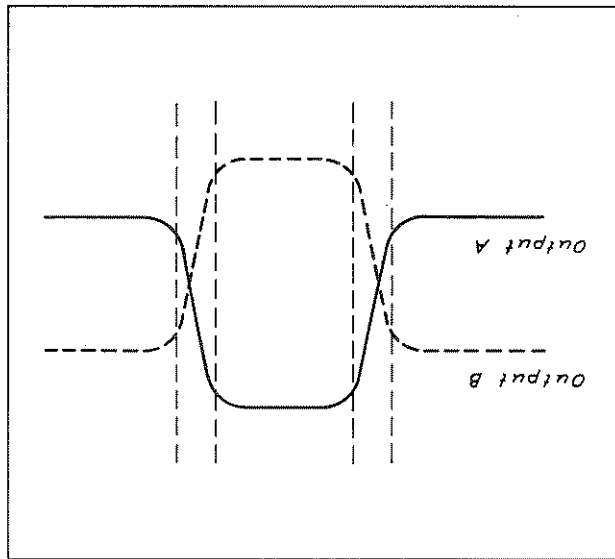


Fig. 4.8 Complementary A and B outputs including DC offsets.

Both outputs have their own independent offset controls with a range of ± 2.5 V for 50 Ohm loads. Easy offset removal is facilitated by extended zero areas on the offset controls. Note that the set offsets remain unaffected when the outputs are switched for bipolar, positive or negative waveforms. See Fig. 4.11.

Offset

Following the output amplifier is a four-stage attenuator graduated for 50 Ohm output load impedances. The indicated voltage levels are therefore inapplicable for mismatched loads. With high-impedance loads, 10 V outputs can be generated but within the limits of ± 6 V. Since this ± 6 V clamp affects the set waveform when operating close to the limits of the output voltage range, it is advisable to check the output waveforms with an oscilloscope.

Fig. 4.10 The set transition times independence of the output amplitude.

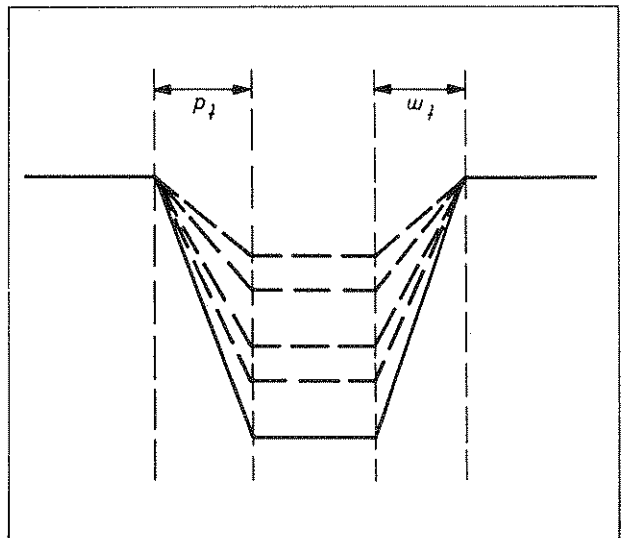
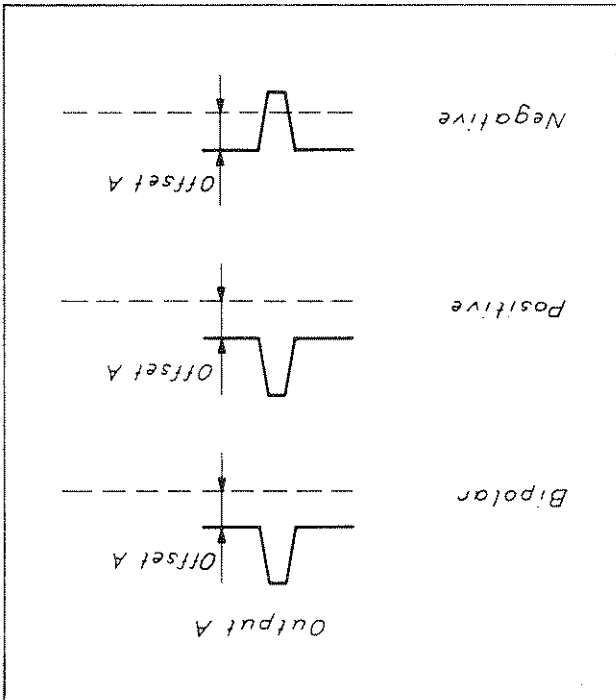
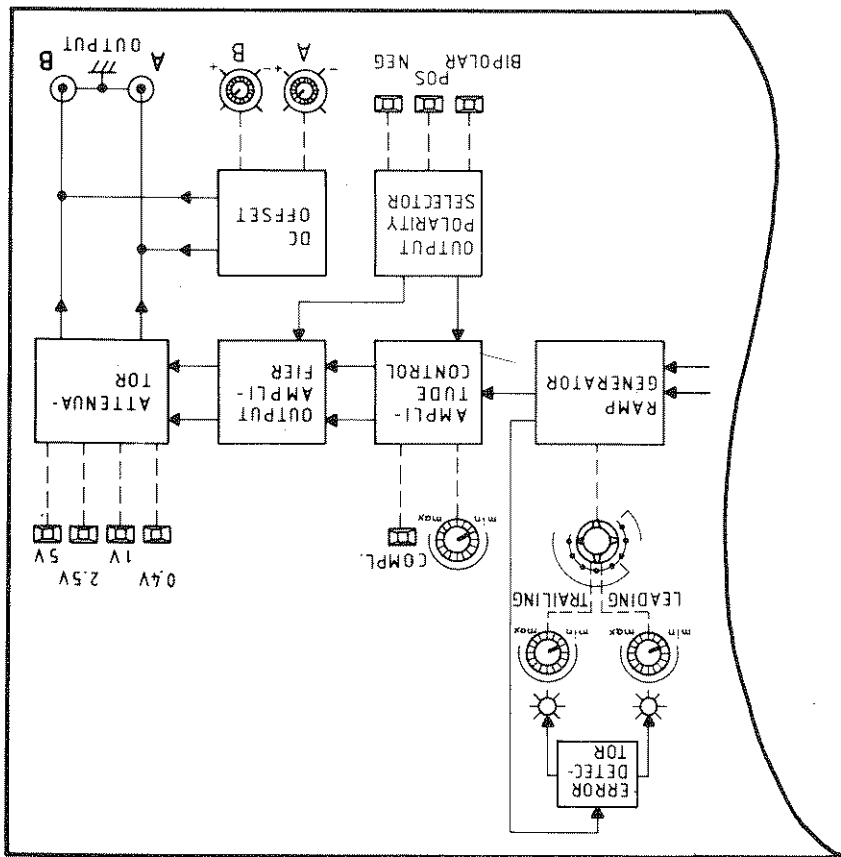


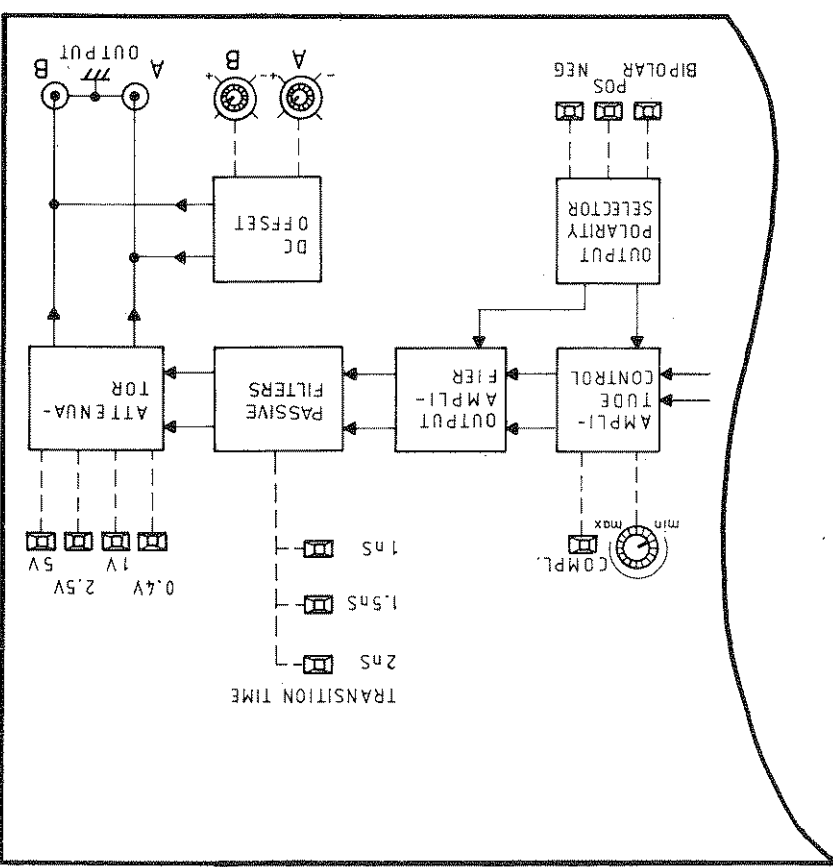
Fig. 4.11 The set offset for the three output combinations.



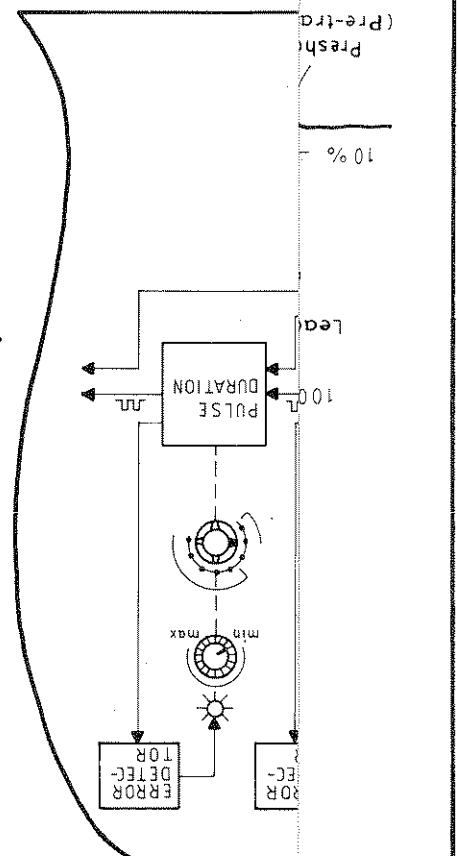


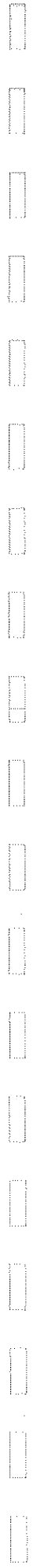
PM 5786
OUTPUT STAGE

Fig. 4.12 P



PM 5785
OUTPUT STAGE





PERFORMANCE CHECK

Section 5

INTRODUCTION

This procedure is intended as a help to:

- Check the instruments' specifications.
- Be used by Incoming Inspection to determine the acceptability of recalibrated or newly purchased instruments.
- Determine the necessity for recalibration after a specified interval.

All limits and tolerances given in this section are calibration guide-lines and should not be interpreted as instrument specifications unless they are also found in Section 6.

All tests are made from the front-panel. Do not remove the instrument covers.

Allow the specified warming-up time (30 mins.). Failure to do so may end in certain test-step results not meeting the instruments' specifications.

Note: At the start of each test the control settings from the previous test should not be readjusted, unless otherwise stated.

Recommended test equipment

Oscilloscope: 2 channels; t_r less than 0.2 ns.
Counter: Philips PM 6654 or equivalent.
Signal source: 100 kHz...50 MHz, 0.5 V...1 V, eg. Philips PM 5715.

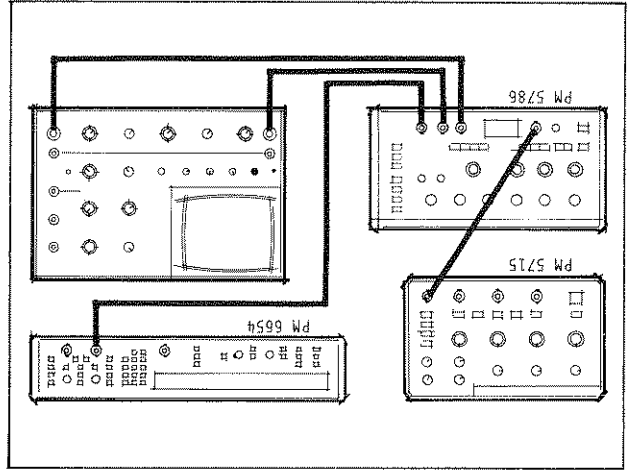


Fig. 5.1 Test set-up.

SPECIFICATION TESTS

Power

Before connecting to the mains, check that the pulse generator is set for the correct mains voltage. If not, read Section 2 on "installation", then change the voltage setting. Make sure that the correct fuse is fitted.

Oscillator

Connect the counter to OUTPUT B using a 50 Ohm cable. Use a 50 Ohm termination unless the input impedance of the counter is already 50 Ohms.

- Set the PULSE DELAY and PULSE DURATION controls to minimum.
- Depress push-buttons INT CLOCK and EXT DUR.
- For each PULSE PERIOD switch position check the fine adjustment potentiometer against the table below.

| | | |
|---------------------|---------------------|-------------------|
| 8 ns...20 ns, | 100 ns...100 ns, | 100 ms...1 s, |
| (125 MHz...50 MHz). | (50 MHz...10 MHz). | (10 Hz...1 Hz). |
| 20 ns...100 ns, | 100 ns...100 ns, | 100 ms...100 ms, |
| (50 MHz...10 MHz). | (10 MHz...1 MHz). | (100 Hz...10 Hz). |
| 100 ns...100 ns, | 100 ns...100 ns, | 1 ms...10 ms, |
| (1 MHz...100 kHz). | (1 MHz...100 kHz). | (1 kHz...100 Hz). |
| 100 ns...100 ns, | 100 ns...100 ns, | 100 ms...100 ms, |
| (100 kHz...10 kHz). | (100 kHz...10 kHz). | (10 kHz...1 kHz). |
| 100 ns...100 ns, | 100 ns...100 ns, | 100 ms...100 ms, |
| (10 Hz...1 Hz). | (10 Hz...1 Hz). | (10 Hz...1 Hz). |

- Depress push-button TRIGG.
- Check that push-button MAN is in its released position.
- Set the external signal source output to 0.5 V_{pp} at about 1 MHz with t_r and t_f at about 200 ns. Connect the signal source to the EXT Input, not forgetting the 50 Ohm termination.
- Adjust the trigger LEVEL potentiometer slowly from +3 V to -3 V and check that the LED changes from OFF to BLINKING to ON.
- Pull the trigger SLOPE switch for negative slope and check that the LED changes from OFF to BLINKING to ON when the control is turned slowly from -3 V to +3 V.

External Duration

- Connect the oscilloscope to OUTPUT A.
- Depress push-button EXT DUR.
- Check the output waveform pulse duration against a square wave signal applied to the External Input.

GATE

- Depress push-button GATE.
- Check that the generator output is gated by the External Input signal. If necessary reduce the PULSE PERIOD so that a number of gated pulse bursts can be seen at the output.

BURST ("B" versions only)

- Depress push-button BURST.
- Preset the NUMBER OF PULSES to 0003.
- Set the pulse period to 8 ns.
- Check the number of output pulses with the oscilloscope.
- Depress push-button MAN.
- Connect a counter in the totalize mode to OUTPUT B. Bear in mind the capabilities of the counter when adjusting the PULSE PERIOD.
- Preset the NUMBER OF PULSES to 1111.
- Depress push-button SINGLE and check the preset pulse number against the counter reading.
- Repeat with: 2222, 3333, 4444, 5555, 6666, 7777, 8888, 9999 and 0000.

CLOCK OUTPUT

- Depress push-button INT CLOCK.
- Connect the oscilloscope to the CLOCK OUTPUT remembering the 50 Ohm termination.
- The clock waveform amplitude should be 2.5 V with a rise-time of approximately 1 ns.

PULSE DURATION

- Depress the push-button marked with a single pulse.
- Set the PULSE PERIOD between 1...10 μ s.
- Using the oscilloscope, check that the PULSE DURATION controls cover both the ranges 3.5...10 ns and 10...100 ns.
- Using the counter check that the PULSE DURATION controls also cover the remaining six ranges; remember to set a sufficiently long PULSE PERIOD.

PULSE DELAY

- Depress the push-button marked with a double pulse.
- Set the PULSE PERIOD to 10...100 μ s.
- Set the PULSE DURATION to 3.5 ns.
- Using the oscilloscope check that the PULSE DELAY controls cover the ranges 8...20 ns, 20...100 ns and 0.1...1 μ s.
- Depress the push-button marked with a single pulse.
- Connect the counter to both CLOCK OUT and OUTPUT A and measure the OUTPUT A time-delay from the CLOCK OUTPUT.
- Check the min. and max. values of the remaining PULSE DELAY times, not forgetting to re-adjust the PULSE PERIOD.

Error detection

- Set the PULSE PERIOD to 20 ns.
- Connect the oscilloscope to OUTPUT A, triggering from the CLOCK OUTPUT.
- Check that the PULSE DELAY LED illuminates for excessively long PULSE DELAY times. There may be a narrow range where error detection is uncertain. Note that in the double pulse mode, delay times which are either too short or too long will give an error indication on the PULSE DURATION LED.
- Check that the PULSE DURATION LED illuminates for excessively long PULSE DURATION times. Again there may be a narrow range where error detection is uncertain.

Additional steps for PM 5786 units:

- Set the PULSE PERIOD to 8 ns, select 0.5 duty cycle pulses and transition times of 2 ns.
- Turn the LEADING potentiometer until the LEADING error LED illuminates.
- Check that the pulse amplitude has decreased by 40...60%.
- Reset the LEADING potentiometer and check the TRAILING error LED in the same way.

TRANSITION TIME

- Set the PULSE PERIOD to 300 ns.
- With the oscilloscope, check the TRANSITION TIMES (min. and max. for the 2...10 ns and 10...100 ns ranges on the PM 5786 units) against the specs. given in Section 6.
- For the PM 5786 generators, continue by increasing the PULSE PERIOD and checking the min. and max. TRANSITION TIMES for the remaining six ranges.

Distortion

- For PM 5785 generators:
- Check that pulse overshoot, ringing and baseline distortion at the 2 ns transition time setting are less than 3% ± 10 mV. For the 1.5 ns transition time settings, the permitted tolerance may increase to 5% ± 10 mV.
- For PM 5786 generators:
- Check that pulse overshoot, ringing and baseline distortion for transition times greater than 5 ns are less than 5% ± 10 mV. The permitted tolerance may increase to 10% ± 10 mV for transition times less than or equal to 5 ns.

Output amplitude

- The output amplitude is valid for 50 Ohm loads only.
- Select BIPOLAR outputs with PULSE PERIOD set to 100 ns...1 μ s, TRANSITION TIME to min., all fine adjustment potentiometers to max. and DC offsets to 0 V.
 - Measure the output waveform amplitude for the 5 V, 2.5 V, 1 V and 0.4 V attenuator push-button set positions.

Pulse Levels

- Check the DC-zero level of the outputs A and B in the following output configurations with the AMPLITUDE knob in the max. position:
 - BIPOLAR 5 V and COMPL. BIPOLAR 5 V.
 - Positive 5 V and COMPL. Positive 5 V.
 - Negative 5 V and COMPL. Negative 5 V.
- Set the AMPLITUDE knob to min. and recheck BIPOLAR and COMPL. BIPOLAR.

DC offset

- Turn the DC OFFSET controls to their most clockwise (CW) and their most counter-clockwise (CCW) positions and measure the baseline offset and pulse limiter levels.

SPECIFICATIONS

Section 6



SPECIFICATIONS

Specifications with given tolerances, are guaranteed by the Philips organisation in the country in which the equipment was purchased. Specified figures without given tolerances, are the expected nominal values derived from the mean value of measurements taken from a number of similar pieces of equipment. The specifications are valid after a warming-up period of 30 minutes at an ambient temperature of 25°C.

Safety

These instruments have been designed and tested in accordance with Class I safety requirements of IEC publication 348: "Safety Requirements for Electronic Measuring apparatus" and further, have been supplied in a safe condition. The information and cautions contained in this manual must be followed, not only to ensure safe operation of the instruments, but also to maintain them in a safe condition.

Timing parameters

Pulse repetition period: 8 ns...1 s (1 Hz...125 MHz).
 Pulse delay: 8 ns...100 ms.
 Pulse duration: 3.5 ns...100 ms.
 PM 5785 transition times: 1 ns \pm 10%, 1.5 ns \pm 10% or 2 ns \pm 10% taken from 10% to 90% of the pulse rise or fall times.
 PM 5786 transition times: 2 ns \pm 10%...greater than 100 ms taken from 10% to 90% of the pulse rise or fall times.
 For ECL testing, the rise and fall times are taken from 20% to 80% of the transitions. Minimum values for the two units are thus 0.7 and 1.4 ns respectively.
 0.1% of the set times plus 50 ps.

Outputs

Outputs: 2 channels, A and B.
 Amplitude: 0.2 V...5 V with $Z_L = 50 \Omega$; twice the amplitude for open-circuit outputs, but limited to ± 6 V.
 DC offset: -2.5 V...+2.5 V with $Z_L = 50 \Omega$; -5 V...+5 V for open-circuit outputs.
 Max. voltage: Max. set amplitude plus DC offset is ± 6 V peak with $Z_L = 50 \Omega$. For open-circuit outputs a 10 V swing can be achieved.
 Distortion: Less than 5% ± 10 mV.
 Less than 3% ± 10 mV for transition times greater than 1.5 ns (PM 5785).
 Less than 10% ± 10 mV for transition times less than 5 ns (PM 5786).
 Resistance: 50 Ω \pm 5%.
 Impedance: PM 5785: 50 Ω \pm 5%. PM 5786: 50 Ω \pm 10%.
 Protection: Protected against short circuit, open circuit and transients: (3000 mA/1 μ s, 600 mA/1 s).
 Pulse form: Single pulse(s) (delayed from the clock).
 Double pulse(s).
 0.5 Duty factor waveforms \pm 1% (1 Hz...1 MHz).
 \pm 10% (1 MHz...125 MHz).
 Interchangeable (switched); complementary logic levels.
 Positive and negative polarity complementary waveforms.
 Positive polarity complementary waveforms.
 Negative polarity complementary waveforms.

Polarity:

Bipolar:
 Positive:
 Negative:

External operating modes

Trigg: Externally triggered; internally generated pulse(s). Trigger freq. range: DC...125 MHz.
Gate: Externally gated; internally generated waveform initiated by the active-on external input signal.
Burst: ("B" versions only): Internally generated burst containing 0...9999 pulses, selected by thumb-wheel switches and initiated by a single-shot or an external input signal.
External duration: External duration gives pulses with the same period and pulse duration as the external input signal; all other pulse parameters are as set on the generator.

External input

Signal range: DC...125 MHz; minimum pulse duration 3.5 ns.
Signal amplitude: 0.5...15 V_{pp}.
Coupling: DC.
Input impedance: 1 MOhm / 25 pF.
Trigger level: -3 V...+3 V.
Trigger slope: Positive and negative.
Trigger indicator: LED with 3 indication states: Blinks when triggering.
Max. input voltage: 260 V_{rms} at 440 Hz, down to 15 V_{pp} at 125 MHz.

Clock output

The clock output can be used as a pre-trigger since the output pulses are delayed from the clock.
Amplitude: +2.5 V into 50 Ohms.
Impedance: 50 Ohms (typical).
Transition time: Approximately 1 ns.
Pulse duration: 0.5 duty factor waveforms ±1% (1 Hz...1 MHz) ±10% (1 MHz...125 MHz)
Protection: Protected against short-circuit, open-circuit and transients.

Time setting error indicators

Incorrect settings of pulse delay, pulse duration and for the PM 5786 generators, leading and trailing transition times are indicated by time setting error LEDs.

Power requirements

Mains supply: 100 V, 120 V, 220 V or 240 V_{rms} ±10%.
120 VA, 50...60 Hz.
Safety: Meets IEC 348 and CSA 556B.
Mains interference: Below VDE 0871 Level B and MIL-STD 461 A.

Maximum dimensions

- Height (5.7 in)
300 mm (11.8 in)
- Width
470 mm (18.5 in)
- Depth

Weight

- Net 9.5 kg (21 lbs)
- Shipping 11.5 kg (25 lbs)

Environmental conditions

The environmental data specifications given in this manual are based on the result of the manufacturer's checking procedures. Details of these procedures and failure criteria are supplied on request by the Philips organisation in your country, or by Philips, Scientific & Industrial Equipment Division, Eindhoven, The Netherlands.

Climatic conditions

Ambient temperature:
- Operating range 0°C...+50°C.
- Storage and transport -40°C...+70°C.
Relative humidity:
- Operating range 10...90% RH, without condensation.
- Storage and transport 5...95% RH.
Max. altitude (air pressure):
- Operating 5,000 m / 15,000 ft (53.3 kN/m²).
- Storage and transport 15,000 m / 50,000 ft (15.2 kN/m²).

Mechanical type approval test

Vibration: To IEC publication 68-2-6 Fc.
Bump: To IEC publication 68-2-29 Eb.
Handling: To IEC publication 68-2-31 Ec.
Transport: To Philips Standard UN-D 1400.
Shock: To MIL-T-28800.

Climatic acceptance test

Steady dry heat: To IEC publication 68-2-2 Bb.
Steady cold: To IEC publication 68-2-1 Ab.
Cyclic damp heat: To IEC publication 68-2-30 Db.

ACCESSORIES

Standard accessories

(Supplied with the instrument).

- One manual
- One mains cable
- One 800 mA delayed-action fuse
- One 1.6 A delayed-action fuse

Optional accessories

(to be ordered separately)

- PM 9581 50 Ohm feed-through termination, 3 W.
- PM 9585 50 Ohm feed-through termination, 1 W.
- PM 9584 50 Ohm T-piece (matched power splitter).
- PM 8923 120 MHz, 50 Ohm probe-set for connection to external input.
- PM 9588 * 50 Ohm coaxial cable set with calibrated delay times.

*) contains the following cables, type RG58A/U with BNC connectors:

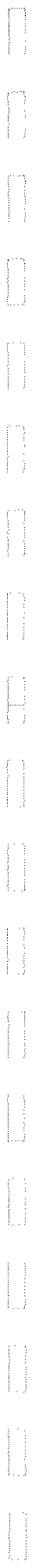
| Delay | Length |
|-------------|---------|
| 5 off 1 ns | 200 mm |
| 4 off 2 ns | 400 mm |
| 3 off 3 ns | 600 mm |
| 3 off 10 ns | 1980 mm |

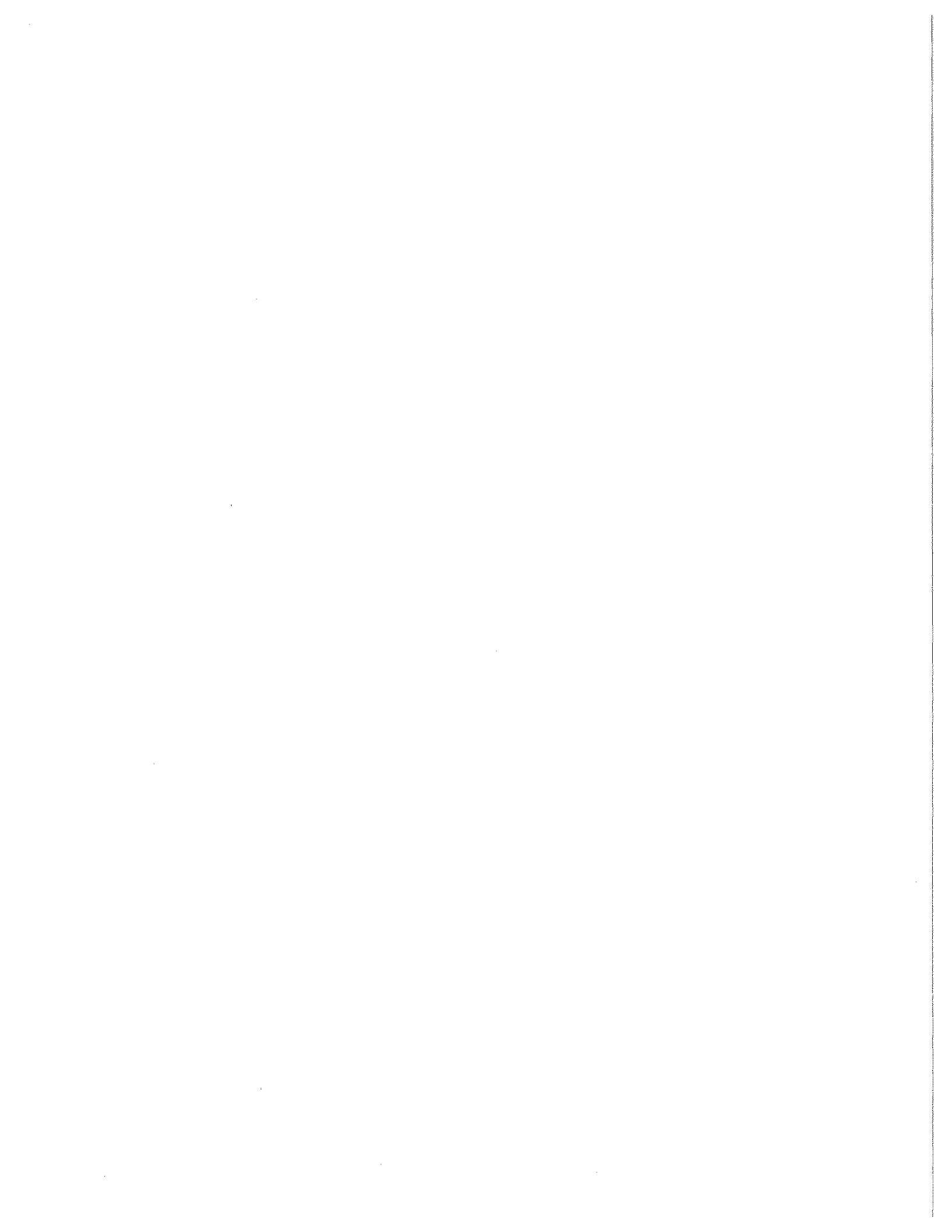
PHILIPS



125 MHz Impulsgeneratoren
PM 5785 PM 5786

Bedienungsanleitung





INHALT

Kapitel 1 - EINLEITUNG 1-2

Kapitel 2 - INSTALLATION

Sicherheitsvorkehrungen 2-2

Sicherheitsvorschriften 2-2

Wenn Frage entsteht über Sicherheit 2-2

Erdung 2-2

Öffnen des Gehäuses 2-2

Einstellung auf Netzspannung 2-2

Sicherung 2-3

Betriebsstellung und Kühlung 2-3

Kapitel 3 - BESCHREIBUNG DER BEDIENUNGSELEMENTE 3-2

Zeitparameter 3-3

Externer Eingang 3-3

Eingangswahlrelais 3-4

Taktgeberausgang 3-4

Impulswahlrelais 3-5

Hauptausgänge 3-5

GRUNDLEGENDE EINSTELLUNGEN 3-6

FEHLERSUCHE 3-7

Kapitel 4 - FUNKTIONSBESCHREIBUNG 4-2

Blockschaltbild 4-7

Impulsdefinitionen 4-7

Kapitel 5 - FUNKTIONSKONTROLLEN

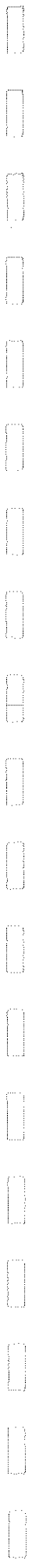
EINLEITUNG 5-2

Empfohlene Meßgeräte 5-2

SPEZIFIKATIONSTESTS 5-2

Kapitel 6 - TECHNISCHE DATEN 6-2

ZUBEHÖR 6-5

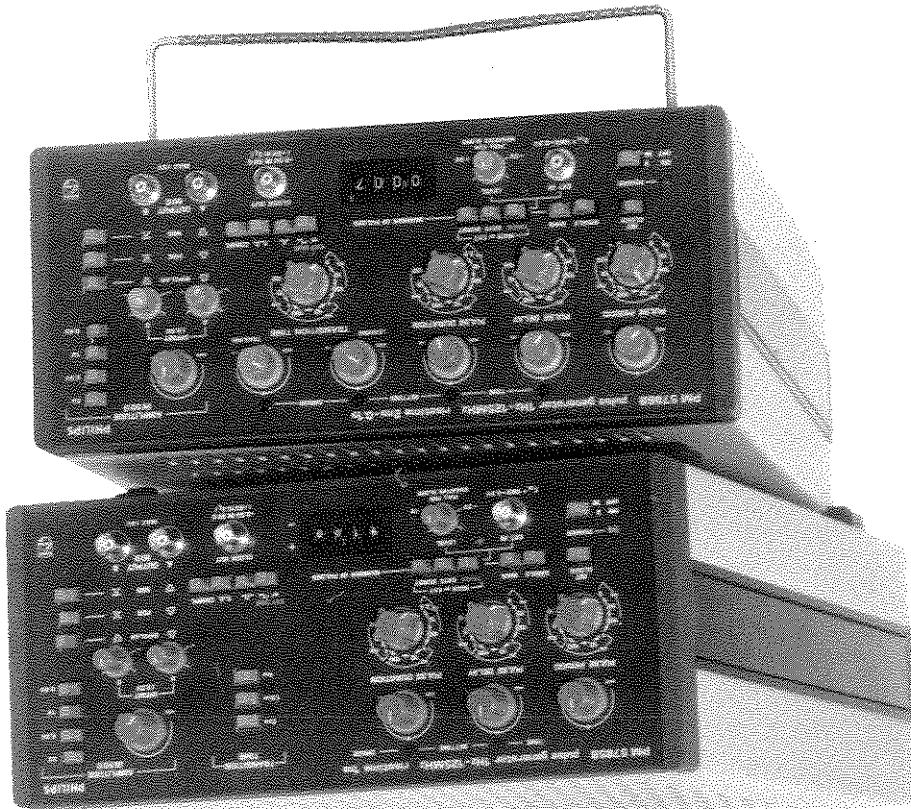


Kapitel 1
EINLEITUNG

EINLEITUNG

Die Philips-Impulsgeneratoren PM 5785/85B und PM 5786/86B mit Dualausgang sind sowohl für lineare, als auch für digitale Applikationen vielseitig verwendbar. Die Generatoren PM 5785/85B verfügen bei einer Taktfrequenz von 125 MHz/1 ns (an 50 Ohm) über extrem kurze, auf drei Stufen einstellbare Anstiegs- und Abfallzeiten. Eine Besonderheit der PM 5786/86B mit 125 MHz/2 ns Taktfrequenz besteht darin, daß Anstiegs- und Abfallzeiten unabhängig voneinander eingestellt werden können. Die Vielseitigkeit ist durch mehrere Trigger- und Steuermodes, verschiedene Impulsarten und (bei den B-Versionen) durch eine Burstfunktion mit vorwählbarer Impulszahl gegeben.

Die übersichtliche Anordnung Der Bedienungsorgane auf der Frontseite erleichtert den Betrieb. Dazu kommen noch LED-Anzeigen, die vor fehlerhaften Zeiteinstellungen warnen. Auf diese Weise werden falsche Impulse aufgrund von nicht zueinander passenden Parametern wie Impulsverzögerung, Impulsbreite sowie Anstiegs- und Abfallzeiten (PM 5786) vermieden.



Saubere Impulse mit hoher Geschwindigkeit

Die Generatoren liefern Ausgangssignale mit hoher Geschwindigkeit und Genauigkeit und empfehlen sich daher als ideale Geräte zum Testen betriebiger TTL- und ECL-Schaltkreise. Im letzteren Fall sind die Anstiegs- und Abfallzeiten (zwischen 20 und 80% Amplitude) bei den PM 5785 bis herab auf 0,7 ns (stufenweise) und bei den PM 5786 bis herab auf 1,4 ns (stufenlos) einzustellen.

Die bipolaren 5 V-Ausgänge (an 50 Ohm) und der hochwertige vierstufige Ausgangsabschwächer verleihen den Instrumenten auch sehr gute Eigenschaften für lineare Applikationen. Durch die hervorragende 50 Ohm-Rückanpassung, die über 90% aller Reflexionen von nicht angelegten Belastungen (andere als 50 Ohm) absorbiert, sind immer saubere Impulse gewährleistet.

Dualausgang

Die beiden Ausgänge A und B liefern gleichzeitig positive und negative Impulse für bipolare und lineare Applikationen, aber auch positive oder negative Komplementärimpulse für digitale Applikationen. Die Impulse an den Ausgängen A und B laufen synchron und haben dieselbe Amplitude, doch kann der Nullpegel (Offset) jedes Ausgangs getrennt im Bereich von $\pm 2,5$ V (an 50 Ohm) verschoben werden.

Flexible Impulsarten

Durch die freie Wahl zwischen bipolaren, positiven oder negativen Komplementären Ausgangssignalen ist es einfach, die gerade benötigte Impulsart einzustellen, ohne lange an Knöpfen für Invertierung und Nullpegel zu drehen. Mit der Wähltaaste COMPL (normal/ Komplementär) kann man außerdem logische Pegel umkehren, ohne die Polarität zu ändern.

Externer Eingang (EXT IN)

Dieser Eingang ermöglicht es, eine Reihe von externen Steuerungssignalen für Triggerng, Tastung, Burst und Impulsbreite zu verwenden. Ein solches Steuerungssignal kann den Beginn (und bei Wahl von EXT DUR die Dauer) der verschiedenen Funktionen definieren. Die Start-/Stop-Bedingung läßt sich mit einem Potentiometer für Triggerepegel (-3 V und $+3$ V) und Flankenwahl (+/-) einstellen. Die Triggerng wird durch eine blinkende LED angezeigt.

Die Generatoren können aber auch manuell in gleicher Weise wie über den externen Eingang gesteuert werden.

Externe Triggerng

Mit Hilfe externer Triggerng können die Generatoren mit einem anderen Faktissignal synchron arbeiten. Alle übrigen Parameter wie Impulsbreite, Impulsverzögerung usw. werden auf den Geräten selbst eingestellt. Das externe Triggersignal kann von 0...125 MHz variieren, bei Doppelimpulsbetrieb von 0...62,5 MHz.

Externe Tastung

Mit Hilfe externer Tastung lassen sich die Generatoren gewissenmaßen ein- und ausschalten. Solange ein externes Tastsignal am Eingang liegt, erzeugt das Gerät Impulse mit den voreingestellten Parametern.

Burst

Die B-Versionen ermöglichen es, Burstsignale mit einer vorwählbaren Zahl von Impulsen (0...9999) zu generieren. Diese Signale können manuell oder durch ein externes Eingangssignal ausgelöst werden.

Extern gesteuerte Impulsbreite (EXT DUR)

In dieser Betriebsart können die Generatoren zur Konditionierung von Eingangssignalen dienen. Das externe Eingangssignal bestimmt die Periodendauer und die Impulsbreite, während Amplitude, Nullpegelverschiebung, Anstiegs- und Abfallzeiten, normaler oder komplementärer Betrieb durch die Einstellungen am Gerät definiert sind.

Symmetrische Impulse



Diese Betriebsart liefert Rechteckimpulse mit einem konstanten Tastverhältnis von 0,5. Sie erleichtert damit die Verwendung der Geräte als Taktfrequenzgenerator sowie das rasche Auffinden der Wiederholfrequenz von Ausgangssignalen.

LED-Anzeigen warnen vor Bedienungsfehlern

Bedienungsfehler können auftreten, weil es z.B. möglich ist, die Impulsdauer auf einen niedrigeren Wert als die Summe der übrigen Zeitparameter einzustellen. Die Leuchtioden zeigen an, welche Zeitparameter mit Rücksicht auf die Impulsdauer zu groß gewählt wurden.

Kapitel 2
INSTALLATION



Wichtig!

Lesen Sie diesen Abschnitt vor Installation und Betrieb der Impulsgeneratoren bitte sorgfältig durch.

Durch Geräte sollten nur von geschultem Personal bedient werden. Änderungen, Reparaturen oder Wartungsarbeiten bei geöffnetem Gehäuse dürfen nur von einem Fachmann durchgeführt werden, der sich der bestehenden Gefahr bewußt ist.

Sicherheitsvorschriften

Um den richtigen und sicheren Einsatz der Impulsgeneratoren zu gewährleisten, ist es wichtig, daß bei Betrieb und Wartung die allgemeinen üblichen Sicherheitsmaßnahmen getroffen und die Vorschriften in dieser Bedienungsanleitung befolgt werden.

Wenn Frage entsteht über Sicherheit

Wenn immer der sichere Betrieb gefährdet erscheint, ist das Gerät abzuschalten und gegen unbefugte Benutzung zu sichern. Wenden Sie sich in diesem Fall an den Philips-Service.

ZUR BEACHTUNG: Sämtliche Teile auf der Primärseite des Netztransformators sind CSA-geprüft und dürfen nur durch Originalteile ersetzt werden.

Erdung

Die Impulsgeneratoren werden über das dreidrähtige Netzkabel geerdet, das an eine Schutzkontakt-Steckdose anzuschließen ist. Keine andere Art von Schutzzerdung ist erlaubt. Vor dem Anschluß muß außerdem die Funktion der Schutzzerdung überprüft werden. Wird der Generator von einer kalten in eine warme Umgebung gebracht, kann es durch Kondensation zu gefährlichen Situationen kommen. Achten Sie daher streng darauf, daß die Erdungsvorschriften befolgt werden.

Jeder Erdungsfehler innerhalb oder außerhalb des Generators ist gefährlich. Auf keinen Fall Verlängerungskabel ohne Schutzleiter verwenden.

Öffnen des Gehäuses

Vor dem Öffnen sind die Generatoren von sämtlichen Spannungsquellen zu trennen. Falls sich Änderungen, Reparaturen oder Wartungsarbeiten bei geöffnetem Gehäuse als notwendig erweisen, dürfen sie nur von einem Fachmann durchgeführt werden. Denken Sie daran, daß Kondensatoren im Inneren des Geräts auch dann aufgeladen sein können, wenn der Generator bereits von allen Spannungsquellen getrennt wurde.

ZUR BEACHTUNG: Durch Öffnen des Gehäuses oder Entfernen von Teilen, ausgenommen solche, die von außen zugänglich sind, werden spannungsführende Komponenten und Anschlüsse freigelegt, deren Berührung lebensgefährlich sein kann.

Einstellen auf Netzspannung

Vor Anschluß an das Netz ist zu überprüfen, ob der Generator auf die örtliche Netzspannung eingestellt ist. Bei Lieferung ist das Gerät auf 100 V, 120 V, 220 V oder 240 V eingestellt, siehe Spannungsumschalter unter dem Deckel auf der Geräterückseite, Abb. 2.1.

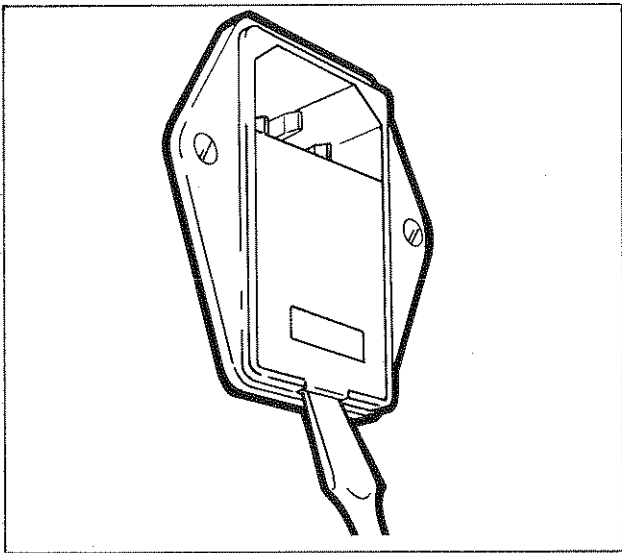


Abb. 2.1 Der Deckel des Spannungsumschalters wird mit einem Schraubenzieher geöffnet.

Um die Spannung zu ändern, geht man wie folgt vor:

- Netzkabel vom Gerät abziehen.
- Deckel des Spannungsumschalters mit einem Schraubenzieher öffnen, siehe Abb. 2.1.
- Umschaltknocke herausnehmen, siehe Abb. 2.2.
- Umschaltknocke in der gewünschten Stellung zurückstecken.
- Falls notwendig, die Sicherung auswechseln. Lesen Sie dazu bitte den Abschnitt "Sicherung" unten.
- Deckel wieder festdrücken.

Sicherung

Die Impulsgeneratoren werden durch eine Sicherung am Spannungsumschalter auf der Geräterückseite geschützt, siehe Abb. 2.1. Der Sicherungshalter mit einer der in Europa üblichen 5 x 20 mm Rohrsicherungen ist wie auf Abb. 2.2 gezeigt einzuschleiben.

Für die in den USA üblichen Sicherungen ist ein spezieller Sicherungshalter notwendig.

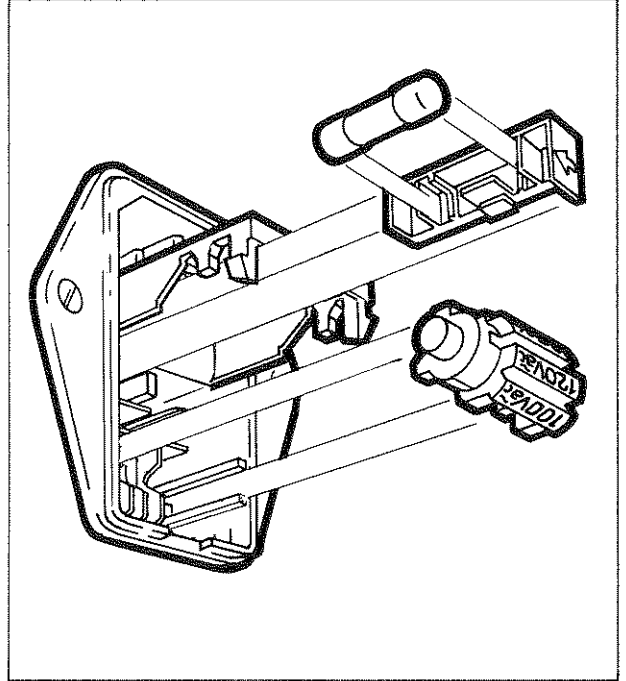


Abb. 2.2 Sicherung und Umschaltnocke im Inneren des Spannungsumschalters.

Bei Änderung der Netzspannung muß meist auch die Sicherung ausgetauscht werden: bei 220 V und 240 V ist eine träge 0,8-A-Sicherung zu verwenden, bei 100 V und 120 V eine träge 1,6-A-Sicherung. Nur Sicherungen des angegebenen Typs verwenden.

Austauschen von Sicherungen:

- Netzkabel vom Impulsgenerator abziehen.
- Deckel des Spannungsumschalters mit einem Schraubenzieher öffnen.
- Geeignete Sicherung laut Tabelle einsetzen.

| Typ | Service-Codenummer |
|--------------------------|--------------------|
| 0,8 A träg für 220/240 V | 4822 253 30019 |
| 1,6 A träg für 100/120 V | 4822 253 30024 |

- Deckel wieder festdrücken.

Betriebsstellung und Kühlung

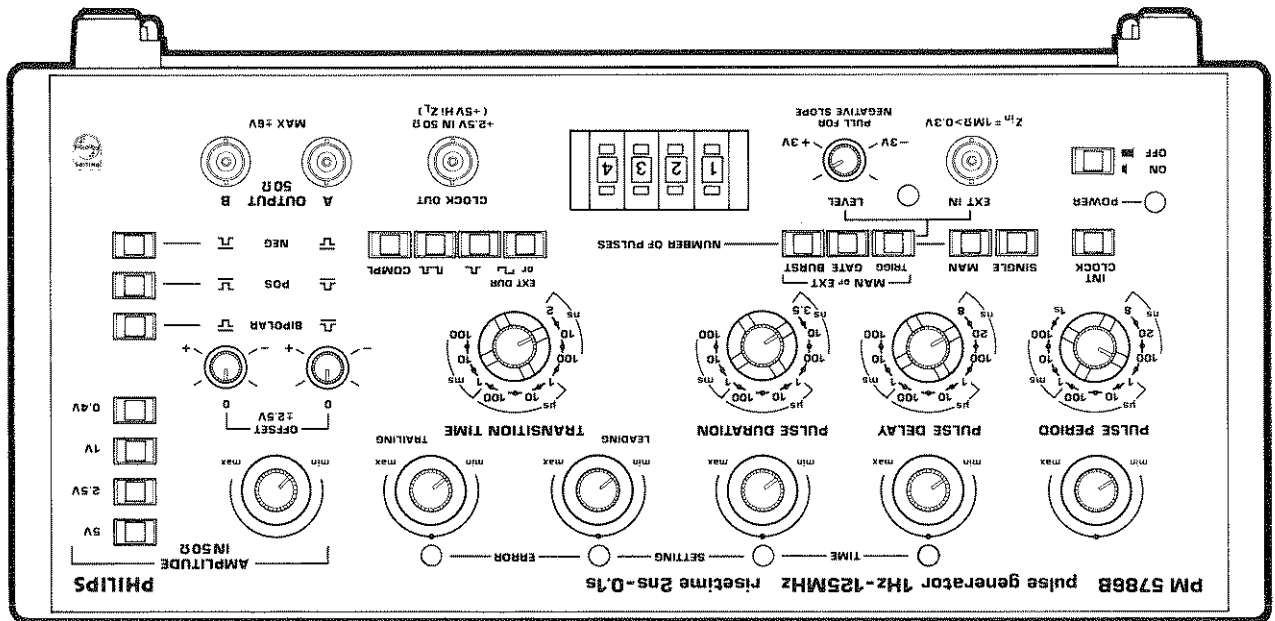
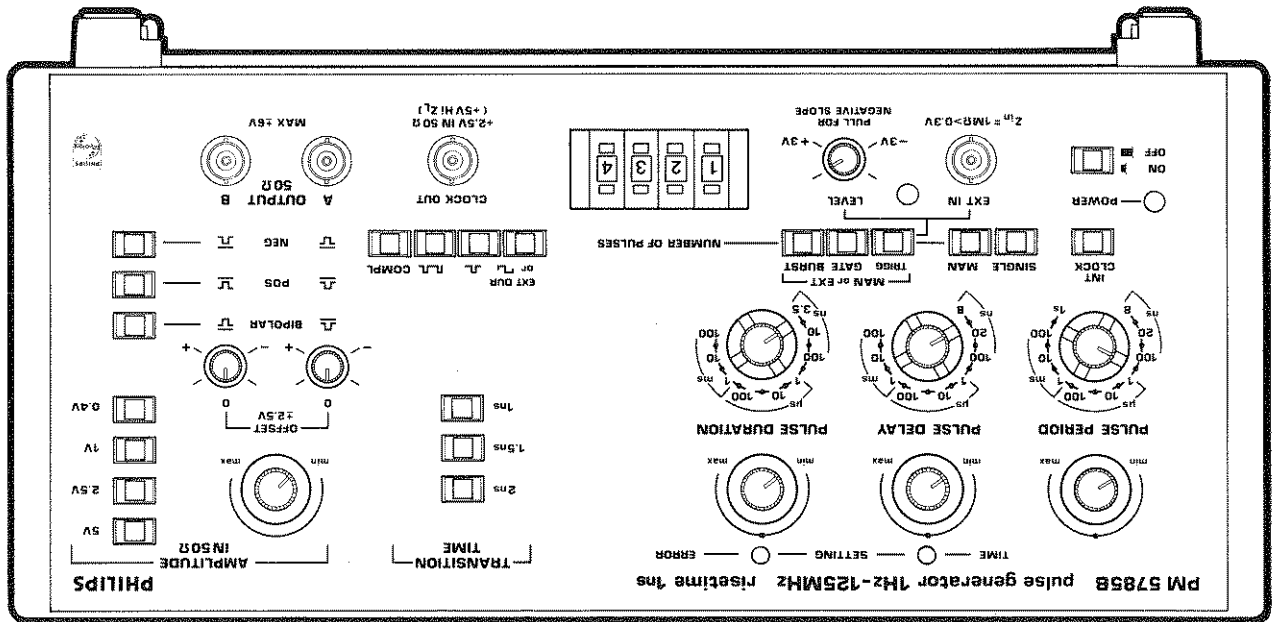
In normaler Tischposition wird der Impuls-generator durch Selbstbelüftung gekühlt. In anderen Betriebsstellungen empfiehlt es sich, einen Lüfter zu verwenden. Sorgen Sie dafür, daß die Luftzirkulation durch die Öffnungen auf der Ober- und Unterseite des Geräts nicht behindert wird. Zum Schrägstellen des Generators ist daher unterhalb eine klappbare Stütze angebracht.

BEDIENUNGSELEMENTE

Kapitel 3



BESCHREIBUNG DER BEDIENUNGSELEMENTE



POWER ON/OFF

Das Gerät wird durch Drücken Drücken des Netzschalters
POWER ON/OFF eingeschaltet. Dabei leuchtet auch
die gelbe LED oberhalb des Schalters auf.

Zeitparameter

INI CLOCK (interne Zeitbasis)

Vier Leuchtdioden warnen vor fehlerhaften Einstellungen der Zeitparameter. Jede einzelne zeigt an, daß der mit dem unterhalb liegenden Bedienungsgang eingestellte Wert (oder in gewissen Fällen schon ein früherer) unzulässig ist.

Externer Eingang

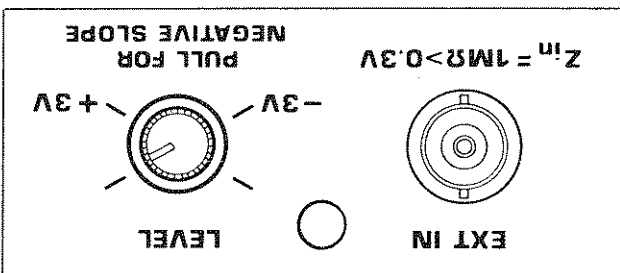


Abb. 3.1 Externer Eingang.

EXT IN

Der externe Eingang kann verwendet werden, um Impulse/Impulspare zu triggern, die interne Taktfrequenz zu tasten, einen Burst auszulösen (nur B-Versionen) oder die Ausgänge dem externen Eingangssignal synchron folgen zu lassen.

Der Eingang hat 1 M Ω Impedanz bei einer Empfindlichkeit von 500 mV_{SS}. Er ist für Signale mit niedriger Amplitude zur direkten Triggung durch ECL-Kreise ausgelegt, toleriert aber ohne Schaden zu nehmen auch Signale bis zu 260 V_{eff} bei maximal 440 Hz. Signale über 1 V triggern zwar den Generator, doch können sich dann Schwierigkeiten beim Einstellen der gewünschten Triggerpegel ergeben. In diesem Fall sind passive Koaxialabschwächer oder ein Oszilloskop-Tastkopf anzuschließen, um das Eingangssignal auf 0,5...1 V zu dämpfen.

LEVEL (Triggerpegel)

Zur stufenlosen Einstellung des Triggerpegels am externen Eingang von -5 V...+3 V. Bei gezogenem Drehknopf erfolgt die Triggung auf der negativen Flanke.

Zum Einschalten der internen Taktfrequenz. Die Taste ist mit den Eingangswähltasten TRIGG, GATE und BURST (nur B-Versionen) mechanisch verriegelt und hebt sowohl EXT IN wie MAN/SINGLE auf.

PULSE PERIOD (Periodendauer)

Einstellung der Impulsperiodendauer (Wiederholzeit) in neun Bereichen von 8 ns...1 s, mit Feinregelung innerhalb der einzelnen Bereiche. In jedem Bereich wird die obere und die untere Grenze angezeigt.

PULSE DELAY (Impulsverzögerung)

Einstellung der Verzögerungszeit in 8 Bereichen von 8 ns...100 ms, mit Feinregelung innerhalb der einzelnen Bereiche. Die Impulsverzögerung ist die Zeit zwischen der Anstiegsflanke eines Taktpulses und der Anstiegsflanke eines Einzeimpulses am Ausgang A (minus 13 ns, siehe Seite 4.2, Abb. 4.1). In der Betriebsart "Doppelimpulse" entspricht die Impulsverzögerung der Zeit zwischen den Anstiegsflanken eines Doppelimpulses.

PULSE DURATION (Impulsbreite)

Einstellung der Breite von Ausgangssignalen in 8 Bereichen von 3,5 ns...100 ms, mit Feinregelung innerhalb der einzelnen Bereiche.

TRANSITION TIME (Anstiegs- und Abfallzeit)

Auf den Generatoren PM 5785 ist die Anstiegs- und Abfallzeit der Ausgangsimpulse mit drei Tasten auf 2 ns, 1,5 ns oder 1 ns einzustellen. Die Generatoren PM 5786 erlauben eine Einstellung der Anstiegs- und Abfallzeiten in 8 Bereichen von 2 ns...100 ms. Dabei lassen sich Anstiegs- und Abfallflanke mit Hilfe der beiden Feinregler innerhalb des gewählten Bereichs unabhängig voneinander einstellen.

Triggepegel-Anzeige

Diese Leuchtdiode zeigt den Status des Trigge- kreises an. Bei blinkender LED wird der Impuls- generator durch das Eingangssignal getriggert. Außerhalb des Triggeberbereichs ist die LED ent- weder aus- oder eingeschaltet, siehe Tabelle 3.1.

| | | |
|--------------|-----------------------------|-----------------------------|
| LED -Zustand | Positive Flanke | Negative Flanke |
| EIN | Eingestellter Pegel zu hoch | Eingestellter Pegel zu tief |
| BLINKEN | Pegel im Triggeberbereich | Pegel im Triggeberbereich |
| AUS | Eingestellter Pegel zu tief | Eingestellter Pegel zu hoch |

Tabelle 3.1 Anzeige der eingestellten Trigge- pegel

Eingangswählhebeln

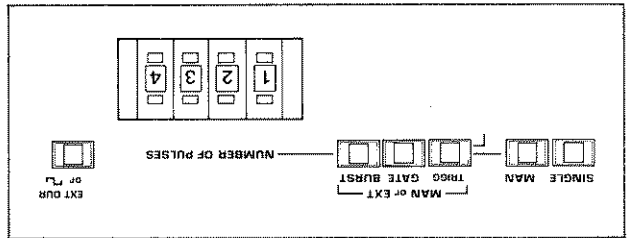


Abb. 3.2 Eingangswählhebeln und Burstschalter (nur B-Versionen).

SINGLE/MAN (Einzelimpuls/manuell)

Durch Drücken der Taste MAN wird der externe Eingang getrennt und die Taste SINGLE für folgendes freigegeben:

- Auslösung eines einzelnen Ausgangsimpulses oder -Impulsbares.
- Forsteuerung des internen Oszillators.
- Auslösung eines Burstsignals (B-Versionen).

TRIGG (Triggebetrieb)

Zur Einstellung auf Triggebetrieb. Jedes Einzel- oder externe Eingangssignal triggert einen Impuls oder ein Impulspar am Ausgang, sofern nicht die Taste EXT DUR gedrückt ist. Im letzteren Fall hängt die Breite des Ausgangs- impulses von derjenigen des Triggersignals ab.

EXT DUR (extern gesteuerte Impulsbreite)

Außer der oben genannten Funktion liefert diese Taste in Kombination mit INT CLOCK, GATE oder BURST Ausgangssignale mit einem Tastverhältnis von 0,5.

GATE (Forsteuerung)

Jedes Einzel- oder externe Eingangssignal startet den internen Oszillator. Bei Loslassen der Drucktaste SINGLE oder am Ende des externen Signals an EXT IN wird der Oszillator wieder ausgetastet. Ausgangssignale stehen somit während der Tastzeit zur Verfügung.

BURST (nur B-Versionen)

Zur Einstellung auf Burstbetrieb. Jedes Einzel- oder externe Eingangssignal löst einen Burst (d.h. eine Impulstreihe) aus. Die Zahl der Impulse ist mit den Burstschaltern (Rändel- rädern) einzustellen.

Taktgeberausgang



Abb. 3.3 Taktgeberausgang

Dieser Ausgang liefert ein positives Rechteck- signal mit einem Tastverhältnis von 0,5. Abge- schlossen mit 50 Ohm beträgt seine Amplitude 2,5 V. Da das Signal vor dem Verzögerungskreis abgenommen wird, kann es zur Vortriggierung dienen.

Die beiden OFFSET-Potentiometer ermöglichen eine Nullpegelverschiebung von $-2,5V \dots +2,5V$ bei 50 Ohm Impedanz. Die Einstellcharakteristik der Potentiometer erleichtert es, die Nullpegelverschiebung aufzuheben.

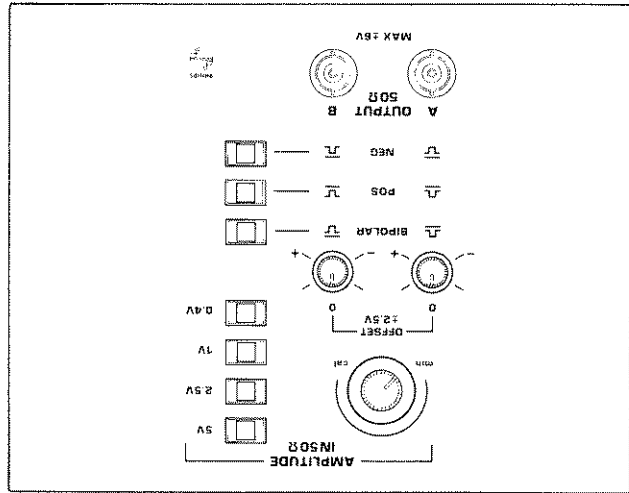


Abb. 3.5 Einstellorgane für Amplitude und Nullpegelverschiebung.

Hauptausgänge A und B

Bei den PM 5785 sind die beiden Ausgänge komplementär mit gleichen Anstiegs- und Abfallzeiten. Die Generatoren PM 5786 hingegen verfügen über getrennt einzustellende Anstiegs- und Abfallzeiten, die normalerweise für den Ausgang A gelten. Siehe Kapitel 4, "Ausgänge".

BIPOLAR

Die bipolare Betriebsart liefert positive Impulse an Ausgang A und dazu komplementäre negative Impulse an Ausgang B, beide mit der vorgewählten Nullpegelverschiebung.

POS

Liefert ein Paar komplementäre positive Ausgangsimpulse, beide mit der vorgewählten Nullpegelverschiebung.

NEG

Wie oben, jedoch mit negativen Ausgangsimpulsen. Beachten Sie, daß bei den Generatoren PM 5786 die Anstiegszeit nun für den Ausgang B gilt.

Impulswahllasten

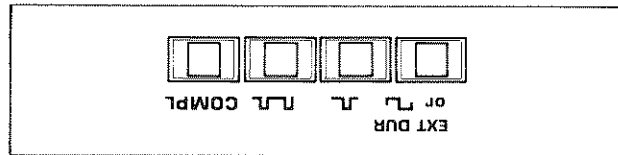


Abb. 3.4 Impulswahllasten

Symmetrische Impulse

Diese Taste liefert zusammen mit INT CLOCK, GATE oder BURST Ausgangsimpulse mit einem Tastverhältnis von 0,5, und zwar ohne erneute Einstellung von Verzögerung und/oder Impulsbreite.

Einzelimpulse

Einstellung auf normale Betriebsart. Die Impulsbreite ist die auf dem Generator vorgewählte. Beachten Sie, daß die erzeugten Impulse gegenüber den internen Takgeber- oder externen Triggersignalen verzögert sind.

Doppelimpulse

Die Zeit zwischen den Anstiegsflanken der Doppelimpulses entspricht der eingestellten Verzögerung PULSE DELAY.

COMPL (Komplementärimpulse)

Mit dieser Taste können die logischen Pegel der Impulse an den Ausgängen A und B umgekehrt werden, ohne die Nullpegel der Impulse zu ändern. Siehe Kapitel 4, Abb. 4.8. Beachten Sie, daß bei den Generatoren PM 5786 die Anstiegszeiten nun für den Ausgang B gelten.

Amplitude und Nullpegelverschiebung

Die Ausgangsamplitude kann mit Wahllasten und einem Feineinsteller in vier Bereichen abgeschwächt werden. Die angezeigte Ausgangsspannung gilt für eine Belastung von 50 Ohm. Bei offenem Ausgang sind die Amplituden im allgemeinen doppelt so hoch wie der angezeigte Wert, aber auf $\pm 6V$ begrenzt.

GRUNDLEGENDE EINSTELLUNGEN

Im folgenden wird kurz die Einstellung einer Reihe von typischen Betriebsarten erläutert.

Grundeneinstellung

Die Grundeneinstellung liefert repetitive Impulse des internen Taktegebers mit einem Lastverhältnis von 0,5.

- Tasten INIT CLOCK und EXT DUR drücken.

- Gewünschte Periodendauer einstellen.

- Anstiegs- und Abfallzeiten um eine Größenordnung kürzer als die Periodendauer einstellen.

- Ausgangsampie und Ausgangspolarität wählen.

- Einen Oszillator an Ausgang A anschließen und durch das interne Taktsignal von CLOCK OUT triggern.

Repetitive Einzelimpulse

Gehen Sie von der Grundeneinstellung aus.

- Verzögerung PULSE DELAY auf das Minimum zurückdrehen und die Impulsbreite PULSE DURATION auf weniger als die halbe Periode einstellen.

- Taste für Einzelimpulse drücken und LED-Fehleranzeige beobachten.

Repetitive Doppelimpulse

Gehen Sie von der Grundeneinstellung aus.

- Taste für Doppelimpulse drücken.

- Verzögerung PULSE DELAY erhöhen und wenn notwendig die Impulsbreite PULSE DURATION verringern, bis die beiden Impulstreifen voneinander getrennt sind.

Extern getriggerte Impulse

Gehen Sie von der Grundeneinstellung aus.

- Taste TRIGG drücken und überprüfen, daß die Taste MAN gelöst ist.

- Signalquelle an den externen Eingang legen.

Zur Beachtung: max. 15 Vss bei hohen Frequenzen.

- Drehkopf LEVEL nachregeln, bis die LED durch Blinken die Triggertung anzeigt.

Extern getastete Impulse

Gehen Sie von der Einstellung für extern getriggerte Impulse aus.

- Taste GATE drücken.

Burst (nur B-Versionen)

Gehen Sie von der Einstellung für extern getriggerte Impulse aus.

- Taste BURST drücken.

- Gewünschte Anzahl von Impulsen mit den Burstschaltern (Rändelrädern) einstellen.

- Überprüfen, daß die Frequenz der externen Signallquelle mit Rücksicht auf die Burstdauer nicht zu hoch ist.

Manuell getriggerte Impulse

Gehen Sie von der Grundeneinstellung aus.

- Tasten MAN und TRIGG drücken.

- Einfach- oder Doppelimpulse wählen.

Jedes Betätigen der Taste SINGLE löst nun einen Einzel- bzw. Doppelimpuls aus. Bei gleichzeitiger Einstellung auf EXT DUR wechseln die Nullpegel, solange SINGLE gedrückt bleibt.

Manuell getastete Impulse

Gehen Sie von der Grundeneinstellung aus.

- Tasten MAN und GATE drücken.

Die Ausgangssignale werden nun durch Betätigen der Taste SINGLE getastet.

Manueller Burst (nur B-Versionen)

Gehen Sie von der Grundeneinstellung aus.

- Tasten MAN und BURST drücken.

Bei jedem Betätigen von SINGLE wird nun je ein Burst ausgelöst.

Extern gesteuerte Impulsbreite

Gehen Sie von der Einstellung für extern getriggerte Impulse aus.

- Taste EXT DUR drücken. Die Länge des Triggersignals bestimmt die Dauer des Ausgangssignals.

FEHLERSUCHEN?

Verwendung von CLOCK OUT als Triggerquelle

Das Einstellen einer neuen Messung erfordert gewöhnlich einiges Knopfdrücken, bevor die richtigen Parameter gefunden sind. Der Taktgeberausgang CLOCK OUT erleichtert diesen Vorgang. Gesteuert vom internen Oszillator liefert CLOCK OUT immer ein Rechtecksignal von 2,5 V Amplitude - unabhängig von den eingestellten Werten wie Verzögerung, Impulsbreite, Anstiegs- und Abfallzeiten, Amplitude, Nullpegel und Polarität.

Einstellung der Zeitparameter

- Beginnen Sie mit der Periodendauer PULSE PERIOD.
- Falls mehrere LED aufleuchten, ist der Zeitparameter unter der am weitesten links gelegenen herabzusetzen.
- Zur Feineinstellung einen Oszillator an Eingang A anschließen.
- Ist zur Messung ein Vortrigger notwendig, verwenden Sie CLOCK OUT.
Zur Beachtung: Um Impulsverzerrungen zu vermeiden - Ausgang mit einem 50 Ohm Widerstand abschließen.

Das Instrument liefert keine Ausgangssignale

- Fehleranzeige überprüfen - wenn nötig, die Zeiteinstellungen ändern.
- Sehen Sie nach, welche Art der Triggerung gewählt wurde:
- Taste INT CLOCK drücken.
* Der Generator sollte nun Impulse liefern; verwenden Sie den Taktgeberausgang CLOCK OUT zur leichteren Triggerung.

* TRIGG, GATE oder BURST - manuell (Taste MANUAL gedrückt).
- Taste SINGLE drücken.
* TRIGG, GATE oder BURST - extern (Signal an EXT IN)
- Blinkt die Trigger-LED? Wenn nicht, Triggerpegel nachstellen.

- Ist das Eingangssignal zu schwach?
- Hat das Eingangssignal eine zu niedrige Frequenz?
- Ist die Impulszahl des Burst (nur B-Versionen) auf 0000 eingestellt?

Irreguläre Form des Ausgangssignals

- Fehleranzeige beobachten - falls notwendig die Zeitparameter von links beginnend nachregeln.
- Oszillator mit dem CLOCK OUT-Signal triggern, um maximale Stabilität zu erzielen.
- Impuls wird an der ± 6 V - Grenze abgeschnitten. Amplitude oder Nullpegel nachstellen.
- Das Ausgangssignal kann sehr wohl gerade an der Grenze einer LED-Fehleranzeige abgeschnitten werden.

- Bei den PM 5786 kann sich durch zu lange Anstiegs- und Abfallzeiten eine Sägezahnspannung mit niedriger Amplitude ergeben, ohne daß die LED aufleuchten.
- Belastungsimpedanz kontrollieren - nur 50 Ohm Belastungen ergeben eine saubere Signalform.
- Kabelimpedanz kontrollieren - verwenden Sie nur 50 Ohm Kabel.
- Kabelanschlüsse, T-Stücke usw. überprüfen.
- Möglicherweise wird der Generator durch das externe Eingangssignal nicht korrekt getriggert. Die Empfindlichkeit des externen Eingangs eignet sich nur zur direkten Triggerung durch (ECL)-Signale mit niedriger Amplitude. Signale über 1 V triggern zwar den Generator, doch können sich dann beim Einstellen der gewünschten Triggerpegel Schwierigkeiten ergeben und Ausgangssignale mit unerwarteten Formen auftreten. In diesem Fall ist ein passiver HF-Koaxialabschwächer (X10) oder ein Oszilloskoplastkopf anzuschließen, um das Eingangssignal zu dämpfen.

Falsch eingestellte Zeitwerte

Unzulässige Zeiteinstellungen werden durch Leuchtperioden angezeigt. Jede LED ist dem unterhalb liegenden Bedienungsorgan zugeordnet.

Wenn mehr als eine LED aufleuchtet, beginnen Sie mit der Nachstellung von links. Bei den PM 5786 führen nämlich zu lange Impulsverzögerung oder Impulsdauer häufig zur Anzeige von fehlerhaften Anstiegs- und Abfallzeiten.

FUNKTIONSBESCHREIBUNG

Kapitel 4



FUNKTIONSBESCHREIBUNG

Externer Eingang (EXT IN)

Dieser Eingang wird für verschiedene Betriebsarten wie externe Triggung und Tastung, extern gesteuerte Impulsbreite und Burstimpulse (nur B-Versionen) verwendet. Die Triggung kann wahlweise auf der positiven oder negativen Flanke des Eingangssignals erfolgen. Außerdem läßt der Triggerpegel von $-3V_{CC} + 3V$ ein- stellen. Um deutlich zu machen, daß der Ausgang tatsächlich getriggert wird, haben die Generatoren eine LED-Anzeige. Diese Leuchtdiode blinkt, wenn der Triggerpegel korrekt eingestellt ist. Bei zu hohem oder zu niedrigem Pegel ist die hingegen ein- bzw. ausgeschaltet, siehe Tabelle 4.1.

| | | | |
|---------|---------------|---------------|----------|
| LED | Positive | Negative | -Zustand |
| EIN | Eingestellter | Eingestellter | EIN |
| BLINKEN | Pegel im | Pegel im | BLINKEN |
| AUS | Eingestellter | Eingestellter | AUS |

Tabelle 4.1 Anzeige der eingestellten Triggerpegel.

Das Eingangssignal wird im Eingangskreis um einige Nanosekunden verzögert. Diese Verzögerungszeit ist jedoch nicht konstant, sondern schwankt mit der Signalamplitude und dem eingestellten Triggerpegel.

Die Gesamtverzögerung zwischen Trigger-signal und Ausgangssignal jeder Impulsform hängt von der gewählten Betriebsart ab. Genaue Angaben finden Sie in den nachstehenden Abschnitten.

Externe Triggung

Bei jeder Triggung durch ein externes Eingangssignal wird ein Ausgangssignal ausgelöst. Mit Hilfe von Impulswahlstäben kann man den Betrieb auf extern gesteuerte Impulsbreite sowie Einfach- oder Doppelimpulse einstellen. Die zeitliche Differenz des Triggersignals gegenüber den Taktgeber- und Ausgangssignalen ist jedoch je nach Betriebsart verschieden, siehe Abb. 4.1.

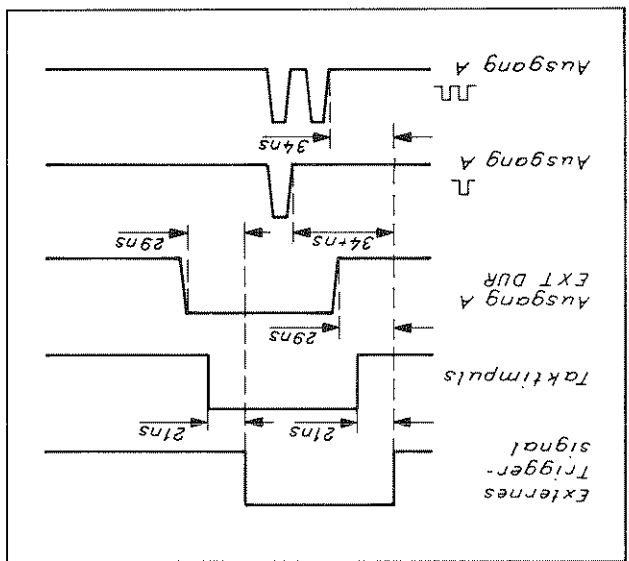
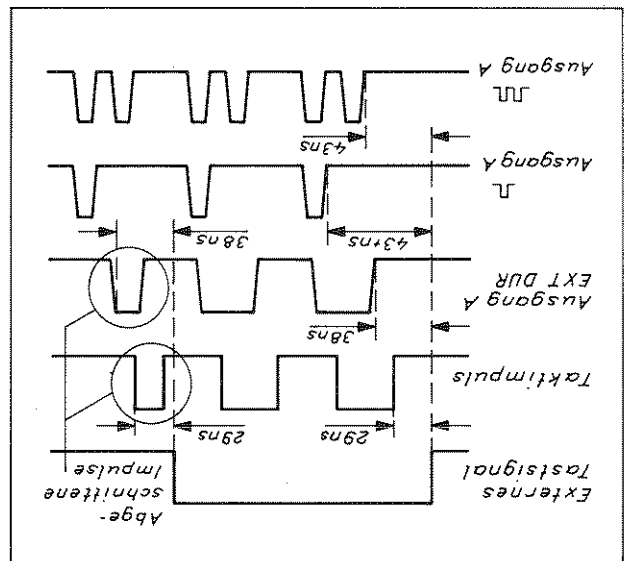


Abb. 4.1 Impulsablauf bei externer Triggung (Nennwerte).

Externe Tastung

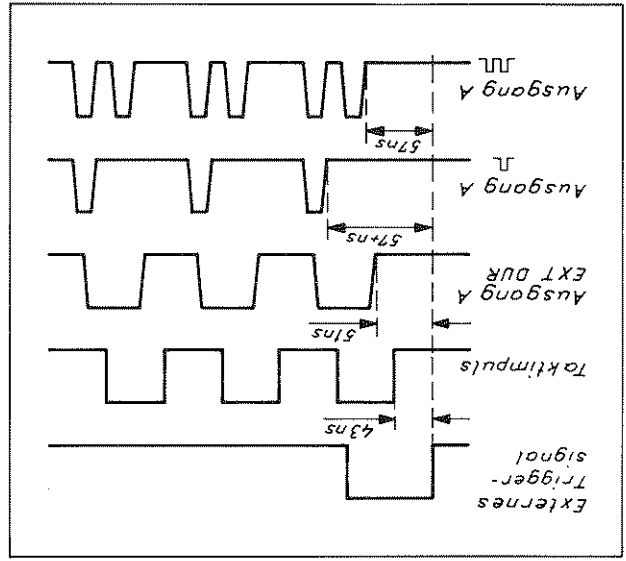
Das externe Tastsignal schaltet den internen Taktgeber an, der dann bis zum Ende des Tastsignals weiterläuft. Dabei werden einfache oder doppelte Ausgangssignale grundsätzlich zu Ende geführt, während Taktimpulse und symmetrische Ausgangssignale (Lastverhältnis 0,5) abgeschalteten werden können. Siehe dazu auch Blockschaltbild 4.13 und Abb. 4.2 unten. Bei einer Periodendauer von über 1µs verlängern sich die angegebenen Verzögerungszeiten um etwa 5 ns.

Abb. 4.2 Impulsablauf bei externer Lastung (Nennwerte).



Ein Burst kann entweder manuell oder durch ein externes Eingangssignal ausgelöst werden. Die Burststeuerung läßt den internen Taktgeber anlaufen und die Taktimpulse zählen, siehe Block-

Abb. 4.3 Impulsablauf bei Burstbetrieb, Nennwerte (nur B-Versionen).



Ist die Zahl der voreingestellten Taktimpulse erreicht, so stoppt der interne Taktgeber und das letzte Ausgangssignal wird zu Ende geführt. Abb. 4.3 zeigt die verschiedenen Verzögerungszeiten zwischen einem externen Taktimpuls und dem ersten Ausgangssignal. Bei einer Periodendauer von über 1 µs verlängern sich die angegebenen Verzögerungszeiten um etwa 5 ns.

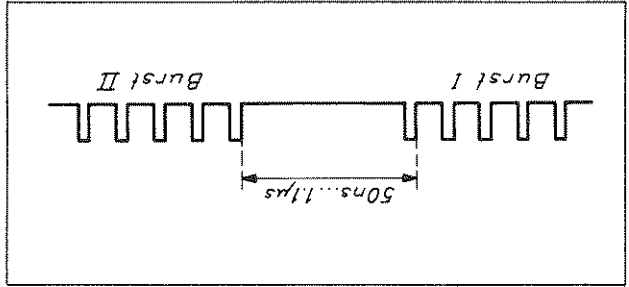
Manueller Betrieb

Bei manueller Forsteuerung wird durch Drücken von SINGLE der interne Taktgeber gestartet, durch lösen der Taste wieder gestoppt. Im manuellen Burstbetrieb werden durch Drücken von SINGLE der interne Taktgeber und die Impulszählung gestartet. Der Taktgeber stoppt, wenn die voreingestellte Impulszahl des Bursts erreicht ist.

Zur externen Steuerung der Impulsbreite sind die Wähltaasten MAN, TRIGG und EXT DUR zu betätigen. Der Ausgang ist so lange eingeschaltet, wie die Taste SINGLE gedrückt bleibt.

Zur Beachtung: Anstelle der Taste SINGLE bei manuellem Betrieb kann in vielen Fällen die Triggerflankenkontrolle ohne externes Eingangssignal verwendet werden, um die oben genannten Prozeduren vorzunehmen.

Abb. 4.4. Mindestabstand zwischen zwei Burstsignalen.



Der Mindestabstand zwischen zwei aufeinanderfolgenden Burstsignalen hängt von der gewählten Periodendauer ab. In den Bereichen 8..20 ns, 20..100 ns und 100 ns..1 µs ist der Abstand etwa gleich der eingestellten Periodendauer, aber niemals kürzer als 50 ns (siehe auch Abb. 4.4). In den sechs Bereichen mit längerer Periodendauer beträgt der Mindestabstand je nach Stellung des Feinreglers 0,1..1,1 µs.

Impulsverzögerung

Mit dieser Funktion läßt sich eine Verzögerung von 8 ns...100 ms zwischen der ersten und der zweiten Anstiegsflanke eines Impulsbares einstellen. In "normaler" Betriebsart entspricht die Impulsverzögerung etwa der Zeit zwischen der Anstiegsflanke eines Faktimpulses und der Anstiegsflanke des zugehörigen Einzelimpulses am Ausgang A. Die Abb. 4.1, 4.2 und 4.3 zeigen den zeitlichen Ablauf von Einfach- und Doppelimpulsen im Verhältnis zu externen Signalen und internen Faktimpulsen.

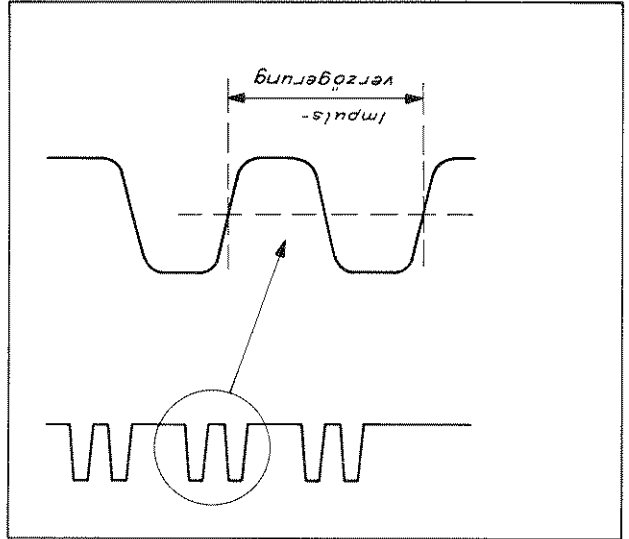


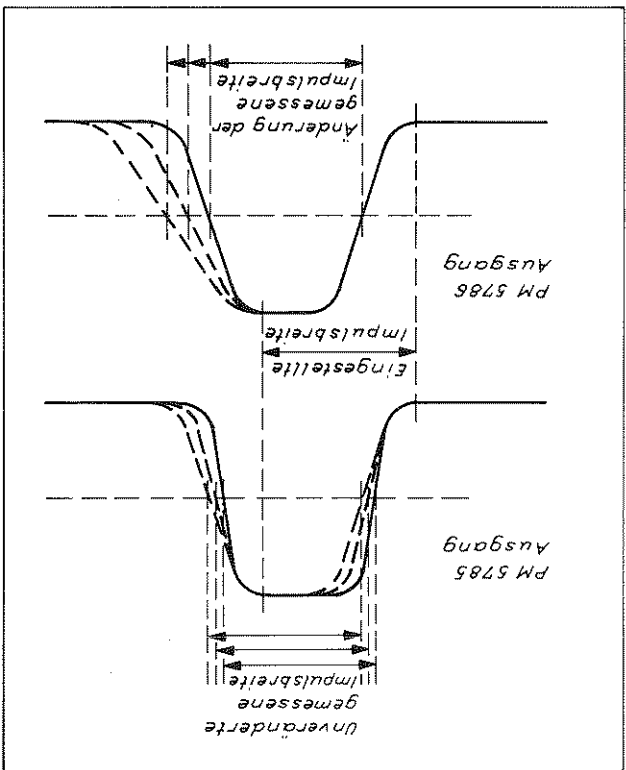
Abb. 4.5 Impulsverzögerung.

Impulsbreite

Diese Variable entspricht dem Abstand vom Beginn der ansteigenden bis zum Beginn der abfallenden Flanke und ist von 3,5 ns...100 ms einstellbar. Werden Anstiegs- und Abfallzeit, wie bei den Generatoren PM 5785, zusammen geändert, bleibt die Impulsbreite, gemessen bei 50% der Amplitude, unabhängig von der Flankensteilheit gleich. Bei den PM 5786 differiert die gemessene Impulsbreite vom eingestellten Wert, wenn Anstiegs- und Abfallzeit unabhängig voneinander geändert werden.

Siehe Abb. 4.6.

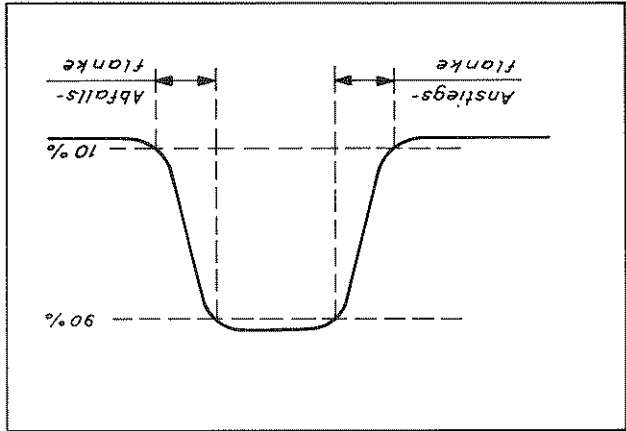
Abb. 4.6 Definition der Impulsbreite.



Anstiegs- und Abfallzeit

Darunter ist jene Zeit zu verstehen, die ein Impuls benötigt, um von 10 auf 90% bzw. von 90 auf 10% seiner Amplitude zu gehen. Die PM 5785 haben nur drei für beide Flanken gemeinsame Festwerte, die mit drei Wählrasten einzustellen sind. Bei den PM 5786 können die Anstiegs- und Abfallflanken mit zwei feinreglern unabhängig voneinander innerhalb eines Dekadenbereichs eingestellt werden.

Abb. 4.7 Definition von Anstiegs- und Abfallzeiten.



Die Ausgangsstufe ermöglicht die Umschaltung zwischen den drei folgenden Impulsarten:

- Bipolare komplementäre Impulse für analoge Applikationen.
- Positive komplementäre Impulse für positive Digitallogik (TTL).
- Negative komplementäre Impulse für negative Digitallogik (ECL).

Siehe Abb. 4.9.

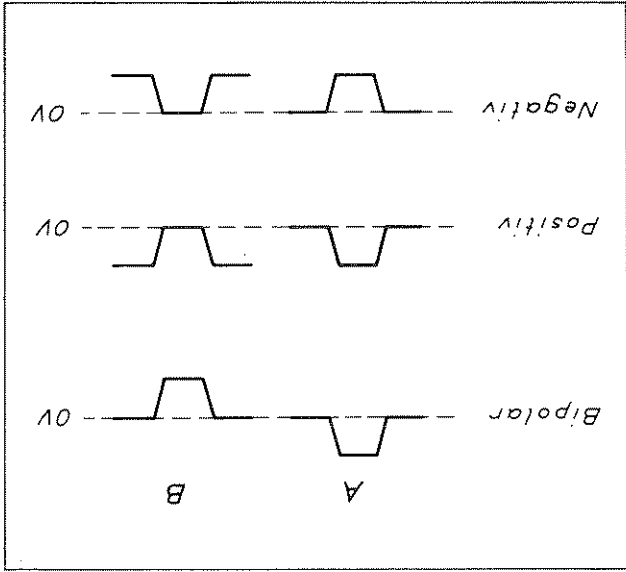


Abb. 4.9 Ausgangsimpulsarten.

Ausgangsstufe

Die stufenlose Amplitudeneinstellung ist eigentlich ein dem Ausgang vorgeschalteter Verstärkungsglied. Wie man auf Abb. 4.10 erkennt, üben die eingestellten Anstiegs- und Abfallzeiten auch bei Nachregeln der Amplitude unverändert.

Taktgeberausgang (CLOCK OUT)

Die Anstiegs- und Abfallzeiten der PM 5785 werden von zwei schaltbaren passiven Filtern hinter jeder Ausgangsstufe erzeugt. Sind sämtliche dieser Filter weggeschaltet, beträgt die Anstiegs- und Abfallzeit 1 ns. Bei den PM 5786 werden die Anstiegs- und Abfallzeiten von einem Rampengenerator erzeugt und sind unabhängig von der Amplitude. Siehe auch Abb. 4.10.

Wie aus dem Blockschaltbild 4.13 ersichtlich, liegt der Taktgeberausgang CLOCK OUT hinter dem Oszillator, aber vor den Schaltkreisen für Impulsverzögerung und Impulsbreite. Der Taktgeberausgang ist sehr nützlich als Vortrigger. Da die internen Betriebsarten unabhängig von allen Einstellungen immer Ausgangssignale mit einem Tastverhältnis von 0,5 liefern, bietet er eine sehr einfache Möglichkeit, die Impuls-wiederholfrequenz zu überwachen. Der Taktgeber generiert sehr schnelle Impulse mit Anstiegs- und Abfallzeiten von ca. 1 ns und einer Amplitude von 2,5 V an 50 Ohm.

Ausgangssignale

Die beiden Ausgänge A und B liefern immer komplementäre Ausgangssignale. Beachten Sie, daß die eingestellten Anstiegs- und Abfallzeiten der PM 5786 normalerweise für den Ausgang A gelten, nach Drücken der Taste COMPL hängen für den Ausgang B.

Siehe Abb. 4.8.

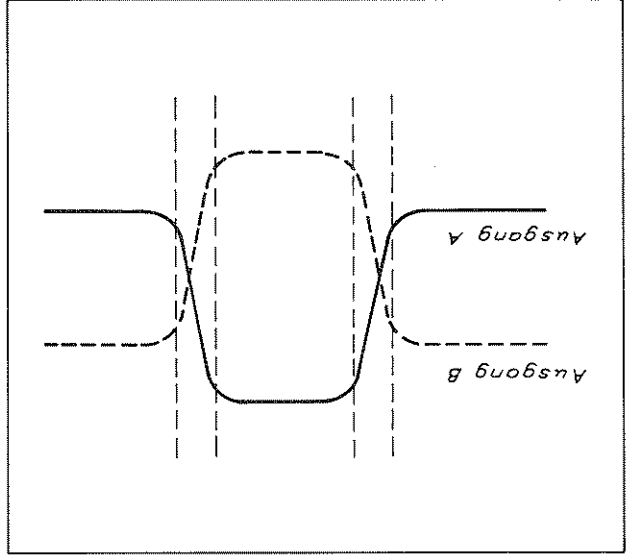
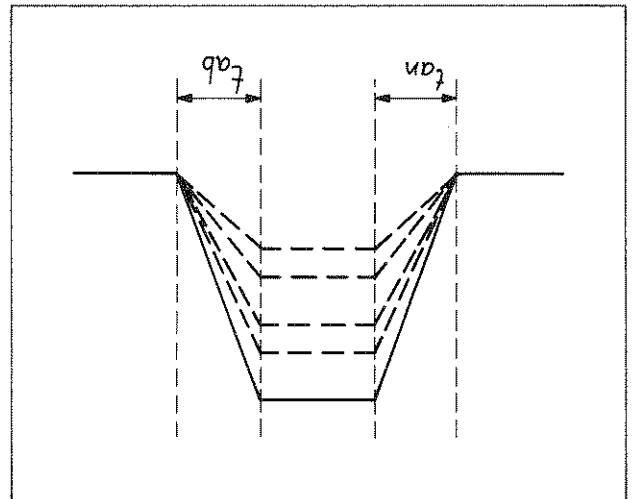


Abb. 4.8 Komplementäre Impulse mit Nullpegelverschiebung an den Ausgängen A und B.

Abb. 4.10 Anstiegs- und Abfallzeiten sind unabhängig von der Amplitude.

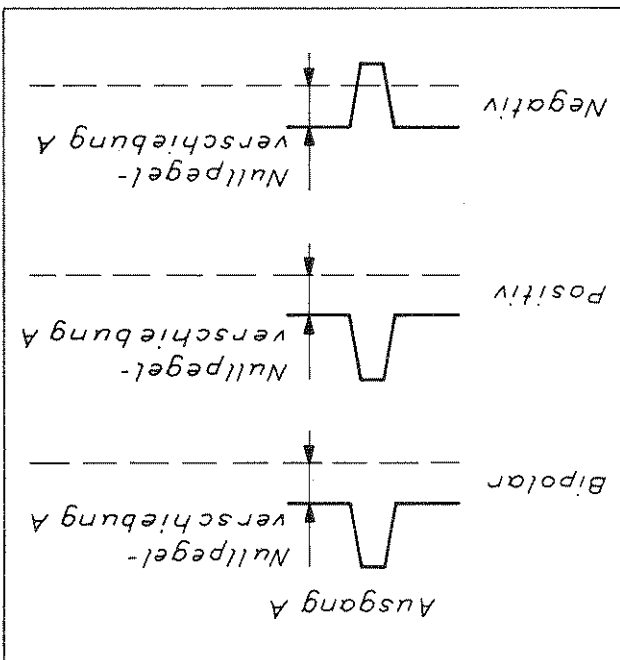


Hinter dem Ausgangsverstärker folgt ein Vierstufeniger, auf 50 Ohm Ausgangsimpedanz angepaßter Abschwächer. Die angezeigten Spannungswerte gelten nur für diese Belastung. Bei hohen Impedanzen ist eine Impulsamplitude von 10 V möglich, doch muß sich diese im Bereich von ± 6 V bewegen. Da im Betrieb nahe dieser Grenzen die Wellenform verzerrt werden kann, empfiehlt es sich, die Ausgangssignale auf einem Oszillator zu verfolgen.

Nullpegelverschiebung (Offset)

Diese an beiden Ausgängen einzeln regelbare Funktion gestattet die Verschiebung des Nullpegels um $\pm 2,5$ V an 50 Ohm Belastung. Durch den erweiterten Nullbereich der Einstellorgane wird die Abschaltung vereinfacht. Beachten Sie, daß unverändert bleiben, wenn zwischen bipolaren positiven und negativen Ausgangssignalen umgeschaltet wird, siehe Abb. 4.11.

Abb. 4.11 Nullpegelverschiebung bei verschiedenen Impulsen.



PM 5786
AUSGANGSSTUFE

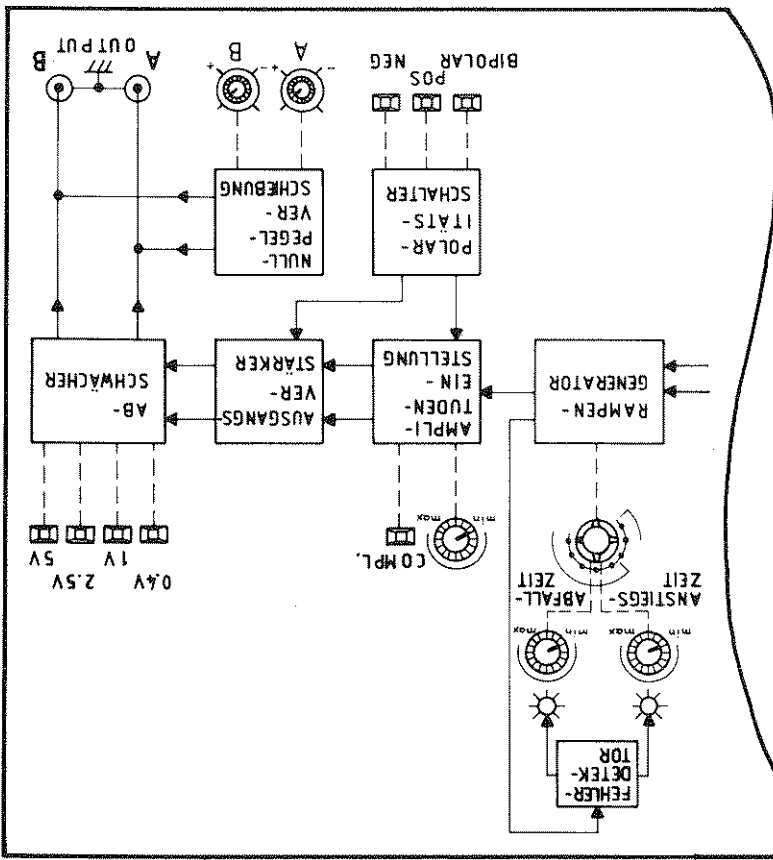
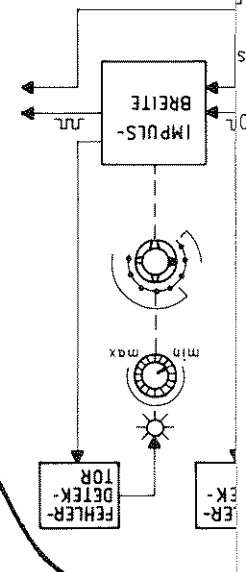
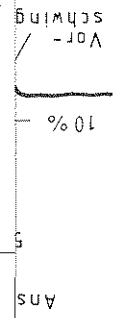
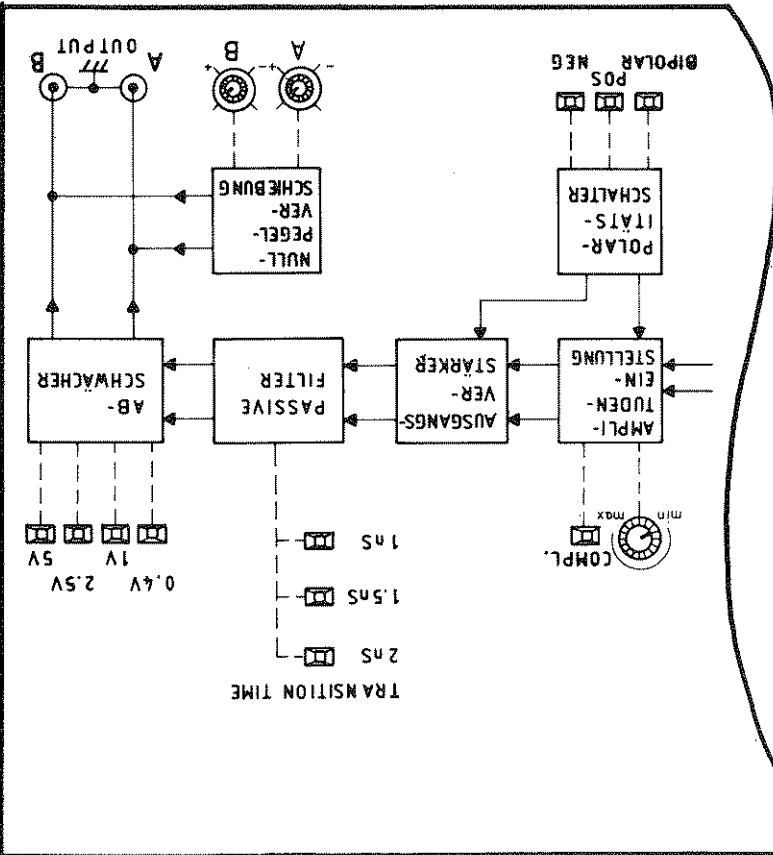


Abb. 4.12 In

PM 5785
AUSGANGSSTUFE





FUNKTIONSKONTROLLEN

Kapitel 5

EINLEITUNG

Die Funktionskontrollen dienen folgenden Zwecken:

- Überprüfung der Instrumentenspezifikationen.
- Übernahmekontrolle neu geeichteter oder neu gekaufter Instrumente.
- Nachkontrolle in bestimmten Zeitabständen, um festzustellen, ob das Gerät nachgeeicht werden muß.

Sämtliche Grenzwerte und Toleranzen in diesem Kapitel sind Richtlinien für die Eichung und nicht als Instrumentenspezifikation zu verstehen, es sei denn, sie scheinen auch in Kapitel 6 auf.

Sämtliche Tests sind frontseitig und ohne Öffnen der Geräte vorzunehmen.

Denken Sie an die vorgeschriebene Aufwärmzeit von 30 Minuten. Andernfalls können an bestimmten Punkten der Kontrolle falsche Ergebnisse auftreten.

Zur Beachtung: Wenn nicht anders angegeben, ist jeder Testabschnitt mit den gleichen Einstellungen zu beginnen, mit denen der vorhergehende abgeschlossen wurde.

Empfohlene Meßgeräte

- Oszilloskop: Zwei Kanäle, $T_r < 0,2$ ns.
- Zähler: Philips PM 6654 oder gleichwertig.
- Signalquelle: 100 kHz...50 MHz, 0,5 V...1 V, z.B. Philips PM 5715.

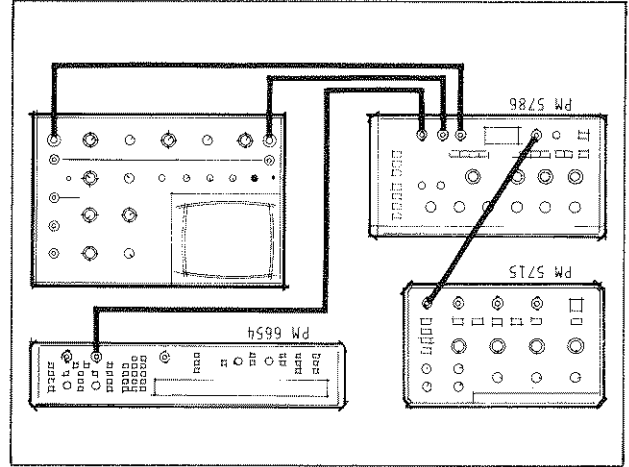


Abb. 5.1 Meßkonfiguration.

SPEZIFIKATIONSTEST

Netz

Vor dem Anschluß ist zu überprüfen, ob der Impulsgenerator auf die richtige Netzspannung eingestellt ist. Falls dies nicht der Fall ist, zuerst Kapitel 2 ("Inbetriebnahme") lesen und die Einstellung ändern. Vergewissern Sie sich auch, daß eine passende Sicherung verwendet wird.

Oszillator

Ausgang B über ein 50 Ohm Kabel an den Zähler anschließen. Der Zähler muß eine Eingangsimpedanz von 50 Ohm haben - andernfalls ist ein 50 Ohm Anschluß zu verwenden.

- PULSE DELAY und PULSE DURATION auf den niedrigsten Wert stellen.
- Tasten INT CLOCK und EXT DUR drücken.
- Kontrollieren, ob der Feineinsteller PULSE PERIOD sämtliche Bereiche deckt:

| | | |
|-----------------|-----------------|---------------------|
| 8 ns...20 ns, | 100 ns...1 µs, | (125 MHz...50 MHz). |
| 20 ns...100 ns, | 1 µs...10 µs, | (50 MHz...10 MHz). |
| 100 ns...1 µs, | 10 µs...100 µs, | (10 MHz...1 MHz). |
| 1 µs...10 µs, | 100 µs...1 ms, | (1 MHz...100 kHz). |
| 10 µs...100 µs, | 1 ms...10 ms, | (100 kHz...10 kHz). |
| 100 µs...1 ms, | 10 ms...100 ms, | (10 kHz...1 kHz). |
| 1 ms...10 ms, | 100 ms...1 s, | (1 kHz...100 Hz). |
| 10 ms...100 ms, | | (100 Hz...10 Hz). |
| 100 ms...1 s, | | (10 Hz...1 Hz). |

Externer Eingang

- Taste TRIGG drücken.
- Taste MAN muß gelöst sein.
- Externe Signalleiste mit 0,5 Amplitude, ca. 1 MHz Frequenz und ca. 200 ns Anstiegs- und Abfallzeit an den externen Eingang EXT IN legen. Nicht auf den 50 Ohm Abschluß verpassen.
- Potentiometer LEVEL langsam von -3 V bis +3 V drehen und kontrollieren, ob die LED von AUS über BLINKEN auf EIN wechselt.
- Durch Ziehen des Potentiometers LEVEL auf negative Flanke gehen und kontrollieren, ob die LED auch jetzt von AUS über BLINKEN auf EIN wechselt, wenn der Knopf langsam von -3 V bis +3 V gedreht wird.

Extern gesteuerte Impulsbreite

- Ausgang A an das Oszilloskop anschließen.
- Taste EXT DUR drücken.
- Kontrollieren, ob der Ausgangsimpuls die gleiche Breite wie das Eingangssignal (als solches möglichst ein Rechtecksignal verwenden) hat.

Torsteuerung

- Taste GATE drücken.
- Kontrollieren, ob der Ausgangsimpuls vom externen Eingangssignal getastet wird. Falls notwendig, die Periodendauer nachregeln, so daß man bei jedem Tastsignal einige Impulse erhalten erhält.

Burst (nur B-Versionen)

- Taste BURST drücken.
- Burstschalter auf 0003 stellen.
- Periodendauer auf 8 ns einstellen.
- Zahl der Ausgangsimpulse auf dem Oszilloskop überprüfen.
- Taste MAN drücken.
- Ausgang B an einen auf Ereigniszählung eingestellten Zähler anschließen. Periodendauer auf eine Frequenz einstellen, die der Zähler verarbeiten kann.
- Zahl der Impulse auf 1111 stellen.
- Taste SINGLE drücken und eingestellte Impulszahl mit der Zähleranzeige vergleichen.
- Wiederholen mit: 2222, 3333, 4444, 5555, 6666, 7777, 8888, 9999 und 0000.

Taktgeberausgang

- Taste INT CLOCK drücken.
- Ausgang CLOCK OUT an das Oszilloskop anschließen. Nicht auf den 50 Ohm Abschluß vergessen.
- Die Amplitude des Taktgebersignals muß 2,5 V betragen, die Anstiegszeit ca. 1 ns.

Impulsbreite

- Taste für Einzelimpulse drücken.
- Periodendauer auf 1...10 µs einstellen.
- Auf dem Oszilloskop überprüfen, ob die Einstellorgane PULSE DURATION die Bereiche von 3,5 ns...10 ns und 10...100 ns decken.

Impulsverzögerung

- Auf dem Zähler überprüfen, ob mit PULSE DURATION auch die übrigen sechs Bereiche bestrichen werden. Denken Sie daran, eine genügend lange Periodendauer einzustellen.

Fehleranzeige

- PULSE PERIOD auf 20 ns einstellen.
- Oszilloskop an Ausgang A anschließen und CLOCK OUT als Triggerequelle verwenden.
- Kontrollieren, ob die zugehörige LED aufleuchtet, wenn mit PULSE DELAY eine unzulässige Verzögerungszeit eingestellt wird. Innerhalb eines engen Bereichs ist die Fehleranzeige möglicherweise unsicher.

- Zur Beachtung: Im Doppelimpulsbetrieb werden zu kurze oder zu lange Verzögerungen durch die LED für die Impulsbreite PULSE DURATION angezeigt.
- Kontrollieren, ob die zugehörige LED aufleuchtet, wenn mit PULSE DELAY eine unzulässige Impulsbreite eingestellt wird. Innerhalb eines engen Bereichs ist auch hier die Fehleranzeige möglicherweise unsicher.

Zusätzliche Schritte für die Impulsgeneratoren PM 5786:

- PULSE PERIOD auf 8 ns einstellen, Tastenverhältnis 0,5 und eine Anstiegs- und Abfallzeit von 2 ns wählen.
- Potentialmeter LEADING (Anstiegsflanke) drehen, bis die LED aufleuchtet.
- Kontrollieren, ob die Impulsamplitude um 40...60% gefallen ist.
- Potentialmeter LEADING zurückstellen und auf gleiche Weise die Fehlerzeige für die Abfallflanke (Potentialmeter TRAILING) überprüfen.

Anstiegs- und Abfallzeit

Impulsverzerrungen

- PULSE PERIOD auf 300 ns einstellen.
- Anstiegs- und Abfallzeiten auf dem Oszilloskop mit den technischen Daten in Kapitel 6 vergleichen (Mindest- und Höchstwerte in den Bereichen 2..10 ns und 10..100 ns bei den Generatoren PM 5786).
- Bei den PM 5786 die Periodendauer erhöhen und die Höchst- und Tiefwerte der Anstiegs- und Abfallzeiten in den anderen sechs Bereichen überprüfen.

Ausgangsamplitude

- Die Ausgangsamplituden gelten grundsätzlich nur bei einer Belastung von 50 Ohm.
- Bipolare Betriebsart und 100 ns...1 µs Periode wählen, Anstiegs- und Abfallzeit auf das Minimum, sämtliche Feinregler auf das Maximum und den Nullpegel auf 0 V einstellen.
- Amplitude des Ausgangsimpulses bei 5 V, 2,5 V, 1 V und 0,4 V messen.

Impulspegel

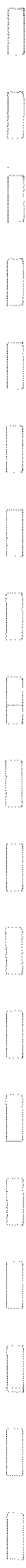
- Nullpegel der Ausgänge A und B mit dem Amplitudenfeinregler in Stellung "cal" (Maximum) in folgenden Betriebsarten messen:
 - BIPOLAR 5 V und KOMPL. BIPOLAR 5 V.
 - POSITIV 5 V und KOMPL. POSITIV 5 V.
 - NEGATIV 5 V und KOMPL. NEGATIV 5 V.
- Amplitudenfeinregler auf das Minimum zurückdrehen und die Kontrolle in bipolarer sowie komplementär-bipolarer Betriebsart wiederholen.

Nullpegelverschiebung

- Die Potentiometer OFFSET bis ganz rechts und links drehen und die Nullpegelverschiebung sowie die Grenzpegel messen.

TECHNISCHE DATEN

Kapitel 6



TECHNISCHE DATEN

Technische Daten mit Angabe der Toleranz werden von der Philips-Organisation in Ihrem Land garantiert. Numerische Werte ohne Toleranzangabe entsprechen denen eines durchschnittlichen Geräts in der gleichen Serie. Sämtliche Daten gelten erst nach einer 30 Minuten langen Aufheizung des Instruments bei 25°C Umgebungstemperatur.

Sicherheitsvorkehrungen

Konstruktion und Prüfung dieser Impulsgeneratoren entsprechen den Sicherheitsvorschriften für elektrische Meßinstrumente der Klasse 1 laut IEC 348. Die vorliegende Betriebsanleitung enthält Informationen und Warnungen, die befolgt werden müssen, um einen störungsfreien Betrieb zu gewährleisten und den sicheren Zustand der Geräte zu erhalten.

Zeitparameter

Periodendauer: 8 ns...1 s (1 Hz...125 MHz).
Impulsverzögerung: 8 ns...100 ms.
Impulsbreite: 3,5 ns...100 ms.
Anstiegs- und Abfallzeit: 1 ns \pm 10%, 1,5 ns \pm 10% oder 2 ns \pm 10% gemessen zwischen 10 und 90% der Impulsamplitude.
PM 5785: 2 ns \pm 10%...über 100 ms, gemessen zwischen 10 und 90% der Impulsamplitude.
PM 5786: Bei ECL-Tests wird die Anstiegs- und Abfallzeit zwischen 20 und 80% der Impulsamplitude gemessen. Mindestwert 0,7 ns (PM 5785) bzw. 1,4 ns (PM 5786).
Jitter: 0,1% der eingestellten Werte plus 50 ps.

Ausgangsdaten

Ausgänge: 2 Kanäle, A und B.
Impulsamplitude: 0,2 V...5 V bei $Z_L = 50 \Omega$, doppelte Amplitude bei offenem Ausgang, doch begrenzt auf ± 6 V.
Nullpegelverschiebung: -2,5 V...+2,5 V bei $Z_L = 50 \Omega$, -5 V...+5 V bei offenem Ausgang.
Max. Ausgangsspannung: Die Höchstgrenze von Impulsamplitude plus Nullpegelverschiebung beträgt ± 6 V bei $Z_L = 50 \Omega$. Bei offenem Ausgang ist eine max. Amplitude von 10 V möglich.
Kurveformverzerrung: Unter 5% \pm 10 mV.
- PM 5785: Unter 3% \pm 10 mV bei Anstiegs- und Abfallzeiten von mehr als 1,5 ns.
- PM 5786: Unter 10% \pm 10 mV bei Anstiegs- und Abfallzeiten unter 5 ns.
Quellwiderstand: 50 Ω \pm 5%
Quellimpedanz: PM 5785: 50 Ω \pm 5%. PM 5786: 50 Ω \pm 10%.
Überlastungsschutz: Kurzschluß- und Leerlaufest. Schutz vor transienten Stromspitzen (3000 mA/1 μ s, 600 mA/1 s).
Impulsarten: Einzelimpulse (verzögerbar durch Taktgeber)
Doppelimpulse
Impulse mit Lastverhältnis 0,5
 $\pm 1\%$ (1 Hz...1 MHz)
 $\pm 10\%$ (1 MHz...125 MHz)
Umschaltbar; komplementäre logische Pegel.
Bipolar (Positive und negative Komplementärimpulse).
Positiv (Positive Komplementärimpulse).
Negativ (Negative Komplementärimpulse).

Externe Betriebsarten

Triggerringung:

Externe Triggerringung von intern generierten Impulsen. Triggerringungsbereich 0...125 MHz.
Externe Lastung von intern generierten Impulsen.
Intern generierte Burstschnitte. Die Zahl der Impulse ist mit den Burstschnitten von 0...9999 einstellbar. Auslösung durch das externe Eingangssignal.
Diese Funktion liefert Impulse mit derselben Breite und Wiederhol-
frequenz wie das externe Eingangssignal. Alle übrigen Impulspara-
meter werden auf dem Generator eingestellt.

Topsteuerung:
Burst (nur B-Versionen):

Extern gesteuerte Impulsbreite:

Externer Eingang

Frequenzbereich:

0...1 MHz, Mindestimpulsbreite 3,5 ns.

Spannungsbereich:

0,5...15 V_{SS}.

Kopplung:

DC

Eingangsimpedanz:

1 M Ω / 25 pF.

Triggepegel:

-3 V...+3 V.

Positiv und negativ.

Triggerringung:

LED, blinkend bei korrekter Triggerringung.

Max. zulässige

Eingangsspannung:

260 V_{eff} bei 440 Hz fallend auf 15 V_{SS} bei 125 MHz.

Taktgeberausgang (CLOCK OUT)

Der Taktgeberausgang kann als

gegenüber verzögert sind.

Amplitude:

+2,5 V an 50 Ω m.

Ausgangsimpedanz:

50 Ω m (typisch)

Anstiegs- und Abfallzeit:

ca. 1 ns

Impulsbreite:

Impulse mit Tastverhältnis 0,5: \pm 1% (1 Hz...1 MHz)

\pm 10% (1 Hz...125 MHz)

Überlastungsschutz:

Kurzschluss- und Leerlaufschutz; Schutz vor transienten Stromspitzen.

Fehleranzeige

Unzulässige Einstellungen von Impulsverzögerung, Impulsbreite und (bei den Generatoren PM 5786) Anstiegs- und Abfallzeiten werden von vier Leuchtdioden angezeigt.

Stromversorgung

Netzspannung:

100 V, 120 V, 220 V oder 240 V \pm 10%; 50...60 Hz.

Leistungsaufnahme:

120 VA.

Sicherheit:

Entspr. IEC 348 und CSA 556B.

Netzstörungen:

Unter VDE 0871 B und MIL-STD 461 A.

Abmessungen

Höhe: 145 mm
Breite: 300 mm
Tiefe: 470 mm

Gewicht

Netto: 9,5 kg
Einschl. Verpackung: 11,5 kg

Umgebungsbedingungen

Die hier genannten Umgebungsbedingungen beruhen auf den Ergebnissen umfassender Prüfungen durch den Hersteller. Einzelheiten der Prüfverfahren und Fehlerkriterien erfahren Sie von der Philips-Organisation Ihres Landes oder von Philips, Scientific & Industrial Equipment Division, Eindhoven, Niederlande.

Klimatische Bedingungen

Umgebungstemperatur:
- Betrieb 0°C...+50°C.
- Transport und Lagerung -40°C...+70°C.
Feuchtigkeit:
- Betrieb 10...90% rel. Luftfeuchte, keine Kondensation.
- Transport und Lagerung 5...95% rel. Luftfeuchte.
Max. Höhe (Luftdruck):
- Betrieb 5000 m (53,5 kN/m²).
- Transport und Lagerung 15000 m (15,2 kN/m²).
Mechanische Typprüfung

Vibration

Stoßfestigkeit: Entspr. IEC 68-2-29 Eb.
Handhabung: Entspr. IEC 68-2-31 Ec.
Transport: Entspr. Philips Standard UN-D 1400.
Schlagfestigkeit: Entspr. MIL-T-28800.

Klimatische Typprüfung

Trockene Dauerhitze: Entspr. IEC 68-2-2 Bb.
Dauerkälte: Entspr. IEC 68-2-1 Ab.
Zyklisch feuchte Hitze: Entspr. IEC 68-2-30 Db.

ZUBEHÖR

Mitgeliefertes Standardzubehör

- Bedienungsanleitung
- Netzkabel
- Sicherung 0,8 A, träg
- Sicherung 1,6 A, träg

Wahlfreies Zubehör

- PM 9581 50 Ohm-Abschluß, 3 W.
- PM 9585 50 Ohm-Abschluß, 1 W.
- PM 9584 50 Ohm-T-Stück (Widerstandsmischglied).
- PM 8922 120 MHz, 50 Ohm-Tastkopf für Anschluß an externen Eingang.
- PM 9588 *) 50 Ohm-Koaxialkabelsatz mit geeichten Verzögerungszeiten.

*) Enthält die folgenden Kabel des Typs RG58/U mit BNC-Stecker:

| Anzahl | Verzögerung | Länge |
|--------|-------------|---------|
| 5 | 1 ns | 200 mm |
| 4 | 2 ns | 400 mm |
| 3 | 3 ns | 600 mm |
| 3 | 10 ns | 1980 mm |

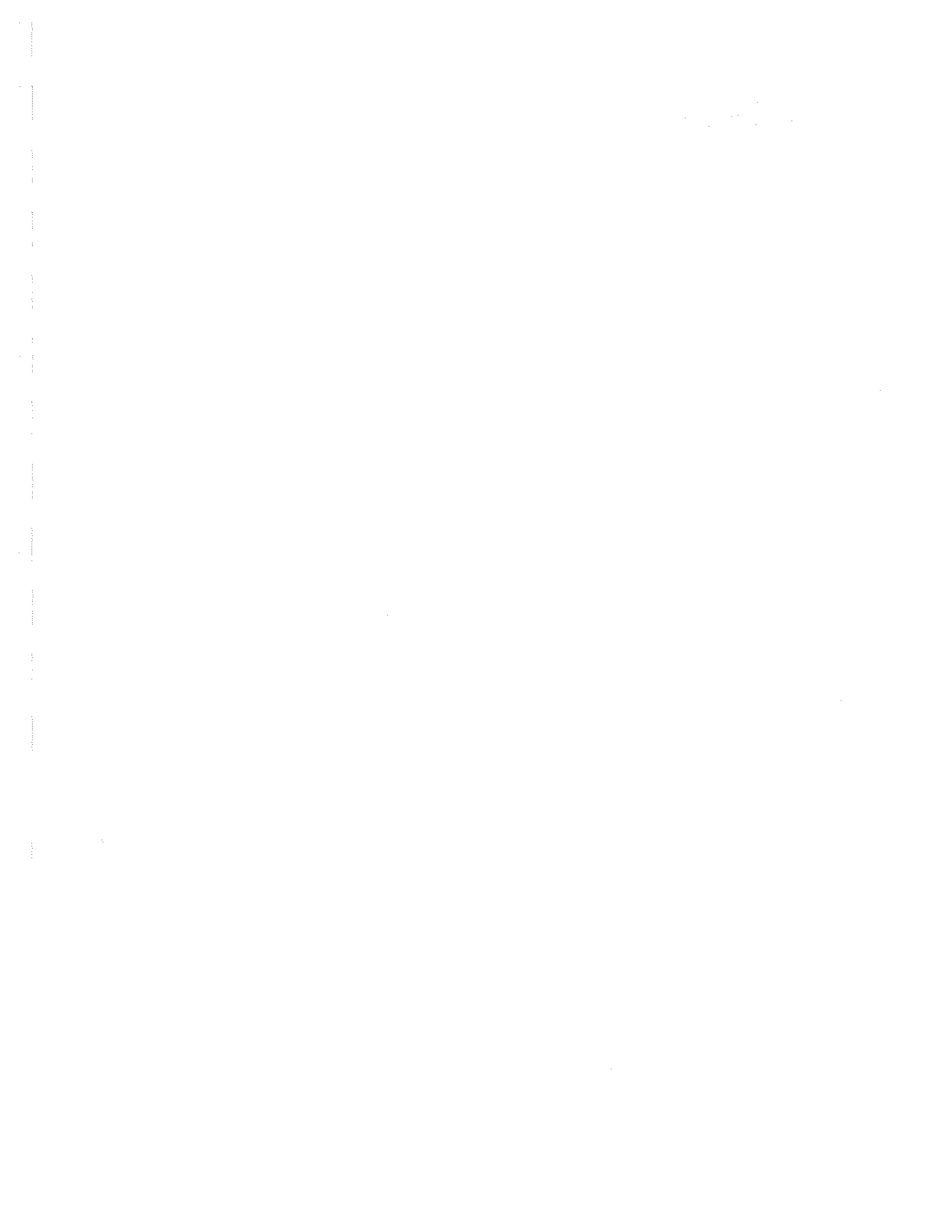


PHILIPS



Générateurs D'impulsions 125 MHz PM 5785 PM 5786

Manuel de l'opérateur



SOMMAIRE

Section 1 - INTRODUCTION 1-2

Section 2 - INSTALLATION

Précaution 2-2

Précautions de sécurité 2-2

En cas de doute concernant la sécurité 2-2

Mise à la terre 2-2

Ouverture du boîtier 2-2

Réglage de la tension du réseau 2-2

Fusibles 2-3

Orientation et refroidissement 2-3

Section 3 - DESCRIPTION DES COMMANDES 3-2

Les paramètres de temps 3-3

L'entrée extérieure 3-3

Les sélecteurs de mode d'entrée 3-4

La sortie d'horloge 3-4

Les sélecteurs de forme d'impulsion 3-5

Les sorties et leurs commandes 3-5

REGLAGES DE BASE DES COMMANDES 3-6

QUELLE EST L'ERREUR? 3-7

Section 4 - DESCRIPTION DES FONCTIONS 4-2

Schéma synoptique 4-7

Définitions de l'impulsion 4-7

Section 5 - CONTRÔLE DU FONCTIONNEMENT

INTRODUCTION 5-2

Équipement de test recommandé 5-2

TEST DES CARACTÉRISTIQUES 5-2

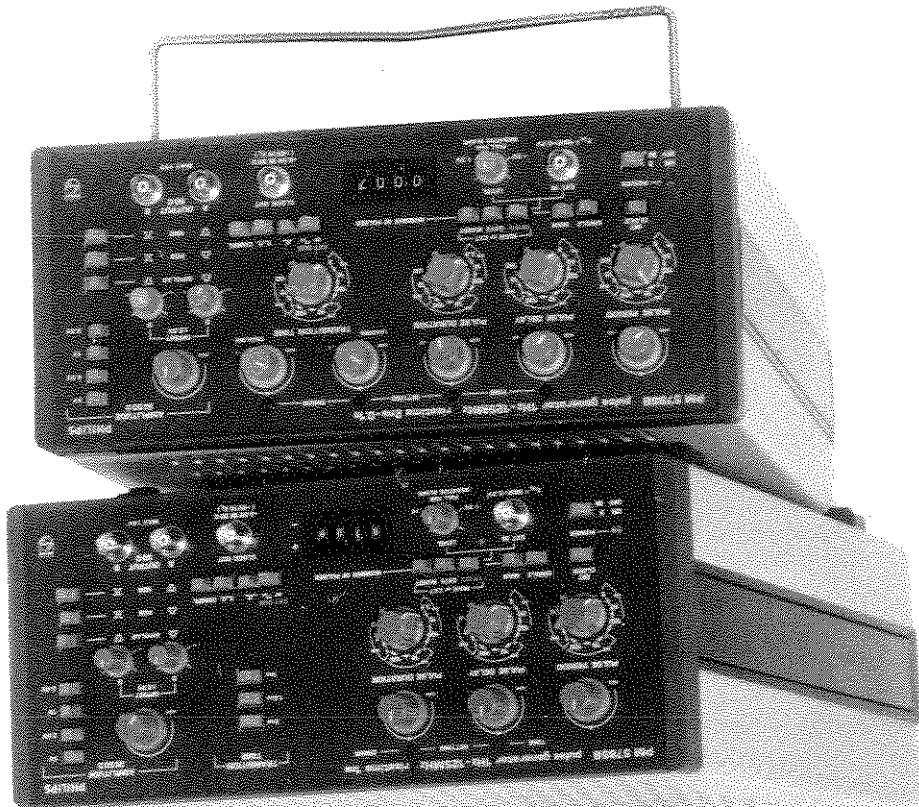
Section 6 - SPECIFICATIONS 6-2

ACCESSOIRES 6-5



Section 1
INTRODUCTION

INTRODUCTION



d'impulsion et pour les unités PM 5786, la commande des temps de montée et de descente.

Impulsions nettes et ultra-rapides

Les générateurs d'impulsion se caractérisent par un fonctionnement ultrarapide et extrêmement fidèle; idéal pour tous les tests de circuits TTL et ECL très rapides. Les temps de transition de 20 à 80% pour les tests de circuits ECL sont sélectionnables sur les unités PM 5785 à partir de 0,7 ns et variables sur les unités PM 5786 à partir de 1,4 ns.

Les sorties bipolaires de 5 V (sous 50 Ohms) et l'atténuateur de sortie de haute qualité à 4 gammes rendent ces générateurs appropriés à tous les types d'applications linéaires. La netteté des impulsions est garantie grâce aux excellentes impédances de compensation de 50 Ohms qui absorbent plus de 90% de toutes les réflexions provenant de charges non adaptées (autres que 50 Ohms).

Ces générateurs d'impulsions Philips à double sortie répondent aux exigences générales de rapidité pour les applications linéaires et numériques. L'unité PM 5785/85B se caractérise par des temps de transition de montée et de descente d'onde de sortie extrêmement rapides qui peuvent être ajustés en trois étapes. Une caractéristique des unités PM 5786/86B, avec une vitesse de 125 MHz/2 ns (sous 50 Ohms), est que les temps de transition de montée et de descente peuvent être ajustés indépendamment. La souplesse d'utilisation est assurée par un vaste choix de circuits de déclenchement et de porte des générateurs, par différents modes de sortie et, pour les versions "B", par un circuit de salves en forme d'onde réglable grâce à un bouton-poussoir.

La conception du panneau avant facilite l'utilisation, de même que des diodes témoins qui signalent les erreurs de réglage du temps. Ces diodes témoins évitent les sorties en forme d'onde erronées dues à des combinaisons incorrectes du retard d'impulsion, de la durée

acceptable est CC...125 MHz ou pour le mode de pulsation double, CC...62,5 MHz.

Porte extérieure

Le mode de porte extérieure est une commande "MARCHE/ARRÊT" de sortie du générateur. Tant que le signal de porte extérieure est présent, les formes d'onde de sortie sont disponibles avec les paramètres d'impulsions sélectionnés.

Salves

Les versions "B" permettent de générer des salves de forme d'onde de sortie contenant un nombre présélectionné d'impulsions, de 0 à 9999. Ces salves peuvent être déclenchées soit manuellement, soit par un signal d'entrée extérieure.

Commande extérieure de la durée

Le mode de commande extérieure de la durée permet de faire fonctionner les générateurs comme conditionneurs de signal d'entrée. Les signaux de l'entrée extérieure définissent la période des impulsions et leur durée, tandis que l'amplitude, le décalage, les temps de montée et de descente et les modes normal/complémentaire sont définis par les réglages du générateur d'impulsions.

Impulsion symétrique



Le mode de fonctionnement produit des formes d'onde avec un rapport cyclique constant de 0.5 et par conséquent, facilite l'utilisation des unités comme générateurs d'impulsion d'horloge ou comme une méthode rapide de recherche des fréquences de répétition de forme d'onde de sortie.

Diodes témoins d'erreurs de paramètres de temps

Des erreurs de réglage se produisent parce que, par exemple, la période d'impulsion peut être réglée pour moins de la somme des autres paramètres de temps sélectionnés. Des diodes témoins d'erreur indiquent quels réglages de paramètres de temps sont excessivement longs en fonction de la période d'impulsion.

Double sorties

Une sélection des sorties permet d'obtenir des formes d'ondes simultanées positives et négatives souvent nécessaires pour les applications bipolaires et linéaires, ainsi que des formes d'onde complémentaires positives ou négatives pour les applications numériques. Les formes d'onde des fiches de sortie A et B sont synchrones et sont à la même amplitude, cependant, les commandes du décalage du niveau de référence peuvent être utilisées pour des décalages individuels, chaque sortie sur ± 2.5 V (sous 50 Ohms).

Suppléance de sortie

Le choix de formes d'onde complémentaires bipolaires positives ou négatives offre une méthode facile de sélection de la sortie requise. Ceci élimine les manipulations des amplificateurs d'inversion et des commandes de décalage. Le commutateur COMPL (normal/complémentaire) permet également de modifier les niveaux logiques aux prises de sortie A et B sans affecter leurs polarités.

Entrée extérieure

L'entrée extérieure permet d'utiliser des signaux de commande extérieurs pour déclencher, portes, initiation d'une salve de forme d'onde de sortie et "durée extérieure". De tels signaux de commande peuvent définir le départ (et une fois EXI DUR sélectionne, la durée) des formes d'onde de sortie par la sélection de déclenchement de pente +/- et l'ajustement du niveau de déclenchement -3 V... $+3$ V. Le déclenchement est signalé par une diode clignotante.

Toutes les fonctions disponibles lors de l'utilisation de l'entrée externe, peuvent être effectuées manuellement à partir du panneau frontal.

Déclenchement extérieur

Le déclenchement extérieur permet aux générateurs de fonctionner en synchronisme avec d'autres signaux d'entrée d'horloge. Tous les autres paramètres, tels que durée de l'impulsion, retard de l'impulsion, etc, sont réglés sur les générateurs d'impulsions eux-mêmes. La gamme de fréquence de signaux de déclenchement externes



INSTALLATION

Section 2

Information de sécurité

Lire soigneusement les informations de la section avant d'installer et d'utiliser ces générateurs d'impulsions.

Cet instrument est conçu pour être uniquement utilisé par un personnel qualifié. Les réglages, la maintenance et les réparations des composants ne doivent être confiés qu'à des personnes qualifiées et informées des risques existants.

Précautions de sécurité

Pour le bon fonctionnement et la sécurité de ces générateurs d'impulsions, il est essentiel que les opérateurs et le personnel de service respectent les mesures de sécurité généralement admises en sus des précautions de sécurité énoncées dans ce manuel.

En cas de doute concernant la sécurité

Lorsque la sécurité de fonctionnement est compromise, l'instrument doit être rendu inopératif et doit être marqué de manière à empêcher tout fonctionnement intempestif. Le département de service et maintenance Philips doit être informé.

NOTE BENE: Tous les composants du côté primaire du transformateur de réseau portent le label CSA et ne doivent être remplacés que par des pièces d'origine.

Mise à la terre

Les générateurs d'impulsions sont mis à la terre par un câble de secteur à trois conducteurs qui doit être branché sur une prise possédant une fiche de terre. Cependant, avant de connecter l'instrument au secteur, le fonctionnement correct de la mise à la terre de la prise doit être contrôlé. Aucune autre méthode de mise à la terre n'est admise. Si un générateur d'impulsions est transporté d'un environnement froid vers un environnement chaud, la condensation peut provoquer un risque. Il convient donc de veiller à ce que les consignes de mise à la terre soient strictement respectées.

Toute coupure de la mise à la terre, que ce soit à l'intérieur ou à l'extérieur de générateur d'impulsions, est dangereuse. Les prolongateurs de branchement au réseau doivent toujours posséder un conducteur de terre.

Ouverture du boîtier

Les générateurs d'impulsions doivent être déconnectés de toutes les sources de tension avant d'être ouverts. Si des réglages ou des interventions de maintenance doivent être réalisés avec carters déposés, ces opérations ne doivent être exécutées que par un personnel qualifié. Il convient de ne pas oublier que des condensateurs à l'intérieur du générateur d'impulsions peuvent conserver leur charge même après déconnexion du générateur de toutes les sources de tension.

NOTA BENE: L'ouverture de boîtier ou la dépose de pièces, exception faite de celles qui sont accessibles extérieurement, risque d'exposer des pièces et des bornes sous tension pouvant présenter un danger mortel.

Réglage de la tension du réseau

Avant de connecter le générateur d'impulsions au réseau, vérifiez qu'il est bien réglé sur la tension d'alimentation. A la livraison, le générateur d'impulsions peut être réglé sur 100 V, 120 V, 220 V ou 240 V, comme l'indique le sélecteur de tension sur le panneau arrière, voir la fig. 2.1.

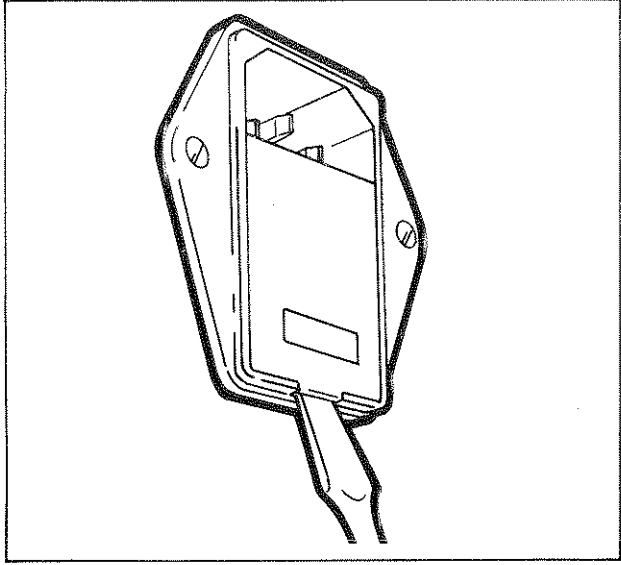


Fig. 2.1 Le couvercle du sélecteur de tension est ouvert à l'aide d'un tournevis.

Pour modifier le réglage de la tension, procéder de la manière suivante:

- Déconnecter le câble de réseau du générateur d'impulsions.
- Ouvrir le boîtier au-dessus du sélecteur de tension à l'aide d'un tournevis, voir figure 2.1.
- Extraire l'arbre à cames avec indicateur de tension, voir la figure 2.2.
- Remplacer l'arbre à cames afin de révéler le réglage de la tension voulu.
- Se reporter à la section "Fusible" pour vérifier les caractéristiques du fusible.
- Changer le fusible si nécessaire.
- Remonter le couvercle du sélecteur de tension.

Fusible

Chaque générateur d'impulsions est protégé par un fusible, situé à l'intérieur du sélecteur de tension sur le panneau arrière, voir la figure 2.1.

Le porte-fusible est situé dans le tiroir droit de sélecteur de tension, comme indiqué sur la figure 2.2. A la livraison, les instruments sont équipés de fusibles adaptés au format européen de 5x20 mm. Pour les fusibles de taille américaine, un porte-fusible spécial est nécessaire.

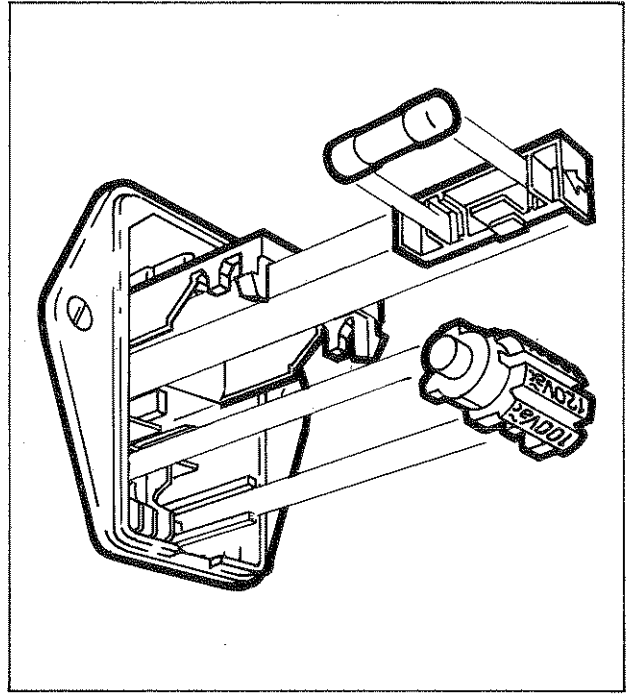


Fig. 2.2 Emplacements du fusible et de l'indicateur de tension dans le sélecteur de tension.

Si le réglage de la tension doit être modifié, noter qu'un fusible de différent ampérage peut être nécessaire. Pour 220 V et 240 V, monter un fusible 0.8 A à action retardée. Pour 100 V et 120 V, monter un fusible de 1,6 A à action retardée. Bien veiller à n'employer que des fusibles du type spécifié.

Pour changer un fusible:

- Déconnecter le câble d'alimentation du générateur d'impulsions.
- Ouvrir le couvercle du sélecteur de tension à l'aide d'un tournevis.
- Sélectionner le fusible voulu à l'aide du tableau suivant:

| Type | Code |
|---|----------------|
| Pour 220/240 V, 0,8 A à action retardée | 4822 253 30019 |
| Pour 100/120 V, 1,6 A à action retardée | 4822 253 30024 |

- Remplacer le couvercle du sélecteur de tension.

Orientation et refroidissement

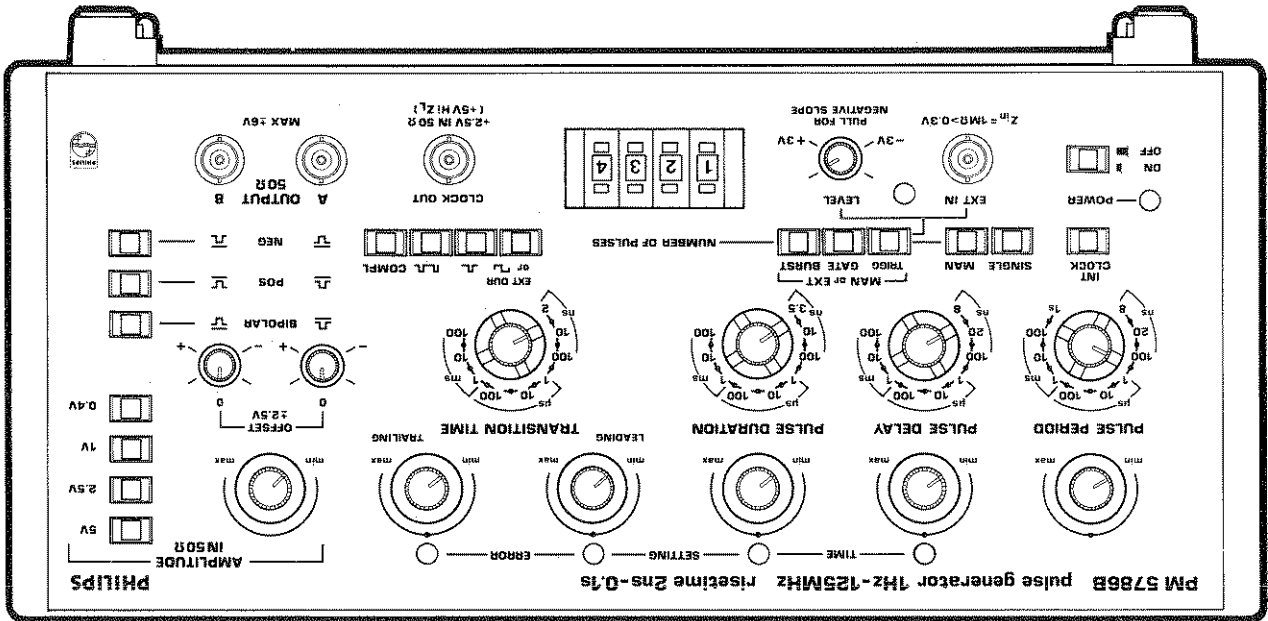
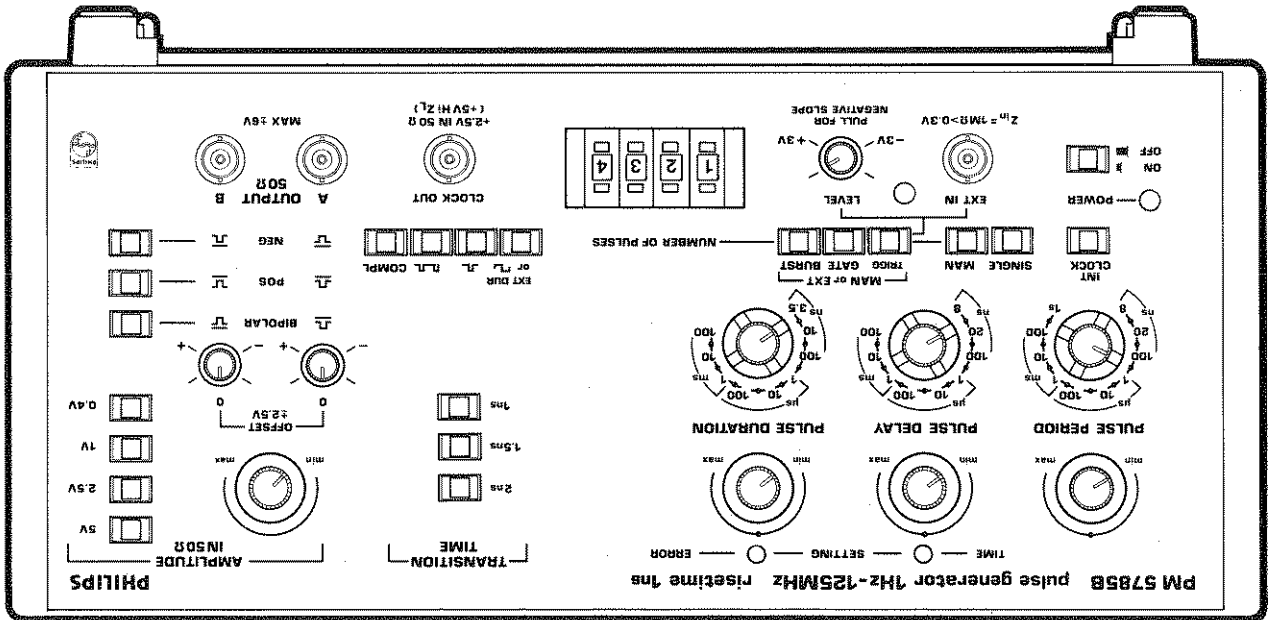
Les générateurs d'impulsions sont conçus pour le refroidissement naturel de l'air en service normal sur table. Il est conseillé d'adopter un refroidissement par air forcé si d'autres orientations de l'instrument pendant le fonctionnement sont choisies. Vérifier que la libre circulation de l'air par les ouvertures de ventilation du dessus et du dessous de l'instrument n'est pas entravée; un support repliable attaché au panneau du dessous est disponible à cet égard.

DESCRIPTION DES COMMANDES

Section 3



DESCRIPTION DES COMMANDES



ALIMENTATION MARCHÉ/ARRÊT (POWER ON/OFF)

Commande de l'alimentation du générateur. L'état est indiqué par la position mécanique du bouton-poussoir et par une diode jaune signalant la mise sous-tension.

Paramètres de temps

Horloge interne (INT CLOCK)

Ce bouton-poussoir sélectionne l'oscillateur interne. Il est verrouillé mécaniquement avec les sélecteurs de mode d'entrée: TRIGG, GATE et BURST (versions "B" uniquement) et outrepasse EXT IN et MAN/SINGLE.

Période des impulsions

Ce commutateur à 9 positions, avec son bouton de réglage fin, règle la période d'impulsions de 8 ns à 1 s. Pour chaque gamme, les limites inférieures et supérieures sont indiquées.

Retard des impulsions

Le commutateur à 8 positions, avec son bouton de réglage fin, règle le retard des impulsions de 8 ns à 100 ms. Le retard d'impulsion est le temps s'écoulant entre le front avant d'une impulsion d'horloge à la sortie de l'horloge et le front avant correspondant d'une impulsion simple à la sortie A moins 13 ns, voir page 4.2, fig. 4.1. Lorsque le mode à double pulsation est sélectionné, le retard de pulsation est alors le temps s'écoulant entre les fronts avant de deux impulsions faisant une double impulsion.

Durée des impulsions

Le commutateur à 8 positions, avec son bouton de réglage fin, règle la durée de l'impulsion(s) de sortie entre 3.5 ns et 100 ms.

Temps de transition

Les trois boutons-poussoirs, sur les générateurs PM 5785, règlent les temps de transition en forme d'onde de sortie à 2 ns, 1.5 ns ou 1 ns. Pour les générateurs PM 5786, le commutateur à huit positions règle les temps de transition de 2 ns à 100 ms. Les temps de transition des fronts avant et arrière peuvent être réglés indépendamment, à l'aide des deux boutons de réglage fin, dans la gamme de chaque position de commutateur.

Erreur de réglage (TIME SETTING ERROR)

Chaque diode de signallement d'erreur de réglage allumée indique une erreur au niveau de la commande des paramètres de temps se trouvant en dessous d'elle (ou à un stade antérieur dans certains cas).

L'entrée extérieure

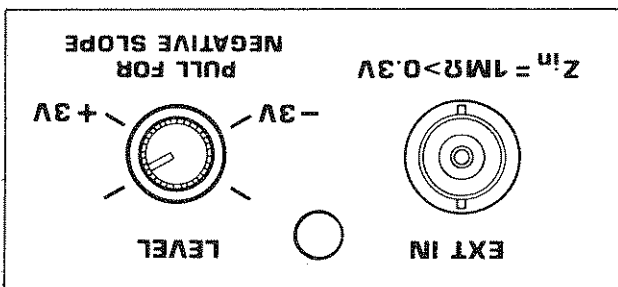


Fig. 3.1 Entrée extérieure.

Entrée extérieure (EXT IN)

L'entrée extérieure peut être utilisée pour le déclenchement des impulsions/paires d'impulsions, le déclenchement de l'horloge interne, l'initiation de salves d'impulsions (versions "B" uniquement) ou pour obliger les sorties à suivre synchroniquement le signal d'entrée externe. L'impédance d'entrée est de 1 M Ω et la sensibilité est de 500 mV_{CC}. Elle a été conçue pour accepter des signaux de basse amplitude pour le déclenchement direct à partir des circuits ECL; toutefois, l'entrée tolérera des signaux jusqu'à 260 V_{rms} et jusqu'à 440 Hz maximum sans dommages. Les signaux en excès d'1 V vont déclencher les générateurs mais des difficultés peuvent se présenter lors du réglage des niveaux de déclenchement désirés. Dans ce cas, connecter une sonde oscilloscope atténuatrice ou des atténuateurs coaxiaux passifs pour diminuer le signal d'entrée externe de 0,5...1 V.

Niveau (LEVEL)

Ce bouton facilite le réglage en continu du niveau de déclenchement de l'entrée extérieure de -3 V...+3 V. Après avoir été tiré, la pente négative de déclenchement est sélectionnée.

Diode de déclenchement

La diode de déclenchement a trois états, indiquant le fonctionnement du circuit de déclenchement. La diode clignote lorsque le générateur d'impulsions déclenche sur le signal d'entrée. En dehors de cette gamme de déclenchement, la diode est soit allumée soit éteinte. Voir le tableau 3.1.

| | | |
|------------------|------------------------|-----------------------|
| Etat de la diode | Pente positive | Pente négative |
| ALLUMÉE | Niveau réglé trop haut | Niveau réglé trop bas |
| CLIGNOTANTE | Niveau correct | Niveau correct |
| ÉTEINTE | Niveau réglé trop haut | Niveau réglé trop bas |

Table 3.1 Tableau de fonctionnement du déclenchement.

Les sélecteurs de mode d'entrée

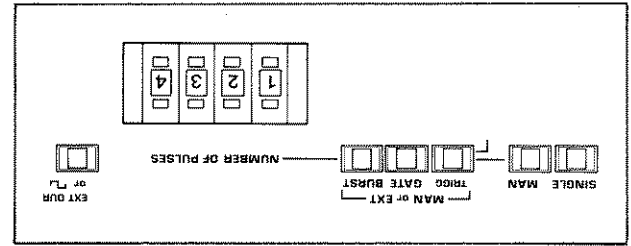


Fig. 3.2 Boutons-poussoirs du mode d'entrée et pour les versions "B", les commutateurs de saives.

Monocoup/manuel (SINGLE/MANUAL)

Le relâchement du bouton-poussoir MAN met hors de fonction le signal EXT IN et valide le bouton-poussoir SINGLE qui est utilisé:

- Pour lancer une impulsion/paire d'impulsions de sortie unique.
- Commander l'oscillateur interne.
- Lancer une saive d'impulsions (versions "B" uniquement).

Déclenchement (TRIG)

Sélection du mode déclenché. Chaque signal d'entrée externe ou signal monocoup déclenche une impulsion/paire d'impulsions de sortie, à moins que, le bouton-poussoir EXT DUR enfoncé, la longueur du signal de déclenchement règle la durée de l'impulsion de sortie.

Commande extérieure de la durée (EXT DUR)

Outre ce qui vient d'être dit, ce bouton-poussoir enfoncé donne des formes d'onde de sortie de rapport cyclique de 0,5 en combinaison avec les boutons-poussoirs INT CLOCK, GATE ou BURST.

Porte (GATE)

Chaque signal monocoup ou signal d'entrée externe lance l'oscillateur de l'horloge interne. Cet oscillateur est arrêté en relâchant le bouton-poussoir SINGLE ou lors de la fin du signal alimenté par l'entrée EXT IN. Les impulsions sont alors disponibles à la sortie pendant la période du signal de porte.

Saive (BURST) (versions "B" uniquement)

Sélection du mode de saive. Chaque signal d'entrée externe ou signal monocoup lance une saive d'impulsions. Le nombre d'impulsions pendant la saive est réglé à l'aide de molettes.

Sortie d'horloge



Fig. 3.3 Sortie d'horloge.

La sortie d'horloge délivre un onde carrée positive d'un rapport cyclique de 0,5. Sous 50 Ohms, son amplitude est de 2,5 V. Le signal étant devant le circuit de délai d'impulsions, il peut fonctionner comme un pré-déclencheur.

Diode de déclenchement

La diode de déclenchement a trois états, indiquant le fonctionnement du circuit de déclenchement. La diode clignote lorsque le générateur d'impulsions déclenche sur le signal d'entrée. En dehors de cette gamme de déclenchement, la diode est soit allumée soit éteinte. Voir le tableau 3.1.

| | | |
|------------------|------------------------|-----------------------|
| Etat de la diode | Pente positive | Pente négative |
| ALLUMÉE | Niveau réglé trop haut | Niveau réglé trop bas |
| CLIGNOTANTE | Niveau correct | Niveau correct |
| ÉTEINTE | Niveau réglé trop haut | Niveau réglé trop bas |

Table 3.1 Tableau de fonctionnement du déclenchement.

Les sélecteurs de mode d'entrée

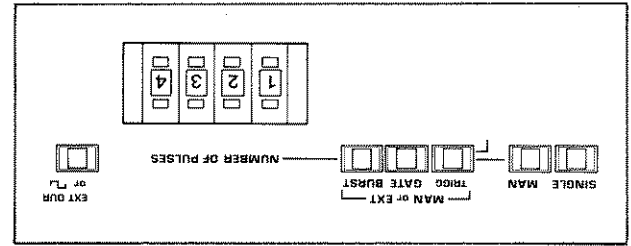


Fig. 3.2 Boutons-poussoirs du mode d'entrée et pour les versions "B", les commutateurs de saives.

Monocoup/manuel (SINGLE/MANUAL)

Le relâchement du bouton-poussoir MAN met hors de fonction le signal EXT IN et valide le bouton-poussoir SINGLE qui est utilisé:

- Pour lancer une impulsion/paire d'impulsions de sortie unique.
- Commander l'oscillateur interne.
- Lancer une saive d'impulsions (versions "B" uniquement).

Les commandes du décalage ont une gamme de $\pm 2,5$ V pour des impédances de 50 Ohms. La suppression du décalage est simplifiée puisque les commandes sont prévues avec de larges zones de zéro.

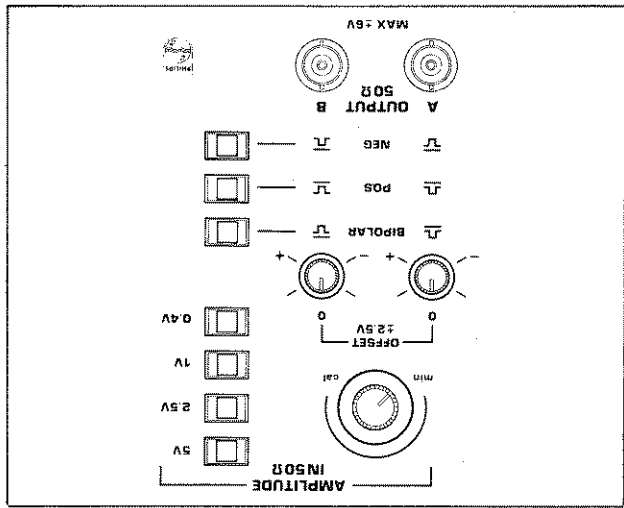


Fig. 3.5 Commandes de l'amplitude de sortie et du décalage.

Sorties A et B

Les sorties sont complémentaires avec temps de transition de fronts avant et arrière similaires sauf pour les générateurs PM 5786 où les temps de transition réglés individuellement sont normalement en rapport avec la sortie A. Voir section 4 "Les sorties".

Mode bipolaire (BIPOLAR)

Sélectionne une forme d'onde positive sur la sortie OUTPUT A et la forme d'onde négative complémentaire sur la sortie OUTPUT B, chacune avec le décalage de la tension continue choisi.

Mode positif (POS)

Sélectionne une paire complémentaire positive de formes d'onde de sortie, chacune avec le décalage de tension continue choisi.

Mode négatif (NEG)

Comme ci-dessus mais avec des formes d'onde négatives. Remarque que pour les unités PM 5786, le temps de transition du front avant se rapporte à la sortie B.

Les sélecteurs de forme d'impulsion

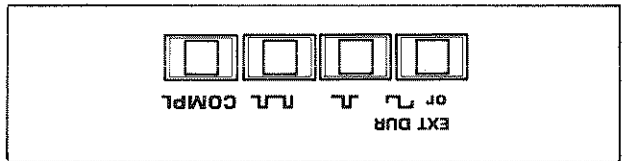


Fig. 3.4 Boutons-poussoirs de forme d'impulsions.

Impulsions "symétriques"

Sélectionne des formes d'onde de rapport cyclique de 0,5 en combinaison avec les boutons-poussoirs INT CLOCK, GATE ou BURST, sans avoir besoin de réajuster le retard et/ou la largeur.

Impulsion(s) unique(s)

Sélectionne le mode de fonctionnement normal. La durée d'impulsion de sortie est identique à celle réglée sur les générateurs. Remarque que les sorties sont retardées, à la fois à partir de la sortie d'horloge et du signal d'entrée extérieur.

Impulsion(s) double(s)

Sélectionne le mode d'impulsion double; où le temps entre les fronts avant de l'impulsion double est le retard des impulsions (PULSE DELAY).

Impulsions complémentaires (COMPL) (échange de niveau logique)

Ceci permet aux niveaux logiques d'être échangés, aux sorties A et B, sans échanger les décalages de niveau de référence de sortie. Voir section 4, fig. 4.B. Remarque que, pour les générateurs PM 5786, le temps de transition du front avant se rapporte à la sortie B.

Les sorties et leurs contrôles

L'amplitude des sorties peut être atténuée, sur quatre gammes, à l'aide du bouton-poussoir et du bouton de réglage fin. La tension de sortie indiquée est valable pour des sorties terminées avec des charges de 50 Ohms. Les amplitudes de sortie à circuit ouvert sont généralement le double des niveaux indiqués mais sont limitées à ± 6 V.

REGLAGES DE BASE DES COMMANDES

Le texte ci-dessous expose brièvement comment réaliser les réglages pour certains modes de travail caractéristiques.

Réglage de base

Le réglage de base fournit des formes d'onde de sortie de rapport cyclique 0,5 répétitives à partir de l'horloge interne.

- Enfoncer les boutons-poussoirs INT CLOCK et EXT DUR.
- Régler la période voulue (PULSE PERIOD).
- Régler les temps de transitions un peu plus courts que la période.
- Sélectionner l'amplitude de sortie et la polarité de sortie.
- Raccorder un oscilloscope à la sortie A et déclencher à partir du signal de sortie d'horloge (CLOCK OUT).

Impulsions uniques répétitives

- Utiliser le réglage de base.
- Régler le retard au minimum et la durée d'impulsion à moins de la moitié de la période.
- Enfoncer le bouton-poussoir marqué d'une impulsion unique puis contrôler les diodes témoins d'erreur.

Impulsions doubles répétitives

- Utiliser le réglage de base.
- Enfoncer le bouton-poussoir marqué d'une double impulsion.
- Augmenter le retard et, si nécessaire, réduire la durée jusqu'à ce que les deux impulsions soient séparées l'une de l'autre.

Sorties déclenchées de l'extérieur

- Utiliser le réglage de base.
- Enfoncer le bouton-poussoir TRIGG et s'assurer que le bouton MAN soit relâché.
- Raccorder la source de signal à l'entrée extérieure.
- Nota Bene: 15 Vcc aux fréquences élevées.
- Ajuster le potentiomètre de niveau (LEVEL) jusqu'à ce que la diode clignote pour indiquer le déclenchement.

Sorties avec signal de porte extérieure

- Utiliser le réglage des "sorties déclenchées de l'extérieur".
- Enfoncer le bouton-poussoir GATE.

Salves (versions "B" uniquement)

- Utiliser le réglage pour les "sorties déclenchées de l'extérieur".
- Enfoncer le bouton-poussoir BURST.
- Régler pour le nombre voulu d'impulsions à l'aide des molettes.
- Vérifier que la source de signal extérieur a une fréquence suffisamment basse par rapport à la durée de la salve.

Sorties déclenchées manuellement

- Utiliser le réglage de base.
- Enfoncer les boutons-poussoirs MAN et TRIGG.
- Sélectionner les impulsions simples et doubles.

Une impulsion/paire d'impulsions est initiée sur chaque monocoop. Si EXT DUR est sélectionné, alors les niveaux de tension continue des sorties changent durant le temps où le bouton-poussoir SINGLE est enfoncé.

Porte manuelle

- Utiliser le réglage de base.
- Enfoncer les boutons-poussoirs MAN et GATE.

Les formes d'ondes de sortie sont commandées par le bouton-poussoir SINGLE.

Salve manuelle (versions "B" uniquement)

- Utiliser le réglage de base.
- Enfoncer les boutons-poussoirs MAN et BURST.

Commande extérieure de la durée d'impulsion

- Utiliser le réglage des "sorties déclenchées extérieurement".
- Enfoncer le bouton-poussoir EXT DUR; la longueur du signal de déclenchement règle la durée d'impulsion de sortie.

QUELLE EST L'ERREUR?

- Est-ce que le nombre d'impulsions de la salve (versions "B" uniquement) est réglé sur 0000?

Si les formes d'onde du signal de sortie sont bizarres

- Contrôler les diodes témoins d'erreur de réglage, puis si nécessaire, corriger les réglages en commençant par la commande la plus à gauche.
- Pour obtenir une image stable, déclencher l'oscilloscope sur la sortie d'horloge (CLOCK OUT).
- Les extrémités de forme d'onde de sortie peuvent être bloquées par la limite de ± 6 V - corriger l'amplitude et/ou décalage.
- Les impulsions des formes d'onde de sortie peuvent être tronquées juste à la limite de signallement de la diode témoins d'erreur.

- Pour les générateurs PM 5786, la combinaison d'un temps de transition de descente et de montée trop long peut donner une forme d'onde de sortie en dents de scie de faible amplitude sans qu'aucune diode ne signale l'erreur.

- Vérifier l'impédance de la charge. Seule une charge de 50 Ohms donne une forme d'onde nette.
- Vérifier l'impédance du câble. N'utiliser que des câbles de 50 Ohms.
- Vérifier les connecteurs de câble, les raccords, etc.
- Le générateur ne doit pas être déclenché correctement à partir du signal d'entrée externe. La sensibilité de l'entrée externe est appropriée au déclenchement directement à partir de signaux de basse amplitude (ECL). Les signaux de 1 V en excès vont déclencher le générateur, mais des difficultés peuvent survenir lors du réglage des niveaux de déclenchement des formes d'ondes de sortie inattendues. Dans ce cas, connecter un atténuateur x10 coaxial de haute fréquence ou une sonde oscilloscope, pour diminuer le signal d'entrée externe.

Erreur de réglage du temps
Les erreurs de réglage de temps sont indiquées par les diodes. Chacune d'entre-elles, une fois allumée, indique une erreur de réglage de la commande qui se trouve en-dessous d'elle.
Lorsque plusieurs diodes sont allumées, réduire le réglage de la commande de temps sous la diode allumée la plus à gauche. Remarque: pour les générateurs PM 5786, un retard ou une durée excessive conduit souvent à des signallements d'erreur du temps de transition.

Utiliser la sortie d'horloge comme source de déclenchement!

Le réglage d'un instrument nécessite souvent quelques tâtonnements pour trouver les paramètres corrects d'impulsion correspondant à un travail spécifique. Ces opérations sont simplifiées en utilisant la sortie d'horloge (CLOCK OUT).
Indépendamment des réglages de retard, de durée, de temps de transition, d'amplitude de sortie, de décalage et de polarité, le signal de sortie d'horloge est toujours une forme d'onde carrée de 2,5 V.

Réglage des paramètres de temps

- Commencer par la période.
- Si l'une ou plusieurs des diodes témoins s'allument, réduire alors le contrôle de réglage du temps se trouvant sous la diode allumée la plus à gauche.
- Pour permettre d'effectuer l'ajustement final, connecter un oscilloscope à la sortie A.
- Si un pré-déclenchement est nécessaire, utiliser * Pour éviter les distorsions de formes d'onde - la sortie utilisée doit être sous 50 Ohms.

Si il n'y a pas d'impulsions de sortie

- Contrôler les diodes témoins d'erreur de réglage et si nécessaire, réajuster les réglages.
- Vérifier le mode de déclenchement sélectionné.
- Enfoncer le bouton-poussoir d'horloge interne (INI CLOCK).
* Elle doit délivrer une forme d'onde de sortie; utiliser la sortie d'horloge pour faciliter le déclenchement.

* Avec MANUAL et TRIGG, GATE ou BURST sélectionné; n°;
- Enfoncer le bouton-poussoir SINGLE.

* Avec un signal d'entrée extérieure connecté et TRIGG, GATE ou BURST sélectionné:
- Est-ce que la diode de déclenchement clignote? Sinon, corriger le niveau de déclenchement.
- Est-ce que le niveau du signal d'entrée est trop bas?
- Est-ce que la fréquence du signal d'entrée est trop basse?

DESCRIPTION DES FONCTIONS

Section 4



DESCRIPTION DES FONCTIONS

Entrée extérieure

Chaque fois que les générateurs sont déclenchés par un signal d'entrée extérieure, une impulsion de sortie (unique ou double) est délivrée. Le générateur peut être réglé pour la "durée" extérieure, impulsions simples ou doubles à l'aide des sélecteurs de forme d'impulsion. De plus, la forme d'onde de sortie et le retard de signal des sorties d'horloge, en ce qui concerne le signal d'entrée extérieure, pour les trois différents modes d'entrée ne sont pas les mêmes. Voir Fig. 4.1.

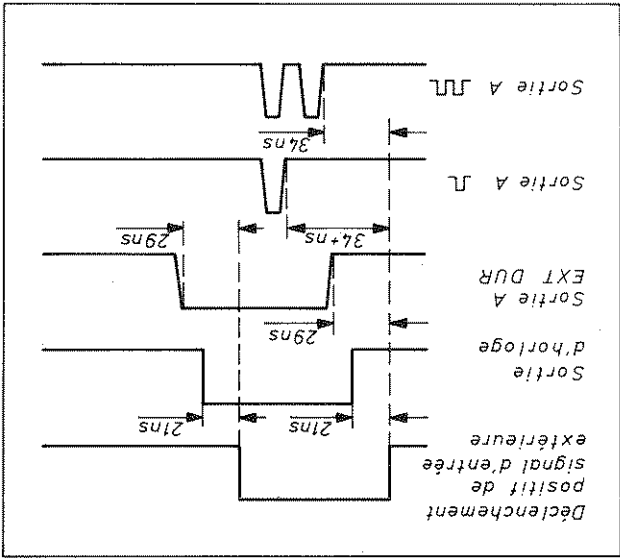


Fig. 4.1 Diagramme de synchronisation du mode de décl. ext. (valeurs nominales uniquement).

Porte extérieure

Le signal d'entrée extérieure autorise le départ de l'horloge qui continue de fonctionner jusqu'à ce que le signal s'arrête. Indépendamment de la fin du signal d'entrée extérieure, les impulsions de sortie simples ou doubles sont complétées. De plus, le signal de sortie d'horloge et les formes d'onde de sortie de rapport cyclique de 0,5, une fois sélectionnées, peuvent être tronquées. Voir également le schéma synoptique de la Fig. 4.17 et le schéma de synchronisation du mode de porte extérieure de la Fig. 4.2. Pour les périodes d'impulsions supérieures à 1 µs, les retards indiqués sont augmentés d'environ 5 ns.

L'entrée extérieure est utilisée dans plusieurs modes de fonctionnement, tels que déclenchement extérieur, porte extérieure, commande extérieure de la durée et saive (versions "B" uniquement). Les générateurs peuvent être réglés pour déclencher sur le front positif soit négatif du signal d'entrée extérieure. De plus, le niveau de déclenchement est continuellement variable de -3 V à +3 V. Pour indiquer clairement si les générateurs sont réellement déclenchés ou non, une diode est prévue. Elle clignote lorsqu'un générateur est déclenché sur le signal d'entrée extérieure. En dehors de la gamme de déclenchement, la diode est allumée ou éteinte. Voir tableau 4.1.

| | | | |
|------------------|------------------------|------------------------|--|
| État de la diode | Pente positive | Pente négative | |
| ALLUMÉE | Niveau réglé trop haut | Niveau réglé trop bas | |
| CLIGNOTANTE | Niveau correct | Niveau correct | |
| ÉTEINTE | Niveau réglé trop bas | Niveau réglé trop haut | |

Tableau 4.1 Témoin de fonctionnement du déclenchement

Le signal d'entrée extérieure est retardé par le circuit d'entrée de déclenchement pour un nombre de nanosecondes. Ce retard n'est pas constant mais varie avec l'amplitude du signal et le réglage du niveau de déclenchement. Le retard total, entre le déclenchement et la sortie, pour chaque forme d'impulsion de sortie, dépend du mode d'entrée sélectionné. Ces délais sont spécifiés comme suit:

DESCRIPTION DES FONCTIONS

Entrée extérieure

Chaque fois que les générateurs sont déclenchés par un signal d'entrée extérieure, une impulsion de sortie (unique ou double) est délivrée. Le générateur peut être réglé pour la "durée" extérieure, impulsions simples ou doubles à l'aide des sélecteurs de forme d'impulsion. De plus, la forme d'onde de sortie et le retard de signal des sorties d'horloge, en ce qui concerne le signal d'entrée extérieure, pour les trois différents modes d'entrée ne sont pas les mêmes. Voir Fig. 4.1.

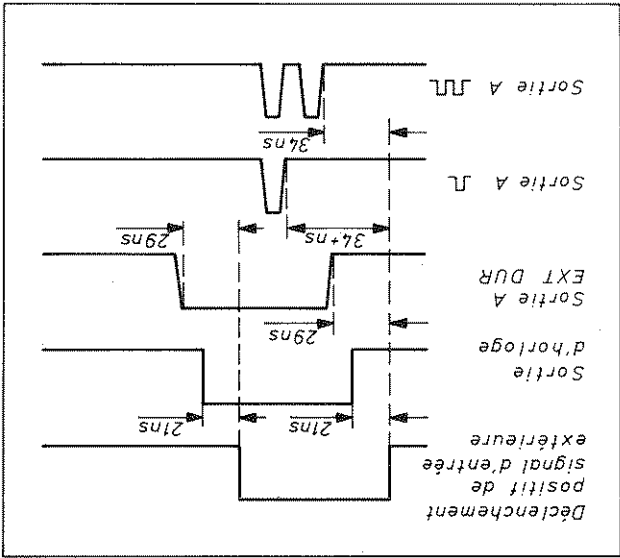


Fig. 4.1 Diagramme de synchronisation du mode de décl. ext. (valeurs nominales uniquement).

Porte extérieure

Le signal d'entrée extérieure autorise le départ de l'horloge qui continue de fonctionner jusqu'à ce que le signal s'arrête. Indépendamment de la fin du signal d'entrée extérieure, les impulsions de sortie simples ou doubles sont complétées. De plus, le signal de sortie d'horloge et les formes d'onde de sortie de rapport cyclique de 0,5, une fois sélectionnées, peuvent être tronquées. Voir également le schéma synoptique de la Fig. 4.17 et le schéma de synchronisation du mode de porte extérieure de la Fig. 4.2. Pour les périodes d'impulsions supérieures à 1 µs, les retards indiqués sont augmentés d'environ 5 ns.

fig. 4.3. Pour des périodes d'impulsion supérieures à 1 µs, les retards indiqués sont augmentés d'environ 5 ns.

Le temps minimal entre deux salves consécutives dépend de la période choisie. Dans les gammes de 8...20 ns, 20...100 ns et 100 ns...1 µs, cet écart est approximativement égal à la période de d'impulsion choisie, mais sans être inférieur à 50 ns (voir également la fig. 4.4). Dans les six gammes de périodes plus longues, l'écart minimal est de 0,1 à 1,1 µs suivant la position du bouton d'ajustement fin.

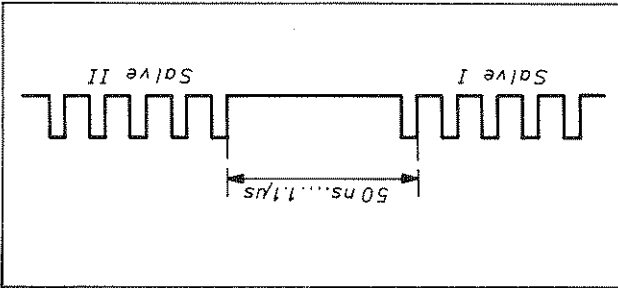


Fig. 4.4 Temps de plus court entre deux salves.

Manuel

En mode déclenché combiné à la fonction manuel- le, le signal d'entrée extérieure est remplacé par le fonctionnement de la commande de mono- coup. Une impulsion de sortie simple ou double est générée en actionnant ce bouton-poussoir.

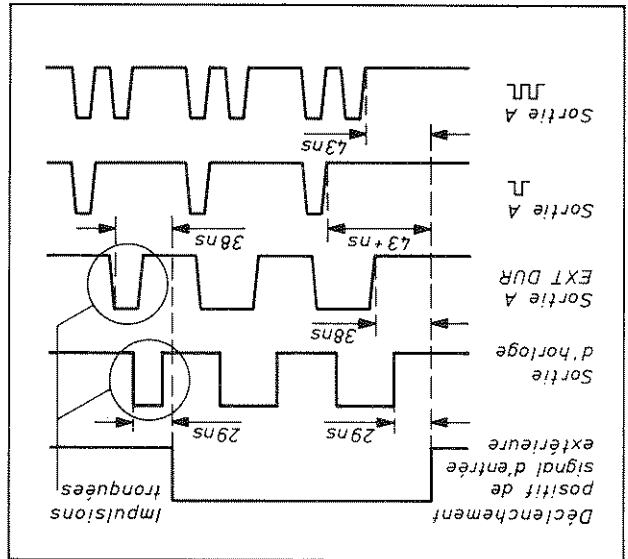
Le mode porte, combiné à la fonction manuelle, permet au bouton-poussoir de monocoup, une fois enfoncé, de lancer l'oscillateur interne. En relâchant le bouton, l'oscillateur s'arrête.

Le mode salve, combiné avec les fonctions manuelles, permet le fonctionnement momentané du bouton-poussoir de monocoup pour lancer l'oscil- lateur interne. L'oscillateur est arrêté par la fonction de salve, lorsque le nombre d'impul- sions présélectionné est atteint.

En mode de commande extérieure de la durée d'impulsion, les boutons-poussoirs MAN, TRIGG et EXT DUR doivent être actionnés. L'impulsion de sortie est alors activée aussi longtemps que le bouton-poussoir SINGLE est enfoncé.

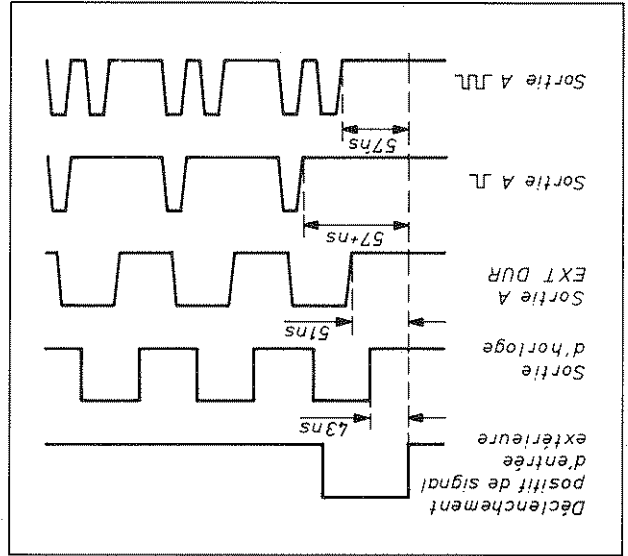
Remarque: Souvent, au lieu d'actionner le bouton-poussoir de monocoup avec la fonction manuelle sélectionnée, la commande de pente de déclenchement peut être actionnée sans signal d'en- trée externe pour exécuter les procé- dés décrits ci-dessus.

Fig. 4.2 Mode de porte extérieure, diagramme de synchronisation (valeurs nominales uniquement).



Une salve d'impulsions peut être initiée soit manuellement soit avec un signal d'entrée extérieure. La fonction de salve lance le démarrage de l'horloge interne et compte de nombre de cycles d'horloge; voir le schéma synoptique de la fig. 4.13.

Fig. 4.3 Synchronisation des impulsions en mode salve, valeurs nominales (versions "B" uniquement).



Lorsque le nombre présélectionné d'impulsions a été atteint, l'horloge interne est arrêtée et la dernière impulsion de sortie, est achevée. Les retards entre l'impulsion d'entrée extérieure et la première impulsion de sortie sont indiqués en

Retard de l'impulsion

La fonction de retard de l'impulsion, entre 8 ns avant d'une impulsion double dans le mode de fonctionnement d'impulsion double; voir fig. 4.5. Pour le mode "normal" de fonctionnement, le retard d'impulsion est environ égal au temps entre le front avant d'une impulsion d'horloge et le front avant correspondant d'une impulsion simple à la sortie A. Les retards, pour les modes d'impulsion simple et double, en rapport avec les signaux d'entrée extérieure et l'horloge interne sont indiqués en figures 4.1, 4.2 et 4.3.

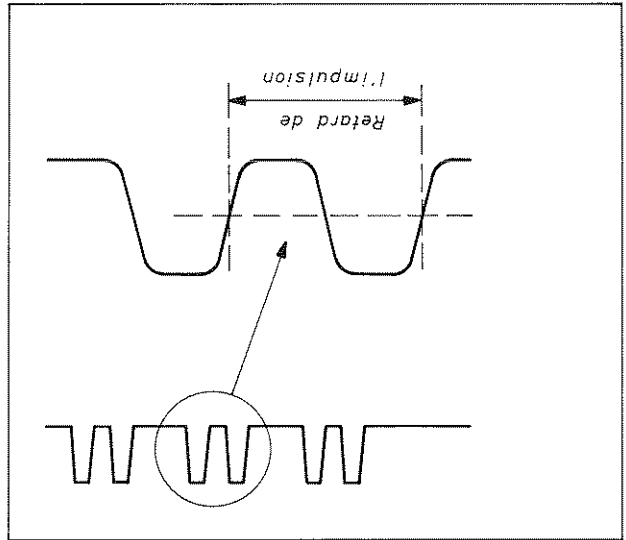


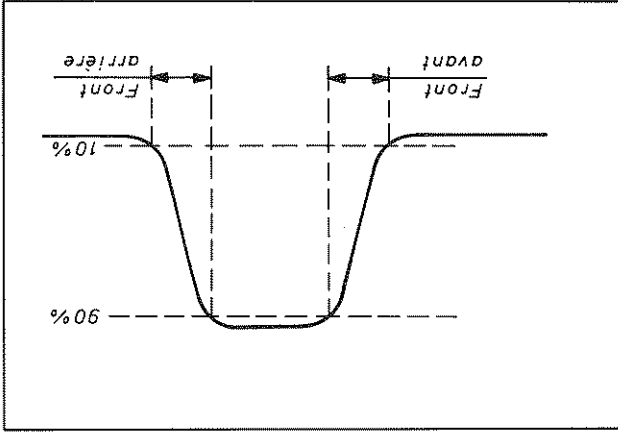
Fig. 4.5 Retard de l'impulsion.

Durée de l'impulsion

La durée de l'impulsion est réglée du point de départ du front avant au point de départ du front arrière de l'impulsion et varie de 7,5 ns à 100 ms. Si le temps de transition du front avant et arrière sont tous deux également modifiés, comme sur les générateurs PM 5785, la durée de l'impulsion, mesurée à 50% d'amplitude, est indépendante du temps de transition réglé. Pour les générateurs PM 5786, la durée d'impulsion mesurée diffère de la valeur réglée lorsque les temps de transition des fronts avant et arrière sont modifiés.

Voir Fig. 4.6.

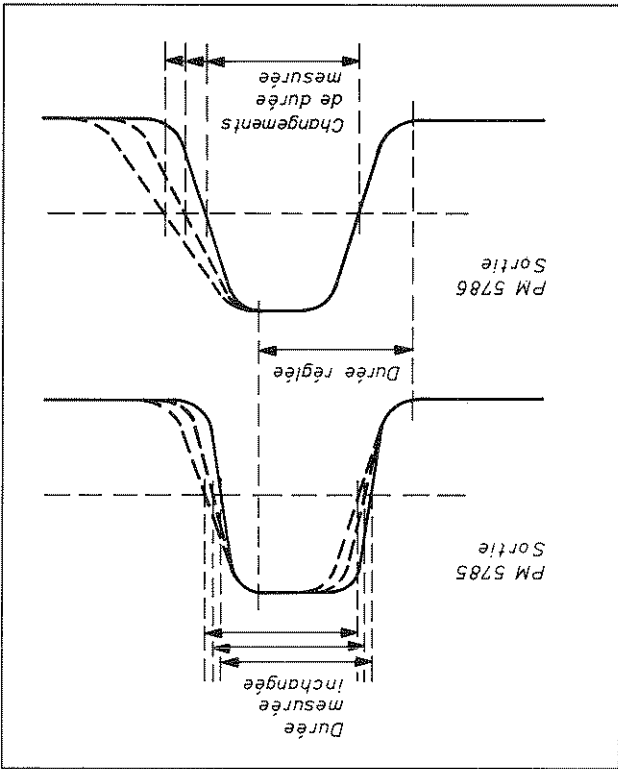
Fig. 4.7 Définition du temps de transition.



Le temps de transition se définit comme 10 à 90% de tout le front avant ou arrière de l'impulsion. Les temps de transition des fronts avant et arrière du générateur PM 5785 sont réglés ensemble, à l'aide de trois boutons-poussoirs, pour trois valeurs fixes uniquement. Les temps de transition des fronts avant et arrière du générateur PM 5786 sont réglés indépendamment, à l'aide des deux boutons de réglage fin, à l'intérieur de chaque decade du commutateur de temps de transition.

Temps de transition

Fig. 4.6 Définition de la durée d'impulsion.



Les temps de transition, dans les générateurs PM 5785, sont formés par deux filtres passifs commutés trouvés après chaque étape de sortie. Lorsque tous ces filtres sont déconnectés, les temps de transition sont de 1 ns. Pour les générateurs PM 5786, les fronts avant et arrière sont formés par un générateur de rampe. Pour les temps de transition réglés sont indépendants des réglages de l'amplitude; voir Fig. 4.10.

Sortie d'horloge

Comme on peut le voir sur le schéma synoptique de la figure 4.13, la sortie d'horloge suit l'oscillateur mais précède les circuits de durée et de retard. La sortie d'horloge peut alors être utile comme pré déclenchement de sortie. Puisque, dans le mode de fonctionnement interne, la sortie d'horloge est toujours un signal de rapport cyclique 0,5 indépendant de tout ajustement, le signal constitue une méthode très simple de contrôle de la fréquence de répétition d'impulsions. Le signal de sortie d'horloge possède de très rapides temps de transition d'environ 1 ns avec une amplitude de 2,5 V sous 50 Ohms.

Les sorties

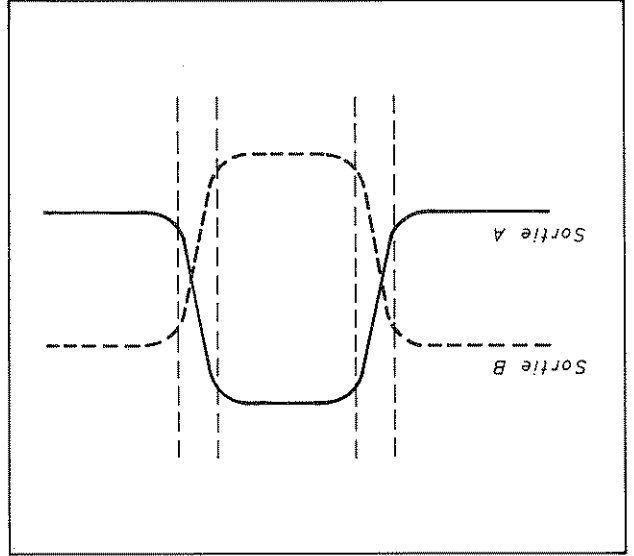


Fig. 4.8 Sorties A et B complémentaires incluant le décalage de tension continue.

L'étage de sortie permet de passer facilement entre les trois combinaisons de sortie suivantes:

- Formes d'onde complémentaires bipolaires conçues pour les applications analogiques.
- Formes d'onde complémentaires positives (TTL), conçues pour les applications logiques numériques négatives.
- Formes d'onde complémentaires négatives conçues pour les applications logiques numériques négatives (ECL).

Voir Fig. 4.9.

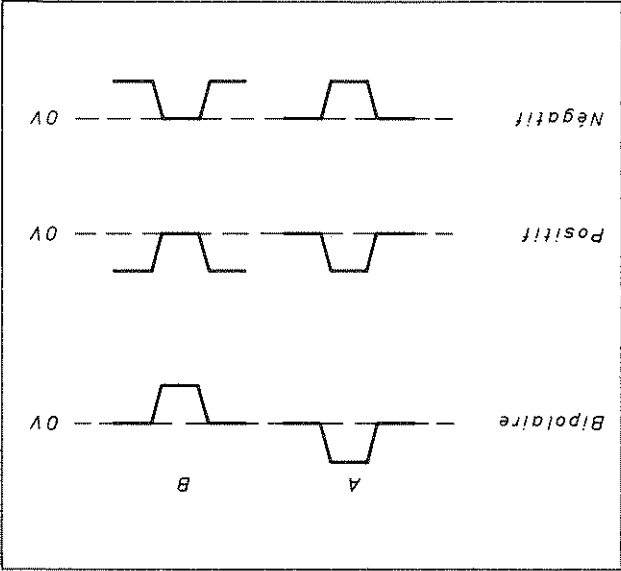


Fig. 4.9 Modes de sortie.

Étage de sortie

La commande continue d'amplitude variable est en fait une commande de gain placée devant l'étage de sortie. En se référant à la fig. 4.10, on peut voir que les temps de transition réglés sont complètement indépendants de tout ajustement de cette commande de gain.

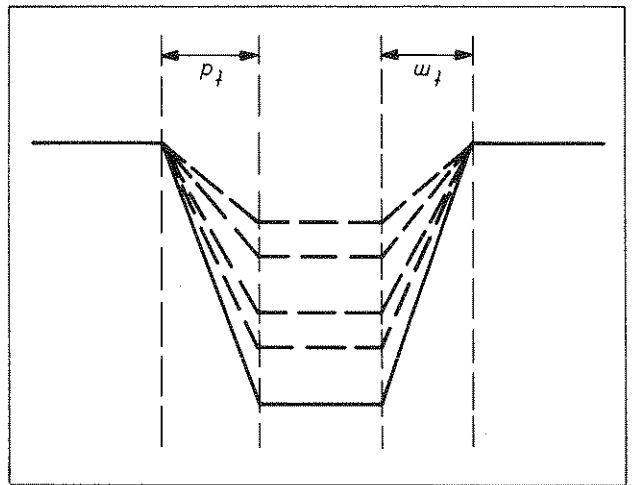


Fig. 4.10 Les temps de transition réglés sont indépendants de l'amplitude de sortie.

L'amplificateur de sortie est un atténuateur à quatre positions calibré pour des impédances de charge de sortie de 50 Ohms. Les niveaux de tension indiqués sont donc inapplicables pour des charges non équilibrées. Pour des charges de haute impédance, les différences de potentiel de sortie de 10 V peuvent être générées mais dans la limite de ± 6 V. La borne de ± 6 V affectant la forme d'onde réglée choisie, lors du fonctionnement proche des limites de la gamme de tension de sortie, il est bon de contrôler les formes d'onde de sortie à l'aide d'un oscilloscope.

Décalage

Les deux sorties ont leurs propres commandes de décalage indépendamment avec une gamme de $\pm 2,5$ V pour des charges de 50 Ohms. L'élimination du décalage est facilitée par les aires étendues de zéros des commandes de décalage. Remarque que les décalages choisis restent inactifs lorsque les sorties sont commutées pour des formes d'onde bipolaires, positives ou négatives. Voir Fig. 4.11.

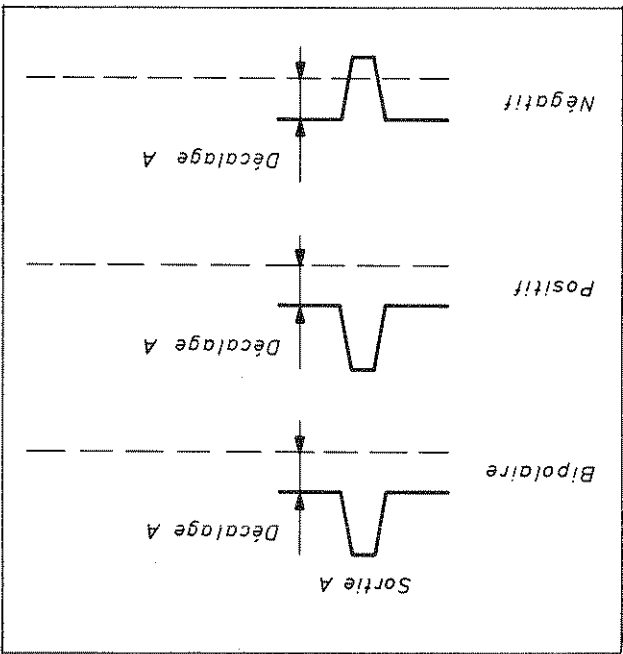
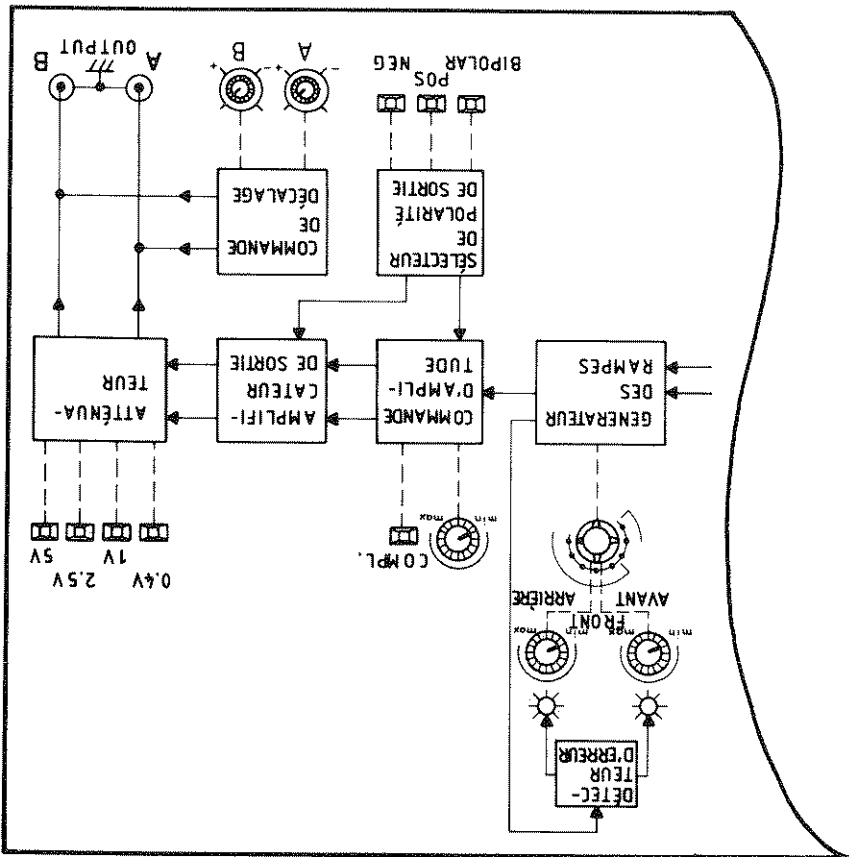
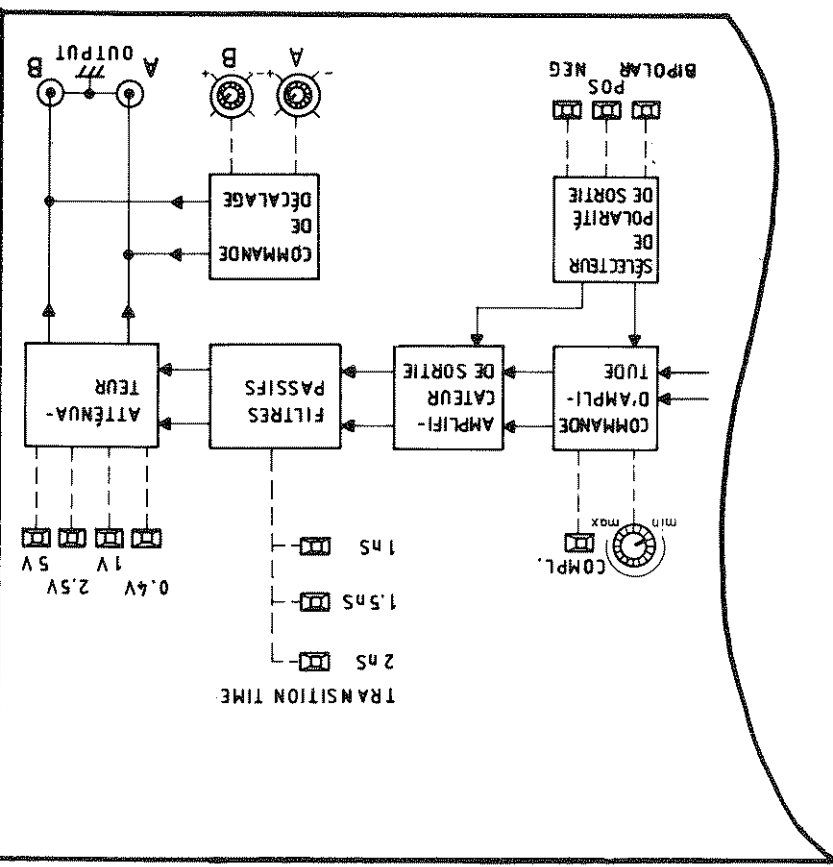


Fig. 4.11 Décalage choisi pour les trois combinaisons de sortie.

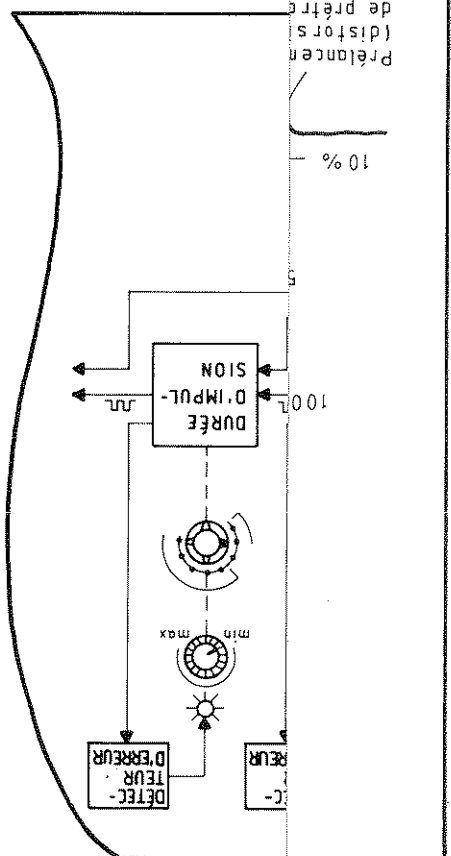


PM 5786
ÉTAPE DE SORTIE

Fig. 4.12 DE



PM 5785
ÉTAPE DE SORTIE



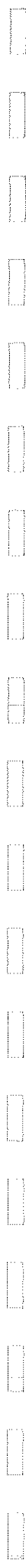
Préférence
(distorsion de préférence)

10%

100%

CONTROLE DU FONCTIONNEMENT

Section 5



INTRODUCTION

L'objectif de cette procédure est :

- De tester les spécifications des instruments.
- De constituer un contrôle de réception afin de déterminer si un instrument nouvellement acquis ou récemment réétalonné est conforme.
- De déterminer la nécessité de réétalonnage après une période d'utilisation donnée.

Toutes les limites et tolérances données dans la section sont des valeurs indicatives d'étalonnage et elles ne doivent pas être interprétées comme des spécifications de l'instrument, à moins d'être également données au section 6.

Tous les contrôles sont faits sur le panneau avant. Ne pas retirer l'habillage de l'instrument.

Attendre le temps nécessaire de préchauffage de l'appareil (30 min). Si cela n'est pas fait, certaines étapes des tests peuvent ne pas correspondre aux spécifications.

Nota Bene: Au début de chaque étape, et sauf indications contraires, les commandes doivent rester dans la même position que pour l'étape précédente.

Equipement de test recommandé

Oscilloscope : Deux canaux; Tr 0,2 ns.
Fréquencemètre : Philips PM 654 ou équivalent.
Source de signal: 100 kHz...50 MHz, 0,5 V...1 V,
par exemple Philips PM 5715

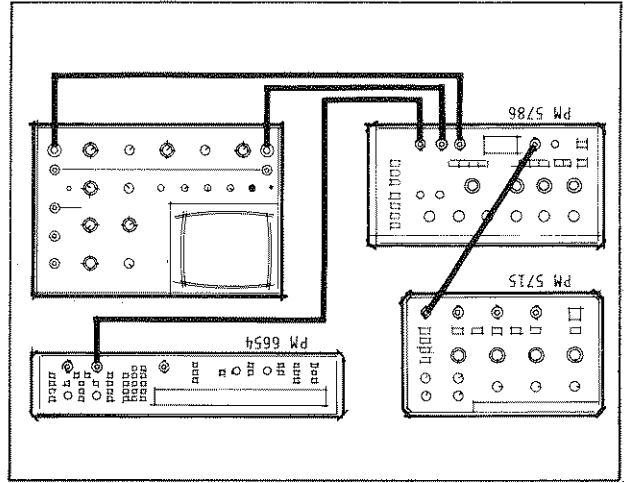


Fig. 5.1 Montage d'essai.

TEST DES CARACTERISTIQUES

Alimentation

Avant de raccorder l'instrument au réseau, vérifier que le réglage de la tension est correct. Si ce n'est pas le cas, voir la section 2 "Installation", et modifier le réglage. Vérifier également que le fusible est correct.

Oscillateur

Raccorder le fréquencemètre à la sortie B, en veillant bien à utiliser un câble de 50 Ohms. Utiliser une borne d'entrée du fréquencemètre soit de 50 Ohms.

- Régler sur une position minimale le retard d'impulsion et la durée d'impulsion.
- Actionner les boutons-poussoirs INT CLOCK et EXT DUR.

Pour chaque position du commutateur de période d'impulsion, vérifier les potentiomètres suivant le tableau ci-dessous.

| | | |
|-----------------|-----------------|---------------------|
| 8 ns...20 ns, | 100 ns...1 µs, | 125 MHz...50 MHz). |
| 20 ns...100 ns, | 1 µs...10 µs, | (50 MHz...10 MHz). |
| 100 ns...1 µs, | 10 µs...100 µs, | (10 MHz...1 MHz). |
| 1 µs...10 µs, | 100 µs...1 ms, | (1 MHz...100 kHz). |
| 10 µs...100 µs, | 1 ms...10 ms, | (100 kHz...10 kHz). |
| 100 µs...1 ms, | 10 ms...100 ms, | (1 kHz...100 Hz). |
| 1 ms...10 ms, | 10 ms...100 ms, | (10 Hz...1 Hz). |
| 10 ms...100 ms, | 100 ms...1 s, | (100 Hz...10 Hz). |
| 100 ms...1 s, | | (10 Hz...1 Hz). |

Entrée extérieure

- Actionner le bouton-poussoir TRIGG.
- Vérifier que le bouton-poussoir MAN est en position relâchée.
- Régler la sortie de la source de signal extérieur pour 0,5 Vcc, et environ 1 MHz avec t_m et t_d à environ 200 ns. Raccorder la source de signal à l'entrée EXT IN, sans oublier l'impédance de 50 Ohms.
- Tourner lentement le potentiomètre de niveau (LEVEL) de ±3 V à -3 V et vérifier que la diode d'abord éteinte, clignote puis reste allumée.
- Tirer le commutateur SLOPE pour travailler sur le front négatif et vérifier également que la diode d'abord éteinte, clignote puis reste allumée en permanence lorsque le bouton est lentement tourné de -3 V à +3 V.

Commande extérieure de la durée d'impulsion

- Raccorder la sortie A à oscilloscope.
- Actionner le bouton-poussoir EXT DUR.
- Vérifier la durée d'impulsion de la forme d'onde de sortie par rapport au signal d'entrée extérieure (de préférence une onde carrée).

Porte

- Actionner le bouton-poussoir GATE.
- Vérifier que la sortie du générateur et commandée par le signal d'entrée extérieure. Si nécessaire, réduire la période de manière à ce qu'un nombre de salves d'impulsion de porte soit vu à la sortie.

Salve (versions "B" uniquement)

- Actionner le bouton-poussoir BURST.
- Prérégler le nombre d'impulsions pour 0003.
- Régler la période à 8 ns.
- Contrôler le nombre d'impulsions de sortie avec l'oscilloscope.
- Actionner le bouton-poussoir MAN.

- Raccorder la sortie B à un fréquencemètre en mode de totalisation. Garder en mémoire les capacités du fréquencemètre lors de l'ajustement de la période.
- Régler de nombre d'impulsions à 1111.
- Actionner le bouton-poussoir SINGLE et contrôler le nombre d'impulsions réglé par rapport à l'affichage du fréquencemètre.
- Répéter les opérations pour 2222, 3333, 4444, 5555, 6666, 7777, 8888, 9999 et 0000.

Sortie d'horloge

- Actionner le bouton-poussoir INT CLOCK.
- Connecter l'oscilloscope à la sortie d'horloge (CLOCK OUT), sans oublier l'impédance de 50 Ohms.
- L'amplitude de forme d'onde de l'horloge doit être de 2,5 V avec temps de montée d'environ 1 ns.

Durée de l'impulsion

- Enfoncer le bouton-poussoir marqué avec une impulsion unique.
- Régler la période sur 1...10 µs.
- Vérifier sur l'oscilloscope que les commandes de la durée de l'impulsion couvrent les gammes 3,5...10 ns et 10...100 ns.
- Vérifier sur le fréquencemètre que les commandes de durée d'impulsion couvrent

Retard de l'impulsion

également les six autres gammes; ne pas oublier de régler une période suffisamment longue.

- Enfoncer le bouton-poussoir marqué d'une double impulsion.
- Régler la période sur 10...100 µs.
- Régler la durée de l'impulsion sur 3,5 ns.
- Vérifier sur l'oscilloscope que les commandes de retard de l'impulsion couvrent les gammes 8...20 ns, 20...100 ns et 0,1...1 µs.
- Enfoncer le bouton-poussoir marqué d'une impulsion unique.
- Raccorder le fréquencemètre à la sortie d'horloge CLOCK OUT et à la sortie A, et mesurer le temps s'écoulant entre l'impulsion de la sortie A.
- Vérifier les valeurs minimales et maximales des autres gammes de retard, sans oublier de réajuster la période d'impulsion.

Détection des erreurs

- Régler la période à 20 ns.
- Raccorder l'oscilloscope à la sortie A, en déclenchant à partir de la sortie d'horloge.
- Contrôler que la diode de retard est allumée si le retard d'impulsion est trop long. Il peut exister une zone étroite où la détection de l'erreur n'est pas certaine. A noter qu'un retard trop long ou trop court en mode d'impulsions doubles donne une indication d'erreur sur la diode de durée d'impulsion.
- Vérifier que la diode de durée de l'impulsion s'allume lorsque la durée est excessive. Il peut exister une zone étroite où la détection de l'erreur n'est pas certaine.

Étapes additionnelles pour les unités PM 5786:

- Régler la période d'impulsion sur 0,8 ns, sélectionner des impulsions de rapport cyclique 0,5 et des temps de transition de 2 ns.
- Tourner le potentiomètre du front avant (LEADING) jusqu'à ce que la diode s'allume.
- Vérifier que l'amplitude d'impulsion a été réduite de 40...60%.
- Repositionner le potentiomètre du front avant (LEADING) et tester le front arrière (TRAILING) de la même manière.

Temps de transition

Aberrations

- Régler la période à 300 ns.
- Contrôler, avec l'oscilloscope, les temps de transition (min. et max. pour les gammes 2...10 ns et 10...100 ns sur les unités PM 5786) selon les spécifications données en section 6.
- Pour les générateurs PM 5786, augmenter la période et contrôler les temps de transition min et max pour les six autres gammes.

- Contrôler que le dépassement, la suroscillation et la distorsion de ligne de base pour les temps de transition supérieurs à 2 ns sont inférieurs à 3% ± 10 mV. Pour les temps de transition de 1,5 et 1 ns, la tolérance permise peut augmenter de 5% ± 10 mV.

Pour les générateurs PM 5785:

Amplitude de sortie

- Les amplitudes de sortie ne sont valables que pour une charge de 50 Ohms.
- Sélectionner des sorties bipolaires avec une période de 100 ns à 1 μ s, un temps de transition minimum, tous les potentiomètres d'ajustement en position maximale et décalage de la valeur de référence sur 0 V.
- Mesurer l'amplitude de la forme d'onde de sortie pour les positions du bouton-poussoir de l'atténuateur de 5 V, 2,5 V, 1 V et 0,4 V.

Niveaux des impulsions

- Vérifier le niveau du zéro de décalage des sorties A et B dans les modes de sortie suivants après avoir mis le bouton d'ajustement dans la position maximale:
- Bipolaire 5 V et bipolaire complémentaire 5 V.
- Positif 5 V et positif complémentaire 5 V.
- Négatif 5 V et négatif complémentaire 5 V.

- Régler le bouton de réglage de l'amplitude en position minimale et recontrôler les sorties bipolaire et bipolaire complémentaire.

Décalage de la tension continue

- Tourner les potentiomètres de décalage dans le sens des aiguilles d'une montre dans le sens inverse et mesurer le décalage de base et les niveaux des limiteurs d'impulsions.

SPECIFICATIONS

Section 6



SPECIFICATIONS

Les spécifications avec tolérances sont garanties par le réseau Philips du pays où l'équipement a été acheté. Les chiffres spécifiés sans tolérances sont les valeurs nominales attendues à partir des mesures prises sur un nombre de pièces d'équipement similaires. Les présentes spécifications ne s'appliquent qu'après une période de préchauffage de 30 minutes à une température ambiante de 25°C.

Sécurité

Ces instruments ont été conçus et testés conformément à la classe de sécurité I selon la publication CEI 348, "Règles de sécurité pour les appareils de mesure électroniques" et ont été fournis dans un état sûr. Le manuel présente des informations et des mises en garde qui doivent être respectées pour assurer la sécurité du fonctionnement et pour maintenir les instruments dans un état sûr.

Paramètres de temps

Période de répétition: 8 ns...1 s (1 Hz...125 MHz).
 Retard de l'impulsion: 8 ns...100 ms.
 Durée de l'impulsion: 3,5 ns...100 ms.
 Temps de transition PM 5785: 1 ns \pm 10%, 1,5 ns \pm 10% ou 2 ns \pm 10% correspondant à 10 et 90% des montées et descentes d'impulsion.
 Temps de transition PM 5786: 2 ns \pm 10%, supérieur à 100 ms correspondant à 10 et 90% des montées et descentes d'impulsion.
 Pour le test ECL, les temps de montées et de descentes proviennent de 20% à 80% des transitions. Les valeurs minimums pour les deux unités sont 0,7 et 1,4 ns respectivement.
 0,1% du réglage plus 50 ps.

Les sorties

Sorties: 2 canaux, A et B.
 Amplitude: 0,2 V...0,5 V avec $Z_L = 50 \text{ Ohms}$; double amplitude pour sorties ouvertes, mais limitée à $\pm 6 \text{ V}$.
 Décalage de la tension continue: -2,5 V...+2,5 V avec $Z_L = 50 \text{ Ohms}$; -5 V...+5 V pour sorties ouvertes.
 Tension maxi: l'amplitude max plus le décalage de la tension continue sont une pointe de $\pm 6 \text{ V}$ avec $Z_L = 50 \text{ Ohms}$. Pour les sorties ouvertes une oscillation de 10 V peut être atteinte.
 Distorsion: - PM 5785: Moins de 3% \pm 10 mV pour les temps de transition supérieurs à 1,5 ns. - PM 5786: Moins de 10% \pm 10 mV pour des temps de transition de moins de 5 ns.
 Résistance: 50 Ohms \pm 5%
 Impédance: PM 5785: 50 Ohms \pm 5%. PM 5786: 50 Ohms \pm 10%.
 Protection contre les courts circuits, les circuits ouverts et les transistors: (3000 mA/1 μ s, 600 mA/1 s).
 Impulsion(s) unique(s) (retardable(s) à partir de l'horloge).
 Impulsion(s) double(s).
 Formes d'onde de rapport cyclique 0,5: \pm 1% (1 Hz...1 MHz) \pm 10% (1 MHz...125 MHz)

Polarité: Bipolaire: Formes d'onde complètement positives et négatives.
 Positive: Formes d'onde complètement positives.
 Négative: Formes d'onde complètement positives et négatives.

Commutables; niveaux logiques complémentaires.

Modèles de commande extérieure

Déclenchement: Porte: (versions "B" uniquement)
Save généré intérieurement comprenant 0..999 impulsions, avec sélection sur molettes et initiation par le signal d'entrée extérieure
La commande extérieure de la durée d'impulsion permet d'obtenir des impulsions de même durée et de même période que les signal d'entrée extérieure; tous les autres paramètres étant réglés sur le générateur.

Entrée extérieure

Game: Amplitude du signal: CC..125 MHz, largeur minimale de l'impulsion 3,5 ns.
Couplage: CC.
Impédance d'entrée: 1 MOhm / 25 pF.
Niveau de déclenchement: -3 V...+3 V.
Front de déclenchement: Positif ou négatif.
Indicateur de déclenchement: Diode à trois états; clignote lors du déclenchement.
Tension maximale d'entrée: 260 V_{eff} à 440 Hz, se réduisant à 15 V_{cc} pour 125 MHz.

Sortie de l'horloge

La sortie d'horloge peut être utilisée comme signal de prédéclenchement, les formes d'onde de sortie étant retardées par rapport à l'horloge.
Amplitude: +2,5 V sous 50 Ohms.
Impédance de sortie: 50 Ohms (caractéristique).
Temps de transition: 1 ns environ.
Durée d'impulsion: Formes d'onde de rapport cyclique 0,5: ±1 % (1 Hz...1 MHz)
±10 % (1 MHz...125 MHz)
Protection de sortie: Protection contre courts-circuits, circuits ouverts et transitoires.

Témoins d'erreurs de réglage des paramètres de temps

Les erreurs de réglage du retard, de la durée et pour les générateurs PM 5786, des temps de transition avant et arrière sont indiquées par les diodes témoins d'erreur.

Caractéristiques électriques

Réseau: 100 V, 120 V, 220 V ou 240 V_{eff} ±10%.
Sécurité: 120 VA, 50...60 Hz.
Conforme à CEI 348 et CSA 556B.
Interférence réseau: Au-dessous de VDE 0871 niveau B et de MIL-STD 461 A.

Dimensions maximum

- Hauteur: 145 mm.
- Largeur: 300 mm.
- Profondeur: 470 mm.

Poids

- Net: 9,5 kg.
- Brut: 11,5 kg.

Conditions d'environnement

Les conditions d'environnement indiquées dans le manuel sont fondées sur les procédures de contrôle en usine. Les détails de ces procédures et les critères de défaillance sont fournis sur demande par le réseau Philips de votre pays, ou par Philips, Division Equipements scientifiques et industriels, Eindhoven, Pays-Bas.

Conditions climatiques

- Température ambiante:
 - de service: 0°C...+50°C.
 - de stockage/transport: -40°C...+70°C.

- Humidité relative:
 - de service: 10...90% sans condensation.
 - de stockage/transport: 5...95%.

- Pression barométrique (altitude):
 - de service: 5000 m/ 15000 ft (53,3 kN/m²).
 - de stockage/transport: 15000 m/ 50000 ft (15,2 kN/m²).

Essais mécaniques

- Vibrations: Selon publication CEI 68-2-6 Fc.
- Secousses: Selon publication CEI 68-2-29 Eb.
- Chutes et culbutes: Selon norme Philips UN-D 1400.
- Chocs: Selon MIL-T-28800.

Essais climatiques

- Chaleur sèche constante: Selon publication CEI 68-2-2 Bb.
- Froid constant: Selon publication CEI 68-2-1 Ab.
- Chaleur humide cyclique: Selon publication CEI 68-2-30 Db.

ACCESSOIRES

Accessoires standards

(Livrés avec l'instrument)

- 1 manuel
- 1 cordon d'alimentation
- 1 fusible 800 mA à action retardée
- 1 fusible 1,6 A à action retardée

Accessoires en option

(A commander séparément)

- PM 9581 Terminaison de passage 50 Ohms, 3 W.
- PM 9585 Terminaison de passage 50 Ohms, 1 W.
- PM 9584 Raccord en T 50 Ohms (diviseur équilibré).
- PM 8923 Sonde 120 MHz, 50 Ohms pour connexion à l'entrée extérieure.
- PM 9588 * Câble coaxial 50 Ohms avec retard étalonné.

* Contient les câbles suivants, type RG58A/U avec connecteurs BNC:

| Retard | Longueur |
|--------|---------------|
| 5 off | 1 ns 200 mm |
| 4 off | 2 ns 400 mm |
| 3 off | 3 ns 600 mm |
| 3 off | 10 ns 1980 mm |

