



US00D343799S

United States Patent [19]

[11] Patent Number: **Des. 343,799**

Spinks et al.

[45] Date of Patent: **** Feb. 1, 1994**

[54] **ELECTRONIC MEASURING/MONITORING INSTRUMENT**

[75] Inventors: **Robert G. Spinks**, Twinsburg; **William J. Kasprik**, Berea; **Maria G. Mock**, Bainbridge; **Kenneth A. Reindel**, Broadview Heights, all of Ohio

[73] Assignee: **Keithley Instruments, Inc.**, Cleveland, Ohio

[**] Term: **14 Years**

[21] Appl. No.: **775,257**

[22] Filed: **Oct. 11, 1991**

[52] U.S. Cl. **D10/75**

[58] Field of Search 324/73.1, 115, 156, 324/157; D14/100, 106, 299; D10/46, 71, 75, 76, 91

[56] **References Cited**

U.S. PATENT DOCUMENTS

- D. 251,370 3/1979 Katzmann et al. D10/75 X
- D. 258,360 2/1981 Mourad D14/114
- D. 265,384 7/1982 Kay D10/75
- D. 289,504 4/1987 McCain et al. D10/75 X
- D. 308,645 6/1990 Hughes et al. D10/75

- D. 326,235 5/1992 Bastijanac et al. D10/75
- D. 329,988 10/1992 Burrell et al. D10/75
- 4,107,459 8/1978 Stamper D14/100 X
- 4,660,126 4/1987 Köster et al. 324/156 X

OTHER PUBLICATIONS

Fordham Radio; 1982; p. 65; C-Probe Caracitor Model 0100; Middle Left of Page.

Primary Examiner—Bernard Ansher

Assistant Examiner—Mitchell Siegel

Attorney, Agent, or Firm—Pearne, Gordon, McCoy & Granger

[57] **CLAIM**

The ornamental design for an electronic measuring/monitoring instrument, as shown and described.

DESCRIPTION

FIG. 1 is a top, front and right side isometric view of an electronic measurement/monitoring instrument showing our new design;

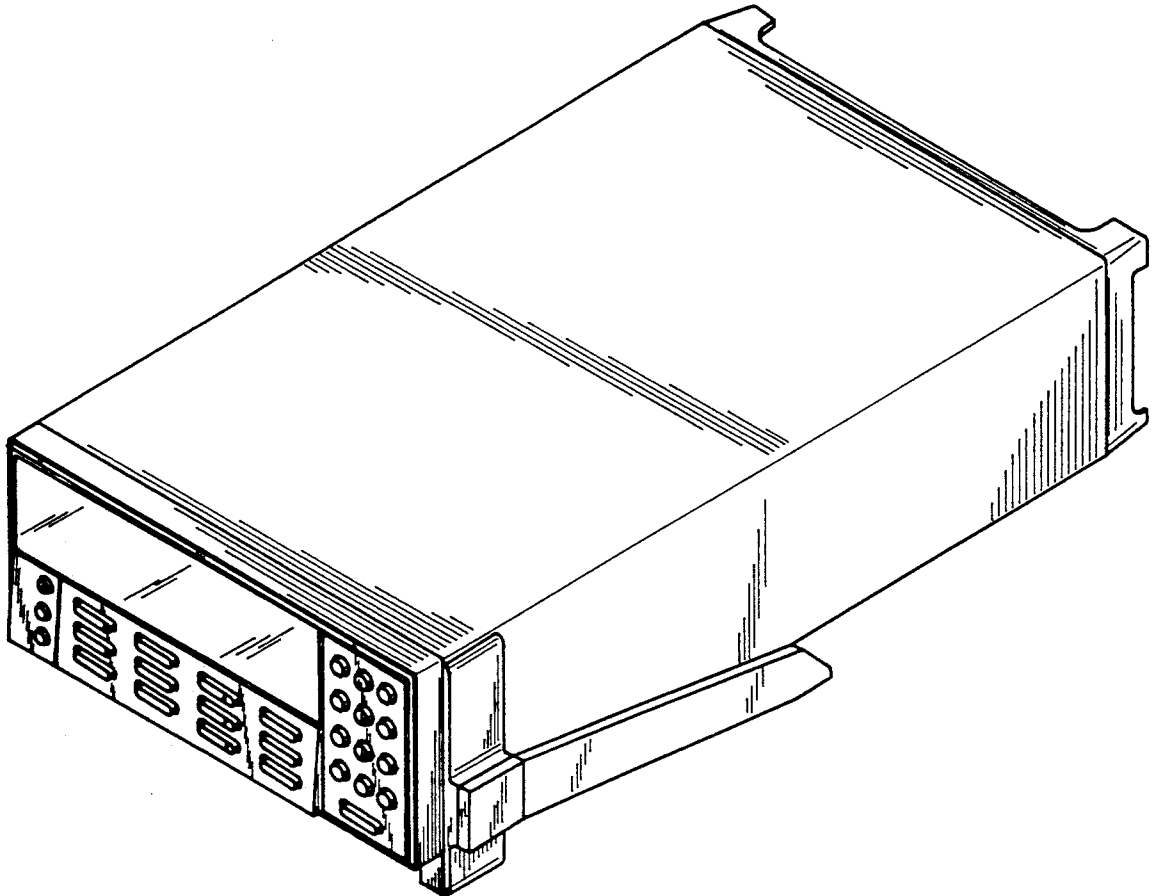
FIG. 2 is a front elevational view thereof;

FIG. 3 is a top plan view thereof;

FIG. 4 is a right side elevational view thereof, the undisclosed opposite side being a mirror image;

FIG. 5 is a rear elevational view thereof; and,

FIG. 6 is a bottom plan view thereof.



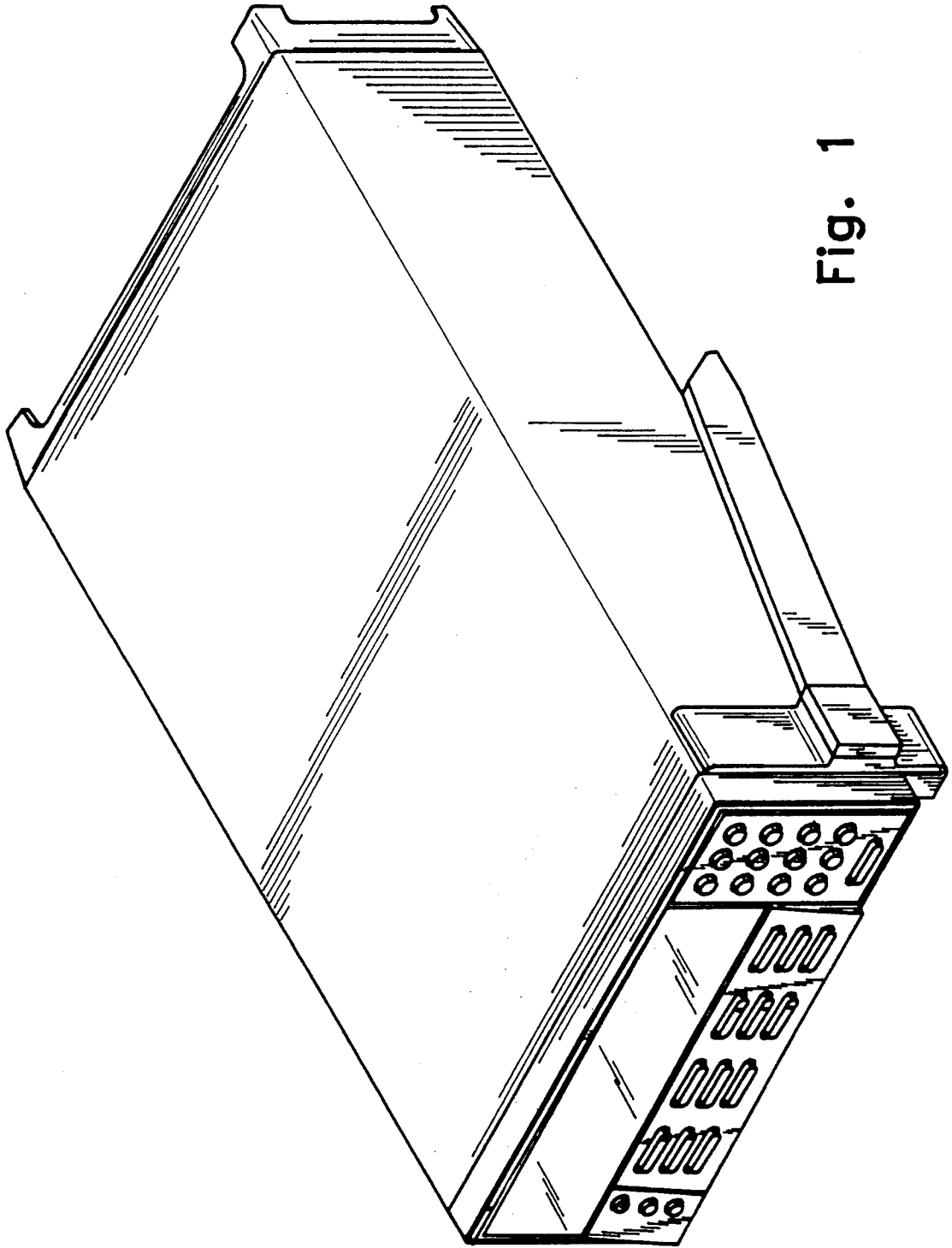


Fig. 1

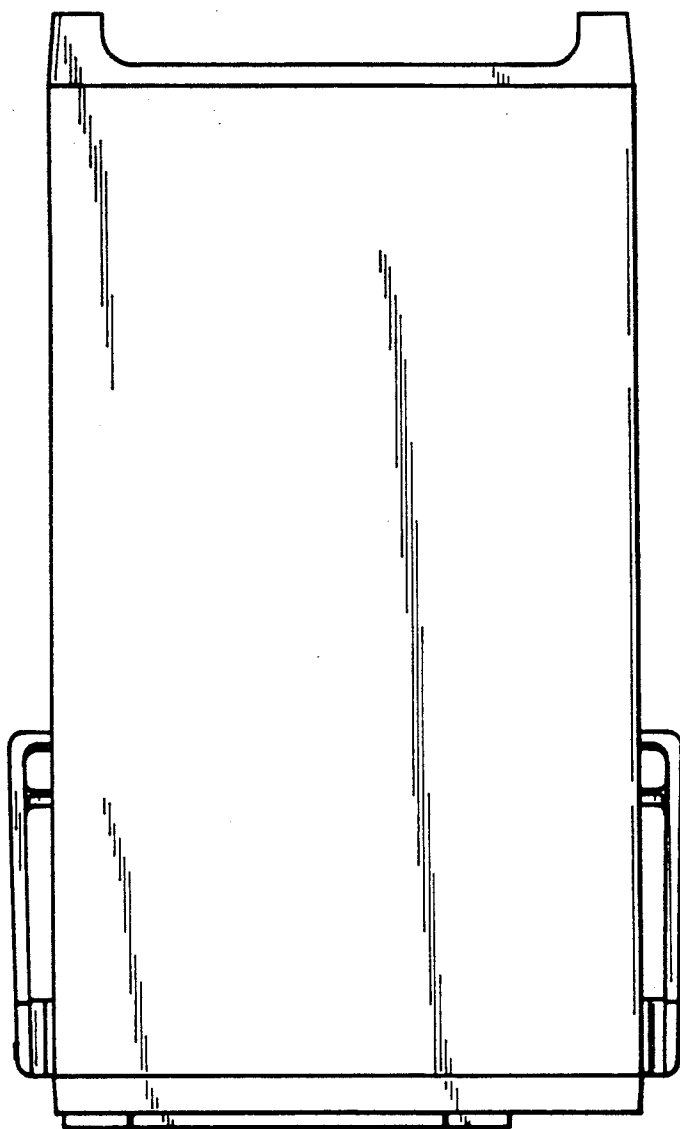


Fig. 3

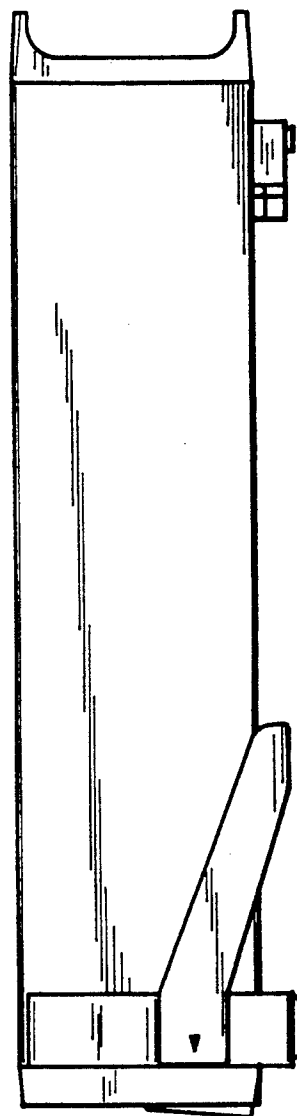


Fig. 4

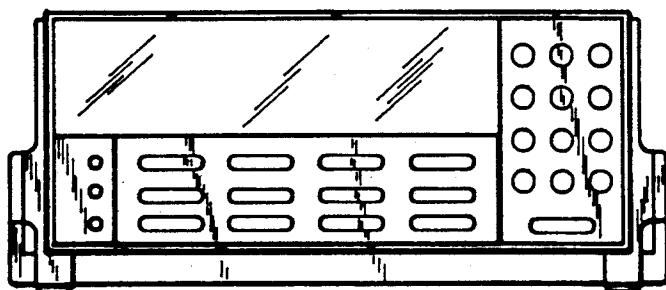


Fig. 2

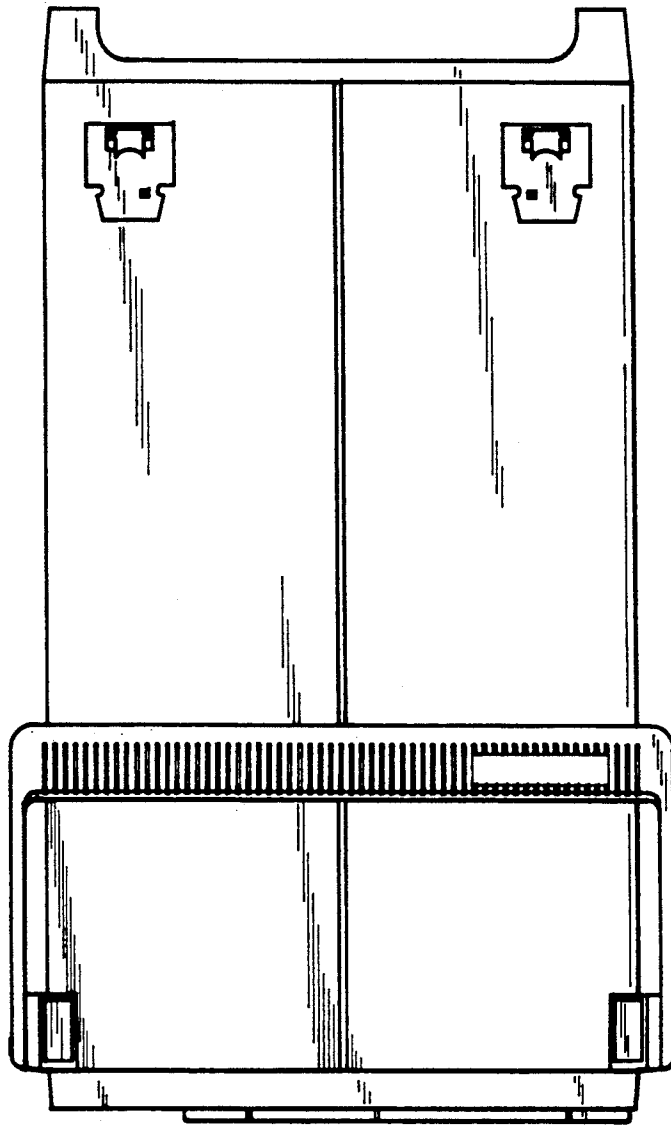


Fig. 6

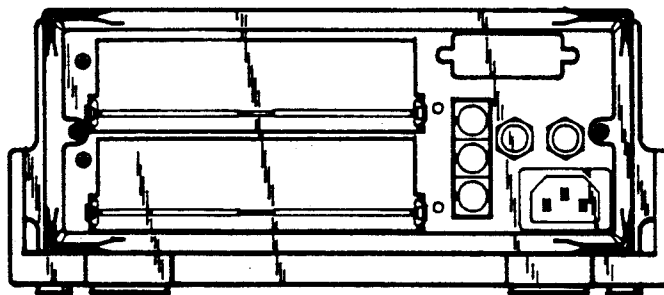


Fig. 5