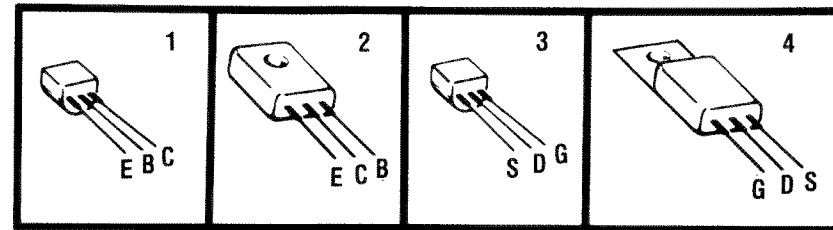


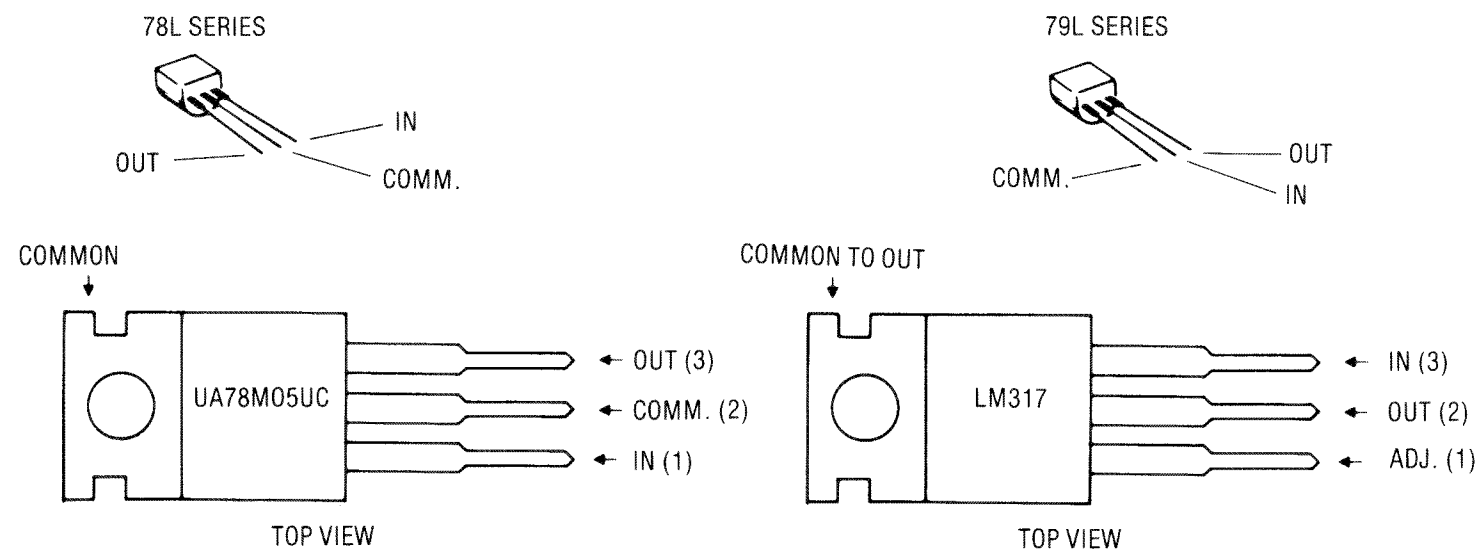
TRANSISTOR SPECIFICATIONS AND BASING DIAGRAMS



Sencore Part No.	Transistor No.	Basing	Polarity	*Beta/GM	Max I _{ceo} /I _{ess}
19A29-1	MJE180	2	NPN	50-250	.1
19A30-1	MJE170	2	PNP	30-180	.1
19A33-1	2N3904	1	NPN	100-300	.05
19G70	2N7000	3	N-Chan	2000-8000	0.0
19G75	MTP8P10	4	P-Chan	2000-15000	0.0

*Tested with the Sencore TF46.

IC REGULATOR PACKAGE DIAGRAMS



NOTES:

- All resistances in ohms.
- All capacitances greater than one are in pF, less than one in uF, unless otherwise indicated.
- Board interconnection notes:
 - denotes a single push-on type connector.
 - denotes wire soldered to PC board.
 - ◇ denotes molex connection. Numbers inside or along side indicate the pin number of the plug-in connector.
- All controls, jacks, and displays on exterior of unit are shown with box around the name:

⚠ WARNING

Avoid damage to parts caused by static electricity!

Most solid-state devices and film resistors are susceptible to damage due to discharge of static electricity. Observe the following precautions when a PC board is removed from the unit, or when handling components.

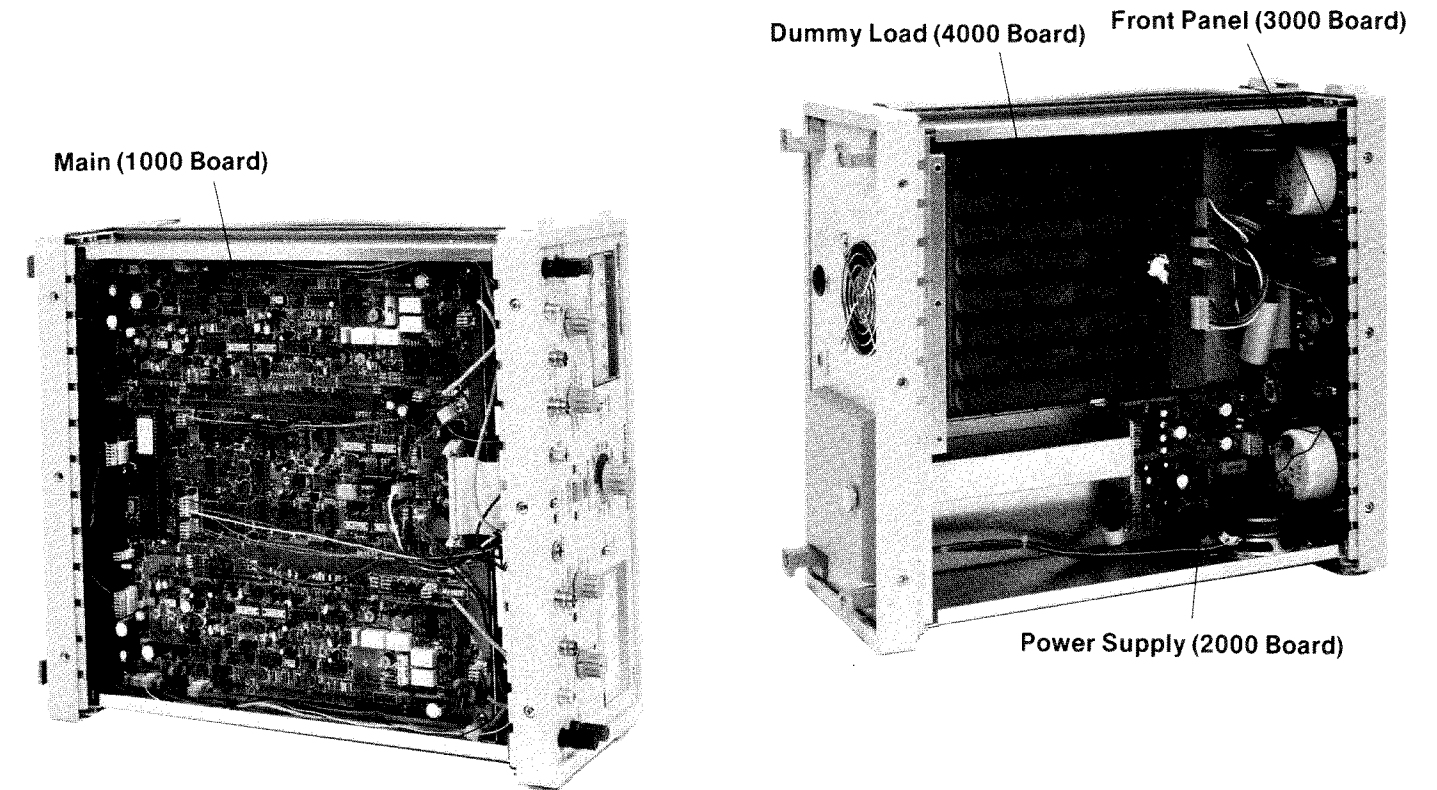
- The person handling the part must be grounded through a 1 megohm resistor via a wrist strap or similar ground connection.
- A PC board or component should never be placed on an insulated surface. The surface must be grounded (through a 1 megohm resistor) and conductive.
- All replacement parts must be left in a completely enclosed, conductive container or package until ready for use. The person removing the part from the container must be properly grounded. All parts susceptible to static damage are shipped in conductive containers when ordered from the Sencore Service Department.

Components not listed are standard replacement parts and may be purchased locally. When ordering parts, please specify instrument model number, schematic reference, part number, and description. Please include remittance (check or money order) with your order, otherwise invoice will be shipped C.O.D. Minimum billing is \$5.00

WATS Free 1-800-843-3338 In Canada 1-800-851-8866
SENCORE *innovatively designed with your time in mind.*
 3200 Sencore Drive
 Sioux Falls, SD 57107
 Call Collect 605-339-0100 In SD

PA81 Audio Power Analyzer

Schematic & Parts List

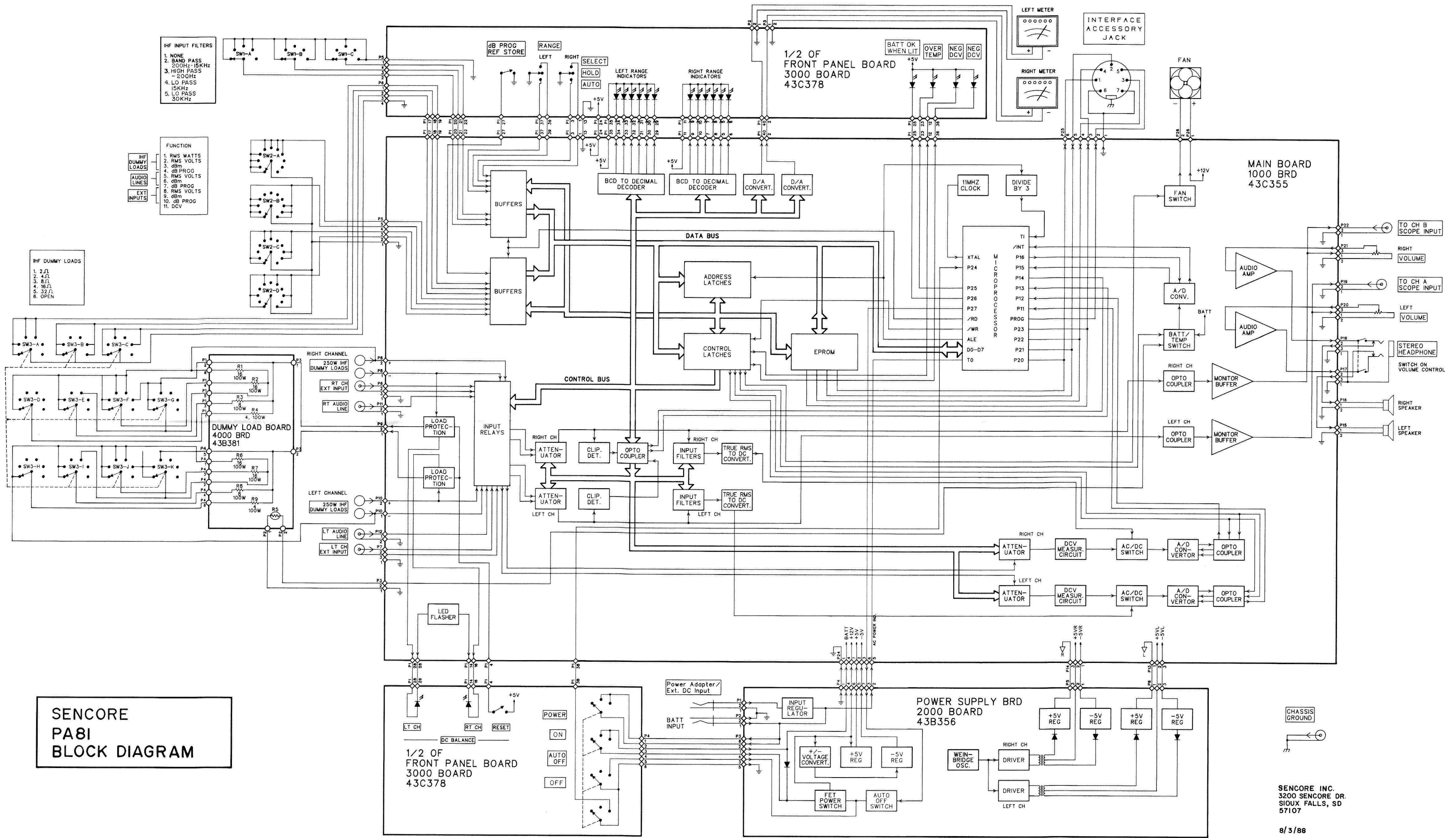


SHEET 1

Index

	Board No.	See Sheet #
This sheet includes parts list & block diagram.	1000	2
	2000	2
	3000	3

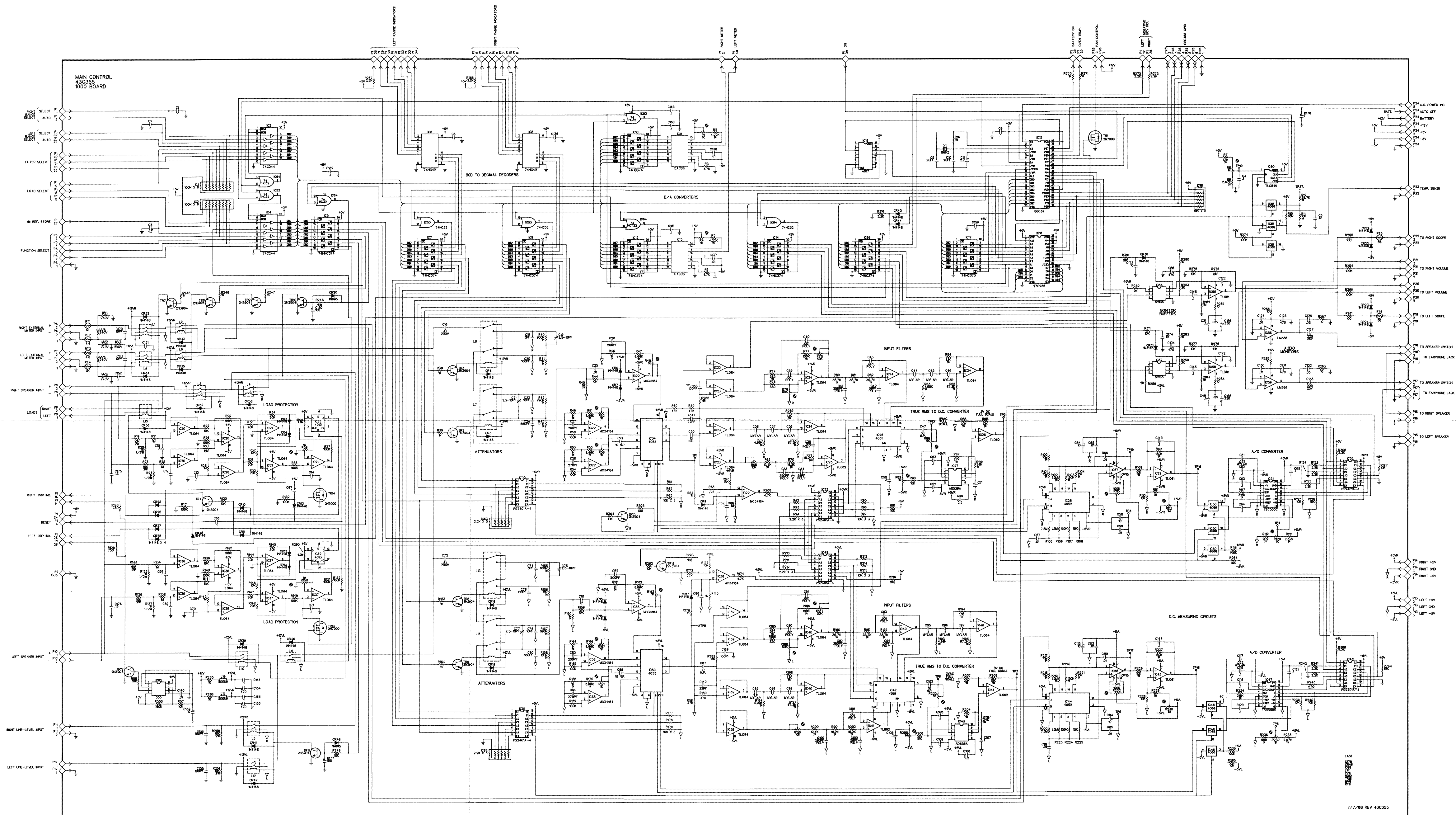
WATS Free 1-800-843-3338 In Canada 1-800-851-8866
SENCORE *innovatively designed with your time in mind.*
 3200 Sencore Drive
 Sioux Falls, SD 57107
 Call Collect 605-339-0100 In SD



PA81 Block Diagram

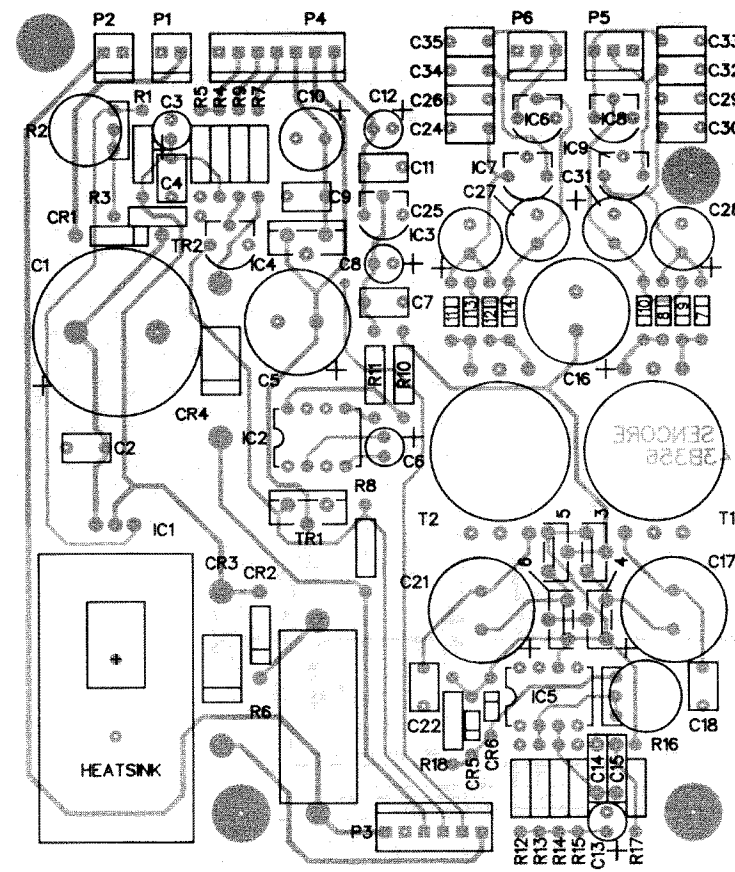
SENCORE INC.
 3200 SENCORE DR.
 SIOUX FALLS, SD
 57107

8/3/88



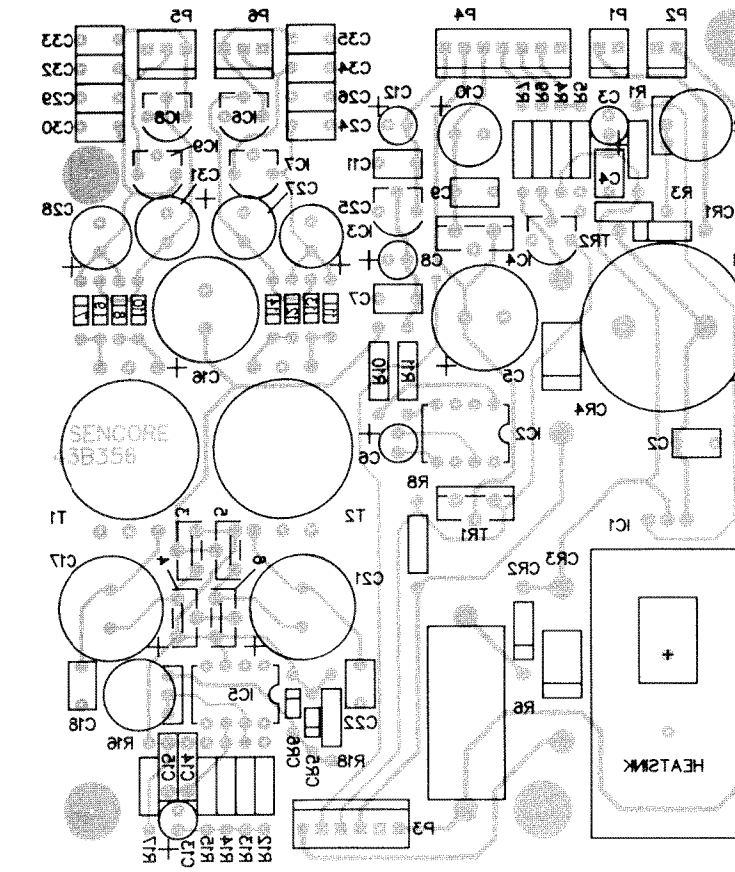
1000 Main Board Schematic

SC43B356

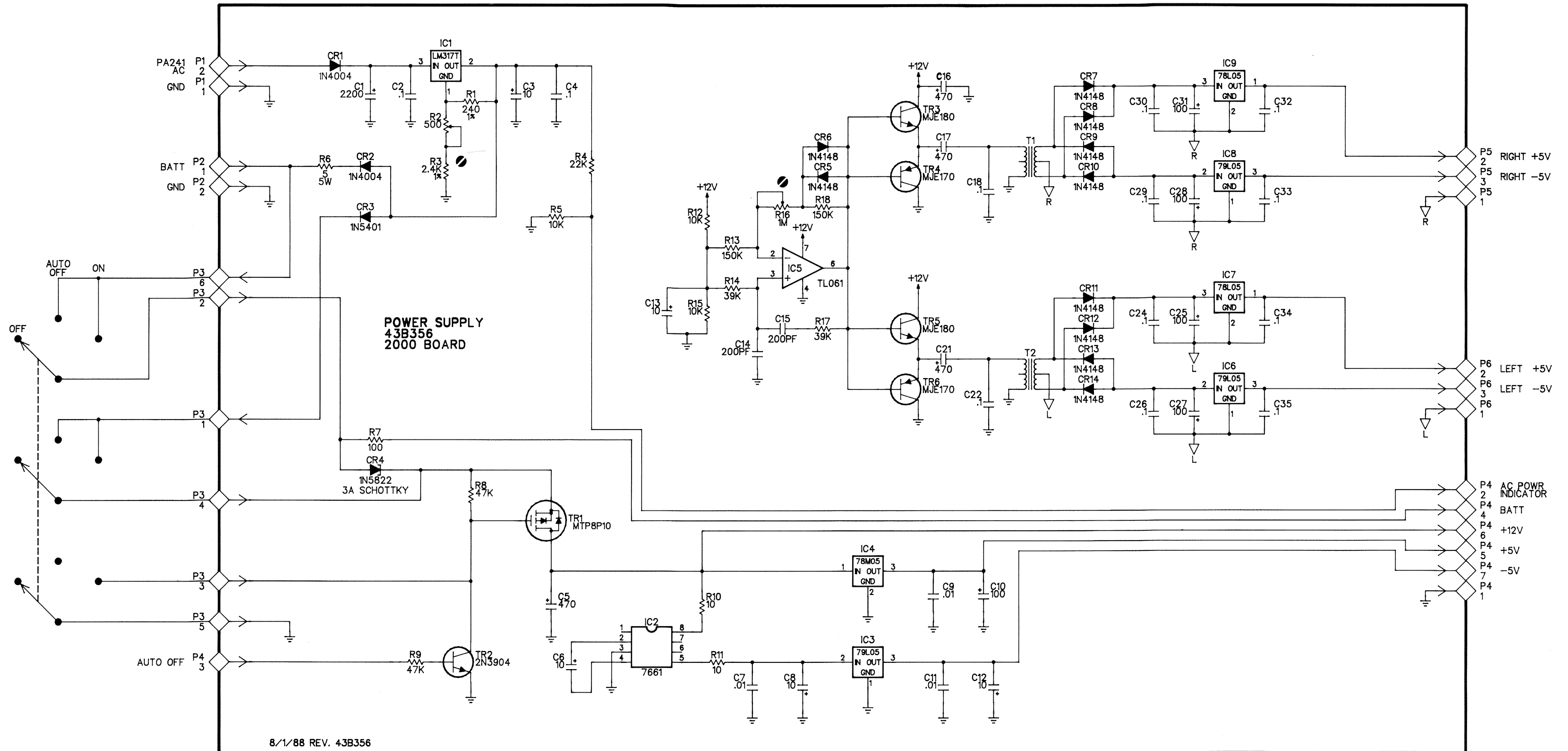


2000 Power Supply Board Component View

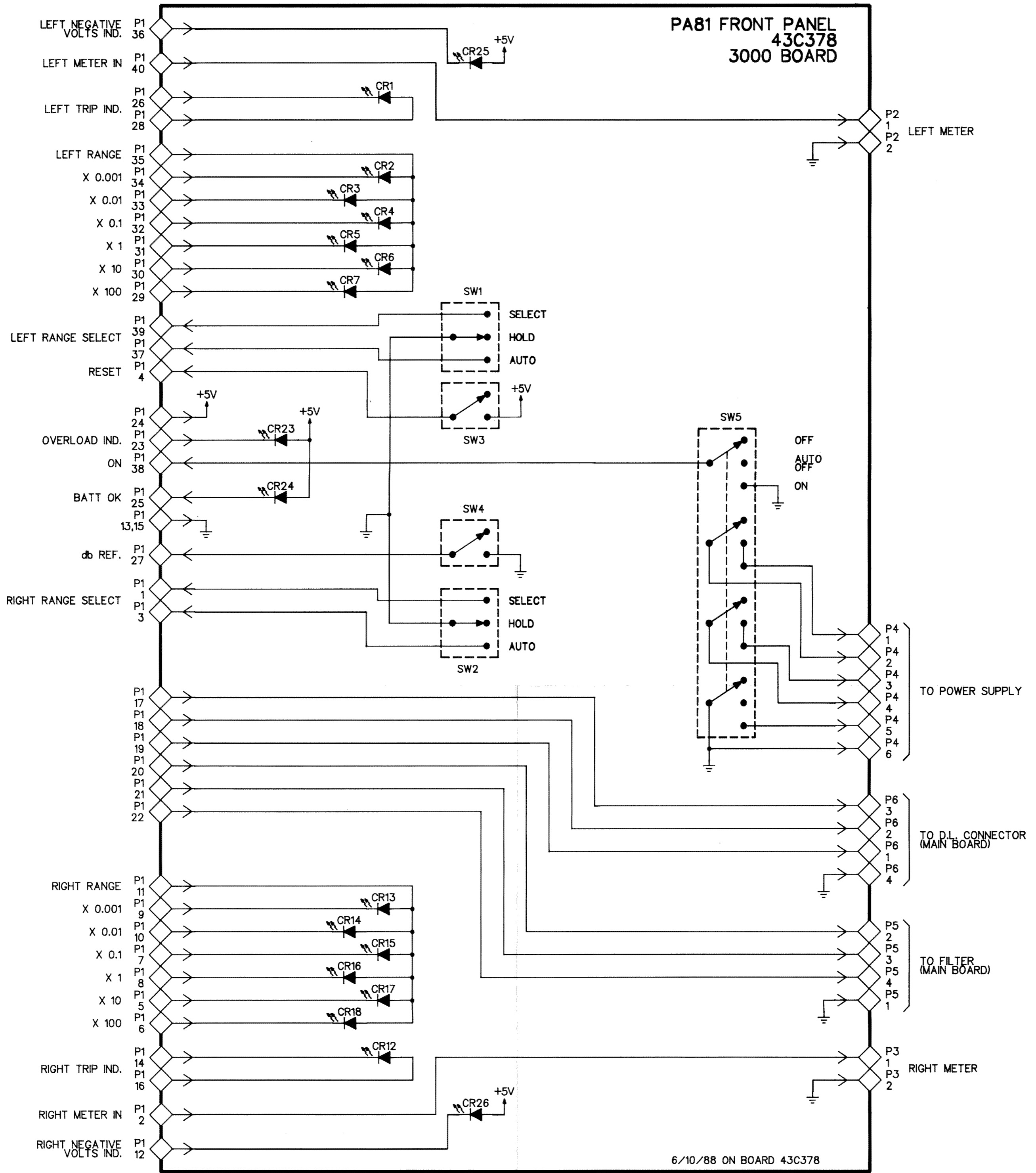
2C43B356




2000 Power Supply Board Foil View



2000 Power Supply Board Schematic

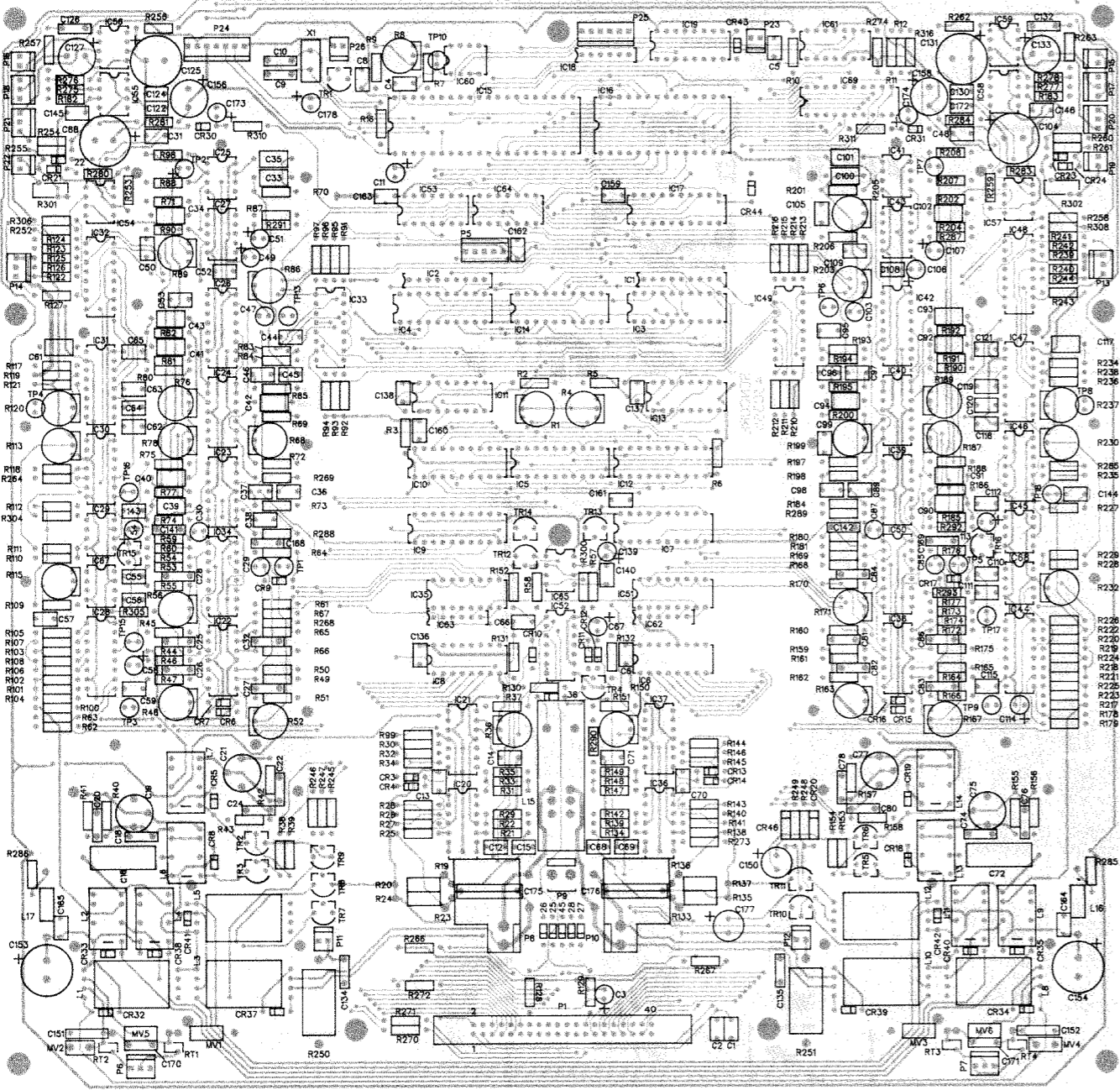


3000 Front Panel Board Schematic

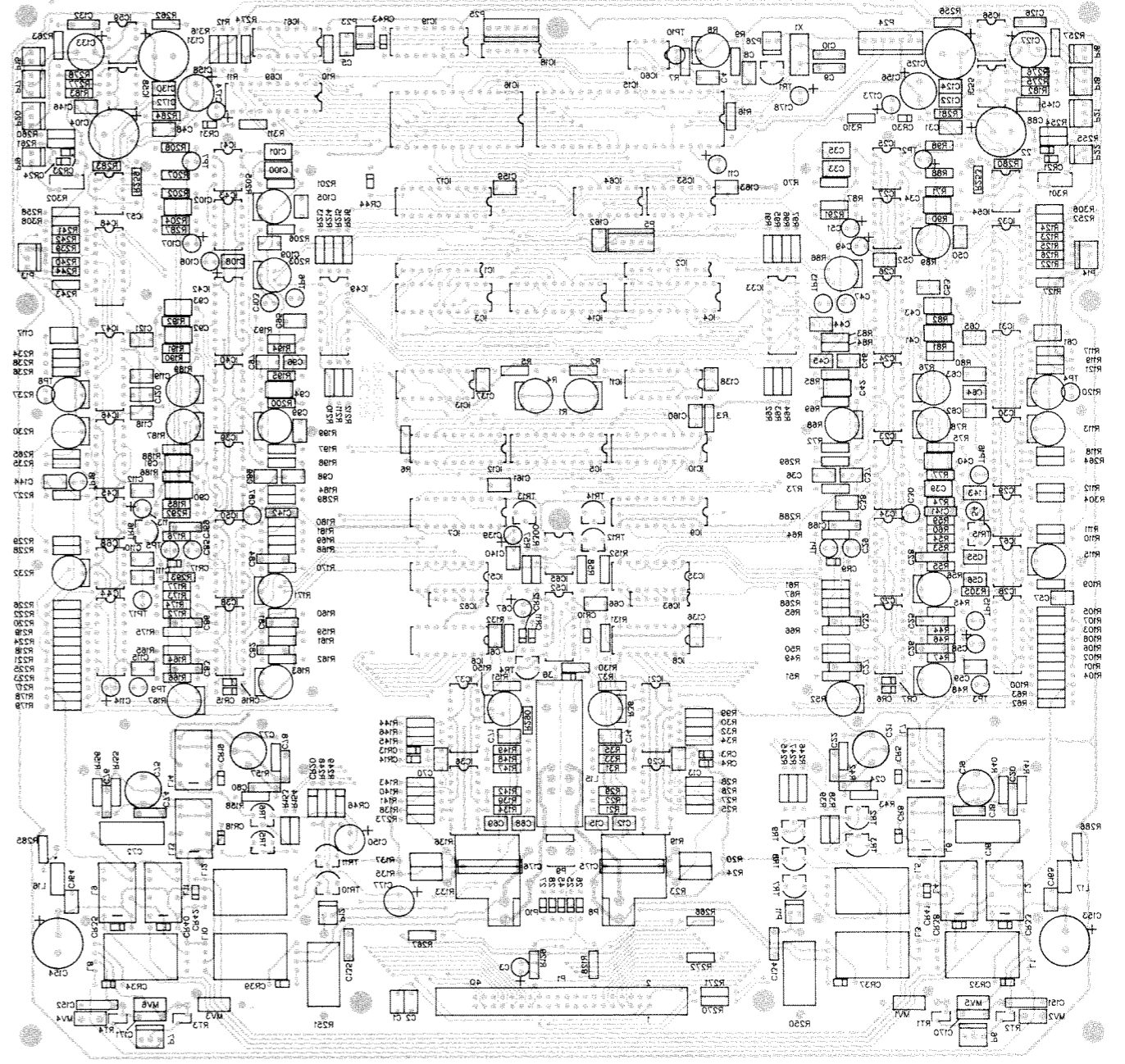

WATS Free 1-800-843-3338 In Canada 1-800-851-8866
SENCORE *innovatively designed*
 3200 Sencore Drive *with your time in mind.*
 Sioux Falls, SD 57107
 Call Collect 605-339-0100 In SD

SHEET 3

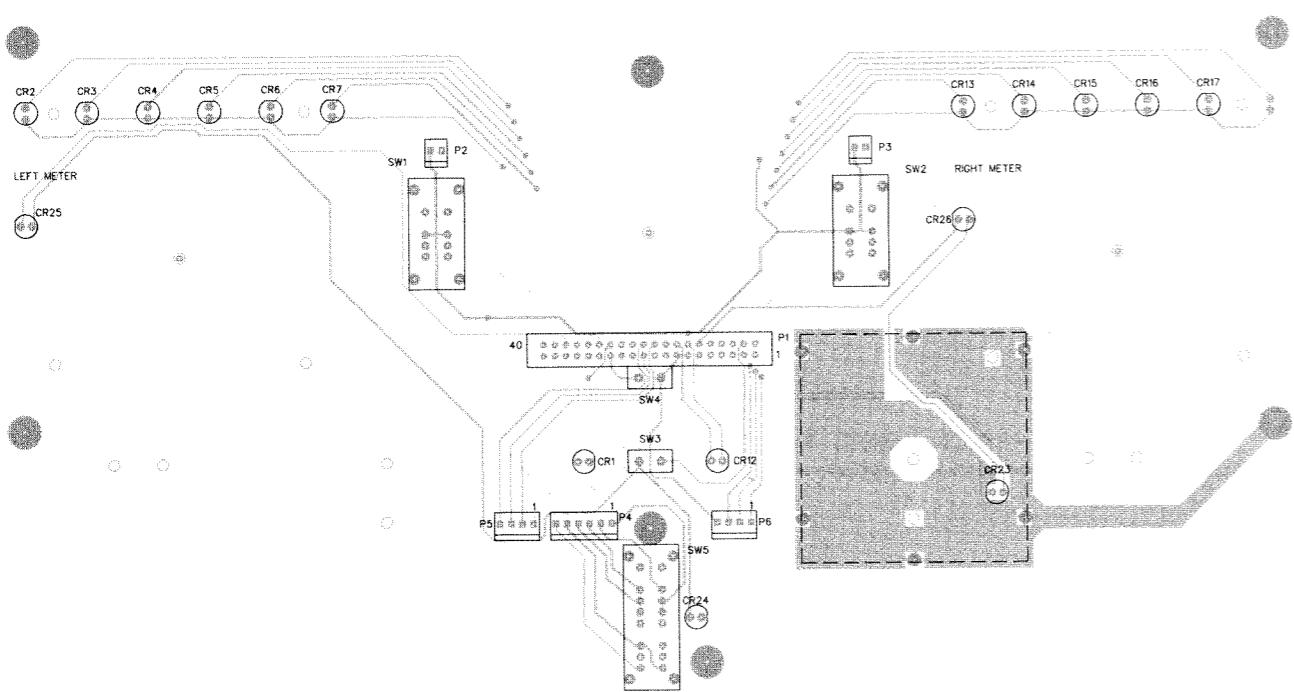
This sheet includes 1000 and 3000 board PC layouts and 3000 board schematic.



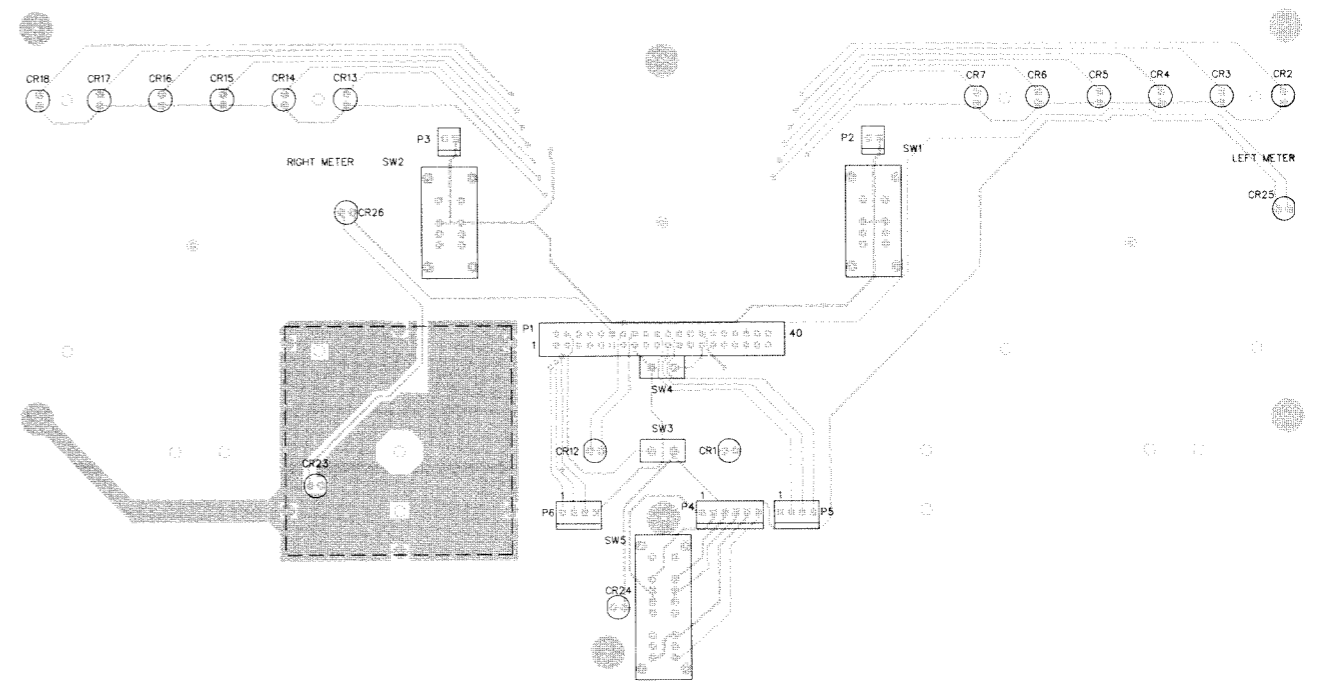
1000 Main Board Component View



1000 Main Board Foil View



3000 Front Panel Component View



3000 Front Panel Foil View