

This Manual is provided by
CBTricks.com

Someone who wanted to help you repair your equipment put together this information.

Sencore TF26 Cricket Parts List Layout
If you would like to help us put more manuals online support us.

If you would like to help with this project let us know.
Supporters of CBTricks.com paid for the hosting so you would have this file.

CBTricks.com is a non-commercial personal website was created to help promote the exchange of service, modification, technically oriented information, and historical information aimed at the Citizens Band, GMRS (CB "A" Band), MURS, Amateur Radios and RF Amps.

CBTricks.com is not sponsored by or connected to any Retailer, Radio, Antenna Manufacturer or Amp Manufacturer, or affiliated with any site links shown in the links database. The use of product or company names on my web site is not endorsement of that product or company.

If your company would like to provide technical information to be featured on this site I will put up on the site as long as I can do it in a non-commercial way.

The site is supported with donation from users, friends and selling of the Galaxy Service Manual CD to cover some of the costs of having this website on the Internet instead of relying on banner ads, pop-up ads, commercial links, etc. Thus I do not accept advertising banners or pop-up/pop-under advertising or other marketing/sales links or gimmicks on my website.

ALL the money from donations is used for CBTricks.com I didn't do all the work to make money (I have a day job). This work was not done for someone else to make money also, for example the ebay CD sellers.

All Trademarks, Logos, and Brand Names are the property of their respective owners.
This information is not provided by, or affiliated in any way with any radio or antenna Manufacturers.

Thank you for any support you can give.

SCHEMATIC AND PARTS LIST SENCORE TF26

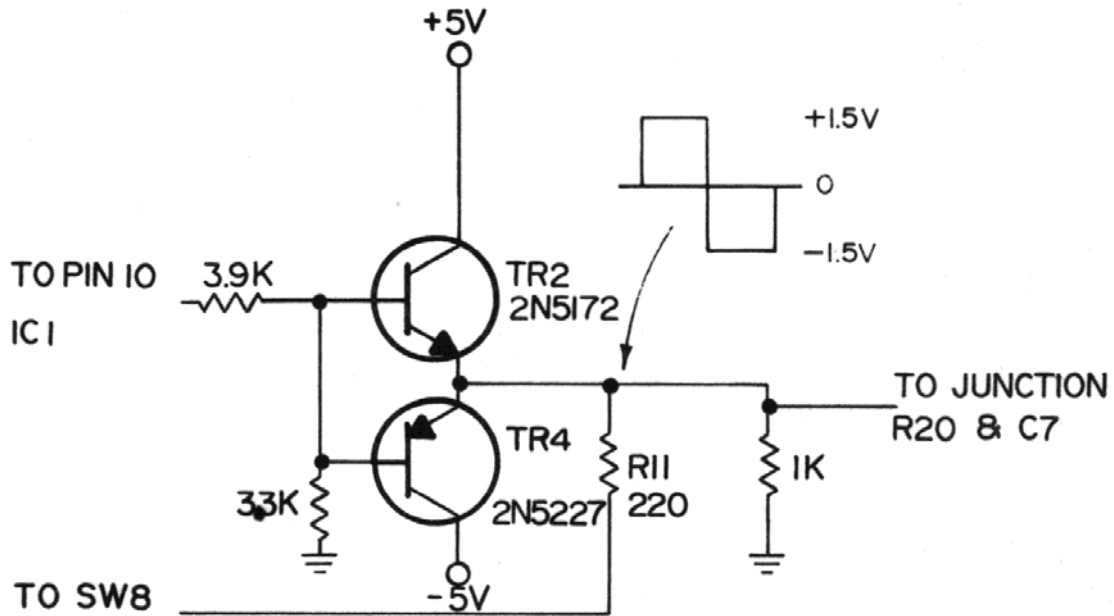


SENCORE

3200 SENCORE DRIVE, SIOUX FALLS, SOUTH DAKOTA 57107

TF26 SCHEMATIC ADDENDUM

The circuit for the TF26 Touch Tone Cricket has been revised to yield a more precise square wave output from the oscillator. TR2, R11, R12, R13, R14, and R15 have been replaced with the components shown in the schematic below. This partial schematic is to replace the section of Form 860 that includes the parts listed.



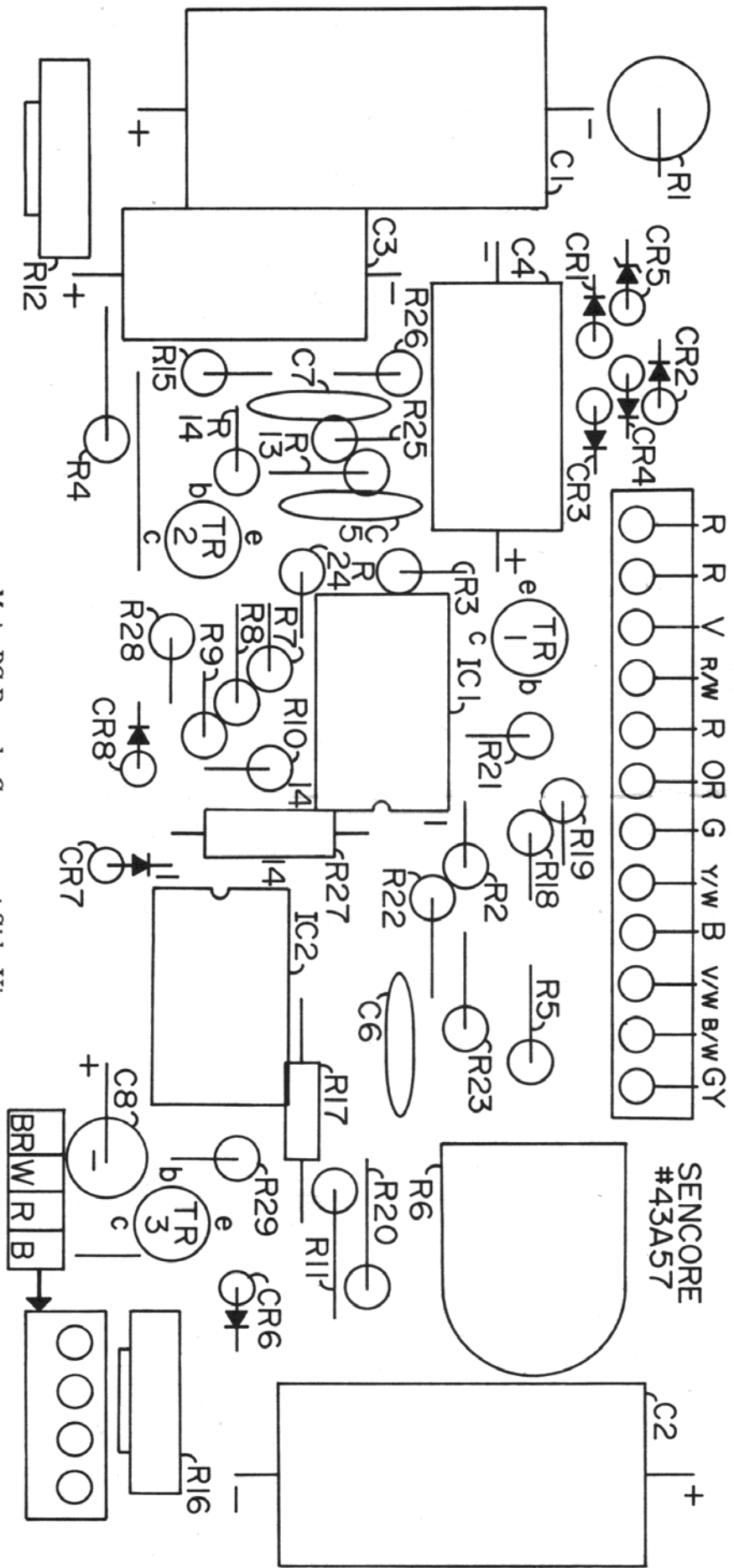
TF26 PARTS LIST

SCHEMATIC REF. NO.	PART NO.	DESCRIPTION	PRICE
CR1,2,3,4 6,7,8, CR5,9	50C5-2	Diode, 1N4148	.25
	50C4-13	Diode, Zener, 5.1v, 5% 1w	.50
IC1	69G9	I.C. LM3900, Quad Op Amp	2.50
IC2	69G10	I.C. SN7400, Quad AND I.C.	1.25
J1	26G185	Socket	1.25
LS1	48G2	Speaker, 2"	7.25
M1	23C49-A	Meter, 100uA, 1900 Ohms	20.00
SW1-6	25A186	Switch, Pushbutton 4P2P	3.25
SW7	25G187	Switch, Slide 3P2P	1.00
SW8	25G185	Switch, Slide 4P2P	1.25
SW9	25G3	Switch, Slide 2P2P	.50
T1	28B56	Transformer	3.50
TR2,3	19A4-1	Transistor, 2N5172	.50
	110C293	Case Wrap Riveted Assy.	5.50
	110B294	Meter Door Riveted Assy.	1.50
	110A295	Lead Storage Door Rivet Assy.	1.50
	108B84	Front Panel Riveted Assy.	10.00
	8B84-C	Front Panel	2.50
	139G70	Test Lead Assembly.	7.50
	68G12R	Probe EZ Hook, Red w/Gray Lead	2.25
	68G12Y	Probe EZ Hook, Yellow w/Gray Lead	2.25
	68G12G	Probe EZ Hook, Green w/Gray Lead	2.25

143A57	Main P.C. Board Assy.	27.25
143A58-1	Pushbutton P.C. Board Assy. (Top)	7.75
143A58-2	Pushbutton P.C. Board Assy. (Bottom)	7.75
110B296	Case Bottom Assembly	4.50
21A44	Glamour Cap, Slide Switch	.25
21A58	Pushbutton	.25

Prices in effect at date of printing and are subject to change without notice.

When ordering parts, please specify model number, part number and description. Service and parts invoices are C.O.D. Please include remittance (check or money order) with your order to save C.O.D. charges. Minimum billing \$3.00.



Main PC Board - Component Side View

BOARD LEGENDS

Main PC Board - Foil Side View

