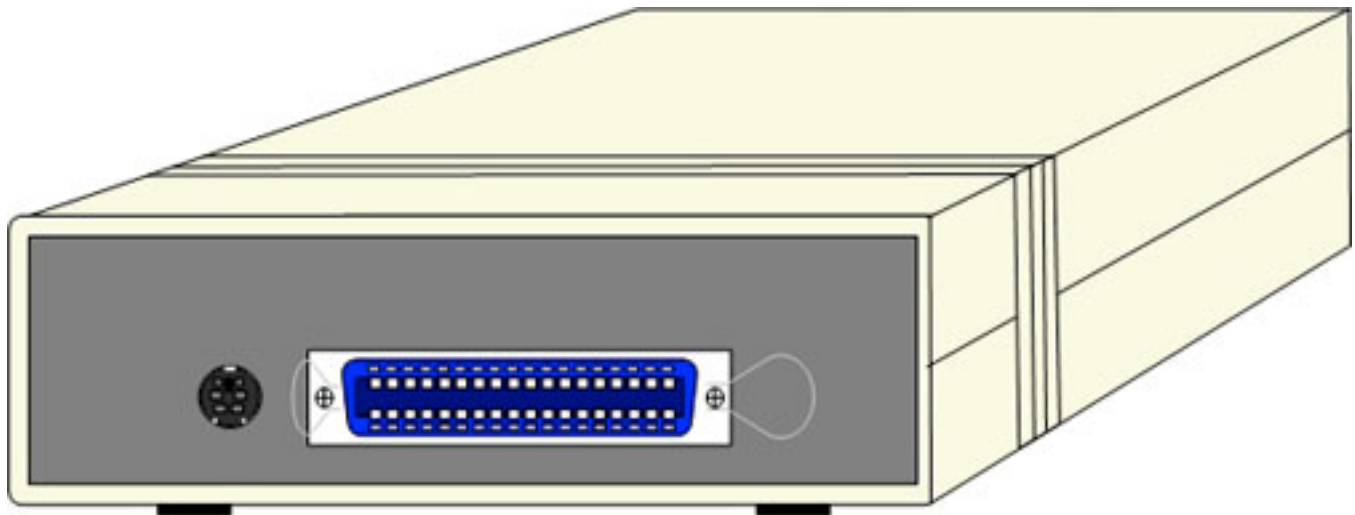


SENCORE[®]*Means Success In Electronic Servicing***tech**
tips

New Chipper Check – RCA / Sencore Part Numbers and Circuit Board Diagram

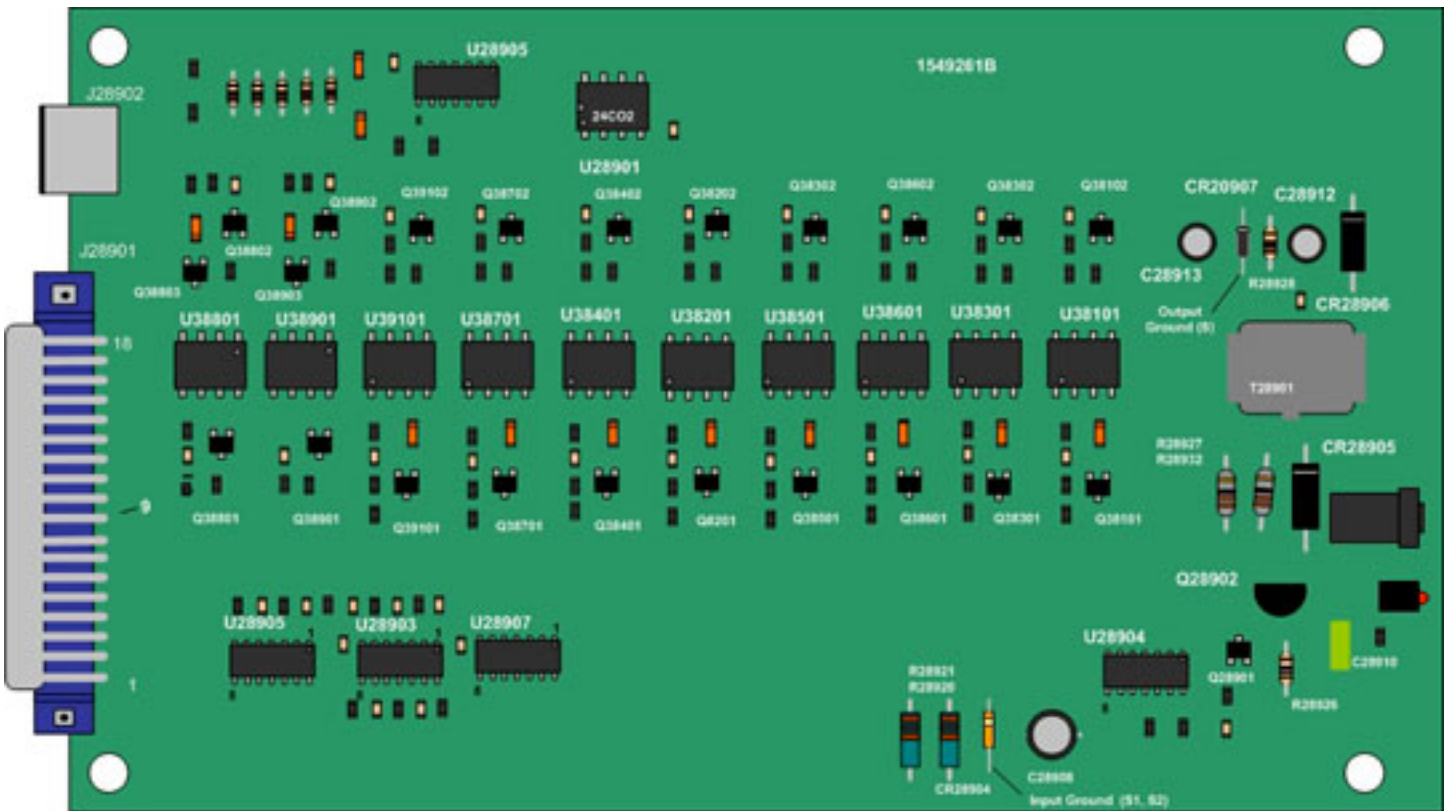


New Chipper Check Interface Box – Part # CC1

<u>Chipper Check Item</u>	<u>RCA Part #</u>	<u>Sencore Part#</u>
Power Adapter	52325	CCPS1-CS
Parallel Cable	unknown	CCPC1-CS
Serial Cable	212118	CCSC1-CS
Adapter	212121	CCAB2121-CS
Adapter	212117	CCAB2117-CS
Adapter	253684 (363)	CCAB3684-CS
Adapter	253685 (370)	CCAB3685-CS

Common Replacement Parts:

D sub. 36 pin connector (J28901)	26G1366-TM
Connector Din (J28902)	26G1367-TM
IC M24C02 (U28901)	69G1813-TM
IC Photocoupler (6N136)	69G1810-TM
DC Input Jack (J28903)	26G1401-TO
Transformer (T28901)	28G2125-TM
Transistor MPSW01A (Q28902)	19G270-TM
IC 74H126A (U28905)	69G1344
Transistors NPN (BC847B)	19G269-TM
IC 74LS14 (U28903, U28906)	69G1814-TM
IC 74LS04 (U28907)	69G1815-TM
IC 74HC04 (U28904)	69G465



New Chipper Check Hardware – Circuit Board Components

*For More Information
Call Toll Free 1-800-SENCORE
(1-800-736-2673)*

SENCORE

3200 Sencore Drive, Sioux Falls, SD 57107
www.sencore.com

#CC3
#CC3