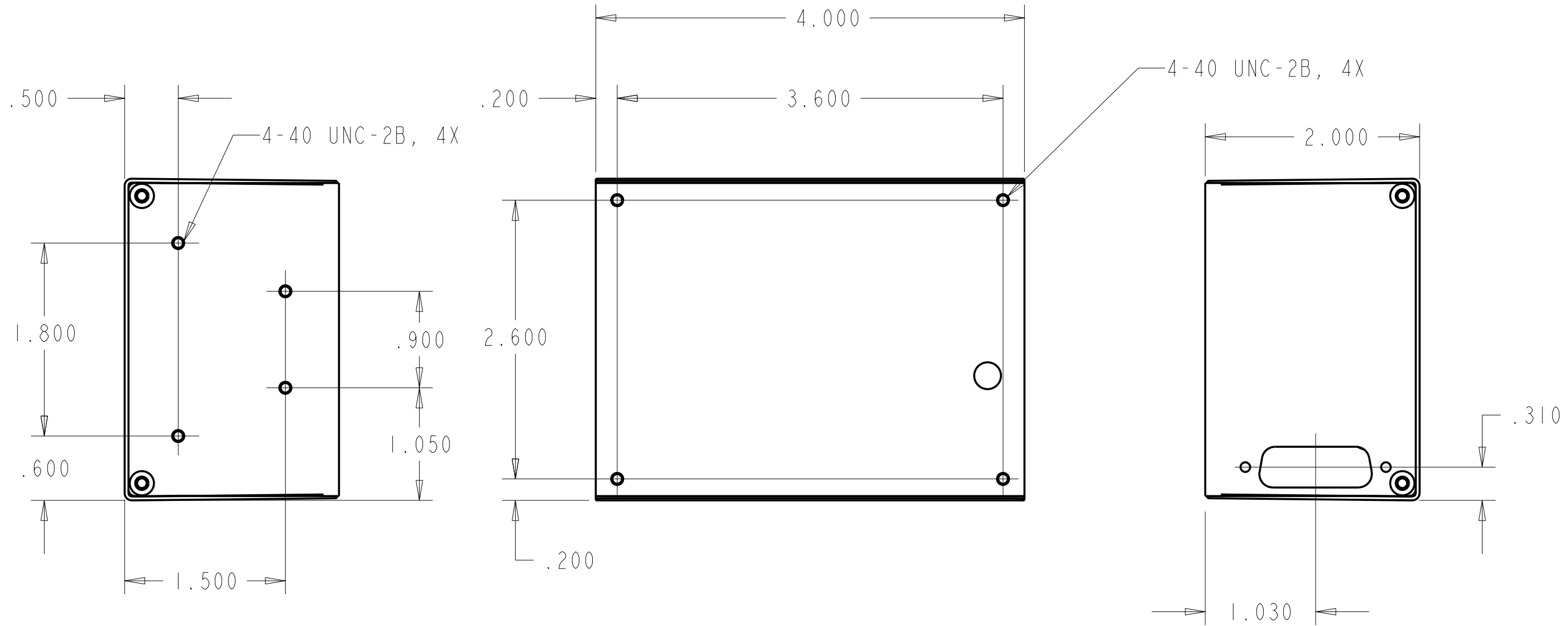



www.thinkSRS.com

REVISIONS			
REV	DESCRIPTION	DATE	APPROVED



MATERIAL	UNLESS OTHERWISE SPECIFIED, DIMENSIONS ARE IN INCHES.		 STANFORD RESEARCH SYSTEMS, INC. 1290-D Reamwood Avenue, Sunnyvale CA 94089		
	FINISH	TOLERANCES: .X ± .XX ± .XXX ± ANGLE ±		DRAWING TITLE: PRSI0 OUTLINE	
ENG BY/DATE		SIZE	PRO/E FILENAME:	SRS PART NO.	REV
DWN BY/DATE	B				
NEXT ASSY	USED ON	DO NOT SCALE DRAWING	13-Aug-03	SCALE: 1.00	SHEET: 1 OF 1